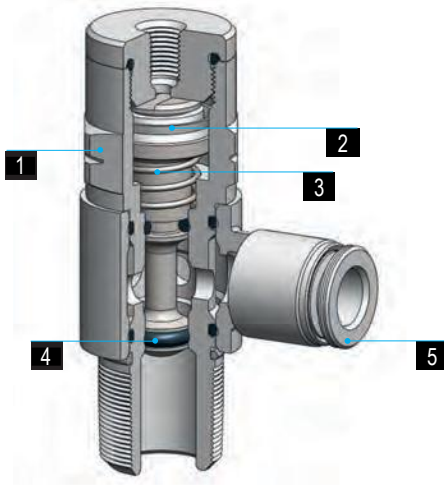
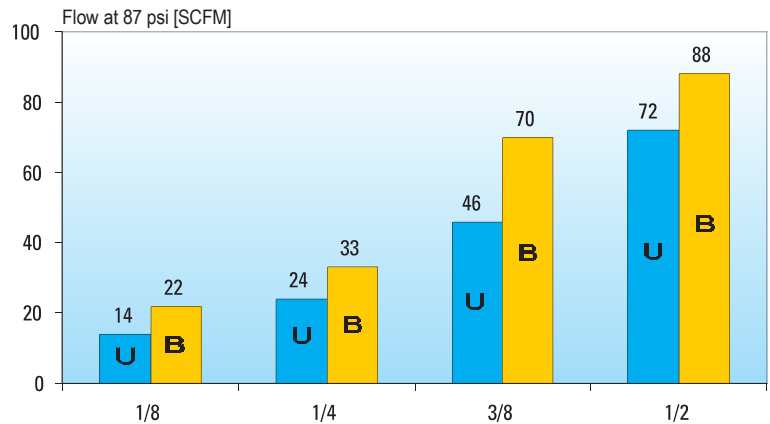
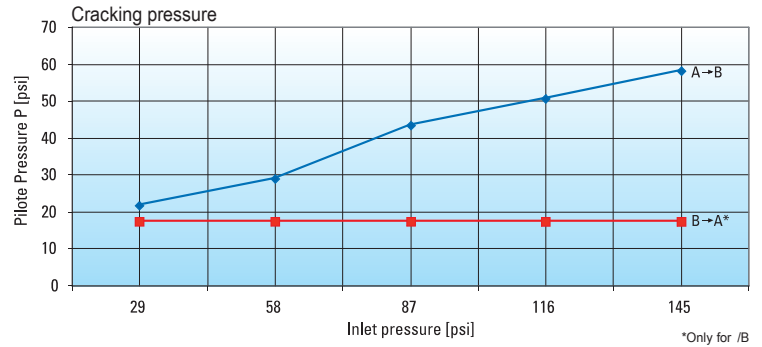


1	2	3	4	5
Body	Piston	Spring	Seals	Push-in fittings
Brass UNI EN 12164 CW614N Nickel plated	Stainless Steel AISI 304	Stainless Steel AISI 302	NBR-PU	PN line push-in fittings



The banjo ring swivels also after flow control installation.



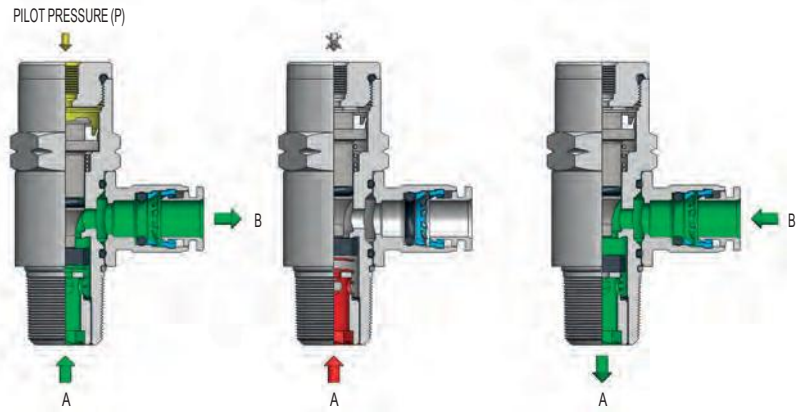
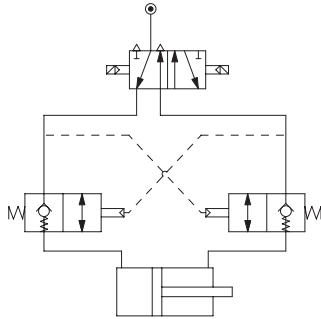
PILOT OPERATED CHECK VALVE

The Pilot Operated check valve allows the flow only when a pilot signal is applied to the pilot port; if assembled in pair on the cylinder ports, in case of sudden pressure drops the pilot Operated Check Valve immediately stops the cylinder piston stroke.

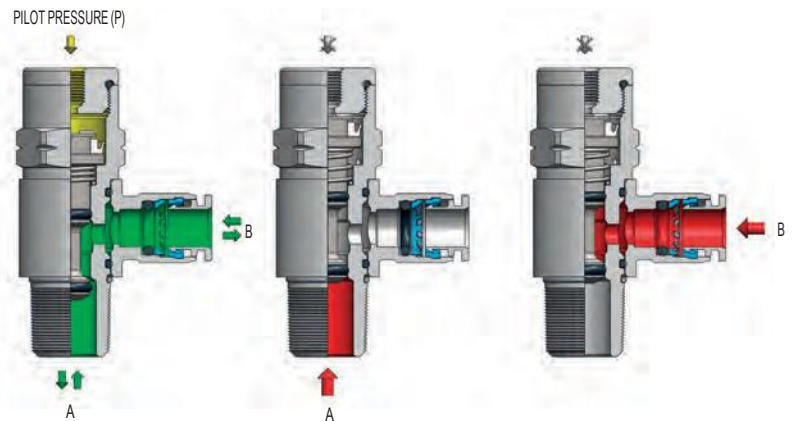
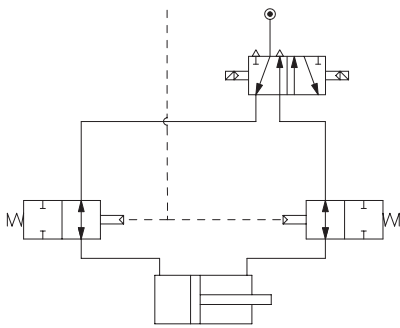
DATA SHEET

Recommended tubings:
according to the fitting connected to the stop valve.
Working Temperature:
from 23 °F up to 158 °F
Working Pressure:
from 29 psi up to 145 psi
Application field:
pneumatic circuits fed with filtered, lubricated air.

/U = One Way

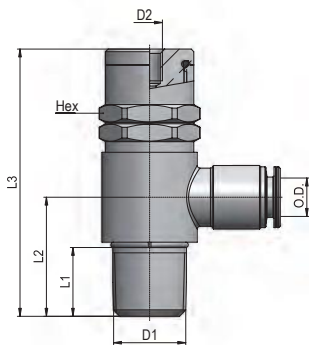


/B = Bidirectional



PV 45

Piloted Operated Check valve

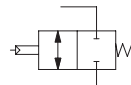
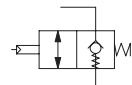


Part Number	Tube OD	D1 NPTF	D2	L1	L2	L3	HEX (mm)	oz Δ
45 1/4 1/8	1/4	1/8	10-32	.331	.669	1.744	13	1.436
45 1/4 1/4	1/4	1/4	10-32	.512	.846	1.988	17	2.529
45 3/8 3/8	3/8	3/8	1/8	.512	.984	2.303	20	4.183
45 1/2 1/2	1/2	1/2	1/8	.669	1.209	2.665	25	6.998

Available as:

.../U = One way

.../B = Bidirectional



To tighten threads, please check out our tightening torque chart illustrated at page 4.

