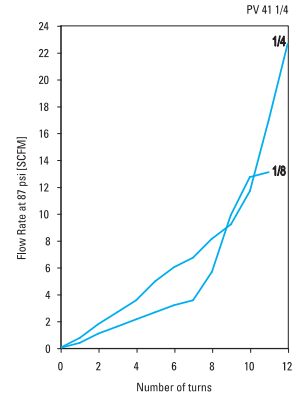
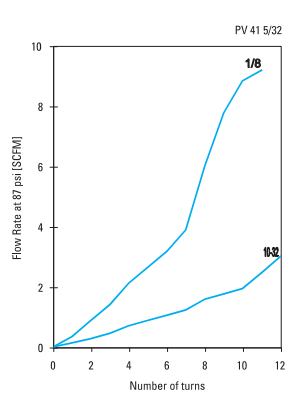
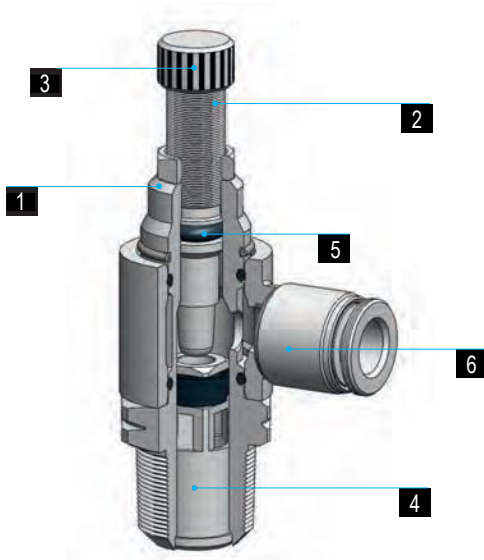


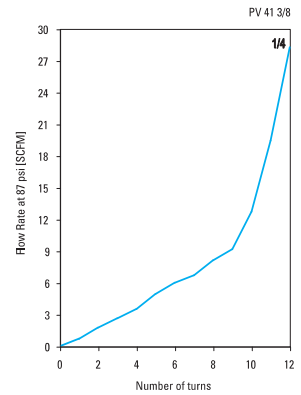
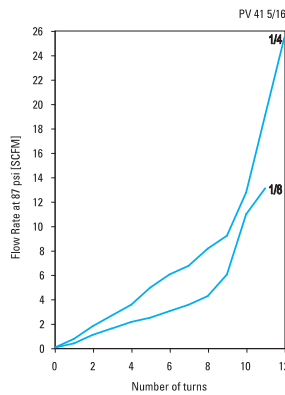
1	2	3	4	5	6
Body	Needle	Handwheel	Cartridge	Seals	Push-in fittings
Brass UNI EN 12164 CW614N Nickel plated				NBR	PN line push-in fittings



The banjo ring swivels also after flow control installation.

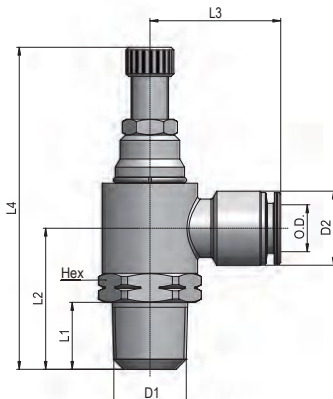
DATA SHEET

Recommended tubings:
PA 6, PA 11, PA 12, Polyethylene, Polyurethane
(95 durometer or above)
Working Temperature:
from 32 °F up to 158 °F
Working Pressure:
from 0 up to 145 psi
Application field:
pneumatic installations fed with filtered, lubricated air.



PV 41

Flow Control with brass swivelling push-in fitting and handwheel adjustment



Part Number	Tube OD	D1 UNF	D2	L1	L2	L3	L4	HEX (mm)	oz
41 5/32 10-32	5/32	10-32	.374	.197	.531	.728	1.594	6	-

Part Number	Tube OD	D1 NPTF	D2	L1	L2	L3	L4	HEX	oz
41 5/32 1/8	5/32	1/8	.374	.335	.848	.807	2.047	9/16	-
41 1/4 1/8	1/4	1/8	.472	.335	.848	.886	2.047	9/16	1.340
41 1/4 1/4	1/4	1/4	.472	.512	1.059	.945	2.421	11/16	2.346
41 5/16 1/8	5/16	1/8	.551	.335	.848	.906	2.047	9/16	-
41 5/16 1/4	5/16	1/4	.551	.512	1.059	.965	2.421	11/16	2.363
41 3/8 1/4	3/8	1/4	.630	.52	1.059	1.024	2.421	11/16	2.469

Available as:

.../C = Meter Out

.../V = Meter In

.../B = Bidirectional

