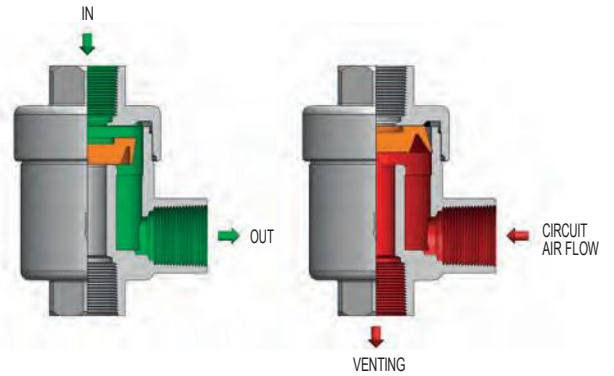
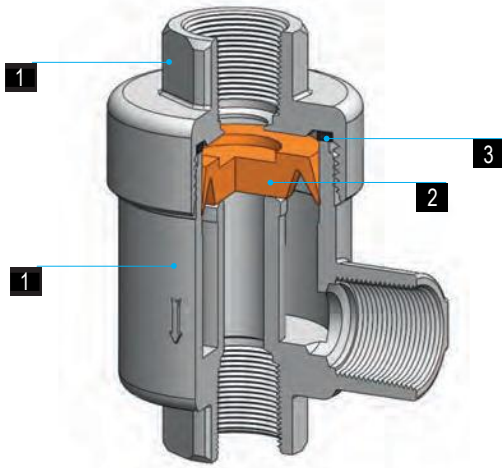


|   |                      |        |
|---|----------------------|--------|
| 1                                       | 2                    | 3      |
| Body                                    | Lip ring             | Gasket |
| Brass UNI EN 12165 CW617N Nickel plated | PU - NBR only for M5 | PA6    |



| Flow rate at 87 psi: | Supply      | Venting     |
|----------------------|-------------|-------------|
| PV27 1/8 1/8         | 41.34 SCFM  | 49.47 SCFM  |
| PV27 1/4 1/4         | 113.07 SCFM | 116.61 SCFM |
| PV27 3/8 3/8         | 127.21 SCFM | 133.57 SCFM |
| PV27 1/2 1/2         | 208.48 SCFM | 265.02 SCFM |
| PV27 3/4 3/4*        | 109.54 SCFM | 222.61 SCFM |

\* Flow rate at 43.5 psi

## QUICK EXHAUST VALVE

This valve can easily vent the circuit in case of an air supply failure.

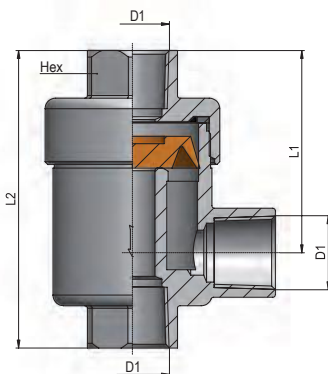
If assembled on the cylinder port, it increases the cylinder speed.

## DATA SHEET

Recommended tubings:  
according to the fitting connected to the valve.  
Working Temperature:  
from 14 °F up to 158 °F  
Working Pressure:  
from 29 psi to 145 psi  
Application field:  
pneumatic installations fed with filtered, lubricated air.

## PV 27

### Quick Exhaust valve



| Part Number | D1 NPTF | L1    | L2    | HEX (mm) | oz     |
|-------------|---------|-------|-------|----------|--------|
| 27 00 18    | 1/8     | 1.063 | 1.654 | 15       | 3.351  |
| 27 00 14    | 1/4     | 1.378 | 2.126 | 19       | 5.573  |
| 27 00 38    | 3/8     | 1.378 | 2.126 | 19       | 5.644  |
| 27 00 12    | 1/2     | 1.772 | 2.835 | 26       | 11.464 |