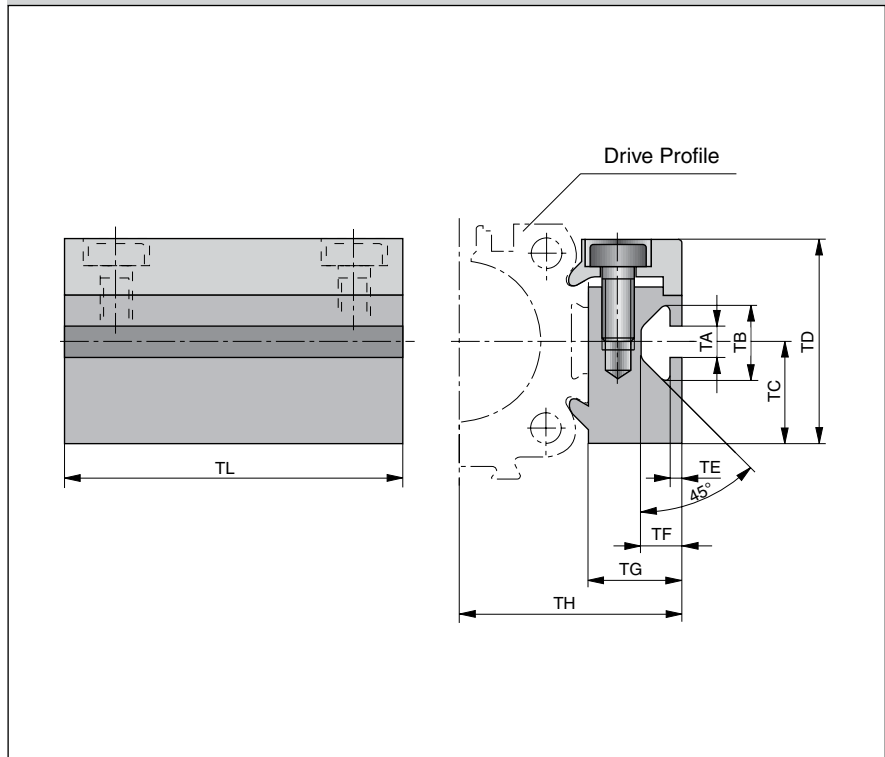


# Linear Drive Accessories

## ∅ 16-50 mm T-Slot Profile

### Dimensions



**B**



For Linear-drive  
 • Series OSP-P

#### T-Slot Profile OSP

- A universal attachment for mounting with standard T-Nuts

Dimension Table (mm)

Series	TA	TB	TC	TD	TE	TF	TG	TH	TL	Order No.	
										Standard	Stainless
OSP-P16	5	11.5	14	28	1.8	6.4	12	27	50	20433	20439
OSP-P25	5	11.5	16	32	1.8	6.4	14.5	34.5	50	20007	20187
OSP-P32	5	11.5	16	32	1.8	6.4	14.5	40.5	50	20007	20187
OSP-P40	8.2	20	20	43	4.5	12.3	20	51	80	20026	20268
OSP-P50	8.2	20	20	43	4.5	12.3	20	58	80	20026	20268

