

Linear Drive Accessories

ø 10 mm

Clevis Mounting

B



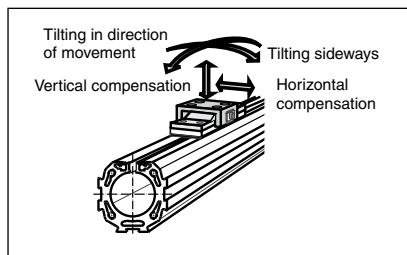
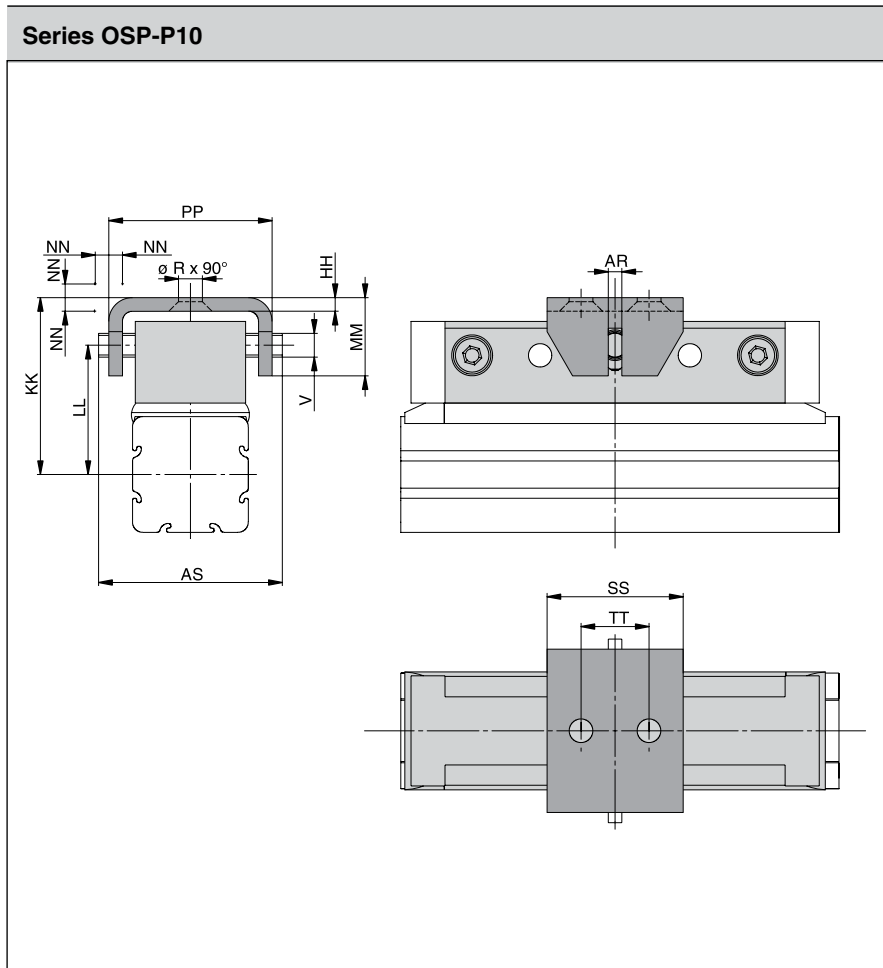
For Linear-drive
 • Series OSP-P

When external guides are used, parallelism deviations can lead to mechanical strain on the piston. This can be avoided by the use of a clevis mounting.

In the drive direction, the mounting has very little play.

Freedom of movement is provided as follows:

- Tilting in direction of movement
- Vertical compensation
- Tilting sideways
- Horizontal compensation

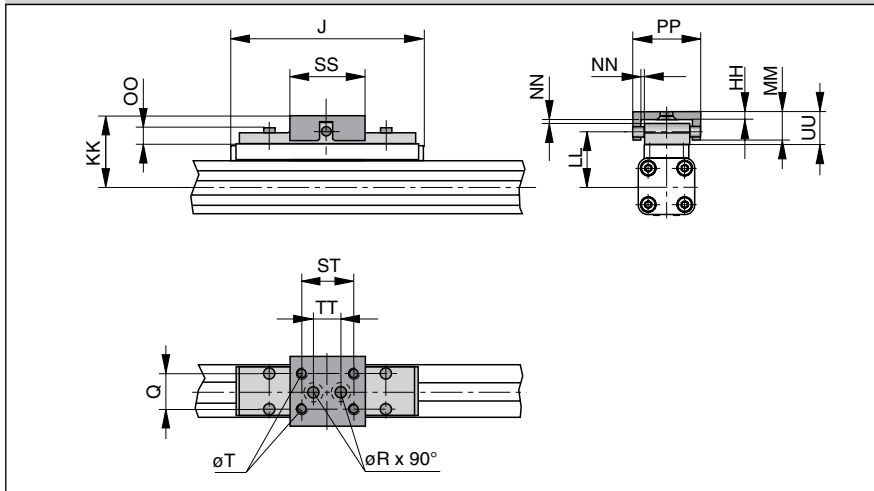


DimensionTable (mm)													Order No.	
Series	øR	V	AR	AS	HH	KK	LL	MM	NN*	PP	SS	TT	Standard	Stainless
OSP-P10	3.4	3.5	2	27	2	26	19	11.5	1	24	20	10	20971	-

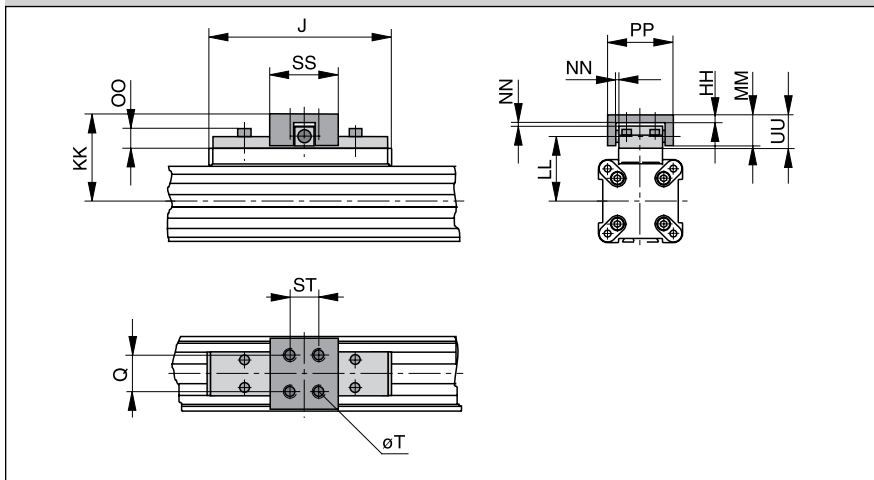
* Dimension NN gives the possible plus and minus play in horizontal and vertical movement, which also makes tilting sideways possible.



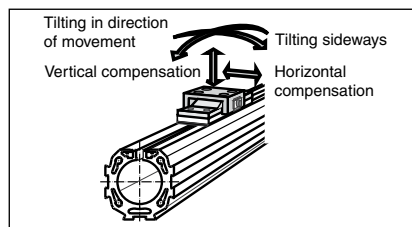
Series OSP-P16 to 32



Series OSP-P40 to 80



Please note:
When using additional inversion mountings, take into account the dimensions in page B22.



Linear Drive Accessories

ø 16-80 mm

Clevis Mounting



For Linear-drive
• **Series OSP-P**

When external guides are used, parallelism deviations can lead to mechanical strain on the piston. This can be avoided by the use of a clevis mounting.

In the drive direction, the mounting has very little play.

Freedom of movement is provided as follows:

- **Tilting in direction of movement**
- **Vertical compensation**
- **Tilting sideways**
- **Horizontal compensation**

A stainless steel version is also available.



Dimension Table (mm)

Series	J	Q	T	øR	HH	KK	LL	MM	NN*	OO	PP	SS	ST	TT	UU	Order No.	
																Standard	Stainless
OSP-P16	69	10	M4	4.5	3	34	26.6	10	1	8.5	26	28	20	10	11	20462	20463
OSP-P25	117	16	M5	5.5	3.5	52	39	19	2	9	38	40	30	16	21	20005	20092
OSP-P32	152	25	M6	6.6	6	68	50	28	2	13	62	60	46	40	30	20096	20094
OSP-P40	152	25	M6	—	6	74	56	28	2	13	62	60	46	—	30	20024	20093
OSP-P50	200	25	M6	—	6	79	61	28	2	13	62	60	46	—	30	20097	20095
OSP-P63	256	37	M8	—	8	100	76	34	3	17	80	80	65	—	37	20466	20467
OSP-P80	348	38	M10	—	8	122	96	42	3	16	88	90	70	—	42	20477	20478

* Dimension NN gives the possible plus and minus play in horizontal and vertical movement, which also makes tilting sideways possible.