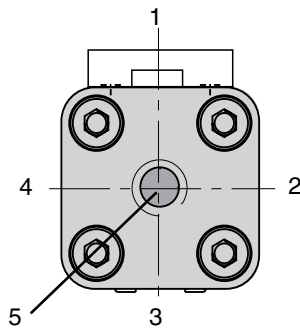


## Air Connection on the End-Face #5

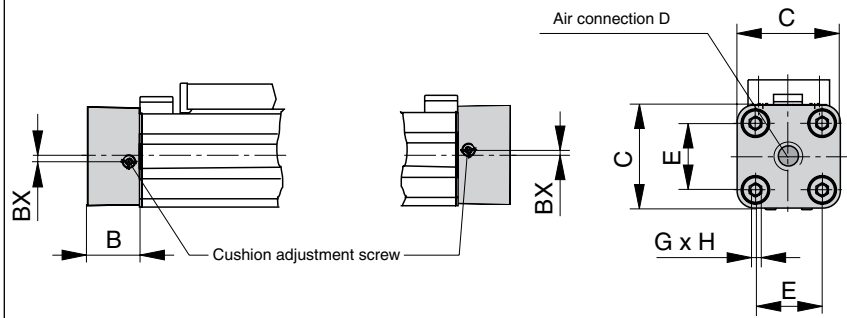
In some situations it is necessary or desirable to fit a special end cap with the air connection on the end-face instead of the standard end cap with the air connection on the side. The special end cap can also be rotated 4 x 90° to locate the cushion adjustment screw as desired. Supplied in pairs.

**B**

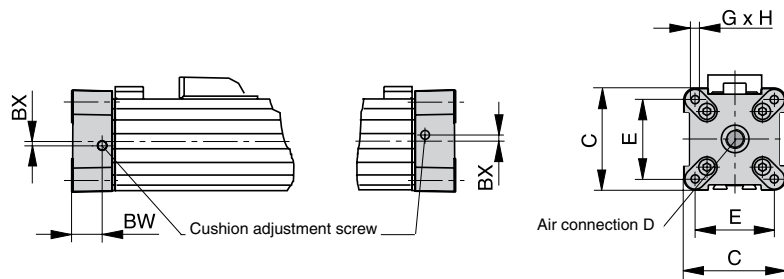


**Note: Position #2 is the standard location.**

### Series OSP-P16 to P32



### Series OSP-P40 to P80



**Dimension Table (mm)**

| Cylinder Series | B    | C   | D    | E  | G   | H  | BX  | BW   |
|-----------------|------|-----|------|----|-----|----|-----|------|
| OSP-P16         | 14   | 30  | M5   | 18 | M3  | 9  | 1.8 | 10.8 |
| OSP-P25         | 22   | 41  | G1/8 | 27 | M5  | 15 | 2.2 | 17.5 |
| OSP-P32         | 25.5 | 52  | G1/4 | 36 | M6  | 15 | 2.5 | 20.5 |
| OSP-P40         | 28   | 69  | G1/4 | 54 | M6  | 15 | 3   | 21   |
| OSP-P50         | 33   | 87  | G1/4 | 70 | M6  | 15 | —   | 27   |
| OSP-P63         | 38   | 106 | G3/8 | 78 | M8  | 21 | —   | 30   |
| OSP-P80         | 47   | 132 | G1/2 | 96 | M10 | 25 | —   | 37.5 |