

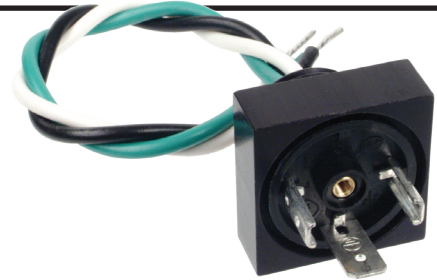
canfield connector
8510 Foxwood Court
Youngstown, Ohio 44514
(330) 758-8299 Fax: (330) 758-8912
www.canfieldconnector.com

SERIES M5

MALE CONNECTORS

General Description

Canfield male connectors are used as electrical quick disconnect interfaces for pneumatic and hydraulic valves and sensors. They are available in standard MINI, DIN 43650 Form "A" / ISO 4400, EN175301-803:2000, Sub-Micro 8mm, 9.4mm, and conduit arrangements. Some male connectors are available with 2+ ground or 3+ ground terminal options.

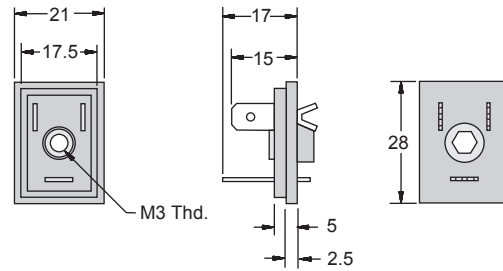


M03010 MINI Male for Molding

This MINI male connector is used as an electrical quick connect. It is generally applied during the molding, potting, or epoxying process for pneumatic and hydraulic valves or pressure switches. The M03010 male connector is built to mate with the Series 5000 or other standard MINI female connectors.

Features

- 2+ Ground Terminals
- 250V AC/DC max.
- 10 Amps max. rating
- Glass Fiber Reinforced Nylon
- Temp. rating -40° to +125° C

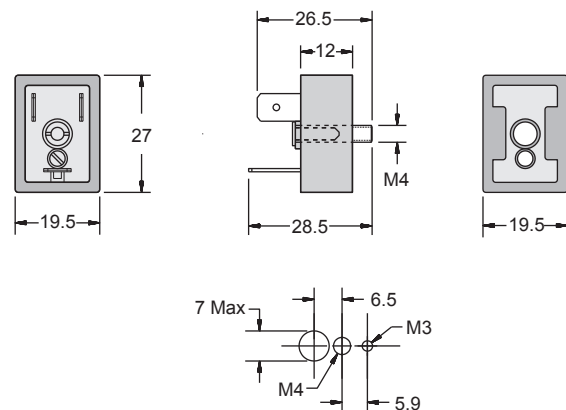


M03110 MINI Male for Plate Mounting

This MINI male connector is used as an electrical quick connect for pneumatic and hydraulic valves. The M03110 male connector is built to mate with the Series 5000 or other standard MINI female connectors. This connector can be used for mounting on a plate, panel or bulkhead.

Features

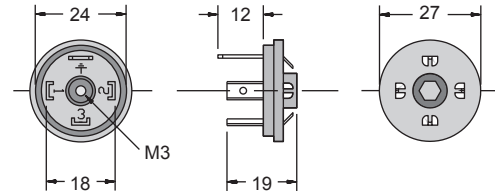
- 2+ Ground Terminals
- 250V AC/DC max.
- 10 Amps max. rating
- Glass Fiber Reinforced Nylon
- Nitrile Gasket
- Temp. rating -25° to +90° C



This male DIN 43650 Form "A" / ISO 4400, EN175301-803:2000 connector can be integrated in tooling to provide a cost effective quick connect electrical interface. The P10020 is designed to mate with Series 5000 or other DIN 43650 Form "A" / ISO 4400, EN175301-803:2000 female electrical connectors.

Features

- DIN 43650 Form "A" / ISO 4400, EN175301-803:2000 configuration
- 2+ or 3+ Ground versions
- 250V AC/DC max.
- Glass Fiber Reinforced Nylon
- 10 Amps max. rating
- Temp. rating -40° to +125° C

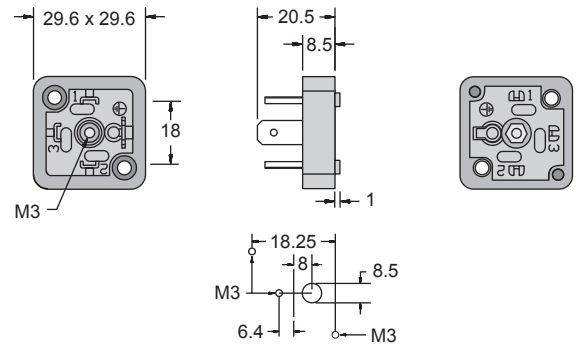


P10121 ISO Male for 2 Hole Plate Mounting

This plate mount DIN 43650 Form "A" / ISO 4400, EN175301-803:2000 male connector is offered in either 2+ or 3+ ground versions. Easy to install using the template in the dimensional data. The P10121 connector is designed to mate with Series 5000 or other DIN 43650 Form "A" / ISO 4400, EN175301-803:2000 female connectors.

Features

- DIN 43650 Form "A" / ISO 4400, EN175301-803:2000 configuration
- 2+ or 3+ Ground versions
- 250V AC/DC max.
- 10 Amps max. rating
- Glass Fiber Reinforced Nylon
- Nitrile Gasket
- Temp. rating -25° to +90° C
- Panel mounting screws provided

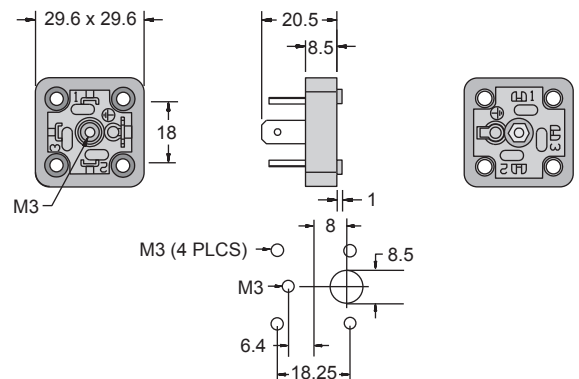


P10122 ISO Male for 4 Hole Plate Mounting

This plate mount DIN 43650 Form "A" / ISO 4400, EN175301-803:2000 male connector is offered in either 2+ or 3+ ground versions. Easy to install using the template in the dimensional data. The P10122 connector is designed to mate with Series 5000 or other DIN 43650 Form "A" / ISO 4400, EN175301-803:2000 female connectors.

Features

- DIN 43650 Form "A" / ISO 4400, EN175301-803:2000 configuration
- 2+ or 3+ Ground versions
- 250V AC/DC max.
- 10 Amps max. rating
- Glass Fiber Reinforced Nylon
- Nitrile Gasket
- Temp. rating -25° to +90° C
- For high vibration, mobile applications
- Panel mounting screws provided

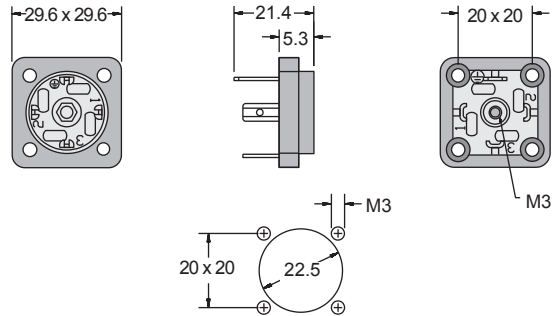


P10222 ISO Male for Sheet Metal Mounting

This DIN 43650 Form "A" / ISO 4400, EN175301-803:2000 male connector is specifically designed for mounting in sheet metal. It has an arc over insulating plastic ridge and includes a gasket and four mounting screws. The P10222 connector is designed to mate with Series 5000 or other DIN 43650 Form "A" / ISO 4400, EN175301-803:2000 female connectors.

Features

- DIN 43650 Form "A" / ISO 4400, EN175301-803:2000 configuration
- 2+ or 3+ Ground versions
- 250V AC/DC max.
- 10 Amps max. rating
- Glass Fiber Reinforced Nylon
- Nitrile Gasket
- Temp. rating -25° to +90° C

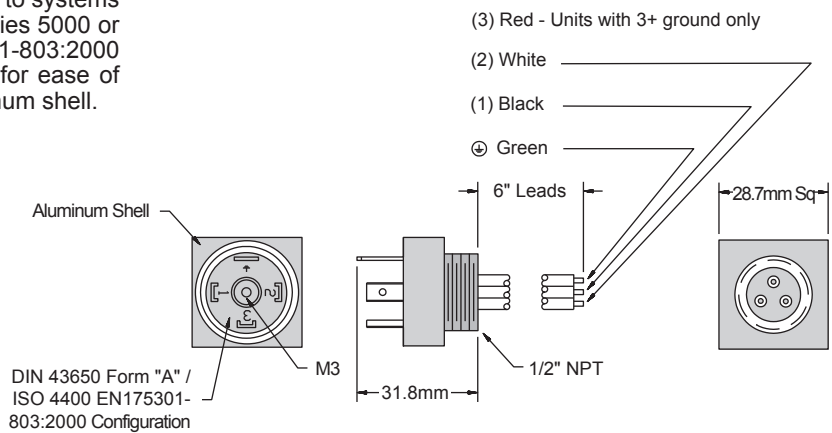


P10500 ISO Male for 1/2" Conduit Male Thread

This male DIN 43650 Form "A" / ISO 4400, EN175301-803:2000 connector is specifically designed to attach to systems with 1/2" conduit connections and mate with Series 5000 or other DIN 43650 Form "A" / ISO 4400, EN175301-803:2000 female connectors. These units are pre-wired for ease of installation and epoxy encapsulated in an aluminum shell.

Features

- DIN 43650 Form "A" / ISO 4400, EN175301-803:2000 configuration
- 2+ or 3+ Ground versions
- 1/2" NPTF Male Thread Connection
- 18 Gauge Wire Standard (6" leads)
- 250V AC/DC max.
- 10 Amps max. rating
- Temp. rating -40° to +105° C



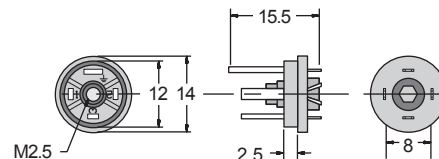
3 plus ground version shown. 2 plus ground version available.

P20020 Sub-Micro 8mm Male for Molding

This Sub-Micro 8mm male connector is designed as a small electrical interface that can be molded into other products creating an environmentally protected quick connect interface. The P20020 male connector is designed to mate with Series 5000 8mm female connectors.

Features

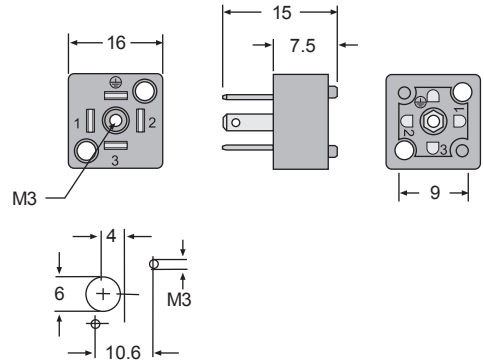
- 2+ or 3+ Ground versions
- 8mm Centers
- Glass Fiber Reinforced Nylon
- 250V AC/DC max.
- 6 Amps max. rating
- Temp. rating -40° to +125° C



This Sub-Micro 9.4mm male plate mount connector is offered in either 2+ or 3+ ground versions. Easy to install using the template in the dimensional data. The P30120 connector is built to mate with Series 5000 9mm center female connectors.

Features

- 2+ or 3+ Ground versions
- 9.4mm Centers
- Glass Fiber Reinforced Nylon
- 250V AC/DC max.
- 6 Amps max. rating
- Nitrile gasket
- Temp. rating -40° to +125° C



Ordering Information

M 5 - 0 0

Connector Type	
M03010	MINI for molding
M03110	MINI for plate*
P10020	ISO for molding
P10121	ISO for plate 2 hole
P10122	ISO for plate 4 hole
P10222	ISO for sheet metal
P10500	ISO for 1/2" conduit
P20020	Sub-Micro 8mm molding
P30120	Sub-Micro 9.4mm for plate mount

Contacts	
2	2+ ground
3	3+ ground

* 2+ Ground Terminals Only

Each connector kit contains all mounting hardware.

Ordering Example:

M5P10222-300

Model P10222 ISO Male Connector for Sheet Metal with 3+ ground terminals