

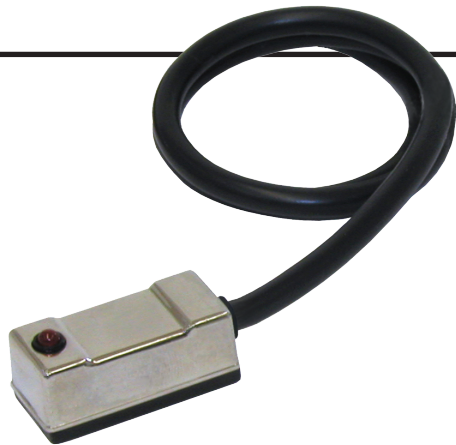
**canfield connector**  
8510 Foxwood Court  
Youngstown, Ohio 44514  
(330) 758-8299 Fax: (330) 758-8912  
www.canfieldconnector.com

## SERIES 8E

## REED & ELECTRONIC SENSORS FOR ROUND, TIE-ROD, OR EXTRUDED CYLINDERS

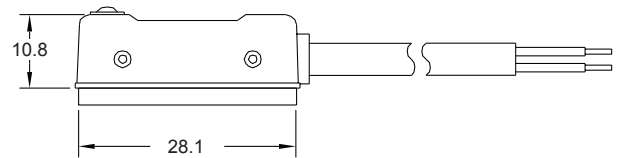
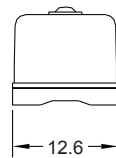
### General Description

The Canfield Connector Series 8E is a linear actuator magnetic sensor designed for harsh industrial applications. With mounting styles for tie rod or round type linear actuators, the 8E features an all encapsulated body that is covered by a metal housing for strength. The switch is available in reed or electronic versions and electrical connection is made by use of 9 ft. PVC or 8mm quick connect male pigtail. The 8E is water resistant and dust tight to IP67.

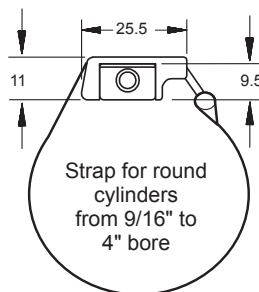


### Dimensional Data

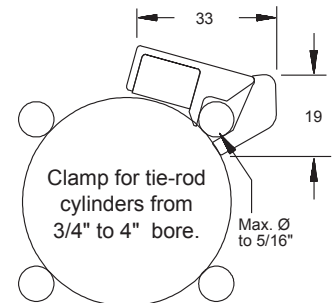
ALL DIMENSIONS ARE IN MILLIMETERS UNLESS OTHERWISE NOTED



### Clamp Styles



**Standard  
Round Cylinder  
Universal Clamp  
(Style 0)**



**Standard  
Tie-Rod  
Cylinder Clamp  
(Style 2)**

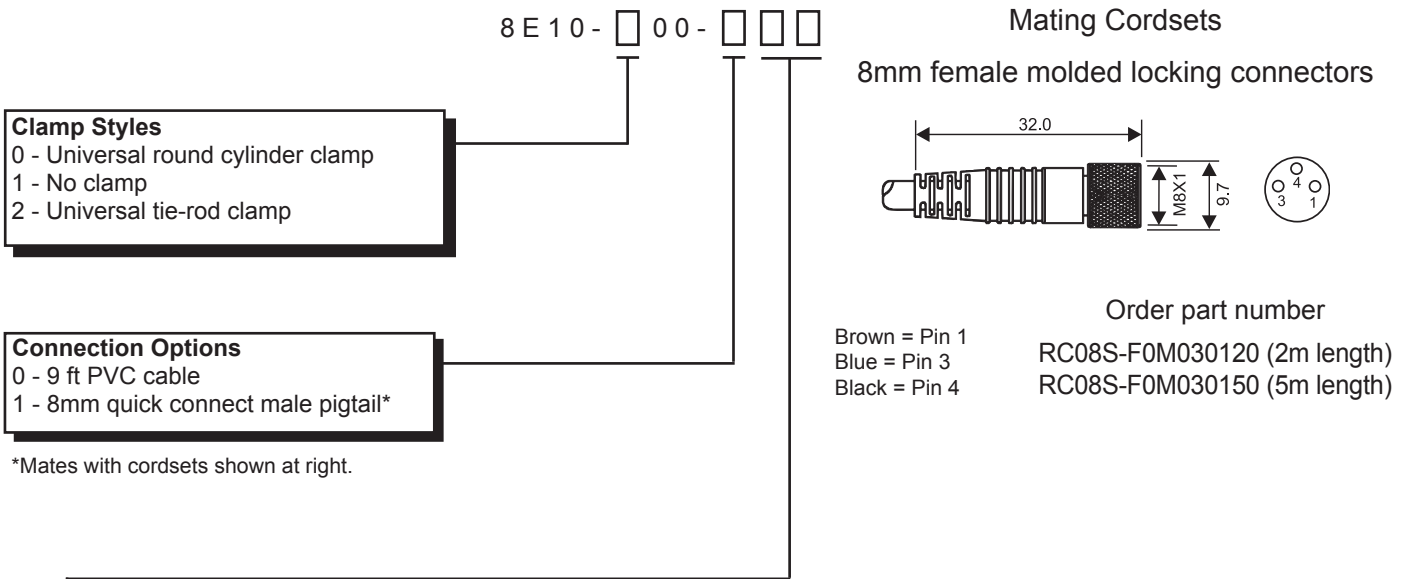
### Features

- Quick connect versions available
- Extremely consistent repeatability
- Compact design
- Reverse polarity protection
- Both reed and electronic versions work with the same (reed) magnet
- Encapsulated circuit for wet environment (NEMA 6)
- Available for tie-rod, round or extruded cylinder mounting

## Technical Data

- Temperature Range: Operational from -10° to +70°C
- Shock: Operational up to 30G (11 ms.) reeds, 50G electronic
- Vibration: Operational up to 9G parallel
- Sensitivity and orientation: 60G parallel (standard minimum required for proper operation, as measured on sensor surface. Size of sensing area depends on size and strength of magnet and thickness of cylinder wall)
- Most versions designed to meet NEMA 6/IP67 specifications

## Ordering Information



Type	Description	Function	Switching Voltage	Switching Current	Switching Power	Voltage Drop	** Magnetic Sensitivity
01	Reed Switch	Normally Open SPST	0 - 240V AC/DC	0.5 Amps Max.	10 watts Max.	0 Volts	60 Ga.
04	Reed Switch, LED & MOV	Normally Open SPST	5 - 240V AC/DC	100 mA	10 watts Max.	2.5 Volts	60 Ga.
31	Electronic for Reed Magnet, LED & Sourcing	Normally Open PNP	5 - 28 VDC	0.2 Amps Max.	6 watts Max.	1.5 Volts	60 Ga.
32	Electronic for Reed Magnet, LED & Sinking	Normally Open NPN	5 - 28 VDC	0.2 Amps Max.	6 watts Max.	1.5 Volts	60 Ga.

\*\*Minimum gauss rating required for proper operation; as measured 4.5 above sensing surface. Size of sensing area depends upon size and strength of magnet and thickness of cylinder wall.

### Ordering Example:

8E10-000-004

Universal round cylinder clamp, 9 ft. cable, standard style reed switch with LED & MOV, SPST, normally open, 5 - 240V AC/DC

For convenience and faster shipping, this series is available in Can-Paks.

