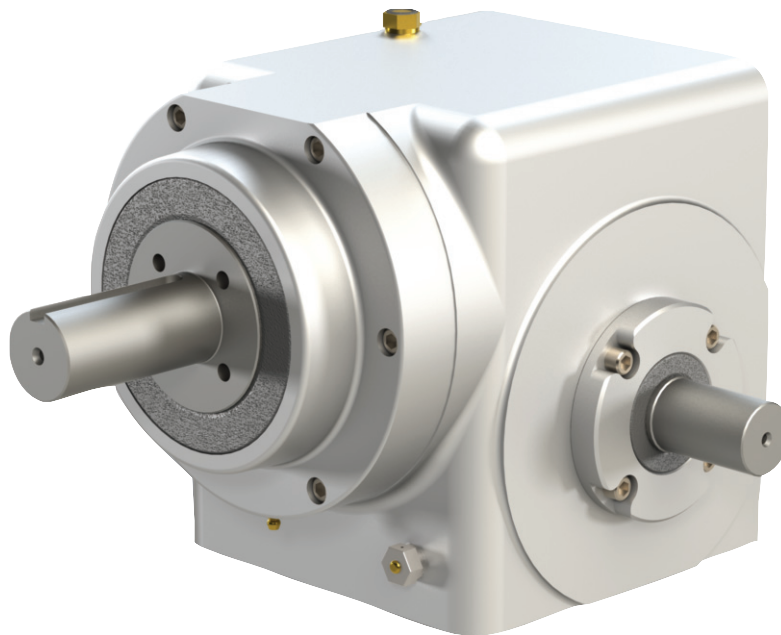


RA Series Right Angle Index Drives



Features:

CAMCO Right Angle Index Drives are ideal for dial applications or actuation-type applications such as driving a linkage or in-line conveyor.

- Fixed center distance between input and output
- Hardened, ground barrel cam
- Compact design requiring minimum use of floor space.
- Preloaded “rib-centered” design with modified-sine motion provides smooth acceleration and deceleration with precision positioning.
- Universal mounting available on RA models.

Table of Contents

How to Order	150
400RA	152
512RA	154
662RA	156

RA Series How to Order

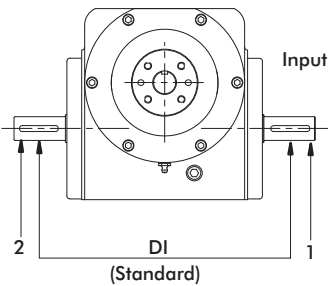
Indexer Ordering Procedure

1. Model
2. Input Shaft Configuration
 - Side 1
 - Side 2
 - Double Input – DI (Standard)
4. Indexer Mounting Position: 1-6
5. Indexer Housing Mounting Holes: Side 1-6
(more than one side can be selected)

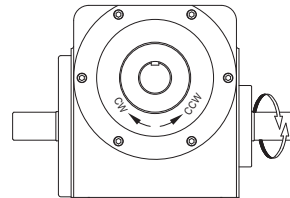
Reducer Ordering Procedure

1. Model
2. Ratio: 5:1, 10:1, 15:1, 20:1, 25:1, 30:1, 40:1, 50:1, 60:1
3. Motor Adapter
4. Reducer Input Shaft Extension:
Single Input (SE) or Double Input (DE)
5. Mounting (see diagram below)

Input Shaft Configuration (Top View)



Input Shaft Rotation



Indexer Mounting Position

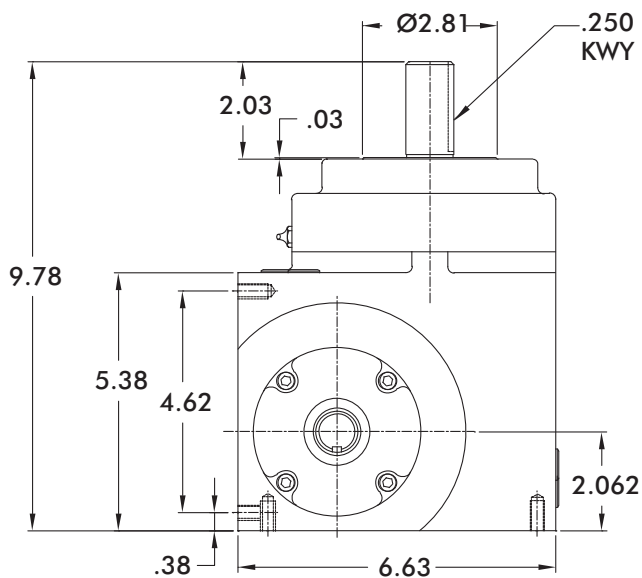
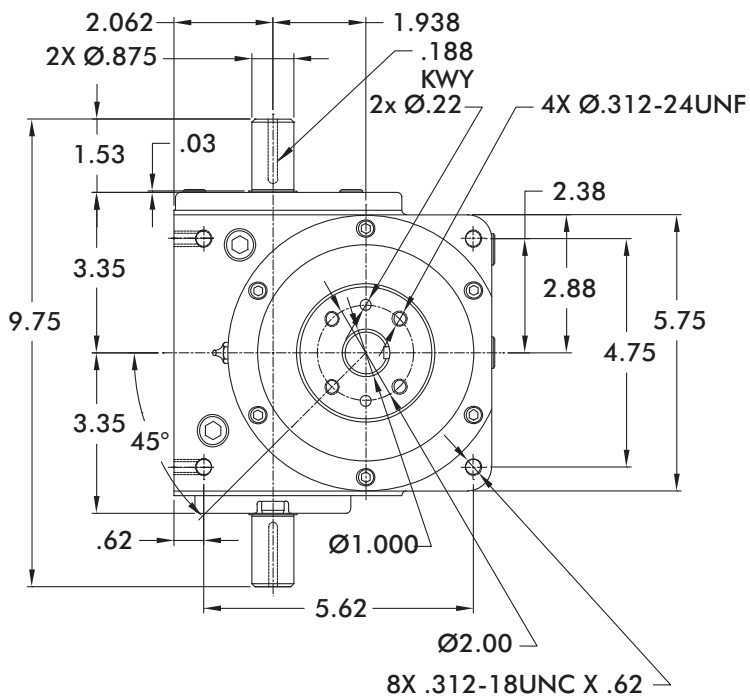
OVOI (output vertical, over input)	OVUI (output vertical, under input)	OHOI (output horizontal, over input)	OHUI (output horizontal, under input)	H-S1-UP (output horizontal, side 1 up)	H-S2-UP (output horizontal, side 2 up)
1	2	3	4	5	6

Gear Reducer Mounting Positions

		Mounting "A"		Mounting "B"	
		RH	LH	RH	LH
SIDE 1	A	B	C	D	
	SIDE 2	E	F	G	H
		Mounting "C"		Mounting "D"	
		RH	LH	RH	LH
SIDE 1	J	K	L	M	
	SIDE 2	N	P	R	S

Dimensions and technical information are subject to change without notice.

400RA Standard Dimensions



Dimensions and technical information are subject to change without notice.



400RA Product Overview and Technical Specifications

400RA Indexer Capacities					
Stops	Index Period	Motion	B ₁₀ Capacity at 50 RPM (in-lb)	Internal Inertia (lb-in ²)	Model
2	330	ms	595	15	400RA2H20-330
3	270	ms	1591	15	400RA3H24-270
4	270	ms	1858	15	400RA4H24-270
	180	ms	2098	15	400RA4H24-180
6	270	ms	1711	15	400RA6H24-270
	120	ms	2024	15	400RA6H24-120
8	270	ms	1987	15	400RA8H24-270
	120	ms	2354	15	400RA8H24-120
12	270	ms	1290	15	400RA12H20-270
	120	ms	1568	15	400RA12H20-120
16	270	ms	1426	15	400RA16H20-270 II
	180	ms	2947	15	400RA16H24-180 II
24	270	ms	1640	15	400RA24H20-270 II
	180	ms	1894	15	400RA24H20-180 II

Other Motions (stops and index periods) available. Contact your DE-STA-CO sales representative for more information.

Features

- R180 Reducer (ratios from 15:1 to 60:1)
 - Double Extended Worm Shaft (Input)
 - Worm Shaft Handwheel
- Double Extended Camshaft (Input Shaft)
- 1/3 hp AC Drive Package with Inverter Duty Motor and IM-pAC AC Drive (up to 60 cpm)
- Cycle Cam and Limit Switch Mounted to Camshaft
- Right Hand Cam

Output Load Capacity (loads carried during index):

- Radial 810 lbs
- Thrust/Axial 1,406 lbs
- Moment 1,620 in-lb

Accuracy ±48 arcsec / ±.0007" at 3" Radius

Repeatability ±12 arcsec / ±.0002" at 3" Radius

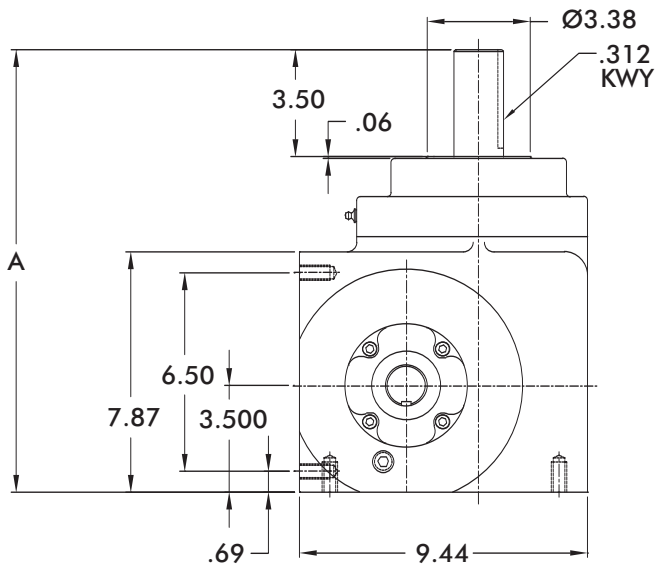
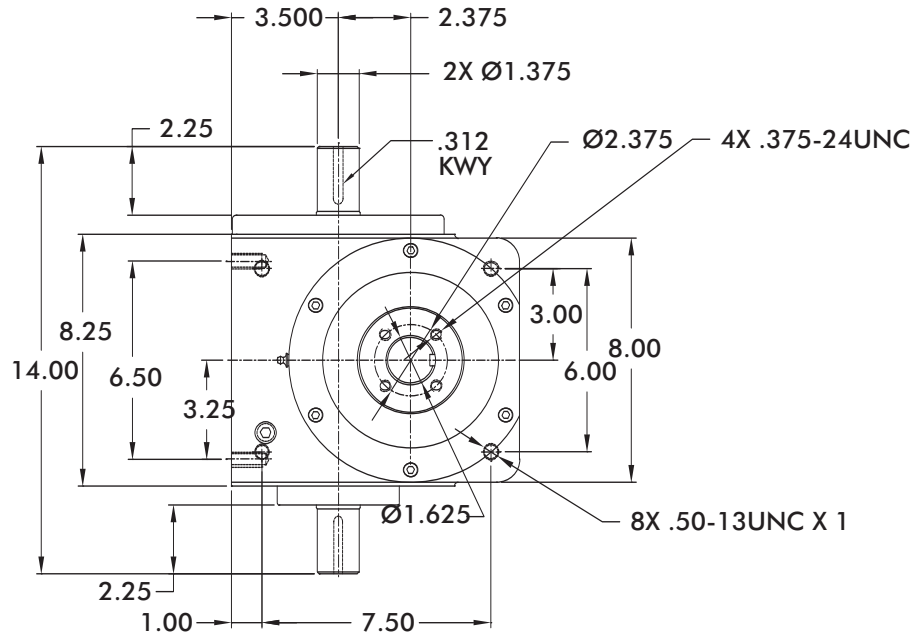
Optional Accessories

- 1/3 hp DC motor
- R225 Reducer (ratios from 10:1 to 60:1)
 - 1 hp DC Motor
 - 56C Motor Adapter and Coupling
- Varipak DC Motor Control (up to 30 cpm)
- Output Overload Clutch Models: 2.3F, 2.3FC, 2.3S, 2.3C, 2.3FC-SD, 2.3S-SD, 2.3C-SD
 - Available Settings (in-lb): 400, 600, 700, 850, 1000, 1300, 1800, 2000, 2300
- Dual Cycle Cam and Limit Switch
- Finished cover for ceiling mount or tooling plate mounting
- Left Hand Cam
- Relief in Dwell for shot-pin applications

Dimensions and technical information are subject to change without notice.



512RA Standard Dimensions



Dimensions and technical information are subject to change without notice.



512RA Product Overview and Technical Specifications

512RA Indexer Capacities						
Stops	Index Period	Motion	B ₁₀ Capacity at 50 RPM (in-lb)	Internal Inertia (lb-in ²)	Model	A
2	270	msc.33	2061	45	512RA2H32-270 MSC.33	14.93
3	270	ms	2360	45	512RA3H32-270	14.50
	180	msc.33	2852	45	512RA3H32-180 MSC 0.33	14.93
4	270	ms	2710	45	512RA4H32-270	14.50
	120	msc.33	3648	45	512RA4H32-120 MSC 0.33	14.93
6	270	ms	2613	45	512RA6H32-270	14.50
	120	ms	3179	45	512RA6H32-120	14.50
8	270	ms	3172	45	512RA8H32-270	14.50
	120	ms	3802	45	512RA8H32-120	14.50
12	270	ms	2738	45	512RA12H28-270	14.50
	120	ms	3176	45	512RA12H28-120	14.93

Other Motions (stops and index periods) available. Contact your DE-STA-CO sales representative for more information.

Features

- R225 Reducer (ratios from 10:1 to 60:1) – 56C Motor Adapter and Coupling
- Double Extended Camshaft (Input Shaft)
- 1 hp AC Drive Package with Inverter Duty Motor and Inverter Drive (up to 60 cpm)
- Cycle Cam and Limit Switch Mounted to Camshaft
- Right Hand Cam

Output Load Capacity (loads carried during index):

- Radial 1,986 lbs
- Thrust/Axial 2,277 lbs
- Moment 6,951 in-lb

Accuracy

±37 arcsec / ±.0011" at 6" Radius

Repeatability

±9 arcsec / ±.0003" at 6" Radius

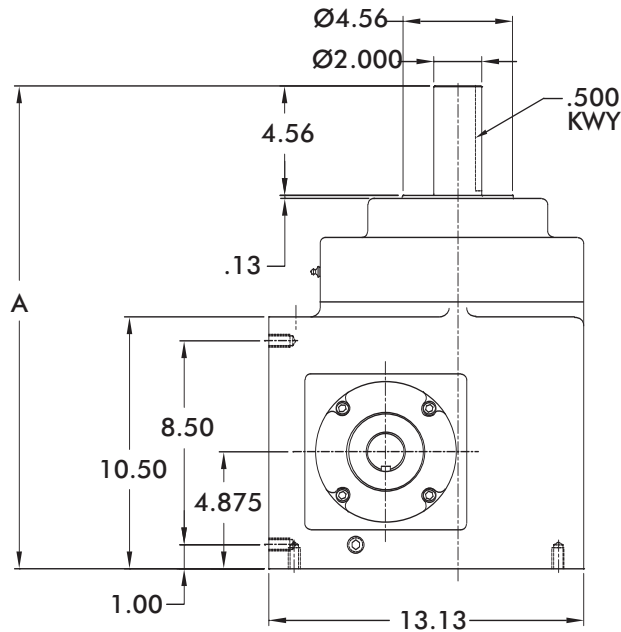
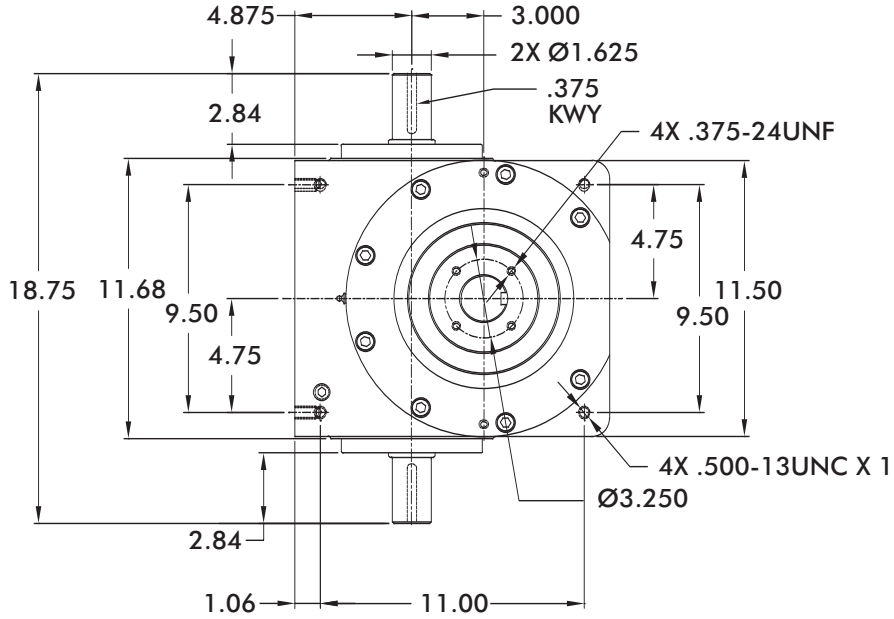
Optional Accessories

- 1 hp DC motor
- Varipak DC Motor Control (up to 30 cpm)
- Output Overload Clutch Models: 6.0F, 6.0FC, 6.0S and 6.0C, 6.0C-SD, 6.0FC-SD, 6.0S-SD – Available Settings (in-lb): 670, 825, 1100, 1400, 1700, 2000, 2300, 2500, 3000, 3800, 4000, 5000, 6000
- Dual Cycle Cam and Limit Switch
- Finished cover for ceiling mount or tooling plate mounting
- Left Hand Cam
- Relief in Dwell for shot-pin applications

Dimensions and technical information are subject to change without notice.



662RA Standard Dimensions



Dimensions and technical information are subject to change without notice.



662RA Product Overview and Technical Specifications

662RA Indexer Capacities						
Stops	Index Period	Motion	B ₁₀ Capacity at 50 RPM (in-lb)	Internal Inertia (lb-in ²)	Model	A
2	270	ms	6534	172	662RA2H48-270	20.88
3	270	ms	5913	169	662RA3H40-270	20.13
	180	ms	6146	169	662RA3H40-180	20.88
4	270	ms	6903	172	662RA4H40-270	20.13
	120	ms	7751	172	662RA4H40-120	20.88
6	270	ms	5734	169	662RA6H40-270	20.13
	120	ms	7551	169	662RA6H40-120	20.13
8	270	ms	7187	172	662RA8H40-270	20.13
	90	ms	8987	172	662RA8H40-90	20.88
12	270	ms	4504	165	662RA12H32-270	20.13
	90	ms	5536	165	662RA12H32-90	20.88

Other Motions (stops and index periods) available. Contact your DE-STA-CO sales representative for more information.

Features

- 7300C Reducer (ratios from 5:1 to 60:1) – Motor Adapter and Coupling
- Double Extended Camshaft (Input Shaft)
- 1 or 2 hp AC Drive Package with Inverter Duty Motor and Inverter Drive (up to 60 cpm)
- Varipak DC Motor Control (up to 30 cpm)
- Cycle Cam and Limit Switch Mounted to Camshaft
- Right Hand Cam

Output Load Capacity (loads carried during index):

- Radial 2,842 lbs
- Thrust/Axial 5,239 lbs
- Moment 2,959 in-lb

Accuracy

±36 arcsec / ±.001" at 6" Radius

Repeatability

±9 arcsec / ±.0003" at 6" Radius

Optional Accessories

- 1 hp DC motor
- 7350C Reducer (ratios from 5:1 to 60:1) – Motor Adapter and Coupling
- 2 hp DC Motor with Varipak DC Motor Control (up to 30 cpm)
- Output Overload Clutch Models: 11F, 11FC, 11FC-SD – Available Settings (in-lb): 2300, 4000, 6000, 8500, 11,000
- Dual Cycle Cam and Limit Switch
- Finished cover for ceiling mount or tooling plate mounting
- Left Hand Cam
- Relief in Dwell for shot-pin applications

Dimensions and technical information are subject to change without notice.



For more information or to place an order: 847.459.5200 | 800-645-5207 or camco@destaco.com

destaco.com