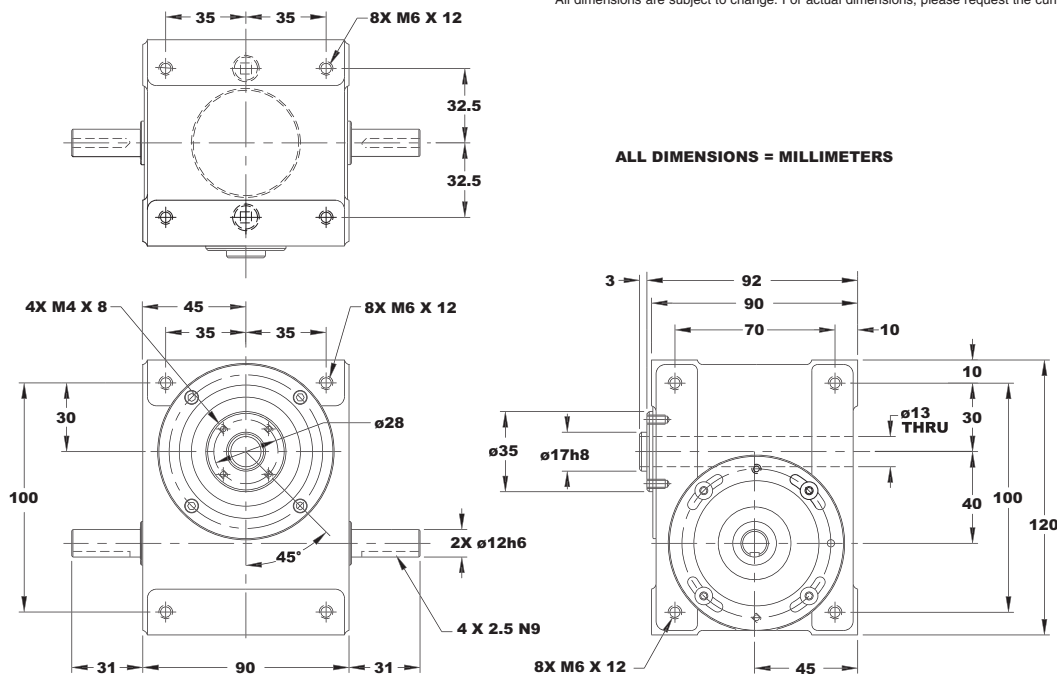


40RGD/40RGS

40RGD



40RGD/RGS Indexer Capacities

Stops (S)	Index Period (β)	Motion	B ₁₀ Capacity at 50 RPM (in-lb)	RGD Internal Inertia (lb-in ²)	RGS Internal Inertia (lb-in ²)	Model*
2	270	ms	150	0.3	0.4	40RG(D/S)2H12-270
3	270	ms	187	0.3	0.4	40RG(D/S)3H12-270
4	270	ms	214	0.4	0.4	40RG(D/S)4H12-270
	180	ms	225	0.4	0.4	40RG(D/S)4H12-180
6	270	ms	193	0.3	0.4	40RG(D/S)6H12-270
	180	ms	208	0.3	0.4	40RG(D/S)6H12-180
	120	ms	220	0.3	0.4	40RG(D/S)6H12-120
	90	ms	216	0.3	0.4	40RG(D/S)6H12-90
8	270	ms	216	0.4	0.4	40RG(D/S)8H12-270
	180	ms	243	0.4	0.4	40RG(D/S)8H12-180
	120	ms	250	0.4	0.4	40RG(D/S)8H12-120
12	90	ms	249	0.4	0.4	40RG(D/S)8H12-90
	270	ms	124	0.3	0.4	40RG(D/S)12H9-270
	180	ms	140	0.3	0.4	40RG(D/S)12H9-180
	120	ms	139	0.3	0.4	40RG(D/S)12H9-120
16	90	ms	139	0.3	0.4	40RG(D/S)12H9-90
	270	ms	254	0.4	0.4	40RG(D/S)16H12-270 II
24	120	ms	312	0.4	0.4	40RG(D/S)16H12-120 II
	180	ms	173	0.3	0.4	40RG(D/S)24H9-180 II
	120	ms	326	0.3	0.4	40RG(D/S)24H12-120 III

* Specify "D" for Dial (Flange) Output or "S" for Shaft Output.

Other Motions (stops and index periods) available. Contact your IMC sales representative for more information.

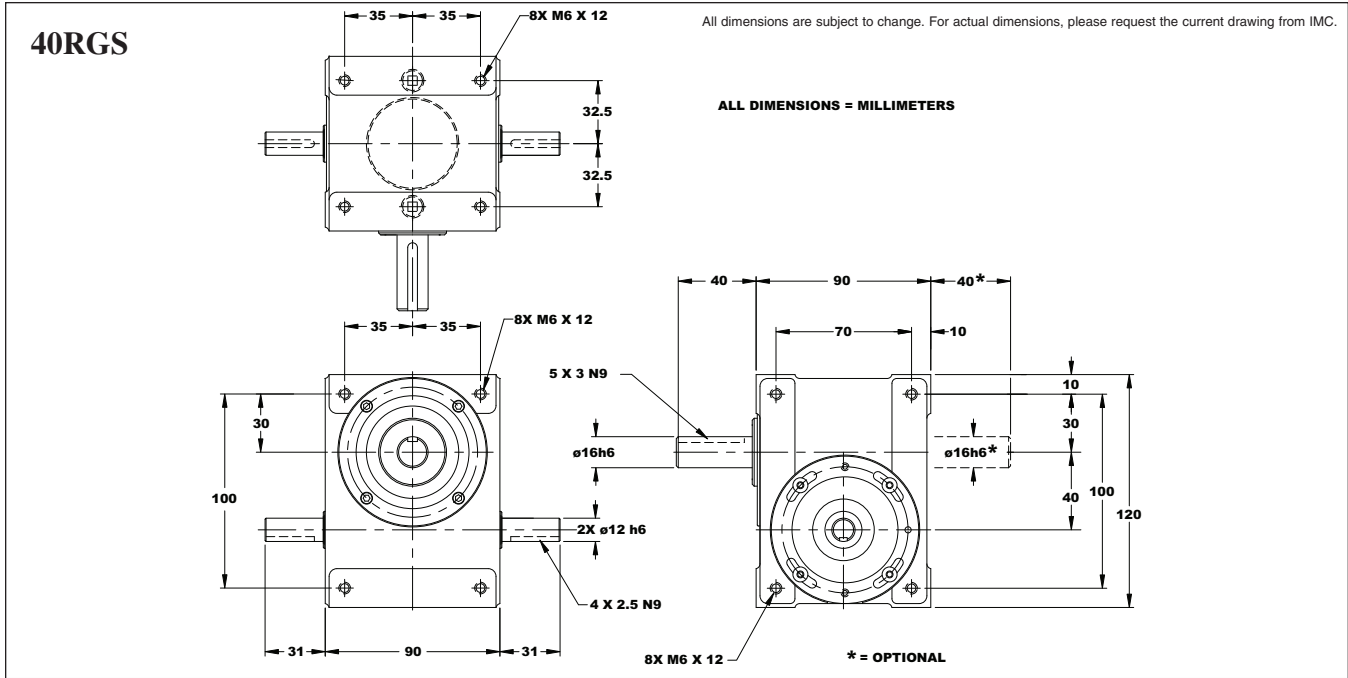
Technical Specifications

Output Load Capacity – loads carried during index

	RGD	RGS
Radial	1,107 lbs	206 lbs
Thrust/Axial	791 lbs	492 lbs
Moment	762 in-lbs	405 in-lbs

Accuracy ± 90 arcsec / $\pm .0013''$ at 3" Radius

Repeatability ± 22 arcsec / $\pm .0003''$ at 3" Radius

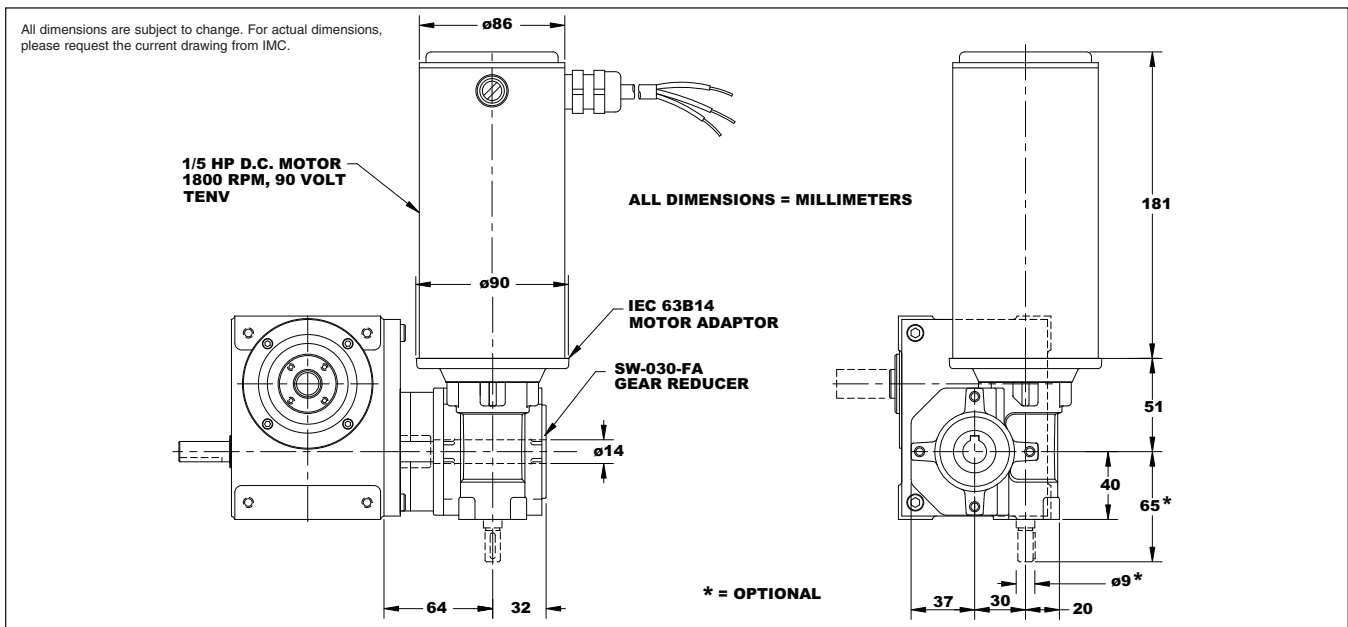


Standard Features

- ◆ Fully Metric
- ◆ Universal Mounting: mounting holes on any of 6 sides
- ◆ Center Through Hole (.50 in./13 mm Diameter) in RGD model.
- ◆ Right Hand Cam

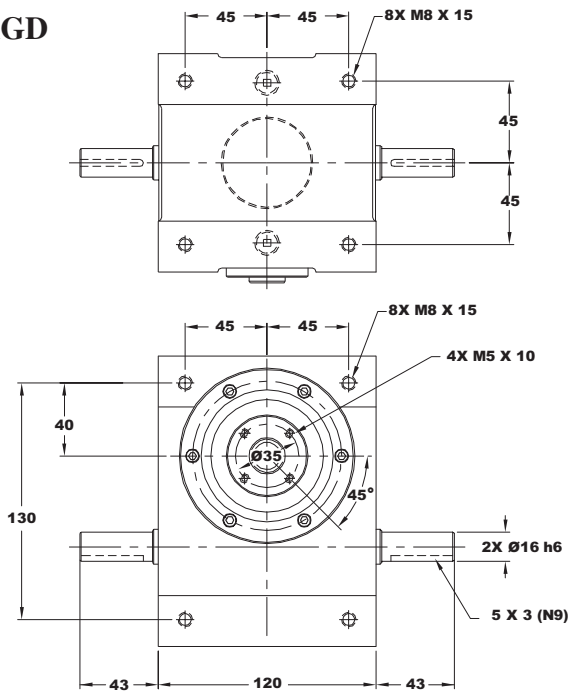
Accessories and Options

- ◆ SW-030 Gear Reducer (ratios from 5:1 to 50:1) with
 - IEC63B14 Motor Adapter
 - 1/5 hp DC Motor and Varipak DC Motor Control (up to 30 cpm)
 - 1/6 hp AC Motor and Inverter Drive (up to 60 cpm)
- ◆ .06 hp DC Gear Motor Drive Package
 - Direct Drive or Belt Drive
 - Varipak DC Motor Control (up to 30 cpm)
- ◆ Output Overload Clutch Models: M40F, M40FC, M40S and M40C
 - Available Settings: 160, 210, 270 in-lb or 18, 24, 30 Nm
- ◆ Single or Dual Cycle Cam and Limit Switch
- ◆ Left Hand Cam
- ◆ Relief in Dwell for shot-pin applications



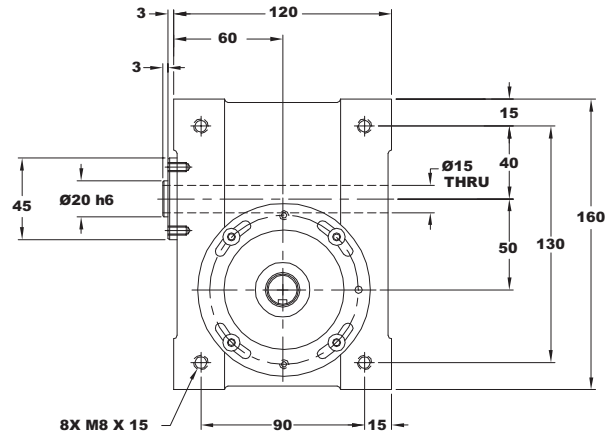
50RGD/50RGS

50RGD



All dimensions are subject to change. For actual dimensions, please request the current drawing from IMC.

ALL DIMENSIONS = MILLIMETERS



50RGD/RGS Indexer Capacities

Stops (S)	Index Period (β)	Motion	B ₁₀ Capacity at 50 RPM (in-lb)	RGD Internal Inertia (lb-in ²)	RGS Internal Inertia (lb-in ²)	Model*
2	270	msc.50	621	1.4	1.6	50RG(D/S)2H18-270
3	270	ms	287	1.3	1.5	50RG(D/S)3H14-270
	180	ms	300	1.3	1.5	50RG(D/S)3H14-180
4	270	ms	326	1.4	1.5	50RG(D/S)4H14-270
	180	ms	351	1.4	1.5	50RG(D/S)4H14-180
6	270	ms	606	1.4	1.6	50RG(D/S)6H18-270
	180	ms	671	1.4	1.6	50RG(D/S)6H18-180
	120	ms	719	1.4	1.6	50RG(D/S)6H18-120
	90	ms	734	1.4	1.6	50RG(D/S)6H18-90
8	270	ms	336	1.4	1.5	50RG(D/S)8H14-270
	180	ms	375	1.4	1.5	50RG(D/S)8H14-180
	120	ms	396	1.4	1.5	50RG(D/S)8H14-120
	90	ms	403	1.4	1.5	50RG(D/S)8H14-90
12	270	ms	275	1.4	1.5	50RG(D/S)12H12-270
	180	ms	310	1.4	1.5	50RG(D/S)12H12-180
	120	ms	322	1.4	1.5	50RG(D/S)12H12-120
	90	ms	329	1.4	1.5	50RG(D/S)12H12-90
16	180	ms	447	1.4	1.5	50RG(D/S)16H14-180 II
24	180	ms	374	1.4	1.5	50RG(D/S)24H12-180 II
	120	ms	409	1.4	1.5	50RG(D/S)24H12-120 II

* Specify "D" for Dial (Flange) Output or "S" for Shaft Output.

Other Motions (stops and index periods) available. Contact your IMC sales representative for more information.

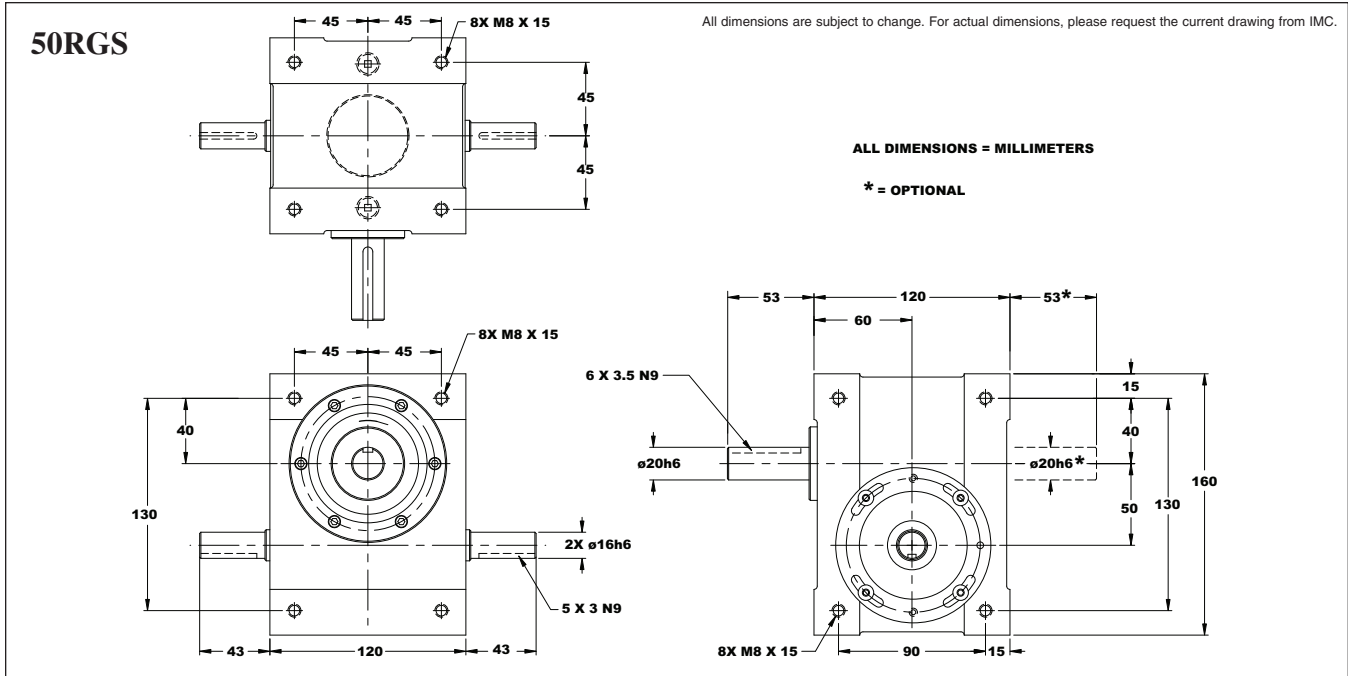
Technical Specifications

Output Load Capacity – loads carried during index

	RGD	RGS
Radial	1,775 lbs	379 lbs
Thrust/Axial	925 lbs	545 lbs
Moment	1,572 in-lbs	791 in-lbs

Accuracy ±73 arcsec / ±.0011" at 3" Radius

Repeatability ±18 arcsec / ±.0003" at 3" Radius

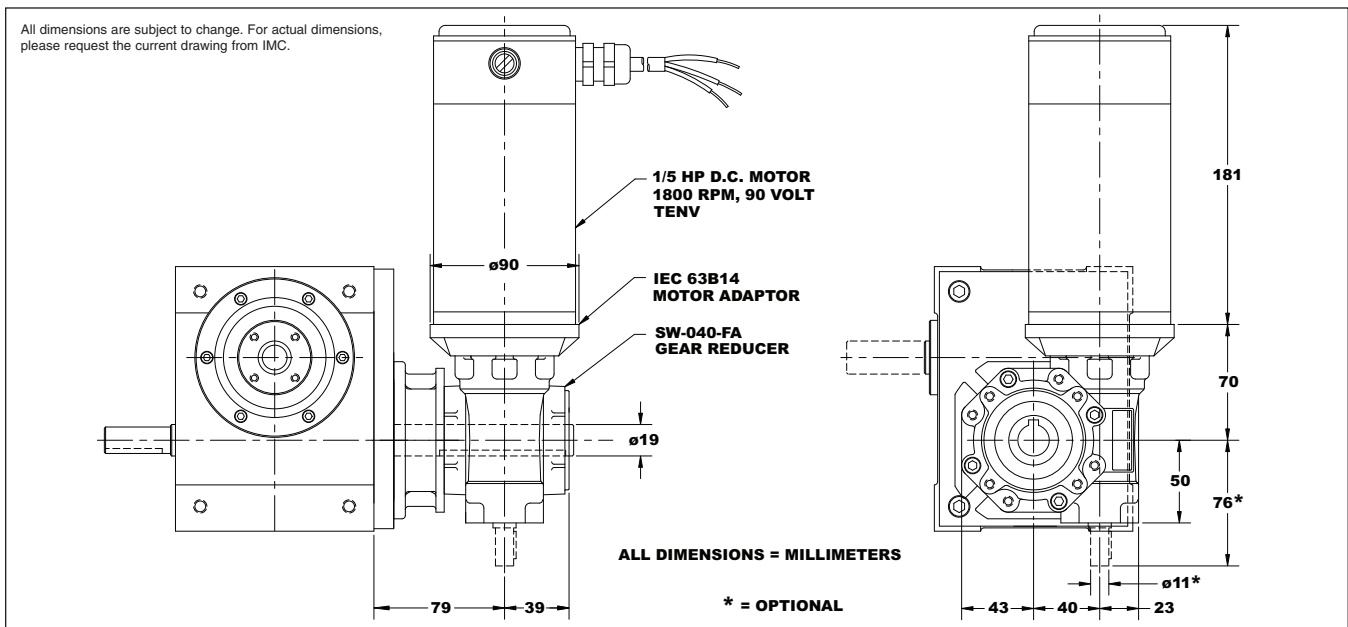


Standard Features

- ◆ Fully Metric
- ◆ Universal Mounting: mounting holes on any of 6 sides
- ◆ Center Through Hole (.59 in. / 15 mm Diameter) in RGD model.
- ◆ Right Hand Cam

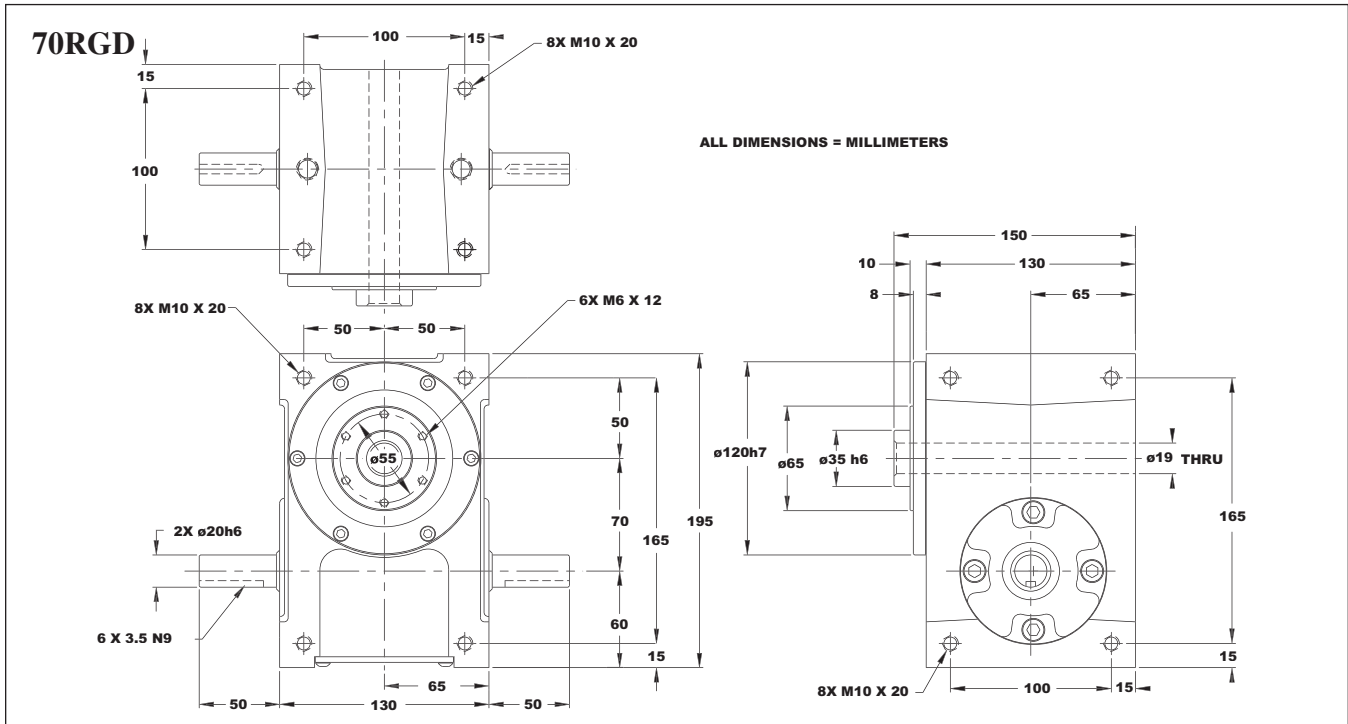
Accessories and Options

- ◆ SW-040 Gear Reducer (ratios from 5:1 to 40:1) with
 - IEC63B14 Motor Adapter
 - 1/4 hp AC Motor and Inverter Drive (up to 60 cpm)
 - 1/5 hp DC Motor and Varipak DC Motor Control (up to 30 cpm)
- ◆ .125 hp DC Gear Motor Drive Package
 - Direct Drive or Belt Drive
 - Varipak DC Motor Control (up to 30 cpm)
- ◆ Output Overload Clutch Models: M50F, M50FC, M50S and M50C
 - Available Settings: 270, 320, 390 in-lb or 30, 35, 40 Nm
- ◆ Single or Dual Cycle Cam and Limit Switch
- ◆ Left Hand Cam
- ◆ Relief in Dwell for shot-pin applications



70RGD/70RGS

D



70RGD/RGS Indexer Capacities						
Stops (S)	Index Period (β)	Motion	B ₁₀ Capacity at 50 RPM (in-lb)	RGD Internal Inertia (lb-in ²)	RGS Internal Inertia (lb-in ²)	Model*
2	270	ms	585	7	8	70RG(D/S)2H20-270
	180	ms	562	7	8	70RG(D/S)2H18-180
3	270	ms	720	7	8	70RG(D/S)3H20-270
	180	ms	753	7	8	70RG(D/S)3H20-180
4	270	ms	821	9	10	70RG(D/S)4H20-270
	180	msc.15	942	9	10	70RG(D/S)4H20-180
	120	msc.33	1107	10	10	70RG(D/S)4H18-120
	270	ms	1406	9	10	70RG(D/S)6H24-270
6	180	ms	1583	9	10	70RG(D/S)6H24-180
	120	ms	1768	9	10	70RG(D/S)6H24-120
	90	msc.33	2110	9	10	70RG(D/S)6H24-90
	270	ms	853	9	10	70RG(D/S)8H20-270
8	180	ms	949	9	10	70RG(D/S)8H20-180
	120	ms	1027	9	10	70RG(D/S)8H20-120
	90	ms	1063	9	10	70RG(D/S)8H20-90
	270	ms	470	10	10	70RG(D/S)12H14-270
12	180	ms	528	10	10	70RG(D/S)12H14-180
	120	ms	564	10	10	70RG(D/S)12H14-120
	90	ms	584	10	10	70RG(D/S)12H14-90
24	180	ms	635	10	10	70RG(D/S)24H14-180 II

* Specify "D" for Dial (Flange) Output or "S" for Shaft Output.

Other Motions (stops and index periods) available. Contact your IMC sales representative for more information.

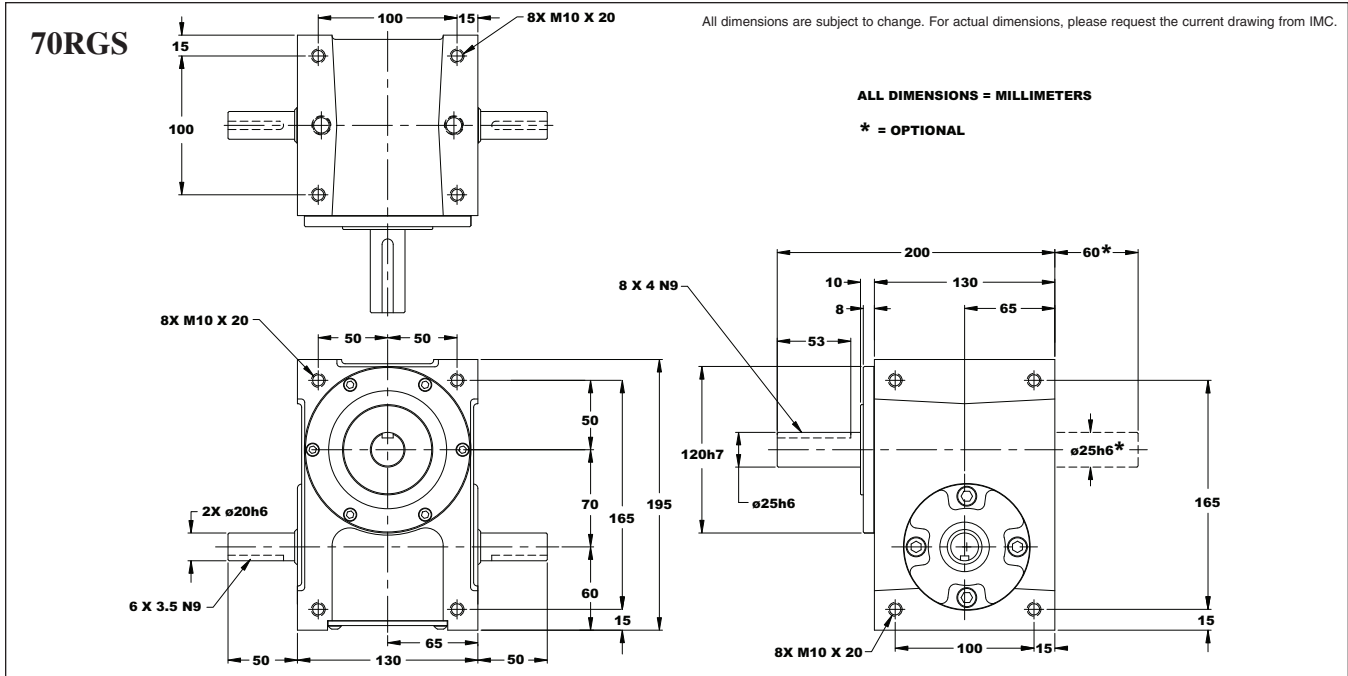
Technical Specifications

Output Load Capacity – loads carried during index

	RGD	RGS
Radial	2,833 lbs	560 lbs
Thrust/Axial	2,224 lbs	802 lbs
Moment	3,626 in-lbs	1,545 in-lbs

Accuracy ±50 arcsec / ±.0008" at 3" Radius

Repeatability ±13 arcsec / ±.0002" at 3" Radius



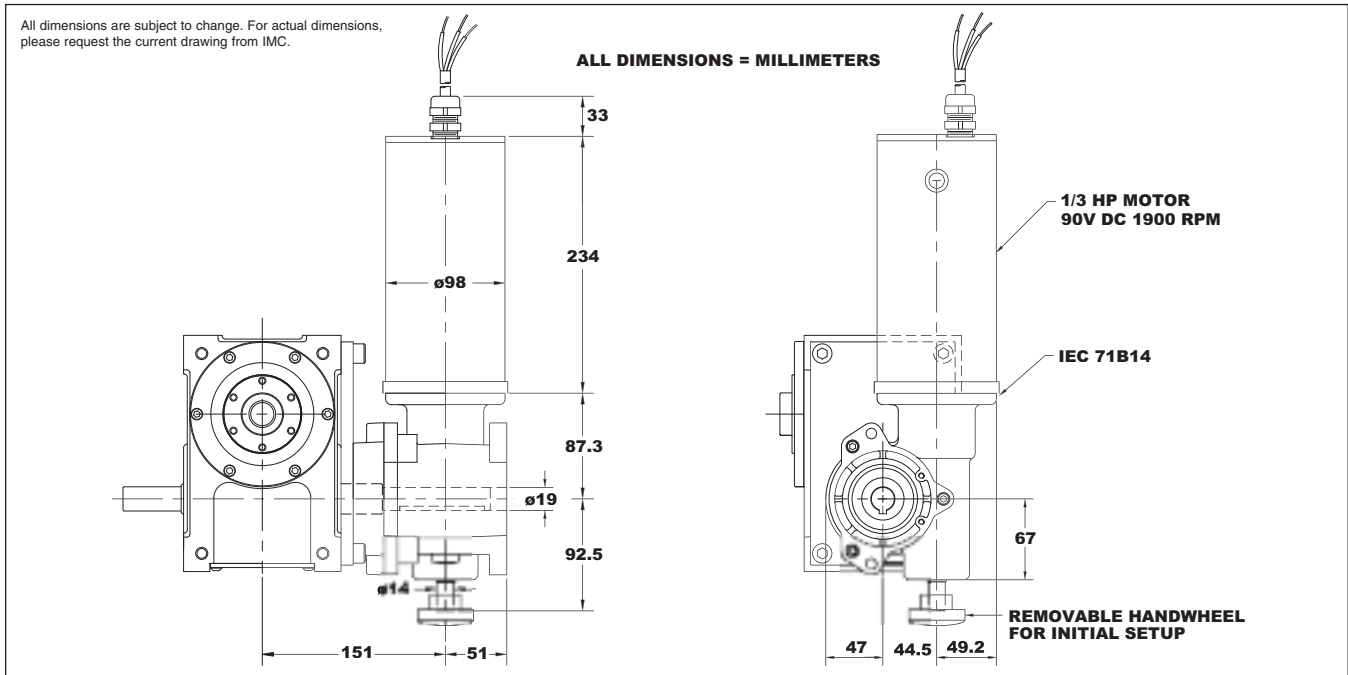
D

Standard Features

- ◆ Fully Metric
- ◆ Universal Mounting: mounting holes on any of 6 sides
- ◆ Center Through Hole (.75 in / 19 mm Diameter) in RGD version.
- ◆ Right Hand Cam

Accessories and Options

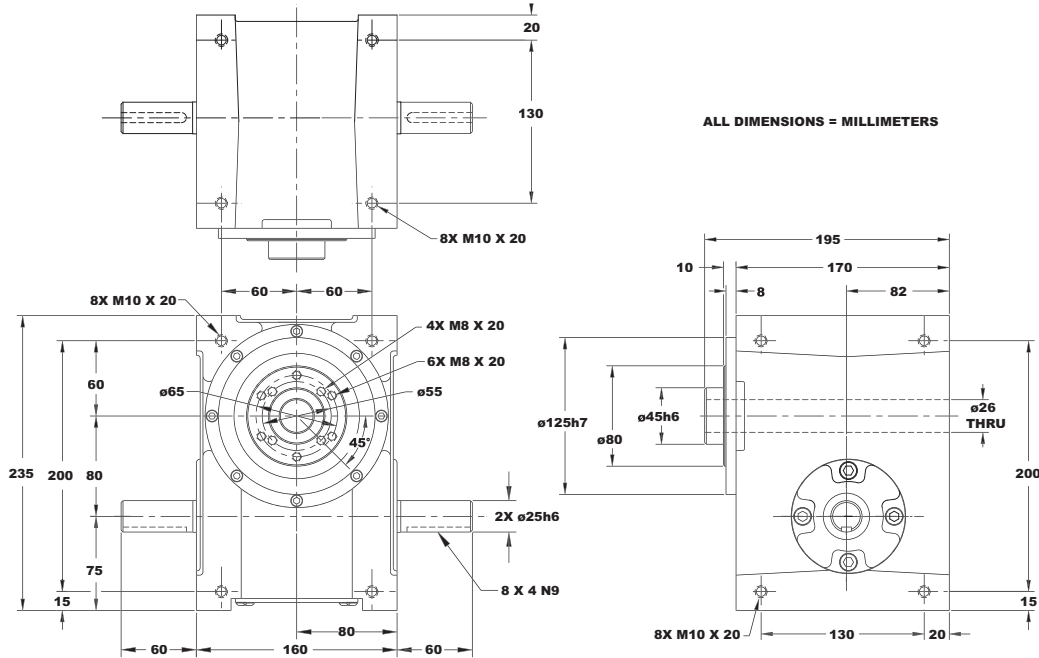
- ◆ R180 Reducer (Ratios from 5:1 to 60:1)
- ◆ 1/3 hp DC Motor with Varipak DC Motor Control (up to 30 cpm)
- ◆ 1/3 hp AC Drive Package with Inverter Duty Motor and Inverter Drive (up to 60 cpm)
- ◆ Single or Dual Cycle Cam and Limit Switch
- ◆ Output Overload Clutch Models: M70F, M70FC, M70S and M70C
 - Available Settings: 400, 600, 700, 850, 1000 in-lb or 45, 7, 80, 95, 115 Nm
- ◆ Left Hand Cam
- ◆ Relief in Dwell for shot-pin applications



80RGD/80RGS

80RGD

All dimensions are subject to change. For actual dimensions, please request the current drawing from IMC.



80RGD/RGS Indexer Capacities

Stops (S)	Index Period (β)	Motion	B ₁₀ Capacity at 50 RPM (in-lb)	RGD Internal Inertia (lb-in ²)	RGS Internal Inertia (lb-in ²)	Model*
2	330	ms	1144	16	17	80RG(D/S)2H24-330
	300	ms	1153	16	17	80RG(D/S)2H24-300
	270	msc.33	1388	16	17	80RG(D/S)2H24-270
3	270	ms	1422	16	17	80RG(D/S)3H24-270
	180	ms	1513	16	17	80RG(D/S)3H24-180
4	270	ms	1663	21	21	80RG(D/S)4H24-270
	180	msc.33	2377	21	21	80RG(D/S)4H24-180
6	270	ms	1524	18	19	80RG(D/S)6H28-270
	180	ms	1714	18	19	80RG(D/S)6H28-180
	120	ms	1823	18	19	80RG(D/S)6H28-120
8	90	msc.50	2323	18	19	80RG(D/S)6H28-90
	270	ms	1733	21	21	80RG(D/S)8H24-270
	180	ms	2072	21	21	80RG(D/S)8H24-180
12	120	ms	2388	21	21	80RG(D/S)8H24-120
	90	msc.33	2937	21	21	80RG(D/S)8H24-90
	270	ms	1011	20	20	80RG(D/S)12H18-270
	180	ms	1135	20	20	80RG(D/S)12H18-180
12	120	msc.33	1420	20	20	80RG(D/S)12H18-120
	90	msc.60	1725	20	20	80RG(D/S)12H18-90

* Specify "D" for Dial (Flange) Output or "S" for Shaft Output.

Other Motions (stops and index periods) available. Contact your IMC sales representative for more information.

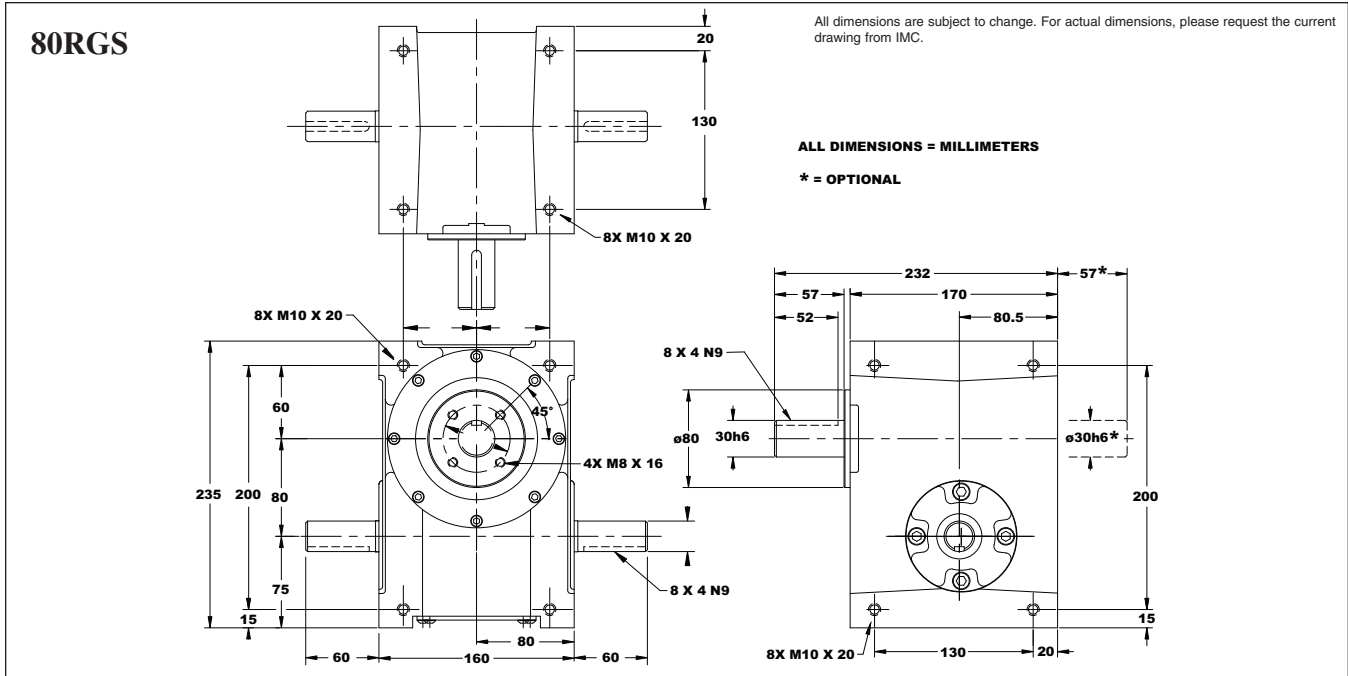
Technical Specifications

Output Load Capacity – loads carried during index

	RGD	RGS
Radial	4,790 lbs	1,189 lbs
Thrust/Axial	3,470 lbs	1,246 lbs
Moment	7,544 in-lbs	2,669 in-lbs

Accuracy ±48 arcsec / ±.0007" at 3" Radius

Repeatability ±12 arcsec / ±.0002" at 3" Radius

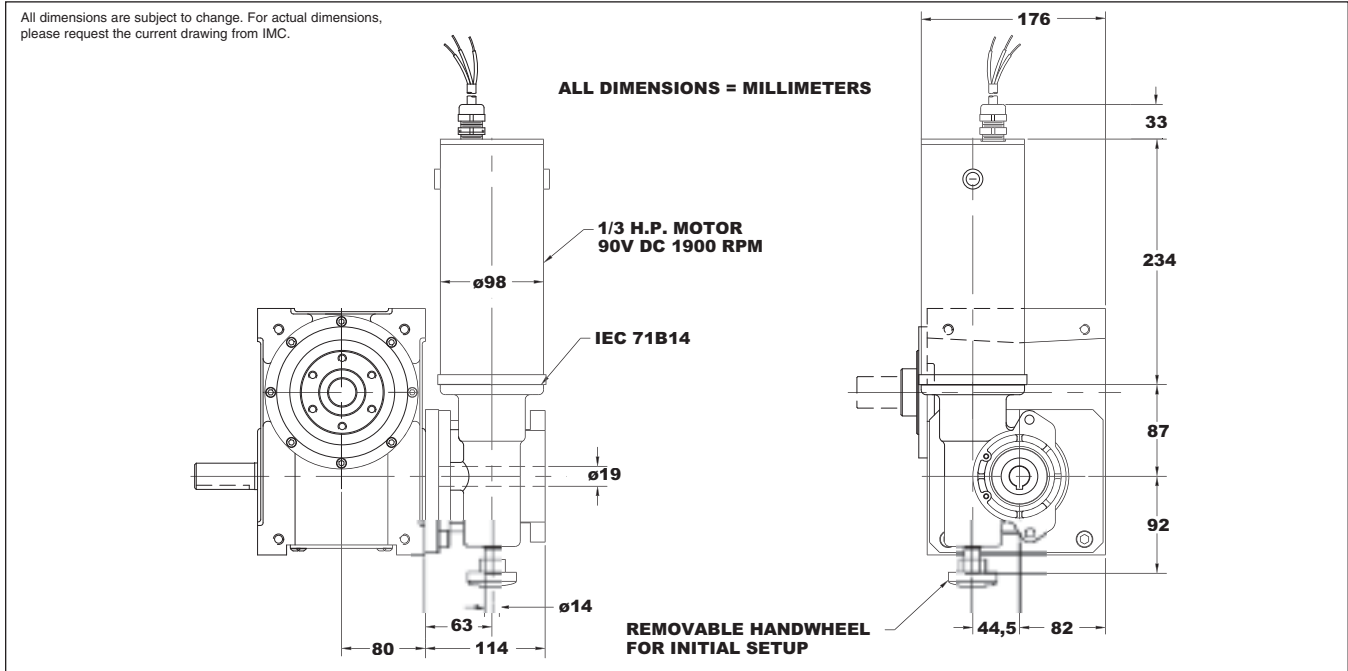


Standard Features

- ◆ Fully Metric
- ◆ Universal Mounting: mounting holes on any of 6 sides
- ◆ Center Through Hole (1.02 in. / 26 mm) in RGD version.
- ◆ Right Hand Cam

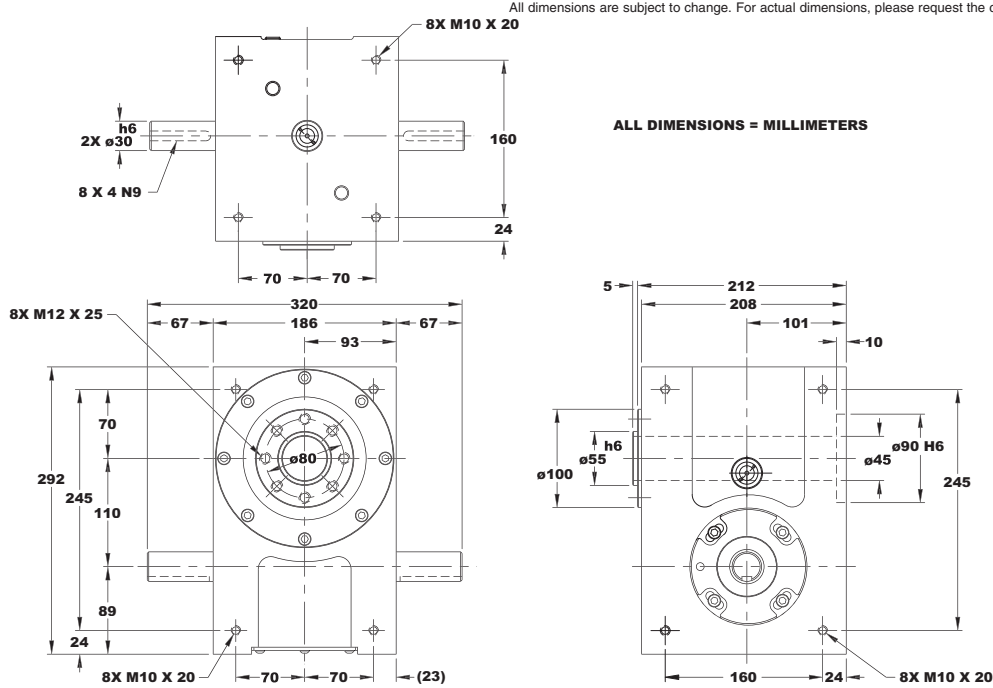
Accessories and Options

- ◆ R180 Reducer (Ratios from 5:1 to 60:1)
- ◆ 1/3 hp DC Motor with Varipak DC Motor Control (up to 30 cpm)
- ◆ 1/3 hp AC Drive Package with Inverter Duty Motor and Inverter Drive (up to 60 cpm)
- ◆ Single or Dual Cycle Cam and Limit Switch
- ◆ Output Overload Clutch Models: M80F, M80FC, M80S and M80C
 - Available Settings: 400, 600, 700, 850, 1000, 1300 in-lb or 45, 7, 80, 95, 115, 145 Nm
- ◆ Left Hand Cam
- ◆ Relief in Dwell for shot-pin applications



110RGD/110RGS

110RGD



110RGD/RGS Indexer Capacities

Stops (S)	Index Period (β)	Motion	B ₁₀ Capacity at 50 RPM (in-lb)	RGD Internal Inertia (lb-in ²)	RGS Internal Inertia (lb-in ²)	Model*
2	300	msc.33	5271	51	56	110RG(D/S)2H40-300
	270	msc.50	6126	51	56	110RG(D/S)2H40-270
3	270	ms	5609	51	56	110RG(D/S)3H40-270
	180	msc.50	7829	51	56	110RG(D/S)3H40-180
4	270	ms	3282	48	55	110RG(D/S)4H32-270
	180	msc.33	4147	48	55	110RG(D/S)4H32-180
	270	ms	7378	52	70	110RG(D/S)6H48-270
6	180	msc.33	9342	52	70	110RG(D/S)6H48-180
	120	msc.33	8127	51	56	110RG(D/S)6H40-120
	270	ms	3440	48	55	110RG(D/S)8H32-270
8	180	ms	3823	48	55	110RG(D/S)8H32-180
	120	ms	4149	48	55	110RG(D/S)8H32-120
	270	ms	2815	47	55	110RG(D/S)12H28-270
12	180	ms	3157	47	55	110RG(D/S)12H28-180
	120	ms	3367	45	51	110RG(D/S)12H24-120
	270	ms	1610	45	53	110RG(D/S)16H20-270
16	180	ms	1807	45	53	110RG(D/S)16H20-180
	120	ms	1992	45	53	110RG(D/S)16H20-120
	270	ms	3650	45	51	110RG(D/S)24H24-270 II
24	180	ms	4134	45	51	110RG(D/S)24H24-180 II

* Specify "D" for Dial (Flange) Output or "S" for Shaft Output.

Other Motions (stops and index periods) available. Contact your IMC sales representative for more information.

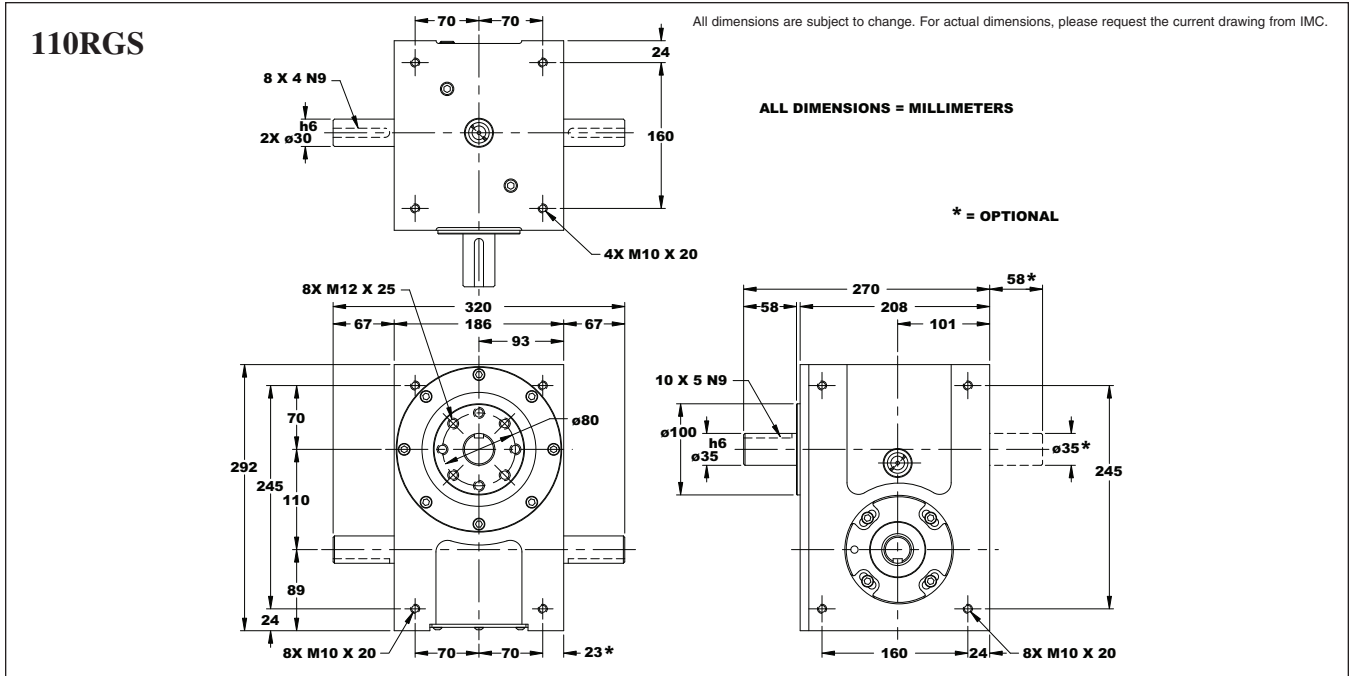
Technical Specifications

Output Load Capacity – loads carried during index

	RGD	RGS
Radial	5,613 lbs	1,856 lbs
Thrust/Axial	4,411 lbs	2,053 lbs
Moment	11,050 in-lbs	4,238 in-lbs

Accuracy ±30 arcsec / ±.0009" at 6" Radius

Repeatability ±8 arcsec / ±.0002" at 6" Radius

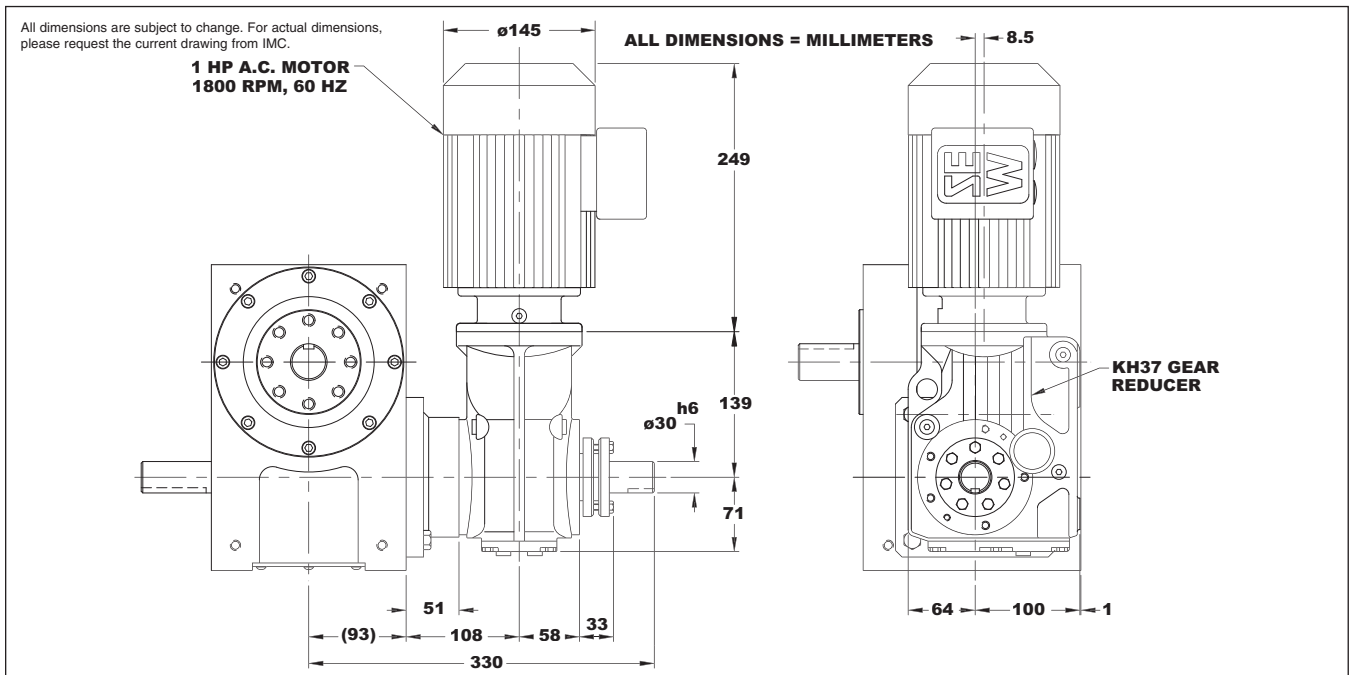


Standard Features

- ◆ Fully Metric
- ◆ Universal Mounting: mounting holes on any of 6 sides
- ◆ Center Through Hole (1.77 in. / 45 mm Diameter) in RGD version.
- ◆ Right Hand Cam

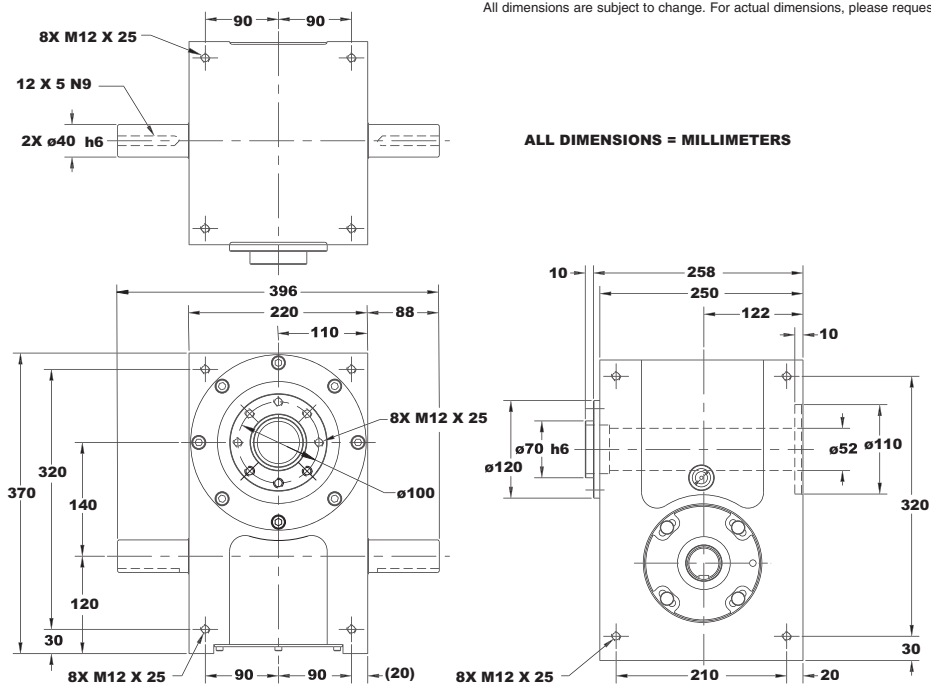
Accessories and Options

- ◆ KH37 Reducer
 - Ratios from 5.36:1 to 106.38:1 (consult factory for exact ratios available)
 - 1 hp AC Drive Package with Inverter Duty Motor and Inverter Drive (up to 60 cpm)
- ◆ Single or Dual Cycle Cam and Limit Switch
- ◆ Left Hand Cam
- ◆ Relief in Dwell for shot-pin applications



140RGD/140RGS

140RGD



140RGD/RGS Indexer Capacities

Stops (S)	Index Period (β)	Motion	B ₁₀ Capacity at 50 RPM (in-lb)	RGD Internal Inertia (lb-in ²)	RGS Internal Inertia (lb-in ²)	Model*
2	300	msc.33	7979	163	163	140RG(D/S)2H48-300
	270	ms	8434	163	163	140RG(D/S)3H48-270
3	180	msc.50	11989	163	163	140RG(D/S)3H48-180
	270	ms	7577	153	153	140RG(D/S)4H40-270
4	180	msc.33	10151	153	153	140RG(D/S)4H40-180
	270	ms	8924	163	163	140RG(D/S)6H48-270
6	180	ms	10156	163	163	140RG(D/S)6H48-180
	120	ms	10906	163	163	140RG(D/S)6H48-120
	270	ms	7929	153	153	140RG(D/S)8H40-270
8	180	ms	9175	153	153	140RG(D/S)8H40-180
	120	ms	10184	153	153	140RG(D/S)8H40-120
	270	ms	4516	147	147	140RG(D/S)12H32-270
12	180	ms	5067	147	147	140RG(D/S)12H32-180
	120	ms	5834	147	147	140RG(D/S)12H32-120
	270	ms	3617	154	154	140RG(D/S)16H24-270
16	180	ms	4169	154	154	140RG(D/S)16H24-180
	120	ms	4793	154	154	140RG(D/S)16H24-120
	270	ms	6185	147	147	140RG(D/S)24H32-270 II
24	180	ms	7011	147	147	140RG(D/S)24H32-180 II
	120	ms	7793	147	147	140RG(D/S)24H32-120 II

* Specify "D" for Dial (Flange) Output or "S" for Shaft Output.

Other Motions (stops and index periods) available. Contact your IMC sales representative for more information.

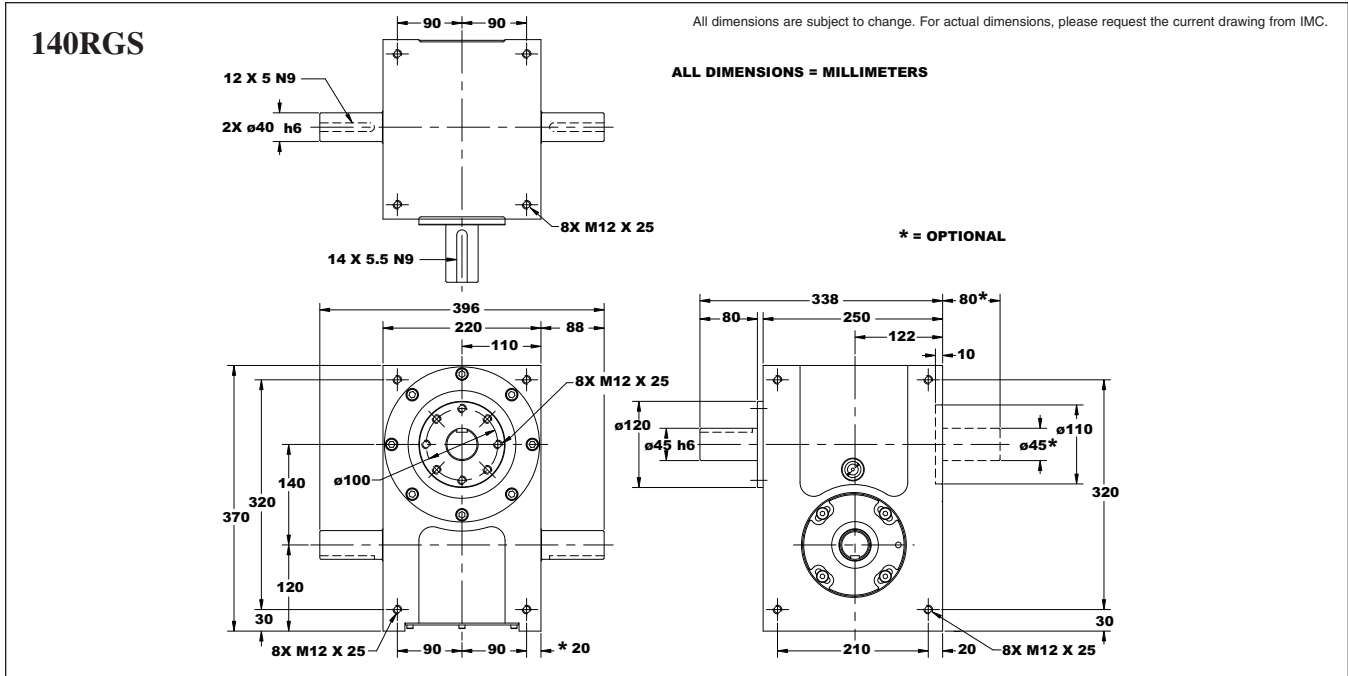
Technical Specifications

Output Load Capacity – loads carried during index

	RGD	RGS
Radial	8,447 lbs	2,600 lbs
Thrust/Axial	6,629 lbs	2,342 lbs
Moment	19,953 in-lbs	9,008 in-lbs

Accuracy ±25 arcsec / ±.0007" at 6" Radius

Repeatability ±6 arcsec / ±.0002" at 6" Radius

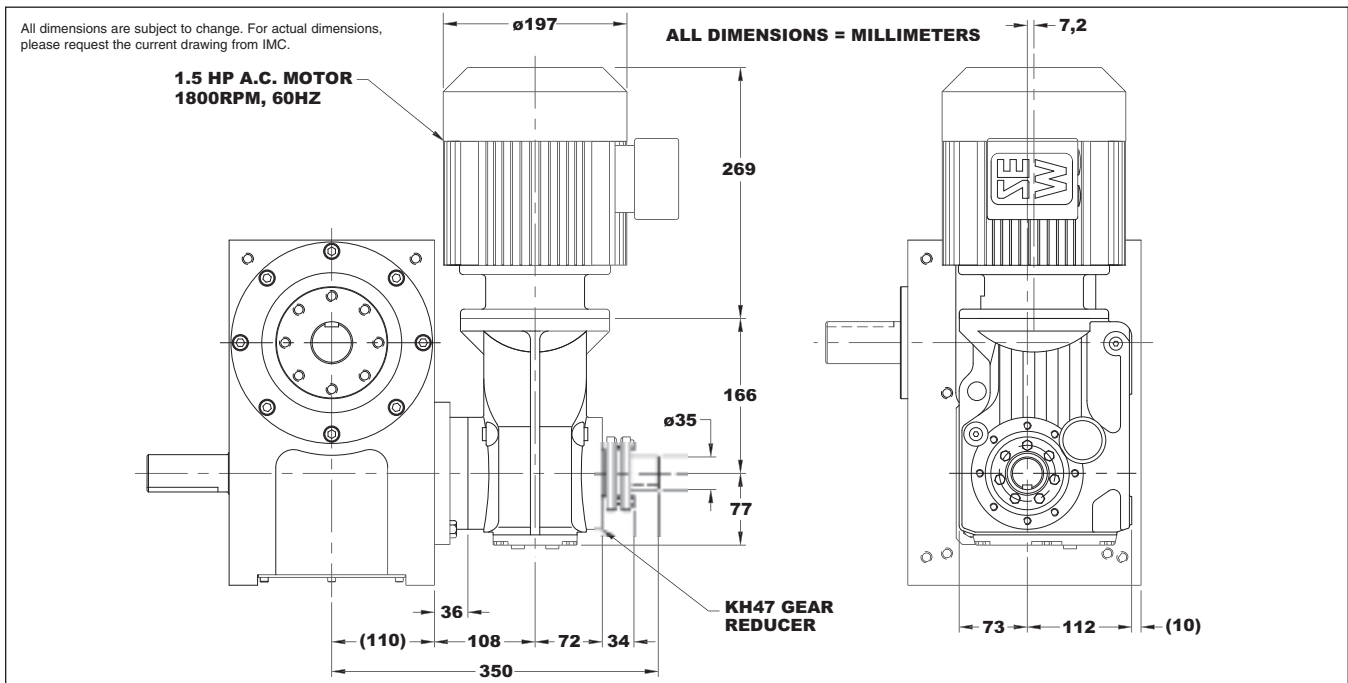


Standard Features

- ◆ Fully Metric
- ◆ Universal Mounting: mounting holes on any of 6 sides
- ◆ Center Through Hole (2.05 in. / 52 mm Diameter) in RGD version.
- ◆ Right Hand Cam

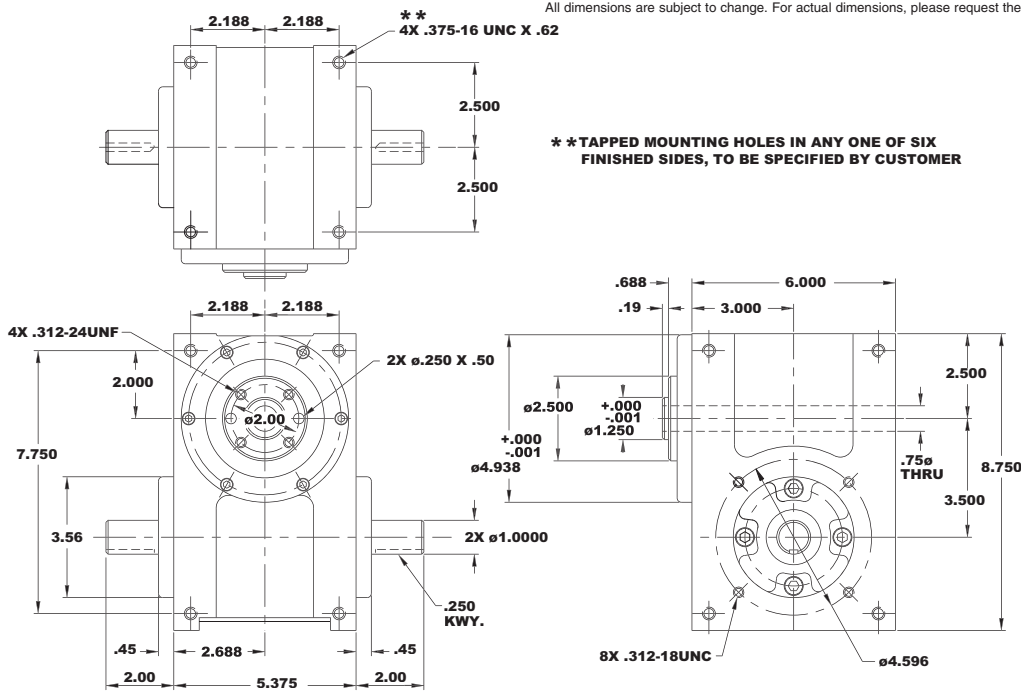
Accessories and Options

- ◆ KH47 Reducer
 - Ratios from 6.58:1 to 131.87:1 (consult factory for exact ratios available)
 - 1 or 1.5 hp AC Drive Package with Inverter Duty Motor and Inverter Drive (up to 60 cpm)
- ◆ Single or Dual Cycle Cam and Limit Switch
- ◆ Left Hand Cam
- ◆ Relief in Dwell for shot-pin applications



350RGD/350RGS

350RGD



350RGD/RGS Indexer Capacities

Stops (S)	Index Period (β)	Motion	B ₁₀ Capacity at 50 RPM (in-lb)	RGD Internal Inertia (lb-in ²)	RGS Internal Inertia (lb-in ²)	Model*
1	330	msc.50	1774	7.7	9.7	350RG(D/S)1H24-330
2	270	ms	1244	7.7	9.7	350RG(D/S)2H24-270
	180	msc.67	2047	7.7	9.7	350RG(D/S)2H24-180
3	270	ms	1530	7.7	9.7	350RG(D/S)3H24-270
	180	ms	1601	7.7	9.7	350RG(D/S)3H24-180
4	300	ms	1701	8.1	10.1	350RG(D/S)4H24-300
	270	ms	1767	8.1	10.1	350RG(D/S)4H24-270
	180	ms	2001	8.1	10.1	350RG(D/S)4H24-180
6	270	ms	1615	7.7	9.7	350RG(D/S)6H24-270
	180	ms	1791	7.7	9.7	350RG(D/S)6H24-180
	120	ms	1972	7.7	9.7	350RG(D/S)6H24-120
8	90	ms	2063	7.7	9.7	350RG(D/S)6H24-90
	270	ms	1840	8.1	10.1	350RG(D/S)8H24-270
	180	ms	2184	8.1	10.1	350RG(D/S)8H24-180
12	120	ms	2532	8.1	10.1	350RG(D/S)8H24-120
	90	ms	2716	8.1	10.1	350RG(D/S)8H24-90
	270	ms	1132	7.9	9.9	350RG(D/S)12H20-270
	180	ms	1269	7.9	9.9	350RG(D/S)12H20-180
12	120	ms	1396	7.9	9.9	350RG(D/S)12H20-120
	90	ms	1476	7.9	9.9	350RG(D/S)12H20-90

* Specify "D" for Dial (Flange) Output or "S" for Shaft Output.

Other Motions (stops and index periods) available. Contact your IMC sales representative for more information.

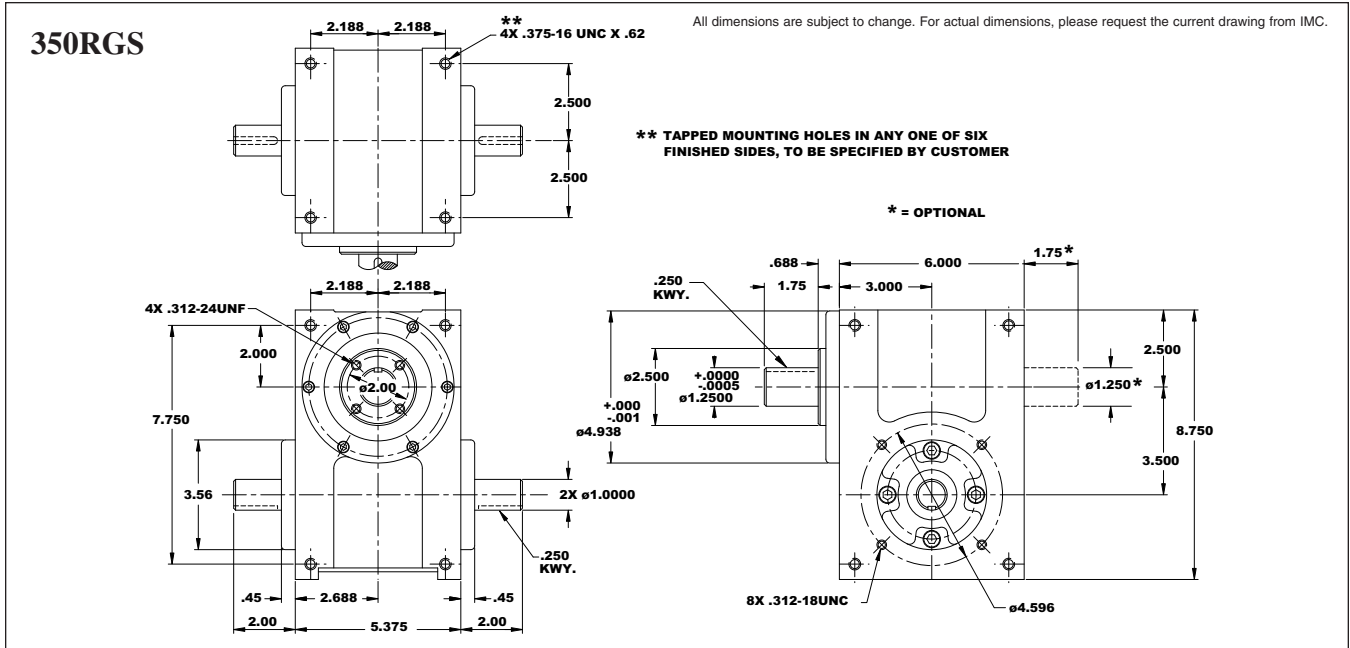
Technical Specifications

Output Load Capacity – loads carried during index

	RGD	RGS
Radial	1,935 lbs	1,808 lbs
Thrust/Axial	1,406 lbs	786 lbs
Moment	2,419 in-lbs	3,164 in-lbs

Accuracy ±41 arcsec / ±.0012" at 6" Radius

Repeatability ±10 arcsec / ±.0003" at 6" Radius

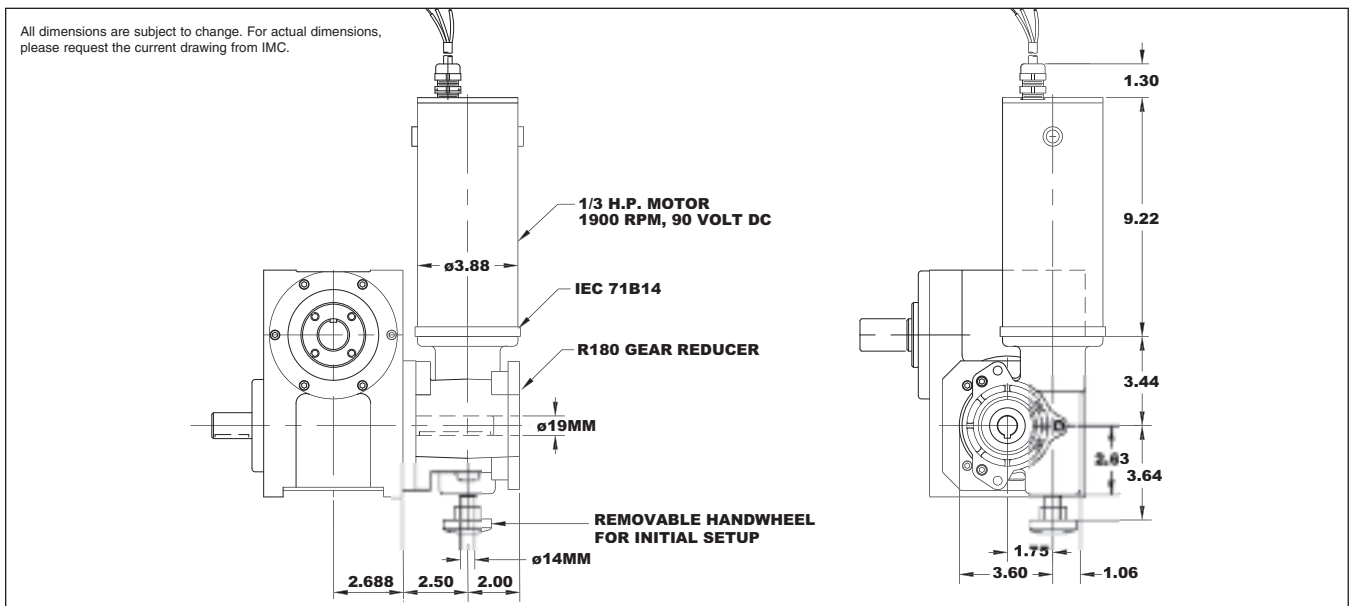


Standard Features

- ◆ Universal Mounting: mounting holes on any of 6 sides
- ◆ Right Hand Cam Standard
- ◆ Center Through Hole (.75. Diameter) in RGD version.

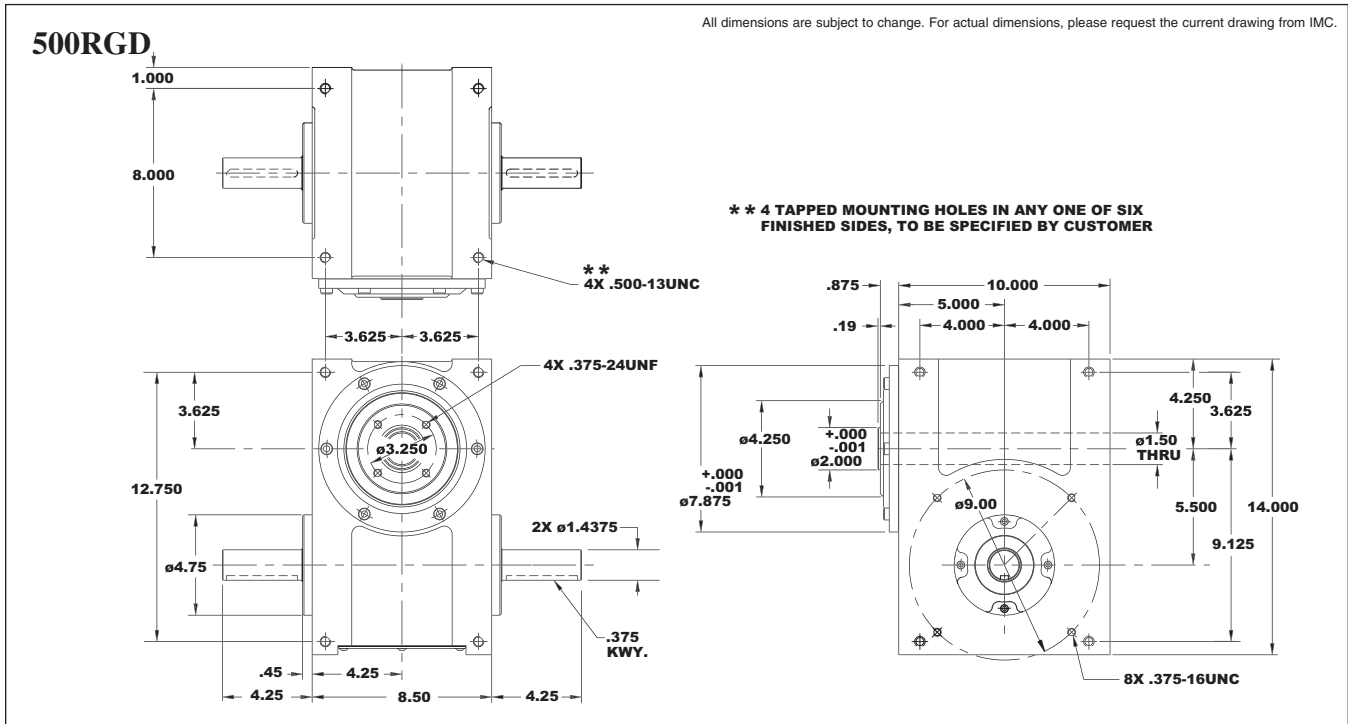
Accessories and Options

- ◆ R180 Reducer (Ratios from 5:1 to 60:1)
 - 1/3 hp DC Motor with Varipak DC Motor Control (up to 30 cpm)
 - 1/3 hp AC Drive Package with Inverter Duty Motor and Inverter Drive (up to 60 cpm)
- ◆ R225 Reducer (Ratios from 5:1 to 60:1)
 - 56C Motor Adapter and Coupling
 - 1 hp DC Motor with Varipak DC Motor Control (up to 30 cpm)
 - 1 hp AC Drive Package with Inverter Duty Motor and Inverter Drive (up to 60 cpm)
- ◆ Single or Dual Cycle Cam and Limit Switch
- ◆ Output Overload Clutch Models: 2.3F, 2.3FC, 2.3S and 2.3C
 - Settings (in-lbs): 400, 600, 700, 850, 1000, 1300, 1800, 2000, 2300
- ◆ Relief in Dwell for shot-pin applications
- ◆ Electric Clutch-Brake
- ◆ Air Clutch-Brake (with R225 Reducer only)
- ◆ Left Hand Cam
- ◆ Relief in Dwell for shot-pin applications



500RGD/500RGS

D



500RGD/RGS Indexer Capacities						
Stops (S)	Index Period (β)	Motion	B ₁₀ Capacity at 50 RPM (in-lb)	RGD Internal Inertia (lb-in ²)	RGS Internal Inertia (lb-in ²)	Model*
1	330	msec.60	6767	62	45	500RG(D/S)1H40-330
2	270	ms	4400	62	45	500RG(D/S)2H40-270
3	270	ms	5265	62	45	500RG(D/S)3H40-270
	180	ms	5706	62	45	500RG(D/S)3H40-180
4	270	ms	6121	66	48	500RG(D/S)4H40-270
	180	ms	6971	66	48	500RG(D/S)4H40-180
	120	msec.20	3892	60	42	500RG(D/S)4H32-120
6	270	ms	5464	62	45	500RG(D/S)6H40-270
	180	ms	6091	62	45	500RG(D/S)6H40-180
	120	ms	6641	62	45	500RG(D/S)6H40-120
	90	ms	6909	62	45	500RG(D/S)6H40-90
8	270	ms	6151	66	48	500RG(D/S)8H40-270
	180	ms	7006	66	48	500RG(D/S)8H40-180
	120	ms	7726	66	48	500RG(D/S)8H40-120
12	90	ms	8219	66	48	500RG(D/S)8H40-90
	270	ms	2616	58	40	500RG(D/S)12H28-270
	180	ms	2960	58	40	500RG(D/S)12H28-180
12	120	ms	3241	58	40	500RG(D/S)12H28-120
	90	ms	3449	58	40	500RG(D/S)12H28-90

* Specify "D" for Dial (Flange) Output or "S" for Shaft Output.

Other Motions (stops and index periods) available. Contact your IMC sales representative for more information.

Technical Specifications

Output Load Capacity – loads carried during index

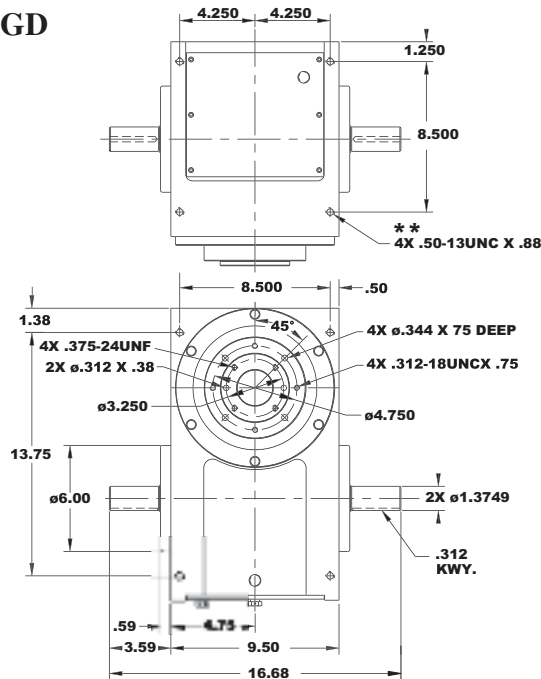
	RGD	RGS
Radial	4,004 lbs	3,767 lbs
Thrust/Axial	2,759 lbs	1,433 lbs
Moment	8,509 in-lbs	12,959 in-lbs

Accuracy ±29 arcsec / ±.0008" at 6" Radius

Repeatability ±7 arcsec / ±.0002" at 6" Radius

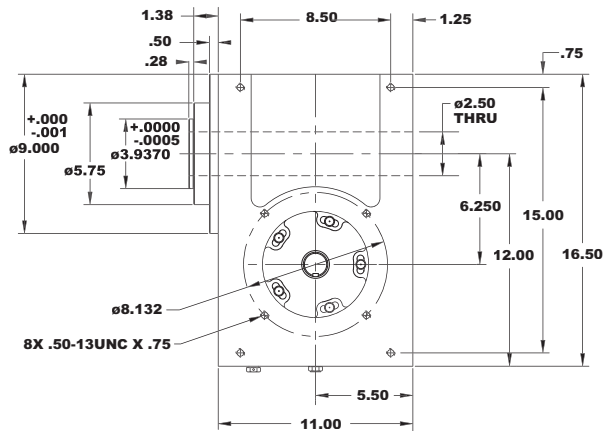
600RGD/600RGS

600RGD



All dimensions are subject to change. For actual dimensions, please request the current drawing from IMC.

**** 4 TAPPED MOUNTING HOLES IN ANY ONE OF SIX FINISHED SIDES, TO BE SPECIFIED BY CUSTOMER**



600RGD/RGS Indexer Capacities

Stops (S)	Index Period (β)	Motion	B ₁₀ Capacity at 50 RPM (in-lb)	RGD Internal Inertia (lb-in ²)	RGS Internal Inertia (lb-in ²)	Model*
2	300	ms	6516	256	137	600RG(D/S)2H48-300
3	270	ms	7955	256	137	600RG(D/S)3H48-270
	180	ms	8769	256	137	600RG(D/S)3H48-180
4	270	ms	6749	249	131	600RG(D/S)4H40-270
	180	ms	7477	249	131	600RG(D/S)4H40-180
	270	ms	8286	256	137	600RG(D/S)6H48-270
6	180	ms	9333	256	137	600RG(D/S)6H48-180
	120	ms	10286	256	137	600RG(D/S)6H48-120
	90	ms	10715	256	137	600RG(D/S)6H48-90
	270	ms	6928	244	126	600RG(D/S)8H40-270
8	180	ms	7747	244	126	600RG(D/S)8H40-180
	120	ms	8503	244	126	600RG(D/S)8H40-120
	90	ms	8936	244	126	600RG(D/S)8H40-90
12	270	ms	4091	244	126	600RG(D/S)12H32-270
	180	ms	4610	244	126	600RG(D/S)12H32-180
	120	ms	5096	244	126	600RG(D/S)12H32-120
	90	ms	5444	244	126	600RG(D/S)12H32-90
16	270	ms	9553	249	131	600RG(D/S)16H40-270 II
	120	ms	11684	249	131	600RG(D/S)16H40-120 II
	90	ms	12224	249	131	600RG(D/S)16H40-90 II

* Specify "D" for Dial (Flange) Output or "S" for Shaft Output.

Other Motions (stops and index periods) available. Contact your IMC sales representative for more information.

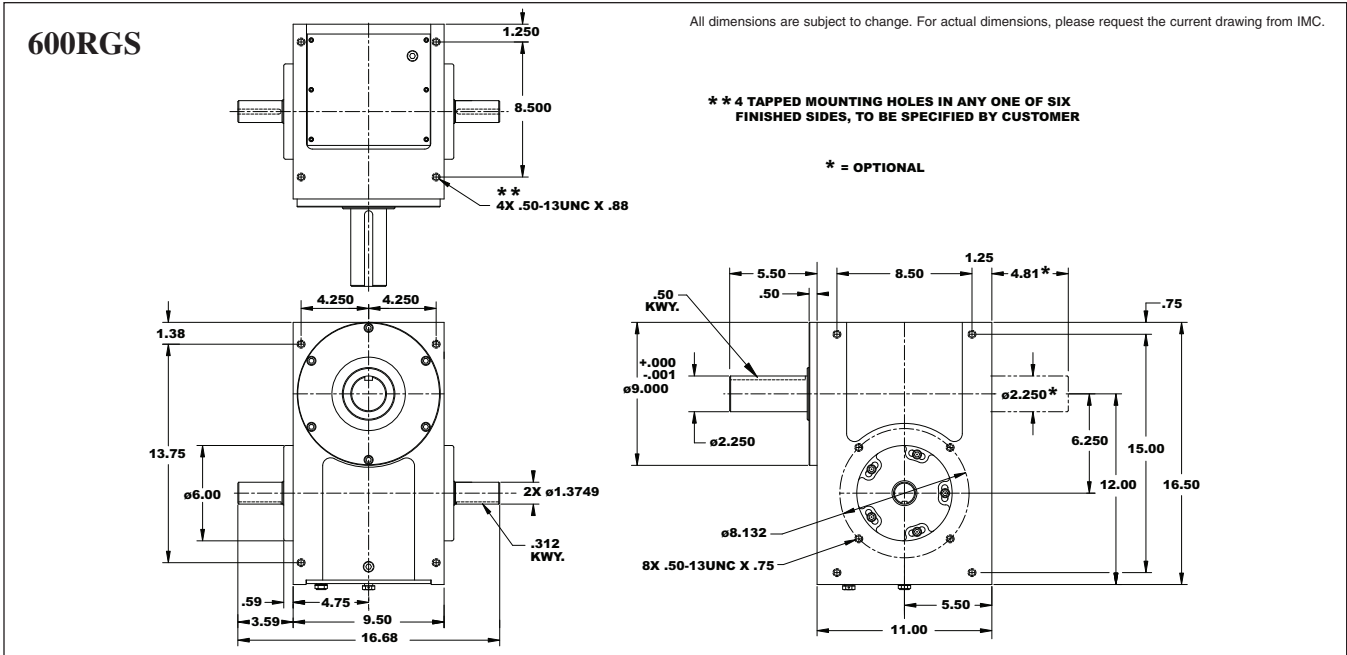
Technical Specifications

Output Load Capacity – loads carried during index

	RGD	RGS
Radial	5,667 lbs	3,828 lbs
Thrust/Axial	3,528 lbs	3,529 lbs
Moment	16,292 in-lbs	18,451 in-lbs

Accuracy ±40 arcsec / ±.0011" at 6" Radius

Repeatability ±10 arcsec / ±.0003" at 6" Radius



D

Standard Features

- ◆ Universal Mounting: mounting holes on any of 6 sides
- ◆ Right Hand Cam Standard
- ◆ Center Through Hole (2.50 in. Diameter) in RGD version.

Accessories and Options

- ◆ 7300C or 7350C Reducer (Ratios from 5:1 to 60:1)
- ◆ 1 or 2 hp DC Motor with Varipak DC Motor Control (up to 30 cpm)
- ◆ 1 or 2 hp AC Drive Package with Inverter Duty Motor and Inverter Drive (up to 60 cpm)
- ◆ Single or Dual Cycle Cam and Limit Switch
- ◆ Output Overload Clutch Models: 11FM, 11SM
 - Available Settings (in-lbs): 2300, 4000, 6000, 8500, 11000
- ◆ Left Hand Cam
- ◆ Relief in Dwell for shot-pin applications
- ◆ Electric Clutch-Brake
- ◆ Air Clutch-Brake
- ◆ Left Hand Cam
- ◆ Relief in Dwell for shot-pin applications

