

Features

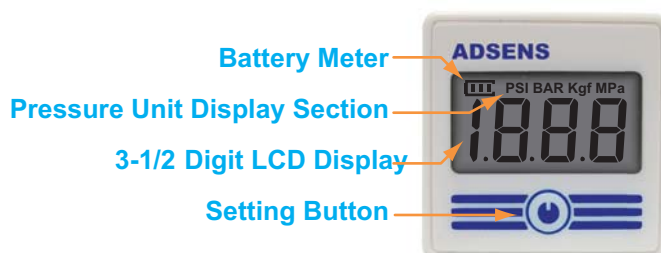
- Pressure unit on display
- User programmable pressure unit :
MPa 、kgf/cm² 、bar 、psi
- Accurate read out with wide viewing angle
- Energy efficient, battery last up to 3 years
- Replaceable CR2032 battery
- Dust and splash-proof IP65 enclosure
- CE and RoHs directives compliant
- 5 units/pack



SPECIFICATION

TYPE		AP60P	(Positive)
Rated pressure range		0.000 ~ 1.000 MPa (0~145 PSI)	
Withstand pressure		1.5 MPa (217.5 PSI)	
Applicable fluid		Filtered air, incombustible and non-corrosive gases	
Pressure resolution	MPa	0.001	
	kgf/cm ²	0.01	
	bar	0.01	
	psi	0.1	
Battery		CR 2032 lithium	
Battery life		3 years, (Display turn on 5 times / day)	
Low-power indicator		Yes	
Battery replaceable		Yes	
Turn-on interval		Display turns off after 30 sec.	
Sampling rate		2 Hz (2 times/sec.)	
Programmable pressure unit		User selectable: PSI, BAR, kgf/cm ² , and MPa	
Repeatability		≤ ±0.2% F.S. ±1digit	
LCD display		7 segment, 3-1/2 digit	
Indicator accuracy		≤ ±2% F.S. ±1 digit (ambient temperature: 25 ±3 °C)	
Environment	Enclosure	IP 65	
	Ambient temp. range	Operation: 0 ~ 50 °C, storage: -10 ~ 60 °C (No condensation or freezing)	
	Ambient humidity range	Operation/Storage: 35 ~ 85% RH (No condensation)	
	Vibration	Total amplitude 1.5mm or 10G, 10Hz-55Hz-10Hz scan for 1 minute, two hours each direction of X, Y and Z	
	Shock	100m/s ² (10G), 3 times each in direction of X, Y and Z	
Temperature characteristic		≤ ±2% F.S. of detected pressure (25 °C) at temp. range of 0~50 °C	
Weight		Approx. 40g	

PANEL DESCRIPTION



AP60 SERIES



Pressure switch

ORDERING INFORMATION

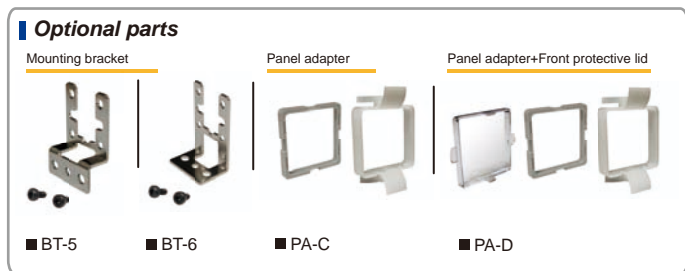
A P 6 0 P - F 1

Pressure Port

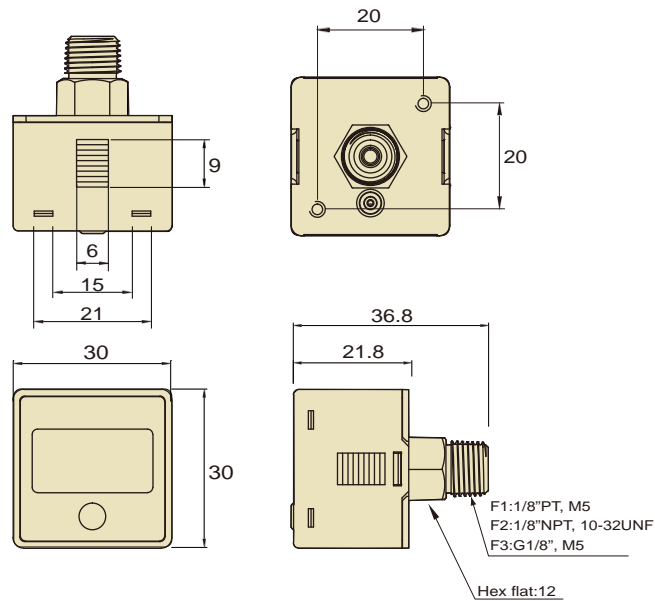
- F1 : 1/8" PT, M5
- F2 : 1/8" NPT, 10-32 UNF
- F3 : G1/8" , M5

Optional parts

- BT-5 : Mounting bracket
- BT-6 : Mounting bracket
- PA-C : Panel adapter
- PA-D : Panel adapter + Front protective lid



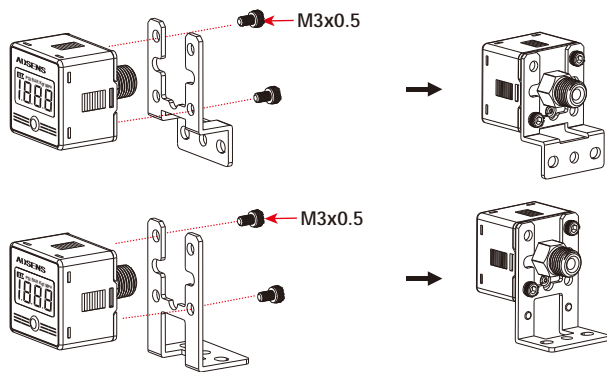
DIMENSIONS



Unit:mm

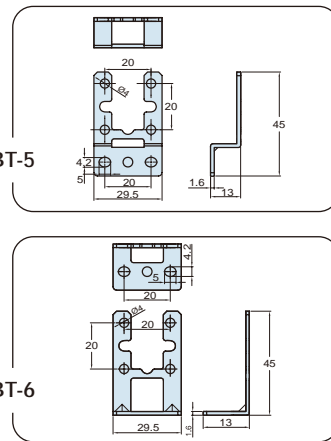
OPTIONAL PARTS DIMENSIONS

1 Mounting Bracket

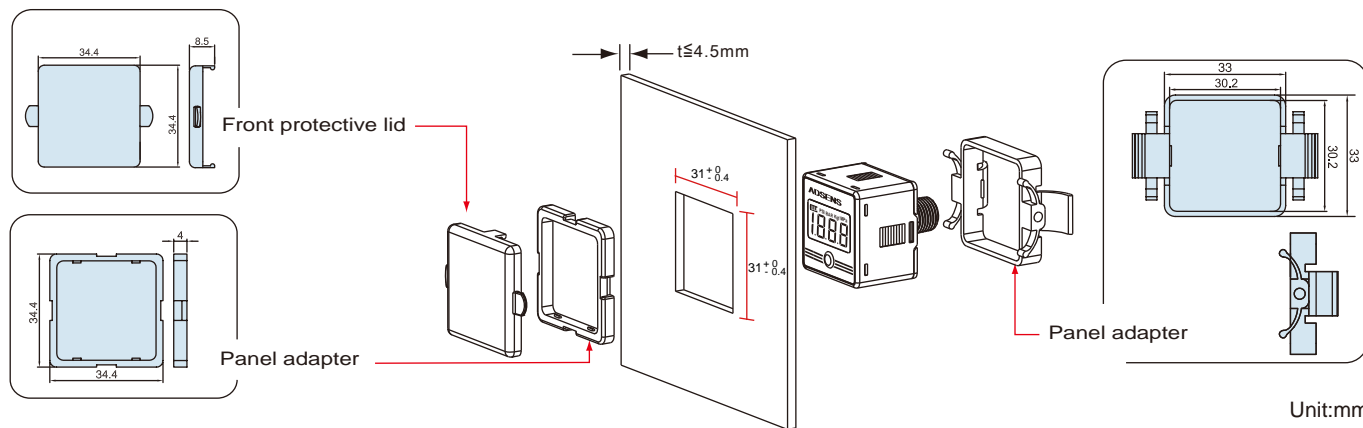


Mounting bracket BT-5

Mounting bracket BT-6



2 Panel Mount Adapter + Front Protective Lid



Unit:mm

Pressure Switch
Magnetic Switch
Circular Connector