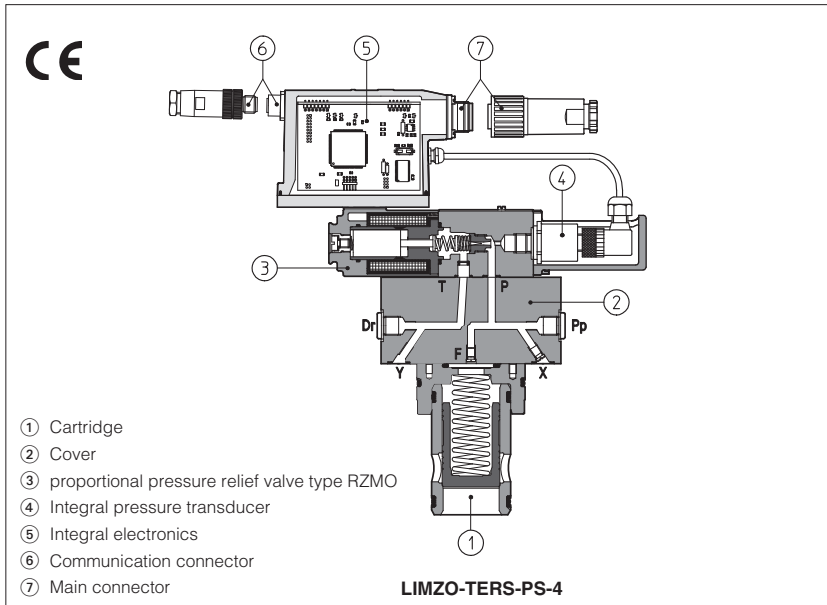


Proportional pressure control cartridges type LI*ZO-TERS, AERS

compensator, relief, reducing, with integral or remote pressure transducer, ISO 7368 sizes from 16 to 80



LICZO, LIMZO and LIRZO are 2-way proportional cartridges with integral or remote pressure transducer which respectively provide pressure compensation, relief and reducing controls according to the electronic reference signals.

They operate in association with electronic drivers, see section 4, which supply the proportional valve with proper current to align valve regulation to the reference signal supplied to the electronic driver.

These valves are composed by a 2-way cartridge ① and by a closing cover ② with a pilot proportional pressure relief valve ③ type RZMO, see tab. F010.

They are available in different executions:

- -TERS with integral pressure transducer ④ plus digital electronics ⑤ preset in closed loop, featuring improved static and dynamic performances.
- -AERS as -TERS but without integral pressure transducer (predisposed for connection of remote pressure transducer).

The integral electronics ensures factory presetting, fine functionality plus valve-to-valve interchangeability and simplified wiring and installation.

The electronic main connector ⑦ is fully interchangeable for -TERS and -AERS executions. Standard 7 pin connector is used for power supply, analog input reference and monitor signals.

12 pin connector is used for option /Z.

Following communication interfaces ⑥ are available:

- -PS, Serial communication interface for configuration, monitoring and firmware updating trough Atos PL software
- -BC, CANopen interface
- -BP, PROFIBUS DP interface

The valves with -BC and -BP interfaces can be integrated into a fieldbus communication network and thus digitally operated by the machine control unit.

Size: 16, 25, 32, 40, 50, 63, 80.

Max flow: up to 3000 l/min.

Max pressure: 350 bar.

1 MODEL CODE FOR COVERS

LIMZO - TERS - PS - 3 / 210 / * ** / *

Proportional cartridge valves
LICZO = pressure compensator
LIMZO = pressure relief
LIRZO = pressure reducing

TERS = with integral digital electronics and pressure transducer

AERS = as TERS but predisposed for connection of remote pressure transducer (to be ordered separately, see tab. G460)

Communication interfaces:

PS = Serial
BC = CANopen
BP = PROFIBUS DP

Size:

1 = 16; **2** = 25; **3** = 32; **4** = 40; **5** = 50 (not for LIRZO)
6 = 63; (only for LIMZO) **8** = 80; (only for LIMZO)

Pressure range:

100 = 100 bar **315** = 315 bar
210 = 210 bar **350** = 350 bar

Seals material:
omit for NBR (mineral oil & water glycol)
PE = FPM

Series number

Hydraulic options:

P = with integral mechanical pressure limiter (standard for size 1, 2 and 3)

Electronics options, see section 8:

I = current reference input and monitor (4 ÷ 20 mA) signals

Z = double power supply, enable, fault and monitor signals (12 pin connector)

C = remote pressure transducer with current feedback 4 ÷ 20 mA (only for AERS executions)

2 MODEL CODE FOR CARTRIDGES

SC LI - 32 31 2 ** / *

Cartridge according to ISO 7368

Size: **16; 25; 32; 40; 50; 63; 80**

Type of cartridge, see section 3 for functions

31 = for LIMZO and LICZO **36** = for LICZO **37** = for LIRZO

Seals material:
omit for NBR (mineral oil & water glycol)
PE = FPM

Series number

Spring cracking pressure:

2 = 1,5 bar for poppet 31
3 = 3 bar; **6** = 6 bar for poppet 31 and 36
4 = 4 bar; **7** = 7 bar for poppet 37

3 TYPICAL FUNCTIONS OF CARTRIDGES

Type	Functional sketch (hydraulic symbol)	Typical section	Area ratio (1)
31			1:1
36			1:1
37			1:1

(1) It is the ratio of the area A to the area on which the pilot pressure is applied.

4 ELECTRONIC DRIVERS FOR LICZO, LIMZO, LIRZO

Valve model	-TERS	-AERS
Drivers model	E-RI-TERS	E-RI-AERS
Data sheet	G205	

Note: for power supply and communication connector see section 15

5 HYDRAULIC CHARACTERISTICS (based on mineral oil ISO VG 46 at 50 °C)

Hydraulic symbols																
Valve model	LICZO-TERS, -AERS					LIMZO-TERS, -AERS							LIRZO-TERS, -AERS			
Valve size	16	25	32	40	50	16	25	32	40	50	63	80	16	25	32	40
Max flow [l/min]	200	400	750	1000	2000	200	400	750	1000	2000	3000	4500	160	300	550	800
Min regulated pres. at port A [bar]	9	8,5	8	13	15	7	7	7	10,5	12	12	(1)	7			
Min regulated pres. at port A for /350 [bar]	11	10	10	13	16	10	10	9	12	13	13	16	12			
Max regulated pres. at port A [bar]	100; 210; 315; 350					100; 210; 315; 350							100; 210; 315; 350			
Response time 0-100% step signal (depending on installation) -see section 12.4 [ms]	80-300					80-350							80-200			
Hysteresis [% of regulated max pres.]	≤ 0,5															
Linearity [% of regulated max pres.]	≤ 1															
Repeatability [% of regulated max pres.]	≤ 0,2															
Thermal drift	zero point displacement < 1% at ΔT = 40°C															

(1) consult our technical office

6 MAIN CHARACTERISTICS OF PROPORTIONAL PRESSURE CARTRIDGES TYPE LI*ZO

Assembly position	Any position
Subplate surface finishing	Roughness index Ra 0,4 - flatness ratio 0,01/100 (ISO 1101)
Ambient temperature	-20°C ÷ +50°C for -TERS and -AERS
Fluid	Hydraulic oil as per DIN 51524 ... 535 for other fluids see section 11
Recommended viscosity	15 ÷ 100 mm ² /s at 40°C (ISO VG 15÷100)
Fluid contamination class	ISO 4406 class 20/18/15 NAS 1638 class 9, in line filters of 10 μm (β ₁₀ ≥ 75 recommended)
Fluid temperature	-20°C +60°C (standard seals and water glycol) -20°C +80°C (/PE seals)
Coil resistance R at 20°C	3 ÷ 3.3 Ω
Max solenoid current	2,6 A
Max power	40 Watt
Protection degree (CEI EN-60529)	IP67
Relative duty factor	Continuous rating (ED=100%)

7 GENERAL NOTES

LI*ZO proportional valves are CE marked according to the applicable Directives (e.g. Immunity/Emission EMC Directive and Low Voltage Directive).

Installation, wirings and start-up procedures must be performed according to the general prescriptions shown in table F003 and in the installation notes supplied with relevant components.

The electrical signals of the valve (e.g. monitor signals) must not be directly used to activate safety functions, like to switch-ON/OFF the machine's safety components, as prescribed by the European standards (Safety requirements of fluid technology systems and components-hydraulics, EN-982).

8 DIGITAL INTEGRAL DRIVERS -AERS and -TERS -OPTIONS

Standard driver execution provides on the 7 pin main connector:

Power supply - 24Vdc must be appropriately stabilized or rectified and filtered; a 2,5 A safety fuse is required in series to each driver power supply
Apply at least a 10000 μF/40 V capacitance to single phase rectifiers or a 4700 μF/40 V capacitance to three phase rectifiers

Reference input signal - analog differential input with 0÷+10 Vdc nominal range (pin D,E), proportional to desired valve pressure regulation

Monitor output signal - analog output signal proportional to the actual valve pressure regulation = 0÷+10 Vdc nominal range

Following options are available to adapt standard execution to special application requirements:

8.1 Option /I

It provides 4÷20 mA current reference and monitor signals instead of the standard 0÷+10 Vdc.

It is normally used in case of long distance between the machine control unit and the valve or where the reference signal can be affected by electrical noise; the valve functioning is disabled in case of reference signal cable breakage.

8.2 Option /Z

It provides on 12 pin main connector the following additional features

Logic power supply

Separated power supply for the solenoid (pin 1, 2) and for the digital electronic circuits (pin 9, 10).

Cutting solenoid power supply allows to interrupt the valve functioning but keeping energized the digital electronics thus avoiding fault conditions of the machine fieldbus controller. This condition allows to realize safety systems in compliance with European Norms EN13849-1 (ex EN954-1).

Enable Input Signal

To enable the driver, supply 24Vdc on pin 3 referred to pin 2: when the Enable signal is set to zero the valve functioning is disabled (zero current to the solenoid) but the driver current output stage is still active.

Fault Output Signal

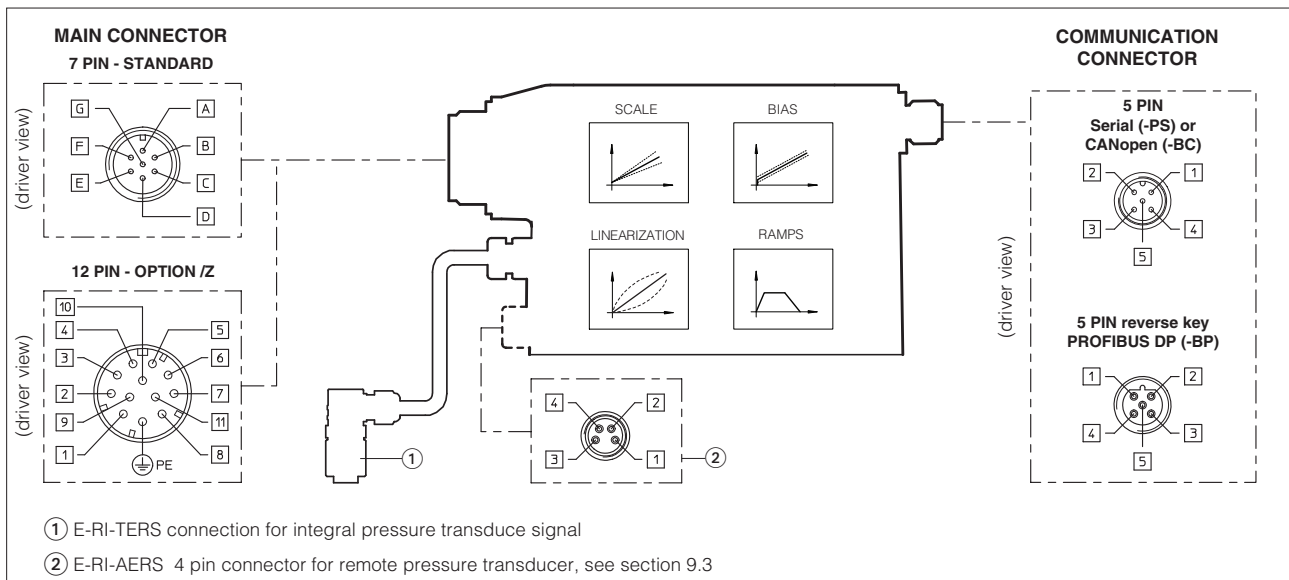
Fault output signal indicates fault conditions of the driver (solenoid short circuits/not connected, reference signal cable broken for 4÷20mA input, etc.). Fault presence corresponds to 0 Vdc, normal working corresponds to 24Vdc (pin 11 referred to pin 2): Fault status is not affected by the Enable input signal

8.3 Option /C (only for -AERS version)

The valve electronics is set to receive the 4÷20 mA feedback signal from the remote pressure transducer, instead of the standard 0÷10 V.

8.4 Possible combined options: /CI, /CIZ, /CZ (only for -AERS) and /IZ.

9 BLOCK DIAGRAM



9.1 ELECTRONIC CONNECTIONS - 7 & 12 PIN MAIN CONNECTOR

Standard 7pin	/Z option 12pin	SIGNAL	TECHNICAL SPECIFICATIONS	NOTES
A	1	V+	Power supply 24 Vdc for solenoid power stage (and for driver logic on 7 pin connection)	Input - power supply
B	2	V0	Power supply 0 Vdc for solenoid power stage (and for driver logic on 7 pin connection)	Gnd - power supply
-	3	ENABLE	Enable (24 Vdc) or disable (0 Vdc) the driver	Input - on/off signal
D	4	INPUT+	Reference analog input: ± 10 Vdc maximum range (4 \div 20 mA for /I option) Normal working range 0 \div +10 Vdc (4 \div 20 mA for /I option)	Input - analog signal
E	-	INPUT -	differential INPUT+ and INPUT- (for 7 pin standard execution) common mode INPUT+ referred to AGND (only for /Z option)	
C	5	AGND	Ground : signal zero for MONITOR signal (pin F of 7 pin standard or pin 6 of /Z option) signal zero for INPUT+ signal (only for /Z option)	Gnd - analog signal
F	6	MONITOR	Monitor analog output: ± 10 Vdc maximum range (4 \div 20 mA for /I option)	Output - analog signal
-	7	NC	do not connect	
-	8	NC	do not connect	
-	9	VL+	Power supply 24 Vdc for driver's logic	Input - power supply
-	10	VLO	Power supply 0 Vdc for driver's logic	Gnd - power supply
-	11	FAULT	Driver status: Fault (0Vdc) or normal working (24 Vdc)	Output - on/off signal
G	PE	EARTH	Internally connected to driver housing	

Note: A minimum time of 270 to 590 ms have be considered between the driver energizing with the 24 Vdc power supply and when the valve is ready to operate. During this time the current to the valve coils is switched to zero

9.2 ELECTRONIC CONNECTIONS - 5 PIN COMMUNICATION CONNECTORS

PIN	-PS Serial		-BC CANopen		-BP PROFIBUS DP	
	SIGNAL	TECHNICAL SPECIFICATION	SIGNAL	TECHNICAL SPECIFICATION	SIGNAL	TECHNICAL SPECIFICATION
1	NC	do not connect	CAN_SHLD	Shield	+5V	for termination
2	NC	do not connect	NC	do not connect	LINE-A	Bus line (high)
3	RS_GND	Signal zero data line	CAN_GND	Signal zero data line	DGND	data line and termination Signal zero
4	RS_RX	Valves receiving data line	CAN_H	Bus line (high)	LINE-B	Bus line (low)
5	RS_TX	Valves transmitting data line	CAN_L	Bus line (low)	SHIELD	

9.3 ELECTRONIC CONNECTIONS - 4 PIN REMOTE PRESSURE TRANSDUCER M8 CONNECTOR (only for AERS)

PIN	standard version		/C option (Ri = 316 Ω)	
1	TR	remote trasducer pressure signal (0 \div +10 Vdc)	TR	remote trasducer pressure signal (4 \div 20 mA)
2	NC	reserved (do not connect)	NC	reserved (do not connect)
3	VT	remote transducer power supply +24 Vdc	VT	remote transducer power supply +24 Vdc
4	AGND	signal zero for power supply and signal	NC	reserved (do not connect)

See tab. G465 for the pressure transducer characteristics and connections.

10 SOFTWARE TOOLS

The driver configuration and parameters can be easily set with the Atos E-SW programming software, available in three different versions according to the driver's communication execution: E-SW-PS (Serial), E-SW-BC (CANopen) and E-SW-BP (PROFIBUS DP).

For a more detailed description of software interface, PC requirements, adapters, cables and terminators, please refer to technical table G500.

Programming software, must be ordered separately:

E-SW-* (mandatory - first supply) = Dvd including E-SW-***** software installer and operator manuals; it allows the registration to Atos digital service

E-SW-***-N** (optional - next supplies) = as above but not allowing the registration to Atos digital service

On first supply of the E-SW-***** software, it is required to apply for the registration in the Atos download area: www.download.atos.com.

Once the registration is completed, the password will be sent by email.

The software remains active for 10 days from the installation date and then it stops until the user inputs his password.

With the password you can also download, in your personal area, the latest releases of the Atos software, manuals, drivers and configuration files.

11 DIAGRAMS OF LICZO/LIMZO (based on mineral oil ISO VG 46 at 50 °C)

11.1 Regulation diagrams

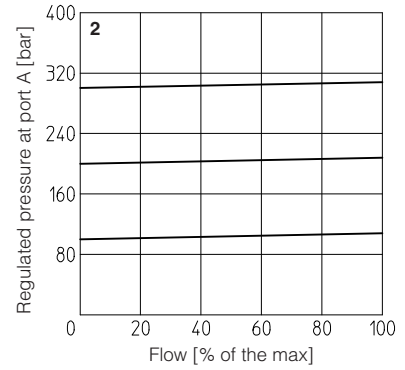
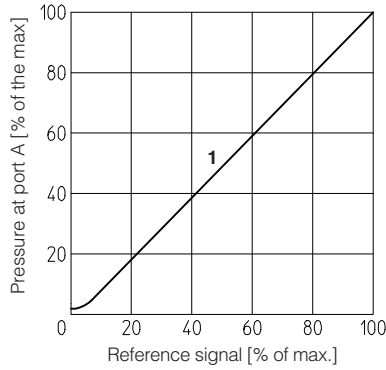
1 = LICZO-TERS, LICZO-AERS,
LIMZO-TERS, LIMZO-AERS

Note:

The presence of counter pressure at port T can affect the effective pressure regulation.

11.2 Pressure/flow diagrams

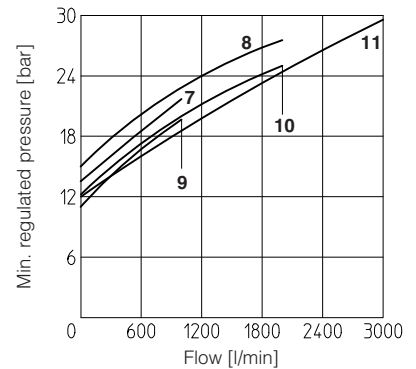
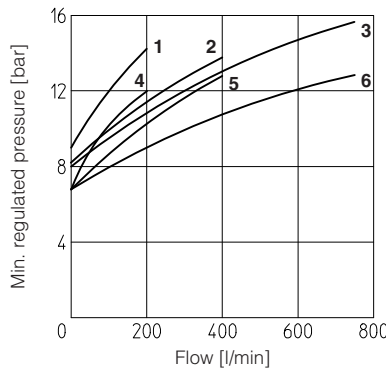
2 = LICZO-AERS, LICZO-TERS
LIMZO-AERS, LIMZO-TERS



11.3 Min. pressure/flow diagrams
with zero reference signal

- 1 = LIMZO-*-1
- 2 = LIMZO-*-2
- 3 = LIMZO-*-3
- 4 = LICZO-*-1
- 5 = LICZO-*-2
- 6 = LICZO-*-3
- 7 = LICZO-*-4
- 8 = LICZO-*-5
- 9 = LIMZO-*-4
- 10 = LIMZO-*-5
- 11 = LIMZO-*-6

Note: for LIMZO-*-8 consult our technical office



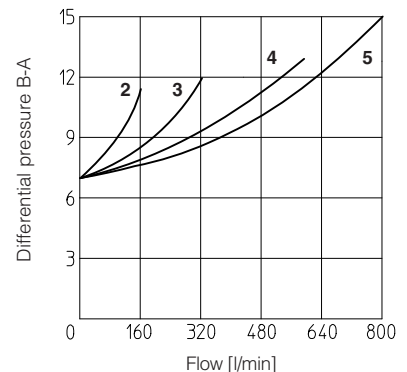
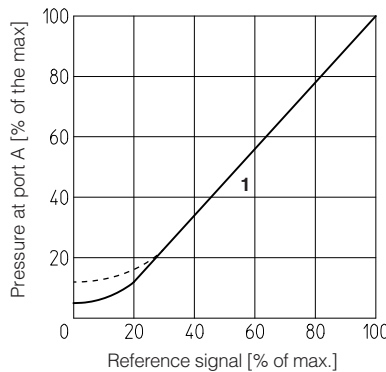
12 DIAGRAMS OF LIRZO (based on mineral oil ISO VG 46 at 50 °C)

12.1 Regulation diagrams

1 = LIRZO-TERS, LIRZO-AERS

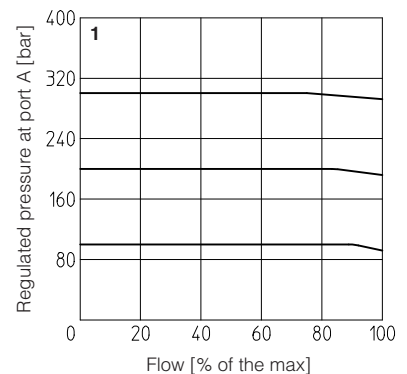
12.2 Min. pressure/flow diagrams
with zero reference signal

- 2 = LIRZO-*-1
- 3 = LIRZO-*-2
- 4 = LIRZO-*-3
- 5 = LIRZO-*-4
- - - dotted line = /350



12.3 Pressure/flow diagrams

1 = LIRZO-AERS, LIRZO-TERS

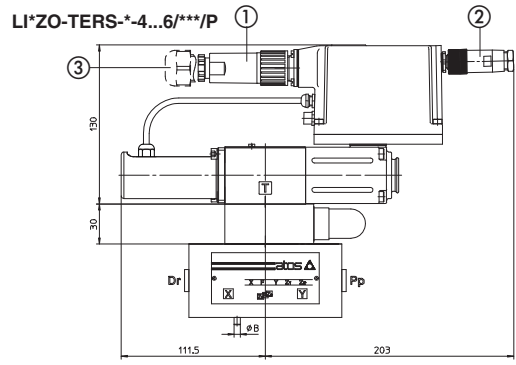
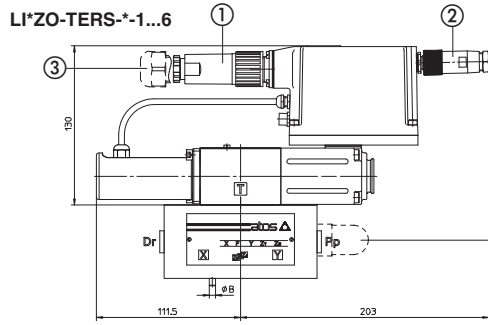


12.4 Dynamic response

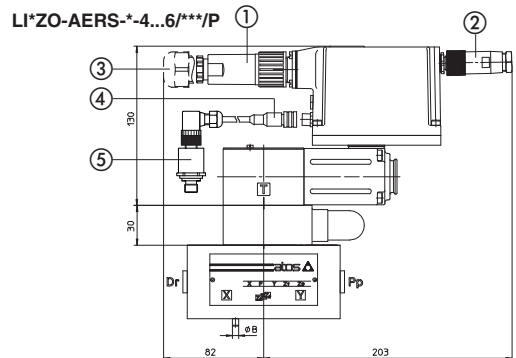
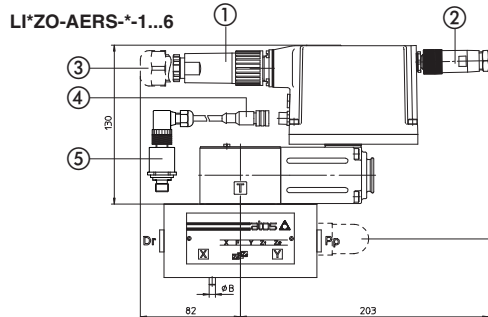
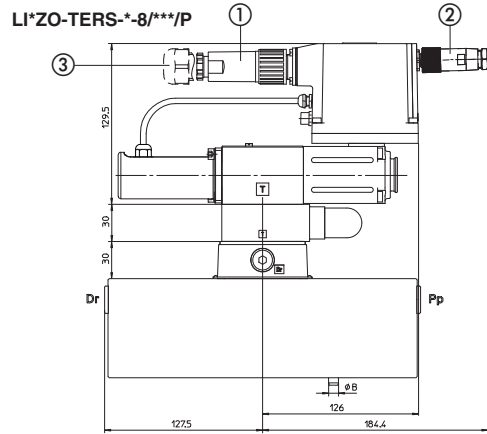
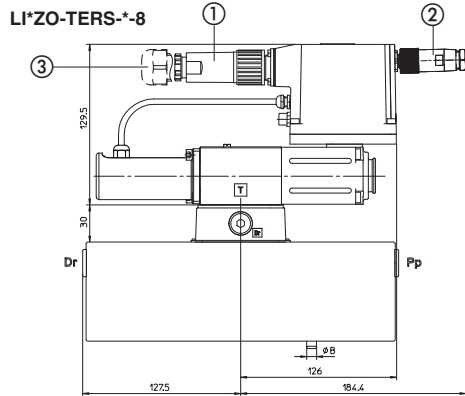
The response times in section 5 have to be considered as average values.

The integral closed loop control of -TERS and -AERS valves is affected by the stiffness of the hydraulic circuit: greater is the stiffness of the circuit, faster is the dynamic response. The valves dynamic performances can be optimized depending on the stiffness characteristics of the hydraulic circuit, by setting the internal software parameters. This regulation is particularly helpful in case of circuits with accumulators and/or with great fluid volumes and/or with long hoses.

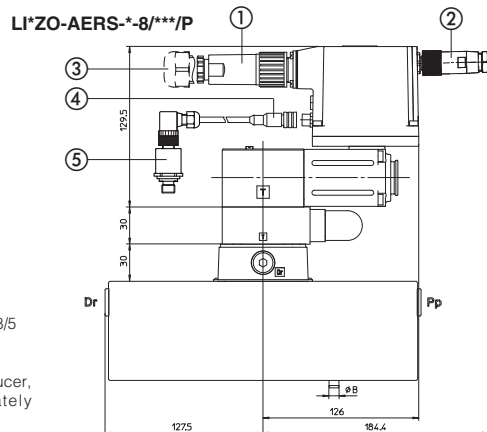
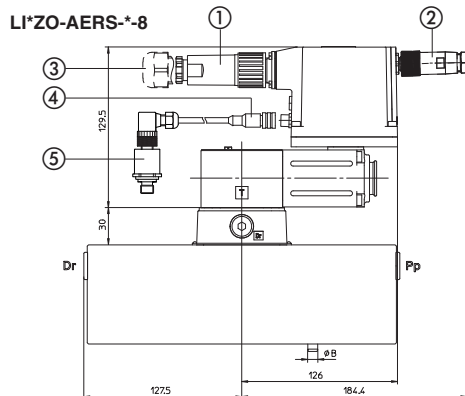
13 COVER DIMENSIONS of LI*ZO-TERS and -AERS [mm]



Dotted line
Integral mechanical
pressure limiter
(only for size 1 to 3)

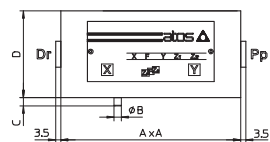


Dotted line
Integral mechanical
pressure limiter
(only for size 1 to 3)



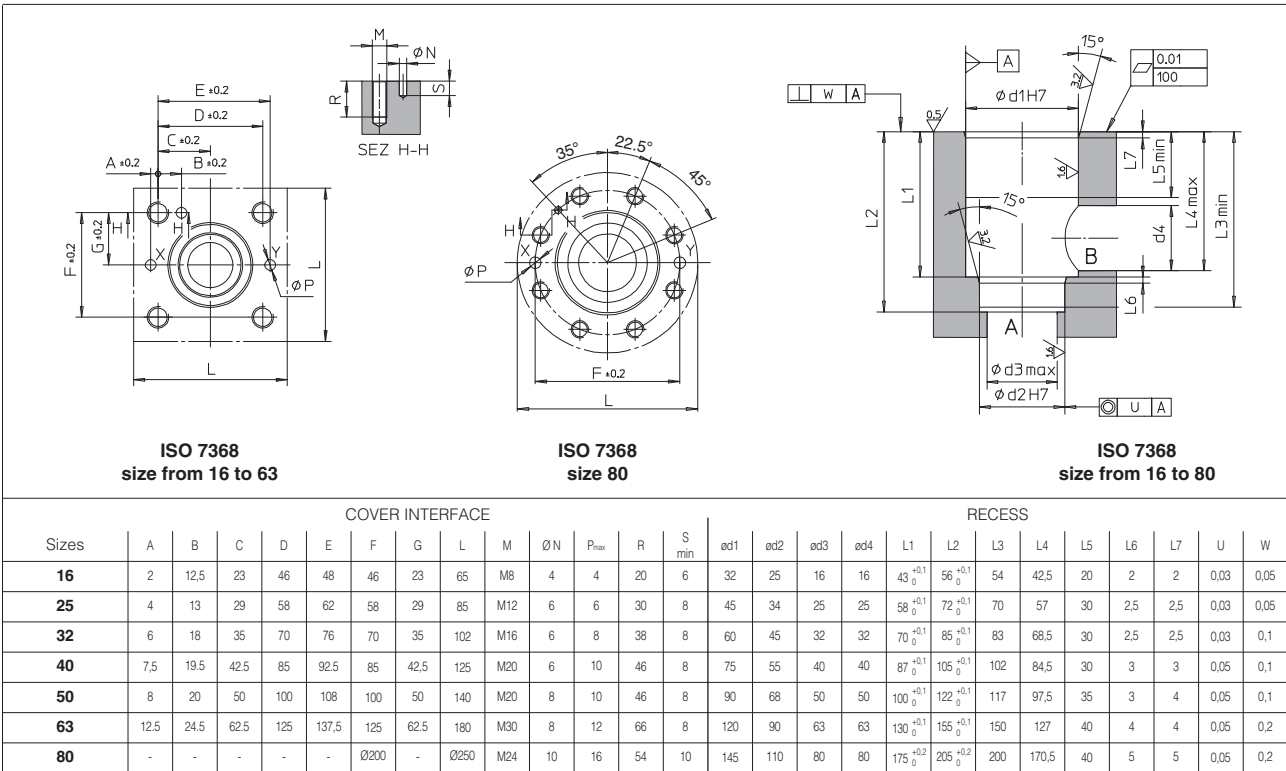
- ① = ZH-7P or ZM-7P
- ② = ZH-5P/BP (for -BP)
ZH-5P (for -PS and -BC)
- ③ = 12 pin connector
ZH-12P (option/Z)
- ④ = 4 pin connector ZH-4P-M8/5
(see tab. G205)
- ⑤ = remote pressure transducer,
to be ordered separately
(see tab. G465)

Sizes	A	∅B	C	D	Port Pp-Dr	Seal	Fastening bolts class 12.9	Tightening torque Nm	Mass (Kg)
16	65 ⁽¹⁾	3	4	40	-	2 OR 108	n° 4 M8x45	35	4,3
25	85	5	6	40	-	2 OR 108	n° 4 M12x45	125	4,8
32	100	5	6	50	-	2 OR 2043	n° 4 M16x55	300	6,1
40	125	5	6	60	G 1/4	2 OR 2050	n° 4 M20x70	600	9,7 ⁽²⁾
50	140	6	4	70	G 1/4	2 OR 2050	n° 4 M20x80	600	13,2 ⁽²⁾
63	180	6	4	80	G 3/8	2 OR 2056	n° 4 M30x90	2100	22,4 ⁽²⁾
80	250	8	6	80	G 3/8	2 OR 123	n° 8 M24x90	1000	33,8 ⁽²⁾



(1) Cover is not squared, dimensions 65x80
(2) For option /P the mass is increased by 1,4 Kg

14 COVER INTERFACE AND RECESS DIMENSIONS [mm]



15 MODEL CODES OF POWER SUPPLY AND COMMUNICATION CONNECTORS (to be ordered separately)

VALVE VERSION	-AERS, -TERS		-AERS/Z -TERS/Z	-Serial (-PS) or CANopen (-BC)	PROFIBUS DP (-BP)	Pressure transducer only for -AERS
CONNECTOR CODE	ZH-7P	ZM-7P	ZH-12P	ZH-5P	ZH-5P/BP	ZH-4P-M8/5 (1)
PROTECTION DEGREE	IP67	IP67	IP65	IP67	IP67	IP67
DATA SHEET	G205, K500					

(1) M8 connector ZH-4P-M8/5 moulded on cable 5 mt lenght for pressure transducer