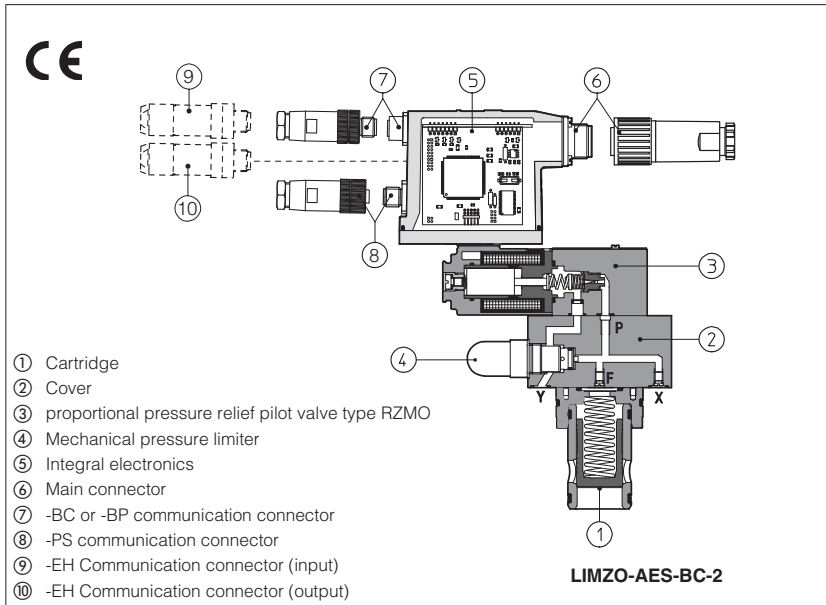


Proportional pressure control cartridges type LI*ZO-AES

compensator, relief, reducing, without integral pressure transducer, ISO 7368 sizes from 16 to 80



LICZO, LIMZO and LIRZO are 2-way proportional cartridges without integral pressure transducer which provide respectively pressure compensation, relief and reducing controls according to the electronic reference signals.

They operate in association with electronic drivers, see table 4 which supply the proportional valve with proper current to align valve regulation to the reference signal supplied to the electronic driver.

These valves are composed by a 2-way cartridge ① housed into a standard ISO/DIN cavity and by a closing cover ② with a piloting proportional pressure relief valve ③ type RZMO, see tab. F007.

They are available in different executions:

- -A, without integral pressure transducer.
- -AE, -AES, as -A plus analogue (AE) or digital (AES) integral electronics ⑤.

The integral electronics ⑤ ensures factory presetting, fine functionality plus valve-to-valve interchangeability and simplified wiring and installation.

The electronic main connector ⑥ is fully interchangeable for -AE and -AES executions. Standard 7 pin connector is used for power supply, analog input reference and monitor signals.

12 pin connector is used for option /Z (AES).

Following communication interfaces ⑦, ⑧, ⑨, ⑩ are available for the digital -AES execution:

- -PS, Serial communication interface for configuration, monitoring and firmware updating through Atos PC software - always present also for -BC
- -BC, CANopen interface
- -BP, PROFIBUS-DP interface
- -EH, EtherCAT interface

The valves with -BC and -BP interfaces can be integrated into a fieldbus communication network and thus digitally operated by the machine control unit.

The coils are fully plastic encapsulated with insulation class H.

Size: 16, 25, 32, 40, 50, 63, 80.

Max flow: up to 3000 l/min.

Max pressure: 350 bar.

1 MODEL CODE FOR COVERS

LIMZO - AES - PS - 3 / 210 / * ** / *

Proportional cartridge valves
LICZO = pressure compensator
LIMZO = pressure relief
LIRZO = pressure reducing

A = without integral transducer
AE = as A plus integral electronics
AES = as A plus integral digital electronics

Communication interfaces (only for AES)

PS = Serial (1)
BC = CANopen
BP = PROFIBUS DP
EH = EtherCAT

Size:

1 = 16; **2** = 25; **3** = 32; **4** = 40; **5** = 50 (not for LIRZO)
6 = 63; (only for LIMZO) **8** = 80; (only for LIMZO)

Pressure range:

50 = 50 bar
100 = 100 bar **315** = 315 bar
210 = 210 bar **350** = 350 bar

(1) Serial interface always present, also for -BC and -BP options

Seals material:
 omit for NBR (mineral oil & water glycol)
PE = FPM

Series number

Hydraulic options:

P = with integral mechanical pressure limiter (standard for size 1, 2 and 3)

Coil voltage (only for -A execution) see section 7:

- = standard coil for 24V_{DC} Atos drivers

6 = optional coil for 12V_{DC} Atos drivers

18 = optional coil for low current drivers

Electronics options for -AE execution, see section 9:

I = current reference (4÷20 mA)

Q = enable signal

Electronics options for -AES execution, see section 13:

Q = enable signal

Z = adds double power supply, enable and fault signals (12 pin connector)

2 MODEL CODE FOR CARTRIDGES

SC LI - 32 31 2 ** / *

Cartridge according to ISO 7368

Size: the same of relative cover

Type of cartridge, see section 3 for functions

31 = for LIMZO and LICZO **36** = for LICZO **37** = for LIRZO

Seals material:
 omit for NBR (mineral oil & water glycol)
PE = FPM

Series number

Spring cracking pressure:

2 = 1,5 bar for poppet 31

3 = 3 bar; **6** = 6 bar for poppet 31 and 36

4 = 4 bar; **7** = 7 bar for poppet 37

3 TYPICAL FUNCTIONS OF CARTRIDGES

Type	Functional sketch (hydraulic symbol)	Typical section	Area ratio (1)
31			1:1
36			1:1
37			1:1

(1) It is the ratio of the area A to the area on which the pilot pressure is applied.

4 ELECTRONIC DRIVERS FOR LI*ZO

Valve model	-A						-AE	-AES
Drivers model	E-MI-AC-01F	E-MI-AS-IR	E-BM-AC-01F	E-BM-AS-PS	E-ME-AC-01F	E-RP-AC-01F	E-RI-AE	E-RI-AES
Data sheet	G010	G020	G025	G030	G035	G100	G110	G115

Note: for power supply and communication connector see section 15

5 HYDRAULIC CHARACTERISTICS (based on mineral oil ISO VG 46 at 50 °C)

Hydraulic symbols																
Valve model	LICZO-A, -AE, -AES					LIMZO-A, -AE, -AES						LIRZO-A, -AE, -AES				
Valve size	16	25	32	40	50	16	25	32	40	50	63	80	16	25	32	40
Max flow [l/min]	200	400	750	1000	2000	200	400	750	1000	2000	3000	4500	160	300	550	800
Min regulated pres. at port A [bar]	9	8,5	8	13	15	7	7	7	10,5	12	12	(1)	7			
Min regulated pres. at port A for /350 [bar]	11	10	10	13	16	10	10	9	12	13	13	16	12			
Max regulated pres. at port A [bar]	50; 100; 210; 315; 350					50; 100; 210; 315; 350						50; 100; 210; 315; 350				
Response time 0-100% step signal (depending on installation) [ms]	100-400					100-450						100-350				
Hysteresis [% of regulated max pres.]	≤ 2					≤ 1,5						≤ 2				
Linearity [% of regulated max pres.]	≤ 3					≤ 3						≤ 3				
Repeatability [% of regulated max pres.]	≤ 2					≤ 2						≤ 2				

(1) consult our technical office

Above performance data refer to valves coupled with Atos electronic drivers, see section 2.

6 MAIN CHARACTERISTICS

Assembly position	Any position
Subplate surface finishing	Roughness index Ra 0,4 - flatness ratio 0,01/100 (ISO 1101)
Ambient temperature	-20°C ÷ +70°C for -A execution; -20°C ÷ +60°C for -AE and -AES;
Fluid	Hydraulic oil as per DIN 51524 ... 535 for other fluids see section 11
Recommended viscosity	15 ÷ 100 mm ² /s at 40°C (ISO VG 15÷100)
Fluid contamination class	ISO 4406 class 20/18/15 NAS 1638 class 9, in line filters of 10 μm (β ₁₀ ≥ 75 recommended)
Fluid temperature	-20°C +60°C (standard seals) -20°C +80°C (/PE seals)
Coil resistance R at 20°C	3 ÷ 3,3 Ω for standard; 2 ÷ 2,2 Ω for option /6; 13 ÷ 13,4 Ω for option /18
Max solenoid current	2,6 A for standard 12 V _{dc} coil; 3,25 A for 6 V _{dc} coil; 1,5 A for 18 V _{dc} coil
Max power	30 Watt -A execution; 50 Watt for -AE and AES executions
Protection degree (CEI EN-60529)	IP65 for -A execution; IP67 for -AE and AES executions
Relative duty factor	Continuous rating (ED=100%)

7 GENERAL NOTES

L*ZO proportional valves are CE marked according to the applicable Directives (e.g. Immunity/Emission EMC Directive and Low Voltage Directive).

Installation, wirings and start-up procedures must be performed according to the general prescriptions shown in table F003 and in the installation notes supplied with relevant components.

The electrical signals of the valve (e.g. monitor signals) must not be directly used to activate safety functions, like to switch-ON/OFF the machine's safety components, as prescribed by the European standards (Safety requirements of fluid technology systems and components-hydraulics, EN-982).

8 OPTIONS FOR -A EXECUTION

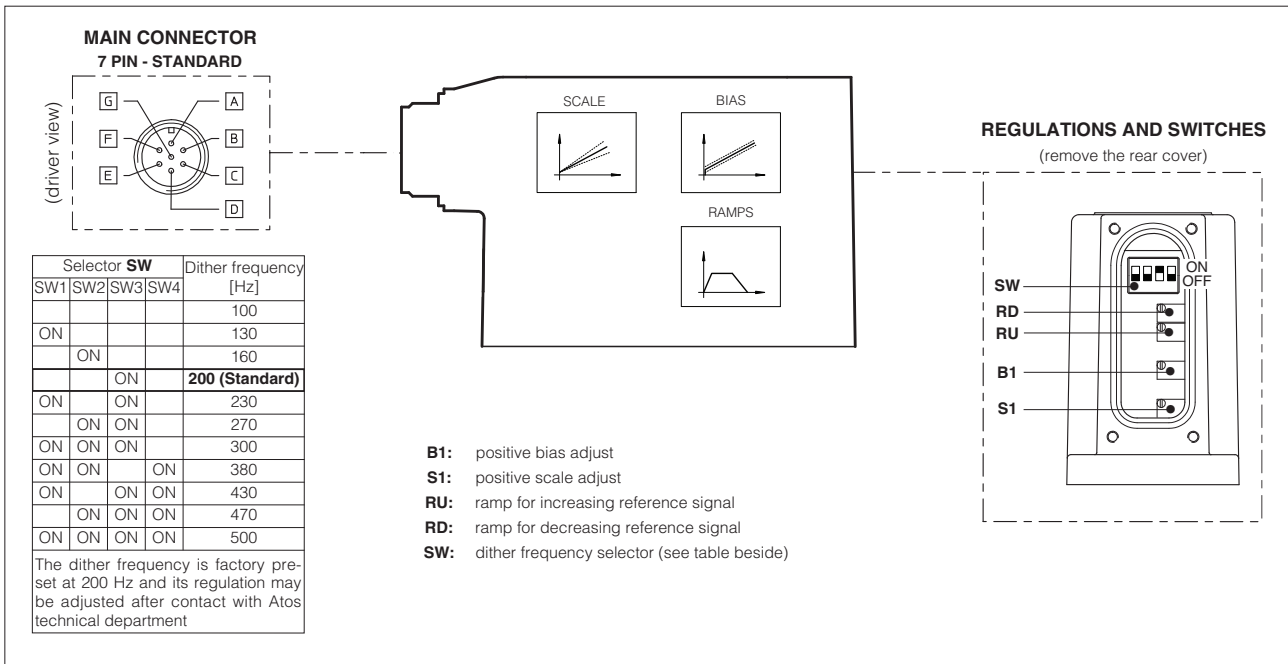
8.1 Option /6 optional coil to be used with Atos drivers with power supply 12 V_{dc}

8.2 Option /18 optional coil to be used with electronic drivers not supplied by Atos

9 CONNECTIONS FOR -A EXECUTION

SOLENOID POWER SUPPLY CONNECTOR	
PIN	Signal description
1	SUPPLY
2	SUPPLY
3	GND

11 ANALOG INTEGRAL DRIVERS -AE - MAIN FUNCTIONS AND ELECTRONIC CONNECTIONS



11.1 7 PIN MAIN CONNECTORS

PIN	SIGNAL	TECHNICAL SPECIFICATIONS	NOTES
A	V+	Power supply 24 Vdc for solenoid power stage and driver logic	Input - power supply
B	V0	Power supply 0 Vdc for solenoid power stage and driver logic	Gnd - power supply
C (1)	AGND	Ground - signal zero for MONITOR signal	Gnd - analog signal
	ENABLE	Enable (24 Vdc) or disable (0 Vdc) the driver (for /Q option)	Input - on/off signal
D	INPUT+	Reference analog differential input: 0÷+10 Vdc maximum range (4 ÷ 20 mA for /I option)	Input - analog signal
E	INPUT -	Normal working range 0÷+10 Vdc (4 ÷ 20 mA for /I option)	
F	MONITOR	Monitor analog output: 0÷+5 Vdc maximum range; 1 V = 1 A	Output - analog signal
G	EARTH	Internally connected to the driver housing	

Note: (1) with /Q option ENABLE signal replaces AGND on pin C; MONITOR signal is referred to pin B.

A minimum time of 60ms to 160ms have been considered between the driver energizing with the 24 Vdc power supply and when the valve is ready to operate. During this time the current to the valve coils is switched to zero

10 ANALOG INTEGRAL DRIVERS -AE - OPTIONS

Standard driver execution provides on the 7 pin main connector:

Power supply - 24Vdc must be appropriately stabilized or rectified and filtered; a 2,5 A safety fuse is required in series to the driver power supply. Apply at least a 10000 µF/40 V capacitance to single phase rectifiers or a 4700 µF/40 V capacitance to three phase rectifiers

Reference input signal - analog differential input with 0÷+10 Vdc nominal range (pin D,E), proportional to desired coil current

Monitor output signal - analog output signal proportional to the actual valve's coil current (1V monitor = 1A coil current)

Following options are available to adapt standard execution to special application requirements:

10.1 Option /I

It provides the 4÷20 mA current reference signal instead of the standard 0÷+10 Vdc. Monitor output signal is still the standard 0÷+10 Vdc

It is normally used in case of long distance between the machine control unit and the valve or where the reference signal can be affected by electrical noise; the valve functioning is disabled in case of reference signal cable breakage.

10.2 Option /Q

It provides the possibility to enable or disable the valve functioning without cutting the power supply (the valve functioning is disabled but the driver current output stage is still active). To enable the driver supply a 24Vdc on the enable input signal.

10.3 Possible combined option: /IQ

12 DIGITAL INTEGRAL DRIVERS -AES - OPTIONS

Standard driver execution provides on the 7 pin main connector:

Power supply - 24Vdc must be appropriately stabilized or rectified and filtered; a 2,5 A safety fuse is required in series to each driver power supply. Apply at least a 10000 µF/40 V capacitance to single phase rectifiers or a 4700 µF/40 V capacitance to three phase rectifiers.

Reference input signal - analog differential input with 0÷+10 Vdc nominal range (pin D,E), proportional to desired coil current (4÷20 mA with cable break detection, ± 10 mA, ± 20 mA or 0÷20 mA software selectable)

Monitor output signal - analog output signal proportional to the actual valve's coil current (1V monitor = 1A coil current)

Following options are available to adapt standard execution to special application requirements:

12.1 Option /Q

To enable the driver, supply 24Vdc on pin C referred to pin B: when the enable signal is set to zero the valve status is software selectable, by factory default the valve functioning is disabled (zero current to the solenoid) but the driver current output stage is still active. For the complete list of selectable status, see tab. G115.

12.2 Option /Z

It provides, on the 12 pin main connector, the following additional features:

Logic power supply

Separated power supply for the solenoid (pin 1, 2) and for the digital electronic circuits (pin 9, 10).

Cutting solenoid power supply allows to interrupt the valve functioning but keeping energized the digital electronics thus avoiding fault conditions of the machine fieldbus controller. This condition allows to realize safety systems in compliance with European Norms EN13849-1 (ex EN954-1).

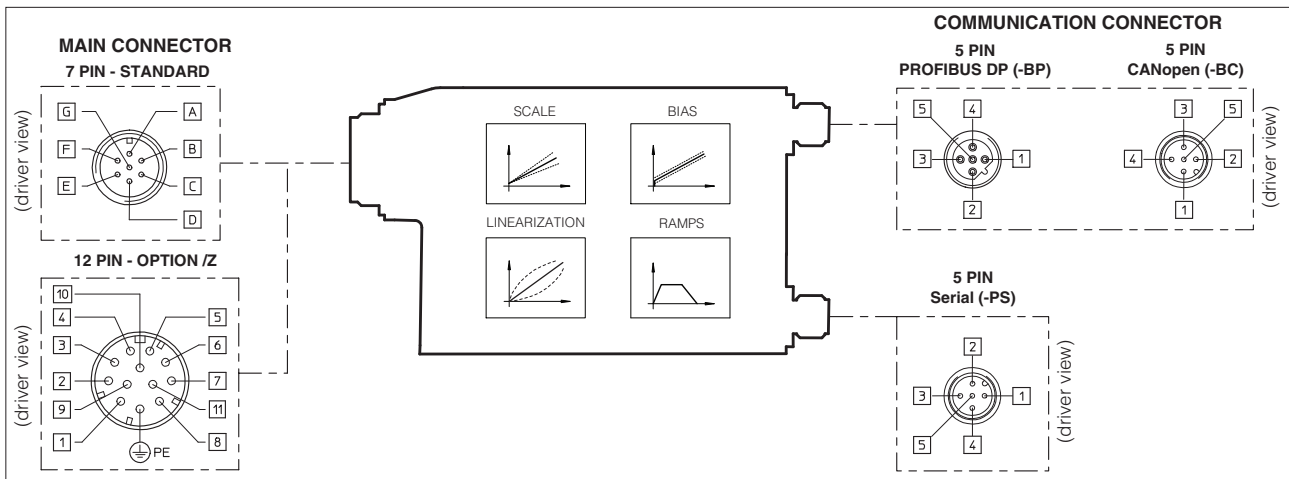
Enable Input Signal

To enable the driver, supply 24Vdc on pin 3 referred to pin 2: when the enable signal is set to zero the valve status is software selectable, by factory default the valve functioning is disabled (zero current to the solenoid) but the driver current output stage is still active. For the complete list of selectable status, see tab. G115.

Fault Output Signal

Fault output signal indicates fault conditions of the driver (solenoid short circuits/not connected, reference signal cable broken for 4÷20mA input, etc.). Fault presence corresponds to 0 Vdc, normal working corresponds to 24Vdc (pin 11 referred to pin 2): Fault status is not affected by the Enable input signal.

13 DIGITAL INTEGRAL DRIVERS -AES - MAIN FUNCTIONS AND ELECTRONIC CONNECTIONS



13.1 7 & 12 PIN MAIN CONNECTORS

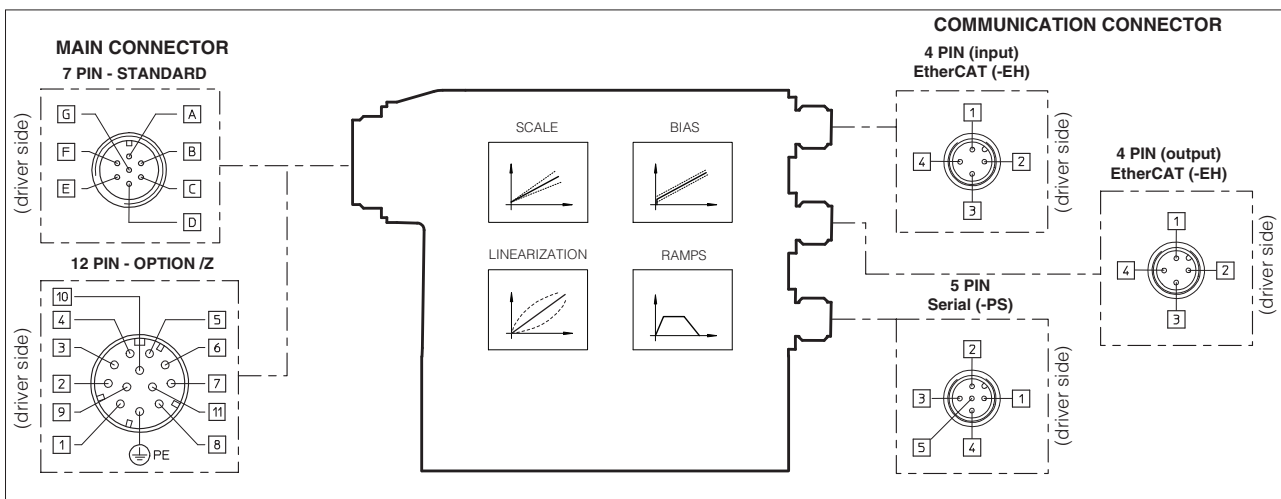
Standard 7pin	/Z option 12pin	SIGNAL	TECHNICAL SPECIFICATIONS	NOTES
A	1	V+	Power supply 24 Vdc for solenoid power stage (and for driver logic on 7 pin connection)	Input - power supply
B	2	V0	Power supply 0 Vdc for solenoid power stage (and for driver logic on 7 pin connection)	Gnd - power supply
-	3	ENABLE	Enable (24 Vdc) or disable (0 Vdc) the driver	Input - on/off signal
D	4	INPUT+	Reference analog input: ±10 Vdc / ± 20 mA maximum range software selectable	Input - analog signal
E	-	INPUT -	Default setting 0÷+10 Vdc differential input /Z option: common mode INPUT+ referred to AGND	
C	5	AGND	Ground - signal zero for MONITOR signal signal zero for INPUT+ signal (only for /Z option)	Gnd - analog signal
F	6	MONITOR	Monitor analog output: ±5 Vdc maximum range; 1 V = 1 A	Output - analog signal
-	7	NC	do not connect	
-	8	NC	do not connect	
-	9	VL+	Power supply 24 Vdc for driver logic	Input - power supply
-	10	VL0	Power supply 0 Vdc for driver logic	Gnd - power supply
-	11	FAULT	Fault (0 Vdc) or normal working (24 Vdc)	Output - on/off signal
G	PE	EARTH	Internally connected to the driver housing	

Note: A minimum time of 270 to 340 ms have be considered between the driver energizing with the 24 VDC power supply and when the valve is ready to operate. During this time the current to the valve coils is switched to zero.

13.2 ELECTRONIC CONNECTIONS - 5 PIN COMMUNICATION CONNECTORS

PIN	-PS Serial		-BC CANopen		-BP PROFIBUS DP	
	SIGNAL	TECHNICAL SPECIFICATION	SIGNAL	TECHNICAL SPECIFICATION	SIGNAL	TECHNICAL SPECIFICATION
1	NC	do not connect	CAN_SHLD	Shield	+5V	for termination
2	NC	do not connect	NC	do not connect	LINE-A	Bus line (high)
3	RS_GND	Signal zero data line	CAN_GND	Signal zero data line	DGND	data line and termination Signal zero
4	RS_RX	Valves receiving data line	CAN_H	Bus line (high)	LINE-B	Bus line (low)
5	RS_TX	Valves transmitting data line	CAN_L	Bus line (low)	SHIELD	

14 DIGITAL INTEGRAL DRIVER -AES-EH - MAIN FUNCTIONS AND ELECTRONIC CONNECTIONS



Note: for the electronic connections of 7 or 12 pin main connector, see section 13.1

14.1 4 & 5 PIN M12 COMMUNICATION CONNECTORS

Serial (-PS)		
PIN	SIGNAL	TECHNICAL SPECIFICATION
1	NC	do not connect
2	NC	do not connect
3	RS_GND	Signal zero data line
4	RS_RX	Valves receiving data line
5	RS_TX	Valves transmitting data line

EtherCAT (-EH)		
PIN	SIGNAL	TECHNICAL SPECIFICATION
1	TX+	Transmitter
2	RX+	Receiver
3	TX-	Transmitter
4	RX-	Receiver
Housing	Shield	Positioned on control cabinet side

15 MODEL CODES OF POWER SUPPLY AND COMMUNICATION CONNECTORS (to be ordered separately)

VALVE VERSION	-A	-AE, -AES		-AES/Z	-Serial (-PS) or CANopen (-BC)	PROFIBUS DP (-BP)	EtherCAT (-EH)
CONNECTOR CODE	666	ZH-7P	ZM-7P	ZH-12P	ZH-5P	ZH-5P/BP	ZM-4PM/EH
PROTECTION DEGREE	IP65	IP67	IP67	IP67	IP67	IP67	IP67
DATA SHEET	K500	G110, G115, K500			G115, K500		

connectors supplied with the valve

16 SOFTWARE TOOLS

The driver configuration and parameters can be easily set with the Atos E-SW programming software, available in three different versions according to the driver's communication execution: **E-SW-PS** (Serial), **E-SW-BC** (CANopen) and **E-SW-BP** (PROFIBUS DP). Programming software E-SW-BC and E-SW-BP, for BC and BP drivers, can be also used to modify the valve's parameterization through the serial communication interface, without disconnecting the valve from the machine's bus line.

For a more detailed description of software interface, PC requirements, adapters, cables and terminators, please refer to technical table G500.

Programming software, must be ordered separately:

E-SW-* (mandatory - first supply) = Dvd including E-SW-* software installer and operator manuals; it allows the registration to Atos digital service

E-SW-*-N (optional - next supplies) = as above but not allowing the registration to Atos digital service

On first supply of the E-SW-* software, it is required to apply for the registration in the Atos download area: www.download.atos.com.

Once the registration is completed, the password will be sent by email.

The software remains active for 10 days from the installation date and then it stops until the user inputs his password.

With the password you can also download, in your personal area, the latest releases of the Atos software, manuals, drivers and configuration files.

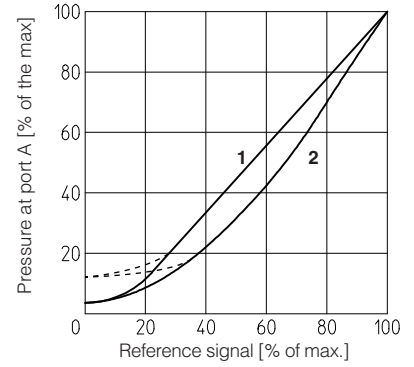
17 DIAGRAMS OF LICZO/LIMZO (based on mineral oil ISO VG 46 at 50 °C)

17.1 Regulation diagrams

- 1 = LIMZO-A, LIMZO-AE, LIMZO-AES
- 2 = LICZO-A, LICZO-AE, LICZO-AES
- dotted line = /350

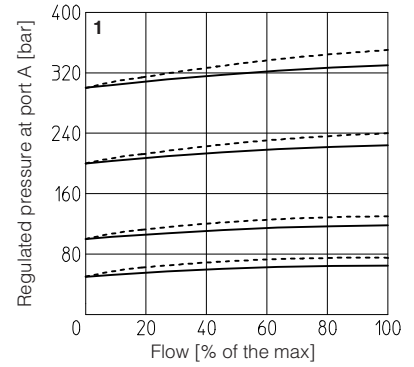
Note:

The presence of counter pressure at port T can affect the effective pressure regulation.



17.2 Pressure/flow diagrams

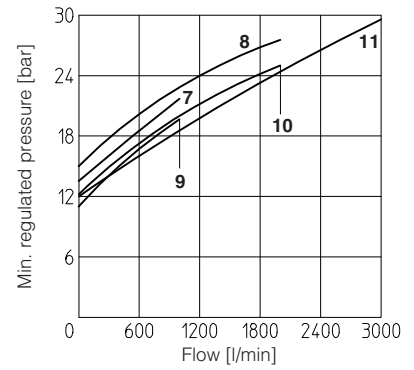
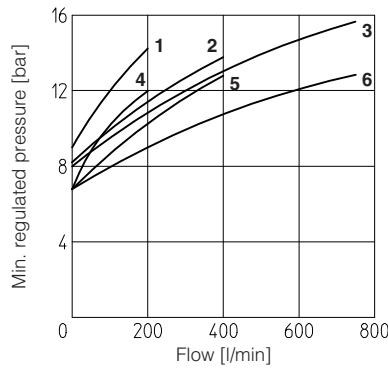
- 1 = LICZO-A, LICZO-AE, LICZO-AES
- LIMZO-A, LIMZO-AE, LIMZO-AES



17.3 Min. pressure/flow diagrams
with reference signal "null"

- 1 = LIMZO-*-1
- 2 = LIMZO-*-2
- 3 = LIMZO-*-3
- 4 = LICZO-*-1
- 5 = LICZO-*-2
- 6 = LICZO-*-3
- 7 = LICZO-*-4
- 8 = LICZO-*-5
- 9 = LIMZO-*-4
- 10 = LIMZO-*-5
- 11 = LIMZO-*-6

Note: for LIMZO-*-8 consult our technical office



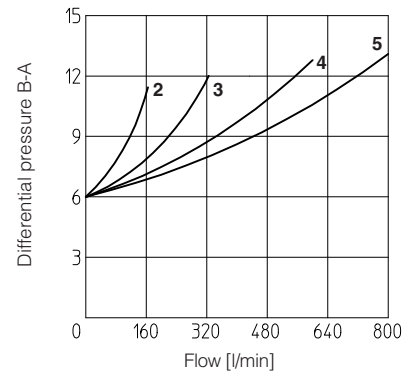
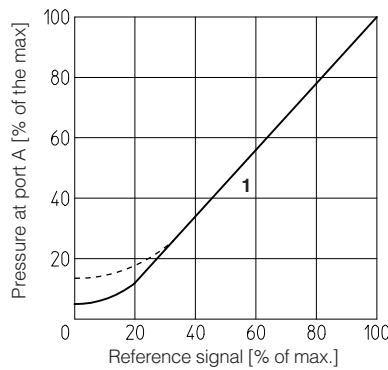
18 DIAGRAMS OF LIRZO (based on mineral oil ISO VG 46 at 50 °C)

18.1 Regulation diagrams

- 1 = LIRZO-A, LIRZO-AE, LIRZO-AES

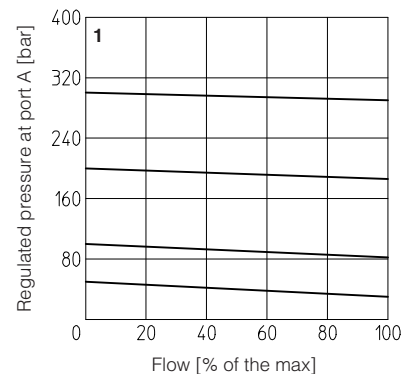
18.2 Min. pressure/flow diagrams
with reference signal "null"

- 2 = LIRZO-*-1
- 3 = LIRZO-*-2
- 4 = LIRZO-*-3
- 5 = LIRZO-*-4
- dotted line = /350



18.3 Pressure/flow diagrams

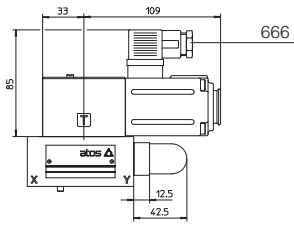
- 1 = LIRZO-A, LIRZO-AE, LIRZO-AES



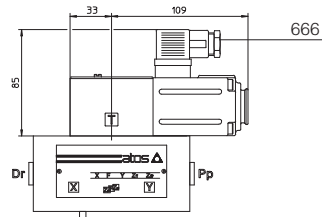
18.4 Dynamic response

The response times in section 9 have to be considered as average values. The pressure variation in consequence of a modification of the reference input signal to the valve is affected by the stiffness of the hydraulic circuit: greater is the stiffness of the circuit, faster is the dynamic response.

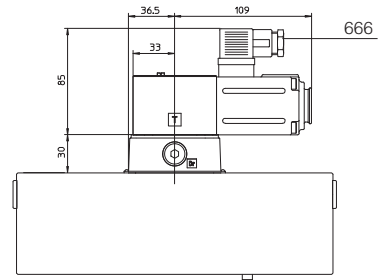
LI*ZO-A-1...3



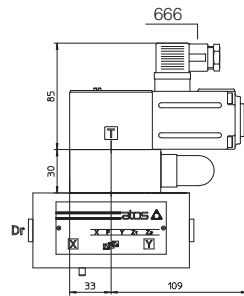
LI*ZO-A-4...6



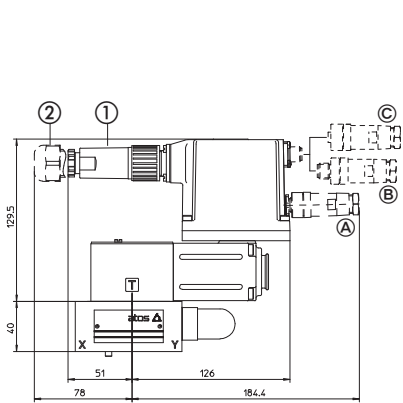
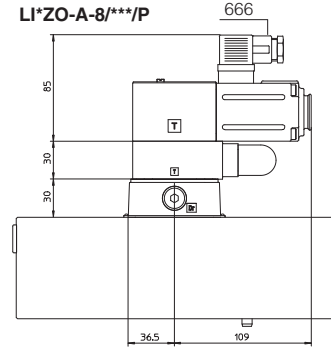
LI*ZO-A-8



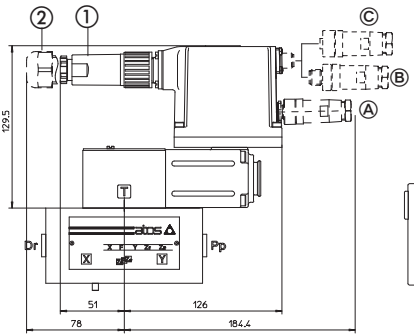
LI*ZO-A-4...6/***/P



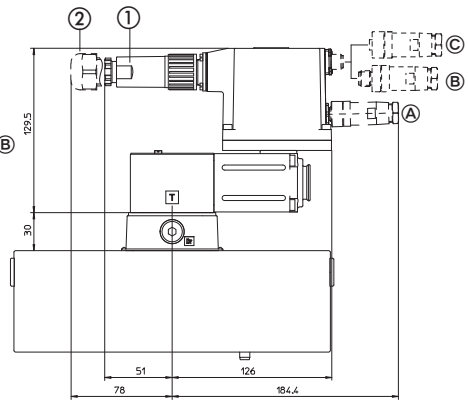
LI*ZO-A-8/***/P



LI*ZO-AE-1...3
LI*ZO-AES-*1...3 (dotted line)

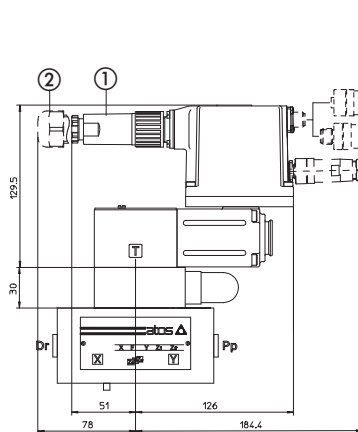


LI*ZO-AE-4...6 LI*ZO-AES-4...6 (dotted line)

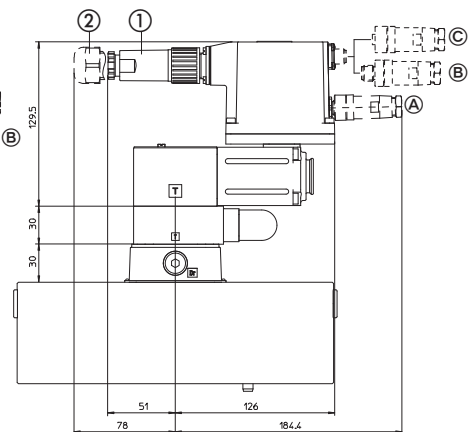


LI*ZO-AE-8, LI*ZO-AES-8 (dotted line)

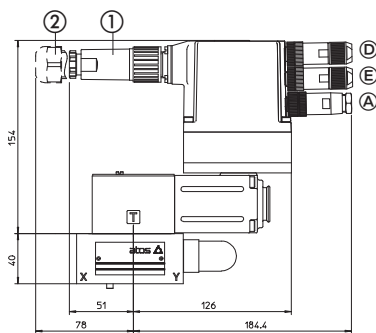
- ① ZH-7P or ZM-7P
- ② Dotted line = ZH-12P for option/Z
- Ⓐ -PS communication interface ZH-5P connector
- Ⓑ -BP communication interface ZH-5P/BP connector
- Ⓒ -BC communication interface ZH-5P connector



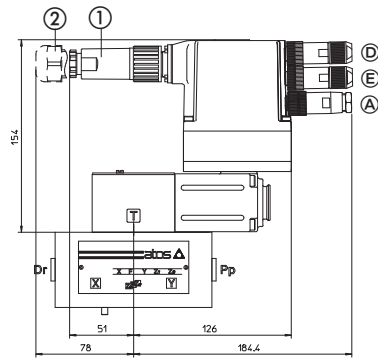
LI*ZO-AE-4...6/***/P
LI*ZO-AES-4...6/***/P (dotted line)



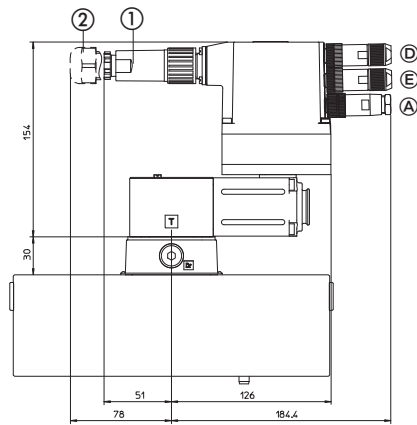
LI*ZO-AE-8/***/P LI*ZO-AES-8/***/P (dotted line)



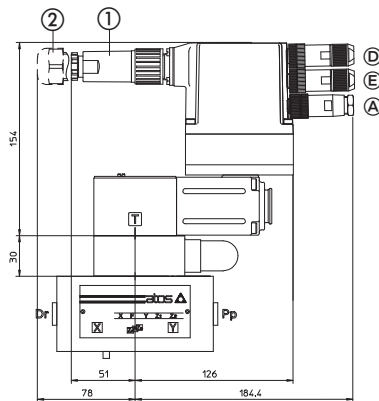
LI*ZO-AES-EH-1...3



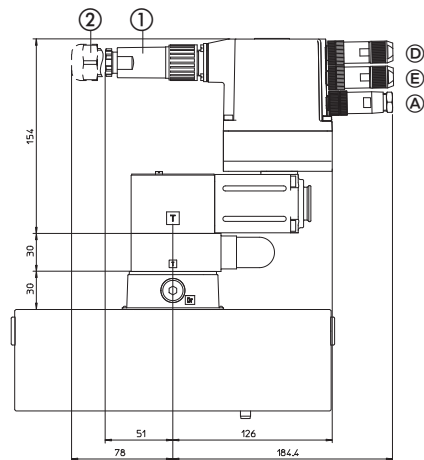
LI*ZO-AES-EH-4...6



LI*ZO-AES-EH-8



LI*ZO-AES-EH-4...6//P**

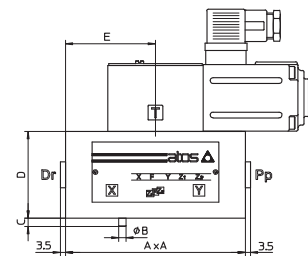


LI*ZO-AES-EH-8//P**

- Ⓐ -PS communication interface, ZH-5P connector
- Ⓓ -EH communication interface (input), ZM-4PM/EH connector
- Ⓔ -EH communication interface (output), ZM-4PM/EH connector

- ① = screw for air bleeding
- ② dotted line = 12 pin connector ZH-12P for option /Z

Sizes	A	ØB	C	D	E	Port Pp-Dr	Seal	Fastening bolts class 12.9	Tightening torque Nm	Mass (Kg)	
										-A	-AE, -AES
16	65 ⁽¹⁾	3	4	40	45,25	-	2 OR 108	n° 4 M8x45	35	3,5	4,1
25	85	5	6	40	42,5	-	2 OR 108	n° 4 M12x45	125	4	4,6
32	100	5	6	50	50	-	2 OR 2043	n° 4 M16x55	300	5,3	5,9
40	125	5	6	60	62,5	G 1/4	2 OR 2050	n° 4 M20x70	600	8,9 ⁽²⁾	9,5 ⁽²⁾
50	140	6	4	70	70	G 1/4	2 OR 2050	n° 4 M20x80	600	12,4 ⁽²⁾	13 ⁽²⁾
63	180	6	4	80	90	G 3/8	2 OR 2056	n° 4 M30x90	2100	21,6 ⁽²⁾	22,2 ⁽²⁾
80	Ø250	8	6	80	125	G 3/8	2 OR 123	n° 8 M24x90	1000	33 ⁽²⁾	33,6 ⁽²⁾



- (1) Cover is not squared, dimensions 65x80
- (2) For option /P the weight is increased by 1,4 Kg