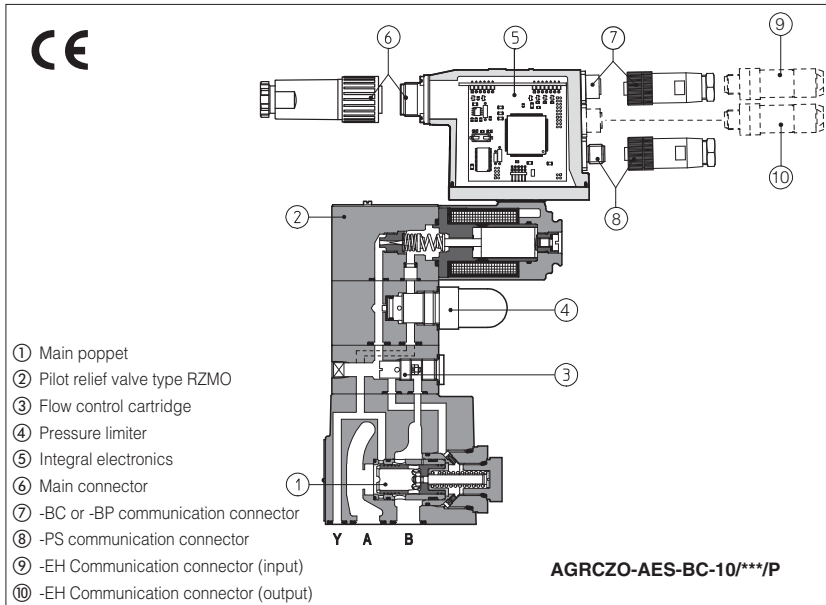


# Proportional reducing valves type **AGRCZO-AES**

two stages, normally closed, without integral pressure transducer, ISO 5781 size 10 and 20



- ① Main poppet
- ② Pilot relief valve type RZMO
- ③ Flow control cartridge
- ④ Pressure limiter
- ⑤ Integral electronics
- ⑥ Main connector
- ⑦ -BC or -BP communication connector
- ⑧ -PS communication connector
- ⑨ -EH Communication connector (input)
- ⑩ -EH Communication connector (output)

## 1 MODEL CODE

**AGRCZO - AES - PS - 10 / 315 / \* \*\* / \***

Proportional pressure reducing valve

**A** = without integral transducer  
**AE** = as A plus integral electronics  
**AES** = as A plus integral digital electronics

Communication interfaces (only for AES):  
**PS** = Serial (1)  
**BC** = CANopen  
**BP** = PROFIBUS DP  
**EH** = EtherCAT

Size: **10, 20**

Pressure range  
**50** = 32 bar  
**100** = 100 bar  
**210** = 210 bar  
**315** = 315 bar  
**350** = 350 bar

Seals material:  
 omit for NBR (mineral oil & water glycol)  
**PE** = FPM

Series number

**Hydraulic options:**  
**P** = with integral mechanical pressure limiter  
**R** = with check valve for free reverse flow

**Coil voltage (only for -A execution)** see section 5:  
 - = standard coil for 24V<sub>DC</sub> Atos drivers  
**6** = optional coil for 12V<sub>DC</sub> Atos drivers  
**18** = optional coil for low current drivers

**Electronics options for -AE execution,** see section 7:  
**I** = current reference (4÷20 mA)  
**Q** = enable signal

**Electronics options for -AES execution,** see section 7:  
**Q** = enable signal  
**Z** = adds double power supply, enable and fault signals (12 pin connector)

(1) Serial communication interface always present, also for -BC, -BP and -EH options

AGRCZO are two-stage normally closed proportional pressure reducing valves without integral pressure transducer, which provide pressure regulation proportional to electronic reference signal.

They operate in association with electronic drivers, see table 2 which supply the proportional valve with proper current signal to align valve regulation to the reference signal supplied to the electronic driver.

They are available in different executions:

- -A, without integral pressure transducer.
- -AE, -AES, as -A plus analogue (AE) or digital (AES) integral electronics ⑤.

The piloting pressure to the poppet ① is modulated by a proportional pressure relief valve type RZMO ②, see tab. F007.

A modular pressure compensated flow control cartridge ③ assures constant pilot flow and therefore high pressure stability.

The integral electronics ⑤ ensures factory presetting, fine functionality plus valve-to-valve interchangeability and simplified wiring and installation.

The electronic main connector ⑥ is fully interchangeable for -AE and -AES executions. Standard 7 pin connector is used for power supply, analog input reference and monitor signals.

12 pin connector is used option /Z (AES).

Following communication interfaces ⑦, ⑧, ⑨, ⑩ are available for the digital -AES execution:

- -PS, Serial communication interface for configuration, monitoring and firmware updating through Atos PC software - always present also for -BC, -BP and -EH options
- -BC, CANopen interface
- -BP, PROFIBUS DP interface
- -EH, EtherCAT interface

The valves with -BC and -BP interfaces can be integrated into a fieldbus communication network and thus digitally operated by the machine control unit.

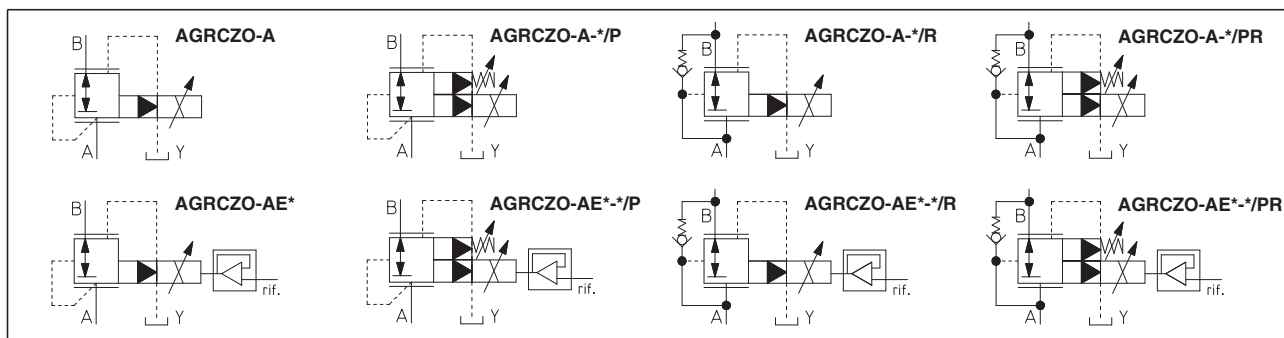
The coils are fully plastic encapsulated with insulation class H.

Surface mounting: ISO 5781 size 10 and 20.  
 Max flow: 160, 300 l/min respectively  
 Max pressure: 350 bar.

## 2 ELECTRONIC DRIVERS FOR AGRCZO

Valve model	-A						-AE	-AES
Drivers model	E-MI-AC-01F	E-MI-AS-IR	E-BM-AC-01F	E-BM-AS-PS	E-ME-AC-01F	E-RP-AC-01F	E-RI-AE	E-RI-AES
Data sheet	G010	G020	G025	G030	G035	G100	G110	G115

### 3 HYDRAULIC CHARACTERISTICS (based on mineral oil ISO VG 46 at 50 °C)



Valve model	AGRCZO-A		AGRCZO-AE, -AES	
Size	10	20	10	20
Max regulated pressure (Q = 10 l/min) [bar]	50; 100; 210; 315; 350			
Min regulated pressure at port A [bar]	1; (3 for /350)			
Max pressure at port B [bar]	350			
Max pressure at port A [bar]	350			
Max flow [l/min]	160	300	160	300
Response time 0 - 100% step signal (depending on installation) [ms]	50	60	50	60
Hysteresis [% of the max pressure]	≤ 2			
Linearity [% of the max pressure]	≤ 3			
Repeatability [% of the max pressure]	≤ 2			

Above performance data refer to valves coupled with Atos electronic drivers, see section 2.

### 4 MAIN CHARACTERISTICS OF PROPORTIONAL PRESSURE REDUCING VALVES TYPE AGRCZO

Assembly position	Any position
Subplate surface finishing	Roughness index Ra 0,4 - flatness ratio 0,01/100 (ISO 1101)
Ambient temperature	-20°C ÷ +70°C for -A execution; -20°C ÷ +60°C for -AE and -AES executions
Fluid	Hydraulic oil as per DIN 51524 ... 535 for other fluids see section 11
Recommended viscosity	15 ÷ 100 mm <sup>2</sup> /s at 40°C (ISO VG 15÷100)
Fluid contamination class	ISO 4406 class 20/18/15 NAS 1638 class 9, in line filters of 10 μm (β <sub>10</sub> ≥ 75 recommended)
Fluid temperature	-20°C +60°C (standard seals) -20°C +80°C (PE seals)
Coil resistance R at 20°C	3 ÷ 3,3 Ω for standard; 2 ÷ 2,2 Ω for option /6; 13 ÷ 13,4 Ω for option /18
Max solenoid current	2,6 A for standard 12 V <sub>DC</sub> coil; 3,25 A for 6 V <sub>DC</sub> coil; 1,5 A for 18 V <sub>DC</sub> coil
Max power	30 Watt for -A execution; 50 Watt for -AE and AES executions
Protection degree (CEI EN-60529)	IP65 for -A execution; IP67 for -AE and AES executions
Duty factor	Continuous rating (ED=100%)

### 5 DIAGRAMS (based on mineral oil ISO VG 46 at 50 °C)

#### 5.1 Regulation diagrams

with flow rate Q = 10 l/min

1 = AGRCZO-A, AGRCZO-AE; AGRCZO-AES

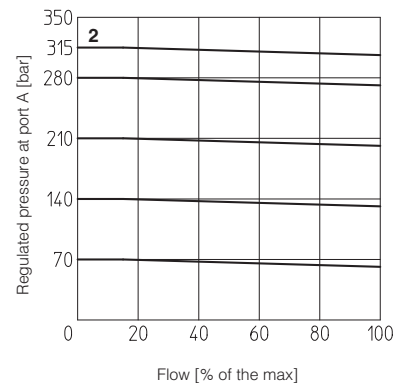
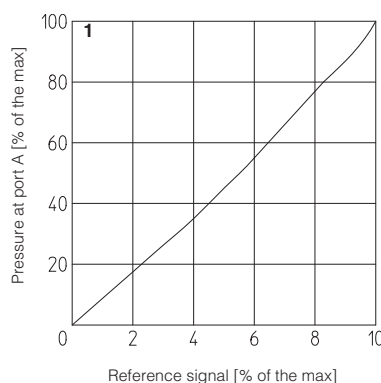
#### Note:

The presence of counter pressure at port T can affect the effective pressure regulation.

#### 5.2 Pressure/flow diagrams

with reference pressure set with Q = 10 l/min

2 = AGRCZO-A, AGRCZO-AE, AGRCZO-AES



#### 5.3 Pressure drop/flow diagrams

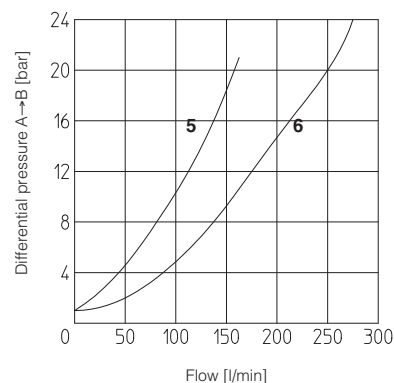
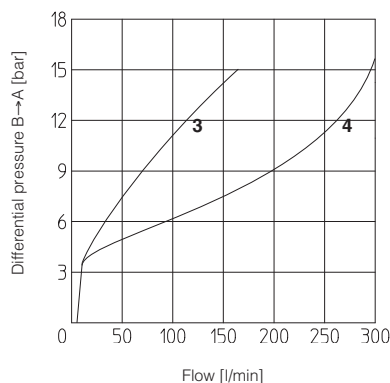
3 = AGRCZO\*-10

4 = AGRCZO\*-20

5 = AGRCZO\*-10\*/R

6 = AGRCZO\*-20\*/R

dotted line = AGRCZO\*/350



## 6 GENERAL NOTES

AGRCZO proportional valves are CE marked according to the applicable Directives (e.g. Immunity/Emission EMC Directive and Low Voltage Directive).

Installation, wirings and start-up procedures must be performed according to the general prescriptions shown in table F003 and in the installation notes supplied with relevant components.

The electrical signals of the valve (e.g. monitor signals) must not be directly used to activate safety functions, like to switch-ON/OFF the machine's safety components, as prescribed by the European standards (Safety requirements of fluid technology systems and components-hydraulics, EN-892).

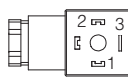
## 7 OPTIONS FOR -A EXECUTION

**7.1 Option /6** optional coil to be used with Atos drivers with power supply 12 Vdc

**7.2 Option /18** optional coil to be used with electronic drivers not supplied by Atos

## 8 CONNECTIONS FOR -A EXECUTION

SOLENOID POWER SUPPLY CONNECTOR	
PIN	Signal description
1	SUPPLY
2	SUPPLY
3	GND



## 9 ANALOG INTEGRAL DRIVERS -AE - OPTIONS

Standard driver execution provides on the 7 pin main connector:

**Power supply** - 24Vdc must be appropriately stabilized or rectified and filtered; a 2,5 A safety fuse is required in series to the driver power supply. Apply at least a 10000 µF/40 V capacitance to single phase rectifiers or a 4700 µF/40 V capacitance to three phase rectifiers

**Reference input signal** - analog differential input with 0÷+10Vdc nominal range (pin D,E), proportional to desired coil current

**Monitor output signal** - analog output signal proportional to the actual valve's coil current (1V monitor = 1A coil current)

Following options are available to adapt standard execution to special application requirements:

### 9.1 Option /I

It provides the 4÷20 mA current reference signal instead of the standard 0÷+10 Vdc. Monitor output signal is still the standard 0÷+10Vdc.

It is normally used in case of long distance between the machine control unit and the valve or where the reference signal can be affected by electrical noise; the valve functioning is disabled in case of reference signal cable breakage.

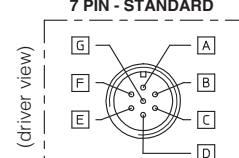
### 9.2 Option /Q

It provides the possibility to enable or disable the valve functioning without cutting the power supply (the valve functioning is disabled but the driver current output stage is still active). To enable the driver supply a 24Vdc on the enable input signal.

### 9.3 Possible combined option: /IQ

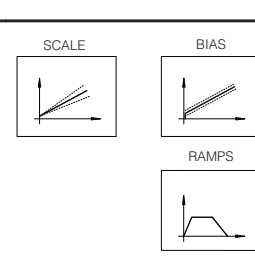
## 10 DIGITAL INTEGRAL DRIVERS -AE - MAIN FUNCTIONS AND ELECTRONIC CONNECTIONS

**MAIN CONNECTOR**  
7 PIN - STANDARD



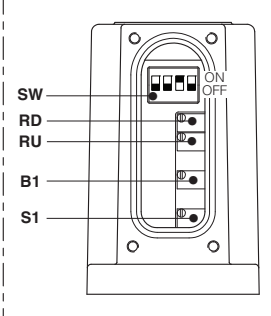
Selector SW				Dither frequency [Hz]
SW1	SW2	SW3	SW4	
				100
ON				130
	ON			160
		ON		<b>200 (Standard)</b>
ON		ON		230
	ON	ON		270
ON	ON	ON		300
ON	ON		ON	380
ON	ON	ON	ON	430
	ON	ON	ON	470
ON	ON	ON	ON	500

The dither frequency is factory pre-set at 200 Hz and its regulation may be adjusted after contact with Atos technical department



**B1:** positive bias adjust  
**S1:** positive scale adjust  
**RU:** ramp for increasing reference signal  
**RD:** ramp for decreasing reference signal  
**SW:** dither frequency selector (see table beside)

**REGULATIONS AND SWITCHES**  
(remove the rear cover)



### 10.1 7 PIN MAIN CONNECTOR

PIN	SIGNAL	TECHNICAL SPECIFICATIONS	NOTES
A	V+	Power supply 24 Vdc for solenoid power stage and driver logic	Input - power supply
B	V0	Power supply 0 Vdc for solenoid power stage and driver logic	Gnd - power supply
C <sup>(1)</sup>	AGND	Ground - signal zero for MONITOR signal	Gnd - analog signal
	ENABLE	Enable (24 Vdc) or disable (0 Vdc) the driver (for /Q option)	Input - on/off signal
D	INPUT+	Reference analog input: 0÷+10 Vdc maximum range (4 ÷ 20 mA for /I option)	Input - analog signal
E	INPUT -	Normal working range 0÷+10 Vdc (4 ÷ 20 mA for /I option)	
F	MONITOR	Monitor analog output: 0÷+5 Vdc maximum range; 1 V = 1 A	Output - analog signal
G	EARTH	Internally connected to the driver housing	

**Note:** (1) with /Q option ENABLE signal replaces AGND on pin C; MONITOR signal is referred to pin B.

A minimum time of 60ms to 160ms have been considered between the driver energizing with the 24 Vdc power supply and when the valve is ready to operate. During this time the current to the valve coils is switched to zero

## 11 DIGITAL INTEGRAL DRIVERS -AES - OPTIONS

Standard driver execution provides on the 7 pin main connector:

- Power supply** - 24Vdc must be appropriately stabilized or rectified and filtered; a 2,5 A safety fuse is required in series to each driver power supply. Apply at least a 10000  $\mu$ F/40 V capacitance to single phase rectifiers or a 4700  $\mu$ F/40 V capacitance to three phase rectifiers.
- Reference input signal** - analog differential input with 0÷+10 Vdc nominal range (pin D, E), proportional to desired coil current (4÷20 mA with cable break detection,  $\pm$  10 mA,  $\pm$  20 mA or 0÷20 mA software selectable)
- Monitor output signal** - analog output signal proportional to the actual valve's coil current (1V monitor = 1A coil current)

Following options are available to adapt standard execution to special application requirements:

### 11.1 Option /Q

To enable the driver, supply 24Vdc on pin C referred to pin B: when the enable signal is set to zero the valve status is software selectable, by factory default the valve functioning is disabled (zero current to the solenoid) but the driver current output stage is still active. For the complete list of selectable status, see tab. G115.

### 11.2 Option /Z

It provides, on a 12 pin main connector, the following additional features:

#### Logic power supply

Separated power supply for the solenoid (pin 1, 2) and for the digital electronic circuits (pin 9, 10).

Cutting solenoid power supply allows to interrupt the valve functioning but keeping energized the digital electronics thus avoiding fault conditions of the machine fieldbus controller. This condition allows to realize safety systems in compliance with European Norms EN13849-1 (ex EN954-1).

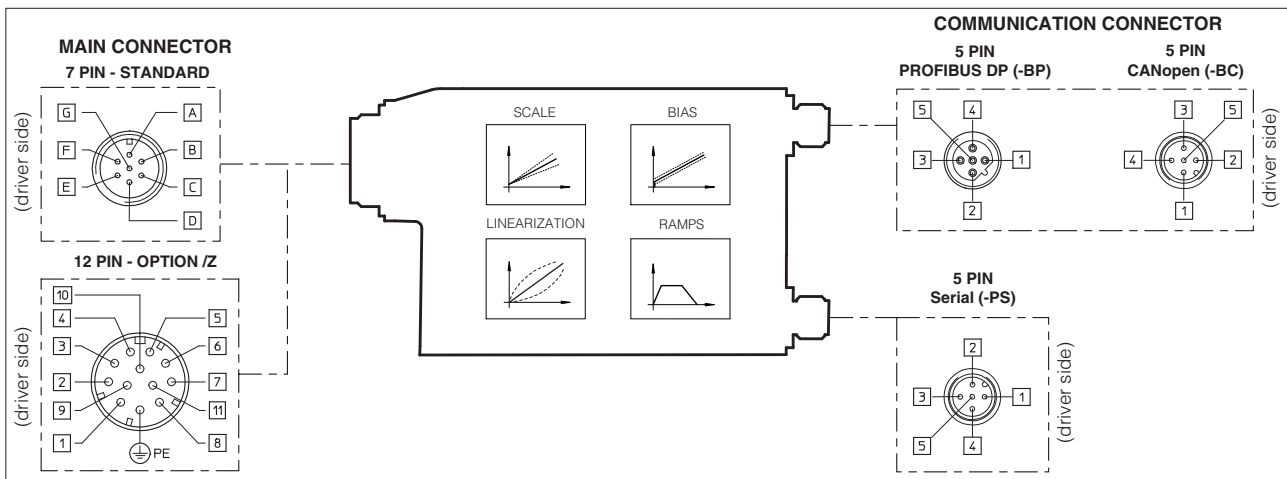
#### Enable Input Signal

To enable the driver, supply 24Vdc on pin 3 referred to pin 2: when the enable signal is set to zero the valve status is software selectable, by factory default the valve functioning is disabled (zero current to the solenoid) but the driver current output stage is still active. For the complete list of selectable status, see tab. G115.

#### Fault Output Signal

Fault output signal indicates fault conditions of the driver (solenoid short circuits/not connected, reference signal cable broken for 4÷20mA input, etc.). Fault presence corresponds to 0 Vdc, normal working corresponds to 24Vdc (pin 11 referred to pin 2): Fault status is not affected by the Enable input signal.

## 12 DIGITAL INTEGRAL DRIVERS -AES - MAIN FUNCTIONS AND ELECTRONIC CONNECTIONS



### 12.1 7 or 12 PIN MAIN CONNECTOR

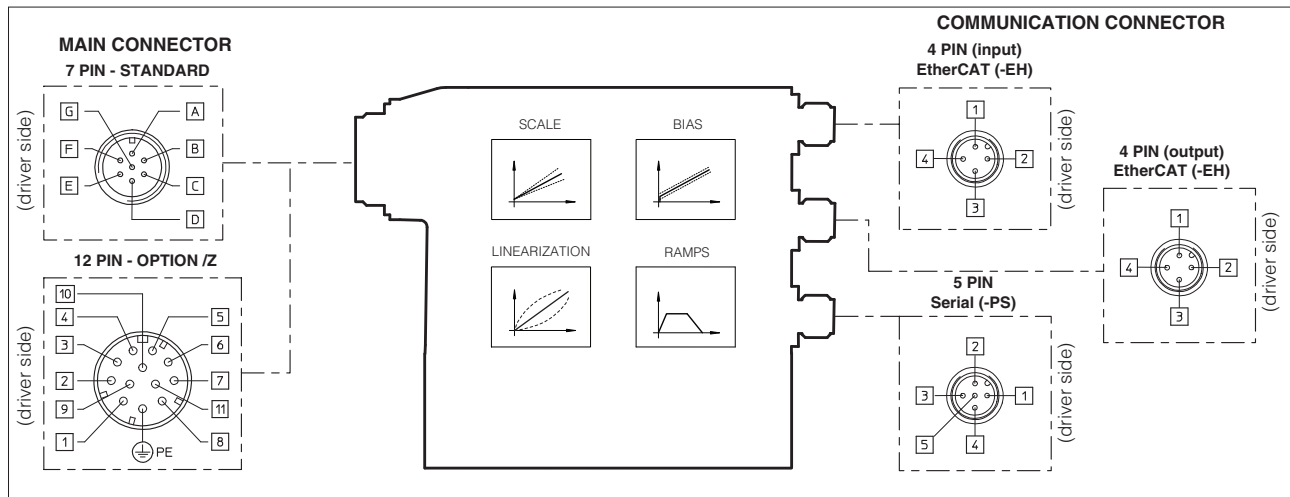
Standard 7pin	/Z option 12pin	SIGNAL	TECHNICAL SPECIFICATIONS	NOTES
A	1	V+	Power supply 24 Vdc for solenoid power stage (and for driver logic on 7 pin connection)	Input - power supply
B	2	V0	Power supply 0 Vdc for solenoid power stage (and for driver logic on 7 pin connection)	Gnd - power supply
D	4	INPUT+	Reference analog input: $\pm$ 10 Vdc / $\pm$ 20 mA maximum range software selectable	Input - analog signal
E	-	INPUT -	Default setting 0÷+10 Vdc differential input /Z option: common mode INPUT+ referred to AGND	
C	3	ENABLE	Enable (24 Vdc) or disable (0 Vdc) the driver	Input - on/off signal
	5	AGND	Ground - signal zero for MONITOR signal signal zero for INPUT+ signal ( only for /Z option)	Gnd - analog signal
F	6	MONITOR	Monitor analog output: 0÷+5 Vdc maximum range; 1 V = 1 A	Output - analog signal
-	7	NC	do not connect	
-	8	NC	do not connect	
-	9	VL+	Power supply 24 Vdc for driver logic	Input - power supply
-	10	VL0	Power supply 0 Vdc for driver logic	Gnd - power supply
-	11	FAULT	Fault (0 Vdc) or normal working (24 Vdc)	Output - on/off signal
G	PE	EARTH	Internally connected to the driver housing	

**Note:** A minimum time of 270 to 340 ms have be considered between the driver energizing with the 24Vdc power supply and when the valve is ready to operate. During this time the current to the valve coils is switched to zero.

## 12.2 5 PIN M12 COMMUNICATION CONNECTORS

PIN	Serial (-PS)		CANopen (-BC)		PROFIBUS DP (-BP)	
	SIGNAL	TECHNICAL SPECIFICATION	SIGNAL	TECHNICAL SPECIFICATION	SIGNAL	TECHNICAL SPECIFICATION
1	NC	do not connect	CAN_SHLD	Shield	+5V	for termination
2	NC	do not connect	NC	do not connect	LINE-A	Bus line (high)
3	RS_GND	Signal zero data line	CAN_GND	Signal zero data line	DGND	data line and termination Signal zero
4	RS_RX	Valves receiving data line	CAN_H	Bus line (high)	LINE-B	Bus line (low)
5	RS_TX	Valves transmitting data line	CAN_L	Bus line (low)	SHIELD	

## 13 DIGITAL INTEGRAL DRIVER -AES-EH - MAIN FUNCTIONS AND ELECTRONIC CONNECTIONS



**Note:** for the electronic connections of 7 or 12 pin main connector, see section 12.1

## 13.1 4 & 5 PIN M12 COMMUNICATION CONNECTORS

Serial (-PS)			EtherCAT (-EH)		
PIN	SIGNAL	TECHNICAL SPECIFICATION	PIN	SIGNAL	TECHNICAL SPECIFICATION
1	NC	do not connect	1	TX+	Transmitter
2	NC	do not connect	2	RX+	Receiver
3	RS_GND	Signal zero data line	3	TX-	Transmitter
4	RS_RX	Valves receiving data line	4	RX-	Receiver
5	RS_TX	Valves transmitting data line	Housing	Shield	Positioned on control cabinet side

## 14 MODEL CODES OF POWER SUPPLY AND COMMUNICATION CONNECTORS (to be ordered separately)

VALVE VERSION	-A	-AE, -AES		-AES/Z	-Serial (-PS) or CANopen (-BC)	PROFIBUS DP (-BP)	EtherCAT (-EH)
CONNECTOR CODE	666	ZH-7P	ZM-7P	ZH-12P	ZH-5P	ZH-5P/BP	ZM-4PM/EH
PROTECTION DEGREE	IP65	IP67	IP67	IP67	IP67	IP67	IP67
DATA SHEET	K500	G110, G115, K500			G115, K500		

connectors supplied with the valve

## 15 SOFTWARE TOOLS

The driver configuration and parameters can be easily set with the Atos E-SW programming software, available in four different versions according to the driver's communication execution: E-SW-PS (Serial), E-SW-BC (CANopen), E-SW-BP (PROFIBUS DP), E-SW-EH (EtherCAT). Programming software E-SW-BC, E-SW-BP, E-SW-EH for BC, BP and -EH drivers, can be also used to modify the valve's parameterization through the serial communication interface, without disconnecting the valve from the machine's bus line.

For a more detailed description of software interface, PC requirements, adapters, cables and terminators, please refer to technical table G500.

**Programming software, must be ordered separately:**

**E-SW-\*** (mandatory - first supply) = Dvd including E-SW-\* software installer and operator manuals; it allows the registration to Atos digital service

**E-SW-\*-N** (optional - next supplies) = as above but not allowing the registration to Atos digital service

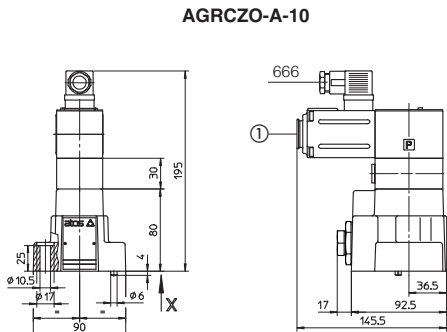
On first supply of the E-SW-\* software, it is required to apply for the registration in the Atos download area: [www.download atos.com](http://www.download atos.com).

Once the registration is completed, the password will be sent by email.

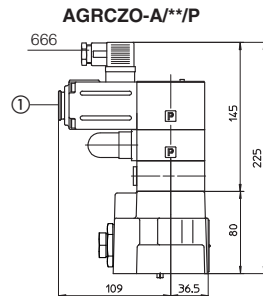
The software remains active for 10 days from the installation date and then it stops until the user inputs his password.

With the password you can also download, in your personal area, the latest releases of the Atos software, manuals, drivers and configuration files.

### AGRCZO-\*-10

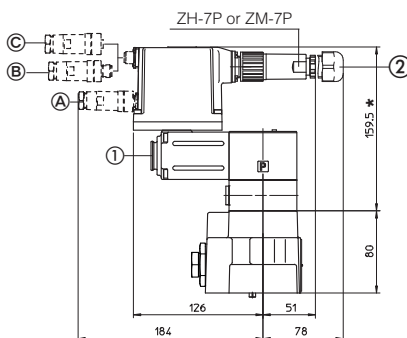


Mass: 5 Kg



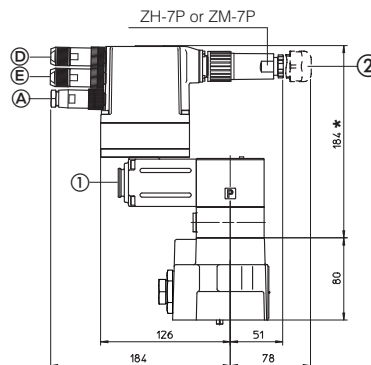
Mass: 5,5 Kg

### AGRCZO-AE-10 (-AES-\* dotted line)



Mass: 5,6 Kg

### AGRCZO-AES-EH-10

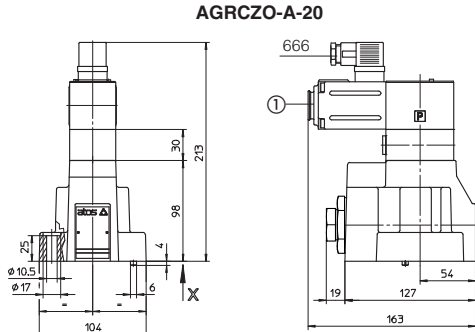


Mass: 5,7 Kg

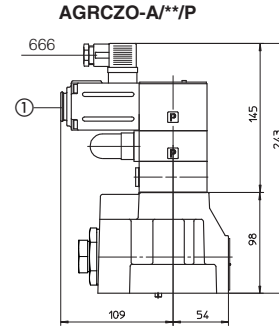
**ISO 5781: 2000**  
**Mounting surface: 5781-06-07-0-00**  
 (see table P005)  
 Fastening bolts:  
 4 socket head screws M10x45 class 12.9  
 Tightening torque = 70 Nm  
 Seals: 2 OR 109/70 ; 2 OR 3068  
 Diameters of ports A, B:  $\varnothing = 14$  mm  
 Diameters of ports X, Y:  $\varnothing = 5$  mm

\* add 30mm for /P version

### AGRCZO-\*-20

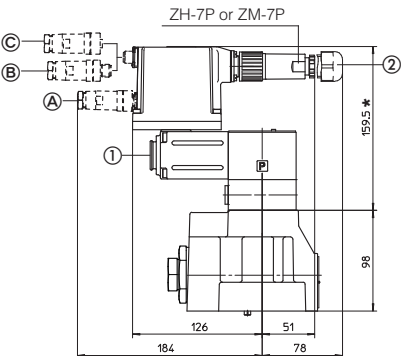


Mass: 7,5 Kg



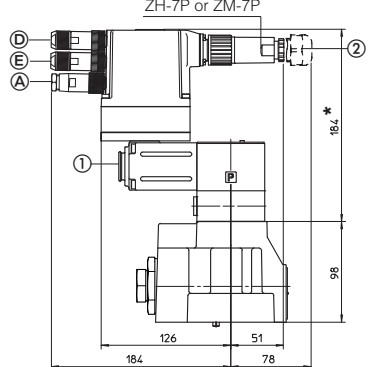
Mass: 8 Kg

### AGRCZO-AE-20 (-AES-\* dotted line)



Mass: 8,1 Kg

### AGRCZO-AES-EH-20



Mass: 8,2 Kg

**ISO 5781: 2000**  
**Mounting surface: 5781-08-10-0-00**  
 (see table P005)  
 Fastening bolts:  
 4 socket head screws M10x45 class 12.9  
 Tightening torque = 70 Nm  
 Seals: 2 OR 109/70; 2 OR 4100  
 Diameters of ports A, B:  $\varnothing = 22$  mm  
 Diameters of ports X, Y:  $\varnothing = 5$  mm

\* add 30mm for /P version

- Ⓐ -PS communication interface, ZH-5P connector
- Ⓑ -BP communication interface, ZH-5P/BP connector
- Ⓒ -BC communication interface, ZH-5P connector
- Ⓓ -EH communication interface (input), ZM-4PM/EH connector
- Ⓔ -EH communication interface (output), ZM-4PM/EH connector

- ① = screw for air bleeding
- ② dotted line = 12 pin connector ZH-12P for option /Z