



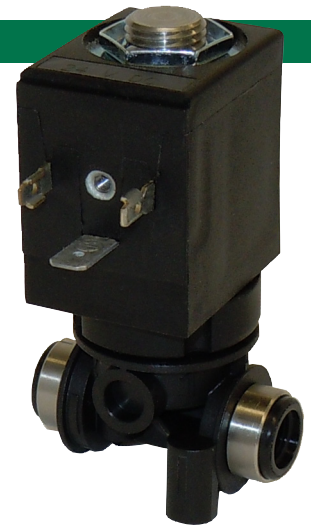
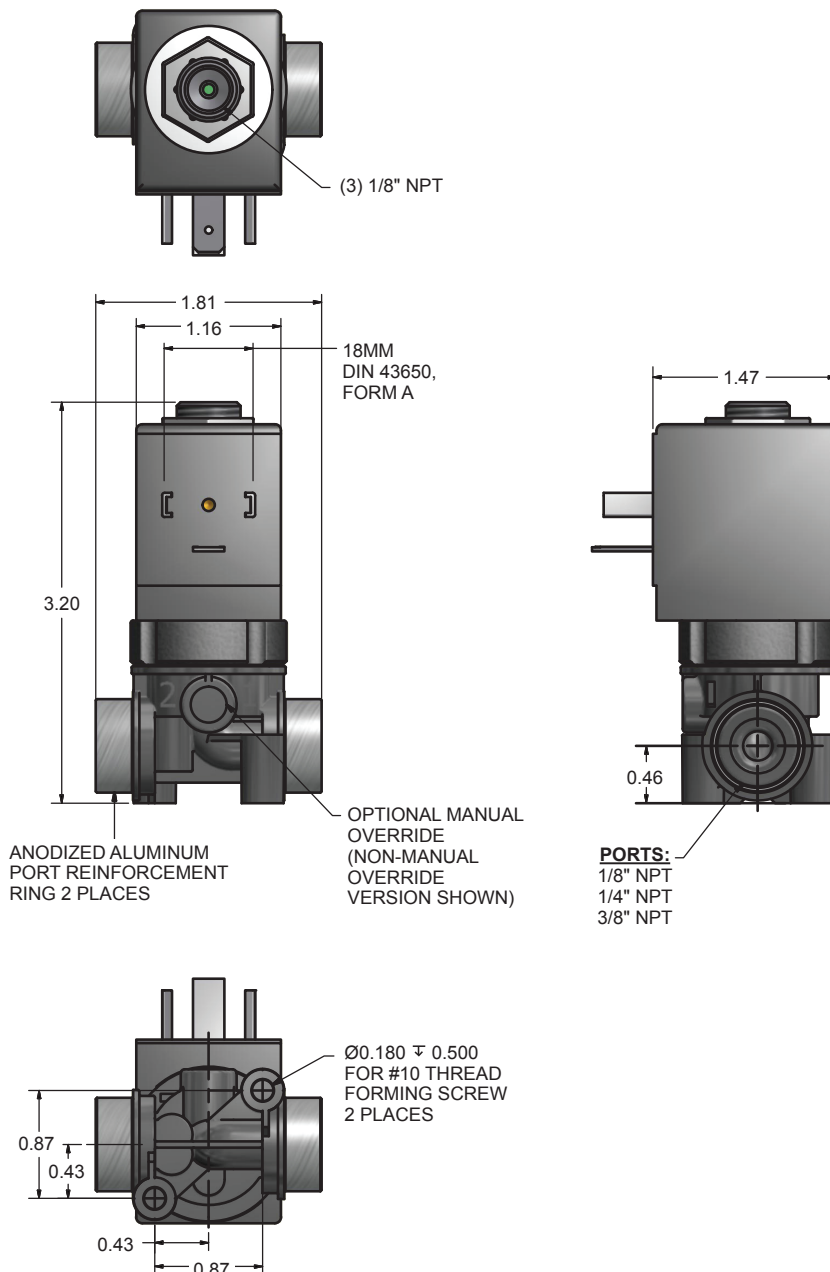
Series 6200

2-Way & 3-Way
Solenoid Valves

The Spartan Scientific 6200 Series is a 2-way or 3-way, 2 position direct acting solenoid valve utilizing a long life spring compensated solenoid poppet at the heart of an all stainless solenoid operator (430FR and 316SS). Standard body material is glass filled nylon. With orifice sizes ranging from 0.8mm up to 6.0mm standard, the 6200 valve can handle a wide variety of flow rates as well as pressure ranges from 0 to 250PSI in various versions. Offered with or without manual override, the 6200 series employs use of the orifice basket design unique to Spartan valves which allows for quick change-over for production of any orifice size as standard. This aids in versatility of valve manufacture and increases valve availability. The composite valve body is of robust design and is compatible with liquids and gasses at lowest possible cost. The ports available are 1/8", 1/4", 3/8" NPT standard. All common voltages are offered as well as electrical connection styles which include a DIN 43650 spaded coil as well as flying lead styles. Coils are sealed to IP 65. Valve functions include normally closed, normally open, mixing and diverting.

Dimensional Data

ALL DIMENSIONS ARE IN INCHES UNLESS OTHERWISE NOTED
3/2 WAY VERSION SHOWN



Features

- Media compatible design
- Stainless moving parts
- All molded coil
- Small solenoid for output
- High flow

SPARTAN SCIENTIFIC
www.spartanscientific.com

P.O. Box 9792, Boardman, Ohio 44513
(330) 758-8446 Fax: (330) 758-3314



Series 6200

2-Way & 3-Way
Solenoid Valves

Technical Data

Function: 2/2 way or 3/2 way, direct acting, normally open or normally closed, mixing and diverting

Port Size: 1/8", 1/4" and 3/8" NPT

Orifice Size (mm): 0.8, 1.6, 2.4, 3.0, 4.0, 5.0, 6.0 (port 3 orifice size up to 3.0mm)

Pressure Range: Vacuum to 250 psi

Flow Factors: Up to .72 Cv (6.00mm)

Temp. Range: (Fluid max. 60°C) Ambient +10°C to +50°C

Response Time: 16 to 40 ms

Manual Override: Optional; Push button or turn lock

Media: Air, oil, inert gas, water, caustics, etc.

Mounting: Ø0.180 ± 0.500 for #10 thread forming screw

Materials: Operator: AISI 300 and 400 Series Stainless Steel
Shading Ring: Copper (AC voltage only)
Orifice Basket: Acetal
Seals: Viton, Nitrile (Buna), EPDM
Valve Bodies: Glass filled nylon
Port Reinforcement Rings: Anodized Aluminum
Flange Nut: Zamak 3

Coil Data: Glass filled nylon encapsulation (Class F, continuous duty)
DIN Spade (as shown) or Flying Lead
Power: 10 watt VDC, 8 watt VAC.
Volts: 6, 12, 24 VDC
24, 120, 220, 240 VAC 50/60 Hz
Voltage tolerance: +/- 10%

Connections: DIN Spades: According to DIN 43650 Form "A"/ISO 4400, EN175301-803:2000
Flying Lead Wires: PVC 18 Gauge, Multi-Strand
Copper Wire, 300V, 18" Length

ORIFICE SIZE / VOLTAGE

FUNCTION	0.8mm		1.6mm		2.4mm		3.0mm		4.0mm		5.0mm		6.0mm	
	AC	DC	AC	DC	AC	DC	AC	DC	AC	DC	AC	DC	AC	DC
	2/2 NC	250	250	250	250	250	250	250	250	135	135	100	100	40
2/2 NO	250	250	250	250	190	190	130	130	N/A	N/A	N/A	N/A	N/A	N/A
3/2 NC	250	250	250	250	160	160	110	110	*70	*70	*40	*40	30*	30*
3/2 NO	250	250	215	215	150	150	105	105	N/A	N/A	N/A	N/A	N/A	N/A
3/2 DIV	250	250	160	160	120	120	85	85	N/A	N/A	N/A	N/A	N/A	N/A
3/2 MIX	210	210	110	110	60	60	40	40	N/A	N/A	N/A	N/A	N/A	N/A

MAX. PRESSURE RANGE (psi)

*(psi) Tested using 3.0mm exhaust orifice. Cannot match exhaust orifice greater than 3.0mm.

How To Order

