

# WAGO PCB Terminal Blocks and WAGO Connectors

Full Line Catalog, Volume 2 – Edition 2019/2020

# 2



# WAGO Full Line Catalogs



## Volume 1, WAGO Rail-Mount Terminal Block Systems

- Rail-Mount Terminal Blocks
- Rail-Mount Terminal Blocks with Pluggable Connector (X-COM®-SYSTEM)
- Patchboard Systems
- Terminal Strips
- PUSH WIRE® Connectors for Junction Boxes
- Lighting Connectors
- Shield Connecting System



## Volume 2, WAGO PCB Terminal Blocks and WAGO Connectors

- PCB Terminal Blocks
- THR/SMD PCB Terminal Blocks
- MULTI CONNECTION SYSTEM (MCS)
- Pluggable PCB Terminal Blocks
- Feedthrough Terminal Blocks
- Specialty Connectors
- Empty Housings



## Volume 3, Automation Technology

- Solutions & Software
- Operating & Monitoring
- Controllers
- Modular I/O-SYSTEM, IP20
- Industrial Switches
- Radio Technology
- IP67 Sensor/Actuator Boxes, IP67 Cables and Connectors



## Volume 4, WAGO Interface Electronic

- Relay and Optocoupler Modules
- Signal Conditioners and Isolation Amplifiers
- Current and Energy Measurement Technology
- Power Supplies
- Interface Modules and System Wiring
- Overvoltage Protection
- Empty Housings



## Volume 5, WAGO Pluggable Connection System WINSTA®

- Pluggable Connectors
- Snap-In Device Connectors
- Pluggable PCB Connectors
- Distribution Connectors
- Cable Assemblies
- Flat Cable Systems
- Distribution Boxes



## Volume 6, WAGO Marking

- Printer
- Software
- Terminal Block Marking
- Cable and Conductor Marking
- Device Marking
- Marker Carriers

## Volume 2, WAGO PCB Terminal Blocks and WAGO Connectors

		Seite
	WAGO PCB Terminal Blocks	15
	WAGO THR PCB Terminal Blocks	257
	WAGO SMD PCB Terminal Blocks	291
	WAGO MULTI CONNECTION SYSTEM (MCS) MICRO Pin Spacing 2,5 mm / 0,08 ... 0,5 mm <sup>2</sup> (28 ... 20 AWG)	325
	WAGO MULTI CONNECTION SYSTEM (MCS) MINI Pin Spacing: 3.5 mm (0.138 inch), 3.81 mm (0.15 inch) / 0.08 ... 1.5 mm <sup>2</sup> (28 ... 14 AWG)	345
	WAGO MULTI CONNECTION SYSTEM (MCS) MINI HD Pin Spacing: 3.5 mm (0.138 inch) / 0.08 ... 1.5 mm <sup>2</sup> (28 ... 16 AWG)	413
	WAGO MULTI CONNECTION SYSTEM (MCS) MINI SL Pin Spacing: 3.5 mm (0.138 inch) / 0.2 ... 1.5 mm <sup>2</sup> (24 ... 16 AWG)	437
	WAGO MULTI CONNECTION SYSTEM (MCS) MIDI Pin Spacing: 5 mm (0.197 inch), 7.5 mm (0.295 inch) / 0.08 ... 2.5 mm <sup>2</sup> (28 ... 12 AWG)	447
	WAGO MULTI CONNECTION SYSTEM (MCS) MIDI Classic Pin Spacing: 5 mm (0.197 inch), 5.08 mm (0.2 inch), 7.5 mm (0.295 inch), 7.62 mm (0.3 inch) / 0.08 ... 2.5 mm <sup>2</sup> (28 ... 12 AWG)	545
	WAGO MULTI CONNECTION SYSTEM (MCS) MAXI 6 Pin Spacing: 7.62 mm (0.3 inch) / 0.5 ... 10 mm <sup>2</sup> (20 ... 8 AWG) WAGO MULTI CONNECTION SYSTEM (MCS) MAXI 16 Pin Spacing: 10.16 mm (0.4 inch) / 0.75 ... 16 mm <sup>2</sup> (18 ... 4 AWG)	737
	Pluggable WAGO PCB Terminal Blocks Pin Spacing: 3.5 mm (0.138 inch), 5 mm (0.197 inch), 5.75 mm (0.226 inch)	759
	WAGO Feedthrough Terminal Strips	769
	WAGO Specialty Connectors WAGO Wire-Tap Branch Connectors; WAGO Connectors for KNX/EIB Applications	805
	Modular WAGO Empty Housings	819
	WAGO Accessories and WAGO Tools	829
	Technical Section	857
	Index and Addresses	907

## Operating WAGO Connection Technologies

Please follow the applicable product-specific termination instructions.

### PUSH-IN CAGE CLAMP®



Push-in CAGE CLAMP® terminates the following copper conductors:  
solid



stranded



fine-stranded,  
also with tinned  
single strands



fine-stranded,  
tip-bonded



fine-stranded,  
with ferrule  
(gastight crimped)



fine-stranded,  
with pin terminal  
(gastight crimped)

The universal connection with an additional advantage:

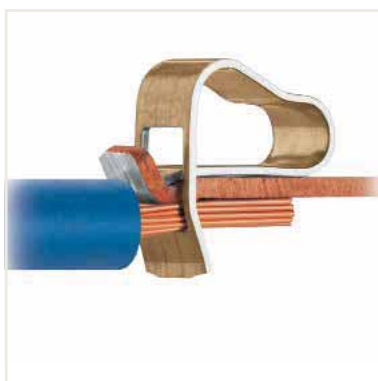
Push-in connection

Terminate solid and stranded (Class B 7 strands or less), as well as ferruled conductors, by simply pushing them in – no tools required.

Termination for all conductor types:

- Open clamping unit.
- Insert the conductor.
- Release clamp – done!

### CAGE CLAMP®



CAGE CLAMP® terminates the following copper conductors:  
solid



stranded



fine-stranded,  
also with tinned  
single strands



fine-stranded,  
tip-bonded



fine-stranded,  
with ferrule  
(gastight crimped)



fine-stranded,  
with pin terminal  
(gastight crimped)

The universal connection for solid, stranded and fine-stranded conductors

Termination:

- Open clamping unit.
- Insert the conductor.
- Release clamp – done!

## Operating WAGO Connection Technologies

Please follow the applicable product-specific termination instructions.

### POWER CAGE CLAMP®



POWER CAGE CLAMP terminates the following copper conductors:  
solid



stranded



fine-stranded,  
also with tinned  
single strands



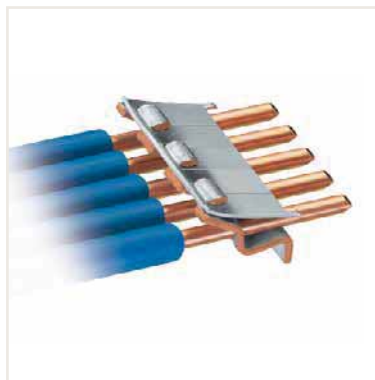
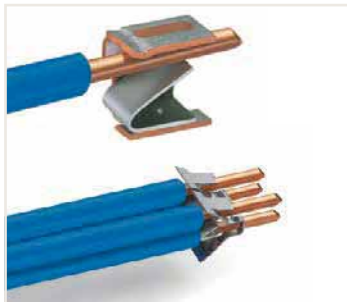
fine-stranded,  
with ferrule  
(gastight crimped)

The universal connection for conductors larger than 35 mm<sup>2</sup> (2 AWG)

Termination:

- Open clamp by turning a T-wrench counter-clockwise.
- Press the integrated latch to open clamping unit for hands-free wiring.
- Insert the conductor.
- A small counter-clockwise rotation closes the clamp, securing conductor.

### PUSH WIRE®



PUSH WIRE® terminates the following copper conductors:  
solid

PUSH WIRE® connection for solid and stranded conductors (depending on the model used)

Termination:


Tool-free, twist-free terminations for solid and rigid stranded conductors – simply push into the unit.

# PCB Terminal Blocks

## - Product Overview by Pin Spacing -

2.5 mm/0.098 inch, 2.54 mm/0.1 inch	3 mm/0.118 inch	3.5 mm/0.138 inch, 3.81 mm/0.15 inch		4 mm/0.156 inch
<p>233 Series</p>  <p><b>CAGE CLAMP</b></p> <p>0.08 ... 0.5 mm<sup>2</sup> / 28 ... 20 AWG Page 19</p>	<p>2059 Series</p>  <p><b>SMT</b> <b>PUSH WIRE</b></p> <p>0.14 ... 0.34 mm<sup>2</sup> / 26 ... 22 AWG "sol." Page 293</p>	<p>739 Series</p>  <p><b>CAGE CLAMP</b></p> <p>0.08 ... 1.5 mm<sup>2</sup> / 28 ... 14 AWG Page 77, 79</p>		<p>2060 Series</p>  <p><b>THR</b> <b>PUSH-IN CAGE CLAMP</b></p> <p>0.2 ... 0.75 mm<sup>2</sup> / 24 ... 18 AWG Page 261</p>
<p>218 Series</p>  <p><b>CAGE CLAMP</b></p> <p>0.08 ... 0.5 mm<sup>2</sup> / 28 ... 20 AWG Page 95</p>	<p>2059 Series</p>  <p><b>SMT</b> <b>PUSH WIRE</b></p> <p>0.5 mm<sup>2</sup> / 20 AWG "sol." Page 293</p>	<p>235 Series</p>  <p><b>3.81</b> <b>PUSH-IN CAGE CLAMP</b></p> <p>0.5 ... 1.5 mm<sup>2</sup> / 20 ... 16 AWG Page 177, 179</p>		<p>2060 Series</p>  <p><b>THR</b> <b>PUSH-IN CAGE CLAMP</b></p> <p>0.2 ... 0.75 mm<sup>2</sup> / 24 ... 18 AWG Page 261</p>
<p>218 Series</p>  <p><b>THR</b> <b>CAGE CLAMP</b></p> <p>0.08 ... 0.5 mm<sup>2</sup> / 28 ... 20 AWG Page 285, 286</p>		<p>805 Series</p>  <p><b>3.5</b> <b>PUSH-IN CAGE CLAMP</b></p> <p>0.2 ... 1.5 mm<sup>2</sup> / 24 ... 16 AWG Page 183, 185</p>	<p>805 Series</p>  <p><b>3.5</b> <b>THR</b> <b>PUSH-IN CAGE CLAMP</b></p> <p>0.2 ... 1.5 mm<sup>2</sup> / 24 ... 16 AWG Page 281</p>	<p>2060 Series</p>  <p><b>SMT</b> <b>PUSH-IN CAGE CLAMP</b></p> <p>0.2 ... 0.75 mm<sup>2</sup> / 24 ... 18 AWG Page 297</p>
<p>233 Series</p>  <p><b>CAGE CLAMP</b></p> <p>0.08 ... 0.5 mm<sup>2</sup> / 28 ... 20 AWG Page 99</p>		<p>250 Series</p>  <p><b>3.5</b> <b>PUSH-IN CAGE CLAMP</b></p> <p>0.2 ... 1.5 mm<sup>2</sup> / 24 ... 16 AWG Page 165</p>	<p>250 Series</p>  <p><b>THR</b> <b>3.5</b> <b>PUSH-IN CAGE CLAMP</b></p> <p>0.2 ... 1.5 mm<sup>2</sup> / 24 ... 16 AWG Page 279</p>	<p>2060 Series</p>  <p><b>SMT</b> <b>PUSH-IN CAGE CLAMP</b></p> <p>0.2 ... 0.75 mm<sup>2</sup> / 24 ... 18 AWG Page 297</p>
<p>234 Series</p>  <p><b>CAGE CLAMP</b></p> <p>0.08 ... 0.5 mm<sup>2</sup> / 28 ... 20 AWG Page 101</p>		<p>251 Series</p>  <p><b>3.5</b> <b>IDC</b> <b>PUSH WIRE</b></p> <p>0.5 ... 1.5/1.0 mm<sup>2</sup> / 20 ... 16/18 AWG Page 231</p>	<p>235 Series</p>  <p><b>3.81</b> <b>PUSH WIRE</b></p> <p>0.5 ... 1.5 mm<sup>2</sup> / 20 ... 16 AWG "sol." Page 209, 211</p>	
<p>250 Series</p>  <p><b>PUSH-IN CAGE CLAMP</b></p> <p>0.2 ... 0.5 mm<sup>2</sup> / 24 ... 20 AWG Page 161, 153</p>		<p>744 Series</p>  <p><b>3.5</b> <b>PUSH WIRE</b></p> <p>0.5 ... 1.5 mm<sup>2</sup> / 20 ... 16 AWG "sol." Page 219</p>	<p>735 Series</p>  <p><b>3.81</b> <b>PUSH WIRE</b></p> <p>0.5 ... 1.5 mm<sup>2</sup> / 20 ... 16 AWG "sol." Page 223 ... 227</p>	
<p>250 Series</p>  <p><b>THR</b> <b>2.5</b> <b>PUSH-IN CAGE CLAMP</b></p> <p>0.2 ... 0.5 mm<sup>2</sup> / 24 ... 20 AWG Page 277</p>				















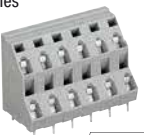



















5 mm/0.197 inch, 5.08 mm/0.2 inch				6 mm/0.236 inch
<p>236 Series</p>  <p><b>CAGE CLAMP®</b></p> <p>0.08 ... 2.5 mm<sup>2</sup> / 28 ... 12* AWG Page 21, 27</p>	<p>236 Series</p>  <p><b>5</b> <b>THR</b></p> <p><b>CAGE CLAMP®</b></p> <p>0.08 ... 2.5 mm<sup>2</sup> / 28 ... 12* AWG Page 33</p>	<p>745 Series</p>  <p><b>CAGE CLAMP®</b></p> <p>0.08 ... 4 mm<sup>2</sup> / 28 ... 12 AWG Page 35, 38</p>	<p>745 Series</p>  <p><b>5</b> <b>THR</b></p> <p><b>CAGE CLAMP®</b></p> <p>0.08 ... 4 mm<sup>2</sup> / 28 ... 12 AWG Page 41, 43</p>	<p>2061 Series</p>  <p><b>THR</b></p> <p><b>PUSH-IN CAGE CLAMP®</b></p> <p>0.5 ... 1.5 mm<sup>2</sup> / 20 ... 16 AWG Page 267</p>
<p>739 Series</p>  <p><b>CAGE CLAMP®</b></p> <p>0.08 ... 2.5 mm<sup>2</sup> / 28 ... 12* AWG Page 81</p>		<p>740 Series</p>  <p><b>5</b></p> <p><b>CAGE CLAMP®</b></p> <p>0.08 ... 2.5 mm<sup>2</sup> / 28 ... 12* AWG Page 91</p>	<p>816 Series</p>  <p><b>5</b></p> <p><b>PUSH-IN CAGE CLAMP®</b></p> <p>2 x 0.2 ... 1.5 mm<sup>2</sup> / 2 x 24 ... 16 AWG Page 141</p>	<p>2061 Series</p>  <p><b>THR</b></p> <p><b>PUSH-IN CAGE CLAMP®</b></p> <p>0.5 ... 1.5 mm<sup>2</sup> / 20 ... 16 AWG Page 267</p>
<p>Disconnect/test terminal blocks, 742 Series</p>  <p><b>CAGE CLAMP®</b></p> <p>0.08 ... 2.5 mm<sup>2</sup> / 28 ... 12* AWG Page 237, 239</p>	<p>Terminal blocks with jumper slot, 742 Series</p>  <p><b>CAGE CLAMP®</b></p> <p>0.08 ... 2.5 mm<sup>2</sup> / 28 ... 12* AWG Page 241, 243</p>	<p>Fuse terminal blocks, 742 Series</p>  <p><b>CAGE CLAMP®</b></p> <p>0.08 ... 2.5 mm<sup>2</sup> / 28 ... 12* AWG Page 245, 247</p>	<p>804 Series</p>  <p><b>5</b></p> <p><b>PUSH-IN CAGE CLAMP®</b></p> <p>0.25 ... 2.5 mm<sup>2</sup> / 20 ... 12 AWG Page 189</p>	<p>2061 Series</p>  <p><b>SMT</b></p> <p><b>PUSH-IN CAGE CLAMP®</b></p> <p>0.5 ... 1.5 mm<sup>2</sup> / 20 ... 16 AWG Page 303</p>
<p>736 Series</p>  <p><b>CAGE CLAMP®</b></p> <p>0.08 ... 2.5 mm<sup>2</sup> / 28 ... 12* AWG Page 57</p>	<p>737 Series</p>  <p><b>CAGE CLAMP®</b></p> <p>0.08 ... 2.5 mm<sup>2</sup> / 28 ... 12* AWG Page 65</p>	<p>738 Series</p>  <p><b>CAGE CLAMP®</b></p> <p>0.08 ... 2.5 mm<sup>2</sup> / 28 ... 12* AWG Page 73</p>	<p>735 Series</p>  <p><b>5</b></p> <p><b>PUSH WIRE®</b></p> <p>0.5 ... 1.5 mm<sup>2</sup> / 20 ... 16 AWG*sol.* Page 223 ... 229</p>	<p>2061 Series</p>  <p><b>SMT</b></p> <p><b>PUSH-IN CAGE CLAMP®</b></p> <p>0.5 ... 1.5 mm<sup>2</sup> / 20 ... 16 AWG Page 303</p>
<p>255 Series</p>  <p><b>CAGE CLAMP®</b></p> <p>0.08 ... 2.5 mm<sup>2</sup> / 28 ... 12* AWG Page 105 ... 109</p>	<p>256 Series</p>  <p><b>CAGE CLAMP®</b></p> <p>0.08 ... 2.5 mm<sup>2</sup> / 28 ... 12* AWG Page 111 ... 119</p>	<p>257 Series</p>  <p><b>CAGE CLAMP®</b></p> <p>0.08 ... 2.5 mm<sup>2</sup> / 28 ... 12* AWG Page 121 ... 129</p>	<p>2604 Series</p>  <p><b>5</b></p> <p><b>PUSH-IN CAGE CLAMP®</b></p> <p>0.2 ... 4 mm<sup>2</sup> / 24 ... 12 AWG Page 191, 193</p>	<p>2070 Series</p>  <p><b>SMT</b> <b>6,5</b></p> <p><b>PUSH-IN CAGE CLAMP®</b></p> <p>0.2 ... 0.75 mm<sup>2</sup> / 24 ... 18 AWG Page 311</p>
<p>235 Series</p>  <p><b>PUSH-IN CAGE CLAMP®</b></p> <p>0.5 ... 1.5 mm<sup>2</sup> / 20 ... 14 AWG Page 173, 175</p>	<p>250 Series</p>  <p><b>5</b></p> <p><b>PUSH-IN CAGE CLAMP®</b></p> <p>0.5 ... 1.5 mm<sup>2</sup> / 20 ... 14 AWG Page 161</p>	<p>250 Series</p>  <p><b>5</b></p> <p><b>PUSH-IN CAGE CLAMP®</b></p> <p>2 x 0.5 ... 1.5 mm<sup>2</sup> / 20 ... 14 AWG Page 165, 169</p>	<p>2624 Series</p>  <p><b>5</b></p> <p><b>PUSH-IN CAGE CLAMP®</b></p> <p>0.2 ... 6 mm<sup>2</sup> / 24 ... 10 AWG Page 145, 147</p>	<p>2065 Series</p>  <p><b>PUSH WIRE®</b> <b>PUSH-IN CAGE CLAMP®</b></p> <p>0.2 ... 0.75 mm<sup>2</sup> / 24 ... 18 AWG Page 307</p>
<p>235 Series</p>  <p><b>PUSH WIRE®</b></p> <p>0.5 ... 2.5 mm<sup>2</sup> / 20 ... 14 AWG*sol.* Page 205, 207</p>	<p>254 Series</p>  <p><b>PUSH WIRE®</b></p> <p>0.5 ... 2.5 mm<sup>2</sup> / 20 ... 12 AWG*sol.* Page 215, 217</p>	<p>253 Series</p>  <p><b>5</b></p> <p><b>PUSH WIRE®</b></p> <p>2 x 0.5 ... 1.5 mm<sup>2</sup> / 2 x 20 ... 16 AWG Page 233</p>		
<p>Feedthrough terminal strips, 741 Series</p>  <p><b>CAGE CLAMP®</b></p> <p>0.08 ... 2.5 mm<sup>2</sup> / 28 ... 12* AWG Page 789 ... 795</p>	<p>Feedthrough terminal strips, 231 and 731 Series</p>  <p><b>CAGE CLAMP®</b></p> <p>0.08 ... 2.5 mm<sup>2</sup> / 28 ... 12* AWG Page 797, 803</p>			

 Only available in this pin spacing!

\*AWG 12: THHN, THWN

# PCB Terminal Blocks

## - Product Overview by Pin Spacing -











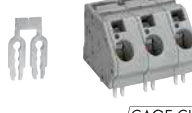











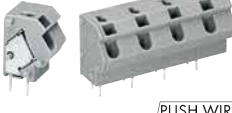

7.5 mm/0.295 inch, 7.62 mm/0.3 inch			8 mm/0.314 inch	10 mm/0.394 inch, 10.16 mm/0.4 inch
<p>236 Series</p>  <p><b>CAGE CLAMP</b></p> <p>0.08 ... 2.5 mm<sup>2</sup> / 28 ... 12* AWG Page 23, 29</p>	<p>745 Series</p>  <p><b>CAGE CLAMP</b></p> <p>0.08 ... 4 mm<sup>2</sup> / 28 ... 12 AWG Page 38</p>	<p>2604 Series</p>  <p><b>PUSH-IN CAGE CLAMP</b></p> <p>0.2 ... 4 mm<sup>2</sup> / 24 ... 12 AWG Page 193</p>	<p>2060 Series</p>  <p><b>PUSH-IN CAGE CLAMP</b></p> <p>0.2 ... 0.75 mm<sup>2</sup> / 24 ... 18 AWG Page 301</p>	<p>236 Series</p>  <p><b>CAGE CLAMP</b></p> <p>0.08 ... 2.5 mm<sup>2</sup> / 28 ... 12* AWG Page 25, 31</p>
<p>739 Series</p>  <p><b>CAGE CLAMP</b></p> <p>0.08 ... 2.5 mm<sup>2</sup> / 28 ... 12* AWG Page 85, 87</p>		<p>2624 Series</p>  <p><b>PUSH-IN CAGE CLAMP</b></p> <p>0.2 ... 6 mm<sup>2</sup> / 24 ... 10 AWG Page 148</p>	<p>2060 Series</p>  <p><b>PUSH-IN CAGE CLAMP</b></p> <p>0.2 ... 0.75 mm<sup>2</sup> / 24 ... 18 AWG Page 265</p>	<p>745 Series</p>  <p><b>CAGE CLAMP</b></p> <p>0.2 ... 6 mm<sup>2</sup> / 24 ... 10 AWG Page 45</p>
<p>745 Series</p>  <p><b>CAGE CLAMP</b></p> <p>0.2 ... 4 mm<sup>2</sup> / 28 ... 12 AWG Page 41, 43</p>	<p>745 Series</p>  <p><b>CAGE CLAMP</b></p> <p>0.2 ... 6 mm<sup>2</sup> / 24 ... 10 AWG Page 47, 49</p>	<p>2606 Series</p>  <p><b>PUSH-IN CAGE CLAMP</b></p> <p>0.2 ... 10 mm<sup>2</sup> / 24 ... 8 AWG Page 197</p>	<p>2060 Series</p>  <p><b>PUSH-IN CAGE CLAMP</b></p> <p>0.2 ... 0.75 mm<sup>2</sup> / 24 ... 18 AWG Page 265</p>	<p>745 Series</p>  <p><b>CAGE CLAMP</b></p> <p>0.08 ... 4 mm<sup>2</sup> / 28 ... 12 AWG Page 41, 43</p>
<p>736 Series</p>  <p><b>CAGE CLAMP</b></p> <p>0.08 ... 2.5 mm<sup>2</sup> / 28 ... 12* AWG Page 58, 62</p>	<p>737 Series</p>  <p><b>CAGE CLAMP</b></p> <p>0.08 ... 2.5 mm<sup>2</sup> / 28 ... 12* AWG Page 66, 70</p>	<p>2626 Series</p>  <p><b>PUSH-IN CAGE CLAMP</b></p> <p>0.2 ... 10 mm<sup>2</sup> / 24 ... 8 AWG Page 151</p>		<p>736 Series</p>  <p><b>CAGE CLAMP</b></p> <p>0.08 ... 2.5 mm<sup>2</sup> / 28 ... 12* AWG Page 59, 63</p>
<p>255 Series</p>  <p><b>CAGE CLAMP</b></p> <p>0.08 ... 2.5 mm<sup>2</sup> / 28 ... 12* AWG Page 105 ... 109</p>	<p>256 Series</p>  <p><b>CAGE CLAMP</b></p> <p>0.08 ... 2.5 mm<sup>2</sup> / 28 ... 12* AWG Page 111 ... 119</p>	<p>257 Series</p>  <p><b>CAGE CLAMP</b></p> <p>0.08 ... 2.5 mm<sup>2</sup> / 28 ... 12* AWG Page 121 ... 129</p>		<p>255 Series</p>  <p><b>CAGE CLAMP</b></p> <p>0.08 ... 2.5 mm<sup>2</sup> / 28 ... 12* AWG Page 105 ... 109</p>
<p>235 Series</p>  <p><b>PUSH-IN CAGE CLAMP</b></p> <p>0.5 ... 1.5 mm<sup>2</sup> / 20 ... 14 AWG Page 173</p>	<p>250 Series</p>  <p><b>PUSH-IN CAGE CLAMP</b></p> <p>0.5 ... 1.5 mm<sup>2</sup> / 20 ... 14 AWG Page 161</p>	<p>804 Series</p>  <p><b>PUSH-IN CAGE CLAMP</b></p> <p>0.25 ... 2.5 mm<sup>2</sup> / 22 ... 12 AWG Page 189</p>		<p>235 Series</p>  <p><b>PUSH-IN CAGE CLAMP</b></p> <p>0.5 ... 1.5 mm<sup>2</sup> / 20 ... 14 AWG Page 173</p>
<p>2706 Series</p>  <p><b>CAGE CLAMP</b></p> <p>0.5 ... 6 mm<sup>2</sup> / 20 ... 10 AWG Page 133</p>	<p>2706 Series</p>  <p><b>CAGE CLAMP</b></p> <p>0.5 ... 6 mm<sup>2</sup> / 20 ... 10 AWG Page 135</p>	<p>746 Series</p>  <p><b>PUSH-IN CAGE CLAMP</b></p> <p>2 x 0.5 ... 10 mm<sup>2</sup> / 2 x 20 ... 8 AWG Page 143</p>		<p>2706 Series</p>  <p><b>CAGE CLAMP</b></p> <p>0.5 ... 6 mm<sup>2</sup> / 20 ... 10 AWG Page 133</p>
<p>235 Series</p>  <p><b>PUSH WIRE</b></p> <p>0.5 ... 2.5 mm<sup>2</sup> / 20 ... 14 AWG *sol.* Page 205</p>	<p>254 Series</p>  <p><b>PUSH WIRE</b></p> <p>0.5 ... 2.5 mm<sup>2</sup> / 20 ... 12 AWG *sol.* Page 215, 217</p>	<p>Feedthrough terminal strips, 741 Series</p>  <p><b>CAGE CLAMP</b></p> <p>0.08 ... 2.5 mm<sup>2</sup> / 28 ... 12* AWG Page 789 ... 795</p>		<p>235 Series</p>  <p><b>PUSH WIRE</b></p> <p>0.5 ... 2.5 mm<sup>2</sup> / 20 ... 14 AWG *sol.* Page 205</p>


 Ex II approval

 THR Through-Hole Reflow Soldering

 SMT Surface-Mount Technology



10 mm/0.394 inch, 10.16 mm/0.4 inch		11,5 mm/0.453 inch 12,5 mm/0.492 inch		15 mm/0.59 inch		20 mm/0.787 inch	
<p>745 Series</p>  <p style="text-align: right;"><b>10</b></p> <p style="text-align: right;"><b>Ex</b></p> <p style="text-align: right;">CAGE CLAMP®</p> <p>0.08 ... 4 mm<sup>2</sup> / 28 ... 12 AWG Page 38</p>		<p>745 Series</p>  <p style="text-align: right;"><b>Ex</b></p> <p style="text-align: right;">CAGE CLAMP®</p> <p>0.08 ... 4 mm<sup>2</sup> / 28 ... 12 AWG Page 39</p>		<p>745 Series</p>  <p style="text-align: right;"><b>Ex</b></p> <p style="text-align: right;">CAGE CLAMP®</p> <p>0.2 ... 6 mm<sup>2</sup> / 24 ... 10 AWG Page 45</p>		<p>745 Series</p>  <p style="text-align: right;"><b>Ex</b></p> <p style="text-align: right;">CAGE CLAMP®</p> <p>0.2 ... 16 mm<sup>2</sup> / 24 ... 6 AWG Page 51, 53</p>	
<p>739 Series</p>  <p style="text-align: right;"><b>10</b></p> <p style="text-align: right;">CAGE CLAMP®</p> <p>0.08 ... 2.5 mm<sup>2</sup> / 28 ... 12* AWG Page 89</p>	<p>2616 Series</p>  <p style="text-align: right;"><b>10</b></p> <p style="text-align: right;">PUSH-IN CAGE CLAMP®</p> <p>0.75 ... 16 mm<sup>2</sup> / 18 ... 4 AWG Page 201</p>	<p>2604 Series</p>  <p style="text-align: right;"><b>11,5</b></p> <p style="text-align: right;">PUSH-IN CAGE CLAMP®</p> <p>0.2 ... 4 mm<sup>2</sup> / 24 ... 12 AWG Page 193</p>					
<p>745 Series</p>  <p style="text-align: right;"><b>10</b></p> <p style="text-align: right;"><b>Ex</b></p> <p style="text-align: right;">CAGE CLAMP®</p> <p>0.2 ... 6 mm<sup>2</sup> / 24 ... 10 AWG Page 47, 49</p>	<p>745 Series</p>  <p style="text-align: right;"><b>10</b></p> <p style="text-align: right;"><b>Ex</b></p> <p style="text-align: right;">CAGE CLAMP®</p> <p>0.2 ... 16 mm<sup>2</sup> / 24 ... 6 AWG Page 51, 53</p>	<p>745 Series</p>  <p style="text-align: right;"><b>Ex</b></p> <p style="text-align: right;">CAGE CLAMP®</p> <p>0.2 ... 6 mm<sup>2</sup> / 24 ... 10 AWG Page 45</p>	<p>745 Series</p>  <p style="text-align: right;"><b>Ex</b></p> <p style="text-align: right;">CAGE CLAMP®</p> <p>0.2 ... 16 mm<sup>2</sup> / 24 ... 6 AWG Page 51, 53</p>				
<p>737 Series</p>  <p style="text-align: right;"><b>10</b></p> <p style="text-align: right;">CAGE CLAMP®</p> <p>0.08 ... 2.5 mm<sup>2</sup> / 28 ... 12* AWG Page 67, 71</p>	<p>2636 Series</p>  <p style="text-align: right;"><b>10</b></p> <p style="text-align: right;">PUSH-IN CAGE CLAMP®</p> <p>0.75 ... 16 mm<sup>2</sup> / 18 ... 4 AWG Page 155</p>	<p>2624 Series</p>  <p style="text-align: right;"><b>11,5</b></p> <p style="text-align: right;">PUSH-IN CAGE CLAMP®</p> <p>0.2 ... 6 mm<sup>2</sup> / 24 ... 10 AWG Page 147</p>					
<p>256 Series</p>  <p style="text-align: right;"><b>Ex</b></p> <p style="text-align: right;">CAGE CLAMP®</p> <p>0.08 ... 2.5 mm<sup>2</sup> / 28 ... 12* AWG Page 111 ... 119</p>	<p>257 Series</p>  <p style="text-align: right;"><b>Ex</b></p> <p style="text-align: right;">CAGE CLAMP®</p> <p>0.08 ... 2.5 mm<sup>2</sup> / 28 ... 12* AWG Page 121 ... 129</p>			<p>2716 Series</p>  <p style="text-align: right;"><b>Ex</b></p> <p style="text-align: right;">CAGE CLAMP®</p> <p>1.5 ... 16 mm<sup>2</sup> / 16 ... 6 AWG Page 137</p>			
<p>2716 Series</p>  <p style="text-align: right;"><b>10</b></p> <p style="text-align: right;">CAGE CLAMP®</p> <p>1.5 ... 16 mm<sup>2</sup> / 16 ... 6 AWG Page 137</p>	<p>2716 Series</p>  <p style="text-align: right;"><b>10</b></p> <p style="text-align: right;">CAGE CLAMP®</p> <p>1.5 ... 16 mm<sup>2</sup> / 16 ... 6 AWG Page 139</p>			<p>2716 Series</p>  <p style="text-align: right;"><b>Ex</b></p> <p style="text-align: right;">CAGE CLAMP®</p> <p>1.5 ... 16 mm<sup>2</sup> / 16 ... 6 AWG Page 139</p>			
<p>2706 Series</p>  <p style="text-align: right;"><b>10</b></p> <p style="text-align: right;">CAGE CLAMP®</p> <p>0.5 ... 6 mm<sup>2</sup> / 20 ... 10 AWG Page 135</p>		<p>2706 Series</p>  <p style="text-align: right;"><b>Ex</b></p> <p style="text-align: right;">CAGE CLAMP®</p> <p>0.5 ... 6 mm<sup>2</sup> / 20 ... 10 AWG Page 133</p>					
<p>254 Series</p>  <p style="text-align: right;"><b>10</b></p> <p style="text-align: right;">PUSH WIRE®</p> <p>0.5 ... 2.5 mm<sup>2</sup> / 20 ... 12 AWG *sol.* Page 215, 217</p>	<p>Feedthrough terminal strips, 741 Series</p>  <p style="text-align: right;"><b>10</b></p> <p style="text-align: right;">CAGE CLAMP®</p> <p>0.08 ... 2.5 mm<sup>2</sup> / 28 ... 12* AWG Page 789 ... 795</p>						

 Only available in this pin spacing!

\*AWG 12: THHN, THWN

# MCS – MULTI CONNECTION SYSTEM

## – Product Overview by Pin Spacing –

2.5 mm/0.098 inch MICRO*	3.5 mm/0.138 inch, 3.81 mm/0.15 inch MINI*			3.5 mm/0.138 inch MINI HD*
<p>Female connectors, 733 Series</p>  <p>CAGE CLAMP®</p> <p>0.08 ... 0.5 mm<sup>2</sup> / 28 ... 20 AWG Page 329</p>	<p>Female connectors, 734 Series</p>  <p>CAGE CLAMP®</p> <p>0.08 ... 1.5 mm<sup>2</sup> / 28 ... 14 AWG Page 349, 379</p>	<p>Female connectors with locking levers, 734 Series</p>  <p>CAGE CLAMP®</p> <p>0.08 ... 1.5 mm<sup>2</sup> / 28 ... 14 AWG Page 349, 379</p>	<p>Female connectors with screw flanges, 734 Series</p>  <p>CAGE CLAMP®</p> <p>0.08 ... 1.5 mm<sup>2</sup> / 28 ... 14 AWG Page 349</p>	<p>Female connectors, 713 Series</p>  <p>CAGE CLAMP®</p> <p>0.08 ... 1.5 mm<sup>2</sup> / 28 ... 16 AWG Page 417</p>
<p>Female connectors with locking levers, 733 Series</p>  <p>CAGE CLAMP®</p> <p>0.08 ... 0.5 mm<sup>2</sup> / 28 ... 20 AWG Page 329</p>	<p>Female connectors with snap-in mounting feet, 734 Series</p>  <p>CAGE CLAMP®</p> <p>0.08 ... 1.5 mm<sup>2</sup> / 28 ... 14 AWG Page 350, 380</p>	<p>Female connectors with push-buttons, 2734 Series</p>  <p>PUSH-IN CAGE CLAMP®</p> <p>0.2 ... 1.5 mm<sup>2</sup> / 24 ... 14 AWG Page 353, 383</p>	<p>Female connectors with push-buttons and locking levers, 2734 Series</p>  <p>PUSH-IN CAGE CLAMP®</p> <p>0.2 ... 1.5 mm<sup>2</sup> / 24 ... 14 AWG Page 353, 383</p>	<p>Female connectors with levers, 713 Series</p>  <p>CAGE CLAMP®</p> <p>0.08 ... 1.5 mm<sup>2</sup> / 28 ... 16 AWG Page 417</p>
<p>Male headers with solder pins, 733 Series</p>  <p>Page 333</p>	<p>Female connectors with push-buttons and mounting flanges, 2734 Series</p>  <p>PUSH-IN CAGE CLAMP®</p> <p>0.2 ... 1.5 mm<sup>2</sup> / 24 ... 14 AWG Page 354, 383</p>	<p>Female connectors with push-buttons and screw flanges, 2734 Series</p>  <p>PUSH-IN CAGE CLAMP®</p> <p>0.2 ... 1.5 mm<sup>2</sup> / 24 ... 14 AWG Page 353</p>		<p>Female connectors with screw flanges, 713 Series</p>  <p>CAGE CLAMP®</p> <p>0.08 ... 1.5 mm<sup>2</sup> / 28 ... 16 AWG Page 417</p>
	<p>Male headers with solder pins, 734 Series</p>  <p>Page 369, 395</p>	<p>Male headers with solder pins and threaded flanges, 734 Series</p>  <p>Page 370</p>		<p>Male headers with solder pins, 713 Series</p>  <p>Page 419, (THR: Page 425)</p>
<p>Male headers with solder pins, 733 Series</p>  <p>Page 337</p>	<p>Double-deck male headers with solder pins, 734 Series</p>  <p>Page 369, 395</p>	<p>Male headers with solder pins, 734 Series</p>  <p>Page 375, 399</p>		<p>Male headers with solder pins and levers, 713 Series</p>  <p>Page 419 (THR: Page 429)</p>
<p>Male connectors 733 Series</p>  <p>CAGE CLAMP®</p> <p>0.08 ... 0.5 mm<sup>2</sup> / 28 ... 20 AWG Page 331</p>	<p>Male connectors 734 Series</p>  <p>CAGE CLAMP®</p> <p>0.08 ... 1.5 mm<sup>2</sup> / 28 ... 14 AWG Page 357, 387</p>	<p>Male connectors with mounting flanges, 734 Series</p>  <p>CAGE CLAMP®</p> <p>0.08 ... 1.5 mm<sup>2</sup> / 28 ... 14 AWG Page 357, 387</p>	<p>Male connectors with threaded flanges, 734 Series</p>  <p>CAGE CLAMP®</p> <p>0.08 ... 1.5 mm<sup>2</sup> / 28 ... 14 AWG Page 357</p>	<p>Male headers with solder pins and threaded flanges, 713 Series</p>  <p>Page 419 (THR: Page 427)</p>
	<p>Male connectors with snap-in mounting feet, 734 Series</p>  <p>CAGE CLAMP®</p> <p>0.08 ... 1.5 mm<sup>2</sup> / 28 ... 14 AWG Page 358, 388</p>	<p>Female headers with solder pins, 734 Series</p>  <p>Page 365, 391</p>	<p>Female headers with solder pins and locking levers, 734 Series</p>  <p>Page 365, 391</p>	
	<p>Combi strips, 734 Series</p>  <p>CAGE CLAMP®</p> <p>0.08 ... 1.5 mm<sup>2</sup> / 28 ... 14 AWG Page 361</p>	<p>Combi strips with snap-in mounting feet, 734 Series</p>  <p>CAGE CLAMP®</p> <p>0.08 ... 1.5 mm<sup>2</sup> / 28 ... 14 AWG Page 362</p>		

THR Through-Hole Reflow Soldering

● Only available in this pin spacing!

\*100 % protected against mismating



# MCS – MULTI CONNECTION SYSTEM

## – Product Overview by Pin Spacing –

5 mm/0.197 inch, 5.08 mm/0.2 inch MIDI Classic				
<p>Female connectors, 231 Series</p>  <p>(CAGE CLAMP®)</p> <p>0.08 ... 2.5 mm² / 28 ... 12 AWG Page 549, 603</p>	<p>Female connectors with integrated end plate, 231 Series</p>  <p>(CAGE CLAMP®)</p> <p>0.08 ... 2.5 mm² / 28 ... 12 AWG Page 549, 603</p>	<p>Female connectors with snap-in mounting feet, 231 Series</p>  <p>(CAGE CLAMP®)</p> <p>0.08 ... 2.5 mm² / 28 ... 12 AWG Page 551, 607</p>	<p>Female connectors with locking levers, 231 Series</p>  <p>(CAGE CLAMP®)</p> <p>0.08 ... 2.5 mm² / 28 ... 12 AWG Page 550, 604</p>	<p>Female connectors with mounting flanges, 231 Series</p>  <p>(CAGE CLAMP®)</p> <p>0.08 ... 2.5 mm² / 28 ... 12 AWG Page 550, 605</p>
<p>Angled female connectors, 232 Series</p>  <p>(CAGE CLAMP®)</p> <p>0.08 ... 2.5 mm² / 28 ... 12 AWG Page 553, 609</p>	<p>Female connectors with screw flanges, 231 Series</p>  <p>(CAGE CLAMP®) 5.08</p> <p>0.08 ... 2.5 mm² / 28 ... 12 AWG Page 604</p>	<p>Female connectors with flanges for panel mounting, 731 Series</p>  <p>(CAGE CLAMP®) 5</p> <p>0.08 ... 2.5 mm² / 28 ... 12 AWG Page 555</p>	<p>Female connectors with snap-in feet for panel mounting, 731 Series</p>  <p>(CAGE CLAMP®) 5</p> <p>0.08 ... 2.5 mm² / 28 ... 12 AWG Page 556</p>	
<p>Female connectors with push-buttons, 2231 Series</p>  <p>(PUSH-IN CAGE CLAMP®)</p> <p>0.2 ... 2.5 mm² / 24 ... 12 AWG Page 561, 615</p>	<p>Female connectors with push-buttons and integrated end plate, 2231 Series</p>  <p>(PUSH-IN CAGE CLAMP®)</p> <p>0.2 ... 2.5 mm² / 24 ... 12 AWG Page 561, 615</p>	<p>Female connectors with push-buttons and snap-in mounting feet, 2231 Series</p>  <p>(PUSH-IN CAGE CLAMP®)</p> <p>0.2 ... 2.5 mm² / 24 ... 12 AWG Page 562, 616</p>	<p>Female connectors with push-buttons and locking levers, 2231 Series</p>  <p>(PUSH-IN CAGE CLAMP®)</p> <p>0.2 ... 2.5 mm² / 24 ... 12 AWG Page 562, 615</p>	<p>Female connectors with push-buttons and mounting flanges, 2231 Series</p>  <p>(PUSH-IN CAGE CLAMP®)</p> <p>0.2 ... 2.5 mm² / 24 ... 12 AWG Page 562, 616</p>
<p>Female connectors with push-buttons and screw flanges, 2231 Series</p>  <p>(PUSH-IN CAGE CLAMP®) 5.08</p> <p>0.2 ... 2.5 mm² / 24 ... 12 AWG Page 616</p>	<p>2-conductor female connectors, 231 Series</p>  <p>(PUSH-IN CAGE CLAMP®)</p> <p>0.2 ... 2.5 mm² / 24 ... 12 AWG Page 559, 611</p>	<p>2-conductor female connectors with locking levers, 231 Series</p>  <p>(PUSH-IN CAGE CLAMP®)</p> <p>0.2 ... 2.5 mm² / 24 ... 12 AWG Page 559, 611</p>	<p>2-conductor female connectors with screw flanges, 231 Series</p>  <p>(PUSH-IN CAGE CLAMP®) 5.08</p> <p>0.2 ... 2.5 mm² / 24 ... 12 AWG Page 611</p>	
<p>Male headers with solder pins, 231 Series</p>  <p>Page 575, 629</p>	<p>Male headers with solder pins and mounting flanges, 231 Series</p>  <p>(THR) 5</p> <p>Page 575</p>	<p>Male headers with solder pins and threaded flanges, 231 Series</p>  <p>(5.08)</p> <p>Page 629</p>	<p>Male headers for double-deck assembly, 232 Series</p>  <p>Page 579, 633</p>	<p>Male headers with solder pins, 231 Series</p>  <p>(THR) 5</p> <p>Page 587 ... 592</p>
<p>Male connectors, 231 Series</p>  <p>(CAGE CLAMP®)</p> <p>0.08 ... 2.5 mm² / 28 ... 12 AWG Page 565, 619</p>	<p>Male connectors with snap-in mounting feet, 231 Series</p>  <p>(CAGE CLAMP®)</p> <p>0.08 ... 2.5 mm² / 28 ... 12 AWG Page 567, 621</p>	<p>Male connectors with mounting flanges, 231 Series</p>  <p>(CAGE CLAMP®)</p> <p>0.08 ... 2.5 mm² / 28 ... 12 AWG Page 565, 619</p>	<p>Male connectors with snap-in flanges, 231 Series</p>  <p>(CAGE CLAMP®)</p> <p>0.08 ... 2.5 mm² / 28 ... 12 AWG Page 566, 620</p>	<p>Male connectors with threaded flanges, 231 Series</p>  <p>(5.08) (CAGE CLAMP®)</p> <p>0.08 ... 2.5 mm² / 28 ... 12 AWG Page 619</p>
<p>Male connectors with snap-in and threaded flanges, 231 Series</p>  <p>(CAGE CLAMP®) 5.08</p> <p>0.08 ... 2.5 mm² / 28 ... 12 AWG Page 621</p>	<p>Double-pin male connectors for DIN-35 rail mounting, 232 Series</p>  <p>Page 595, 639</p>		<p>Female headers with solder pins, 232 Series</p>  <p>Page 569, 623</p>	<p>Female headers with solder pins and locking levers, 232 Series</p>  <p>Page 569, 623</p>
<p>Female headers with solder pins and mounting flanges, 232 Series</p>  <p>Page 571, 625</p>	<p>Female headers with solder pins and spacers, 232 Series</p>  <p>Page 572, 626</p>	<p>Male connectors for rail-mount terminal blocks, 231 Series</p>  <p>(5)</p> <p>Page 600</p>	<p>Female connectors for rail-mount terminal blocks, 232 Series</p>  <p>(5)</p> <p>Page 597</p>	<p>Female connectors with locking levers, for rail-mount terminal blocks, 232 Series</p>  <p>(5)</p> <p>Page 597</p>

**(THR)** Through-Hole Reflow Soldering      **(5.08)** Only available in this pin spacing!

7.5 mm/0.295 inch MIDI*		
<p>Female connectors, 721 Series</p>  <p><i>CAGE CLAMP</i></p> <p>0.08 ... 2.5 mm<sup>2</sup> / 28 ... 12 AWG Page 493</p>	<p>Female connectors with snap-in mounting feet, 721 Series</p>  <p><i>CAGE CLAMP</i></p> <p>0.08 ... 2.5 mm<sup>2</sup> / 28 ... 12 AWG Page 494</p>	<p>Female connectors with locking levers, 721 Series</p>  <p><i>CAGE CLAMP</i></p> <p>0.08 ... 2.5 mm<sup>2</sup> / 28 ... 12 AWG Page 493</p>
<p>Female connectors with mounting flanges, 721 Series</p>  <p><i>CAGE CLAMP</i></p> <p>0.08 ... 2.5 mm<sup>2</sup> / 28 ... 12 AWG Page 493, 494</p>	<p>Female connectors with flanges for panel mounting, 721 Series</p>  <p><i>CAGE CLAMP</i></p> <p>0.08 ... 2.5 mm<sup>2</sup> / 28 ... 12 AWG Page 497</p>	<p>Female connectors with snap-in feet for panel mounting, 721 Series</p>  <p><i>CAGE CLAMP</i></p> <p>0.08 ... 2.5 mm<sup>2</sup> / 28 ... 12 AWG Page 497</p>
<p>Female connectors with push-buttons, 2721 Series</p>  <p><i>PUSH-IN CAGE CLAMP</i></p> <p>0.2 ... 2.5 mm<sup>2</sup> / 24 ... 12 AWG Page 501</p>	<p>Female connectors with push-buttons and snap-in mounting feet, 2721 Series</p>  <p><i>PUSH-IN CAGE CLAMP</i></p> <p>0.2 ... 2.5 mm<sup>2</sup> / 24 ... 12 AWG Page 502</p>	<p>Female connectors with push-buttons and locking levers, 2721 Series</p>  <p><i>PUSH-IN CAGE CLAMP</i></p> <p>0.2 ... 2.5 mm<sup>2</sup> / 24 ... 12 AWG Page 501</p>
<p>Female connectors with push-buttons and mounting flanges, 2721 Series</p>  <p><i>PUSH-IN CAGE CLAMP</i></p> <p>0.2 ... 2.5 mm<sup>2</sup> / 24 ... 12 AWG Page 501</p>	<p>2-conductor female connectors, 721 Series</p>  <p><i>PUSH-IN CAGE CLAMP</i></p> <p>0.2 ... 2.5 mm<sup>2</sup> / 24 ... 12 AWG Page 499</p>	<p>2-conductor female connectors with locking levers, 721 Series</p>  <p><i>PUSH-IN CAGE CLAMP</i></p> <p>0.2 ... 2.5 mm<sup>2</sup> / 24 ... 12 AWG Page 499</p>
<p>Male headers with solder pins, 721 Series</p>  <p>Page 519</p>		
<p>Male connectors, 723 Series</p>  <p><i>CAGE CLAMP</i></p> <p>0.08 ... 2.5 mm<sup>2</sup> / 28 ... 12 AWG Page 505</p>	<p>Male connectors with snap-in mounting feet, 723 Series</p>  <p><i>CAGE CLAMP</i></p> <p>0.08 ... 2.5 mm<sup>2</sup> / 28 ... 12 AWG Page 506</p>	<p>Male connectors with mounting flanges, 723 Series</p>  <p><i>CAGE CLAMP</i></p> <p>0.08 ... 2.5 mm<sup>2</sup> / 28 ... 12 AWG Page 505</p>
<p>Male connectors with snap-in flanges, 723 Series</p>  <p><i>CAGE CLAMP</i></p> <p>0.08 ... 2.5 mm<sup>2</sup> / 28 ... 12 AWG Page 505</p>		<p>Female headers with solder pins, 722 Series</p>  <p>Page 513</p>
<p>Female headers with solder pins and locking levers, 722 Series</p>  <p>Page 513</p>	<p>Female headers with solder pins and mounting flanges, 722 Series</p>  <p>Page 514</p>	<p>Female headers with solder pins and spacers, 722 Series</p>  <p>Page 516</p>

\*100 % protected against mismatching

# MCS – MULTI CONNECTION SYSTEM

## – Product Overview by Pin Spacing –

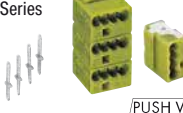
7.5 mm/0.295 inch, 7.62 mm/0.3 inch MIDI Classic			7.62 mm/0.3 inch MAXI 6*	10.16 mm/0.4 inch MAXI 16*
<p>Female connectors, 231 Series</p>  <p><b>CAGE CLAMP®</b></p> <p>0.08 ... 2.5 mm<sup>2</sup> / 28 ... 12 AWG Page 641, 685</p>	<p>Female connectors with snap-in mounting feet, 231 Series</p>  <p><b>CAGE CLAMP®</b></p> <p>0.08 ... 2.5 mm<sup>2</sup> / 28 ... 12 AWG Page 642, 686</p>	<p>Female connectors with locking levers, 231 Series</p>  <p><b>CAGE CLAMP®</b></p> <p>0.08 ... 2.5 mm<sup>2</sup> / 28 ... 12 AWG Page 641, 685</p>	<p>Female connectors, 831 Series</p>  <p><b>PUSH-IN CAGE CLAMP®</b></p> <p>0.5 ... 10 mm<sup>2</sup> / 20 ... 8 AWG Page 741</p>	<p>Female connectors, 832 Series</p>  <p><b>PUSH-IN CAGE CLAMP®</b></p> <p>0.75 ... 16 mm<sup>2</sup> / 18 ... 4 AWG Page 747</p>
<p>Female connectors with mounting flanges, 231 Series</p>  <p><b>CAGE CLAMP®</b></p> <p>0.08 ... 2.5 mm<sup>2</sup> / 28 ... 12 AWG Page 641, 685</p>	<p>Angled female connectors, 732 Series</p>  <p><b>CAGE CLAMP®</b></p> <p>0.08 ... 2.5 mm<sup>2</sup> / 28 ... 12 AWG Page 645, 689</p>	<p>Female connectors with flanges or snap-in feet for panel mounting, 731 Series</p>  <p><b>CAGE CLAMP®</b></p> <p>0.08 ... 2.5 mm<sup>2</sup> / 28 ... 12 AWG Page 647</p>	<p>Female connectors with locking levers, 831 Series</p>  <p><b>PUSH-IN CAGE CLAMP®</b></p> <p>0.5 ... 10 mm<sup>2</sup> / 20 ... 8 AWG Page 741</p>	<p>Female connectors with locking levers, 831 Series</p>  <p><b>PUSH-IN CAGE CLAMP®</b></p> <p>0.75 ... 16 mm<sup>2</sup> / 18 ... 4 AWG Page 747</p>
<p>Female connectors with push-buttons, 2231 Series</p>  <p><b>PUSH-IN CAGE CLAMP®</b></p> <p>0.2 ... 2.5 mm<sup>2</sup> / 24 ... 12 AWG Page 653, 693</p>	<p>Female connectors with push-buttons and snap-in mounting feet, 2231 Series</p>  <p><b>PUSH-IN CAGE CLAMP®</b></p> <p>0.2 ... 2.5 mm<sup>2</sup> / 24 ... 12 AWG Page 654, 694</p>	<p>Female connectors with push-buttons and locking levers, 2231 Series</p>  <p><b>PUSH-IN CAGE CLAMP®</b></p> <p>0.2 ... 2.5 mm<sup>2</sup> / 24 ... 12 AWG Page 653, 693</p>		
<p>Female connectors with push-buttons and mounting flanges, 2231 Series</p>  <p><b>PUSH-IN CAGE CLAMP®</b></p> <p>0.2 ... 2.5 mm<sup>2</sup> / 24 ... 12 AWG Page 653, 693</p>	<p>2-conductor female connectors, 231 Series</p>  <p><b>PUSH-IN CAGE CLAMP®</b></p> <p>0.2 ... 2.5 mm<sup>2</sup> / 24 ... 12 AWG Page 651, 691</p>	<p>2-conductor female connectors with locking levers, 231 Series</p>  <p><b>PUSH-IN CAGE CLAMP®</b></p> <p>0.2 ... 2.5 mm<sup>2</sup> / 24 ... 12 AWG Page 651, 691</p>		
<p>Male headers with solder pins, 231 Series</p>  <p><b>THR</b></p> <p>Page 667, 707</p>	<p>Male headers with solder pins and mounting flanges, 231 Series</p>  <p><b>THR</b></p> <p>Page 667</p>	<p>Male headers with solder pins, 231 Series</p>  <p><b>THR</b></p> <p>Page 675 ... 680</p>	<p>Male headers with solder pins, 831 Series</p>  <p>Page 745</p>	<p>Male headers with solder pins, 832 Series</p>  <p>Page 751</p>
<p>Male connectors, 731 Series</p>  <p><b>CAGE CLAMP®</b></p> <p>0.08 ... 2.5 mm<sup>2</sup> / 28 ... 12 AWG Page 657, 697</p>	<p>Male connectors with snap-in mounting feet, 731 Series</p>  <p><b>CAGE CLAMP®</b></p> <p>0.08 ... 2.5 mm<sup>2</sup> / 28 ... 12 AWG Page 659, 699</p>	<p>Male connectors with mounting flanges, 731 Series</p>  <p><b>CAGE CLAMP®</b></p> <p>0.08 ... 2.5 mm<sup>2</sup> / 28 ... 12 AWG Page 657, 697</p>	<p>Male connectors, 831 Series</p>  <p><b>PUSH-IN CAGE CLAMP®</b></p> <p>0.5 ... 10 mm<sup>2</sup> / 20 ... 8 AWG Page 743</p>	<p>Male connectors, 832 Series</p>  <p><b>PUSH-IN CAGE CLAMP®</b></p> <p>0.75 ... 16 mm<sup>2</sup> / 18 ... 4 AWG Page 749</p>
<p>Male connectors with snap-in flanges, 731 Series</p>  <p><b>CAGE CLAMP®</b></p> <p>0.08 ... 2.5 mm<sup>2</sup> / 28 ... 12 AWG Page 658, 698</p>	<p>Double-pin male connectors for DIN-35 rail mounting, 232 Series</p>  <p>Page 683, 711</p>	<p>Female headers with solder pins, 232 Series</p>  <p>Page 661, 701</p>		
<p>Female headers with solder pins and locking levers, 232 Series</p>  <p>Page 661, 701</p>	<p>Female headers with solder pins and mounting flanges, 232 Series</p>  <p>Page 663, 703</p>	<p>Female headers with solder pins and spacers, 232 Series</p>  <p>Page 644, 704</p>	<p>Male connectors for DIN-35 rail mounting, 831 Series</p>  <p><b>PUSH-IN CAGE CLAMP®</b></p> <p>0.5 ... 10 mm<sup>2</sup> / 20 ... 8 AWG Page 743</p>	

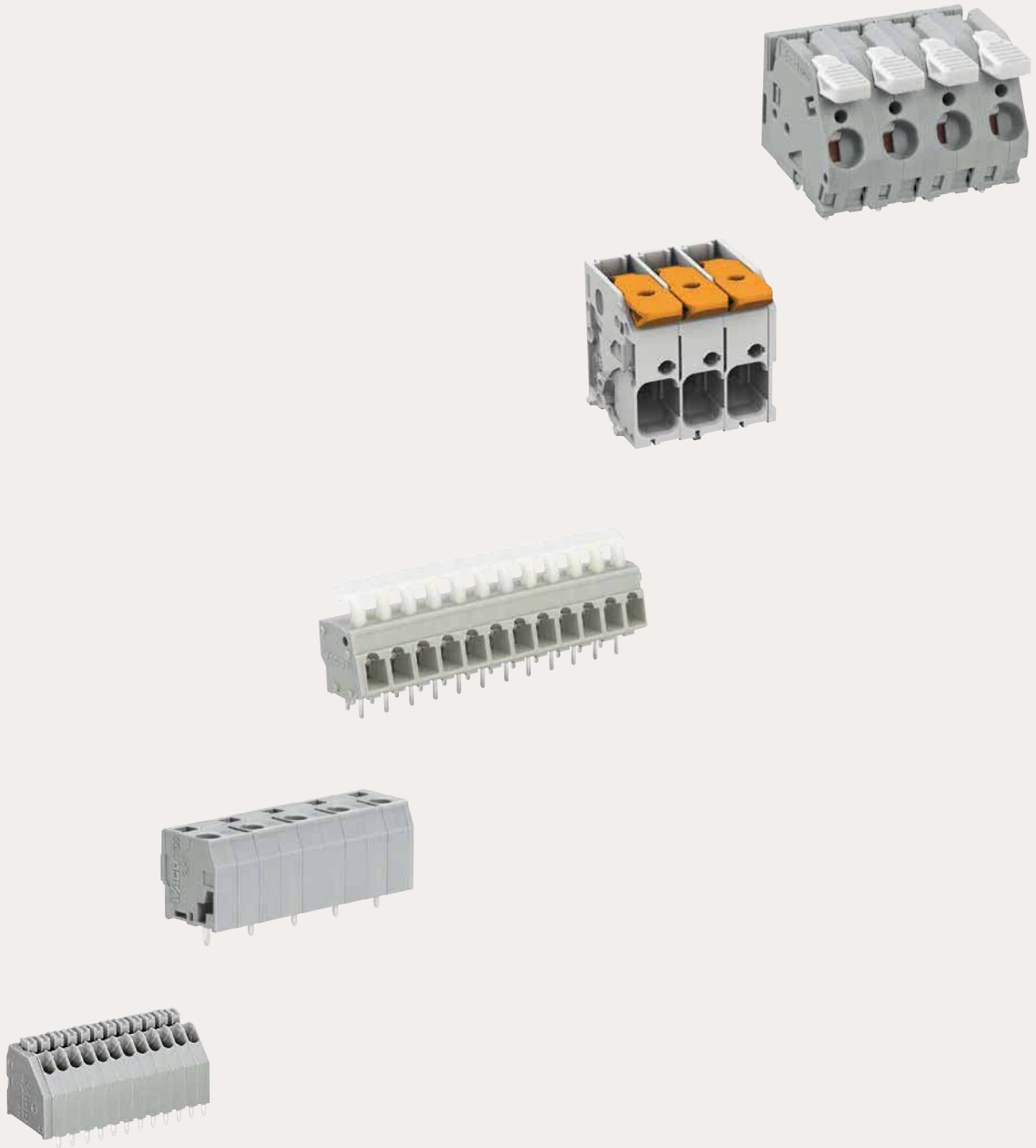
**THR** Through-Hole Reflow Soldering

**●** Only available in this pin spacing!

\*100 % protected against mismatching

# Connectors for:













3.5 mm/0.138 inch	5 mm/0.197 inch, 5.75 mm/0.23 inch	Specialty Applications	KNX/EIB Applications
<p>2-conductor compact PCB connectors, 252 Series</p>  <p><b>PUSH WIRE®</b></p> <p>2 x 0.4 ... 0.8 mm Ø / 2 x 26 ... 20 AWG Page 763 "sol."</p>	<p>2-conductor PCB connector strips (pinstrip pluggable), 806 Series</p>  <p><b>PUSH-IN CAGE CLAMP®</b></p> <p>2 x 0.2 ... 1.5 mm<sup>2</sup> / 2 x 24 ... 16 AWG Page 765</p>	<p>Wire-tap branch connectors, 730 Series</p>  <p><b>IDC CAGE CLAMP®</b></p> <p>0.75 ... 1.5 mm<sup>2</sup> / 18 ... 16 AWG Page 808, 813</p>	<p>Connectors for bus coupler units, 243 Series</p>  <p><b>PUSH WIRE®</b></p> <p>4 x 0.6 ... 0.8 mm Ø / 22 ... 20 AWG Page 817 "sol."</p>
<p>2-conductor compact PCB connectors, 252 Series</p>  <p><b>PUSH WIRE®</b></p> <p>2 x 0.4 ... 0.8 mm Ø / 2 x 26 ... 20 AWG Page 763 "sol."</p>	<p>4-conductor modular PCB connectors, 243 Series</p>  <p><b>PUSH WIRE®</b></p> <p>4 x 0.4 ... 0.8 mm Ø / 4 x 24 ... 18 AWG Page 767 "sol."</p>		



# WAGO PCB Terminal Blocks



# WAGO PCB Terminal Blocks

	Nominal Cross-Section	Series	Page
	PCB Terminal Blocks ▶ Actuation type: Operating tool ▶ CAGE CLAMP®		
	0.5 mm <sup>2</sup>	233	18
	2.5 mm <sup>2</sup>	236	20
	4; 6; 16 mm <sup>2</sup>	745	34
	2.5 mm <sup>2</sup>	736	56
	2.5 mm <sup>2</sup>	737	64
	2.5 mm <sup>2</sup>	738	72
	PCB Terminal Blocks ▶ Actuation type: Push-button, Locking slide, Lever ▶ CAGE CLAMP®		
	0.5 mm <sup>2</sup>	218	94
	0.5 mm <sup>2</sup>	233	98
	0.5 mm <sup>2</sup>	234	100
	2.5 mm <sup>2</sup>	255	104
	2.5 mm <sup>2</sup>	256	110
	2.5 mm <sup>2</sup>	257	120
	2-Conductor PCB Terminal Blocks ▶ Actuation type: Operating tool ▶ Push-in CAGE CLAMP®		
	1.5 mm <sup>2</sup>	816	140
	10 mm <sup>2</sup>	746	142
	PCB Terminal Blocks ▶ Actuation type: Operating tool ▶ Push-in CAGE CLAMP®		
	6 mm <sup>2</sup>	2624	144
	10 mm <sup>2</sup>	2626	150
	PCB Terminal Blocks ▶ Actuation type: Push-button, Lever ▶ Push-in CAGE CLAMP®		
	0.5; 1.5; 2.5 mm <sup>2</sup>	250	160
	0.75; 1.5 mm <sup>2</sup>	235	172
	1.5 mm <sup>2</sup>	805	182
	2.5 mm <sup>2</sup>	804	188
	4 mm <sup>2</sup>	2604	190
	PCB Terminal Blocks ▶ Actuation type: Operating tool ▶ PUSH WIRE®		
	1.5; 2.5 mm <sup>2</sup>	235	204
	2.5 mm <sup>2</sup>	254	214
	1.5 mm <sup>2</sup>	744	218
	PCB Terminal Blocks ▶ Actuation type: Push-button ▶ PUSH WIRE®		
	1.5 mm <sup>2</sup>	735	222
	PCB Terminal Blocks ▶ Actuation type: Operating tool ▶ PUSH WIRE® ▶ IDC-Anschluss		
	1.5 mm <sup>2</sup>	251	230
	2-conductor PCB Terminal Blocks ▶ Actuation type: Operating tool ▶ PUSH WIRE®		
	1.5 mm <sup>2</sup>	253	232
	Modular PCB Disconnect/Test Terminal Blocks ▶ Actuation type: Operating tool ▶ CAGE CLAMP®		
	2.5 mm <sup>2</sup>	742	236
	Modular PCB Fuse Terminal Blocks ▶ Actuation type: Operating tool ▶ CAGE CLAMP®		
	2.5 mm <sup>2</sup>	742	244
	Accessories for PCB Terminal Blocks		
			252
	Accessories and Tools		
			829

## 233 and 236 Series Description and Installation

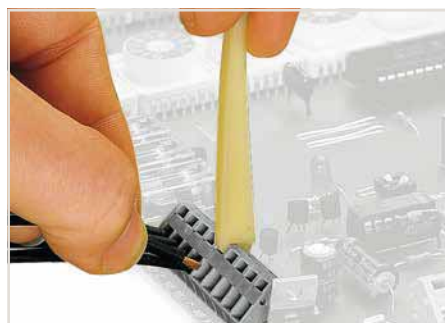
1



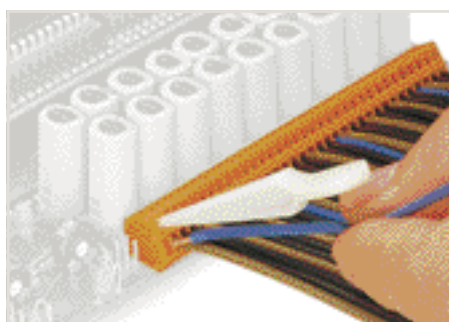
Inserting a conductor via 3.5 mm screwdriver. Screwdriver actuation parallel to conductor entry.



Inserting a conductor via 3.5 mm screwdriver. Screwdriver actuation perpendicular to conductor entry.



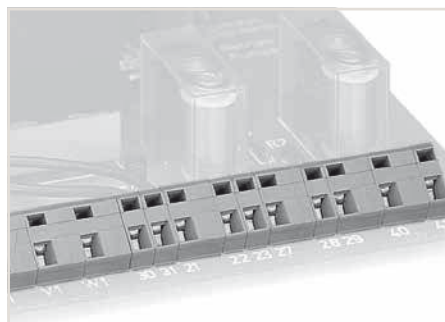
Inserting a conductor via operating tool.



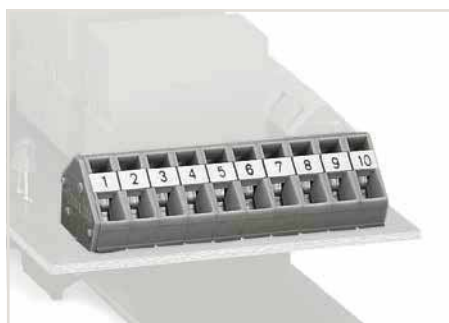
Inserting a conductor via 233-332 Operating Tool. Operation is performed parallel to conductor entry.



PCB Terminal Strips placed behind each other save space – staggering them by half the pin spacing simplifies subsequent wiring of the first row.



Combining PCB terminal blocks with different pin spacing.



Labeling with self-adhesive marking strips.



Labeling via factory direct marking.



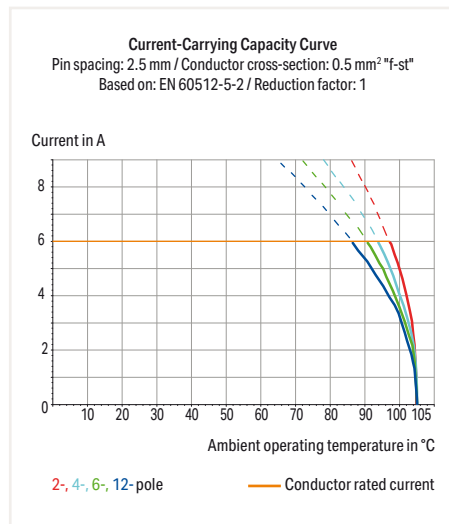
## PCB Terminal Block ▶ 233 Series

CAGE CLAMP® ▶ Actuation type: Operating tool ▶ 0.5 mm<sup>2</sup> ▶ Terminal strip

1



- Compact terminal strips with CAGE CLAMP® connection and screwdriver actuation parallel or perpendicular to conductor entry
- Double solder pins for high mechanical stability
- Custom color combinations



Electrical Data			
Pin spacing	2.5 mm (0.098 inch) / 2.54 mm (0.1 inch)		
Ratings per	IEC/EN 60664-1		
Overvoltage category	III	III	II
Pollution degree	3	2	2
Rated voltage	63 V	160 V	320 V
Rated impulse voltage	2.5 kV	2.5 kV	2.5 kV
Rated current	6 A	6 A	6 A
Approvals per	UL 1059		
Use Group	B	C	D
Rated voltage	150 V	-	-
Rated current	4 A	-	-
Approvals per	CSA		
Use Group	B	C	D
Rated voltage	150 V	-	-
Rated current	4 A	-	-

Connection Data	
Connection technology	CAGE CLAMP®
Strip length	5 ... 6 mm / 0.2 ... 0.24 inch
Conductor entry angle to the PCB	30°
Solid conductor	0.08 ... 0.5 mm <sup>2</sup> / 28 ... 20 AWG
Fine-stranded conductor	0.08 ... 0.5 mm <sup>2</sup> / 28 ... 20 AWG
Fine-stranded conductor with ferrule with plastic collar	0.25 mm <sup>2</sup>
Fine-stranded conductor with ferrule without plastic collar	0.25 mm <sup>2</sup>
Note (conductor cross-section)	Terminating 0.75 mm <sup>2</sup> /18 AWG conductors is possible; however insulation diameter allows only every other clamping unit to be terminated with this conductor size.

Material Data	
Material group	I
Insulating material	Polyamide 66 (PA 66)
Flammability class per UL94	V0
Clamping spring material	Chrome nickel spring steel (CrNi)
Contact material	Electrolytic copper (Ecu)
Contact plating	Tin-plated

Mechanical Data	
Solder pin arrangement	Over the entire terminal strip, in line
Solder pin length	4 mm
Solder pin dimensions	0.5 x 0.75 mm
Drilled hole diameter (tolerance)	1.1 <sup>(+0.1)</sup> mm

Environmental Requirements	
Limit temperature range	-60 ... +105 °C

Ferrule Page 847

Marking Page 832

Tools Page 838, 839

Additional information, see "Technical Section"

Approvals and corresponding ratings, visit [www.wago.com](http://www.wago.com)

## PCB Terminal Block ▶ 233 Series

CAGE CLAMP® ▶ Actuation type: Operating tool ▶ 0.5 mm<sup>2</sup> ▶ Terminal strip

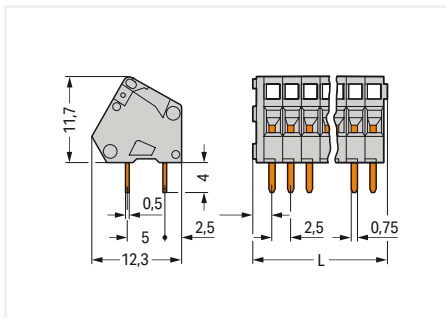
Pin spacing: 2.5 mm (0.098 inch) ▶ Color: gray

Pin spacing: 2.54 mm (0.1 inch) ▶ Color: orange

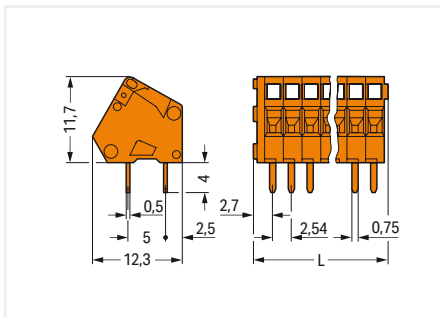


Pole No.	Item No.	PU (SPU)
2	233-102	600 (100)
3	233-103	500 (125)
4	233-104	400 (100)
5	233-105	340 (85)
6	233-106	280 (70)
7	233-107	240 (60)
8	233-108	220 (55)
9	233-109	200 (50)
10	233-110	180 (45)
12	233-112	140 (35)

Pole No.	Item No.	PU (SPU)
2	233-402	600 (100)
3	233-403	500 (125)
4	233-404	400 (100)
5	233-405	340 (85)
6	233-406	280 (70)
7	233-407	240 (60)
8	233-408	220 (55)
9	233-409	200 (50)
10	233-410	180 (45)
12	233-412	140 (35)



L = (pole no. x pin spacing) + 2.3 mm



L = (pole no. x pin spacing) + 2.3 mm

PU = Packaging Unit; SPU = Subpackaging Unit; Dimensions in mm

Other variants can be requested via the WAGO sales department or, if necessary, configured at <https://configurator.wago.com/>:

- Other pole numbers
- Other colors
- Mixed-color terminal strips
- Direct marking

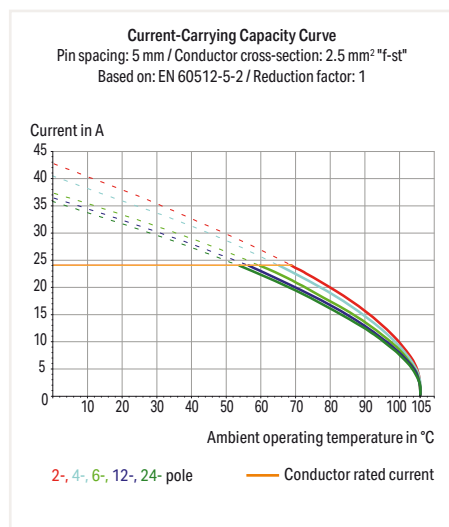
## PCB Terminal Block ▶ 236 Series

CAGE CLAMP® ▶ Actuation type: Operating tool ▶ 2.5 mm<sup>2</sup> ▶ Modular Terminal Block ▶ Pin spacing: 5/5.08 mm / 0.197/0.2 inch

1



- Modular PCB terminal blocks with CAGE CLAMP® connection, screwdriver actuation parallel or perpendicular to conductor entry
- Versions with Ex approval
- For custom PCB terminal strip assemblies
- 45° conductor entry angle permits a wide range of applications and wiring options
- Set to metric or inch pin spacing by compressing PCB terminal strips or pulling them apart



### Electrical Data

Pin spacing	5/5.08 mm / 0.197/0.2 inch		
Ratings per	IEC/EN 60664-1		
Overvoltage category	III	III	II
Pollution degree	3	2	2
Rated voltage	250 V	320 V	630 V
Rated impulse voltage	4 kV	4 kV	4 kV
Rated current	24 A	24 A	24 A
Approvals per	UL 1059		
Use Group	B	C	D
Rated voltage	300 V	-	300 V
Rated current	15 A	-	10 A
Approvals per	CSA		
Use Group	B	C	D
Rated voltage	300 V	-	300 V
Rated current	15 A	-	10 A

### Connection Data

Connection technology	CAGE CLAMP®
Strip length	5 ... 6 mm / 0.2 ... 0.24 inch
Conductor entry angle to the PCB	45°
Solid conductor	0.08 ... 2.5 mm <sup>2</sup> / 28 ... 12 AWG
Fine-stranded conductor	0.08 ... 2.5 mm <sup>2</sup> / 28 ... 12 AWG
Fine-stranded conductor with ferrule with plastic collar	0.25 ... 1.5 mm <sup>2</sup>
Fine-stranded conductor with ferrule without plastic collar	0.25 ... 1.5 mm <sup>2</sup>
Note (conductor cross-section)	12 AWG: THHN, THWN

### Material Data

Material group	I
Insulating material	Polyamide 66 (PA 66)
Flammability class per UL94	V0
Clamping spring material	Chrome nickel spring steel (CrNi)
Contact material	Electrolytic copper (Ecu)
Contact plating	Tin-plated

### Mechanical Data

Solder pin length	4 mm
Solder pin dimensions	0.7 x 0.7 mm
Drilled hole diameter (tolerance)	1.1 <sup>(+0.1)</sup> mm

### Environmental Requirements

Limit temperature range	-60 ... +105 °C
-------------------------	-----------------

Ferrule [Page 847](#)

Marking [Page 833](#)

Testing and measuring [Page 254](#)

Tools [Page 838](#)

Commoning strips [Page 248](#)

Additional information, see "Technical Section"

Approvals and corresponding ratings, visit [www.wago.com](http://www.wago.com)

## PCB Terminal Block ▶ 236 Series

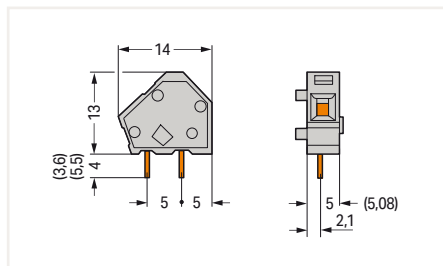
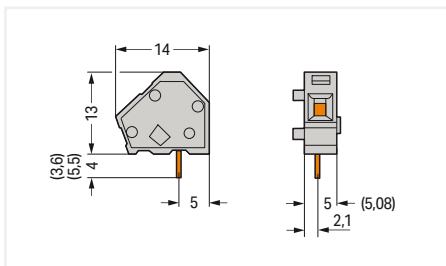
CAGE CLAMP® ▶ Actuation type: Operating tool ▶ 2.5 mm<sup>2</sup> ▶ Modular Terminal Block ▶ Pin spacing: 5/5.08 mm / 0.197/0.2 inch

Number of solder pins per potential: 1

Number of solder pins per potential: 2



Color	Item No.	PU (SPU)	Color	Item No.	PU (SPU)
gray	236-101	600 (100)	gray	236-401	600 (100)
blue	236-714	600 (100)	blue	236-744	600 (100)
orange	236-716	600 (100)	orange	236-746	600 (100)
black	236-854	600 (100)	black	236-851	600 (100)
yellow	236-711	600 (100)	yellow	236-741	600 (100)
light gray	236-713	600 (100)	light gray	236-743	600 (100)
green	236-715	600 (100)	green	236-745	600 (100)
light green	236-717	600 (100)	light green	236-747	600 (100)
violet	236-894	600 (100)	violet	236-891	600 (100)
brown	236-884	600 (100)	brown	236-881	600 (100)
red	236-710	600 (100)	red	236-740	600 (100)
dark gray	236-712	600 (100)	dark gray	236-742	600 (100)



Accessories; for all products on this page



End plate; 1 mm; snap-on type

Color	Item No.	PU (SPU)
gray	236-100	2000 (100)
blue	236-400	2000 (100)
orange	236-600	2000 (100)
black	236-850	2000 (100)
light gray	236-300	2000 (100)
green	236-500	2000 (100)
light green	236-700	2000 (100)
red	236-800	2000 (100)
dark gray	236-200	2000 (100)

PU = Packaging Unit; SPU = Subpackaging Unit; Dimensions in mm

Other variants can be requested via the WAGO sales department or, if necessary, configured at <https://configurator.wago.com/>:

- Versions for Ex e II and Ex i
- Solder pin length: 3.6 mm
- Solder pin length: 5.5 mm

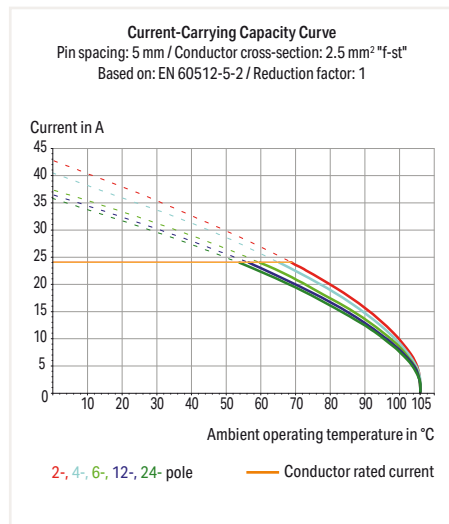
## PCB Terminal Block ▶ 236 Series

CAGE CLAMP® ▶ Actuation type: Operating tool ▶ 2.5 mm<sup>2</sup> ▶ Modular Terminal Block ▶ Pin spacing: 7.5/7.62 mm / 0.295/0.3 inch

1



- Modular PCB terminal blocks with CAGE CLAMP® connection, screwdriver actuation parallel or perpendicular to conductor entry
- Versions with Ex approval
- For custom PCB terminal strip assemblies
- 45° conductor entry angle permits a wide range of applications and wiring options
- Set to metric or inch pin spacing by compressing PCB terminal strips or pulling them apart



### Electrical Data

Pin spacing	7.5/7.62 mm / 0.295/0.3 inch		
Ratings per	IEC/EN 60664-1		
Overvoltage category	III	III	II
Pollution degree	3	2	2
Rated voltage	400 V	630 V	1000 V
Rated impulse voltage	6 kV	6 kV	6 kV
Rated current	24 A	24 A	24 A
Approvals per	UL 1059		
Use Group	B	C	D
Rated voltage	300 V	-	300 V
Rated current	15 A	-	10 A
Approvals per	CSA		
Use Group	B	C	D
Rated voltage	300 V	-	300 V
Rated current	15 A	-	10 A

### Connection Data

Connection technology	CAGE CLAMP®
Strip length	5 ... 6 mm / 0.2 ... 0.24 inch
Conductor entry angle to the PCB	45°
Solid conductor	0.08 ... 2.5 mm <sup>2</sup> / 28 ... 12 AWG
Fine-stranded conductor	0.08 ... 2.5 mm <sup>2</sup> / 28 ... 12 AWG
Fine-stranded conductor with ferrule with plastic collar	0.25 ... 1.5 mm <sup>2</sup>
Fine-stranded conductor with ferrule without plastic collar	0.25 ... 1.5 mm <sup>2</sup>
Note (conductor cross-section)	12 AWG: THHN, THWN

### Material Data

Material group	I
Insulating material	Polyamide 66 (PA 66)
Flammability class per UL94	V0
Clamping spring material	Chrome nickel spring steel (CrNi)
Contact material	Electrolytic copper (Ecu)
Contact plating	Tin-plated

### Mechanical Data

Solder pin dimensions	0.7 x 0.7 mm
Drilled hole diameter (tolerance)	1.1 <sup>(+0.1)</sup> mm

### Environmental Requirements

Limit temperature range	-60 ... +105 °C
-------------------------	-----------------

Ferrule [Page 847](#)

Marking [Page 833](#)

Testing and measuring [Page 254](#)

Tools [Page 838](#)

Commoning strips [Page 248](#)

Additional information, see "Technical Section"

Approvals and corresponding ratings, visit [www.wago.com](http://www.wago.com)



## PCB Terminal Block ▶ 236 Series

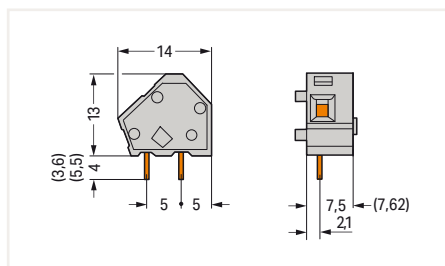
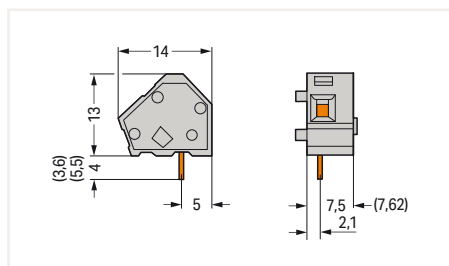
CAGE CLAMP® ▶ Actuation type: Operating tool ▶ 2.5 mm<sup>2</sup> ▶ Modular Terminal Block ▶ Pin spacing: 7.5/7.62 mm / 0.295/0.3 inch

Number of solder pins per potential: 1

Number of solder pins per potential: 2



Color	Item No.	PU (SPU)	Color	Item No.	PU (SPU)
gray	236-201	400 (100)	gray	236-501	400 (100)
blue	236-724	400 (100)	blue	236-754	400 (100)
orange	236-726	400 (100)	orange	236-756	400 (100)
black	236-855	400 (100)	black	236-852	400 (100)
light gray	236-723	400 (100)	light gray	236-753	400 (100)
green	236-725	400 (100)	green	236-755	400 (100)
light green	236-727	400 (100)	light green	236-757	400 (100)
brown	236-885	400 (100)	brown	236-882	400 (100)
dark gray	236-722	400 (100)	dark gray	236-752	400 (100)



Accessories; for all products on this page



End plate; 1 mm; snap-on type

Color	Item No.	PU (SPU)
gray	236-100	2000 (100)
blue	236-400	2000 (100)
orange	236-600	2000 (100)
black	236-850	2000 (100)
light gray	236-300	2000 (100)
green	236-500	2000 (100)
light green	236-700	2000 (100)
red	236-800	2000 (100)
dark gray	236-200	2000 (100)

PU = Packaging Unit; SPU = Subpackaging Unit; Dimensions in mm

Other variants can be requested via the WAGO sales department or, if necessary, configured at <https://configurator.wago.com/>:

- Versions for Ex e II and Ex i
- Solder pin length: 3.6 mm
- Solder pin length: 5.5 mm

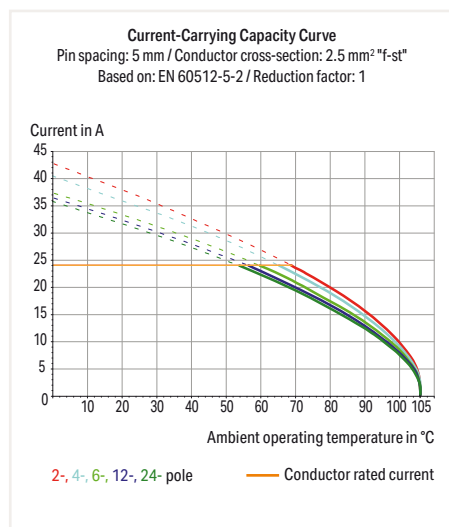
## PCB Terminal Block ▶ 236 Series

CAGE CLAMP® ▶ Actuation type: Operating tool ▶ 2.5 mm<sup>2</sup> ▶ Modular Terminal Block ▶ Pin spacing: 10/10.16 mm / 0.394/0.4 inch

1



- Modular PCB terminal blocks with CAGE CLAMP® connection, screwdriver actuation parallel or perpendicular to conductor entry
- Versions with Ex approval
- For custom PCB terminal strip assemblies
- 45° conductor entry angle permits a wide range of applications and wiring options
- Set to metric or inch pin spacing by compressing PCB terminal strips or pulling them apart



### Electrical Data

Pin spacing	10/10.16 mm / 0.394/0.4 inch		
Ratings per	IEC/EN 60664-1		
Overvoltage category	III	III	II
Pollution degree	3	2	2
Rated voltage	630 V	1000 V	1000 V
Rated impulse voltage	8 kV	8 kV	8 kV
Rated current	24 A	24 A	24 A
Approvals per	UL 1059		
Use Group	B	C	D
Rated voltage	300 V	-	300 V
Rated current	15 A	-	10 A
Approvals per	CSA		
Use Group	B	C	D
Rated voltage	300 V	-	300 V
Rated current	15 A	-	10 A

### Connection Data

Connection technology	CAGE CLAMP®
Strip length	5 ... 6 mm / 0.2 ... 0.24 inch
Conductor entry angle to the PCB	45°
Solid conductor	0.08 ... 2.5 mm <sup>2</sup> / 28 ... 12 AWG
Fine-stranded conductor	0.08 ... 2.5 mm <sup>2</sup> / 28 ... 12 AWG
Fine-stranded conductor with ferrule with plastic collar	0.25 ... 1.5 mm <sup>2</sup>
Fine-stranded conductor with ferrule without plastic collar	0.25 ... 1.5 mm <sup>2</sup>
Note (conductor cross-section)	12 AWG: THHN, THWN

### Material Data

Material group	I
Insulating material	Polyamide 66 (PA 66)
Flammability class per UL94	V0
Clamping spring material	Chrome nickel spring steel (CrNi)
Contact material	Electrolytic copper (Ecu)
Contact plating	Tin-plated

### Mechanical Data

Solder pin length	4 mm
Solder pin dimensions	0.7 x 0.7 mm
Drilled hole diameter (tolerance)	1.1 <sup>(±0.1)</sup> mm

### Environmental Requirements

Limit temperature range	-60 ... +105 °C
-------------------------	-----------------

Ferrule [Page 847](#)

Marking [Page 834](#)

Tools [Page 838](#)

Commoning strips [Page 248](#)

Additional information, see "Technical Section"

Approvals and corresponding ratings, visit [www.wago.com](http://www.wago.com)

## PCB Terminal Block ▶ 236 Series

CAGE CLAMP® ▶ Actuation type: Operating tool ▶ 2.5 mm<sup>2</sup> ▶ Modular Terminal Block ▶ Pin spacing: 10/10.16 mm / 0.394/0.4 inch

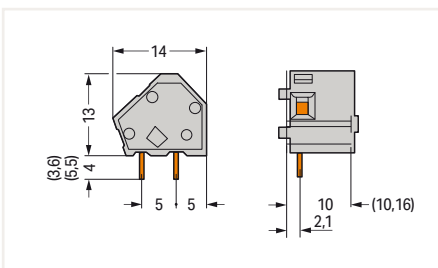
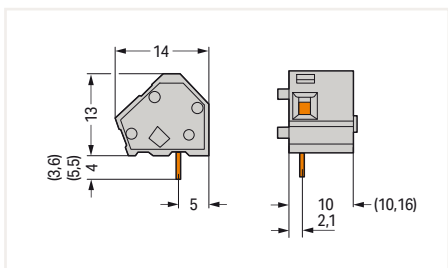
Number of solder pins per potential: 1

Number of solder pins per potential: 2



Color	Item No.	PU (SPU)
gray	236-301	300 (100)
blue	236-734	300 (100)
orange	236-736	300 (100)
black	236-856	300 (100)
light gray	236-733	300 (100)
green	236-735	300 (100)
light green	236-737	300 (100)
dark gray	236-732	300 (100)

Color	Item No.	PU (SPU)
gray	236-601	300 (100)
blue	236-764	300 (100)
orange	236-766	300 (100)
black	236-853	300 (100)
light gray	236-763	300 (100)
green	236-765	300 (100)
light green	236-767	300 (100)
dark gray	236-762	300 (100)



Accessories; for all products on this page



End plate; 1 mm; snap-on type

Color	Item No.	PU (SPU)
gray	236-100	2000 (100)
blue	236-400	2000 (100)
orange	236-600	2000 (100)
black	236-850	2000 (100)
light gray	236-300	2000 (100)
green	236-500	2000 (100)
light green	236-700	2000 (100)
red	236-800	2000 (100)
dark gray	236-200	2000 (100)

PU = Packaging Unit; SPU = Subpackaging Unit; Dimensions in mm

Other variants can be requested via the WAGO sales department or, if necessary, configured at <https://configurator.wago.com/>:

- Versions for Ex e II and Ex i
- Solder pin length: 3.6 mm
- Solder pin length: 5.5 mm

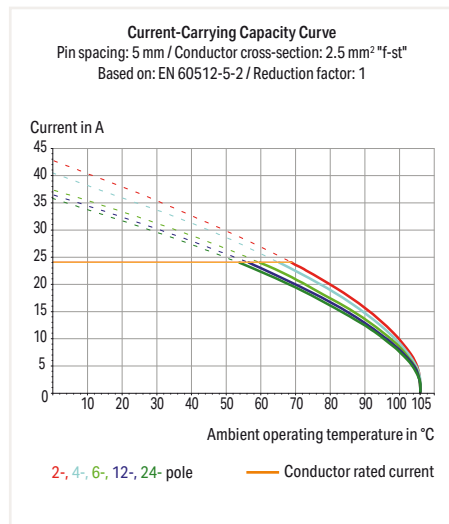
## PCB Terminal Block ▶ 236 Series

CAGE CLAMP® ▶ Actuation type: Operating tool ▶ 2.5 mm<sup>2</sup> ▶ Terminal strip ▶ Pin spacing: 5/5.08 mm / 0.197/0.2 inch ▶ Color: gray

1



- PCB terminal strips with CAGE CLAMP® connection and screwdriver actuation parallel or perpendicular to conductor entry
- Versions with Ex approval
- Mixed-color PCB terminal strips from factory
- Operating tools for factory wiring
- 45° conductor entry angle permits a wide range of applications and wiring options
- Set to metric or inch pin spacing by compressing PCB terminal strips or pulling them apart



### Electrical Data

Pin spacing	5/5.08 mm / 0.197/0.2 inch		
Ratings per	IEC/EN 60664-1		
Overvoltage category	III	III	II
Pollution degree	3	2	2
Rated voltage	250 V	320 V	630 V
Rated impulse voltage	4 kV	4 kV	4 kV
Rated current	24 A	24 A	24 A
Approvals per	UL 1059		
Use Group	B	C	D
Rated voltage	300 V	-	300 V
Rated current	15 A	-	10 A
Approvals per	CSA		
Use Group	B	C	D
Rated voltage	300 V	-	300 V
Rated current	15 A	-	10 A

### Connection Data

Connection technology	CAGE CLAMP®
Strip length	5 ... 6 mm / 0.2 ... 0.24 inch
Conductor entry angle to the PCB	45°
Solid conductor	0.08 ... 2.5 mm <sup>2</sup> / 28 ... 12 AWG
Fine-stranded conductor	0.08 ... 2.5 mm <sup>2</sup> / 28 ... 12 AWG
Fine-stranded conductor with ferrule with plastic collar	0.25 ... 1.5 mm <sup>2</sup>
Fine-stranded conductor with ferrule without plastic collar	0.25 ... 1.5 mm <sup>2</sup>
Note (conductor cross-section)	12 AWG: THHN, THWN

### Material Data

Material group	I
Insulating material	Polyamide 66 (PA 66)
Flammability class per UL94	V0
Clamping spring material	Chrome nickel spring steel (CrNi)
Contact material	Electrolytic copper (Ecu)
Contact plating	Tin-plated

### Mechanical Data

Solder pin arrangement	Over the entire terminal strip, in line
Solder pin length	4 mm
Solder pin dimensions	0.7 x 0.7 mm
Drilled hole diameter (tolerance)	1.1 <sup>(+0.1)</sup> mm

### Environmental Requirements

Limit temperature range	-60 ... +105 °C
-------------------------	-----------------

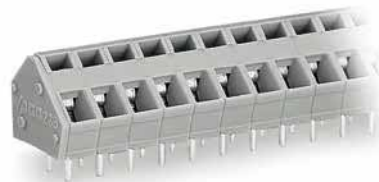
Ferrule	Page 847
Marking	Page 833
Testing and measuring	Page 254
Tools	Page 838
Commoning strips	Page 248
Additional information, see "Technical Section"	
Approvals and corresponding ratings, visit <a href="http://www.wago.com">www.wago.com</a>	

## PCB Terminal Block ▶ 236 Series

CAGE CLAMP® ▶ Actuation type: Operating tool ▶ 2.5 mm<sup>2</sup> ▶ Terminal strip ▶ Pin spacing: 5/5.08 mm / 0.197/0.2 inch ▶ Color: gray

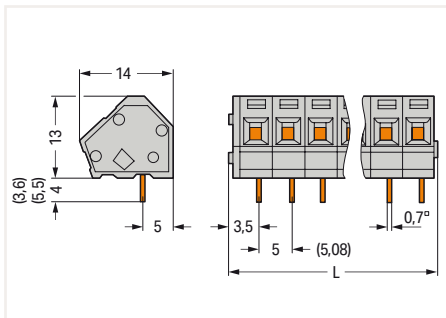
Number of solder pins per potential: 1

Number of solder pins per potential: 2

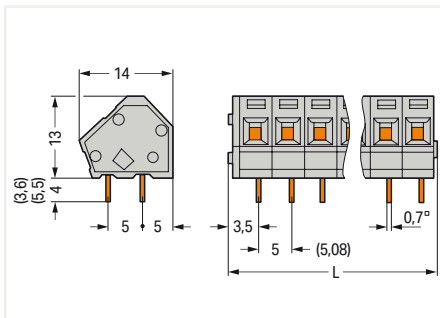


Pole No.	Item No.	PU (SPU)
2	236-102	420 (105)
3	236-103	280 (70)
4	236-104	220 (55)
6	236-106	140 (35)
8	236-108	100 (25)
12	236-112	80 (20)
16	236-116	60 (15)
24	236-124	40 (10)
36	236-136	20 (5)
48	236-148	20 (5)

Pole No.	Item No.	PU (SPU)
2	236-402	420 (105)
3	236-403	280 (70)
4	236-404	220 (55)
6	236-406	140 (35)
8	236-408	100 (25)
12	236-412	80 (20)
16	236-416	60 (15)
24	236-424	40 (10)
36	236-436	20 (5)
48	236-448	20 (5)



$L = (\text{pole no.} \times \text{pin spacing}) + 2.3 \text{ mm}$



$L = (\text{pole no.} \times \text{pin spacing}) + 2.3 \text{ mm}$

PU = Packaging Unit; SPU = Subpackaging Unit; Dimensions in mm

Other variants can be requested via the WAGO sales department or, if necessary, configured at <https://configurator.wago.com/>:

- Other pole numbers
- Versions for Ex e II and Ex i
- Other colors
- Mixed-color terminal strips
- Direct marking
- Solder pin length: 3.6 mm
- Solder pin length: 5.5 mm

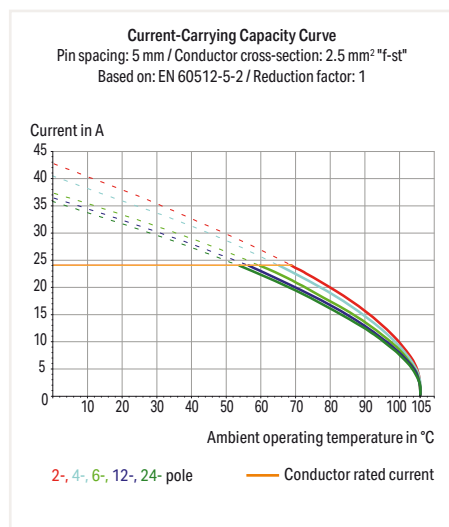
## PCB Terminal Block ▶ 236 Series

CAGE CLAMP® ▶ Actuation type: Operating tool ▶ 2.5 mm<sup>2</sup> ▶ Terminal strip ▶ Pin spacing: 7.5/7.62 mm / 0.295/0.3 inch ▶ Color: gray

1



- PCB terminal strips with CAGE CLAMP® connection and screwdriver actuation parallel or perpendicular to conductor entry
- Versions with Ex approval
- Mixed-color PCB terminal strips from factory
- Operating tools for factory wiring
- 45° conductor entry angle permits a wide range of applications and wiring options
- Set to metric or inch pin spacing by compressing PCB terminal strips or pulling them apart



### Electrical Data

Pin spacing	7.5/7.62 mm / 0.295/0.3 inch		
Ratings per	IEC/EN 60664-1		
Overvoltage category	III	III	II
Pollution degree	3	2	2
Rated voltage	400 V	630 V	1000 V
Rated impulse voltage	6 kV	6 kV	6 kV
Rated current	24 A	24 A	24 A
Approvals per	UL 1059		
Use Group	B	C	D
Rated voltage	300 V	-	300 V
Rated current	15 A	-	10 A
Approvals per	CSA		
Use Group	B	C	D
Rated voltage	300 V	-	300 V
Rated current	15 A	-	10 A

### Connection Data

Connection technology	CAGE CLAMP®
Strip length	5 ... 6 mm / 0.2 ... 0.24 inch
Conductor entry angle to the PCB	45°
Solid conductor	0.08 ... 2.5 mm <sup>2</sup> / 28 ... 12 AWG
Fine-stranded conductor	0.08 ... 2.5 mm <sup>2</sup> / 28 ... 12 AWG
Fine-stranded conductor with ferrule with plastic collar	0.25 ... 1.5 mm <sup>2</sup>
Fine-stranded conductor with ferrule without plastic collar	0.25 ... 1.5 mm <sup>2</sup>
Note (conductor cross-section)	12 AWG: THHN, THWN

### Material Data

Material group	I
Insulating material	Polyamide 66 (PA 66)
Flammability class per UL94	V0
Clamping spring material	Chrome nickel spring steel (CrNi)
Contact material	Electrolytic copper (Ecu)
Contact plating	Tin-plated

### Mechanical Data

Solder pin arrangement	Over the entire terminal strip, in line
Solder pin length	4 mm
Solder pin dimensions	0.7 x 0.7 mm
Drilled hole diameter (tolerance)	1.1 <sup>(+0.1)</sup> mm

### Environmental Requirements

Limit temperature range	-60 ... +105 °C
-------------------------	-----------------

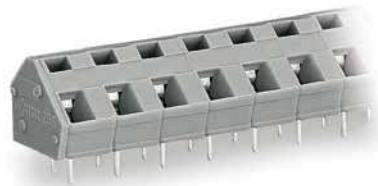
Ferrule	Page 847
Marking	Page 833
Testing and measuring	Page 254
Tools	Page 838
Commoning strips	Page 248
Additional information, see "Technical Section"	
Approvals and corresponding ratings, visit <a href="http://www.wago.com">www.wago.com</a>	

## PCB Terminal Block ▶ 236 Series

CAGE CLAMP® ▶ Actuation type: Operating tool ▶ 2.5 mm<sup>2</sup> ▶ Terminal strip ▶ Pin spacing: 7.5/7.62 mm / 0.295/0.3 inch ▶ Color: gray

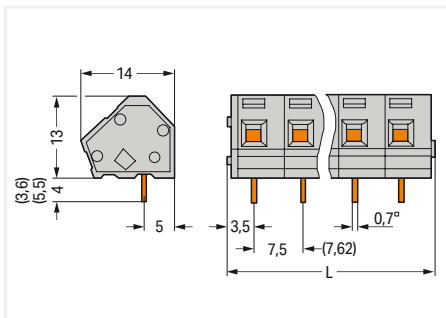
Number of solder pins per potential: 1

Number of solder pins per potential: 2

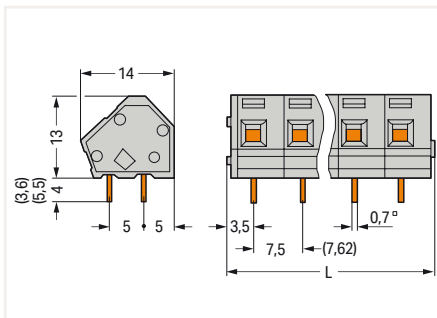


Pole No.	Item No.	PU (SPU)
2	236-202	280 (70)
3	236-203	200 (50)
4	236-204	140 (35)
6	236-206	100 (25)
8	236-208	80 (20)
12	236-212	40 (10)
16	236-216	40 (10)
24	236-224	20 (5)

Pole No.	Item No.	PU (SPU)
2	236-502	280 (70)
3	236-503	200 (50)
4	236-504	140 (35)
6	236-506	100 (25)
8	236-508	80 (20)
12	236-512	40 (10)
16	236-516	40 (10)
24	236-524	20 (5)



$L = (\text{pole no.} \times \text{pin spacing}) + 2.3 \text{ mm}$



$L = (\text{pole no.} \times \text{pin spacing}) + 2.3 \text{ mm}$

PU = Packaging Unit; SPU = Subpackaging Unit; Dimensions in mm

Other variants can be requested via the WAGO sales department or, if necessary, configured at <https://configurator.wago.com/>:

- Other pole numbers
- Versions for Ex e II and Ex i
- Other colors
- Mixed-color terminal strips
- Direct marking
- Solder pin length: 3.6 mm
- Solder pin length: 5.5 mm

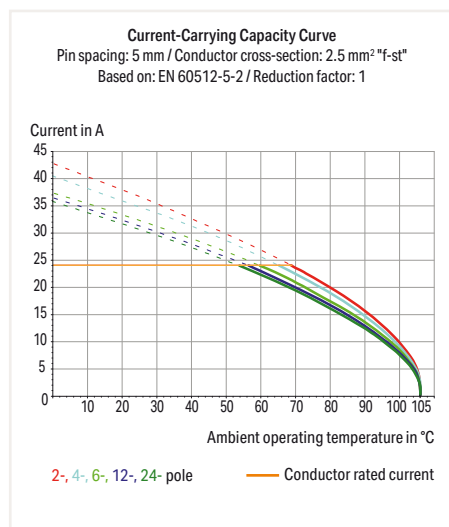
## PCB Terminal Block ▶ 236 Series

CAGE CLAMP® ▶ Actuation type: Operating tool ▶ 2.5 mm<sup>2</sup> ▶ Terminal strip ▶ Pin spacing: 10/10.16 mm / 0.394/0.4 inch ▶ Color: gray

1



- PCB terminal strips with CAGE CLAMP® connection and screwdriver actuation parallel or perpendicular to conductor entry
- Versions with Ex approval
- Mixed-color PCB terminal strips from factory
- Operating tools for factory wiring
- 45° conductor entry angle permits a wide range of applications and wiring options
- Set to metric or inch pin spacing by compressing PCB terminal strips or pulling them apart



### Electrical Data

Pin spacing	10/10.16 mm / 0.394/0.4 inch		
Ratings per	IEC/EN 60664-1		
Overvoltage category	III	III	II
Pollution degree	3	2	2
Rated voltage	630 V	1000 V	1000 V
Rated impulse voltage	8 kV	8 kV	8 kV
Rated current	24 A	24 A	24 A
Approvals per	UL 1059		
Use Group	B	C	D
Rated voltage	300 V	-	300 V
Rated current	15 A	-	10 A
Approvals per	CSA		
Use Group	B	C	D
Rated voltage	300 V	-	300 V
Rated current	15 A	-	10 A

### Connection Data

Connection technology	CAGE CLAMP®
Strip length	5 ... 6 mm / 0.2 ... 0.24 inch
Conductor entry angle to the PCB	45°
Solid conductor	0.08 ... 2.5 mm <sup>2</sup> / 28 ... 12 AWG
Fine-stranded conductor	0.08 ... 2.5 mm <sup>2</sup> / 28 ... 12 AWG
Fine-stranded conductor with ferrule with plastic collar	0.25 ... 1.5 mm <sup>2</sup>
Fine-stranded conductor with ferrule without plastic collar	0.25 ... 1.5 mm <sup>2</sup>
Note (conductor cross-section)	12 AWG: THHN, THWN

### Material Data

Material group	I
Insulating material	Polyamide 66 (PA 66)
Flammability class per UL94	V0
Clamping spring material	Chrome nickel spring steel (CrNi)
Contact material	Electrolytic copper (Ecu)
Contact plating	Tin-plated

### Mechanical Data

Solder pin arrangement	Over the entire terminal strip, in line
Solder pin length	4 mm
Solder pin dimensions	0.7 x 0.7 mm
Drilled hole diameter (tolerance)	1.1 <sup>(+0.1)</sup> mm

### Environmental Requirements

Limit temperature range	-60 ... +105 °C
-------------------------	-----------------

Ferrule Page 847

Marking Page 834

Tools Page 838

Commoning strips Page 248

Additional information, see "Technical Section"

Approvals and corresponding ratings, visit [www.wago.com](http://www.wago.com)



## PCB Terminal Block ▶ 236 Series

CAGE CLAMP® ▶ Actuation type: Operating tool ▶ 2.5 mm<sup>2</sup> ▶ Terminal strip ▶ Pin spacing: 10/10.16 mm / 0.394/0.4 inch ▶ Color: gray

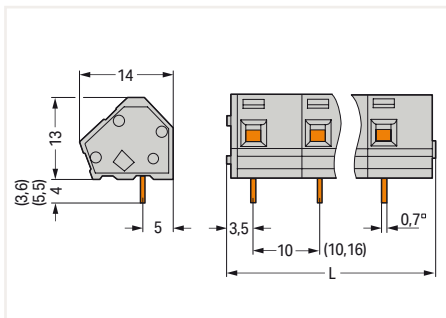
Number of solder pins per potential: 1

Number of solder pins per potential: 2

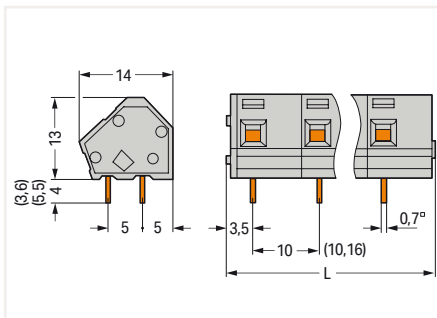


Pole No.	Item No.	PU (SPU)
2	236-302	200 (50)
3	236-303	140 (35)
4	236-304	100 (25)
6	236-306	80 (20)
8	236-308	60 (15)
12	236-312	40 (10)
16	236-316	20 (5)
24	236-324	20 (5)

Pole No.	Item No.	PU (SPU)
2	236-602	200 (50)
3	236-603	140 (35)
4	236-604	100 (25)
6	236-606	80 (20)
8	236-608	60 (15)
12	236-612	40 (10)
16	236-616	20 (5)
24	236-624	20 (5)



$L = (\text{pole no.} \times \text{pin spacing}) + 2.3 \text{ mm}$



$L = (\text{pole no.} \times \text{pin spacing}) + 2.3 \text{ mm}$

PU = Packaging Unit; SPU = Subpackaging Unit; Dimensions in mm

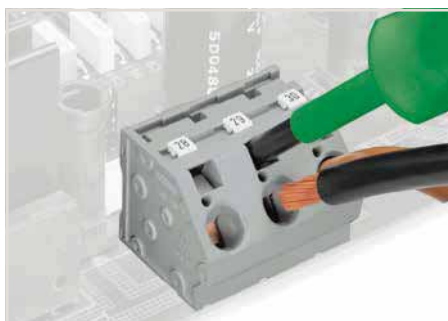
Other variants can be requested via the WAGO sales department or, if necessary, configured at <https://configurator.wago.com/>:

- Other pole numbers
- Versions for Ex e II and Ex i
- Other colors
- Mixed-color terminal strips
- Direct marking
- Solder pin length: 3.6 mm
- Solder pin length: 5.5 mm

# 745 Series

## Description and Installation

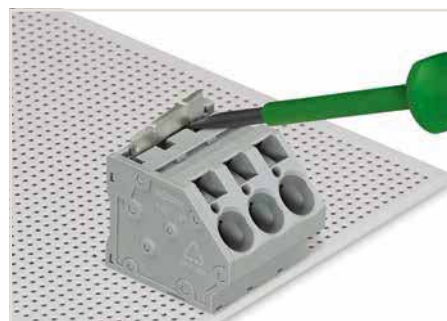
1



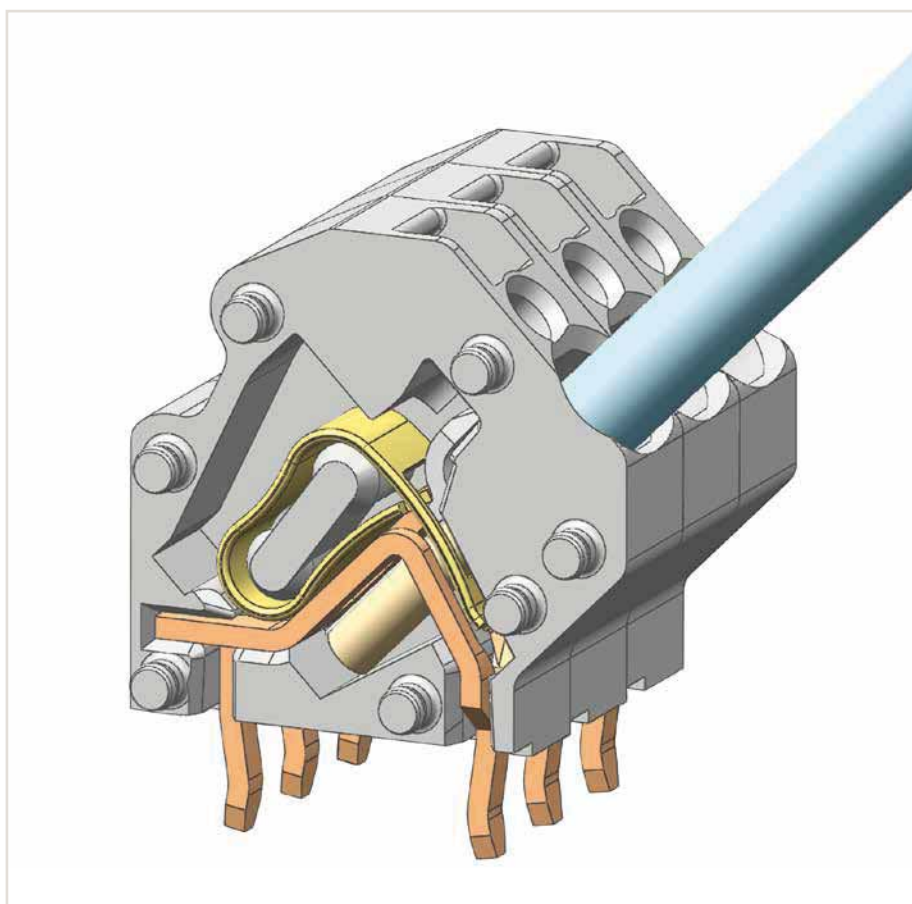
Inserting/removing a conductor via 5.5 mm screwdriver – 745 Series, 16 mm<sup>2</sup>.



To insert a comb-style jumper bar, push it down using a screwdriver until it hits the backstop – 745 Series.



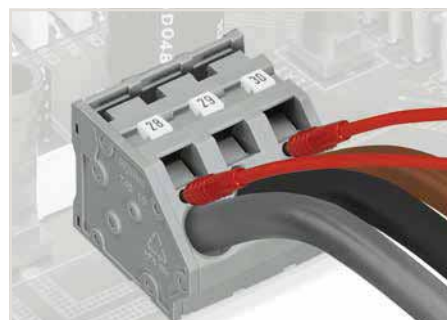
To remove the comb-style jumper bar, lift it up using a screwdriver – 745 Series.



745 Series



Marking via miniature WSB and WMB markers or factory direct marking – 745 Series.



Testing with test plug – 745 Series.



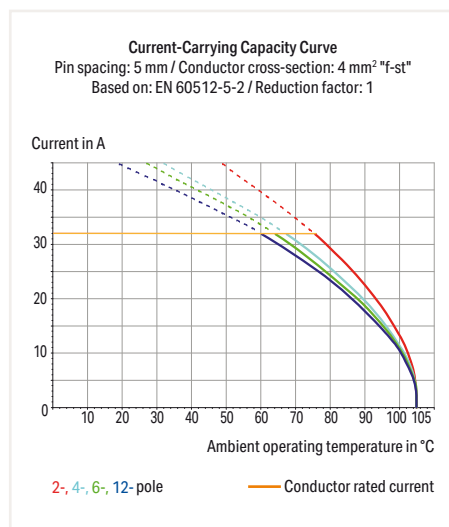
## PCB Terminal Block ▶ 745 Series

CAGE CLAMP® ▶ Actuation type: Operating tool ▶ 4 mm<sup>2</sup> ▶ Modular Terminal Block ▶ Pin spacing: 5 mm (0.197 inch)

1



- Modular PCB terminal blocks with screwdriver-actuated CAGE CLAMP® for custom PCB terminal strip assemblies
- Versions with Ex approval
- Spacers for higher voltage applications
- Double solder pins for high mechanical stability
- Space-efficient configuration of terminal strips placed behind each other
- Integrated testing tap



### Electrical Data

Pin spacing	5 mm (0.197 inch)		
Ratings per	IEC/EN 60664-1		
Overvoltage category	III	III	II
Pollution degree	3	2	2
Rated voltage	320 V	320 V	630 V
Rated impulse voltage	4 kV	4 kV	4 kV
Rated current	32 A	32 A	32 A
Approvals per	UL 1059		
Use Group	B	C	D
Rated voltage	300 V	-	300 V
Rated current	20 A	-	10 A
Approvals per	CSA		
Use Group	B	C	D
Rated voltage	300 V	-	300 V
Rated current	20 A	-	10 A

### Connection Data

Connection technology	CAGE CLAMP®
Strip length	8 ... 9 mm / 0.31 ... 0.35 inch
Conductor entry angle to the PCB	45°
Solid conductor	0.08 ... 4 mm <sup>2</sup> / 28 ... 12 AWG
Fine-stranded conductor	0.08 ... 4 mm <sup>2</sup> / 28 ... 12 AWG
Fine-stranded conductor with ferrule with plastic collar	0.25 ... 2.5 mm <sup>2</sup>
Fine-stranded conductor with ferrule without plastic collar	0.25 ... 2.5 mm <sup>2</sup>

### Material Data

Material group	I
Insulating material	Polyamide 66 (PA 66)
Flammability class per UL94	V0
Clamping spring material	Chrome nickel spring steel (CrNi)
Contact material	Electrolytic copper (Ecu)
Contact plating	Tin-plated

### Mechanical Data

Solder pin arrangement	within the terminal block, in line
Solder pin length	4 mm
Solder pin dimensions	0.8 x 1.2 mm
Drilled hole diameter (tolerance)	1.5 <sup>(+0.1)</sup> mm

### Environmental Requirements

Limit temperature range	-60 ... +105 °C
-------------------------	-----------------

Ferrule Page 847

Marking Page 833

Testing and measuring Page 854

Tools Page 838

Additional information, see "Technical Section"

Approvals and corresponding ratings, visit [www.wago.com](http://www.wago.com)

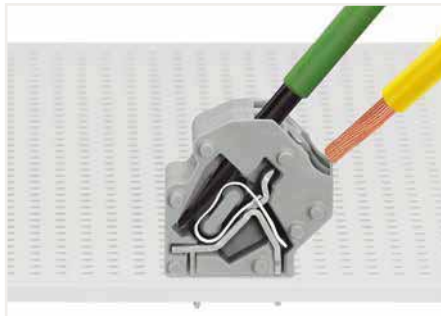
## PCB Terminal Block ▶ 745 Series

CAGE CLAMP® ▶ Actuation type: Operating tool ▶ 4 mm<sup>2</sup> ▶ Modular Terminal Block ▶ Pin spacing: 5 mm (0.197 inch)

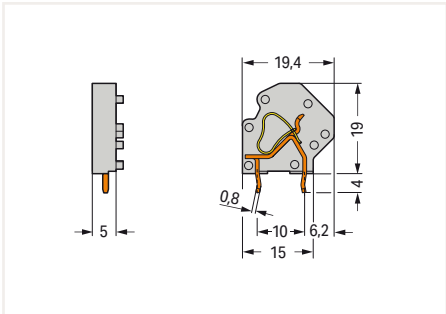


Saving space: two PCB terminal strips arranged in a row.

Color	Item No.	PU (SPU)
gray	745-3801	200 (50)
blue	745-3804	200 (50)
light gray	745-3803	200 (50)
light green	745-3808	200 (50)



Inserting a conductor via 3.5 mm screwdriver.



Testing with 2 mm Ø test plug.

### Accessories; for all products on this page



End plate; 1.5 mm; snap-on type		
Color	Item No.	PU (SPU)
gray	745-3100	1000 (100)



intermediate plate; extends pin spacing; Pin spacing: 2.5 mm (0.098 inch)		
Color	Item No.	PU (SPU)
gray	745-3138	200 (50)

PU = Packaging Unit; SPU = Subpackaging Unit; Dimensions in mm

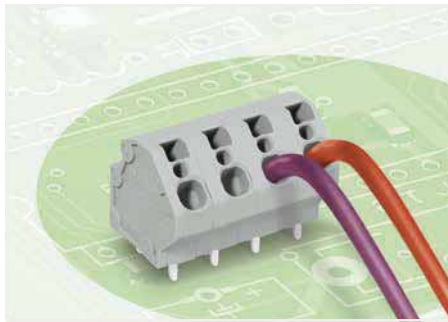
Other variants can be requested via the WAGO sales department or, if necessary, configured at <https://configurator.wago.com/>:

- Versions for Ex e II and Ex i
- Other colors

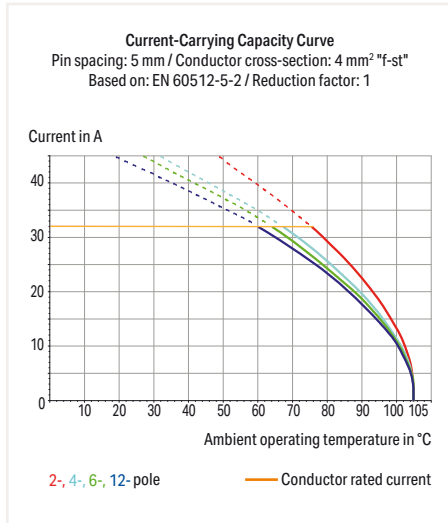
# PCB Terminal Block ▶ 745 Series

## CAGE CLAMP® ▶ Actuation type: Operating tool ▶ 4 mm<sup>2</sup> ▶ Terminal strip ▶ Color: gray

1



- PCB terminal strips with screwdriver-actuated CAGE CLAMP®
- Versions with Ex approval
- Mixed-color PCB terminal strips from factory
- Space-saving configuration of terminal strips when placed behind each other
- Custom color combinations
- Double solder pins for high mechanical stability
- Integrated testing tap



Electrical Data									
Pin spacing	5 mm (0.197 inch)			7.5 mm (0.295 inch)			10 mm (0.394 inch)		
Ratings per	IEC/EN 60664-1								
Overvoltage category	III	III	II	III	III	II	III	III	II
Pollution degree	3	2	2	3	2	2	3	2	2
Rated voltage	320 V	320 V	630 V	500 V	630 V	1000 V	800 V	1000 V	1000 V
Rated impulse voltage	4 kV	4 kV	4 kV	6 kV	6 kV	6 kV	8 kV	8 kV	8 kV
Rated current	32 A	32 A	32 A	32 A	32 A	32 A	32 A	32 A	32 A
Approvals per	UL 1059			UL 1059			UL 1059		
Use Group	B	C	D	B	C	D	B	C	D
Rated voltage	300 V	-	300 V	300 V	150 V	300 V	300 V	300 V	600 V
Rated current	20 A	-	10 A	20 A	20 A	10 A	20 A	20 A	5 A
Approvals per	CSA			CSA			CSA		
Use Group	B	C	D	B	C	D	B	C	D
Rated voltage	300 V	-	300 V	300 V	150 V	300 V	300 V	300 V	600 V
Rated current	20 A	-	10 A	20 A	20 A	10 A	20 A	20 A	5 A

Electrical Data									
Pin spacing	12.5 mm (0.492 inch)								
Ratings per	IEC/EN 60664-1								
Overvoltage category	III	III	II						
Pollution degree	3	2	2						
Rated voltage	1000 V	1000 V	1000 V						
Rated impulse voltage	8 kV	8 kV	8 kV						
Rated current	32 A	32 A	32 A						
Approvals per	UL 1059								
Use Group	B	C	D						
Rated voltage	600 V	600 V	-						
Rated current	20 A	20 A	-						
Approvals per	CSA								
Use Group	B	C	D						
Rated voltage	600 V	600 V	-						
Rated current	20 A	20 A	-						

Connection Data	
Connection technology	CAGE CLAMP®
Strip length	8 ... 9 mm / 0.31 ... 0.35 inch
Conductor entry angle to the PCB	45°
Solid conductor	0.08 ... 4 mm <sup>2</sup> / 28 ... 12 AWG
Fine-stranded conductor	0.08 ... 4 mm <sup>2</sup> / 28 ... 12 AWG
Fine-stranded conductor with ferrule with plastic collar	0.25 ... 2.5 mm <sup>2</sup>
Fine-stranded conductor with ferrule without plastic collar	0.25 ... 2.5 mm <sup>2</sup>

Material Data	
Material group	I
Insulating material	Polyamide 66 (PA 66)
Flammability class per UL94	V0
Clamping spring material	Chrome nickel spring steel (CrNi)
Contact material	Electrolytic copper (Ecu)
Contact plating	Tin-plated

Ferrule	Page 847
Marking	Page 833
Testing and measuring	Page 854
Tools	Page 838
Additional information, see "Technical Section"	
Approvals and corresponding ratings, visit <a href="http://www.wago.com">www.wago.com</a>	

**PCB Terminal Block ▶ 745 Series**CAGE CLAMP® ▶ Actuation type: Operating tool ▶ 4 mm<sup>2</sup> ▶ Terminal strip ▶ Color: gray

1

**Mechanical Data**

Solder pin arrangement	Over the entire terminal strip, in line
Solder pin length	4 mm
Solder pin dimensions	0.8 x 1.2 mm
Drilled hole diameter (tolerance)	1.5 <sup>(+0.1)</sup> mm

**Environmental Requirements**

Limit temperature range	-60 ... +105 °C
-------------------------	-----------------

# PCB Terminal Block ▶ 745 Series

## CAGE CLAMP® ▶ Actuation type: Operating tool ▶ 4 mm<sup>2</sup> ▶ Terminal strip ▶ Color: gray

Pin spacing: 5 mm (0.197 inch)

Pin spacing: 7.5 mm (0.295 inch)

Pin spacing: 10 mm (0.394 inch)

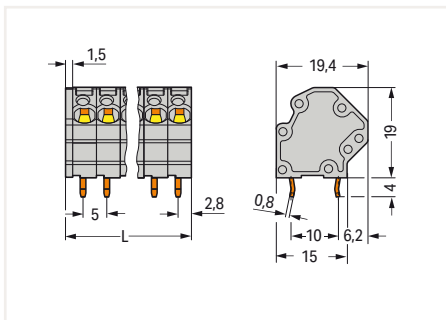
1



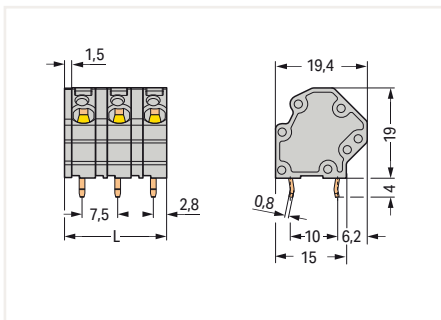
Pole No.	Item No.	PU
2	745-3102	276
3	745-3103	192
4	745-3104	144
5	745-3105	120
6	745-3106	96
7	745-3107	84
8	745-3108	72
9	745-3109	60
10	745-3110	60
11	745-3111	48
12	745-3112	48

Pole No.	Item No.	PU
2	745-3152	228
3	745-3153	132
4	745-3154	108
5	745-3155	84
6	745-3156	72
7	745-3157	60
8	745-3158	48
9	745-3159	48
10	745-3160	36
11	745-3161	30
12	745-3162	30

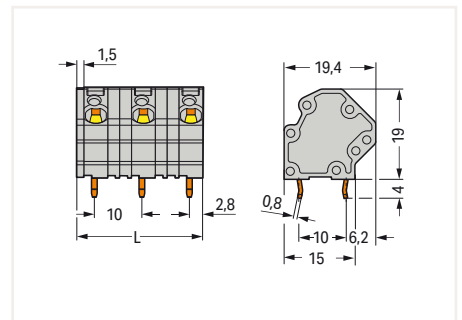
Pole No.	Item No.	PU (SPU)
2	745-3202	192
3	745-3203	120
4	745-3204	84
5	745-3205	60
6	745-3206	48
7	745-3207	48
8	745-3208	36
9	745-3209	36
10	745-3210	24
11	745-3211	12
12	745-3212	24 (12)



L = (pole no. x pin spacing) + 1.5 mm



L = (pole no. - 1) x pin spacing + 5 mm + 1.5 mm



L = (pole no. - 1) x pin spacing + 5 mm + 1.5 mm

PU = Packaging Unit; SPU = Subpackaging Unit; Dimensions in mm

Other variants can be requested via the WAGO sales department or, if necessary, configured at <https://configurator.wago.com/>:

- Other pole numbers
- Versions for Ex e II and Ex i
- Other colors
- Mixed-color terminal strips
- Direct marking



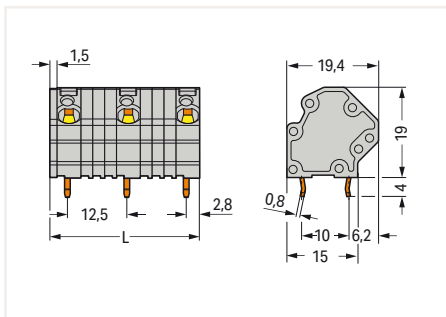
## PCB Terminal Block ▶ 745 Series

CAGE CLAMP® ▶ Actuation type: Operating tool ▶ 4 mm<sup>2</sup> ▶ Terminal strip ▶ Color: gray

Pin spacing: 12.5 mm (0.492 inch)



Pole No.	Item No.	PU (SPU)
2	745-3252	168
3	745-3253	96
4	745-3254	72
5	745-3255	40
6	745-3256	36
7	745-3257	36
8	745-3258	24 (12)
9	745-3259	24
10	745-3260	24
11	745-3261	12
12	745-3262	12



$L = (\text{pole no.} - 1) \times \text{pin spacing} + 5 \text{ mm} + 1.5 \text{ mm}$

PU = Packaging Unit; SPU = Subpackaging Unit; Dimensions in mm

Other variants can be requested via the WAGO sales department or, if necessary, configured at <https://configurator.wago.com/>:

- Other pole numbers
- Versions for Ex e II and Ex i
- Other colors
- Mixed-color terminal strips
- Direct marking

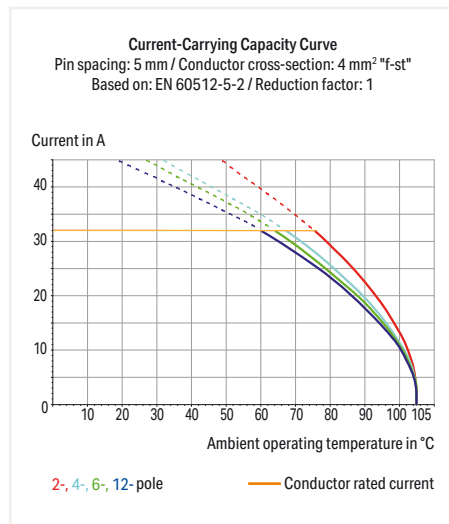
## PCB Terminal Block ▶ 745 Series

### CAGE CLAMP® ▶ Actuation type: Operating tool ▶ 4 mm<sup>2</sup> ▶ Number of jumper slots: 1 ▶ Modular terminal block

1



- Modular PCB terminal blocks with screwdriver-actuated CAGE CLAMP® for custom PCB terminal strip assemblies
- Versions with Ex approval
- Common and distribute potentials via comb-style jumper bars
- Double solder pins for high mechanical stability
- Integrated testing tap
- Marker slot for Mini-WSB markers



#### Electrical Data

Pin spacing	5 mm (0.197 inch)			7.5 mm (0.295 inch)			10 mm (0.394 inch)		
Ratings per	IEC/EN 60664-1								
Overvoltage category	III	III	II	III	III	II	III	III	II
Pollution degree	3	2	2	3	2	2	3	2	2
Rated voltage	320 V	320 V	630 V	500 V	630 V	1000 V	630 V	1000 V	1000 V
Rated impulse voltage	4 kV	4 kV	4 kV	6 kV	6 kV	6 kV	8 kV	8 kV	8 kV
Rated current	32 A	32 A	32 A	32 A	32 A	32 A	32 A	32 A	32 A
Approvals per	UL 1059			UL 1059			UL 1059		
Use Group	B	C	D	B	C	D	B	C	D
Rated voltage	300 V	-	300 V	300 V	150 V	300 V	300 V	150 V	300 V
Rated current	20 A	-	10 A	20 A	20 A	10 A	20 A	20 A	10 A
Approvals per	CSA			CSA			CSA		
Use Group	B	C	D	B	C	D	B	C	D
Rated voltage	300 V	-	300 V	300 V	150 V	300 V	300 V	150 V	300 V
Rated current	20 A	-	10 A	20 A	20 A	10 A	20 A	20 A	10 A

#### Connection Data

Connection technology	CAGE CLAMP®
Strip length	8 ... 9 mm / 0.31 ... 0.35 inch
Conductor entry angle to the PCB	45°
Solid conductor	0.08 ... 4 mm <sup>2</sup> / 28 ... 12 AWG
Fine-stranded conductor	0.08 ... 4 mm <sup>2</sup> / 28 ... 12 AWG
Fine-stranded conductor with ferrule with plastic collar	0.25 ... 2.5 mm <sup>2</sup>
Fine-stranded conductor with ferrule without plastic collar	0.25 ... 2.5 mm <sup>2</sup>

#### Material Data

Material group	I
Insulating material	Polyamide 66 (PA 66)
Flammability class per UL94	V0
Clamping spring material	Chrome nickel spring steel (CrNi)
Contact material	Electrolytic copper (Ecu)
Contact plating	Tin-plated

#### Mechanical Data

Solder pin arrangement	within the terminal block, in line
Solder pin length	4 mm
Solder pin dimensions	0.8 x 1.2 mm
Drilled hole diameter (tolerance)	1.5 <sup>(+0.1)</sup> mm

#### Environmental Requirements

Limit temperature range	-60 ... +105 °C
-------------------------	-----------------

Ferrule [Page 847](#)

Jumper [Page 253](#)

Marking [Page 830](#)

Testing and measuring [Page 854](#)

Tools [Page 838](#)

Additional information, see "Technical Section"

Approvals and corresponding ratings, visit [www.wago.com](http://www.wago.com)

# PCB Terminal Block ▶ 745 Series

## CAGE CLAMP® ▶ Actuation type: Operating tool ▶ 4 mm<sup>2</sup> ▶ Number of jumper slots: 1 ▶ Modular terminal block

Pin spacing: 5 mm (0.197 inch)

Pin spacing: 7.5 mm (0.295 inch)

Pin spacing: 10 mm (0.394 inch)

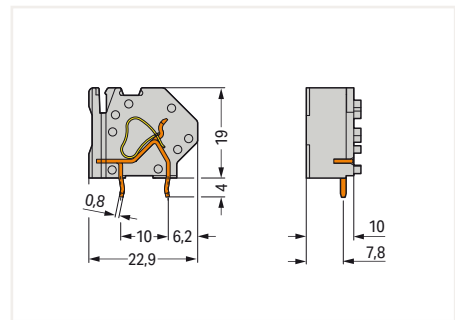
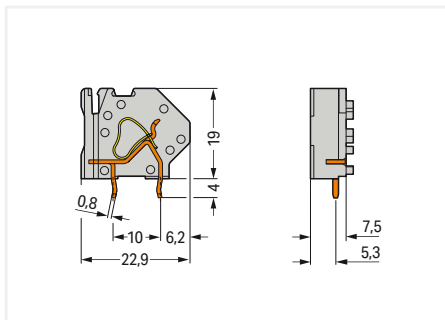
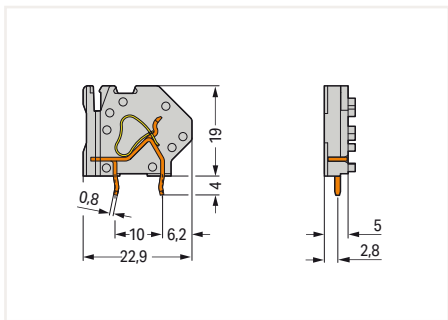
1



Color	Item No.	PU (SPU)
● gray	745-801	200 (50)
● blue	745-804	200 (50)
● light gray	745-803	200 (50)
● green-yellow	745-807	200 (50)
● light green	745-808	200 (50)

Color	Item No.	PU (SPU)
● gray	745-811	200 (50)
● blue	745-814	200 (50)
● light gray	745-813	200 (50)
● green-yellow	745-817	200 (50)
● light green	745-818	200 (50)

Color	Item No.	PU (SPU)
● gray	745-821	200 (50)
● blue	745-824	200 (50)
● light gray	745-823	200 (50)
● green-yellow	745-827	200 (50)
● light green	745-828	200 (50)



### Accessories; for all products on this page



End plate; 1.5 mm; snap-on type		
Color	Item No.	PU (SPU)
● gray	745-100	1000 (100)

End plate; 7.9 mm; Screw mounting		
Color	Item No.	PU (SPU)
● gray	745-140	500 (100)

End plate; 7.3 mm; Screw mounting		
Color	Item No.	PU (SPU)
● gray	745-145	500 (100)

PU = Packaging Unit; SPU = Subpackaging Unit; Dimensions in mm

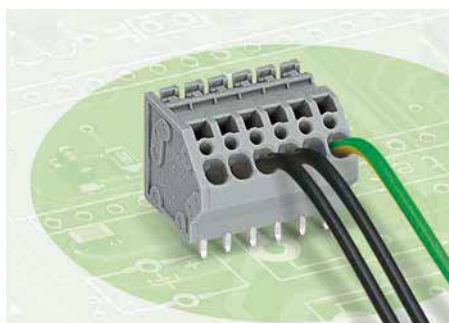
Other variants can be requested via the WAGO sales department or, if necessary, configured at <https://configurator.wago.com/>:

- Versions for Ex e II and Ex i
- Other colors

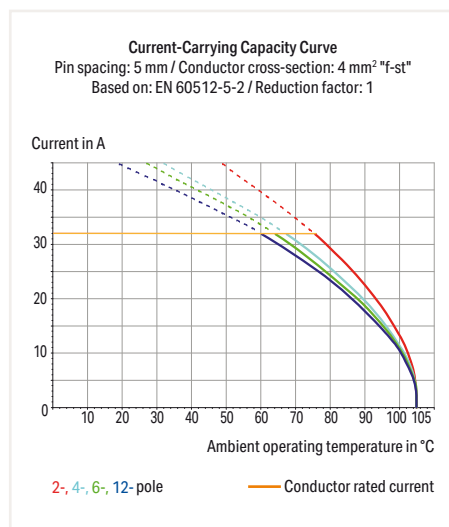
## PCB Terminal Block ▶ 745 Series

CAGE CLAMP® ▶ Actuation type: Operating tool ▶ 4 mm<sup>2</sup> ▶ Number of jumper slots: 1 ▶ Terminal strip ▶ Color: gray

1



- PCB terminal strips with screwdriver-actuated CAGE CLAMP®
- Versions with Ex approval
- Common and distribute potentials via comb-style jumper bars
- Double solder pins for high mechanical stability
- Custom color combinations
- Integrated testing tap
- Marker slot for Mini-WSB markers



Electrical Data									
Pin spacing	5 mm (0.197 inch)			7.5 mm (0.295 inch)			10 mm (0.394 inch)		
Ratings per	IEC/EN 60664-1			IEC/EN 60664-1			IEC/EN 60664-1		
Overvoltage category	III	III	II	III	III	II	III	III	II
Pollution degree	3	2	2	3	2	2	3	2	2
Rated voltage	320 V	320 V	630 V	500 V	630 V	1000 V	630 V	1000 V	1000 V
Rated impulse voltage	4 kV	4 kV	4 kV	6 kV	6 kV	6 kV	8 kV	8 kV	8 kV
Rated current	32 A	32 A	32 A	32 A	32 A	32 A	32 A	32 A	32 A
Approvals per	UL 1059			UL 1059			UL 1059		
Use Group	B	C	D	B	C	D	B	C	D
Rated voltage	300 V	-	300 V	300 V	150 V	300 V	300 V	150 V	300 V
Rated current	20 A	-	10 A	20 A	20 A	10 A	20 A	20 A	10 A
Approvals per	CSA			CSA			CSA		
Use Group	B	C	D	B	C	D	B	C	D
Rated voltage	300 V	-	300 V	300 V	150 V	300 V	300 V	150 V	300 V
Rated current	20 A	-	10 A	20 A	20 A	10 A	20 A	20 A	10 A

Connection Data	
Connection technology	CAGE CLAMP®
Strip length	8 ... 9 mm / 0.31 ... 0.35 inch
Conductor entry angle to the PCB	45°
Solid conductor	0.08 ... 4 mm <sup>2</sup> / 28 ... 12 AWG
Fine-stranded conductor	0.08 ... 4 mm <sup>2</sup> / 28 ... 12 AWG
Fine-stranded conductor with ferrule with plastic collar	0.25 ... 2.5 mm <sup>2</sup>
Fine-stranded conductor with ferrule without plastic collar	0.25 ... 2.5 mm <sup>2</sup>

Material Data	
Material group	I
Insulating material	Polyamide 66 (PA 66)
Flammability class per UL94	V0
Clamping spring material	Chrome nickel spring steel (CrNi)
Contact material	Electrolytic copper (Ecu)
Contact plating	Tin-plated

Mechanical Data	
Solder pin arrangement	Over the entire terminal strip, in line
Solder pin length	4 mm
Solder pin dimensions	0.8 x 1.2 mm
Drilled hole diameter (tolerance)	1.5 <sup>(+0.1)</sup> mm

Environmental Requirements	
Limit temperature range	-60 ... +105 °C

Ferrule	Page 847
Jumper	Page 253
Marking	Page 830
Testing and measuring	Page 854
Tools	Page 838
Additional information, see "Technical Section"	
Approvals and corresponding ratings, visit <a href="http://www.wago.com">www.wago.com</a>	

# PCB Terminal Block ▶ 745 Series

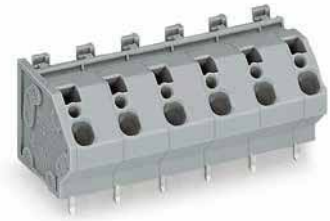
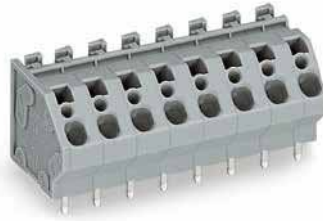
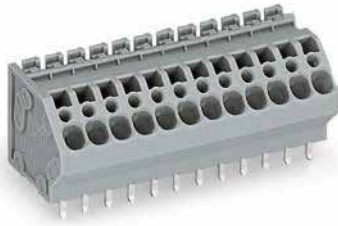
CAGE CLAMP® ▶ Actuation type: Operating tool ▶ 4 mm<sup>2</sup> ▶ Number of jumper slots: 1 ▶ Terminal strip ▶ Color: gray

Pin spacing: 5 mm (0.197 inch)

Pin spacing: 7.5 mm (0.295 inch)

Pin spacing: 10 mm (0.394 inch)

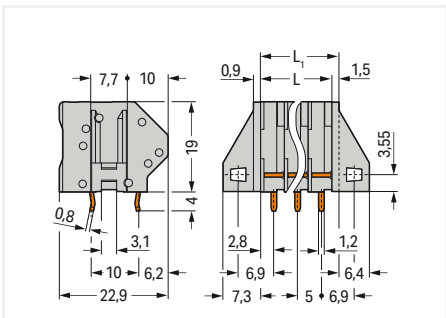
1



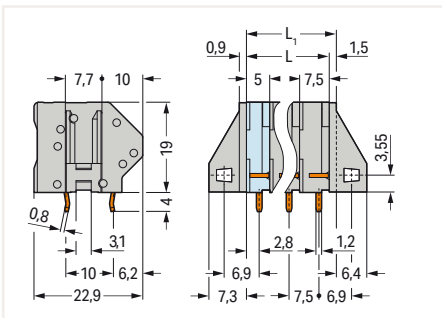
Pole No.	Item No.	PU
2	745-102	230
3	745-103	160
4	745-104	120
5	745-105	100
6	745-106	80
7	745-107	70
8	745-108	60
9	745-109	50
10	745-110	50
12	745-112	40

Pole No.	Item No.	PU
2	745-152	180
3	745-153	120
4	745-154	90
5	745-155	70
6	745-156	60
7	745-157	50
8	745-158	40
9	745-159	40
10	745-160	30
12	745-162	30

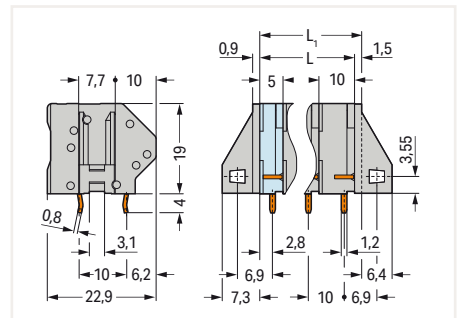
Pole No.	Item No.	PU
2	745-202	160
3	745-203	100
4	745-204	70
5	745-205	50
6	745-206	40
7	745-207	40
8	745-208	30
9	745-209	30
10	745-210	20
12	745-212	20



L = (pole no. - 1) x pin spacing + 5 mm  
 L<sub>1</sub> = L + 1.5 mm ± version **without** mounting flanges



L = (pole no. - 1) x pin spacing + 5 mm  
 L<sub>1</sub> = L + 1.5 mm ± version **without** mounting flanges



L = (pole no. - 1) x pin spacing + 5 mm  
 L<sub>1</sub> = L + 1.5 mm ± version **without** mounting flanges

PU = Packaging Unit; SPU = Subpackaging Unit; Dimensions in mm

Other variants can be requested via the WAGO sales department or, if necessary, configured at <https://configurator.wago.com/>:

- Other pole numbers
- Versions for Ex e II and Ex i
- Other colors
- Mixed-color terminal strips
- Versions with mounting flanges
- Direct marking

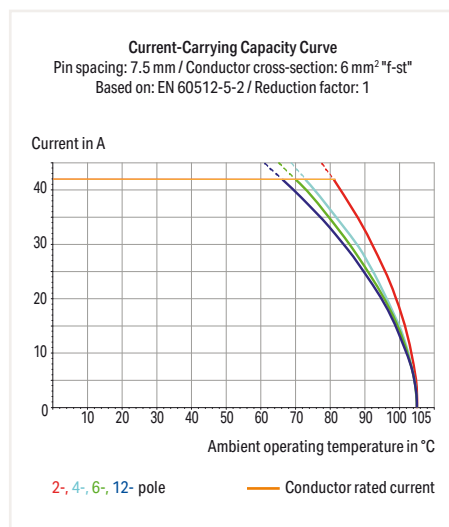
## PCB Terminal Block ▶ 745 Series

CAGE CLAMP® ▶ Actuation type: Operating tool ▶ 6 mm<sup>2</sup> ▶ Terminal strip ▶ Color: gray

1



- PCB terminal strips with screwdriver-actuated CAGE CLAMP®
- Versions with Ex approval
- Unrestricted UL approval up to 600 V with 12.5 mm pin spacing
- Double solder pins for high mechanical stability
- Custom color combinations
- Integrated testing tap
- Marker slot for Mini-WSB markers



Electrical Data						
Pin spacing	10 mm (0.394 inch)			12.5 mm (0.492 inch) / 15 mm (0.591 inch)		
Ratings per	IEC/EN 60664-1			IEC/EN 60664-1		
Overtoltage category	III	III	II	III	III	II
Pollution degree	3	2	2	3	2	2
Rated voltage	800 V	1000 V	1000 V	1000 V	1000 V	1000 V
Rated impulse voltage	8 kV	8 kV	8 kV	8 kV	8 kV	8 kV
Rated current	41 A	41 A	41 A	41 A	41 A	41 A
Approvals per	UL 1059			UL 1059		
Use Group	B	C	D	B	C	D
Rated voltage	300 V	300 V	600 V	600 V	600 V	-
Rated current	10 A	10 A	5 A	30 A	30 A	-
Approvals per	CSA			CSA		
Use Group	B	C	D	B	C	D
Rated voltage	300 V	300 V	600 V	600 V	600 V	-
Rated current	10 A	10 A	5 A	30 A	30 A	-

Connection Data	
Connection technology	CAGE CLAMP®
Strip length	11 ... 12 mm / 0.43 ... 0.47 inch
Conductor entry angle to the PCB	45°
Solid conductor	0.2 ... 6 mm <sup>2</sup> / 24 ... 10 AWG
Fine-stranded conductor	0.2 ... 6 mm <sup>2</sup> / 24 ... 10 AWG
Fine-stranded conductor with ferrule with plastic collar	0.25 ... 4 mm <sup>2</sup>
Fine-stranded conductor with ferrule without plastic collar	0.25 ... 4 mm <sup>2</sup>

Material Data	
Material group	I
Insulating material	Polyamide 66 (PA 66)
Flammability class per UL94	V0
Clamping spring material	Chrome nickel spring steel (CrNi)
Contact material	Electrolytic copper (Ecu)
Contact plating	Tin-plated

Mechanical Data	
Solder pin arrangement	Over the entire terminal strip, in line
Solder pin length	4.5 mm
Solder pin dimensions	1 x 1.4 mm
Drilled hole diameter (tolerance)	1.8 <sup>(+0.1)</sup> mm

Environmental Requirements	
Limit temperature range	-60 ... +105 °C

Ferrule	Page 847
Jumper	Page 253
Marking	Page 830
Testing and measuring	Page 854
Tools	Page 838
Additional information, see "Technical Section"	
Approvals and corresponding ratings, visit <a href="http://www.wago.com">www.wago.com</a>	

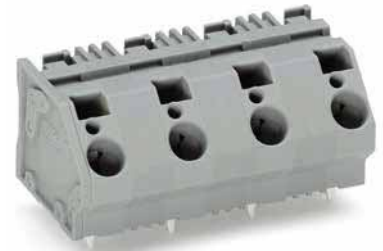
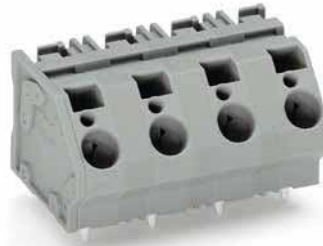
# PCB Terminal Block ▶ 745 Series

## CAGE CLAMP® ▶ Actuation type: Operating tool ▶ 6 mm<sup>2</sup> ▶ Terminal strip ▶ Color: gray

Pin spacing: 10 mm (0.394 inch)

Pin spacing: 12.5 mm (0.492 inch)

Pin spacing: 15 mm (0.591 inch)

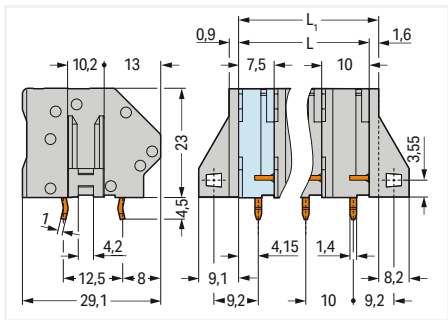


1

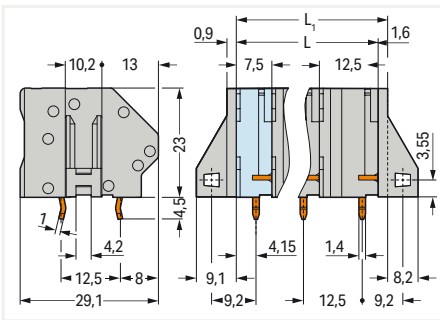
Pole No.	Item No.	PU
2	745-1352	104
3	745-1353	72
4	745-1354	48
5	745-1355	40
6	745-1356	32
7	745-1357	24
8	745-1358	24
9	745-1359	24
10	745-1360	16
12	745-1362	16

Pole No.	Item No.	PU
2	745-1402	80
3	745-1403	48
4	745-1404	40
5	745-1405	32
6	745-1406	24
7	745-1407	24
8	745-1408	16
9	745-1409	16
10	745-1410	16
12	745-1412	8

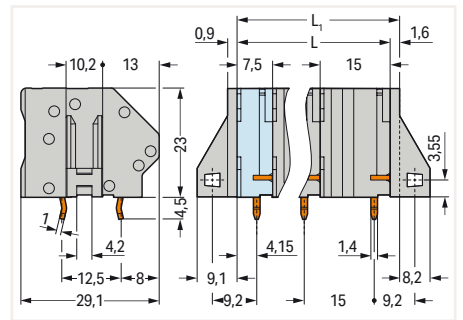
Pole No.	Item No.	PU
2	745-1452	64
3	745-1453	40
4	745-1454	32
5	745-1455	24
6	745-1456	16
7	745-1457	16
8	745-1458	16
9	745-1459	8
10	745-1460	8
12	745-1462	8



L = (pole no. - 1) x pin spacing + 7.5 mm  
 L<sub>1</sub> = L + 1.6 mm Δ version **without** mounting flanges



L = (pole no. - 1) x pin spacing + 7.5 mm  
 L<sub>1</sub> = L + 1.6 mm Δ version **without** mounting flanges



L = (pole no. - 1) x pin spacing + 7.5 mm  
 L<sub>1</sub> = L + 1.6 mm Δ version **without** mounting flanges

PU = Packaging Unit; SPU = Subpackaging Unit; Dimensions in mm

Other variants can be requested via the WAGO sales department or, if necessary, configured at <https://configurator.wago.com/>:

- Other pole numbers
- Versions for Ex e II and Ex i
- Other colors
- Mixed-color terminal strips
- Versions with mounting flanges
- Direct marking

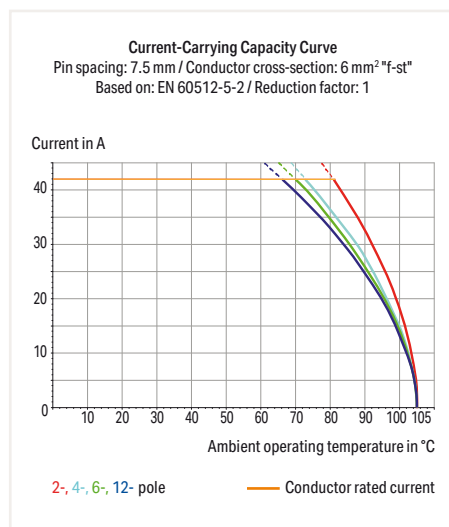
## PCB Terminal Block ▶ 745 Series

### CAGE CLAMP® ▶ Actuation type: Operating tool ▶ 6 mm<sup>2</sup> ▶ Number of jumper slots: 1 ▶ Modular terminal block

1



- Modular PCB terminal blocks with screwdriver-actuated CAGE CLAMP® for custom PCB terminal strip assemblies
- Versions with Ex approval
- Common and distribute potentials via comb-style jumper bars
- Double solder pins for high mechanical stability
- Integrated testing tap
- Marker slot for Mini-WSB markers



#### Electrical Data

Pin spacing	7.5 mm (0.295 inch)			10 mm (0.394 inch)		
Ratings per	IEC/EN 60664-1					
Overvoltage category	III	III	II	III	III	II
Pollution degree	3	2	2	3	2	2
Rated voltage	500 V	630 V	1000 V	630 V	1000 V	1000 V
Rated impulse voltage	6 kV	6 kV	6 kV	8 kV	8 kV	8 kV
Rated current	41 A	41 A	41 A	41 A	41 A	41 A
Approvals per	UL 1059			UL 1059		
Use Group	B	C	D	B	C	D
Rated voltage	300 V	150 V	300 V	300 V	150 V	300 V
Rated current	30 A	30 A	10 A	30 A	30 A	10 A
Approvals per	CSA			CSA		
Use Group	B	C	D	B	C	D
Rated voltage	300 V	150 V	300 V	300 V	150 V	300 V
Rated current	30 A	30 A	10 A	30 A	30 A	10 A

#### Connection Data

Connection technology	CAGE CLAMP®
Strip length	11 ... 12 mm / 0.43 ... 0.47 inch
Conductor entry angle to the PCB	45°
Solid conductor	0.2 ... 6 mm <sup>2</sup> / 24 ... 10 AWG
Fine-stranded conductor	0.2 ... 6 mm <sup>2</sup> / 24 ... 10 AWG
Fine-stranded conductor with ferrule with plastic collar	0.25 ... 4 mm <sup>2</sup>
Fine-stranded conductor with ferrule without plastic collar	0.25 ... 4 mm <sup>2</sup>

#### Material Data

Material group	I
Insulating material	Polyamide 66 (PA 66)
Flammability class per UL94	V0
Clamping spring material	Chrome nickel spring steel (CrNi)
Contact material	Electrolytic copper (Ecu)
Contact plating	Tin-plated

#### Mechanical Data

Solder pin arrangement	within the terminal block, in line
Solder pin length	4.5 mm
Solder pin dimensions	1 x 1.4 mm
Drilled hole diameter (tolerance)	1.8 <sup>(+0.1)</sup> mm

#### Environmental Requirements

Limit temperature range	-60 ... +105 °C
-------------------------	-----------------

Ferrule	Page 847
Jumper	Page 253
Marking	Page 830
Testing and measuring	Page 854
Tools	Page 838
Additional information, see "Technical Section"	
Approvals and corresponding ratings, visit <a href="http://www.wago.com">www.wago.com</a>	



# PCB Terminal Block ▶ 745 Series

CAGE CLAMP® ▶ Actuation type: Operating tool ▶ 6 mm<sup>2</sup> ▶ Number of jumper slots: 1 ▶ Modular terminal block

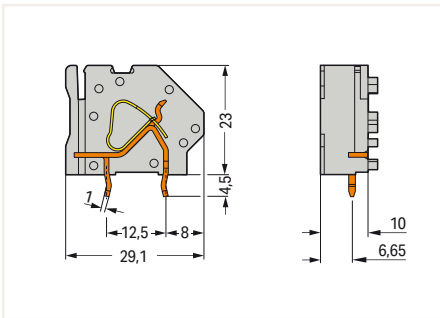
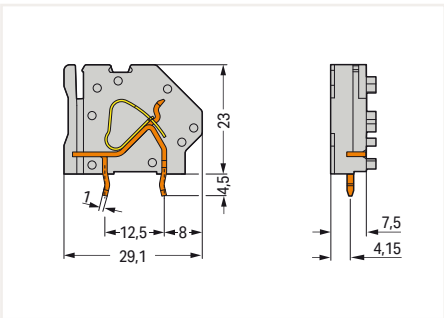
Pin spacing: 7.5 mm (0.295 inch)

Pin spacing: 10 mm (0.394 inch)



Color	Item No.	PU (SPU)
● gray	745-831	100 (50)
● blue	745-834	100 (5)
● light gray	745-833	100 (50)
● green-yellow	745-837	100 (50)
● light green	745-838	100 (50)

Color	Item No.	PU (SPU)
● gray	745-841	100 (50)
● blue	745-844	100 (50)
● light gray	745-843	100 (50)
● green-yellow	745-847	100 (50)
● light green	745-848	100 (50)



## Accessories; for all products on this page



End plate; 1.6 mm; snap-on type

Color	Item No.	PU (SPU)
● gray	745-300	500 (100)



intermediate plate; extends pin spacing; Pin spacing: 2.5 mm (0.098 inch)

Color	Item No.	PU (SPU)
● gray	745-338	500 (50)



End plate; 9.8 mm; Screw mounting

Color	Item No.	PU (SPU)
● gray	745-340	200 (50)



End plate; 9.1 mm; Screw mounting

Color	Item No.	PU (SPU)
● gray	745-345	200 (50)

PU = Packaging Unit; SPU = Subpackaging Unit; Dimensions in mm

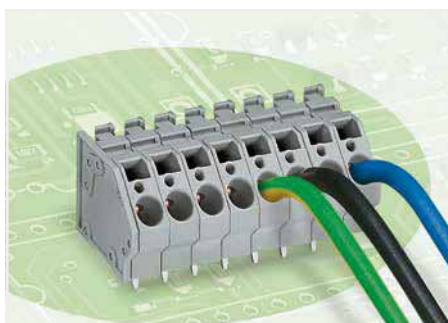
Other variants can be requested via the WAGO sales department or, if necessary, configured at <https://configurator.wago.com/>:

- Versions for Ex e II and Ex i
- Other colors

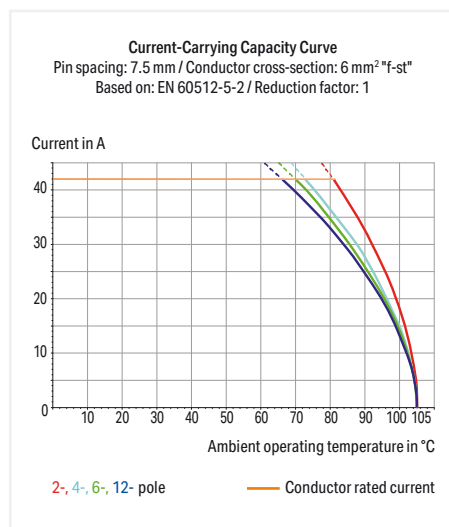
## PCB Terminal Block ▶ 745 Series

CAGE CLAMP® ▶ Actuation type: Operating tool ▶ 6 mm<sup>2</sup> ▶ Number of jumper slots: 1 ▶ Terminal strip ▶ Color: gray

1



- PCB terminal strips with screwdriver-actuated CAGE CLAMP®
- Versions with Ex approval
- Common and distribute potentials via comb-style jumper bars
- Double solder pins for high mechanical stability
- Custom color combinations
- Integrated testing tap
- Marker slot for Mini-WSB markers



### Electrical Data

Pin spacing	7.5 mm (0.295 inch)			10 mm (0.394 inch)		
Ratings per	IEC/EN 60664-1					
Overvoltage category	III	III	II	III	III	II
Pollution degree	3	2	2	3	2	2
Rated voltage	500 V	630 V	1000 V	630 V	1000 V	1000 V
Rated impulse voltage	6 kV	6 kV	6 kV	8 kV	8 kV	8 kV
Rated current	41 A	41 A	41 A	41 A	41 A	41 A
Approvals per	UL 1059			UL 1059		
Use Group	B	C	D	B	C	D
Rated voltage	300 V	150 V	300 V	300 V	150 V	300 V
Rated current	30 A	30 A	10 A	30 A	30 A	10 A
Approvals per	CSA			CSA		
Use Group	B	C	D	B	C	D
Rated voltage	300 V	150 V	300 V	300 V	150 V	300 V
Rated current	30 A	30 A	10 A	30 A	30 A	10 A

### Connection Data

Connection technology	CAGE CLAMP®
Strip length	11 ... 12 mm / 0.43 ... 0.47 inch
Conductor entry angle to the PCB	45°
Solid conductor	0.2 ... 6 mm <sup>2</sup> / 24 ... 10 AWG
Fine-stranded conductor	0.2 ... 6 mm <sup>2</sup> / 24 ... 10 AWG
Fine-stranded conductor with ferrule with plastic collar	0.25 ... 4 mm <sup>2</sup>
Fine-stranded conductor with ferrule without plastic collar	0.25 ... 4 mm <sup>2</sup>

### Material Data

Material group	I
Insulating material	Polyamide 66 (PA 66)
Flammability class per UL94	V0
Clamping spring material	Chrome nickel spring steel (CrNi)
Contact material	Electrolytic copper (Ecu)
Contact plating	Tin-plated

### Mechanical Data

Solder pin arrangement	Over the entire terminal strip, in line
Solder pin length	4.5 mm
Solder pin dimensions	1 x 1.4 mm
Drilled hole diameter (tolerance)	1.8 <sup>(+0.1)</sup> mm

### Environmental Requirements

Limit temperature range	-60 ... +105 °C
-------------------------	-----------------

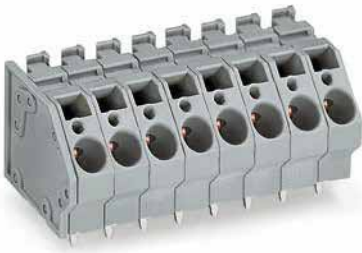
Ferrule	Page 847
Jumper	Page 253
Marking	Page 830
Testing and measuring	Page 854
Tools	Page 838
Additional information, see "Technical Section"	
Approvals and corresponding ratings, visit <a href="http://www.wago.com">www.wago.com</a>	

## PCB Terminal Block ▶ 745 Series

CAGE CLAMP® ▶ Actuation type: Operating tool ▶ 6 mm<sup>2</sup> ▶ Number of jumper slots: 1 ▶ Terminal strip ▶ Color: gray

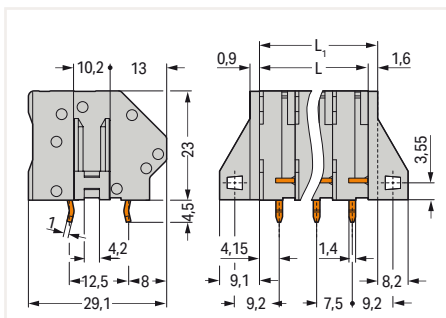
Pin spacing: 7.5 mm (0.295 inch)

Pin spacing: 10 mm (0.394 inch)

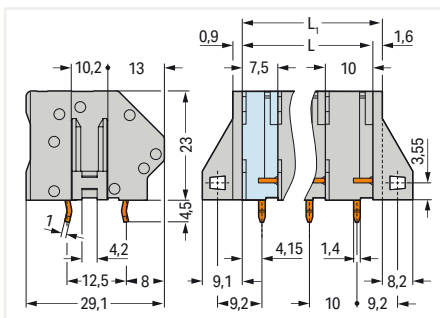


Pole No.	Item No.	PU
2	745-302	128
3	745-303	88
4	745-304	64
5	745-305	48
6	745-306	40
7	745-307	40
8	745-308	32
9	745-309	24
10	745-310	24
12	745-312	16

Pole No.	Item No.	PU
2	745-352	104
3	745-353	72
4	745-354	48
5	745-355	40
6	745-356	32
7	745-357	24
8	745-358	24
9	745-359	24
10	745-360	16
12	745-362	16



$L = (\text{pole no.} - 1) \times \text{pin spacing} + 7.5 \text{ mm}$   
 $L_1 = L + 1.6 \text{ mm} \hat{=}$  version **without** mounting flanges



$L = (\text{pole no.} - 1) \times \text{pin spacing} + 7.5 \text{ mm}$   
 $L_1 = L + 1.6 \text{ mm} \hat{=}$  version **without** mounting flanges

PU = Packaging Unit; SPU = Subpackaging Unit; Dimensions in mm

Other variants can be requested via the WAGO sales department or, if necessary, configured at <https://configurator.wago.com/>:

- Other pole numbers
- Versions for Ex e II and Ex i
- Other colors
- Mixed-color terminal strips
- Versions with mounting flanges
- Direct marking

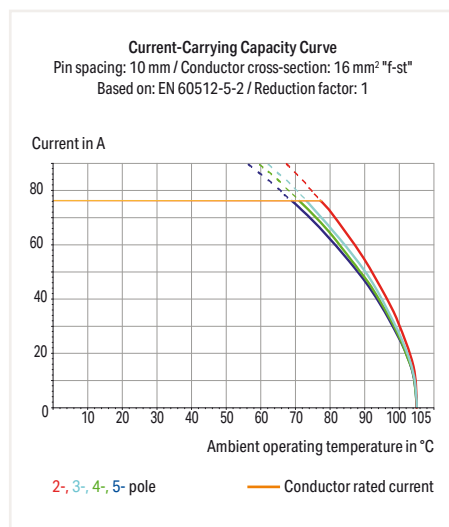
## PCB Terminal Block ▶ 745 Series

CAGE CLAMP® ▶ Actuation type: Operating tool ▶ 16 mm<sup>2</sup> ▶ Number of jumper slots: 1 ▶ Modular terminal block

1



- Modular PCB terminal blocks with screwdriver-actuated CAGE CLAMP® for custom PCB terminal strip assemblies
- Versions with Ex approval
- Unrestricted UL approval up to 600 V with 20 mm pin spacing
- Common and distribute potentials via comb-style jumper bars
- Four solder pins for high mechanical stability
- Integrated testing tap
- Marker slot for Mini-WSB markers



## Electrical Data

Pin spacing	10 mm (0.394 inch)			15 mm (0.591 inch)			20 mm (0.787 inch)		
Ratings per	IEC/EN 60664-1								
Overvoltage category	III	III	II	III	III	II	III	III	II
Pollution degree	3	2	2	3	2	2	3	2	2
Rated voltage	320 V	320 V	630 V	630 V	1000 V	1000 V	1000 V	1000 V	1000 V
Rated impulse voltage	4 kV	4 kV	4 kV	8 kV	8 kV	8 kV	12 kV	12 kV	12 kV
Rated current	76 A	76 A	76 A	76 A	76 A	76 A	76 A	76 A	76 A
Approvals per	UL 1059			UL 1059			UL 1059		
Use Group	B	C	D	B	C	D	B	C	D
Rated voltage	300 V	-	300 V	300 V	300 V	600 V	600 V	600 V	-
Rated current	10 A	-	10 A	65 A	65 A	5 A	65 A	65 A	-
Approvals per	CSA			CSA			CSA		
Use Group	B	C	D	B	C	D	B	C	D
Rated voltage	300 V	-	300 V	300 V	300 V	600 V	600 V	600 V	-
Rated current	10 A	-	10 A	65 A	65 A	5 A	65 A	65 A	-

## Connection Data

Connection technology	CAGE CLAMP®
Strip length	12 ... 13 mm / 0.47 ... 0.51 inch
Conductor entry angle to the PCB	45°
Solid conductor	0.2 ... 16 mm <sup>2</sup> / 24 ... 6 AWG
Fine-stranded conductor	0.2 ... 16 mm <sup>2</sup> / 24 ... 6 AWG
Fine-stranded conductor with ferrule with plastic collar	0.25 ... 10 mm <sup>2</sup>
Fine-stranded conductor with ferrule without plastic collar	0.25 ... 10 mm <sup>2</sup>

## Material Data

Material group	I
Insulating material	Polyamide 66 (PA 66)
Flammability class per UL94	V0
Clamping spring material	Chrome nickel spring steel (CrNi)
Contact material	Electrolytic copper (Ecu)
Contact plating	Tin-plated

## Mechanical Data

Solder pin arrangement	Over the entire terminal strip, in line
Solder pin length	6.5 mm
Solder pin dimensions	1.2 x 1.6 mm
Drilled hole diameter (tolerance)	2.2 <sup>(+0.1)</sup> mm

## Environmental Requirements

Limit temperature range	-60 ... +105 °C
-------------------------	-----------------

Ferrule Page 847

Jumper Page 253

Marking Page 830

Testing and measuring Page 854

Tools Page 838

Additional information, see "Technical Section"

Approvals and corresponding ratings, visit [www.wago.com](http://www.wago.com)

# PCB Terminal Block ▶ 745 Series

## CAGE CLAMP® ▶ Actuation type: Operating tool ▶ 16 mm<sup>2</sup> ▶ Number of jumper slots: 1 ▶ Modular terminal block

Pin spacing: 10 mm (0.394 inch)

Pin spacing: 15 mm (0.591 inch)

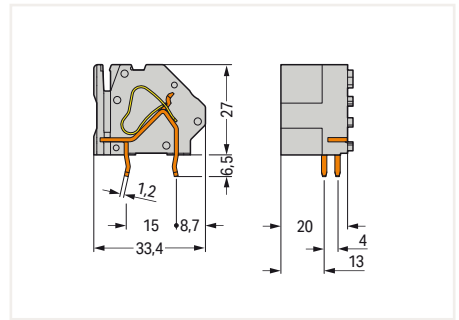
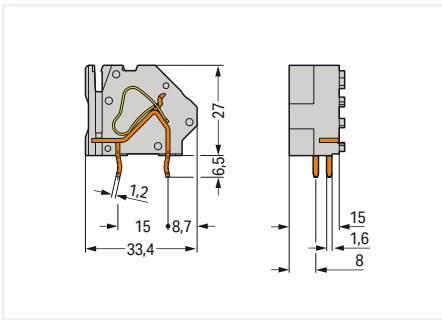
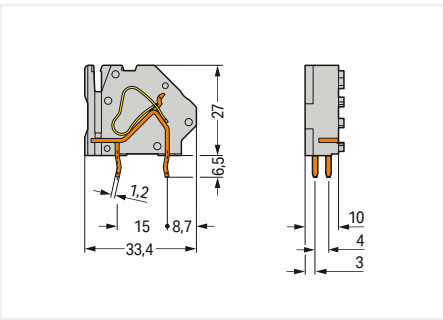
Pin spacing: 20 mm (0.787 inch)



Color	Item No.	PU (SPU)
gray	745-851/006-000	100 (100)
blue	745-854/006-000	100 (100)
light gray	745-853/006-000	100
green-yellow	745-857/006-000	100 (100)
light green	745-858/006-000	100

Color	Item No.	PU (SPU)
gray	745-871/006-000	100 (100)
blue	745-874/006-000	100 (100)
light gray	745-873/006-000	100 (100)
green-yellow	745-877/006-000	100 (100)
light green	745-878/006-000	100

Color	Item No.	PU (SPU)
gray	745-881/006-000	50 (50)
blue	745-884/006-000	50 (50)
light gray	745-883/006-000	50 (50)
green-yellow	745-887/006-000	50
light green	745-888/006-000	50



### Accessories; for all products on this page



End plate; 1.7 mm; snap-on type		
Color	Item No.	PU (SPU)
gray	745-500	500 (100)



End plate; 10.5 mm; Screw mounting		
Color	Item No.	PU (SPU)
	745-540	200 (50)
	745-545	200 (50)

PU = Packaging Unit; SPU = Subpackaging Unit; Dimensions in mm

Other variants can be requested via the WAGO sales department or, if necessary, configured at <https://configurator.wago.com/>:

- Versions for Ex e II and Ex i
- Other colors
- Solder pin length: 5 mm

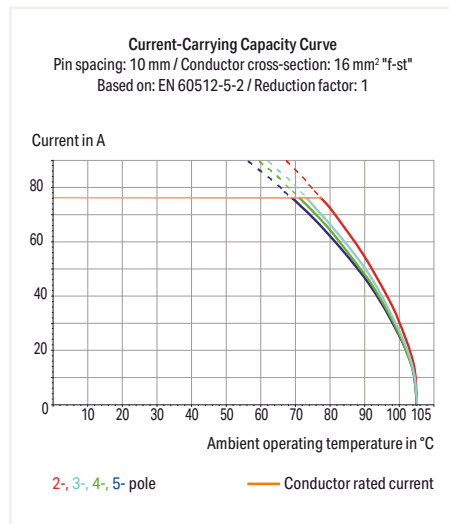
## PCB Terminal Block ▶ 745 Series

CAGE CLAMP® ▶ Actuation type: Operating tool ▶ 16 mm<sup>2</sup> ▶ Number of jumper slots: 1 ▶ Terminal strip ▶ Color: gray

1



- PCB terminal strips with screwdriver-actuated CAGE CLAMP®
- Versions with Ex approval
- Unrestricted UL approval up to 600 V with 20 mm pin spacing
- Common and distribute potentials via comb-style jumper bars
- Four solder pins for high mechanical stability
- Integrated testing tap
- Marker slot for Mini-WSB markers



Electrical Data									
Pin spacing	10 mm (0.394 inch)			15 mm (0.591 inch)			20 mm (0.787 inch)		
Ratings per	IEC/EN 60664-1								
Overvoltage category	III	III	II	III	III	II	III	III	II
Pollution degree	3	2	2	3	2	2	3	2	2
Rated voltage	320 V	320 V	630 V	630 V	1000 V	1000 V	1000 V	1000 V	1000 V
Rated impulse voltage	4 kV	4 kV	4 kV	8 kV	8 kV	8 kV	12 kV	12 kV	12 kV
Rated current	76 A	76 A	76 A	76 A	76 A	76 A	76 A	76 A	76 A
Approvals per	UL 1059			UL 1059			UL 1059		
Use Group	B	C	D	B	C	D	B	C	D
Rated voltage	300 V	-	300 V	300 V	300 V	600 V	600 V	600 V	-
Rated current	10 A	-	10 A	65 A	65 A	5 A	65 A	65 A	-
Approvals per	CSA			CSA			CSA		
Use Group	B	C	D	B	C	D	B	C	D
Rated voltage	300 V	-	300 V	300 V	300 V	600 V	600 V	600 V	-
Rated current	10 A	-	10 A	65 A	65 A	5 A	65 A	65 A	-

Connection Data	
Connection technology	CAGE CLAMP®
Strip length	12 ... 13 mm / 0.47 ... 0.51 inch
Conductor entry angle to the PCB	45°
Solid conductor	0.2 ... 16 mm <sup>2</sup> / 24 ... 6 AWG
Fine-stranded conductor	0.2 ... 16 mm <sup>2</sup> / 24 ... 6 AWG
Fine-stranded conductor with ferrule with plastic collar	0.25 ... 10 mm <sup>2</sup>
Fine-stranded conductor with ferrule without plastic collar	0.25 ... 10 mm <sup>2</sup>

Material Data	
Material group	I
Insulating material	Polyamide 66 (PA 66)
Flammability class per UL94	V0
Clamping spring material	Chrome nickel spring steel (CrNi)
Contact material	Electrolytic copper (Ecu)
Contact plating	Tin-plated

Mechanical Data	
Solder pin arrangement	Over the entire terminal strip, in line
Solder pin length	6.5 mm
Solder pin dimensions	1.2 x 1.6 mm
Drilled hole diameter (tolerance)	2.2 <sup>(+0.1)</sup> mm

Environmental Requirements	
Limit temperature range	-60 ... +105 °C

Ferrule	Page 847
Jumper	Page 253
Marking	Page 830
Testing and measuring	Page 854
Tools	Page 838
Additional information, see "Technical Section"	
Approvals and corresponding ratings, visit <a href="http://www.wago.com">www.wago.com</a>	

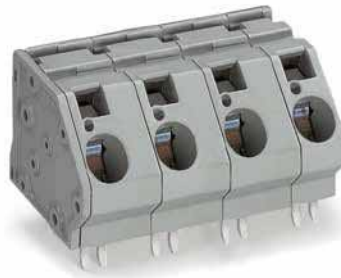
## PCB Terminal Block ▶ 745 Series

CAGE CLAMP® ▶ Actuation type: Operating tool ▶ 16 mm<sup>2</sup> ▶ Number of jumper slots: 1 ▶ Terminal strip ▶ Color: gray

Pin spacing: 10 mm (0.394 inch)

Pin spacing: 15 mm (0.591 inch)

Pin spacing: 20 mm (0.787 inch)

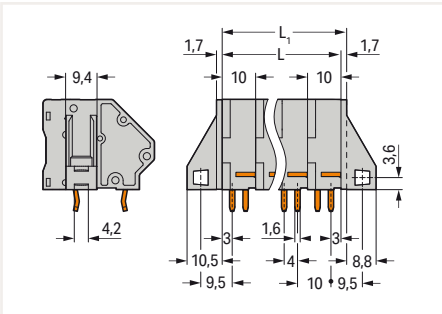


1

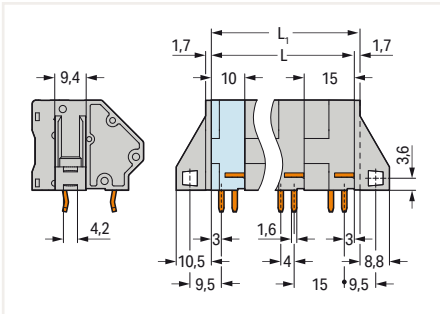
Pole No.	Item No.	PU
2	745-502/006-000	48
3	745-503/006-000	32
4	745-504/006-000	24
5	745-505/006-000	20

Pole No.	Item No.	PU
2	745-602/006-000	36
3	745-603/006-000	24
4	745-604/006-000	16
5	745-605/006-000	12

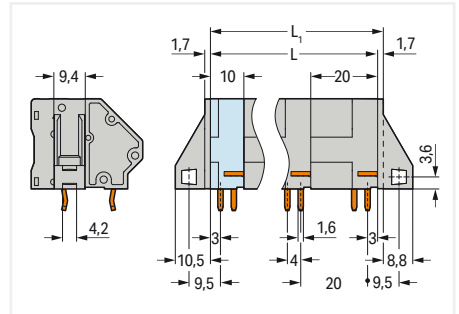
Pole No.	Item No.	PU
2	745-652/006-000	32
3	745-653/006-000	20
4	745-654/006-000	12
5	745-655/006-000	8



L = (pole no. - 1) x pin spacing + 10 mm  
 L<sub>1</sub> = L + 1.7 mm ± version **without** mounting flanges



L = (pole no. - 1) x pin spacing + 10 mm  
 L<sub>1</sub> = L + 1.7 mm ± version **without** mounting flanges



L = (pole no. - 1) x pin spacing + 10 mm  
 L<sub>1</sub> = L + 1.7 mm ± version **without** mounting flanges

PU = Packaging Unit; SPU = Subpackaging Unit; Dimensions in mm

Other variants can be requested via the WAGO sales department or, if necessary, configured at <https://configurator.wago.com/>:

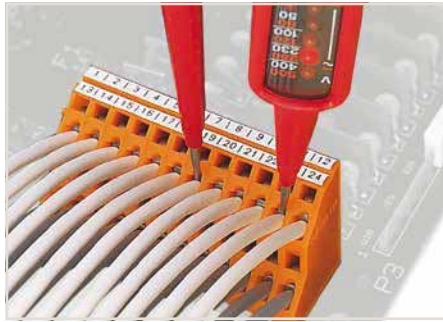
- Other pole numbers
- Versions for Ex e II and Ex i
- Other colors
- Mixed-color terminal strips
- Versions with mounting flanges
- Direct marking
- Solder pin length: 5 mm

## 736, 737 and 738 Series Description and Installation

1



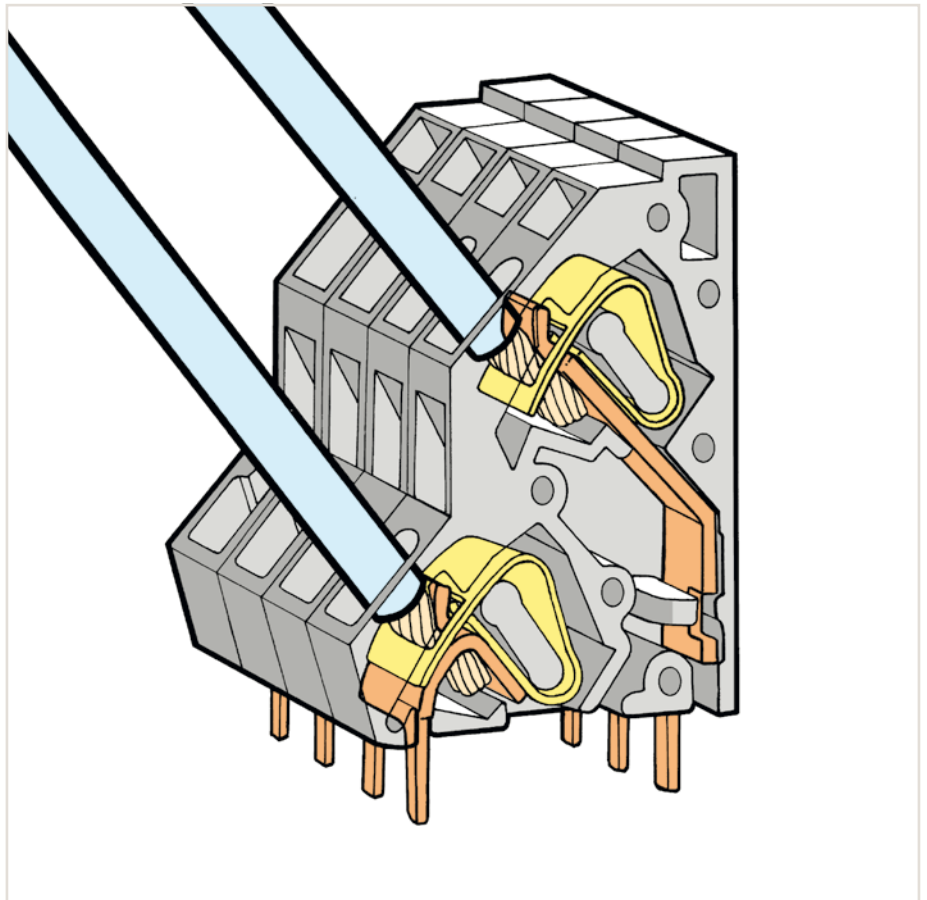
Inserting a conductor via 3.5 mm screwdriver.  
Screwdriver actuation parallel to conductor entry.



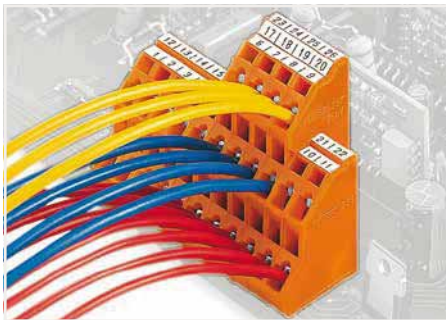
Testing via contact area above the conductors.



Low space requirements due to high-density design  
– double-Deck PCB terminal strip – 736 Series.



736 Series



Labeling with self-adhesive marking strips.



# 736, 737 and 738 Series Combination of Multilevel PCB Terminal Strips

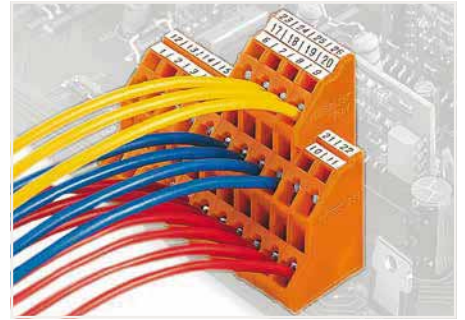
1



Possible combination:  
Double- (736 Series) and triple-Deck PCB terminal strips (737 Series) upon request  
Combination of Multilevel PCB Terminal Strips



Possible combination:  
Double- (736 Series) and triple-Deck PCB terminal strips (737 Series) upon request



Possible combination:  
Double- (737 Series) and quadruple-Deck PCB terminal strips (738 Series) upon request

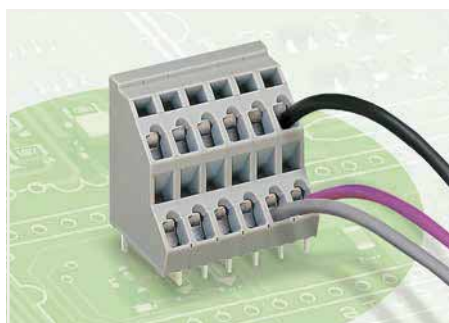


Possible combination:  
Double- (737 Series) and quadruple-Deck PCB terminal strips (738 Series) upon request

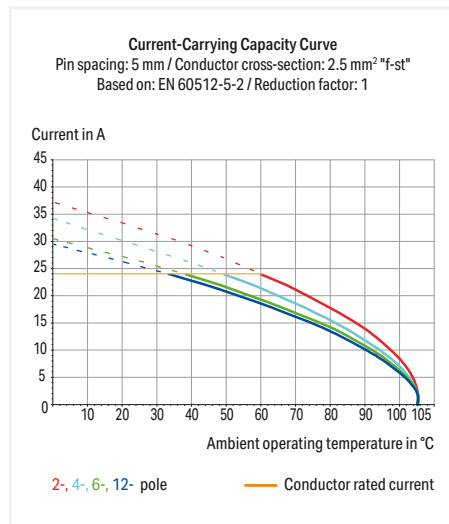
## Double-Deck PCB Terminal Block ▶ 736 Series

### CAGE CLAMP® ▶ Actuation type: Operating tool ▶ Terminal strip ▶ 2.5 mm<sup>2</sup> ▶ Color: gray

1



- PCB terminal strips with screwdriver-actuated CAGE CLAMP®
- High-density, double-Deck design for space-efficient wiring of multiple conductors in confined areas
- Custom marking for all termination levels



Electrical Data									
Pin spacing	5 mm (0.197 inch)			7.5 mm (0.295 inch)			10 mm (0.394 inch)		
<b>Between the modules</b>									
Ratings per	IEC/EN 60664-1			IEC/EN 60664-1			IEC/EN 60664-1		
Overvoltage category	III	III	II	III	III	II	III	III	II
Pollution degree	3	2	2	3	2	2	3	2	2
Rated voltage	250 V	320 V	630 V	400 V	630 V	1000 V	630 V	1000 V	1000 V
Rated impulse voltage	4 kV	4 kV	4 kV	6 kV	6 kV	6 kV	8 kV	8 kV	8 kV
Rated current	21 A	21 A	21 A	21 A	21 A	21 A	21 A	21 A	21 A
<b>Approvals per</b>									
Use Group	UL 1059			UL 1059			UL 1059		
Rated voltage	300 V	-	300 V	300 V	-	300 V	300 V	-	300 V
Rated current	10 A	-	10 A	10 A	-	10 A	10 A	-	10 A
<b>Approvals per</b>									
Use Group	CSA			CSA			CSA		
Rated voltage	300 V	-	300 V	300 V	-	300 V	300 V	-	300 V
Rated current	10 A	-	10 A	10 A	-	10 A	10 A	-	10 A

Between the decks									
Ratings according to 2	IEC/EN 60664-1			IEC/EN 60664-1			IEC/EN 60664-1		
Overvoltage category	III	III	II	III	III	II	III	III	II
Pollution degree	3	2	2	3	2	2	3	2	2
Rated voltage	320 V	320 V	630 V	320 V	320 V	630 V	320 V	320 V	630 V
Rated impulse voltage	4 kV	4 kV	4 kV	4 kV	4 kV	4 kV	4 kV	4 kV	4 kV
Rated current	21 A	21 A	21 A	21 A	21 A	21 A	21 A	21 A	21 A

Connection Data	
Connection technology	CAGE CLAMP®
Strip length	5 ... 6 mm / 0.2 ... 0.24 inch
Conductor entry angle to the PCB	45°
Solid conductor	0.08 ... 2.5 mm <sup>2</sup> / 28 ... 12 AWG
Fine-stranded conductor	0.08 ... 2.5 mm <sup>2</sup> / 28 ... 12 AWG
Fine-stranded conductor with ferrule with plastic collar	0.25 ... 1.5 mm <sup>2</sup>
Fine-stranded conductor with ferrule without plastic collar	0.25 ... 2.5 mm <sup>2</sup>
Note (conductor cross-section)	12 AWG: THHN, THWN

Material Data	
Material group	I
Insulating material	Polyamide 66 (PA 66)
Flammability class per UL94	V0
Clamping spring material	Chrome nickel spring steel (CrNi)
Contact material	Electrolytic copper (Ecu)
Contact plating	Tin-plated

Mechanical Data	
Solder pin length	4 mm
Solder pin dimensions	0.7 x 0.7 mm
Drilled hole diameter (tolerance)	1.3 <sup>(+0.1)</sup> mm

Environmental Requirements	
Limit temperature range	-60 ... +105 °C

Ferrule	Page 847
Marking	Page 833
Testing and measuring	Page 254
Tools	Page 838
Commoning strips	Page 248
Additional information, see "Technical Section"	
Approvals and corresponding ratings, visit <a href="http://www.wago.com">www.wago.com</a>	

# Double-Deck PCB Terminal Block ▶ 736 Series

## CAGE CLAMP® ▶ Actuation type: Operating tool ▶ Terminal strip ▶ 2.5 mm<sup>2</sup> ▶ Color: gray

Pin spacing: 5 mm (0.197 inch)

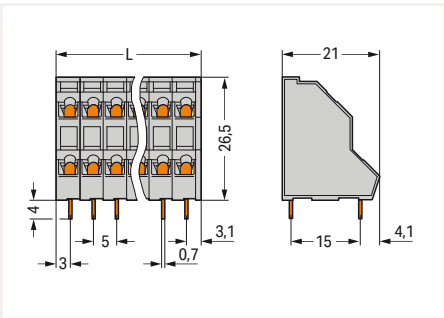
Solder pin arrangement within the terminal block, in line

Solder pin arrangement within the terminal block, staggered

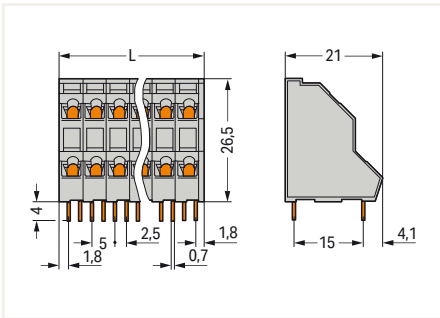


Pole No.	Item No.	PU
2	736-102	161
3	736-103	112
4	736-104	84
6	736-106	56
8	736-108	42
12	736-112	28
16	736-116	21
24	736-124	14

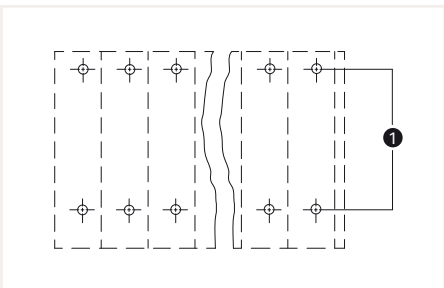
Pole No.	Item No.	PU
2	736-202	161
3	736-203	112
4	736-204	84
6	736-206	56
8	736-208	42
12	736-212	28
16	736-216	21
24	736-224	14



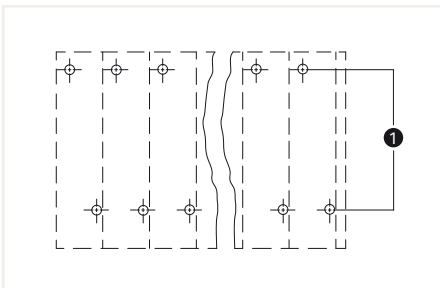
L = (pole no. x pin spacing) + 1 mm



L = (pole no. x pin spacing) + 1 mm



(1) Solder pins in a row



(1) Solder pin staggered by half a pin spacing

PU = Packaging Unit; SPU = Subpackaging Unit; Dimensions in mm

Other variants can be requested via the WAGO sales department or, if necessary, configured at <https://configurator.wago.com/>:

- Other pole numbers
- Other colors
- Mixed-color terminal strips
- Direct marking

## Double-Deck PCB Terminal Block ▶ 736 Series

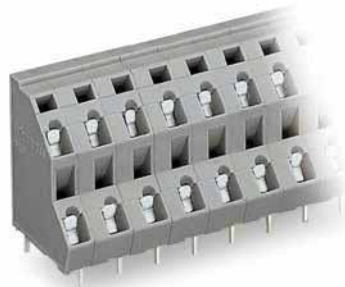
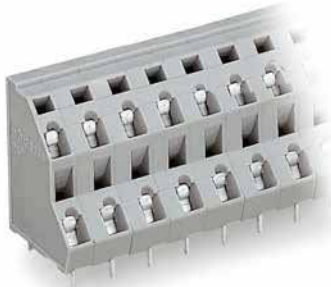
### CAGE CLAMP® ▶ Actuation type: Operating tool ▶ Terminal strip ▶ 2.5 mm<sup>2</sup> ▶ Color: gray

Pin spacing: 7.5 mm (0.295 inch)

Solder pin arrangement within the terminal block, in line

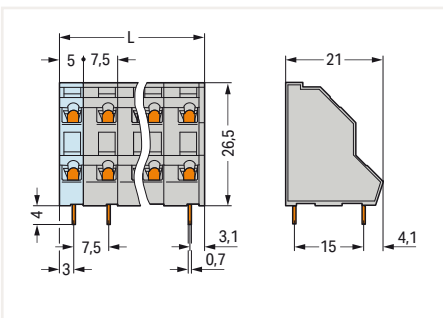
Solder pin arrangement within the terminal block, staggered

1

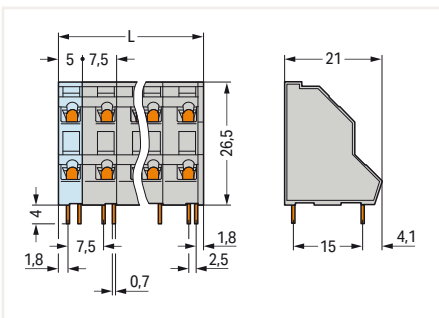


Pole No.	Item No.	PU
2	736-502	133
3	736-503	84
4	736-504	63
6	736-506	42
8	736-508	28
12	736-512	21
16	736-516	14

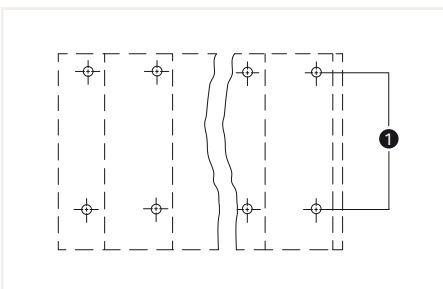
Pole No.	Item No.	PU
2	736-552	133
3	736-553	84
4	736-554	63
6	736-556	42
8	736-558	28
12	736-562	21
16	736-566	14



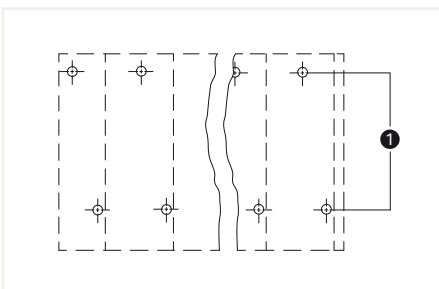
$$L = (\text{pole no.} - 1) \times \text{pin spacing} + 5 \text{ mm} + 1 \text{ mm}$$



$$L = (\text{pole no.} - 1) \times \text{pin spacing} + 5 \text{ mm} + 1 \text{ mm}$$



(1) Solder pins in a row



(1) Solder pin staggered by half a pin spacing

PU = Packaging Unit; SPU = Subpackaging Unit; Dimensions in mm

Other variants can be requested via the WAGO sales department or, if necessary, configured at <https://configurator.wago.com/>:

- Other pole numbers
- Other colors
- Mixed-color terminal strips
- Direct marking

# Double-Deck PCB Terminal Block ▶ 736 Series

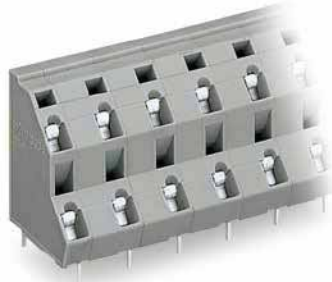
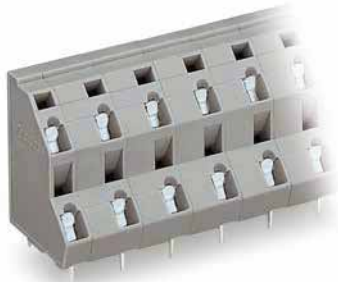
## CAGE CLAMP® ▶ Actuation type: Operating tool ▶ Terminal strip ▶ 2.5 mm<sup>2</sup> ▶ Color: gray

Pin spacing: 10 mm (0.394 inch)

Solder pin arrangement within the terminal block, in line

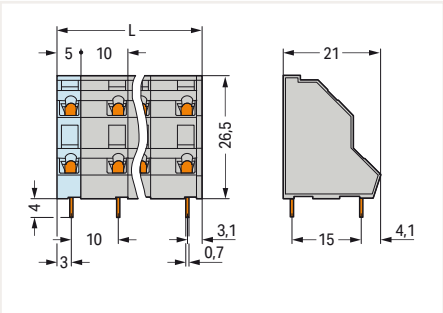
Solder pin arrangement within the terminal block, staggered

1

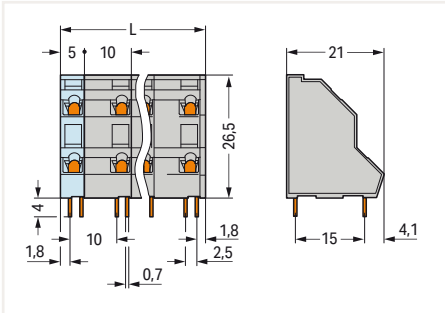


Pole No.	Item No.	PU
2	736-702	112
3	736-703	70
4	736-704	49
6	736-706	28
8	736-708	21
12	736-712	14

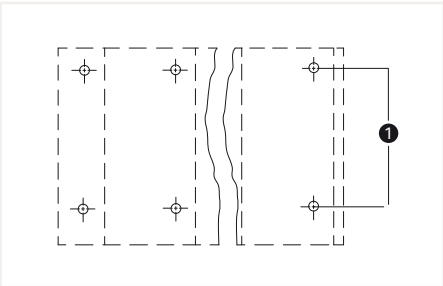
Pole No.	Item No.	PU
2	736-752	112
3	736-753	70
4	736-754	49
6	736-756	28
8	736-758	21
12	736-762	14



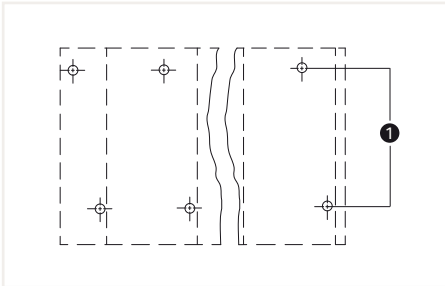
L = (pole no. - 1) x pin spacing + 5 mm + 1 mm



L = (pole no. - 1) x pin spacing + 5 mm + 1 mm



(1) Solder pins in a row



(1) Solder pin staggered by half a pin spacing

PU = Packaging Unit; SPU = Subpackaging Unit; Dimensions in mm

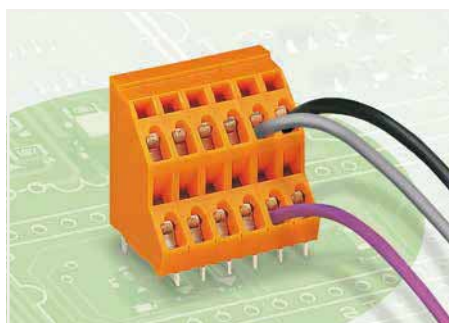
Other variants can be requested via the WAGO sales department or, if necessary, configured at <https://configurator.wago.com/>:

- Other pole numbers
- Other colors
- Mixed-color terminal strips
- Direct marking

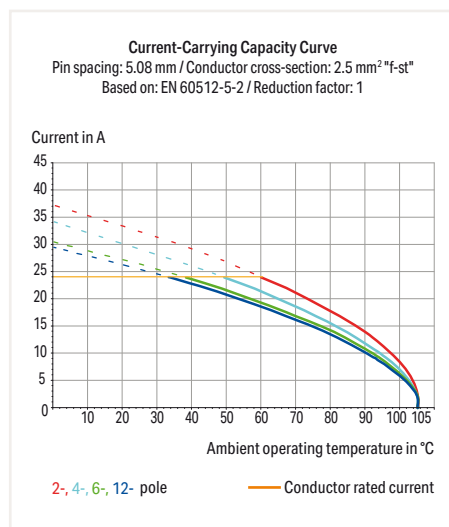
## Double-Deck PCB Terminal Block ▶ 736 Series

### CAGE CLAMP® ▶ Actuation type: Operating tool ▶ Terminal strip ▶ 2.5 mm<sup>2</sup> ▶ Color: orange

1



- PCB terminal strips with screwdriver-actuated CAGE CLAMP®
- High-density, double-Deck design for space-efficient wiring of multiple conductors in confined areas
- Custom marking for all termination levels



Electrical Data									
Pin spacing	5.08 mm (0.2 inch)			7.62 mm (0.3 inch)			10.16 mm (0.4 inch)		
<b>Between the modules</b>									
Ratings per	IEC/EN 60664-1			IEC/EN 60664-1			IEC/EN 60664-1		
Overtoltage category	III	III	II	III	III	II	III	III	II
Pollution degree	3	2	2	3	2	2	3	2	2
Rated voltage	250 V	320 V	630 V	400 V	630 V	1000 V	630 V	1000 V	1000 V
Rated impulse voltage	4 kV	4 kV	4 kV	6 kV	6 kV	6 kV	8 kV	8 kV	8 kV
Rated current	21 A	21 A	21 A	21 A	21 A	21 A	21 A	21 A	21 A
<b>Approvals per</b>									
Use Group	UL 1059			UL 1059			UL 1059		
Rated voltage	300 V	-	300 V	300 V	-	300 V	300 V	-	300 V
Rated current	10 A	-	10 A	10 A	-	10 A	10 A	-	10 A
<b>Approvals per</b>									
Use Group	CSA			CSA			CSA		
Rated voltage	300 V	-	300 V	300 V	-	300 V	300 V	-	300 V
Rated current	10 A	-	10 A	10 A	-	10 A	10 A	-	10 A

Between the decks									
Ratings according to 2	IEC/EN 60664-1			IEC/EN 60664-1			IEC/EN 60664-1		
Overtoltage category	III	III	II	III	III	II	III	III	II
Pollution degree	3	2	2	3	2	2	3	2	2
Rated voltage	320 V	320 V	630 V	320 V	320 V	630 V	320 V	320 V	630 V
Rated impulse voltage	4 kV	4 kV	4 kV	4 kV	4 kV	4 kV	4 kV	4 kV	4 kV
Rated current	21 A	21 A	21 A	21 A	21 A	21 A	21 A	21 A	21 A

Connection Data	
Connection technology	CAGE CLAMP®
Strip length	5 ... 6 mm / 0.2 ... 0.24 inch
Conductor entry angle to the PCB	45°
Solid conductor	0.08 ... 2.5 mm <sup>2</sup> / 28 ... 12 AWG
Fine-stranded conductor	0.08 ... 2.5 mm <sup>2</sup> / 28 ... 12 AWG
Fine-stranded conductor with ferrule with plastic collar	0.25 ... 1.5 mm <sup>2</sup>
Fine-stranded conductor with ferrule without plastic collar	0.25 ... 2.5 mm <sup>2</sup>
Note (conductor cross-section)	12 AWG: THHN, THWN

Material Data	
Material group	I
Insulating material	Polyamide 66 (PA 66)
Flammability class per UL94	V0
Clamping spring material	Chrome nickel spring steel (CrNi)
Contact material	Electrolytic copper (Ecu)
Contact plating	Tin-plated

Mechanical Data	
Solder pin length	4 mm
Solder pin dimensions	0.7 x 0.7 mm
Drilled hole diameter (tolerance)	1.3 <sup>(+0.1)</sup> mm

Environmental Requirements	
Limit temperature range	-60 ... +105 °C

Ferrule	Page 847
Marking	Page 833
Testing and measuring	Page 254
Tools	Page 838
Commoning strips	Page 248
Additional information, see "Technical Section"	
Approvals and corresponding ratings, visit <a href="http://www.wago.com">www.wago.com</a>	

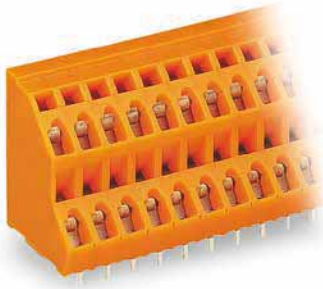
# Double-Deck PCB Terminal Block ▶ 736 Series

## CAGE CLAMP® ▶ Actuation type: Operating tool ▶ Terminal strip ▶ 2.5 mm<sup>2</sup> ▶ Color: orange

Pin spacing: 5.08 mm (0.2 inch)

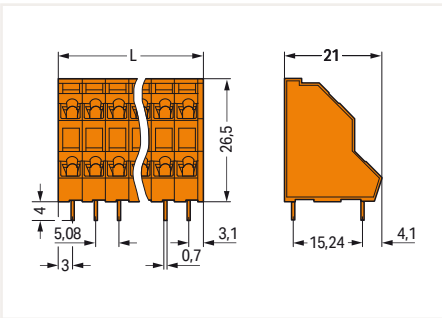
Solder pin arrangement within the terminal block, in line

Solder pin arrangement within the terminal block, staggered

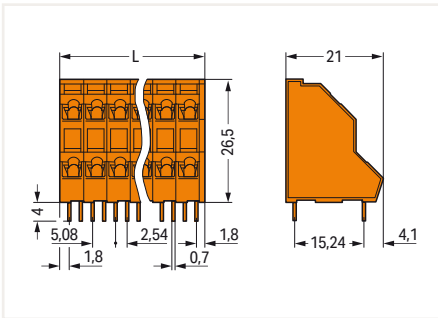


Pole No.	Item No.	PU
2	736-302	161
3	736-303	112
4	736-304	84
6	736-306	56
8	736-308	42
12	736-312	28
16	736-316	21
24	736-324	14

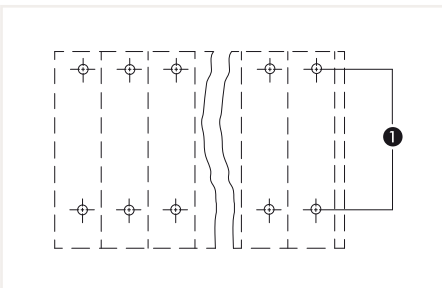
Pole No.	Item No.	PU
2	736-402	161
3	736-403	112
4	736-404	84
6	736-406	56
8	736-408	42
12	736-412	28
16	736-416	21
24	736-424	14



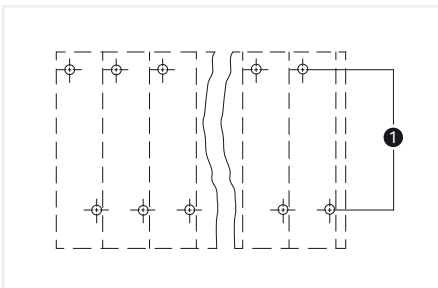
L = (pole no. x pin spacing) + 1 mm



L = (pole no. x pin spacing) + 1 mm



(1) Solder pins in a row



(1) Solder pin staggered by half a pin spacing

PU = Packaging Unit; SPU = Subpackaging Unit; Dimensions in mm

Other variants can be requested via the WAGO sales department or, if necessary, configured at <https://configurator.wago.com/>:

- Other pole numbers
- Other colors
- Mixed-color terminal strips
- Direct marking

# Double-Deck PCB Terminal Block ▶ 736 Series

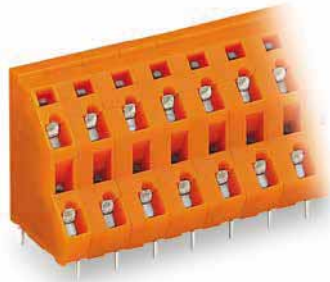
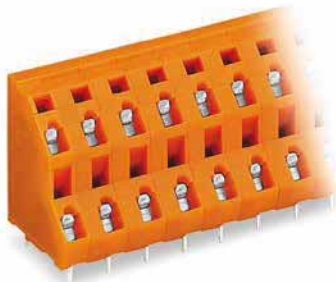
## CAGE CLAMP® ▶ Actuation type: Operating tool ▶ Terminal strip ▶ 2.5 mm<sup>2</sup> ▶ Color: orange

Pin spacing: 7.62 mm (0.3 inch)

Solder pin arrangement within the terminal block, in line

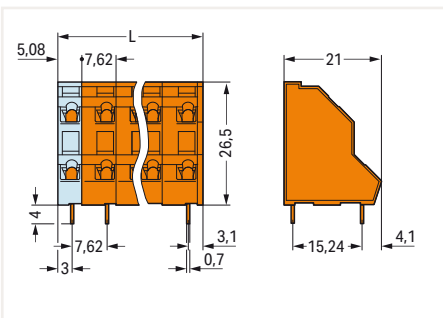
Solder pin arrangement within the terminal block, staggered

1

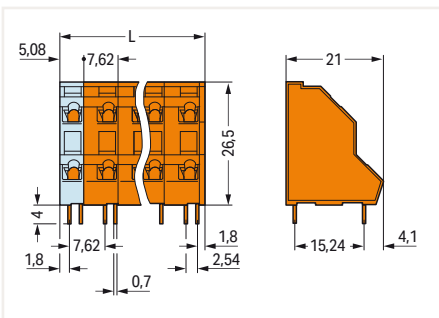


Pole No.	Item No.	PU (SPU)
2	736-602	133
3	736-603	84 (21)
4	736-604	63
6	736-606	35
8	736-608	28
12	736-612	14
16	736-616	14

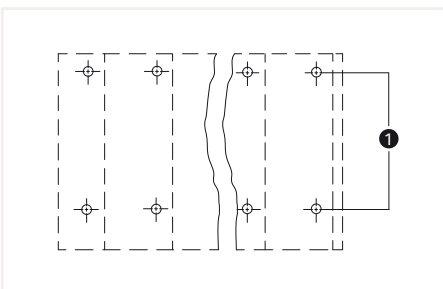
Pole No.	Item No.	PU
2	736-652	133
3	736-653	84
4	736-654	63
6	736-656	35
8	736-658	28
12	736-662	14
16	736-666	14



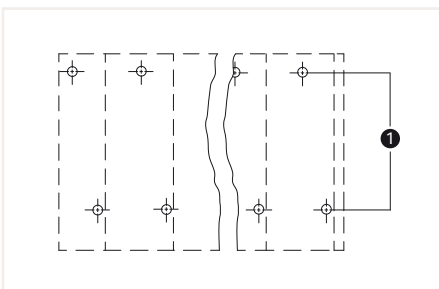
$L = (\text{pole no.} - 1) \times \text{pin spacing} + 5.08 \text{ mm} + 1 \text{ mm}$



$L = (\text{pole no.} - 1) \times \text{pin spacing} + 5.08 \text{ mm} + 1 \text{ mm}$



(1) Solder pins in a row



(1) Solder pin staggered by half a pin spacing

PU = Packaging Unit; SPU = Subpackaging Unit; Dimensions in mm

Other variants can be requested via the WAGO sales department or, if necessary, configured at <https://configurator.wago.com/>:

- Other pole numbers
- Other colors
- Mixed-color terminal strips
- Direct marking



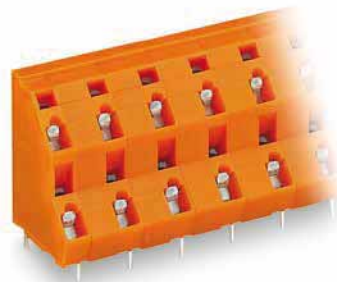
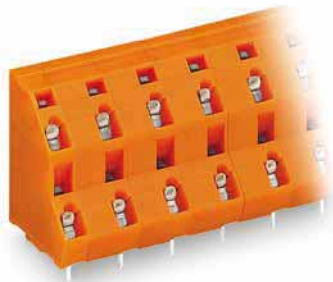
# Double-Deck PCB Terminal Block ▶ 736 Series

## CAGE CLAMP® ▶ Actuation type: Operating tool ▶ Terminal strip ▶ 2.5 mm<sup>2</sup> ▶ Color: orange

Pin spacing: 10.16 mm (0.4 inch)

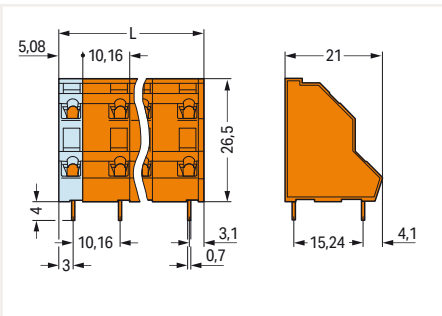
Solder pin arrangement within the terminal block, in line

Solder pin arrangement within the terminal block, staggered

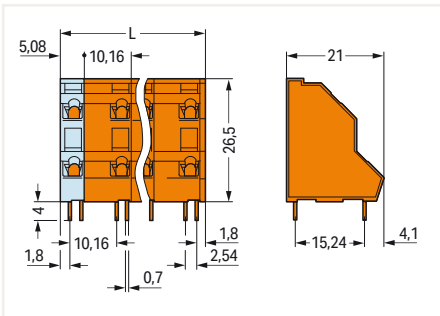


Pole No.	Item No.	PU
2	736-802	112
3	736-803	70
4	736-804	49
6	736-806	28
8	736-808	21
12	736-812	14

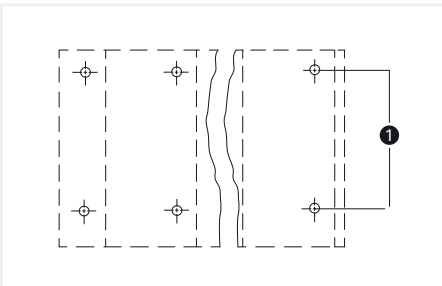
Pole No.	Item No.	PU
2	736-852	112
3	736-853	70
4	736-854	49
6	736-856	28
8	736-858	21
12	736-862	14



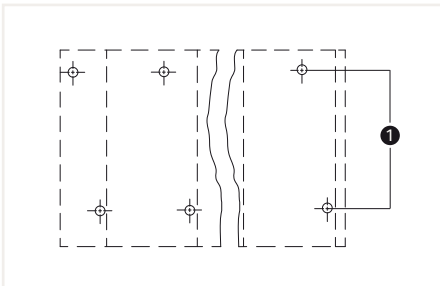
$L = (\text{pole no.} - 1) \times \text{pin spacing} + 5.08 \text{ mm} + 1 \text{ mm}$



$L = (\text{pole no.} - 1) \times \text{pin spacing} + 5.08 \text{ mm} + 1 \text{ mm}$



(1) Solder pins in a row



(1) Solder pin staggered by half a pin spacing

PU = Packaging Unit; SPU = Subpackaging Unit; Dimensions in mm

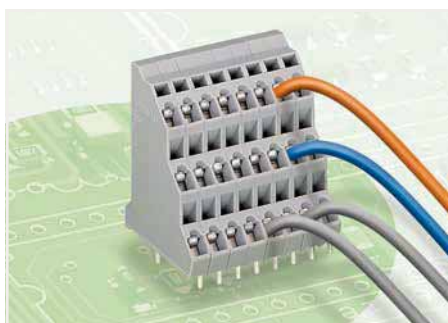
Other variants can be requested via the WAGO sales department or, if necessary, configured at <https://configurator.wago.com/>:

- Other pole numbers
- Other colors
- Mixed-color terminal strips
- Direct marking

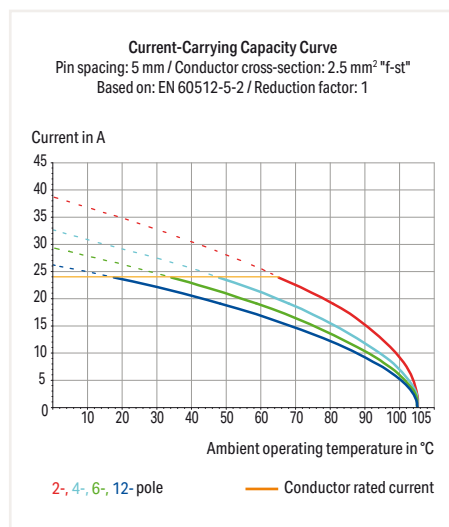
## Triple-Deck PCB Terminal Block ▶ 737 Series

CAGE CLAMP® ▶ Actuation type: Operating tool ▶ Terminal strip ▶ 2.5 mm<sup>2</sup> ▶ Color: gray

1



- PCB terminal strips with screwdriver-actuated CAGE CLAMP®
- High-density, double-Deck design for space-efficient wiring of multiple conductors in confined areas
- Custom marking for all termination levels



Electrical Data									
Pin spacing	5 mm (0.197 inch)			7.5 mm (0.295 inch)			10 mm (0.394 inch)		
<b>Between the modules</b>									
Ratings per	IEC/EN 60664-1			IEC/EN 60664-1			IEC/EN 60664-1		
Overtoltage category	III	III	II	III	III	II	III	III	II
Pollution degree	3	2	2	3	2	2	3	2	2
Rated voltage	250 V	320 V	630 V	400 V	630 V	1000 V	630 V	1000 V	1000 V
Rated impulse voltage	4 kV	4 kV	4 kV	6 kV	6 kV	6 kV	8 kV	8 kV	8 kV
Rated current	21 A	21 A	21 A	21 A	21 A	21 A	21 A	21 A	21 A
<b>Approvals per</b>									
Use Group	UL 1059			UL 1059			UL 1059		
Rated voltage	300 V	-	300 V	300 V	-	300 V	300 V	-	300 V
Rated current	10 A	-	10 A	10 A	-	10 A	10 A	-	10 A
<b>Approvals per</b>									
Use Group	CSA			CSA			CSA		
Rated voltage	300 V	-	300 V	300 V	-	300 V	300 V	-	300 V
Rated current	10 A	-	10 A	10 A	-	10 A	10 A	-	10 A

Between the decks									
Ratings according to 2	IEC/EN 60664-1			IEC/EN 60664-1			IEC/EN 60664-1		
Overtoltage category	III	III	II	III	III	II	III	III	II
Pollution degree	3	2	2	3	2	2	3	2	2
Rated voltage	320 V	320 V	630 V	320 V	320 V	630 V	320 V	320 V	630 V
Rated impulse voltage	4 kV	4 kV	4 kV	4 kV	4 kV	4 kV	4 kV	4 kV	4 kV
Rated current	21 A	21 A	21 A	21 A	21 A	21 A	21 A	21 A	21 A

Connection Data	
Connection technology	CAGE CLAMP®
Strip length	5 ... 6 mm / 0.2 ... 0.24 inch
Conductor entry angle to the PCB	45°
Solid conductor	0.08 ... 2.5 mm <sup>2</sup> / 28 ... 12 AWG
Fine-stranded conductor	0.08 ... 2.5 mm <sup>2</sup> / 28 ... 12 AWG
Fine-stranded conductor with ferrule with plastic collar	0.25 ... 1.5 mm <sup>2</sup>
Fine-stranded conductor with ferrule without plastic collar	0.25 ... 2.5 mm <sup>2</sup>
Note (conductor cross-section)	12 AWG: THHN, THWN

Material Data	
Material group	I
Insulating material	Polyamide 66 (PA 66)
Flammability class per UL94	V0
Clamping spring material	Chrome nickel spring steel (CrNi)
Contact material	Electrolytic copper (Ecu)
Contact plating	Tin-plated

Mechanical Data	
Solder pin length	4 mm
Solder pin dimensions	0.7 x 0.7 mm
Drilled hole diameter (tolerance)	1.3 <sup>(+0.1)</sup> mm

Environmental Requirements	
Limit temperature range	-60 ... +105 °C

Ferrule	Page 847
Marking	Page 833
Testing and measuring	Page 254
Tools	Page 838
Commoning strips	Page 248
Additional information, see "Technical Section"	
Approvals and corresponding ratings, visit <a href="http://www.wago.com">www.wago.com</a>	

# Triple-Deck PCB Terminal Block ▶ 737 Series

CAGE CLAMP® ▶ Actuation type: Operating tool ▶ Terminal strip ▶ 2.5 mm<sup>2</sup> ▶ Color: gray

Pin spacing: 5 mm (0.197 inch)

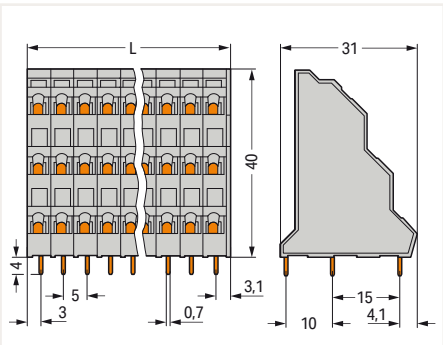
Solder pin arrangement within the terminal block, in line

Solder pin arrangement within the terminal block, staggered

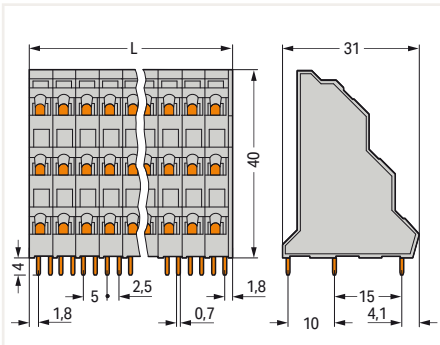


Pole No.	Item No.	PU
2	737-102	92
3	737-103	64
4	737-104	48
6	737-106	32
8	737-108	24
12	737-112	16
16	737-116	12
24	737-124	8

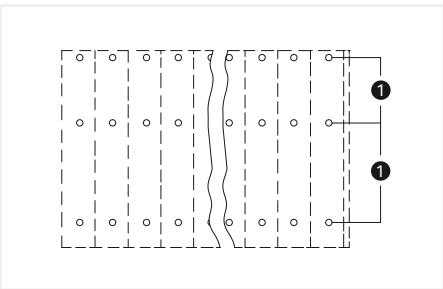
Pole No.	Item No.	PU
2	737-202	92
3	737-203	64
4	737-204	48
6	737-206	32
8	737-208	24
12	737-212	16
16	737-216	12
24	737-224	8



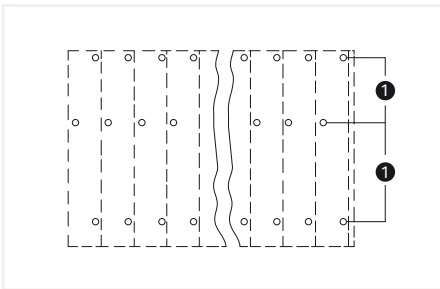
L = (pole no. x pin spacing) + 1 mm



L = (pole no. x pin spacing) + 1 mm



(1) Solder pins in a row



(1) Solder pin for deck 2, staggered by half a pin spacing

PU = Packaging Unit; SPU = Subpackaging Unit; Dimensions in mm

Other variants can be requested via the WAGO sales department or, if necessary, configured at <https://configurator.wago.com/>:

- Other pole numbers
- Other colors
- Mixed-color terminal strips
- Direct marking

# Triple-Deck PCB Terminal Block ▶ 737 Series

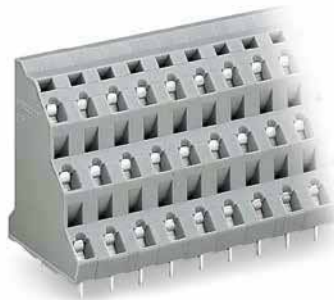
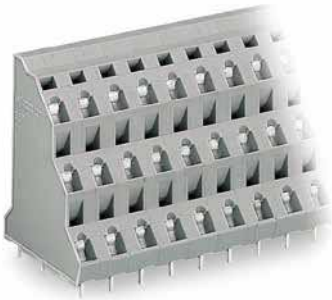
CAGE CLAMP® ▶ Actuation type: Operating tool ▶ Terminal strip ▶ 2.5 mm<sup>2</sup> ▶ Color: gray

Pin spacing: 7.5 mm (0.295 inch)

Solder pin arrangement within the terminal block, in line

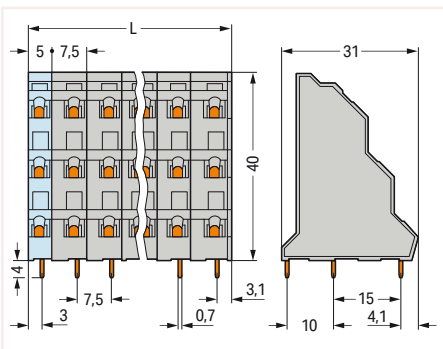
Solder pin arrangement within the terminal block, staggered

1

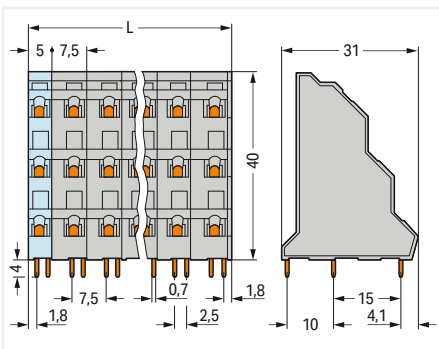


Pole No.	Item No.	PU
2	737-502	76
3	737-503	48
4	737-504	36
6	737-506	24
8	737-508	16
12	737-512	8
16	737-516	8

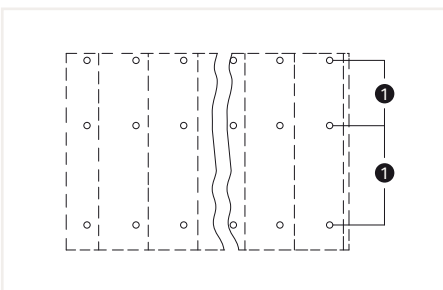
Pole No.	Item No.	PU
2	737-552	76
3	737-553	48
4	737-554	36
6	737-556	24
8	737-558	16
12	737-562	8
16	737-566	8



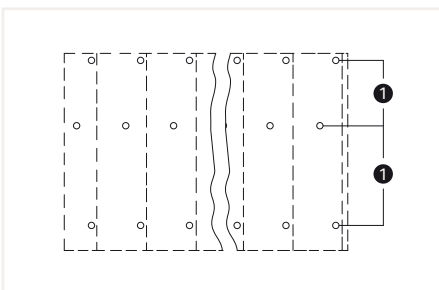
$L = (\text{pole no.} - 1) \times \text{pin spacing} + 5 \text{ mm} + 1 \text{ mm}$



$L = (\text{pole no.} - 1) \times \text{pin spacing} + 5 \text{ mm} + 1 \text{ mm}$



(1) Solder pins in a row



(1) Solder pin for deck 2, staggered by half a pin spacing

PU = Packaging Unit; SPU = Subpackaging Unit; Dimensions in mm

Other variants can be requested via the WAGO sales department or, if necessary, configured at <https://configurator.wago.com/>:

- Other pole numbers
- Other colors
- Mixed-color terminal strips
- Direct marking

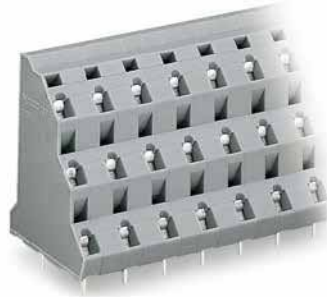
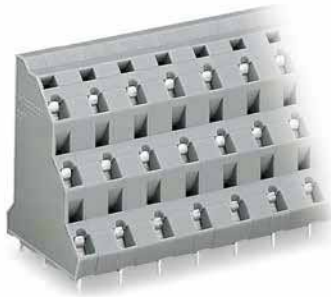
# Triple-Deck PCB Terminal Block ▶ 737 Series

CAGE CLAMP® ▶ Actuation type: Operating tool ▶ Terminal strip ▶ 2.5 mm<sup>2</sup> ▶ Color: gray

Pin spacing: 10 mm (0.394 inch)

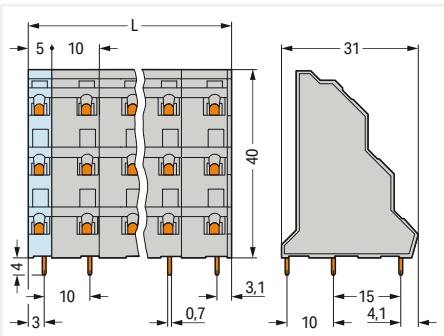
Solder pin arrangement within the terminal block, in line

Solder pin arrangement within the terminal block, staggered

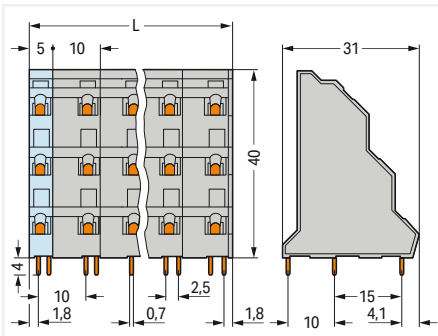


Pole No.	Item No.	PU
2	737-702	64
3	737-703	40
4	737-704	28
6	737-706	16
8	737-708	12
12	737-712	8

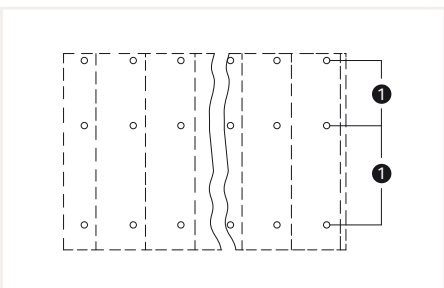
Pole No.	Item No.	PU
2	737-752	64
3	737-753	40
4	737-754	28
6	737-756	16
8	737-758	12
12	737-762	8



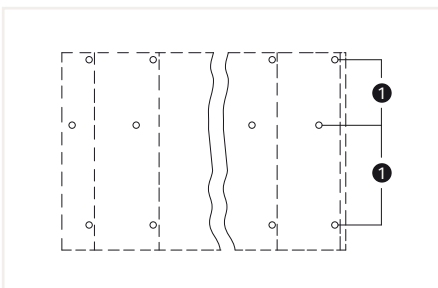
$L = (\text{pole no.} - 1) \times \text{pin spacing} + 5 \text{ mm} + 1 \text{ mm}$



$L = (\text{pole no.} - 1) \times \text{pin spacing} + 5 \text{ mm} + 1 \text{ mm}$



(1) Solder pins in a row



(1) Solder pin for deck 2, staggered by half a pin spacing

PU = Packaging Unit; SPU = Subpackaging Unit; Dimensions in mm

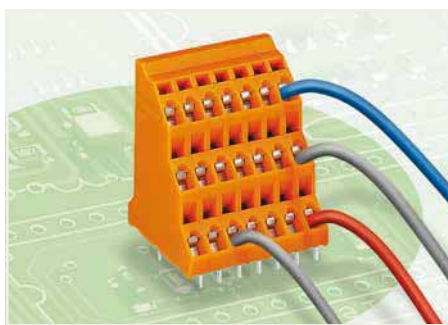
Other variants can be requested via the WAGO sales department or, if necessary, configured at <https://configurator.wago.com/>:

- Other pole numbers
- Other colors
- Mixed-color terminal strips
- Direct marking

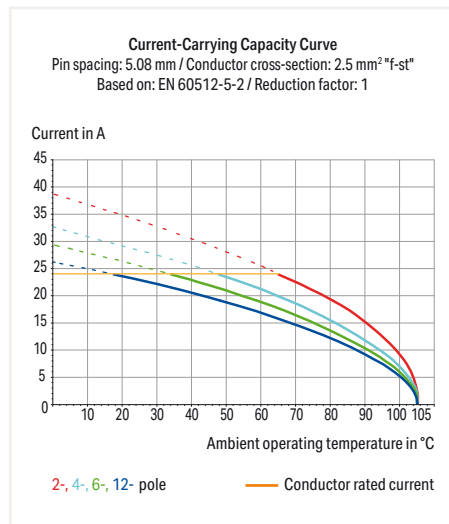
## Triple-Deck PCB Terminal Block ▶ 737 Series

CAGE CLAMP® ▶ Actuation type: Operating tool ▶ Terminal strip ▶ 2.5 mm<sup>2</sup> ▶ Color: orange

1



- PCB terminal strips with screwdriver-actuated CAGE CLAMP®
- High-density, double-Deck design for space-efficient wiring of multiple conductors in confined areas
- Custom marking for all termination levels



Electrical Data									
Pin spacing	5.08 mm (0.2 inch)			7.62 mm (0.3 inch)			10.16 mm (0.4 inch)		
<b>Between the modules</b>									
Ratings per	IEC/EN 60664-1			IEC/EN 60664-1			IEC/EN 60664-1		
Overtoltage category	III	III	II	III	III	II	III	III	II
Pollution degree	3	2	2	3	2	2	3	2	2
Rated voltage	250 V	320 V	630 V	400 V	630 V	1000 V	630 V	1000 V	1000 V
Rated impulse voltage	4 kV	4 kV	4 kV	6 kV	6 kV	6 kV	8 kV	8 kV	8 kV
Rated current	21 A	21 A	21 A	21 A	21 A	21 A	21 A	21 A	21 A
<b>Approvals per</b>									
Use Group	UL 1059			UL 1059			UL 1059		
Rated voltage	300 V	-	300 V	300 V	-	300 V	300 V	-	300 V
Rated current	10 A	-	10 A	10 A	-	10 A	10 A	-	10 A
<b>Approvals per</b>									
Use Group	CSA			CSA			CSA		
Rated voltage	300 V	-	300 V	300 V	-	300 V	300 V	-	300 V
Rated current	10 A	-	10 A	10 A	-	10 A	10 A	-	10 A

<b>Between the decks</b>									
Ratings according to 2	IEC/EN 60664-1			IEC/EN 60664-1			IEC/EN 60664-1		
Overtoltage category	III	III	II	III	III	II	III	III	II
Pollution degree	3	2	2	3	2	2	3	2	2
Rated voltage	320 V	320 V	630 V	320 V	320 V	630 V	320 V	320 V	630 V
Rated impulse voltage	4 kV	4 kV	4 kV	4 kV	4 kV	4 kV	4 kV	4 kV	4 kV
Rated current	21 A	21 A	21 A	21 A	21 A	21 A	21 A	21 A	21 A

Connection Data	
Connection technology	CAGE CLAMP®
Strip length	5 ... 6 mm / 0.2 ... 0.24 inch
Conductor entry angle to the PCB	45°
Solid conductor	0.08 ... 2.5 mm <sup>2</sup> / 28 ... 12 AWG
Fine-stranded conductor	0.08 ... 2.5 mm <sup>2</sup> / 28 ... 12 AWG
Fine-stranded conductor with ferrule with plastic collar	0.25 ... 1.5 mm <sup>2</sup>
Fine-stranded conductor with ferrule without plastic collar	0.25 ... 2.5 mm <sup>2</sup>
Note (conductor cross-section)	12 AWG: THHN, THWN

Material Data	
Material group	I
Insulating material	Polyamide 66 (PA 66)
Flammability class per UL94	V0
Clamping spring material	Chrome nickel spring steel (CrNi)
Contact material	Electrolytic copper (Ecu)
Contact plating	Tin-plated

Mechanical Data	
Solder pin length	4 mm
Solder pin dimensions	0.7 x 0.7 mm
Drilled hole diameter (tolerance)	1.3 <sup>(+0.1)</sup> mm

Environmental Requirements	
Limit temperature range	-60 ... +105 °C

Ferrule	Page 847
Marking	Page 833
Testing and measuring	Page 254
Tools	Page 838
Commoning strips	Page 248
Additional information, see "Technical Section"	
Approvals and corresponding ratings, visit <a href="http://www.wago.com">www.wago.com</a>	

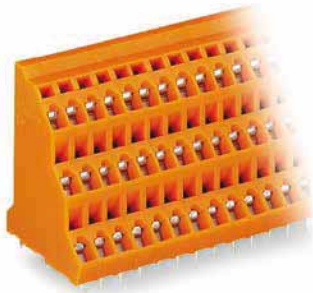
# Triple-Deck PCB Terminal Block ▶ 737 Series

## CAGE CLAMP® ▶ Actuation type: Operating tool ▶ Terminal strip ▶ 2.5 mm<sup>2</sup> ▶ Color: orange

Pin spacing: 5.08 mm (0.2 inch)

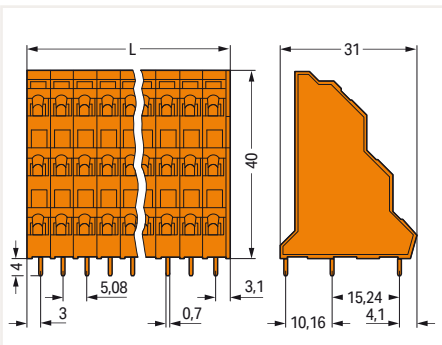
Solder pin arrangement within the terminal block, in line

Solder pin arrangement within the terminal block, staggered

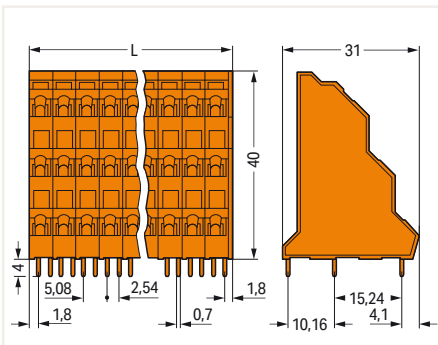


Pole No.	Item No.	PU
2	737-302	92
3	737-303	64
4	737-304	48
6	737-306	32
8	737-308	24
12	737-312	16
16	737-316	12
24	737-324	8

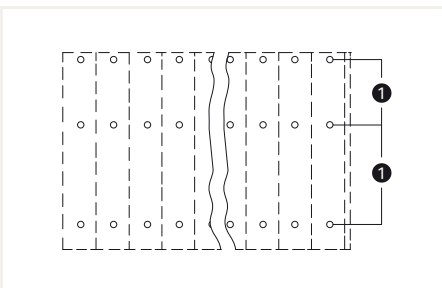
Pole No.	Item No.	PU
2	737-402	96
3	737-403	64
4	737-404	48
6	737-406	32
8	737-408	24
12	737-412	16
16	737-416	12
24	737-424	8



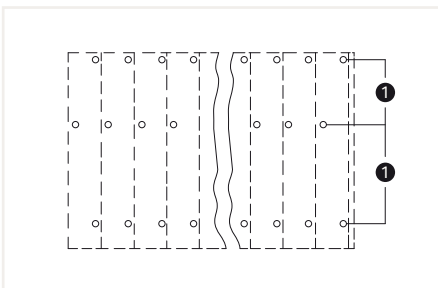
L = (pole no. x pin spacing) + 1 mm



L = (pole no. x pin spacing) + 1 mm



(1) Solder pins in a row



(1) Solder pin for deck 2, staggered by half a pin spacing

PU = Packaging Unit; SPU = Subpackaging Unit; Dimensions in mm

Other variants can be requested via the WAGO sales department or, if necessary, configured at <https://configurator.wago.com/>:

- Other pole numbers
- Other colors
- Mixed-color terminal strips
- Direct marking

# Triple-Deck PCB Terminal Block ▶ 737 Series

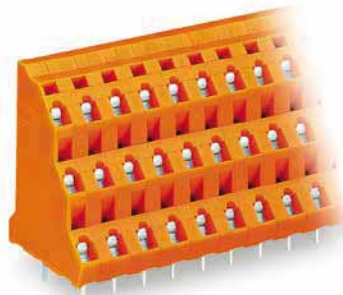
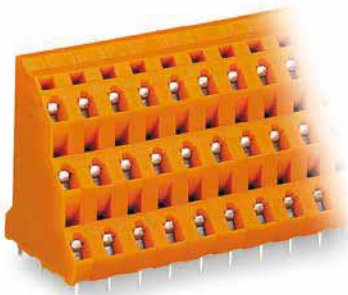
## CAGE CLAMP® ▶ Actuation type: Operating tool ▶ Terminal strip ▶ 2.5 mm<sup>2</sup> ▶ Color: orange

Pin spacing: 7.62 mm (0.3 inch)

Solder pin arrangement within the terminal block, in line

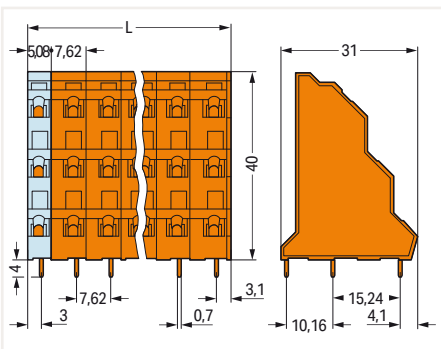
Solder pin arrangement within the terminal block, staggered

1

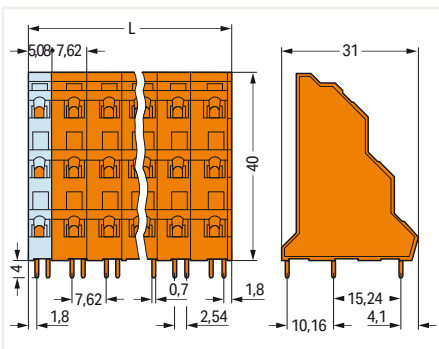


Pole No.	Item No.	PU
2	737-602	76
3	737-603	48
4	737-604	36
6	737-606	20
8	737-608	16
12	737-612	8
16	737-616	8

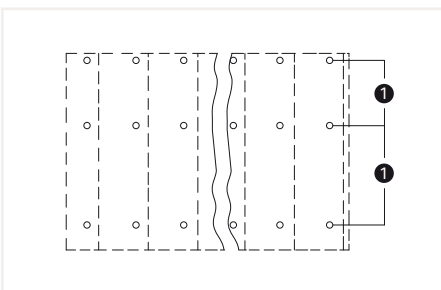
Pole No.	Item No.	PU
2	737-652	76
3	737-653	48
4	737-654	36
6	737-656	20
8	737-658	16
12	737-662	8
16	737-666	8



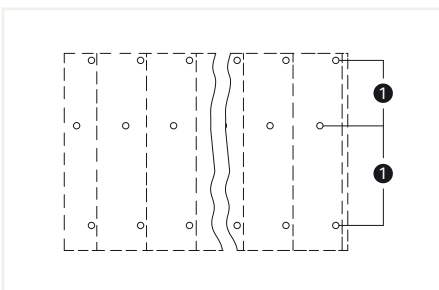
$$L = (\text{pole no.} - 1) \times \text{pin spacing} + 5.08 \text{ mm} + 1 \text{ mm}$$



$$L = (\text{pole no.} - 1) \times \text{pin spacing} + 5.08 \text{ mm} + 1 \text{ mm}$$



(1) Solder pins in a row



(1) Solder pin for deck 2, staggered by half a pin spacing

PU = Packaging Unit; SPU = Subpackaging Unit; Dimensions in mm

Other variants can be requested via the WAGO sales department or, if necessary, configured at <https://configurator.wago.com/>:

- Other pole numbers
- Other colors
- Mixed-color terminal strips
- Direct marking



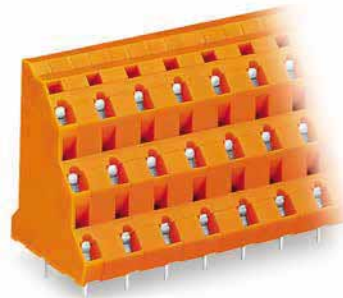
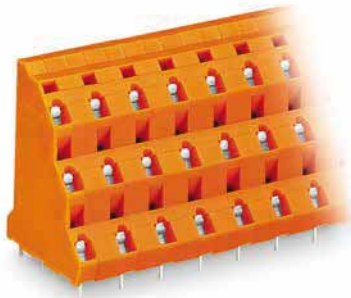
# Triple-Deck PCB Terminal Block ▶ 737 Series

## CAGE CLAMP® ▶ Actuation type: Operating tool ▶ Terminal strip ▶ 2.5 mm<sup>2</sup> ▶ Color: orange

Pin spacing: 10.16 mm (0.4 inch)

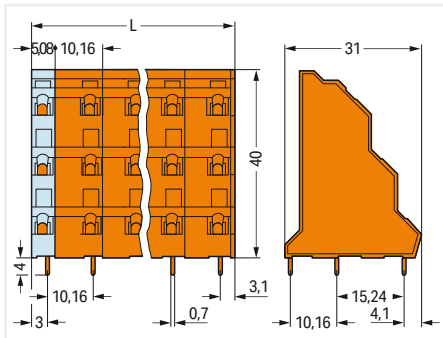
Solder pin arrangement within the terminal block, in line

Solder pin arrangement within the terminal block, staggered

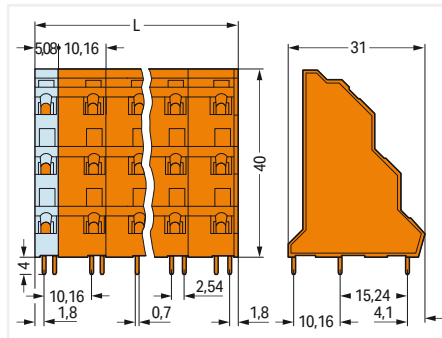


Pole No.	Item No.	PU
2	737-802	64
3	737-803	40
4	737-804	28
6	737-806	16
8	737-808	12
12	737-812	8

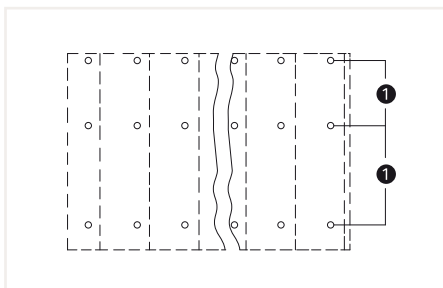
Pole No.	Item No.	PU
2	737-852	64
3	737-853	40
4	737-854	28
6	737-856	16
8	737-858	12
12	737-862	8



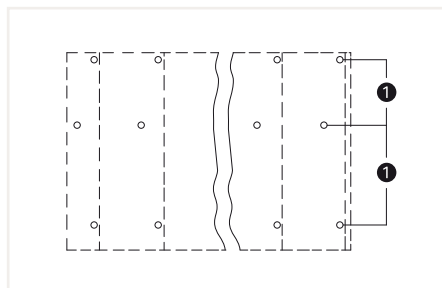
$L = (\text{pole no.} - 1) \times \text{pin spacing} + 5.08 \text{ mm} + 1 \text{ mm}$



$L = (\text{pole no.} - 1) \times \text{pin spacing} + 5.08 \text{ mm} + 1 \text{ mm}$



(1) Solder pins in a row



(1) Solder pin for deck 2, staggered by half a pin spacing

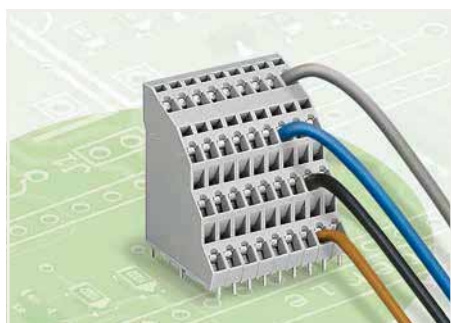
PU = Packaging Unit; SPU = Subpackaging Unit; Dimensions in mm

Other variants can be requested via the WAGO sales department or, if necessary, configured at <https://configurator.wago.com/>:

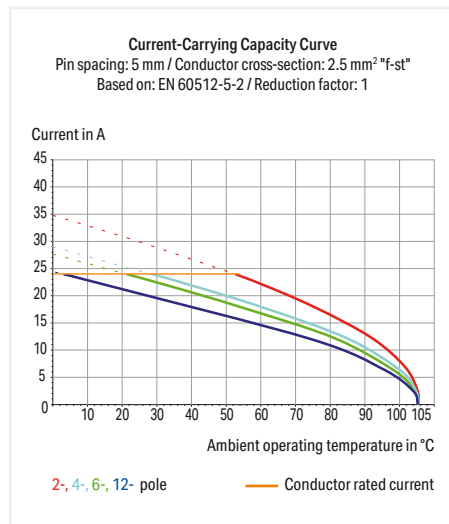
- Other pole numbers
- Other colors
- Mixed-color terminal strips
- Direct marking

## Quadruple-Deck PCB Terminal Block ▶ 738 Series

CAGE CLAMP® ▶ Actuation type: Operating tool ▶ Terminal strip ▶ 2.5 mm<sup>2</sup> ▶ Pin spacing: 5 mm (0.197 inch) ▶ Color: gray



- PCB terminal strips with screwdriver-actuated CAGE CLAMP®
- High-density, double-Deck design for space-efficient wiring of multiple conductors in confined areas
- Angled conductor entry and CAGE CLAMP® actuation streamline operation
- Custom marking for all termination levels



Electrical Data			
Pin spacing	5 mm (0.197 inch)		
<b>Between the modules</b>			
Ratings per	IEC/EN 60664-1		
Overvoltage category	III	III	II
Pollution degree	3	2	2
Rated voltage	250 V	320 V	630 V
Rated impulse voltage	4 kV	4 kV	4 kV
Rated current	18 A	18 A	18 A
<b>Approvals per</b>			
Use Group	B	C	D
Rated voltage	300 V	-	300 V
Rated current	10 A	-	10 A
<b>Approvals per</b>			
Use Group	B	C	D
Rated voltage	300 V	-	300 V
Rated current	10 A	-	10 A

Between the decks			
Ratings according to 2	IEC/EN 60664-1		
Overvoltage category	III	III	II
Pollution degree	3	2	2
Rated voltage	320 V	320 V	630 V
Rated impulse voltage	4 kV	4 kV	4 kV
Rated current	18 A	18 A	18 A

Connection Data	
Connection technology	CAGE CLAMP®
Strip length	5 ... 6 mm / 0.2 ... 0.24 inch
Conductor entry angle to the PCB	45°
Solid conductor	0.08 ... 2.5 mm <sup>2</sup> / 28 ... 12 AWG
Fine-stranded conductor	0.08 ... 2.5 mm <sup>2</sup> / 28 ... 12 AWG
Fine-stranded conductor with ferrule with plastic collar	0.25 ... 1.5 mm <sup>2</sup>
Fine-stranded conductor with ferrule without plastic collar	0.25 ... 2.5 mm <sup>2</sup>
Note (conductor cross-section)	12 AWG: THHN, THWN

Material Data	
Material group	I
Insulating material	Polyamide 66 (PA 66)
Flammability class per UL94	V0
Clamping spring material	Chrome nickel spring steel (CrNi)
Contact material	Electrolytic copper (Ecu)
Contact plating	Tin-plated

Mechanical Data	
Solder pin length	4 mm
Solder pin dimensions	0.7 x 0.7 mm
Drilled hole diameter (tolerance)	1.3 <sup>(+0.1)</sup> mm

Environmental Requirements	
Limit temperature range	-60 ... +105 °C

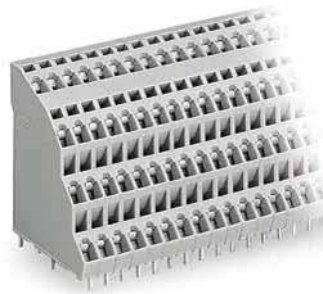
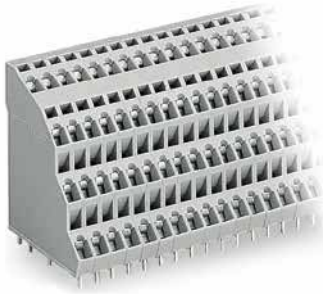
Ferrule	Page 847
Marking	Page 833
Testing and measuring	Page 254
Tools	Page 838
Commoning strips	Page 248
Additional information, see "Technical Section"	
Approvals and corresponding ratings, visit <a href="http://www.wago.com">www.wago.com</a>	

# Quadruple-Deck PCB Terminal Block ▶ 738 Series

CAGE CLAMP® ▶ Actuation type: Operating tool ▶ Terminal strip ▶ 2.5 mm<sup>2</sup> ▶ Pin spacing: 5 mm (0.197 inch) ▶ Color: gray

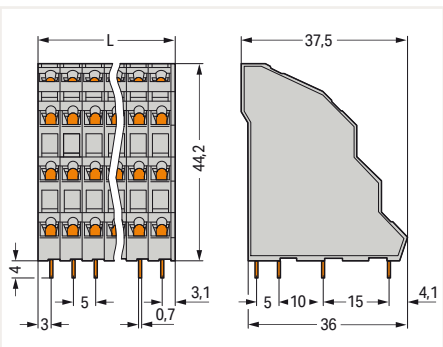
Solder pin arrangement within the terminal block, in line

Solder pin arrangement within the terminal block, staggered

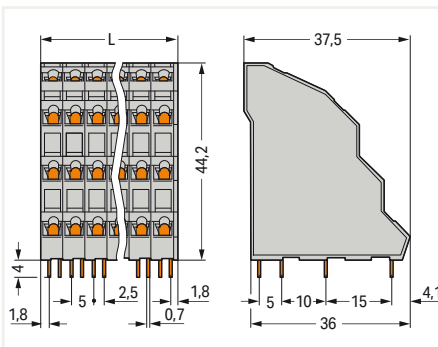


Pole No.	Item No.	PU
2	738-102	72
3	738-103	48
4	738-104	36
6	738-106	24
8	738-108	18
12	738-112	12
16	738-116	9
24	738-124	6

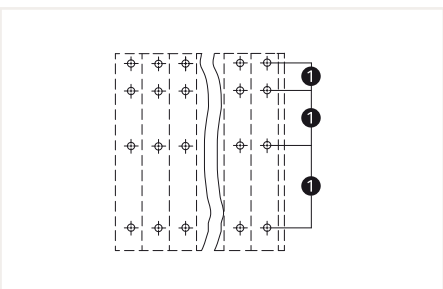
Pole No.	Item No.	PU
2	738-202	72
3	738-203	48
4	738-204	36
6	738-206	24
8	738-208	18
12	738-212	12
16	738-216	9
24	738-224	6



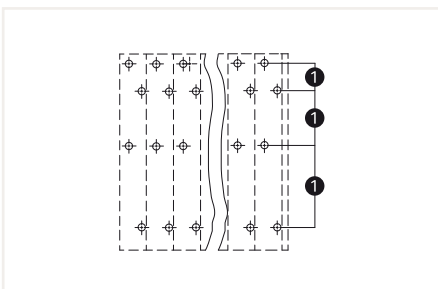
L = (pole no. x pin spacing) + 1 mm



L = (pole no. x pin spacing) + 1 mm



(1) Solder pins in a row



(1) Solder pin for deck 2 an 4, staggered by half a pin spacing

PU = Packaging Unit; SPU = Subpackaging Unit; Dimensions in mm

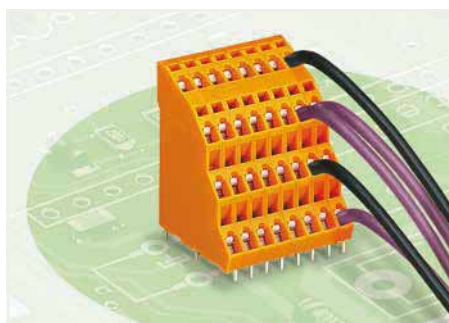
Other variants can be requested via the WAGO sales department or, if necessary, configured at <https://configurator.wago.com/>:

- Other pole numbers
- Other colors
- Mixed-color terminal strips
- Direct marking

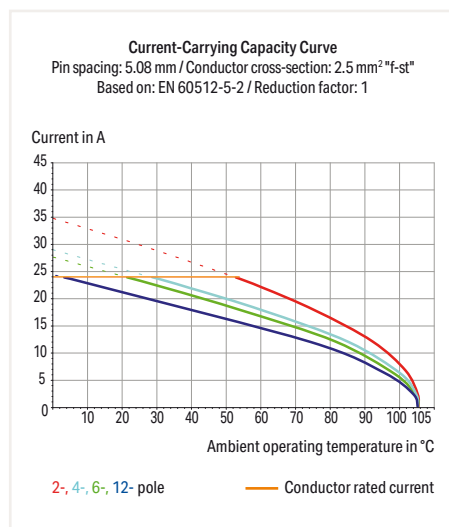
## Quadruple-Deck PCB Terminal Block ▶ 738 Series

CAGE CLAMP® ▶ Actuation type: Operating tool ▶ Terminal strip ▶ 2.5 mm<sup>2</sup> ▶ Pin spacing: 5.08 mm (0.2 inch) ▶ Color: orange

1



- PCB terminal strips with screwdriver-actuated CAGE CLAMP®
- High-density, double-Deck design for space-efficient wiring of multiple conductors in confined areas
- Angled conductor entry and CAGE CLAMP® actuation streamline operation
- Custom marking for all termination levels



Electrical Data			
Pin spacing	5.08 mm (0.2 inch)		
<b>Between the modules</b>			
Ratings per	IEC/EN 60664-1		
Overvoltage category	III	III	II
Pollution degree	3	2	2
Rated voltage	250 V	320 V	630 V
Rated impulse voltage	4 kV	4 kV	4 kV
Rated current	18 A	18 A	18 A
<b>Approvals per</b>			
Use Group	B	C	D
Rated voltage	300 V	-	300 V
Rated current	10 A	-	10 A
<b>Approvals per</b>			
Use Group	B	C	D
Rated voltage	300 V	-	300 V
Rated current	10 A	-	10 A

Between the decks			
Ratings according to 2	IEC/EN 60664-1		
Overvoltage category	III	III	II
Pollution degree	3	2	2
Rated voltage	320 V	320 V	630 V
Rated impulse voltage	4 kV	4 kV	4 kV
Rated current	18 A	18 A	18 A

Connection Data	
Connection technology	CAGE CLAMP®
Strip length	5 ... 6 mm / 0.2 ... 0.24 inch
Conductor entry angle to the PCB	45°
Solid conductor	0.08 ... 2.5 mm <sup>2</sup> / 28 ... 12 AWG
Fine-stranded conductor	0.08 ... 2.5 mm <sup>2</sup> / 28 ... 12 AWG
Fine-stranded conductor with ferrule with plastic collar	0.25 ... 1.5 mm <sup>2</sup>
Fine-stranded conductor with ferrule without plastic collar	0.25 ... 2.5 mm <sup>2</sup>
Note (conductor cross-section)	12 AWG: THHN, THWN

Material Data	
Material group	I
Insulating material	Polyamide 66 (PA 66)
Flammability class per UL94	V0
Clamping spring material	Chrome nickel spring steel (CrNi)
Contact material	Electrolytic copper (Ecu)
Contact plating	Tin-plated

Mechanical Data	
Solder pin length	4 mm
Solder pin dimensions	0.7 x 0.7 mm
Drilled hole diameter (tolerance)	1.3 <sup>(+0.1)</sup> mm

Environmental Requirements	
Limit temperature range	-60 ... +105 °C

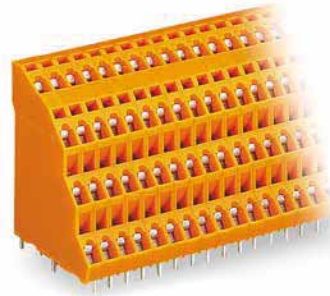
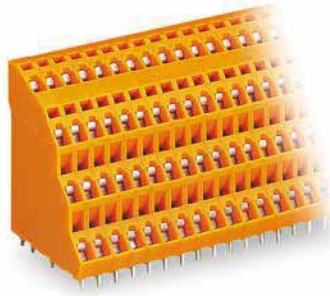
Ferrule	Page 847
Marking	Page 833
Testing and measuring	Page 254
Tools	Page 838
Commoning strips	Page 248
Additional information, see "Technical Section"	
Approvals and corresponding ratings, visit <a href="http://www.wago.com">www.wago.com</a>	

# Quadruple-Deck PCB Terminal Block ▶ 738 Series

CAGE CLAMP® ▶ Actuation type: Operating tool ▶ Terminal strip ▶ 2.5 mm<sup>2</sup> ▶ Pin spacing: 5.08 mm (0.2 inch) ▶ Color: orange

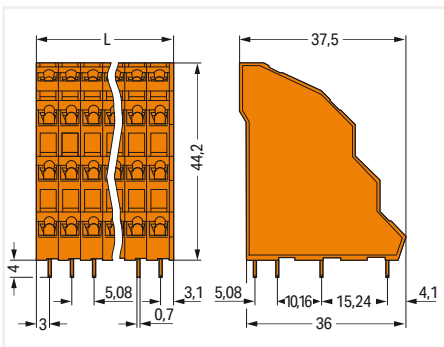
Solder pin arrangement within the terminal block, in line

Solder pin arrangement within the terminal block, staggered

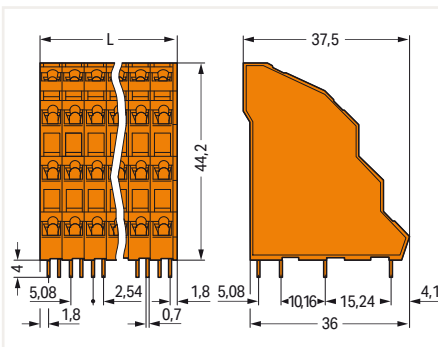


Pole No.	Item No.	PU
2	738-302	69
3	738-303	48
4	738-304	36
6	738-306	24
8	738-308	18
12	738-312	12
16	738-316	9
24	738-324	6

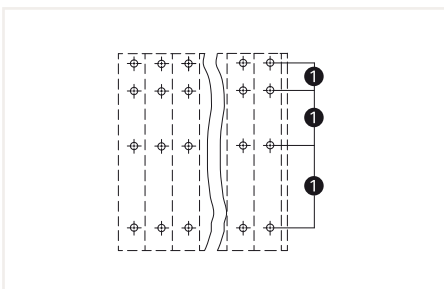
Pole No.	Item No.	PU
2	738-402	69
3	738-403	48
4	738-404	36
6	738-406	24
8	738-408	18
12	738-412	12
16	738-416	9
24	738-424	6



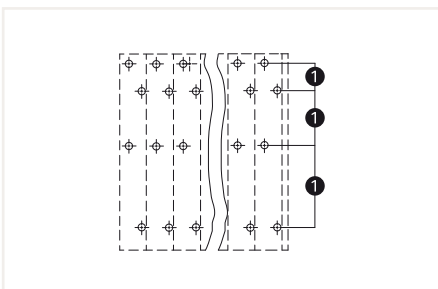
L = (pole no. x pin spacing) + 1 mm



L = (pole no. x pin spacing) + 1 mm



(1) Lötstifte in Reihe



(1) Lötstifte für Stockwerk 2 und 4 um das halbe Rastermaß versetzt

PU = Packaging Unit; SPU = Subpackaging Unit; Dimensions in mm

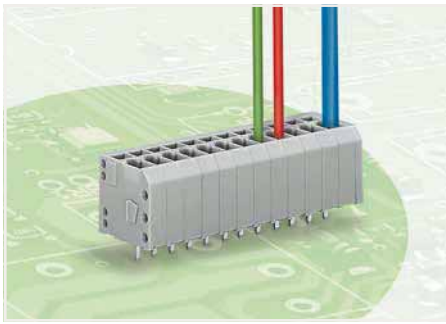
Other variants can be requested via the WAGO sales department or, if necessary, configured at <https://configurator.wago.com/>:

- Other pole numbers
- Other colors
- Mixed-color terminal strips
- Direct marking

## PCB Terminal Block ▶ 739 Series

CAGE CLAMP® ▶ Actuation type: Operating tool ▶ Terminal strip ▶ 1.5 mm<sup>2</sup> ▶ Pin spacing: 3.5 mm (0.138 inch) ▶ Color: gray

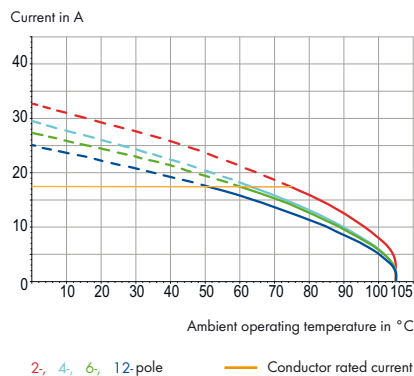
1



- PCB terminal strips with screwdriver-actuated CAGE CLAMP®
- Vertical conductor entry and operating direction for space-saving positioning/grouping

### Current-Carrying Capacity Curve

Pin spacing: 3.5 mm / Conductor cross-section: 1.5 mm<sup>2</sup> "fst"  
Based on: EN 60512-5-2 / Reduction factor: 1



### Electrical Data

Pin spacing	3.5 mm (0.138 inch)		
Ratings per	IEC/EN 60664-1		
Overvoltage category	III	III	II
Pollution degree	3	2	2
Rated voltage	160 V	160 V	320 V
Rated impulse voltage	2.5 kV	2.5 kV	2.5 kV
Rated current	17.5 A	17.5 A	17.5 A
Approvals per	UL 1059		
Use Group	B	C	D
Rated voltage	300 V	-	300 V
Rated current	15 A	-	10 A

### Connection Data

Connection technology	CAGE CLAMP®
Strip length	5 ... 6 mm / 0.2 ... 0.24 inch
Conductor entry angle to the PCB	90°
Solid conductor	0.08 ... 1.5 mm <sup>2</sup> / 28 ... 14 AWG
Fine-stranded conductor	0.08 ... 1.5 mm <sup>2</sup> / 28 ... 14 AWG
Fine-stranded conductor with ferrule with plastic collar	0.25 ... 1 mm <sup>2</sup>
Fine-stranded conductor with ferrule without plastic collar	0.25 ... 1.5 mm <sup>2</sup>
Note (conductor cross-section)	14 AWG: THHN, THWN

### Material Data

Material group	I
Insulating material	Polyamide 66 (PA 66)
Flammability class per UL94	V0
Clamping spring material	Chrome nickel spring steel (CrNi)
Contact material	Electrolytic copper (Ecu)
Contact plating	Tin-plated

### Mechanical Data

Solder pin arrangement	Over the entire terminal strip, in line
Solder pin length	3.4 mm
Solder pin dimensions	0.6 x 0.8 mm
Drilled hole diameter (tolerance)	1.1 <sup>(+0.1)</sup> mm

### Environmental Requirements

Limit temperature range	-60 ... +105 °C
-------------------------	-----------------

Ferrule Page 847

Marking Page 832

Tools Page 838

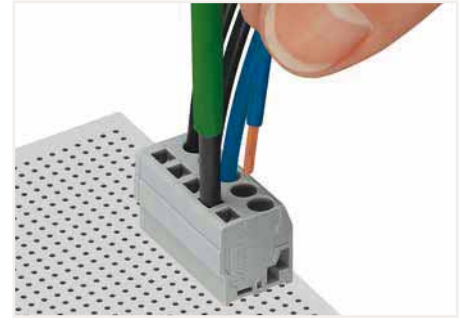
Additional information, see "Technical Section"

Approvals and corresponding ratings, visit [www.wago.com](http://www.wago.com)

### PCB Terminal Block ▶ 739 Series

CAGE CLAMP® ▶ Actuation type: Operating tool ▶ Terminal strip ▶ 1.5 mm<sup>2</sup> ▶ Pin spacing: 3.5 mm (0.138 inch) ▶ Color: gray

Mounting type: Mounting flange

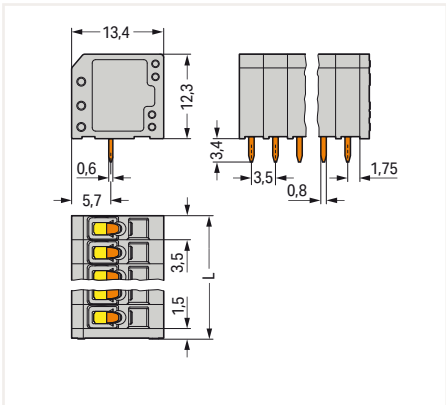


Inserting a conductor parallel to screwdriver actuation – 739 Series.

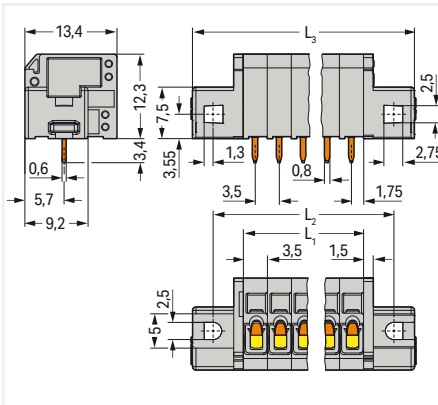
1

Pole No.	Item No.	PU (SPU)
2	739-302	560 (140)
3	739-303	400 (100)
4	739-304	300 (75)
5	739-305	240 (60)
6	739-306	200 (50)
7	739-307	180 (45)
8	739-308	160 (40)
9	739-309	140 (35)
10	739-310	120 (30)
12	739-312	100 (25)

Pole No.	Item No.	PU (SPU)
2	739-302/001-000	200 (50)
3	739-303/001-000	180 (45)
4	739-304/001-000	140 (35)
5	739-305/001-000	140 (35)
6	739-306/001-000	120 (30)
7	739-307/001-000	180 (45)
8	739-308/001-000	100 (25)
9	739-309/001-000	80 (20)
10	739-310/001-000	80 (20)
12	739-312/001-000	80 (20)



$L = (\text{pole no.} \times \text{pin spacing}) + 1.5 \text{ mm}$



$L_1 = \text{pole no.} \times \text{pin spacing}$   
 $L_2 = L_1 + 8.8 \text{ mm}$   
 $L_3 = L_1 + 14.8 \text{ mm}$

PU = Packaging Unit; SPU = Subpackaging Unit; Dimensions in mm

Other variants can be requested via the WAGO sales department or, if necessary, configured at <https://configurator.wago.com/>:

- Other pole numbers
- Other colors
- Mixed-color terminal strips
- Direct marking

## PCB Terminal Block ▶ 739 Series

CAGE CLAMP® ▶ Actuation type: Operating tool ▶ Terminal strip ▶ 1.5 mm<sup>2</sup> ▶ Pin spacing: 3.81 mm (0.15 inch) ▶ Color: orange

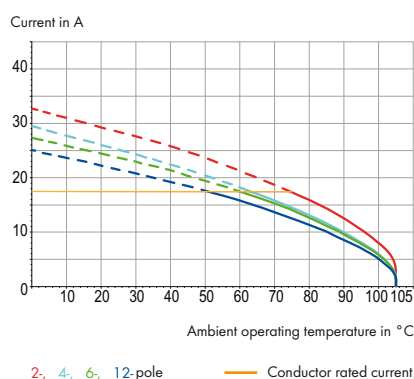
1



- PCB terminal strips with screwdriver-actuated CAGE CLAMP®
- Vertical conductor entry and operating direction for space-saving positioning/grouping

### Current-Carrying Capacity Curve

Pin spacing: 3.5 mm / Conductor cross-section: 1.5 mm<sup>2</sup> "fst"  
Based on: EN 60512-5-2 / Reduction factor: 1



### Electrical Data

Pin spacing	3.81 mm (0.15 inch)		
Ratings per	IEC/EN 60664-1		
Overvoltage category	III	III	II
Pollution degree	3	2	2
Rated voltage	200 V	320 V	500 V
Rated impulse voltage	4 kV	4 kV	4 kV
Rated current	17.5 A	17.5 A	17.5 A
Approvals per	UL 1059		
Use Group	B	C	D
Rated voltage	300 V	-	300 V
Rated current	15 A	-	10 A

### Connection Data

Connection technology	CAGE CLAMP®
Strip length	5 ... 6 mm / 0.2 ... 0.24 inch
Conductor entry angle to the PCB	90°
Solid conductor	0.08 ... 1.5 mm <sup>2</sup> / 28 ... 14 AWG
Fine-stranded conductor	0.08 ... 1.5 mm <sup>2</sup> / 28 ... 14 AWG
Fine-stranded conductor with ferrule with plastic collar	0.25 ... 1 mm <sup>2</sup>
Fine-stranded conductor with ferrule without plastic collar	0.25 ... 1.5 mm <sup>2</sup>
Note (conductor cross-section)	14 AWG: THHN, THWN

### Material Data

Material group	I
Insulating material	Polyamide 66 (PA 66)
Flammability class per UL94	V0
Clamping spring material	Chrome nickel spring steel (CrNi)
Contact material	Electrolytic copper (Ecu)
Contact plating	Tin-plated

### Mechanical Data

Solder pin arrangement	Over the entire terminal strip, in line
Solder pin length	3.4 mm
Solder pin dimensions	0.6 x 0.8 mm
Drilled hole diameter (tolerance)	1.1 <sup>(+0.1)</sup> mm

### Environmental Requirements

Limit temperature range	-60 ... +105 °C
-------------------------	-----------------

Ferrule Page 847

Marking Page 832

Tools Page 838

Additional information, see "Technical Section"

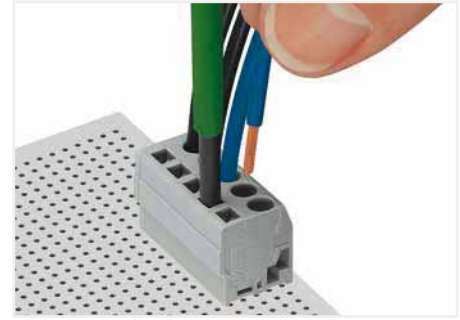
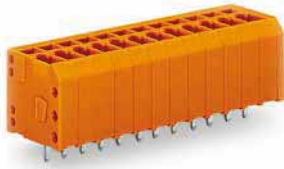
Approvals and corresponding ratings, visit [www.wago.com](http://www.wago.com)



## PCB Terminal Block ▶ 739 Series

CAGE CLAMP® ▶ Actuation type: Operating tool ▶ Terminal strip ▶ 1.5 mm<sup>2</sup> ▶ Pin spacing: 3.81 mm (0.15 inch) ▶ Color: orange

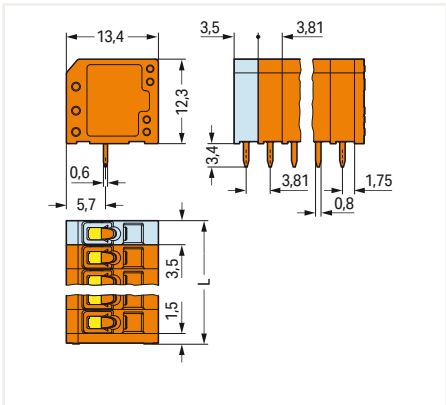
Mounting type: Mounting flange



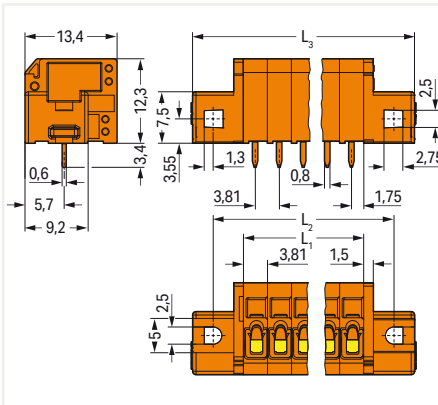
Inserting a conductor parallel to screwdriver actuation – 739 Series.

Pole No.	Item No.	PU (SPU)
2	739-332	520 (130)
3	739-333	360 (90)
4	739-334	280 (70)
5	739-335	220 (55)
6	739-336	180 (45)
7	739-337	160 (40)
8	739-338	140 (35)
9	739-339	120 (30)
10	739-340	120 (30)
12	739-342	100 (25)

Pole No.	Item No.	PU (SPU)
2	739-332/001-000	200 (50)
3	739-333/001-000	180 (45)
4	739-334/001-000	140 (35)
5	739-335/001-000	140 (35)
6	739-336/001-000	120 (30)
7	739-337/001-000	180 (45)
8	739-338/001-000	100 (25)
9	739-339/001-000	80 (20)
10	739-340/001-000	80 (20)
12	739-342/001-000	60 (15)



L = pole no. x pin spacing + 3.5 mm + 1.5 mm



L<sub>1</sub> = pole no. x pin spacing L<sub>2</sub> = L<sub>1</sub> + 8.8 mm L<sub>3</sub> = L<sub>1</sub> + 14.8 mm

PU = Packaging Unit; SPU = Subpackaging Unit; Dimensions in mm

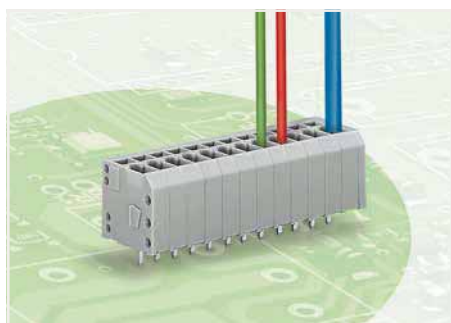
Other variants can be requested via the WAGO sales department or, if necessary, configured at <https://configurator.wago.com/>:

- Other pole numbers
- Other colors
- Mixed-color terminal strips
- Direct marking

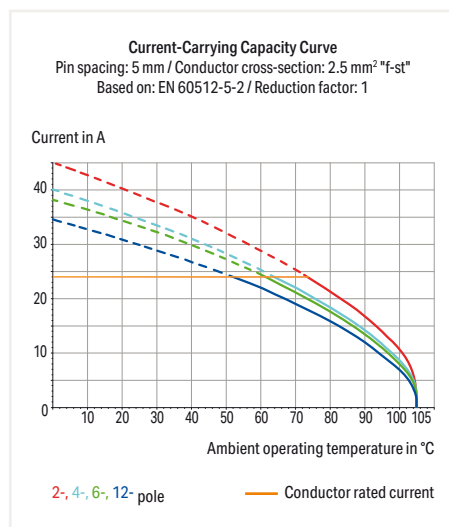
## PCB Terminal Block ▶ 739 Series

CAGE CLAMP® ▶ Actuation type: Operating tool ▶ Terminal strip ▶ 2.5 mm<sup>2</sup> ▶ Pin spacing: 5 mm (0.197 inch) ▶ Color: gray

1



- PCB terminal strips with screwdriver-actuated CAGE CLAMP®
- Vertical conductor entry and operating direction for space-saving positioning/grouping



### Electrical Data

Pin spacing	5 mm (0.197 inch)		
Ratings per	IEC/EN 60664-1		
Overvoltage category	III	III	II
Pollution degree	3	2	2
Rated voltage	320 V	320 V	630 V
Rated impulse voltage	4 kV	4 kV	4 kV
Rated current	24 A	24 A	24 A
Approvals per	UL 1059		
Use Group	B	C	D
Rated voltage	300 V	-	300 V
Rated current	20 A	-	10 A
Approvals per	CSA		
Use Group	B	C	D
Rated voltage	300 V	-	300 V
Rated current	12 A	-	10 A

### Connection Data

Connection technology	CAGE CLAMP®
Strip length	8 ... 9 mm / 0.31 ... 0.35 inch
Conductor entry angle to the PCB	90°
Solid conductor	0.08 ... 2.5 mm <sup>2</sup> / 28 ... 14 AWG
Fine-stranded conductor	0.08 ... 2.5 mm <sup>2</sup> / 28 ... 12 AWG
Fine-stranded conductor with ferrule with plastic collar	0.25 ... 1.5 mm <sup>2</sup>
Fine-stranded conductor with ferrule without plastic collar	0.25 ... 2.5 mm <sup>2</sup>
Note (conductor cross-section)	12 AWG: THHN, THWN

### Material Data

Material group	I
Insulating material	Polyamide 66 (PA 66)
Flammability class per UL94	V0
Clamping spring material	Chrome nickel spring steel (CrNi)
Contact material	Electrolytic copper (Ecu)
Contact plating	Tin-plated

### Mechanical Data

Solder pin arrangement	Over the entire terminal strip, in line
Solder pin length	3.2 mm
Solder pin dimensions	0.8 x 1.2 mm
Drilled hole diameter (tolerance)	1.6 <sup>(+0.1)</sup> mm

### Environmental Requirements

Limit temperature range	-60 ... +105 °C
-------------------------	-----------------

Ferrule [Page 847](#)

Marking [Page 833](#)

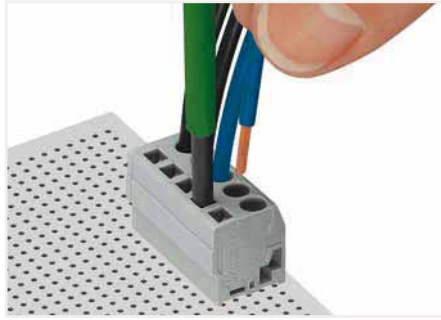
Tools [Page 838](#)

Additional information, see "Technical Section"

Approvals and corresponding ratings, visit [www.wago.com](http://www.wago.com)

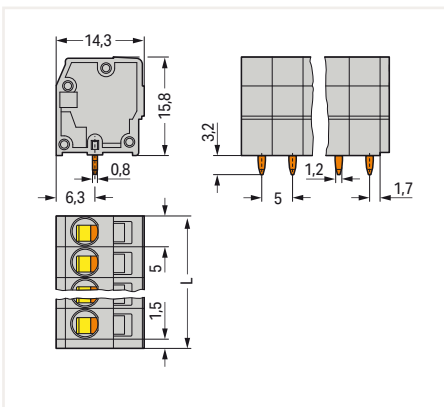
## PCB Terminal Block ▶ 739 Series

CAGE CLAMP® ▶ Actuation type: Operating tool ▶ Terminal strip ▶ 2.5 mm<sup>2</sup> ▶ Pin spacing: 5 mm (0.197 inch) ▶ Color: gray



Inserting a conductor parallel to screwdriver actuation – 739 Series.

Pole No.	Item No.	PU (SPU)
2	739-102	400 (100)
3	739-103	280 (70)
4	739-104	220 (55)
5	739-105	180 (45)
6	739-106	140 (35)
7	739-107	120 (30)
8	739-108	100 (25)
9	739-109	100 (25)
10	739-110	80 (20)
12	739-112	60 (15)
16	739-116	40 (10)
24	739-124	20 (5)



$L = (\text{pole no.} - 1) \times \text{pin spacing} + 5 \text{ mm} + 1.5 \text{ mm}$

PU = Packaging Unit; SPU = Subpackaging Unit; Dimensions in mm

Other variants can be requested via the WAGO sales department or, if necessary, configured at <https://configurator.wago.com/>:

- Other pole numbers
- Other colors
- Mixed-color terminal strips
- Direct marking

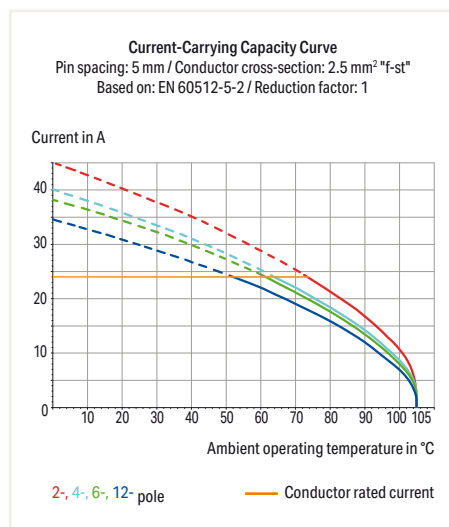
## PCB Terminal Block ▶ 739 Series

CAGE CLAMP® ▶ Actuation type: Operating tool ▶ Terminal strip ▶ 2.5 mm<sup>2</sup> ▶ Pin spacing: 5.08 mm (0.2 inch) ▶ Color: orange

1



- PCB terminal strips with screwdriver-actuated CAGE CLAMP®
- Vertical conductor entry and operating direction for space-saving positioning/grouping



### Electrical Data

Pin spacing	5.08 mm (0.2 inch)		
Ratings per	IEC/EN 60664-1		
Overvoltage category	III	III	II
Pollution degree	3	2	2
Rated voltage	320 V	320 V	630 V
Rated impulse voltage	4 kV	4 kV	4 kV
Rated current	24 A	24 A	24 A
Approvals per	UL 1059		
Use Group	B	C	D
Rated voltage	300 V	-	300 V
Rated current	20 A	-	10 A
Approvals per	CSA		
Use Group	B	C	D
Rated voltage	300 V	-	300 V
Rated current	12 A	-	10 A

### Connection Data

Connection technology	CAGE CLAMP®
Strip length	8 ... 9 mm / 0.31 ... 0.35 inch
Conductor entry angle to the PCB	90°
Solid conductor	0.08 ... 2.5 mm <sup>2</sup> / 28 ... 14 AWG
Fine-stranded conductor	0.08 ... 2.5 mm <sup>2</sup> / 28 ... 12 AWG
Fine-stranded conductor with ferrule with plastic collar	0.25 ... 1.5 mm <sup>2</sup>
Fine-stranded conductor with ferrule without plastic collar	0.25 ... 2.5 mm <sup>2</sup>
Note (conductor cross-section)	12 AWG: THHN, THWN

### Material Data

Material group	I
Insulating material	Polyamide 66 (PA 66)
Flammability class per UL94	V0
Clamping spring material	Chrome nickel spring steel (CrNi)
Contact material	Electrolytic copper (Ecu)
Contact plating	Tin-plated

### Mechanical Data

Solder pin arrangement	Over the entire terminal strip, in line
Solder pin length	3.2 mm
Solder pin dimensions	0.8 x 1.2 mm
Drilled hole diameter (tolerance)	1.6 <sup>(+0.1)</sup> mm

### Environmental Requirements

Limit temperature range	-60 ... +105 °C
-------------------------	-----------------

Ferrule [Page 847](#)

Marking [Page 833](#)

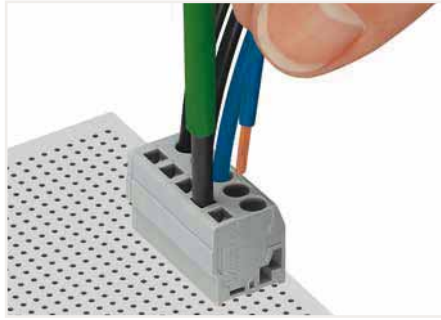
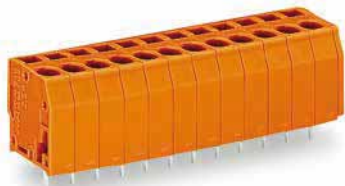
Tools [Page 838](#)

Additional information, see "Technical Section"

Approvals and corresponding ratings, visit [www.wago.com](http://www.wago.com)

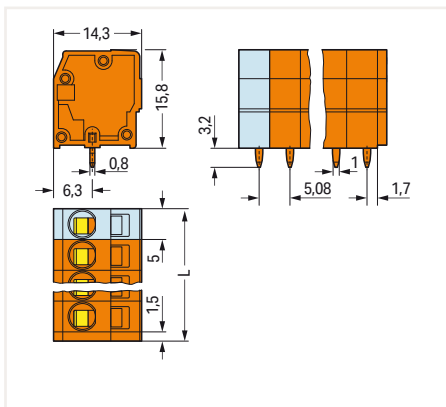
## PCB Terminal Block ▶ 739 Series

CAGE CLAMP® ▶ Actuation type: Operating tool ▶ Terminal strip ▶ 2.5 mm<sup>2</sup> ▶ Pin spacing: 5.08 mm (0.2 inch) ▶ Color: orange



Inserting a conductor parallel to screwdriver actuation – 739 Series.

Pole No.	Item No.	PU (SPU)
2	739-152	400 (100)
3	739-153	280 (70)
4	739-154	220 (55)
5	739-155	160 (40)
6	739-156	140 (35)
7	739-157	120 (30)
8	739-158	100 (25)
9	739-159	100 (25)
10	739-160	80 (20)
12	739-162	60 (15)
16	739-166	40 (10)
24	739-174	20 (5)



$L = (\text{pole no.} - 1) \times \text{pin spacing} + 5 \text{ mm} + 1.5 \text{ mm}$

PU = Packaging Unit; SPU = Subpackaging Unit; Dimensions in mm

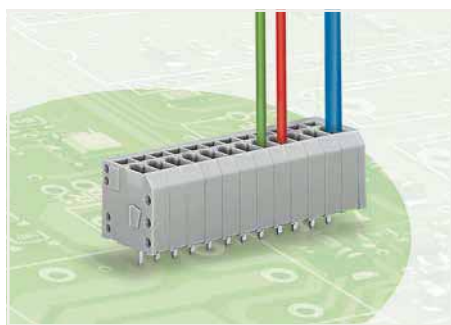
Other variants can be requested via the WAGO sales department or, if necessary, configured at <https://configurator.wago.com/>:

- Other pole numbers
- Other colors
- Mixed-color terminal strips
- Direct marking

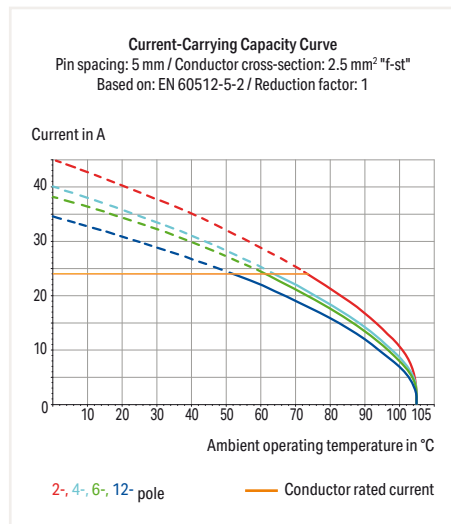
## PCB Terminal Block ▶ 739 Series

CAGE CLAMP® ▶ Actuation type: Operating tool ▶ Terminal strip ▶ 2.5 mm<sup>2</sup> ▶ Pin spacing: 7.5 mm (0.295 inch) ▶ Color: gray

1



- PCB terminal strips with screwdriver-actuated CAGE CLAMP®
- Vertical conductor entry and operating direction for space-saving positioning/grouping



### Electrical Data

Pin spacing	7.5 mm (0.295 inch)		
Ratings per	IEC/EN 60664-1		
Overvoltage category	III	III	II
Pollution degree	3	2	2
Rated voltage	500 V	630 V	1000 V
Rated impulse voltage	6 kV	6 kV	6 kV
Rated current	24 A	24 A	24 A
Approvals per	UL 1059		
Use Group	B	C	D
Rated voltage	300 V	-	300 V
Rated current	20 A	-	10 A
Approvals per	CSA		
Use Group	B	C	D
Rated voltage	300 V	-	300 V
Rated current	8 A	-	8 A

### Connection Data

Connection technology	CAGE CLAMP®
Strip length	8 ... 9 mm / 0.31 ... 0.35 inch
Conductor entry angle to the PCB	90°
Solid conductor	0.08 ... 2.5 mm <sup>2</sup> / 28 ... 12 AWG
Fine-stranded conductor	0.08 ... 2.5 mm <sup>2</sup> / 28 ... 12 AWG
Fine-stranded conductor with ferrule with plastic collar	0.25 ... 1.5 mm <sup>2</sup>
Fine-stranded conductor with ferrule without plastic collar	0.25 ... 2.5 mm <sup>2</sup>
Note (conductor cross-section)	12 AWG: THHN, THWN

### Material Data

Material group	I
Insulating material	Polyamide 66 (PA 66)
Flammability class per UL94	V0
Clamping spring material	Chrome nickel spring steel (CrNi)
Contact material	Electrolytic copper (Ecu)
Contact plating	Tin-plated

### Mechanical Data

Solder pin arrangement	Over the entire terminal strip, in line
Solder pin length	3.2 mm
Solder pin dimensions	0.8 x 1.2 mm
Drilled hole diameter (tolerance)	1.6 <sup>(+0.1)</sup> mm

### Environmental Requirements

Limit temperature range	-60 ... +105 °C
-------------------------	-----------------

Ferrule Page 847

Marking Page 833

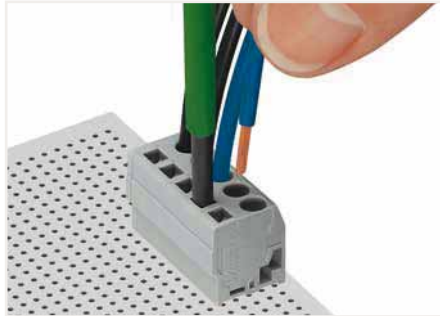
Tools Page 838

Additional information, see "Technical Section"

Approvals and corresponding ratings, visit [www.wago.com](http://www.wago.com)

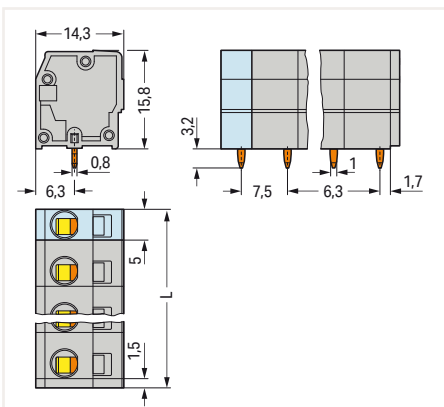
## PCB Terminal Block ▶ 739 Series

CAGE CLAMP® ▶ Actuation type: Operating tool ▶ Terminal strip ▶ 2.5 mm<sup>2</sup> ▶ Pin spacing: 7.5 mm (0.295 inch) ▶ Color: gray



Inserting a conductor parallel to screwdriver actuation – 739 Series.

Pole No.	Item No.	PU (SPU)
2	739-202	340 (85)
3	739-203	220 (55)
4	739-204	160 (40)
5	739-205	120 (30)
6	739-206	100 (25)
7	739-207	80 (20)
8	739-208	80 (20)
9	739-209	60 (15)
10	739-210	60 (15)
12	739-212	40 (10)



$L = (\text{pole no.} - 1) \times \text{pin spacing} + 5 \text{ mm} + 1.5 \text{ mm}$

PU = Packaging Unit; SPU = Subpackaging Unit; Dimensions in mm

Other variants can be requested via the WAGO sales department or, if necessary, configured at <https://configurator.wago.com/>:

- Other pole numbers
- Other colors
- Mixed-color terminal strips
- Direct marking

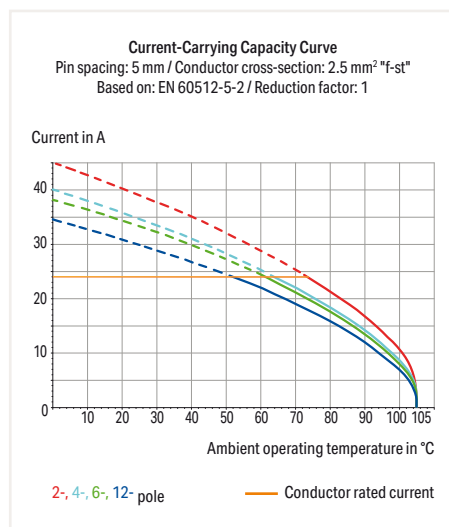
## PCB Terminal Block ▶ 739 Series

CAGE CLAMP® ▶ Actuation type: Operating tool ▶ Terminal strip ▶ 2.5 mm<sup>2</sup> ▶ Pin spacing: 7.62 mm (0.3 inch) ▶ Color: orange

1



- PCB terminal strips with screwdriver-actuated CAGE CLAMP®
- Vertical conductor entry and operating direction for space-saving positioning/grouping



Electrical Data			
Pin spacing	7.62 mm (0.3 inch)		
Ratings per	IEC/EN 60664-1		
Overvoltage category	III	III	II
Pollution degree	3	2	2
Rated voltage	500 V	630 V	1000 V
Rated impulse voltage	6 kV	6 kV	6 kV
Rated current	24 A	24 A	24 A
Approvals per	UL 1059		
Use Group	B	C	D
Rated voltage	300 V	-	300 V
Rated current	20 A	-	10 A
Approvals per	CSA		
Use Group	B	C	D
Rated voltage	300 V	-	300 V
Rated current	8 A	-	8 A

Connection Data	
Connection technology	CAGE CLAMP®
Strip length	8 ... 9 mm / 0.31 ... 0.35 inch
Conductor entry angle to the PCB	90°
Solid conductor	0.08 ... 2.5 mm <sup>2</sup> / 28 ... 12 AWG
Fine-stranded conductor	0.08 ... 2.5 mm <sup>2</sup> / 28 ... 12 AWG
Fine-stranded conductor with ferrule with plastic collar	0.25 ... 1.5 mm <sup>2</sup>
Fine-stranded conductor with ferrule without plastic collar	0.25 ... 2.5 mm <sup>2</sup>
Note (conductor cross-section)	12 AWG: THHN, THWN

Material Data	
Material group	I
Insulating material	Polyamide 66 (PA 66)
Flammability class per UL94	V0
Clamping spring material	Chrome nickel spring steel (CrNi)
Contact material	Electrolytic copper (Ecu)
Contact plating	Tin-plated

Mechanical Data	
Solder pin arrangement	Over the entire terminal strip, in line
Solder pin length	3.2 mm
Solder pin dimensions	0.8 x 1.2 mm
Drilled hole diameter (tolerance)	1.6 <sup>(+0.1)</sup> mm

Environmental Requirements	
Limit temperature range	-60 ... +105 °C

Ferrule Page 847

Marking Page 833

Tools Page 838

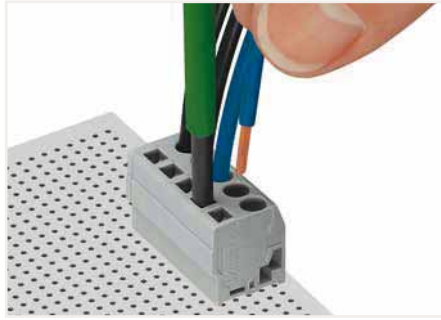
Additional information, see "Technical Section"

Approvals and corresponding ratings, visit [www.wago.com](http://www.wago.com)



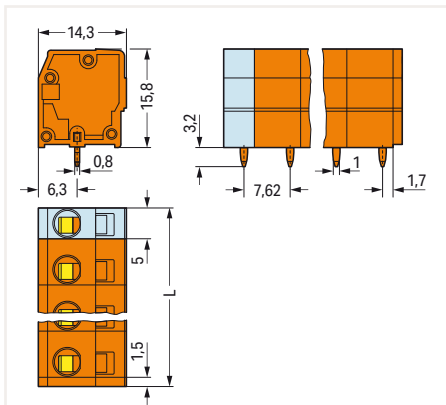
## PCB Terminal Block ▶ 739 Series

CAGE CLAMP® ▶ Actuation type: Operating tool ▶ Terminal strip ▶ 2.5 mm<sup>2</sup> ▶ Pin spacing: 7.62 mm (0.3 inch) ▶ Color: orange



Inserting a conductor parallel to screwdriver actuation – 739 Series.

Pole No.	Item No.	PU (SPU)
2	739-232	320 (80)
3	739-233	220 (55)
4	739-234	160 (40)
5	739-235	120 (30)
6	739-236	100 (25)
7	739-237	80 (20)
8	739-238	80 (20)
9	739-239	60 (15)
10	739-240	60 (15)
12	739-242	40 (10)



$L = (\text{pole no.} - 1) \times \text{pin spacing} + 5 \text{ mm} + 1.5 \text{ mm}$

PU = Packaging Unit; SPU = Subpackaging Unit; Dimensions in mm

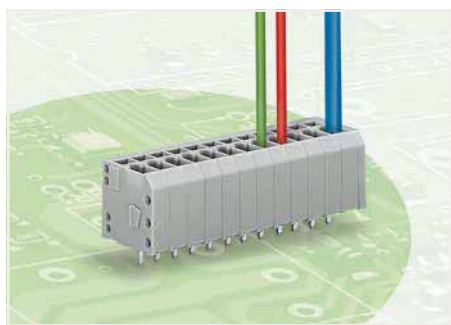
Other variants can be requested via the WAGO sales department or, if necessary, configured at <https://configurator.wago.com/>:

- Other pole numbers
- Other colors
- Mixed-color terminal strips
- Direct marking

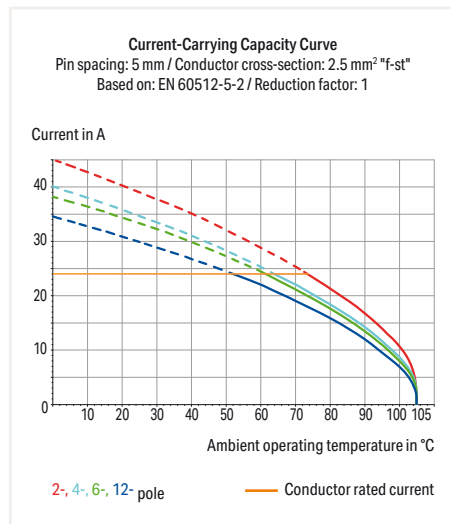
## PCB Terminal Block ▶ 739 Series

CAGE CLAMP® ▶ Actuation type: Operating tool ▶ Terminal strip ▶ 2.5 mm<sup>2</sup> ▶ Pin spacing: 10 mm (0.394 inch) ▶ Color: gray

1



- PCB terminal strips with screwdriver-actuated CAGE CLAMP®
- Vertical conductor entry and operating direction for space-saving positioning/grouping



### Electrical Data

Pin spacing	10 mm (0.394 inch)		
Ratings per	IEC/EN 60664-1		
Overvoltage category	III	III	II
Pollution degree	3	2	2
Rated voltage	1000 V	1000 V	1000 V
Rated impulse voltage	8 kV	8 kV	8 kV
Rated current	24 A	24 A	24 A
Approvals per	UL 1059		
Use Group	B	C	D
Rated voltage	300 V	300 V	600 V
Rated current	20 A	12 A	5 A
Approvals per	CSA		
Use Group	B	C	D
Rated voltage	300 V	300 V	600 V
Rated current	12 A	12 A	5 A

### Connection Data

Connection technology	CAGE CLAMP®
Strip length	8 ... 9 mm / 0.31 ... 0.35 inch
Conductor entry angle to the PCB	90°
Solid conductor	0.08 ... 2.5 mm <sup>2</sup> / 28 ... 12 AWG
Fine-stranded conductor	0.08 ... 2.5 mm <sup>2</sup> / 28 ... 12 AWG
Fine-stranded conductor with ferrule with plastic collar	0.25 ... 1.5 mm <sup>2</sup>
Fine-stranded conductor with ferrule without plastic collar	0.25 ... 2.5 mm <sup>2</sup>
Note (conductor cross-section)	12 AWG: THHN, THWN

### Material Data

Material group	I
Insulating material	Polyamide 66 (PA 66)
Flammability class per UL94	V0
Clamping spring material	Chrome nickel spring steel (CrNi)
Contact material	Electrolytic copper (Ecu)
Contact plating	Tin-plated

### Mechanical Data

Solder pin arrangement	Over the entire terminal strip, in line
Solder pin length	3.2 mm
Solder pin dimensions	0.8 x 1 mm
Drilled hole diameter (tolerance)	1.6 <sup>(+0.1)</sup> mm

### Environmental Requirements

Limit temperature range	-60 ... +105 °C
-------------------------	-----------------

Ferrule Page 847

Marking Page 834

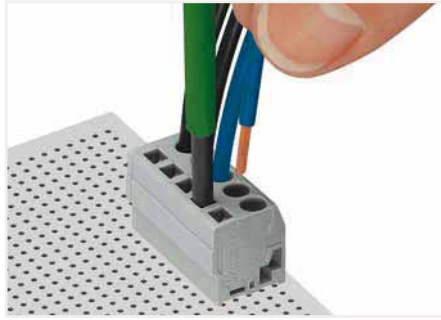
Tools Page 838

Additional information, see "Technical Section"

Approvals and corresponding ratings, visit [www.wago.com](http://www.wago.com)

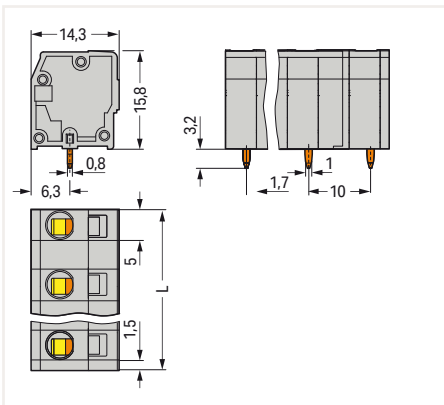
## PCB Terminal Block ▶ 739 Series

CAGE CLAMP® ▶ Actuation type: Operating tool ▶ Terminal strip ▶ 2.5 mm<sup>2</sup> ▶ Pin spacing: 10 mm (0.394 inch) ▶ Color: gray



Inserting a conductor parallel to screwdriver actuation – 739 Series.

Pole No.	Item No.	PU (SPU)
2	739-3202	280 (70)
3	739-3203	180 (45)
4	739-3204	120 (30)
9	739-3205	100 (25)
10	739-3210	40 (10)
11	739-3206	80 (20)
12	739-3212	40 (10)
13	739-3207	60 (15)
15	739-3208	60 (15)
17	739-3209	40 (10)



$L = (\text{pole no.} - 1) \times \text{pin spacing} + 5 \text{ mm} + 1.5 \text{ mm}$

PU = Packaging Unit; SPU = Subpackaging Unit; Dimensions in mm

Other variants can be requested via the WAGO sales department or, if necessary, configured at <https://configurator.wago.com/>:

- Other pole numbers
- Other colors
- Mixed-color terminal strips
- Direct marking

## PCB Terminal Block ▶ 740 Series

CAGE CLAMP® ▶ Actuation type: Operating tool ▶ Terminal strip ▶ 2.5 mm<sup>2</sup> ▶ Pin spacing: 5 mm (0.197 inch) ▶ Color: gray

1



- PCB terminal strips with CAGE CLAMP® connection and top-of-unit screwdriver actuation
- Pin and dimensions compatible with screw-type terminal blocks of similar design
- PCB terminal strips may be positioned adjacently without losing any poles

Electrical Data			
Pin spacing	5 mm (0.197 inch)		
Ratings per	IEC/EN 60664-1		
Overvoltage category	III	III	II
Pollution degree	3	2	2
Rated voltage	300 V	320 V	630 V
Rated impulse voltage	4 kV	4 kV	4 kV
Rated current	16 A	16 A	16 A
Approvals per	UL 1059		
Use Group	B	C	D
Rated voltage	300 V	-	300 V
Rated current	10 A	-	10 A
Approvals per	CSA		
Use Group	B	C	D
Rated voltage	300 V	-	300 V
Rated current	16 A	-	10 A
Connection Data			
Connection technology	CAGE CLAMP®		
Strip length	6 ... 7 mm / 0.24 ... 0.28 inch		
Conductor entry angle to the PCB	0°		
Solid conductor	0.08 ... 2.5 mm <sup>2</sup> / 28 ... 12 AWG		
Fine-stranded conductor	0.08 ... 2.5 mm <sup>2</sup> / 28 ... 12 AWG		
Fine-stranded conductor with ferrule with plastic collar	0.25 ... 1.5 mm <sup>2</sup>		
Fine-stranded conductor with ferrule without plastic collar	0.25 ... 1.5 mm <sup>2</sup>		
Note (conductor cross-section)	12 AWG: THHN, THWN		
Material Data			
Material group	I		
Insulating material	Polyamide 66 (PA 66)		
Flammability class per UL94	V0		
Clamping spring material	Chrome nickel spring steel (CrNi)		
Contact material	Electrolytic copper (Ecu)		
Contact plating	Tin-plated		
Mechanical Data			
Solder pin arrangement	Over the entire terminal strip, in line		
Solder pin length	5.1 mm		
Solder pin dimensions	0.8 x 1 mm		
Drilled hole diameter (tolerance)	1.3 <sup>(+0.1)</sup> mm		
Environmental Requirements			
Limit temperature range	-60 ... +105 °C		

Ferrule Page 847

Marking Page 833

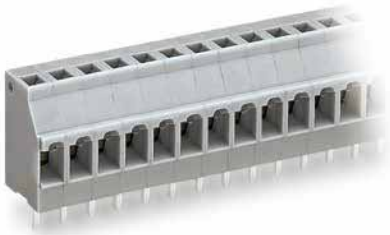
Tools Page 838

Additional information, see "Technical Section"

Approvals and corresponding ratings, visit [www.wago.com](http://www.wago.com)

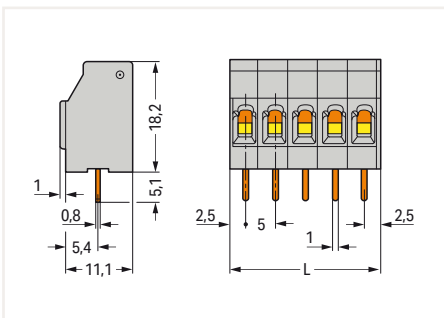
## PCB Terminal Block ▶ 740 Series

CAGE CLAMP® ▶ Actuation type: Operating tool ▶ Terminal strip ▶ 2.5 mm<sup>2</sup> ▶ Pin spacing: 5 mm (0.197 inch) ▶ Color: gray



Inserting a conductor perpendicular to screwdriver actuation – 740 Series.

Pole No.	Item No.	PU (SPU)
2	740-102	460 (115)
3	740-103	300 (75)
4	740-104	240 (60)
5	740-105	180 (45)
6	740-106	140 (35)
7	740-107	120 (30)
8	740-108	100 (25)
9	740-109	100 (25)
10	740-110	80 (20)
12	740-112	60 (15)
16	740-116	60 (15)
24	740-124	40 (10)



L = pole no. x pin spacing

PU = Packaging Unit; SPU = Subpackaging Unit; Dimensions in mm

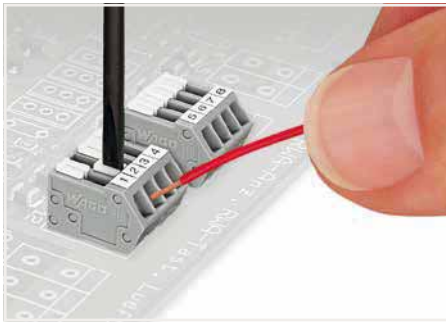
Other variants can be requested via the WAGO sales department or, if necessary, configured at <https://configurator.wago.com/>:

- Other pole numbers
- Other colors
- Mixed-color terminal strips
- Direct marking

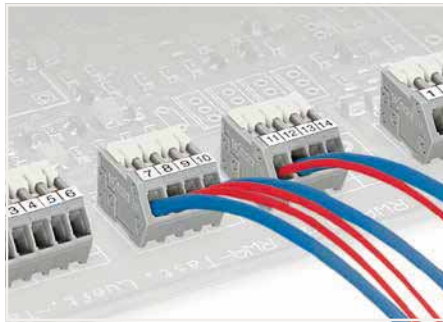
# 218 Series

## Description and Installation

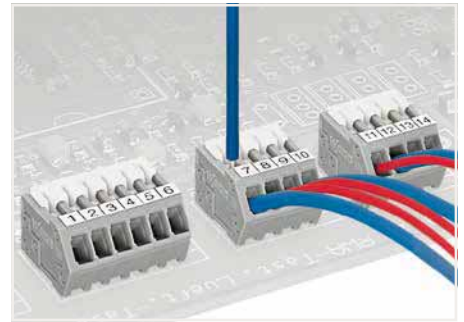
1



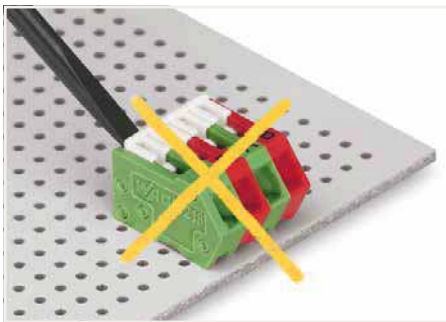
Terminating stranded conductors in confined spaces requires a great deal of patience, unless you use the new 218 Series PCB Terminal Strips. The clamping units of these strips can be held open during termination process via integrated locking slide.



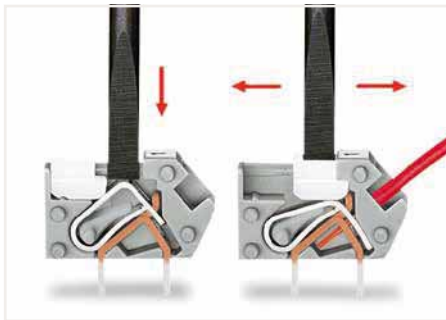
Terminating 0.75 mm<sup>2</sup> (18 AWG) conductors is possible; however, insulation diameter allows only every other clamping unit to be terminated with this conductor size.



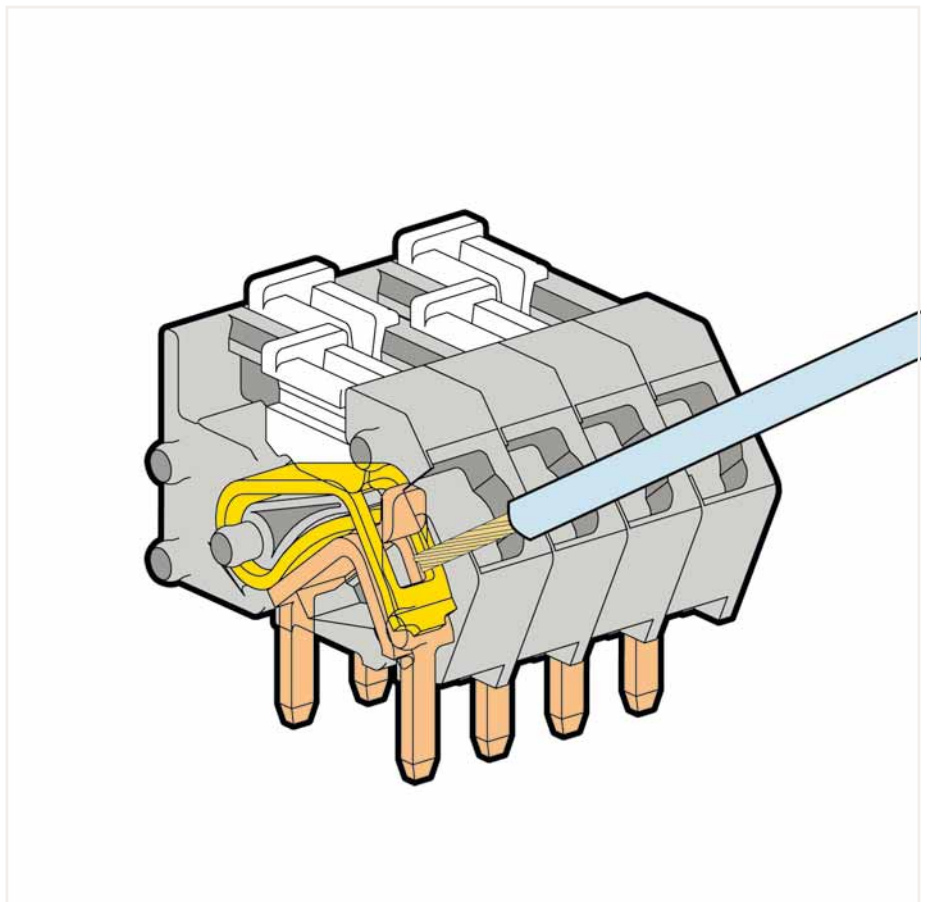
Testing directly on the clamping spring.



Incorrect – do not operate the locking slides from the back.



Conductor termination: To momentarily open the clamping unit, use screwdriver and then insert a stripped conductor. To open clamping unit for an extended period, move locking slide toward conductor entry hole. Then fully insert stripped conductor and move locking slide back to original position (also possible to perform with fingernail).



218 Series



Insulating housings are available in different colors.



Labeling with self-adhesive marking strips.



Labeling via factory direct marking.



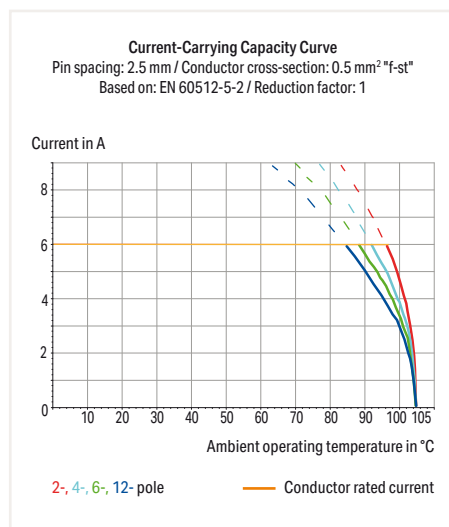
## PCB Terminal Block ▶ 218 Series

CAGE CLAMP® ▶ Actuation type: Locking slide ▶ 0.5 mm<sup>2</sup> ▶ Terminal strip ▶ Color: gray

1



- Terminal strips are just 8.1mm high and feature an innovative, locking slide-actuated CAGE CLAMP®
- Several clamping units can be held open simultaneously
- Easy termination of stranded conductors in tight spaces (e.g., bus connectors)



Electrical Data			
Pin spacing	2.5 mm (0.098 inch) / 2.54 mm (0.1 inch)		
Ratings per	IEC/EN 60664-1		
Overvoltage category	III	III	II
Pollution degree	3	2	2
Rated voltage	80 V	160 V	320 V
Rated impulse voltage	2.5 kV	2.5 kV	2.5 kV
Rated current	6 A	6 A	6 A
Approvals per	UL 1059		
Use Group	B	C	D
Rated voltage	150 V	-	-
Rated current	4 A	-	-
Approvals per	CSA		
Use Group	B	C	D
Rated voltage	150 V	-	-
Rated current	4 A	-	-

Connection Data	
Connection technology	CAGE CLAMP®
Strip length	5 ... 6 mm / 0.2 ... 0.24 inch
Conductor entry angle to the PCB	40°
Solid conductor	0.08 ... 0.5 mm <sup>2</sup> / 28 ... 20 AWG
Fine-stranded conductor	0.08 ... 0.5 mm <sup>2</sup> / 28 ... 20 AWG
Fine-stranded conductor with ferrule with plastic collar	0.25 mm <sup>2</sup>
Fine-stranded conductor with ferrule without plastic collar	0.25 mm <sup>2</sup>
Note (conductor cross-section)	Terminating 0.75 mm <sup>2</sup> /18 AWG conductors is possible; however insulation diameter allows only every other clamping unit to be terminated with this conductor size.

Material Data	
Material group	I
Insulating material	Polyamide 66 (PA 66)
Flammability class per UL94	V0
Clamping spring material	Chrome nickel spring steel (CrNi)
Contact material	Electrolytic copper (Ecu)
Contact plating	Tin-plated

Mechanical Data	
Solder pin arrangement	Over the entire terminal strip, in line
Solder pin length	2.8 mm
Solder pin dimensions	0.5 x 0.75 mm
Drilled hole diameter (tolerance)	1.1 <sup>(+0.1)</sup> mm

Environmental Requirements	
Limit temperature range	-60 ... +105 °C

Ferrule	Page 847
Marking	Page 832
Testing and measuring	Page 854
Tools	Page 838
Additional information, see "Technical Section"	
Approvals and corresponding ratings, visit <a href="http://www.wago.com">www.wago.com</a>	



## PCB Terminal Block ▶ 218 Series

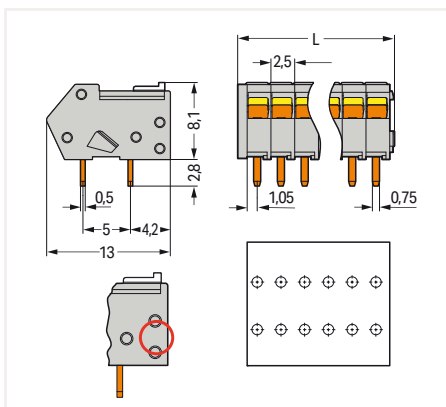
CAGE CLAMP® ▶ Actuation type: Locking slide ▶ 0.5 mm<sup>2</sup> ▶ Terminal strip ▶ Color: gray

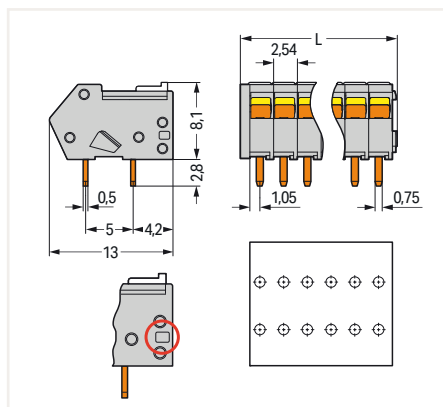
Pin spacing: 2.5 mm (0.098 inch)

Pin spacing: 2.54 mm (0.1 inch)



Pole No.	Item No.	PU (SPU)	Pole No.	Item No.	PU (SPU)
2	218-102	1000 (100)	2	218-502	1000 (100)
3	218-103	1000 (100)	3	218-503	1000 (100)
4	218-104	500 (100)	4	218-504	500 (100)
5	218-105	500 (100)	5	218-505	500 (100)
6	218-106	280 (70)	6	218-506	280 (70)
7	218-107	240 (60)	7	218-507	240 (60)
8	218-108	220 (55)	8	218-508	220 (55)
9	218-109	200 (50)	9	218-509	180 (45)
10	218-110	180 (45)	10	218-510	160 (40)
11	218-111	160 (40)	11	218-511	160 (40)
12	218-112	140 (35)	12	218-512	140 (35)
13	218-113	140 (35)	13	218-513	140 (35)
14	218-114	120 (30)	14	218-514	120 (30)
15	218-115	120 (30)	15	218-515	120 (30)
16	218-116	100 (25)	16	218-516	100 (25)
17	218-117	100 (25)	17	218-517	100 (25)
18	218-118	100 (25)	18	218-518	100 (25)
19	218-119	80 (20)	19	218-519	80 (20)
20	218-120	80 (20)	20	218-520	80 (20)
21	218-121	80 (20)	21	218-521	80 (20)
22	218-122	80 (20)	22	218-522	80 (20)
23	218-123	80 (20)	23	218-523	80 (20)
24	218-124	60 (15)	24	218-524	60 (15)



$$L = (\text{pole no.} \times \text{pin spacing}) + 1.5 \text{ mm}$$


$$L = (\text{pole no.} \times \text{pin spacing}) + 1.5 \text{ mm}$$

A groove at the back of the terminal strip differentiates between the two pin spacings (red circle).

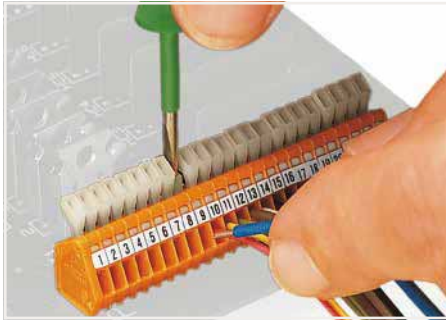
PU = Packaging Unit; SPU = Subpackaging Unit; Dimensions in mm

Other variants can be requested via the WAGO sales department or, if necessary, configured at <https://configurator.wago.com/>:

- Other pole numbers
- Other colors
- Mixed-color terminal strips
- Direct marking

## 233 and 234 Series Description and Installation

1



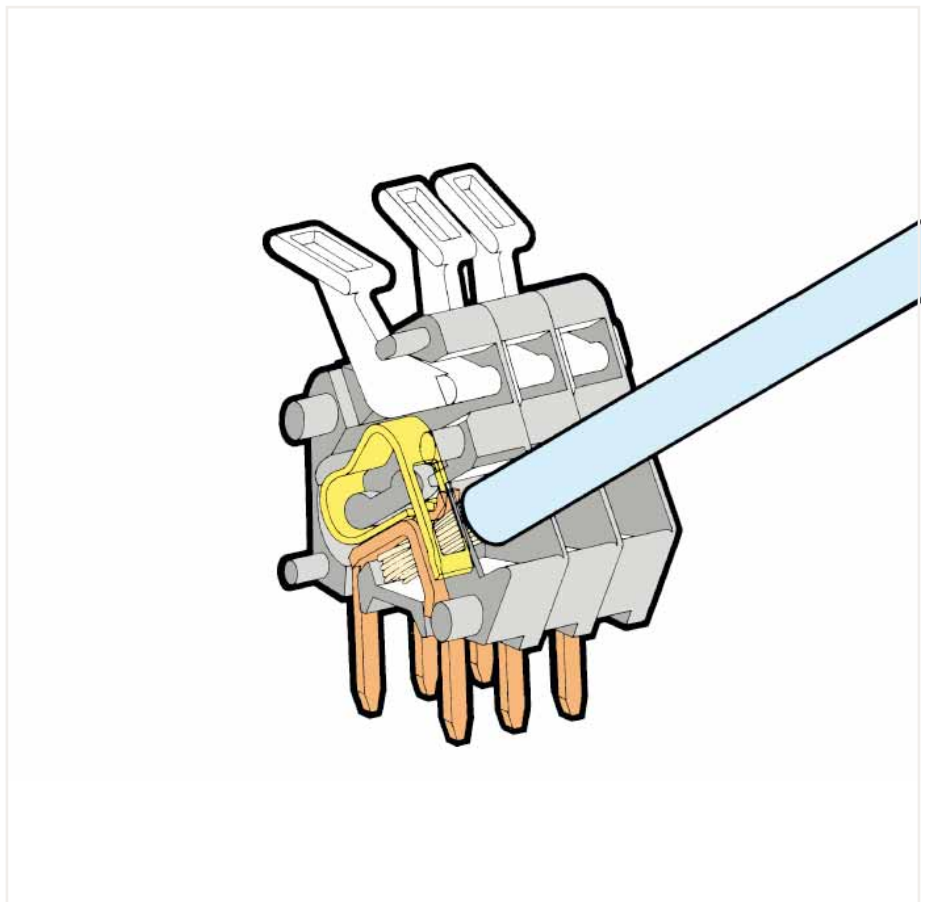
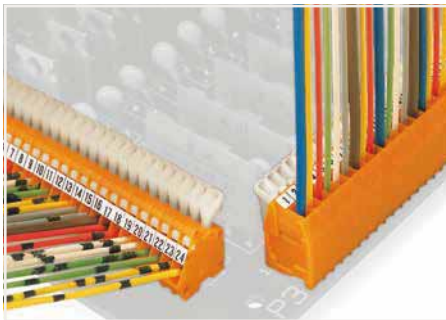
Inserting/removing a conductor.



Nominal cross-section: 0.5 mm<sup>2</sup> (20 AWG);  
0.75 mm<sup>2</sup> (18 AWG) only in every other position



Labeling via factory direct marking or self-adhesive marking strips.



233 Series

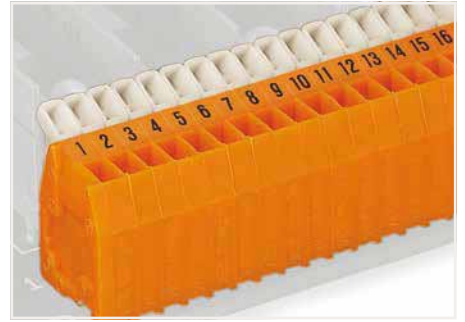
# 234 Series Description and Installation



Inserting/removing a conductor.

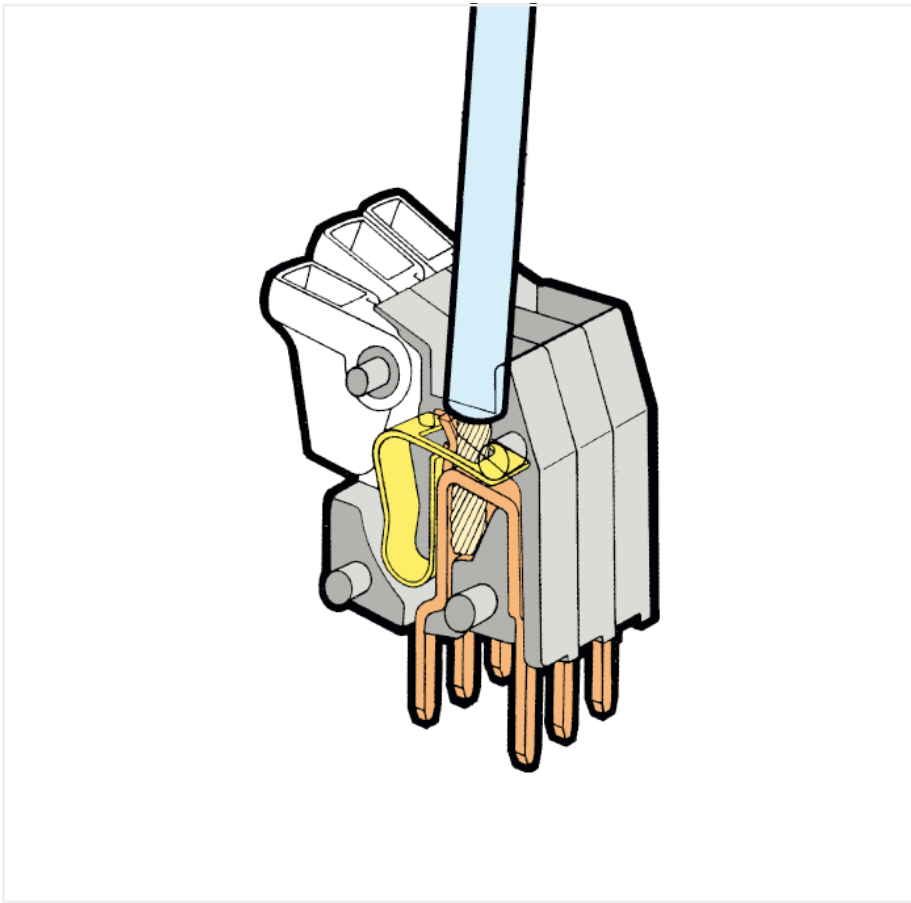


Nominal cross-section: 0.5 mm<sup>2</sup> (20 AWG);  
0.75 mm<sup>2</sup> (18 AWG) only in every other position

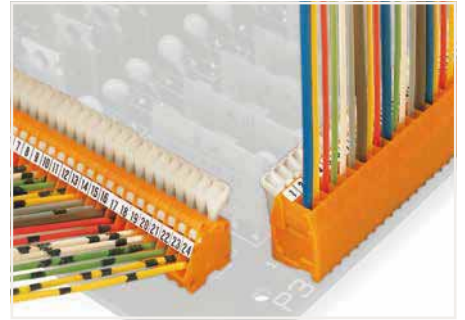


Labeling via self-adhesive marking strips or factory direct marking.

1



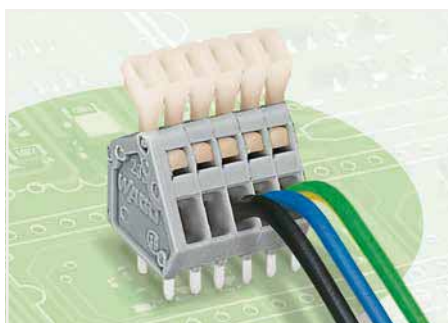
234 Series



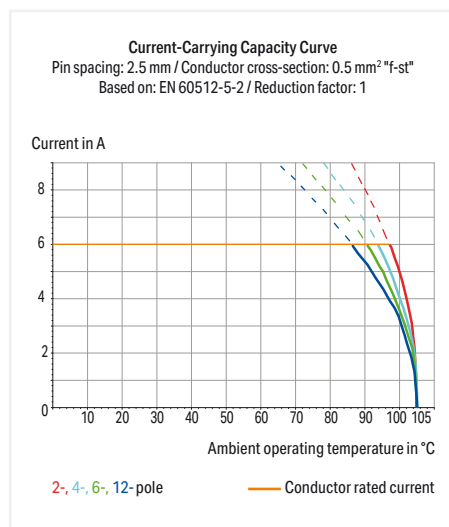
## PCB Terminal Block ▶ 233 Series

CAGE CLAMP® ▶ Actuation type: Push-button ▶ 0.5 mm<sup>2</sup> ▶ Terminal strip

1



- Compact PCB terminal strips with CAGE CLAMP® connection and screwdriver actuation parallel or perpendicular to conductor entry
- Double solder pins for high mechanical
- Custom color combinations



Electrical Data			
Pin spacing	2.5 mm (0.098 inch) / 2.54 mm (0.1 inch)		
Ratings per	IEC/EN 60664-1		
Overvoltage category	III	III	II
Pollution degree	3	2	2
Rated voltage	63 V	160 V	320 V
Rated impulse voltage	2.5 kV	2.5 kV	2.5 kV
Rated current	6 A	6 A	6 A
Approvals per	UL 1059		
Use Group	B	C	D
Rated voltage	150 V	-	-
Rated current	4 A	-	-
Approvals per	CSA		
Use Group	B	C	D
Rated voltage	150 V	-	-
Rated current	4 A	-	-

Connection Data	
Connection technology	CAGE CLAMP®
Strip length	5 ... 6 mm / 0.2 ... 0.24 inch
Conductor entry angle to the PCB	30°
Solid conductor	0.08 ... 0.5 mm <sup>2</sup> / 28 ... 20 AWG
Fine-stranded conductor	0.08 ... 0.5 mm <sup>2</sup> / 28 ... 20 AWG
Fine-stranded conductor with ferrule with plastic collar	0.25 mm <sup>2</sup>
Fine-stranded conductor with ferrule without plastic collar	0.25 mm <sup>2</sup>
Note (conductor cross-section)	Terminating 0.75 mm <sup>2</sup> /18 AWG conductors is possible; however insulation diameter allows only every other clamping unit to be terminated with this conductor size.

Material Data	
Material group	I
Insulating material	Polyamide 66 (PA 66)
Flammability class per UL94	V0
Clamping spring material	Chrome nickel spring steel (CrNi)
Contact material	Electrolytic copper (Ecu)
Contact plating	Tin-plated

Mechanical Data	
Solder pin arrangement	Over the entire terminal strip, in line
Solder pin length	4 mm
Solder pin dimensions	0.5 x 0.75 mm
Drilled hole diameter (tolerance)	1.1 <sup>(+0.1)</sup> mm

Environmental Requirements	
Limit temperature range	-60 ... +105 °C

Ferrule Page 847

Marking Page 832

Tools Page 838

Additional information, see "Technical Section"

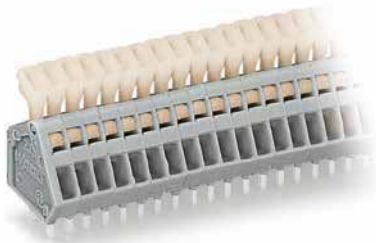
Approvals and corresponding ratings, visit [www.wago.com](http://www.wago.com)

# PCB Terminal Block ▶ 233 Series

## CAGE CLAMP® ▶ Actuation type: Push-button ▶ 0.5 mm<sup>2</sup> ▶ Terminal strip

Pin spacing: 2.5 mm (0.098 inch) ▶ Color: gray

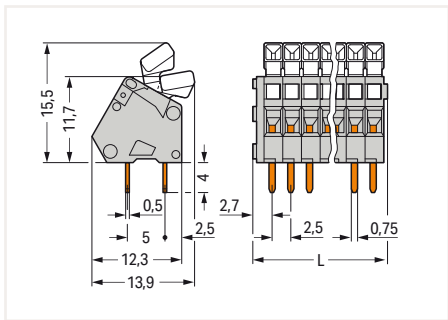
Pin spacing: 2.54 mm (0.1 inch) ▶ Color: orange



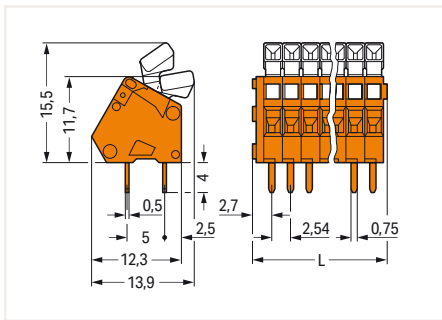
1

Pole No.	Item No.	PU (SPU)
2	233-202	600 (100)
3	233-203	500 (125)
4	233-204	400 (100)
5	233-205	340 (85)
6	233-206	280 (70)
7	233-207	240 (60)
8	233-208	220 (55)
9	233-209	200 (50)
10	233-210	180 (45)
12	233-212	140 (35)

Pole No.	Item No.	PU (SPU)
2	233-502	600 (100)
3	233-503	500 (125)
4	233-504	400 (100)
5	233-505	340 (85)
6	233-506	280 (70)
7	233-507	240 (60)
8	233-508	220 (55)
9	233-509	200 (50)
10	233-510	180 (45)
12	233-512	140 (35)



L = (pole no. x pin spacing) + 2.3 mm



L = (pole no. x pin spacing) + 2.3 mm

PU = Packaging Unit; SPU = Subpackaging Unit; Dimensions in mm

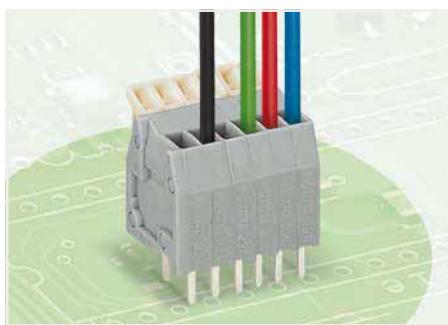
Other variants can be requested via the WAGO sales department or, if necessary, configured at <https://configurator.wago.com/>:

- Other pole numbers
- Other colors
- Mixed-color terminal strips
- Direct marking

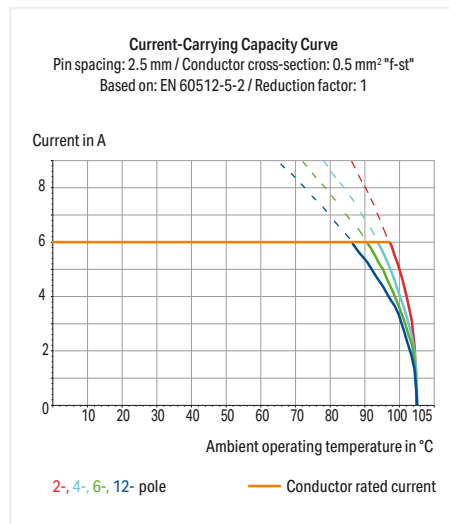
## PCB Terminal Block ▶ 234 Series

CAGE CLAMP® ▶ Actuation type: Push-button ▶ 0.5 mm<sup>2</sup> ▶ Terminal strip

1



- Terminal strips with push-buttons and CAGE CLAMP® connection
- Double solder pins for high mechanical stability on PCB
- Ideal for in-the-field wiring thanks to simplified push-button actuation
- Convenient, tool-free operation

**Electrical Data**

Pin spacing	2.5 mm (0.098 inch) / 2.54 mm (0.1 inch)		
Ratings per	IEC/EN 60664-1		
Overtoltage category	III	III	II
Pollution degree	3	2	2
Rated voltage	63 V	160 V	320 V
Rated impulse voltage	2.5 kV	2.5 kV	2.5 kV
Rated current	6 A	6 A	6 A
Approvals per	UL 1059		
Use Group	B	C	D
Rated voltage	150 V	-	-
Rated current	4 A	-	-
Approvals per	CSA		
Use Group	B	C	D
Rated voltage	150 V	-	-
Rated current	4 A	-	-

**Connection Data**

Connection technology	CAGE CLAMP®
Strip length	5 ... 6 mm / 0.2 ... 0.24 inch
Conductor entry angle to the PCB	90°
Solid conductor	0.08 ... 0.5 mm <sup>2</sup> / 28 ... 20 AWG
Fine-stranded conductor	0.08 ... 0.5 mm <sup>2</sup> / 28 ... 20 AWG
Fine-stranded conductor with ferrule with plastic collar	0.25 mm <sup>2</sup>
Fine-stranded conductor with ferrule without plastic collar	0.25 mm <sup>2</sup>

**Material Data**

Material group	I
Insulating material	Polyamide 66 (PA 66)
Flammability class per UL94	V0
Clamping spring material	Chrome nickel spring steel (CrNi)
Contact material	Electrolytic copper (Ecu)
Contact plating	Tin-plated

**Mechanical Data**

Solder pin arrangement	Over the entire terminal strip, in line
Solder pin length	4 mm
Solder pin dimensions	0.5 x 0.75 mm
Drilled hole diameter (tolerance)	1.1 <sup>(+0.1)</sup> mm

**Environmental Requirements**

Limit temperature range	-60 ... +105 °C
-------------------------	-----------------

Ferrule	Page 847
---------	----------

Marking	Page 832
---------	----------

Tools	Page 838
-------	----------

Additional information, see "Technical Section"
---

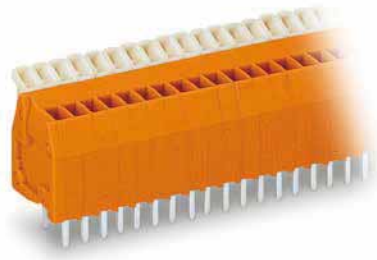
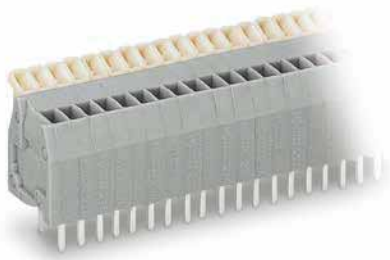
Approvals and corresponding ratings, visit <a href="http://www.wago.com">www.wago.com</a>
---

## PCB Terminal Block ▶ 234 Series

### CAGE CLAMP® ▶ Actuation type: Push-button ▶ 0.5 mm<sup>2</sup> ▶ Terminal strip

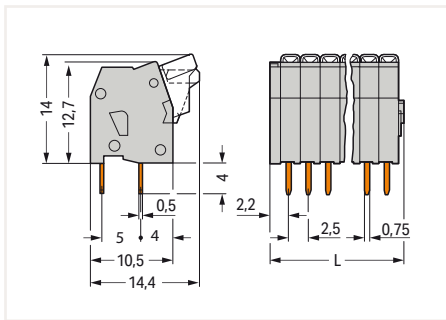
Pin spacing: 2.5 mm (0.098 inch) ▶ Color: gray

Pin spacing: 2.54 mm (0.1 inch) ▶ Color: orange

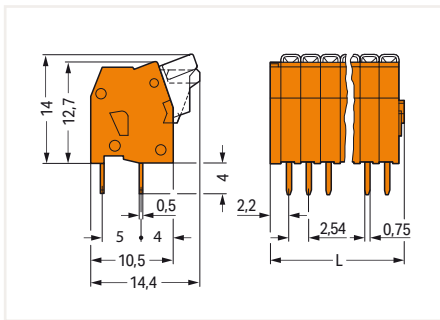


Pole No.	Item No.	PU (SPU)
2	234-202	600 (100)
3	234-203	520 (130)
4	234-204	400 (100)
5	234-205	340 (85)
6	234-206	280 (70)
7	234-207	240 (60)
8	234-208	220 (55)
9	234-209	200 (50)
10	234-210	180 (45)
12	234-212	140 (35)

Pole No.	Item No.	PU (SPU)
2	234-502	600 (100)
3	234-503	520 (130)
4	234-504	400 (100)
5	234-505	340 (85)
6	234-506	280 (70)
7	234-507	240 (60)
8	234-508	220 (55)
9	234-509	200 (50)
10	234-510	180 (45)
12	234-512	140 (35)



$L = (\text{pole no.} \times \text{pin spacing}) + 2.2 \text{ mm}$



$L = (\text{pole no.} \times \text{pin spacing}) + 2.2 \text{ mm}$

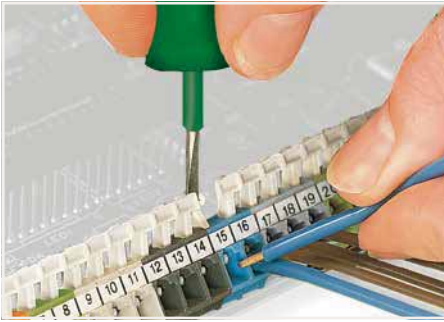
PU = Packaging Unit; SPU = Subpackaging Unit; Dimensions in mm

Other variants can be requested via the WAGO sales department or, if necessary, configured at <https://configurator.wago.com/>:

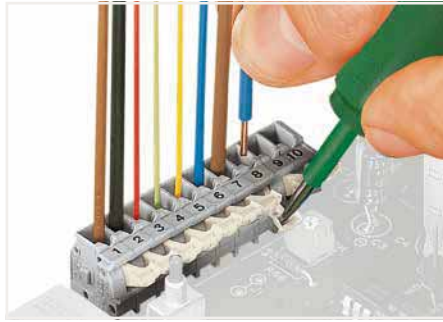
- Other pole numbers
- Other colors
- Mixed-color terminal strips
- Direct marking

# 255, 256 and 257 Series Description and Installation

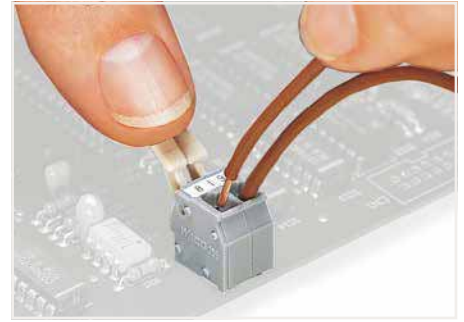
1



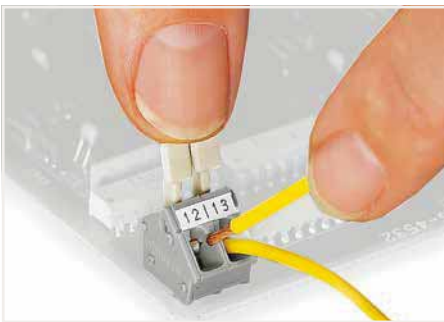
Inserting/removing a conductor – 256 Series.



Inserting/removing a conductor – 255 Series.



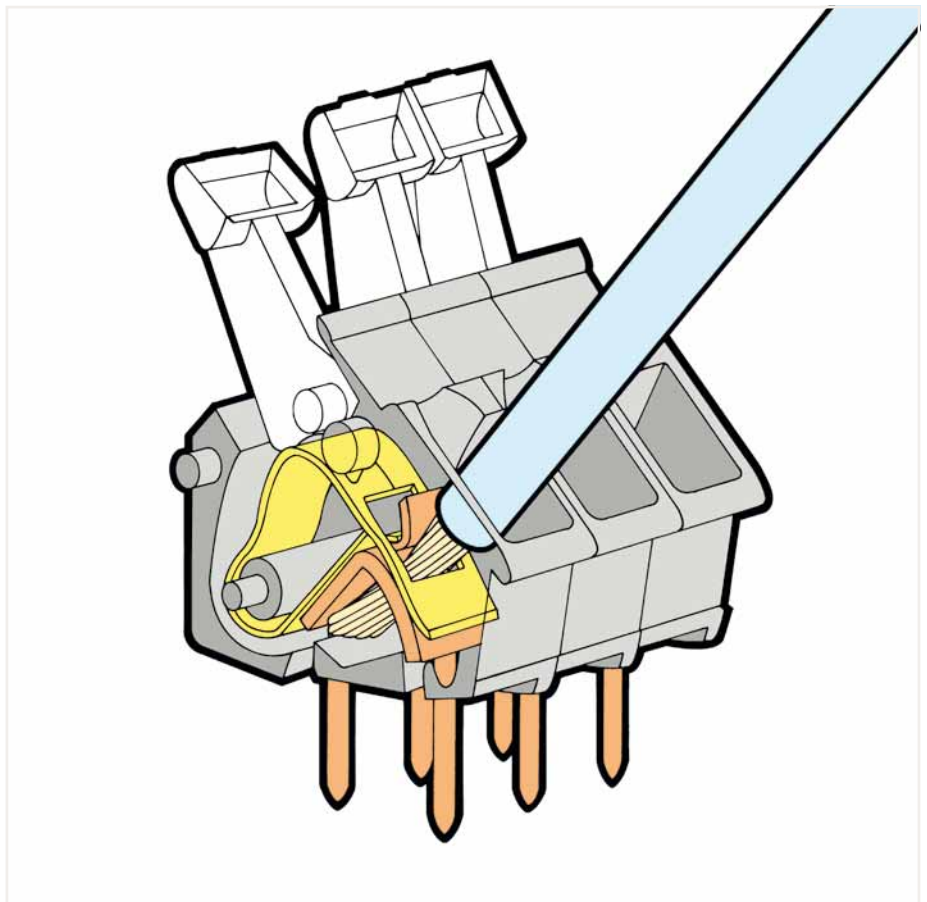
Inserting/removing a conductor via finger-operated lever – 255 Series.



Inserting/removing a conductor via finger-operated lever – 256 Series.



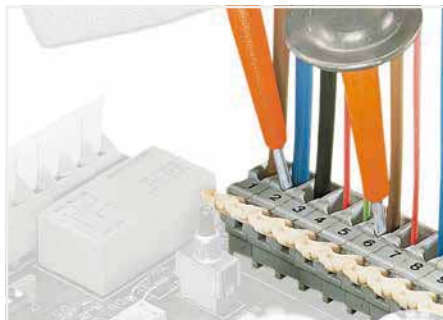
Possible conductor arrangement with terminal strips staggered (for 256 Series only).



255, 256 and 257 Series



Formation of groups using housings of different colors.



Testing with test probes.



Testing with test plug modules.

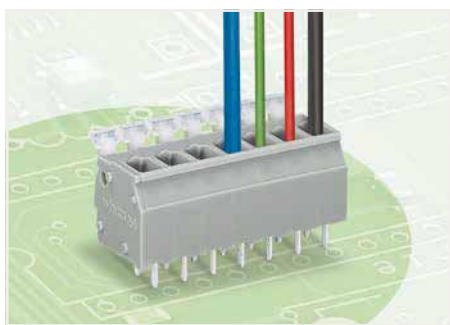




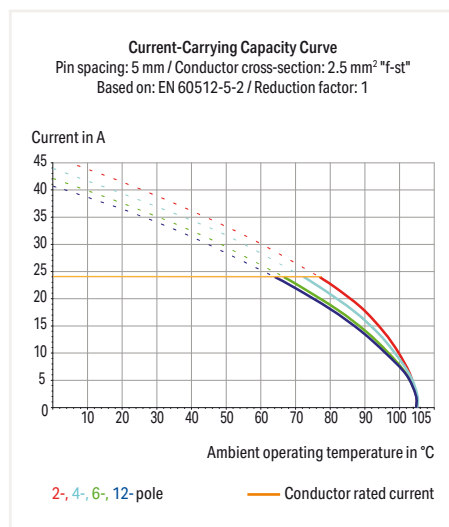
## PCB Terminal Block ▶ 255 Series

CAGE CLAMP® ▶ Actuation type: Push-button ▶ 2.5 mm<sup>2</sup> ▶ Modular terminal block

1



- PCB modular terminal blocks with push-buttons and CAGE CLAMP® connection
- Versions with Ex approval
- Set to metric or inch pin spacing by compressing PCB terminal strips or pulling them apart
- Ideal for in-the-field wiring thanks to simplified push-button actuation
- Convenient, tool-free operation



Electrical Data									
Pin spacing	5/5.08 mm / 0.197/0.2 inch			7.5/7.62 mm / 0.295/0.3 inch			10/10.16 mm / 0.394/0.4 inch		
Ratings per	IEC/EN 60664-1			IEC/EN 60664-1			IEC/EN 60664-1		
Overtoltage category	III	III	II	III	III	II	III	III	II
Pollution degree	3	2	2	3	2	2	3	2	2
Rated voltage	320 V	320 V	630 V	500 V	630 V	1000 V	630 V	1000 V	1000 V
Rated impulse voltage	4 kV	4 kV	4 kV	6 kV	6 kV	6 kV	8 kV	8 kV	8 kV
Rated current	24 A	24 A	24 A	24 A	24 A	24 A	24 A	24 A	24 A
Approvals per	UL 1059			UL 1059			UL 1059		
Use Group	B	C	D	B	C	D	B	C	D
Rated voltage	300 V	-	300 V	300 V	-	300 V	300 V	-	300 V
Rated current	15 A	-	10 A	15 A	-	10 A	15 A	-	10 A
Approvals per	CSA			CSA			CSA		
Use Group	B	C	D	B	C	D	B	C	D
Rated voltage	300 V	-	300 V	300 V	-	300 V	300 V	-	300 V
Rated current	15 A	-	10 A	15 A	-	10 A	15 A	-	10 A

Connection Data	
Connection technology	CAGE CLAMP®
Strip length	5 ... 6 mm / 0.2 ... 0.24 inch
Conductor entry angle to the PCB	90°
Solid conductor	0.08 ... 2.5 mm <sup>2</sup> / 28 ... 12 AWG
Fine-stranded conductor	0.08 ... 2.5 mm <sup>2</sup> / 28 ... 12 AWG
Fine-stranded conductor with ferrule with plastic collar	0.25 ... 1.5 mm <sup>2</sup>
Fine-stranded conductor with ferrule without plastic collar	0.25 ... 1.5 mm <sup>2</sup>
Note (conductor cross-section)	12 AWG: THHN, THWN

Material Data	
Material group	I
Insulating material	Polyamide 66 (PA 66)
Flammability class per UL94	V0
Clamping spring material	Chrome nickel spring steel (CrNi)
Contact material	Electrolytic copper (Ecu)
Contact plating	Tin-plated

Mechanical Data	
Solder pin arrangement	within the terminal block, in line
Solder pin length	4 mm
Solder pin dimensions	0.7 x 0.7 mm
Drilled hole diameter (tolerance)	1.1 <sup>(+0.1)</sup> mm

Ferrule	Page 847
Marking	Page 833
Testing and measuring	Page 252
Tools	Page 838
Commoning strips	Page 248
Additional information, see "Technical Section"	
Approvals and corresponding ratings, visit <a href="http://www.wago.com">www.wago.com</a>	

Environmental Requirements	
Limit temperature range	-60 ... +105 °C

# PCB Terminal Block ▶ 255 Series

## CAGE CLAMP® ▶ Actuation type: Push-button ▶ 2.5 mm<sup>2</sup> ▶ Modular terminal block

Pin spacing: 5/5.08 mm / 0.197/0.2 inch

Pin spacing: 7.5/7.62 mm / 0.295/0.3 inch

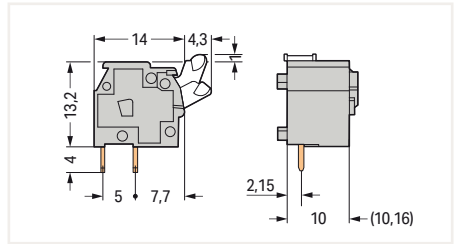
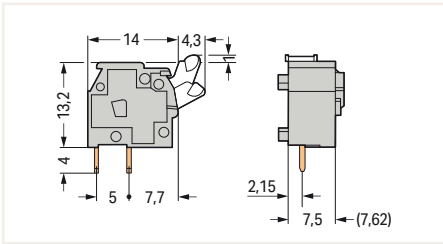
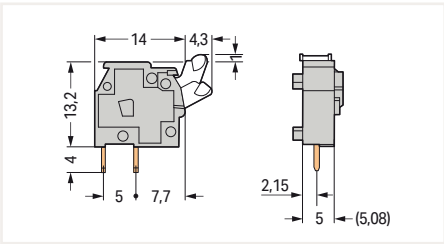
Pin spacing: 10/10.16 mm / 0.394/0.4 inch



Color	Item No.	PU (SPU)
gray	255-401	500 (100)
blue	255-744	500 (100)
orange	255-746	500 (100)
black	255-748	500 (100)
yellow	255-741	500 (100)
light gray	255-743	500 (100)
light green	255-747	500 (100)
red	255-740	500 (100)
dark gray	255-742	500 (100)

Color	Item No.	PU (SPU)
gray	255-501	400 (100)
blue	255-754	400 (100)
orange	255-756	400 (100)
black	255-758	400 (100)
yellow	255-751	400 (100)
light gray	255-753	400 (100)
light green	255-757	400 (100)
red	255-750	400 (100)
dark gray	255-752	400 (100)

Color	Item No.	PU (SPU)
gray	255-601	300 (100)
blue	255-764	300 (100)
orange	255-766	300 (100)
black	255-768	300 (100)
yellow	255-761	300 (100)
light gray	255-763	300 (100)
light green	255-767	300 (100)
red	255-760	300 (100)
dark gray	255-762	300 (100)



### Accessories; for all products on this page



End plate; 1 mm; snap-on type		
Color	Item No.	PU (SPU)
gray	255-100	2000 (100)
blue	255-400	2000 (100)
orange	255-600	2000 (100)
black	255-800	2000 (100)
light gray	255-300	2000 (100)
light green	255-700	2000 (100)
red	255-500	2000 (100)
dark gray	255-200	2000 (100)



intermediate plate; extends pin spacing; Pin spacing: 5/5.08 mm / 0.197/0.2 inch		
Color	Item No.	PU (SPU)
gray	255-801	500 (100)



intermediate plate; extends pin spacing; Pin spacing: 7.5/7.62 mm / 0.295/0.3 inch		
Color	Item No.	PU (SPU)
gray	255-811	400 (100)



intermediate plate; extends pin spacing; Pin spacing: 10/10.16 mm / 0.394/0.4 inch		
Color	Item No.	PU (SPU)
gray	255-821	500 (100)

PU = Packaging Unit; SPU = Subpackaging Unit; Dimensions in mm

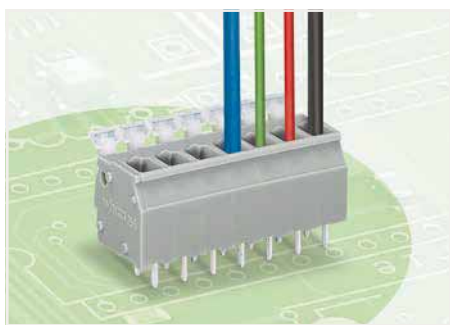
Other variants can be requested via the WAGO sales department or, if necessary, configured at <https://configurator.wago.com/>:

- Other colors
- Versions for Ex e II and Ex i

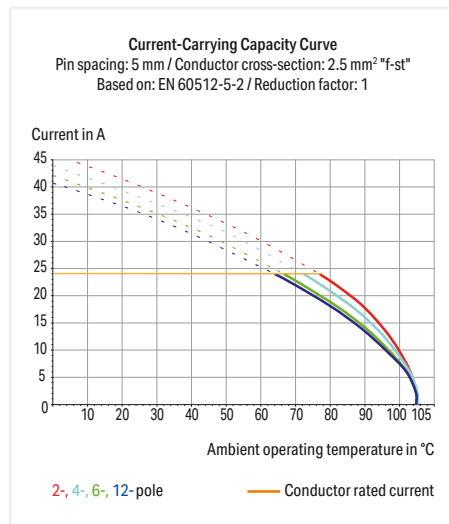
## PCB Terminal Block ▶ 255 Series

CAGE CLAMP® ▶ Actuation type: Push-button ▶ 2.5 mm<sup>2</sup> ▶ Terminal strip ▶ Color: gray

1



- PCB terminal strips with push-buttons and CAGE CLAMP® connection
- Versions with Ex approval
- Set to metric or inch pin spacing by compressing PCB terminal strips or pulling them apart
- Ideal for in-the-field wiring thanks to simplified push-button actuation
- Convenient, tool-free operation

**Electrical Data**

Pin spacing	5/5.08 mm / 0.197/0.2 inch			7.5/7.62 mm / 0.295/0.3 inch			10/10.16 mm / 0.394/0.4 inch		
	IEC/EN 60664-1								
Ratings per	IEC/EN 60664-1			IEC/EN 60664-1			IEC/EN 60664-1		
Overtoltage category	III	III	II	III	III	II	III	III	II
Pollution degree	3	2	2	3	2	2	3	2	2
Rated voltage	320 V	320 V	630 V	500 V	630 V	1000 V	630 V	1000 V	1000 V
Rated impulse voltage	4 kV	4 kV	4 kV	6 kV	6 kV	6 kV	8 kV	8 kV	8 kV
Rated current	24 A	24 A	24 A	24 A	24 A	24 A	24 A	24 A	24 A

Approvals per	UL 1059			UL 1059			UL 1059		
	Use Group								
Use Group	B	C	D	B	C	D	B	C	D
Rated voltage	300 V	-	300 V	300 V	-	300 V	300 V	-	300 V
Rated current	15 A	-	10 A	15 A	-	10 A	15 A	-	10 A

Approvals per	CSA			CSA			CSA		
	Use Group								
Use Group	B	C	D	B	C	D	B	C	D
Rated voltage	300 V	-	300 V	300 V	-	300 V	300 V	-	300 V
Rated current	15 A	-	10 A	15 A	-	10 A	15 A	-	10 A

**Connection Data**

Connection technology	CAGE CLAMP®
Strip length	5 ... 6 mm / 0.2 ... 0.24 inch
Conductor entry angle to the PCB	90°
Fine-stranded conductor	0.08 ... 2.5 mm <sup>2</sup> / 28 ... 12 AWG
Fine-stranded conductor with ferrule with plastic collar	0.25 ... 1.5 mm <sup>2</sup>
Fine-stranded conductor with ferrule without plastic collar	0.25 ... 1.5 mm <sup>2</sup>
Note (conductor cross-section)	12 AWG: THHN, THWN

**Material Data**

Material group	I
Insulating material	Polyamide 66 (PA 66)
Flammability class per UL94	V0
Clamping spring material	Chrome nickel spring steel (CrNi)
Contact material	Electrolytic copper (Ecu)
Contact plating	Tin-plated

**Mechanical Data**

Solder pin arrangement	Over the entire terminal strip, in line
Solder pin length	4 mm
Solder pin dimensions	0.7 x 0.7 mm
Drilled hole diameter (tolerance)	1.1 <sup>(+0.1)</sup> mm

**Environmental Requirements**

Limit temperature range	-60 ... +105 °C
-------------------------	-----------------

Ferrule Page 847

Marking Page 833

Testing and measuring Page 252

Tools Page 838

Commoning strips Page 248

Additional information, see "Technical Section"

Approvals and corresponding ratings, visit [www.wago.com](http://www.wago.com)

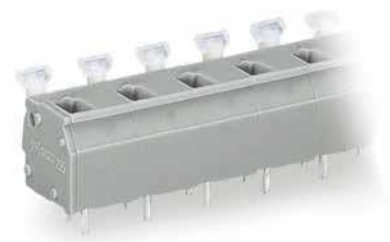
## PCB Terminal Block ▶ 255 Series

CAGE CLAMP® ▶ Actuation type: Push-button ▶ 2.5 mm<sup>2</sup> ▶ Terminal strip ▶ Color: gray

Pin spacing: 5/5.08 mm / 0.197/0.2 inch

Pin spacing: 7.5/7.62 mm / 0.295/0.3 inch

Pin spacing: 10/10.16 mm / 0.394/0.4 inch

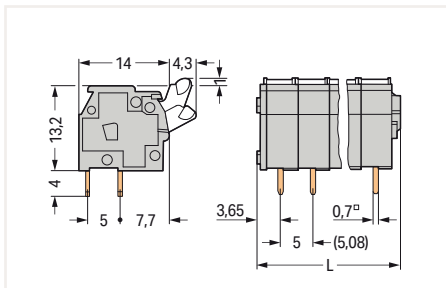


1

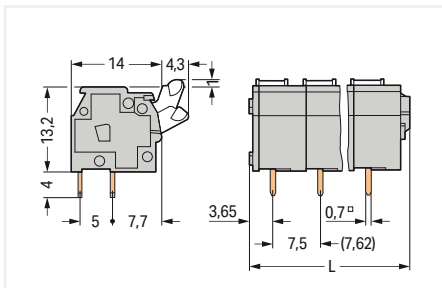
Pole No.	Item No.	PU (SPU)
2	255-402	400 (100)
3	255-403	280 (70)
4	255-404	200 (50)
5	255-405	160 (40)
6	255-406	140 (35)
7	255-407	120 (30)
8	255-408	100 (25)
9	255-409	100 (25)
10	255-410	80 (20)
12	255-412	60 (15)

Pole No.	Item No.	PU (SPU)
2	255-502	280 (70)
3	255-503	180 (45)
4	255-504	140 (35)
5	255-505	120 (30)
6	255-506	100 (25)
7	255-507	80 (20)
8	255-508	60 (15)
9	255-509	60 (15)
10	255-510	60 (15)
12	255-512	40 (10)

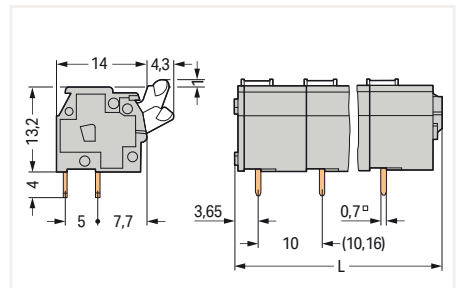
Pole No.	Item No.	PU (SPU)
2	255-602	200 (50)
3	255-603	140 (35)
4	255-604	100 (25)
5	255-605	80 (20)
6	255-606	60 (15)
7	255-607	60 (15)
8	255-608	60 (15)
9	255-609	40 (10)
10	255-610	40 (10)
12	255-612	40 (10)



L = (pole no. x pin spacing) + 2.9 mm



L = (pole no. x pin spacing) + 2.9 mm



L = (pole no. x pin spacing) + 2.9 mm

PU = Packaging Unit; SPU = Subpackaging Unit; Dimensions in mm

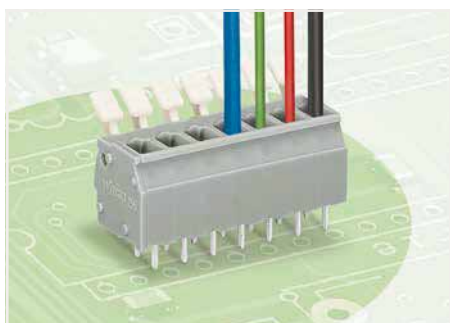
Other variants can be requested via the WAGO sales department or, if necessary, configured at <https://configurator.wago.com/>:

- Other pole numbers
- Versions for Ex e II and Ex i
- Other colors
- Mixed-color terminal strips
- Direct marking

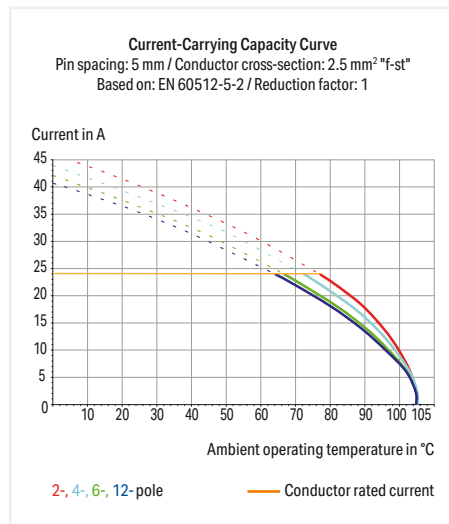
## PCB Terminal Block ▶ 255 Series

CAGE CLAMP® ▶ Actuation type: Finger-operated lever ▶ 2.5 mm<sup>2</sup> ▶ Terminal strip ▶ Color: gray

1



- PCB terminal strips with push-buttons and CAGE CLAMP® connection
- Versions with Ex approval
- Set to metric or inch pin spacing by compressing PCB terminal strips or pulling them apart
- Ideal for in-the-field wiring thanks to simplified push-button actuation
- Convenient, tool-free operation

**Electrical Data**

Pin spacing	5/5.08 mm / 0.197/0.2 inch			7.5/7.62 mm / 0.295/0.3 inch			10/10.16 mm / 0.394/0.4 inch		
	IEC/EN 60664-1			IEC/EN 60664-1			IEC/EN 60664-1		
Ratings per									
Overtoltage category	III	III	II	III	III	II	III	III	II
Pollution degree	3	2	2	3	2	2	3	2	2
Rated voltage	320 V	320 V	630 V	500 V	630 V	1000 V	630 V	1000 V	1000 V
Rated impulse voltage	4 kV	4 kV	4 kV	6 kV	6 kV	6 kV	8 kV	8 kV	8 kV
Rated current	24 A	24 A	24 A	24 A	24 A	24 A	24 A	24 A	24 A

Approvals per	UL 1059			UL 1059			UL 1059		
	B	C	D	B	C	D	B	C	D
Use Group	B	C	D	B	C	D	B	C	D
Rated voltage	300 V	-	300 V	300 V	-	300 V	300 V	-	300 V
Rated current	15 A	-	10 A	15 A	-	10 A	15 A	-	10 A

Approvals per	CSA			CSA			CSA		
	B	C	D	B	C	D	B	C	D
Use Group	B	C	D	B	C	D	B	C	D
Rated voltage	300 V	-	300 V	300 V	-	300 V	300 V	-	300 V
Rated current	15 A	-	10 A	15 A	-	10 A	15 A	-	10 A

**Connection Data**

Connection technology	CAGE CLAMP®
Strip length	5 ... 6 mm / 0.2 ... 0.24 inch
Conductor entry angle to the PCB	90°
Fine-stranded conductor	0.08 ... 2.5 mm <sup>2</sup> / 28 ... 12 AWG
Fine-stranded conductor with ferrule with plastic collar	0.25 ... 1.5 mm <sup>2</sup>
Fine-stranded conductor with ferrule without plastic collar	0.25 ... 1.5 mm <sup>2</sup>
Note (conductor cross-section)	12 AWG: THHN, THWN

**Material Data**

Material group	I
Insulating material	Polyamide 66 (PA 66)
Flammability class per UL94	V0
Clamping spring material	Chrome nickel spring steel (CrNi)
Contact material	Electrolytic copper (Ecu)
Contact plating	Tin-plated

**Mechanical Data**

Solder pin arrangement	Over the entire terminal strip, in line
Solder pin length	4 mm
Solder pin dimensions	0.7 x 0.7 mm
Drilled hole diameter (tolerance)	1.1 <sup>(+0.1)</sup> mm

**Environmental Requirements**

Limit temperature range	-60 ... +105 °C
-------------------------	-----------------

Ferrule Page 847

Marking Page 833

Testing and measuring Page 252

Commoning strips Page 248

Additional information, see "Technical Section"

Approvals and corresponding ratings, visit [www.wago.com](http://www.wago.com)

## PCB Terminal Block ▶ 255 Series

CAGE CLAMP® ▶ Actuation type: Finger-operated lever ▶ 2.5 mm<sup>2</sup> ▶ Terminal strip ▶ Color: gray

Pin spacing: 5/5.08 mm / 0.197/0.2 inch

Pin spacing: 7.5/7.62 mm / 0.295/0.3 inch

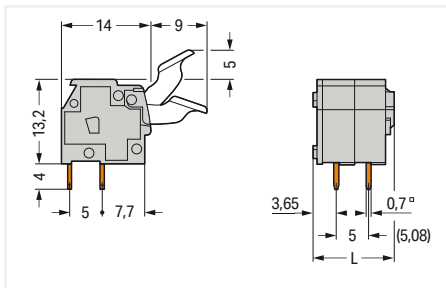
Pin spacing: 10/10.16 mm / 0.394/0.4 inch



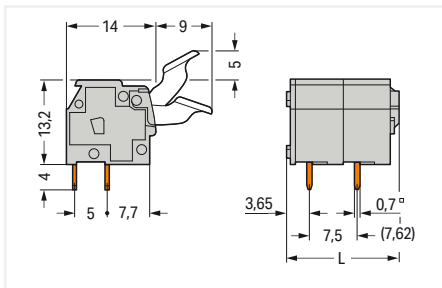
Pole No.	Item No.	PU (SPU)
2	255-402/333-000	400 (100)
3	255-403/333-000	280 (70)
4	255-404/333-000	200 (50)
5	255-405/333-000	160 (40)
6	255-406/333-000	140 (35)
7	255-407/333-000	120 (30)
8	255-408/333-000	100 (25)
9	255-409/333-000	100 (25)
10	255-410/333-000	80 (20)
12	255-412/333-000	60 (15)

Pole No.	Item No.	PU (SPU)
2	255-502/333-000	280 (70)
3	255-503/333-000	180 (45)
4	255-504/333-000	140 (35)
5	255-505/333-000	120 (30)
6	255-506/333-000	100 (25)
7	255-507/333-000	80 (20)
8	255-508/333-000	60 (15)
9	255-509/333-000	60 (15)
10	255-510/333-000	60 (15)
12	255-512/333-000	40 (10)

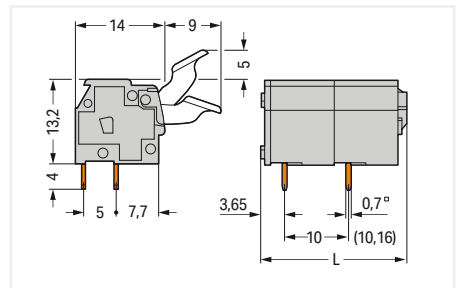
Pole No.	Item No.	PU (SPU)
2	255-602/333-000	200 (50)
3	255-603/333-000	140 (35)
4	255-604/333-000	100 (25)
5	255-605/333-000	80 (20)
6	255-606/333-000	60 (15)
7	255-607/333-000	60 (15)
8	255-608/333-000	60 (15)
9	255-609/333-000	40 (10)
10	255-610/333-000	40 (10)
12	255-612/333-000	40 (10)



L = (pole no. x pin spacing) + 2.9 mm



L = (pole no. x pin spacing) + 2.9 mm



L = (pole no. x pin spacing) + 2.9 mm

PU = Packaging Unit; SPU = Subpackaging Unit; Dimensions in mm

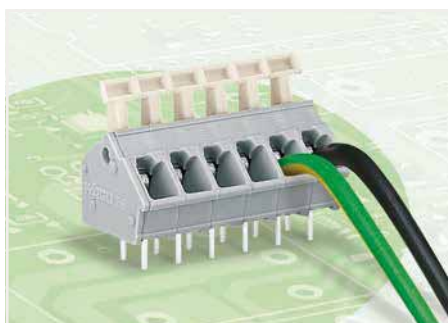
Other variants can be requested via the WAGO sales department or, if necessary, configured at <https://configurator.wago.com/>:

- Other pole numbers
- Versions for Ex e II and Ex i
- Other colors
- Mixed-color terminal strips
- Direct marking

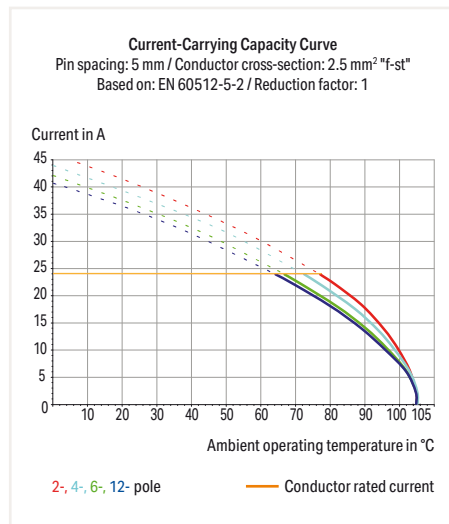
## PCB Terminal Block ▶ 256 Series

CAGE CLAMP® ▶ Actuation type: Push-button ▶ 2.5 mm<sup>2</sup> ▶ Modular terminal block

1



- PCB modular terminal blocks with push-buttons and CAGE CLAMP® connection
- Versions with Ex approval
- Set to metric or inch pin spacing by compressing PCB terminal strips or pulling them apart
- Ideal for in-the-field wiring thanks to simplified push-button actuation
- Convenient, tool-free operation



Electrical Data									
Pin spacing	5/5.08 mm / 0.197/0.2 inch			7.5/7.62 mm / 0.295/0.3 inch			10/10.16 mm / 0.394/0.4 inch		
Ratings per	IEC/EN 60664-1			IEC/EN 60664-1			IEC/EN 60664-1		
Overtoltage category	III	III	II	III	III	II	III	III	II
Pollution degree	3	2	2	3	2	2	3	2	2
Rated voltage	250 V	320 V	630 V	320 V	320 V	630 V	500 V	630 V	1000 V
Rated impulse voltage	4 kV	4 kV	4 kV	4 kV	4 kV	4 kV	6 kV	6 kV	6 kV
Rated current	24 A	24 A	24 A	24 A	24 A	24 A	24 A	24 A	24 A
Approvals per	UL 1059			UL 1059			UL 1059		
Use Group	B	C	D	B	C	D	B	C	D
Rated voltage	300 V	-	300 V	300 V	-	300 V	300 V	-	300 V
Rated current	15 A	-	10 A	15 A	-	10 A	15 A	-	10 A
Approvals per	CSA			CSA			CSA		
Use Group	B	C	D	B	C	D	B	C	D
Rated voltage	300 V	-	300 V	300 V	-	300 V	300 V	-	300 V
Rated current	15 A	-	10 A	15 A	-	10 A	15 A	-	10 A

Connection Data	
Connection technology	CAGE CLAMP®
Strip length	5 ... 6 mm / 0.2 ... 0.24 inch
Conductor entry angle to the PCB	45°
Solid conductor	0.08 ... 2.5 mm <sup>2</sup> / 28 ... 12 AWG
Fine-stranded conductor	0.08 ... 2.5 mm <sup>2</sup> / 28 ... 12 AWG
Fine-stranded conductor with ferrule with plastic collar	0.25 ... 1.5 mm <sup>2</sup>
Fine-stranded conductor with ferrule without plastic collar	0.25 ... 1.5 mm <sup>2</sup>
Note (conductor cross-section)	12 AWG: THHN, THWN

Material Data	
Material group	I
Insulating material	Polyamide 66 (PA 66)
Flammability class per UL94	V0
Clamping spring material	Chrome nickel spring steel (CrNi)
Contact material	Electrolytic copper (Ecu)
Contact plating	Tin-plated

Mechanical Data	
Solder pin arrangement	within the terminal block, in line
Solder pin length	4 mm
Solder pin dimensions	0.7 x 0.7 mm
Drilled hole diameter (tolerance)	1.1 <sup>(+0.1)</sup> mm

Environmental Requirements	
Limit temperature range	-60 ... +105 °C

Ferrule	Page 847
Marking	Page 833
Testing and measuring	Page 252
Tools	Page 838
Commoning strips	Page 248
Additional information, see "Technical Section"	
Approvals and corresponding ratings, visit <a href="http://www.wago.com">www.wago.com</a>	



# PCB Terminal Block ▶ 256 Series

## CAGE CLAMP® ▶ Actuation type: Push-button ▶ 2.5 mm<sup>2</sup> ▶ Modular terminal block

Pin spacing: 5/5.08 mm / 0.197/0.2 inch

Pin spacing: 7.5/7.62 mm / 0.295/0.3 inch

Pin spacing: 10/10.16 mm / 0.394/0.4 inch

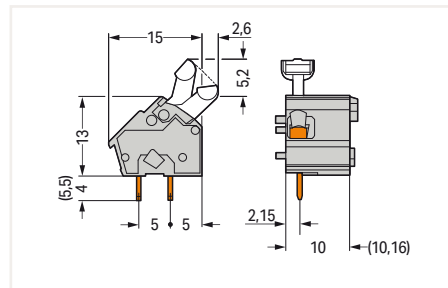
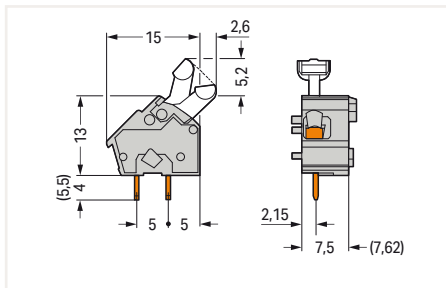
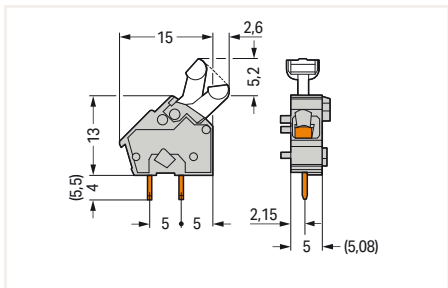


1

Color	Item No.	PU (SPU)
gray	256-401	600 (100)
blue	256-744	600 (100)
orange	256-746	600 (100)
light gray	256-743	600 (100)
light green	256-747	600 (100)
red	256-740	600 (100)
dark gray	256-742	600 (100)

Color	Item No.	PU (SPU)
gray	256-501	400 (100)
blue	256-754	400 (100)
orange	256-756	400 (100)
light gray	256-753	400 (100)
light green	256-757	400 (100)
red	256-750	400 (100)
dark gray	256-752	400 (100)

Color	Item No.	PU (SPU)
gray	256-601	300 (100)
blue	256-764	300 (100)
orange	256-766	300 (100)
light gray	256-763	300 (100)
light green	256-767	300 (100)
red	256-760	300 (100)
dark gray	256-762	300 (100)



Accessories; for all products on this page



End plate; 1 mm; snap-on type

Color	Item No.	PU (SPU)
gray	256-100	2000 (100)
blue	256-400	2000 (100)
orange	256-600	2000 (100)
black	256-800	2000 (100)
light gray	256-300	2000 (100)
light green	256-700	2000 (100)
red	256-500	2000 (100)
dark gray	256-200	2000 (100)

PU = Packaging Unit; SPU = Subpackaging Unit; Dimensions in mm

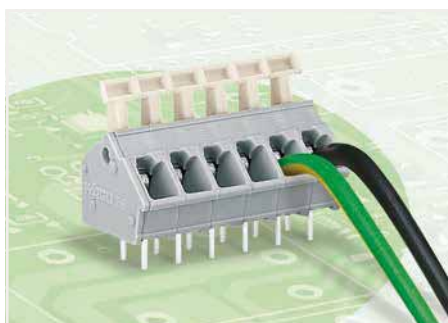
Other variants can be requested via the WAGO sales department or, if necessary, configured at <https://configurator.wago.com/>:

- Other colors
- Versions for Ex e II and Ex i
- Solder pin length: 5.5 mm

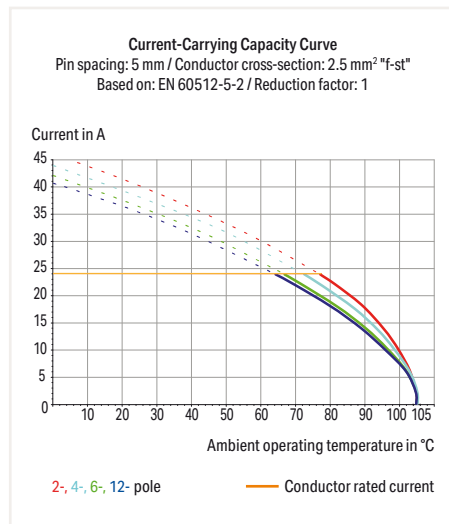
## PCB Terminal Block ▶ 256 Series

CAGE CLAMP® ▶ Actuation type: Push-button ▶ 2.5 mm<sup>2</sup> ▶ Terminal strip ▶ Color: gray

1



- PCB terminal strips with push-buttons and CAGE CLAMP® connection
- Versions with Ex approval
- Set to metric or inch pin spacing by compressing PCB terminal strips or pulling them apart
- Ideal for in-the-field wiring thanks to simplified push-button actuation
- Convenient, tool-free operation



Electrical Data									
Pin spacing	5/5.08 mm / 0.197/0.2 inch			7.5/7.62 mm / 0.295/0.3 inch			10/10.16 mm / 0.394/0.4 inch		
Ratings per	IEC/EN 60664-1			IEC/EN 60664-1			IEC/EN 60664-1		
Overtoltage category	III	III	II	III	III	II	III	III	II
Pollution degree	3	2	2	3	2	2	3	2	2
Rated voltage	250 V	320 V	630 V	320 V	320 V	630 V	500 V	1000 V	1000 V
Rated impulse voltage	4 kV	4 kV	4 kV	4 kV	4 kV	4 kV	6 kV	6 kV	6 kV
Rated current	24 A	24 A	24 A	24 A	24 A	24 A	24 A	24 A	24 A
Approvals per	UL 1059			UL 1059			UL 1059		
Use Group	B	C	D	B	C	D	B	C	D
Rated voltage	300 V	-	300 V	300 V	-	300 V	300 V	-	300 V
Rated current	15 A	-	10 A	15 A	-	10 A	15 A	-	10 A
Approvals per	CSA			CSA			CSA		
Use Group	B	C	D	B	C	D	B	C	D
Rated voltage	300 V	-	300 V	300 V	-	300 V	300 V	-	300 V
Rated current	15 A	-	10 A	15 A	-	10 A	15 A	-	10 A

Connection Data	
Connection technology	CAGE CLAMP®
Strip length	5 ... 6 mm / 0.2 ... 0.24 inch
Conductor entry angle to the PCB	45°
Solid conductor	0.08 ... 2.5 mm <sup>2</sup> / 28 ... 12 AWG
Fine-stranded conductor	0.08 ... 2.5 mm <sup>2</sup> / 28 ... 12 AWG
Fine-stranded conductor with ferrule with plastic collar	0.25 ... 1.5 mm <sup>2</sup>
Fine-stranded conductor with ferrule without plastic collar	0.25 ... 1.5 mm <sup>2</sup>
Note (conductor cross-section)	12 AWG: THHN, THWN

Material Data	
Material group	I
Insulating material	Polyamide 66 (PA 66)
Flammability class per UL94	V0
Clamping spring material	Chrome nickel spring steel (CrNi)
Contact material	Electrolytic copper (Ecu)
Contact plating	Tin-plated

Mechanical Data	
Solder pin arrangement	Over the entire terminal strip, in line
Solder pin length	4 mm
Solder pin dimensions	0.7 x 0.7 mm
Drilled hole diameter (tolerance)	1.1 <sup>(+0.1)</sup> mm

Environmental Requirements	
Limit temperature range	-60 ... +105 °C

Ferrule	Page 847
Marking	Page 833
Testing and measuring	Page 252
Tools	Page 838
Commoning strips	Page 248
Additional information, see "Technical Section"	
Approvals and corresponding ratings, visit <a href="http://www.wago.com">www.wago.com</a>	

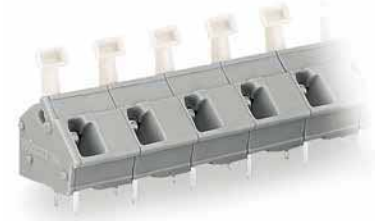
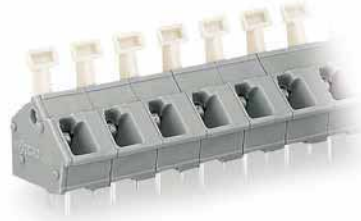
# PCB Terminal Block ▶ 256 Series

## CAGE CLAMP® ▶ Actuation type: Push-button ▶ 2.5 mm<sup>2</sup> ▶ Terminal strip ▶ Color: gray

Pin spacing: 5/5.08 mm / 0.197/0.2 inch

Pin spacing: 7.5/7.62 mm / 0.295/0.3 inch

Pin spacing: 10/10.16 mm / 0.394/0.4 inch

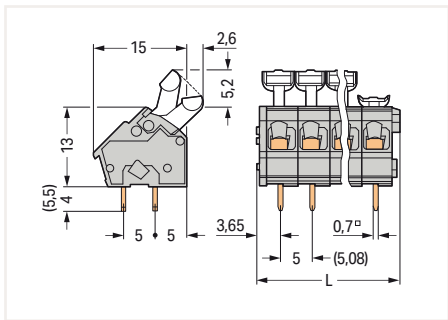


1

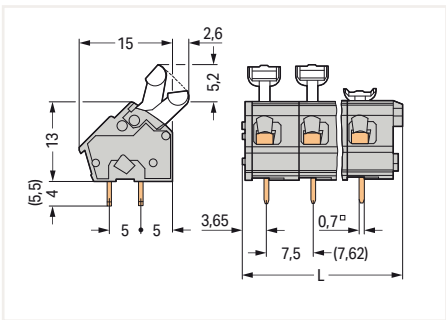
Pole No.	Item No.	PU (SPU)
2	256-402	400 (100)
3	256-403	280 (70)
4	256-404	200 (50)
5	256-405	160 (40)
6	256-406	140 (35)
7	256-407	120 (30)
8	256-408	100 (25)
9	256-409	100 (25)
10	256-410	80 (20)
12	256-412	60 (15)

Pole No.	Item No.	PU (SPU)
2	256-502	280 (70)
3	256-503	180 (45)
4	256-504	140 (35)
5	256-505	120 (30)
6	256-506	100 (25)
7	256-507	80 (20)
8	256-508	60 (15)
9	256-509	60 (15)
10	256-510	60 (15)
12	256-512	40 (10)

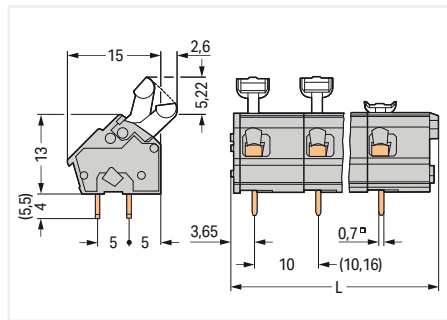
Pole No.	Item No.	PU (SPU)
2	256-602	200 (50)
3	256-603	140 (35)
4	256-604	100 (25)
5	256-605	80 (20)
6	256-606	60 (15)
7	256-607	60 (15)
8	256-608	60 (15)
9	256-609	40 (10)
10	256-610	40 (10)
12	256-612	40 (10)



L = (pole no. x pin spacing) + 2.9 mm



L = (pole no. x pin spacing) + 2.9 mm



L = (pole no. x pin spacing) + 2.9 mm

PU = Packaging Unit; SPU = Subpackaging Unit; Dimensions in mm

Other variants can be requested via the WAGO sales department or, if necessary, configured at <https://configurator.wago.com/>:

- Other pole numbers
- Versions for Ex e II and Ex i
- Other colors
- Mixed-color terminal strips
- Direct marking

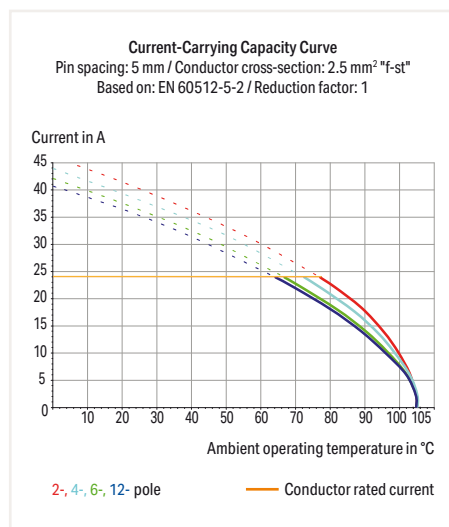
## PCB Terminal Block ▶ 256 Series

CAGE CLAMP® ▶ Actuation type: Push-button, angled ▶ 2.5 mm<sup>2</sup> ▶ Modular terminal block

1



- PCB terminal blocks with angled push-buttons and CAGE CLAMP® connection
- Version with angled push-buttons for easy top-of-unit actuation
- Set to metric or inch pin spacing by compressing PCB terminal strips or pulling them apart
- Ideal for in-the-field wiring thanks to simplified push-button actuation
- Convenient, tool-free operation



Electrical Data									
Pin spacing	5/5.08 mm / 0.197/0.2 inch			7.5/7.62 mm / 0.295/0.3 inch			10/10.16 mm / 0.394/0.4 inch		
Ratings per	IEC/EN 60664-1			IEC/EN 60664-1			IEC/EN 60664-1		
Overtoltage category	III	III	II	III	III	II	III	III	II
Pollution degree	3	2	2	3	2	2	3	2	2
Rated voltage	250 V	320 V	630 V	320 V	320 V	630 V	500 V	630 V	1000 V
Rated impulse voltage	4 kV	4 kV	4 kV	4 kV	4 kV	4 kV	6 kV	6 kV	6 kV
Rated current	24 A	24 A	24 A	24 A	24 A	24 A	24 A	24 A	24 A
Approvals per	UL 1059			UL 1059			UL 1059		
Use Group	B	C	D	B	C	D	B	C	D
Rated voltage	300 V	-	300 V	300 V	-	300 V	300 V	-	300 V
Rated current	15 A	-	10 A	15 A	-	10 A	15 A	-	10 A
Approvals per	CSA			CSA			CSA		
Use Group	B	C	D	B	C	D	B	C	D
Rated voltage	300 V	-	300 V	300 V	-	300 V	300 V	-	300 V
Rated current	15 A	-	10 A	15 A	-	10 A	15 A	-	10 A

Connection Data	
Connection technology	CAGE CLAMP®
Strip length	5 ... 6 mm / 0.2 ... 0.24 inch
Conductor entry angle to the PCB	45°
Solid conductor	0.08 ... 2.5 mm <sup>2</sup> / 28 ... 12 AWG
Fine-stranded conductor	0.08 ... 2.5 mm <sup>2</sup> / 28 ... 12 AWG
Fine-stranded conductor with ferrule with plastic collar	0.25 ... 1.5 mm <sup>2</sup>
Fine-stranded conductor with ferrule without plastic collar	0.25 ... 1.5 mm <sup>2</sup>
Note (conductor cross-section)	12 AWG: THHN, THWN

Material Data	
Material group	I
Insulating material	Polyamide 66 (PA 66)
Flammability class per UL94	V0
Clamping spring material	Chrome nickel spring steel (CrNi)
Contact material	Electrolytic copper (Ecu)
Contact plating	Tin-plated

Mechanical Data	
Solder pin arrangement	within the terminal block, in line
Solder pin length	4 mm
Solder pin dimensions	0.7 x 0.7 mm
Drilled hole diameter (tolerance)	1.1 <sup>(+0.1)</sup> mm

Ferrule	Page 847
Marking	Page 833
Testing and measuring	Page 252
Tools	Page 838
Commoning strips	Page 248
Additional information, see "Technical Section"	
Approvals and corresponding ratings, visit <a href="http://www.wago.com">www.wago.com</a>	

Environmental Requirements	
Limit temperature range	-60 ... +105 °C

# PCB Terminal Block ▶ 256 Series

## CAGE CLAMP® ▶ Actuation type: Push-button, angled ▶ 2.5 mm<sup>2</sup> ▶ Modular terminal block

Pin spacing: 5/5.08 mm / 0.197/0.2 inch

Pin spacing: 7.5/7.62 mm / 0.295/0.3 inch

Pin spacing: 10/10.16 mm / 0.394/0.4 inch

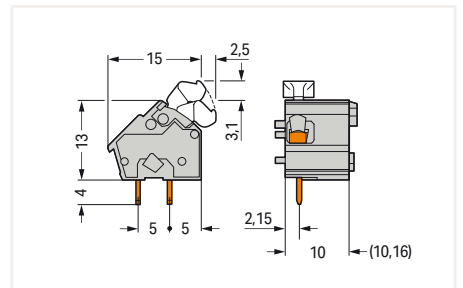
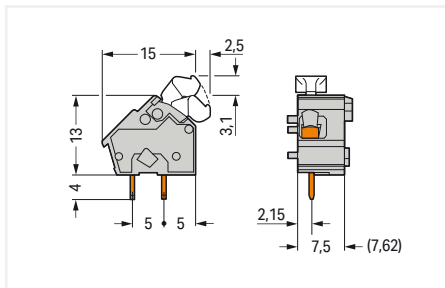
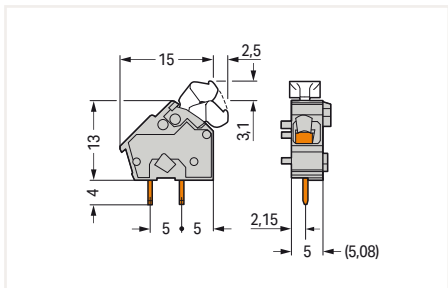


1

Color	Item No.	PU (SPU)
gray	256-461	600 (100)
blue	256-844	600 (100)
orange	256-846	600 (100)
light gray	256-843	600 (100)
light green	256-847	600 (100)
red	256-840	600 (100)
dark gray	256-842	600 (100)

Color	Item No.	PU (SPU)
gray	256-561	400 (100)
blue	256-854	400 (100)
orange	256-856	400 (100)
light gray	256-853	400 (100)
light green	256-857	400 (100)
red	256-850	400 (100)
dark gray	256-852	400 (100)

Color	Item No.	PU (SPU)
gray	256-661	300 (100)
blue	256-864	300 (100)
orange	256-866	300 (100)
light gray	256-863	300 (100)
light green	256-867	300 (100)
red	256-860	300 (100)
dark gray	256-862	300 (100)



Accessories; for all products on this page



End plate; 1 mm; snap-on type

Color	Item No.	PU (SPU)
gray	256-100	2000 (100)
blue	256-400	2000 (100)
orange	256-600	2000 (100)
black	256-800	2000 (100)
light gray	256-300	2000 (100)
light green	256-700	2000 (100)
red	256-500	2000 (100)
dark gray	256-200	2000 (100)

PU = Packaging Unit; SPU = Subpackaging Unit; Dimensions in mm

Other variants can be requested via the WAGO sales department or, if necessary, configured at <https://configurator.wago.com/>:

- Other colors
- Versions for Ex e II and Ex i
- Solder pin length: 5.5 mm

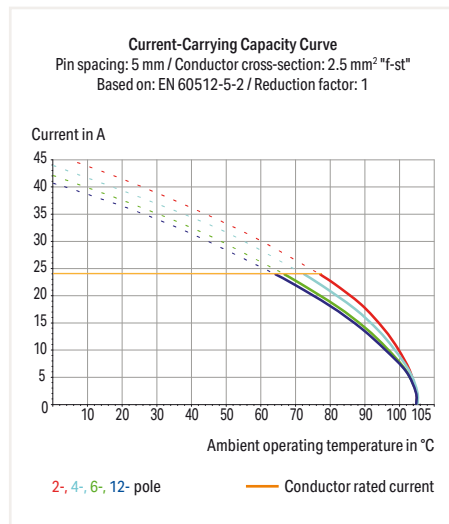
## PCB Terminal Block ▶ 256 Series

CAGE CLAMP® ▶ Actuation type: Push-button, angled ▶ 2.5 mm<sup>2</sup> ▶ Terminal strip ▶ Color: gray

1



- PCB terminal blocks with angled push-buttons and CAGE CLAMP® connection
- Version with angled push-buttons for easy top-of-unit actuation
- Set to metric or inch pin spacing by compressing PCB terminal strips or pulling them apart
- Ideal for in-the-field wiring thanks to simplified push-button actuation
- Convenient, tool-free operation

**Electrical Data**

Pin spacing	5/5.08 mm / 0.197/0.2 inch			7.5/7.62 mm / 0.295/0.3 inch			10/10.16 mm / 0.394/0.4 inch		
Ratings per	IEC/EN 60664-1			IEC/EN 60664-1			IEC/EN 60664-1		
Overtoltage category	III	III	II	III	III	II	III	III	II
Pollution degree	3	2	2	3	2	2	3	2	2
Rated voltage	250 V	320 V	630 V	320 V	320 V	630 V	500 V	630 V	1000 V
Rated impulse voltage	4 kV	4 kV	4 kV	4 kV	4 kV	4 kV	6 kV	6 kV	6 kV
Rated current	24 A	24 A	24 A	24 A	24 A	24 A	24 A	24 A	24 A

Approvals per	UL 1059			UL 1059			UL 1059		
Use Group	B	C	D	B	C	D	B	C	D
Rated voltage	300 V	-	300 V	300 V	-	300 V	300 V	-	300 V
Rated current	15 A	-	10 A	15 A	-	10 A	15 A	-	10 A

Approvals per	CSA			CSA			CSA		
Use Group	B	C	D	B	C	D	B	C	D
Rated voltage	300 V	-	300 V	300 V	-	300 V	300 V	-	300 V
Rated current	15 A	-	10 A	15 A	-	10 A	15 A	-	10 A

**Connection Data**

Connection technology	CAGE CLAMP®
Strip length	5 ... 6 mm / 0.2 ... 0.24 inch
Conductor entry angle to the PCB	45°
Solid conductor	0.08 ... 2.5 mm <sup>2</sup> / 28 ... 12 AWG
Fine-stranded conductor	0.08 ... 2.5 mm <sup>2</sup> / 28 ... 12 AWG
Fine-stranded conductor with ferrule with plastic collar	0.25 ... 1.5 mm <sup>2</sup>
Fine-stranded conductor with ferrule without plastic collar	0.25 ... 1.5 mm <sup>2</sup>
Note (conductor cross-section)	12 AWG: THHN, THWN

**Material Data**

Material group	I
Insulating material	Polyamide 66 (PA 66)
Flammability class per UL94	V0
Clamping spring material	Chrome nickel spring steel (CrNi)
Contact material	Electrolytic copper (Ecu)
Contact plating	Tin-plated

**Mechanical Data**

Solder pin arrangement	Over the entire terminal strip, in line
Solder pin dimensions	0.7 x 0.7 mm
Drilled hole diameter (tolerance)	1.1 <sup>(+0.1)</sup> mm

**Environmental Requirements**

Limit temperature range	-60 ... +105 °C
-------------------------	-----------------

Ferrule Page 847

Marking Page 833

Testing and measuring Page 252

Tools Page 838

Commoning strips Page 248

Additional information, see "Technical Section"

Approvals and corresponding ratings, visit [www.wago.com](http://www.wago.com)

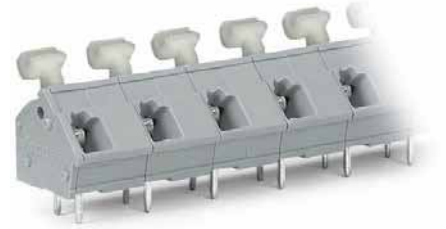
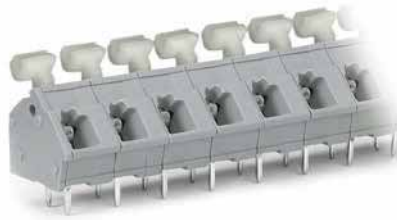
# PCB Terminal Block ▶ 256 Series

## CAGE CLAMP® ▶ Actuation type: Push-button, angled ▶ 2.5 mm<sup>2</sup> ▶ Terminal strip ▶ Color: gray

Pin spacing: 5/5.08 mm / 0.197/0.2 inch

Pin spacing: 7.5/7.62 mm / 0.295/0.3 inch

Pin spacing: 10/10.16 mm / 0.394/0.4 inch

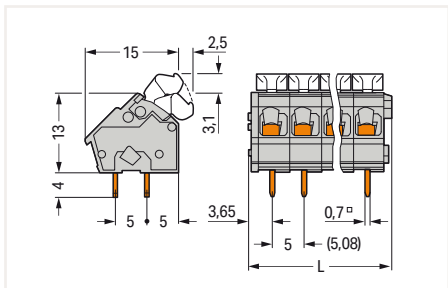


1

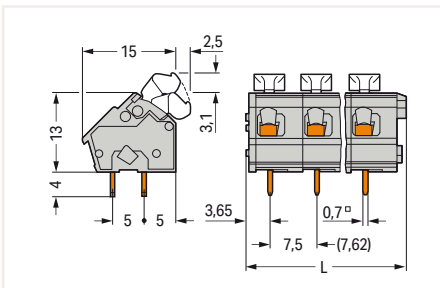
Pole No.	Item No.	PU (SPU)
2	256-402/334-000	400 (100)
3	256-403/334-000	280 (70)
4	256-404/334-000	200 (50)
5	256-405/334-000	160 (40)
6	256-406/334-000	140 (35)
7	256-407/334-000	120 (30)
8	256-408/334-000	100 (25)
9	256-409/334-000	100 (25)
10	256-410/334-000	80 (20)
12	256-412/334-000	60 (15)

Pole No.	Item No.	PU (SPU)
2	256-502/334-000	280 (70)
3	256-503/334-000	180 (45)
4	256-504/334-000	140 (35)
5	256-505/334-000	120 (30)
6	256-506/334-000	100 (25)
7	256-507/334-000	80 (20)
8	256-508/334-000	60 (15)
9	256-509/334-000	60 (15)
10	256-510/334-000	60 (15)
12	256-512/334-000	40 (10)

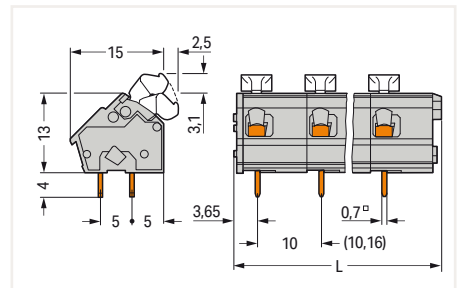
Pole No.	Item No.	PU (SPU)
2	256-602/334-000	200 (50)
3	256-603/334-000	140 (35)
4	256-604/334-000	100 (25)
5	256-605/334-000	80 (20)
6	256-606/334-000	60 (15)
7	256-607/334-000	60 (15)
8	256-608/334-000	60 (15)
9	256-609/334-000	40 (10)
10	256-610/334-000	40 (10)
12	256-612/334-000	40 (10)



$L = (\text{pole no.} \times \text{pin spacing}) + 2.9 \text{ mm}$



$L = (\text{pole no.} \times \text{pin spacing}) + 2.9 \text{ mm}$



$L = (\text{pole no.} \times \text{pin spacing}) + 2.9 \text{ mm}$

PU = Packaging Unit; SPU = Subpackaging Unit; Dimensions in mm

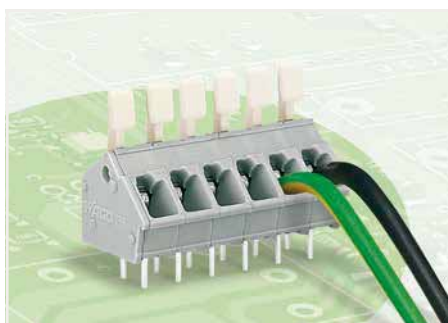
Other variants can be requested via the WAGO sales department or, if necessary, configured at <https://configurator.wago.com/>:

- Other pole numbers
- Versions for Ex e II and Ex i
- Other colors
- Mixed-color terminal strips
- Direct marking

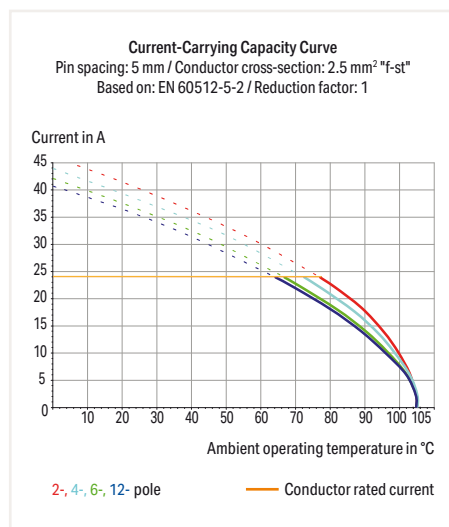
## PCB Terminal Block ▶ 256 Series

CAGE CLAMP® ▶ Actuation type: Finger-operated lever ▶ 2.5 mm<sup>2</sup> ▶ Terminal strip ▶ Color: gray

1



- PCB terminal strips with push-buttons and CAGE CLAMP® connection
- Versions with Ex approval
- Set to metric or inch pin spacing by compressing PCB terminal strips or pulling them apart
- Ideal for in-the-field wiring thanks to simplified push-button actuation
- Convenient, tool-free operation

**Electrical Data**

Pin spacing	5/5.08 mm / 0.197/0.2 inch			7.5/7.62 mm / 0.295/0.3 inch			10/10.16 mm / 0.394/0.4 inch		
Ratings per	IEC/EN 60664-1			IEC/EN 60664-1			IEC/EN 60664-1		
Overtoltage category	III	III	II	III	III	II	III	III	II
Pollution degree	3	2	2	3	2	2	3	2	2
Rated voltage	250 V	320 V	630 V	320 V	320 V	630 V	500 V	630 V	1000 V
Rated impulse voltage	4 kV	4 kV	4 kV	4 kV	4 kV	4 kV	6 kV	6 kV	6 kV
Rated current	24 A	24 A	24 A	24 A	24 A	24 A	24 A	24 A	24 A

Approvals per	UL 1059			UL 1059			UL 1059		
Use Group	B	C	D	B	C	D	B	C	D
Rated voltage	300 V	-	300 V	300 V	-	300 V	300 V	-	300 V
Rated current	15 A	-	10 A	15 A	-	10 A	15 A	-	10 A

Approvals per	CSA			CSA			CSA		
Use Group	B	C	D	B	C	D	B	C	D
Rated voltage	300 V	-	300 V	300 V	-	300 V	300 V	-	300 V
Rated current	15 A	-	10 A	15 A	-	10 A	15 A	-	10 A

**Connection Data**

Connection technology	CAGE CLAMP®
Strip length	5 ... 6 mm / 0.2 ... 0.24 inch
Conductor entry angle to the PCB	45°
Solid conductor	0.08 ... 2.5 mm <sup>2</sup> / 28 ... 12 AWG
Fine-stranded conductor	0.08 ... 2.5 mm <sup>2</sup> / 28 ... 12 AWG
Fine-stranded conductor with ferrule with plastic collar	0.25 ... 1.5 mm <sup>2</sup>
Fine-stranded conductor with ferrule without plastic collar	0.25 ... 1.5 mm <sup>2</sup>
Note (conductor cross-section)	12 AWG: THHN, THWN

**Material Data**

Material group	I
Insulating material	Polyamide 66 (PA 66)
Flammability class per UL94	V0
Clamping spring material	Chrome nickel spring steel (CrNi)
Contact material	Electrolytic copper (Ecu)
Contact plating	Tin-plated

**Mechanical Data**

Solder pin arrangement	Over the entire terminal strip, in line
Solder pin length	4 mm
Solder pin dimensions	0.7 x 0.7 mm
Drilled hole diameter (tolerance)	1.1 <sup>(+0.1)</sup> mm

**Environmental Requirements**

Limit temperature range	-60 ... +105 °C
-------------------------	-----------------

Ferrule	Page 847
---------	----------

Marking	Page 833
---------	----------

Testing and measuring	Page 252
-----------------------	----------

Commoning strips	Page 248
------------------	----------

Additional information, see "Technical Section"	
---	--

Approvals and corresponding ratings, visit <a href="http://www.wago.com">www.wago.com</a>	
---	--



# PCB Terminal Block ▶ 256 Series

## CAGE CLAMP® ▶ Actuation type: Finger-operated lever ▶ 2.5 mm<sup>2</sup> ▶ Terminal strip ▶ Color: gray

Pin spacing: 5/5.08 mm / 0.197/0.2 inch

Pin spacing: 7.5/7.62 mm / 0.295/0.3 inch

Pin spacing: 10/10.16 mm / 0.394/0.4 inch

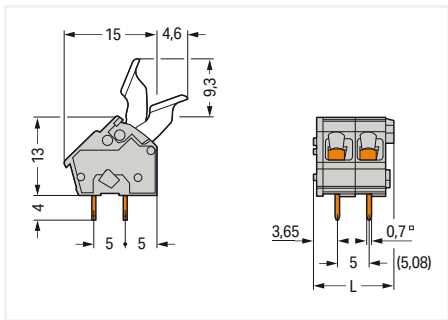


1

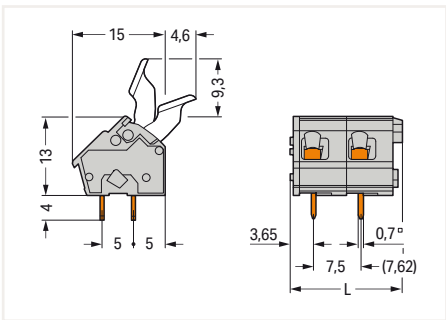
Pole No.	Item No.	PU (SPU)
2	256-402/333-000	400 (100)
3	256-403/333-000	280 (70)
4	256-404/333-000	200 (50)
5	256-405/333-000	160 (40)
6	256-406/333-000	140 (35)
7	256-407/333-000	120 (30)
8	256-408/333-000	100 (25)
9	256-409/333-000	100 (25)
10	256-410/333-000	80 (20)
12	256-412/333-000	60 (15)

Pole No.	Item No.	PU (SPU)
2	256-502/333-000	280 (70)
3	256-503/333-000	180 (45)
4	256-504/333-000	140 (35)
5	256-505/333-000	120 (30)
6	256-506/333-000	100 (25)
7	256-507/333-000	80 (20)
8	256-508/333-000	60 (15)
9	256-509/333-000	60 (15)
10	256-510/333-000	60 (15)
12	256-512/333-000	40 (10)

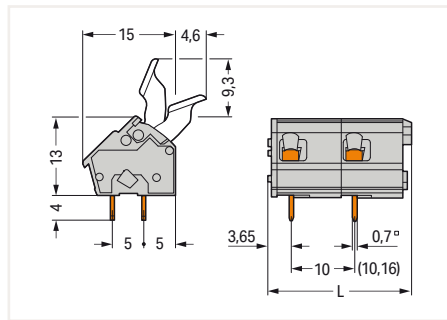
Pole No.	Item No.	PU (SPU)
2	256-602/333-000	200 (50)
3	256-603/333-000	140 (35)
4	256-604/333-000	100 (25)
5	256-605/333-000	80 (20)
6	256-606/333-000	60 (15)
7	256-607/333-000	60 (15)
8	256-608/333-000	60 (15)
9	256-609/333-000	40 (10)
10	256-610/333-000	40 (10)
12	256-612/333-000	40 (10)



$L = (\text{pole no.} \times \text{pin spacing}) + 2.9 \text{ mm}$   
 For lengths greater than three poles, finger lever operation for center levers may not be possible due to finger size/spacing limitations.



$L = (\text{pole no.} \times \text{pin spacing}) + 2.9 \text{ mm}$



$L = (\text{pole no.} \times \text{pin spacing}) + 2.9 \text{ mm}$

PU = Packaging Unit; SPU = Subpackaging Unit; Dimensions in mm

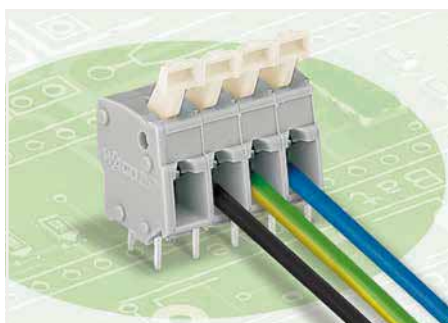
Other variants can be requested via the WAGO sales department or, if necessary, configured at <https://configurator.wago.com/>:

- Other pole numbers
- Versions for Ex e II and Ex i
- Other colors
- Mixed-color terminal strips
- Direct marking

## PCB Terminal Block ▶ 257 Series

CAGE CLAMP® ▶ Actuation type: Push-button ▶ 2.5 mm<sup>2</sup> ▶ Modular terminal block

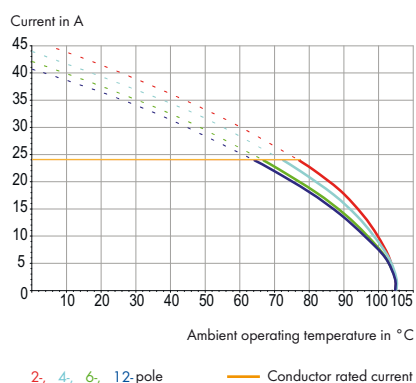
1



- PCB modular terminal blocks with push-buttons and CAGE CLAMP® connection
- Versions with Ex approval
- Set to metric or inch pin spacing by compressing PCB terminal strips or pulling them apart
- Ideal for in-the-field wiring thanks to simplified push-button actuation
- Convenient, tool-free operation
- Versions with angled push-buttons for simple top-of-unit actuation

## Current-Carrying Capacity Curve

Pin spacing: 5 mm / Conductor cross-section: 2.5 mm<sup>2</sup> "f-st"  
Based on: EN 60512-5-2 / Reduction factor: 1



## Electrical Data

Pin spacing	5/5.08 mm / 0.197/0.2 inch			7.5/7.62 mm / 0.295/0.3 inch			10/10.16 mm / 0.394/0.4 inch		
Ratings per	IEC/EN 60664-1			IEC/EN 60664-1			IEC/EN 60664-1		
Overtoltage category	III	III	II	III	III	II	III	III	II
Pollution degree	3	2	2	3	2	2	3	2	2
Rated voltage	250 V	320 V	630 V	400 V	630 V	1000 V	630 V	1000 V	1000 V
Rated impulse voltage	4 kV	4 kV	4 kV	6 kV	6 kV	6 kV	8 kV	8 kV	8 kV
Rated current	24 A	24 A	24 A	24 A	24 A	24 A	24 A	24 A	24 A

Approvals per	UL 1059			UL 1059			UL 1059		
Use Group	B	C	D	B	C	D	B	C	D
Rated voltage	300 V	-	300 V	300 V	-	300 V	300 V	-	300 V
Rated current	15 A	-	10 A	15 A	-	10 A	15 A	-	10 A

Approvals per	CSA			CSA			CSA		
Use Group	B	C	D	B	C	D	B	C	D
Rated voltage	300 V	-	300 V	300 V	-	300 V	300 V	-	300 V
Rated current	15 A	-	10 A	15 A	-	10 A	15 A	-	10 A

## Connection Data

Connection technology	CAGE CLAMP®
Strip length	5 ... 6 mm / 0.2 ... 0.24 inch
Conductor entry angle to the PCB	0°
Solid conductor	0.08 ... 2.5 mm <sup>2</sup> / 28 ... 12 AWG
Fine-stranded conductor	0.08 ... 2.5 mm <sup>2</sup> / 28 ... 12 AWG
Fine-stranded conductor with ferrule with plastic collar	0.25 ... 1.5 mm <sup>2</sup>
Fine-stranded conductor with ferrule without plastic collar	0.25 ... 1.5 mm <sup>2</sup>
Note (conductor cross-section)	12 AWG: THHN, THWN

## Material Data

Material group	I
Insulating material	Polyamide 66 (PA 66)
Flammability class per UL94	V0
Clamping spring material	Chrome nickel spring steel (CrNi)
Contact material	Electrolytic copper (Ecu)
Contact plating	Tin-plated

## Mechanical Data

Solder pin arrangement	within the terminal block, in line
Solder pin length	4 mm
Solder pin dimensions	0.7 x 0.7 mm
Drilled hole diameter (tolerance)	1.1 <sup>(+0.1)</sup> mm

## Environmental Requirements

Limit temperature range	-60 ... +105 °C
-------------------------	-----------------

Ferrule	Page 847
---------	----------

Marking	Page 833
---------	----------

Testing and measuring	Page 252
-----------------------	----------

Tools	Page 838
-------	----------

Commoning strips	Page 248
------------------	----------

Additional information, see "Technical Section"	
---	--

Approvals and corresponding ratings, visit <a href="http://www.wago.com">www.wago.com</a>	
---	--

# PCB Terminal Block ▶ 257 Series

## CAGE CLAMP® ▶ Actuation type: Push-button ▶ 2.5 mm<sup>2</sup> ▶ Modular terminal block

Pin spacing: 5/5.08 mm / 0.197/0.2 inch

Pin spacing: 7.5/7.62 mm / 0.295/0.3 inch

Pin spacing: 10/10.16 mm / 0.394/0.4 inch

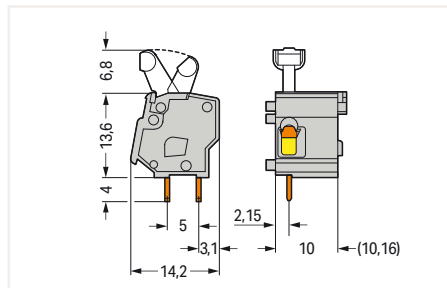
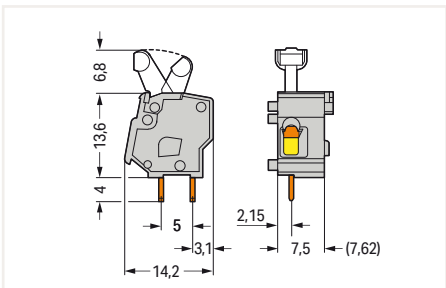
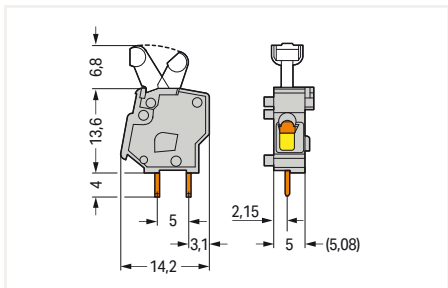


1

Color	Item No.	PU (SPU)
gray	257-401	500 (100)
blue	257-744	500 (100)
orange	257-746	500 (100)
light gray	257-743	500 (100)
light green	257-747	500 (100)
red	257-740	500 (100)
dark gray	257-742	500 (100)

Color	Item No.	PU (SPU)
gray	257-501	400 (100)
blue	257-754	400 (100)
orange	257-756	400 (100)
light gray	257-753	400 (100)
light green	257-757	400 (100)
red	257-750	400 (100)
dark gray	257-752	400 (100)

Color	Item No.	PU (SPU)
gray	257-601	300 (100)
blue	257-764	300 (100)
orange	257-766	300 (100)
light gray	257-763	300 (100)
light green	257-767	300 (100)
red	257-760	300 (100)
dark gray	257-762	300 (100)



Accessories; for all products on this page



End plate; 1 mm; snap-on type

Color	Item No.	PU (SPU)
gray	257-100	2000 (100)
blue	257-400	2000 (100)
orange	257-600	2000 (100)
light gray	257-300	2000 (100)
light green	257-700	2000 (100)
red	257-500	2000 (100)
dark gray	257-200	2000 (100)



intermediate plate; extends pin spacing; Pin spacing: 5/5.08 mm / 0.197/0.2 inch

Color	Item No.	PU (SPU)
gray	257-801	500 (100)



intermediate plate; extends pin spacing; Pin spacing: 7.5/7.62 mm / 0.295/0.3 inch

Color	Item No.	PU (SPU)
gray	257-811	400 (100)



intermediate plate; extends pin spacing; Pin spacing: 10/10.16 mm / 0.394/0.4 inch

Color	Item No.	PU (SPU)
gray	257-821	300 (100)

PU = Packaging Unit; SPU = Subpackaging Unit; Dimensions in mm

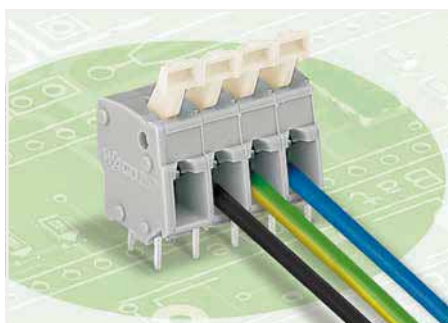
Other variants can be requested via the WAGO sales department or, if necessary, configured at <https://configurator.wago.com/>:

- Other colors
- Versions for Ex e II and Ex i

## PCB Terminal Block ▶ 257 Series

CAGE CLAMP® ▶ Actuation type: Push-button ▶ 2.5 mm<sup>2</sup> ▶ Terminal strip ▶ Color: gray

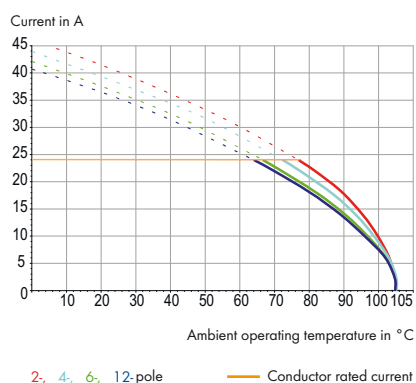
1



- PCB terminal strips with push-buttons and CAGE CLAMP® connection
- Versions with Ex approval
- Set to metric or inch pin spacing by compressing PCB terminal strips or pulling them apart
- Ideal for in-the-field wiring thanks to simplified push-button actuation
- Convenient, tool-free operation
- Versions with angled push-buttons for simple top-of-unit actuation

## Current-Carrying Capacity Curve

Pin spacing: 5 mm / Conductor cross-section: 2.5 mm<sup>2</sup> "f-st"  
Based on: EN 60512-5-2 / Reduction factor: 1



## Electrical Data

Pin spacing	5/5.08 mm / 0.197/0.2 inch			7.5/7.62 mm / 0.295/0.3 inch			10/10.16 mm / 0.394/0.4 inch		
Ratings per	IEC/EN 60664-1			IEC/EN 60664-1			IEC/EN 60664-1		
Overtoltage category	III	III	II	III	III	II	III	III	II
Pollution degree	3	2	2	3	2	2	3	2	2
Rated voltage	250 V	320 V	630 V	400 V	630 V	1000 V	630 V	1000 V	1000 V
Rated impulse voltage	4 kV	4 kV	4 kV	6 kV	6 kV	6 kV	8 kV	8 kV	8 kV
Rated current	24 A	24 A	24 A	24 A	24 A	24 A	24 A	24 A	24 A

Approvals per	UL 1059			UL 1059			UL 1059		
Use Group	B	C	D	B	C	D	B	C	D
Rated voltage	300 V	-	300 V	300 V	-	300 V	300 V	-	300 V
Rated current	15 A	-	10 A	15 A	-	10 A	15 A	-	10 A

Approvals per	CSA			CSA			CSA		
Use Group	B	C	D	B	C	D	B	C	D
Rated voltage	300 V	-	300 V	300 V	-	300 V	300 V	-	300 V
Rated current	15 A	-	10 A	15 A	-	10 A	15 A	-	10 A

## Connection Data

Connection technology	CAGE CLAMP®
Strip length	5 ... 6 mm / 0.2 ... 0.24 inch
Conductor entry angle to the PCB	0°
Solid conductor	0.08 ... 2.5 mm <sup>2</sup> / 28 ... 12 AWG
Fine-stranded conductor	0.08 ... 2.5 mm <sup>2</sup> / 28 ... 12 AWG
Fine-stranded conductor with ferrule with plastic collar	0.25 ... 1.5 mm <sup>2</sup>
Fine-stranded conductor with ferrule without plastic collar	0.25 ... 1.5 mm <sup>2</sup>
Note (conductor cross-section)	12 AWG: THHN, THWN

## Material Data

Material group	I
Insulating material	Polyamide 66 (PA 66)
Flammability class per UL94	V0
Clamping spring material	Chrome nickel spring steel (CrNi)
Contact material	Electrolytic copper (Ecu)
Contact plating	Tin-plated

## Mechanical Data

Solder pin arrangement	Over the entire terminal strip, in line
Solder pin length	4 mm
Solder pin dimensions	0.7 x 0.7 mm
Drilled hole diameter (tolerance)	1.1 <sup>(+0.1)</sup> mm

## Environmental Requirements

Limit temperature range	-60 ... +105 °C
-------------------------	-----------------

Ferrule	Page 847
---------	----------

Marking	Page 833
---------	----------

Testing and measuring	Page 252
-----------------------	----------

Tools	Page 838
-------	----------

Commoning strips	Page 248
------------------	----------

Additional information, see "Technical Section"
---

Approvals and corresponding ratings, visit <a href="http://www.wago.com">www.wago.com</a>
---

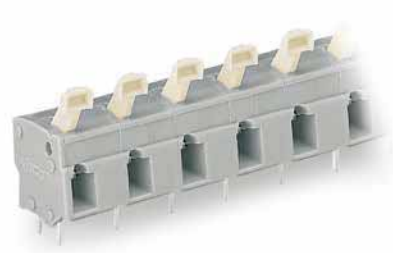
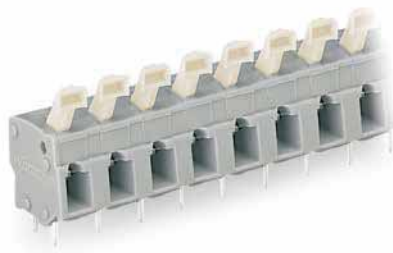
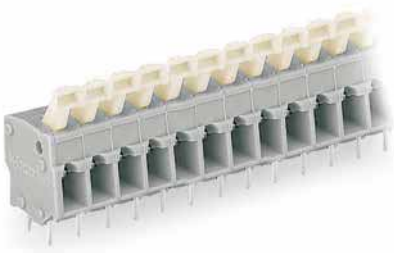
## PCB Terminal Block ▶ 257 Series

CAGE CLAMP® ▶ Actuation type: Push-button ▶ 2.5 mm<sup>2</sup> ▶ Terminal strip ▶ Color: gray

Pin spacing: 5/5.08 mm / 0.197/0.2 inch

Pin spacing: 7.5/7.62 mm / 0.295/0.3 inch

Pin spacing: 10/10.16 mm / 0.394/0.4 inch

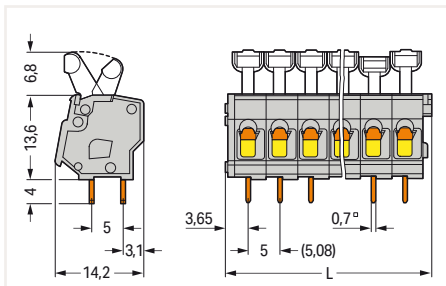


1

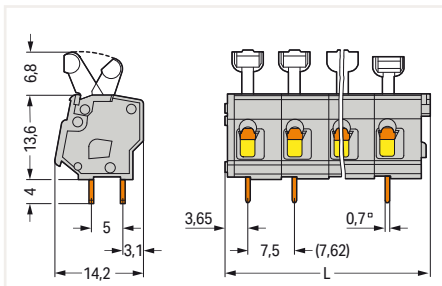
Pole No.	Item No.	PU (SPU)
2	257-402	400 (100)
3	257-403	280 (70)
4	257-404	220 (55)
5	257-405	180 (45)
6	257-406	140 (35)
7	257-407	120 (30)
8	257-408	100 (25)
9	257-409	100 (25)
10	257-410	80 (20)
12	257-412	80 (20)

Pole No.	Item No.	PU (SPU)
2	257-502	280 (70)
3	257-503	200 (50)
4	257-504	140 (35)
5	257-505	120 (30)
6	257-506	100 (25)
7	257-507	80 (20)
8	257-508	80 (20)
9	257-509	60 (15)
10	257-510	60 (15)
12	257-512	40 (10)

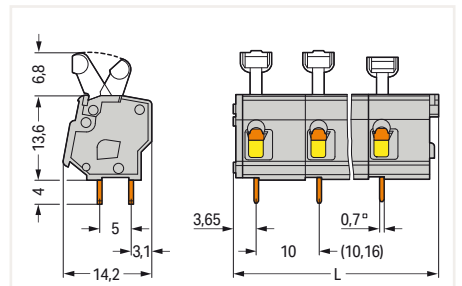
Pole No.	Item No.	PU (SPU)
2	257-602	200 (50)
3	257-603	140 (35)
4	257-604	100 (25)
5	257-605	80 (20)
6	257-606	80 (20)
7	257-607	60 (15)
8	257-608	60 (15)
9	257-609	40 (10)
10	257-610	40 (10)
12	257-612	40 (10)



L = (pole no. x pin spacing) + 2.9 mm



L = (pole no. x pin spacing) + 2.9 mm



L = (pole no. x pin spacing) + 2.9 mm

PU = Packaging Unit; SPU = Subpackaging Unit; Dimensions in mm

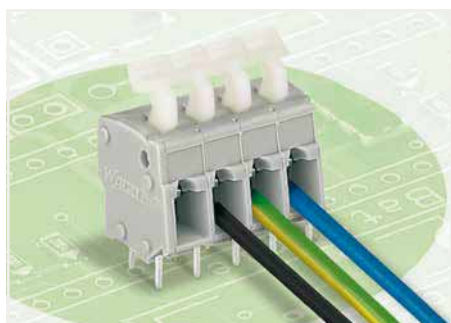
Other variants can be requested via the WAGO sales department or, if necessary, configured at <https://configurator.wago.com/>:

- Other pole numbers
- Versions for Ex e II and Ex i
- Other colors
- Mixed-color terminal strips
- Direct marking

## PCB Terminal Block ▶ 257 Series

CAGE CLAMP® ▶ Actuation type: Push-button, angled ▶ 2.5 mm<sup>2</sup> ▶ Modular terminal block

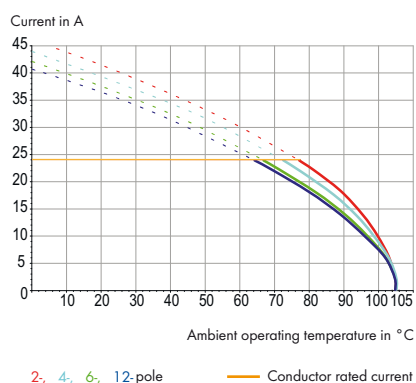
1



- PCB modular terminal blocks with push-buttons and CAGE CLAMP® connection
- Versions with Ex approval
- Set to metric or inch pin spacing by compressing PCB terminal strips or pulling them apart
- Ideal for in-the-field wiring thanks to simplified push-button actuation
- Convenient, tool-free operation
- Versions with angled push-buttons for simple top-of-unit actuation

## Current-Carrying Capacity Curve

Pin spacing: 5 mm / Conductor cross-section: 2.5 mm<sup>2</sup> "f-st"  
Based on: EN 60512-5-2 / Reduction factor: 1



## Electrical Data

Pin spacing	5/5.08 mm / 0.197/0.2 inch			7.5/7.62 mm / 0.295/0.3 inch			10/10.16 mm / 0.394/0.4 inch		
Ratings per	IEC/EN 60664-1			IEC/EN 60664-1			IEC/EN 60664-1		
Overtoltage category	III	III	II	III	III	II	III	III	II
Pollution degree	3	2	2	3	2	2	3	2	2
Rated voltage	250 V	320 V	630 V	400 V	630 V	1000 V	630 V	1000 V	1000 V
Rated impulse voltage	4 kV	4 kV	4 kV	6 kV	6 kV	6 kV	8 kV	8 kV	8 kV
Rated current	24 A	24 A	24 A	24 A	24 A	24 A	24 A	24 A	24 A

Approvals per	UL 1059			UL 1059			UL 1059		
Use Group	B	C	D	B	C	D	B	C	D
Rated voltage	300 V	-	300 V	300 V	-	300 V	300 V	-	300 V
Rated current	15 A	-	10 A	15 A	-	10 A	15 A	-	10 A

Approvals per	CSA			CSA			CSA		
Use Group	B	C	D	B	C	D	B	C	D
Rated voltage	300 V	-	300 V	300 V	-	300 V	300 V	-	300 V
Rated current	15 A	-	10 A	15 A	-	10 A	15 A	-	10 A

## Connection Data

Connection technology	CAGE CLAMP®
Strip length	5 ... 6 mm / 0.2 ... 0.24 inch
Conductor entry angle to the PCB	0°
Solid conductor	0.08 ... 2.5 mm <sup>2</sup> / 28 ... 12 AWG
Fine-stranded conductor	0.08 ... 2.5 mm <sup>2</sup> / 28 ... 12 AWG
Fine-stranded conductor with ferrule with plastic collar	0.25 ... 1.5 mm <sup>2</sup>
Fine-stranded conductor with ferrule without plastic collar	0.25 ... 1.5 mm <sup>2</sup>
Note (conductor cross-section)	12 AWG: THHN, THWN

## Material Data

Material group	I
Insulating material	Polyamide 66 (PA 66)
Flammability class per UL94	V0
Clamping spring material	Chrome nickel spring steel (CrNi)
Contact material	Electrolytic copper (Ecu)
Contact plating	Tin-plated

## Mechanical Data

Solder pin arrangement	within the terminal block, in line
Solder pin length	4 mm
Solder pin dimensions	0.7 x 0.7 mm
Drilled hole diameter (tolerance)	1.1 <sup>(+0.1)</sup> mm

## Environmental Requirements

Limit temperature range	-60 ... +105 °C
-------------------------	-----------------

Ferrule	Page 847
Marking	Page 833
Testing and measuring	Page 252
Tools	Page 838
Commoning strips	Page 248
Additional information, see "Technical Section"	
Approvals and corresponding ratings, visit <a href="http://www.wago.com">www.wago.com</a>	

# PCB Terminal Block ▶ 257 Series

## CAGE CLAMP® ▶ Actuation type: Push-button, angled ▶ 2.5 mm<sup>2</sup> ▶ Modular terminal block

Pin spacing: 5/5.08 mm / 0.197/0.2 inch

Pin spacing: 7.5/7.62 mm / 0.295/0.3 inch

Pin spacing: 10/10.16 mm / 0.394/0.4 inch

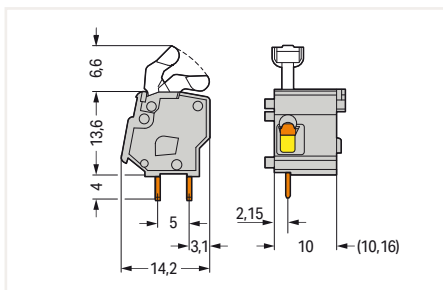
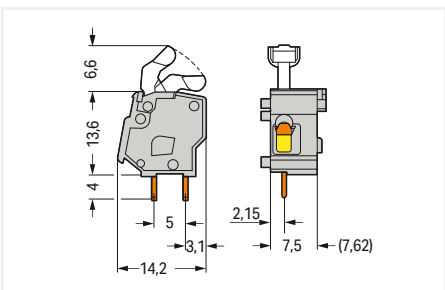
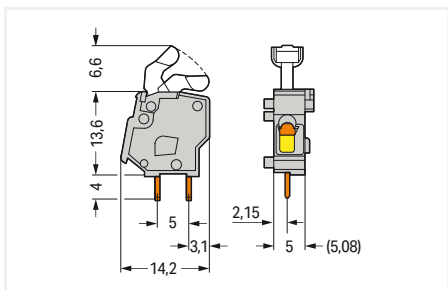


1

Color	Item No.	PU (SPU)
gray	257-451	500 (100)
blue	257-844	500 (100)
orange	257-846	500 (100)
light gray	257-843	500 (100)
light green	257-847	500 (100)
red	257-840	500 (100)
dark gray	257-842	500 (100)

Color	Item No.	PU (SPU)
gray	257-551	400 (100)
blue	257-854	400 (100)
orange	257-856	400 (100)
light gray	257-853	400 (100)
light green	257-857	400 (100)
red	257-850	400 (100)
dark gray	257-852	400 (100)

Color	Item No.	PU (SPU)
gray	257-651	300 (100)
blue	257-864	300 (100)
orange	257-866	300 (100)
light gray	257-863	300 (100)
light green	257-867	300 (100)
red	257-860	300 (100)
dark gray	257-862	300 (100)



Accessories; for all products on this page



End plate; 1 mm; snap-on type

Color	Item No.	PU (SPU)
gray	257-100	2000 (100)
blue	257-400	2000 (100)
orange	257-600	2000 (100)
light gray	257-300	2000 (100)
light green	257-700	2000 (100)
red	257-500	2000 (100)
dark gray	257-200	2000 (100)

intermediate plate; extends pin spacing; Pin spacing: 5/5.08 mm / 0.197/0.2 inch

Color	Item No.	PU (SPU)
gray	257-801	500 (100)

intermediate plate; extends pin spacing; Pin spacing: 7.5/7.62 mm / 0.295/0.3 inch

Color	Item No.	PU (SPU)
gray	257-811	400 (100)



intermediate plate; extends pin spacing; Pin spacing: 10/10.16 mm / 0.394/0.3 inch

Color	Item No.	PU (SPU)
gray	257-821	300 (100)

PU = Packaging Unit; SPU = Subpackaging Unit; Dimensions in mm

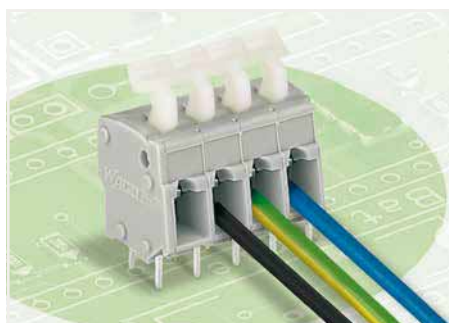
Other variants can be requested via the WAGO sales department or, if necessary, configured at <https://configurator.wago.com/>:

- Other colors
- Versions for Ex e II and Ex i

## PCB Terminal Block ▶ 257 Series

CAGE CLAMP® ▶ Actuation type: Push-button, angled ▶ 2.5 mm<sup>2</sup> ▶ Terminal strip ▶ Color: gray

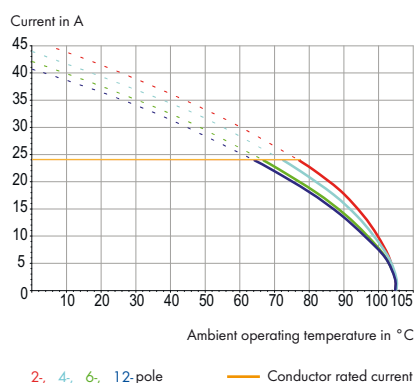
1



- PCB terminal strips with push-buttons and CAGE CLAMP® connection
- Versions with Ex approval
- Set to metric or inch pin spacing by compressing PCB terminal strips or pulling them apart
- Ideal for in-the-field wiring thanks to simplified push-button actuation
- Convenient, tool-free operation
- Versions with angled push-buttons for simple top-of-unit actuation

## Current-Carrying Capacity Curve

Pin spacing: 5 mm / Conductor cross-section: 2.5 mm<sup>2</sup> "f-st"  
Based on: EN 60512-5-2 / Reduction factor: 1



## Electrical Data

Pin spacing	5/5.08 mm / 0.197/0.2 inch			7.5/7.62 mm / 0.295/0.3 inch			10/10.16 mm / 0.394/0.4 inch		
Ratings per	IEC/EN 60664-1			IEC/EN 60664-1			IEC/EN 60664-1		
Overtoltage category	III	III	II	III	III	II	III	III	II
Pollution degree	3	2	2	3	2	2	3	2	2
Rated voltage	250 V	320 V	630 V	400 V	630 V	1000 V	630 V	1000 V	1000 V
Rated impulse voltage	4 kV	4 kV	4 kV	6 kV	6 kV	6 kV	8 kV	8 kV	8 kV
Rated current	24 A	24 A	24 A	24 A	24 A	24 A	24 A	24 A	24 A

Approvals per	UL 1059			UL 1059			UL 1059		
Use Group	B	C	D	B	C	D	B	C	D
Rated voltage	300 V	-	300 V	300 V	-	300 V	300 V	-	300 V
Rated current	15 A	-	10 A	15 A	-	10 A	15 A	-	10 A

Approvals per	CSA			CSA			CSA		
Use Group	B	C	D	B	C	D	B	C	D
Rated voltage	300 V	-	300 V	300 V	-	300 V	300 V	-	300 V
Rated current	15 A	-	10 A	15 A	-	10 A	15 A	-	10 A

## Connection Data

Connection technology	CAGE CLAMP®
Strip length	5 ... 6 mm / 0.2 ... 0.24 inch
Conductor entry angle to the PCB	0°
Solid conductor	0.08 ... 2.5 mm <sup>2</sup> / 28 ... 12 AWG
Fine-stranded conductor	0.08 ... 2.5 mm <sup>2</sup> / 28 ... 12 AWG
Fine-stranded conductor with ferrule with plastic collar	0.25 ... 1.5 mm <sup>2</sup>
Fine-stranded conductor with ferrule without plastic collar	0.25 ... 1.5 mm <sup>2</sup>
Note (conductor cross-section)	12 AWG: THHN, THWN

## Material Data

Material group	I
Insulating material	Polyamide 66 (PA 66)
Flammability class per UL94	V0
Clamping spring material	Chrome nickel spring steel (CrNi)
Contact material	Electrolytic copper (Ecu)
Contact plating	Tin-plated

## Mechanical Data

Solder pin arrangement	Over the entire terminal strip, in line
Solder pin length	4 mm
Solder pin dimensions	0.7 x 0.7 mm
Drilled hole diameter (tolerance)	1.1 <sup>(+0.1)</sup> mm

## Environmental Requirements

Limit temperature range	-60 ... +105 °C
-------------------------	-----------------

Ferrule	Page 847
---------	----------

Marking	Page 833
---------	----------

Testing and measuring	Page 252
-----------------------	----------

Tools	Page 838
-------	----------

Commoning strips	Page 248
------------------	----------

Additional information, see "Technical Section"	
---	--

Approvals and corresponding ratings, visit <a href="http://www.wago.com">www.wago.com</a>	
---	--



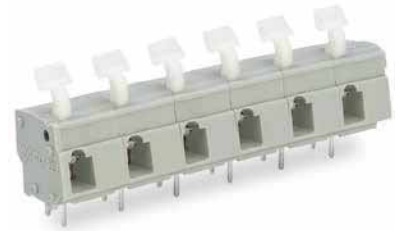
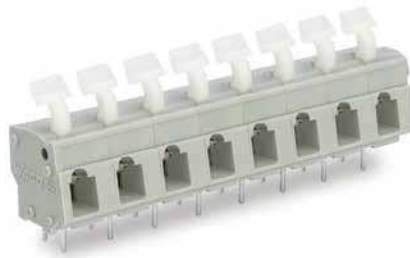
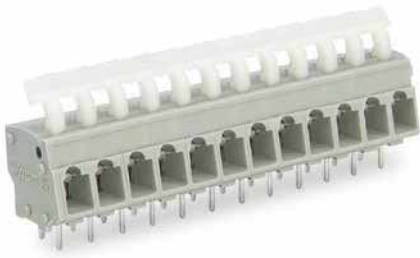
# PCB Terminal Block ▶ 257 Series

## CAGE CLAMP® ▶ Actuation type: Push-button, angled ▶ 2.5 mm<sup>2</sup> ▶ Terminal strip ▶ Color: gray

Pin spacing: 5/5.08 mm / 0.197/0.2 inch

Pin spacing: 7.5/7.62 mm / 0.295/0.3 inch

Pin spacing: 10/10.16 mm / 0.394/0.4 inch

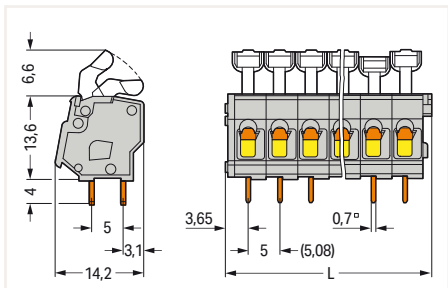


1

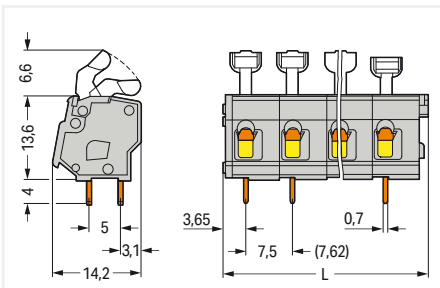
Pole No.	Item No.	PU (SPU)
2	257-452	400 (100)
3	257-453	280 (70)
4	257-454	220 (55)
5	257-455	180 (45)
6	257-456	140 (35)
7	257-457	120 (30)
8	257-458	100 (25)
9	257-459	100 (25)
10	257-460	80 (20)
12	257-462	80 (20)

Pole No.	Item No.	PU (SPU)
2	257-552	280 (70)
3	257-553	200 (50)
4	257-554	140 (35)
5	257-555	120 (30)
6	257-556	100 (25)
7	257-557	80 (20)
8	257-558	80 (20)
9	257-559	60 (15)
10	257-560	60 (15)
12	257-562	40 (10)

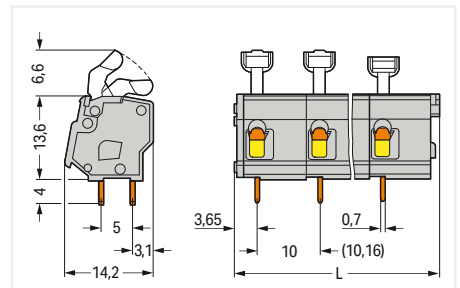
Pole No.	Item No.	PU (SPU)
2	257-652	220 (55)
3	257-653	140 (35)
4	257-654	100 (25)
5	257-655	80 (20)
6	257-656	80 (20)
7	257-657	60 (15)
8	257-658	60 (15)
9	257-659	40 (10)
10	257-660	40 (10)
12	257-662	40 (10)



L = (pole no. x pin spacing) + 2.9 mm



L = (pole no. x pin spacing) + 2.9 mm



L = (pole no. x pin spacing) + 2.9 mm

PU = Packaging Unit; SPU = Subpackaging Unit; Dimensions in mm

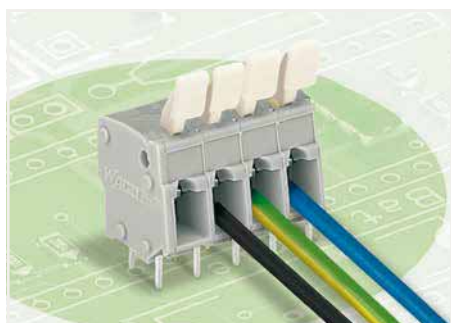
Other variants can be requested via the WAGO sales department or, if necessary, configured at <https://configurator.wago.com/>:

- Other pole numbers
- Versions for Ex e II and Ex i
- Other colors
- Mixed-color terminal strips
- Direct marking

## PCB Terminal Block ▶ 257 Series

CAGE CLAMP® ▶ Actuation type: Finger-operated lever ▶ 2.5 mm<sup>2</sup> ▶ Terminal strip ▶ Color: gray

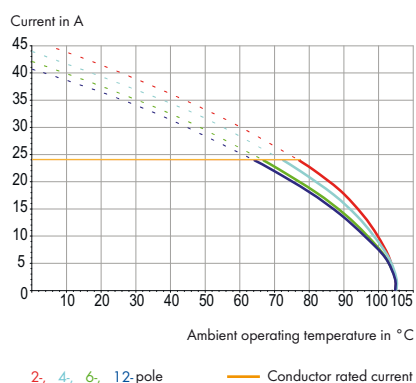
1



- PCB terminal strips with push-buttons and CAGE CLAMP® connection
- Versions with Ex approval
- Set to metric or inch pin spacing by compressing PCB terminal strips or pulling them apart
- Ideal for in-the-field wiring thanks to simplified push-button actuation
- Convenient, tool-free operation
- Versions with angled push-buttons for simple top-of-unit actuation

## Current-Carrying Capacity Curve

Pin spacing: 5 mm / Conductor cross-section: 2.5 mm<sup>2</sup> "f-st"  
Based on: EN 60512-5-2 / Reduction factor: 1



## Electrical Data

Pin spacing	5/5.08 mm / 0.197/0.2 inch			7.5/7.62 mm / 0.295/0.3 inch			10/10.16 mm / 0.394/0.4 inch		
Ratings per	IEC/EN 60664-1			IEC/EN 60664-1			IEC/EN 60664-1		
Overtoltage category	III	III	II	III	III	II	III	III	II
Pollution degree	3	2	2	3	2	2	3	2	2
Rated voltage	250 V	320 V	630 V	400 V	630 V	1000 V	630 V	1000 V	1000 V
Rated impulse voltage	4 kV	4 kV	4 kV	6 kV	6 kV	6 kV	8 kV	8 kV	8 kV
Rated current	24 A	24 A	24 A	24 A	24 A	24 A	24 A	24 A	24 A

Approvals per	UL 1059			UL 1059			UL 1059		
Use Group	B	C	D	B	C	D	B	C	D
Rated voltage	300 V	-	300 V	300 V	-	300 V	300 V	-	300 V
Rated current	15 A	-	10 A	15 A	-	10 A	15 A	-	10 A

Approvals per	CSA			CSA			CSA		
Use Group	B	C	D	B	C	D	B	C	D
Rated voltage	300 V	-	300 V	300 V	-	300 V	300 V	-	300 V
Rated current	15 A	-	10 A	15 A	-	10 A	15 A	-	10 A

## Connection Data

Connection technology	CAGE CLAMP®
Strip length	5 ... 6 mm / 0.2 ... 0.24 inch
Conductor entry angle to the PCB	0°
Solid conductor	0.08 ... 2.5 mm <sup>2</sup> / 28 ... 12 AWG
Fine-stranded conductor	0.08 ... 2.5 mm <sup>2</sup> / 28 ... 12 AWG
Fine-stranded conductor with ferrule with plastic collar	0.25 ... 1.5 mm <sup>2</sup>
Fine-stranded conductor with ferrule without plastic collar	0.25 ... 1.5 mm <sup>2</sup>
Note (conductor cross-section)	12 AWG: THHN, THWN

## Material Data

Material group	I
Insulating material	Polyamide 66 (PA 66)
Flammability class per UL94	V0
Clamping spring material	Chrome nickel spring steel (CrNi)
Contact material	Electrolytic copper (Ecu)
Contact plating	Tin-plated

## Mechanical Data

Solder pin arrangement	Over the entire terminal strip, in line
Solder pin length	4 mm
Solder pin dimensions	0.7 x 0.7 mm
Drilled hole diameter (tolerance)	1.1 <sup>(+0.1)</sup> mm

## Environmental Requirements

Limit temperature range	-60 ... +105 °C
-------------------------	-----------------

Ferrule	Page 847
---------	----------

Marking	Page 833
---------	----------

Testing and measuring	Page 252
-----------------------	----------

Commoning strips	Page 248
------------------	----------

Additional information, see "Technical Section"	
---	--

Approvals and corresponding ratings, visit <a href="http://www.wago.com">www.wago.com</a>	
---	--

# PCB Terminal Block ▶ 257 Series

## CAGE CLAMP® ▶ Actuation type: Finger-operated lever ▶ 2.5 mm<sup>2</sup> ▶ Terminal strip ▶ Color: gray

Pin spacing: 5/5.08 mm / 0.197/0.2 inch

Pin spacing: 7.5/7.62 mm / 0.295/0.3 inch

Pin spacing: 10/10.16 mm / 0.394/0.4 inch

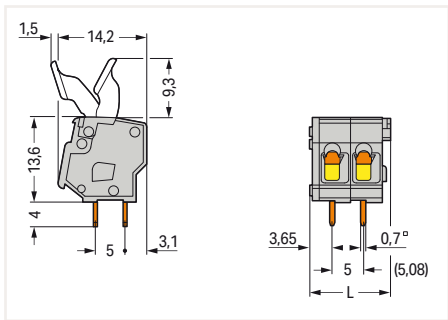


1

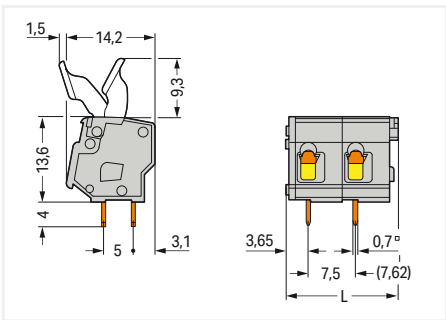
Pole No.	Item No.	PU (SPU)
2	257-402/333-000	400 (100)
3	257-403/333-000	280 (70)
4	257-404/333-000	220 (55)
5	257-405/333-000	180 (45)
6	257-406/333-000	140 (35)
7	257-407/333-000	120 (30)
8	257-408/333-000	100 (25)
9	257-409/333-000	100 (25)
10	257-410/333-000	80 (20)
12	257-412/333-000	80 (20)

Pole No.	Item No.	PU (SPU)
2	257-502/333-000	280 (70)
3	257-503/333-000	200 (50)
4	257-504/333-000	140 (35)
5	257-505/333-000	120 (30)
6	257-506/333-000	100 (25)
7	257-507/333-000	80 (20)
8	257-508/333-000	80 (20)
9	257-509/333-000	60 (15)
10	257-510/333-000	60 (15)
12	257-512/333-000	40 (10)

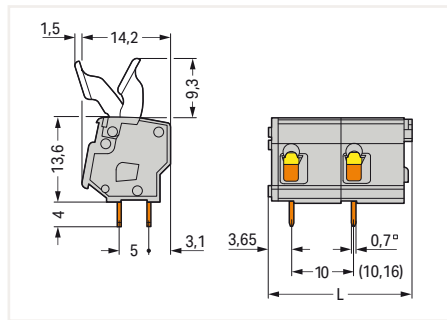
Pole No.	Item No.	PU (SPU)
2	257-602/333-000	220 (55)
3	257-603/333-000	140 (35)
4	257-604/333-000	100 (25)
5	257-605/333-000	80 (20)
6	257-606/333-000	80 (20)
7	257-607/333-000	60 (15)
8	257-608/333-000	60 (15)
9	257-609/333-000	40 (10)
10	257-610/333-000	40 (10)
12	257-612/333-000	40 (10)



L = (pole no. x pin spacing) + 2.9 mm  
 For lengths greater than three poles, finger lever operation for center levers may not be possible due to finger size/spacing limitations.



L = (pole no. x pin spacing) + 2.9 mm



L = (pole no. x pin spacing) + 2.9 mm

PU = Packaging Unit; SPU = Subpackaging Unit; Dimensions in mm

Other variants can be requested via the WAGO sales department or, if necessary, configured at <https://configurator.wago.com/>:

- Other pole numbers
- Versions for Ex e II and Ex i
- Other colors
- Mixed-color terminal strips
- Direct marking

## 2706 and 2716 Series Description and Installation

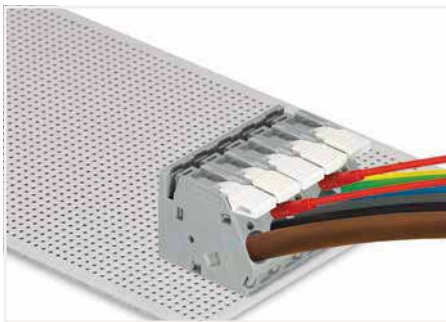
1



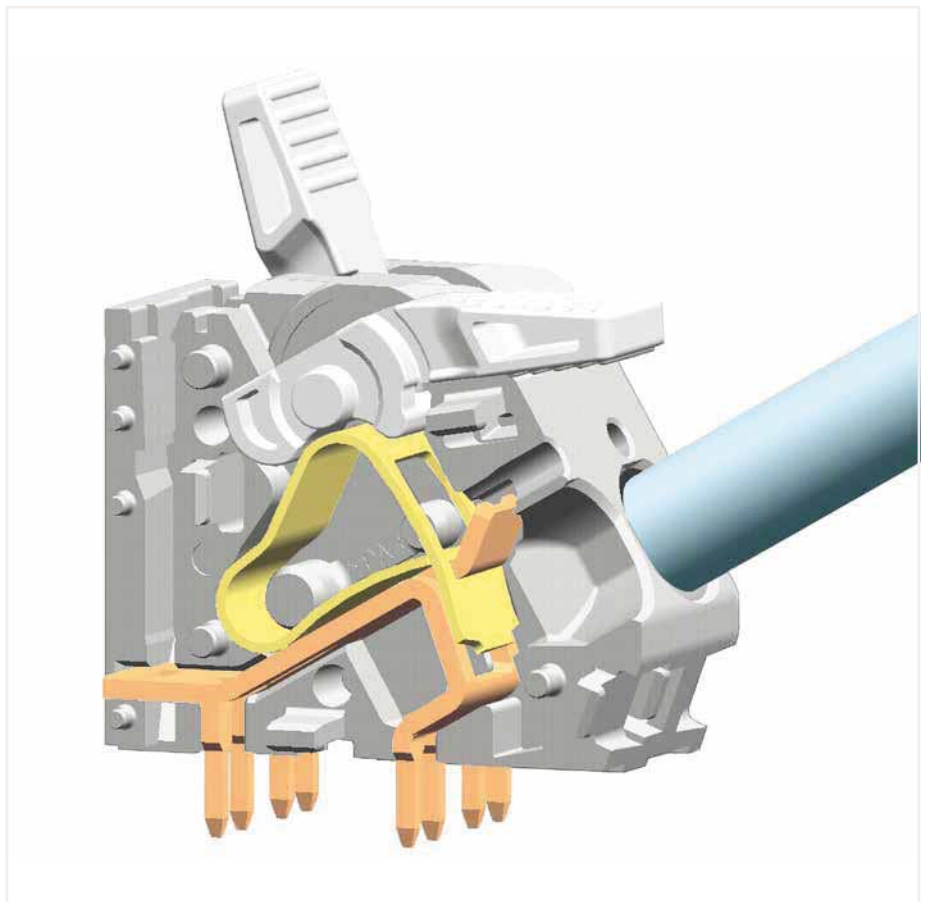
To open the clamping unit, pull the operating lever all the way back – 2706 and 2716 Series.



Inserting/removing a conductor – 2706 and 2716 Series.



Testing with test plug – 2706 and 2716 Series.



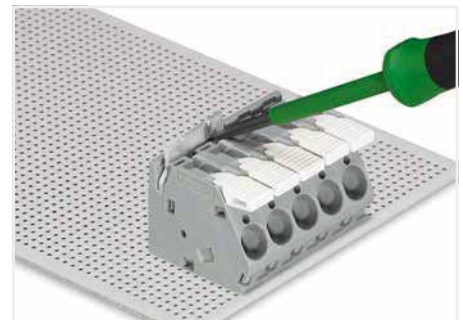
2706 and 2716 Series



Insert the comb-style jumper bar.



Push jumper bar down firmly using a screwdriver until it hits the backstop – 2706 and 2716 Series.



To remove the comb-style jumper bar, lift it up using a screwdriver – 2706 and 2716 Series.



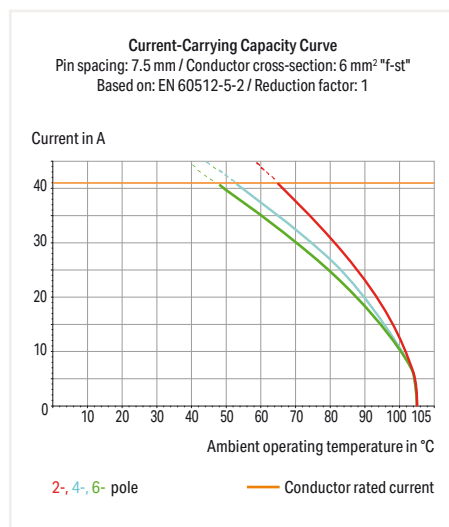
## PCB Terminal Block ▶ 2706 Series

CAGE CLAMP® ▶ Actuation type: Lever ▶ 6 mm<sup>2</sup> ▶ Terminal strip ▶ Color: gray

1



- High-current terminal strips with lever-actuated CAGE CLAMP®
- Tool-free opening and closing – fingers open/close levers
- Several clamping units can be held open simultaneously – convenient for terminating multi-core cables
- Two solder pins per contact point for high mechanical stability
- 600V UL for 12.5mm pin spacing



Electrical Data									
Pin spacing	7.5 mm (0.295 inch)			10 mm (0.394 inch)			12.5 mm (0.492 inch)		
Ratings per	IEC/EN 60664-1								
Overvoltage category	III	III	II	III	III	II	III	III	II
Pollution degree	3	2	2	3	2	2	3	2	2
Rated voltage	500 V	630 V	1000 V	800 V	1000 V	1000 V	1000 V	1000 V	1000 V
Rated impulse voltage	6 kV	6 kV	6 kV	8 kV	8 kV	8 kV	8 kV	8 kV	8 kV
Rated current	41 A	41 A	41 A	41 A	41 A	41 A	41 A	41 A	41 A
Approvals per	UL 1059			UL 1059			UL 1059		
Use Group	B	C	D	B	C	D	B	C	D
Rated voltage	300 V	150 V	300 V	300 V	150 V	600 V	300 V	600 V	-
Rated current	30 A	30 A	30 A	30 A	30 A	5 A	30 A	30 A	-

Connection Data	
Connection technology	CAGE CLAMP®
Strip length	11 ... 12 mm / 0.43 ... 0.47 inch
Conductor entry angle to the PCB	30°
Solid conductor	0.5 ... 6 mm <sup>2</sup> / 20 ... 10 AWG
Fine-stranded conductor	0.5 ... 6 mm <sup>2</sup> / 20 ... 10 AWG
Fine-stranded conductor with ferrule with plastic collar	0.5 ... 6 mm <sup>2</sup>
Fine-stranded conductor with ferrule without plastic collar	0.5 ... 6 mm <sup>2</sup>

Material Data	
Material group	I
Insulating material	Polyamide 66 (PA 66)
Flammability class per UL94	V0
Clamping spring material	Chrome nickel spring steel (CrNi)
Contact material	Electrolytic copper (Ecu)
Contact plating	Tin-plated

Mechanical Data	
Solder pin arrangement	Over the entire terminal strip, in line
Solder pin length	4.5 mm
Solder pin dimensions	1 x 1.4 mm
Drilled hole diameter (tolerance)	1.8 <sup>(+0.1)</sup> mm

Environmental Requirements	
Limit temperature range	-60 ... +105 °C

Ferrule Page 847

Testing and measuring Page 854

Additional information, see "Technical Section"

Approvals and corresponding ratings, visit [www.wago.com](http://www.wago.com)

# PCB Terminal Block ▶ 2706 Series

## CAGE CLAMP® ▶ Actuation type: Lever ▶ 6 mm<sup>2</sup> ▶ Terminal strip ▶ Color: gray

Pin spacing: 7.5 mm (0.295 inch)

Pin spacing: 10 mm (0.394 inch)

Pin spacing: 12.5 mm (0.492 inch)

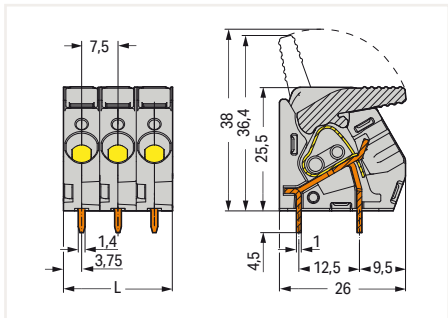


1

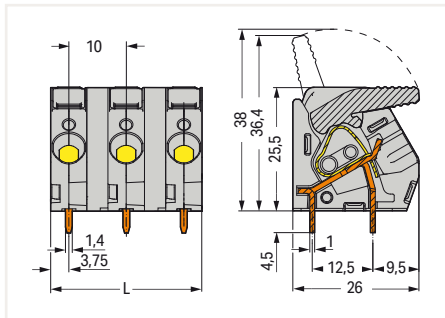
Pole No.	Item No.	PU
2	2706-102	85
3	2706-103	55
4	2706-104	40
5	2706-105	30
6	2706-106	25
7	2706-107	20
8	2706-108	20
9	2706-109	15
10	2706-110	15
11	2706-111	15
12	2706-112	10

Pole No.	Item No.	PU
2	2706-202	70
3	2706-203	45
4	2706-204	30
5	2706-205	25
6	2706-206	20
7	2706-207	15
8	2706-208	15
9	2706-209	10
10	2706-210	10
11	2706-211	10
12	2706-212	10

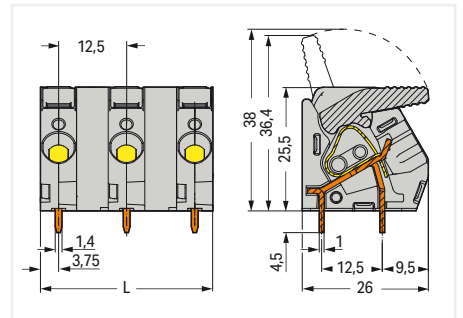
Pole No.	Item No.	PU
2	2706-302	65
3	2706-303	40
4	2706-304	25
5	2706-305	20
6	2706-306	15
7	2706-307	15
8	2706-308	10
9	2706-309	10
10	2706-310	10
11	2706-311	5
12	2706-312	5



L = pole no. x pin spacing



L = (pole no. x pin spacing) - 2.5 mm



L = (pole no. x pin spacing) - 5 mm

PU = Packaging Unit; SPU = Subpackaging Unit; Dimensions in mm

Other variants can be requested via the WAGO sales department or, if necessary, configured at <https://configurator.wago.com/>:

- Other pole numbers
- Other colors
- Mixed-color terminal strips
- Direct marking

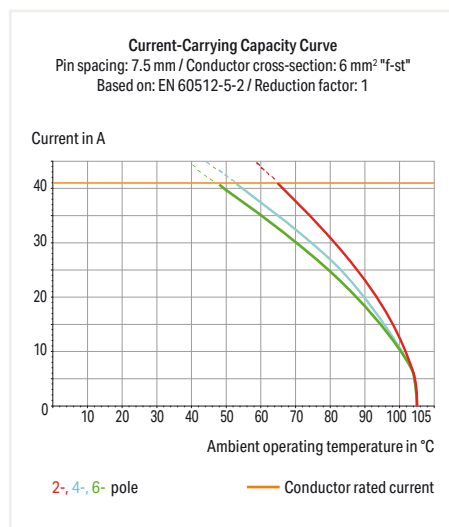
## PCB Terminal Block ▶ 2706 Series

CAGE CLAMP® ▶ Actuation type: Lever ▶ Number of jumper slots: 1 ▶ 6 mm<sup>2</sup> ▶ Terminal strip ▶ Color: gray

1



- High-current terminal strips with lever-actuated CAGE CLAMP®
- Tool-free opening and closing – fingers open/close levers
- Several clamping units can be held open simultaneously – convenient for terminating multi-core cables
- Two solder pins per contact point for high mechanical stability
- Versions with commoning option for distributing potentials



### Electrical Data

Pin spacing	7.5 mm (0.295 inch)			10 mm (0.394 inch)		
Ratings per	IEC/EN 60664-1					
Overvoltage category	III	III	II	III	III	II
Pollution degree	3	2	2	3	2	2
Rated voltage	500 V	630 V	1000 V	800 V	1000 V	1000 V
Rated impulse voltage	6 kV	6 kV	6 kV	8 kV	8 kV	8 kV
Rated current	41 A	41 A	41 A	41 A	41 A	41 A
Approvals per	UL 1059			UL 1059		
Use Group	B	C	D	B	C	D
Rated voltage	300 V	150 V	300 V	300 V	300 V	600 V
Rated current	30 A	30 A	30 A	30 A	30 A	5 A

### Connection Data

Connection technology	CAGE CLAMP®
Strip length	11 ... 12 mm / 0.43 ... 0.47 inch
Conductor entry angle to the PCB	30°
Solid conductor	0.5 ... 6 mm <sup>2</sup> / 20 ... 10 AWG
Fine-stranded conductor	0.5 ... 6 mm <sup>2</sup> / 20 ... 10 AWG
Fine-stranded conductor with ferrule with plastic collar	0.5 ... 6 mm <sup>2</sup>
Fine-stranded conductor with ferrule without plastic collar	0.5 ... 6 mm <sup>2</sup>

### Material Data

Material group	I
Insulating material	Polyamide 66 (PA 66)
Flammability class per UL94	V0
Clamping spring material	Chrome nickel spring steel (CrNi)
Contact material	Electrolytic copper (Ecu)
Contact plating	Tin-plated

### Mechanical Data

Solder pin arrangement	Over the entire terminal strip, in line
Solder pin length	4.5 mm
Solder pin dimensions	1 x 1.4 mm
Drilled hole diameter (tolerance)	1.8 <sup>(+0.1)</sup> mm

### Environmental Requirements

Limit temperature range	-60 ... +105 °C
-------------------------	-----------------

Ferrule Page 847

Jumper Page 253

Testing and measuring Page 854

Additional information, see "Technical Section"

Approvals and corresponding ratings, visit [www.wago.com](http://www.wago.com)



## PCB Terminal Block ▶ 2706 Series

CAGE CLAMP® ▶ Actuation type: Lever ▶ Number of jumper slots: 1 ▶ 6 mm<sup>2</sup> ▶ Terminal strip ▶ Color: gray

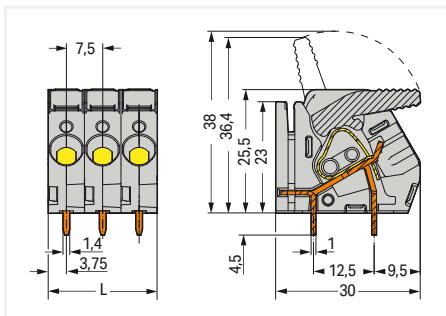
Pin spacing: 7.5 mm (0.295 inch)

Pin spacing: 10 mm (0.394 inch)

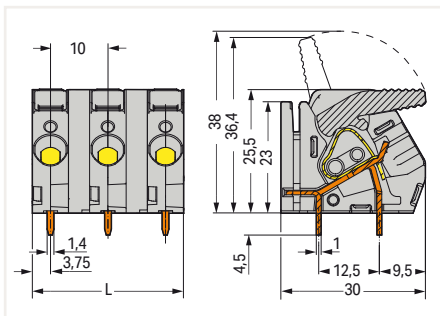


Pole No.	Item No.	PU
2	2706-152	85
3	2706-153	55
4	2706-154	40
5	2706-155	30
6	2706-156	25
7	2706-157	20
8	2706-158	20
9	2706-159	15
10	2706-160	15
11	2706-161	15
12	2706-162	10

Pole No.	Item No.	PU
2	2706-252	70
3	2706-253	45
4	2706-254	30
5	2706-255	25
6	2706-256	20
7	2706-257	15
8	2706-258	15
9	2706-259	10
10	2706-260	10
11	2706-261	10
12	2706-262	10



L = pole no. x pin spacing



L = (pole no. x pin spacing) – 2.5 mm

PU = Packaging Unit; SPU = Subpackaging Unit; Dimensions in mm

Other variants can be requested via the WAGO sales department or, if necessary, configured at <https://configurator.wago.com/>:

- Other pole numbers
- Other colors
- Mixed-color terminal strips
- Direct marking

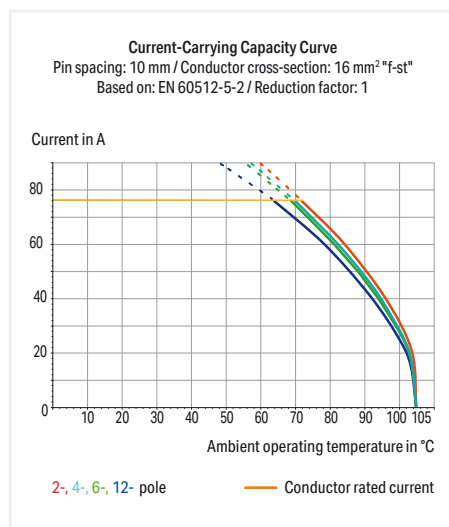
## PCB Terminal Block ▶ 2716 Series

CAGE CLAMP® ▶ Actuation type: Lever ▶ 16 mm<sup>2</sup> ▶ Terminal strip ▶ Color: gray

1



- High-current terminal strips with lever-actuated CAGE CLAMP®
- Tool-free opening and closing – fingers open/close levers
- Several clamping units can be held open simultaneously – convenient for terminating multi-core cables
- Four solder pins per contact point for high mechanical stability
- 600V UL for 15mm pin spacing
- Pin and dimensions compatible to high-current, screw-type terminal blocks

**Electrical Data**

Pin spacing	10 mm (0.394 inch)			15 mm (0.591 inch)		
	IEC/EN 60664-1					
Ratings per	IEC/EN 60664-1					
Overvoltage category	III	III	II	III	III	II
Pollution degree	3	2	2	3	2	2
Rated voltage	320 V	320 V	630 V	800 V	1000 V	1000 V
Rated impulse voltage	4 kV	4 kV	4 kV	8 kV	8 kV	8 kV
Rated current	76 A	76 A	76 A	76 A	76 A	76 A
Approvals per	UL 1059			UL 1059		
Use Group	B	C	D	B	C	D
Rated voltage	300 V	150 V	300 V	600 V	600 V	-
Rated current	55 A	55 A	10 A	65 A	65 A	-

**Connection Data**

Connection technology	CAGE CLAMP®
Strip length	12 ... 13 mm / 0.47 ... 0.51 inch
Conductor entry angle to the PCB	30°
Solid conductor	1.5 ... 16 mm <sup>2</sup> / 16 ... 6 AWG
Fine-stranded conductor	1.5 ... 16 mm <sup>2</sup> / 16 ... 6 AWG
Fine-stranded conductor with ferrule with plastic collar	1.5 ... 10 mm <sup>2</sup>
Fine-stranded conductor with ferrule without plastic collar	1.5 ... 10 mm <sup>2</sup>

**Material Data**

Material group	I
Insulating material	Polyamide 66 (PA 66)
Flammability class per UL94	V0
Clamping spring material	Chrome nickel spring steel (CrNi)
Contact material	Electrolytic copper (Ecu)
Contact plating	Tin-plated

**Mechanical Data**

Solder pin arrangement	Over the entire terminal strip, in line
Solder pin length	4.5 mm
Solder pin dimensions	0.95 x 1.2 mm
Drilled hole diameter (tolerance)	1.6 <sup>(+0.1)</sup> mm

**Environmental Requirements**

Limit temperature range	-60 ... +105 °C
-------------------------	-----------------

Ferrule Page 847

Testing and measuring Page 854

Additional information, see "Technical Section"

Approvals and corresponding ratings, visit [www.wago.com](http://www.wago.com)

# PCB Terminal Block ▶ 2716 Series

## CAGE CLAMP® ▶ Actuation type: Lever ▶ 16 mm<sup>2</sup> ▶ Terminal strip ▶ Color: gray

Pin spacing: 10 mm (0.394 inch)

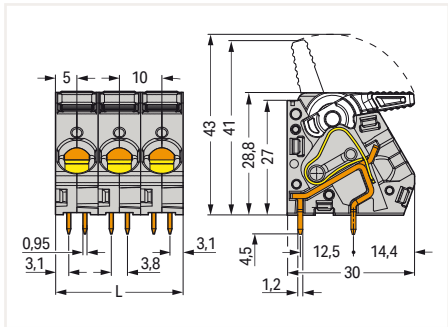
Pin spacing: 15 mm (0.591 inch)



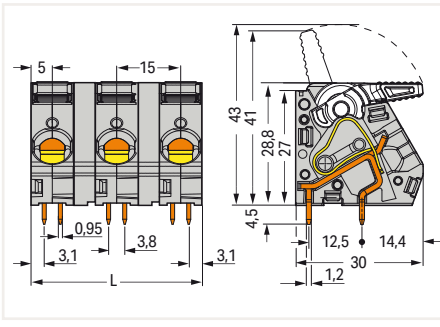
1

Pole No.	Item No.	PU
2	2716-102	65
3	2716-103	40
4	2716-104	30
5	2716-105	25
6	2716-106	20
7	2716-107	15
8	2716-108	15

Pole No.	Item No.	PU
2	2716-202	50
3	2716-203	30
4	2716-204	20
5	2716-205	15
6	2716-206	15
7	2716-207	10
8	2716-208	10



L = pole no. x pin spacing



L = (pole no. x pin spacing) - 5 mm

PU = Packaging Unit; SPU = Subpackaging Unit; Dimensions in mm

Other variants can be requested via the WAGO sales department or, if necessary, configured at <https://configurator.wago.com/>:

- Other pole numbers
- Other colors
- Mixed-color terminal strips
- Direct marking

## PCB Terminal Block ▶ 2716 Series

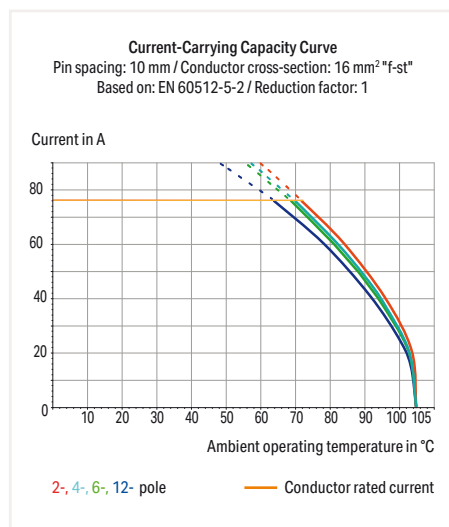
CAGE CLAMP® ▶ Actuation type: Lever ▶ Number of jumper slots: 1 ▶ 16 mm<sup>2</sup> ▶ Terminal strip ▶

Color: gray

1



- High-current terminal strips with lever-actuated CAGE CLAMP®
- Tool-free opening and closing – fingers open/close levers
- Several clamping units can be held open simultaneously – convenient for terminating multi-core cables
- Four solder pins per contact point for high mechanical stability
- 600V UL for 15mm pin spacing
- Versions with commoning option for distributing potentials

**Electrical Data**

Pin spacing	10 mm (0.394 inch)			15 mm (0.591 inch)		
	IEC/EN 60664-1					
Ratings per	IEC/EN 60664-1					
Overvoltage category	III	III	II	III	III	II
Pollution degree	3	2	2	3	2	2
Rated voltage	320 V	320 V	630 V	800 V	1000 V	1000 V
Rated impulse voltage	4 kV	4 kV	4 kV	8 kV	8 kV	8 kV
Rated current	76 A	76 A	76 A	76 A	76 A	76 A
Approvals per	UL 1059			UL 1059		
Use Group	B	C	D	B	C	D
Rated voltage	300 V	150 V	300 V	600 V	600 V	-
Rated current	55 A	55 A	10 A	65 A	65 A	-

**Connection Data**

Connection technology	CAGE CLAMP®
Strip length	12 ... 13 mm / 0.47 ... 0.51 inch
Conductor entry angle to the PCB	30°
Solid conductor	1.5 ... 16 mm <sup>2</sup> / 16 ... 6 AWG
Fine-stranded conductor	1.5 ... 16 mm <sup>2</sup> / 16 ... 6 AWG
Fine-stranded conductor with ferrule with plastic collar	1.5 ... 10 mm <sup>2</sup>
Fine-stranded conductor with ferrule without plastic collar	1.5 ... 10 mm <sup>2</sup>

**Material Data**

Material group	I
Insulating material	Polyamide 66 (PA 66)
Flammability class per UL94	V0
Clamping spring material	Chrome nickel spring steel (CrNi)
Contact material	Electrolytic copper (Ecu)
Contact plating	Tin-plated

**Mechanical Data**

Solder pin arrangement	Over the entire terminal strip, in line
Solder pin length	4.5 mm
Solder pin dimensions	0.95 x 1.2 mm
Drilled hole diameter (tolerance)	1.6 <sup>(+0.1)</sup> mm

**Environmental Requirements**

Limit temperature range	-60 ... +105 °C
-------------------------	-----------------

Ferrule Page 847

Jumper Page 253

Testing and measuring Page 854

Additional information, see "Technical Section"

Approvals and corresponding ratings, visit [www.wago.com](http://www.wago.com)

# PCB Terminal Block ▶ 2716 Series

CAGE CLAMP® ▶ Actuation type: Lever ▶ Number of jumper slots: 1 ▶ 16 mm<sup>2</sup> ▶ Terminal strip ▶ Color: gray

Pin spacing: 10 mm (0.394 inch)

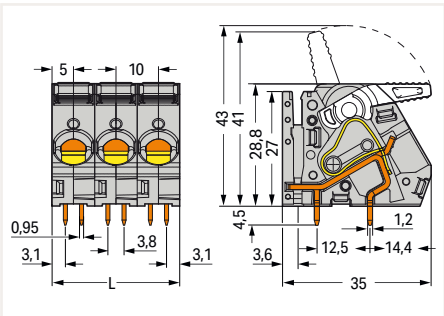
Pin spacing: 15 mm (0.591 inch)



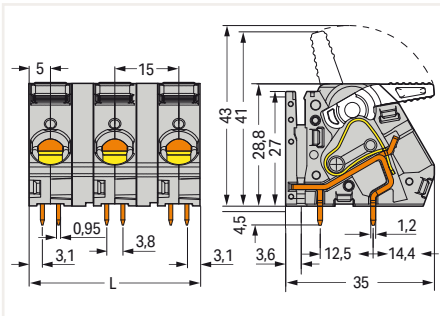
1

Pole No.	Item No.	PU
2	2716-152	52
3	2716-153	32
4	2716-154	24
5	2716-155	20
6	2716-156	16
7	2716-157	12
8	2716-158	12

Pole No.	Item No.	PU
2	2716-252	40
3	2716-253	24
4	2716-254	16
5	2716-255	12
6	2716-256	12
7	2716-257	8
8	2716-258	8



L = pole no. x pin spacing



L = (pole no. x pin spacing) – 5 mm

PU = Packaging Unit; SPU = Subpackaging Unit; Dimensions in mm

Other variants can be requested via the WAGO sales department or, if necessary, configured at <https://configurator.wago.com/>:

- Other pole numbers
- Other colors
- Mixed-color terminal strips
- Direct marking

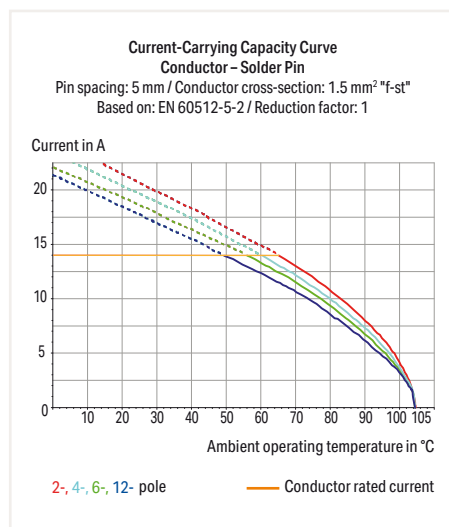
## 2-Conductor PCB Terminal Block ▶ 816 Series

Push-in CAGE CLAMP® ▶ Actuation type: Operating tool ▶ 1.5 mm<sup>2</sup> ▶ Pin spacing: 5 mm (0.197 inch) ▶ Color: gray

1



- Two-conductor terminal strips with screwdriver actuation and Push-in CAGE CLAMP® connection
- Double entries for supply and power distribution
- Simple, reliable connection via clamping units featuring individual operating slots
- Simple, push-in termination of solid and ferruled conductors



### Electrical Data

Pin spacing	5 mm (0.197 inch)		
Ratings per	IEC/EN 60664-1		
Overvoltage category	III	III	II
Pollution degree	3	2	2
Rated voltage	320 V	320 V	630 V
Rated impulse voltage	4 kV	4 kV	4 kV
Rated current	14 A	14 A	14 A
Approvals per	UL 1059		
Use Group	B	C	D
Rated voltage	300 V	-	300 V
Rated current	10 A	-	10 A
Approvals per	CSA		
Use Group	B	C	D
Rated voltage	300 V	-	300 V
Rated current	8 A	-	-

### Connection Data

Connection technology	Push-in CAGE CLAMP®
Strip length	9 ... 10 mm / 0.35 ... 0.39 inch
Conductor entry angle to the PCB	45°
Solid conductor	0.2 ... 1.5 mm <sup>2</sup> / 24 ... 16 AWG
Fine-stranded conductor	0.2 ... 1.5 mm <sup>2</sup> / 24 ... 16 AWG
Fine-stranded conductor with ferrule with plastic collar	0.2 ... 1 mm <sup>2</sup>
Fine-stranded conductor with ferrule without plastic collar	0.2 ... 1.5 mm <sup>2</sup>

### Material Data

Material group	I
Insulating material	Polyamide 66 (PA 66)
Flammability class per UL94	V0
Clamping spring material	Chrome nickel spring steel (CrNi)
Contact material	Copper alloy
Contact plating	Tin-plated

### Mechanical Data

Solder pin arrangement	Over the entire terminal strip, in line
Solder pin length	3.5 mm
Solder pin dimensions	0.8 x 0.5 mm
Drilled hole diameter (tolerance)	1.1 <sup>(+0.1)</sup> mm

### Environmental Requirements

Limit temperature range	-60 ... +105 °C
-------------------------	-----------------

Ferrule Page 847

Marking Page 833

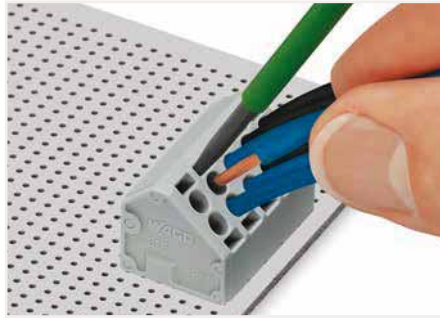
Tools Page 838

Additional information, see "Technical Section"

Approvals and corresponding ratings, visit [www.wago.com](http://www.wago.com)

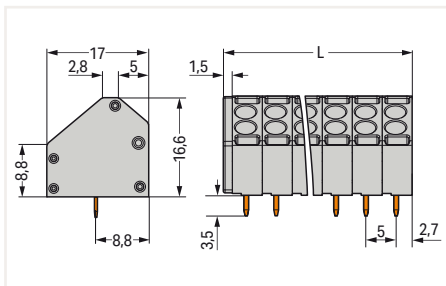
## 2-Conductor PCB Terminal Block ▶ 816 Series

Push-in CAGE CLAMP® ▶ Actuation type: Operating tool ▶ 1.5 mm<sup>2</sup> ▶ Pin spacing: 5 mm  
(0.197 inch) ▶ Color: gray



Open the clamping unit via 5.5 mm screwdriver to insert/  
remove fine-stranded conductors.  
Push in solid and ferruled conductors until fully inserted.

Pole No.	Item No.	PU (SPU)
2	816-102	322 (161)
3	816-103	224 (112)
4	816-104	168 (84)
5	816-105	140 (70)
6	816-106	112 (56)
7	816-107	98 (49)
8	816-108	84 (42)
9	816-109	70 (35)
10	816-110	70 (35)
11	816-111	56 (28)
12	816-112	56 (28)



$L = (\text{pole no.} \times \text{pin spacing}) + 1.5 \text{ mm}$

PU = Packaging Unit; SPU = Subpackaging Unit; Dimensions in mm

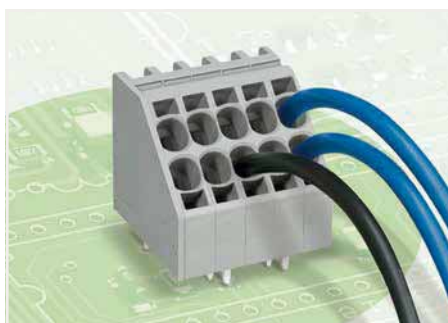
Other variants can be requested via the WAGO sales department or, if necessary, configured at <https://configurator.wago.com/>:

- Other pole numbers
- Other colors
- Mixed-color terminal strips
- Direct marking

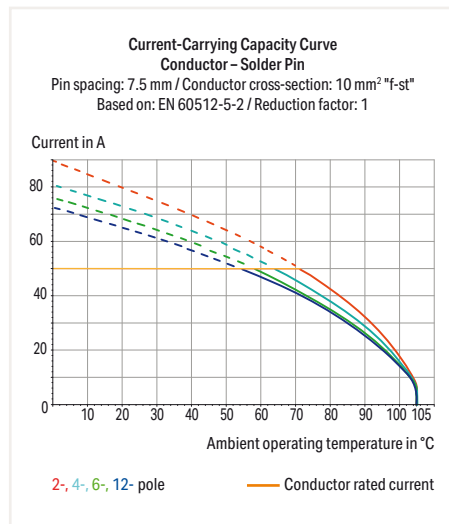
## 2-Conductor PCB Terminal Block ▶ 746 Series

Push-in CAGE CLAMP® ▶ Actuation type: Operating tool ▶ 10 mm<sup>2</sup> ▶ Pin spacing: 7.5 mm (0.295 inch) ▶ Color: gray

1



- Two-conductor terminal strips with screwdriver actuation and Push-in CAGE CLAMP® connection
- Double entries for supply and power distribution
- Simple, reliable connection via clamping units featuring individual operating slots
- 600 V UL per UL 1059
- Simple, push-in termination of solid and ferruled conductors
- Marker slot for miniature WSB and WMB markers



Electrical Data			
Pin spacing	7.5 mm (0.295 inch)		
Ratings per	IEC/EN 60664-1		
Overvoltage category	III	III	II
Pollution degree	3	2	2
Rated voltage	800 V	1000 V	1000 V
Rated impulse voltage	8 kV	8 kV	8 kV
Rated current	50 A	50 A	50 A
Approvals per	UL 1059		
Use Group	B	C	D
Rated voltage	600 V	600 V	-
Rated current	50 A	50 A	-
Approvals per	CSA		
Use Group	B	C	D
Rated voltage	600 V	600 V	-
Rated current	44 A	44 A	-

Connection Data	
Connection technology	Push-in CAGE CLAMP®
Strip length	13 ... 15 mm / 0.51 ... 0.59 inch
Conductor entry angle to the PCB	45°
Solid conductor	0.5 ... 10 mm <sup>2</sup> / 20 ... 8 AWG
Fine-stranded conductor	0.5 ... 10 mm <sup>2</sup> / 20 ... 8 AWG
Fine-stranded conductor with ferrule with plastic collar	0.5 ... 6 mm <sup>2</sup>
Fine-stranded conductor with ferrule without plastic collar	0.5 ... 6 mm <sup>2</sup>

Material Data	
Material group	I
Insulating material	Polyamide 66 (PA 66)
Flammability class per UL94	V0
Clamping spring material	Chrome nickel spring steel (CrNi)
Contact material	Electrolytic copper (Ecu)
Contact plating	Tin-plated

Mechanical Data	
Solder pin arrangement	Over the entire terminal strip, staggered
Solder pin length	4.4 mm
Solder pin dimensions	1.6 x 1.2 mm
Drilled hole diameter (tolerance)	2.2 <sup>(+0.1)</sup> mm

Environmental Requirements	
Limit temperature range	-60 ... +105 °C

Ferrule Page 847

Marking Page 830

Testing and measuring Page 854

Tools Page 838

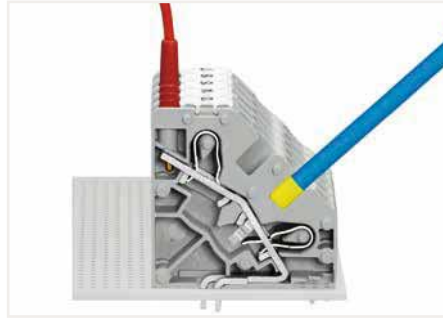
Additional information, see "Technical Section"

Approvals and corresponding ratings, visit [www.wago.com](http://www.wago.com)



## 2-Conductor PCB Terminal Block ▶ 746 Series

Push-in CAGE CLAMP® ▶ Actuation type: Operating tool ▶ 10 mm<sup>2</sup> ▶ Pin spacing: 7.5 mm (0.295 inch) ▶ Color: gray

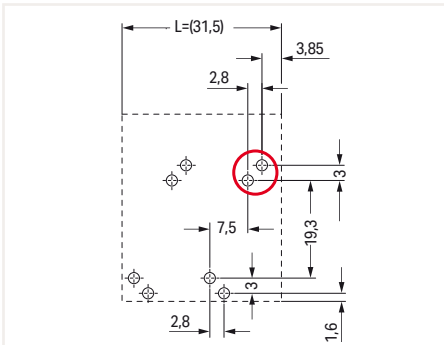


Inserting solid and ferruled conductors by simply pushing them into unit. Testing with 2 mm Ø test plug.

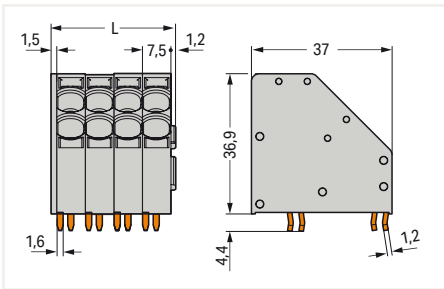
Pole No.	Item No.	PU
2	746-2302	60
3	746-2303	40
4	746-2304	32
5	746-2305	24
6	746-2306	20
7	746-2307	16
8	746-2308	16
9	746-2309	12
10	746-2310	12
12	746-2312	8



Inserting fine-stranded conductors via 5.5 mm screwdriver.



First solder pins, right rear (red circle)



$L = (\text{pole no.} \times \text{pin spacing}) + 2.7 \text{ mm}$

PU = Packaging Unit; SPU = Subpackaging Unit; Dimensions in mm

Other variants can be requested via the WAGO sales department or, if necessary, configured at <https://configurator.wago.com/>:

- Other pole numbers
- Other colors
- Mixed-color terminal strips
- Direct marking

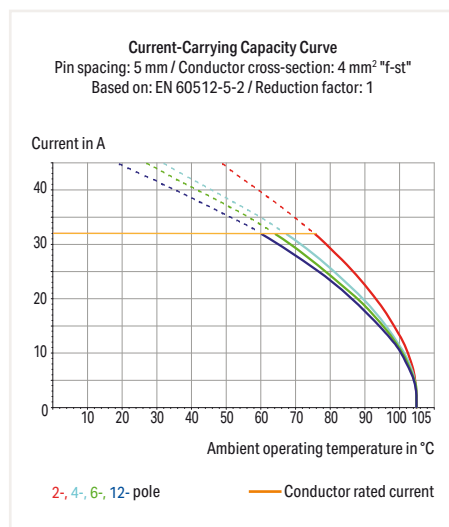
## PCB Terminal Block ▶ 2624 Series

Push-in CAGE CLAMP® ▶ Actuation type: Operating tool ▶ 6 mm<sup>2</sup> ▶ Modular Terminal Block ▶ Pin spacing: 5 mm (0.197 inch) ▶ Color: gray

1



- PCB terminal blocks with Push-in CAGE CLAMP® connection
- Push-in termination of solid and ferruled conductors
- Ideal for panel feedthrough applications via operation parallel to conductor entry
- Testing can be performed both parallel and perpendicular to conductor entry



Electrical Data			
Pin spacing	5 mm (0.197 inch)		
Ratings per	IEC/EN 60664-1		
Overvoltage category	III	III	II
Pollution degree	3	2	2
Rated voltage	320 V	400 V	630 V
Rated impulse voltage	4 kV	4 kV	4 kV
Rated current	41 A	41 A	41 A
Approvals per	UL 1059		
Use Group	B	C	D
Rated voltage	300 V	-	300 V
Rated current	26 A	-	10 A

Connection Data	
Connection technology	Push-in CAGE CLAMP®
Strip length	10 ... 12 mm / 0.39 ... 0.47 inch
Solid conductor	0.2 ... 6 mm <sup>2</sup> / 24 ... 10 AWG
Fine-stranded conductor	0.2 ... 6 mm <sup>2</sup> / 24 ... 10 AWG
Fine-stranded conductor with ferrule with plastic collar	0.25 ... 2.5 mm <sup>2</sup>
Fine-stranded conductor with ferrule without plastic collar	0.25 ... 2.5 mm <sup>2</sup>
Fine-stranded conductor, with twin ferrule	0.25 ... 1.5 mm <sup>2</sup>

Material Data	
Material group	I
Insulating material	Polyamide 66 (PA 66)
Flammability class per UL94	V0
Clamping spring material	Chrome nickel spring steel (CrNi)
Contact material	Electrolytic copper (Ecu)
Contact plating	Tin-plated

Mechanical Data	
Solder pin arrangement	within the terminal block, in line
Solder pin length	4 mm
Solder pin dimensions	0.8 x 1 mm
Drilled hole diameter (tolerance)	1.3 <sup>(+0.1)</sup> mm

Environmental Requirements	
Limit temperature range	-60 ... +105 °C

Ferrule [Page 847](#)

Tools [Page 838](#)

Additional information, see "Technical Section"

Approvals and corresponding ratings, visit [www.wago.com](http://www.wago.com)

## PCB Terminal Block ▶ 2624 Series

Push-in CAGE CLAMP® ▶ Actuation type: Operating tool ▶ 6 mm<sup>2</sup> ▶ Modular Terminal Block ▶ Pin spacing: 5 mm (0.197 inch) ▶ Color: gray

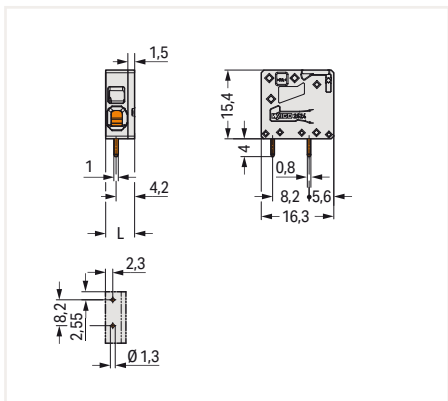
Conductor entry angle to the PCB: 0°

Conductor entry angle to the PCB: 90°

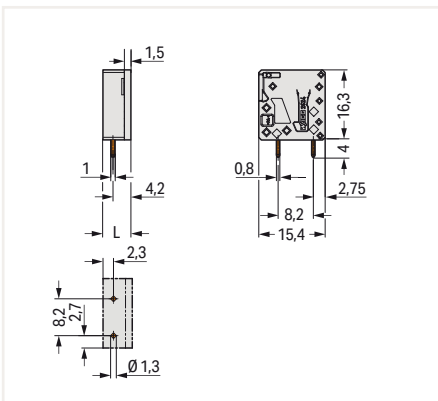


Color	Item No.	PU
● gray	2624-1101	300

Color	Item No.	PU
● gray	2624-3101	300



L = 6,5 mm



L = 6,5 mm

PU = Packaging Unit; SPU = Subpackaging Unit; Dimensions in mm

Other variants can be requested via the WAGO sales department or, if necessary, configured at <https://configurator.wago.com/>:

- Other pole numbers
- Direct marking
- Other colors

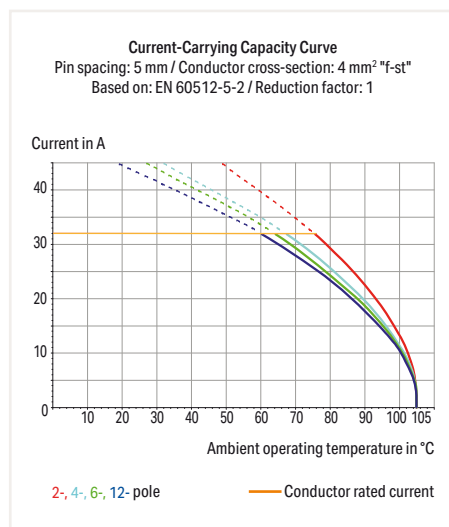
## PCB Terminal Block ▶ 2624 Series

Push-in CAGE CLAMP® ▶ Actuation type: Operating tool ▶ 6 mm<sup>2</sup> ▶ Terminal strip ▶ Color: gray

1



- PCB terminal blocks with Push-in CAGE CLAMP® connection
- Push-in termination of solid and ferruled conductors
- Ideal for panel feedthrough applications via operation parallel to conductor entry
- Testing can be performed both parallel and perpendicular to conductor entry

**Electrical Data**

Pin spacing	5 mm (0.197 inch)			7.5 mm (0.295 inch)			11.5 mm (0.453 inch)		
Ratings per	IEC/EN 60664-1			IEC/EN 60664-1			IEC/EN 60664-1		
Overvoltage category	III	III	II	III	III	II	III	III	II
Pollution degree	3	2	2	3	2	2	3	2	2
Rated voltage	320 V	400 V	630 V	630 V	630 V	1000 V	1000 V	1000 V	1000 V
Rated impulse voltage	4 kV	4 kV	4 kV	6 kV	6 kV	6 kV	8 kV	8 kV	8 kV
Rated current	41 A	41 A	41 A	41 A	41 A	41 A	41 A	41 A	41 A
Approvals per	UL 1059			UL 1059			UL 1059		
Use Group	B	C	D	B	C	D	B	C	D
Rated voltage	300 V	-	300 V	300 V	150 V	300 V	600 V	600 V	-
Rated current	26 A	-	10 A	26 A	26 A	10 A	26 A	26 A	-

**Connection Data**

Connection technology	Push-in CAGE CLAMP®
Strip length	10 ... 12 mm / 0.39 ... 0.47 inch
Solid conductor	0.2 ... 6 mm <sup>2</sup> / 24 ... 10 AWG
Fine-stranded conductor	0.2 ... 6 mm <sup>2</sup> / 24 ... 10 AWG
Fine-stranded conductor with ferrule with plastic collar	0.25 ... 2.5 mm <sup>2</sup>
Fine-stranded conductor with ferrule without plastic collar	0.25 ... 2.5 mm <sup>2</sup>
Fine-stranded conductor, with twin ferrule	0.25 ... 1.5 mm <sup>2</sup>

**Material Data**

Material group	I
Insulating material	Polyamide 66 (PA 66)
Flammability class per UL94	V0
Clamping spring material	Chrome nickel spring steel (CrNi)
Contact material	Electrolytic copper (Ecu)
Contact plating	Tin-plated

**Mechanical Data**

Solder pin arrangement	Over the entire terminal strip, in line
Solder pin length	4 mm
Solder pin dimensions	0.8 x 1 mm
Drilled hole diameter (tolerance)	1.3 <sup>(+0.1)</sup> mm

**Environmental Requirements**

Limit temperature range	-60 ... +105 °C
-------------------------	-----------------

Ferrule Page 847

Tools Page 838

Additional information, see "Technical Section"

Approvals and corresponding ratings, visit [www.wago.com](http://www.wago.com)

# PCB Terminal Block ▶ 2624 Series

Push-in CAGE CLAMP® ▶ Actuation type: Operating tool ▶ 6 mm<sup>2</sup> ▶ Terminal strip ▶ Color: gray

Conductor entry angle to the PCB: 0° ▶ Pin spacing: 5 mm (0.197 inch)

Conductor entry angle to the PCB: 0° ▶ Pin spacing: 7.5 mm (0.295 inch)

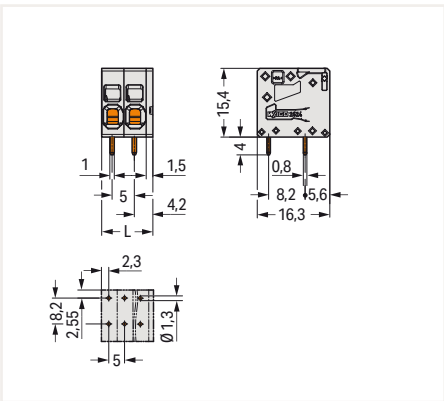
Conductor entry angle to the PCB: 0° ▶ Pin spacing: 11.5 mm (0.453 inch)



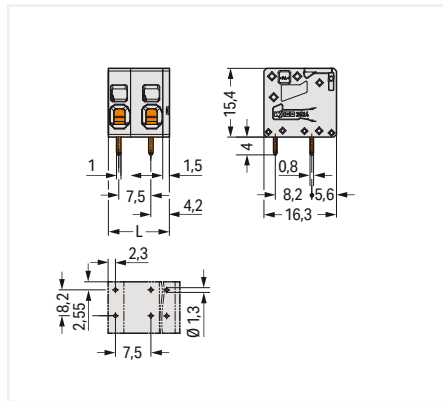
Pole No.	Item No.	PU
2	2624-1102	200
3	2624-1103	150
4	2624-1104	100
5	2624-1105	100
6	2624-1106	80
7	2624-1107	50
8	2624-1108	50
9	2624-1109	50
10	2624-1110	40
11	2624-1111	35
12	2624-1112	35

Pole No.	Item No.	PU
2	2624-1302	200
3	2624-1303	120
4	2624-1304	80
5	2624-1305	70
6	2624-1306	50
7	2624-1307	50
8	2624-1308	40
9	2624-1309	35
10	2624-1310	35
11	2624-1311	25
12	2624-1312	25

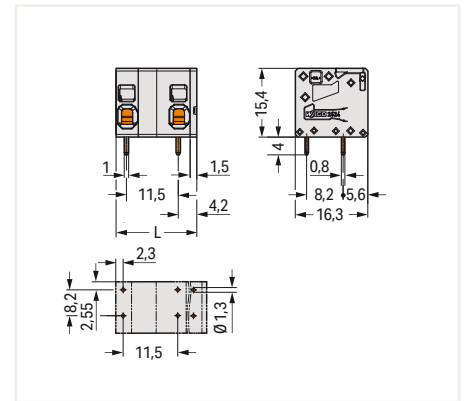
Pole No.	Item No.	PU
2	2624-1502	100
3	2624-1503	80
4	2624-1504	50
5	2624-1505	40
6	2624-1506	40
7	2624-1507	30
8	2624-1508	25
9	2624-1509	25
10	2624-1510	20
11	2624-1511	20
12	2624-1512	20



L = (pole no. - 1) x pin spacing + 6.5 mm



L = (pole no. - 1) x pin spacing + 6.5 mm



L = (pole no. - 1) x pin spacing + 6.5 mm

PU = Packaging Unit; SPU = Subpackaging Unit; Dimensions in mm

Other variants can be requested via the WAGO sales department or, if necessary, configured at <https://configurator.wago.com/>:

- Other pole numbers
- Direct marking
- Other colors

# PCB Terminal Block ▶ 2624 Series

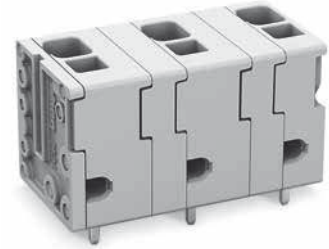
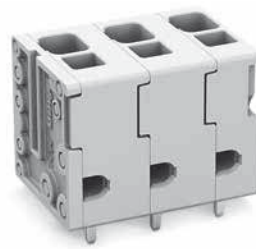
Push-in CAGE CLAMP® ▶ Actuation type: Operating tool ▶ 6 mm<sup>2</sup> ▶ Terminal strip ▶ Color: gray

Conductor entry angle to the PCB: 90° ▶ Pin spacing: 5 mm (0.197 inch)

Conductor entry angle to the PCB: 90° ▶ Pin spacing: 7.5 mm (0.295 inch)

Conductor entry angle to the PCB: 90° ▶ Pin spacing: 11.5 mm (0.453 inch)

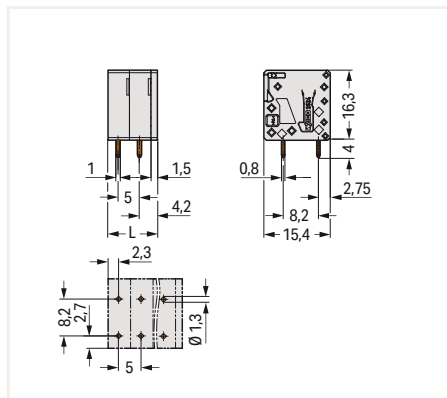
1



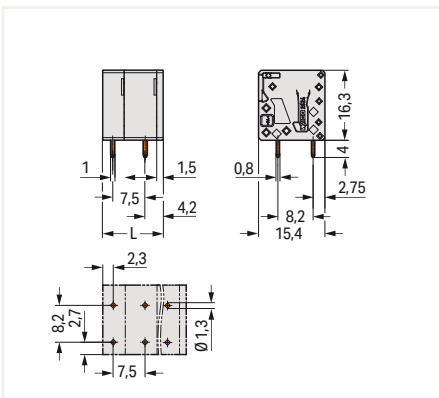
Pole No.	Item No.	PU
2	2624-3102	200
3	2624-3103	150
4	2624-3104	100
5	2624-3105	100
6	2624-3106	80
7	2624-3107	50
8	2624-3108	50
9	2624-3109	50
10	2624-3110	40
11	2624-3111	35
12	2624-3112	35

Pole No.	Item No.	PU
2	2624-3302	200
3	2624-3303	120
4	2624-3304	80
5	2624-3305	70
6	2624-3306	50
7	2624-3307	50
8	2624-3308	40
9	2624-3309	35
10	2624-3310	35
11	2624-3311	25
12	2624-3312	25

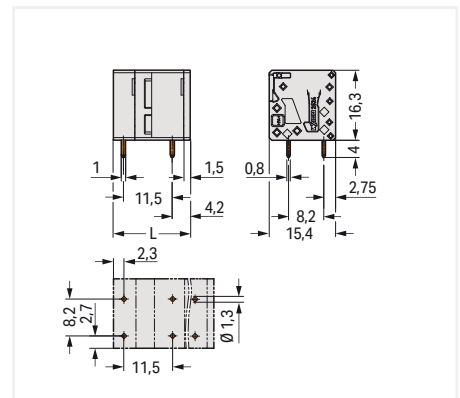
Pole No.	Item No.	PU
2	2624-3502	100
3	2624-3503	80
4	2624-3504	50
5	2624-3505	40
6	2624-3506	40
7	2624-3507	30
8	2624-3508	25
9	2624-3509	25
10	2624-3510	20
11	2624-3511	20
12	2624-3512	20



L = (pole no. - 1) x pin spacing + 6.5 mm



L = (pole no. - 1) x pin spacing + 6.5 mm



L = (pole no. - 1) x pin spacing + 6.5 mm

PU = Packaging Unit; SPU = Subpackaging Unit; Dimensions in mm

Other variants can be requested via the WAGO sales department or, if necessary, configured at <https://configurator.wago.com/>:

- Other pole numbers
- Direct marking
- Other colors



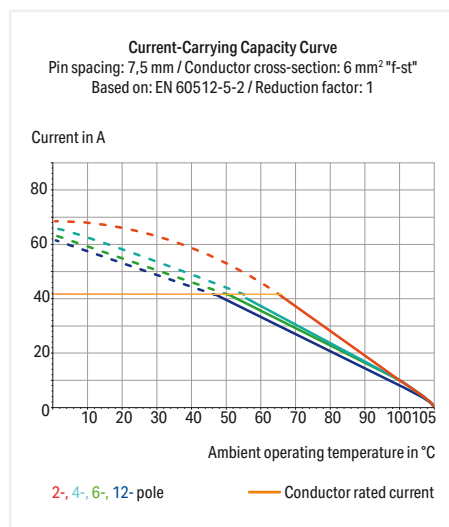
## PCB Terminal Block ▶ 2626 Series

Push-in CAGE CLAMP® ▶ Actuation type: Operating tool ▶ 10 mm<sup>2</sup> ▶ Modular Terminal Block ▶ Pin spacing: 7.5 mm (0.295 inch) ▶ Color: gray

1



- PCB terminal blocks with Push-in CAGE CLAMP® connection
- Push-in termination of solid and ferruled conductors
- Ideal for panel feedthrough applications via operation parallel to conductor entry
- Testing can be performed both parallel and perpendicular to conductor entry



### Electrical Data

Pin spacing	7.5 mm (0.295 inch)		
Ratings per	IEC/EN 60664-1		
Overvoltage category	III	III	II
Pollution degree	3	2	2
Rated voltage	800 V	1000 V	1000 V
Rated impulse voltage	8 kV	8 kV	8 kV
Rated current	41 A	41 A	41 A
Approvals per	UL 1059		
Use Group	B	C	D
Rated voltage	600 V	600 V	-
Rated current	38 A	38 A	-

### Connection Data

Connection technology	Push-in CAGE CLAMP®
Strip length	13 ... 15 mm / 0.51 ... 0.59 inch
Solid conductor	0.2 ... 10 mm <sup>2</sup> / 24 ... 8 AWG
Fine-stranded conductor	0.2 ... 10 mm <sup>2</sup> / 24 ... 8 AWG
Fine-stranded conductor with ferrule with plastic collar	0.25 ... 6 mm <sup>2</sup>
Fine-stranded conductor with ferrule without plastic collar	0.25 ... 6 mm <sup>2</sup>
Fine-stranded conductor, with twin ferrule	0.25 ... 2.5 mm <sup>2</sup>

### Material Data

Material group	I
Insulating material	Polyamide 66 (PA 66)
Flammability class per UL94	V0
Clamping spring material	Chrome nickel spring steel (CrNi)
Contact material	Electrolytic copper (Ecu)
Contact plating	Tin-plated

### Mechanical Data

Solder pin arrangement	within the terminal block, in line
Solder pin length	4 mm
Solder pin dimensions	1.5 x 1 mm
Drilled hole diameter (tolerance)	2 <sup>(±0.1)</sup> mm

### Environmental Requirements

Limit temperature range	-60 ... +105 °C
-------------------------	-----------------

Ferrule [Page 847](#)

Tools [Page 838](#)

Additional information, see "Technical Section"

Approvals and corresponding ratings, visit [www.wago.com](http://www.wago.com)



### PCB Terminal Block ▶ 2626 Series

Push-in CAGE CLAMP® ▶ Actuation type: Operating tool ▶ 10 mm<sup>2</sup> ▶ Modular Terminal Block ▶ Pin spacing: 7.5 mm (0.295 inch) ▶ Color: gray

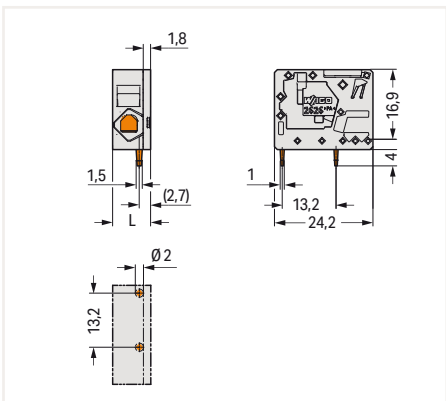
Conductor entry angle to the PCB: 0°

Conductor entry angle to the PCB: 90°

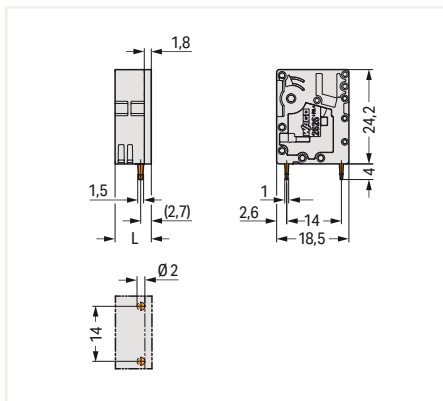


Color	Item No.	PU
● gray	2626-1101	200

Color	Item No.	PU
● gray	2626-3101	200



L = 9.3 mm



L = 9.3 mm

PU = Packaging Unit; SPU = Subpackaging Unit; Dimensions in mm

Other variants can be requested via the WAGO sales department or, if necessary, configured at <https://configurator.wago.com/>:

- Other pole numbers
- Direct marking
- Other colors

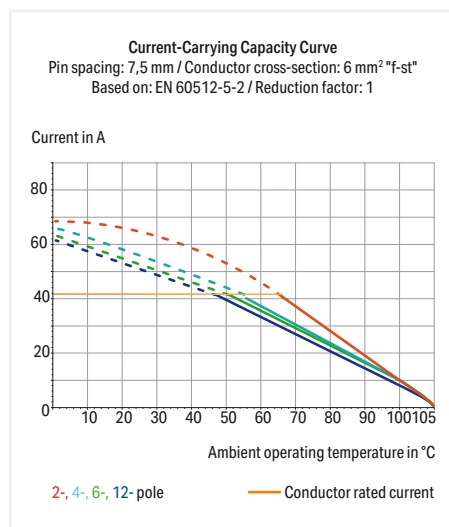
## PCB Terminal Block ▶ 2626 Series

Push-in CAGE CLAMP® ▶ Actuation type: Operating tool ▶ 10 mm<sup>2</sup> ▶ Terminal strip ▶ Pin spacing: 7.5 mm (0.295 inch) ▶ Color: gray

1



- PCB terminal blocks with Push-in CAGE CLAMP® connection
- Push-in termination of solid and ferruled conductors
- Ideal for panel feedthrough applications via operation parallel to conductor entry
- Testing can be performed both parallel and perpendicular to conductor entry



### Electrical Data

Pin spacing	7.5 mm (0.295 inch)		
Ratings per	IEC/EN 60664-1		
Overvoltage category	III	III	II
Pollution degree	3	2	2
Rated voltage	800 V	1000 V	1000 V
Rated impulse voltage	8 kV	8 kV	8 kV
Rated current	41 A	41 A	41 A
Approvals per	UL 1059		
Use Group	B	C	D
Rated voltage	600 V	600 V	-
Rated current	38 A	38 A	-

### Connection Data

Connection technology	Push-in CAGE CLAMP®
Strip length	13 ... 15 mm / 0.51 ... 0.59 inch
Solid conductor	0.2 ... 10 mm <sup>2</sup> / 24 ... 8 AWG
Fine-stranded conductor	0.2 ... 10 mm <sup>2</sup> / 24 ... 8 AWG
Fine-stranded conductor with ferrule with plastic collar	0.25 ... 6 mm <sup>2</sup>
Fine-stranded conductor with ferrule without plastic collar	0.25 ... 6 mm <sup>2</sup>
Fine-stranded conductor, with twin ferrule	0.25 ... 2.5 mm <sup>2</sup>

### Material Data

Material group	I
Insulating material	Polyamide 66 (PA 66)
Flammability class per UL94	V0
Clamping spring material	Chrome nickel spring steel (CrNi)
Contact material	Electrolytic copper (Ecu)
Contact plating	Tin-plated

### Mechanical Data

Solder pin arrangement	Over the entire terminal strip, staggered
Solder pin length	4 mm
Solder pin dimensions	1.5 x 1 mm
Drilled hole diameter (tolerance)	2 <sup>(+0.1)</sup> mm

### Environmental Requirements

Limit temperature range	-60 ... +105 °C
-------------------------	-----------------

Ferrule [Page 847](#)

Tools [Page 838](#)

Additional information, see "Technical Section"

Approvals and corresponding ratings, visit [www.wago.com](http://www.wago.com)

## PCB Terminal Block ▶ 2626 Series

Push-in CAGE CLAMP® ▶ Actuation type: Operating tool ▶ 10 mm<sup>2</sup> ▶ Terminal strip ▶ Pin spacing: 7.5 mm (0.295 inch) ▶ Color: gray

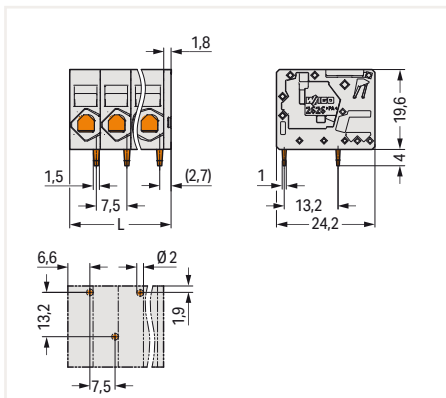
Conductor entry angle to the PCB: 0°

Conductor entry angle to the PCB: 90°

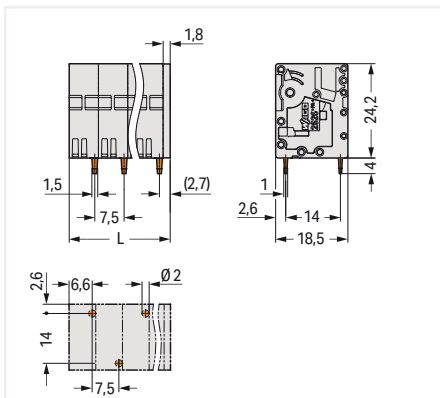


Pole No.	Item No.	PU
2	2626-1102/020-000	140
3	2626-1103/020-000	90
4	2626-1104/020-000	70
5	2626-1105/020-000	60
6	2626-1106/020-000	50
7	2626-1107/020-000	40
8	2626-1108/020-000	40
9	2626-1109/020-000	35
10	2626-1110/020-000	30
11	2626-1111/020-000	25
12	2626-1112/020-000	25

Pole No.	Item No.	PU
2	2626-3102/020-000	140
3	2626-3103/020-000	90
4	2626-3104/020-000	70
5	2626-3105/020-000	60
6	2626-3106/020-000	50
7	2626-3107/020-000	40
8	2626-3108/020-000	40
9	2626-3109/020-000	35
10	2626-3110/020-000	30
11	2626-3111/020-000	25
12	2626-3112/020-000	25



L = (pole no. - 1) x pin spacing + 9.3 mm



L = (pole no. - 1) x pin spacing + 9.3 mm

PU = Packaging Unit; SPU = Subpackaging Unit; Dimensions in mm

Other variants can be requested via the WAGO sales department or, if necessary, configured at <https://configurator.wago.com/>:

- Other pole numbers
- Direct marking
- Other colors

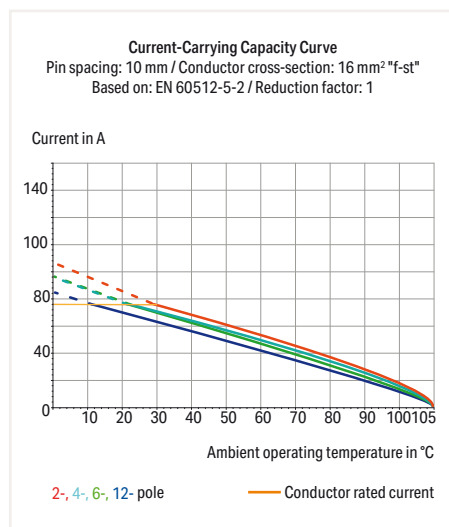
## PCB Terminal Block ▶ 2636 Series

Push-in CAGE CLAMP® ▶ Actuation type: Operating tool ▶ 16 mm<sup>2</sup> ▶ Modular Terminal Block ▶ Pin spacing: 10 mm (0.394 inch) ▶ Color: gray

1



- PCB terminal blocks with Push-in CAGE CLAMP® connection
- Push-in termination of solid and ferruled conductors
- Ideal for panel feedthrough applications via operation parallel to conductor entry
- Testing can be performed both parallel and perpendicular to conductor entry



### Electrical Data

Pin spacing	10 mm (0.394 inch)		
Ratings per	IEC/EN 60664-1		
Overvoltage category	III	III	II
Pollution degree	3	2	2
Rated voltage	1000 V	1000 V	1000 V
Rated impulse voltage	8 kV	8 kV	8 kV
Rated current	76 A	76 A	76 A
Approvals per	UL 1059		
Use Group	B	C	D
Rated voltage	600 V	600 V	-
Rated current	66 A	66 A	-

### Connection Data

Connection technology	Push-in CAGE CLAMP®
Strip length	18 ... 20 mm / 0.71 ... 0.79 inch
Solid conductor	0.75 ... 16 mm <sup>2</sup> / 18 ... 4 AWG
Fine-stranded conductor	0.75 ... 25 mm <sup>2</sup> / 18 ... 4 AWG
Fine-stranded conductor with ferrule with plastic collar	0.75 ... 16 mm <sup>2</sup>
Fine-stranded conductor with ferrule without plastic collar	0.75 ... 16 mm <sup>2</sup>
Fine-stranded conductor, with twin ferrule	0.75 ... 6 mm <sup>2</sup>

### Material Data

Material group	I
Insulating material	Polyamide 66 (PA 66)
Flammability class per UL94	V0
Clamping spring material	Chrome nickel spring steel (CrNi)
Contact material	Electrolytic copper (Ecu)
Contact plating	Tin-plated

### Mechanical Data

Solder pin arrangement	within the terminal block, in line
Solder pin length	4 mm
Solder pin dimensions	1.2 x 1 mm
Drilled hole diameter (tolerance)	1.7 <sup>(+0.1)</sup> mm

### Environmental Requirements

Limit temperature range	-60 ... +105 °C
-------------------------	-----------------

Ferrule Page 847

Tools Page 838

Additional information, see "Technical Section"

Approvals and corresponding ratings,  
visit [www.wago.com](http://www.wago.com)

### PCB Terminal Block ▶ 2636 Series

Push-in CAGE CLAMP® ▶ Actuation type: Operating tool ▶ 16 mm<sup>2</sup> ▶ Modular Terminal Block ▶ Pin spacing: 10 mm (0.394 inch) ▶ Color: gray

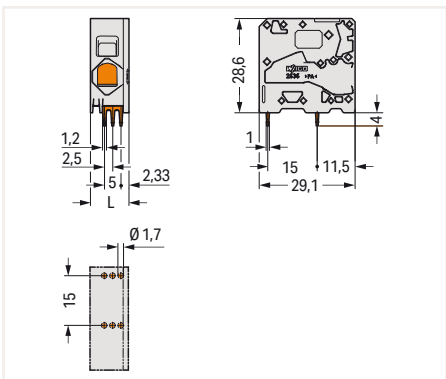
Conductor entry angle to the PCB: 0°

Conductor entry angle to the PCB: 90°

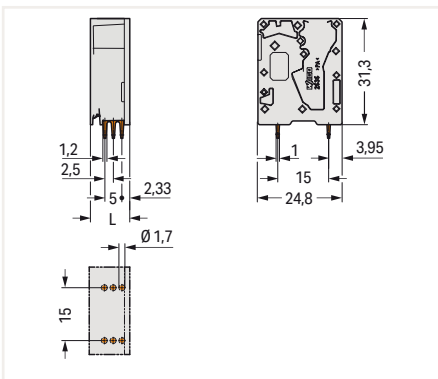


Color	Item No.	PU
● gray	2636-1101	100

Color	Item No.	PU
● gray	2636-3101	100



L = 11.6 mm



L = 11.6 mm

PU = Packaging Unit; SPU = Subpackaging Unit; Dimensions in mm

Other variants can be requested via the WAGO sales department or, if necessary, configured at <https://configurator.wago.com/>:

- Other pole numbers
- Direct marking
- Other colors

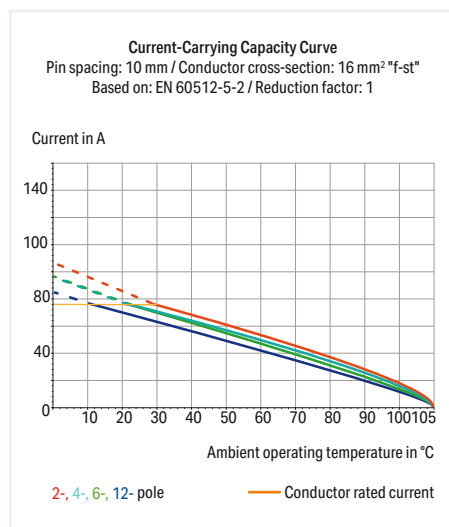
## PCB Terminal Block ▶ 2636 Series

Push-in CAGE CLAMP® ▶ Actuation type: Operating tool ▶ 16 mm<sup>2</sup> ▶ Terminal strip ▶ Pin spacing: 10 mm (0.394 inch) ▶ Color: gray

1



- PCB terminal blocks with Push-in CAGE CLAMP® connection
- Push-in termination of solid and ferruled conductors
- Ideal for panel feedthrough applications via operation parallel to conductor entry
- Testing can be performed both parallel and perpendicular to conductor entry



### Electrical Data

Pin spacing	10 mm (0.394 inch)		
Ratings per	IEC/EN 60664-1		
Overvoltage category	III	III	II
Pollution degree	3	2	2
Rated voltage	1000 V	1000 V	1000 V
Rated impulse voltage	8 kV	8 kV	8 kV
Rated current	76 A	76 A	76 A
Approvals per	UL 1059		
Use Group	B	C	D
Rated voltage	600 V	600 V	-
Rated current	66 A	66 A	-

### Connection Data

Connection technology	Push-in CAGE CLAMP®
Strip length	18 ... 20 mm / 0.71 ... 0.79 inch
Solid conductor	0.75 ... 16 mm <sup>2</sup> / 18 ... 4 AWG
Fine-stranded conductor	0.75 ... 25 mm <sup>2</sup> / 18 ... 4 AWG
Fine-stranded conductor with ferrule with plastic collar	0.75 ... 16 mm <sup>2</sup>
Fine-stranded conductor with ferrule without plastic collar	0.75 ... 16 mm <sup>2</sup>
Fine-stranded conductor, with twin ferrule	0.75 ... 6 mm <sup>2</sup>

### Material Data

Material group	I
Insulating material	Polyamide 66 (PA 66)
Flammability class per UL94	V0
Clamping spring material	Chrome nickel spring steel (CrNi)
Contact material	Electrolytic copper (Ecu)
Contact plating	Tin-plated

### Mechanical Data

Solder pin arrangement	Over the entire terminal strip, staggered
Solder pin length	4 mm
Solder pin dimensions	1.2 x 1 mm
Drilled hole diameter (tolerance)	1.7 <sup>(+0.1)</sup> mm

### Environmental Requirements

Limit temperature range	-60 ... +105 °C
-------------------------	-----------------

Ferrule Page 847

Tools Page 838

Additional information, see "Technical Section"

Approvals and corresponding ratings, visit [www.wago.com](http://www.wago.com)

## PCB Terminal Block ▶ 2636 Series

Push-in CAGE CLAMP® ▶ Actuation type: Operating tool ▶ 16 mm<sup>2</sup> ▶ Terminal strip ▶ Pin spacing: 10 mm (0.394 inch) ▶ Color: gray

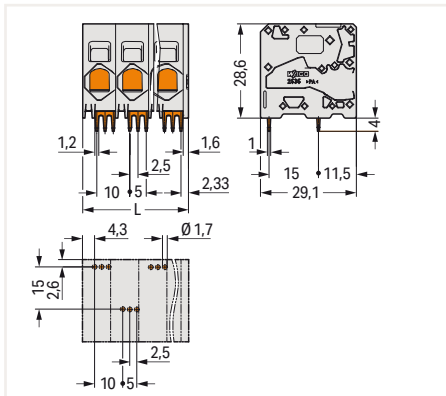
Conductor entry angle to the PCB: 0°

Conductor entry angle to the PCB: 90°

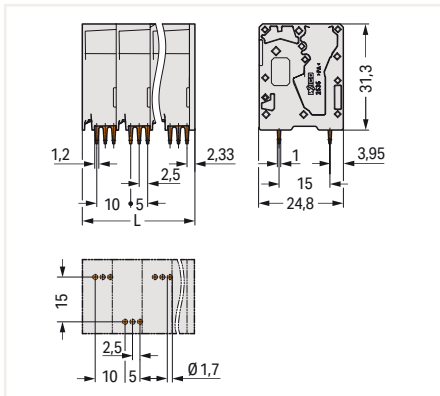


Pole No.	Item No.	PU
2	2636-1102/020-000	50
3	2636-1103/020-000	50
4	2636-1104/020-000	25
5	2636-1105/020-000	25
6	2636-1106/020-000	25
7	2636-1107/020-000	20
8	2636-1108/020-000	20
9	2636-1109/020-000	20
10	2636-1110/020-000	15
11	2636-1111/020-000	15
12	2636-1112/020-000	15

Pole No.	Item No.	PU
2	2636-3102/020-000	50
3	2636-3103/020-000	50
4	2636-3104/020-000	25
5	2636-3105/020-000	25
6	2636-3106/020-000	25
7	2636-3107/020-000	20
8	2636-3108/020-000	20
9	2636-3109/020-000	20
10	2636-3110/020-000	15
11	2636-3111/020-000	15
12	2636-3112/020-000	15



L = (pole no. - 1) x pin spacing + 11.6 mm



L = (pole no. - 1) x pin spacing + 11.6 mm

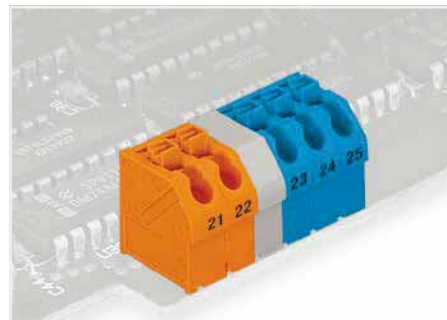
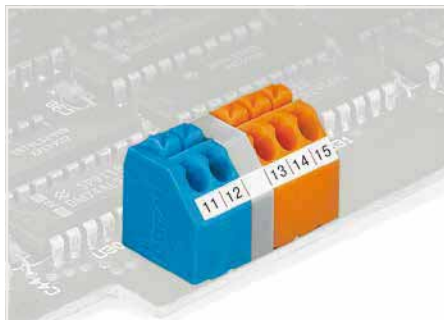
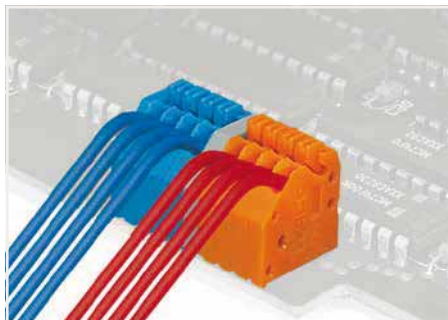
PU = Packaging Unit; SPU = Subpackaging Unit; Dimensions in mm

Other variants can be requested via the WAGO sales department or, if necessary, configured at <https://configurator.wago.com/>:

- Other pole numbers
- Direct marking
- Other colors

## 250 Series Description and Installation

1



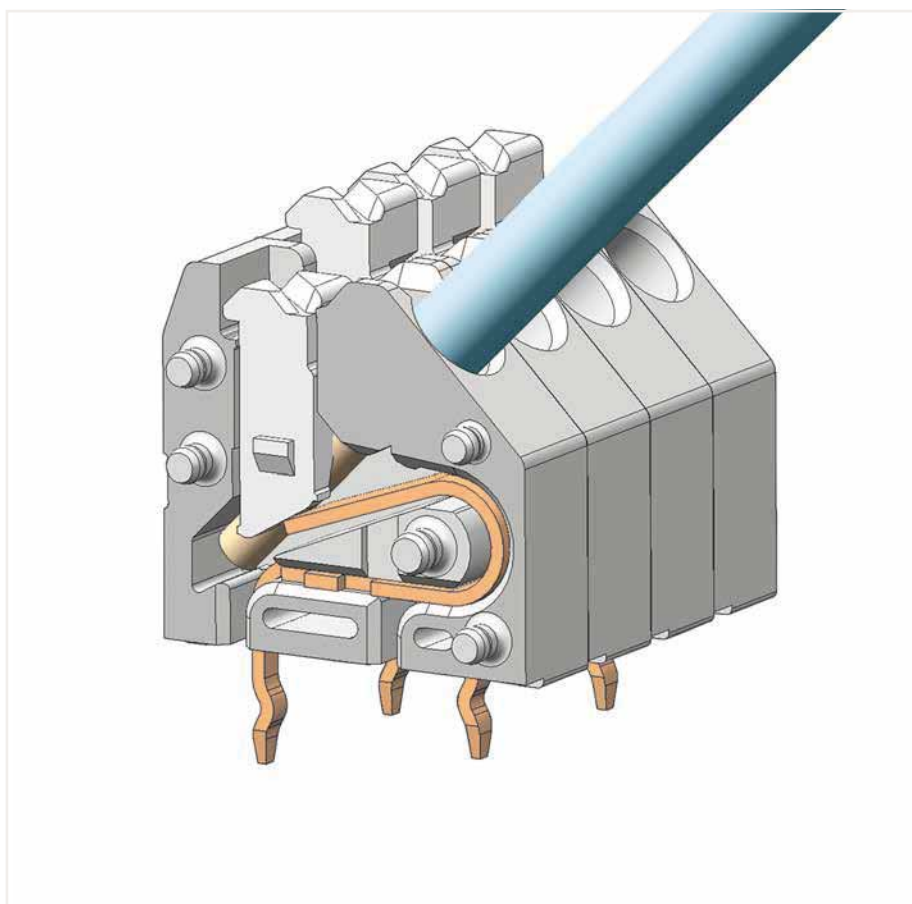
Labeling via self-adhesive strips or direct marking. Mixed-color terminal strips (with or without spacer) are available upon request.



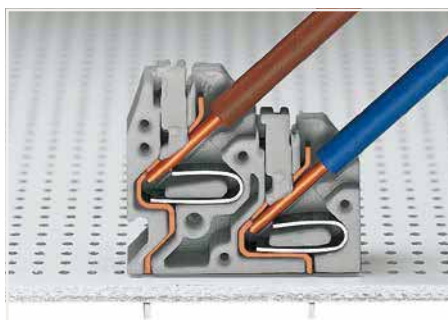
Space-saving wiring, 250 Series – 5 mm pin spacing.



Inserting solid conductors via push-in termination.  
Inserting fine-stranded conductors via push-buttons,  
250 Series – 3.5 mm pin spacing.



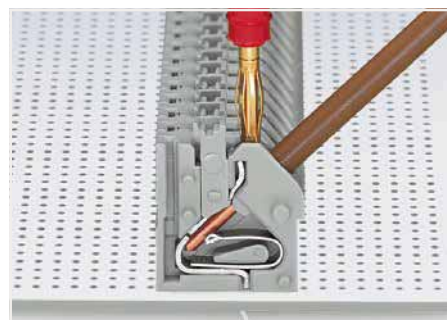
250 Series



Space-saving wiring – push-in termination of solid conductors.



Testing with 11 mm Ø test pin, on the conductor,  
250 Series – 2.5 ... 3.5 mm pin spacing.



Testing with 2 mm Ø test plug, touch contact,  
250 Series – 5 mm pin spacing.





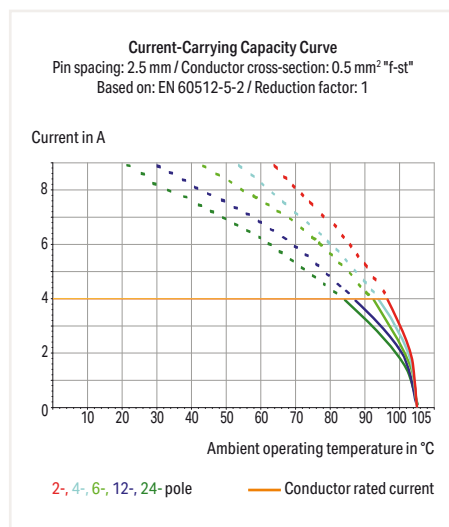
## PCB Terminal Block ▶ 250 Series

Push-in CAGE CLAMP® ▶ Actuation type: Push-button ▶ 0.5 mm<sup>2</sup> ▶ Solder pin arrangement: Over the entire terminal strip, in line ▶ Pin spacing: 2.5 mm (0.098 inch) ▶ Color: gray

1



- Compact PCB terminal strips with push-buttons
- Push-in termination of solid conductors
- Termination/removal of fine-stranded conductors via push-buttons
- 45° conductor entry angle provides easy, space-saving wiring
- Custom color combinations
- Terminal strips also available with spacers upon request



### Electrical Data

Pin spacing	2.5 mm (0.098 inch)		
Ratings per	IEC/EN 60664-1		
Overvoltage category	III	III	II
Pollution degree	3	2	2
Rated voltage	100 V	160 V	320 V
Rated impulse voltage	2.5 kV	2.5 kV	2.5 kV
Rated current	4 A	4 A	4 A

### Connection Data

Connection technology	Push-in CAGE CLAMP®
Strip length	8.5 ... 9.5 mm / 0.33 ... 0.37 inch
Conductor entry angle to the PCB	45°
Solid conductor	0.14 ... 0.5 mm <sup>2</sup> / 24 ... 20 AWG
Fine-stranded conductor	0.2 ... 0.5 mm <sup>2</sup> / 24 ... 20 AWG
Conductor diameter	0.4 ... 0.8 mm / 24 ... 20 AWG

### Material Data

Material group	I
Insulating material	Polyamide 66 (PA 66)
Flammability class per UL94	V0
Clamping spring material	Copper alloy
Contact material	Electrolytic copper (Ecu)
Contact plating	Tin-plated

### Mechanical Data

Solder pin arrangement	Over the entire terminal strip, in line
Solder pin length	3.6 mm
Solder pin dimensions	0.4 x 0.75 mm
Drilled hole diameter (tolerance)	1 <sup>(+0.1)</sup> mm

### Environmental Requirements

Limit temperature range	-60 ... +105 °C
-------------------------	-----------------

Marking Page 832

Testing and measuring Page 854

Tools Page 838

Additional information, see "Technical Section"

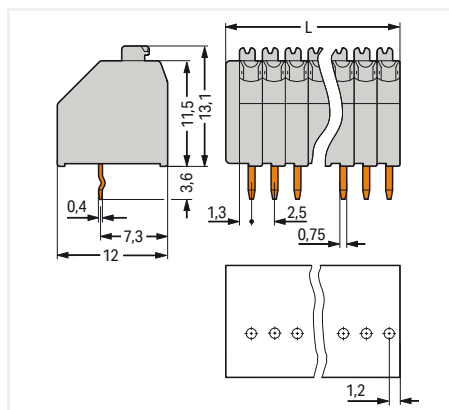
Approvals and corresponding ratings,  
visit [www.wago.com](http://www.wago.com)

## PCB Terminal Block ▶ 250 Series

Push-in CAGE CLAMP® ▶ Actuation type: Push-button ▶ 0.5 mm<sup>2</sup> ▶ Solder pin arrangement: Over the entire terminal strip, in line ▶ Pin spacing: 2.5 mm (0.098 inch) ▶ Color: gray



Pole No.	Item No.	PU (SPU)
2	250-302	720 (180)
3	250-303	520 (130)
4	250-304	400 (100)
5	250-305	340 (85)
6	250-306	280 (70)
7	250-307	240 (60)
8	250-308	220 (55)
9	250-309	200 (50)
10	250-310	180 (45)
11	250-311	160 (40)
12	250-312	140 (35)
13	250-313	140 (35)
14	250-314	120 (30)
15	250-315	120 (30)
16	250-316	100 (25)
17	250-317	100 (25)
18	250-318	80 (20)
19	250-319	80 (20)
20	250-320	80 (20)
21	250-321	80 (20)
22	250-322	80 (20)
23	250-323	80 (20)
24	250-324	60 (15)



$L = (\text{pole no.} \times \text{pin spacing}) + 1.5 \text{ mm}$

PU = Packaging Unit; SPU = Subpackaging Unit; Dimensions in mm

Other variants can be requested via the WAGO sales department or, if necessary, configured at <https://configurator.wago.com/>:

- Other pole numbers
- Other colors
- Mixed-color terminal strips
- Terminal strips with spacers
- Direct marking

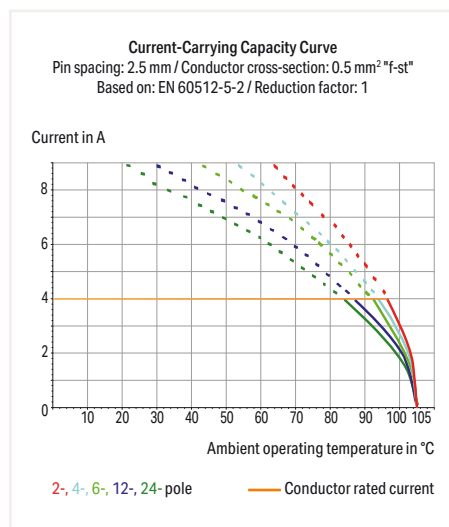
## PCB Terminal Block ▶ 250 Series

Push-in CAGE CLAMP® ▶ Actuation type: Push-button ▶ 0.5 mm<sup>2</sup> ▶ Solder pin arrangement: Over the entire terminal strip, staggered ▶ Color: gray

1



- Compact terminal strips with push-buttons
- Push-in termination for solid conductors
- Termination/removal of fine-stranded conductors via push-buttons
- 45° conductor entry angle provides easy, space-saving wiring
- Custom color combinations
- Terminal strips also available with spacers upon request



Electrical Data			
Pin spacing	2.5 mm (0.098 inch) / 2.54 mm (0.1 inch)		
Ratings per	IEC/EN 60664-1		
Overtoltage category	III	III	II
Pollution degree	3	2	2
Rated voltage	160 V	160 V	320 V
Rated impulse voltage	2.5 kV	2.5 kV	2.5 kV
Rated current	4 A	4 A	4 A
Approvals per	UL 1059		
Use Group	B	C	D
Rated voltage	300 V	-	300 V
Rated current	5 A	-	5 A
Approvals per	CSA		
Use Group	B	C	D
Rated voltage	300 V	-	300 V
Rated current	5 A	-	5 A

Connection Data	
Connection technology	Push-in CAGE CLAMP®
Strip length	8.5 ... 9.5 mm / 0.33 ... 0.37 inch
Conductor entry angle to the PCB	45°
Solid conductor	0.14 ... 0.5 mm <sup>2</sup> / 24 ... 20 AWG
Fine-stranded conductor	0.2 ... 0.5 mm <sup>2</sup> / 24 ... 20 AWG
Conductor diameter	0.4 ... 0.8 mm / 24 ... 20 AWG

Material Data	
Material group	I
Insulating material	Polyamide 66 (PA 66)
Flammability class per UL94	V0
Clamping spring material	Copper alloy
Contact plating	Tin-plated

Mechanical Data	
Solder pin arrangement	Over the entire terminal strip, staggered
Solder pin length	3.6 mm
Solder pin dimensions	0.4 x 0.75 mm
Drilled hole diameter (tolerance)	1 <sup>(+0.1)</sup> mm

Environmental Requirements	
Limit temperature range	-60 ... +105 °C

Marking Page 832

Testing and measuring Page 854

Tools Page 838

Additional information, see "Technical Section"

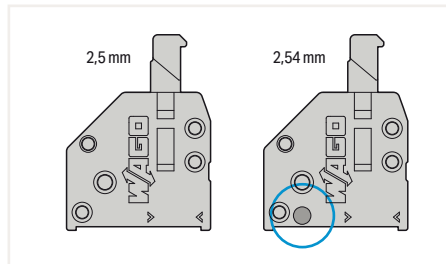
Approvals and corresponding ratings, visit [www.wago.com](http://www.wago.com)

### PCB Terminal Block ▶ 250 Series

Push-in CAGE CLAMP® ▶ Actuation type: Push-button ▶ 0.5 mm<sup>2</sup> ▶ Solder pin arrangement: Over the entire terminal strip, staggered ▶ Color: gray

Pin spacing: 2.5 mm (0.098 inch)

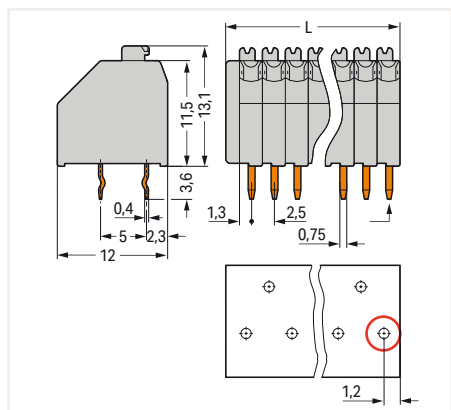
Pin spacing: 2.54 mm (0.1 inch)



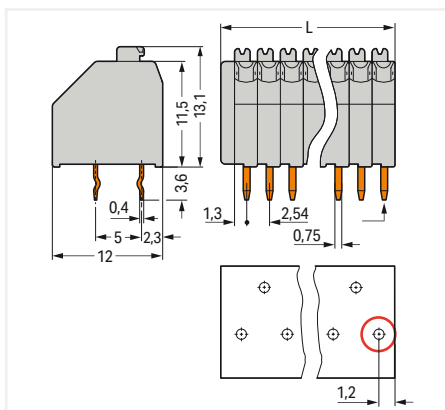
A groove at the back of the terminal strip differentiates between the two pin spacings.

1

Pole No.	Item No.	PU (SPU)	Pole No.	Item No.	PU (SPU)
2	250-402	720 (180)	2	250-1402	720 (180)
3	250-403	520 (130)	3	250-1403	520 (130)
4	250-404	400 (100)	4	250-1404	400 (100)
5	250-405	340 (85)	5	250-1405	340 (85)
6	250-406	280 (70)	6	250-1406	280 (70)
7	250-407	240 (60)	7	250-1407	240 (60)
8	250-408	220 (55)	8	250-1408	200 (50)
9	250-409	200 (50)	9	250-1409	180 (45)
10	250-410	180 (45)	10	250-1410	160 (40)
11	250-411	160 (40)	11	250-1411	160 (40)
12	250-412	140 (35)	12	250-1412	140 (35)
13	250-413	140 (35)	13	250-1413	120 (30)
14	250-414	120 (30)	14	250-1414	120 (30)
15	250-415	120 (30)	15	250-1415	120 (30)
16	250-416	100 (25)	16	250-1416	100 (25)
17	250-417	100 (25)	17	250-1417	100 (25)
18	250-418	80 (20)	18	250-1418	100 (25)
19	250-419	80 (20)	19	250-1419	80 (20)
20	250-420	80 (20)	20	250-1420	80 (20)
21	250-421	80 (20)	21	250-1421	80 (20)
22	250-422	80 (20)	22	250-1422	80 (20)
23	250-423	60 (15)	23	250-1423	80 (20)
24	250-424	60 (15)	24	250-1424	60 (15)



L = (pole no. x pin spacing) + 1.5 mm  
First solder pin, front right (red circle)



L = (pole no. x pin spacing) + 1.5 mm  
First solder pin, front right (red circle)

PU = Packaging Unit; SPU = Subpackaging Unit; Dimensions in mm

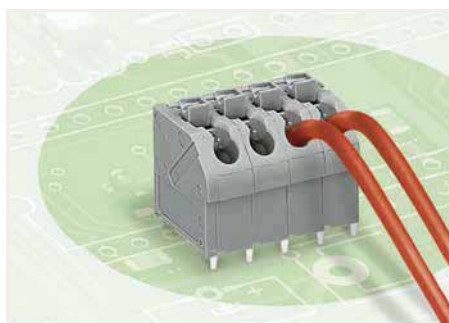
Other variants can be requested via the WAGO sales department or, if necessary, configured at <https://configurator.wago.com/>:

- Other pole numbers
- Other colors
- Mixed-color terminal strips
- Terminal strips with spacers
- Direct marking

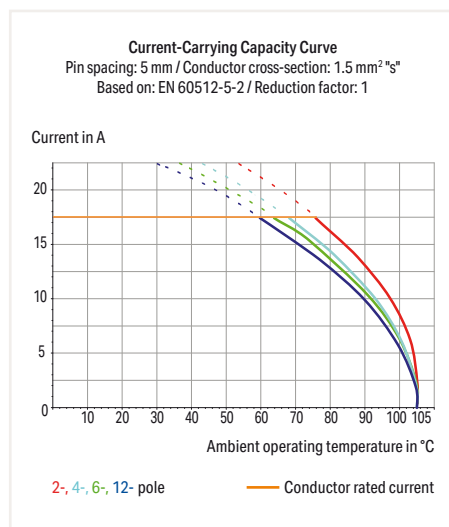
## PCB Terminal Block ▶ 250 Series

Push-in CAGE CLAMP® ▶ Actuation type: Push-button ▶ 1.5 mm<sup>2</sup> ▶ Solder pin arrangement: Over the entire terminal strip, in line ▶ Color: gray

1



- Compact terminal strips with push-buttons
- Push-in terminations of solid and ferruled conductors
- Termination/removal of fine-stranded conductors via push-buttons
- 45° conductor entry angle provides easy, space-saving wiring



### Electrical Data

Pin spacing	3.5 mm (0.138 inch)			5 mm (0.197 inch)			7.5 mm (0.295 inch)		
Ratings per	IEC/EN 60664-1								
Overvoltage category	III	III	II	III	III	II	III	III	II
Pollution degree	3	2	2	3	2	2	3	2	2
Rated voltage	160 V	160 V	320 V	320 V	320 V	630 V	500 V	630 V	1000 V
Rated impulse voltage	2.5 kV	2.5 kV	2.5 kV	4 kV	4 kV	4 kV	6 kV	6 kV	6 kV
Rated current	8 A	8 A	8 A	17.5 A	17.5 A	17.5 A	17.5 A	17.5 A	17.5 A
Approvals per	UL 1059			UL 1059			UL 1059		
Use Group	B	C	D	B	C	D	B	C	D
Rated voltage	300 V	-	300 V	300 V	-	300 V	300 V	-	300 V
Rated current	5 A	-	5 A	2 A	-	2 A	2 A	-	2 A
Approvals per	CSA			CSA			CSA		
Use Group	B	C	D	B	C	D	B	C	D
Rated voltage	300 V	-	300 V	300 V	-	300 V	300 V	-	300 V
Rated current	10 A	-	10 A	10 A	-	10 A	10 A	-	10 A

### Connection Data

Connection technology	Push-in CAGE CLAMP®
Conductor entry angle to the PCB	45°

### Material Data

Material group	I
Insulating material	Polyamide 66 (PA 66)
Flammability class per UL94	V0
Clamping spring material	Chrome nickel spring steel (CrNi)
Contact material	Electrolytic copper (Ecu)
Contact plating	Tin-plated

### Mechanical Data

Solder pin arrangement	Over the entire terminal strip, in line
Drilled hole diameter (tolerance)	1 <sup>(+0.1)</sup> mm

### Environmental Requirements

Limit temperature range	-60 ... +105 °C
-------------------------	-----------------

Ferrule Page 847

Marking Page 832

Testing and measuring Page 854

Tools Page 838

Additional information, see "Technical Section"

Approvals and corresponding ratings,  
visit [www.wago.com](http://www.wago.com)

# PCB Terminal Block ▶ 250 Series

Push-in CAGE CLAMP® ▶ Actuation type: Push-button ▶ 1.5 mm<sup>2</sup> ▶ Solder pin arrangement: Over the entire terminal strip, in line ▶ Color: gray

Pin spacing: 3.5 mm (0.138 inch)

Pin spacing: 5 mm (0.197 inch)

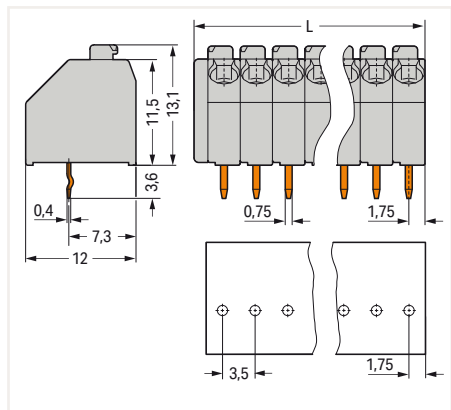
Pin spacing: 7.5 mm (0.295 inch)



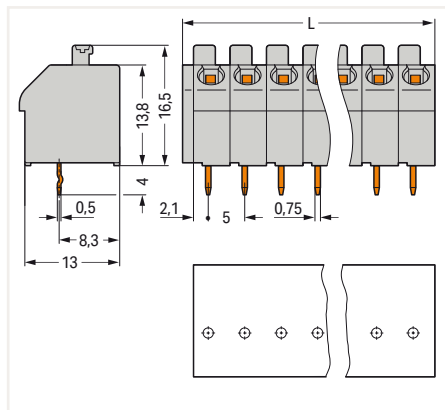
Pole No.	Item No.	PU (SPU)
2	250-102	560 (140)
3	250-103	400 (100)
4	250-104	300 (75)
5	250-105	240 (60)
6	250-106	200 (50)
7	250-107	180 (45)
8	250-108	160 (40)
9	250-109	140 (35)
10	250-110	120 (30)
11	250-111	120 (30)
12	250-112	100 (25)
13	250-113	100 (25)
14	250-114	80 (20)
15	250-115	80 (20)
16	250-116	80 (20)
17	250-117	60 (15)
18	250-118	60 (15)
19	250-119	60 (15)
20	250-120	60 (15)
21	250-121	60 (15)
22	250-122	60 (15)
23	250-123	60 (15)
24	250-124	40 (10)

Pole No.	Item No.	PU (SPU)
2	250-502	400 (100)
3	250-503	280 (70)
4	250-504	220 (55)
5	250-505	180 (45)
6	250-506	140 (35)
7	250-507	120 (30)
8	250-508	100 (25)
9	250-509	100 (25)
10	250-510	80 (20)
11	250-511	80 (20)
12	250-512	60 (15)
13	250-513	60 (15)
14	250-514	60 (15)
15	250-515	60 (15)
16	250-516	40 (10)

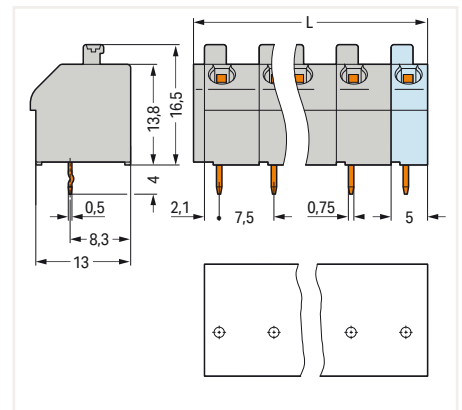
Pole No.	Item No.	PU (SPU)
2	250-602	340 (85)
3	250-603	200 (50)
4	250-604	160 (40)
5	250-605	120 (30)
6	250-606	100 (25)
7	250-607	80 (20)
8	250-608	60 (15)
9	250-609	60 (15)
10	250-610	60 (15)
11	250-611	40 (10)
12	250-612	40 (10)



$L = (\text{pole no.} \times \text{pin spacing}) + 1.5 \text{ mm}$



$L = (\text{pole no.} \times \text{pin spacing}) + 1.5 \text{ mm}$



$L = (\text{pole no.} - 1) \times \text{pin spacing} + 5 \text{ mm} + 1.5 \text{ mm}$

PU = Packaging Unit; SPU = Subpackaging Unit; Dimensions in mm

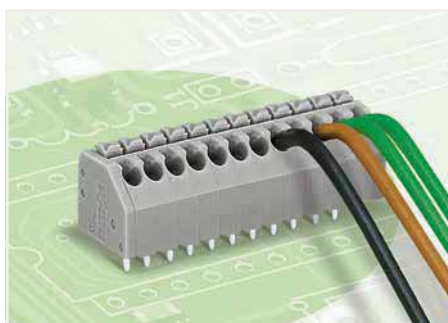
Other variants can be requested via the WAGO sales department or, if necessary, configured at <https://configurator.wago.com/>:

- Other pole numbers
- Other colors
- Mixed-color terminal strips
- Direct marking

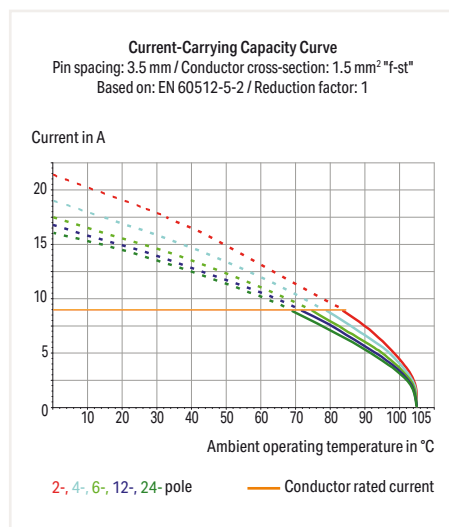
## PCB Terminal Block ▶ 250 Series

Push-in CAGE CLAMP® ▶ Actuation type: Push-button ▶ 1.5 mm<sup>2</sup> ▶ Solder pin arrangement: Over the entire terminal strip, staggered ▶ Pin spacing: 3.5 mm (0.138 inch) ▶ Color: gray

1



- Compact terminal strips with push-buttons
- Push-in terminations of solid and ferruled conductors
- Termination/removal of fine-stranded conductors via push-buttons
- 45° conductor entry angle provides easy, space-saving wiring
- Custom color combinations
- Terminal strips also available with spacers upon request



### Electrical Data

Pin spacing	3.5 mm (0.138 inch)		
Ratings per	IEC/EN 60664-1		
Overvoltage category	III	III	II
Pollution degree	3	2	2
Rated voltage	250 V	320 V	630 V
Rated impulse voltage	4 kV	4 kV	4 kV
Rated current	8 A	8 A	8 A
Approvals per	UL 1059		
Use Group	B	C	D
Rated voltage	300 V	-	300 V
Rated current	8 A	-	5 A
Approvals per	CSA		
Use Group	B	C	D
Rated voltage	300 V	-	300 V
Rated current	10 A	-	10 A

### Connection Data

Connection technology	Push-in CAGE CLAMP®
Strip length	8.5 ... 9.5 mm / 0.33 ... 0.37 inch
Conductor entry angle to the PCB	45°
Solid conductor	0.2 ... 1.5 mm <sup>2</sup> / 24 ... 16 AWG
Fine-stranded conductor	0.2 ... 1.5 mm <sup>2</sup> / 24 ... 16 AWG
Fine-stranded conductor with ferrule with plastic collar	0.25 ... 1 mm <sup>2</sup>
Fine-stranded conductor with ferrule without plastic collar	0.25 ... 1 mm <sup>2</sup>

### Material Data

Material group	I
Insulating material	Polyamide 66 (PA 66)
Flammability class per UL94	V0
Clamping spring material	Copper alloy
Contact plating	Tin-plated

### Mechanical Data

Solder pin arrangement	Over the entire terminal strip, staggered
Solder pin length	3.6 mm
Solder pin dimensions	0.4 x 0.75 mm
Drilled hole diameter (tolerance)	1 <sup>(+0.1)</sup> mm

### Environmental Requirements

Limit temperature range	-60 ... +105 °C
-------------------------	-----------------

Ferrule Page 847

Marking Page 832

Testing and measuring Page 854

Tools Page 838

Additional information, see "Technical Section"

Approvals and corresponding ratings, visit [www.wago.com](http://www.wago.com)

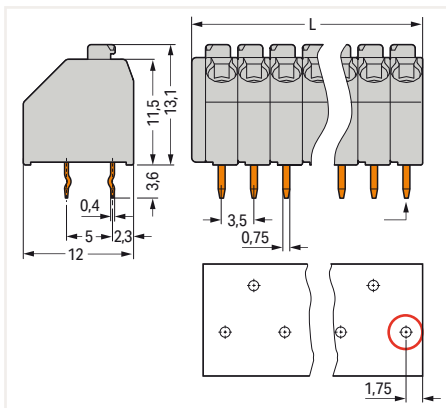


## PCB Terminal Block ▶ 250 Series

Push-in CAGE CLAMP® ▶ Actuation type: Push-button ▶ 1.5 mm<sup>2</sup> ▶ Solder pin arrangement: Over the entire terminal strip, staggered ▶ Pin spacing: 3.5 mm (0.138 inch) ▶ Color: gray



Pole No.	Item No.	PU (SPU)
2	250-202	560 (140)
3	250-203	400 (100)
4	250-204	300 (75)
5	250-205	240 (60)
6	250-206	200 (50)
7	250-207	180 (45)
8	250-208	160 (40)
9	250-209	140 (35)
10	250-210	120 (30)
11	250-211	120 (30)
12	250-212	100 (25)
13	250-213	100 (25)
14	250-214	80 (20)
15	250-215	80 (20)
16	250-216	80 (20)
17	250-217	60 (15)
18	250-218	60 (15)
19	250-219	60 (15)
20	250-220	60 (15)
21	250-221	60 (15)
22	250-222	60 (15)
23	250-223	40 (10)
24	250-224	40 (10)



$L = (\text{pole no.} \times \text{pin spacing}) + 1.5 \text{ mm}$   
 First solder pin, front right (red circle)

PU = Packaging Unit; SPU = Subpackaging Unit; Dimensions in mm

Other variants can be requested via the WAGO sales department or, if necessary, configured at <https://configurator.wago.com/>:

- Other pole numbers
- Other colors
- Mixed-color terminal strips
- Terminal strips with spacers
- Direct marking

## Double-Deck PCB Terminal Block ▶ 250 Series

Push-in CAGE CLAMP® ▶ Actuation type: Push-button ▶ 1.5 mm<sup>2</sup> ▶ Solder pin arrangement: Over the entire terminal strip, in line ▶ Pin spacing: 5 mm (0.197 inch) ▶ Color: gray

1



- Space-saving, double-Deck terminal strips with push-buttons
- Push-in termination of solid and ferruled conductors
- Termination/removal of fine-stranded conductors via push-buttons
- 45° conductor entry angle provides easy, space-saving wiring

Electrical Data			
Pin spacing	5 mm (0.197 inch)		
Ratings per	IEC/EN 60664-1		
Overvoltage category	III	III	II
Pollution degree	3	2	2
Rated voltage	320 V	320 V	630 V
Rated impulse voltage	4 kV	4 kV	4 kV
Rated current	10 A	10 A	10 A
Approvals per	UL 1059		
Use Group	B	C	D
Rated voltage	300 V	-	300 V
Rated current	10 A	-	10 A
Approvals per	CSA		
Use Group	B	C	D
Rated voltage	300 V	-	300 V
Rated current	10 A	-	10 A
Connection Data			
Connection technology	Push-in CAGE CLAMP®		
Strip length	9 ... 10 mm / 0.35 ... 0.39 inch		
Conductor entry angle to the PCB	45°		
Solid conductor	0.5 ... 1.5 mm <sup>2</sup> / 20 ... 16 AWG		
Fine-stranded conductor	0.75 ... 1.5 mm <sup>2</sup> / ...		
Fine-stranded conductor with ferrule with plastic collar	0.5 ... 1 mm <sup>2</sup>		
Fine-stranded conductor with ferrule without plastic collar	0.5 ... 1 mm <sup>2</sup>		
Material Data			
Insulating material	Polyamide 66 (PA 66)		
Flammability class per UL94	V0		
Clamping spring material	Chrome nickel spring steel (CrNi)		
Contact material	Electrolytic copper (Ecu)		
Contact plating	Tin-plated		
Mechanical Data			
Solder pin arrangement	Over the entire terminal strip, in line		
Solder pin length	4 mm		
Solder pin dimensions	0.5 x 0.75 mm		
Drilled hole diameter (tolerance)	1 <sup>(+0.1)</sup> mm		

Ferrule [Page 847](#)

Marking [Page 833](#)

Testing and measuring [Page 854](#)

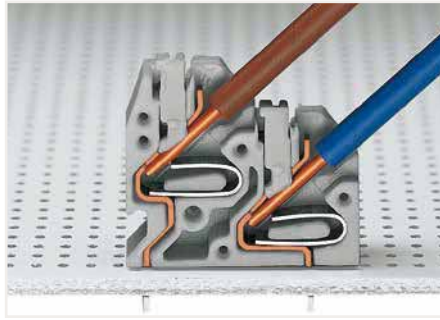
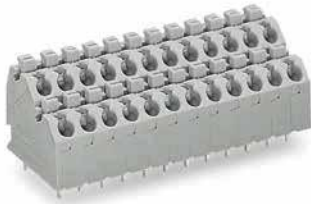
Tools [Page 838](#)

Additional information, see "Technical Section"

Approvals and corresponding ratings, visit [www.wago.com](http://www.wago.com)

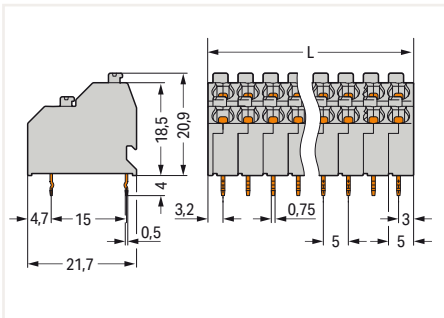
## Double-Deck PCB Terminal Block ▶ 250 Series

Push-in CAGE CLAMP® ▶ Actuation type: Push-button ▶ 1.5 mm<sup>2</sup> ▶ Solder pin arrangement: Over the entire terminal strip, in line ▶ Pin spacing: 5 mm (0.197 inch) ▶ Color: gray

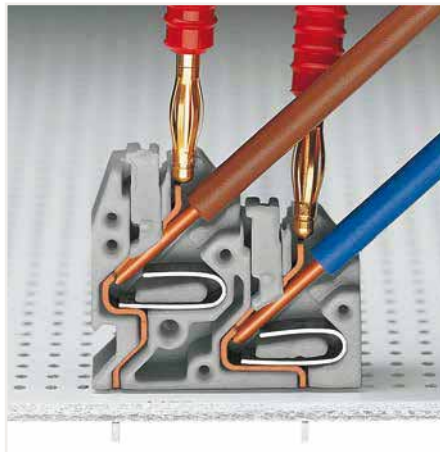


Space-saving wiring – push-in termination of solid conductors.

Pole No.	Item No.	PU (SPU)
2	250-702	264 (66)
3	250-703	180 (45)
4	250-704	132 (33)
6	250-706	84 (21)
8	250-708	72 (18)
10	250-710	48 (12)
12	250-712	48 (12)
16	250-716	36 (9)



$L = (\text{pole no.} \times \text{pin spacing}) + 1.2 \text{ mm}$



Testing with 2 mm Ø test plug – touch contact.

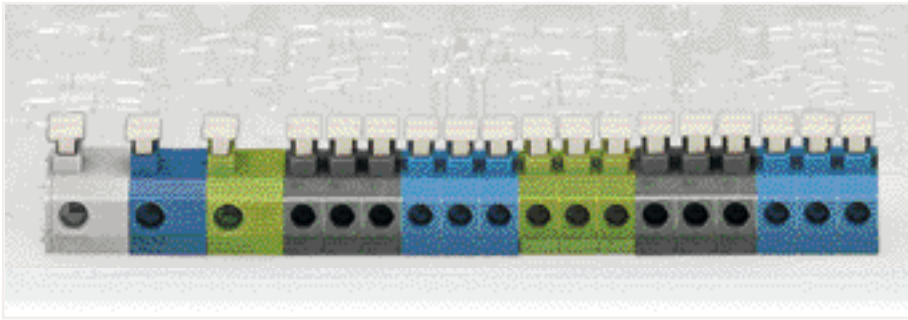
PU = Packaging Unit; SPU = Subpackaging Unit; Dimensions in mm

Other variants can be requested via the WAGO sales department or, if necessary, configured at <https://configurator.wago.com/>:

- Other pole numbers
- Other colors
- Direct marking

# 235 Series Description and Installation

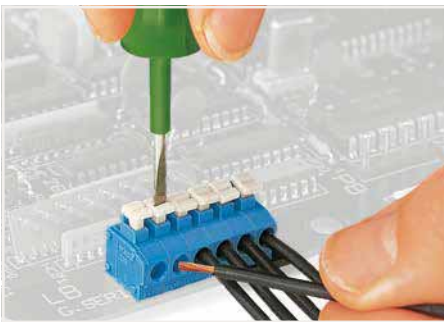
1



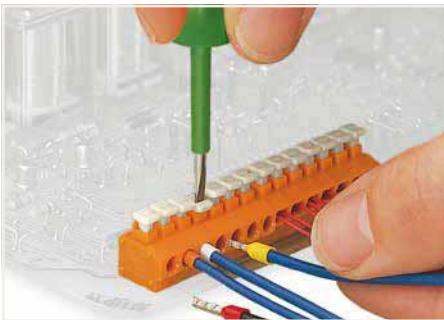
Combining terminal blocks with different housing colors and pin spacing.



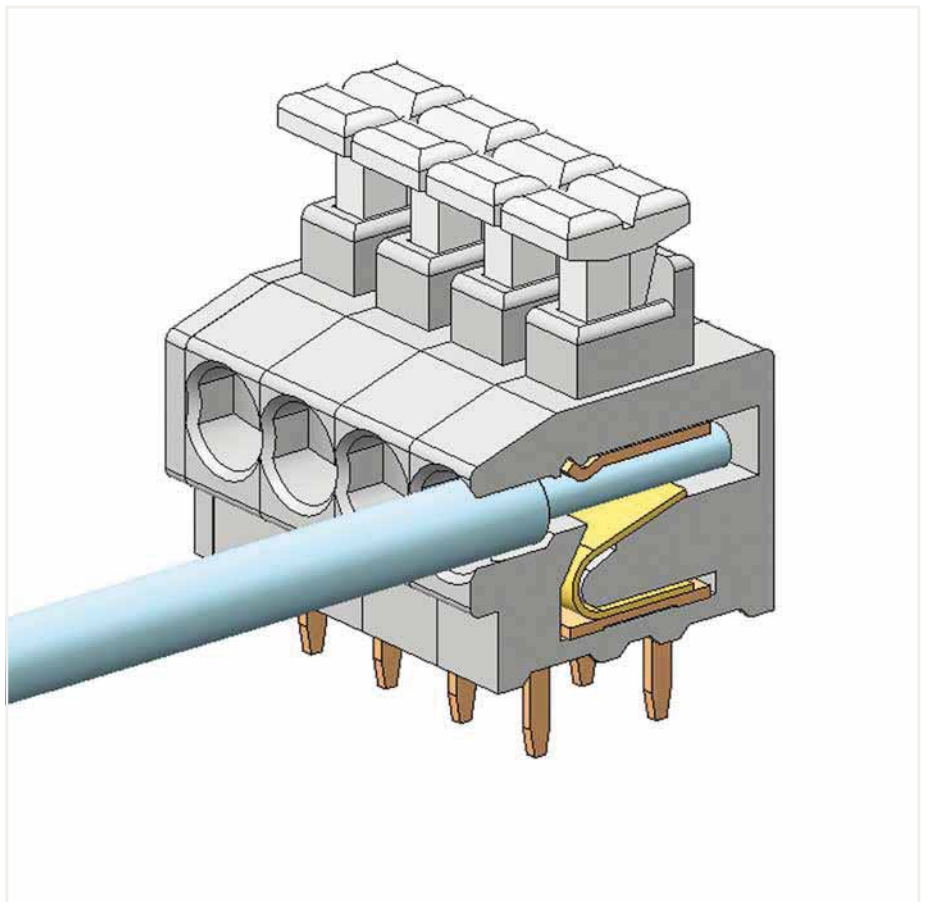
Inserting solid conductors via push-in termination.



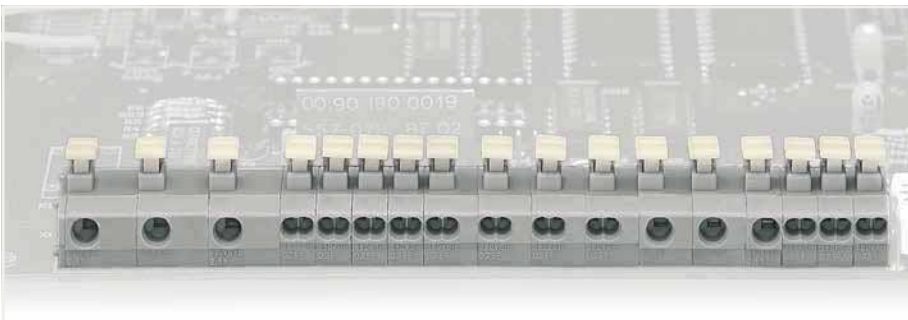
Inserting/removing fine-stranded conductors via push-button.



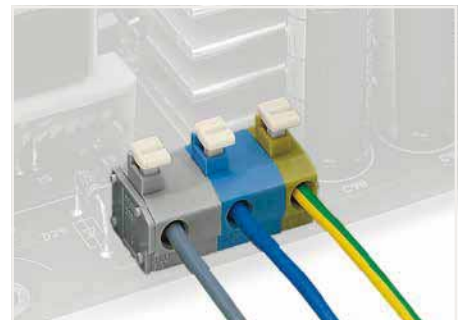
Inserting/removing fine-stranded conductors with ferrules via push-button.



235 Series



Combining 1- and 2-conductor terminal blocks with different pin spacing  
2-conductor terminal blocks, see [www.wago.com](http://www.wago.com)



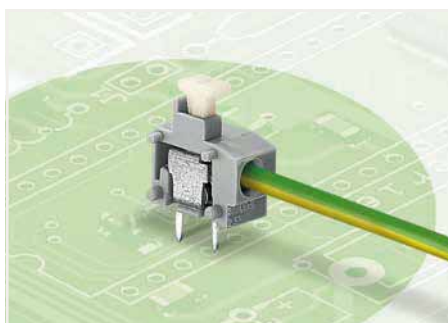
Application example: field-wiring terminal strip



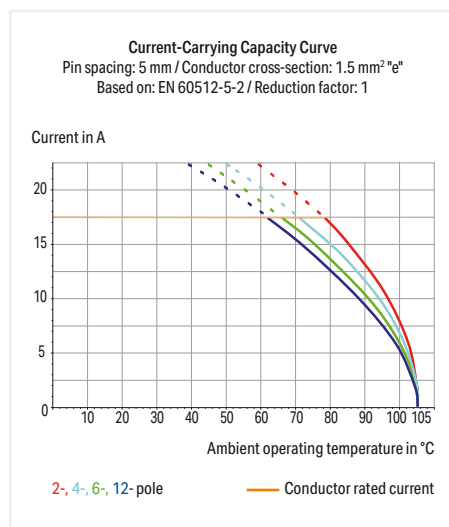
## PCB Terminal Block ▶ 235 Series

Push-in CAGE CLAMP® ▶ Actuation type: Push-button ▶ 1.5 mm<sup>2</sup> ▶ Modular terminal block

1



- Modular PCB terminal blocks with push-buttons for custom terminal strip assemblies
- Push-in terminations of solid and ferruled conductors
- Convenient termination/removal of fine-stranded conductors via push-buttons
- Set to metric or inch pin spacing by compressing terminal strips or pulling them apart

**Electrical Data**

Pin spacing	5/5.08 mm / 0.197/0.2 inch			7.5/7.62 mm / 0.295/0.3 inch			10/10.16 mm / 0.394/0.4 inch		
Ratings per	IEC/EN 60664-1			IEC/EN 60664-1			IEC/EN 60664-1		
Overtoltage category	III	III	II	III	III	II	III	III	II
Pollution degree	3	2	2	3	2	2	3	2	2
Rated voltage	250 V	320 V	630 V	400 V	630 V	1000 V	630 V	1000 V	1000 V
Rated impulse voltage	4 kV	4 kV	4 kV	6 kV	6 kV	6 kV	8 kV	8 kV	8 kV
Rated current	17.5 A	17.5 A	17.5 A	17.5 A	17.5 A	17.5 A	17.5 A	17.5 A	17.5 A

Approvals per	UL 1059			UL 1059			UL 1059		
Use Group	B	C	D	B	C	D	B	C	D
Rated voltage	300 V	-	300 V	300 V	-	300 V	300 V	-	300 V
Rated current	10 A	-	10 A	10 A	-	10 A	10 A	-	10 A

Approvals per	CSA			CSA			CSA		
Use Group	B	C	D	B	C	D	B	C	D
Rated voltage	300 V	-	-	300 V	-	-	300 V	-	-
Rated current	15 A	-	-	15 A	-	-	15 A	-	-

**Connection Data**

Connection technology	Push-in CAGE CLAMP®
Strip length	9 ... 10 mm / 0.35 ... 0.39 inch
Conductor entry angle to the PCB	0°
Solid conductor	0.2 ... 1.5 mm <sup>2</sup> / 20 ... 14 AWG
Fine-stranded conductor	0.75 ... 1.5 mm <sup>2</sup> / 20 ... 14 AWG
Fine-stranded conductor with ferrule with plastic collar	0.25 ... 1 mm <sup>2</sup>
Fine-stranded conductor with ferrule without plastic collar	0.25 ... 1 mm <sup>2</sup>

**Material Data**

Material group	I
Insulating material	Polyamide 66 (PA 66)
Flammability class per UL94	V0
Clamping spring material	Chrome nickel spring steel (CrNi)
Contact material	Electrolytic copper (Ecu)
Contact plating	Tin-plated

**Mechanical Data**

Solder pin arrangement	within the terminal block, in line
Solder pin length	3.6 mm
Solder pin dimensions	0.4 x 0.8 mm
Drilled hole diameter (tolerance)	1 <sup>(+0.1)</sup> mm

**Environmental Requirements**

Limit temperature range	-60 ... +105 °C
-------------------------	-----------------

Ferrule	Page 847
---------	----------

Marking	Page 833
---------	----------

Tools	Page 838
-------	----------

Additional information, see "Technical Section"
---

Approvals and corresponding ratings, visit <a href="http://www.wago.com">www.wago.com</a>
---

# PCB Terminal Block ▶ 235 Series

## Push-in CAGE CLAMP® ▶ Actuation type: Push-button ▶ 1.5 mm<sup>2</sup> ▶ Modular terminal block

Pin spacing: 5/5.08 mm / 0.197/0.2 inch

Pin spacing: 7.5/7.62 mm / 0.295/0.3 inch

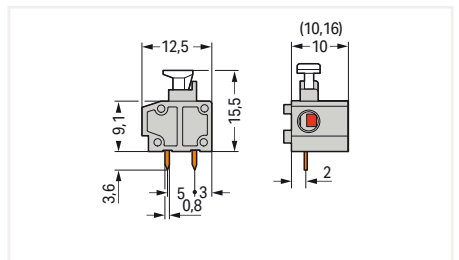
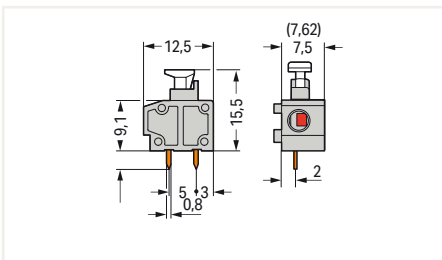
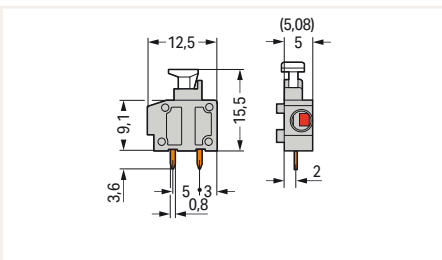
Pin spacing: 10/10.16 mm / 0.394/0.4 inch



Color	Item No.	PU (SPU)
gray	235-401/331-000	800 (100)
blue	235-744/331-000	800 (100)
orange	235-746/331-000	800 (100)
white	235-745/331-000	800 (100)
black	235-748/331-000	800 (100)
yellow	235-741/331-000	800 (100)
light gray	235-743/331-000	800 (100)
light green	235-747/331-000	800 (100)
violet	235-749/331-000	800 (100)
red	235-740/331-000	800 (100)
dark gray	235-742/331-000	800 (100)

Color	Item No.	PU (SPU)
gray	235-501/331-000	600 (100)
blue	235-754/331-000	600 (100)
orange	235-756/331-000	600 (100)
black	235-758/331-000	600 (100)
light gray	235-753/331-000	600 (100)
light green	235-757/331-000	600 (100)
dark gray	235-752/331-000	600 (100)

Color	Item No.	PU (SPU)
gray	235-801/331-000	400 (100)
blue	235-764/331-000	400 (100)
orange	235-766/331-000	400 (100)
light green	235-767/331-000	400 (100)
dark gray	235-762/331-000	400 (100)



### Accessories; for all products on this page



End plate; 1 mm; snap-on type		
Color	Item No.	PU (SPU)
gray	235-100	2000 (100)
blue	235-400	2000 (100)
orange	235-600	2000 (100)
white	235-850	2000 (100)
black	235-500	2000 (100)
yellow	235-550	2000 (100)
light gray	235-300	2000 (100)
light green	235-700	2000 (100)
violet	235-650	2000 (100)
red	235-800	2000 (100)
dark gray	235-200	2000 (100)

intermediate plate; extends pin spacing; Pin spacing: 5/5.08 mm / 0.197/0.2 inch		
Color	Item No.	PU (SPU)
gray	235-701	1000 (100)

PU = Packaging Unit; SPU = Subpackaging Unit; Dimensions in mm

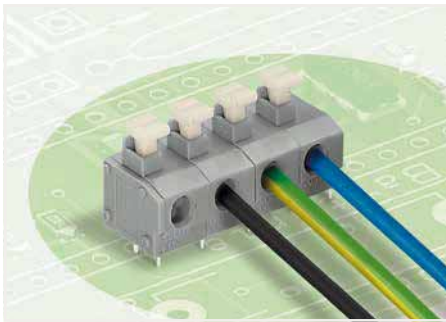
Other variants can be requested via the WAGO sales department or, if necessary, configured at <https://configurator.wago.com/>:

- Other colors
- Versions for Ex i

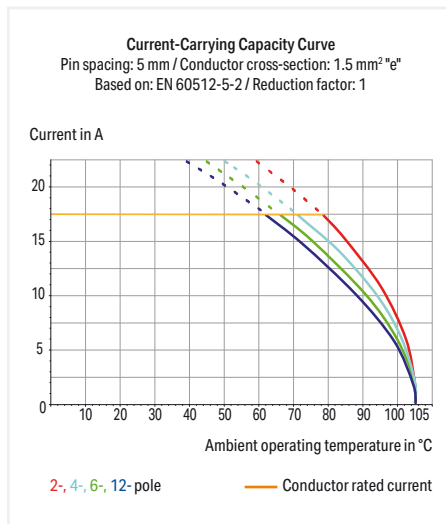
## PCB Terminal Block ▶ 235 Series

Push-in CAGE CLAMP® ▶ Actuation type: Push-button ▶ 1.5 mm<sup>2</sup> ▶ Terminal strip ▶ Pin spacing: 5/5.08 mm / 0.197/0.2 inch ▶ Color: gray

1



- PCB terminal strips with push-buttons
- Push-in terminations of solid and ferruled conductors
- Convenient termination/removal of fine-stranded conductors via push-buttons
- Set to metric or inch pin spacing by compressing terminal strips or pulling them apart



### Electrical Data

Pin spacing	5/5.08 mm / 0.197/0.2 inch		
Ratings per	IEC/EN 60664-1		
Overvoltage category	III	III	II
Pollution degree	3	2	2
Rated voltage	250 V	320 V	630 V
Rated impulse voltage	4 kV	4 kV	4 kV
Rated current	17.5 A	17.5 A	17.5 A
Approvals per	UL 1059		
Use Group	B	C	D
Rated voltage	300 V	-	300 V
Rated current	10 A	-	10 A
Approvals per	CSA		
Use Group	B	C	D
Rated voltage	300 V	-	-
Rated current	15 A	-	-

### Connection Data

Connection technology	Push-in CAGE CLAMP®
Strip length	9 ... 10 mm / 0.35 ... 0.39 inch
Conductor entry angle to the PCB	0°
Solid conductor	0.2 ... 1.5 mm <sup>2</sup> / 20 ... 14 AWG
Fine-stranded conductor	0.75 ... 1.5 mm <sup>2</sup> / 20 ... 14 AWG
Fine-stranded conductor with ferrule with plastic collar	0.25 ... 1 mm <sup>2</sup>
Fine-stranded conductor with ferrule without plastic collar	0.25 ... 1 mm <sup>2</sup>

### Material Data

Material group	I
Insulating material	Polyamide 66 (PA 66)
Flammability class per UL94	V0
Clamping spring material	Chrome nickel spring steel (CrNi)
Contact material	Electrolytic copper (Ecu)
Contact plating	Tin-plated

### Mechanical Data

Solder pin arrangement	Over the entire terminal strip, in line
Solder pin length	3.6 mm
Solder pin dimensions	0.4 x 0.8 mm
Drilled hole diameter (tolerance)	1 <sup>(±0.1)</sup> mm

### Environmental Requirements

Limit temperature range	-60 ... +105 °C
-------------------------	-----------------

Ferrule Page 847

Marking Page 833

Tools Page 838

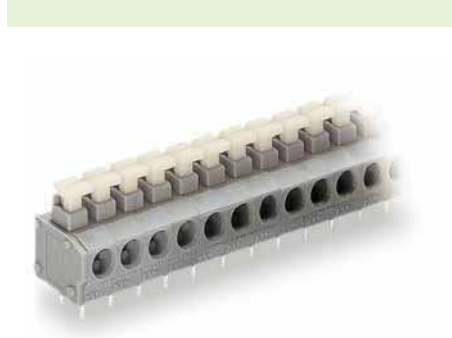
Additional information, see "Technical Section"

Approvals and corresponding ratings, visit [www.wago.com](http://www.wago.com)



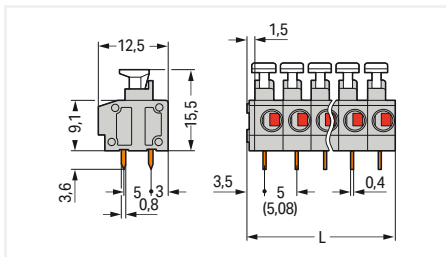
## PCB Terminal Block ▶ 235 Series

Push-in CAGE CLAMP® ▶ Actuation type: Push-button ▶ 1.5 mm<sup>2</sup> ▶ Terminal strip ▶ Pin spacing: 5/5.08 mm / 0.197/0.2 inch ▶ Color: gray



1

Pole No.	Item No.	PU (SPU)
2	235-402/331-000	420 (105)
3	235-403/331-000	280 (70)
4	235-404/331-000	220 (55)
5	235-405/331-000	180 (45)
6	235-406/331-000	140 (35)
7	235-407/331-000	120 (30)
8	235-408/331-000	100 (25)
9	235-409/331-000	100 (25)
10	235-410/331-000	80 (20)
12	235-412/331-000	60 (15)



$L = (\text{pole no.} \times \text{pin spacing}) + 1.5 \text{ mm}$

PU = Packaging Unit; SPU = Subpackaging Unit; Dimensions in mm

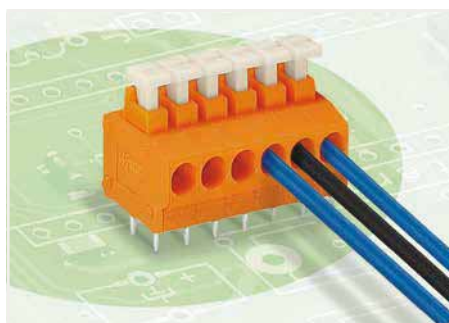
Other variants can be requested via the WAGO sales department or, if necessary, configured at <https://configurator.wago.com/>:

- Other pole numbers
- Other colors
- PCB terminal strips with 7.5/7.62 mm and 10/10.16 mm pin spacing
- Mixed-color terminal strips
- Direct marking

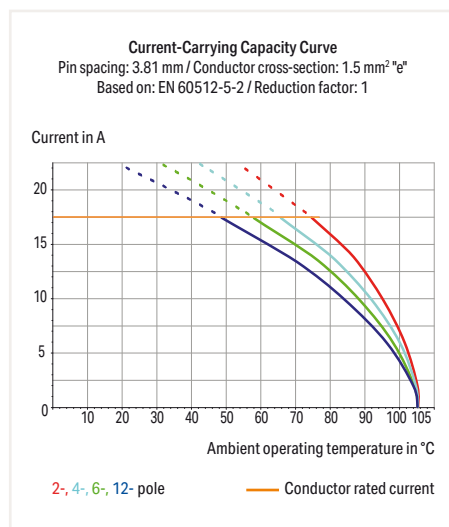
## PCB Terminal Block ▶ 235 Series

Push-in CAGE CLAMP® ▶ Actuation type: Push-button ▶ 1.5 mm<sup>2</sup> ▶ Modular Terminal Block ▶ Pin spacing: 3.81 mm (0.15 inch)

1



- Modular PCB terminal blocks with push-buttons for custom terminal strip assemblies
- Push-in terminations of solid and ferruled conductors
- Convenient termination/removal of fine-stranded conductors via push-buttons



### Electrical Data

Pin spacing	3.81 mm (0.15 inch)		
Ratings per	IEC/EN 60664-1		
Overvoltage category	III	III	II
Pollution degree	3	2	2
Rated voltage	200 V	320 V	500 V
Rated impulse voltage	4 kV	4 kV	4 kV
Rated current	17.5 A	17.5 A	17.5 A
Approvals per	UL 1059		
Use Group	B	C	D
Rated voltage	300 V	-	300 V
Rated current	10 A	-	10 A
Approvals per	CSA		
Use Group	B	C	D
Rated voltage	300 V	-	-
Rated current	10 A	-	-

### Connection Data

Connection technology	Push-in CAGE CLAMP®
Strip length	9 ... 10 mm / 0.35 ... 0.39 inch
Conductor entry angle to the PCB	0°
Solid conductor	0.5 ... 1.5 mm <sup>2</sup> / 20 ... 16 AWG
Fine-stranded conductor	0.75 ... 1.5 mm <sup>2</sup> / 20 ... 16 AWG
Fine-stranded conductor with ferrule with plastic collar	0.25 ... 1 mm <sup>2</sup>
Fine-stranded conductor with ferrule without plastic collar	0.25 ... 1 mm <sup>2</sup>

### Material Data

Material group	I
Insulating material	Polyamide 66 (PA 66)
Flammability class per UL94	V0
Clamping spring material	Chrome nickel spring steel (CrNi)
Contact material	Electrolytic copper (Ecu)
Contact plating	Tin-plated

### Mechanical Data

Solder pin arrangement	within the terminal block, in line
Solder pin length	3.6 mm
Solder pin dimensions	0.4 x 0.8 mm
Drilled hole diameter (tolerance)	1 <sup>(±0.1)</sup> mm

### Environmental Requirements

Limit temperature range	-60 ... +105 °C
-------------------------	-----------------

Ferrule Page 847

Marking Page 832

Tools Page 838

Additional information, see "Technical Section"

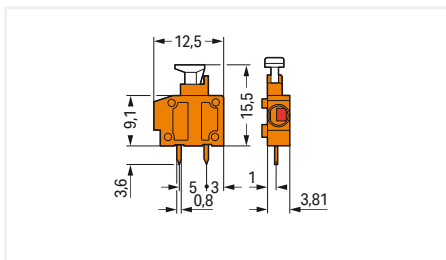
Approvals and corresponding ratings, visit [www.wago.com](http://www.wago.com)

## PCB Terminal Block ▶ 235 Series

Push-in CAGE CLAMP® ▶ Actuation type: Push-button ▶ 1.5 mm<sup>2</sup> ▶ Modular Terminal Block ▶ Pin spacing: 3.81 mm (0.15 inch)



Color	Item No.	PU (SPU)
gray	235-771	800 (100)
blue	235-774	800 (100)
orange	235-101	800 (100)
white	235-775	800 (100)
black	235-778	800 (100)
yellow	235-776	800 (100)
light green	235-777	800 (100)
red	235-770	800 (100)
dark gray	235-772	800 (100)



### Accessories; for all products on this page



End plate; 1 mm; snap-on type

Color	Item No.	PU (SPU)
gray	235-100	2000 (100)
blue	235-400	2000 (100)
orange	235-600	2000 (100)
white	235-850	2000 (100)
black	235-500	2000 (100)
yellow	235-550	2000 (100)
light green	235-700	2000 (100)
red	235-800	2000 (100)
dark gray	235-200	2000 (100)

PU = Packaging Unit; SPU = Subpackaging Unit; Dimensions in mm

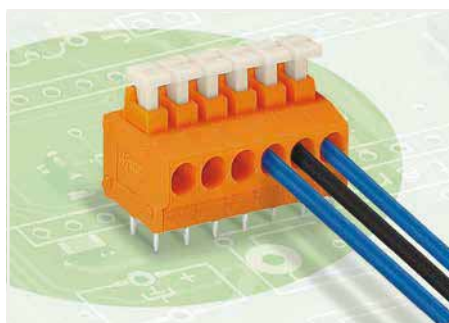
Other variants can be requested via the WAGO sales department or, if necessary, configured at <https://configurator.wago.com/>:

- Other colors

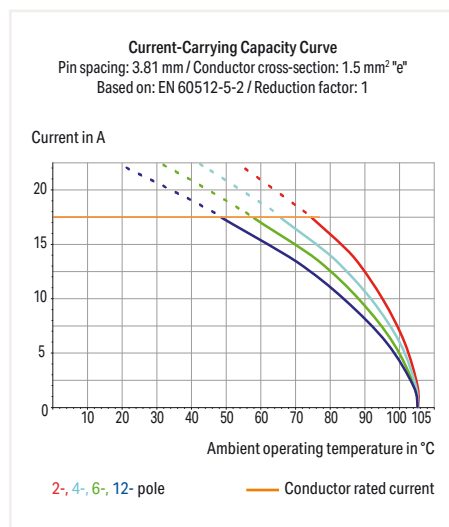
## PCB Terminal Block ▶ 235 Series

Push-in CAGE CLAMP® ▶ Actuation type: Push-button ▶ 1.5 mm<sup>2</sup> ▶ Terminal strip ▶ Pin spacing: 3.81 mm (0.15 inch) ▶ Color: orange

1



- PCB terminal strips with push-buttons
- Push-in terminations of solid and ferruled conductors
- Convenient termination/removal of fine-stranded conductors via push-buttons



### Electrical Data

Pin spacing	3.81 mm (0.15 inch)		
Ratings per	IEC/EN 60664-1		
Overvoltage category	III	III	II
Pollution degree	3	2	2
Rated voltage	200 V	320 V	500 V
Rated impulse voltage	4 kV	4 kV	4 kV
Rated current	17.5 A	17.5 A	17.5 A
Approvals per	UL 1059		
Use Group	B	C	D
Rated voltage	300 V	-	300 V
Rated current	10 A	-	10 A
Approvals per	CSA		
Use Group	B	C	D
Rated voltage	300 V	-	-
Rated current	10 A	-	-

### Connection Data

Connection technology	Push-in CAGE CLAMP®
Strip length	9 ... 10 mm / 0.35 ... 0.39 inch
Conductor entry angle to the PCB	0°
Solid conductor	0.5 ... 1.5 mm <sup>2</sup> / 20 ... 16 AWG
Fine-stranded conductor	0.75 ... 1.5 mm <sup>2</sup> / 20 ... 16 AWG
Fine-stranded conductor with ferrule with plastic collar	0.25 ... 1 mm <sup>2</sup>
Fine-stranded conductor with ferrule without plastic collar	0.25 ... 1 mm <sup>2</sup>

### Material Data

Material group	I
Insulating material	Polyamide 66 (PA 66)
Flammability class per UL94	V0
Clamping spring material	Chrome nickel spring steel (CrNi)
Contact material	Electrolytic copper (Ecu)
Contact plating	Tin-plated

### Mechanical Data

Solder pin arrangement	Over the entire terminal strip, in line
Solder pin length	3.6 mm
Solder pin dimensions	0.4 x 0.8 mm
Drilled hole diameter (tolerance)	1 <sup>(±0.1)</sup> mm

### Environmental Requirements

Limit temperature range	-60 ... +105 °C
-------------------------	-----------------

Ferrule Page 847

Marking Page 832

Tools Page 838

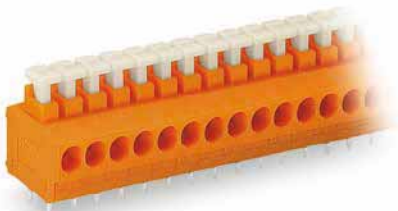
Additional information, see "Technical Section"

Approvals and corresponding ratings, visit [www.wago.com](http://www.wago.com)

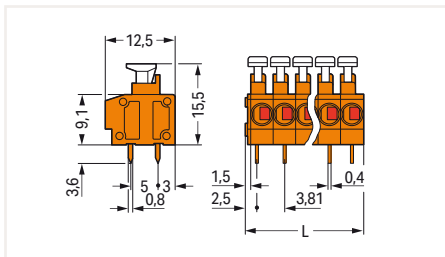
## PCB Terminal Block ▶ 235 Series

Push-in CAGE CLAMP® ▶ Actuation type: Push-button ▶ 1.5 mm<sup>2</sup> ▶ Terminal strip ▶ Pin spacing: 3.81 mm (0.15 inch) ▶ Color: orange

1



Pole No.	Item No.	PU (SPU)
2	235-102	520 (130)
3	235-103	360 (90)
4	235-104	280 (70)
5	235-105	220 (55)
6	235-106	180 (45)
7	235-107	160 (40)
8	235-108	140 (35)
9	235-109	120 (30)
10	235-110	120 (30)
12	235-112	100 (25)



$L = (\text{pole no.} \times \text{pin spacing}) + 1.5 \text{ mm}$

PU = Packaging Unit; SPU = Subpackaging Unit; Dimensions in mm

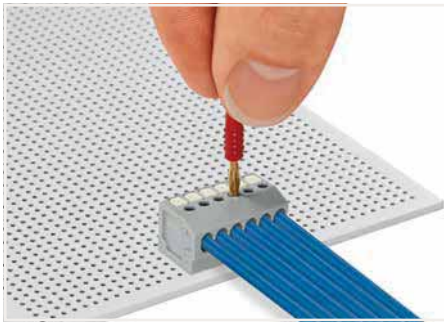
Other variants can be requested via the WAGO sales department or, if necessary, configured at <https://configurator.wago.com/>:

- Other pole numbers
- Other colors
- Mixed-color terminal strips
- Direct marking

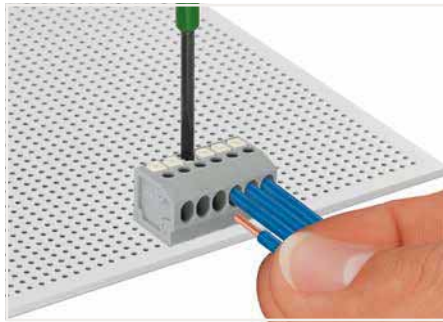
## 805 Series

### Description and Installation

1



Testing with 2 mm Ø test plug.



Terminating solid conductors by simply pushing them in. Removing conductors and inserting fine-stranded conductors via push-buttons.



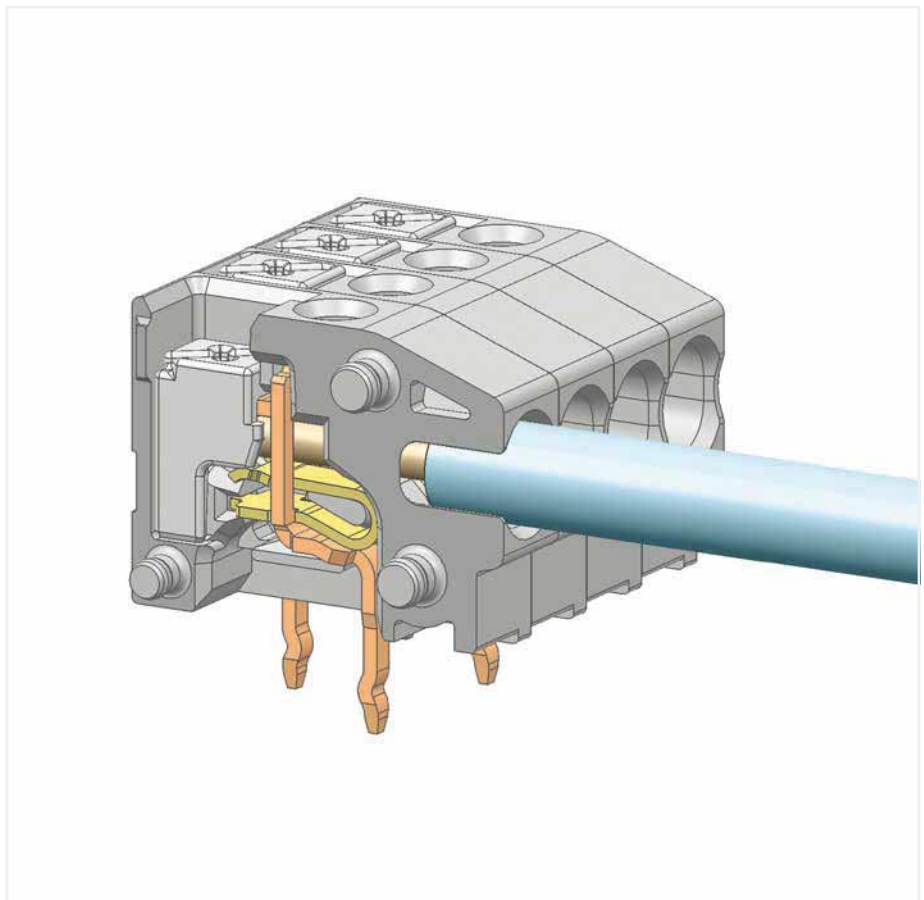
Mixed-color terminal strips are available upon request.



Terminal strips with spacers and enlarged conductor entry (5 mm pin spacing) are available upon request.



WAGO's 805 Series Terminal Strips provide "internal commoning" to meet requirements that ban routing the ground conductor over the board. This enables custom terminal strips to be commoned and marked at the factory upon request.

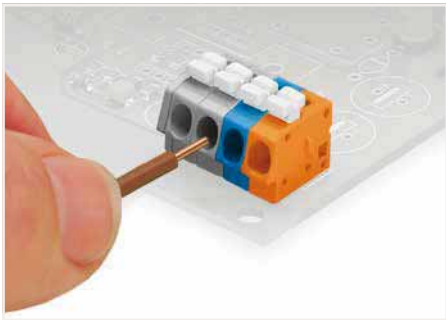


805 Series

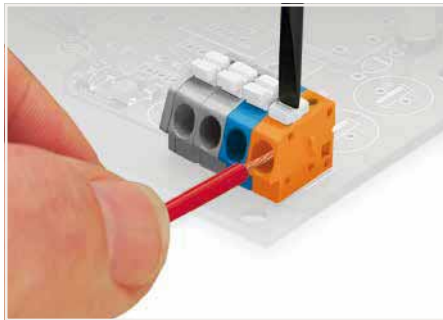
# 804 Series

## Description and Installation

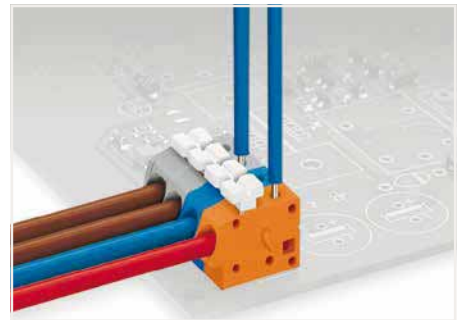
1



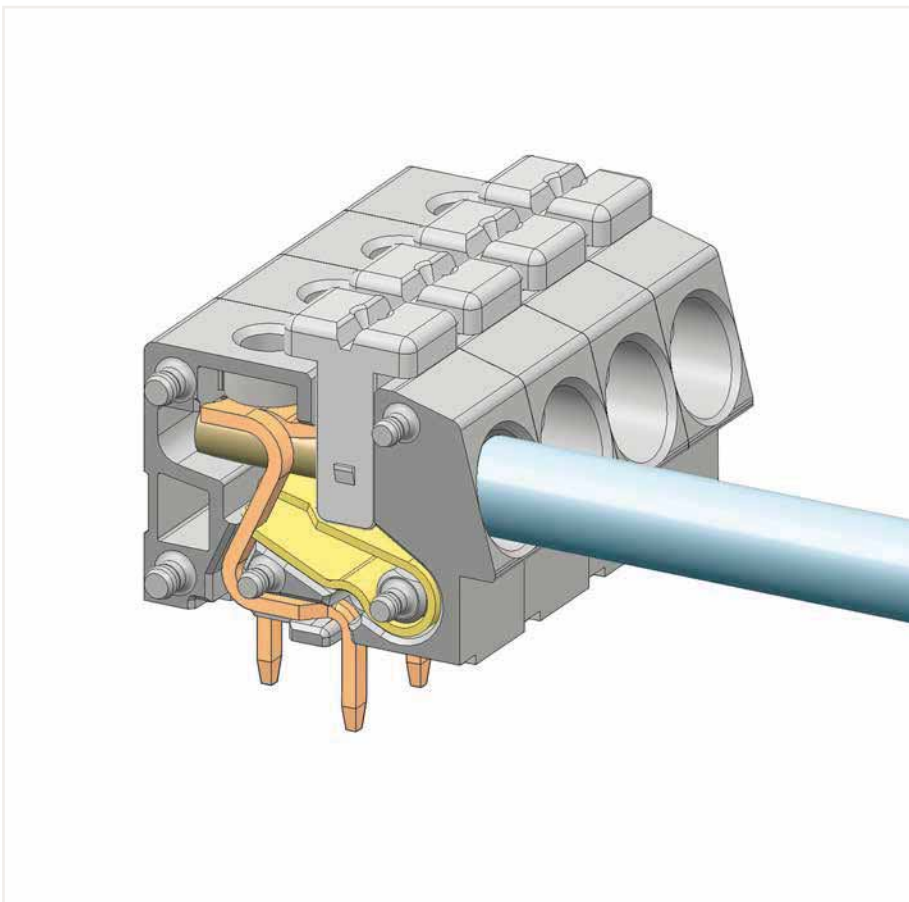
Terminating solid conductors: Simply push in stripped conductor until it hits backstop.



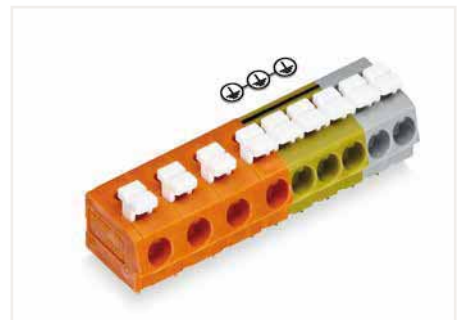
Inserting/removing fine-stranded conductors: Open the clamping unit via push-button and insert stripped conductor until it hits backstop.



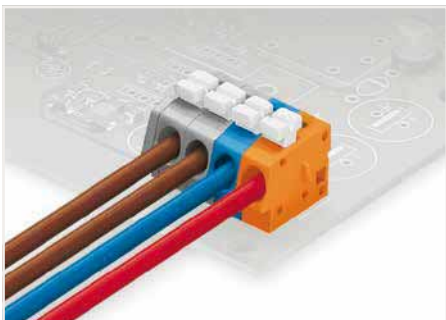
Testing with 1 mm Ø test pin – manual touch contact.



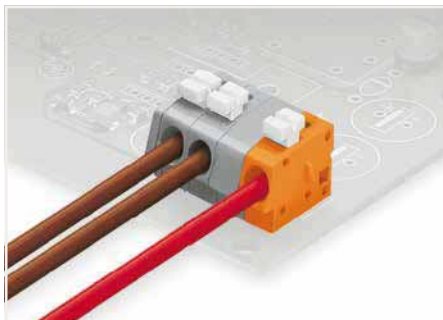
804 Series



WAGO's 804 Series Terminal Strips provide "internal commoning" to meet requirements that ban routing the ground conductor over the board. This enables custom terminal strips to be commoned and marked at the factory upon request.



Mixed-color terminal strips are available upon request.



Terminal strips with spacer are available upon request.

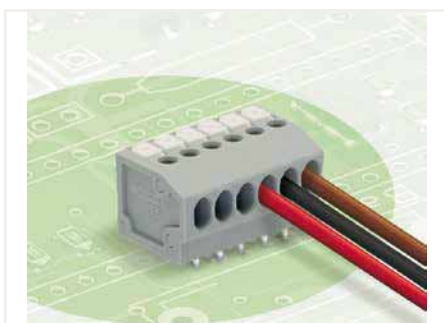


Labeling via self-adhesive marking strips or factory direct marking.

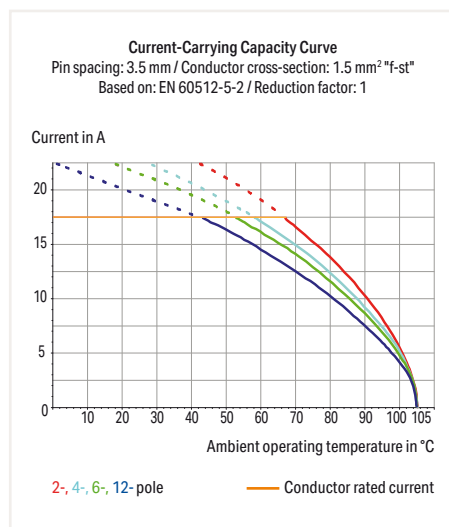
## PCB Terminal Block ▶ 805 Series

Push-in CAGE CLAMP® ▶ Actuation type: Push-button ▶ 1.5 mm<sup>2</sup> ▶ Solder pin arrangement: Over the entire terminal strip, in line ▶ Pin spacing: 3.5 mm (0.138 inch) ▶ Color: gray

1



- PCB terminal strips with push-buttons and Push-in CAGE CLAMP® connection
- Push-in termination of solid and ferruled conductors
- Flush-mount push-buttons that close with minimal force for convenient termination/removal of fine-stranded conductors
- Convenient, tool-free operation
- Versions with/without test slots and spacers
- Versions available with custom internal commoning (factory assembly), e.g., commoning ground conductor



### Electrical Data

Pin spacing	3.5 mm (0.138 inch)		
Ratings per	IEC/EN 60664-1		
Overvoltage category	III	III	II
Pollution degree	3	2	2
Rated voltage	160 V	160 V	320 V
Rated impulse voltage	2.5 kV	2.5 kV	2.5 kV
Rated current	17.5 A	17.5 A	17.5 A

### Connection Data

Connection technology	Push-in CAGE CLAMP®
Strip length	9 ... 10 mm / 0.35 ... 0.39 inch
Conductor entry angle to the PCB	0°
Solid conductor	0.2 ... 1.5 mm <sup>2</sup> / 24 ... 16 AWG
Fine-stranded conductor	0.2 ... 1.5 mm <sup>2</sup> / 24 ... 16 AWG
Fine-stranded conductor with ferrule with plastic collar	0.25 ... 1 mm <sup>2</sup>
Fine-stranded conductor with ferrule without plastic collar	0.25 ... 1 mm <sup>2</sup>

### Material Data

Material group	I
Insulating material	Polyamide 66 (PA 66)
Flammability class per UL94	V0
Clamping spring material	Chrome nickel spring steel (CrNi)
Contact material	Electrolytic copper (Ecu)
Contact plating	Tin-plated

### Mechanical Data

Solder pin arrangement	Over the entire terminal strip, in line
Solder pin length	3.2 mm
Solder pin dimensions	0.5 x 0.75 mm
Drilled hole diameter (tolerance)	1.1 <sup>(+0.1)</sup> mm

### Environmental Requirements

Limit temperature range	-60 ... +105 °C
-------------------------	-----------------

Ferrule Page 847

Marking Page 832

Testing and measuring Page 854

Tools Page 838

Additional information, see "Technical Section"

Approvals and corresponding ratings, visit [www.wago.com](http://www.wago.com)



### PCB Terminal Block ▶ 805 Series

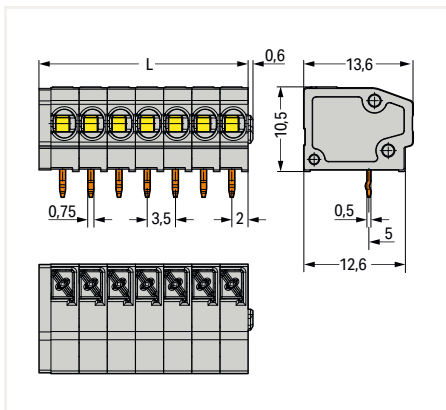
Push-in CAGE CLAMP® ▶ Actuation type: Push-button ▶ 1.5 mm<sup>2</sup> ▶ Solder pin arrangement: Over the entire terminal strip, in line ▶ Pin spacing: 3.5 mm (0.138 inch) ▶ Color: gray

Number of test slots: 1

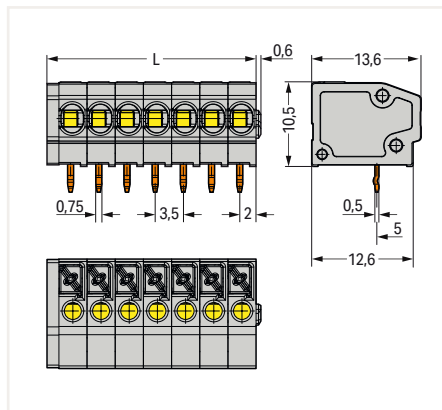
1



Pole No.	Item No.	PU (SPU)	Pole No.	Item No.	PU (SPU)
2	805-352	600 (150)	2	805-152	600 (150)
3	805-353	420 (105)	3	805-153	420 (105)
4	805-354	300 (75)	4	805-154	320 (80)
5	805-355	260 (65)	5	805-155	260 (65)
6	805-356	220 (55)	6	805-156	220 (55)
7	805-357	180 (45)	7	805-157	180 (45)
8	805-358	160 (40)	8	805-158	160 (40)
9	805-359	140 (35)	9	805-159	140 (35)
10	805-360	120 (30)	10	805-160	120 (30)
11	805-361	100 (25)	11	805-161	100 (25)
12	805-362	100 (25)	12	805-162	100 (25)
13	805-363	100 (25)	13	805-163	100 (25)
14	805-364	100 (25)	14	805-164	100 (25)
15	805-365	80 (20)	15	805-165	80 (20)
16	805-366	80 (20)	16	805-166	80 (20)
17	805-367	80 (20)	17	805-167	80 (20)
18	805-368	60 (15)	18	805-168	60 (15)
19	805-369	60 (15)	19	805-169	60 (15)
20	805-370	60 (15)	20	805-170	60 (15)
21	805-371	60 (15)	21	805-171	60 (15)
22	805-372	60 (15)	22	805-172	60 (15)
23	805-373	60 (15)	23	805-173	60 (15)
24	805-374	40 (10)	24	805-174	40 (10)



L = (pole no. x pin spacing) + 1.5 mm



L = (pole no. x pin spacing) + 1.5 mm

PU = Packaging Unit; SPU = Subpackaging Unit; Dimensions in mm

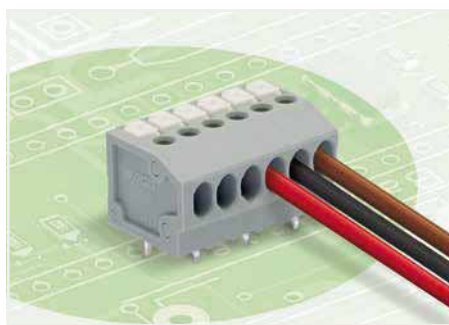
Other variants can be requested via the WAGO sales department or, if necessary, configured at <https://configurator.wago.com/>:

- Other pole numbers
- Other colors
- Mixed-color terminal strips
- Direct marking

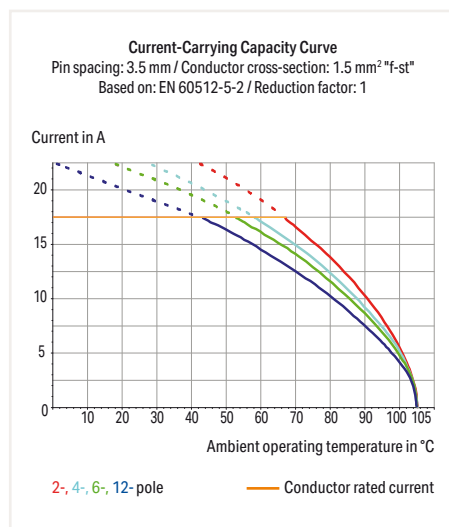
## PCB Terminal Block ▶ 805 Series

Push-in CAGE CLAMP® ▶ Actuation type: Push-button ▶ 1.5 mm<sup>2</sup> ▶ Solder pin arrangement: Over the entire terminal strip, staggered ▶ Pin spacing: 3.5 mm (0.138 inch) ▶ Color: gray

1



- PCB terminal strips with push-buttons and Push-in CAGE CLAMP® connection
- Push-in termination of solid and ferruled conductors
- Flush-mount push-buttons that close with minimal force for convenient termination/removal of fine-stranded conductors
- Convenient, tool-free operation
- Versions with/without test slots and spacers
- Versions available with custom internal commoning (factory assembly), e.g., commoning ground conductor



### Electrical Data

Pin spacing	3.5 mm (0.138 inch)		
Ratings per	IEC/EN 60664-1		
Overvoltage category	III	III	II
Pollution degree	3	2	2
Rated voltage	250 V	320 V	630 V
Rated impulse voltage	4 kV	4 kV	4 kV
Rated current	17.5 A	17.5 A	17.5 A
Approvals per	UL 1059		
Use Group	B	C	D
Rated voltage	300 V	150 V	300 V
Rated current	10 A	10 A	10 A

### Connection Data

Connection technology	Push-in CAGE CLAMP®
Strip length	9 ... 10 mm / 0.35 ... 0.39 inch
Conductor entry angle to the PCB	0°
Solid conductor	0.2 ... 1.5 mm <sup>2</sup> / 24 ... 16 AWG
Fine-stranded conductor	0.2 ... 1.5 mm <sup>2</sup> / 24 ... 16 AWG
Fine-stranded conductor with ferrule with plastic collar	0.25 ... 1 mm <sup>2</sup>
Fine-stranded conductor with ferrule without plastic collar	0.25 ... 1 mm <sup>2</sup>

### Material Data

Material group	I
Insulating material	Polyamide 66 (PA 66)
Flammability class per UL94	V0
Clamping spring material	Chrome nickel spring steel (CrNi)
Contact material	Electrolytic copper (Ecu)
Contact plating	Tin-plated

### Mechanical Data

Solder pin arrangement	Over the entire terminal strip, staggered
Solder pin length	3.2 mm
Solder pin dimensions	0.5 x 0.75 mm
Drilled hole diameter (tolerance)	1.1 <sup>(+0.1)</sup> mm

### Environmental Requirements

Limit temperature range	-60 ... +105 °C
-------------------------	-----------------

Ferrule Page 847

Marking Page 832

Testing and measuring Page 854

Tools Page 838

Additional information, see "Technical Section"

Approvals and corresponding ratings, visit [www.wago.com](http://www.wago.com)

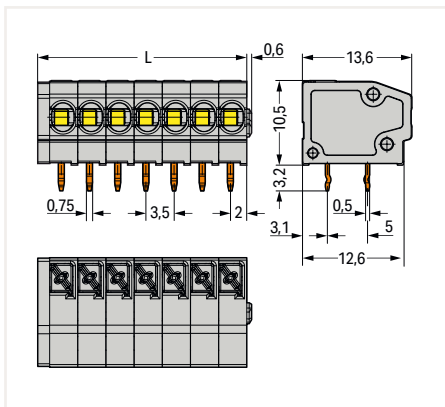
## PCB Terminal Block ▶ 805 Series

Push-in CAGE CLAMP® ▶ Actuation type: Push-button ▶ 1.5 mm<sup>2</sup> ▶ Solder pin arrangement: Over the entire terminal strip, staggered ▶ Pin spacing: 3.5 mm (0.138 inch) ▶ Color: gray

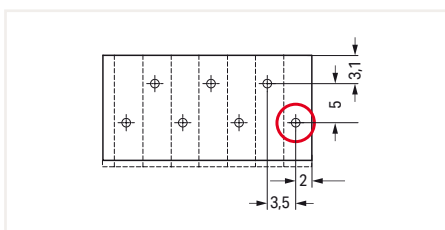


1

Pole No.	Item No.	PU (SPU)	Pole No.	Item No.	PU (SPU)
2	805-302	580 (145)	14	805-314	100 (25)
3	805-303	420 (105)	15	805-315	80 (20)
4	805-304	320 (80)	16	805-316	80 (20)
5	805-305	260 (65)	17	805-317	80 (20)
6	805-306	220 (55)	18	805-318	60 (15)
7	805-307	180 (45)	19	805-319	60 (15)
8	805-308	160 (40)	20	805-320	60 (15)
9	805-309	140 (35)	21	805-321	60 (15)
10	805-310	120 (30)	22	805-322	60 (15)
11	805-311	100 (25)	23	805-323	60 (15)
12	805-312	100 (25)	24	805-324	40 (10)
13	805-313	100 (25)			



$L = (\text{pole no.} \times \text{pin spacing}) + 1.5 \text{ mm}$



First solder pin, front right (red circle)

PU = Packaging Unit; SPU = Subpackaging Unit; Dimensions in mm

Other variants can be requested via the WAGO sales department or, if necessary, configured at <https://configurator.wago.com/>:

- Other pole numbers
- Other colors
- Mixed-color terminal strips
- Direct marking

## PCB Terminal Block ▶ 805 Series

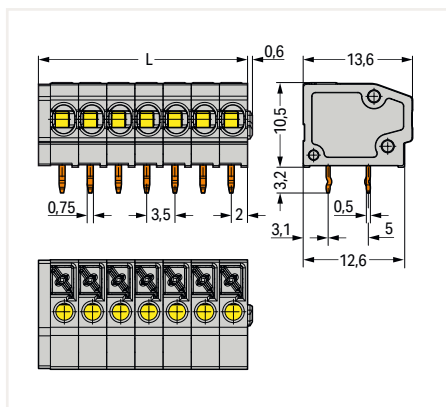
Push-in CAGE CLAMP® ▶ Actuation type: Push-button ▶ 1.5 mm<sup>2</sup> ▶ Solder pin arrangement: Over the entire terminal strip, staggered ▶ Pin spacing: 3.5 mm (0.138 inch) ▶ Color: gray

Number of test slots: 1

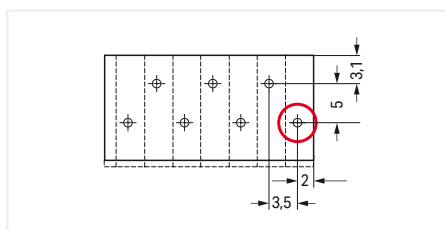
1



Pole No.	Item No.	PU (SPU)	Pole No.	Item No.	PU (SPU)
2	805-102	580 (145)	14	805-114	100 (25)
3	805-103	420 (105)	15	805-115	80 (20)
4	805-104	320 (80)	16	805-116	80 (20)
5	805-105	260 (65)	17	805-117	80 (20)
6	805-106	220 (55)	18	805-118	60 (15)
7	805-107	180 (45)	19	805-119	60 (15)
8	805-108	160 (40)	20	805-120	60 (15)
9	805-109	140 (35)	21	805-121	60 (15)
10	805-110	120 (30)	22	805-122	60 (15)
11	805-111	100 (25)	23	805-123	60 (15)
12	805-112	100 (25)	24	805-124	40 (10)
13	805-113	100 (25)			



$L = (\text{pole no.} \times \text{pin spacing}) + 1.5 \text{ mm}$



First solder pin, front right (red circle)

PU = Packaging Unit; SPU = Subpackaging Unit; Dimensions in mm

Other variants can be requested via the WAGO sales department or, if necessary, configured at <https://configurator.wago.com/>:

- Other pole numbers
- Other colors
- Mixed-color terminal strips
- Direct marking



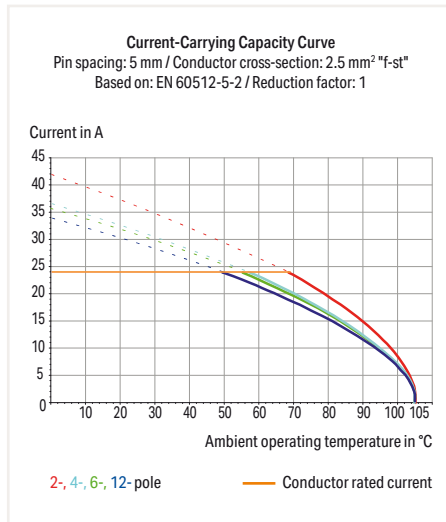
## PCB Terminal Block ▶ 804 Series

Push-in CAGE CLAMP® ▶ 2.5 mm<sup>2</sup> ▶ Actuation type: Push-button ▶ Color: gray

1



- PCB terminal strips with Push-in CAGE CLAMP® connection and push-button actuation
- Push-in termination of solid and ferruled, fine-stranded conductors
- A large conductor entry accommodates conductors with a cross-section up to 12 AWG with an insulation diameter up to 4.2 mm
- Terminal strips with spacers to increase pin spacing
- Versions available with custom internal commoning (factory assembly), e.g., commoning ground conductor



## Electrical Data

Pin spacing	5 mm (0.197 inch)			7.5 mm (0.295 inch)		
Ratings per	IEC/EN 60664-1					
Overvoltage category	III	III	II	III	III	II
Pollution degree	3	2	2	3	2	2
Rated voltage	250 V	320 V	630 V	320 V	320 V	630 V
Rated impulse voltage	4 kV	4 kV	4 kV	4 kV	4 kV	4 kV
Rated current	24 A	24 A	24 A	24 A	24 A	24 A
Approvals per	UL 1059			UL 1059		
Use Group	B	C	D	B	C	D
Rated voltage	300 V	-	300 V	300 V	-	300 V
Rated current	10 A	-	10 A	10 A	-	10 A
Approvals per	CSA			CSA		
Use Group	B	C	D	B	C	D
Rated voltage	300 V	-	300 V	300 V	-	300 V
Rated current	10 A	-	10 A	10 A	-	10 A

## Connection Data

Connection technology	Push-in CAGE CLAMP®
Strip length	10 ... 11 mm / 0.39 ... 0.43 inch
Conductor entry angle to the PCB	0°
Solid conductor	0.25 ... 2.5 mm <sup>2</sup> / 20 ... 12 AWG
Fine-stranded conductor	0.25 ... 2.5 mm <sup>2</sup> / 22 ... 12 AWG
Fine-stranded conductor with ferrule with plastic collar	0.25 ... 1.5 mm <sup>2</sup>
Fine-stranded conductor with ferrule without plastic collar	0.25 ... 2.5 mm <sup>2</sup>

## Material Data

Material group	I
Insulating material	Polyamide 66 (PA 66)
Flammability class per UL94	V0
Clamping spring material	Chrome nickel spring steel (CrNi)
Contact material	Electrolytic copper (Ecu)
Contact plating	Tin-plated

## Mechanical Data

Solder pin arrangement	Over the entire terminal strip, staggered
Solder pin length	3.6 mm
Solder pin dimensions	0.8 x 0.6 mm
Drilled hole diameter (tolerance)	1.1 <sup>(+0.1)</sup> mm

## Environmental Requirements

Limit temperature range	-60 ... +105 °C
-------------------------	-----------------

Ferrule Page 847

Marking Page 833

Tools Page 838

Additional information, see "Technical Section"

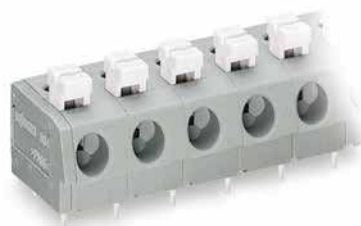
Approvals and corresponding ratings, visit [www.wago.com](http://www.wago.com)

# PCB Terminal Block ▶ 804 Series

## Push-in CAGE CLAMP® ▶ 2.5 mm<sup>2</sup> ▶ Actuation type: Push-button ▶ Color: gray

Pin spacing: 5 mm (0.197 inch)

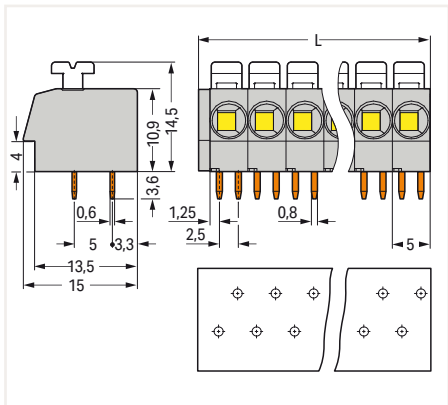
Pin spacing: 7.5 mm (0.295 inch)



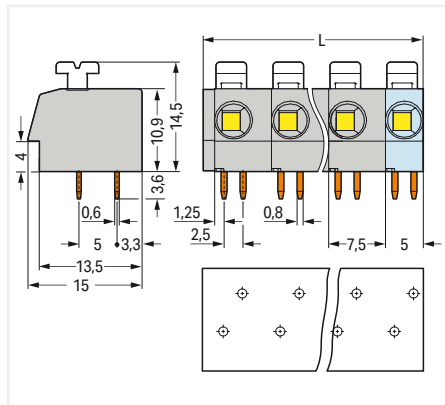
1

Pole No.	Item No.	PU (SPU)
2	804-102	420 (105)
3	804-103	300 (75)
4	804-104	220 (55)
5	804-105	180 (45)
6	804-106	140 (35)
7	804-107	120 (30)
8	804-108	120 (30)
9	804-109	100 (25)
10	804-110	80 (20)
11	804-111	80 (20)
12	804-112	80 (20)
13	804-113	60 (15)
14	804-114	60 (15)
15	804-115	60 (15)
16	804-116	60 (15)

Pole No.	Item No.	PU (SPU)
2	804-302	340 (85)
3	804-303	220 (55)
4	804-304	160 (40)
5	804-305	120 (30)
6	804-306	100 (25)
7	804-307	80 (20)
8	804-308	80 (20)
9	804-309	60 (15)
10	804-310	60 (15)
11	804-311	60 (15)
12	804-312	40 (10)



$L = (\text{pole no.} \times \text{pin spacing}) + 1.5 \text{ mm}$



$L = (\text{pole no.} - 1) \times \text{pin spacing} + 5 \text{ mm} + 1.5 \text{ mm}$

PU = Packaging Unit; SPU = Subpackaging Unit; Dimensions in mm

Other variants can be requested via the WAGO sales department or, if necessary, configured at <https://configurator.wago.com/>:

- Other pole numbers
- Other colors
- Mixed-color terminal strips
- 10 mm pin spacing version with spacers
- Direct marking
- Versions for Ex i

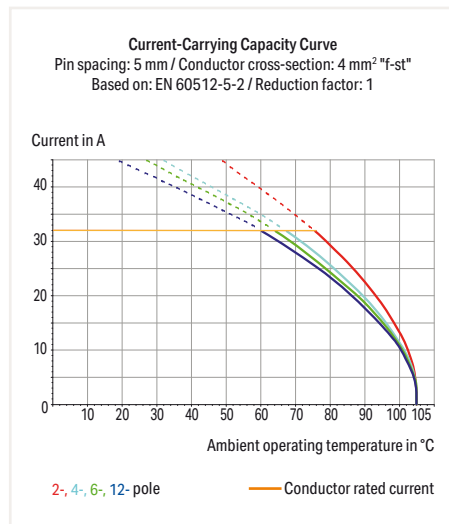
## PCB Terminal Block ▶ 2604 Series

Push-in CAGE CLAMP® ▶ Actuation type: Lever ▶ 4 mm<sup>2</sup> ▶ Modular Terminal Block ▶ Pin spacing: 5 mm (0.197 inch) ▶ Color: gray

1



- PCB terminal blocks with lever-actuated Push-in CAGE CLAMP® connection
- Push-in termination of solid and ferruled conductors
- Intuitive and tool-free operation
- Several clamping units can be held open simultaneously – convenient for terminating multi-core cables
- Testing can be performed both parallel and perpendicular to conductor entry



### Electrical Data

Pin spacing	5 mm (0.197 inch)		
Ratings per	IEC/EN 60664-1		
Overvoltage category	III	III	II
Pollution degree	3	2	2
Rated voltage	320 V	400 V	630 V
Rated impulse voltage	4 kV	4 kV	4 kV
Rated current	32 A	32 A	32 A
Approvals per	UL 1059		
Use Group	B	C	D
Rated voltage	300 V	-	300 V
Rated current	20 A	-	10 A

### Connection Data

Connection technology	Push-in CAGE CLAMP®
Strip length	9 ... 11 mm / 0.35 ... 0.43 inch
Solid conductor	0.2 ... 4 mm <sup>2</sup> / 24 ... 12 AWG
Fine-stranded conductor	0.2 ... 4 mm <sup>2</sup> / 24 ... 12 AWG
Fine-stranded conductor with ferrule with plastic collar	0.25 ... 2.5 mm <sup>2</sup>
Fine-stranded conductor with ferrule without plastic collar	0.25 ... 2.5 mm <sup>2</sup>
Fine-stranded conductor, with twin ferrule	0.25 ... 1.5 mm <sup>2</sup>

### Material Data

Material group	I
Insulating material	Polyamide 66 (PA 66)
Flammability class per UL94	V0
Clamping spring material	Chrome nickel spring steel (CrNi)
Contact material	Electrolytic copper (Ecu)
Contact plating	Tin-plated

### Mechanical Data

Solder pin arrangement	within the terminal block, in line
Solder pin length	4 mm
Solder pin dimensions	0.8 x 1 mm
Drilled hole diameter (tolerance)	1.3 <sup>(+0.1)</sup> mm

### Environmental Requirements

Limit temperature range	-60 ... +105 °C
-------------------------	-----------------

Ferrule Page 847

Additional information, see "Technical Section"

Approvals and corresponding ratings, visit [www.wago.com](http://www.wago.com)



### PCB Terminal Block ▶ 2604 Series

Push-in CAGE CLAMP® ▶ Actuation type: Lever ▶ 4 mm<sup>2</sup> ▶ Modular Terminal Block ▶ Pin spacing: 5 mm (0.197 inch) ▶ Color: gray

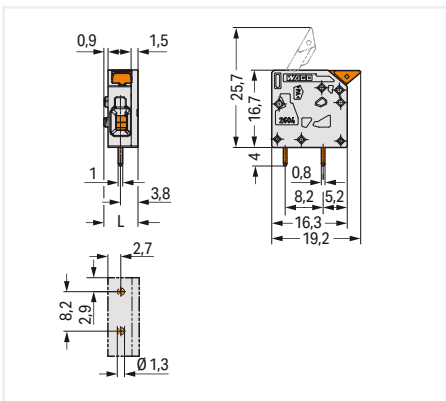
Conductor entry angle to the PCB: 0°

Conductor entry angle to the PCB: 90°

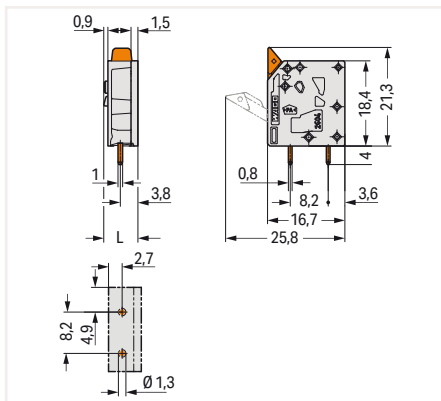


Color	Item No.	PU
● gray	2604-1101	300

Color	Item No.	PU
● gray	2604-3101	250



L = 7,4 mm



L = 7,4 mm

PU = Packaging Unit; SPU = Subpackaging Unit; Dimensions in mm

Other variants can be requested via the WAGO sales department or, if necessary, configured at <https://configurator.wago.com/>:

- Other pole numbers
- Direct marking
- Other colors

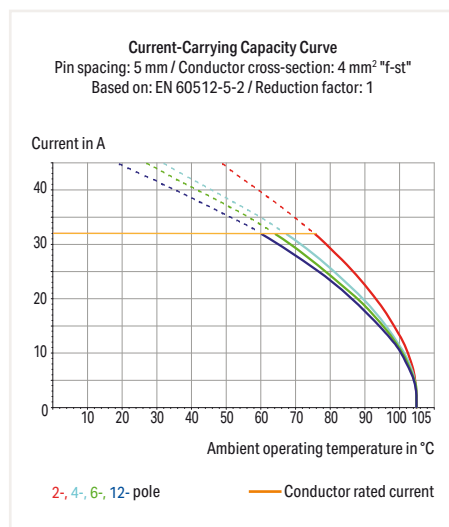
## PCB Terminal Block ▶ 2604 Series

Push-in CAGE CLAMP® ▶ Actuation type: Lever ▶ 4 mm<sup>2</sup> ▶ Terminal strip ▶ Color: gray

1



- PCB terminal blocks with lever-actuated Push-in CAGE CLAMP® connection
- Push-in termination of solid and ferruled conductors
- Intuitive and tool-free operation
- Several clamping units can be held open simultaneously – convenient for terminating multi-core cables
- Testing can be performed both parallel and perpendicular to conductor entry

**Electrical Data**

Pin spacing	5 mm (0.197 inch)			7.5 mm (0.295 inch)			11.5 mm (0.453 inch)		
Ratings per	IEC/EN 60664-1			IEC/EN 60664-1			IEC/EN 60664-1		
Overvoltage category	III	III	II	III	III	II	III	III	II
Pollution degree	3	2	2	3	2	2	3	2	2
Rated voltage	320 V	400 V	630 V	630 V	630 V	1000 V	1000 V	1000 V	1000 V
Rated impulse voltage	4 kV	4 kV	4 kV	6 kV	6 kV	6 kV	8 kV	8 kV	8 kV
Rated current	32 A	32 A	32 A	32 A	32 A	32 A	32 A	32 A	32 A
Approvals per	UL 1059			UL 1059			UL 1059		
Use Group	B	C	D	B	C	D	B	C	D
Rated voltage	300 V	-	300 V	300 V	300 V	600 V	600 V	600 V	-
Rated current	20 A	-	10 A	20 A	20 A	5 A	20 A	20 A	-

**Connection Data**

Connection technology	Push-in CAGE CLAMP®
Strip length	9 ... 11 mm / 0.35 ... 0.43 inch
Solid conductor	0.2 ... 4 mm <sup>2</sup> / 24 ... 12 AWG
Fine-stranded conductor	0.2 ... 4 mm <sup>2</sup> / 24 ... 12 AWG
Fine-stranded conductor with ferrule with plastic collar	0.25 ... 2.5 mm <sup>2</sup>
Fine-stranded conductor with ferrule without plastic collar	0.25 ... 2.5 mm <sup>2</sup>
Fine-stranded conductor, with twin ferrule	0.25 ... 1.5 mm <sup>2</sup>

**Material Data**

Material group	I
Insulating material	Polyamide 66 (PA 66)
Flammability class per UL94	V0
Clamping spring material	Chrome nickel spring steel (CrNi)
Contact material	Electrolytic copper (Ecu)
Contact plating	Tin-plated

**Mechanical Data**

Solder pin arrangement	Over the entire terminal strip, in line
Solder pin length	4 mm
Solder pin dimensions	0.8 x 1 mm
Drilled hole diameter (tolerance)	1.3 <sup>(+0.1)</sup> mm

**Environmental Requirements**

Limit temperature range	-60 ... +105 °C
-------------------------	-----------------

Ferrule Page 847

Additional information, see "Technical Section"

Approvals and corresponding ratings, visit [www.wago.com](http://www.wago.com)

# PCB Terminal Block ▶ 2604 Series

## Push-in CAGE CLAMP® ▶ Actuation type: Lever ▶ 4 mm<sup>2</sup> ▶ Terminal strip ▶ Color: gray

Conductor entry angle to the PCB: 0° ▶ Pin spacing: 5 mm (0.197 inch)

Conductor entry angle to the PCB: 0° ▶ Pin spacing: 7.5 mm (0.295 inch)

Conductor entry angle to the PCB: 0° ▶ Pin spacing: 11.5 mm (0.453 inch)

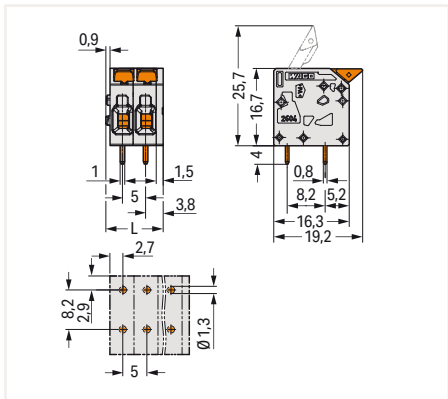


1

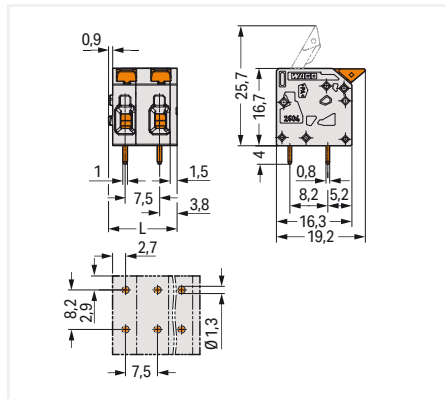
Pole No.	Item No.	PU
2	2604-1102	200
3	2604-1103	130
4	2604-1104	100
5	2604-1105	80
6	2604-1106	60
7	2604-1107	60
8	2604-1108	50
9	2604-1109	40
10	2604-1110	40
11	2604-1111	30
12	2604-1112	30

Pole No.	Item No.	PU
2	2604-1302	150
3	2604-1303	100
4	2604-1304	70
5	2604-1305	60
6	2604-1306	45
7	2604-1307	40
8	2604-1308	35
9	2604-1309	30
10	2604-1310	25
11	2604-1311	25
12	2604-1312	25

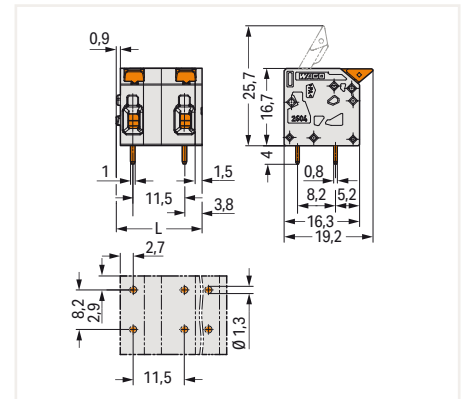
Pole No.	Item No.	PU
2	2604-1502	130
3	2604-1503	70
4	2604-1504	50
5	2604-1505	40
6	2604-1506	30
7	2604-1507	25
8	2604-1508	25
9	2604-1509	25
10	2604-1510	20
11	2604-1511	20
12	2604-1512	15



L = (pole no. - 1) x pin spacing + 7.4 mm



L = (pole no. - 1) x pin spacing + 7.4 mm



L = (pole no. - 1) x pin spacing + 7.4 mm

PU = Packaging Unit; SPU = Subpackaging Unit; Dimensions in mm

Other variants can be requested via the WAGO sales department or, if necessary, configured at <https://configurator.wago.com/>:

- Other pole numbers
- Direct marking
- Other colors

# PCB Terminal Block ▶ 2604 Series

## Push-in CAGE CLAMP® ▶ Actuation type: Lever ▶ 4 mm<sup>2</sup> ▶ Terminal strip ▶ Color: gray

Conductor entry angle to the PCB: 90° ▶ Pin spacing: 5 mm (0.197 inch)

Conductor entry angle to the PCB: 90° ▶ Pin spacing: 7.5 mm (0.295 inch)

Conductor entry angle to the PCB: 90° ▶ Pin spacing: 11.5 mm (0.453 inch)

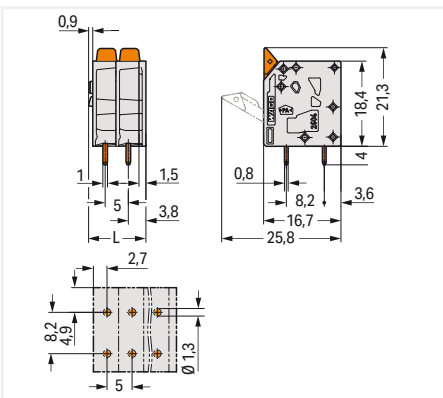
1



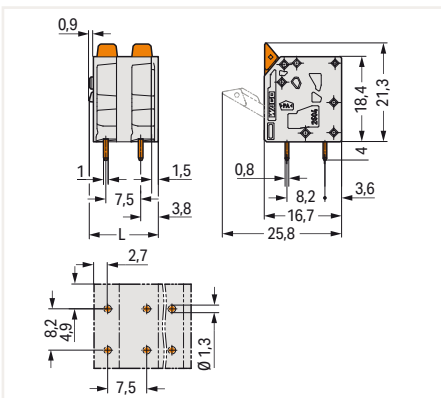
Pole No.	Item No.	PU
2	2604-3102	180
3	2604-3103	120
4	2604-3104	90
5	2604-3105	70
6	2604-3106	50
7	2604-3107	50
8	2604-3108	40
9	2604-3109	40
10	2604-3110	30
11	2604-3111	30
12	2604-3112	30

Pole No.	Item No.	PU
2	2604-3302	150
3	2604-3303	100
4	2604-3304	70
5	2604-3305	50
6	2604-3306	45
7	2604-3307	40
8	2604-3308	30
9	2604-3309	30
10	2604-3310	25
11	2604-3311	25
12	2604-3312	25

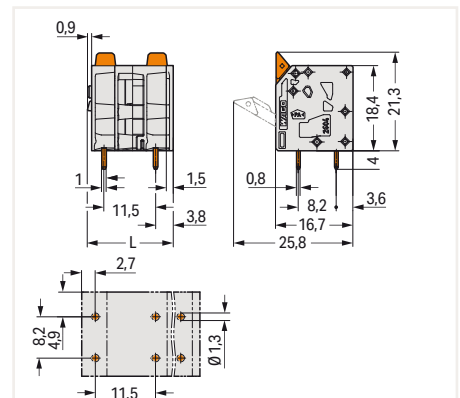
Pole No.	Item No.	PU
2	2604-3502	120
3	2604-3503	70
4	2604-3504	50
5	2604-3505	40
6	2604-3506	30
7	2604-3507	25
8	2604-3508	25
9	2604-3509	25
10	2604-3510	20
11	2604-3511	20
12	2604-3512	15



L = (pole no. - 1) x pin spacing + 7.4 mm



L = (pole no. - 1) x pin spacing + 7.4 mm



L = (pole no. - 1) x pin spacing + 7.4 mm

PU = Packaging Unit; SPU = Subpackaging Unit; Dimensions in mm

Other variants can be requested via the WAGO sales department or, if necessary, configured at <https://configurator.wago.com/>:

- Other pole numbers
- Direct marking
- Other colors



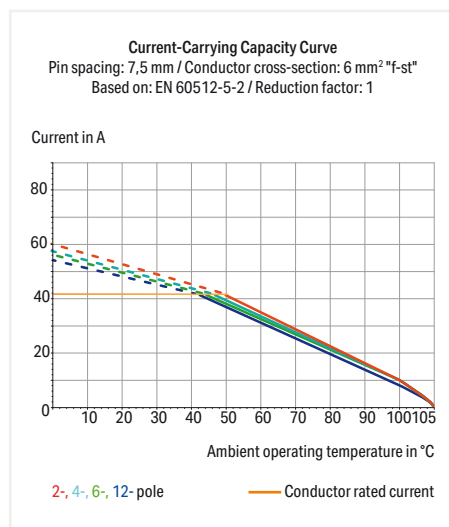
## PCB Terminal Block ▶ 2606 Series

Push-in CAGE CLAMP® ▶ Actuation type: Lever ▶ 10 mm<sup>2</sup> ▶ Modular Terminal Block ▶ Pin spacing: 7.5 mm (0.295 inch) ▶ Color: gray

1



- PCB terminal blocks with lever-actuated Push-in CAGE CLAMP® connection
- Push-in termination of solid and ferruled conductors
- Intuitive and tool-free operation
- Several clamping units can be held open simultaneously – convenient for terminating multi-core cables
- Testing can be performed both parallel and perpendicular to conductor entry



Electrical Data			
Pin spacing	7.5 mm (0.295 inch)		
Ratings per	IEC/EN 60664-1		
Overvoltage category	III	III	II
Pollution degree	3	2	2
Rated voltage	800 V	1000 V	1000 V
Rated impulse voltage	8 kV	8 kV	8 kV
Rated current	41 A	41 A	41 A
Approvals per	UL 1059		
Use Group	B	C	D
Rated voltage	600 V	600 V	-
Rated current	31 A	31 A	-

Connection Data	
Connection technology	Push-in CAGE CLAMP®
Strip length	11 ... 13 mm / 0.43 ... 0.51 inch
Solid conductor	0.2 ... 10 mm <sup>2</sup> / 24 ... 8 AWG
Fine-stranded conductor	0.2 ... 10 mm <sup>2</sup> / 24 ... 8 AWG
Fine-stranded conductor with ferrule with plastic collar	0.25 ... 6 mm <sup>2</sup>
Fine-stranded conductor with ferrule without plastic collar	0.25 ... 6 mm <sup>2</sup>
Fine-stranded conductor, with twin ferrule	0.25 ... 2.5 mm <sup>2</sup>

Material Data	
Material group	I
Insulating material	Polyamide 66 (PA 66)
Flammability class per UL94	V0
Clamping spring material	Chrome nickel spring steel (CrNi)
Contact material	Electrolytic copper (Ecu)
Contact plating	Tin-plated

Mechanical Data	
Solder pin arrangement	within the terminal block, in line
Solder pin length	4 mm
Solder pin dimensions	1.5 x 1.2 mm
Drilled hole diameter (tolerance)	2 <sup>(+0.1)</sup> mm

Environmental Requirements	
Limit temperature range	-60 ... +105 °C

Ferrule Page 847

Additional information, see "Technical Section"

Approvals and corresponding ratings, visit [www.wago.com](http://www.wago.com)

### PCB Terminal Block ▶ 2606 Series

Push-in CAGE CLAMP® ▶ Actuation type: Lever ▶ 10 mm<sup>2</sup> ▶ Modular Terminal Block ▶ Pin spacing: 7.5 mm (0.295 inch) ▶ Color: gray

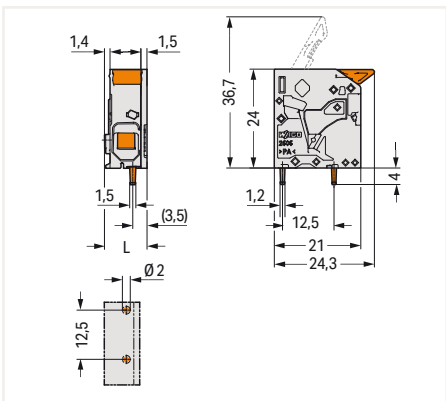
Conductor entry angle to the PCB: 0°

Conductor entry angle to the PCB: 90°

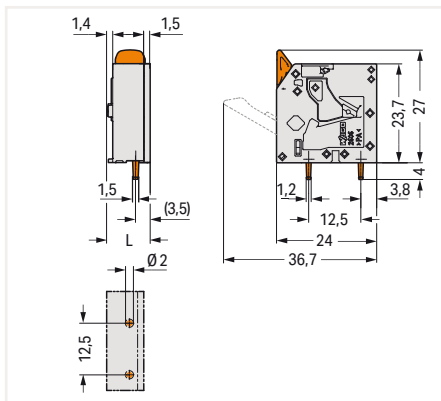


Color	Item No.	PU
● gray	2606-1101	200

Color	Item No.	PU
● gray	2606-3101	200



L = 10.35 mm



L = 10.35 mm

PU = Packaging Unit; SPU = Subpackaging Unit; Dimensions in mm

Other variants can be requested via the WAGO sales department or, if necessary, configured at <https://configurator.wago.com/>:

- Other pole numbers
- Direct marking
- Other colors

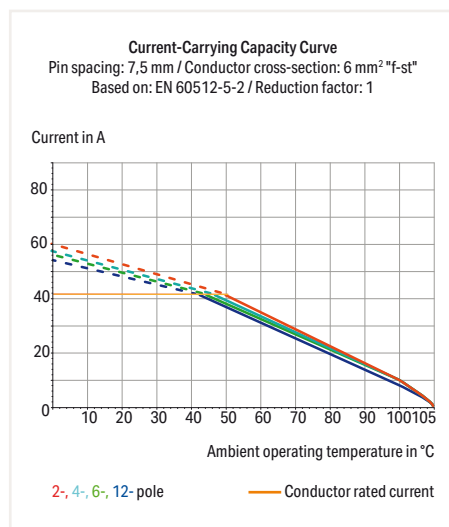
## PCB Terminal Block ▶ 2606 Series

Push-in CAGE CLAMP® ▶ Actuation type: Lever ▶ 10 mm<sup>2</sup> ▶ Terminal strip ▶ Pin spacing: 7.5 mm (0.295 inch) ▶ Color: gray

1



- PCB terminal blocks with lever-actuated Push-in CAGE CLAMP® connection
- Push-in termination of solid and ferruled conductors
- Intuitive and tool-free operation
- Several clamping units can be held open simultaneously – convenient for terminating multi-core cables
- Testing can be performed both parallel and perpendicular to conductor entry



### Electrical Data

Pin spacing	7.5 mm (0.295 inch)		
Ratings per	IEC/EN 60664-1		
Overvoltage category	III	III	II
Pollution degree	3	2	2
Rated voltage	800 V	1000 V	1000 V
Rated impulse voltage	8 kV	8 kV	8 kV
Rated current	41 A	41 A	41 A
Approvals per	UL 1059		
Use Group	B	C	D
Rated voltage	600 V	600 V	-
Rated current	31 A	31 A	-

### Connection Data

Connection technology	Push-in CAGE CLAMP®
Strip length	11 ... 13 mm / 0.43 ... 0.51 inch
Solid conductor	0.2 ... 10 mm <sup>2</sup> / 24 ... 8 AWG
Fine-stranded conductor	0.2 ... 10 mm <sup>2</sup> / 24 ... 8 AWG
Fine-stranded conductor with ferrule with plastic collar	0.25 ... 6 mm <sup>2</sup>
Fine-stranded conductor with ferrule without plastic collar	0.25 ... 6 mm <sup>2</sup>
Fine-stranded conductor, with twin ferrule	0.25 ... 2.5 mm <sup>2</sup>

### Material Data

Material group	I
Insulating material	Polyamide 66 (PA 66)
Flammability class per UL94	V0
Clamping spring material	Chrome nickel spring steel (CrNi)
Contact material	Electrolytic copper (Ecu)
Contact plating	Tin-plated

### Mechanical Data

Solder pin arrangement	Over the entire terminal strip, staggered
Solder pin length	4 mm
Solder pin dimensions	1.5 x 1.2 mm
Drilled hole diameter (tolerance)	2 <sup>(+0.1)</sup> mm

### Environmental Requirements

Limit temperature range	-60 ... +105 °C
-------------------------	-----------------

Ferrule Page 847

Additional information, see "Technical Section"

Approvals and corresponding ratings, visit [www.wago.com](http://www.wago.com)



## PCB Terminal Block ▶ 2606 Series

Push-in CAGE CLAMP® ▶ Actuation type: Lever ▶ 10 mm<sup>2</sup> ▶ Terminal strip ▶ Pin spacing: 7.5 mm (0.295 inch) ▶ Color: gray

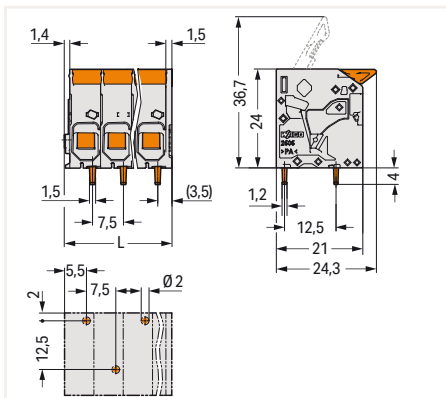
Conductor entry angle to the PCB: 0°

Conductor entry angle to the PCB: 90°

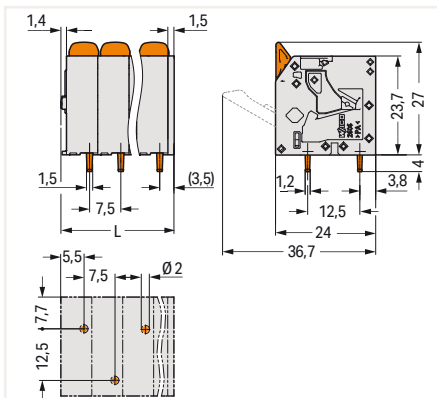


Pole No.	Item No.	PU
2	2606-1102/020-000	120
3	2606-1103/020-000	80
4	2606-1104/020-000	60
5	2606-1105/020-000	50
6	2606-1106/020-000	40
7	2606-1107/020-000	35
8	2606-1108/020-000	30
9	2606-1109/020-000	25
10	2606-1110/020-000	25
11	2606-1111/020-000	25
12	2606-1112/020-000	25

Pole No.	Item No.	PU
2	2606-3102/020-000	120
3	2606-3103/020-000	80
4	2606-3104/020-000	60
5	2606-3105/020-000	50
6	2606-3106/020-000	40
7	2606-3107/020-000	35
8	2606-3108/020-000	30
9	2606-3109/020-000	25
10	2606-3110/020-000	25
11	2606-3111/020-000	25
12	2606-3112/020-000	25



L = (pole no. - 1) x pin spacing + 10.35 mm



L = (pole no. - 1) x pin spacing + 10.35 mm

PU = Packaging Unit; SPU = Subpackaging Unit; Dimensions in mm

Other variants can be requested via the WAGO sales department or, if necessary, configured at <https://configurator.wago.com/>:

- Other pole numbers
- Direct marking
- Other colors

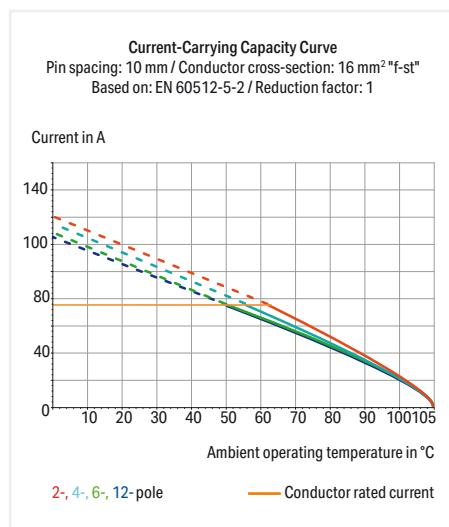
## PCB Terminal Block ▶ 2616 Series

Push-in CAGE CLAMP® ▶ Actuation type: Lever ▶ 16 mm<sup>2</sup> ▶ Modular Terminal Block ▶ Pin spacing: 10 mm (0.394 inch) ▶ Color: gray

1



- PCB terminal blocks with lever-actuated Push-in CAGE CLAMP® connection
- Push-in termination of solid and ferruled conductors
- Intuitive and tool-free operation
- Several clamping units can be held open simultaneously – convenient for terminating multi-core cables
- Testing can be performed both parallel and perpendicular to conductor entry



### Electrical Data

Pin spacing	10 mm (0.394 inch)		
Ratings per	IEC/EN 60664-1		
Overvoltage category	III	III	II
Pollution degree	3	2	2
Rated voltage	1000 V	1000 V	1000 V
Rated impulse voltage	8 kV	8 kV	8 kV
Rated current	76 A	76 A	76 A
Approvals per	UL 1059		
Use Group	B	C	D
Rated voltage	600 V	600 V	-
Rated current	66 A	66 A	-

### Connection Data

Connection technology	Push-in CAGE CLAMP®
Strip length	18 ... 20 mm / 0.71 ... 0.79 inch
Solid conductor	0.75 ... 16 mm <sup>2</sup> / 18 ... 4 AWG
Fine-stranded conductor	0.75 ... 25 mm <sup>2</sup> / 18 ... 4 AWG
Fine-stranded conductor with ferrule with plastic collar	0.75 ... 16 mm <sup>2</sup>
Fine-stranded conductor with ferrule without plastic collar	0.75 ... 16 mm <sup>2</sup>
Fine-stranded conductor, with twin ferrule	0.75 ... 6 mm <sup>2</sup>

### Material Data

Material group	I
Insulating material	Polyamide 66 (PA 66)
Flammability class per UL94	V0
Clamping spring material	Chrome nickel spring steel (CrNi)
Contact material	Electrolytic copper (Ecu)
Contact plating	Tin-plated

### Mechanical Data

Solder pin arrangement	within the terminal block, in line
Solder pin length	4 mm
Solder pin dimensions	1.2 x 1.2 mm
Drilled hole diameter (tolerance)	1.7 <sup>(+0.1)</sup> mm

### Environmental Requirements

Limit temperature range	-60 ... +105 °C
-------------------------	-----------------

Ferrule Page 847

Additional information, see "Technical Section"

Approvals and corresponding ratings, visit [www.wago.com](http://www.wago.com)

## PCB Terminal Block ▶ 2616 Series

Push-in CAGE CLAMP® ▶ Actuation type: Lever ▶ 16 mm<sup>2</sup> ▶ Modular Terminal Block ▶ Pin spacing: 10 mm (0.394 inch) ▶ Color: gray

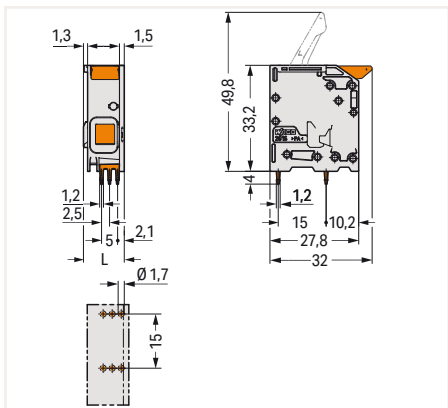
Conductor entry angle to the PCB: 0°

Conductor entry angle to the PCB: 90°

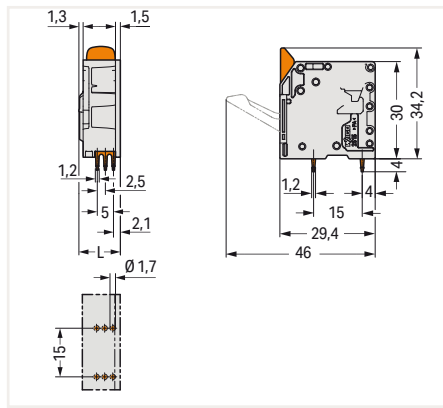


Color	Item No.	PU
● gray	2616-1101	100

Color	Item No.	PU
● gray	2616-3101	100



L = 12.8 mm



L = 12.8 mm

PU = Packaging Unit; SPU = Subpackaging Unit; Dimensions in mm

Other variants can be requested via the WAGO sales department or, if necessary, configured at <https://configurator.wago.com/>:

- Other pole numbers
- Direct marking
- Other colors

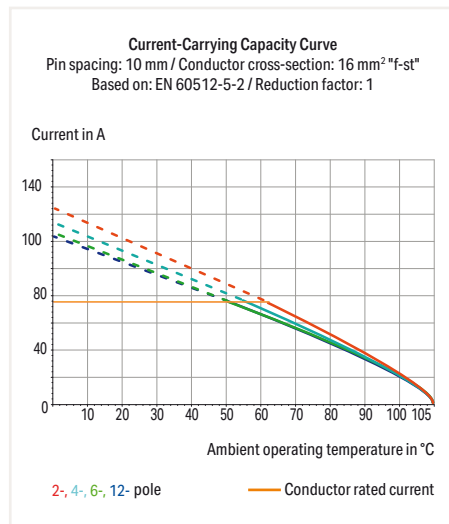
**PCB Terminal Block ▶ 2616 Series**

Push-in CAGE CLAMP® ▶ Actuation type: Lever ▶ 16 mm<sup>2</sup> ▶ Terminal strip ▶ Pin spacing: 10 mm (0.394 inch) ▶ Color: gray

1



- PCB terminal blocks with lever-actuated Push-in CAGE CLAMP® connection
- Push-in termination of solid and ferruled conductors
- Intuitive and tool-free operation
- Several clamping units can be held open simultaneously – convenient for terminating multi-core cables
- Testing can be performed both parallel and perpendicular to conductor entry

**Electrical Data**

Pin spacing	10 mm (0.394 inch)		
Ratings per	IEC/EN 60664-1		
Overvoltage category	III	III	II
Pollution degree	3	2	2
Rated voltage	1000 V	1000 V	1000 V
Rated impulse voltage	8 kV	8 kV	8 kV
Rated current	76 A	76 A	76 A
Approvals per	UL 1059		
Use Group	B	C	D
Rated voltage	600 V	600 V	-
Rated current	66 A	66 A	-

**Connection Data**

Connection technology	Push-in CAGE CLAMP®
Strip length	18 ... 20 mm / 0.71 ... 0.79 inch
Solid conductor	0.75 ... 16 mm <sup>2</sup> / 18 ... 4 AWG
Fine-stranded conductor	0.75 ... 25 mm <sup>2</sup> / 18 ... 4 AWG
Fine-stranded conductor with ferrule with plastic collar	0.75 ... 16 mm <sup>2</sup>
Fine-stranded conductor with ferrule without plastic collar	0.75 ... 16 mm <sup>2</sup>
Fine-stranded conductor, with twin ferrule	0.75 ... 6 mm <sup>2</sup>

**Material Data**

Material group	I
Insulating material	Polyamide 66 (PA 66)
Flammability class per UL94	V0
Clamping spring material	Chrome nickel spring steel (CrNi)
Contact material	Electrolytic copper (Ecu)
Contact plating	Tin-plated

**Mechanical Data**

Solder pin arrangement	Over the entire terminal strip, staggered
Solder pin length	4 mm
Solder pin dimensions	1.2 x 1.2 mm
Drilled hole diameter (tolerance)	1.7 <sup>(+0.1)</sup> mm

**Environmental Requirements**

Limit temperature range	-60 ... +105 °C
-------------------------	-----------------

Ferrule Page 847

Additional information, see "Technical Section"

Approvals and corresponding ratings, visit [www.wago.com](http://www.wago.com)

## PCB Terminal Block ▶ 2616 Series

Push-in CAGE CLAMP® ▶ Actuation type: Lever ▶ 16 mm<sup>2</sup> ▶ Terminal strip ▶ Pin spacing: 10 mm (0.394 inch) ▶ Color: gray

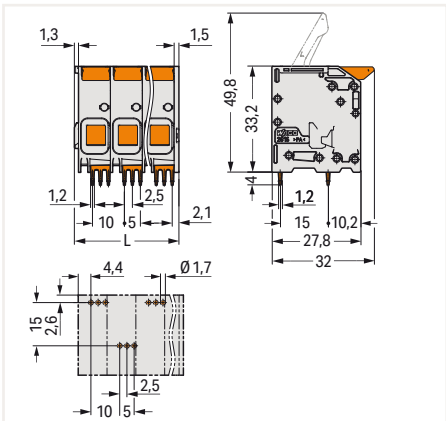
Conductor entry angle to the PCB: 0°

Conductor entry angle to the PCB: 90°

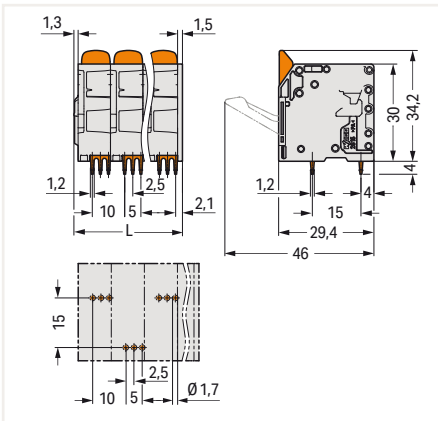


Pole No.	Item No.	PU
2	2616-1102/020-000	50
3	2616-1103/020-000	40
4	2616-1104/020-000	25
5	2616-1105/020-000	25
6	2616-1106/020-000	20
7	2616-1107/020-000	20
8	2616-1108/020-000	15
9	2616-1109/020-000	15
10	2616-1110/020-000	15
11	2616-1111/020-000	10
12	2616-1112/020-000	10

Pole No.	Item No.	PU
2	2616-3102/020-000	50
3	2616-3103/020-000	40
4	2616-3104/020-000	25
5	2616-3105/020-000	25
6	2616-3106/020-000	20
7	2616-3107/020-000	20
8	2616-3108/020-000	15
9	2616-3109/020-000	15
10	2616-3110/020-000	15
11	2616-3111/020-000	10
12	2616-3112/020-000	10



L = (pole no. - 1) x pin spacing + 12.8 mm



L = (pole no. - 1) x pin spacing + 12.8 mm

PU = Packaging Unit; SPU = Subpackaging Unit; Dimensions in mm

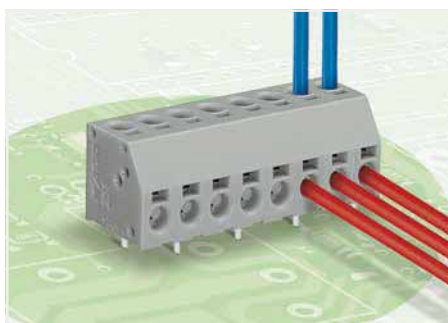
Other variants can be requested via the WAGO sales department or, if necessary, configured at <https://configurator.wago.com/>:

- Other pole numbers
- Direct marking
- Other colors

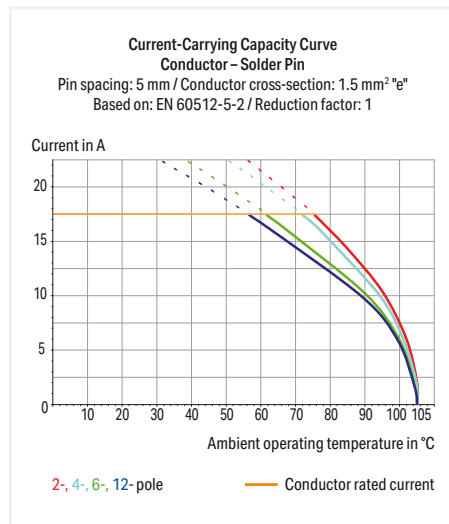
## 2-Conductor PCB Terminal Block ▶ 253 Series

PUSH WIRE® ▶ PUSH WIRE® ▶ Actuation type: Operating tool ▶ Terminal strip ▶ 1.5 mm<sup>2</sup> ▶ Pin spacing: 5 mm (0.197 inch) ▶ Color: gray

1



- PCB terminal strips with PUSH WIRE® connection and screwdriver actuation
- Double-conductor connection provides top-entry (vertical) and/or side-entry (horizontal) wiring
- Push-in termination of solid conductors
- Double entries for power supply and potential distribution



### Electrical Data

Pin spacing	5 mm (0.197 inch)		
Ratings per	IEC/EN 60664-1		
Overvoltage category	III	III	II
Pollution degree	3	2	2
Rated voltage	320 V	320 V	630 V
Rated impulse voltage	4 kV	4 kV	4 kV
Rated current	17.5 A	17.5 A	17.5 A
Approvals per	UL 1059		
Use Group	B	C	D
Rated voltage	300 V	-	300 V
Rated current	8 A	-	8 A
Approvals per	CSA		
Use Group	B	C	D
Rated voltage	300 V	-	300 V
Rated current	8 A	-	8 A

### Connection Data

Connection type (1)	PUSH WIRE® connection
Connection technology	PUSH WIRE®
Number of connection points (connection type)	1
Strip length	8.5 ... 9.5 mm / 0.33 ... 0.37 inch
Note (strip length)	7 ... 8 mm / 0.28 ... 0.31 in. (for wiring on both sides)
Conductor entry angle to the PCB	0°
Solid conductor	0.5 ... 1.5 mm <sup>2</sup> / 20 ... 16 AWG
Connection type (2)	PUSH WIRE® connection
Connection technology 2	PUSH WIRE®
Number of connection points	1
Strip length (2)	8.5 ... 9.5 mm / 0.33 ... 0.37 inch
Note (strip length) 2	7 ... 8 mm / 0.28 ... 0.31 in. (for wiring on both sides)
Conductor entry angle to the PCB 2	90°
Solid conductor (2)	0.5 ... 1.5 mm <sup>2</sup> / 20 ... 16 AWG

### Material Data

Material group	I
Insulating material	Polyamide 66 (PA 66)
Flammability class per UL94	V0
Clamping spring material	Chrome nickel spring steel (CrNi)
Contact material	Electrolytic copper (Ecu)
Contact plating	Tin-plated

### Mechanical Data

Solder pin arrangement	Over the entire terminal strip, staggered
Solder pin length	3.6 mm
Solder pin dimensions	0.5 x 0.8 mm
Drilled hole diameter (tolerance)	1.1 <sup>(+0.1)</sup> mm

### Environmental Requirements

Limit temperature range	-60 ... +105 °C
-------------------------	-----------------

Marking Page 833

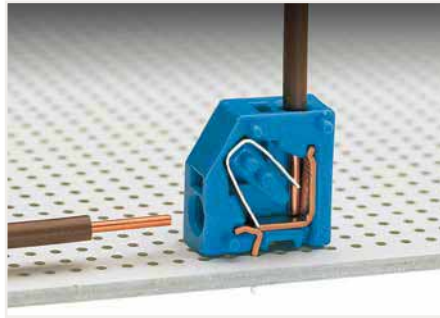
Tools Page 838

Additional information, see "Technical Section"

Approvals and corresponding ratings, visit [www.wago.com](http://www.wago.com)

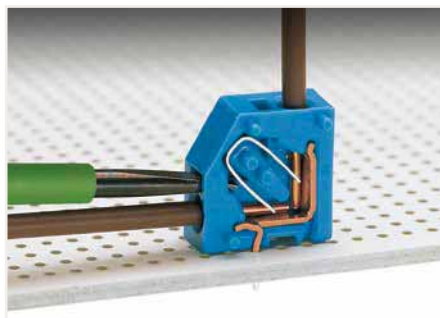
## 2-Conductor PCB Terminal Block ▶ 253 Series

PUSH WIRE® ▶ PUSH WIRE® ▶ Actuation type: Operating tool ▶ Terminal strip ▶ 1.5 mm<sup>2</sup> ▶ Pin spacing: 5 mm (0.197 inch) ▶ Color: gray

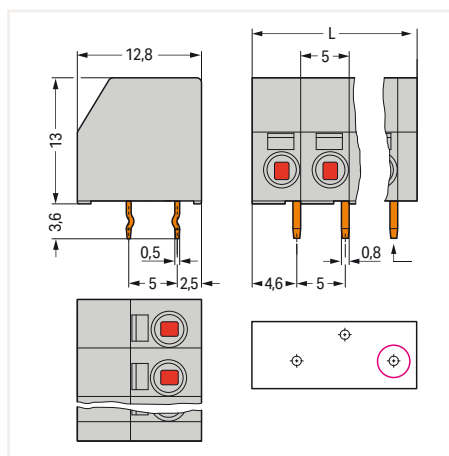


Inserting a conductor via push-in termination.

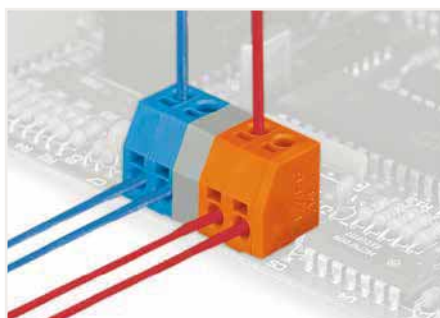
Pole No.	Item No.	PU (SPU)
2	253-102	400 (100)
3	253-103	280 (70)
4	253-104	220 (55)
5	253-105	160 (40)
6	253-106	140 (35)
7	253-107	120 (30)
8	253-108	100 (25)
9	253-109	100 (25)
10	253-110	80 (20)
11	253-111	80 (20)
12	253-112	60 (15)
13	253-113	60 (15)
14	253-114	60 (15)
15	253-115	60 (15)
16	253-116	40 (10)



Removing a conductor via 2.5 mm screwdriver.



$L = (\text{pole no.} \times \text{pin spacing}) + 2 \text{ mm}$   
 First solder pin, front right (red circle)



Mixed-color terminal strips (with or without spacer) are available upon request.

PU = Packaging Unit; SPU = Subpackaging Unit; Dimensions in mm

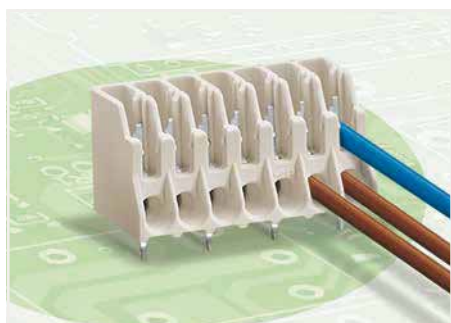
Other variants can be requested via the WAGO sales department or, if necessary, configured at <https://configurator.wago.com/>:

- Other pole numbers
- Other colors
- Mixed-color terminal strips
- Direct marking

**PCB Terminal Block ▶ 251 Series**

**PUSH WIRE® ▶ IDC connection ▶ Actuation type: Operating tool ▶ 1 mm<sup>2</sup> ▶ Pin spacing: 3.5 mm (0.138 inch) ▶ Color: white**

1



- Compact Combi PCB terminal blocks – streamlined for automated wiring in the lighting industry
- Low conductor insertion forces
- PUSH WIRE® and IDC connections – ideal for automated wiring systems

Electrical Data			
Pin spacing	3.5 mm (0.138 inch)		
Ratings per	IEC/EN 60664-1		
Overvoltage category	III	III	II
Pollution degree	3	2	2
Rated voltage	320 V	320 V	630 V
Rated impulse voltage	4 kV	4 kV	4 kV
Rated current	6 A	6 A	6 A
Approvals per	UL 1059		
Use Group	B	C	D
Rated voltage	300 V	-	300 V
Rated current	4 A	-	4 A

Connection Data	
Connection technology	PUSH WIRE®
Number of connection points (connection type)	1
Strip length	8 ... 9 mm / 0.31 ... 0.35 inch
Conductor entry angle to the PCB	0°
Solid conductor	0.5 ... 1 mm <sup>2</sup> / 20 ... 18 AWG
Connection technology 2	IDC connection
Number of connection points	1
Conductor entry angle to the PCB 2	0°
Solid conductor (2)	0.5 mm <sup>2</sup> / 20 AWG
Fine-stranded conductor (2)	0.75 mm <sup>2</sup> / 18 AWG

Material Data	
Material group	I
Insulating material	Polyamide 66 (PA 66)
Flammability class per UL94	V0
Clamping spring material	Chrome nickel spring steel (CrNi)
Contact material	Copper alloy
Contact plating	Tin-plated

Mechanical Data	
Solder pin arrangement	Over the entire terminal strip, staggered
Solder pin length	3.2 mm
Solder pin dimensions	0.5 x 0.75 mm
Drilled hole diameter (tolerance)	1.1 <sup>(+0.1)</sup> mm

Environmental Requirements	
Limit temperature range	-60 ... +105 °C

Tools Page 838

Additional information, see "Technical Section"

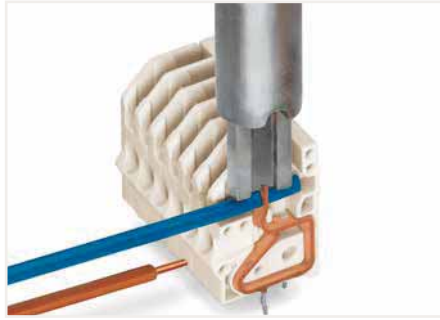
Approvals and corresponding ratings, visit [www.wago.com](http://www.wago.com)



# PCB Terminal Block ▶ 251 Series

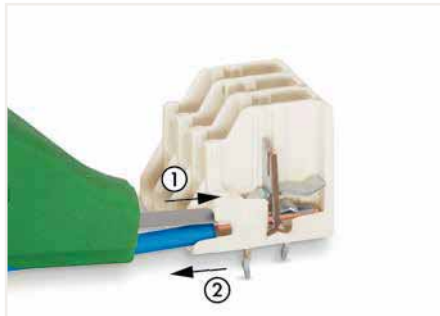
PUSH WIRE® ▶ IDC connection ▶ Actuation type: Operating tool ▶ 1 mm<sup>2</sup> ▶ Pin spacing: 3.5 mm (0.138 inch) ▶ Color: white

1



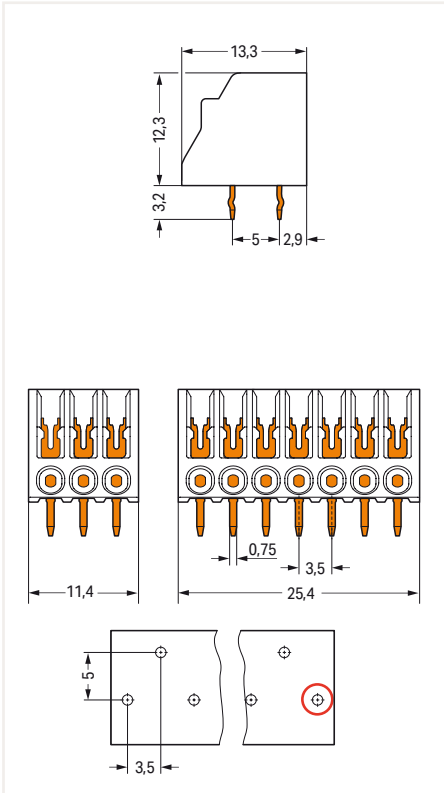
Conductor termination:  
 PUSH WIRE®: Simply push in conductor.  
 IDC: Push in conductor via 206-831 Operating Tool.

Pole No.	Item No.	PU (SPU)
3	251-303	420 (105)
4	251-304	320 (80)
6	251-306	200 (50)
7	251-307	180 (45)
8	251-308	160 (40)
10	251-310	120 (30)



Conductor removal:  
 PUSH WIRE®: Twist conductor and pull out, or fully insert 206-830 Disconnection Tool over the conductor (1) and pull it out (2).

IDC: Pull up vertically on conductor to remove it (10x re-connection cycles possible when used properly – before re-using, cut off old contact point from conductor).



L = (pole no. x pin spacing) + 0.9 mm  
 Starting point is first solder pin, front right (red circle)

PU = Packaging Unit; SPU = Subpackaging Unit; Dimensions in mm

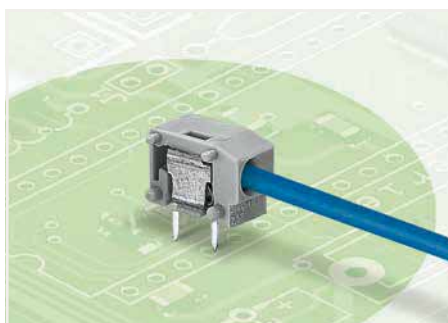
Other variants can be requested via the WAGO sales department or, if necessary, configured at <https://configurator.wago.com/>:

- Other pole numbers
- Direct marking

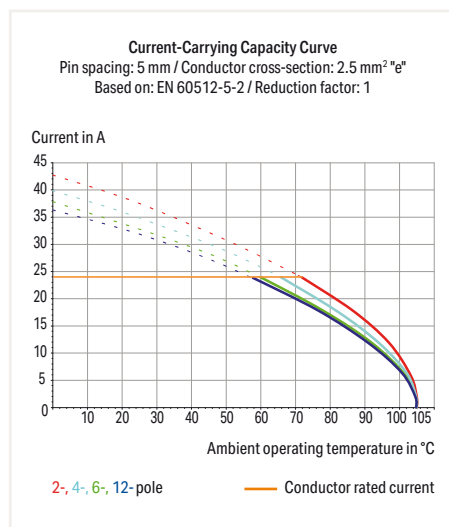
## PCB Terminal Block ▶ 235 Series

PUSH WIRE® ▶ Actuation type: Operating tool ▶ Modular Terminal Block ▶ 2.5 mm<sup>2</sup>

1



- Low-profile modular PCB terminal blocks with PUSH WIRE® connection for custom terminal strip assemblies
- Push-in termination for solid conductors
- Double solder pins for high mechanical stability
- Conductor removal via screwdriver (2.5 mm x 0.4 mm)
- Set to metric or inch pin spacing by compressing terminal strips or pulling them apart
- Also available with test slot



Electrical Data									
Pin spacing	5/5.08 mm / 0.197/0.2 inch			7.5/7.62 mm / 0.295/0.3 inch			10/10.16 mm / 0.394/0.4 inch		
Ratings per	IEC/EN 60664-1			IEC/EN 60664-1			IEC/EN 60664-1		
Overtoltage category	III	III	II	III	III	II	III	III	II
Pollution degree	3	2	2	3	2	2	3	2	2
Rated voltage	250 V	320 V	630 V	400 V	630 V	1000 V	630 V	1000 V	1000 V
Rated impulse voltage	4 kV	4 kV	4 kV	6 kV	6 kV	6 kV	8 kV	8 kV	8 kV
Rated current	24 A	24 A	24 A	24 A	24 A	24 A	24 A	24 A	24 A
Approvals per	UL 1059			UL 1059			UL 1059		
Use Group	B	C	D	B	C	D	B	C	D
Rated voltage	300 V	-	300 V	300 V	-	300 V	300 V	-	300 V
Rated current	10 A	-	10 A	10 A	-	10 A	10 A	-	10 A
Approvals per	CSA			CSA			CSA		
Use Group	B	C	D	B	C	D	B	C	D
Rated voltage	300 V	-	-	300 V	-	-	300 V	-	-
Rated current	15 A	-	-	15 A	-	-	15 A	-	-

Connection Data	
Connection technology	PUSH WIRE®
Strip length	9 ... 10 mm / 0.35 ... 0.39 inch
Conductor entry angle to the PCB	0°
Solid conductor	0.5 ... 2.5 mm <sup>2</sup> / 20 ... 14 AWG
Fine-stranded conductor with ferrule with plastic collar	0.25 ... 1.5 mm <sup>2</sup>
Fine-stranded conductor with ferrule without plastic collar	0.25 ... 1.5 mm <sup>2</sup>

Material Data	
Material group	I
Insulating material	Polyamide 66 (PA 66)
Flammability class per UL94	V0
Clamping spring material	Chrome nickel spring steel (CrNi)
Contact material	Electrolytic copper (Ecu)
Contact plating	Tin-plated

Mechanical Data	
Solder pin length	3.6 mm
Solder pin dimensions	0.8 x 0.4 mm
Drilled hole diameter (tolerance)	1 <sup>(±0.1)</sup> mm

Environmental Requirements	
Limit temperature range	-60 ... +105 °C

Ferrule Page 847

Marking Page 833

Tools Page 838

Additional information, see "Technical Section"

Approvals and corresponding ratings, visit [www.wago.com](http://www.wago.com)

# PCB Terminal Block ▶ 235 Series

## PUSH WIRE® ▶ Actuation type: Operating tool ▶ Modular Terminal Block ▶ 2.5 mm<sup>2</sup>

Pin spacing: 5/5.08 mm / 0.197/0.2 inch

Pin spacing: 7.5/7.62 mm / 0.295/0.3 inch

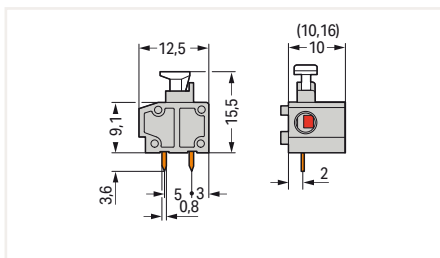
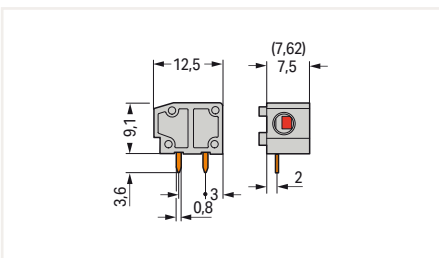
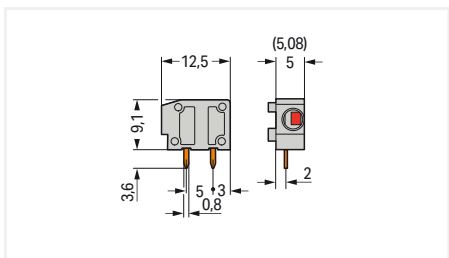
Pin spacing: 10/10.16 mm / 0.394/0.4 inch



Color	Item No.	PU (SPU)
gray	235-401	800 (100)
blue	235-744	800 (100)
orange	235-746	800 (100)
light gray	235-743	800 (100)
light green	235-747	800 (100)
red	235-740	800 (100)
dark gray	235-742	800 (100)

Color	Item No.	PU (SPU)
gray	235-501	600 (100)
blue	235-754	600 (100)
orange	235-756	600 (100)
light gray	235-753	600 (100)
light green	235-757	600 (100)
dark gray	235-752	600 (100)

Color	Item No.	PU (SPU)
gray	235-801	400 (100)
orange	235-766	400 (100)
dark gray	235-762	400 (100)



### Accessories; for all products on this page



End plate; 1 mm; snap-on type		
Color	Item No.	PU (SPU)
gray	235-100	2000 (100)
blue	235-400	2000 (100)
orange	235-600	2000 (100)
white	235-850	2000 (100)
black	235-500	2000 (100)
yellow	235-550	2000 (100)
light gray	235-300	2000 (100)
light green	235-700	2000 (100)
violet	235-650	2000 (100)
red	235-800	2000 (100)
dark gray	235-200	2000 (100)

intermediate plate; extends pin spacing; Pin spacing: 5/5.08 mm / 0.197/0.2 inch		
Color	Item No.	PU (SPU)
gray	235-701	1000 (100)

PU = Packaging Unit; SPU = Subpackaging Unit; Dimensions in mm

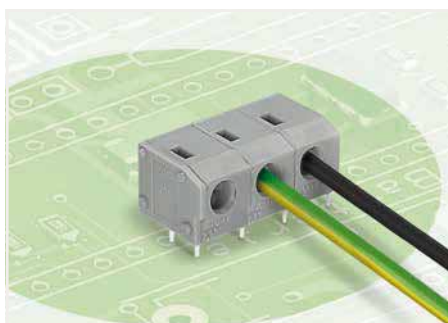
Other variants can be requested via the WAGO sales department or, if necessary, configured at <https://configurator.wago.com/>:

- Other colors

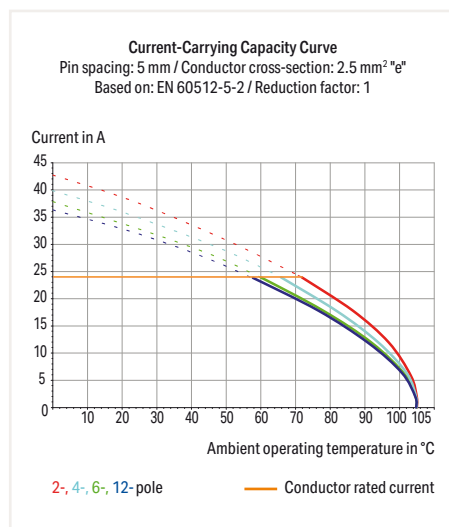
## PCB Terminal Block ▶ 235 Series

PUSH WIRE® ▶ Actuation type: Operating tool ▶ Terminal strip ▶ 2.5 mm<sup>2</sup> ▶ Pin spacing: 5/5.08 mm / 0.197/0.2 inch ▶ Color: gray

1



- Low-profile modular PCB terminal blocks with PUSH WIRE® connection for custom terminal strip assemblies
- Push-in termination for solid conductors
- Double solder pins for high mechanical stability
- Conductor removal via screwdriver (2.5 mm x 0.4 mm)
- Set to metric or inch pin spacing by compressing terminal strips or pulling them apart



Electrical Data			
Pin spacing	5/5.08 mm / 0.197/0.2 inch		
Ratings per	IEC/EN 60664-1		
Overvoltage category	III	III	II
Pollution degree	3	2	2
Rated voltage	250 V	320 V	630 V
Rated impulse voltage	4 kV	4 kV	4 kV
Rated current	24 A	24 A	24 A
Approvals per	UL 1059		
Use Group	B	C	D
Rated voltage	300 V	-	300 V
Rated current	10 A	-	10 A
Approvals per	CSA		
Use Group	B	C	D
Rated voltage	300 V	-	-
Rated current	15 A	-	-

Connection Data	
Connection technology	PUSH WIRE®
Strip length	9 ... 10 mm / 0.35 ... 0.39 inch
Conductor entry angle to the PCB	0°
Solid conductor	0.5 ... 2.5 mm <sup>2</sup> / 20 ... 14 AWG
Fine-stranded conductor with ferrule with plastic collar	0.25 ... 1.5 mm <sup>2</sup>
Fine-stranded conductor with ferrule without plastic collar	0.25 ... 1.5 mm <sup>2</sup>

Material Data	
Material group	I
Insulating material	Polyamide 66 (PA 66)
Flammability class per UL94	V0
Clamping spring material	Chrome nickel spring steel (CrNi)
Contact material	Electrolytic copper (Ecu)
Contact plating	Tin-plated

Mechanical Data	
Solder pin arrangement	Over the entire terminal strip, in line
Solder pin length	3.6 mm
Solder pin dimensions	0.8 x 0.4 mm
Drilled hole diameter (tolerance)	1 <sup>(+0.1)</sup> mm

Environmental Requirements	
Limit temperature range	-60 ... +105 °C

Ferrule Page 847

Marking Page 833

Tools Page 838

Additional information, see "Technical Section"

Approvals and corresponding ratings, visit [www.wago.com](http://www.wago.com)

## PCB Terminal Block ▶ 235 Series

PUSH WIRE® ▶ Actuation type: Operating tool ▶ Terminal strip ▶ 2.5 mm<sup>2</sup> ▶ Pin spacing: 5/5.08 mm / 0.197/0.2 inch ▶ Color: gray

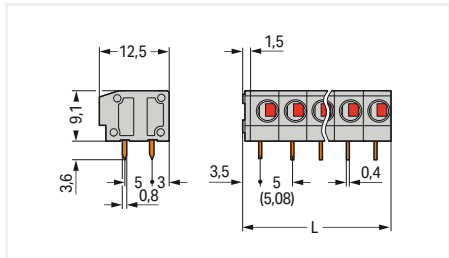


Inserting a solid conductor via push-in termination.

Pole No.	Item No.	PU (SPU)
2	235-402	420 (105)
3	235-403	280 (70)
4	235-404	220 (55)
5	235-405	180 (45)
6	235-406	140 (35)
7	235-407	120 (30)
8	235-408	100 (25)
9	235-409	100 (25)
10	235-410	80 (20)
12	235-412	60 (15)



Removing conductor via (2.5 x 0.4) mm screwdriver.



$$L = (\text{pole no.} \times \text{pin spacing}) + 1.5 \text{ mm}$$

PU = Packaging Unit; SPU = Subpackaging Unit; Dimensions in mm

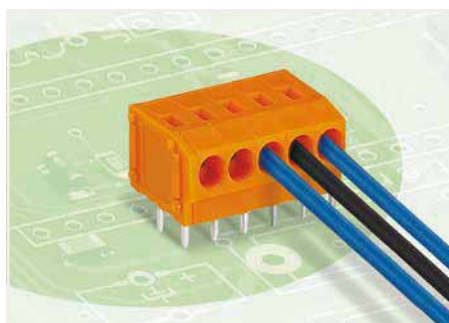
Other variants can be requested via the WAGO sales department or, if necessary, configured at <https://configurator.wago.com/>:

- Other pole numbers
- Other colors
- PCB terminal strips with 7.5/7.62 mm and 10/10.16 mm pin spacing
- Mixed-color terminal strips
- Direct marking

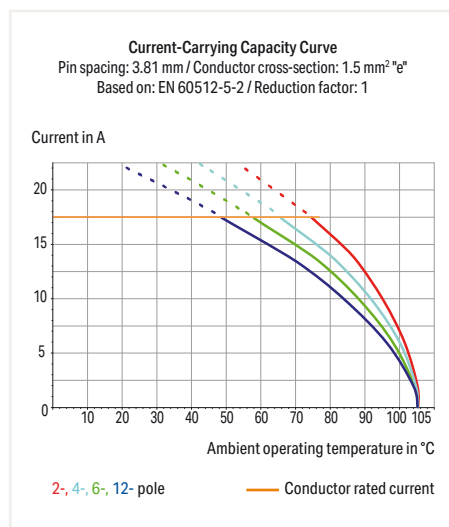
## PCB Terminal Block ▶ 235 Series

PUSH WIRE® ▶ Actuation type: Operating tool ▶ Modular Terminal Block ▶ 1.5 mm<sup>2</sup> ▶ Pin spacing: 3.81 mm (0.15 inch) ▶ Color: orange

1



- Low-profile PCB terminal strips with PUSH WIRE® connection and screwdriver actuation
- Push-in termination of solid conductors
- Double solder pins for high mechanical stability
- Conductor removal via screwdriver (2.5 mm x 0.4 mm)



### Electrical Data

Pin spacing	3.81 mm (0.15 inch)		
Ratings per	IEC/EN 60664-1		
Overvoltage category	III	III	II
Pollution degree	3	2	2
Rated voltage	200 V	320 V	500 V
Rated impulse voltage	4 kV	4 kV	4 kV
Rated current	17.5 A	17.5 A	17.5 A
Approvals per	UL 1059		
Use Group	B	C	D
Rated voltage	300 V	-	300 V
Rated current	10 A	-	10 A
Approvals per	CSA		
Use Group	B	C	D
Rated voltage	300 V	-	-
Rated current	10 A	-	-

### Connection Data

Connection technology	PUSH WIRE®
Strip length	9 ... 10 mm / 0.35 ... 0.39 inch
Conductor entry angle to the PCB	0°
Solid conductor	0.5 ... 1.5 mm <sup>2</sup> / 20 ... 16 AWG
Fine-stranded conductor with ferrule with plastic collar	0.25 ... 0.75 mm <sup>2</sup>
Fine-stranded conductor with ferrule without plastic collar	0.25 ... 0.75 mm <sup>2</sup>

### Material Data

Material group	I
Insulating material	Polyamide 66 (PA 66)
Flammability class per UL94	V0
Clamping spring material	Chrome nickel spring steel (CrNi)
Contact material	Electrolytic copper (Ecu)
Contact plating	Tin-plated

### Mechanical Data

Solder pin arrangement	within the terminal block, in line
Solder pin length	3.6 mm
Solder pin dimensions	0.8 x 0.4 mm
Drilled hole diameter (tolerance)	1 <sup>(+0.1)</sup> mm

### Environmental Requirements

Limit temperature range	-60 ... +105 °C
-------------------------	-----------------

Ferrule [Page 847](#)

Marking [Page 832](#)

Tools [Page 838](#)

Additional information, see "Technical Section"

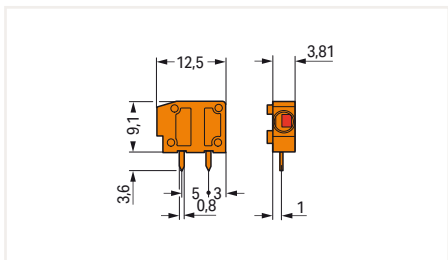
Approvals and corresponding ratings, visit [www.wago.com](http://www.wago.com)

### PCB Terminal Block ▶ 235 Series

PUSH WIRE® ▶ Actuation type: Operating tool ▶ Modular Terminal Block ▶ 1.5 mm<sup>2</sup> ▶ Pin spacing: 3.81 mm (0.15 inch) ▶ Color: orange



Color	Item No.	PU (SPU)
orange	235-101/330-000	800 (100)



Accessories; for all products on this page



End plate; 1 mm; snap-on type		
Color	Item No.	PU (SPU)
gray	235-100	2000 (100)
blue	235-400	2000 (100)
orange	235-600	2000 (100)
white	235-850	2000 (100)
black	235-500	2000 (100)
yellow	235-550	2000 (100)
light gray	235-300	2000 (100)
light green	235-700	2000 (100)
violet	235-650	2000 (100)
red	235-800	2000 (100)
dark gray	235-200	2000 (100)



intermediate plate; extends pin spacing; Pin spacing: 5/5.08 mm / 0.197/0.2 inch		
Color	Item No.	PU (SPU)
gray	235-701	1000 (100)

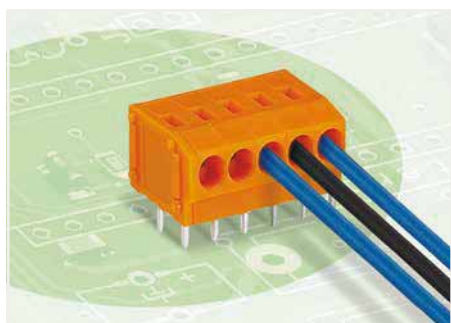
PU = Packaging Unit; SPU = Subpackaging Unit; Dimensions in mm

Other variants can be requested via the WAGO sales department or, if necessary, configured at <https://configurator.wago.com/>:

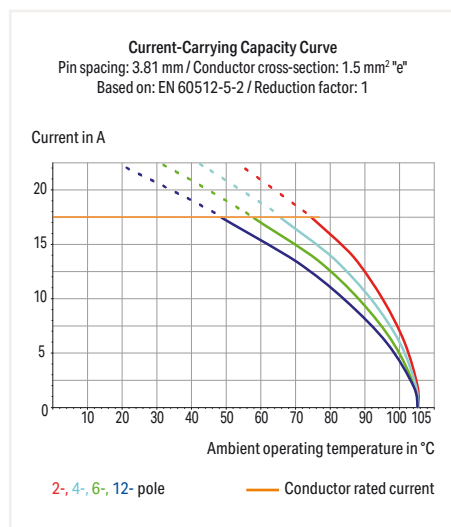
- Other colors

## PCB Terminal Block ▶ 235 Series

PUSH WIRE® ▶ Actuation type: Operating tool ▶ Terminal strip ▶ 1.5 mm<sup>2</sup> ▶ Pin spacing: 3.81 mm (0.15 inch) ▶ Color: orange



- Low-profile PCB terminal strips with PUSH WIRE® connection and screwdriver actuation
- Push-in termination of solid conductors
- Double solder pins for high mechanical stability
- Conductor removal via screwdriver (2.5 mm x 0.4 mm)



Electrical Data			
Pin spacing	3.81 mm (0.15 inch)		
Ratings per	IEC/EN 60664-1		
Overvoltage category	III	III	II
Pollution degree	3	2	2
Rated voltage	200 V	320 V	500 V
Rated impulse voltage	4 kV	4 kV	4 kV
Rated current	17.5 A	17.5 A	17.5 A
Approvals per	UL 1059		
Use Group	B	C	D
Rated voltage	300 V	-	300 V
Rated current	10 A	-	10 A
Approvals per	CSA		
Use Group	B	C	D
Rated voltage	300 V	-	-
Rated current	10 A	-	-

Connection Data	
Connection technology	PUSH WIRE®
Strip length	9 ... 10 mm / 0.35 ... 0.39 inch
Conductor entry angle to the PCB	0°
Solid conductor	0.5 ... 1.5 mm <sup>2</sup> / 20 ... 16 AWG
Fine-stranded conductor with ferrule with plastic collar	0.25 ... 0.75 mm <sup>2</sup>
Fine-stranded conductor with ferrule without plastic collar	0.25 ... 0.75 mm <sup>2</sup>

Material Data	
Material group	I
Insulating material	Polyamide 66 (PA 66)
Flammability class per UL94	V0
Clamping spring material	Chrome nickel spring steel (CrNi)
Contact material	Electrolytic copper (Ecu)
Contact plating	Tin-plated

Mechanical Data	
Solder pin arrangement	Over the entire terminal strip, in line
Solder pin length	3.6 mm
Solder pin dimensions	0.8 x 0.4 mm
Drilled hole diameter (tolerance)	1 <sup>(+0.1)</sup> mm

Environmental Requirements	
Limit temperature range	-60 ... +105 °C

Ferrule Page 847

Marking Page 832

Tools Page 838

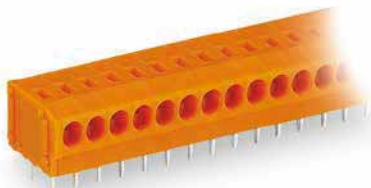
Additional information, see "Technical Section"

Approvals and corresponding ratings, visit [www.wago.com](http://www.wago.com)



## PCB Terminal Block ▶ 235 Series

PUSH WIRE® ▶ Actuation type: Operating tool ▶ Terminal strip ▶ 1.5 mm<sup>2</sup> ▶ Pin spacing: 3.81 mm (0.15 inch) ▶ Color: orange

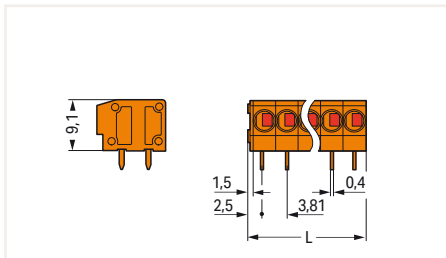


Inserting a solid conductor via push-in termination.

Pole No.	Item No.	PU (SPU)
2	235-102/330-000	520 (130)
3	235-103/330-000	360 (90)
4	235-104/330-000	280 (70)
5	235-105/330-000	220 (55)
6	235-106/330-000	180 (45)
7	235-107/330-000	160 (40)
8	235-108/330-000	140 (35)
9	235-109/330-000	120 (30)
10	235-110/330-000	120 (40)



Removing conductor via (2.5 x 0.4) mm screwdriver.



$L = (\text{pole no.} \times \text{pin spacing}) + 1.5 \text{ mm}$

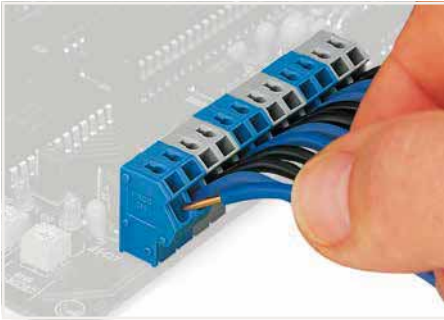
PU = Packaging Unit; SPU = Subpackaging Unit; Dimensions in mm

Other variants can be requested via the WAGO sales department or, if necessary, configured at <https://configurator.wago.com/>:

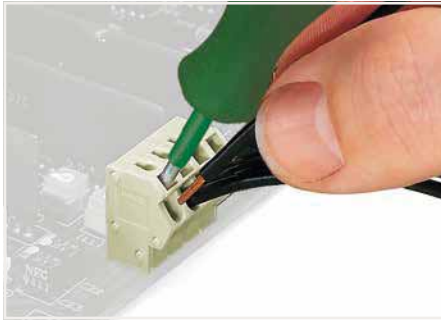
- Other pole numbers
- Other colors
- Mixed-color terminal strips
- Direct marking

# 254 Series Description and Installation

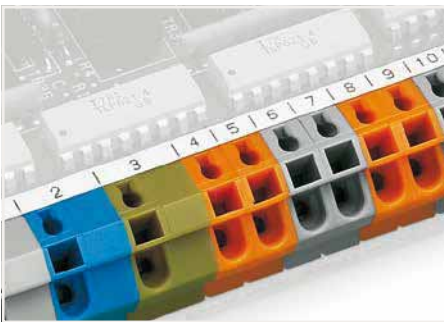
1



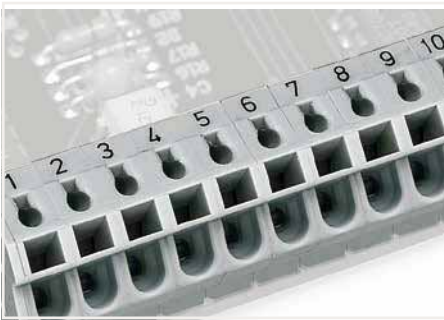
Inserting a solid conductors via push-in termination.



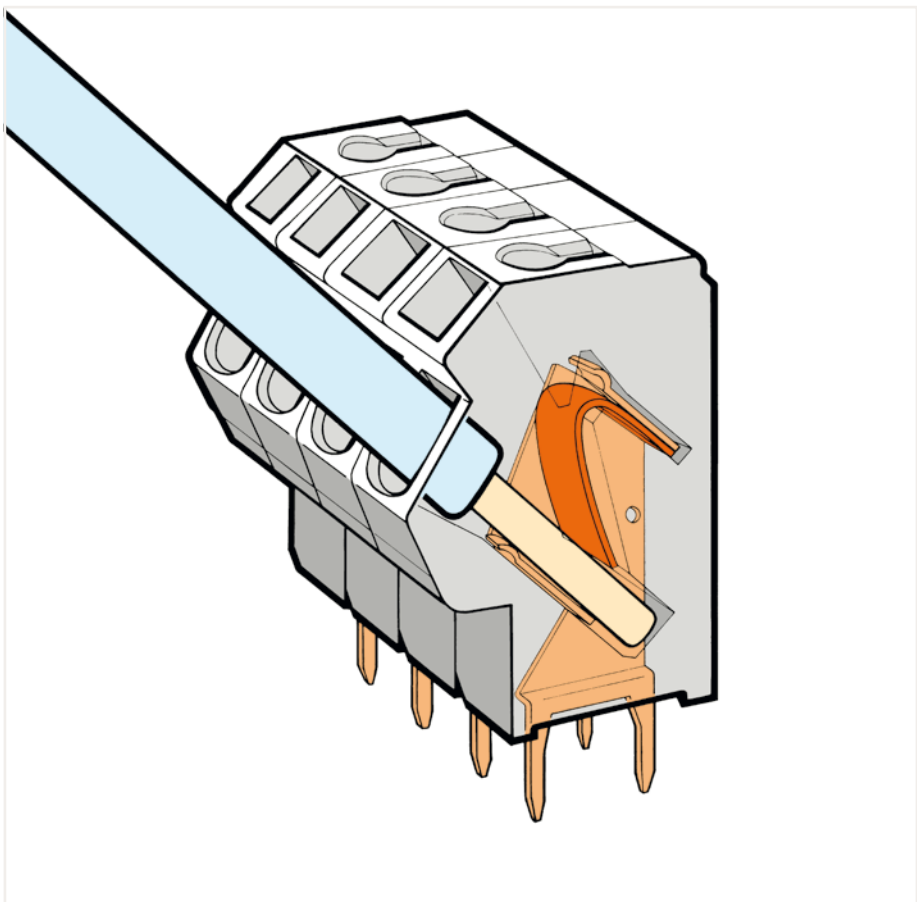
Inserting a tip-bonded conductor via screwdriver.



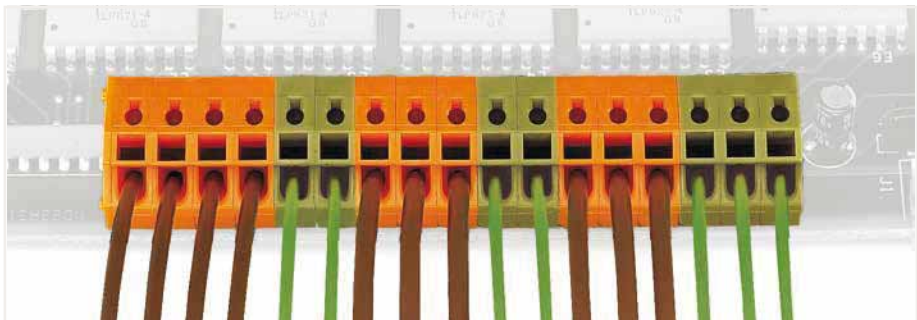
Labeling via self-adhesive marking strips.



Labeling via factory direct marking.

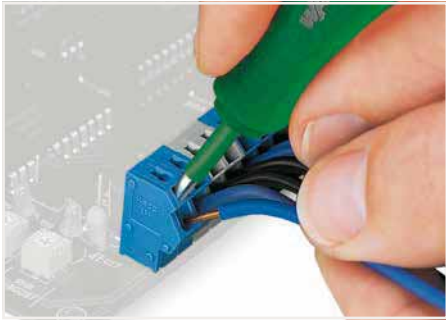


Application example: field-wiring terminal strip

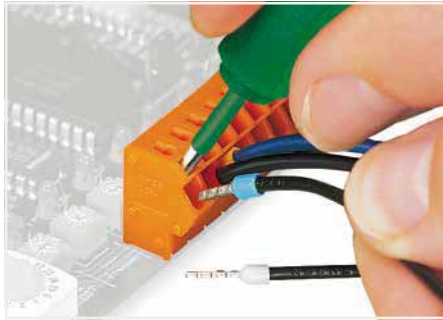


Mixed terminal strips can be assembled using different housing colors for the formation of groups.

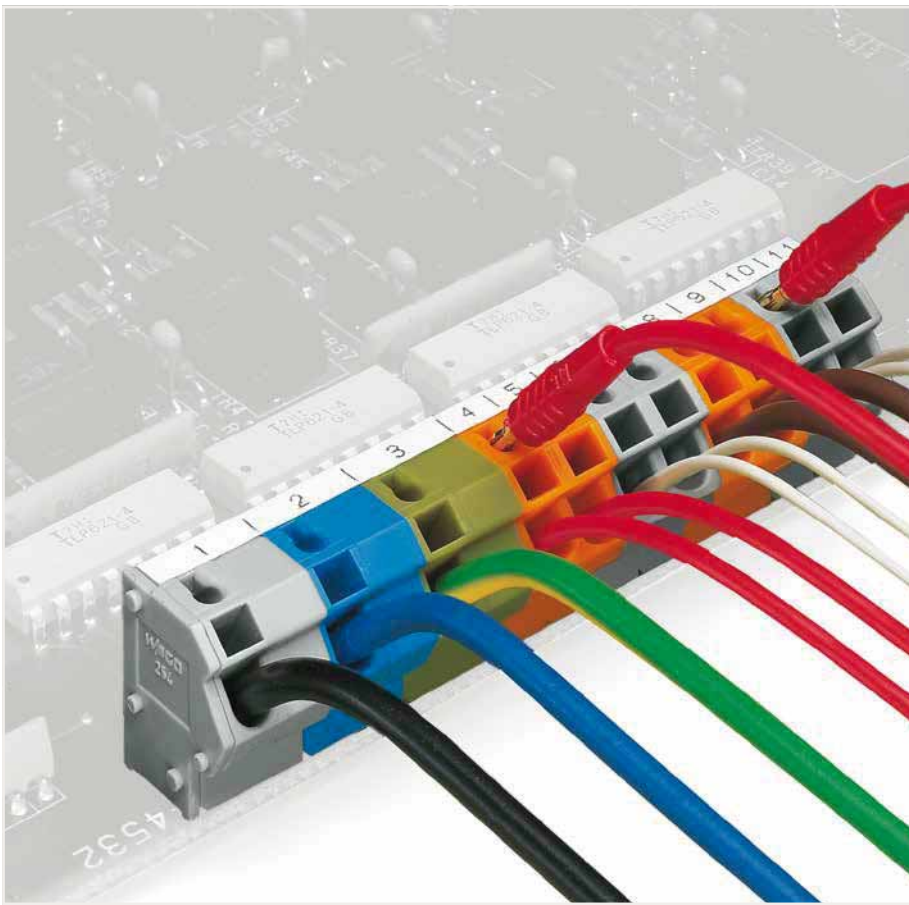
## 254 Series Description and Installation



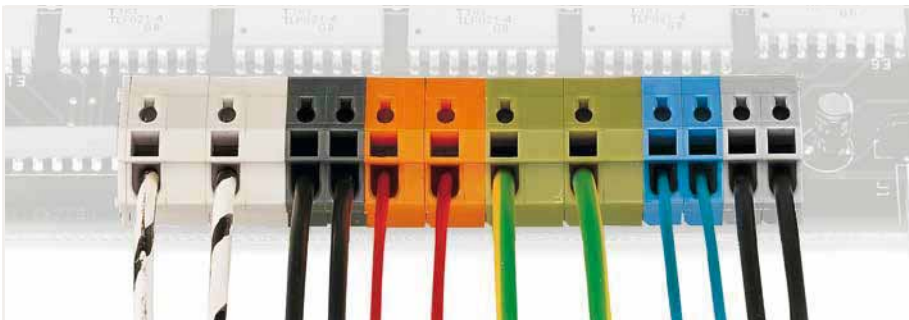
Removing a conductor.



Inserting/removing a ferruled conductor.



Testing with 2 mm Ø test plug.



Mixed terminal strips can be assembled using different pin spacing and housing colors for the formation of groups.

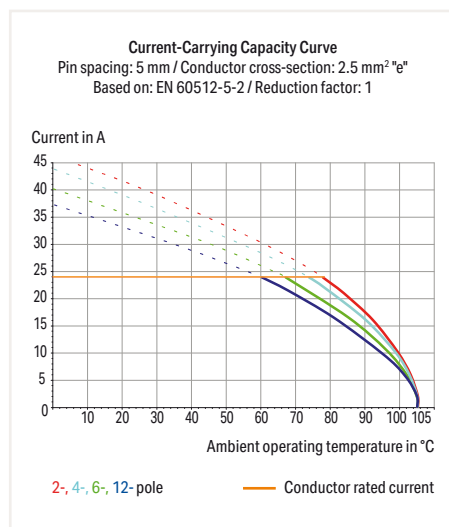
## PCB Terminal Block ▶ 254 Series

PUSH WIRE® ▶ Actuation type: Operating tool ▶ Modular Terminal Block ▶ 2.5 mm<sup>2</sup>

1



- Modular PCB terminal blocks with PUSH WIRE® connection and screwdriver actuation for custom terminal strip assemblies
- Push-in termination of solid and ferruled conductors
- Test socket for 2 mm Ø test plug
- Save space on the PCB, just 8.9 mm deep
- Also available with 2-conductor connection



Electrical Data									
Pin spacing	5/5.08 mm / 0.197/0.2 inch			7.5/7.62 mm / 0.295/0.3 inch			10/10.16 mm / 0.394/0.4 inch		
Ratings per	IEC/EN 60664-1			IEC/EN 60664-1			IEC/EN 60664-1		
Overtoltage category	III	III	II	III	III	II	III	III	II
Pollution degree	3	2	2	3	2	2	3	2	2
Rated voltage	320 V	320 V	630 V	500 V	630 V	1000 V	630 V	1000 V	1000 V
Rated impulse voltage	4 kV	4 kV	4 kV	6 kV	6 kV	6 kV	8 kV	8 kV	8 kV
Rated current	24 A	24 A	24 A	24 A	24 A	24 A	24 A	24 A	24 A
Approvals per	UL 1059			UL 1059			UL 1059		
Use Group	B	C	D	B	C	D	B	C	D
Rated voltage	300 V	-	300 V	300 V	-	300 V	300 V	-	300 V
Rated current	10 A	-	10 A	10 A	-	10 A	10 A	-	10 A
Approvals per	CSA			CSA			CSA		
Use Group	B	C	D	B	C	D	B	C	D
Rated voltage	300 V	-	300 V	300 V	-	300 V	300 V	-	300 V
Rated current	10 A	-	10 A	10 A	-	10 A	10 A	-	10 A

Connection Data	
Connection technology	PUSH WIRE®
Strip length	10 ... 12 mm / 0.39 ... 0.47 inch
Conductor entry angle to the PCB	45°
Solid conductor	0.5 ... 2.5 mm <sup>2</sup> / 20 ... 12 AWG
Fine-stranded conductor with ferrule with plastic collar	0.5 ... 1.5 mm <sup>2</sup>
Fine-stranded conductor with ferrule without plastic collar	0.5 ... 1.5 mm <sup>2</sup>
Note (conductor cross-section)	12 AWG: THHN, THWN

Material Data	
Material group	I
Insulating material	Polyamide 66 (PA 66)
Flammability class per UL94	V0
Clamping spring material	Chrome nickel spring steel (CrNi)
Contact material	Electrolytic copper (Ecu)
Contact plating	Tin-plated

Mechanical Data	
Solder pin arrangement	within the terminal block, in line
Solder pin length	4 mm
Solder pin dimensions	0.5 x 0.75 mm
Drilled hole diameter (tolerance)	1.1 <sup>(+0.1)</sup> mm

Environmental Requirements	
Limit temperature range	-60 ... +105 °C

Ferrule Page 847

Marking Page 833

Testing and measuring Page 854

Tools Page 838

Additional information, see "Technical Section"

Approvals and corresponding ratings, visit [www.wago.com](http://www.wago.com)

# PCB Terminal Block ▶ 254 Series

## PUSH WIRE® ▶ Actuation type: Operating tool ▶ Modular Terminal Block ▶ 2.5 mm<sup>2</sup>

Pin spacing: 5/5.08 mm / 0.197/0.2 inch

Pin spacing: 7.5/7.62 mm / 0.295/0.3 inch

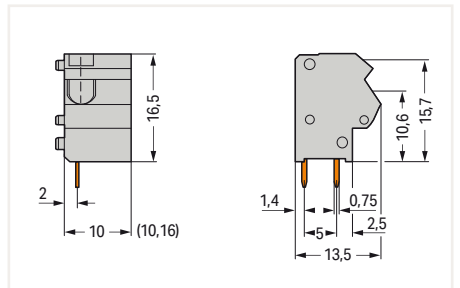
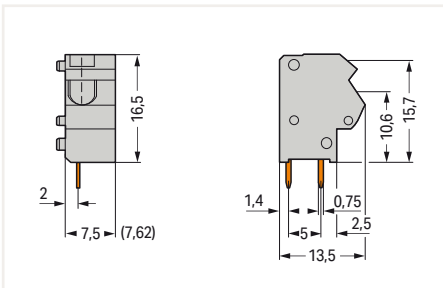
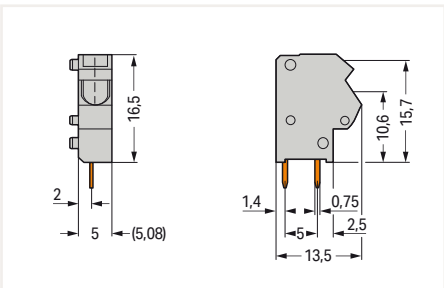
Pin spacing: 10/10.16 mm / 0.394/0.4 inch



Color	Item No.	PU (SPU)
gray	254-451	500 (100)
blue	254-844	500 (100)
orange	254-846	500 (100)
light gray	254-843	500 (100)
light green	254-847	500 (100)
dark gray	254-842	500 (100)

Color	Item No.	PU (SPU)
gray	254-551	400 (100)
blue	254-854	400 (100)
orange	254-856	400 (100)
light gray	254-853	400 (100)
light green	254-857	400 (100)
dark gray	254-852	400 (100)

Color	Item No.	PU (SPU)
gray	254-651	300 (100)
blue	254-864	300 (100)
orange	254-866	300 (100)
light gray	254-863	300 (100)
light green	254-867	300 (100)
dark gray	254-862	300 (100)



### Accessories; for all products on this page



End plate; 1 mm; snap-on type

Color	Item No.	PU (SPU)
gray	254-100	2000 (100)
blue	254-400	2000 (100)
orange	254-600	2000 (100)
light gray	254-300	2000 (100)
light green	254-700	2000 (100)
dark gray	254-200	2000 (100)

PU = Packaging Unit; SPU = Subpackaging Unit; Dimensions in mm

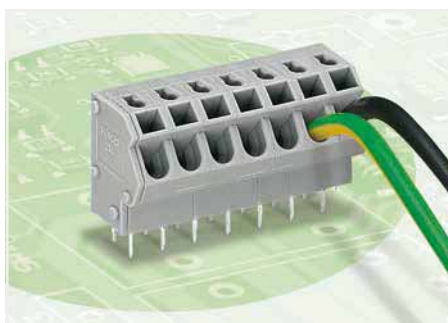
Other variants can be requested via the WAGO sales department or, if necessary, configured at <https://configurator.wago.com/>:

- Other colors
- Versions for Ex i

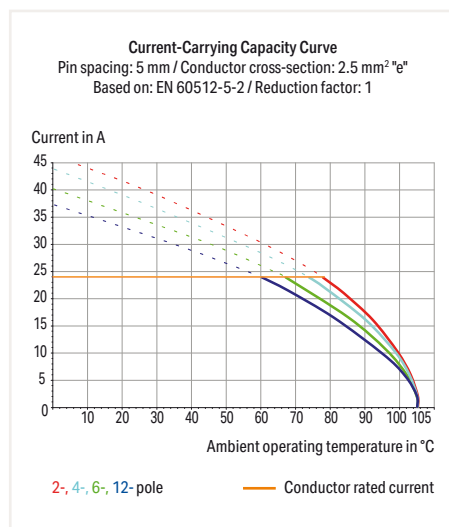
## PCB Terminal Block ▶ 254 Series

PUSH WIRE® ▶ Actuation type: Operating tool ▶ Terminal strip ▶ 2.5 mm<sup>2</sup> ▶ Color: gray

1



- PCB terminal strips with PUSH WIRE® connection and screwdriver actuation
- Push-in termination of solid and ferruled conductors
- Test socket for 2 mm Ø test plug
- Save space on the PCB, just 8.9 mm deep
- Also available with 2-conductor connection



Electrical Data									
Pin spacing	5/5.08 mm / 0.197/0.2 inch			7.5/7.62 mm / 0.295/0.3 inch			10/10.16 mm / 0.394/0.4 inch		
Ratings per	IEC/EN 60664-1			IEC/EN 60664-1			IEC/EN 60664-1		
Overtoltage category	III	III	II	III	III	II	III	III	II
Pollution degree	3	2	2	3	2	2	3	2	2
Rated voltage	320 V	320 V	630 V	500 V	630 V	1000 V	630 V	1000 V	1000 V
Rated impulse voltage	4 kV	4 kV	4 kV	6 kV	6 kV	6 kV	8 kV	8 kV	8 kV
Rated current	24 A	24 A	24 A	24 A	24 A	24 A	24 A	24 A	24 A
Approvals per	UL 1059			UL 1059			UL 1059		
Use Group	B	C	D	B	C	D	B	C	D
Rated voltage	300 V	-	300 V	300 V	-	300 V	300 V	-	300 V
Rated current	10 A	-	10 A	10 A	-	10 A	10 A	-	10 A
Approvals per	CSA			CSA			CSA		
Use Group	B	C	D	B	C	D	B	C	D
Rated voltage	300 V	-	300 V	300 V	-	300 V	300 V	-	300 V
Rated current	10 A	-	10 A	10 A	-	10 A	10 A	-	10 A

Connection Data	
Connection technology	PUSH WIRE®
Strip length	10 ... 12 mm / 0.39 ... 0.47 inch
Conductor entry angle to the PCB	45°
Solid conductor	0.5 ... 2.5 mm <sup>2</sup> / 20 ... 12 AWG
Fine-stranded conductor with ferrule with plastic collar	0.5 ... 1.5 mm <sup>2</sup>
Fine-stranded conductor with ferrule without plastic collar	0.5 ... 1.5 mm <sup>2</sup>
Note (conductor cross-section)	12 AWG: THHN, THWN

Material Data	
Material group	I
Insulating material	Polyamide 66 (PA 66)
Flammability class per UL94	V0
Clamping spring material	Chrome nickel spring steel (CrNi)
Contact material	Electrolytic copper (Ecu)
Contact plating	Tin-plated

Mechanical Data	
Solder pin arrangement	Over the entire terminal strip, in line
Solder pin length	4 mm
Solder pin dimensions	0.5 x 0.75 mm
Drilled hole diameter (tolerance)	1.1 <sup>(+0.1)</sup> mm

Environmental Requirements	
Limit temperature range	-60 ... +105 °C

Ferrule	Page 847
---------	----------

Marking	Page 833
---------	----------

Testing and measuring	Page 854
-----------------------	----------

Tools	Page 838
-------	----------

Additional information, see "Technical Section"
---

Approvals and corresponding ratings, visit <a href="http://www.wago.com">www.wago.com</a>
---

# PCB Terminal Block ▶ 254 Series

PUSH WIRE® ▶ Actuation type: Operating tool ▶ Terminal strip ▶ 2.5 mm<sup>2</sup> ▶ Color: gray

Pin spacing: 5/5.08 mm / 0.197/0.2 inch

Pin spacing: 7.5/7.62 mm / 0.295/0.3 inch

Pin spacing: 10/10.16 mm / 0.394/0.4 inch

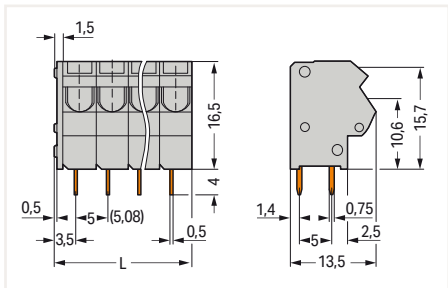


1

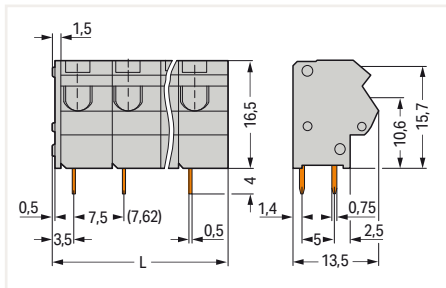
Pole No.	Item No.	PU (SPU)
2	254-452	420 (105)
3	254-453	280 (70)
4	254-454	220 (55)
5	254-455	180 (45)
6	254-456	140 (35)
7	254-457	120 (30)
8	254-458	100 (25)
9	254-459	100 (25)
10	254-460	80 (20)
12	254-462	80 (20)
16	254-466	60 (15)
24	254-474	40 (10)

Pole No.	Item No.	PU (SPU)
2	254-552	280 (70)
3	254-553	200 (50)
4	254-554	140 (35)
5	254-555	120 (30)
6	254-556	100 (25)
7	254-557	80 (20)
8	254-558	80 (20)
9	254-559	60 (15)
10	254-560	60 (15)
12	254-562	40 (10)

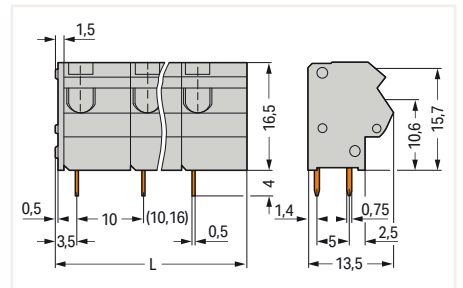
Pole No.	Item No.	PU (SPU)
2	254-652	200 (50)
3	254-653	160 (40)
4	254-654	100 (25)
5	254-655	80 (20)
6	254-656	80 (20)
7	254-657	60 (15)
8	254-658	60 (15)
9	254-659	40 (10)
10	254-660	40 (10)
12	254-662	40 (10)



L = (pole no. x pin spacing) + 1.5 mm



L = (pole no. x pin spacing) + 1.5 mm



L = (pole no. x pin spacing) + 1.5 mm

PU = Packaging Unit; SPU = Subpackaging Unit; Dimensions in mm

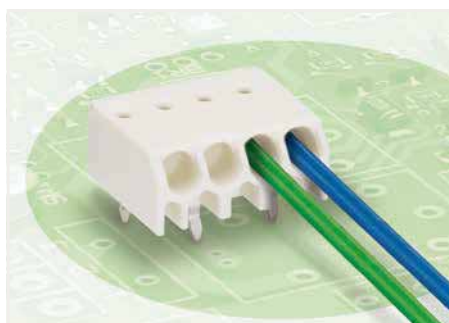
Other variants can be requested via the WAGO sales department or, if necessary, configured at <https://configurator.wago.com/>:

- Other pole numbers
- Other colors
- Mixed-color terminal strips
- Direct marking
- Versions for Ex i

**PCB Terminal Block ▶ 744 Series**

**PUSH WIRE® ▶ Actuation type: Operating tool ▶ Terminal strip ▶ 1.5 mm<sup>2</sup> ▶ Pin spacing: 3.5 mm (0.138 inch) ▶ Color: white**

1



- PCB terminal blocks with PUSH WIRE® connection
- Push-in termination of solid conductors – low insertion forces
- Just 6.6 mm tall
- Conductor removal via disconnection tool or by twist and pull

Electrical Data			
Pin spacing	3.5 mm (0.138 inch)		
Ratings per	IEC/EN 60664-1		
Overvoltage category	III	III	II
Pollution degree	3	2	2
Rated voltage	250 V	320 V	630 V
Rated impulse voltage	4 kV	4 kV	4 kV
Rated current	2 A	2 A	2 A
Approvals per	UL 1059		
Use Group	B	C	D
Rated voltage	300 V	-	300 V
Rated current	6 A	-	6 A
Connection Data			
Connection technology	PUSH WIRE®		
Strip length	8 ... 9 mm / 0.31 ... 0.35 inch		
Conductor entry angle to the PCB	0°		
Solid conductor	0.5 ... 1.5 mm <sup>2</sup> / 20 ... 16 AWG		
Material Data			
Material group	I		
Insulating material	Polyamide 66 (PA 66)		
Flammability class per UL94	V0		
Contact material	Copper alloy		
Contact plating	Tin-plated		
Mechanical Data			
Solder pin arrangement	Over the entire terminal strip, staggered		
Solder pin dimensions	0.35 x 0.9 mm		
Drilled hole diameter (tolerance)	1.1 <sup>(±0.1)</sup> mm		
Environmental Requirements			
Limit temperature range	-60 ... +105 °C		

Tools Page 840

Additional information, see "Technical Section"

Approvals and corresponding ratings, visit [www.wago.com](http://www.wago.com)



### PCB Terminal Block ▶ 744 Series

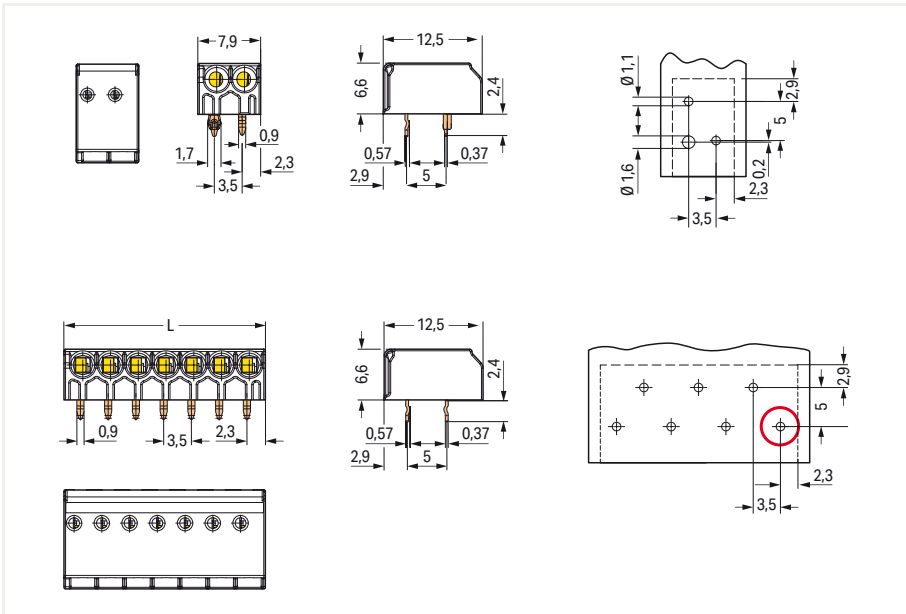
PUSH WIRE® ▶ Actuation type: Operating tool ▶ Terminal strip ▶ 1.5 mm<sup>2</sup> ▶ Pin spacing: 3.5 mm (0.138 inch) ▶ Color: white

Solder pin length: 2.4 mm

1



Pole No.	Item No.	PU
2	744-392/364-000	1500
3	744-303/364-000	1000
4	744-304/364-000	800
6	744-306/364-000	500
7	744-307/364-000	300
8	744-308/364-000	300
10	744-310/364-000	200



PU = Packaging Unit; SPU = Subpackaging Unit; Dimensions in mm

# PCB Terminal Block ▶ 744 Series

PUSH WIRE® ▶ Actuation type: Operating tool ▶ Terminal strip ▶ 1.5 mm<sup>2</sup> ▶ Pin spacing: 3.5 mm (0.138 inch) ▶ Color: white

Solder pin length: 3.5 mm

1



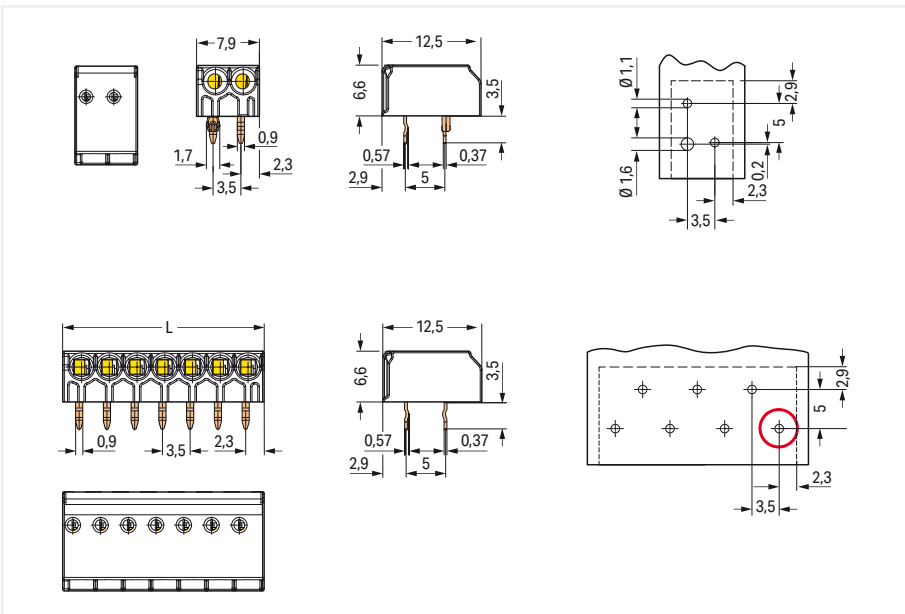
Pole No.	Item No.	PU
2	744-392	1500
3	744-303	1000
4	744-304	800
6	744-306	500
7	744-307	300
8	744-308	300
10	744-310	200



Inserting a conductor via push-in termination.



Removing a conductor via 1.0 mm Ø disconnection tool (206-B40).



2-pole version with additional anti-rotating pin  
 For 3 poles and more, L = (pole no. x pin spacing) + 0.9 mm  
 First solder pin, front right (red circle)



## PCB Terminal Block ▶ 735 Series

PUSH WIRE® ▶ Actuation type: Push-button ▶ 1.5 mm<sup>2</sup>

1



- Compact PCB terminal blocks with push-buttons and PUSH WIRE® connection
- Top-of-unit, push-button actuation and conductor termination save space on the PCB
- Push-in termination of solid conductors
- Terminal blocks can be arranged side-by-side without loss of poles.

Electrical Data						
Color	orange			gray		
Pin spacing	3.81 mm / 0.15 inch			5 mm / 0.197 inch		
Ratings per	IEC/EN 60664-1			IEC/EN 60664-1		
Overtoltage category	III	III	II	III	III	II
Pollution degree	3	2	2	3	2	2
Rated voltage	250 V	320 V	630 V	320 V	320 V	630 V
Rated impulse voltage	4 kV	4 kV	4 kV	4 kV	4 kV	4 kV
Rated current	10 A	10 A	10 A	10 A	10 A	10 A
Approvals per	UL 1059			UL 1059		
Use Group	B	C	D	B	C	D
Rated voltage	300 V	-	300 V	300 V	-	300 V
Rated current	10 A	-	10 A	10 A	-	10 A
Approvals per	CSA			CSA		
Use Group	B	C	D	B	C	D
Rated voltage	300 V	-	300 V	300 V	-	300 V
Rated current	10 A	-	10 A	10 A	-	10 A
Connection Data						
Connection technology	PUSH WIRE®					
Strip length	8 ... 9 mm / 0.31 ... 0.35 inch					
Conductor entry angle to the PCB	90°					
Solid conductor	0.5 ... 1.5 mm <sup>2</sup> / 20 ... 16 AWG					
Fine-stranded conductor with ferrule with plastic collar	0.5 ... 1 mm <sup>2</sup>					
Fine-stranded conductor with ferrule without plastic collar	0.5 ... 1 mm <sup>2</sup>					
Material Data						
Material group	I					
Insulating material	Polyamide 66 (PA 66)					
Flammability class per UL94	V0					
Clamping spring material	Chrome nickel spring steel (CrNi)					
Contact material	Electrolytic copper (Ecu)					
Contact plating	Tin-plated					
Mechanical Data						
Solder pin arrangement	Over the entire terminal strip, in line					
Solder pin length	3.5 mm					
Solder pin dimensions	0.4 x 0.9 mm					
Drilled hole diameter (tolerance)	1 <sup>(±0.1)</sup> mm					
Environmental Requirements						
Limit temperature range	-60 ... +105 °C					

Ferrule	Page 847
---------	----------

Marking	Page 832
---------	----------

Testing and measuring	Page 854
-----------------------	----------

Tools	Page 838
-------	----------

Additional information, see "Technical Section"
---

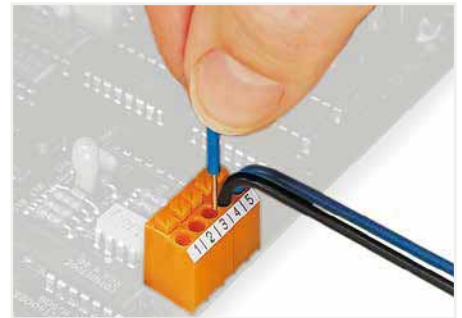
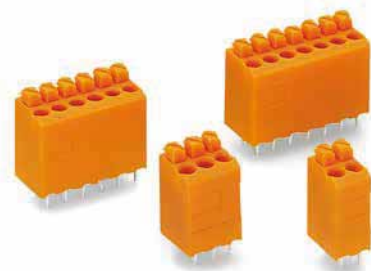
Approvals and corresponding ratings, visit <a href="http://www.wago.com">www.wago.com</a>
---

# PCB Terminal Block ▶ 735 Series

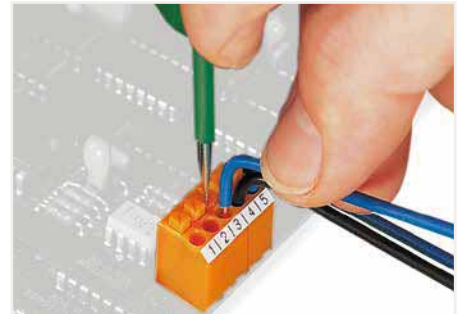
## PUSH WIRE® ▶ Actuation type: Push-button ▶ 1.5 mm<sup>2</sup>

Pin spacing: 3.81 mm / 0.15 inch ▶ Color: orange

Pin spacing: 5 mm / 0.197 inch ▶ Color: gray



Inserting a solid conductor via push-in termination.



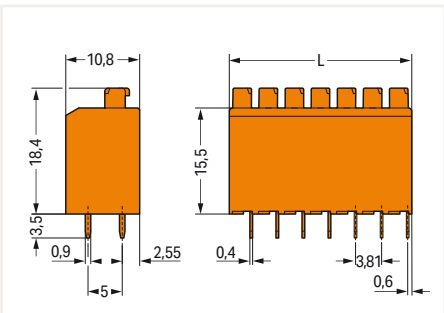
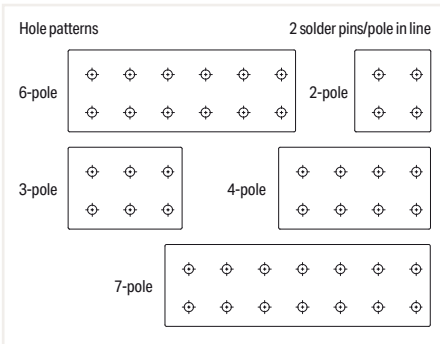
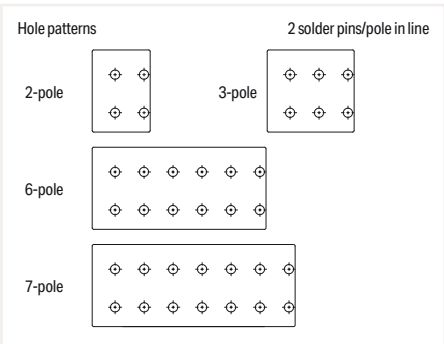
Removing a conductor via push-button.



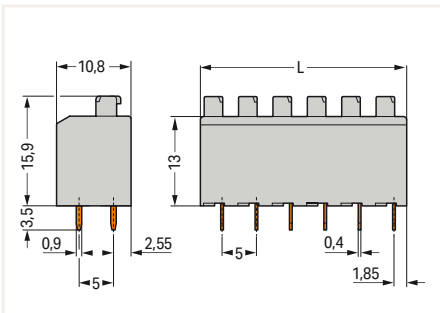
Terminal blocks can be arranged side-by-side without loss of poles.

Pole No.	Item No.	PU (SPU)
2	735-122	660 (165)
3	735-123	440 (110)
6	735-126	220 (55)
7	735-127	180 (45)

Pole No.	Item No.	PU (SPU)
2	735-302	500 (125)
3	735-303	320 (80)
4	735-304	240 (60)
6	735-306	160 (40)
7	735-307	140 (35)



L (2-pole): 7.62 mm, L (3-pole): 11.43 mm  
 L (6-pole): 22.86 mm, L (7-pole): 26.67 mm



L (2-pole): 10 mm, L (3-pole): 15 mm  
 L (4-pole): 20 mm, L (6-pole): 30 mm  
 L (7-pole): 35 mm

PU = Packaging Unit; SPU = Subpackaging Unit; Dimensions in mm

Other variants can be requested via the WAGO sales department or, if necessary, configured at <https://configurator.wago.com/>:

- Direct marking

## PCB Terminal Block ▶ 735 Series

PUSH WIRE® ▶ Actuation type: Push-button ▶ Compact terminal block variant: Spacer width: 1 x pin spacing ▶ 1.5 mm<sup>2</sup>

1



- Compact PCB terminal blocks with push-buttons and PUSH WIRE® connection
- Top-of-unit, push-button actuation and conductor termination save space on the PCB
- Push-in termination of solid conductors
- Terminal blocks can be arranged side-by-side without loss of poles.

Electrical Data						
Color	orange			gray		
Pin spacing	3.81 mm / 0.15 inch			5 mm / 0.197 inch		
Ratings per	IEC/EN 60664-1			IEC/EN 60664-1		
Overvoltage category	III	III	II	III	III	II
Pollution degree	3	2	2	3	2	2
Rated voltage	500 V	630 V	1000 V	320 V	630 V	1000 V
Rated impulse voltage	6 kV	6 kV	6 kV	4 kV	8 kV	8 kV
Rated current	10 A	10 A	10 A	10 A	10 A	10 A
Approvals per	UL 1059			UL 1059		
Use Group	B	C	D	B	C	D
Rated voltage	300 V	-	300 V	300 V	-	300 V
Rated current	10 A	-	10 A	10 A	-	10 A
Approvals per	CSA			CSA		
Use Group	B	C	D	B	C	D
Rated voltage	300 V	-	300 V	300 V	-	300 V
Rated current	10 A	-	10 A	10 A	-	10 A
Connection Data						
Connection technology	PUSH WIRE®					
Strip length	8 ... 9 mm / 0.31 ... 0.35 inch					
Conductor entry angle to the PCB	90°					
Solid conductor	0.5 ... 1.5 mm <sup>2</sup> / 20 ... 16 AWG					
Fine-stranded conductor with ferrule with plastic collar	0.5 ... 1 mm <sup>2</sup>					
Fine-stranded conductor with ferrule without plastic collar	0.5 ... 1 mm <sup>2</sup>					
Material Data						
Material group	I					
Insulating material	Polyamide 66 (PA 66)					
Flammability class per UL94	V0					
Clamping spring material	Chrome nickel spring steel (CrNi)					
Contact material	Electrolytic copper (Ecu)					
Contact plating	Tin-plated					
Mechanical Data						
Solder pin arrangement	Over the entire terminal strip, in line					
Solder pin length	3.5 mm					
Solder pin dimensions	0.4 x 0.9 mm					
Drilled hole diameter (tolerance)	1 <sup>(±0.1)</sup> mm					
Environmental Requirements						
Limit temperature range	-60 ... +105 °C					

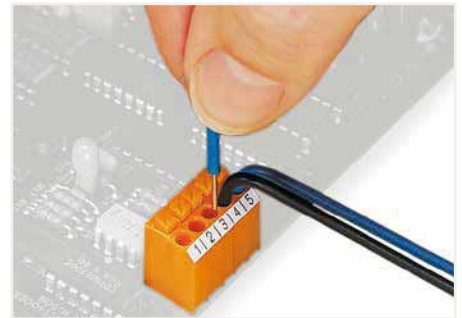
Ferrule	Page 847
Marking	Page 832
Testing and measuring	Page 854
Tools	Page 838
Additional information, see "Technical Section"	
Approvals and corresponding ratings, visit <a href="http://www.wago.com">www.wago.com</a>	

# PCB Terminal Block ▶ 735 Series

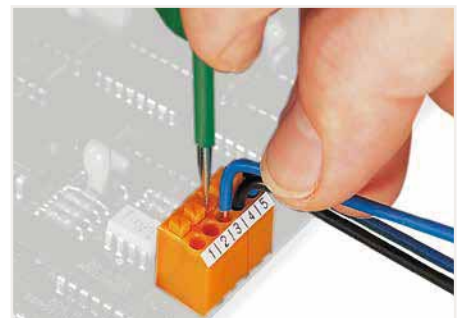
PUSH WIRE® ▶ Actuation type: Push-button ▶ Compact terminal block variant: Spacer width: 1 x pin spacing ▶ 1 x pin spacing ▶ 1.5 mm<sup>2</sup>

Pin spacing: 3.81 mm / 0.15 inch ▶ Color: orange

Pin spacing: 5 mm / 0.197 inch ▶ Color: gray



Inserting a solid conductor via push-in termination.



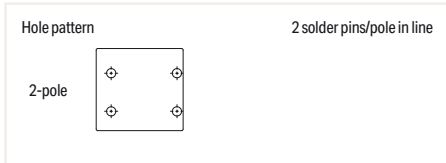
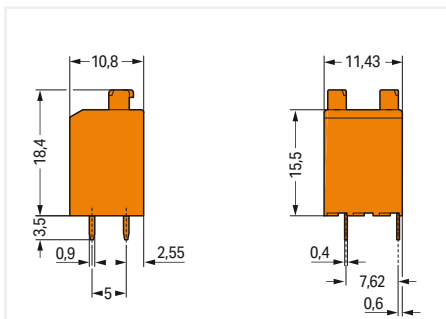
Removing a conductor via push-button.



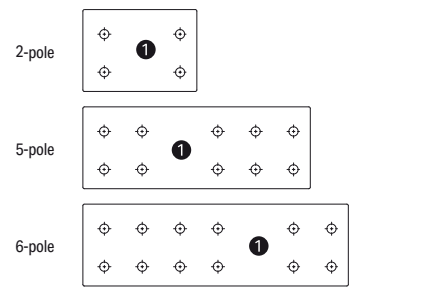
Terminal blocks can be arranged side-by-side without loss of poles.

Color	Pole No.	Item No.	PU (SPU)
orange	2	735-123/001-000	440 (110)

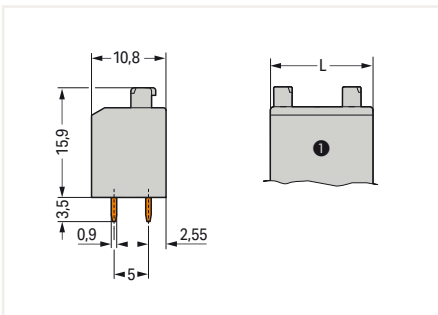
Pole No.	Item No.	PU (SPU)
2	735-303/001-000	320 (80)
5	735-306/003-000	160 (40)
6	735-307/001-000	140 (35)



Hole patterns 2 solder pins/pole in line



(1) Spacer: 1 x pin spacing



L (2-pole): 15 mm  
L (5-pole): 30 mm  
L (6-pole): 35 mm

PU = Packaging Unit; SPU = Subpackaging Unit; Dimensions in mm

Other variants can be requested via the WAGO sales department or, if necessary, configured at <https://configurator.wago.com/>:

- Direct marking

## PCB Terminal Block ▶ 735 Series

PUSH WIRE® ▶ Actuation type: Push-button ▶ Compact terminal block variant: Spacer width: 2 x pin spacing ▶ 1.5 mm<sup>2</sup>

1



- Compact PCB terminal blocks with push-buttons and PUSH WIRE® connection
- Top-of-unit, push-button actuation and conductor termination save space on the PCB
- Push-in termination of solid conductors
- Terminal blocks can be arranged side-by-side without loss of poles.

Electrical Data						
Color	orange			gray		
Pin spacing	3.81 mm / 0.15 inch			5 mm / 0.197 inch		
Ratings per	IEC/EN 60664-1			IEC/EN 60664-1		
Overvoltage category	III	III	II	III	III	II
Pollution degree	3	2	2	3	2	2
Rated voltage	250 V	320 V	630 V	320 V	320 V	630 V
Rated impulse voltage	4 kV	4 kV	4 kV	4 kV	4 kV	4 kV
Rated current	10 A	10 A	10 A	10 A	10 A	10 A
Approvals per	UL 1059			UL 1059		
Use Group	B	C	D	B	C	D
Rated voltage	300 V	-	300 V	300 V	-	300 V
Rated current	10 A	-	10 A	10 A	-	10 A
Approvals per	CSA			CSA		
Use Group	B	C	D	B	C	D
Rated voltage	300 V	-	300 V	300 V	-	300 V
Rated current	10 A	-	10 A	10 A	-	10 A
Connection Data						
Connection technology	PUSH WIRE®					
Strip length	8 ... 9 mm / 0.31 ... 0.35 inch					
Conductor entry angle to the PCB	90°					
Solid conductor	0.5 ... 1.5 mm <sup>2</sup> / 20 ... 16 AWG					
Fine-stranded conductor with ferrule with plastic collar	0.5 ... 1 mm <sup>2</sup>					
Fine-stranded conductor with ferrule without plastic collar	0.5 ... 1 mm <sup>2</sup>					
Material Data						
Material group	I					
Insulating material	Polyamide 66 (PA 66)					
Flammability class per UL94	V0					
Clamping spring material	Chrome nickel spring steel (CrNi)					
Contact material	Electrolytic copper (Ecu)					
Contact plating	Tin-plated					
Mechanical Data						
Solder pin arrangement	Over the entire terminal strip, in line					
Solder pin length	3.5 mm					
Solder pin dimensions	0.4 x 0.9 mm					
Drilled hole diameter (tolerance)	1 <sup>(±0.1)</sup> mm					
Environmental Requirements						
Limit temperature range	-60 ... +105 °C					

Ferrule	Page 847
Marking	Page 832
Testing and measuring	Page 854
Tools	Page 838
Additional information, see "Technical Section"	
Approvals and corresponding ratings, visit <a href="http://www.wago.com">www.wago.com</a>	

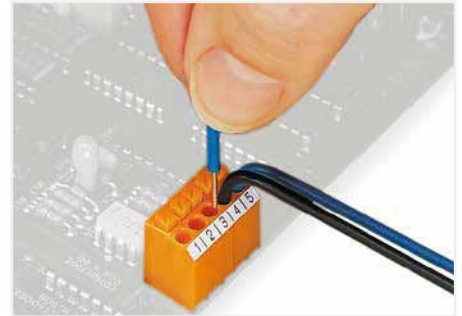
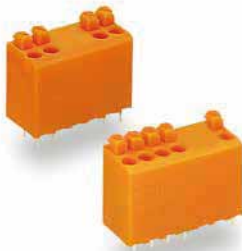


# PCB Terminal Block ▶ 735 Series

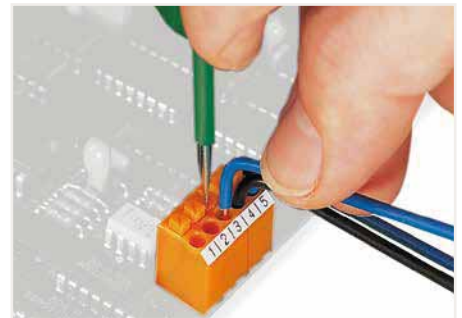
PUSH WIRE® ▶ Actuation type: Push-button ▶ Compact terminal block variant: Spacer width: 2 x pin spacing ▶ 1.5 mm<sup>2</sup>

Pin spacing: 3.81 mm / 0.15 inch ▶ Color: orange

Pin spacing: 5 mm / 0.197 inch ▶ Color: gray

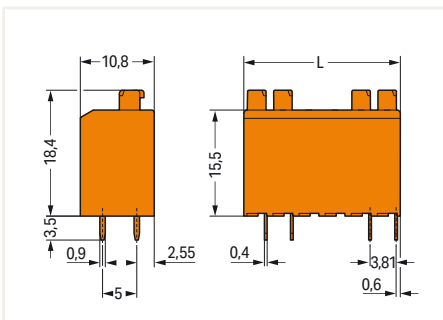


Inserting a solid conductor via push-in termination.

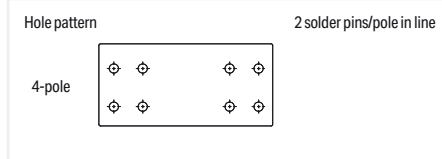
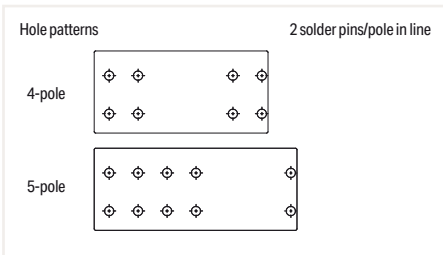
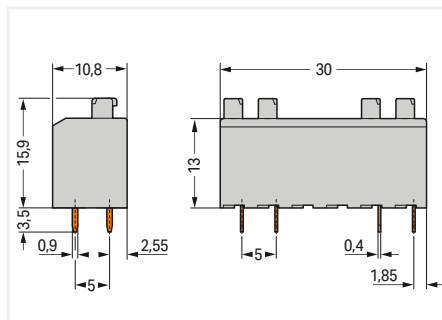


Removing a conductor via push-button.

Pole No.	Item No.	PU (SPU)	Color	Pole No.	Item No.	PU (SPU)
4	735-126/001-000	220 (55)	● gray	4	735-306/001-000	160 (40)
5	735-127/001-000	180 (45)				



L (4-pole): 22.86 mm  
L (5-pole): 26.67 mm



Terminal blocks can be arranged side-by-side without loss of poles.

PU = Packaging Unit; SPU = Subpackaging Unit; Dimensions in mm

Other variants can be requested via the WAGO sales department or, if necessary, configured at <https://configurator.wago.com/>:

- Direct marking

## PCB Terminal Block ▶ 735 Series

PUSH WIRE® ▶ Actuation type: Push-button ▶ Compact terminal block variant: Spacer width: 3 x pin spacing ▶ 1.5 mm<sup>2</sup> ▶ Pin spacing: 5 mm / 0.197 inch ▶ Color: gray

1



- Compact PCB terminal blocks with push-buttons and PUSH WIRE® connection
- Top-of-unit, push-button actuation and conductor termination save space on the PCB
- Push-in termination of solid conductors
- Terminal blocks can be arranged side-by-side without loss of poles.

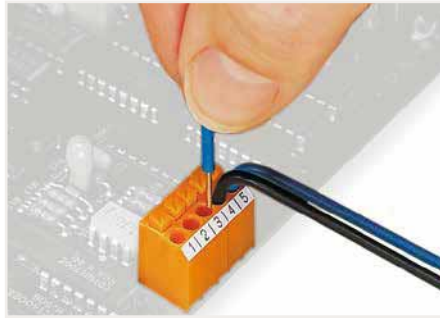
Electrical Data			
Pin spacing	5 mm / 0.197 inch		
Ratings per	IEC/EN 60664-1		
Overvoltage category	III	III	II
Pollution degree	3	2	2
Rated voltage	320 V	320 V	630 V
Rated impulse voltage	4 kV	4 kV	4 kV
Rated current	10 A	10 A	10 A
Approvals per	UL 1059		
Use Group	B	C	D
Rated voltage	300 V	-	300 V
Rated current	10 A	-	10 A
Approvals per	CSA		
Use Group	B	C	D
Rated voltage	300 V	-	300 V
Rated current	10 A	-	10 A
Connection Data			
Connection technology	PUSH WIRE®		
Strip length	8 ... 9 mm / 0.31 ... 0.35 inch		
Conductor entry angle to the PCB	90°		
Solid conductor	0.5 ... 1.5 mm <sup>2</sup> / 20 ... 16 AWG		
Fine-stranded conductor with ferrule with plastic collar	0.5 ... 1 mm <sup>2</sup>		
Fine-stranded conductor with ferrule without plastic collar	0.5 ... 1 mm <sup>2</sup>		
Material Data			
Material group	I		
Insulating material	Polyamide 66 (PA 66)		
Flammability class per UL94	V0		
Clamping spring material	Chrome nickel spring steel (CrNi)		
Contact material	Electrolytic copper (Ecu)		
Contact plating	Tin-plated		
Mechanical Data			
Solder pin arrangement	Over the entire terminal strip, in line		
Solder pin length	3.5 mm		
Solder pin dimensions	0.4 x 0.9 mm		
Drilled hole diameter (tolerance)	1 <sup>(+0.1)</sup> mm		
Environmental Requirements			
Limit temperature range	-60 ... +105 °C		

Ferrule	Page 847
Marking	Page 833
Testing and measuring	Page 854
Tools	Page 838
Additional information, see "Technical Section"	
Approvals and corresponding ratings, visit <a href="http://www.wago.com">www.wago.com</a>	

## PCB Terminal Block ▶ 735 Series

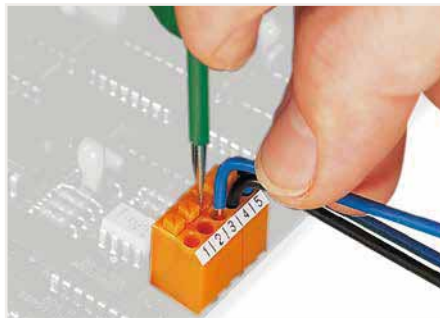
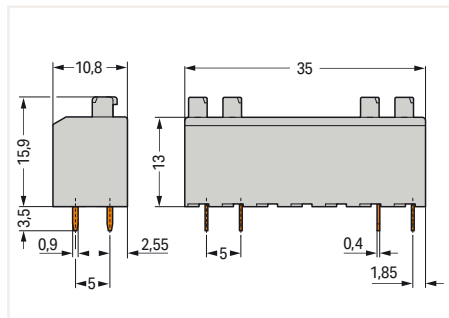
PUSH WIRE® ▶ Actuation type: Push-button ▶ Compact terminal block variant: Spacer width: 3 x pin spacing ▶ 1.5 mm<sup>2</sup> ▶ Pin spacing: 5 mm / 0.197 inch ▶ Color: gray

1

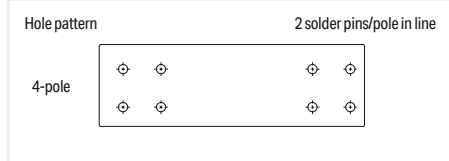


Inserting a solid conductor via push-in termination.

Color	Pole No.	Item No.	PU (SPU)
● gray	4	735-307/002-000	140 (35)



Removing a conductor via push-button.



Terminal blocks can be arranged side-by-side without loss of poles.

PU = Packaging Unit; SPU = Subpackaging Unit; Dimensions in mm

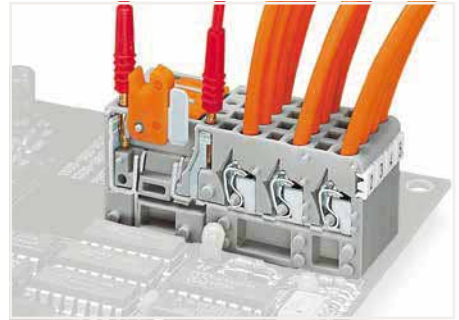
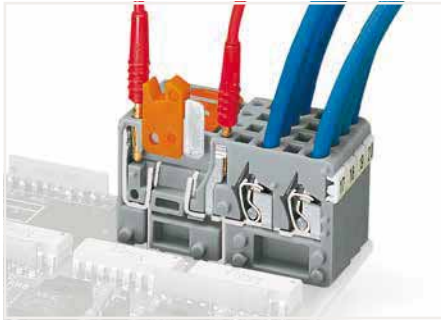
Other variants can be requested via the WAGO sales department or, if necessary, configured at <https://configurator.wago.com/>:

- Direct marking

# 742 Series

## Description and Installation

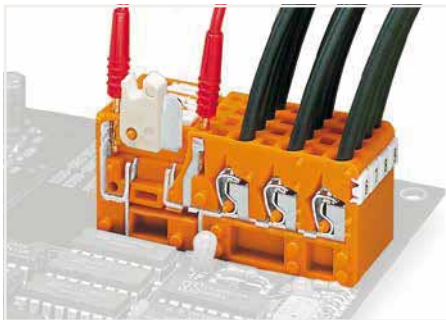
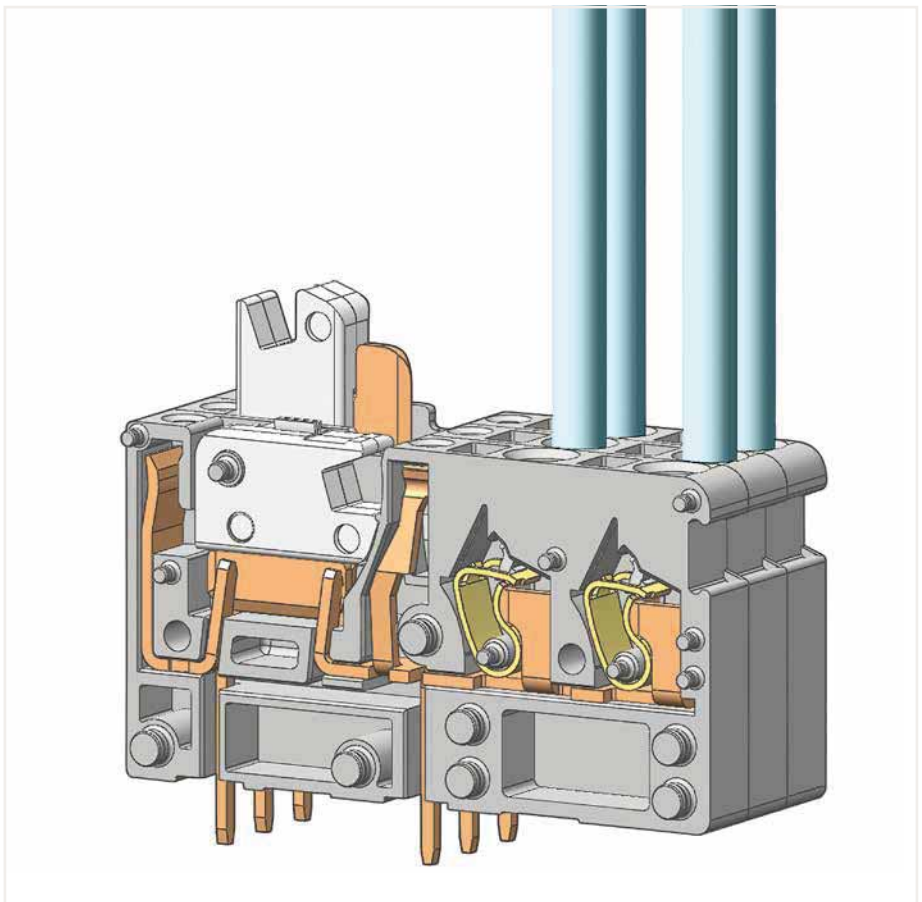
1



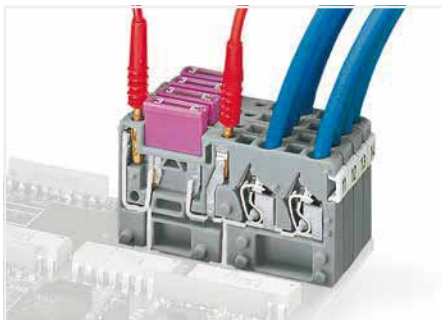
Testing all PCB disconnect terminal blocks via 2 mm or 2.3 mm Ø test plugs.



Opening a knife disconnect.

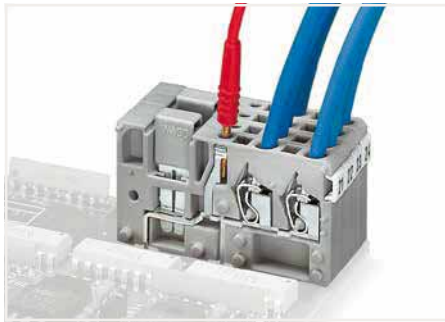


Distributing potentials via 3-conductor terminal blocks.

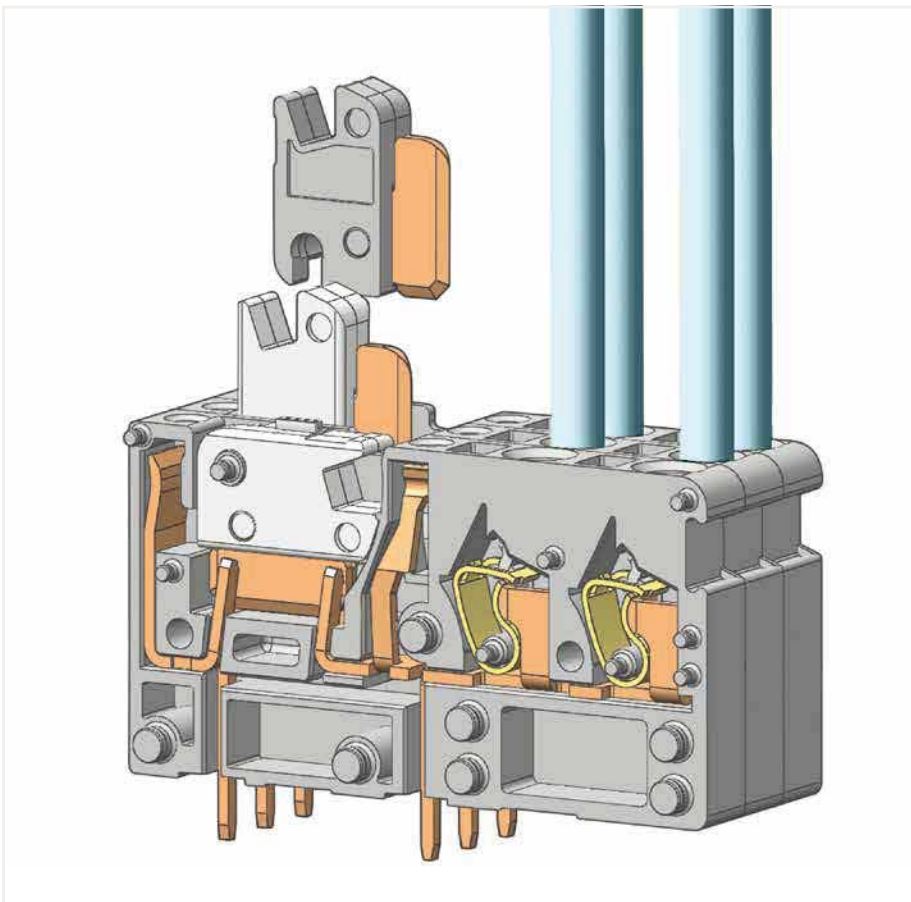


Testing all PCB fuse terminal blocks via 2 mm or 2.3 mm Ø test plugs.

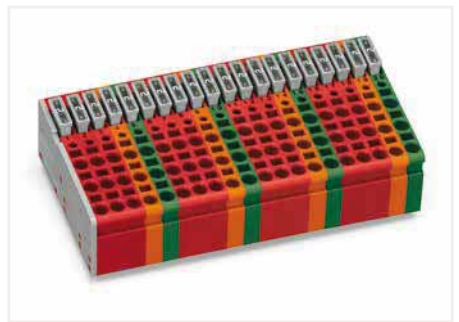
# 742 Series Description and Installation



Testing all PCB terminal blocks via 2 mm or 2.3 mm Ø test plugs.



Disconnect terminal blocks with removable knife disconnect are available upon request.



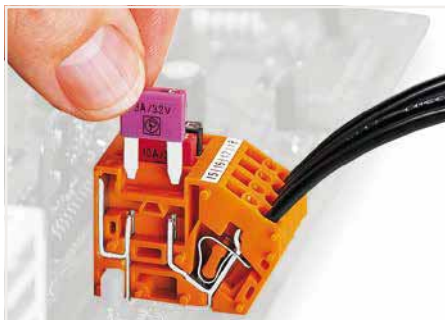
Mixed-color terminal strips are available upon request.



Mixed-color knife disconnect/test terminal strips are available upon request.



Commoning with adjacent jumpers – push jumpers down until fully inserted.



Inserting a fuse.



Custom PCB terminal strips are available upon request.

## Modular PCB Terminal Block ▶ 742 Series

Disconnect/test block ▶ CAGE CLAMP® ▶ Actuation type: Operating tool ▶ 2.5 mm<sup>2</sup> ▶ Pin spacing: 5 mm (0.197 inch) ▶ Color: gray

1



- Modular PCB terminal blocks with screwdriver-actuated CAGE CLAMP®
- Power circuit disconnection via knife disconnect, e.g., for regular testing and measuring
- Test sockets on both sides of knife disconnect for 2.0 mm or 2.3 mm Ø test plugs
- 2- and 3-conductor PCB terminal blocks for distributing potentials independently of PCB
- Versions with removable knife disconnects available upon request

Electrical Data						
Pin spacing	5 mm (0.197 inch)			5 mm (0.197 inch)		
Number of connection points	1			2/3		
Conductor entry angle to the PCB	60°			90°		
Ratings per	IEC/EN 60664-1			IEC/EN 60664-1		
Overvoltage category	III	III	II	III	III	II
Pollution degree	3	2	2	3	2	2
Rated voltage	320 V	320 V	630 V	320 V	320 V	630 V
Rated impulse voltage	4 kV	4 kV	4 kV	4 kV	4 kV	4 kV
Rated current	16 A	16 A	16 A	16 A	16 A	16 A
Approvals per	UL 1059			UL 1059		
Use Group	B	C	D	B	C	D
Rated voltage	300 V	-	300 V	300 V	-	300 V
Rated current	10 A	-	10 A	10 A	-	10 A
Approvals per	CSA			CSA		
Use Group	B	C	D	B	C	D
Rated voltage	300 V	-	300 V	300 V	-	300 V
Rated current	16 A	-	10 A	10 A	-	10 A

Connection Data	
Connection technology	CAGE CLAMP®
Strip length (No. of connection points: 1)	8 ... 9 mm / 0.31 ... 0.35 inch
Strip length (No. of connection points: 2/3)	6 ... 7 mm / 0.24 ... 0.28 inch
Solid conductor	0.08 ... 2.5 mm <sup>2</sup> / 28 ... 12 AWG
Fine-stranded conductor	0.08 ... 2.5 mm <sup>2</sup> / 28 ... 12 AWG
Fine-stranded conductor with ferrule with plastic collar	0.25 ... 1.5 mm <sup>2</sup>
Fine-stranded conductor with ferrule without plastic collar	0.25 ... 1.5 mm <sup>2</sup>
Note (conductor cross-section)	12 AWG: THHN, THWN

Material Data	
Material group	I
Insulating material	Polyamide 66 (PA 66)
Flammability class per UL94	V0
Clamping spring material	Chrome nickel spring steel (CrNi)
Contact material	Electrolytic copper (Ecu)
Contact plating	Tin-plated

Mechanical Data	
Solder pin arrangement	within the terminal block, in line
Solder pin length	4 mm
Solder pin dimensions	1 x 0.8 mm
Drilled hole diameter (tolerance)	1.4 <sup>(+0.1)</sup> mm

Environmental Requirements	
Limit temperature range	-60 ... +105 °C

Ferrule	Page 847
Marking	Page 830
Testing and measuring	Page 854
Tools	Page 838
Additional information, see "Technical Section"	
Approvals and corresponding ratings, visit <a href="http://www.wago.com">www.wago.com</a>	

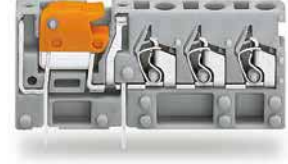
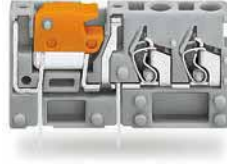
## Modular PCB Terminal Block ▶ 742 Series

Disconnect/test block ▶ CAGE CLAMP® ▶ Actuation type: Operating tool ▶ 2.5 mm<sup>2</sup> ▶ Pin spacing: 5 mm (0.197 inch) ▶ Color: gray

Conductor entry angle to the PCB: 60° ▶ Number of connection points: 1

Conductor entry angle to the PCB: 90° ▶ Number of connection points: 2

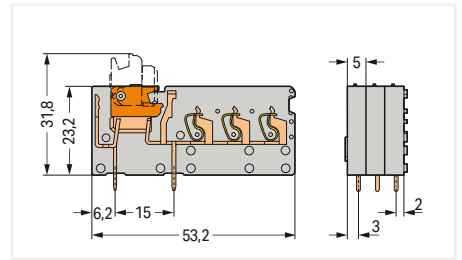
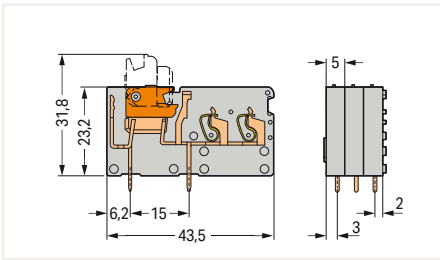
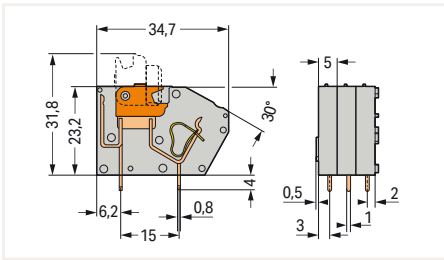
Conductor entry angle to the PCB: 90° ▶ Number of connection points: 3



Color	Item No.	PU (SPU)
● gray	742-101	384 (96)

Color	Item No.	PU
● gray	742-151	200

Color	Item No.	PU
● gray	742-153	100



Item-Specific Accessories

Item-Specific Accessories

Item-Specific Accessories



End plate; 1.5 mm; snap-on type

Color	Item No.	PU (SPU)
● gray	742-100	300 (100)

End plate; 1.5 mm; snap-on type

Color	Item No.	PU (SPU)
● gray	742-150	300 (100)

End plate; 1.5 mm; snap-on type

Color	Item No.	PU (SPU)
● gray	742-152	300 (100)

PU = Packaging Unit; SPU = Subpackaging Unit; Dimensions in mm

## Modular PCB Terminal Block ▶ 742 Series

Disconnect/test block ▶ CAGE CLAMP® ▶ Actuation type: Operating tool ▶ 2.5 mm<sup>2</sup> ▶ Pin spacing: 5.08 mm (0.2 inch) ▶ Color: orange

1



- Modular PCB terminal blocks with screwdriver-actuated CAGE CLAMP®
- Power circuit disconnection via knife disconnect, e.g., for regular testing and measuring
- Test sockets on both sides of knife disconnect for 2.0 mm or 2.3 mm Ø test plugs
- 2- and 3-conductor PCB terminal blocks for distributing potentials independently of PCB
- Versions with removable knife disconnects available upon request

Electrical Data						
Pin spacing	5.08 mm (0.2 inch)			5.08 mm (0.2 inch)		
Number of connection points	1			2 / 3		
Conductor entry angle to the PCB	60°			90°		
Ratings per	IEC/EN 60664-1			IEC/EN 60664-1		
Overvoltage category	III	III	II	III	III	II
Pollution degree	3	2	2	3	2	2
Rated voltage	320 V	320 V	630 V	320 V	320 V	630 V
Rated impulse voltage	4 kV	4 kV	4 kV	4 kV	4 kV	4 kV
Rated current	16 A	16 A	16 A	16 A	16 A	16 A
Approvals per	UL 1059			UL 1059		
Use Group	B	C	D	B	C	D
Rated voltage	300 V	-	300 V	300 V	-	300 V
Rated current	10 A	-	10 A	10 A	-	10 A
Approvals per	CSA			CSA		
Use Group	B	C	D	B	C	D
Rated voltage	300 V	-	300 V	300 V	-	300 V
Rated current	16 A	-	10 A	10 A	-	10 A

Connection Data	
Connection technology	CAGE CLAMP®
Strip length (No. of connection points: 1)	8 ... 9 mm / 0.31 ... 0.35 inch
Strip length (No. of connection points: 2/3)	6 ... 7 mm / 0.24 ... 0.28 inch
Solid conductor	0.08 ... 2.5 mm <sup>2</sup> / 28 ... 12 AWG
Fine-stranded conductor	0.08 ... 2.5 mm <sup>2</sup> / 28 ... 12 AWG
Fine-stranded conductor with ferrule with plastic collar	0.25 ... 1.5 mm <sup>2</sup>
Fine-stranded conductor with ferrule without plastic collar	0.25 ... 1.5 mm <sup>2</sup>
Note (conductor cross-section)	12 AWG: THHN, THWN

Material Data	
Material group	I
Insulating material	Polyamide 66 (PA 66)
Flammability class per UL94	V0
Clamping spring material	Chrome nickel spring steel (CrNi)
Contact material	Electrolytic copper (Ecu)
Contact plating	Tin-plated

Mechanical Data	
Solder pin arrangement	within the terminal block, in line
Solder pin length	4 mm
Solder pin dimensions	1 x 0.8 mm
Drilled hole diameter (tolerance)	1.4 <sup>(+0.1)</sup> mm

Environmental Requirements	
Limit temperature range	-60 ... +105 °C

Ferrule	Page 847
Marking	Page 830
Testing and measuring	Page 854
Tools	Page 838
Additional information, see "Technical Section"	
Approvals and corresponding ratings, visit <a href="http://www.wago.com">www.wago.com</a>	



## Modular PCB Terminal Block ▶ 742 Series

Disconnect/test block ▶ CAGE CLAMP® ▶ Actuation type: Operating tool ▶ 2.5 mm<sup>2</sup> ▶ Pin spacing: 5.08 mm (0.2 inch) ▶ Color: orange

Conductor entry angle to the PCB: 60° ▶ Number of connection points: 1

Conductor entry angle to the PCB: 90° ▶ Number of connection points: 2

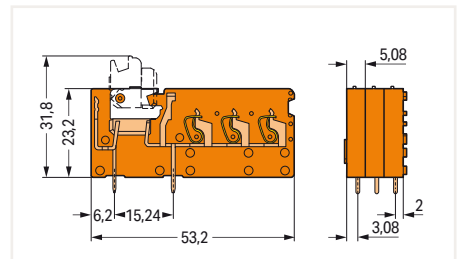
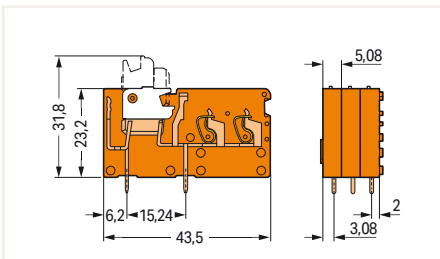
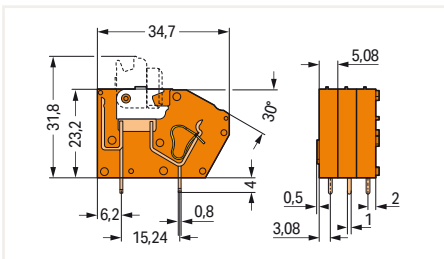
Conductor entry angle to the PCB: 90° ▶ Number of connection points: 3



Color	Item No.	PU (SPU)
orange	742-106	384 (96)

Color	Item No.	PU
orange	742-156	200

Color	Item No.	PU
orange	742-158	100



Item-Specific Accessories

Item-Specific Accessories

Item-Specific Accessories



End plate; 1.5 mm; snap-on type

Color	Item No.	PU (SPU)
orange	742-600	300 (100)

End plate; 1.5 mm; snap-on type

Color	Item No.	PU (SPU)
orange	742-650	300 (100)

End plate; 1.5 mm; snap-on type

Color	Item No.	PU (SPU)
orange	742-651	300 (100)

PU = Packaging Unit; SPU = Subpackaging Unit; Dimensions in mm

## Modular PCB Terminal Block ▶ 742 Series

Commoning option ▶ CAGE CLAMP® ▶ Actuation type: Operating tool ▶ 2.5 mm<sup>2</sup> ▶ Pin spacing: 5 mm (0.197 inch)

1



- Modular PCB terminal blocks with screwdriver-actuated CAGE CLAMP®
- Adjacent jumpers for multiplying and distributing potentials
- Disconnect and fuse PCB terminal blocks can be combined to form complex function assemblies
- Test socket for 2.0 mm and 2.3 mm Ø test plugs

Electrical Data						
Pin spacing	5 mm (0.197 inch)			5 mm (0.197 inch)		
Number of connection points	1			2		
Conductor entry angle to the PCB	60°			90°		
Ratings per	IEC/EN 60664-1			IEC/EN 60664-1		
Overvoltage category	III	III	II	III	III	II
Pollution degree	3	2	2	3	2	2
Rated voltage	250 V	320 V	630 V	320 V	320 V	630 V
Rated impulse voltage	4 kV	4 kV	4 kV	4 kV	4 kV	4 kV
Rated current	16 A	16 A	16 A	16 A	16 A	16 A
Approvals per	UL 1059			UL 1059		
Use Group	B	C	D	B	C	D
Rated voltage	300 V	-	300 V	300 V	-	300 V
Rated current	10 A	-	10 A	10 A	-	10 A
Approvals per	CSA			CSA		
Use Group	B	C	D	B	C	D
Rated voltage	300 V	-	300 V	300 V	-	300 V
Rated current	16 A	-	10 A	10 A	-	10 A

Connection Data	
Connection technology	CAGE CLAMP®
Strip length (No. of connection points: 1)	8 ... 9 mm / 0.31 ... 0.35 inch
Strip length (No. of connection points: 2/3)	6 ... 7 mm / 0.24 ... 0.28 inch
Solid conductor	0.08 ... 2.5 mm <sup>2</sup> / 28 ... 12 AWG
Fine-stranded conductor	0.08 ... 2.5 mm <sup>2</sup> / 28 ... 12 AWG
Fine-stranded conductor with ferrule with plastic collar	0.25 ... 1.5 mm <sup>2</sup>
Fine-stranded conductor with ferrule without plastic collar	0.25 ... 1.5 mm <sup>2</sup>
Note (conductor cross-section)	12 AWG: THHN, THWN

Material Data	
Material group	I
Insulating material	Polyamide 66 (PA 66)
Flammability class per UL94	V0
Clamping spring material	Chrome nickel spring steel (CrNi)
Contact material	Electrolytic copper (Ecu)
Contact plating	Tin-plated

Mechanical Data	
Solder pin arrangement	within the terminal block, in line
Solder pin length	4 mm
Solder pin dimensions	1 x 0.8 mm
Drilled hole diameter (tolerance)	1.4 <sup>(+0.1)</sup> mm

Environmental Requirements	
Limit temperature range	-60 ... +105 °C

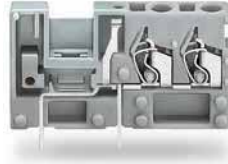
Ferrule	Page 847
Marking	Page 830
Testing and measuring	Page 854
Tools	Page 838
Additional information, see "Technical Section"	
Approvals and corresponding ratings, visit <a href="http://www.wago.com">www.wago.com</a>	

## Modular PCB Terminal Block ▶ 742 Series

Commoning option ▶ CAGE CLAMP® ▶ Actuation type: Operating tool ▶ 2.5 mm<sup>2</sup> ▶ Pin spacing: 5 mm (0.197 inch)

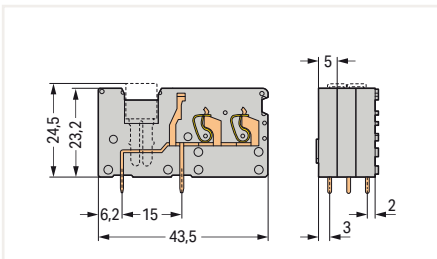
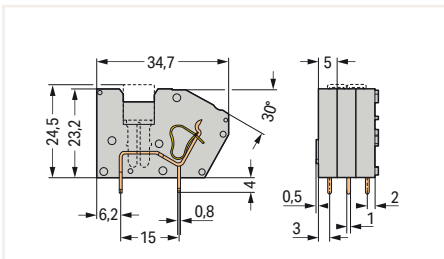
Conductor entry angle to the PCB: 60° ▶ Number of connection points: 1

Conductor entry angle to the PCB: 90° ▶ Number of connection points: 2



Color	Item No.	PU
gray	742-121	300
blue	742-124	300
green-yellow	742-128	300

Color	Item No.	PU
green-yellow, blue, gray	742-178	200
gray	742-171	200
blue	742-174	200



### Item-Specific Accessories

### Item-Specific Accessories



End plate; 1.5 mm; snap-on type

Color	Item No.	PU (SPU)
gray	742-100	300 (100)
blue	742-400	300 (100)
green-yellow	742-800	300 (100)

End plate; 1.5 mm; snap-on type

Color	Item No.	PU (SPU)
gray	742-150	300 (100)
blue	742-450	300 (100)
green-yellow	742-850	300 (100)

### Accessories; for all products on this page



Adjacent jumper, 5 mm, Rated current 24 A

Color	Item No.	PU (SPU)
gray	280-402	200 (25)

PU = Packaging Unit; SPU = Subpackaging Unit; Dimensions in mm

## Modular PCB Terminal Block ▶ 742 Series

Commoning option ▶ CAGE CLAMP® ▶ Actuation type: Operating tool ▶ 2.5 mm<sup>2</sup> ▶ Pin spacing: 5.08 mm (0.2 inch) ▶ Color: orange

1



- Modular PCB terminal blocks with screwdriver-actuated CAGE CLAMP®
- Adjacent jumpers for multiplying and distributing potentials
- Disconnect and fuse PCB terminal blocks can be combined to form complex function assemblies
- Test socket for 2.0 mm and 2.3 mm Ø test plugs

Electrical Data						
Pin spacing	5.08 mm (0.2 inch)			5.08 mm (0.2 inch)		
Number of connection points	1			2		
Conductor entry angle to the PCB	60°			90°		
Ratings per	IEC/EN 60664-1			IEC/EN 60664-1		
Overvoltage category	III	III	II	III	III	II
Pollution degree	3	2	2	3	2	2
Rated voltage	250 V	320 V	630 V	320 V	320 V	630 V
Rated impulse voltage	4 kV	4 kV	4 kV	4 kV	4 kV	4 kV
Rated current	16 A	16 A	16 A	16 A	16 A	16 A
Approvals per	UL 1059			UL 1059		
Use Group	B	C	D	B	C	D
Rated voltage	300 V	-	300 V	300 V	-	300 V
Rated current	10 A	-	10 A	10 A	-	10 A
Approvals per	CSA			CSA		
Use Group	B	C	D	B	C	D
Rated voltage	300 V	-	300 V	300 V	-	300 V
Rated current	16 A	-	10 A	10 A	-	10 A

Connection Data	
Connection technology	CAGE CLAMP®
Strip length (No. of connection points: 1)	8 ... 9 mm / 0.31 ... 0.35 inch
Strip length (No. of connection points: 2/3)	6 ... 7 mm / 0.24 ... 0.28 inch
Solid conductor	0.08 ... 2.5 mm <sup>2</sup> / 28 ... 12 AWG
Fine-stranded conductor	0.08 ... 2.5 mm <sup>2</sup> / 28 ... 12 AWG
Fine-stranded conductor with ferrule with plastic collar	0.25 ... 1.5 mm <sup>2</sup>
Fine-stranded conductor with ferrule without plastic collar	0.25 ... 1.5 mm <sup>2</sup>
Note (conductor cross-section)	12 AWG: THHN, THWN

Material Data	
Material group	I
Insulating material	Polyamide 66 (PA 66)
Flammability class per UL94	V0
Clamping spring material	Chrome nickel spring steel (CrNi)
Contact material	Electrolytic copper (Ecu)
Contact plating	Tin-plated

Mechanical Data	
Solder pin arrangement	within the terminal block, in line
Solder pin length	4 mm
Solder pin dimensions	1 x 0.8 mm
Drilled hole diameter (tolerance)	1.4 <sup>(+0.1)</sup> mm

Environmental Requirements	
Limit temperature range	-60 ... +105 °C

Ferrule	Page 847
Marking	Page 830
Testing and measuring	Page 854
Tools	Page 838
Additional information, see "Technical Section"	
Approvals and corresponding ratings, visit <a href="http://www.wago.com">www.wago.com</a>	

## Modular PCB Terminal Block ▶ 742 Series

Commoning option ▶ CAGE CLAMP® ▶ Actuation type: Operating tool ▶ 2.5 mm<sup>2</sup> ▶ Pin spacing: 5.08 mm (0.2 inch) ▶ Color: orange

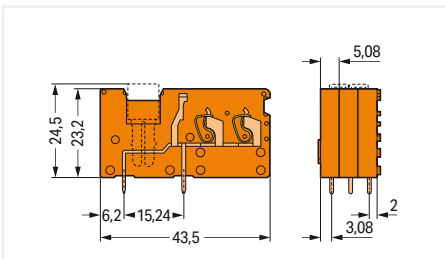
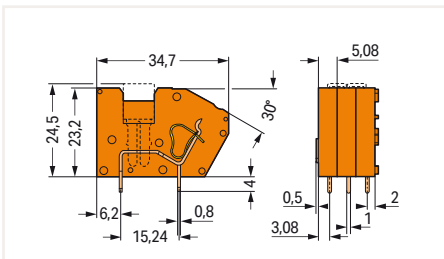
Conductor entry angle to the PCB: 60° ▶ Number of connection points: 1

Conductor entry angle to the PCB: 90° ▶ Number of connection points: 2



Color	Item No.	PU
orange	742-126	300

Color	Item No.	PU
orange	742-176	200



### Item-Specific Accessories

### Item-Specific Accessories



End plate; 1.5 mm; snap-on type

Color	Item No.	PU (SPU)
orange	742-600	300 (100)

End plate; 1.5 mm; snap-on type

Color	Item No.	PU (SPU)
orange	742-650	300 (100)

### Accessories; for all products on this page



Adjacent jumper, 5 mm, Rated current 24 A

Color	Item No.	PU (SPU)
gray	280-402	200 (25)

PU = Packaging Unit; SPU = Subpackaging Unit; Dimensions in mm

## Modular PCB Terminal Block ▶ 742 Series

Fuse terminal block ▶ CAGE CLAMP® ▶ Actuation type: Operating tool ▶ 2.5 mm<sup>2</sup> ▶ Pin spacing: 5 mm (0.197 inch) ▶ Color: gray

1



- Modular PCB terminal blocks with screwdriver-actuated CAGE CLAMP®
- Quick, easy replacement of mini-automotive blade-style fuses in the event of a fault
- Test sockets on both sides of fuse for 2.0 mm or 2.3 mm Ø test plugs
- Observe protection against direct contact for voltages of 42 V and higher!
- 2- and 3-conductor PCB terminal blocks for distributing potentials independently of PCB

### Electrical Data

Pin spacing	5 mm (0.197 inch)			5 mm (0.197 inch)		
	1			2/3		
Number of connection points						
Conductor entry angle to the PCB	60°			90°		
Ratings per	IEC/EN 60664-1			IEC/EN 60664-1		
Overvoltage category	III	III	II	III	III	II
Pollution degree	3	2	2	3	2	2
Rated voltage	320 V	320 V	630 V	320 V	320 V	630 V
Rated impulse voltage	4 kV	4 kV	4 kV	4 kV	4 kV	4 kV
Rated current	-	-	-	-	-	-
Approvals per	UL 1059			UL 1059		
Use Group	B	C	D	B	C	D
Rated voltage	300 V	-	300 V	300 V	-	300 V
Rated current	10 A	-	10 A	10 A	-	10 A
Approvals per	CSA			CSA		
Use Group	B	C	D	B	C	D
Rated voltage	300 V	-	300 V	300 V	-	300 V
Rated current	16 A	-	10 A	10 A	-	10 A

### Connection Data

Connection technology	CAGE CLAMP®
Strip length (No. of connection points: 1)	8 ... 9 mm / 0.31 ... 0.35 inch
Strip length (No. of connection points: 2/3)	6 ... 7 mm / 0.24 ... 0.28 inch
Solid conductor	0.08 ... 2.5 mm <sup>2</sup> / 28 ... 12 AWG
Fine-stranded conductor	0.08 ... 2.5 mm <sup>2</sup> / 28 ... 12 AWG
Fine-stranded conductor with ferrule with plastic collar	0.25 ... 1.5 mm <sup>2</sup>
Fine-stranded conductor with ferrule without plastic collar	0.25 ... 1.5 mm <sup>2</sup>
Note (conductor cross-section)	12 AWG: THHN, THWN

### Material Data

Material group	I
Insulating material	Polyamide 66 (PA 66)
Flammability class per UL94	V0
Clamping spring material	Chrome nickel spring steel (CrNi)
Contact material	Electrolytic copper (Ecu)
Contact plating	Tin-plated

### Mechanical Data

Solder pin arrangement	within the terminal block, in line
Solder pin length	4 mm
Solder pin dimensions	1 x 0.8 mm
Drilled hole diameter (tolerance)	1.4 <sup>(+0.1)</sup> mm

### Environmental Requirements

Limit temperature range	-60 ... +105 °C
-------------------------	-----------------

Ferrule Page 847

Marking Page 830

Testing and measuring Page 854

Tools Page 838

Additional information, see "Technical Section"

Approvals and corresponding ratings, visit [www.wago.com](http://www.wago.com)

# Modular PCB Terminal Block ▶ 742 Series

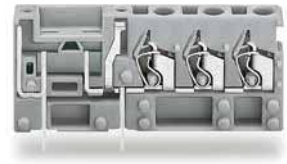
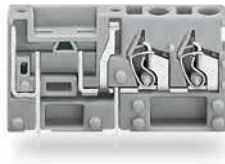
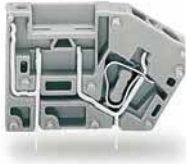
Fuse terminal block ▶ CAGE CLAMP® ▶ Actuation type: Operating tool ▶ 2.5 mm<sup>2</sup> ▶ Pin spacing: 5 mm (0.197 inch) ▶ Color: gray

Conductor entry angle to the PCB: 60° ▶ Number of connection points: 1

Conductor entry angle to the PCB: 90° ▶ Number of connection points: 2

Conductor entry angle to the PCB: 90° ▶ Number of connection points: 3

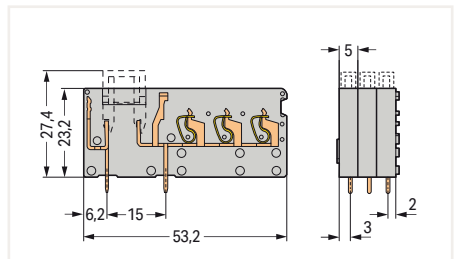
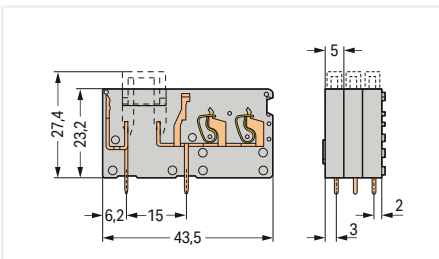
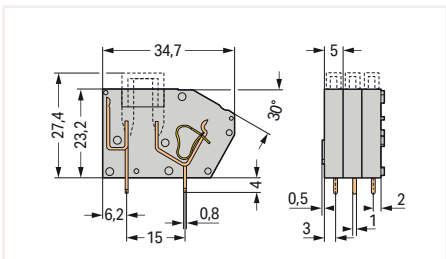
1



Color	Item No.	PU
● gray	742-111	300

Color	Item No.	PU
● gray	742-161	200

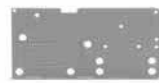
Color	Item No.	PU
● gray	742-163	100



Item-Specific Accessories

Item-Specific Accessories

Item-Specific Accessories



End plate; 1.5 mm; snap-on type

Color	Item No.	PU (SPU)
● gray	742-100	300 (100)

End plate; 1.5 mm; snap-on type

Color	Item No.	PU (SPU)
● gray	742-150	300 (100)

End plate; 1.5 mm; snap-on type

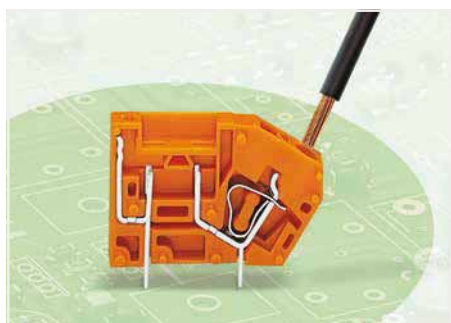
Color	Item No.	PU (SPU)
● gray	742-152	300 (100)

PU = Packaging Unit; SPU = Subpackaging Unit; Dimensions in mm

## Modular PCB Terminal Block ▶ 742 Series

Fuse terminal block ▶ CAGE CLAMP® ▶ Actuation type: Operating tool ▶ 2.5 mm<sup>2</sup> ▶ Pin spacing: 5.08 mm (0.2 inch) ▶ Color: orange

1



- Modular PCB terminal blocks with screwdriver-actuated CAGE CLAMP®
- Quick, easy replacement of mini-automotive blade-style fuses in the event of a fault
- Test sockets on both sides of fuse for 2.0 mm or 2.3 mm Ø test plugs
- Observe protection against direct contact for voltages of 42 V and higher!
- 2- and 3-conductor PCB terminal blocks for distributing potentials independently of PCB

Electrical Data						
Pin spacing	5.08 mm (0.2 inch)			5.08 mm (0.2 inch)		
Number of connection points	1			2/3		
Conductor entry angle to the PCB	60°			90°		
Ratings per	IEC/EN 60664-1			IEC/EN 60664-1		
Overvoltage category	III	III	II	III	III	II
Pollution degree	3	2	2	3	2	2
Rated voltage	320 V	320 V	630 V	320 V	320 V	630 V
Rated impulse voltage	4 kV	4 kV	4 kV	4 kV	4 kV	4 kV
Rated current	-	-	-	-	-	-
Approvals per	UL 1059			UL 1059		
Use Group	B	C	D	B	C	D
Rated voltage	300 V	-	300 V	300 V	-	300 V
Rated current	10 A	-	10 A	10 A	-	10 A
Approvals per	CSA			CSA		
Use Group	B	C	D	B	C	D
Rated voltage	300 V	-	300 V	300 V	-	300 V
Rated current	16 A	-	10 A	10 A	-	10 A

Connection Data	
Connection technology	CAGE CLAMP®
Strip length (No. of connection points: 1)	8 ... 9 mm / 0.31 ... 0.35 inch
Strip length (No. of connection points: 2/3)	6 ... 7 mm / 0.24 ... 0.28 inch
Solid conductor	0.08 ... 2.5 mm <sup>2</sup> / 28 ... 12 AWG
Fine-stranded conductor	0.08 ... 2.5 mm <sup>2</sup> / 28 ... 12 AWG
Fine-stranded conductor with ferrule with plastic collar	0.25 ... 1.5 mm <sup>2</sup>
Fine-stranded conductor with ferrule without plastic collar	0.25 ... 1.5 mm <sup>2</sup>
Note (conductor cross-section)	12 AWG: THHN, THWN

Material Data	
Material group	I
Insulating material	Polyamide 66 (PA 66)
Flammability class per UL94	V0
Clamping spring material	Chrome nickel spring steel (CrNi)
Contact material	Electrolytic copper (Ecu)
Contact plating	Tin-plated

Mechanical Data	
Solder pin arrangement	within the terminal block, in line
Solder pin length	4 mm
Solder pin dimensions	1 x 0.8 mm
Drilled hole diameter (tolerance)	1.4 <sup>(+0.1)</sup> mm

Environmental Requirements	
Limit temperature range	-60 ... +105 °C

Ferrule	Page 847
Marking	Page 830
Testing and measuring	Page 854
Tools	Page 838
Additional information, see "Technical Section"	
Approvals and corresponding ratings, visit <a href="http://www.wago.com">www.wago.com</a>	



## Modular PCB Terminal Block ▶ 742 Series

Fuse terminal block ▶ CAGE CLAMP® ▶ Actuation type: Operating tool ▶ 2.5 mm<sup>2</sup> ▶ Pin spacing: 5.08 mm (0.2 inch) ▶ Color: orange

Conductor entry angle to the PCB: 60° ▶ Number of connection points: 1

Conductor entry angle to the PCB: 90° ▶ Number of connection points: 2

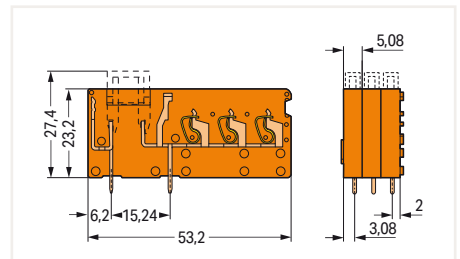
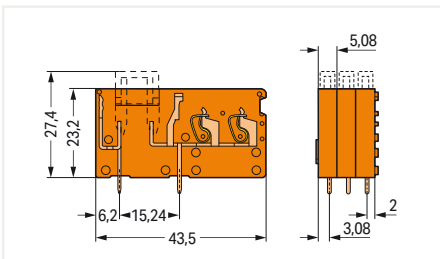
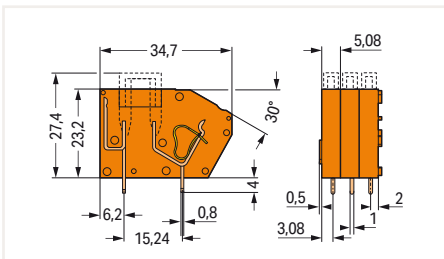
Conductor entry angle to the PCB: 90° ▶ Number of connection points: 3



Color	Item No.	PU
orange	742-116	300

Color	Item No.	PU
orange	742-166	200

Color	Item No.	PU
orange	742-168	100



### Item-Specific Accessories

### Item-Specific Accessories

### Item-Specific Accessories



End plate; 1.5 mm; snap-on type

Color	Item No.	PU (SPU)
orange	742-600	300 (100)

End plate; 1.5 mm; snap-on type

Color	Item No.	PU (SPU)
orange	742-650	300 (100)

End plate; 1.5 mm; snap-on type

Color	Item No.	PU (SPU)
orange	742-651	300 (100)

PU = Packaging Unit; SPU = Subpackaging Unit; Dimensions in mm

## Commoning Strips for PCB Terminal Strips 236, 255, 256, 257, 736, 737 and 738 Series

1

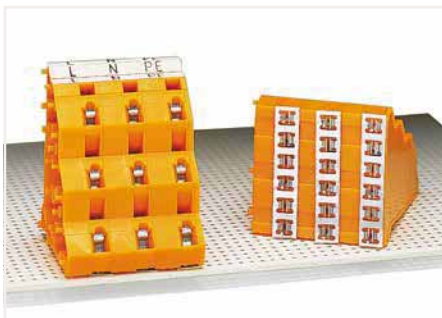


### Horizontal commoning:

Connect adjacent potentials, e.g., as:

- "-" strip in connection modules for actuators with higher switching power
- Ground commoning strip for applications where the ground conductor shall not be looped over PCB tracks (max. short-time withstand current: 70 A/mm<sup>2</sup> for one second – observe the normative requirements of the end application!)

Note: Interruption of horizontal commoning reduces spacing to the adjacent solder pins.



### Vertical commoning (only for 736 and 737 Series

starting from 7.5 mm/0.295 inch pin spacing):

Connect the (in-line) solder pins of a PCB terminal block to one potential, e.g., as:

- 3-conductor supply and distribution PCB terminal block (up to 10 A)
- Intelligent circuit modifications without changing the track layout are also possible.

WAGO's commoning strips allow PCB terminal strips to be commoned to suit customer requirements. Due to the many combination possibilities, the commoning strips can only be fitted onto the solder pins at the factory. Please refer to the order form on pages 1.70 and 1.71.

Furthermore, these commoning strips allow terminal blocks of a same potential to be created.

Commoning strips are available for the following pin spacing:

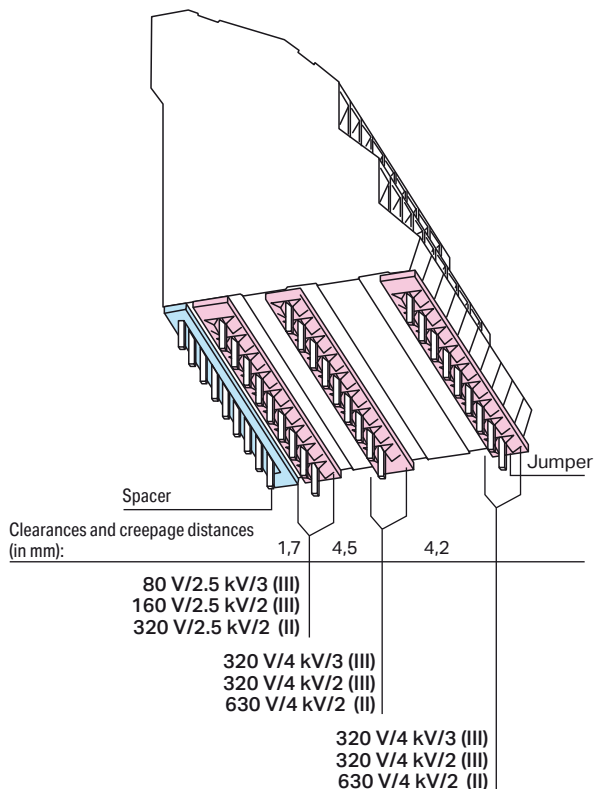
- 5 mm, 5.08 mm (up to 20 poles)
- 7.5 mm, 7.62 mm (up to 16 poles)
- 10 mm, 10.16 mm (up to 12 poles)

A spacer provides height compensation for the solder pins that are not commoned.

## Technical Information on "Commoned PCB Terminal Strips"

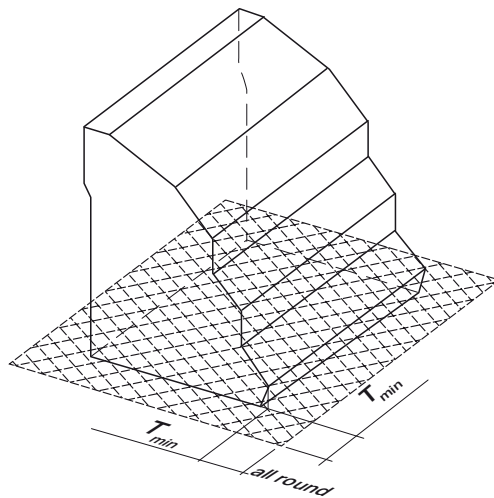
Use of commoning strips must account for both the specific conditions of the planned application, as well as relevant standards for the normal operating conditions in which operational failures (can) occur.

### Horizontal commoning (236, 255, 256, 257, 736, 737, 738 Series)



- Pin spacing combination is only possible with 5 mm, 5.08 mm, 10 mm and 10.16 mm.
- In-line or staggered arrangement of solder pins (736, 737, 738 Series).
- 236 Series: Versions with only one solder pin cannot be commoned.
- In case of different potentials within one level, ensure that at least one interim terminal block must remain uncommoned in order to maintain the necessary creepage distances and clearances (see also the ordering example).

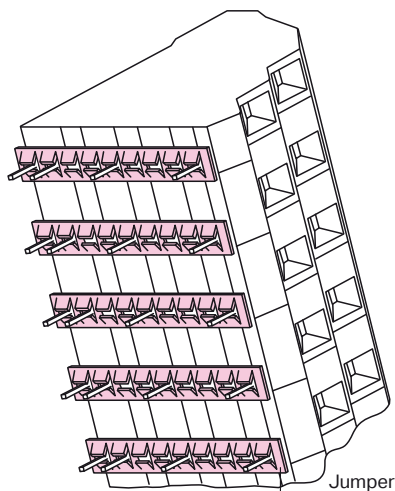
### Distances to adjacent potentials



Recommendation:  $T_{min} = 5 \text{ mm}$

Please note that the distance between the commoning strips and adjacent potentials must comply with requirements for the end application as specified in the relevant standard.

### Vertical commoning (only possible with 736/737 Series Multilevel PCB Terminal Blocks)



Pin spacing:	Creepage distance (in mm):	Clearance (in mm):	Voltage:
7.5 mm, 7.62 mm	1.7	1.7	80 V/2.5 kV/3 (III)
	1.7	1.7	160 V/2.5 kV/2 (III)
			320 V/2.5 kV/2 (II)
10 mm, 10.16 mm	4.2	4.2	320 V/4 kV/3 (III)
	4.2	4.2	320 V/4 kV/2 (III)
			630 V/4 kV/2 (II)

- Not possible with 5 mm and 5.08 mm pin spacing
- Solder pins always arranged in line

# Order Form "Commoned PCB Terminal Strips"

236, 255, 256, 257, 736  
737, 738 Series

Company:	5				Page of
	4				
	3				
	2				
	1				
Drawing No.:					Release Note:
WAGO Item No.:					
	Original	Change Note	Date	Name	

1

## Ordering example: Horizontal commoning



Merkt: Bei Klemmenleisten mit gemischten Rastermaßen ist für jede Einzelklemme

Änderungsstand Pos.	Bestellnr.	Rastermaß (mm)	Brückungsbild					Beschriftung		
			Stockwerk							
Abschlussplatte: bei Serie 736, 737, 738			Längsbrückung		Querbrückung		Klemmenkennzeichnung in Leserichtung			
4	3	2	1	4	3	2		1		
1	737-312	5						1 4 7 10 13 16 19 22 25 28 31 34 2 5 8 11 14 17 20 23 26 29 32 35 3 6 9 12 15 18 21 24 27 30 33 36		
2										
3										
4										
5										
6										
7										
8										
9										
10										
11										
12										
13										
14										
15										
16										
17										

## Ordering example: Vertical commoning

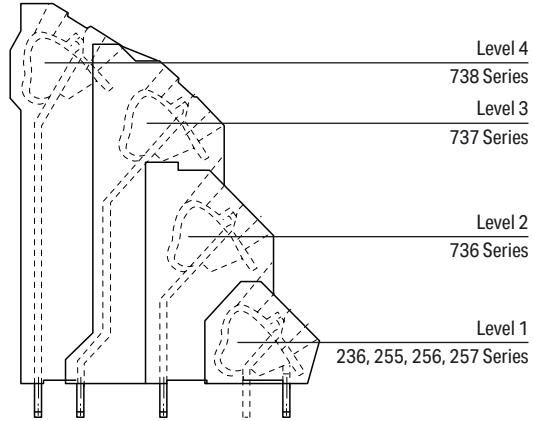


Merkt: Bei Klemmenleisten mit gemischten Rastermaßen ist für jede Einzelklemme

Änderungsstand Pos.	Bestellnr.	Rastermaß (mm)	Brückungsbild					Beschriftung		
			Stockwerk							
Abschlussplatte: bei Serie 736, 737, 738			Längsbrückung		Querbrückung		Klemmenkennzeichnung in Leserichtung			
4	3	2	1	4	3	2		1		
1	737-504	7,5						1 2 3 4 5 6 7 8 9 10 11 12		
2										
3										
4										
5										
6										
7										
8										
9										
10										
11										
12										
13										
14										
15										
16										
17										

Spacers are always installed at the factory. For mixed-pin-spacing terminal strips, enter the pin spacing, not the item number of each individual terminal block.

## Terminal strip design



Item Changed	Item Position	Item No.	Pin Spacing (mm)	Commoning				Marking			
				B = Jumper				Level			
				4	3	2	1	4	3	2	1
End plate: for 736, 737, 738 Series				Vertical commoning <input type="checkbox"/>				Terminal block marking in read direction <input type="checkbox"/>			
1											
2											
3											
4											
5											
6											
7											
8											
9											
10											
11											
12											
13											
14											
15											
16											
17											
18											
19											
20											
21											
22											
23											
24											
25											
26											
27											
28											
29											
30											
31											
32											
33											

End plate: for 236, 255, 256, 257 Series



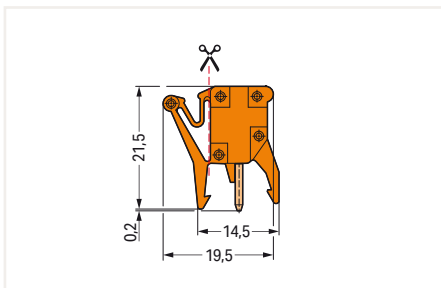
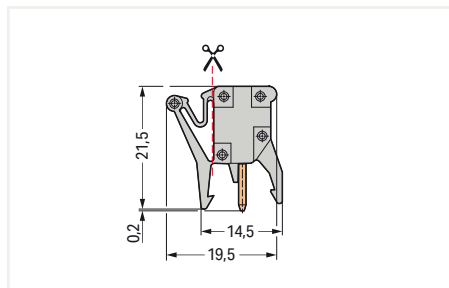
# Test Plug Adapters for 255, 256 and 257 Series PCB Terminal Blocks

1



Test plug adapter; 1-pole; with socket for 2 mm and 2.3 mm Ø test plugs; modular; gray		
Pin spacing	Item No.	PU (SPU)
5 mm / 0.197 inch	249-110	100 (25)
7.5 mm / 0.295 inch	249-112	100 (25)
10 mm / 0.394 inch	249-114	100 (25)

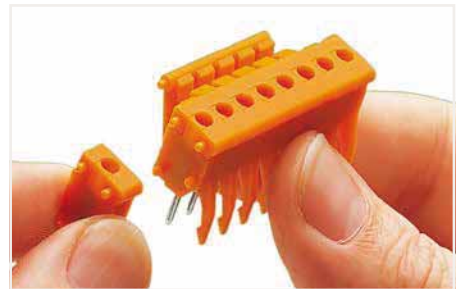
Test plug adapter; 1-pole; with socket for 2 mm and 2.3 mm Ø test plugs; modular; orange		
Pin spacing	Item No.	PU (SPU)
5.08 mm / 0.2 inch	249-111	100 (25)
7.62 mm / 0.3 inch	249-113	100 (25)
10.16 mm / 0.4 inch	249-115	100 (25)



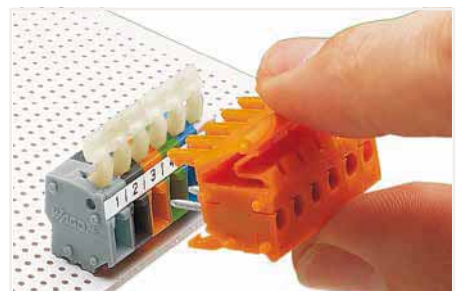
Cutting mark for separating the retaining clip and its snap-in mounting foot

Cutting mark for separating the retaining clip and its snap-in mounting foot

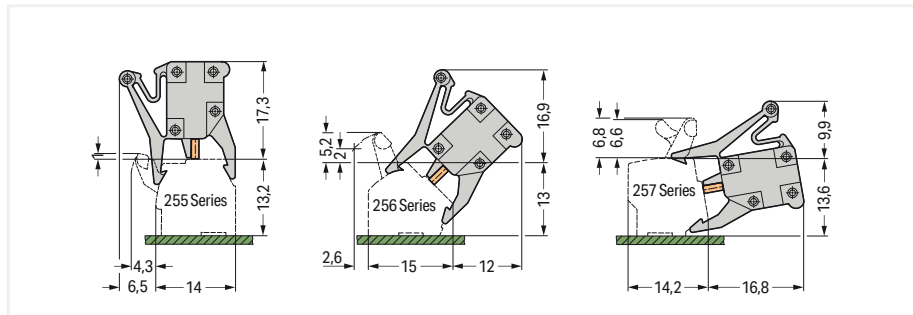
Electrical Data			
	Pin Spacing: 5/5.08 mm (0.197/0.2 inch)	Pin Spacing: 7.5/7.62 mm (0.295/0.3 inch)	Pin Spacing: 10/10.16 mm (0.394/0.4 inch)
Ratings per	IEC/EN 60664-1	IEC/EN 60664-1	IEC/EN 60664-1
Overvoltage category	III	III	III
Pollution degree	2	2	2
Rated voltage	320 V	320 V	320 V
Rated impulse voltage	4 kV	4 kV	4 kV



Assembling a multipole test plug adapter.



Inserting a 6-pole test plug adapter into a terminal strip.



Testing a wired PCB terminal strip.

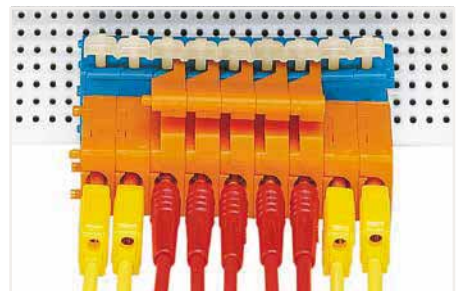
Adapters with snap-in mounting foot cut off assembled on both ends (7 to 9 poles)

Adapters with snap-in mounting foot cut off in center position (10 to 15 poles)

For lengths longer than 7 poles, the snap-in mounting foot with retaining clip should be cut off (see example below).

Adapters A:  
Snap-in mounting foot with retaining clip cut off

Adapters B:  
Standard version



9-pole test plug adapter with cut-off snap-in mounting feet and retaining clips on both ends

PU = Packaging Unit; SPU = Subpackaging Unit; Dimensions in mm

## Comb-Style Jumper Bars for 745, 2706 and 2716 Series PCB Terminal Blocks



5 mm (0.197 inch) pin spacing; for 745 Series – 4 mm<sup>2</sup>

Jumper Type	Item No.	PU (SPU)
1 to 3	745-181	250 (50)
2-way	745-182	250 (50)
3-way	745-183	250 (50)
4-way	745-184	200 (50)
5-way	745-185	200 (50)
10-way	745-180	200 (50)

7.5 mm (0.295 inch) pin spacing; for 745 Series – 6 mm<sup>2</sup> and 2706 Series

Jumper Type	Item No.	PU (SPU)
1 to 3	745-381	250 (50)
2-way	745-382	250 (50)
3-way	745-383	250 (50)
4-way	745-384	200 (50)
5-way	745-385	200 (50)
10-way	745-380	200 (50)

10 mm (0.394 inch) pin spacing; for 745 Series – 16 mm<sup>2</sup> and 2716 Series

Jumper Type	Item No.	PU (SPU)
1 to 3	745-581	400 (50)
2-way	745-582	400 (50)
3-way	745-583	300 (50)
4-way	745-584	200 (50)
5-way	745-585	200 (50)

7.5 mm (0.295 inch) pin spacing; for 745 Series – 4 mm<sup>2</sup>

Jumper Type	Item No.	PU (SPU)
1 to 3	745-191	250 (50)
2-way	745-192	250 (50)
3-way	745-193	250 (50)
4-way	745-194	200 (50)
5-way	745-195	200 (50)
10-way	745-190	200 (50)

10 mm (0.394 inch) pin spacing; for 745 Series – 6 mm<sup>2</sup> and 2706 Series

Jumper Type	Item No.	PU (SPU)
1 to 3	745-391	250 (50)
2-way	745-392	250 (50)
3-way	745-393	250 (50)
4-way	745-394	200 (50)
5-way	745-395	200 (50)
10-way	745-390	200 (50)

15 mm (0.591 inch) pin spacing; for 745 Series – 16 mm<sup>2</sup> and 2716 Series

Jumper Type	Item No.	PU (SPU)
1 to 3	745-631	200 (50)
2-way	745-632	200 (50)
3-way	745-633	200 (50)
4-way	745-634	200 (50)
5-way	745-635	200 (50)

10 mm (0.394 inch) pin spacing; for 745 Series – 4 mm<sup>2</sup>

Jumper Type	Item No.	PU (SPU)
1 to 3	745-281	250 (50)
2-way	745-282	250 (50)
3-way	745-283	250 (50)
4-way	745-284	200 (50)
5-way	745-285	200 (50)
10-way	745-280	150 (50)

20 mm (0.787 inch) pin spacing; for 745 Series – 16 mm<sup>2</sup> and 2716 Series

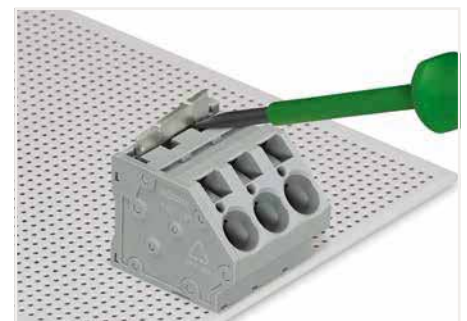
Jumper Type	Item No.	PU (SPU)
1 to 3	745-681	300 (50)
2-way	745-682	400 (50)
3-way	745-683	200 (50)
4-way	745-684	200 (50)
5-way	745-685	200 (50)



Inserting a comb-style jumper bar.



Push jumper bar down firmly using a screwdriver until it hits the backstop – 745 Series.

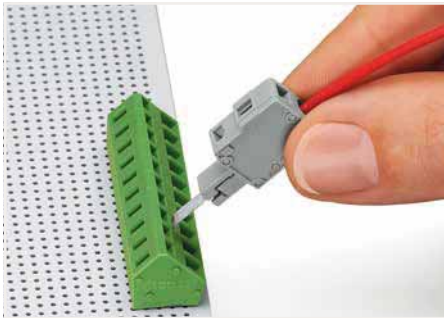


To remove the jumper bar, lift it up using a screwdriver – 745 Series.

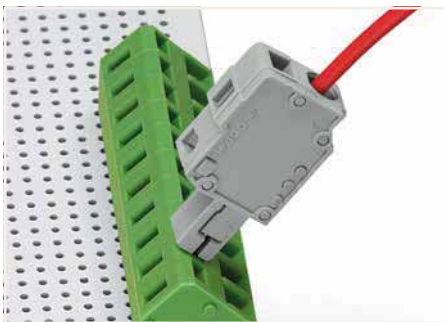
PU = Packaging Unit; SPU = Subpackaging Unit; Dimensions in mm

# Test Plug Modules; A-Type Contact; for 236, 736, 737 and 738 Series PCB Terminal Blocks (Testing unwired terminal blocks)

1



Inserting a test plug module into the operating slot.



Unwired terminal strip with inserted test plug module

Test plug module; with 10 mm contact lug; for 236 Series; snaps together; gray

Pin spacing	Item No.	PU (SPU)
5 mm / 0.197 inch	231-127	100
7.5 mm / 0.295 inch	231-161	100

Test plug module; with 10 mm contact lug; for 236 Series; snaps together; orange

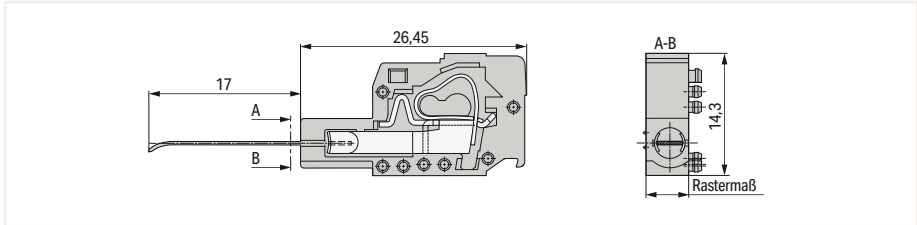
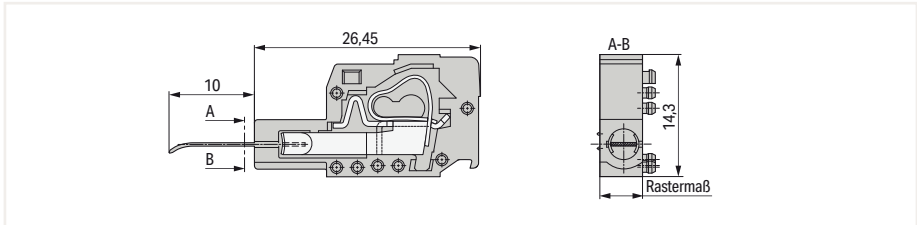
Pin spacing	Item No.	PU (SPU)
5.08 mm / 0.2 inch	231-128	100
7.62 mm / 0.3 inch	231-125	100

Test plug module; with 17 mm contact lug; for 280, 736, 737, 738 and 780 Series; snaps together; gray

Pin spacing	Item No.	PU (SPU)
5 mm / 0.197 inch	231-126	100

Test plug module; with 17 mm contact lug; for 280, 736, 737, 738 and 780 Series; snaps together; orange

Pin spacing	Item No.	PU (SPU)
5.08 mm / 0.2 inch	231-426	100



Contact type A:  
Testing only when unwired.

**Electrical Data**

Ratings per IEC/EN 60664-1	
Overvoltage category	III
Pollution degree	2
Rated voltage (III/2)	250 V*
Rated surge voltage (III / 2)	2.5 kV
Rated current	0.5 A

**End plate**

Connection technology	CAGE CLAMP*
Strip length	12 ... 13 mm / 0.47 ... 0.51 inch
Solid conductor	0.08 ... 2.5 mm <sup>2</sup> / 28 ... 12 AWG
Fine-stranded conductor	0.08 ... 2.5 mm <sup>2</sup> / 28 ... 12 AWG

Accessories; for all products on this page



End plate

Color	Item No.	PU (SPU)
● gray	231-100	200

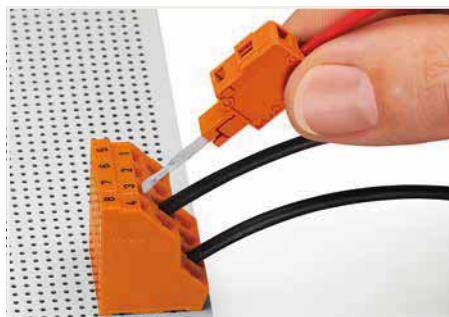
End plate

Color	Item No.	PU (SPU)
● orange	231-300	200

\* (III / 2) ≙ Overvoltage category III / Pollution degree 2



# Test Plug Modules; B-Type Contact, for 736, 737 and 738 Series PCB Terminal Blocks (Testing wired terminal blocks with 0.75 ... 1.5 mm<sup>2</sup> "f-st" or 0.5 mm<sup>2</sup> "sol." conductors)



Inserting a test plug module into the operating slot.



Wired terminal strip with inserted test plug module



Contact type B:  
Testing only when wired –  
0.75 ... 1.5 mm<sup>2</sup> "f-st" or 0.5 mm<sup>2</sup> "sol."

Test plug module, with 18 mm contact lug, for 280, 736, 737, 738 and 780 Series, snaps together, gray

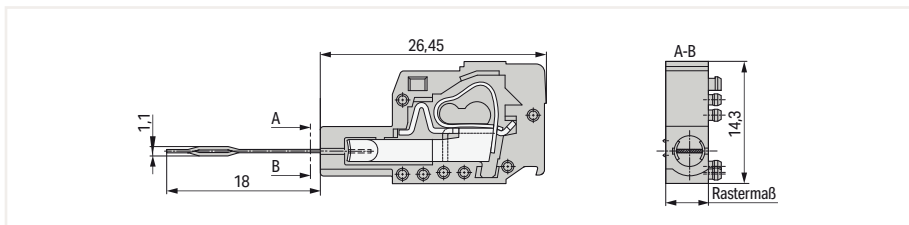
Pin spacing	Item No.	PU (SPU)
5 mm / 0.197 inch	231-155	100

Prüfsteckermodul; mit Kontaktzunge 18 mm; für Serien 736 und 737; anreihbar; grau

Pin spacing	Item No.	PU (SPU)
7.5 mm / 0.295 inch	231-456	100

Test plug module, with 18 mm contact lug, for 736, 737 and 738 Series, snaps together, orange

Pin spacing	Item No.	PU (SPU)
5.08 mm / 0.2 inch	231-455	100



### Electrical Data

Ratings per IEC/EN 60664-1	
Overvoltage category	III
Pollution degree	2
Rated voltage (III/2)	250 V*
Rated surge voltage (III / 2)	2.5 kV
Rated current	0.5 A

### Connection Data

Connection technology	CAGE CLAMP*
Strip length	12 ... 13 mm / 0.47 ... 0.51 inch
Solid conductor	0.08 ... 2.5 mm <sup>2</sup> / 28 ... 12 AWG
Fine-stranded conductor	0.08 ... 2.5 mm <sup>2</sup> / 28 ... 12 AWG

### Accessories; for all products on this page

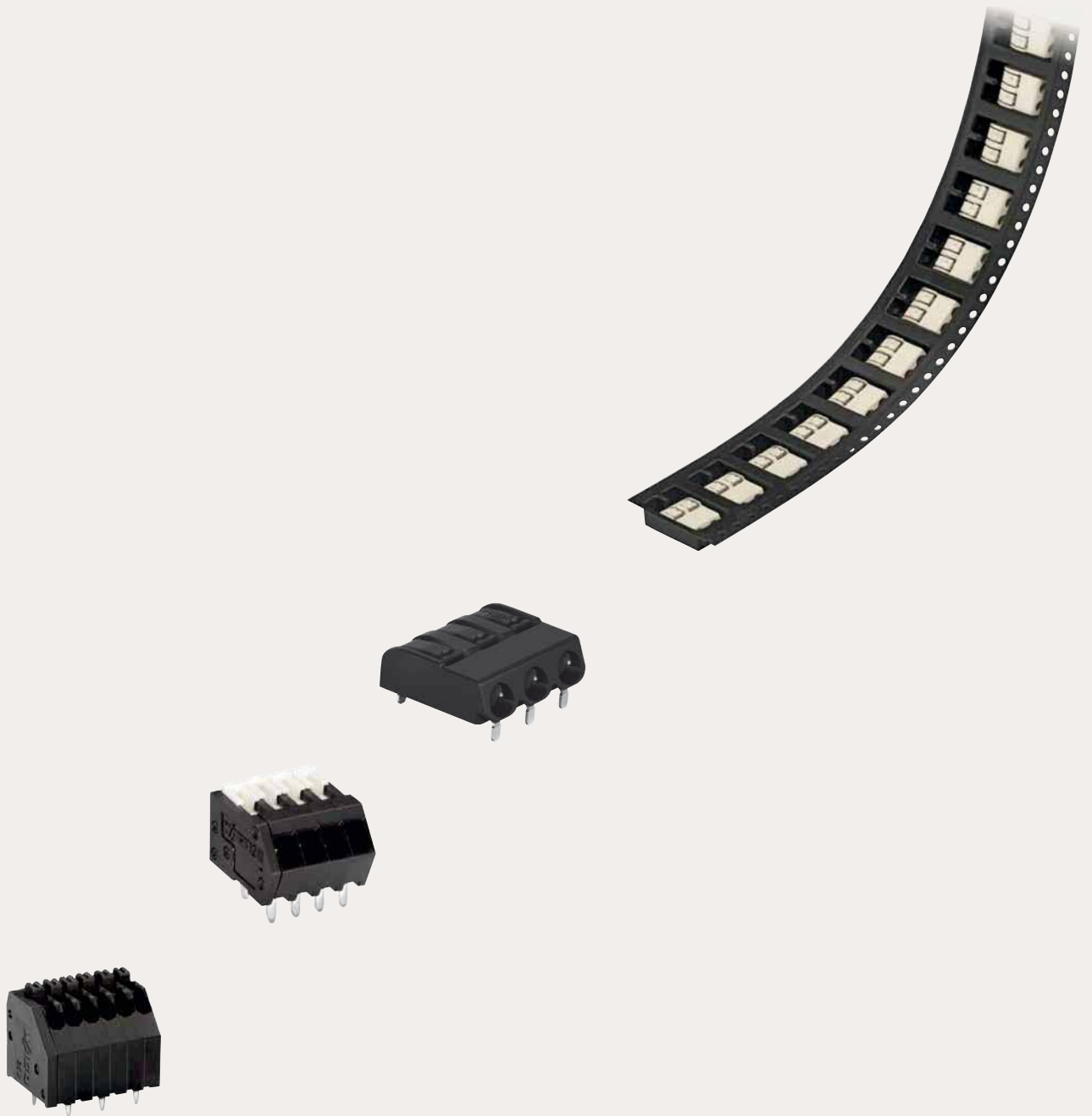


\* (III / 2) ≙ Overvoltage category III / Pollution degree 2

End plate		
Color	Item No.	PU (SPU)
○ gray	231-100	200







End plate		
Color	Item No.	PU (SPU)
● orange	231-300	200

PU = Packaging Unit; SPU = Subpackaging Unit; Dimensions in mm



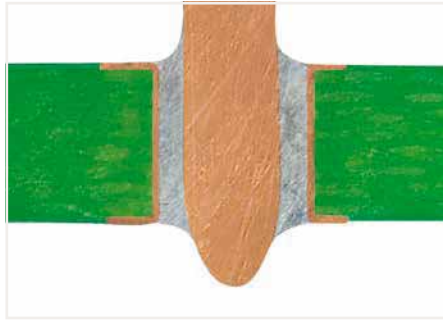
# WAGO THR PCB Terminal Blocks

## WAGO THR PCB Terminal Blocks

	Nominal Cross-Section	Series	Page
	0.75 mm <sup>2</sup> 1.5 mm <sup>2</sup>	2060 2061	260 266
	1.5; 2.5 mm <sup>2</sup>	250	276
	1.5 mm <sup>2</sup>	805	280
	2.5 mm <sup>2</sup>	236	282
	2.5 mm <sup>2</sup>	218	284
			288
			829

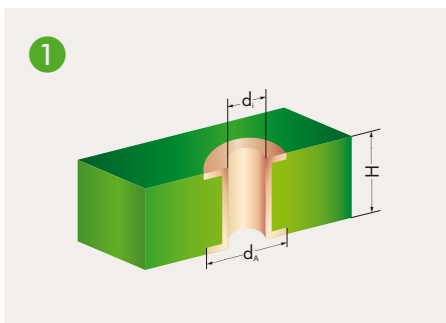
## THR (Through-Hole Reflow) Soldering Process

2



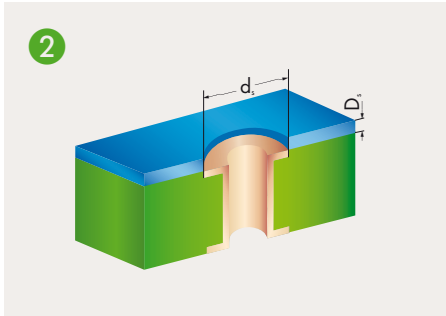
By using high-temperature-resistant plastic and a streamlined pin design, WAGO's THR male headers and PCB terminal blocks meet requirements for SMT process capability while maintaining the necessary stability. Both headers and terminal blocks are simply pushed into the solder paste-filled PCB holes and then soldered along with the SMT components via reflow soldering. The previous wave soldering process is no longer necessary. The result is a perfect connection – both mechanically and electrically.

Terminal strips with an additional suction pad in tape-and-reel packaging per IEC 60286-3 WAGO recommends both a temperature profile that adheres to EN 61760-1 and the use of forced convection ovens for processing THR components.



Metal-plated PCB bore hole

Series	d <sub>i</sub> (mm)	d <sub>A</sub> (mm)	H (mm)	d <sub>s</sub> (mm)	D <sub>s</sub> (μm)	d (mm)	L (mm)
218	1.1 <sup>+0.1</sup>	1.9	< 2	1.8	150	0.9	2.8
231 (1 x 1 mm)	1.4 <sup>+0.1</sup>	2.5	< 2	2.4	150	1.2	2.4
231 (1.2 x 1.2 mm)	1.7 <sup>+0.1</sup>	2.8	< 2	2.7	150	1.5	2.4
236	1.1 <sup>+0.1</sup>	2.2	< 2	2.1	150	0.9	3.6
250	1.1 <sup>+0.1</sup>	2.0	< 2	1.9	150	0.9	3.6
713	1.2 <sup>+0.1</sup>	1.9	< 2	1.8	150	1.0	2.4
733	1.2 <sup>+0.1</sup>	1.9	< 2	1.8	150	1.0	2.4
734	1.4 <sup>+0.1</sup>	2.5	< 2	2.4	150	1.2	2.4
2060 THR	1.5 <sup>+0.1</sup>	2.4	< 2	2.3	150	1.25	2.4
2061 THR	1.5 <sup>+0.1</sup>	2.4	< 2	2.3	150	1.25	1.5/2.4



SMD positioning pattern

d<sub>i</sub>: Plated through-hole diameter

d<sub>A</sub>: Outer diameter of metal-plated PCB hole\*

H: PCB thickness

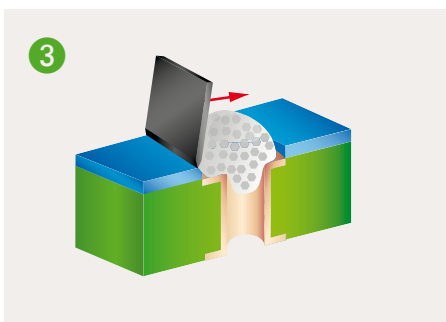
d<sub>s</sub>: Pattern hole diameter

D<sub>s</sub>: Pattern thickness

d: Pin diagonal

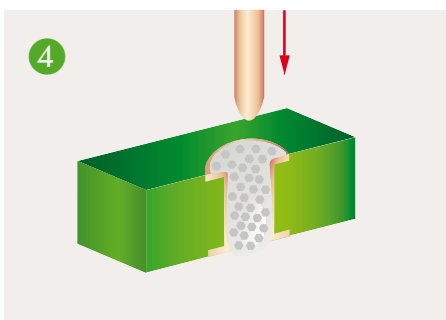
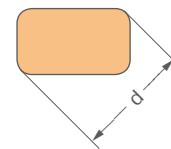
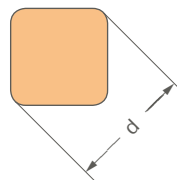
L: Pin length

\* When laying out the metal-plated bore holes, the clearance and creepage distance requirements – as specified in the equipment standards – must be considered.

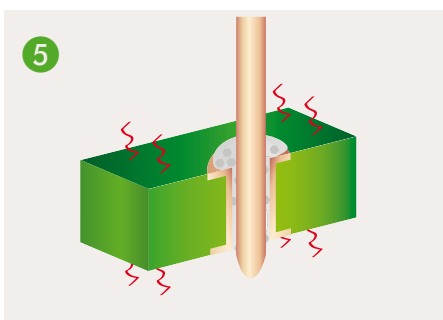


Solder paste application

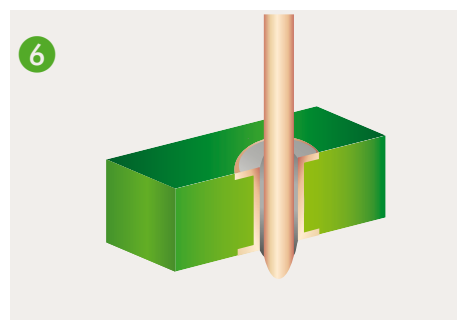
Solder pin form



Component assembly, automatic/by hand



Reflow soldering process

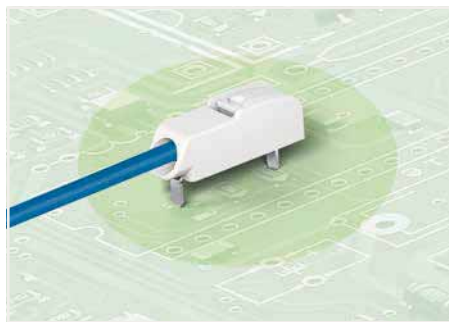


THR soldering joint

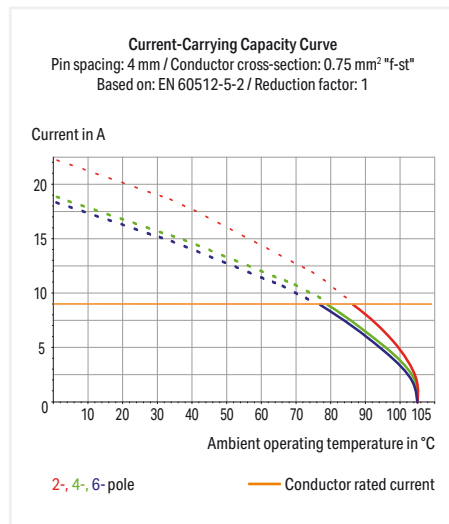


## THR PCB Terminal Block ▶ 2060 Series

Push-in CAGE CLAMP® ▶ Actuation type: Push-button ▶ 0.75 mm<sup>2</sup> ▶ Pin spacing: 4 mm (0.157 inch) ▶ Solder pin length: 2.4 mm



- THR PCB terminal blocks with push-buttons and Push-in CAGE CLAMP® connection
- Push-in termination of solid and ferruled conductors
- Convenient termination/removal of fine-stranded conductors via push-buttons
- Just 4.5 mm tall
- Available in tape-and-reel packaging for automated assembly
- Also suitable for wave soldering



Electrical Data			
Pin spacing	4 mm (0.157 inch)		
Ratings per	IEC/EN 60664-1		
Overvoltage category	III	III	II
Pollution degree	3	2	2
Rated voltage	63 V	160 V	320 V
Rated impulse voltage	2.5 kV	2.5 kV	2.5 kV
Rated current	9 A	9 A	9 A
Approvals per	UL 1977		
Rated voltage	600 V		
Rated current	9 A		

Connection Data	
Connection technology	Push-in CAGE CLAMP®
Strip length	6 ... 7 mm / 0.24 ... 0.28 inch
Conductor entry angle to the PCB	0°
Solid conductor	0.2 ... 0.75 mm <sup>2</sup> / 24 ... 18 AWG
Fine-stranded conductor	0.2 ... 0.75 mm <sup>2</sup> / 24 ... 18 AWG
Fine-stranded conductor with ferrule with plastic collar	0.25 ... 0.34 mm <sup>2</sup>
Fine-stranded conductor with ferrule without plastic collar	0.25 ... 0.34 mm <sup>2</sup>

Material Data	
Material group	I
Insulating material	Polyphthalamide (PPA GF)
Flammability class per UL94	V0
Contact material	Copper alloy
Contact plating	Tin-plated

Mechanical Data	
Solder pin arrangement	within the terminal block, in line
Solder pin length	2.4 mm
Solder pin dimensions	1.2 x 0.75 mm
Plated through-hole diameter (THR)	1.5 <sup>(+0.1)</sup> mm
Reel diameter of tape-and-reel packaging	330 mm

Environmental Requirements	
Limit temperature range	-60 ... +105 °C

### Application note:

Suitable for lead-free, reflow-soldering profiles per DIN EN 61760-1 and IEC 60068-2-58 up to max. 260 °C peak temperature. Due to customer-specific variables (e.g., component configuration and orientation, type of soldering machine, solder paste), trial runs are recommended to ensure product and process compatibility under actual manufacturing conditions.

### Recommendation for stencil:

150 µm material thickness The stencil hole diameter is identical to the outer diameter of the metal-plated PCB hole.

THR-soldering process	Page 258
Ferrule	Page 847
Tools	Page 289
Additional information, see "Technical Section"	
Approvals and corresponding ratings, visit <a href="http://www.wago.com">www.wago.com</a>	

### THR PCB Terminal Block ▶ 2060 Series

Push-in CAGE CLAMP® ▶ Actuation type: Push-button ▶ 0.75 mm<sup>2</sup> ▶ Pin spacing: 4 mm  
 (0.157 inch) ▶ Solder pin length: 2.4 mm

Color: white

Color: black



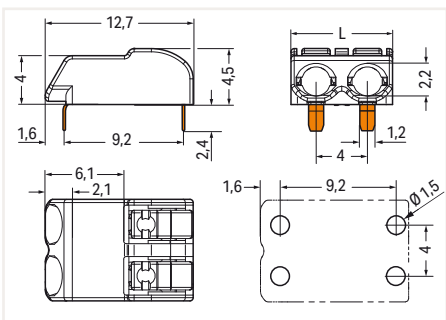
Insert solid conductors via push-in termination.



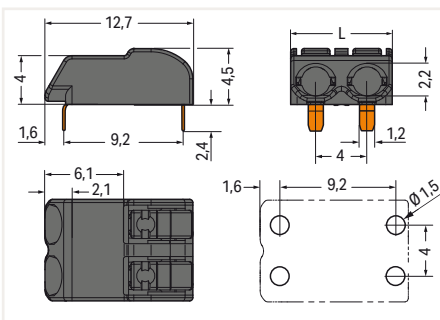
Insert/remove fine-stranded conductors by lightly pressing on push-button (e.g., via 206-860 Operating Tool).

Pole No.	Item No.	PU (SPU)
1	2060-1451/998-404	10800 (1200)

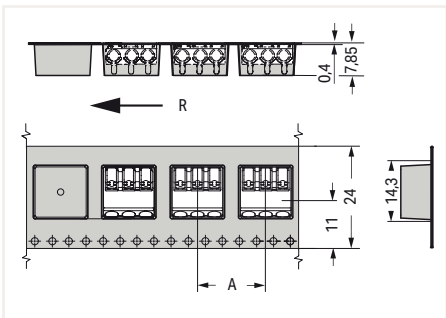
Pole No.	Item No.	PU (SPU)
1	2060-1471/998-404	10800 (1200)



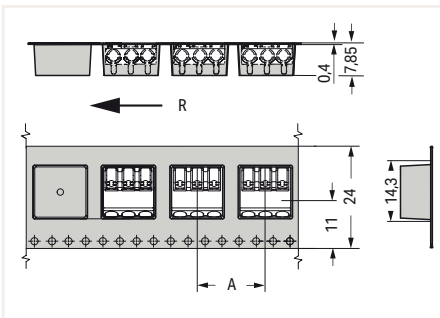
L = (pole no. x pin spacing) – 0.1 mm



L = (pole no. x pin spacing) – 0.1 mm



R = Feed direction  
 A = (pole no. x pin spacing) + 4 mm



R = Feed direction  
 A = (pole no. x pin spacing) + 4 mm

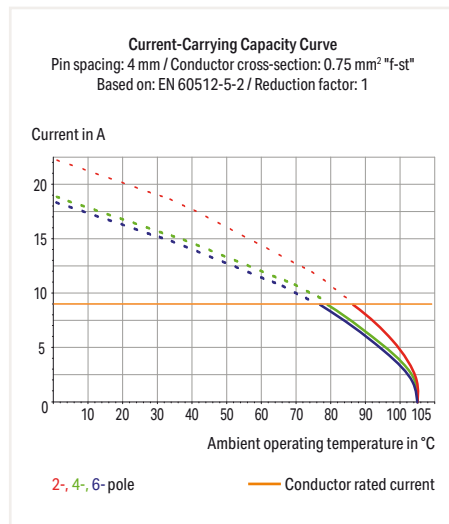
PU = Packaging Unit; SPU = Subpackaging Unit; Dimensions in mm

**THR PCB Terminal Block ▶ 2060 Series**

Push-in CAGE CLAMP® ▶ Actuation type: Push-button ▶ 0.75 mm<sup>2</sup> ▶ Pin spacing: 4 mm (0.157 inch) ▶ Solder pin length: 2.4 mm



- THR PCB terminal blocks with push-buttons and Push-in CAGE CLAMP® connection
- Push-in termination of solid and ferruled conductors
- Convenient termination/removal of fine-stranded conductors via push-buttons
- Just 4.5 mm tall
- Available in tape-and-reel packaging for automated assembly
- Also suitable for wave soldering



Electrical Data			
Pin spacing	4 mm (0.157 inch)		
Ratings per	IEC/EN 60664-1		
Overvoltage category	III	III	II
Pollution degree	3	2	2
Rated voltage	63 V	160 V	320 V
Rated impulse voltage	2.5 kV	2.5 kV	2.5 kV
Rated current	9 A	9 A	9 A
Approvals per	UL 1977		
Rated voltage	320 V		
Rated current	9 A		

Connection Data	
Connection technology	Push-in CAGE CLAMP®
Strip length	6 ... 7 mm / 0.24 ... 0.28 inch
Conductor entry angle to the PCB	0°
Solid conductor	0.2 ... 0.75 mm <sup>2</sup> / 24 ... 18 AWG
Fine-stranded conductor	0.2 ... 0.75 mm <sup>2</sup> / 24 ... 18 AWG
Fine-stranded conductor with ferrule with plastic collar	0.25 ... 0.34 mm <sup>2</sup>
Fine-stranded conductor with ferrule without plastic collar	0.25 ... 0.34 mm <sup>2</sup>

Material Data	
Material group	I
Insulating material	Polyphthalamide (PPA GF)
Flammability class per UL94	V0
Contact material	Copper alloy
Contact plating	Tin-plated

Mechanical Data	
Solder pin arrangement	Over the entire terminal strip, in line
Solder pin length	2.4 mm
Solder pin dimensions	1.2 x 0.75 mm
Plated through-hole diameter (THR)	1.5 <sup>(+0.1)</sup> mm
Reel diameter of tape-and-reel packaging	330 mm

Environmental Requirements	
Limit temperature range	-60 ... +105 °C

**Application note:**

Suitable for lead-free, reflow-soldering profiles per DIN EN 61760-1 and IEC 60068-2-58 up to max. 260 °C peak temperature. Due to customer-specific variables (e.g., component configuration and orientation, type of soldering machine, solder paste), trial runs are recommended to ensure product and process compatibility under actual manufacturing conditions.

**Recommendation for stencil:**

150 µm material thickness The stencil hole diameter is identical to the outer diameter of the metal-plated PCB hole.

THR-soldering process	Page 258
Ferrule	Page 847
Tools	Page 289
Additional information, see "Technical Section"	
Approvals and corresponding ratings, visit <a href="http://www.wago.com">www.wago.com</a>	



### THR PCB Terminal Block ▶ 2060 Series

Push-in CAGE CLAMP® ▶ Actuation type: Push-button ▶ 0.75 mm<sup>2</sup> ▶ Pin spacing: 4 mm  
 (0.157 inch) ▶ Solder pin length: 2.4 mm

Color: white

Color: black



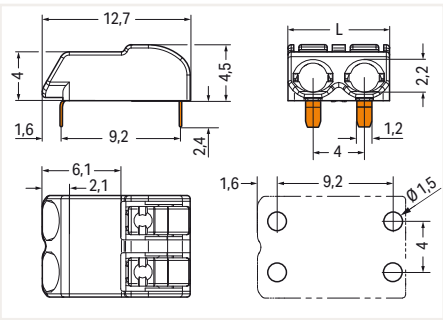
Insert solid conductors via push-in termination.



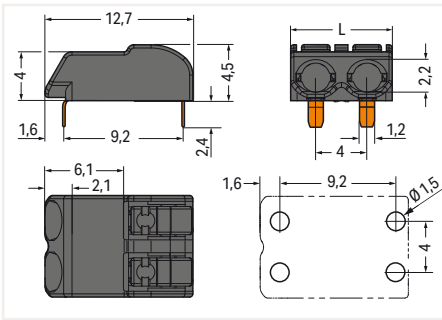
Insert/remove fine-stranded conductors by lightly pressing on push-button (e.g., via 206-860 Operating Tool).

Pole No.	Item No.	PU (SPU)
2	2060-1452/998-404	6750 (750)
3	2060-1453/998-404	4950 (550)

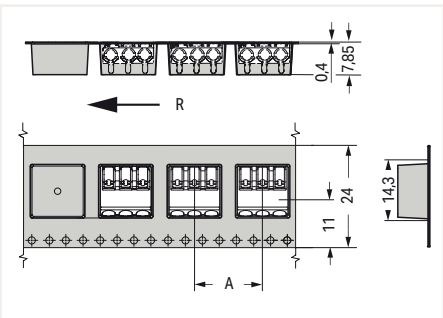
Pole No.	Item No.	PU (SPU)
2	2060-1472/998-404	6750 (750)
3	2060-1473/998-404	4950 (550)



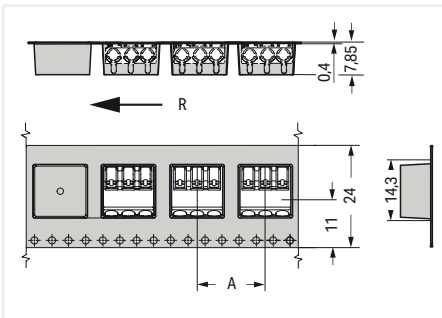
L = (pole no. x pin spacing) - 0.1 mm



L = (pole no. x pin spacing) - 0.1 mm



R = Feed direction  
 A = (pole no. x pin spacing) + 4 mm



R = Feed direction  
 A = (pole no. x pin spacing) + 4 mm

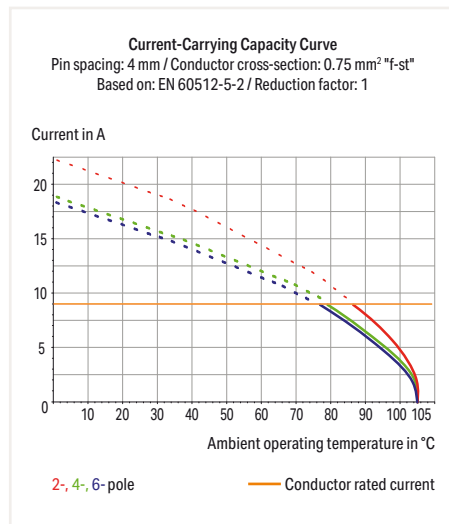
PU = Packaging Unit; SPU = Subpackaging Unit; Dimensions in mm

**THR PCB Terminal Block ▶ 2060 Series**

Push-in CAGE CLAMP® ▶ Actuation type: Push-button ▶ 0.75 mm<sup>2</sup> ▶ Pin spacing: 8 mm (0.314 inch) ▶ Solder pin length: 2.4 mm



- THR PCB terminal blocks with push-buttons and Push-in CAGE CLAMP® connection
- Push-in termination of solid and ferruled conductors
- Convenient termination/removal of fine-stranded conductors via push-buttons
- Just 4.5 mm tall
- Available in tape-and-reel packaging for automated assembly
- Also suitable for wave soldering

**Electrical Data**

Pin spacing	8 mm (0.314 inch)		
Ratings per	IEC/EN 60664-1		
Overvoltage category	III	III	II
Pollution degree	3	2	2
Rated voltage	400 V	630 V	1000 V
Rated impulse voltage	6 kV	6 kV	6 kV
Rated current	9 A	9 A	9 A

**Connection Data**

Connection technology	Push-in CAGE CLAMP®
Strip length	6 ... 7 mm / 0.24 ... 0.28 inch
Conductor entry angle to the PCB	0°
Solid conductor	0.2 ... 0.75 mm <sup>2</sup> / 24 ... 18 AWG
Fine-stranded conductor	0.2 ... 0.75 mm <sup>2</sup> / 24 ... 18 AWG
Fine-stranded conductor with ferrule with plastic collar	0.25 ... 0.34 mm <sup>2</sup>
Fine-stranded conductor with ferrule without plastic collar	0.25 ... 0.34 mm <sup>2</sup>

**Material Data**

Material group	I
Insulating material	Polyphthalamide (PPA GF)
Flammability class per UL94	V0
Contact material	Copper alloy
Contact plating	Tin-plated

**Mechanical Data**

Solder pin arrangement	Over the entire terminal strip, in line
Solder pin length	2.4 mm
Solder pin dimensions	1.2 x 0.75 mm
Plated through-hole diameter (THR)	1.5 <sup>(+0.1)</sup> mm
Reel diameter of tape-and-reel packaging	330 mm

**Environmental Requirements**

Limit temperature range	-60 ... +105 °C
-------------------------	-----------------

**Application note:**

Suitable for lead-free, reflow-soldering profiles per DIN EN 61760-1 and IEC 60068-2-58 up to max. 260 °C peak temperature. Due to customer-specific variables (e.g., component configuration and orientation, type of soldering machine, solder paste), trial runs are recommended to ensure product and process compatibility under actual manufacturing conditions.

**Recommendation for stencil:**

150 µm material thickness The stencil hole diameter is identical to the outer diameter of the metal-plated PCB hole.

**Recommendation for stencil:**

150 µm material thickness The stencil hole diameter is identical to the outer diameter of the metal-plated PCB hole.

THR-soldering process	Page 258
Ferrule	Page 847
Tools	Page 289
Additional information, see "Technical Section"	
Approvals and corresponding ratings, visit <a href="http://www.wago.com">www.wago.com</a>	

### THR PCB Terminal Block ▶ 2060 Series

Push-in CAGE CLAMP® ▶ Actuation type: Push-button ▶ 0.75 mm<sup>2</sup> ▶ Pin spacing: 8 mm  
 (0.314 inch) ▶ Solder pin length: 2.4 mm

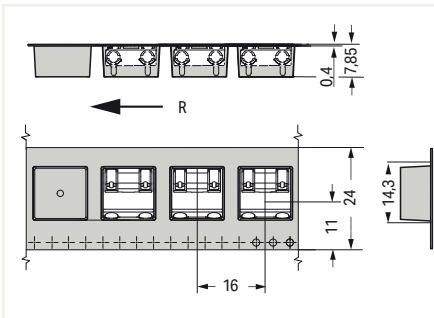
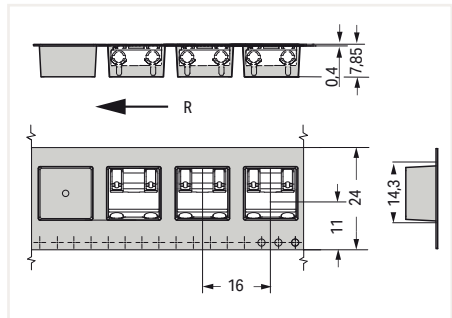
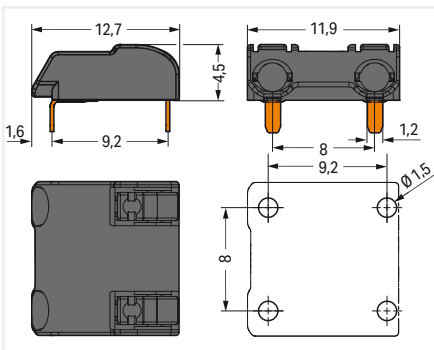
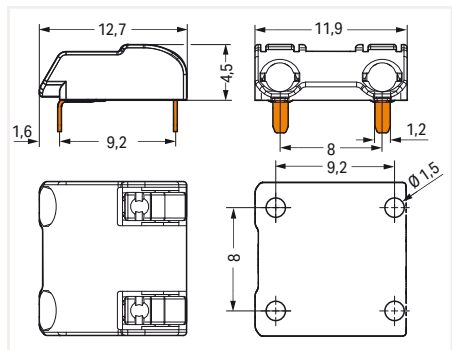
Color: white

Color: black



Pole No.	Item No.	PU (SPU)
2	2060-1852/998-404	4950 (550)

Pole No.	Item No.	PU (SPU)
2	2060-1872/998-404	4950 (550)



R = Feed direction

R = Feed direction



Insert solid conductors via push-in termination.



Insert/remove fine-stranded conductors by lightly pressing on push-button (e.g., via 206-860 Operating Tool).

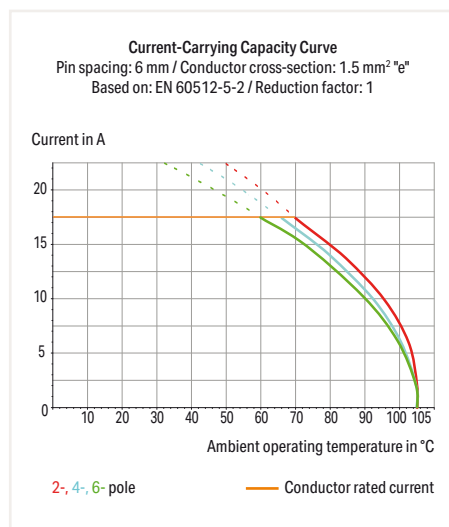
2

## THR PCB Terminal Block ▶ 2061 Series

Push-in CAGE CLAMP® ▶ Actuation type: Push-button ▶ 1.5 mm<sup>2</sup> ▶ Pin spacing: 6 mm (0.24 inch) ▶ Solder pin length: 1.5 mm



- THR PCB terminal blocks with push-buttons and Push-in CAGE CLAMP® connection
- Push-in termination of solid and ferruled conductors
- Push-buttons simplify insertion/removal of all conductor types
- Just 5.6 mm tall
- Available in tape-and-reel packaging for automated assembly
- Also suitable for wave soldering
- Assemble terminal blocks without pole loss



Electrical Data			
Pin spacing	6 mm (0.24 inch)		
Ratings per	IEC/EN 60664-1		
Overvoltage category	III	III	II
Pollution degree	3	2	2
Rated voltage	250 V	320 V	630 V
Rated impulse voltage	4 kV	4 kV	4 kV
Rated current	17.5 A	17.5 A	17.5 A
Approvals per	UL 1059		
Use Group	B	C	D
Rated voltage	600 V	-	600 V
Rated current	10 A	-	5 A

Connection Data	
Connection technology	Push-in CAGE CLAMP®
Strip length	7 ... 10 mm / 0.28 ... 0.39 inch
Conductor entry angle to the PCB	0°
Solid conductor	0.5 ... 1.5 mm <sup>2</sup> / 20 ... 16 AWG
Fine-stranded conductor	0.5 ... 1.5 mm <sup>2</sup> / 20 ... 16 AWG
Fine-stranded conductor with ferrule with plastic collar	0.5 ... 0.75 mm <sup>2</sup>
Fine-stranded conductor with ferrule without plastic collar	0.5 ... 0.75 mm <sup>2</sup>

Material Data	
Material group	I
Insulating material	Polyphthalamide (PPA GF)
Flammability class per UL94	V0
Contact material	Copper alloy
Contact plating	Tin-plated

Mechanical Data	
Solder pin arrangement	within the terminal block, in line
Solder pin length	1.5 mm
Solder pin dimensions	1.2 x 0.35 mm
Plated through-hole diameter (THR)	1.5 <sup>(+0.1)</sup> mm
Reel diameter of tape-and-reel packaging	330 mm

Environmental Requirements	
Limit temperature range	-60 ... +105 °C

### Application note:

Suitable for lead-free, reflow-soldering profiles per DIN EN 61760-1 and IEC 60068-2-58 up to max. 260 °C peak temperature. Due to customer-specific variables (e.g., component configuration and orientation, type of soldering machine, solder paste), trial runs are recommended to ensure product and process compatibility under actual manufacturing conditions.

### Recommendation for stencil:

150 µm material thickness The stencil hole diameter is identical to the outer diameter of the metal-plated PCB hole.

THR-soldering process	Page 258
Ferrule	Page 847
Tools	Page 289
Additional information, see "Technical Section"	
Approvals and corresponding ratings, visit <a href="http://www.wago.com">www.wago.com</a>	

### THR PCB Terminal Block ▶ 2061 Series

Push-in CAGE CLAMP® ▶ Actuation type: Push-button ▶ 1.5 mm<sup>2</sup> ▶ Pin spacing: 6 mm (0.24 inch) ▶ Solder pin length: 1.5 mm

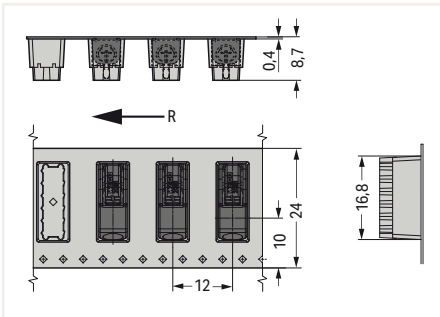
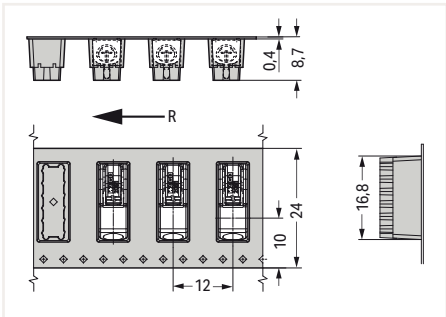
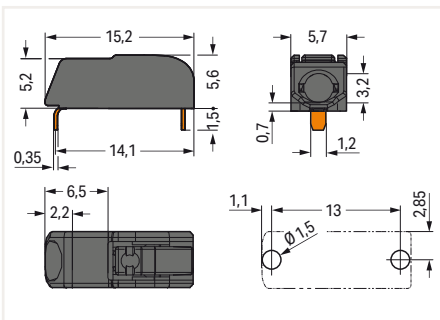
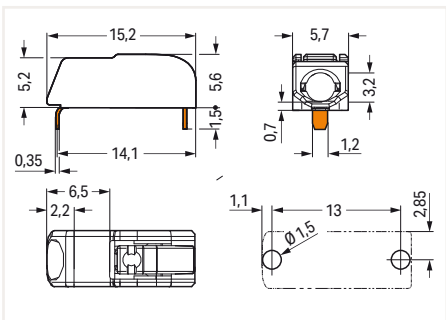
Color: white

Color: black



Pole No.	Item No.	PU (SPU)
1	2061-1641/998-404	5760 (640)

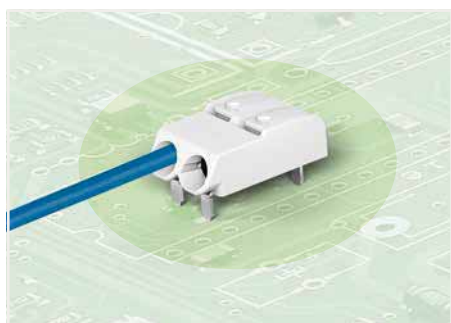
Pole No.	Item No.	PU (SPU)
1	2061-1661/998-404	5760 (640)



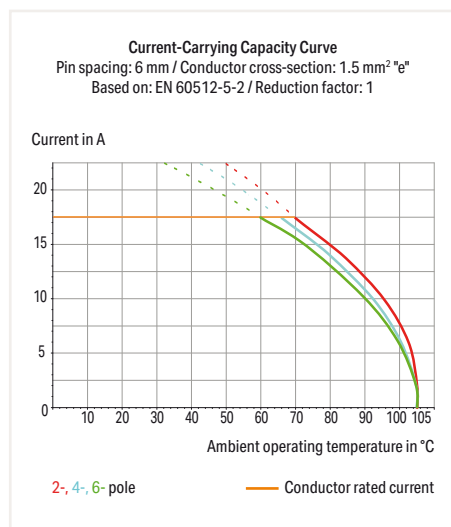
PU = Packaging Unit; SPU = Subpackaging Unit; Dimensions in mm

## THR PCB Terminal Block ▶ 2061 Series

Push-in CAGE CLAMP® ▶ Actuation type: Push-button ▶ 1.5 mm<sup>2</sup> ▶ Pin spacing: 6 mm (0.24 inch) ▶ Solder pin length: 1.5 mm



- THR PCB terminal blocks with push-buttons and Push-in CAGE CLAMP® connection
- Push-in termination of solid and ferruled conductors
- Push-buttons simplify insertion/removal of all conductor types
- Just 5.6 mm tall
- Available in tape-and-reel packaging for automated assembly
- Also suitable for wave soldering
- Assemble terminal blocks without pole loss



Electrical Data			
Pin spacing	6 mm (0.24 inch)		
Ratings per	IEC/EN 60664-1		
Overvoltage category	III	III	II
Pollution degree	3	2	2
Rated voltage	250 V	320 V	630 V
Rated impulse voltage	4 kV	4 kV	4 kV
Rated current	17.5 A	17.5 A	17.5 A
Approvals per	UL 1059		
Use Group	B	C	D
Rated voltage	300 V	-	300 V
Rated current	10 A	-	10 A

Connection Data	
Connection technology	Push-in CAGE CLAMP®
Strip length	7 ... 10 mm / 0.28 ... 0.39 inch
Conductor entry angle to the PCB	0°
Solid conductor	0.5 ... 1.5 mm <sup>2</sup> / 20 ... 16 AWG
Fine-stranded conductor	0.5 ... 1.5 mm <sup>2</sup> / 20 ... 16 AWG
Fine-stranded conductor with ferrule with plastic collar	0.5 ... 0.75 mm <sup>2</sup>
Fine-stranded conductor with ferrule without plastic collar	0.5 ... 0.75 mm <sup>2</sup>

Material Data	
Material group	I
Insulating material	Polyphthalamide (PPA GF)
Flammability class per UL94	V0
Contact material	Copper alloy
Contact plating	Tin-plated

Mechanical Data	
Solder pin arrangement	Over the entire terminal strip, in line
Solder pin length	1.5 mm
Solder pin dimensions	1.2 x 0.35 mm
Plated through-hole diameter (THR)	1.5 <sup>(+0.1)</sup> mm
Reel diameter of tape-and-reel packaging	330 mm

Environmental Requirements	
Limit temperature range	-60 ... +105 °C

### Application note:

Suitable for lead-free, reflow-soldering profiles per DIN EN 61760-1 and IEC 60068-2-58 up to max. 260 °C peak temperature. Due to customer-specific variables (e.g., component configuration and orientation, type of soldering machine, solder paste), trial runs are recommended to ensure product and process compatibility under actual manufacturing conditions.

### Recommendation for stencil:

150 µm material thickness The stencil hole diameter is identical to the outer diameter of the metal-plated PCB hole.

THR-soldering process	Page 258
Ferrule	Page 847
Tools	Page 289
Additional information, see "Technical Section"	
Approvals and corresponding ratings, visit <a href="http://www.wago.com">www.wago.com</a>	

### THR PCB Terminal Block ▶ 2061 Series

Push-in CAGE CLAMP® ▶ Actuation type: Push-button ▶ 1.5 mm<sup>2</sup> ▶ Pin spacing: 6 mm (0.24 inch) ▶ Solder pin length: 1.5 mm

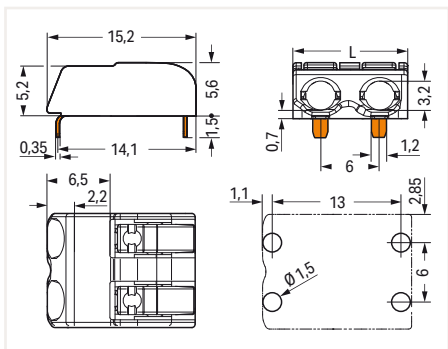
Color: white

Color: black

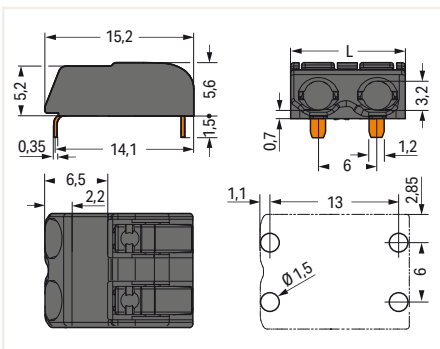


Pole No.	Item No.	PU (SPU)
2	2061-1642/998-404	4320 (480)
3	2061-1643/998-404	2880 (320)

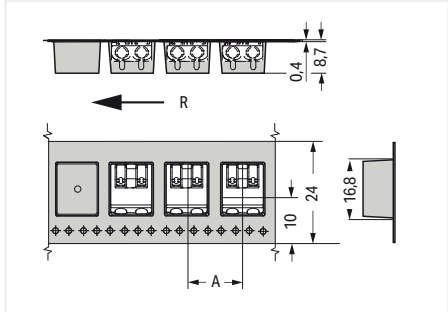
Pole No.	Item No.	PU (SPU)
2	2061-1662/998-404	4320 (480)
3	2061-1663/998-404	2880 (320)



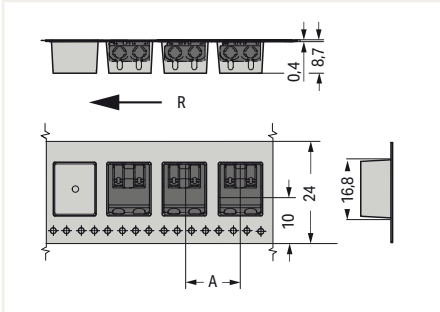
L = (pole no. x pin spacing) – 0.3 mm



L = (pole no. x pin spacing) – 0.3 mm



R = Feed direction  
 A = 12 mm (1-pole)  
 A = 16 mm (2-pole)  
 A = 22 mm (3-pole)

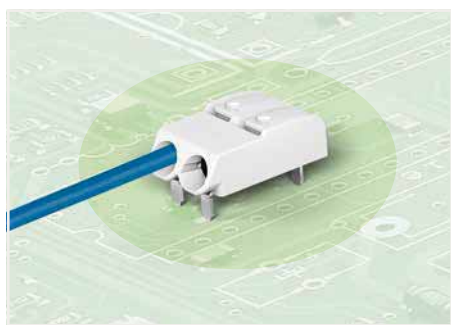


R = Feed direction  
 A = 12 mm (1-pole)  
 A = 16 mm (2-pole)  
 A = 22 mm (3-pole)

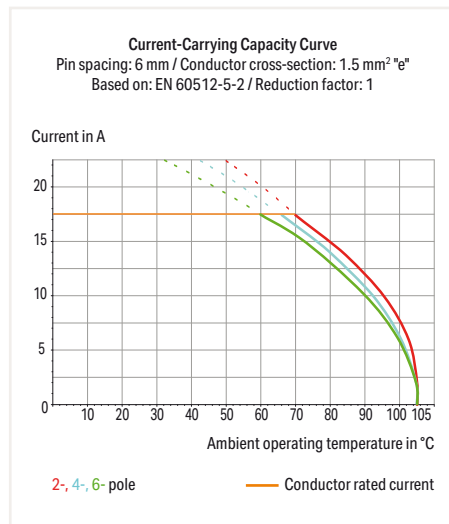
PU = Packaging Unit; SPU = Subpackaging Unit; Dimensions in mm

## THR PCB Terminal Block ▶ 2061 Series

Push-in CAGE CLAMP® ▶ Actuation type: Push-button ▶ 1.5 mm<sup>2</sup> ▶ Pin spacing: 6 mm (0.24 inch) ▶ Solder pin length: 2.4 mm



- THR PCB terminal blocks with push-buttons and Push-in CAGE CLAMP® connection
- Push-in termination of solid and ferruled conductors
- Push-buttons simplify insertion/removal of all conductor types
- Just 5.6 mm tall
- Available in tape-and-reel packaging for automated assembly
- Also suitable for wave soldering
- Assemble terminal blocks without pole loss



Electrical Data			
Pin spacing	6 mm (0.24 inch)		
Ratings per	IEC/EN 60664-1		
Overvoltage category	III	III	II
Pollution degree	3	2	2
Rated voltage	250 V	320 V	630 V
Rated impulse voltage	4 kV	4 kV	4 kV
Rated current	17.5 A	17.5 A	17.5 A
Approvals per	UL 1059		
Use Group	B	C	D
Rated voltage	600 V	-	600 V
Rated current	10 A	-	5 A

Connection Data	
Connection technology	Push-in CAGE CLAMP®
Strip length	7 ... 10 mm / 0.28 ... 0.39 inch
Conductor entry angle to the PCB	0°
Solid conductor	0.5 ... 1.5 mm <sup>2</sup> / 20 ... 16 AWG
Fine-stranded conductor	0.5 ... 1.5 mm <sup>2</sup> / 20 ... 16 AWG
Fine-stranded conductor with ferrule with plastic collar	0.5 ... 0.75 mm <sup>2</sup>
Fine-stranded conductor with ferrule without plastic collar	0.5 ... 0.75 mm <sup>2</sup>

Material Data	
Material group	I
Insulating material	Polyphthalamide (PPA GF)
Flammability class per UL94	V0
Contact material	Copper alloy
Contact plating	Tin-plated

Mechanical Data	
Solder pin arrangement	within the terminal block, in line
Solder pin length	2.4 mm
Solder pin dimensions	1.2 x 0.35 mm
Plated through-hole diameter (THR)	1.5 <sup>(+0.1)</sup> mm
Reel diameter of tape-and-reel packaging	330 mm

Environmental Requirements	
Limit temperature range	-60 ... +105 °C

### Application note:

Suitable for lead-free, reflow-soldering profiles per DIN EN 61760-1 and IEC 60068-2-58 up to max. 260 °C peak temperature. Due to customer-specific variables (e.g., component configuration and orientation, type of soldering machine, solder paste), trial runs are recommended to ensure product and process compatibility under actual manufacturing conditions.

### Recommendation for stencil:

150 µm material thickness The stencil hole diameter is identical to the outer diameter of the metal-plated PCB hole.

THR-soldering process	Page 258
Ferrule	Page 847
Tools	Page 289
Additional information, see "Technical Section"	
Approvals and corresponding ratings, visit <a href="http://www.wago.com">www.wago.com</a>	



### THR PCB Terminal Block ▶ 2061 Series

Push-in CAGE CLAMP® ▶ Actuation type: Push-button ▶ 1.5 mm<sup>2</sup> ▶ Pin spacing: 6 mm (0.24 inch) ▶ Solder pin length: 2.4 mm

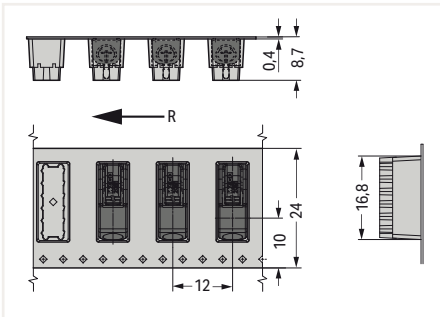
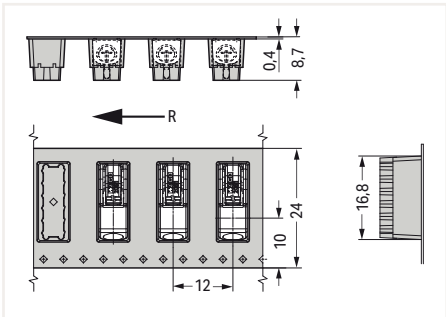
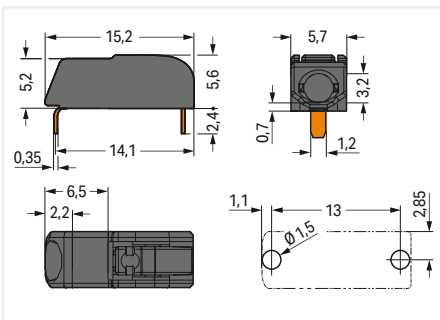
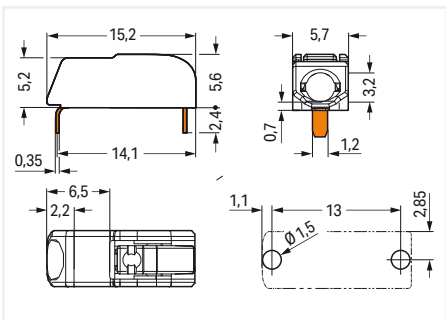
Color: white

Color: black



Pole No.	Item No.	PU (SPU)
1	2061-1601/998-404	5760 (640)

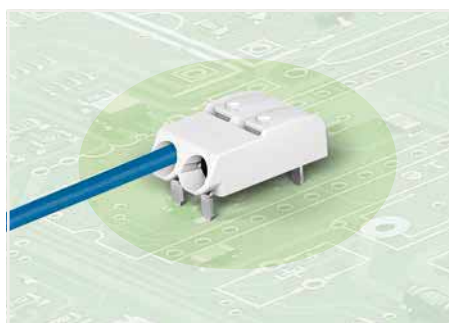
Pole No.	Item No.	PU (SPU)
1	2061-1621/998-404	5760 (640)



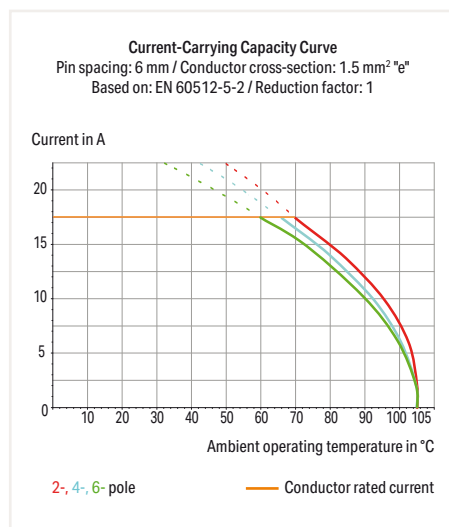
PU = Packaging Unit; SPU = Subpackaging Unit; Dimensions in mm

## THR PCB Terminal Block ▶ 2061 Series

Push-in CAGE CLAMP® ▶ Actuation type: Push-button ▶ 1.5 mm<sup>2</sup> ▶ Pin spacing: 6 mm (0.24 inch) ▶ Solder pin length: 2.4 mm



- THR PCB terminal blocks with push-buttons and Push-in CAGE CLAMP® connection
- Push-in termination of solid and ferruled conductors
- Push-buttons simplify insertion/removal of all conductor types
- Just 5.6 mm tall
- Available in tape-and-reel packaging for automated assembly
- Also suitable for wave soldering
- Assemble terminal blocks without pole loss



### Electrical Data

Pin spacing	6 mm (0.24 inch)		
Ratings per	IEC/EN 60664-1		
Overvoltage category	III	III	II
Pollution degree	3	2	2
Rated voltage	250 V	320 V	630 V
Rated impulse voltage	4 kV	4 kV	4 kV
Rated current	17.5 A	17.5 A	17.5 A
Approvals per	UL 1059		
Use Group	B	C	D
Rated voltage	300 V	-	300 V
Rated current	10 A	-	10 A

### Connection Data

Connection technology	Push-in CAGE CLAMP®
Strip length	7 ... 10 mm / 0.28 ... 0.39 inch
Conductor entry angle to the PCB	0°
Solid conductor	0.5 ... 1.5 mm <sup>2</sup> / 20 ... 16 AWG
Fine-stranded conductor	0.5 ... 1.5 mm <sup>2</sup> / 20 ... 16 AWG
Fine-stranded conductor with ferrule with plastic collar	0.5 ... 0.75 mm <sup>2</sup>
Fine-stranded conductor with ferrule without plastic collar	0.5 ... 0.75 mm <sup>2</sup>

### Material Data

Material group	I
Insulating material	Polyphthalamide (PPA GF)
Flammability class per UL94	V0
Contact material	Copper alloy
Contact plating	Tin-plated

### Mechanical Data

Solder pin arrangement	Over the entire terminal strip, in line
Solder pin length	2.4 mm
Solder pin dimensions	1.2 x 0.35 mm
Plated through-hole diameter (THR)	1.5 <sup>(+0.1)</sup> mm
Reel diameter of tape-and-reel packaging	330 mm

### Environmental Requirements

Limit temperature range	-60 ... +105 °C
-------------------------	-----------------

#### Application note:

Suitable for lead-free, reflow-soldering profiles per DIN EN 61760-1 and IEC 60068-2-58 up to max. 260 °C peak temperature. Due to customer-specific variables (e.g., component configuration and orientation, type of soldering machine, solder paste), trial runs are recommended to ensure product and process compatibility under actual manufacturing conditions.

#### Recommendation for stencil:

150 µm material thickness The stencil hole diameter is identical to the outer diameter of the metal-plated PCB hole.

THR-soldering process	Page 258
Ferrule	Page 847
Tools	Page 289
Additional information, see "Technical Section"	
Approvals and corresponding ratings, visit <a href="http://www.wago.com">www.wago.com</a>	

### THR PCB Terminal Block ▶ 2061 Series

Push-in CAGE CLAMP® ▶ Actuation type: Push-button ▶ 1.5 mm<sup>2</sup> ▶ Pin spacing: 6 mm (0.24 inch) ▶ Solder pin length: 2.4 mm

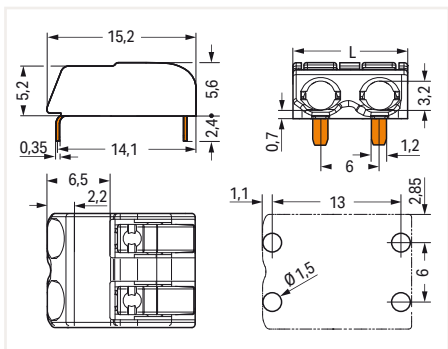
Color: white

Color: black

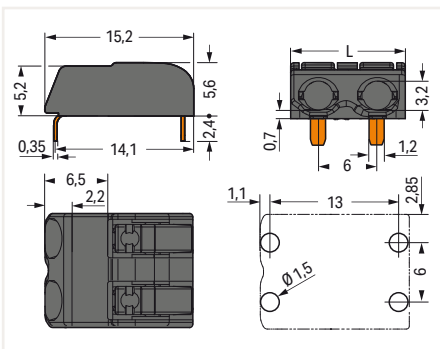


Pole No.	Item No.	PU (SPU)
2	2061-1602/998-404	4320 (480)
3	2061-1603/998-404	2880 (320)

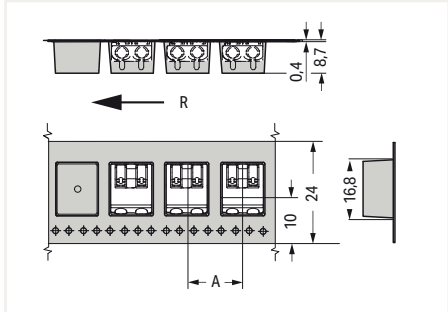
Pole No.	Item No.	PU (SPU)
2	2061-1622/998-404	4320 (480)
3	2061-1623/998-404	2880 (320)



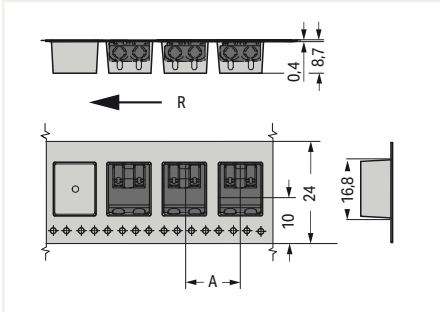
L = (pole no. x pin spacing) – 0.3 mm



L = (pole no. x pin spacing) – 0.3 mm



R = Feed direction  
 A = 12 mm (1-pole)  
 A = 16 mm (2-pole)  
 A = 22 mm (3-pole)

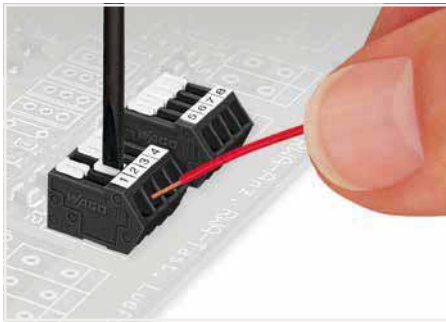


R = Feed direction  
 A = 12 mm (1-pole)  
 A = 16 mm (2-pole)  
 A = 22 mm (3-pole)

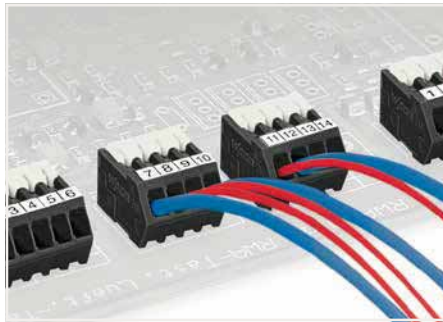
PU = Packaging Unit; SPU = Subpackaging Unit; Dimensions in mm

## 218 Series Description and Installation

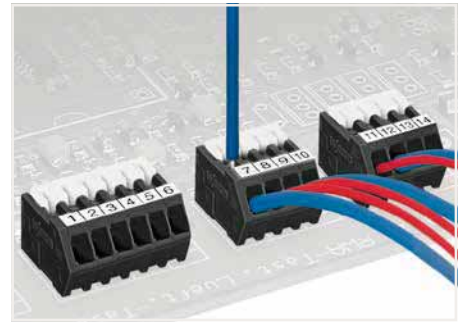
2



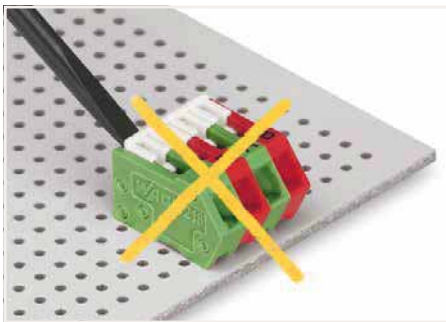
Terminating stranded conductors in confined spaces requires a great deal of patience, unless you use the new 218 Series PCB Terminal Strips. The clamping units of these strips can be held open during termination process via integrated locking slide.



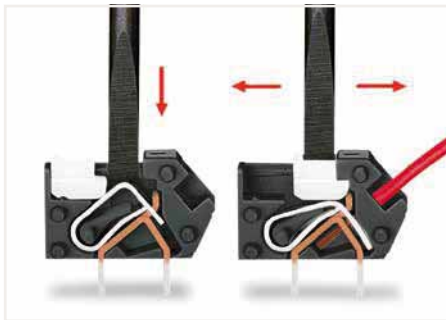
Terminating 0.75 mm<sup>2</sup> (18 AWG) conductors is possible; however, insulation diameter allows only every other clamping unit to be terminated with this conductor size.



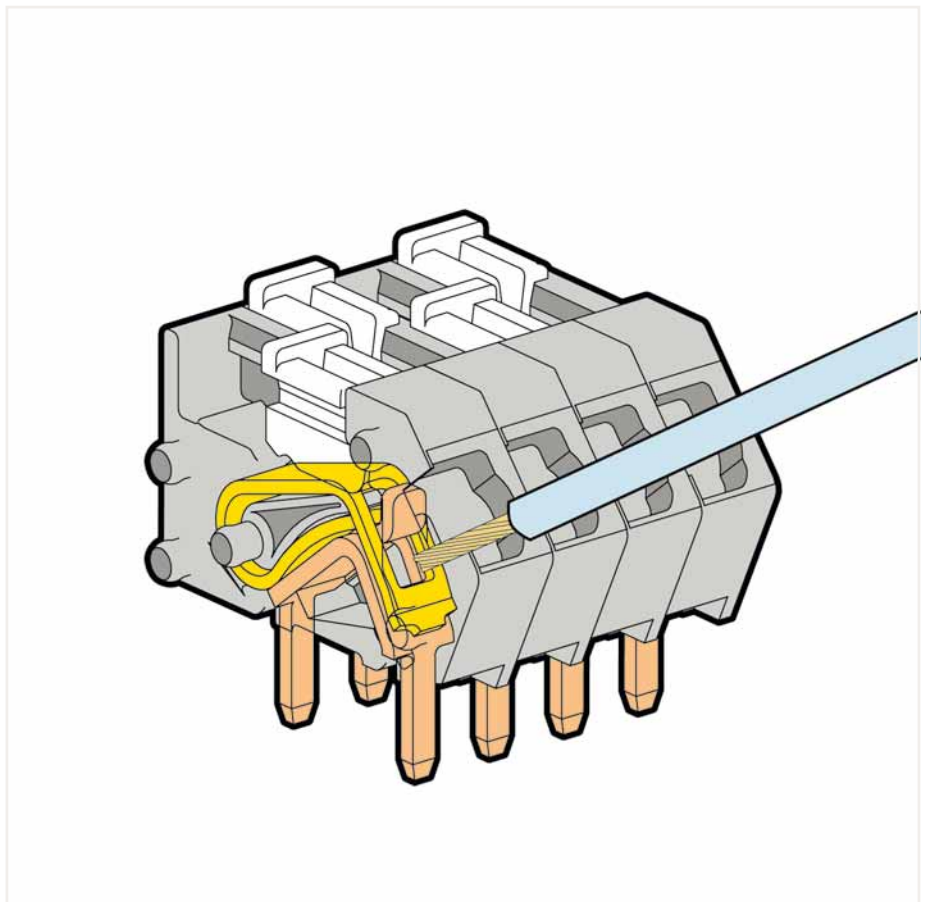
Testing directly on the clamping spring.



Incorrect – do not operate the locking slides from the back.



Conductor termination: To momentarily open the clamping unit, use screwdriver and then insert a stripped conductor. To open clamping unit for an extended period, move locking slide toward conductor entry hole. Then fully insert stripped conductor and move locking slide back to original position (also possible to perform with fingernail).



218 Series

## 236 and 250 Series Description and Installation



Inserting a conductor via 3.5 mm screwdriver.  
Screwdriver actuation parallel to conductor entry.



Inserting a conductor via 3.5 mm screwdriver.  
Screwdriver actuation perpendicular to conductor entry.



Inserting a conductor via operating tool.



Inserting solid conductors via push-in termination.  
Inserting fine-stranded conductors via push-buttons,  
250 Series – 3.5 mm pin spacing.



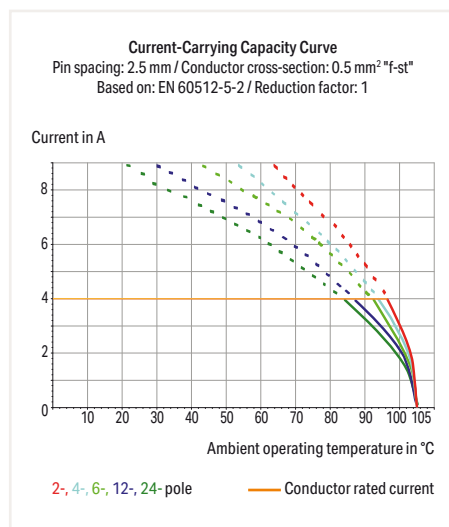
Testing with 11 mm Ø test pin, on the conductor,  
250 Series – 2.5 ... 3.5 mm pin spacing.

## THR PCB Terminal Block ▶ 250 Series

Push-in CAGE CLAMP® ▶ Actuation type: Push-button ▶ Terminal strip ▶ 0.5 mm<sup>2</sup> ▶ Pin spacing: 2.5 mm (0.098 inch) ▶ Color: black



- Cost-effective integration of high-temperature resistant THR terminal strips into SMT reflow soldering processes
- Push-in termination of solid and ferruled conductors
- Termination/removal of fine-stranded conductors via push-buttons
- 45° conductor entry angle provides easy, space-saving wiring



Electrical Data			
Pin spacing	2.5 mm (0.098 inch)		
Ratings per	IEC/EN 60664-1		
Overvoltage category	III	III	II
Pollution degree	3	2	2
Rated voltage	160 V	160 V	250 V
Rated impulse voltage	2.5 kV	2.5 kV	2.5 kV
Rated current	4 A	4 A	4 A
Approvals per	UL 1059		
Use Group	B	C	D
Rated voltage	300 V	-	300 V
Rated current	5 A	-	5 A
Approvals per	CSA		
Use Group	B	C	D
Rated voltage	300 V	-	300 V
Rated current	5 A	-	5 A

Connection Data	
Connection technology	Push-in CAGE CLAMP®
Strip length	8.5 ... 9.5 mm / 0.33 ... 0.37 inch
Conductor entry angle to the PCB	45°
Solid conductor	0.14 ... 0.5 mm <sup>2</sup> / 24 ... 20 AWG
Fine-stranded conductor	0.2 ... 0.5 mm <sup>2</sup> / 24 ... 20 AWG
Conductor diameter	0.4 ... 0.8 mm / 24 ... 20 AWG

Material Data	
Material group	III a
Insulating material	Polyamide 46 (PA 46)
Flammability class per UL94	V2
Clamping spring material	Copper alloy
Contact plating	Tin-plated

Mechanical Data	
Solder pin arrangement	Over the entire terminal strip, staggered
Solder pin length	2.4 mm
Solder pin dimensions	0.4 x 0.75 mm
Plated through-hole diameter (THR)	1 <sup>(±0.1)</sup> mm

Environmental Requirements	
Limit temperature range	-60 ... +115 °C

THR-soldering process Page 258

Marking Page 832

Testing and measuring Page 854

Tools Page 838

Additional information, see "Technical Section"

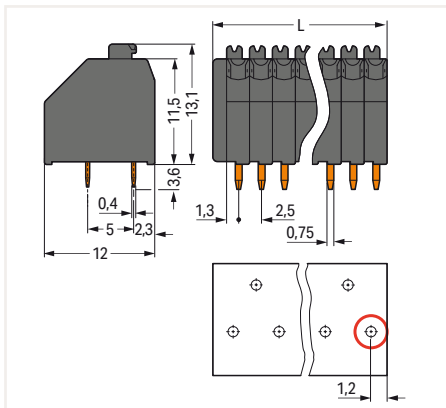
Approvals and corresponding ratings, visit [www.wago.com](http://www.wago.com)

## THR PCB Terminal Block ▶ 250 Series

Push-in CAGE CLAMP® ▶ Actuation type: Push-button ▶ Terminal strip ▶ 0.5 mm<sup>2</sup> ▶ Pin spacing: 2.5 mm (0.098 inch) ▶ Color: black



Pole No.	Item No.	PU (SPU)
2	250-402/350-604	720 (180)
3	250-403/350-604	520 (130)
4	250-404/350-604	400 (100)
5	250-405/350-604	340 (85)
6	250-406/350-604	280 (70)
7	250-407/350-604	240 (60)
8	250-408/350-604	220 (55)



$L = (\text{pole no.} \times \text{pin spacing}) + 1.5 \text{ mm}$   
 First solder pin, front right (red circle)

PU = Packaging Unit; SPU = Subpackaging Unit; Dimensions in mm

Other variants can be requested via the WAGO sales department or, if necessary, configured at <https://configurator.wago.com/>:

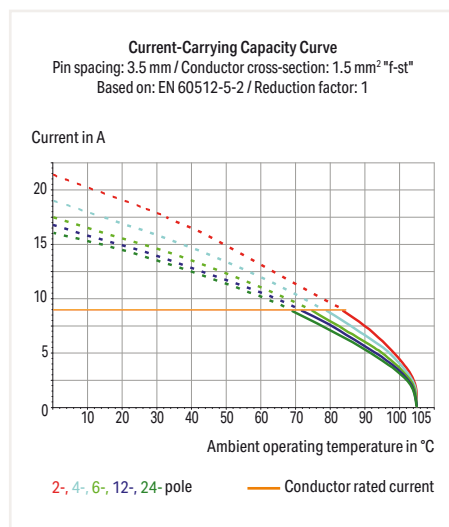
- Other pole numbers
- Direct marking

## THR PCB Terminal Block ▶ 250 Series

Push-in CAGE CLAMP® ▶ Actuation type: Push-button ▶ Terminal strip ▶ 1.5 mm<sup>2</sup> ▶ Pin spacing: 3.5 mm (0.138 inch) ▶ Color: black



- Cost-effective integration of high-temperature resistant THR terminal strips into SMT reflow soldering processes
- Versions with suction pads are available in tape-and-reel packaging for automated assembly
- Push-in termination of solid and ferruled conductors
- Termination/removal of fine-stranded conductors via push-buttons
- 45° conductor entry angle provides easy, space-saving wiring



Electrical Data			
Pin spacing	3.5 mm (0.138 inch)		
Ratings per	IEC/EN 60664-1		
Overvoltage category	III	III	II
Pollution degree	3	2	2
Rated voltage	200 V	320 V	320 V
Rated impulse voltage	4 kV	4 kV	4 kV
Rated current	8 A	8 A	8 A
Approvals per	UL 1059		
Use Group	B	C	D
Rated voltage	300 V	-	300 V
Rated current	5 A	-	5 A
Approvals per	CSA		
Use Group	B	C	D
Rated voltage	300 V	-	300 V
Rated current	10 A	-	10 A

Connection Data	
Connection technology	Push-in CAGE CLAMP®
Strip length	8.5 ... 9.5 mm / 0.33 ... 0.37 inch
Conductor entry angle to the PCB	45°
Solid conductor	0.2 ... 1.5 mm <sup>2</sup> / 24 ... 16 AWG
Fine-stranded conductor	0.2 ... 1.5 mm <sup>2</sup> / 24 ... 16 AWG
Fine-stranded conductor with ferrule with plastic collar	0.25 ... 1 mm <sup>2</sup>
Fine-stranded conductor with ferrule without plastic collar	0.25 ... 1 mm <sup>2</sup>

Material Data	
Material group	III a
Insulating material	Polyamide 46 (PA 46)
Flammability class per UL94	V2
Clamping spring material	Copper alloy
Contact plating	Tin-plated

Mechanical Data	
Solder pin arrangement	Over the entire terminal strip, staggered
Solder pin length	2.4 mm
Solder pin dimensions	0.4 x 0.75 mm
Plated through-hole diameter (THR)	1 <sup>(+0.1)</sup> mm

Environmental Requirements	
Limit temperature range	-60 ... +115 °C

THR-soldering process Page 258

Ferrule Page 847

Marking Page 832

Testing and measuring Page 854

Tools Page 838

Additional information, see "Technical Section"

Approvals and corresponding ratings, visit [www.wago.com](http://www.wago.com)



### THR PCB Terminal Block ▶ 250 Series

Push-in CAGE CLAMP® ▶ Actuation type: Push-button ▶ Terminal strip ▶ 1.5 mm<sup>2</sup> ▶ Pin spacing: 3.5 mm (0.138 inch) ▶ Color: black

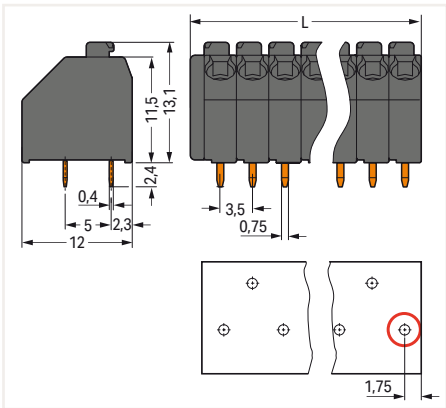
Suitable for automated assembly



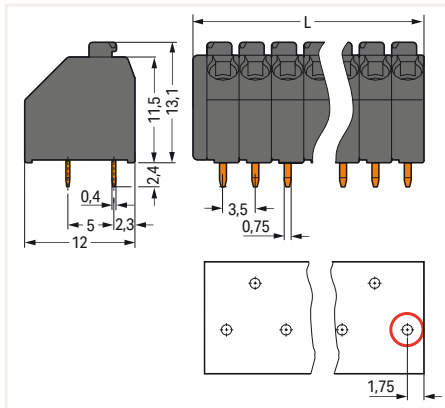
2

Pole No.	Item No.	PU (SPU)
2	250-202/353-604	560 (140)
3	250-203/353-604	400 (100)
4	250-204/353-604	300 (75)
5	250-205/353-604	240 (60)
6	250-206/353-604	200 (50)
7	250-207/353-604	180 (45)
8	250-208/353-604	160 (40)

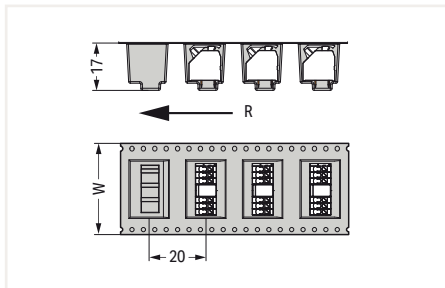
Pole No.	Tape width	Item No.	PU
2	24 mm	250-202/353-604/997-404	160
3	24 mm	250-203/353-604/997-404	160
4	32 mm	250-204/353-604/997-405	160
5	32 mm	250-205/353-604/997-405	160
6	44 mm	250-206/353-604/997-406	160
7	44 mm	250-207/353-604/997-406	160
8	44 mm	250-208/353-604/997-406	160



L = (pole no. x pin spacing) + 1.5 mm  
First solder pin, front right (red circle)



L = (pole no. x pin spacing) + 1.5 mm  
First solder pin, front right (red circle)



W= Tape width  
R = Feed direction

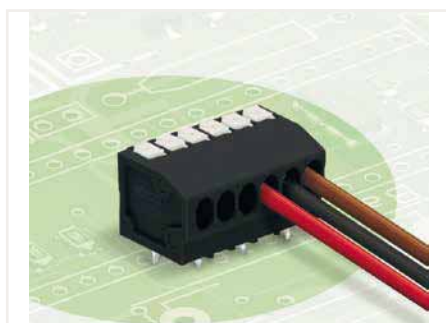
PU = Packaging Unit; SPU = Subpackaging Unit; Dimensions in mm

Other variants can be requested via the WAGO sales department or, if necessary, configured at <https://configurator.wago.com/>:

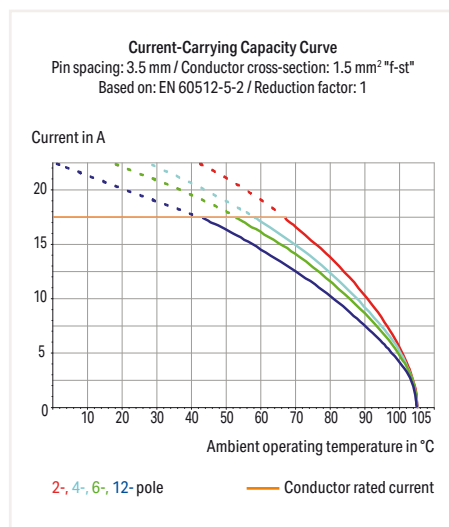
- Other pole numbers
- Direct marking

**THR PCB Terminal Block ▶ 805 Series**

Push-in CAGE CLAMP® ▶ Actuation type: Push-button ▶ Terminal strip ▶ Pin spacing: 3.5 mm (0.138 inch) ▶ 1.5 mm<sup>2</sup> ▶ Color: black



- THR PCB terminal strips with push-buttons and Push-in CAGE CLAMP® connection
- Push-in termination of solid and ferruled, fine-stranded conductors
- Flush-mount push-buttons that close with minimal force for convenient termination/removal of fine-stranded conductors
- Convenient, tool-free operation

**Electrical Data**

Pin spacing	3.5 mm (0.138 inch)		
Ratings per	IEC/EN 60664-1		
Overvoltage category	III	III	II
Pollution degree	3	2	2
Rated voltage	200 V	320 V	320 V
Rated impulse voltage	4 kV	4 kV	4 kV
Rated current	17.5 A	17.5 A	17.5 A

**Connection Data**

Connection technology	Push-in CAGE CLAMP®
Strip length	9 ... 10 mm / 0.35 ... 0.39 inch
Conductor entry angle to the PCB	0°
Solid conductor	0.2 ... 1.5 mm <sup>2</sup> / 24 ... 16 AWG
Fine-stranded conductor	0.2 ... 1.5 mm <sup>2</sup> / 24 ... 16 AWG
Fine-stranded conductor with ferrule with plastic collar	0.25 ... 1 mm <sup>2</sup>
Fine-stranded conductor with ferrule without plastic collar	0.25 ... 1 mm <sup>2</sup>

**Material Data**

Material group	III a
Insulating material	Polyamide 46 (PA 46)
Flammability class per UL94	V2
Clamping spring material	Chrome nickel spring steel (CrNi)
Contact material	Electrolytic copper (Ecu)
Contact plating	Tin-plated

**Mechanical Data**

Solder pin arrangement	Over the entire terminal strip, staggered
Solder pin length	2.2 mm
Solder pin dimensions	0.5 x 0.75 mm
Plated through-hole diameter (THR)	1.1 (+0.1) mm
Reel diameter of tape-and-reel packaging	330 mm

**Environmental Requirements**

Limit temperature range	-60 ... +105 °C
-------------------------	-----------------

THR-soldering process Page 258

Ferrule Page 847

Marking Page 832

Tools Page 838

Additional information, see "Technical Section"

Approvals and corresponding ratings, visit [www.wago.com](http://www.wago.com)

### THR PCB Terminal Block ▶ 805 Series

Push-in CAGE CLAMP® ▶ Actuation type: Push-button ▶ Terminal strip ▶ Pin spacing: 3.5 mm (0.138 inch) ▶ 1.5 mm<sup>2</sup> ▶ Color: black

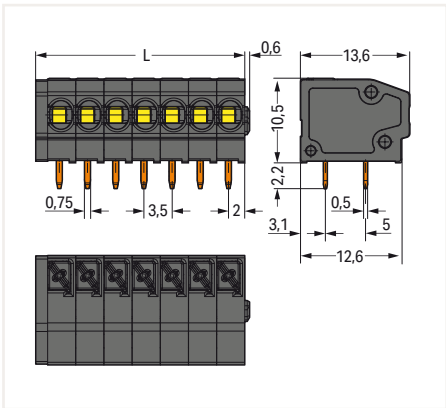
Suitable for automated assembly



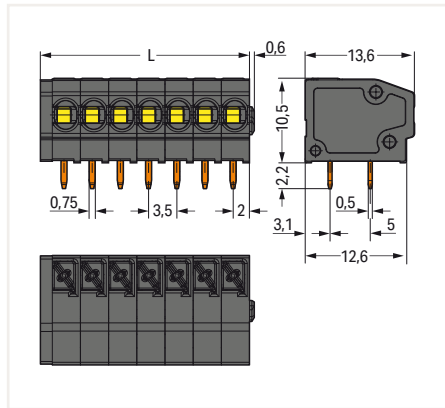
2

Pole No.	Item No.	PU (SPU)
2	805-302/200-604	580 (145)
3	805-303/200-604	420 (105)
4	805-304/200-604	320 (80)
5	805-305/200-604	260 (65)
6	805-306/200-604	220 (55)
7	805-307/200-604	180 (45)
8	805-308/200-604	160 (40)

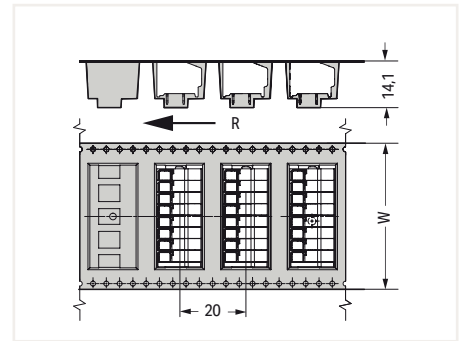
Pole No.	Tape width	Item No.	PU
2	24 mm	805-302/200-604/997-404	160
3	32 mm	805-303/200-604/997-405	160
4	32 mm	805-304/200-604/997-405	160
5	32 mm	805-305/200-604/997-405	160
6	44 mm	805-306/200-604/997-406	160
7	44 mm	805-307/200-604/997-406	160
8	44 mm	805-308/200-604/997-406	160



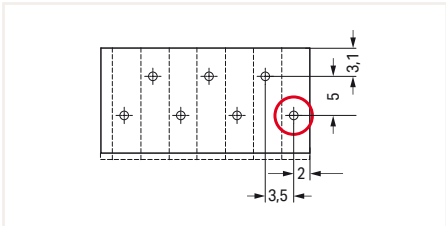
L = (pole no. x pin spacing) + 1.5 mm



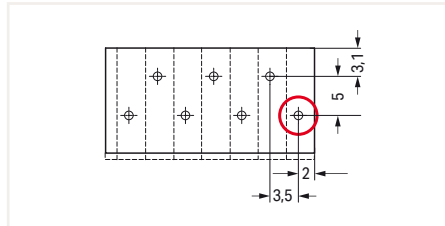
L = (pole no. x pin spacing) + 1.5 mm



R = Feed direction  
W = Tape width



First solder pin, front right (red circle)

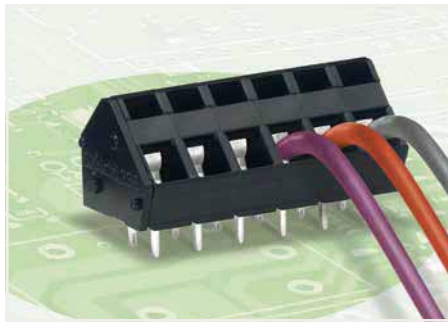


First solder pin, front right (red circle)

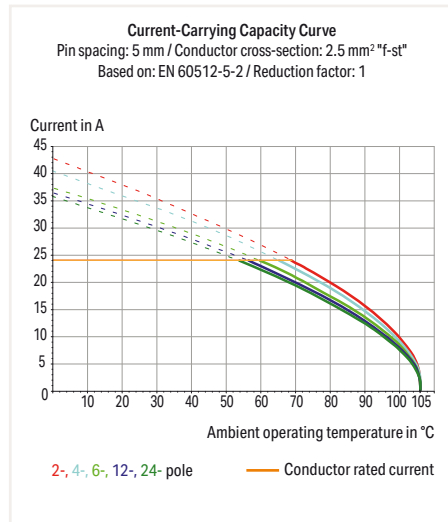
PU = Packaging Unit; SPU = Subpackaging Unit; Dimensions in mm

## THR PCB Terminal Block ▶ 236 Series

CAGE CLAMP® ▶ Actuation type: Operating tool ▶ 2.5 mm<sup>2</sup> ▶ Terminal strip ▶ Pin spacing: 5 mm / 0.197 inch ▶ Color: black



- PCB terminal strips made of high-temperature resistant plastic are suitable for SMT reflow soldering
- Double solder pins for high mechanical stability



### Electrical Data

Pin spacing	5 mm / 0.197 inch		
Ratings per	IEC/EN 60664-1		
Overvoltage category	III	III	II
Pollution degree	3	2	2
Rated voltage	200 V	320 V	320 V
Rated impulse voltage	4 kV	4 kV	4 kV
Rated current	24 A	24 A	24 A
Approvals per	UL 1059		
Use Group	B	C	D
Rated voltage	300 V	-	300 V
Rated current	15 A	-	10 A
Approvals per	CSA		
Use Group	B	C	D
Rated voltage	300 V	-	300 V
Rated current	15 A	-	10 A

### Connection Data

Connection technology	CAGE CLAMP®
Strip length	5 ... 6 mm / 0.2 ... 0.24 inch
Conductor entry angle to the PCB	45°
Solid conductor	0.08 ... 2.5 mm <sup>2</sup> / 28 ... 12 AWG
Fine-stranded conductor	0.08 ... 2.5 mm <sup>2</sup> / 28 ... 12 AWG
Fine-stranded conductor with ferrule with plastic collar	0.25 ... 1.5 mm <sup>2</sup>
Fine-stranded conductor with ferrule without plastic collar	0.25 ... 1.5 mm <sup>2</sup>
Note (conductor cross-section)	12 AWG: THHN, THWN

### Material Data

Material group	III a
Insulating material	Polyamide 46 (PA 46)
Flammability class per UL94	V2
Clamping spring material	Chrome nickel spring steel (CrNi)
Contact material	Electrolytic copper (Ecu)
Contact plating	Tin-plated

### Mechanical Data

Solder pin arrangement	Over the entire terminal strip, in line
Solder pin length	3.6 mm
Solder pin dimensions	0.7 x 0.7 mm
Plated through-hole diameter (THR)	1.1 (+0.1) mm
Reel diameter of tape-and-reel packaging	330 mm

### Environmental Requirements

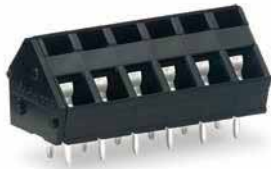
Limit temperature range	-60 ... +115 °C
-------------------------	-----------------

THR-soldering process	Page 258
Ferrule	Page 847
Marking	Page 833
Testing and measuring	Page 288
Tools	Page 838
Additional information, see "Technical Section"	
Approvals and corresponding ratings, visit <a href="http://www.wago.com">www.wago.com</a>	

### THR PCB Terminal Block ▶ 236 Series

CAGE CLAMP® ▶ Actuation type: Operating tool ▶ 2.5 mm<sup>2</sup> ▶ Terminal strip ▶ Pin spacing: 5 mm / 0.197 inch ▶ Color: black

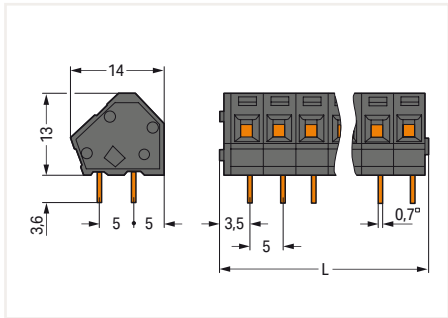
Suitable for automated assembly



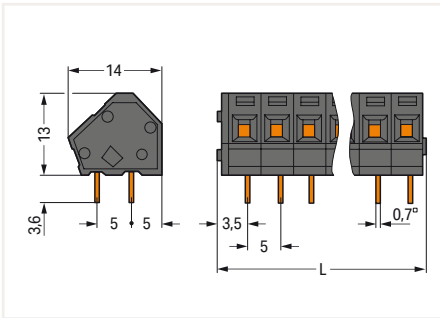
2

Pole No.	Item No.	PU (SPU)
2	236-402/334-604	420 (105)
3	236-403/334-604	280 (70)
4	236-404/334-604	220 (55)
5	236-405/334-604	180 (45)
6	236-406/334-604	140 (35)

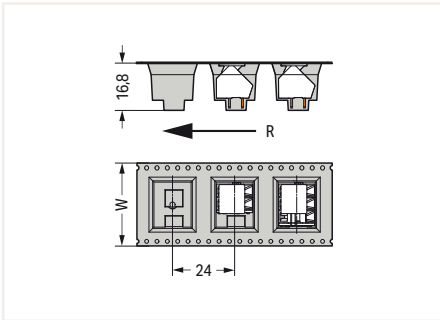
Pole No.	Tape width	Item No.	PU
2	32 mm	236-402/334-604/997-405	140
3	32 mm	236-403/334-604/997-405	140
4	44 mm	236-404/334-604/997-406	140
5	44 mm	236-405/334-604/997-406	140
6	44 mm	236-406/334-604/997-406	140



L = (pole no. x pin spacing) + 2.3 mm



L = (pole no. x pin spacing) + 2.3 mm



W= Tape width  
R = Feed direction

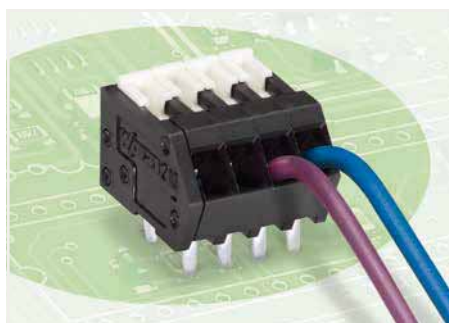
PU = Packaging Unit; SPU = Subpackaging Unit; Dimensions in mm

Other variants can be requested via the WAGO sales department or, if necessary, configured at <https://configurator.wago.com/>:

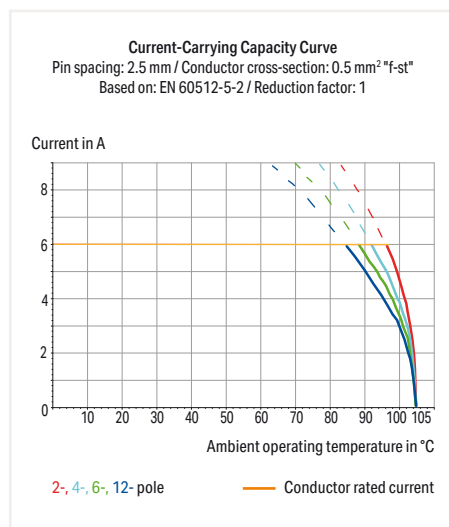
- Other pole numbers
- Direct marking

## THR PCB Terminal Block ▶ 218 Series

CAGE CLAMP® ▶ Actuation type: Locking slide ▶ 0.5 mm<sup>2</sup> ▶ Terminal strip ▶ Color: black



- Terminal strips are just 8.1mm high and feature an innovative, locking slide-actuated CAGE CLAMP®
- Several clamping units can be held open simultaneously
- Easy termination of stranded conductors in tight spaces (e.g., bus connectors)



### Electrical Data

Pin spacing	2.5 mm (0.098 inch) / 2.54 mm (0.1 inch)		
Ratings per	IEC/EN 60664-1		
Overvoltage category	III	III	II
Pollution degree	3	2	2
Rated voltage	32 V	160 V	320 V
Rated impulse voltage	2.5 kV	2.5 kV	2.5 kV
Rated current	6 A	6 A	6 A

### Connection Data

Connection technology	CAGE CLAMP®
Strip length	5 ... 6 mm / 0.2 ... 0.24 inch
Conductor entry angle to the PCB	40°
Solid conductor	0.08 ... 0.5 mm <sup>2</sup> / 28 ... 20 AWG
Fine-stranded conductor	0.08 ... 0.5 mm <sup>2</sup> / 28 ... 20 AWG
Fine-stranded conductor with ferrule with plastic collar	0.25 mm <sup>2</sup>
Fine-stranded conductor with ferrule without plastic collar	0.25 mm <sup>2</sup>
Note (conductor cross-section)	Terminating 0.75 mm <sup>2</sup> /18 AWG conductors is possible; however insulation diameter allows only every other clamping unit to be terminated with this conductor size.

### Material Data

Material group	III a
Insulating material	Polyamide 46 (PA 46)
Flammability class per UL94	V2
Clamping spring material	Chrome nickel spring steel (CrNi)
Contact material	Electrolytic copper (Ecu)
Contact plating	Tin-plated

### Mechanical Data

Solder pin arrangement	Over the entire terminal strip, in line
Solder pin length	2.8 mm
Solder pin dimensions	0.5 x 0.75 mm
Plated through-hole diameter (THR)	1.1 <sup>(+0.1)</sup> mm
Reel diameter of tape-and-reel packaging	330 mm

### Environmental Requirements

Limit temperature range	-60 ... +115 °C
-------------------------	-----------------

THR-soldering process      Page 258

Ferrule      Page 847

Marking      Page 832

Testing and measuring      Page 854

Tools      Page 838

Additional information, see "Technical Section"

Approvals and corresponding ratings, visit [www.wago.com](http://www.wago.com)

# THR PCB Terminal Block ▶ 218 Series

CAGE CLAMP® ▶ Actuation type: Locking slide ▶ 0.5 mm<sup>2</sup> ▶ Terminal strip ▶ Color: black

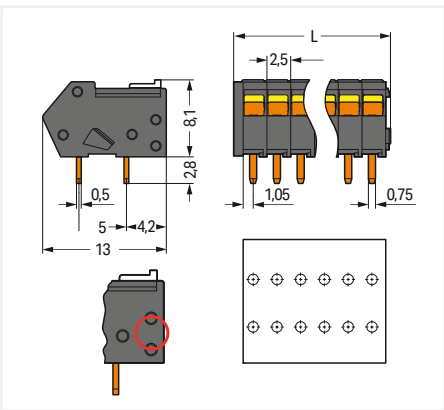
Pin spacing: 2.5 mm (0.098 inch)

Suitable for automated assembly

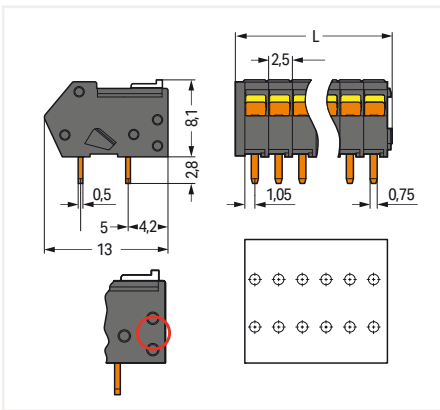


Pole No.	Item No.	PU (SPU)
2	218-102/000-604	1000 (100)
3	218-103/000-604	1000 (100)
4	218-104/000-604	500 (100)
5	218-105/000-604	500 (100)
6	218-106/000-604	280 (70)
7	218-107/000-604	240 (60)

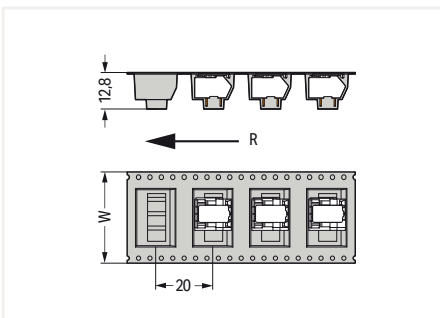
Pole No.	Tape width	Item No.	PU
2	16 mm	218-102/000-604/997-403	250
3	32 mm	218-103/000-604/997-405	250
4	32 mm	218-104/000-604/997-405	250
5	32 mm	218-105/000-604/997-405	250
6	32 mm	218-106/000-604/997-405	250
7	32 mm	218-107/000-604/997-405	250



L = (pole no. x pin spacing) + 1.5 mm  
A groove at the back of the terminal strip differentiates between the two pin spacings (red circle).



L = (pole no. x pin spacing) + 1.5 mm  
A groove at the back of the terminal strip differentiates between the two pin spacings (red circle).



W= Tape width  
R = Feed direction

PU = Packaging Unit; SPU = Subpackaging Unit; Dimensions in mm

Other variants can be requested via the WAGO sales department or, if necessary, configured at <https://configurator.wago.com/>:

- Other pole numbers
- Direct marking

# THR PCB Terminal Block ▶ 218 Series

CAGE CLAMP® ▶ Actuation type: Locking slide ▶ 0.5 mm<sup>2</sup> ▶ Terminal strip ▶ Color: black

Pin spacing: 2.54 mm (0.1 inch)

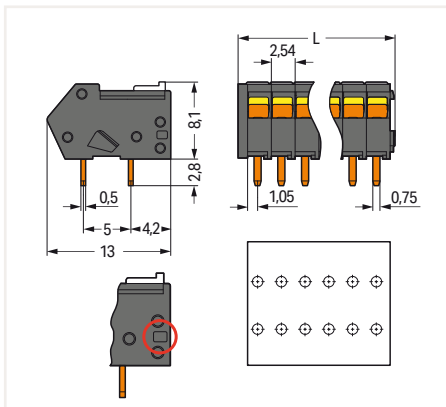
Suitable for automated assembly

2

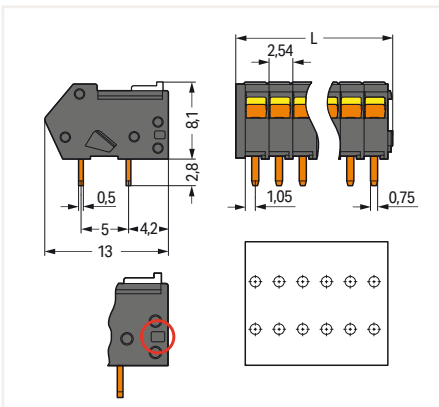


Pole No.	Item No.	PU (SPU)
2	218-502/000-604	1000 (100)
3	218-503/000-604	1000 (100)
4	218-504/000-604	500 (100)
5	218-505/000-604	500 (100)
6	218-506/000-604	280 (70)
7	218-507/000-604	240 (60)

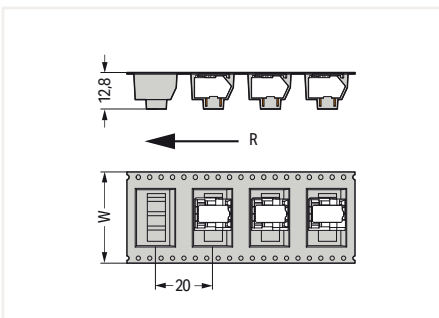
Pole No.	Tape width	Item No.	PU
2	16 mm	218-502/000-604/997-403	250
3	32 mm	218-503/000-604/997-405	250
4	32 mm	218-504/000-604/997-405	250
5	32 mm	218-505/000-604/997-405	250
6	32 mm	218-506/000-604/997-405	250
7	32 mm	218-507/000-604/997-405	250



L = (pole no. x pin spacing) + 1.5 mm  
A groove at the back of the terminal strip differentiates between the two pin spacings (red circle).



L = (pole no. x pin spacing) + 1.5 mm  
A groove at the back of the terminal strip differentiates between the two pin spacings (red circle).



W = Tape width  
R = Feed direction

PU = Packaging Unit; SPU = Subpackaging Unit; Dimensions in mm

Other variants can be requested via the WAGO sales department or, if necessary, configured at <https://configurator.wago.com/>:

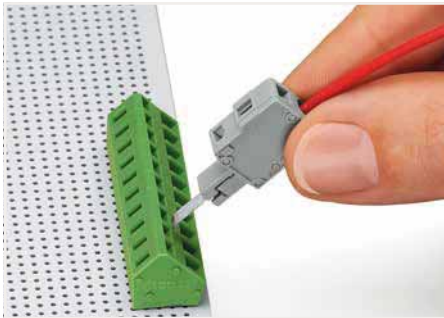
- Other pole numbers
- Direct marking



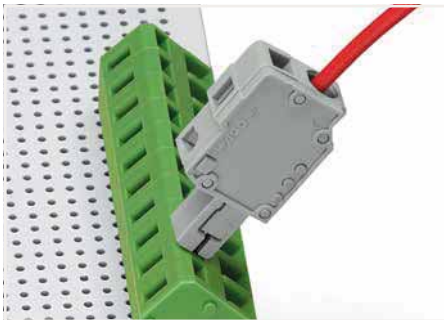


# Test Plug Modules, A-Type Contact, for 236 Series PCB Terminal Blocks (Testing unwired terminal blocks)

2



Inserting a test plug module into the operating slot.



Unwired terminal strip with inserted test plug module



Contact type A: Testing only when unwired.

Test plug module, with 10 mm contact lug, for 236 Series, snaps together, gray

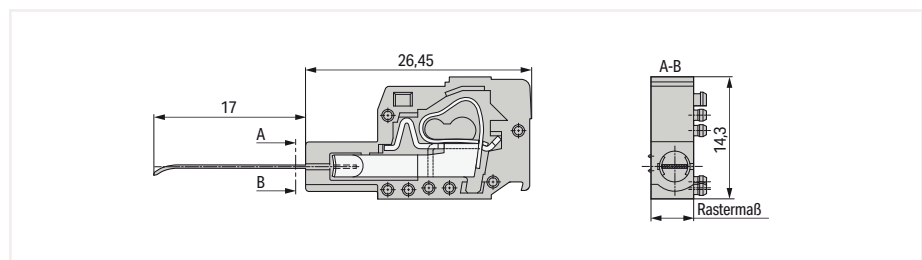
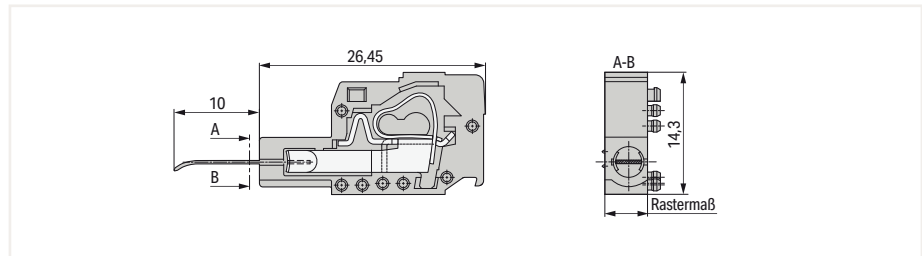
Pin spacing	Item No.	PU (SPU)
5 mm / 0.197 inch	231-127	100
7.5 mm / 0.295 inch	231-161	100

Test plug module, with 10 mm contact lug, for 236 Series, snaps together, orange

Pin spacing	Item No.	PU (SPU)
5.08 mm / 0.2 inch	231-128	100
7.62 mm / 0.3 inch	231-125	100

Dimensions (in mm):

Dimensions (in mm):



### Electrical Data

Ratings per		IEC/EN 60664-1
Overvoltage category	III	
Pollution degree	2	
Rated voltage (III/2)	250 V*	
Rated surge voltage (III / 2)	2.5 kV	
Rated current	0.5 A	

### End plate

Connection technology	CAGE CLAMP*
Strip length	12 ... 13 mm / 0.47 ... 0.51 inch
Solid conductor	0.08 ... 2.5 mm <sup>2</sup> / 28 ... 12 AWG
Fine-stranded conductor	0.08 ... 2.5 mm <sup>2</sup> / 28 ... 12 AWG

### Accessories; for all products on this page



End plate		
Color	Item No.	PU (SPU)
● gray	231-100	200

End plate		
Color	Item No.	PU (SPU)
● orange	231-300	200

\*III / 2 ≙ Overvoltage category III / Pollution degree 2

# Operating Tools



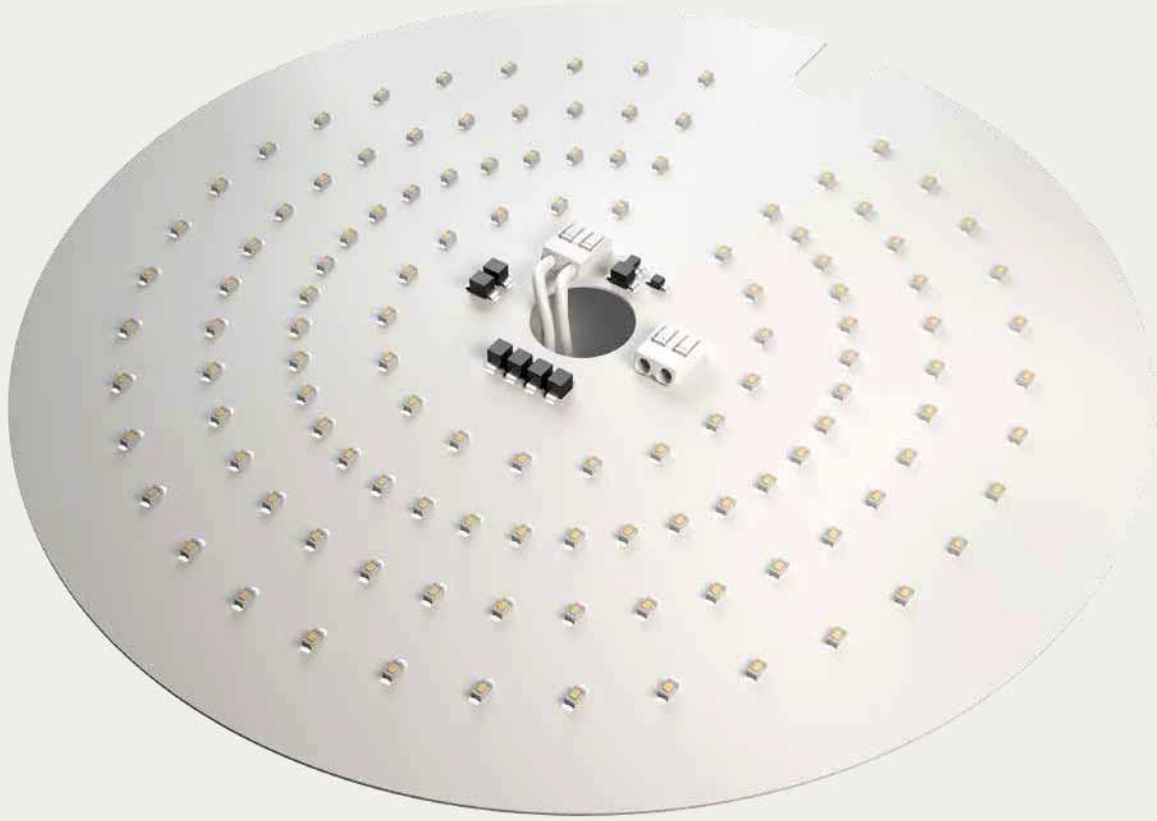
2

Operating tool for 2059, 2060 and 2061 Series		
Series	Item No.	PU (SPU)
2060	206-860	5
2061	206-861	5

Operating tool, insulated, for 2059, 2060 and 2061 Series		
Series	Item No.	PU (SPU)
2060	2060-189	300 (50)
2061	2061-189	300 (50)










Inserting/removing fine-stranded conductors by lightly pressing on a push-button.



# WAGO SMD PCB Terminal Blocks

## WAGO SMD PCB Terminal Blocks

	Nominal Cross-Section	Series	Page	
	SMD PCB Terminal Blocks ▶ Actuation type: Push-button ▶ PUSH WIRE®	0.34 mm <sup>2</sup>	2059	292
	SMD PCB Terminal Blocks ▶ Actuation type: Push-button ▶ Push-in CAGE CLAMP®	0.75 mm <sup>2</sup>	2060	296
	SMD PCB Terminal Blocks ▶ Actuation type: Push-button ▶ Push-in CAGE CLAMP®	1.5 mm <sup>2</sup>	2061	302
	SMD PCB Terminal Blocks ▶ Actuation type: Push-in ▶ PUSH WIRE®	0.75 mm <sup>2</sup>	2065	306
	SMD PCB Terminal Blocks ▶ Actuation type: Push-button ▶ Push-in CAGE CLAMP®	0.75 mm <sup>2</sup>	2065	308
	Through-Board-SMD PCB Terminal Blocks ▶▶ Actuation type: Operating tool ▶ Push-in CAGE CLAMP®	0.75 mm <sup>2</sup>	2070	310
	Board-to-Board Links for SMD PCB Terminal Blocks	0.5 mm <sup>2</sup>	2059	316
		0.75 mm <sup>2</sup>	2060	318
		1.5 mm <sup>2</sup>	2061	320
	Accessories for SMD PCB Terminal Blocks			322
	Accessories and Tools			829

**SMD PCB Terminal Block ▶ 2059 Series****PUSH WIRE® ▶ Pin spacing: 3 mm (0.118 inch) ▶ Actuation type: Operating tool ▶ 0.34 mm<sup>2</sup>**

- SMD PCB terminal blocks with PUSH WIRE® connection technology
- Push-in termination of solid conductors
- Easy conductor removal, e.g., via operating tool
- Just 2.7 mm tall
- Assemble terminal blocks without pole loss
- Available in tape-and-reel packaging for automated assembly

Electrical Data			
Pin spacing	3 mm (0.118 inch)		
Ratings per	IEC/EN 60664-1		
Overvoltage category	III	III	II
Pollution degree	3	2	2
Rated voltage	63 V	160 V	320 V
Rated impulse voltage	2.5 kV	2.5 kV	2.5 kV
Rated current	3 A	3 A	3 A
Approvals per	UL 1977		
Rated voltage	600 V		
Rated current	3 A		

Connection Data	
Connection technology	PUSH WIRE®
Strip length	4 ... 5.5 mm / 0.16 ... 0.22 inch
Conductor entry angle to the PCB	0°
Solid conductor	0.14 ... 0.34 mm <sup>2</sup> / 26 ... 22 AWG
Note (conductor cross-section)	For conductors that are not rigid enough, the clamping unit must be opened using an operating tool. No reconnection of smaller conductor cross-sections (0.5 mm <sup>2</sup> / 20 AWG)
Strip length (2)	6 ... 7.5 mm / 0.24 ... 0.3 inch
Solid conductor (2)	0.5 mm <sup>2</sup> / 20 AWG
Note (conductor cross-section) 2	No reconnection of smaller conductor cross-sections (0.5 mm <sup>2</sup> / 20 AWG)

Material Data	
Material group	I
Insulating material	Polyphthalamide (PPA GF)
Flammability class per UL94	V0
Contact material	Copper alloy
Contact plating	Tin-plated

Mechanical Data	
Reel diameter of tape-and-reel packaging	330 mm

Environmental Requirements	
Limit temperature range	-60 ... +105 °C

**Application note:**

Suitable for lead-free, reflow-soldering profiles per DIN EN 61760-1 and IEC 60068-2-58 up to max. 260 °C peak temperature. Due to customer-specific variables (e.g., component configuration and orientation, type of soldering machine, solder paste), trial runs are recommended to ensure product and process compatibility under actual manufacturing conditions.

**Recommendation for SMD stencil:**

Material thickness, 150 µm. Pattern layout identical to solder pad layout.

General accessory	Page 317
Tools	Page 322
Additional information, see "Technical Section"	
Approvals and corresponding ratings, visit <a href="http://www.wago.com">www.wago.com</a>	

### SMD PCB Terminal Block ▶ 2059 Series

PUSH WIRE® ▶ Pin spacing: 3 mm (0.118 inch) ▶ Actuation type: Operating tool ▶ 0.34 mm<sup>2</sup>

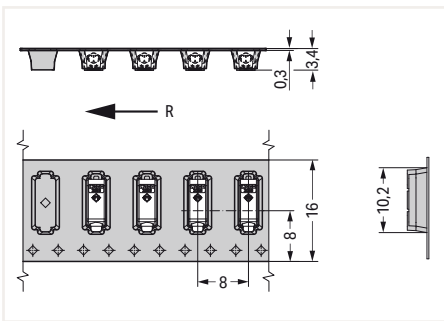
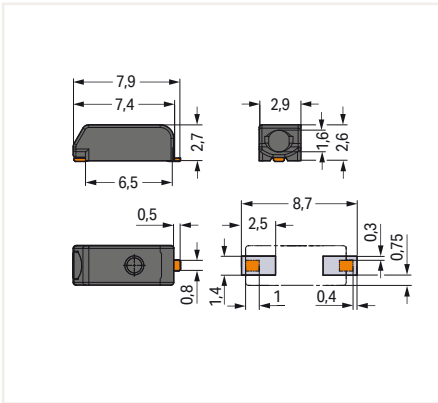
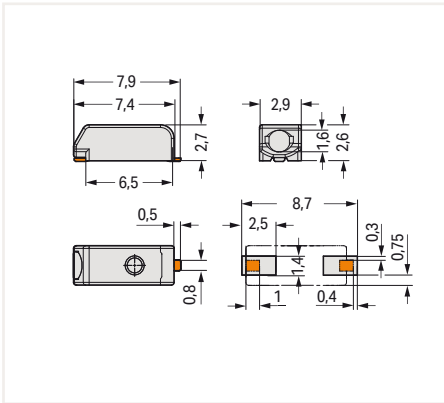
Color: white

Color: black

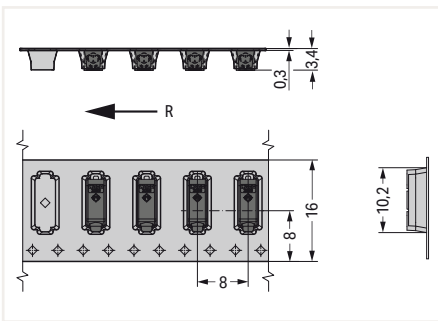


Pole No.	Item No.	PU (SPU)
1	2059-301/998-403	31800 (2650)

Pole No.	Item No.	PU (SPU)
1	2059-321/998-403	31800 (2650)



R = Feed direction



R = Feed direction

PU = Packaging Unit; SPU = Subpackaging Unit; Dimensions in mm

## SMD PCB Terminal Block ▶ 2059 Series

PUSH WIRE® ▶ Pin spacing: 3 mm (0.118 inch) ▶ Actuation type: Operating tool ▶ 0.34 mm<sup>2</sup>



- SMD PCB terminal blocks with PUSH WIRE® connection technology
- Push-in termination of solid conductors
- Easy conductor removal, e.g., via operating tool
- Just 2.7 mm tall
- Assemble terminal blocks without pole loss
- Available in tape-and-reel packaging for automated assembly

Electrical Data			
Pin spacing	3 mm (0.118 inch)		
Ratings per	IEC/EN 60664-1		
Overvoltage category	III	III	II
Pollution degree	3	2	2
Rated voltage	63 V	160 V	320 V
Rated impulse voltage	2.5 kV	2.5 kV	2.5 kV
Rated current	3 A	3 A	3 A
Approvals per	UL 1977		
Rated voltage	250 V		
Rated current	3 A		

Connection Data	
Connection technology	PUSH WIRE®
Strip length	4 ... 5.5 mm / 0.16 ... 0.22 inch
Conductor entry angle to the PCB	0°
Solid conductor	0.14 ... 0.34 mm <sup>2</sup> / 26 ... 22 AWG
Note (conductor cross-section)	For conductors that are not rigid enough, the clamping unit must be opened using an operating tool. No reconnection of smaller conductor cross-sections (0.5 mm <sup>2</sup> / 20 AWG)
Strip length (2)	6 ... 7.5 mm / 0.24 ... 0.3 inch
Solid conductor (2)	0.5 mm <sup>2</sup> / 20 AWG
Note (conductor cross-section) 2	No reconnection of smaller conductor cross-sections (0.5 mm <sup>2</sup> / 20 AWG)

Material Data	
Material group	I
Insulating material	Polyphthalamide (PPA GF)
Flammability class per UL94	V0
Contact material	Copper alloy
Contact plating	Tin-plated

Mechanical Data	
Reel diameter of tape-and-reel packaging	330 mm

Environmental Requirements	
Limit temperature range	-60 ... +105 °C

### Application note:

Suitable for lead-free, reflow-soldering profiles per DIN EN 61760-1 and IEC 60068-2-58 up to max. 260 °C peak temperature. Due to customer-specific variables (e.g., component configuration and orientation, type of soldering machine, solder paste), trial runs are recommended to ensure product and process compatibility under actual manufacturing conditions.

### Recommendation for SMD stencil:

Material thickness, 150 µm. Pattern layout identical to solder pad layout.

General accessory	Page 317
Tools	Page 322
Additional information, see "Technical Section"	
Approvals and corresponding ratings, visit <a href="http://www.wago.com">www.wago.com</a>	



# SMD PCB Terminal Block ▶ 2059 Series

PUSH WIRE® ▶ Pin spacing: 3 mm (0.118 inch) ▶ Actuation type: Operating tool ▶ 0.34 mm<sup>2</sup>

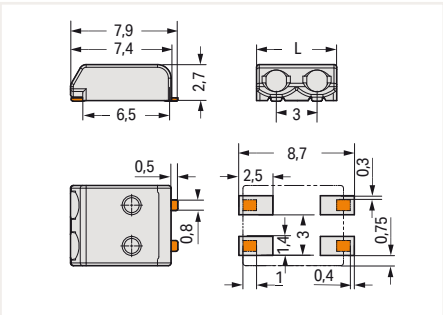
Color: white

Color: black

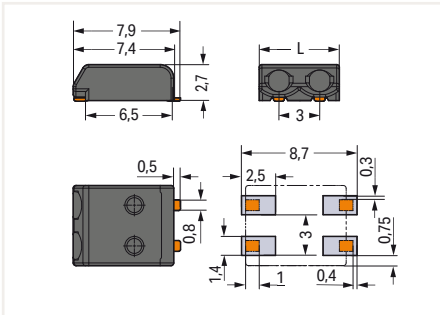


Pole No.	Item No.	PU (SPU)
2	2059-302/998-403	21000 (1750)
3	2059-303/998-403	21000 (1750)

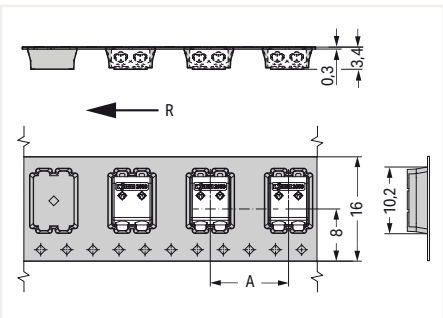
Pole No.	Item No.	PU (SPU)
2	2059-322/998-403	21000 (1750)
3	2059-323/998-403	21000 (1750)



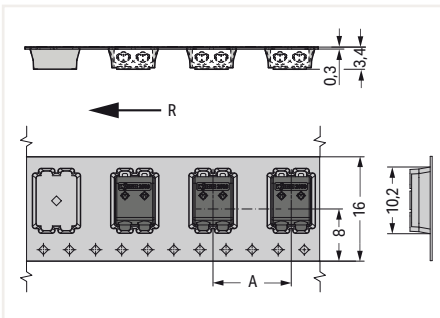
L = (pole no. x pin spacing) – 0.1 mm



L = (pole no. x pin spacing) – 0.1 mm



R = Feed direction  
A = 12 mm (2- and 3-pole)



R = Feed direction  
A = 12 mm (2- and 3-pole)

PU = Packaging Unit; SPU = Subpackaging Unit; Dimensions in mm

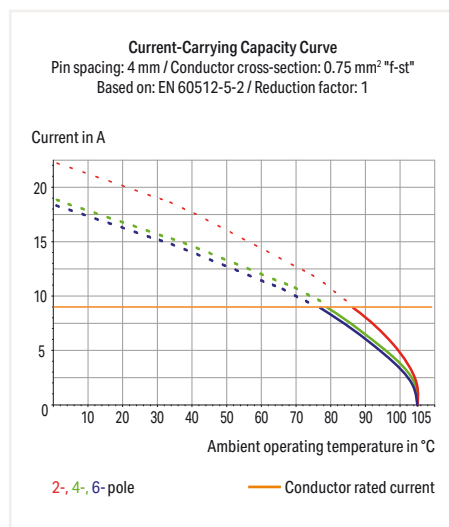
## SMD PCB Terminal Block ▶ 2060 Series

Push-in CAGE CLAMP® ▶ Pin spacing: 4 mm (0.157 inch) ▶ Actuation type: Push-button ▶ 0.75 mm<sup>2</sup>



- SMD PCB terminal blocks with Push-in CAGE CLAMP® connection technology and push-buttons
- Push-in termination of solid and ferruled conductors
- Convenient termination/removal of fine-stranded conductors via push-buttons
- Just 4.5 mm tall
- Available in tape-and-reel packaging for automated assembly

3



### Electrical Data

Pin spacing	4 mm (0.157 inch)		
Ratings per	IEC/EN 60664-1		
Overvoltage category	III	III	II
Pollution degree	3	2	2
Rated voltage	63 V	160 V	320 V
Rated impulse voltage	2.5 kV	2.5 kV	2.5 kV
Rated current	9 A	9 A	9 A
Approvals per	UL 1977		
Rated voltage	600 V		
Rated current	9 A		

### Connection Data

Connection technology	Push-in CAGE CLAMP®
Strip length	7 ... 9 mm / 0.28 ... 0.35 inch
Conductor entry angle to the PCB	0°
Solid conductor	0.2 ... 0.75 mm <sup>2</sup> / 24 ... 18 AWG
Fine-stranded conductor	0.2 ... 0.75 mm <sup>2</sup> / 24 ... 18 AWG
Fine-stranded conductor with ferrule with plastic collar	0.25 ... 0.34 mm <sup>2</sup>
Fine-stranded conductor with ferrule without plastic collar	0.25 ... 0.34 mm <sup>2</sup>

### Material Data

Material group	I
Insulating material	Polyphthalamide (PPA GF)
Flammability class per UL94	V0
Contact material	Copper alloy
Contact plating	Tin-plated

### Mechanical Data

Reel diameter of tape-and-reel packaging	330 mm
--	--------

### Environmental Requirements

Limit temperature range	-60 ... +105 °C
-------------------------	-----------------

#### Application note:

Suitable for lead-free, reflow-soldering profiles per DIN EN 61760-1 and IEC 60068-2-58 up to max. 260 °C peak temperature. Due to customer-specific variables (e.g., component configuration and orientation, type of soldering machine, solder paste), trial runs are recommended to ensure product and process compatibility under actual manufacturing conditions.

#### Recommendation for SMD stencil:

Material thickness, 150 µm. Pattern layout identical to solder pad layout.

Ferrule	Page 847
General accessory	Page 319
Tools	Page 322
Additional information, see "Technical Section"	
Approvals and corresponding ratings, visit <a href="http://www.wago.com">www.wago.com</a>	

### SMD PCB Terminal Block ▶ 2060 Series

Push-in CAGE CLAMP® ▶ Pin spacing: 4 mm (0.157 inch) ▶ Actuation type: Push-button ▶ 0.75 mm<sup>2</sup>

Color: white

Color: black



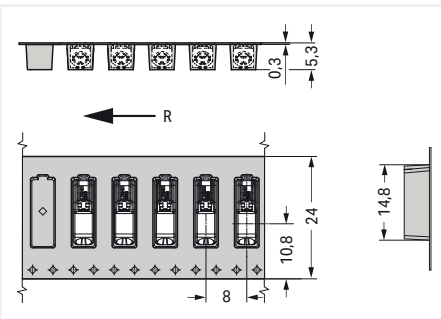
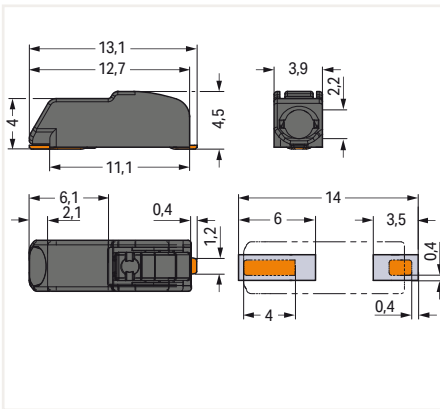
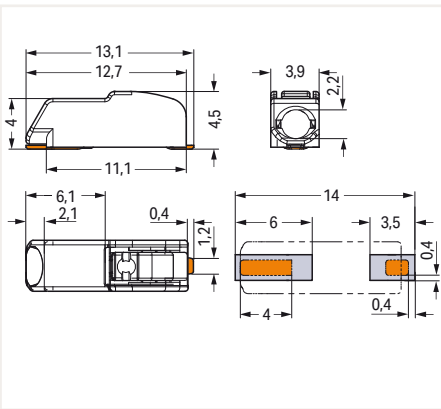
Insert solid conductors via push-in termination.



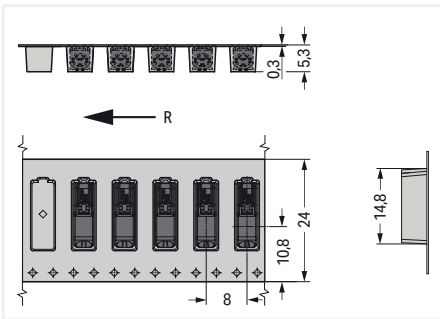
Insert/remove fine-stranded conductors by lightly pressing on push-button (e.g., via 206-860 Operating Tool).

Pole No.	Item No.	PU (SPU)
1	2060-451/998-404	13500 (1500)

Pole No.	Item No.	PU (SPU)
1	2060-471/998-404	13500 (1500)



R = Feed direction



R = Feed direction

PU = Packaging Unit; SPU = Subpackaging Unit; Dimensions in mm

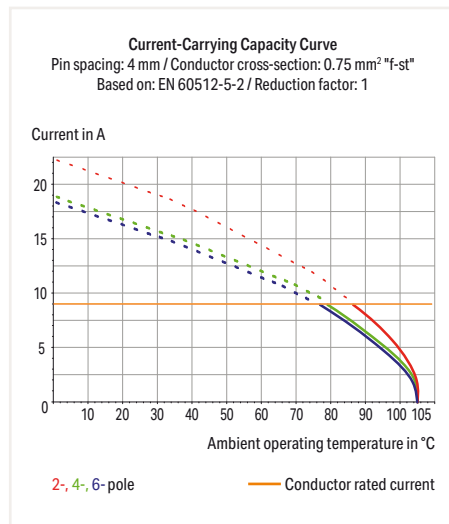
## SMD PCB Terminal Block ▶ 2060 Series

Push-in CAGE CLAMP® ▶ Pin spacing: 4 mm (0.157 inch) ▶ Actuation type: Push-button ▶ 0.75 mm<sup>2</sup>



- SMD PCB terminal blocks with Push-in CAGE CLAMP® connection technology and push-buttons
- Push-in termination of solid and ferruled conductors
- Convenient termination/removal of fine-stranded conductors via push-buttons
- Just 4.5 mm tall
- Available in tape-and-reel packaging for automated assembly

3



### Electrical Data

Pin spacing	4 mm (0.157 inch)		
Ratings per	IEC/EN 60664-1		
Overvoltage category	III	III	II
Pollution degree	3	2	2
Rated voltage	63 V	160 V	320 V
Rated impulse voltage	2.5 kV	2.5 kV	2.5 kV
Rated current	9 A	9 A	9 A
Approvals per	UL 1977		
Rated voltage	320 V		
Rated current	9 A		

### Connection Data

Connection technology	Push-in CAGE CLAMP®
Strip length	7 ... 9 mm / 0.28 ... 0.35 inch
Conductor entry angle to the PCB	0°
Solid conductor	0.2 ... 0.75 mm <sup>2</sup> / 24 ... 18 AWG
Fine-stranded conductor	0.2 ... 0.75 mm <sup>2</sup> / 24 ... 18 AWG
Fine-stranded conductor with ferrule with plastic collar	0.25 ... 0.34 mm <sup>2</sup>
Fine-stranded conductor with ferrule without plastic collar	0.25 ... 0.34 mm <sup>2</sup>

### Material Data

Material group	I
Insulating material	Polyphthalamide (PPA GF)
Flammability class per UL94	V0
Contact material	Copper alloy
Contact plating	Tin-plated

### Mechanical Data

Reel diameter of tape-and-reel packaging	330 mm
--	--------

### Environmental Requirements

Limit temperature range	-60 ... +105 °C
-------------------------	-----------------

#### Application note:

Suitable for lead-free, reflow-soldering profiles per DIN EN 61760-1 and IEC 60068-2-58 up to max. 260 °C peak temperature. Due to customer-specific variables (e.g., component configuration and orientation, type of soldering machine, solder paste), trial runs are recommended to ensure product and process compatibility under actual manufacturing conditions.

#### Recommendation for SMD stencil:

Material thickness, 150 µm. Pattern layout identical to solder pad layout.

Ferrule	Page 847
General accessory	Page 319
Tools	Page 322
Additional information, see "Technical Section"	
Approvals and corresponding ratings, visit <a href="http://www.wago.com">www.wago.com</a>	

### SMD PCB Terminal Block ▶ 2060 Series

Push-in CAGE CLAMP® ▶ Pin spacing: 4 mm (0.157 inch) ▶ Actuation type: Push-button ▶ 0.75 mm<sup>2</sup>

Color: white

Color: black



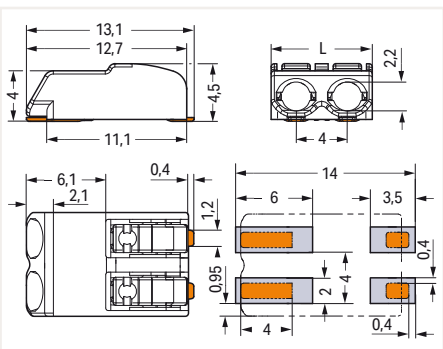
Insert solid conductors via push-in termination.



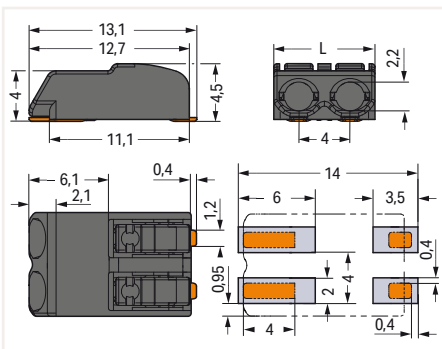
Insert/remove fine-stranded conductors by lightly pressing on push-button (e.g., via 206-860 Operating Tool).

Pole No.	Item No.	PU (SPU)
2	2060-452/998-404	9000 (1000)
3	2060-453/998-404	6750 (750)

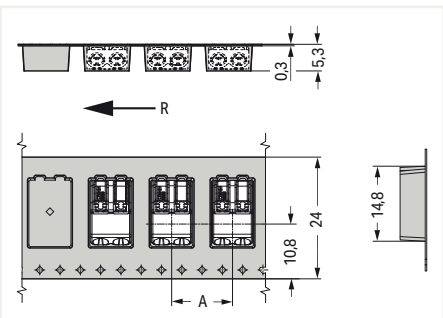
Pole No.	Item No.	PU (SPU)
2	2060-472/998-404	9000 (1000)
3	2060-473/998-404	6750 (750)



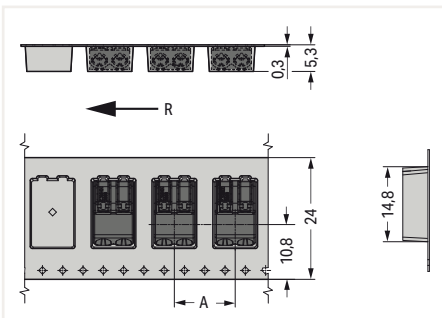
L = (pole no. x pin spacing) – 0.1 mm



L = (pole no. x pin spacing) – 0.1 mm



R = Feed direction  
A = (pole no. x pin spacing) + 4 mm



R = Feed direction  
A = (pole no. x pin spacing) + 4 mm

PU = Packaging Unit; SPU = Subpackaging Unit; Dimensions in mm

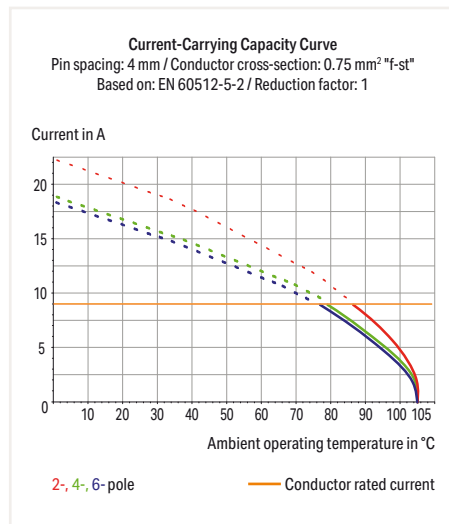
## SMD PCB Terminal Block ▶ 2060 Series

Push-in CAGE CLAMP® ▶ Pin spacing: 8 mm (0.314 inch) ▶ Actuation type: Push-button ▶ 0.75 mm<sup>2</sup>



- SMD PCB terminal blocks with Push-in CAGE CLAMP® connection technology and push-buttons
- 8 mm pin spacing version for higher-rated voltages
- Push-in termination of solid and ferruled conductors
- Convenient termination/removal of fine-stranded conductors via push-buttons
- Height of just 4.5 mm minimizes on-board LED shadowing
- Available in tape-and-reel packaging for automated assembly

3



### Electrical Data

Pin spacing	8 mm (0.314 inch)		
Ratings per	IEC/EN 60664-1		
Overvoltage category	III	III	II
Pollution degree	3	2	2
Rated voltage	400 V	630 V	1000 V
Rated impulse voltage	6 kV	6 kV	6 kV
Rated current	9 A	9 A	9 A
Approvals per	UL 1977		
Rated voltage	600 V		
Rated current	9 A		

### Connection Data

Connection technology	Push-in CAGE CLAMP®
Strip length	7 ... 9 mm / 0.28 ... 0.35 inch
Conductor entry angle to the PCB	0°
Solid conductor	0.2 ... 0.75 mm <sup>2</sup> / 24 ... 18 AWG
Fine-stranded conductor	0.2 ... 0.75 mm <sup>2</sup> / 24 ... 18 AWG
Fine-stranded conductor with ferrule with plastic collar	0.25 ... 0.34 mm <sup>2</sup>
Fine-stranded conductor with ferrule without plastic collar	0.25 ... 0.34 mm <sup>2</sup>

### Material Data

Material group	I
Insulating material	Polyphthalamide (PPA GF)
Flammability class per UL94	V0
Contact material	Copper alloy
Contact plating	Tin-plated

### Mechanical Data

Reel diameter of tape-and-reel packaging	330 mm
--	--------

### Environmental Requirements

Limit temperature range	-60 ... +105 °C
-------------------------	-----------------

#### Application note:

Suitable for lead-free, reflow-soldering profiles per DIN EN 61760-1 and IEC 60068-2-58 up to max. 260 °C peak temperature. Due to customer-specific variables (e.g., component configuration and orientation, type of soldering machine, solder paste), trial runs are recommended to ensure product and process compatibility under actual manufacturing conditions.

#### Recommendation for SMD stencil:

Material thickness, 150 µm. Pattern layout identical to solder pad layout.

Ferrule	Page 847
General accessory	Page 319
Tools	Page 322
Additional information, see "Technical Section"	
Approvals and corresponding ratings, visit <a href="http://www.wago.com">www.wago.com</a>	

### SMD PCB Terminal Block ▶ 2060 Series

Push-in CAGE CLAMP® ▶ Pin spacing: 8 mm (0.314 inch) ▶ Actuation type: Push-button ▶ 0.75 mm<sup>2</sup>

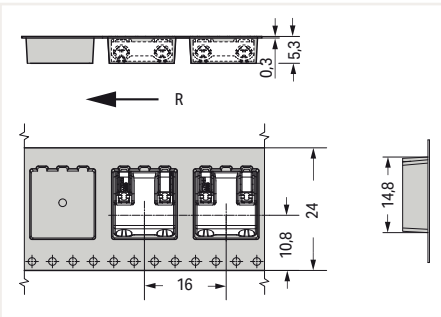
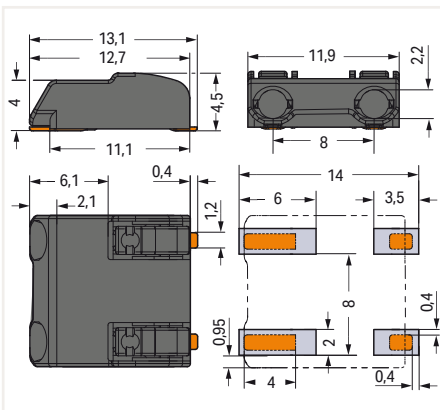
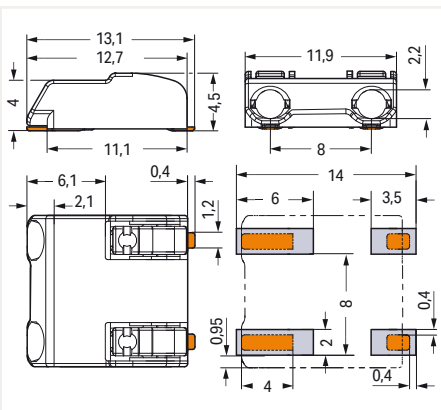
Color: white

Color: black

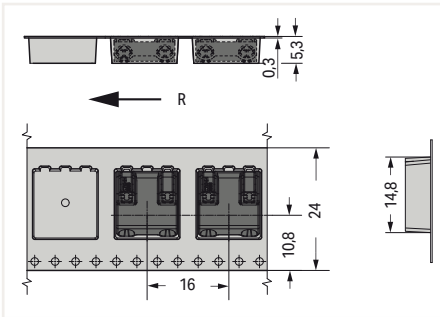


Pole No.	Item No.	PU (SPU)
2	2060-852/998-404	6750 (750)

Pole No.	Item No.	PU (SPU)
2	2060-872/998-404	6750 (750)



R = Feed direction



R = Feed direction



Insert solid conductors via push-in termination.



Insert/remove fine-stranded conductors by lightly pressing on push-button (e.g., via 206-860 Operating Tool).

3

PU = Packaging Unit; SPU = Subpackaging Unit; Dimensions in mm

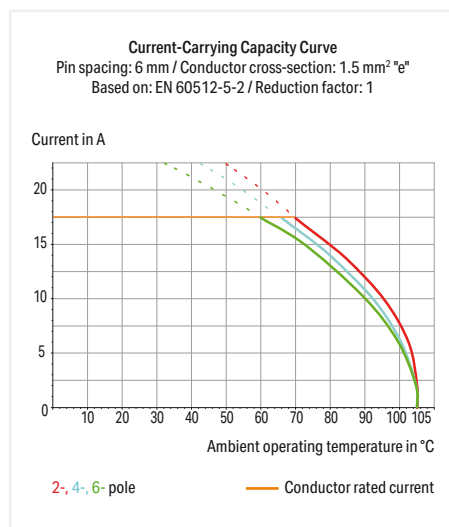
## SMD PCB Terminal Block ▶ 2061 Series

Push-in CAGE CLAMP® ▶ Pin spacing: 6 mm (0.24 inch) ▶ Actuation type: Push-button ▶ 1.5 mm<sup>2</sup>



- SMD PCB terminal blocks with Push-in CAGE CLAMP® connection and push-buttons
- Just 5.6 mm tall
- Push-in termination of solid and ferruled conductors
- Push-buttons simplify insertion/removal of all conductor types
- Available in tape-and-reel packaging for automated assembly

3



### Electrical Data

Pin spacing	6 mm (0.24 inch)		
Ratings per	IEC/EN 60664-1		
Overvoltage category	III	III	II
Pollution degree	3	2	2
Rated voltage	250 V	320 V	630 V
Rated impulse voltage	4 kV	4 kV	4 kV
Rated current	17.5 A	17.5 A	17.5 A
Approvals per	UL 1059		
Use Group	B	C	D
Rated voltage	600 V	-	600 V
Rated current	10 A	-	5 A

### Connection Data

Connection technology	Push-in CAGE CLAMP®
Strip length	7 ... 10 mm / 0.28 ... 0.39 inch
Conductor entry angle to the PCB	0°
Solid conductor	0.5 ... 1.5 mm <sup>2</sup> / 20 ... 16 AWG
Fine-stranded conductor	0.5 ... 1.5 mm <sup>2</sup> / 20 ... 16 AWG
Fine-stranded conductor with ferrule with plastic collar	0.5 ... 0.75 mm <sup>2</sup>
Fine-stranded conductor with ferrule without plastic collar	0.5 ... 0.75 mm <sup>2</sup>

### Material Data

Material group	I
Insulating material	Polyphthalamide (PPA GF)
Flammability class per UL94	V0
Contact material	Copper alloy
Contact plating	Tin-plated

### Mechanical Data

Reel diameter of tape-and-reel packaging	330 mm
--	--------

### Environmental Requirements

Limit temperature range	-60 ... +105 °C
-------------------------	-----------------

#### Application notes:

Suitable for lead-free, reflow-soldering profiles per DIN EN 61760-1 and IEC 60068-2-58 up to max. 260°C peak temperature. Due to customer-specific variables (e.g., component configuration and orientation, type of soldering machine, solder paste), trial runs are recommended to ensure product and process compatibility under actual manufacturing conditions.

#### Recommendation for SMD stencil:

Material thickness, 150 µm. Pattern layout identical to solder pad layout.

Ferrule	Page 847
General accessory	Page 321
Tools	Page 322
Additional information, see "Technical Section"	
Approvals and corresponding ratings, visit <a href="http://www.wago.com">www.wago.com</a>	



### SMD PCB Terminal Block ▶ 2061 Series

Push-in CAGE CLAMP® ▶ Pin spacing: 6 mm (0.24 inch) ▶ Actuation type: Push-button ▶ 1.5 mm<sup>2</sup>

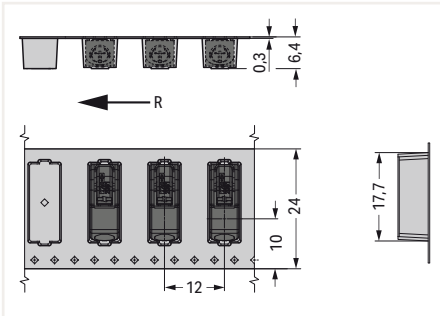
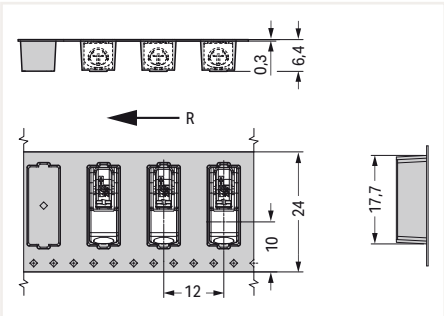
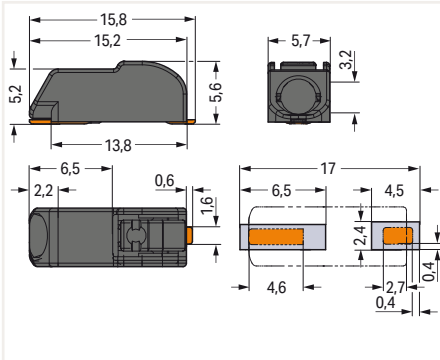
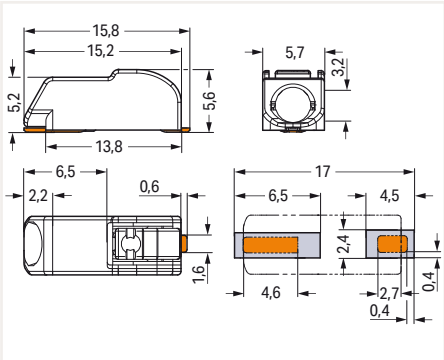
Color: white

Color: black



Pole No.	Item No.	PU (SPU)
1	2061-601/998-404	8100 (900)

Pole No.	Item No.	PU (SPU)
1	2061-621/998-404	8100 (900)



R = Feed direction

R = Feed direction

PU = Packaging Unit; SPU = Subpackaging Unit; Dimensions in mm

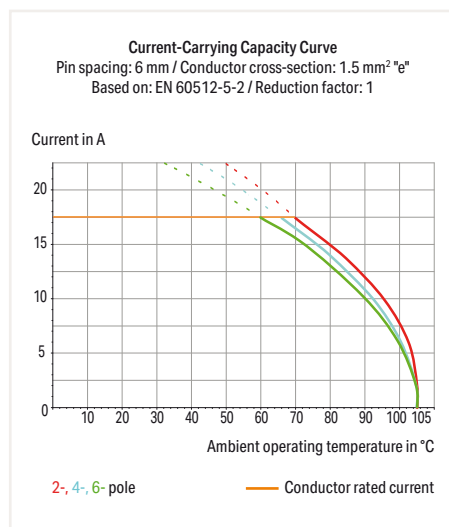
## SMD PCB Terminal Block ▶ 2061 Series

Push-in CAGE CLAMP® ▶ Pin spacing: 6 mm (0.24 inch) ▶ Actuation type: Push-button ▶ 1.5 mm<sup>2</sup>



- SMD PCB terminal blocks with Push-in CAGE CLAMP® connection and push-buttons
- Just 5.6 mm tall
- Push-in termination of solid and ferruled conductors
- Push-buttons simplify insertion/removal of all conductor types
- Available in tape-and-reel packaging for automated assembly

3



### Electrical Data

Pin spacing	6 mm (0.24 inch)		
Ratings per	IEC/EN 60664-1		
Overvoltage category	III	III	II
Pollution degree	3	2	2
Rated voltage	250 V	320 V	630 V
Rated impulse voltage	4 kV	4 kV	4 kV
Rated current	17.5 A	17.5 A	17.5 A
Approvals per	UL 1059		
Use Group	B	C	D
Rated voltage	300 V	-	300 V
Rated current	10 A	-	10 A

### Connection Data

Connection technology	Push-in CAGE CLAMP®
Strip length	7 ... 10 mm / 0.28 ... 0.39 inch
Conductor entry angle to the PCB	0°
Solid conductor	0.5 ... 1.5 mm <sup>2</sup> / 20 ... 16 AWG
Fine-stranded conductor	0.5 ... 1.5 mm <sup>2</sup> / 20 ... 16 AWG
Fine-stranded conductor with ferrule with plastic collar	0.5 ... 0.75 mm <sup>2</sup>
Fine-stranded conductor with ferrule without plastic collar	0.5 ... 0.75 mm <sup>2</sup>

### Material Data

Material group	I
Insulating material	Polyphthalamide (PPA GF)
Flammability class per UL94	V0
Contact material	Copper alloy
Contact plating	Tin-plated

### Mechanical Data

Reel diameter of tape-and-reel packaging	330 mm
--	--------

### Environmental Requirements

Limit temperature range	-60 ... +105 °C
-------------------------	-----------------

#### Application notes:

Suitable for lead-free, reflow-soldering profiles per DIN EN 61760-1 and IEC 60068-2-58 up to max. 260°C peak temperature. Due to customer-specific variables (e.g., component configuration and orientation, type of soldering machine, solder paste), trial runs are recommended to ensure product and process compatibility under actual manufacturing conditions.

#### Recommendation for SMD stencil:

Material thickness, 150 µm. Pattern layout identical to solder pad layout.

Ferrule	Page 847
General accessory	Page 321
Tools	Page 322
Additional information, see "Technical Section"	
Approvals and corresponding ratings, visit <a href="http://www.wago.com">www.wago.com</a>	

# SMD PCB Terminal Block ▶ 2061 Series

Push-in CAGE CLAMP® ▶ Pin spacing: 6 mm (0.24 inch) ▶ Actuation type: Push-button ▶ 1.5 mm<sup>2</sup>

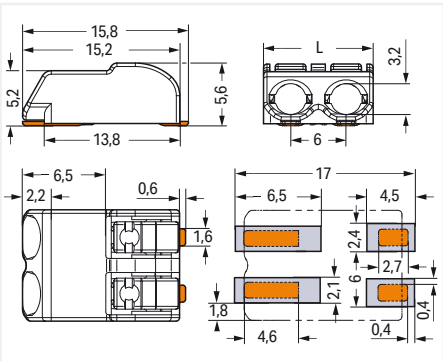
Color: white

Color: black

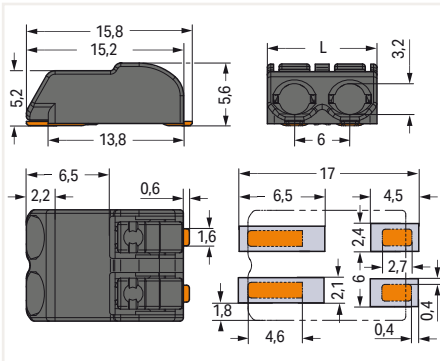


Pole No.	Item No.	PU (SPU)
2	2061-602/998-404	6300 (700)
3	2061-603/998-404	4050 (450)

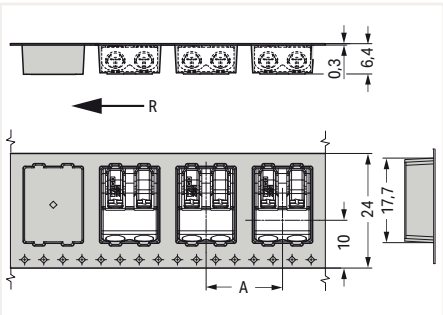
Pole No.	Item No.	PU (SPU)
2	2061-622/998-404	6300 (700)
3	2061-623/998-404	4050 (450)



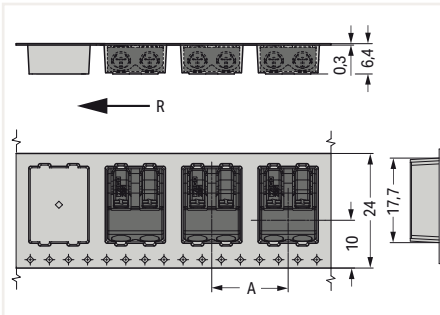
L = (pole no. x pin spacing) - 0.3 mm



L = (pole no. x pin spacing) - 0.3 mm



R = Feed direction  
 A = 12 mm (1-pole)  
 A = 16 mm (2-pole)  
 A = 22 mm (3-pole)



R = Feed direction  
 A = 12 mm (1-pole)  
 A = 16 mm (2-pole)  
 A = 22 mm (3-pole)

PU = Packaging Unit; SPU = Subpackaging Unit; Dimensions in mm

## SMD PCB Terminal Block ▶ 2065 Series

### PUSH WIRE® ▶ Actuation type: Push-in ▶ 0.75 mm<sup>2</sup>



- SMD PCB terminal block with PUSH WIRE® connection technology
- Push-in termination of solid conductors
- Just 2.7 mm tall
- Available in tape-and-reel packaging for automated assembly

3

Electrical Data			
Pin spacing	6 mm (0.236 inch)		
Ratings per	IEC/EN 60664-1		
Overvoltage category	III	III	II
Pollution degree	3	2	2
Rated voltage	250 V	320 V	630 V
Rated impulse voltage	4 kV	4 kV	4 kV
Rated current	9 A	9 A	9 A
Approvals per	UL 1977		
Rated voltage	600 V		
Rated current	9 A		
Connection Data			
Connection technology	PUSH WIRE®		
Strip length	7.5 ... 9.5 mm / 0.3 ... 0.37 inch		
Conductor entry angle to the PCB	0°		
Solid conductor	0.2 ... 0.75 mm <sup>2</sup> / 24 ... 18 AWG		
Material Data			
Clamping spring material	Chrome nickel spring steel (CrNi)		
Contact material	Copper alloy		
Contact plating	Tin-plated		
Mechanical Data			
Reel diameter of tape-and-reel packaging	330 mm		
Environmental Requirements			
Limit temperature range	-60 ... +120 °C		

The layout must meet the requirements of the insulation coordination standard EN/IEC 60664-1 and applicable end product standards.

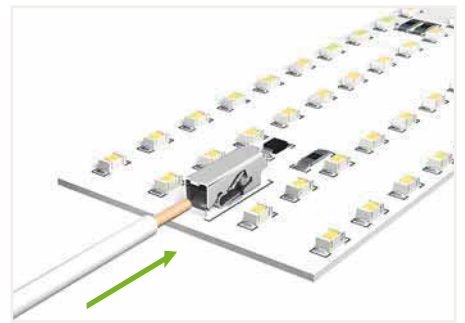
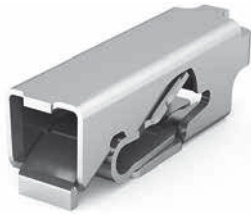
**NOTE: Terminal block without insulation housing! Protection against accidental contact must be provided at voltages higher than low voltages (e.g., SELV/PELV) for the relevant application.**

Additional information, see "Technical Section"

Approvals and corresponding ratings, visit [www.wago.com](http://www.wago.com)

# SMD PCB Terminal Block ▶ 2065 Series

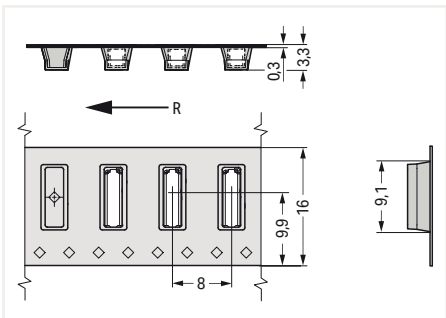
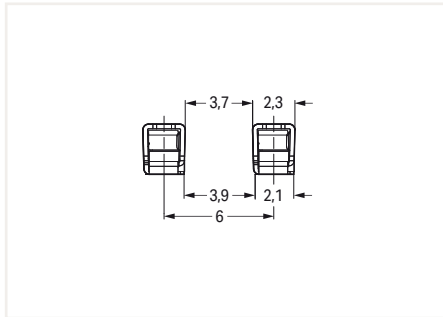
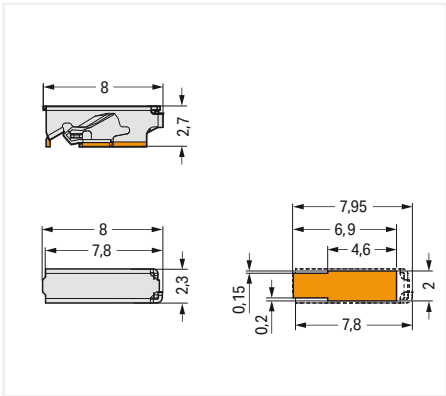
## PUSH WIRE® ▶ Actuation type: Push-in ▶ 0.75 mm<sup>2</sup>



PUSH WIRE® version without push-button: Even more space savings when using exclusively solid conductors.

3

Pole No.	Item No.	PU (SPU)
1	2065-101/998-403	31800 (2650)

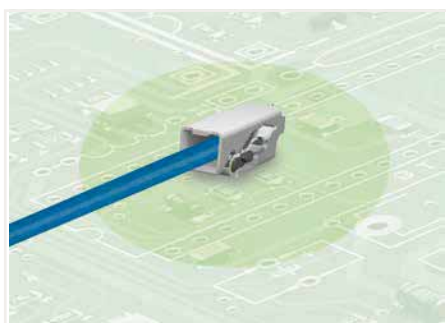


R = Feed direction

PU = Packaging Unit; SPU = Subpackaging Unit; Dimensions in mm

## SMD PCB Terminal Block ▶ 2065 Series

### Push-in CAGE CLAMP® ▶ Actuation type: Push-button ▶ 0.75 mm<sup>2</sup>



- SMD PCB terminal block with Push-in CAGE CLAMP® connection technology and push-button
- Push-in termination of solid conductors Convenient termination/removal of fine-stranded conductors via operating tool
- Just 2.7 mm tall
- Available in tape-and-reel packaging for automated assembly
- PUSH WIRE® version without push-button available (only for solid conductors)

Electrical Data			
Pin spacing	6.5 mm (0.256 inch)		
Ratings per	IEC/EN 60664-1		
Overvoltage category	III	III	II
Pollution degree	3	2	2
Rated voltage	320 V	320 V	630 V
Rated impulse voltage	4 kV	4 kV	4 kV
Rated current	9 A	9 A	9 A
Approvals per	UL 1977		
Rated voltage	600 V		
Rated current	9 A		
Connection Data			
Connection technology	Push-in CAGE CLAMP®		
Strip length	7.5 ... 9.5 mm / 0.3 ... 0.37 inch		
Conductor entry angle to the PCB	0°		
Solid conductor	0.2 ... 0.75 mm <sup>2</sup> / 24 ... 18 AWG		
Fine-stranded conductor	0.2 ... 0.75 mm <sup>2</sup> / 24 ... 18 AWG		
Material Data			
Clamping spring material	Chrome nickel spring steel (CrNi)		
Contact material	Copper alloy		
Contact plating	Tin-plated		
Mechanical Data			
Reel diameter of tape-and-reel packaging	330 mm		
Environmental Requirements			
Limit temperature range	-60 ... +120 °C		

The layout must meet the requirements of the insulation coordination standard EN/IEC 60664-1 and applicable end product standards.

**NOTE: Terminal block without insulation housing! Protection against accidental contact must be provided at voltages higher than low voltages (e.g., SELV/PELV) for the relevant application.**

Tools Page 323

Additional information, see "Technical Section"

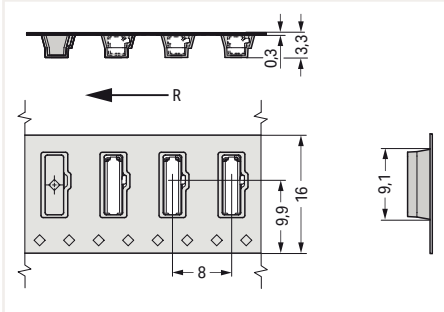
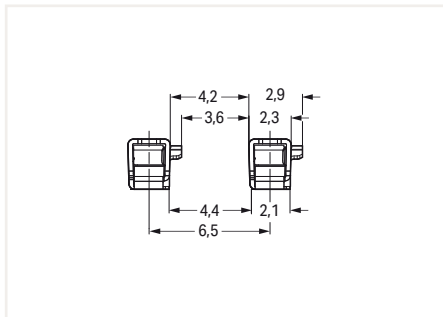
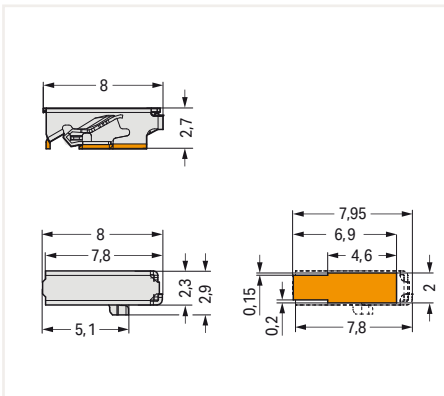
Approvals and corresponding ratings, visit [www.wago.com](http://www.wago.com)

# SMD PCB Terminal Block ▶ 2065 Series

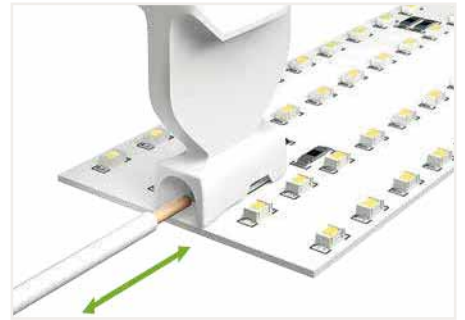
## Push-in CAGE CLAMP® ▶ Actuation type: Push-button ▶ 0.75 mm<sup>2</sup>



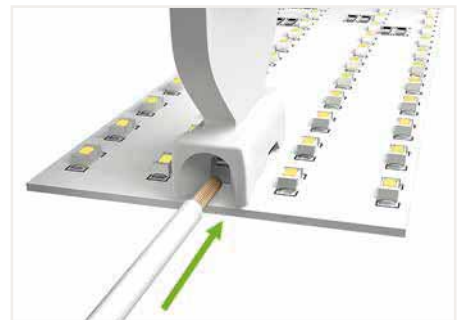
Pole No.	Item No.	PU (SPU)
1	2065-100/998-403	31800 (2650)



R = Feed direction



Push-in CAGE CLAMP® version: Insert fine-stranded conductors – and remove all conductors – via operating tool. Solid conductors can be terminated by simply pushing them in.



The operating tools funneled conductor entry accurately guides the conductor into the terminal block.

3

## Through-Board SMD PCB Terminal Block ▶ 2070 Series

Push-in CAGE CLAMP® ▶ Pin spacing: 6.5 mm (0.256 inch) ▶ Actuation type: Operating tool ▶ 0.75 mm<sup>2</sup> ▶ Color: white



- SMD PCB terminal block with Push-in CAGE CLAMP® connection for back-side wiring of LED modules
- Low profile of just 1.1 mm on the module's front side
- Connect solid conductors via push-in termination
- Insert fine-stranded conductors and remove all conductors via operating tool

Electrical Data			
Pin spacing	6.5 mm (0.256 inch)		
Electrical Data for FR4 PCB Type			
Ratings per	IEC/EN 60664-1		
Overtoltage category	III	III	II
Pollution degree	3	2	2
Rated voltage	320 V	320 V	630 V
Rated impulse voltage	4 kV	4 kV	4 kV
Rated current	9 A	9 A	9 A
Approvals per	UL 1977		
Rated voltage	600 V		
Rated current	9 A		
Electrical Data for Metal-Core PCBs			
Ratings according to 2	IEC/EN 60664-1		
Overtoltage category	III	III	II
Pollution degree	3	2	2
Rated voltage	200 V	320 V	500 V
Rated impulse voltage	4 kV	4 kV	4 kV
Rated current	9 A	9 A	9 A
Connection Data			
Connection technology	Push-in CAGE CLAMP®		
Strip length	8 ... 10 mm / 0.31 ... 0.39 inch		
Conductor entry angle to the PCB	0°		
Solid conductor	0.2 ... 0.75 mm <sup>2</sup> / 24 ... 18 AWG		
Fine-stranded conductor	0.2 ... 0.75 mm <sup>2</sup> / 24 ... 18 AWG		
Material Data			
Material group	I		
Insulating material	Polyphthalamide (PPA GF)		
Flammability class per UL94	V0		
Contact material	Copper alloy		
Contact plating	Tin-plated		
Mechanical Data			
Reel diameter of tape-and-reel packaging	330 mm		
Environmental Requirements			
Limit temperature range	-60 ... +105 °C		

Tools Page 322

Additional information, see "Technical Section"

Approvals and corresponding ratings, visit [www.wago.com](http://www.wago.com)



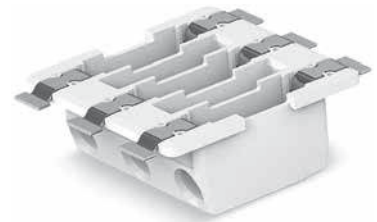
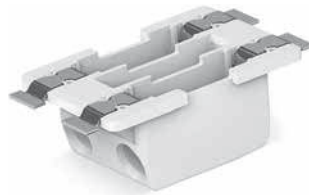
# Through-Board SMD PCB Terminal Block ▶ 2070 Series

Push-in CAGE CLAMP® ▶ Pin spacing: 6.5 mm (0.256 inch) ▶ Actuation type: Operating tool ▶ 0.75 mm<sup>2</sup> ▶ Color: white

without Cover ▶ Pole No.: 1

without Cover ▶ Pole No.: 2

without Cover ▶ Pole No.: 3

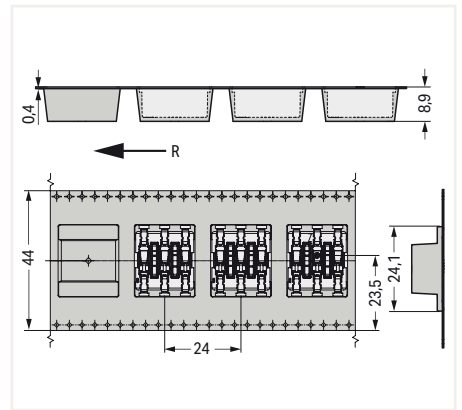
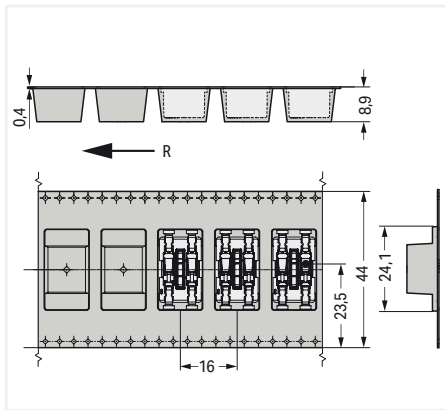
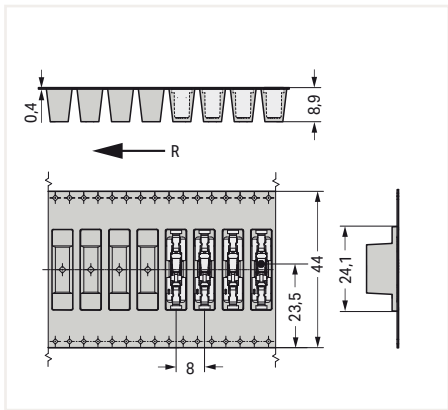
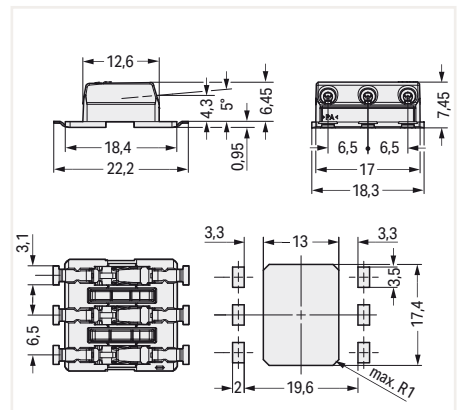
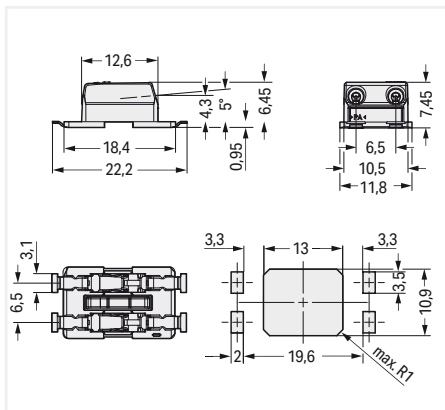
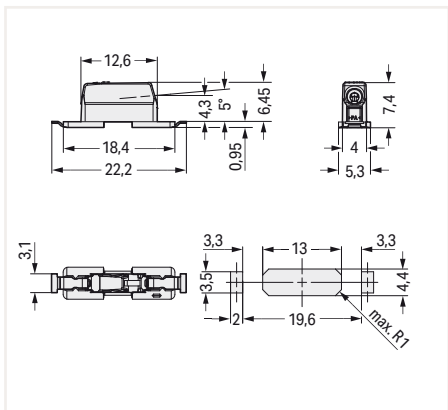


3

Item No.	PU (SPU)
2070-451/998-406	4770 (954)

Item No.	PU (SPU)
2070-452/998-406	2385 (477)

Item No.	PU (SPU)
2070-453/998-406	1590 (318)



R = Feed direction

R = Feed direction

R = Feed direction

PU = Packaging Unit; SPU = Subpackaging Unit; Dimensions in mm

### Through-Board SMD PCB Terminal Block ▶ 2070 Series

Push-in CAGE CLAMP® ▶ Pin spacing: 6.5 mm (0.256 inch) ▶ Actuation type: Operating tool ▶ 0.75 mm<sup>2</sup> ▶ Color: white

with Cover ▶ Pole No.: 1

with Cover ▶ Pole No.: 2

with Cover ▶ Pole No.: 3

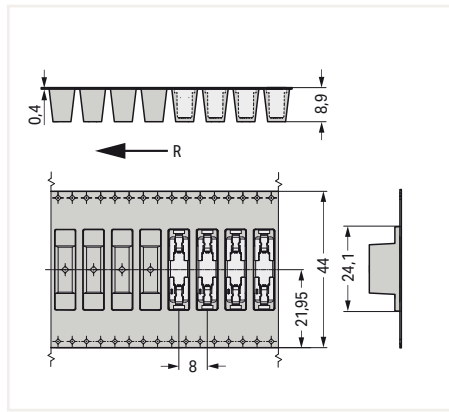
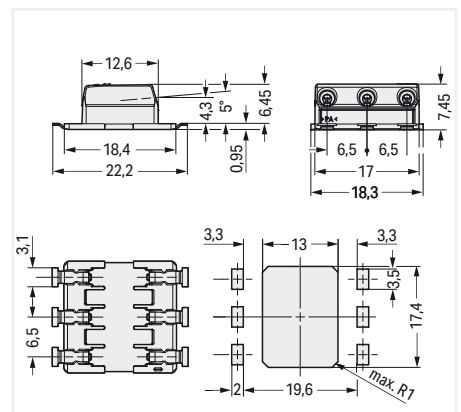
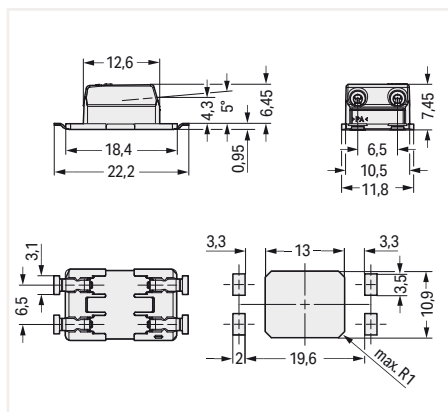
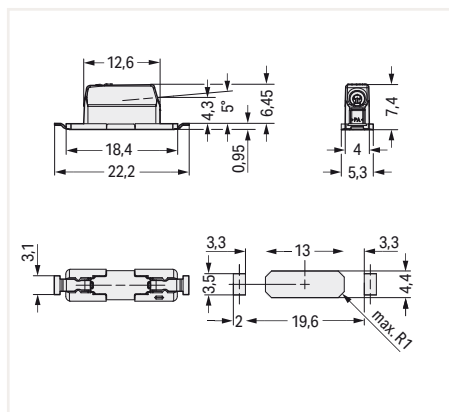


3

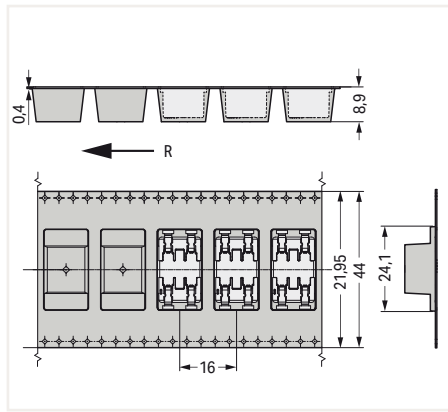
Item No.	PU (SPU)
2070-461/998-406	4770 (954)

Item No.	PU (SPU)
2070-462/998-406	2385 (477)

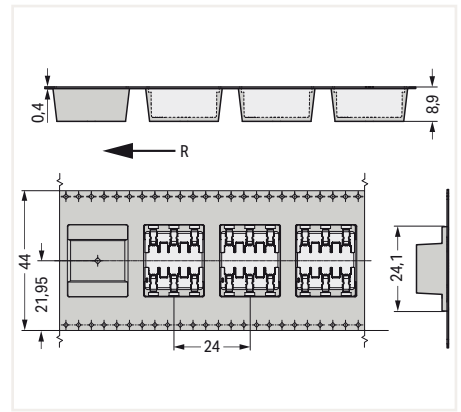
Item No.	PU (SPU)
2070-463/998-406	1590 (318)



R = Feed direction



R = Feed direction



R = Feed direction

PU = Packaging Unit; SPU = Subpackaging Unit; Dimensions in mm

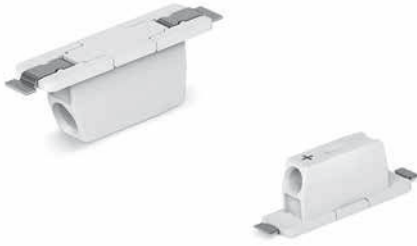
### Through-Board SMD PCB Terminal Block ▶ 2070 Series

Push-in CAGE CLAMP® ▶ Pin spacing: 6.5 mm (0.256 inch) ▶ Actuation type: Operating tool ▶ 0.75 mm<sup>2</sup> ▶ Color: white

with Cover ▶ Marking: + ▶ Pole No.: 1

with Cover ▶ Marking: + - ▶ Pole No.: 2

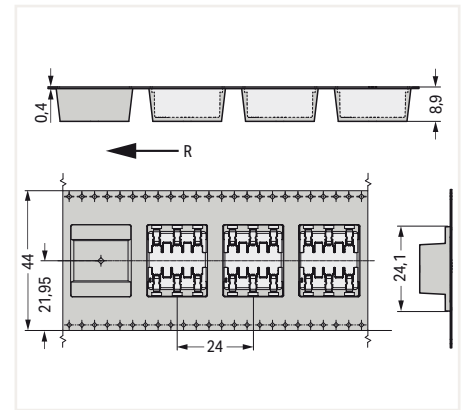
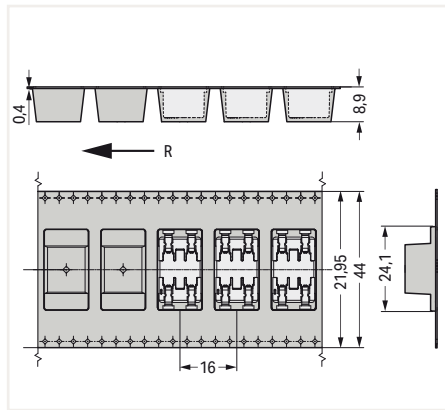
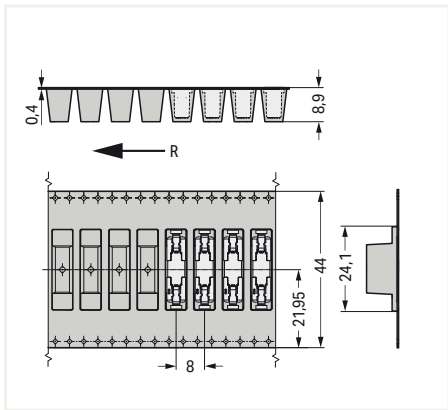
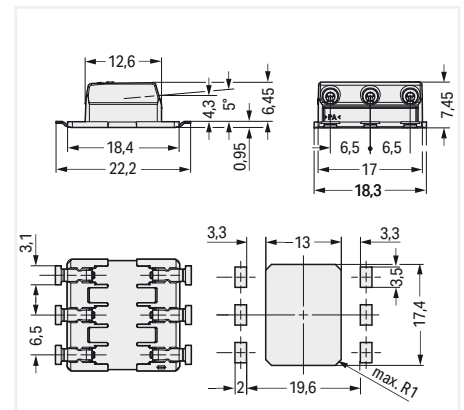
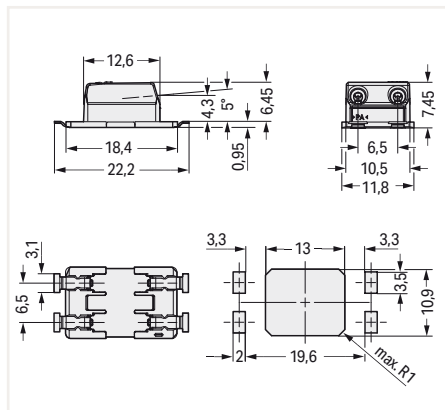
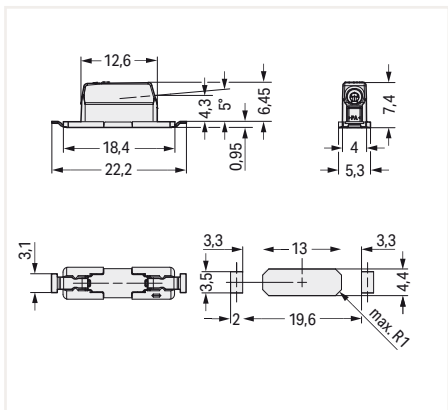
with Cover ▶ Marking: + - plain ▶ Pole No.: 3



Item No.	PU (SPU)
2070-521/998-406	4770 (954)

Item No.	PU (SPU)
2070-522/998-406	2385 (477)

Item No.	PU (SPU)
2070-523/998-406	1590 (318)



R = Feed direction

R = Feed direction

R = Feed direction

PU = Packaging Unit; SPU = Subpackaging Unit; Dimensions in mm

### Through-Board SMD PCB Terminal Block ▶ 2070 Series

Push-in CAGE CLAMP® ▶ Pin spacing: 6.5 mm (0.256 inch) ▶ Actuation type: Operating tool ▶ 0.75 mm<sup>2</sup> ▶ Color: white

with Cover ▶ Marking: - ▶ Pole No.: 1

with Cover ▶ Marking: - + ▶ Pole No.: 2

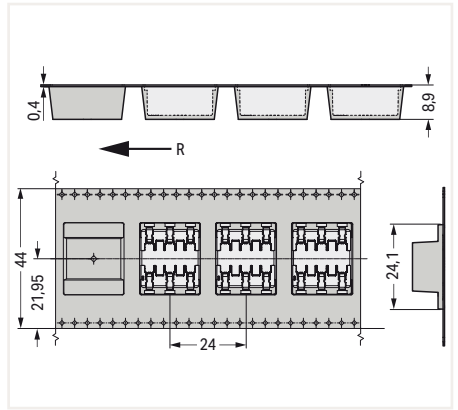
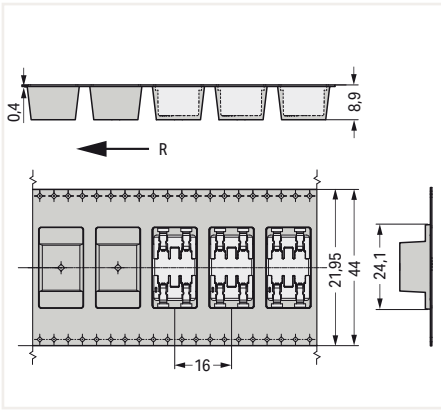
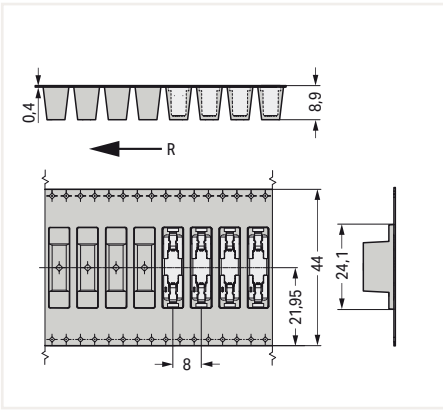
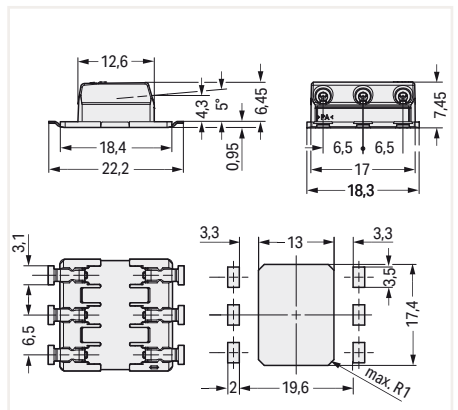
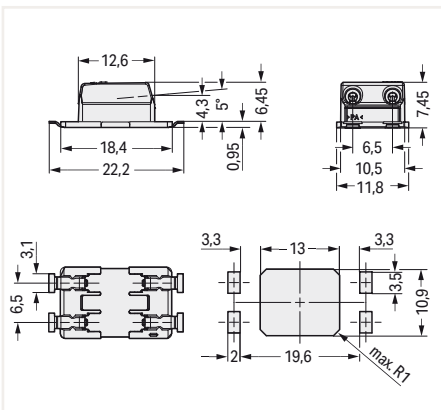
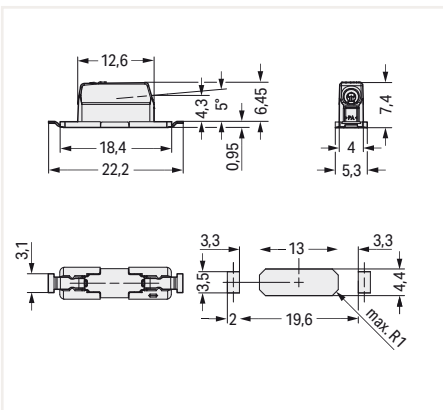
with Cover ▶ Marking: plain - + ▶ Pole No.: 3



Item No.	PU (SPU)
2070-541/998-406	4770 (954)

Item No.	PU (SPU)
2070-542/998-406	2385 (477)

Item No.	PU (SPU)
2070-543/998-406	1590 (318)



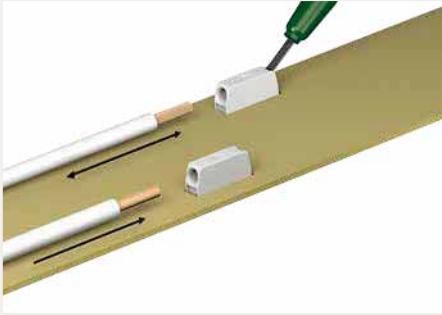
R = Feed direction

R = Feed direction

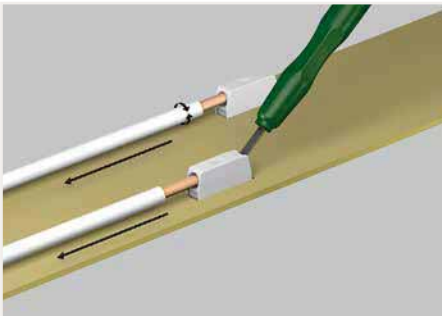
R = Feed direction

## Through-Board SMD PCB Terminal Block ▶ 2070 Series

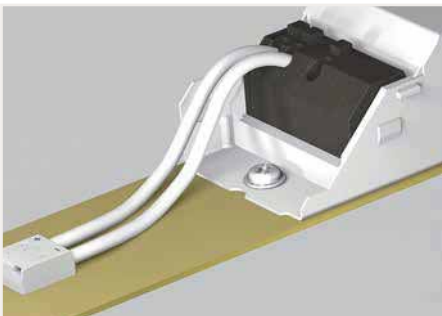
Push-in CAGE CLAMP® ▶ Pin spacing: 6.5 mm (0.256 inch) ▶ Actuation type: Operating tool ▶ 0.75 mm<sup>2</sup> ▶ Color: white



Insert fine-stranded conductors – and remove conductors – via operating tool. Solid conductors can also be terminated by simply pushing them in.



Use an operating tool or simply „twist and pull“ to remove solid conductors.



Shift wiring to the back of the LED module via 2070 Series SMD PCB Terminal Blocks.

## Board-to-Board Link for SMD PCB Terminal Blocks; 0.5 mm<sup>2</sup> Pin Spacing: 3 mm ▶ 2059 Series



- Board-to-board links simplify LED module assembly
- Easy push-in connection and disconnection

3

### Electrical Data for Pin Spacing 3 mm / 0.118 inch

Ratings per	IEC/EN 60664-1		
Overvoltage category	III	III	II
Pollution degree	3	2	2
Rated voltage	63 V	160 V	320 V
Rated surge voltage	2.5 kV	2.5 kV	2.5 kV
Rated Current	3 A	3 A	3 A

### Material Data

Material group	I
Insulation material	Polyamide 66 (PA 66)
Flammability class per UL94	V0
Limit temperature range	-60 ... 105 °C
Contact material	Copper alloy
Contact Plating	Silver-plated

Additional information, see "Technical Section"

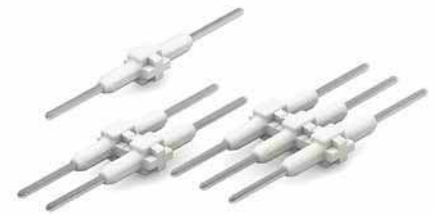
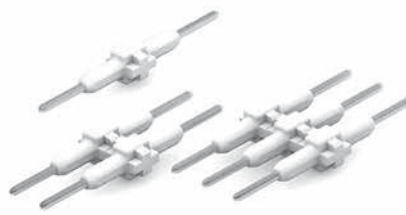
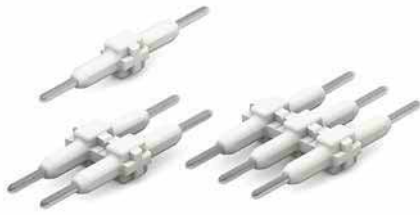
Approvals and corresponding ratings,  
visit [www.wago.com](http://www.wago.com)

# Board-to-Board Link for SMD PCB Terminal Blocks; 0.5 mm<sup>2</sup> Pin Spacing: 3 mm ▶ 2059 Series

Pin length: 15.3 mm

Pin length: 17.5 mm

Pin length: 20.5 mm

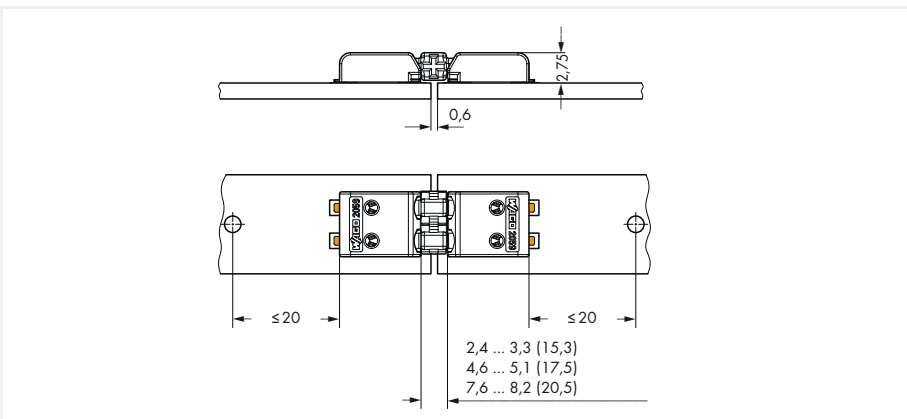
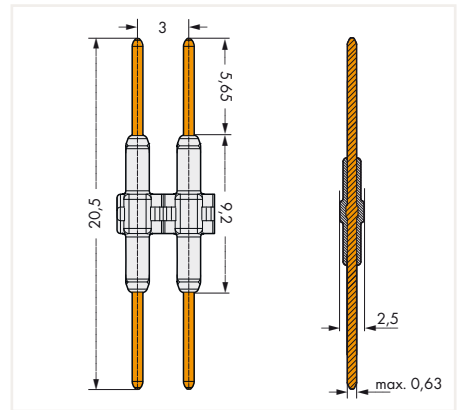
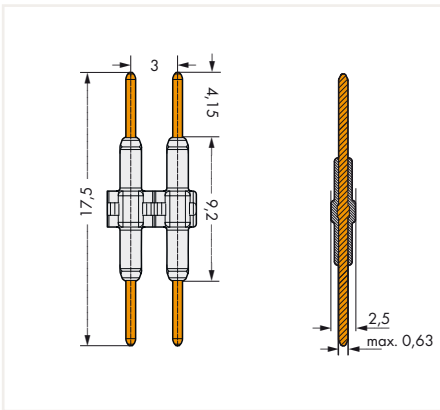
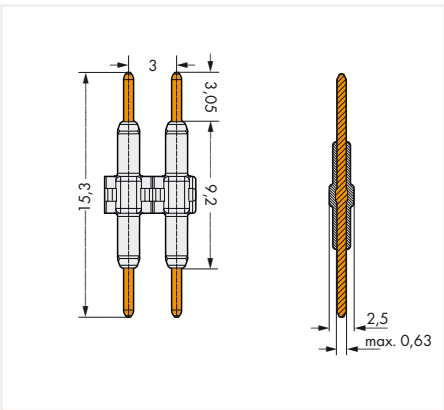


3

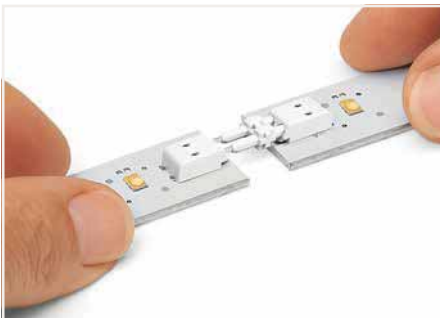
Pole No.	Item No.	PU
1	2059-901	1500
2	2059-902	500
3	2059-903	375
4	2059-904	250

Pole No.	Item No.	PU
1	2059-901/018-000	1500
2	2059-902/018-000	500
3	2059-903/018-000	375
4	2059-904/018-000	250

Pole No.	Item No.	PU
1	2059-901/021-000	1500
2	2059-902/021-000	500
3	2059-903/021-000	375
4	2059-904/021-000	250



Inserting a board-to-board link into the terminal block.



Assembly: Place PCBs on a flat surface and connect terminal blocks on adjoining PCBs via board-to-board link. Disassembly: Pull PCBs apart (max. 10 mating cycles).



The PCBs must be secured.

PU = Packaging Unit; SPU = Subpackaging Unit; Dimensions in mm

## Board-to-Board Links for SMD PCB Terminal Blocks with Push-Buttons; 0.75 mm<sup>2</sup> 2060 Series



- Board-to-board links simplify in-line assembly of LED modules
- Easy push-in connection and disconnection without push-button actuation

3

Electrical Data						
	Pin Spacing: 4 mm (0.157 in)			Pin Spacing: 8 mm (0.314 in)		
Ratings per	IEC/EN 60664-1					
Overvoltage category	III	III	II	III	III	II
Pollution degree	3	2	2	3	2	2
Nominal voltage	63 V	160 V	320 V	400 V	630 V	1000 V
Rated surge voltage	2.5 kV	2.5 kV	2.5 kV	6 kV	6 kV	6 kV
Rated current	9 A	9 A	9 A	9 A	9 A	9 A
Approvals per	UL 1977			UL 1977		
Rated voltage (UL)	250 V			600 V		
Rated current (UL)	9 A			9 A		

Material Data	
Material group	I
Insulation material	Polyamide 66 (PA 66)
Flammability class per UL94	V0
Limit temperature range	-60 ... 105 °C
Contact material	Copper alloy
Contact plating	Silver-plated

Additional information, see "Technical Section"

Approvals and corresponding ratings,  
visit [www.wago.com](http://www.wago.com)



# Board-to-Board Links for SMD PCB Terminal Blocks with Push-Buttons; 0.75 mm<sup>2</sup> 2060 Series

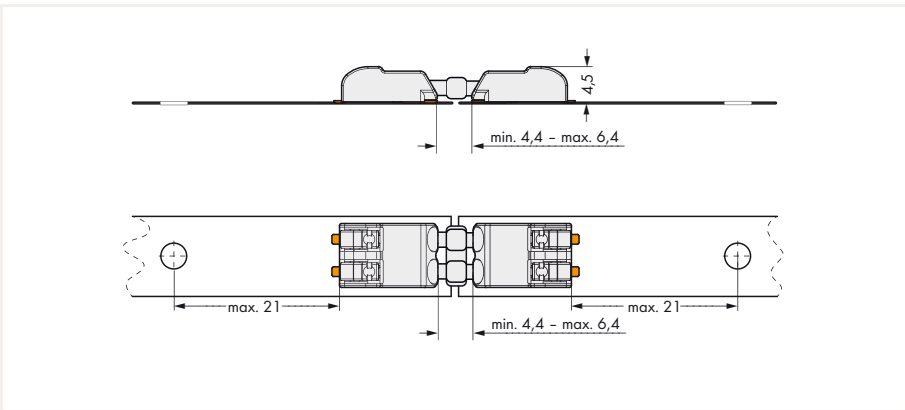
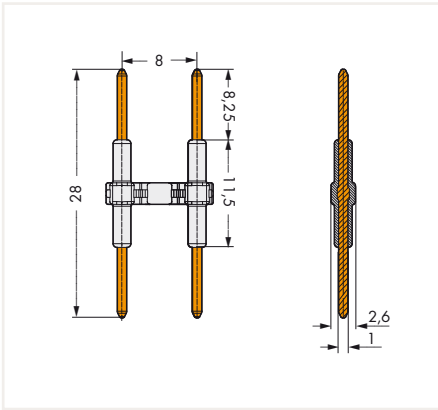
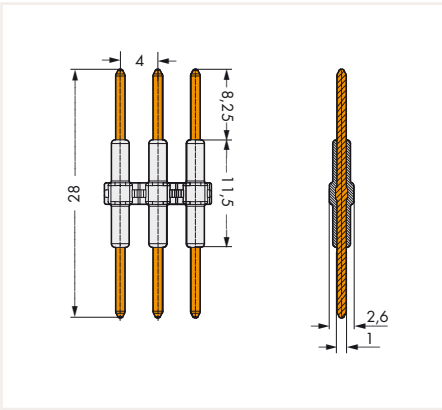
Pin Spacing: 4 mm (0.157 in)

Pin Spacing: 8 mm (0.314 in)

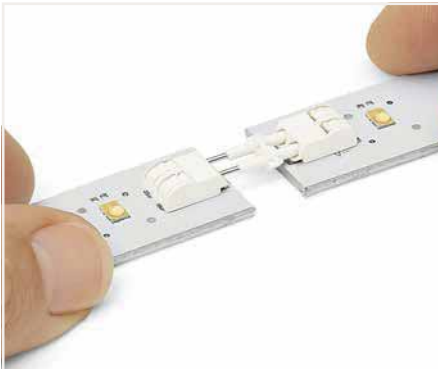


Pole No.	Item No.	PU
1	2060-951/028-000	1500
2	2060-952/028-000	500
3	2060-953/028-000	375
4	2060-954/028-000	250

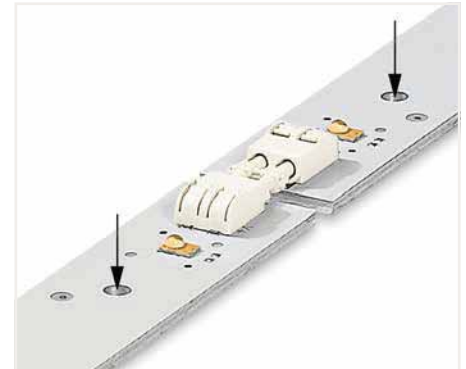
Pole No.	Item No.	PU
2	2060-962/028-000	375



Inserting a board-to-board link into the terminal block.



Assembly: Place PCBs on a flat surface and connect terminal blocks on adjoining PCBs via board-to-board link. Disassembly: Pull PCBs apart (max. 10 mating cycles).



The PCBs must be secured.

PU = Packaging Unit; SPU = Subpackaging Unit; Dimensions in mm

## Board-to-Board Link for SMD PCB Terminal Blocks with Push-Buttons

### 1.5 mm<sup>2</sup> ▶ Pin Spacing: 6 mm / 0.236 inch ▶ 2061 Series



- Board-to-board links simplify LED module assembly
- Easy push-in connection and disconnection without push-button actuation

3

#### Electrical Data for Pin Spacing 6 mm / 0.236 inch

Ratings per	IEC/EN 60664-1		
Overvoltage category	III	III	II
Pollution degree	3	2	2
Nominal voltage	250 V	320 V	630 V
Rated surge voltage	4 kV	4 kV	4 kV
Rated current	9 A	9 A	9 A

#### Material Data

Material group	I
Insulation material	Polyamide 66 (PA 66)
Flammability class per UL94	V0
Limit temperature range	-60 ... 105 °C
Contact material	Copper alloy
Contact Plating	Silver-plated

Additional information, see "Technical Section"

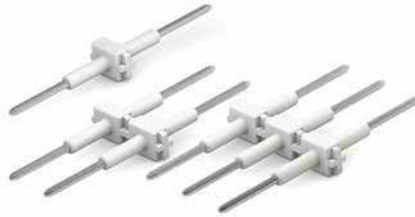
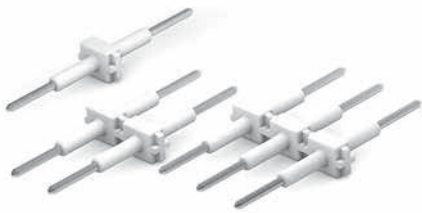
Approvals and corresponding ratings,  
visit [www.wago.com](http://www.wago.com)

# Board-to-Board Link for SMD PCB Terminal Blocks with Push-Buttons

## 1.5 mm<sup>2</sup> ▶ Pin Spacing: 6 mm ▶ 2061 Series

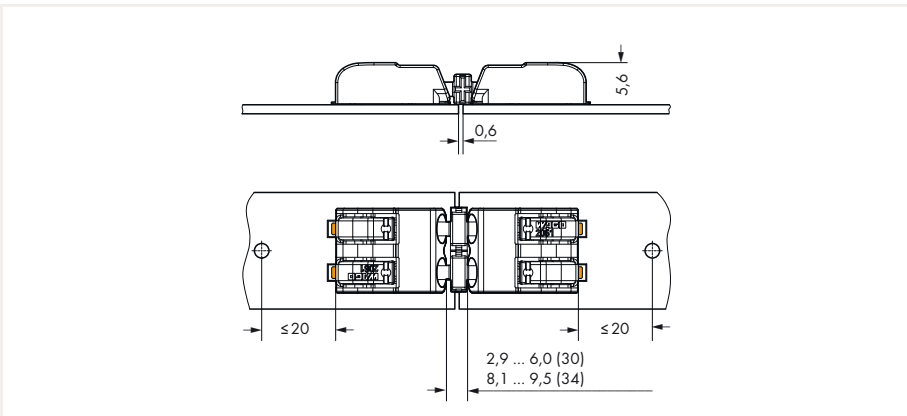
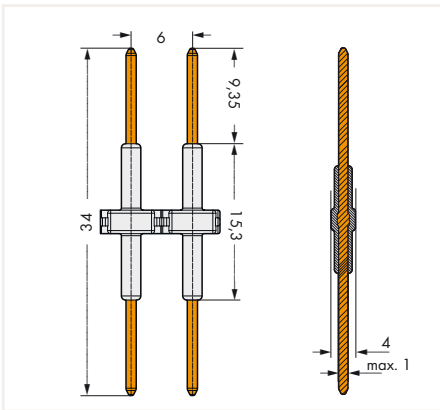
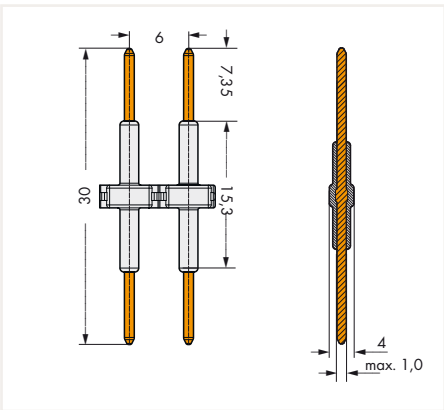
Pin length: 30 mm

Pin length: 34 mm

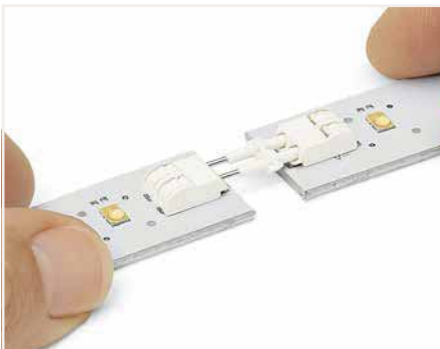


Pole No.	Item No.	PU
1	2061-901	700
2	2061-902	300
3	2061-903	200
4	2061-904	100

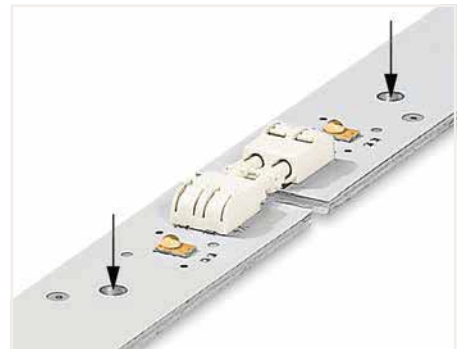
Pole No.	Item No.	PU
1	2061-901/034-000	700
2	2061-902/034-000	300
3	2061-903/034-000	200
4	2061-904/034-000	100



Inserting a board-to-board link into the terminal block.



Assembly: Place PCBs on a flat surface and connect terminal blocks on adjoining PCBs via board-to-board link. Disassembly: Pull PCBs apart (max. 10 mating cycles).



The PCBs must be secured.

PU = Packaging Unit; SPU = Subpackaging Unit; Dimensions in mm

# Operating Tools

3



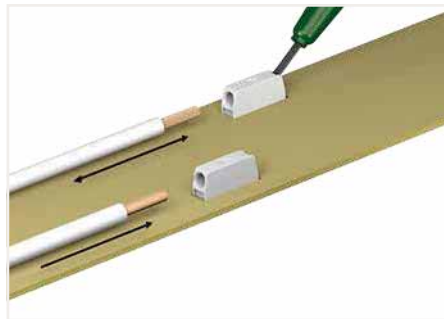
Operating tool		
Series	Item No.	PU
2059	206-859	5
2060	206-860	5
2061	206-861	5

Operating tool		
Series	Item No.	PU
2070	2070-400	1

Operating tool; insulated		
Series	Item No.	PU (SPU)
2059	2059-189	600 (50)
2060	2060-189	300 (50)
2061	2061-189	300 (50)



Inserting/removing fine-stranded conductors by lightly pressing on a push-button.

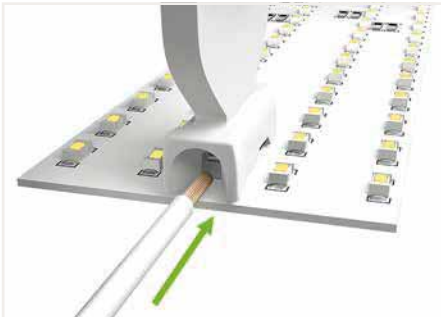


Insert fine-stranded conductors – and remove conductors – via operating tool. Solid conductors can

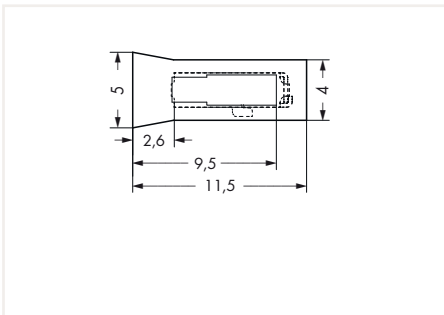
## Operating Tools



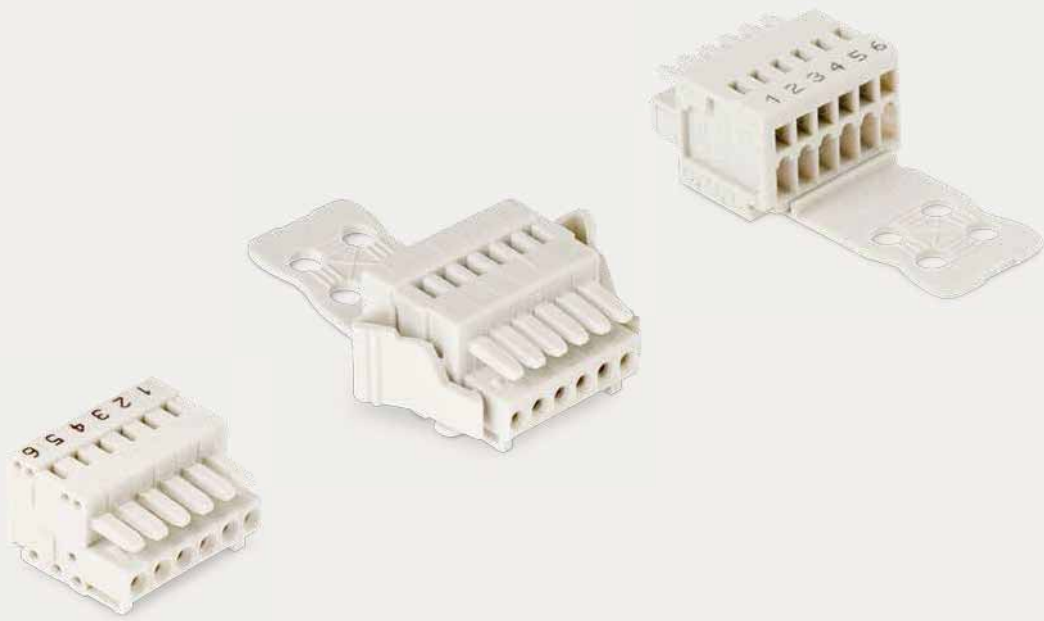
Operating tool; insulated		
Series	Item No.	PU (SPU)
2065	2065-189	600 (50)



The operating tool's funneled conductor entry accurately guides the conductor into the terminal block







Required area for operating tool



# **WAGO MULTI CONNECTION SYSTEM MICRO**

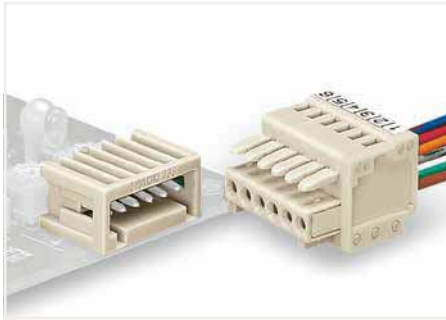
# WAGO MULTI CONNECTION SYSTEM MICRO

## Pin Spacing: 2.5 mm / Nominal Cross-Section: 0.5 mm<sup>2</sup>

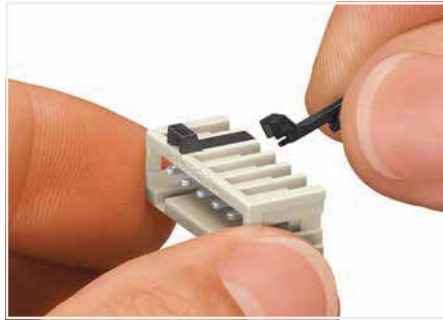
	Page
	<p>MCS MICRO 1-Conductor Female Connectors ▶ Actuation type: Operating tool ▶ CAGE CLAMP®</p> <p style="text-align: right;">328</p>
	<p>MCS MICRO 1-Conductor Male Connectors ▶ Actuation type: Operating tool ▶ CAGE CLAMP®</p> <p style="text-align: right;">330</p>
	<p>MCS MICRO THT Male Headers</p> <p style="text-align: right;">332</p>
	<p>THR Male Headers</p> <p style="text-align: right;">336</p>
	<p>MCS MICRO Accessories</p> <p style="text-align: right;">342</p>
	<p>Accessories and Tools</p> <p style="text-align: right;">829</p>

# MCS MICRO

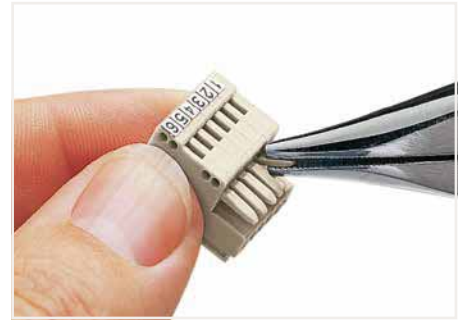
## Description and Installation



Male headers and female connectors are 100 % protected against mismatching. Only mating halves with the same pole number can be connected.



Coding a male header – fitting coding key(s).



Coding a female connector – removing coding finger(s).

4



Wire-to-wire connection of single conductors



Wire-to-wire connection of multi-core cables  
Plug-in connection using strain relief plates and locking levers



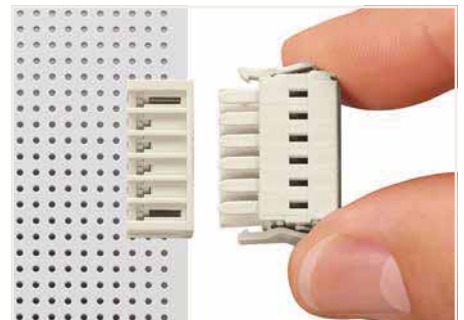
THR male headers for reflow soldering in SMT applications



Tape-and-reel packaging for THR male headers



Locking levers prevent accidental disconnection.

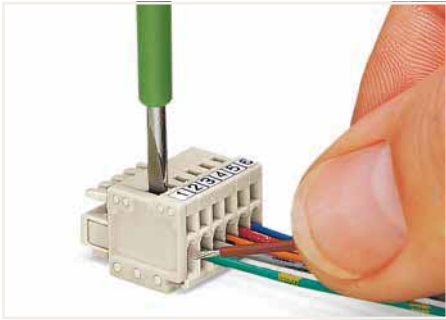


Locking levers prevent accidental disconnection.

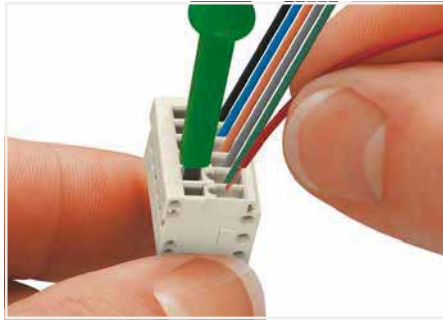


# MCS MICRO

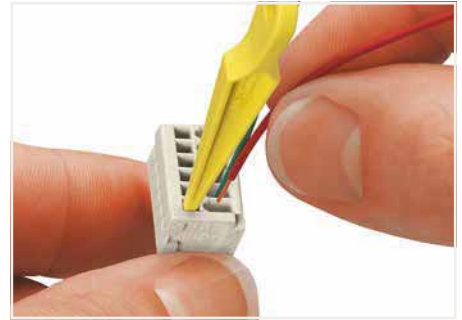
## Description and Installation



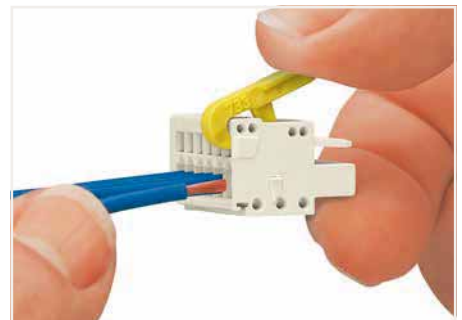
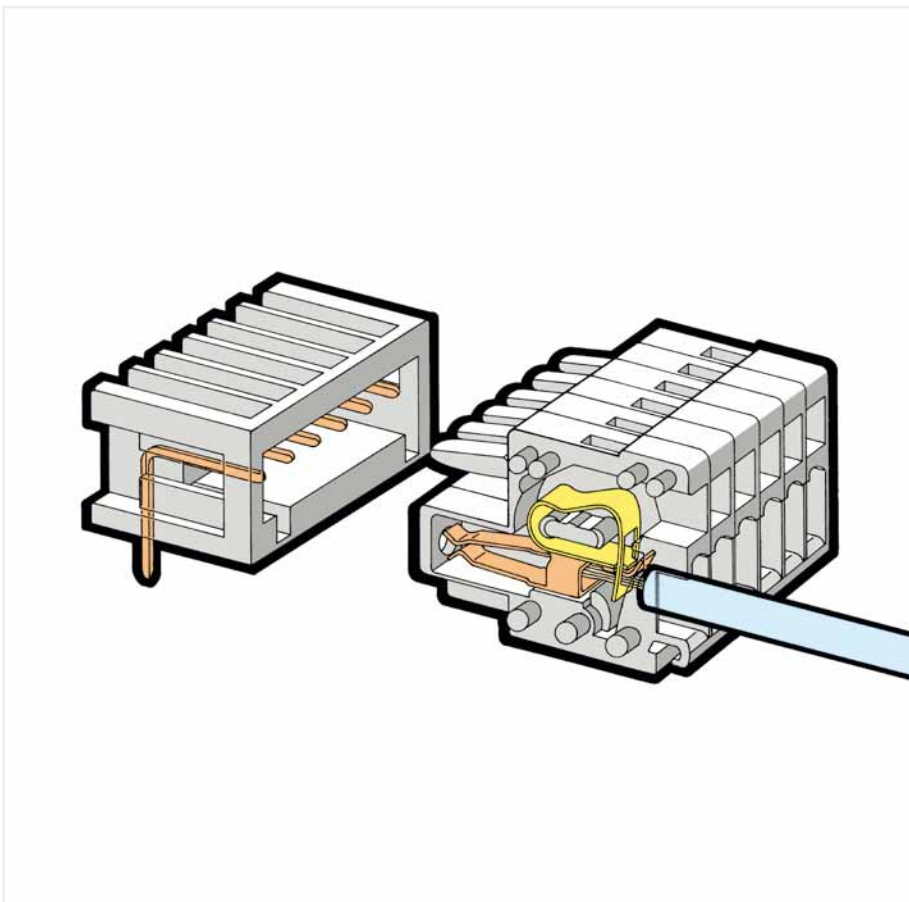
Inserting a conductor via (2.5 x 0.4) mm screwdriver. Operation is performed perpendicular to conductor entry.



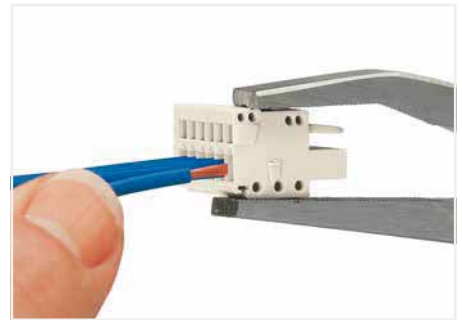
Inserting a conductor via screwdriver (233-335) – CAGE CLAMP® actuation parallel to conductor entry.



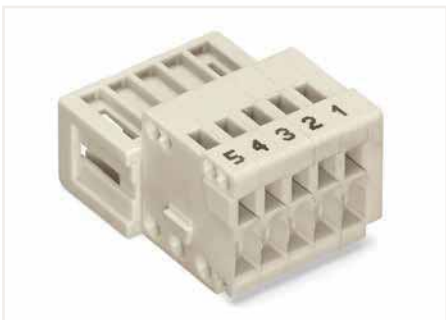
Inserting a conductor via 233-331 Operating Tool. Operation is performed parallel to conductor entry.



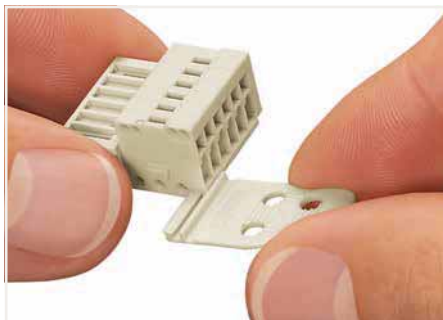
Marking via self-adhesive strips or factory direct marking



Inserting a conductor via 210-251 Operating Tool.



Marking via self-adhesive strips or factory direct marking



Strain relief plates for factory or in-the-field assembly.

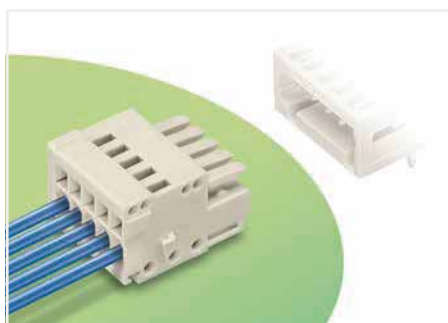


Testing via 1 mm Ø test pin (735-500) – touch contact.

4

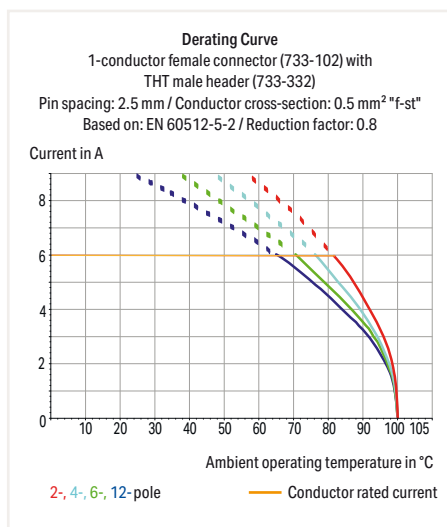
## 1-Conductor Female Connector ▶ MCS MICRO ▶ 733 Series

Pin spacing: 2.5 mm (0.098 inch) ▶ Actuation type: Operating tool ▶ CAGE CLAMP® ▶ Color: light gray



- Universal connection for all conductor types
- Easy cable pre-assembly and on-unit wiring via vertical and horizontal CAGE CLAMP® actuation
- Strain relief plates for factory and in-the-field assembly
- 100 % protected against mismatching
- Coding via coding fingers

4



### Electrical Data

Ratings per	IEC/EN 60664-1		
Overvoltage category	III	III	II
Pollution degree	3	2	2
Rated voltage	100 V	160 V	320 V
Rated impulse voltage	2.5 kV	2.5 kV	2.5 kV
Rated current	6 A	6 A	6 A
Approvals per	UL 1059		
Use Group	B	C	D
Rated voltage	150 V	-	-
Rated current	4 A	-	-
Approvals per	CSA		
Use Group	B	C	D
Rated voltage	150 V	-	-
Rated current	4 A	-	-

### Connection Data

Connection technology	CAGE CLAMP®
Strip length	5 ... 6 mm / 0.2 ... 0.24 inch
Solid conductor	0.08 ... 0.5 mm <sup>2</sup> / 28 ... 20 AWG
Fine-stranded conductor	0.08 ... 0.5 mm <sup>2</sup> / 28 ... 20 AWG
Fine-stranded conductor with ferrule with plastic collar	0.25 ... 0.34 mm <sup>2</sup>
Fine-stranded conductor with ferrule without plastic collar	0.25 ... 0.34 mm <sup>2</sup>

### Material Data

Material group	I
Insulating material	Polyamide 66 (PA 66)
Flammability class per UL94	V0
Clamping spring material	Chrome nickel spring steel (CrNi)
Contact material	Copper alloy
Contact plating	Tin-plated

### Environmental Requirements

Limit temperature range	-60 ... +100 °C
-------------------------	-----------------

The *MULTI CONNECTION SYSTEM (MCS)* is designed without breaking capacity for compliance with DIN EN 61984. When used as intended, MCS Connectors shall not be connected/disconnected when live or under load. The circuit design should ensure header pins, which can be touched, are not live when unmated.

Ferrule	Page 847
Marking	Page 832
Strain relief	Page 343
Testing and measuring	Page 854
Tools	Page 342, 838
Direct marking	Page 340
Additional information, see "Technical Section"	
Approvals and corresponding ratings, visit <a href="http://www.wago.com">www.wago.com</a>	

### 1-Conductor Female Connector ▶ MCS MICRO ▶ 733 Series

Pin spacing: 2.5 mm (0.098 inch) ▶ Actuation type: Operating tool ▶ CAGE CLAMP® ▶ Color: light gray

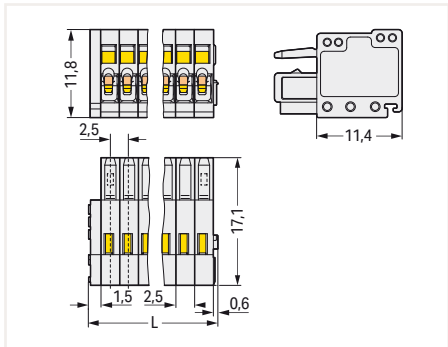
Locking of plug-in connection: locking lever



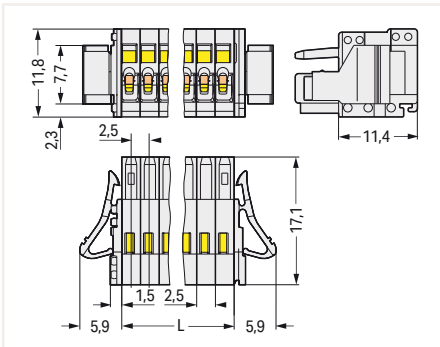
Pole No.	Item No.	PU
2	733-102	200
3	733-103	200
4	733-104	200
5	733-105	100
6	733-106	100
7	733-107	100
8	733-108	100
9	733-109	100
10	733-110	100
12	733-112	50

Pole No.	Item No.	PU
2	733-102/037-000	100
3	733-103/037-000	100
4	733-104/037-000	100
5	733-105/037-000	100
6	733-106/037-000	100
7	733-107/037-000	50
8	733-108/037-000	50
9	733-109/037-000	50
10	733-110/037-000	50
12	733-112/037-000	50

4



L = (pole no. x pin spacing) + 2.1 mm



L = pole no. x pin spacing

PU = Packaging Unit; SPU = Subpackaging Unit; Dimensions in mm

Other variants can be requested via the WAGO sales department or, if necessary, configured at <https://configurator.wago.com/>:

- Other pole numbers
- Gold-plated or partially gold-plated contact surfaces

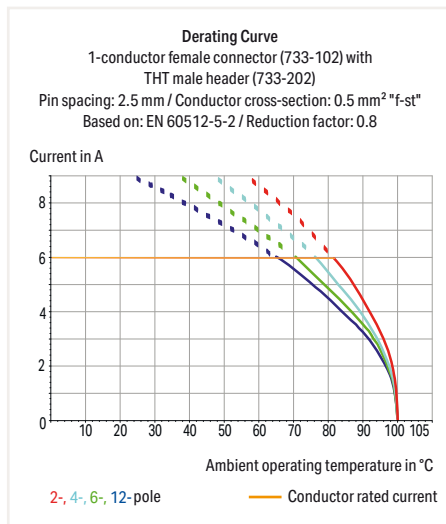
## 1-Conductor Male Connector ▶ MCS MICRO ▶ 733 Series

Pin spacing: 2.5 mm (0.098 inch) ▶ Actuation type: Operating tool ▶ CAGE CLAMP® ▶ Color: light gray



- Universal connection for all conductor types
- Easy cable pre-assembly and on-unit wiring via vertical and horizontal CAGE CLAMP® actuation
- For wire-to-wire connections
- 100 % protected against mismatching
- Coding via coding fingers

4



### Electrical Data

Ratings per	IEC/EN 60664-1		
Overvoltage category	III	III	II
Pollution degree	3	2	2
Rated voltage	100 V	160 V	320 V
Rated impulse voltage	2.5 kV	2.5 kV	2.5 kV
Rated current	6 A	6 A	6 A

Approvals per	UL 1059		
Use Group	B	C	D
Rated voltage	150 V	-	-
Rated current	4 A	-	-

Approvals per	CSA		
Use Group	B	C	D
Rated voltage	150 V	-	-
Rated current	4 A	-	-

### Connection Data

Connection technology	CAGE CLAMP®
Strip length	5 ... 6 mm / 0.2 ... 0.24 inch
Solid conductor	0.08 ... 0.5 mm <sup>2</sup> / 28 ... 20 AWG
Fine-stranded conductor	0.08 ... 0.5 mm <sup>2</sup> / 28 ... 20 AWG
Fine-stranded conductor with ferrule with plastic collar	0.25 ... 0.34 mm <sup>2</sup>
Fine-stranded conductor with ferrule without plastic collar	0.25 ... 0.34 mm <sup>2</sup>

### Material Data

Material group	I
Insulating material	Polyamide 66 (PA 66)
Flammability class per UL94	V0
Clamping spring material	Chrome nickel spring steel (CrNi)
Contact material	Electrolytic copper (Ecu)
Contact plating	Tin-plated

### Environmental Requirements

Limit temperature range	-60 ... +100 °C
-------------------------	-----------------

The *MULTI CONNECTION SYSTEM (MCS)* is designed without breaking capacity for compliance with DIN EN 61984. When used as intended, MCS Connectors shall not be connected/disconnected when live or under load. The circuit design should ensure header pins, which can be touched, are not live when unmated.

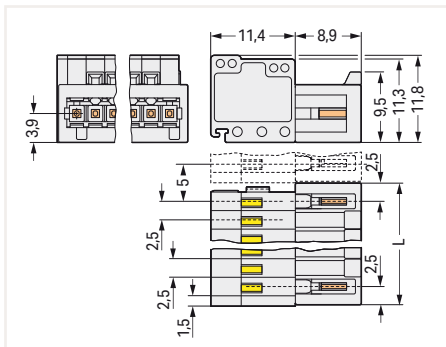
Coding	Page 342
Ferrule	Page 847
Strain relief	Page 343
Testing and measuring	Page 854
Tools	Page 342
Direct marking	Page 340
Additional information, see "Technical Section"	
Approvals and corresponding ratings, visit <a href="http://www.wago.com">www.wago.com</a>	

## 1-Conductor Male Connector ▶ MCS MICRO ▶ 733 Series

Pin spacing: 2.5 mm (0.098 inch) ▶ Actuation type: Operating tool ▶ CAGE CLAMP® ▶ Color: light gray



Pole No.	Item No.	PU
2	733-202	200
3	733-203	200
4	733-204	200
5	733-205	100
6	733-206	100
7	733-207	100
8	733-208	100
9	733-209	100
10	733-210	100
12	733-212	50



L = (pole no. + 1) x pin spacing

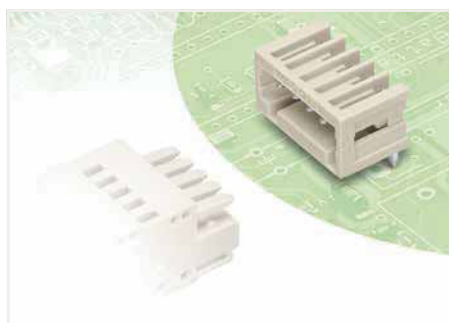
PU = Packaging Unit; SPU = Subpackaging Unit; Dimensions in mm

Other variants can be requested via the WAGO sales department or, if necessary, configured at <https://configurator.wago.com/>:

- Other pole numbers
- Gold-plated or partially gold-plated contact surfaces

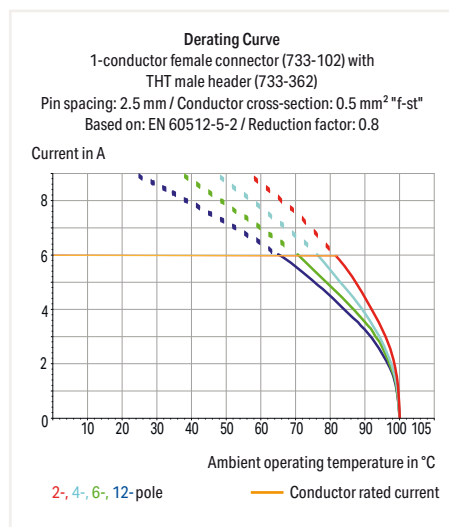
**THT Male Header ▶ MCS MICRO ▶ 733 Series**

Pin spacing: 2.5 mm (0.098 inch) ▶ Solder pin dimensions: 0.8 x 0.8 mm ▶ Color: light gray



- Horizontal or vertical PCB mounting via straight or angled solder pins
- 100 % protected against mismatching; only mating halves with the same number of poles can be connected together
- Coding via coding fingers

4

**Electrical Data**

Ratings per	IEC/EN 60664-1		
Overvoltage category	III	III	II
Pollution degree	3	2	2
Rated voltage	80 V	160 V	320 V
Rated impulse voltage	2.5 kV	2.5 kV	2.5 kV
Rated current	6 A	6 A	6 A
Approvals per	UL 1059		
Use Group	B	C	D
Rated voltage	150 V	-	-
Rated current	4 A	-	-
Approvals per	CSA		
Use Group	B	C	D
Rated voltage	150 V	-	-
Rated current	4 A	-	-

**Material Data**

Material group	I
Insulating material	Polyamide 66 (PA 66)
Flammability class per UL94	V0
Contact material	Electrolytic copper (Ecu)
Contact plating	Tin-plated

**Mechanical Data**

Solder pin arrangement	Over the entire male connector, in line
Solder pin dimensions	0.8 x 0.8 mm
Drilled hole diameter (tolerance)	1.1 <sup>(+0.1)</sup> mm

**Environmental Requirements**

Limit temperature range	-60 ... +100 °C
-------------------------	-----------------

The *MULTI CONNECTION SYSTEM (MCS)* is designed without breaking capacity for compliance with DIN EN 61984. When used as intended, MCS Connectors shall not be connected/disconnected when live or under load. The circuit design should ensure header pins, which can be touched, are not live when unmated.

Coding Page 342

Additional information, see "Technical Section"

Approvals and corresponding ratings, visit [www.wago.com](http://www.wago.com)

## THT Male Header ► MCS MICRO ► 733 Series

Pin spacing: 2.5 mm (0.098 inch) ► Solder pin dimensions: 0.8 x 0.8 mm ► Color: light gray

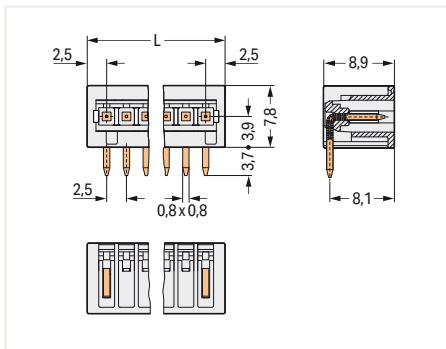
Mating direction to the PCB: 0°

Mating direction to the PCB: 90°

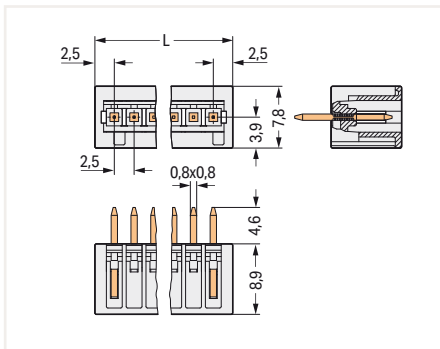


Pole No.	Item No.	PU
2	733-362	200
3	733-363	200
4	733-364	200
5	733-365	200
6	733-366	200
7	733-367	200
8	733-368	200
9	733-369	200
10	733-370	200
12	733-372	100

Pole No.	Item No.	PU
2	733-332	200
3	733-333	200
4	733-334	200
5	733-335	200
6	733-336	200
7	733-337	200
8	733-338	200
9	733-339	200
10	733-340	200
12	733-342	100



L = (pole no. + 1) x pin spacing



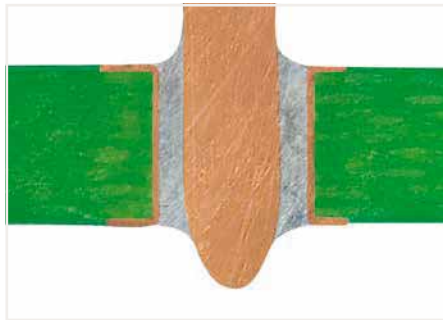
L = (pole no. + 1) x pin spacing

PU = Packaging Unit; SPU = Subpackaging Unit; Dimensions in mm

Other variants can be requested via the WAGO sales department or, if necessary, configured at <https://configurator.wago.com/>:

- Other pole numbers
- 3.8 mm pin projection for male headers with straight solder pins
- Gold-plated or partially gold-plated contact surfaces

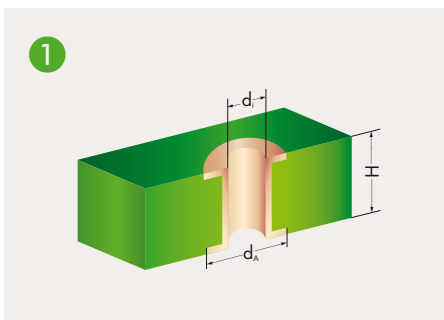
# THR (Through-Hole Reflow) Soldering Process



By using high-temperature-resistant plastic and a streamlined pin design, WAGO's THR male headers and PCB terminal blocks meet requirements for SMT process capability while maintaining the necessary stability. Both headers and terminal blocks are simply pushed into the solder paste-filled PCB holes and then soldered along with the SMT components via reflow soldering. The previous wave soldering process is no longer necessary. The result is a perfect connection – both mechanically and electrically.

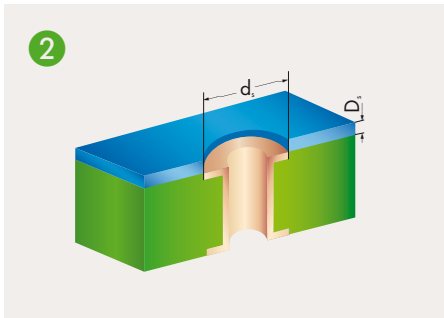
Terminal strips with an additional suction pad in tape-and-reel packaging per IEC 60286-3 WAGO recommends both a temperature profile that adheres to EN 61760-1 and the use of forced convection ovens for processing THR components.

4



Metal-plated PCB bore hole

Series	d <sub>i</sub> (mm)	d <sub>A</sub> (mm)	H (mm)	d <sub>s</sub> (mm)	D <sub>s</sub> (µm)	d (mm)	L (mm)
218	1,1 <sup>+0,1</sup>	1,9	< 2	1,8	150	0,9	2,8
231 (1 x 1 mm)	1,4 <sup>+0,1</sup>	2,5	< 2	2,4	150	1,2	2,4
231 (1,2 x 1,2 mm)	1,7 <sup>+0,1</sup>	2,8	< 2	2,7	150	1,5	2,4
236	1,1 <sup>+0,1</sup>	2,2	< 2	2,1	150	0,9	3,6
250	1,1 <sup>+0,1</sup>	2,0	< 2	1,9	150	0,9	3,6
713	1,2 <sup>+0,1</sup>	1,9	< 2	1,8	150	1,0	2,4
733	1,2 <sup>+0,1</sup>	1,9	< 2	1,8	150	1,0	2,4
734	1,4 <sup>+0,1</sup>	2,5	< 2	2,4	150	1,2	2,4
2060 THR	1,5 <sup>+0,1</sup>	2,4	< 2	2,3	150	1,25	2,4
2061 THR	1,5 <sup>+0,1</sup>	2,4	< 2	2,3	150	1,25	1,5/2,4



SMD positioning pattern

d<sub>i</sub>: Plated through-hole diameter

d<sub>A</sub>: Outer diameter of metal-plated PCB hole\*

H: PCB thickness

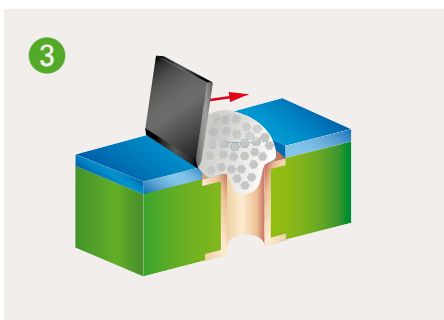
d<sub>s</sub>: Pattern hole diameter

D<sub>s</sub>: Pattern thickness

d: Pin diagonal

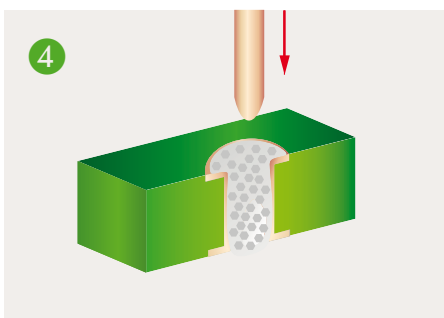
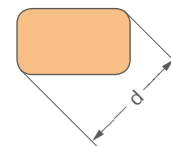
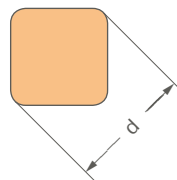
L: Pin length

\* When laying out the metal-plated bore holes, the clearance and creepage distance requirements – as specified in the equipment standards – must be considered.

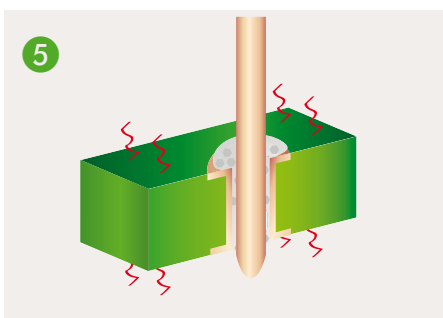


Solder paste application

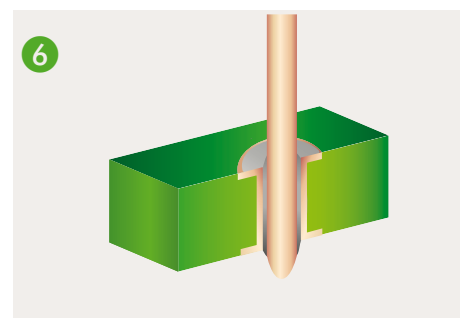
Soldering pin form



Component assembly, automatic/by hand



Reflow soldering process



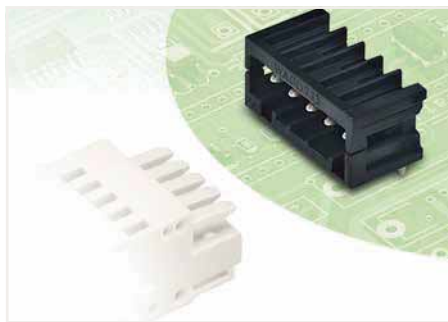
THR soldering joint





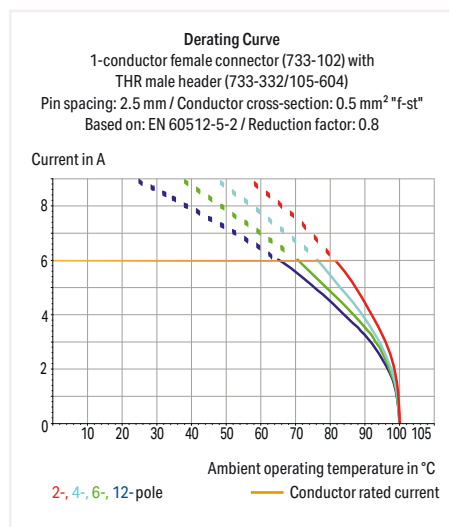
**THR Male Header ▶ MCS MICRO ▶ 733 Series**

Pin spacing: 2.5 mm (0.098 inch) ▶ Solder pin dimensions: 0.8 x 0.8 mm ▶ Color: black



- THR male headers for reflow soldering in SMT applications
- Available in tape-and-reel packaging for automated pick-and-place PCB assembly
- Optimal thermal penetration via pin enclosure design provides lower soldering temperatures
- 100 % protected against mismatching
- Coding via coding fingers

4

**Electrical Data**

Ratings per	IEC/EN 60664-1		
Overvoltage category	III	III	II
Pollution degree	3	2	2
Rated voltage	80 V	160 V	320 V
Rated impulse voltage	2.5 kV	2.5 kV	2.5 kV
Rated current	6 A	6 A	6 A

**Material Data**

Material group	I
Insulating material	Polyphtalamide (PPA GF)
Flammability class per UL94	V0
Contact material	Electrolytic copper (Ecu)
Contact plating	Tin-plated

**Mechanical Data**

Solder pin arrangement	Over the entire male connector, in line
Solder pin length	2.4 mm
Solder pin dimensions	0.8 x 0.8 mm
Plated through-hole diameter (THR)	1.2 <sup>(+0.1)</sup> mm

**Environmental Requirements**

Limit temperature range	-60 ... +100 °C
-------------------------	-----------------

The *MULTI CONNECTION SYSTEM (MCS)* is designed without breaking capacity for compliance with DIN EN 61984. When used as intended, MCS Connectors shall not be connected/disconnected when live or under load. The circuit design should ensure header pins, which can be touched, are not live when unmated.

THR-soldering process Page 334

Coding Page 342

Additional information, see "Technical Section"

Approvals and corresponding ratings, visit [www.wago.com](http://www.wago.com)

# THR Male Header ▶ MCS MICRO ▶ 733 Series

Pin spacing: 2.5 mm (0.098 inch) ▶ Solder pin dimensions: 0.8 x 0.8 mm ▶ Color: black

Mating direction to the PCB: 0°

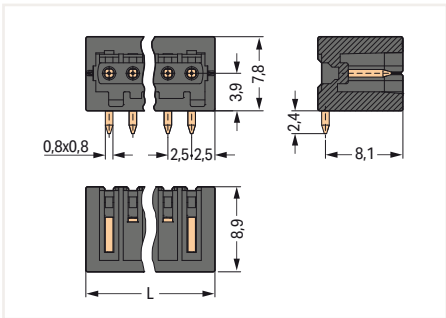
Suitable for automated assembly



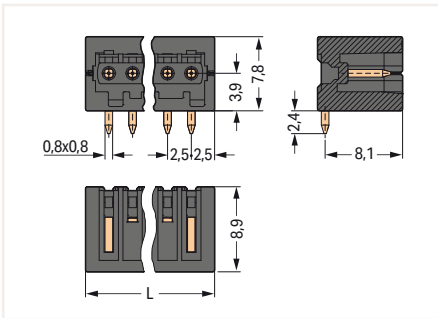
Pole No.	Item No.	PU
2	733-362/105-604	200
3	733-363/105-604	200
4	733-364/105-604	200
5	733-365/105-604	200
6	733-366/105-604	200
7	733-367/105-604	200
8	733-368/105-604	200
9	733-369/105-604	200
10	733-370/105-604	200
12	733-372/105-604	100

Pole No.	Item No.	PU
2	733-362/105-604/997-406	300
3	733-363/105-604/997-406	300
4	733-364/105-604/997-406	300
5	733-365/105-604/997-406	300
6	733-366/105-604/997-406	300
7	733-367/105-604/997-406	300
8	733-368/105-604/997-406	300
9	733-369/105-604/997-406	300
10	733-370/105-604/997-406	300
12	733-372/105-604/997-406	300

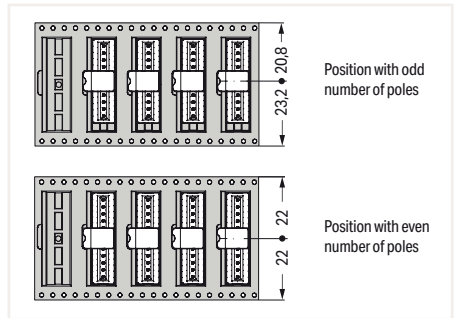
4



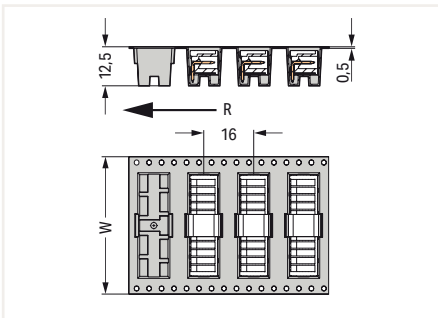
L = (pole no. + 1) x pin spacing



L = (pole no. + 1) x pin spacing



Pin position in tape-and-reel packaging



W = Tape width  
R = Feed direction

PU = Packaging Unit; SPU = Subpackaging Unit; Dimensions in mm

Other variants can be requested via the WAGO sales department or, if necessary, configured at <https://configurator.wago.com/>:

- Other pole numbers
- Other solder pin lengths
- Gold-plated or partially gold-plated contact surfaces

# THR Male Header ▶ MCS MICRO ▶ 733 Series

Pin spacing: 2.5 mm (0.098 inch) ▶ Solder pin dimensions: 0.8 x 0.8 mm ▶ Color: black

Mating direction to the PCB: 90°

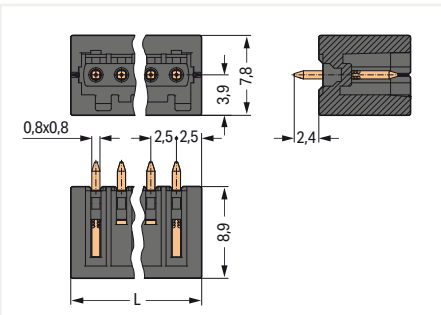
Suitable for automated assembly



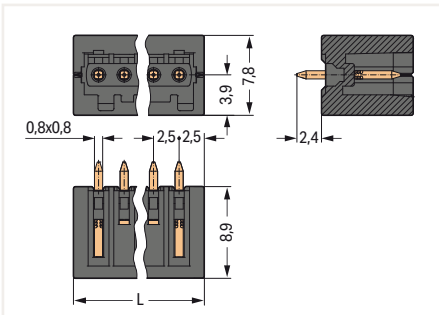
4

Pole No.	Item No.	PU
2	733-332/105-604	200
3	733-333/105-604	200
4	733-334/105-604	200
5	733-335/105-604	200
6	733-336/105-604	200
7	733-337/105-604	200
8	733-338/105-604	200
9	733-339/105-604	200
10	733-340/105-604	200
12	733-342/105-604	100

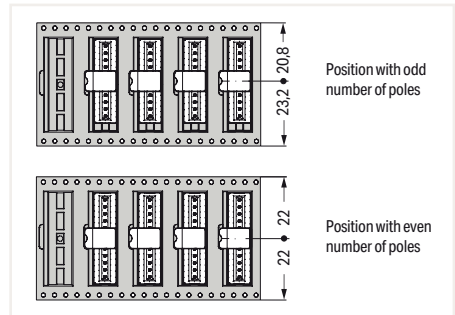
Pole No.	Item No.	PU
2	733-332/105-604/997-446	290
3	733-333/105-604/997-446	290
4	733-334/105-604/997-446	290
5	733-335/105-604/997-446	290
6	733-336/105-604/997-446	290
7	733-337/105-604/997-446	290
8	733-338/105-604/997-446	290
9	733-339/105-604/997-446	290
10	733-340/105-604/997-446	290
12	733-342/105-604/997-446	290



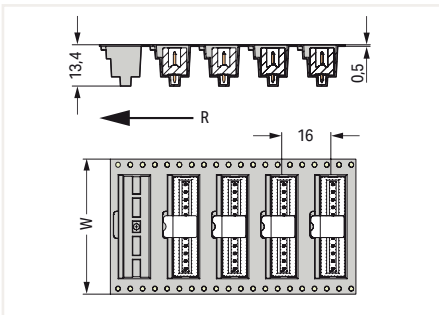
L = (pole no. + 1) x pin spacing



L = (pole no. + 1) x pin spacing



Pin position in tape-and-reel packaging



W= Tape width  
R = Feed direction

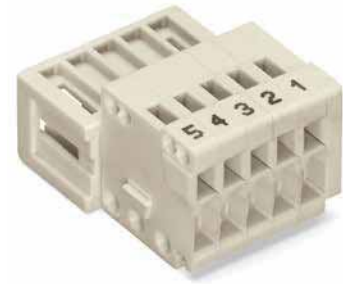
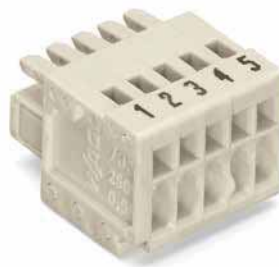
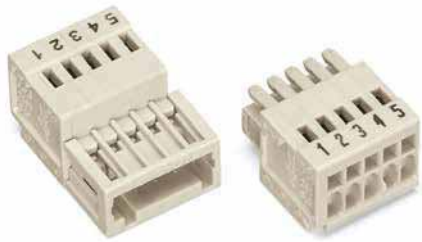
PU = Packaging Unit; SPU = Subpackaging Unit; Dimensions in mm

Other variants can be requested via the WAGO sales department or, if necessary, configured at <https://configurator.wago.com/>:

- Other pole numbers
- Other solder pin lengths
- Gold-plated or partially gold-plated contact surfaces



# Direct Marking MCS MICRO



4

The pole numbers of male and female connectors for CAGE CLAMP® termination can be marked via factory direct marking.

Two standard marking orientations are available:

1. Marking perpendicular to conductor entry
2. Marking parallel to conductor entry

Other customized marking options are available upon request.

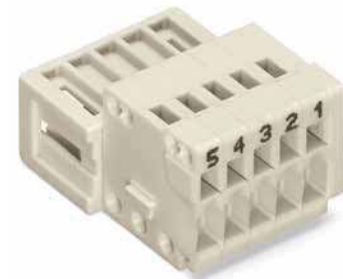
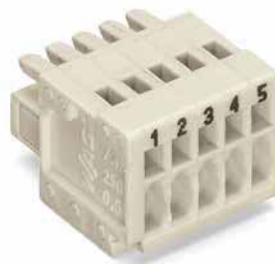
Direct marking is not suitable for MCS PCB male headers. WAGO recommends pole marking on the PCB for these headers.

Direct marking of female connectors, perpendicular to conductor entry, 1 ... pole no., item no. suffix.: /... - 047

Version	Item No. Example
1-cond. female connector, 5-pole, light gray	733-105/000-047
1-cond. female connector, with locking levers, 5-pole, light gray	733-105/037-047
1-cond. female connector, with strain relief plate, 5-pole, light gray	733-105/033-047
1-cond. female connector, with locking levers and strain relief plate, 5-pole, light gray	733-105/037-047/033-000

Direct marking of male connectors, perpendicular to conductor entry, pole no. ... 1, item no. suffix.: /... - 044

Version	Item No. Example
1-cond. male connector, 5-pole, light gray	733-205/000-044
1-cond. male connector, with strain relief plate, 5-pole, light gray	733-205/033-044



Direct marking of female connectors, parallel to conductor entry, 1 ... pole no., item no. suffix.: /... - 9037

Version	Item No. Example
1-cond. female connector, 5-pole, light gray	733-105/000-9037
1-cond. female connector, with locking levers, 5-pole, light gray	733-105/037-9037
1-cond. female connector, with strain relief plate, 5-pole, light gray	733-105/033-9037
1-cond. female connector, with locking levers and strain relief plate, 5-pole, light gray	733-105/037-9037/033-000

Direct marking of male connectors, parallel to conductor entry, pole no. ... 1, item no. suffix.: /... - 9034

Version	Item No. Example
1-cond. male connector, 5-pole, light gray	733-205/000-9034
1-cond. male connector, with strain relief plate, 5-pole, light gray	733-205/033-9034



## Operating Tools and Coding Keys

### MCS MICRO



4

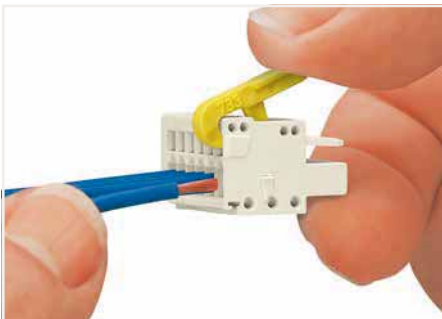
Operating lever for male and female connectors with CAGE CLAMP® connection; 2.5 mm pin spacing

Color	Item No.	PU (SPU)
○ natural	733-130	100 (25)
● yellow	733-191	100 (25)

Coding key for male headers

Color	Item No.	PU (SPU)
○ white	733-330	100
● lack*	733-331	100

\*suitable for THR soldering



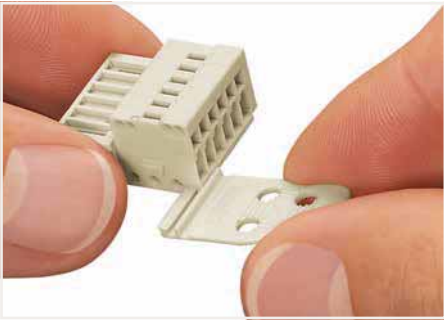
Inserting a conductor via operating lever.



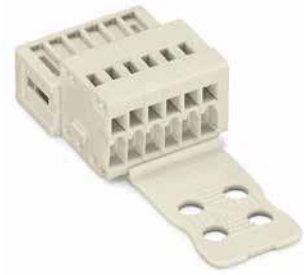
Coding a male header via snap-on coding keys.



# Strain Relief Plates MCS MICRO



Strain relief plate for in-the-field assembly



Strain relief plate; for factory assembly; 1-conductor female connector; 2.5 mm pin spacing; light gray; 2-pole, with strain relief plate (733-102/032-000)

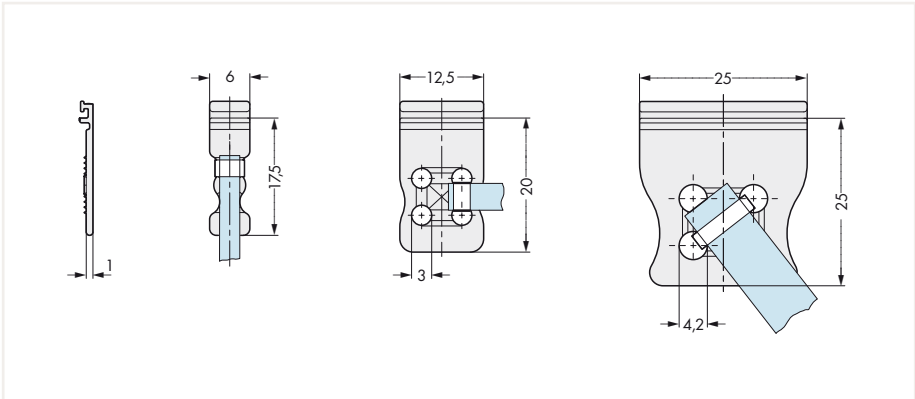


Strain relief plate; for factory assembly; 1-conductor female connector; 2.5 mm pin spacing; light gray; 12-pole; with strain relief plate (733-112/034-000)

Strain relief plate, for in-the-field assembly; for male and female connectors with CAGE CLAMP® connection; light gray			
Pole No.	Width	Item No.	PU (SPU)
2 ... 4	6 mm	734-127	100 (25)
5 ... 9	12.5 mm	734-128	100 (25)
10 ... 12	25 mm	734-129	100 (25)

Strain relief plate; pre-assembled; for male and female connectors with CAGE CLAMP® connection; light gray			
Pole No.	Width	Item No. Suffix *	
2 ... 4	6 mm	... /032-000	
5 ... 9	12.5 mm	... /033-000	
10 ... 12	25 mm	... /034-000	

\*An "item no. suffix," referring to the width of the strain relief plate, is added to the "basic item no." and determines the type of male or female connector.



The arrangement of the attachments for cable ties allows single conductors or multi-core cables to be secured in different ways. The width of the cable ties must correspond to the hole dimensions of the strain relief plates shown above.

Cable ties and binding tools are not offered by WAGO.








PU = Packaging Unit; SPU = Subpackaging Unit; Dimensions in mm



# **WAGO *MULTI CONNECTION SYSTEM* MINI**

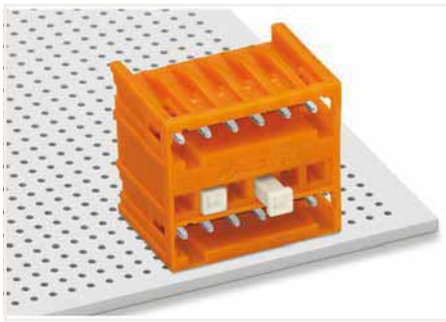
## WAGO MULTI CONNECTION SYSTEM MINI

Pin Spacing: 3.5 mm, 3.81 mm ▶ 1.5 mm<sup>2</sup>

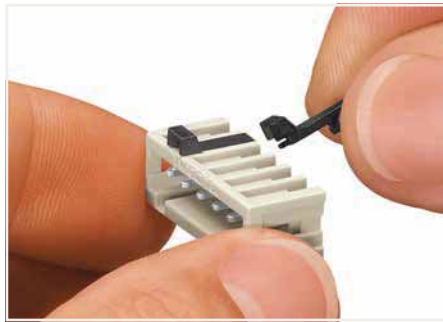
		Pin Spacing	Page
	MCS MINI		
	1-Conductor Female Connectors ▶ Actuation type: Operating tool ▶ CAGE CLAMP®	3.5 mm 3.81 mm	348 378
	MCS MINI		
	1-Conductor Female Connectors ▶ Actuation type: Push-button ▶ CAGE CLAMP®	3.5 mm 3.81 mm	352 382
	MCS MINI		
	1-Conductor Male Connectors ▶ Actuation type: Operating tool ▶ CAGE CLAMP®	3.5 mm 3.81 mm	356 386
	MCS MINI		
	2-Conductor Combi Strips ▶ Actuation type: Operating tool ▶ CAGE CLAMP®	3.5 mm	360
	MCS MINI		
	THT Female Headers	3.5 mm 3.81 mm	364 390
	MCS MINI		
	THT Male Headers	3.5 mm	368
		3.81 mm	394
	THR Male Headers	3.5 mm 3.81 mm	374 398
	MCS MINI Accessories		406
	Accessories and Tools		829

# MCS MINI

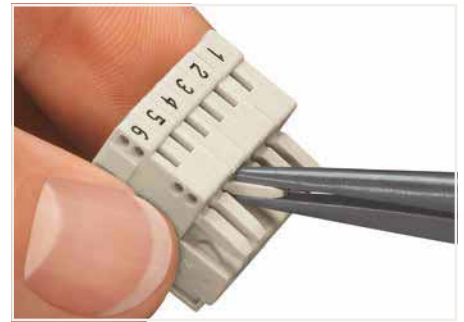
## Description and Installation



Coding a THT double-deck male header – lower level.

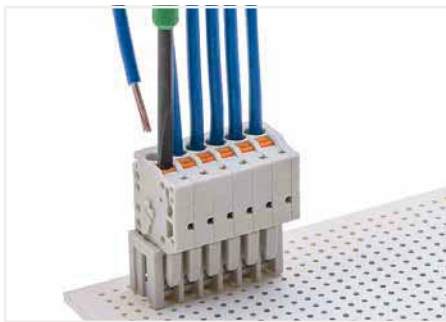


Coding a male header – fitting coding key(s).

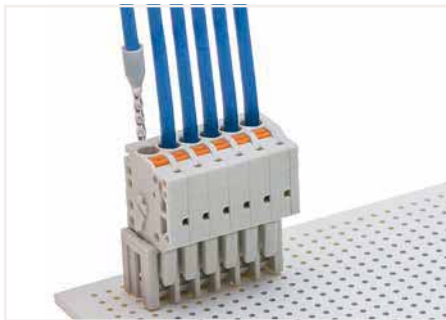


Coding a female connector – removing coding finger(s).

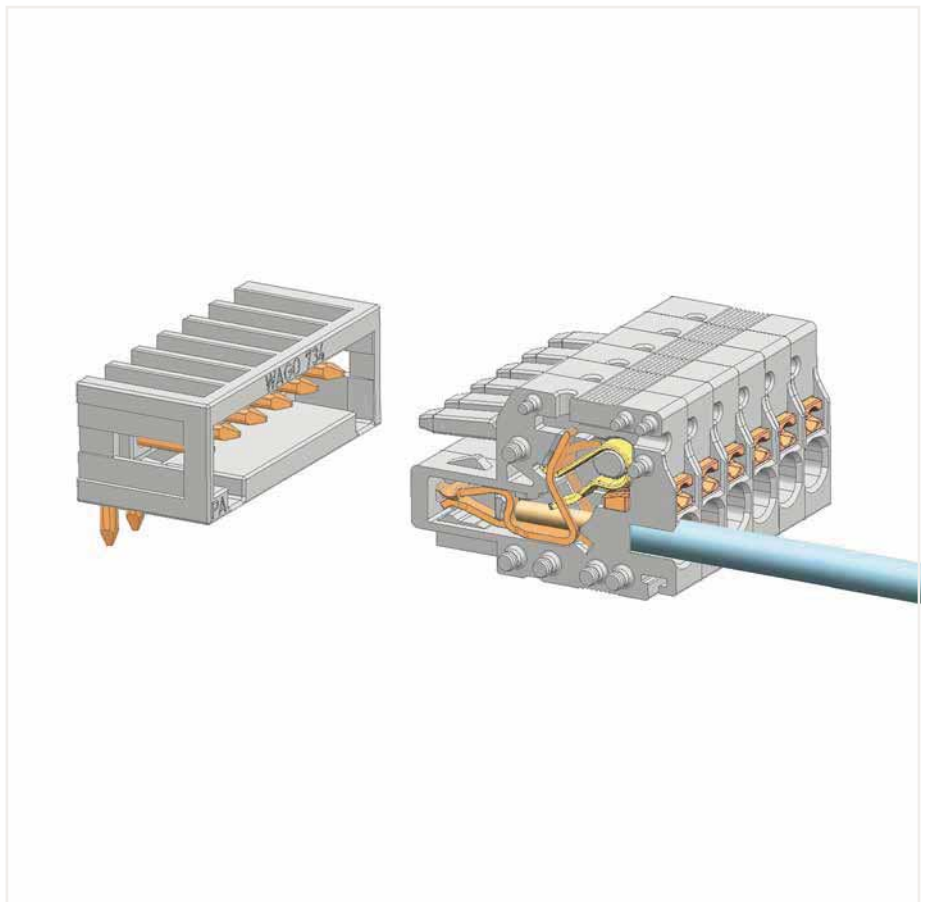
5



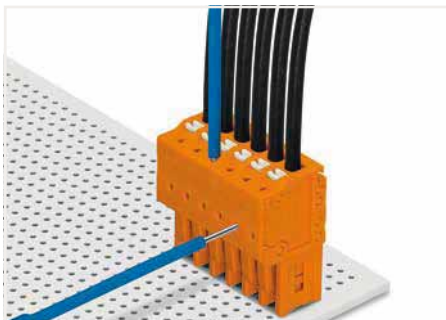
Inserting a fine stranded conductor into Push-in CAGE CLAMP® unit via push-button.



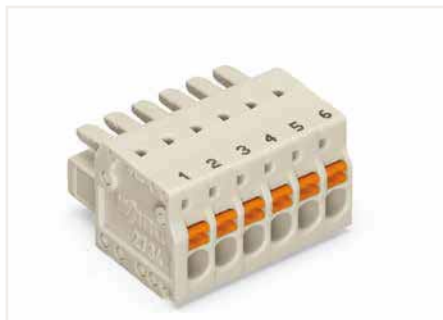
Solid and ferruled conductors are terminated by simply pushing them into unit.



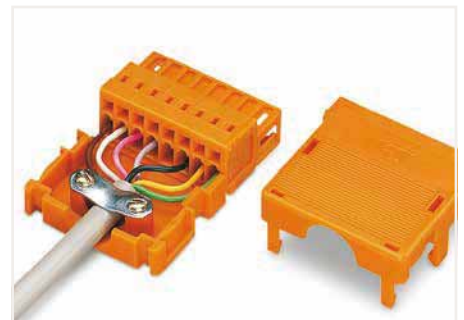
Pin spacing: 3.5 mm and 3.81 mm, Push-in CAGE CLAMP®



Testing via 1 mm Ø test pin (735-500). Push-in CAGE CLAMP® termination – parallel to conductor entry



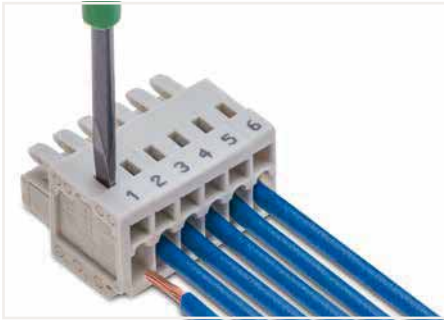
Labeling via direct marking or self-adhesive strips.



Strain relief housing for 734 Series Male and Female Connectors with CAGE CLAMP® connection.

# MCS MINI

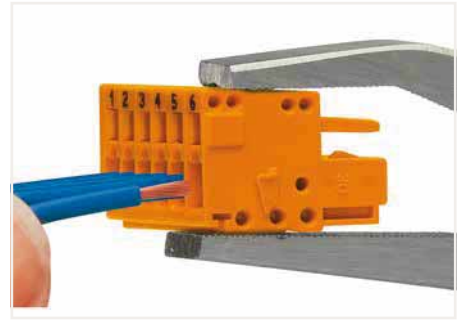
## Description and Installation



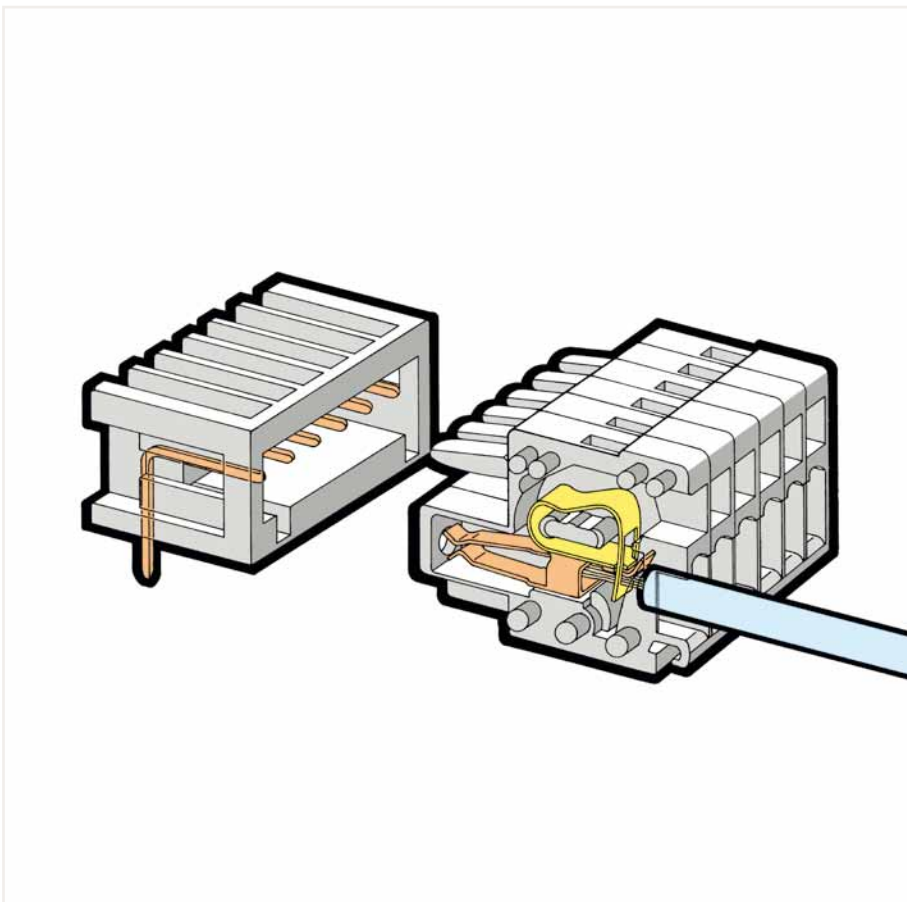
Inserting a conductor via (2.5 x 0.4) mm screwdriver – CAGE CLAMP® actuation perpendicular to conductor entry.



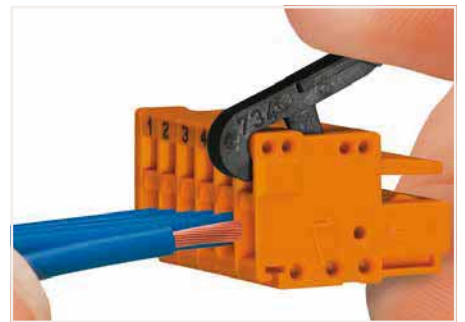
Inserting a conductor via (2.5 x 0.4) mm screwdriver – CAGE CLAMP® actuation parallel to conductor entry.



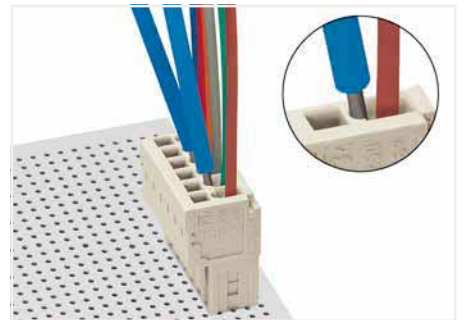
Inserting a conductor into CAGE CLAMP® unit via operating tool (210-251 or 210-250).



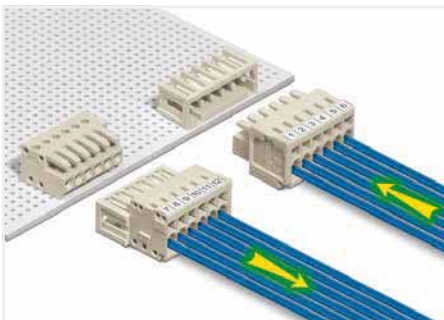
Pin spacing: 3.5 mm and 3.81 mm, CAGE CLAMP®



Inserting a conductor into CAGE CLAMP® unit via operating lever (734-191).



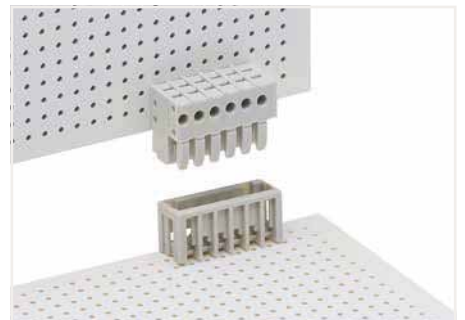
Testing via 1 mm Ø test pin (735-500) – CAGE CLAMP® connection – touch contact.



Easy-to-identify PCB inputs and outputs



Wire-to-wire connection of single conductors

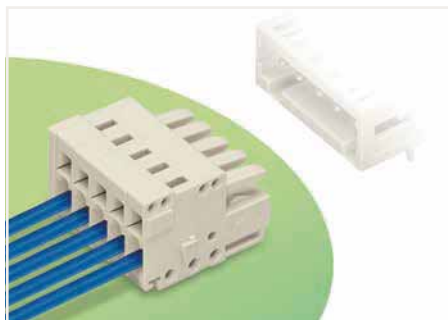


Board-to-board connection – male header with straight solder pins and female header with angled solder pins

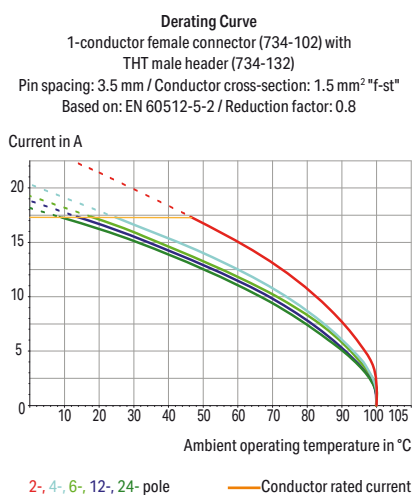
5

## 1-Conductor Female Connector ▶ MCS MINI ▶ 734 Series

Pin spacing: 3.5 mm (0.138 inch) ▶ Actuation type: Operating tool ▶ CAGE CLAMP® ▶ Color: light gray



- Universal connection for all conductor types
- Easy cable pre-assembly and on-unit wiring via vertical and horizontal CAGE CLAMP® actuation
- Strain relief plates and housings for field assembly
- 100 % protected against mismatching
- Coding via coding fingers



### Electrical Data

Ratings per	IEC/EN 60664-1		
Overvoltage category	III	III	II
Pollution degree	3	2	2
Rated voltage	160 V	160 V	320 V
Rated impulse voltage	2.5 kV	2.5 kV	2.5 kV
Rated current	10 A	10 A	10 A
Approvals per	UL 1059		
Use Group	B	C	D
Rated voltage	300 V	-	300 V
Rated current	10 A	-	10 A
Approvals per	CSA		
Use Group	B	C	D
Rated voltage	300 V	-	300 V
Rated current	10 A	-	10 A

### Connection Data

Connection technology	CAGE CLAMP®
Solid conductor	0.08 ... 1.5 mm <sup>2</sup> / 28 ... 14 AWG
Fine-stranded conductor	0.08 ... 1.5 mm <sup>2</sup> / 28 ... 14 AWG
Fine-stranded conductor with ferrule with plastic collar	0.25 ... 1.5 mm <sup>2</sup>
Fine-stranded conductor with ferrule without plastic collar	0.25 ... 1.5 mm <sup>2</sup>
Note (conductor cross-section)	Terminating 1.5 mm <sup>2</sup> conductors is possible; however insulation diameter does not allow clamping units to be terminated in a row.

### Material Data

Material group	I
Insulating material	Polyamide 66 (PA 66)
Flammability class per UL94	V0
Clamping spring material	Chrome nickel spring steel (CrNi)
Contact material	Copper alloy
Contact plating	Tin-plated

### Environmental Requirements

Limit temperature range	-60 ... +100 °C
-------------------------	-----------------

The MULTI CONNECTION SYSTEM (MCS) is designed without breaking capacity for compliance with DIN EN 61984. When used as intended, MCS Connectors shall not be connected/disconnected when live or under load. The circuit design should ensure header pins, which can be touched, are not live when unmated.

Ferrule	Page 847
Insulation stop	Page 407
Marking	Page 832
Mounting	Page 542
Strain relief	Page 409, 410
Testing and measuring	Page 854
Tools	Page 406, 410
Direct marking	Page 402
Additional information, see "Technical Section"	
Approvals and corresponding ratings, visit <a href="http://www.wago.com">www.wago.com</a>	

## 1-Conductor Female Connector ▶ MCS MINI ▶ 734 Series

Pin spacing: 3.5 mm (0.138 inch) ▶ Actuation type: Operating tool ▶ CAGE CLAMP® ▶ Color: light gray

Locking of plug-in connection: locking lever

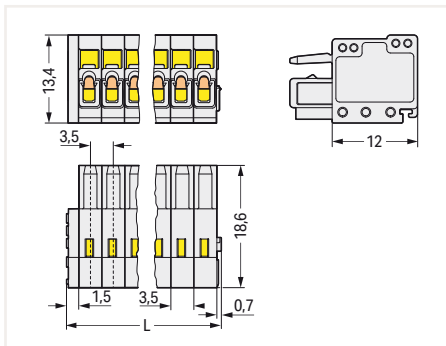
Locking of plug-in connection: Screw flange



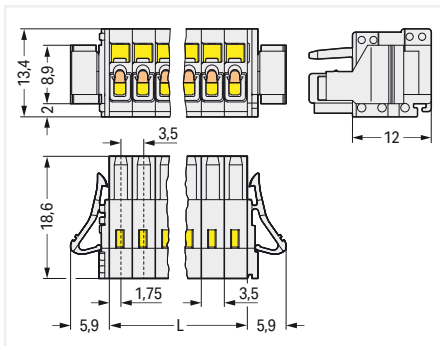
Pole No.	Item No.	PU
2	734-102	200
3	734-103	200
4	734-104	100
5	734-105	100
6	734-106	100
7	734-107	100
8	734-108	50
9	734-109	50
10	734-110	50
11	734-111	50
12	734-112	50
13	734-113	50
14	734-114	50
16	734-116	25
18	734-118	25
20	734-120	25
24	734-124	25

Pole No.	Item No.	PU
2	734-102/037-000	100
3	734-103/037-000	100
4	734-104/037-000	100
5	734-105/037-000	50
6	734-106/037-000	50
7	734-107/037-000	50
8	734-108/037-000	50
9	734-109/037-000	50
10	734-110/037-000	50
11	734-111/037-000	50
12	734-112/037-000	50
13	734-113/037-000	25
14	734-114/037-000	25
16	734-116/037-000	25
18	734-118/037-000	25
20	734-120/037-000	25
24	734-124/037-000	10

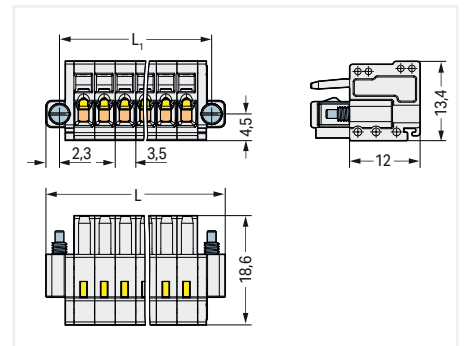
Pole No.	Item No.	PU
2	734-102/107-000	100
3	734-103/107-000	100
4	734-104/107-000	100
5	734-105/107-000	50
6	734-106/107-000	50
7	734-107/107-000	50
8	734-108/107-000	50
9	734-109/107-000	50
10	734-110/107-000	50
11	734-111/107-000	50
12	734-112/107-000	50
13	734-113/107-000	25
14	734-114/107-000	25
16	734-116/107-000	25
18	734-118/107-000	25
20	734-120/107-000	25
24	734-124/107-000	10



$L = (\text{pole no.} \times \text{pin spacing}) + 2.2 \text{ mm}$



$L = \text{pole no.} \times \text{pin spacing}$



$L = (\text{pole no.} \times \text{pin spacing}) + 9.5 \text{ mm}$   
 $L_1 = (\text{pole no.} \times \text{pin spacing}) + 4.9 \text{ mm}$

PU = Packaging Unit; SPU = Subpackaging Unit; Dimensions in mm

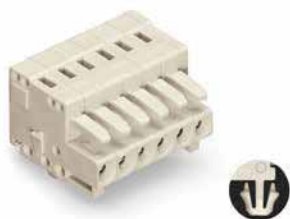
Other variants can be requested via the WAGO sales department or, if necessary, configured at <https://configurator.wago.com/>:

- Other pole numbers
- Gold-plated or partially gold-plated contact surfaces

**1-Conductor Female Connector ▶ MCS MINI ▶ 734 Series**

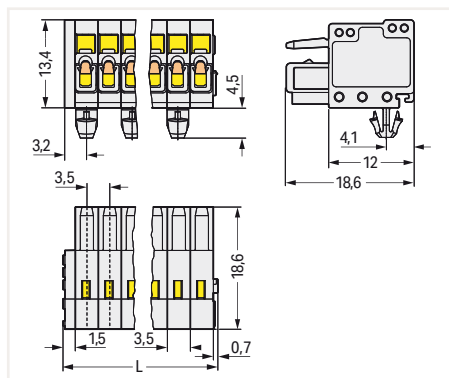
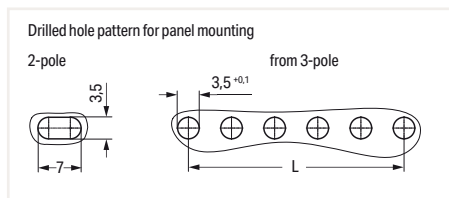
Pin spacing: 3.5 mm (0.138 inch) ▶ Actuation type: Operating tool ▶ CAGE CLAMP® ▶ Color: light gray

Type of mounting: Panel mounting ▶ Mounting type: Snap-in mounting foot



Using two DIN-35 rail mounting adapters (209-137) for 3 or more poles. Distance between two mounting adapters: maximum 7 poles.

Pole No.	Item No.	PU
2	734-102/008-000	200
3	734-103/008-000	200
4	734-104/008-000	100
5	734-105/008-000	100
6	734-106/008-000	100
7	734-107/008-000	50
8	734-108/008-000	50
9	734-109/008-000	50
10	734-110/008-000	50
11	734-111/008-000	50
12	734-112/008-000	50
13	734-113/008-000	50
14	734-114/008-000	50
16	734-116/008-000	25
18	734-118/008-000	25
20	734-120/008-000	25
24	734-124/008-000	25

 $L = (\text{pole no.} \times \text{pin spacing}) + 2.2 \text{ mm}$ Even pole numbers:  $L = (\text{pole no.} - 2) \times \text{pin spacing}$   
Odd pole numbers:  $L = (\text{pole no.} - 1) \times \text{pin spacing}$ 

PU = Packaging Unit; SPU = Subpackaging Unit; Dimensions in mm

Other variants can be requested via the WAGO sales department or, if necessary, configured at <https://configurator.wago.com/>:

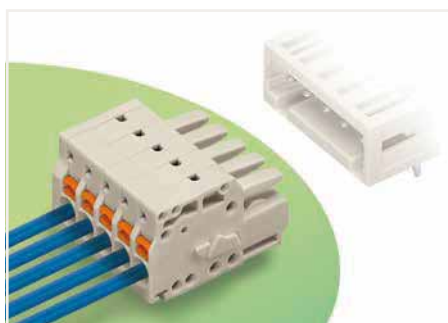
- Other pole numbers
- Gold-plated or partially gold-plated contact surfaces



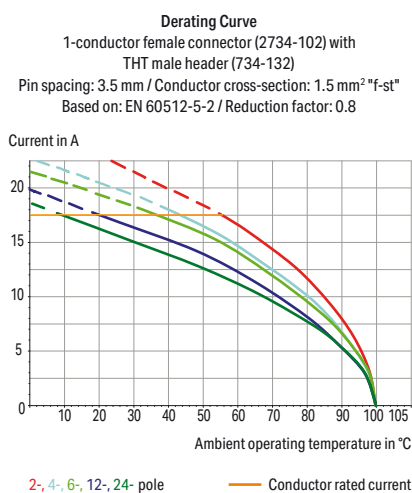


## 1-Conductor Female Connector ▶ MCS MINI ▶ 2734 Series

Pin spacing: 3.5 mm (0.138 inch) ▶ Actuation type: Push-button ▶ Push-in CAGE CLAMP® ▶ Color: light gray



- Universal connection for all conductor types
- Easy-to-use design does not require specialty tools
- Ability to wire while mated
- Simple, push-in termination of solid and ferruled conductors
- Integrated test ports for testing parallel to the conductor entry
- 100 % protected against mismatching
- Coding via coding fingers



### Electrical Data

Ratings per	IEC/EN 60664-1		
Overvoltage category	III	III	II
Pollution degree	3	2	2
Rated voltage	160 V	160 V	320 V
Rated impulse voltage	2.5 kV	2.5 kV	2.5 kV
Rated current	10 A	10 A	10 A
Approvals per	UL 1059		
Use Group	B	C	D
Rated voltage	300 V	-	300 V
Rated current	10 A	-	10 A
Approvals per	CSA		
Use Group	B	C	D
Rated voltage	300 V	-	300 V
Rated current	10 A	-	10 A

### Connection Data

Connection technology	Push-in CAGE CLAMP®
Strip length	8 ... 9 mm / 0.31 ... 0.35 inch
Solid conductor	0.2 ... 1.5 mm <sup>2</sup> / 24 ... 16 AWG
Fine-stranded conductor	0.2 ... 1.5 mm <sup>2</sup> / 24 ... 16 AWG
Fine-stranded conductor with ferrule with plastic collar	0.25 ... 0.75 mm <sup>2</sup>
Fine-stranded conductor with ferrule without plastic collar	0.25 ... 1.5 mm <sup>2</sup>

### Material Data

Material group	I
Insulating material	Polyamide 66 (PA 66)
Flammability class per UL94	V0
Clamping spring material	Chrome nickel spring steel (CrNi)
Contact material	Copper alloy
Contact plating	Tin-plated

### Environmental Requirements

Limit temperature range	-60 ... +100 °C
-------------------------	-----------------

The *MULTI CONNECTION SYSTEM (MCS)* is designed without breaking capacity for compliance with DIN EN 61984. When used as intended, MCS Connectors shall not be connected/disconnected when live or under load. The circuit design should ensure header pins, which can be touched, are not live when unmated.

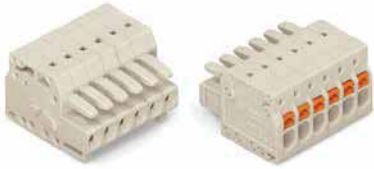
Ferrule	Page 847
Mounting	Page 537, 837
Strain relief	Page 409
Tools	Page 406, 838
Direct marking	Page 402
Cutout dimensions	Page 404
Additional information, see "Technical Section"	
Approvals and corresponding ratings, visit <a href="http://www.wago.com">www.wago.com</a>	

# 1-Conductor Female Connector ▶ MCS MINI ▶ 2734 Series

Pin spacing: 3.5 mm (0.138 inch) ▶ Actuation type: Push-button ▶ Push-in CAGE CLAMP® ▶ Color: light gray

Locking of plug-in connection: locking lever

Locking of plug-in connection: Screw flange

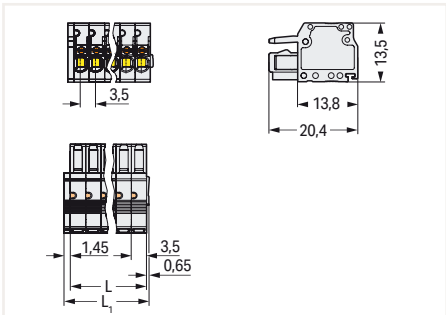


Pole No.	Item No.	PU
2	2734-102	200
3	2734-103	200
4	2734-104	100
5	2734-105	100
6	2734-106	100
7	2734-107	100
8	2734-108	50
9	2734-109	50
10	2734-110	50
11	2734-111	50
12	2734-112	50
13	2734-113	50
14	2734-114	50
16	2734-116	25
18	2734-118	25
20	2734-120	25
24	2734-124	25

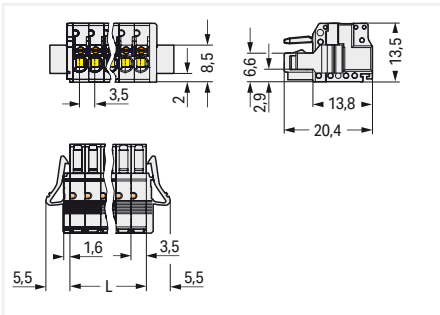
Pole No.	Item No.	PU
2	2734-102/037-000	100
3	2734-103/037-000	100
4	2734-104/037-000	100
5	2734-105/037-000	50
6	2734-106/037-000	50
7	2734-107/037-000	50
8	2734-108/037-000	50
9	2734-109/037-000	50
10	2734-110/037-000	50
11	2734-111/037-000	50
12	2734-112/037-000	50
13	2734-113/037-000	25
14	2734-114/037-000	25
16	2734-116/037-000	25
18	2734-118/037-000	25
20	2734-120/037-000	25
24	2734-124/037-000	10

Pole No.	Item No.	PU
2	2734-102/107-000	100
3	2734-103/107-000	100
4	2734-104/107-000	100
5	2734-105/107-000	50
6	2734-106/107-000	50
7	2734-107/107-000	50
8	2734-108/107-000	50
9	2734-109/107-000	50
10	2734-110/107-000	50
11	2734-111/107-000	50
12	2734-112/107-000	50
13	2734-113/107-000	25
14	2734-114/107-000	25
16	2734-116/107-000	25
18	2734-118/107-000	25
20	2734-120/107-000	25
24	2734-124/107-000	10

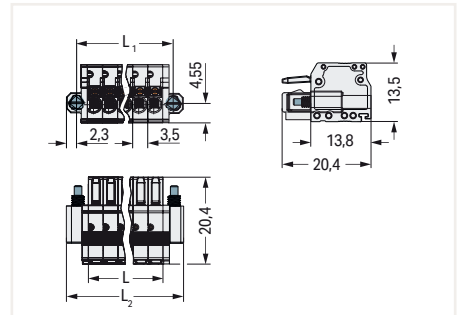
5



L = pole no. x pin spacing  
 $L_1 = (\text{pole no.} \times \text{pin spacing}) + 2.1 \text{ mm}$



L = pole no. x pin spacing



L = pole no. x pin spacing  
 $L_1 = (\text{pole no.} \times \text{pin spacing}) + 4.9 \text{ mm}$   
 $L_2 = (\text{pole no.} \times \text{pin spacing}) + 9.5 \text{ mm}$

PU = Packaging Unit; SPU = Subpackaging Unit; Dimensions in mm

Other variants can be requested via the WAGO sales department or, if necessary, configured at <https://configurator.wago.com/>:

- Other pole numbers
- Gold-plated or partially gold-plated contact surfaces

# 1-Conductor Female Connector ▶ MCS MINI ▶ 2734 Series

Pin spacing: 3.5 mm (0.138 inch) ▶ Actuation type: Push-button ▶ Push-in CAGE CLAMP® ▶ Color: light gray

Type of mounting: Feed-through mounting, Panel mounting ▶ Mounting type: Mounting flange

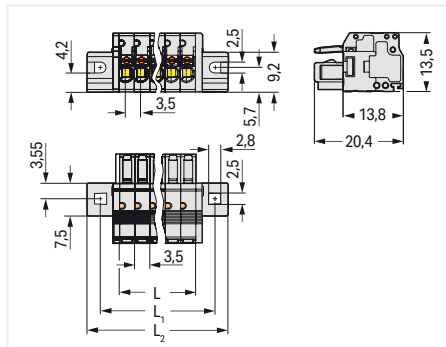
Type of mounting: Feed-through mounting, Panel mounting ▶ Mounting type: Mounting flange ▶ with reinforcing strip



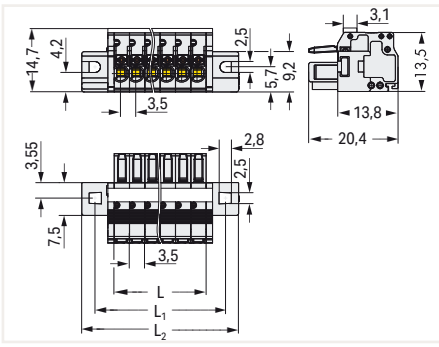
Pole No.	Item No.	PU
2	2734-102/031-000	100
3	2734-103/031-000	100
4	2734-104/031-000	50
5	2734-105/031-000	50
6	2734-106/031-000	50
7	2734-107/031-000	50
8	2734-108/031-000	50
9	2734-109/031-000	50
12	2734-112/031-000	25

Pole No.	Item No.	PU
10	2734-110/027-000	50
11	2734-111/027-000	25
12	2734-112/027-000	25
13	2734-113/027-000	25
14	2734-114/027-000	25
16	2734-116/027-000	25
18	2734-118/027-000	25
20	2734-120/027-000	25
24	2734-124/027-000	10

5



L = pole no. x pin spacing  
 L<sub>1</sub> = (pole no. x pin spacing) + 8.8 mm  
 L<sub>2</sub> = (pole no. x pin spacing) + 14.8 mm



L = pole no. x pin spacing  
 L<sub>1</sub> = (pole no. x pin spacing) + 8.8 mm  
 L<sub>2</sub> = (pole no. x pin spacing) + 14.8 mm

PU = Packaging Unit; SPU = Subpackaging Unit; Dimensions in mm

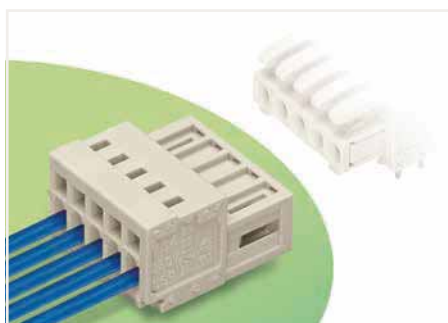
Other variants can be requested via the WAGO sales department or, if necessary, configured at <https://configurator.wago.com/>:

- Other pole numbers
- Gold-plated or partially gold-plated contact surfaces

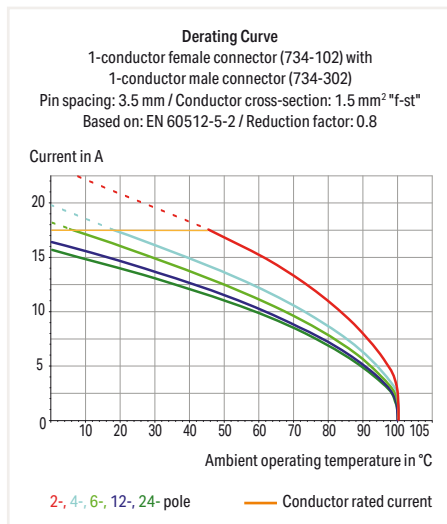


## 1-Conductor Male Connector ▶ MCS MINI ▶ 734 Series

Pin spacing: 3.5 mm (0.138 inch) ▶ Actuation type: Operating tool ▶ CAGE CLAMP® ▶ Color: light gray



- Universal connection for all conductor types
- Easy cable pre-assembly and on-unit wiring via vertical and horizontal CAGE CLAMP® actuation
- For wire-to-wire and board-to-wire connections
- Strain relief plates and housings for factory and field assembly
- 100 % protected against mismatching
- Coding via coding fingers



### Electrical Data

Ratings per	IEC/EN 60664-1		
Overvoltage category	III	III	II
Pollution degree	3	2	2
Rated voltage	160 V	160 V	320 V
Rated impulse voltage	2.5 kV	2.5 kV	2.5 kV
Rated current	10 A	10 A	10 A
Approvals per	UL 1059		
Use Group	B	C	D
Rated voltage	300 V	-	300 V
Rated current	10 A	-	10 A
Approvals per	CSA		
Use Group	B	C	D
Rated voltage	300 V	-	300 V
Rated current	10 A	-	10 A

### Connection Data

Connection technology	CAGE CLAMP®
Strip length	6 ... 7 mm / 0.24 ... 0.28 inch
Solid conductor	0.08 ... 1.5 mm <sup>2</sup> / 28 ... 14 AWG
Fine-stranded conductor	0.08 ... 1.5 mm <sup>2</sup> / 28 ... 14 AWG
Fine-stranded conductor with ferrule with plastic collar	0.25 ... 1.5 mm <sup>2</sup>
Fine-stranded conductor with ferrule without plastic collar	0.25 ... 1.5 mm <sup>2</sup>
Note (conductor cross-section)	Terminating 1.5 mm <sup>2</sup> conductors is possible; however insulation diameter does not allow clamping units to be terminated in a row.

### Material Data

Material group	I
Insulating material	Polyamide 66 (PA 66)
Flammability class per UL94	V0
Clamping spring material	Chrome nickel spring steel (CrNi)
Contact material	Electrolytic copper (Ecu)
Contact plating	Tin-plated

### Environmental Requirements

Limit temperature range	-60 ... +100 °C
-------------------------	-----------------

The *MULTI CONNECTION SYSTEM (MCS)* is designed without breaking capacity for compliance with DIN EN 61984. When used as intended, MCS Connectors shall not be connected/disconnected when live or under load. The circuit design should ensure header pins, which can be touched, are not live when unmated.

Coding	Page 408
Cover	Page 407
Ferrule	Page 847
Marking	Page 832
Mounting	Page 537, 837
Strain relief	Page 409
Testing and measuring	Page 854
Tools	Page 406, 838
Direct marking	Page 402
Cutout dimensions	Page 404
Additional information, see "Technical Section"	
Approvals and corresponding ratings, visit <a href="http://www.wago.com">www.wago.com</a>	

# 1-Conductor Male Connector ▶ MCS MINI ▶ 734 Series

Pin spacing: 3.5 mm (0.138 inch) ▶ Actuation type: Operating tool ▶ CAGE CLAMP® ▶ Color: light gray

Locking of plug-in connection: Threaded flange

Type of mounting: Feed-through mounting, Panel mounting ▶ Mounting type: Mounting flange

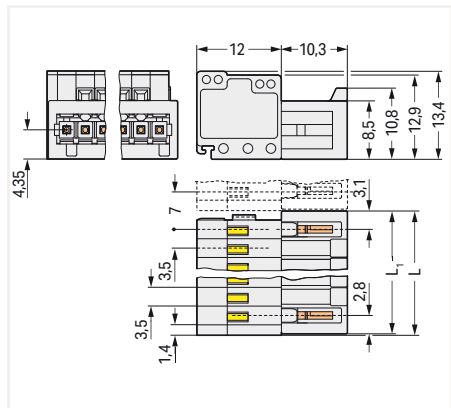


Pole No.	Item No.	PU
2	734-302	200
3	734-303	200
4	734-304	100
5	734-305	100
6	734-306	100
7	734-307	100
8	734-308	50
9	734-309	50
10	734-310	50
11	734-311	50
12	734-312	50
13	734-313	50
14	734-314	50
16	734-316	25
18	734-318	25
20	734-320	25
24	734-324	10

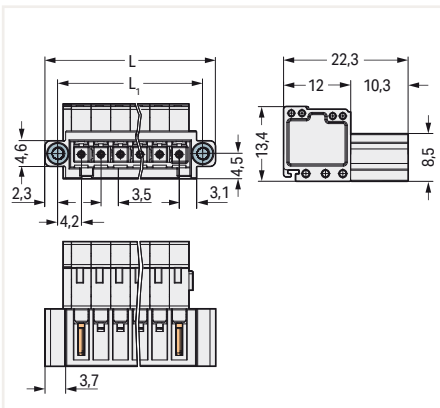
Pole No.	Item No.	PU
2	734-302/109-000	100
3	734-303/109-000	100
4	734-304/109-000	100
5	734-305/109-000	50
6	734-306/109-000	50
7	734-307/109-000	50
8	734-308/109-000	50
9	734-309/109-000	50
10	734-310/109-000	50
11	734-311/109-000	50
12	734-312/109-000	50
13	734-314/109-000	25
13	734-313/109-000	25
16	734-316/109-000	25
18	734-318/109-000	25
20	734-320/109-000	25
24	734-324/109-000	10

Pole No.	Item No.	PU
2	734-302/019-000	100
3	734-303/019-000	100
4	734-304/019-000	50
5	734-305/019-000	50
6	734-306/019-000	50
7	734-307/019-000	50
8	734-308/019-000	50
9	734-309/019-000	50
10	734-310/019-000	50
11	734-311/019-000	25
12	734-312/019-000	25
13	734-313/019-000	25
14	734-314/019-000	25
16	734-316/019-000	25
18	734-318/019-000	25
20	734-320/019-000	25
24	734-324/019-000	10

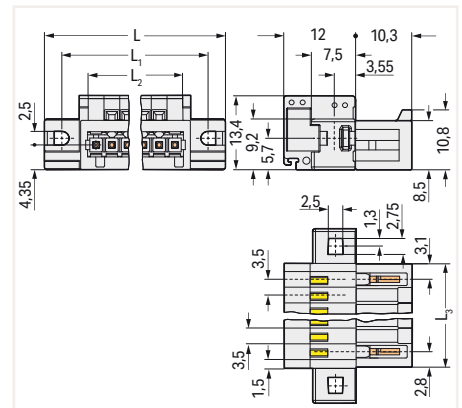
5



L = (pole no. - 1) x pin spacing + 5.9 mm + 0.45 mm  
L<sub>1</sub> = L - 0.45 mm



L = (pole no. x pin spacing) + 9.5 mm  
L<sub>1</sub> = (pole no. x pin spacing) + 4.9 mm



L = pole no. x pin spacing + 14.8 mm  
L<sub>1</sub> = pole no. x pin spacing + 8.8 mm  
L<sub>2</sub> = pole no. x pin spacing  
L<sub>3</sub> = (pole no. - 1) x pin spacing + 5.9 mm

PU = Packaging Unit; SPU = Subpackaging Unit; Dimensions in mm

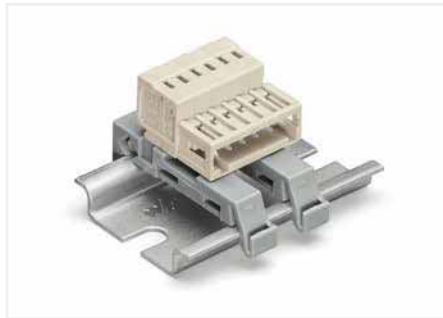
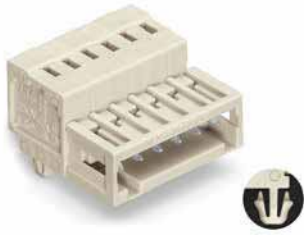
Other variants can be requested via the WAGO sales department or, if necessary, configured at <https://configurator.wago.com/>:

- Other pole numbers
- Gold-plated or partially gold-plated contact surfaces

# 1-Conductor Male Connector ▶ MCS MINI ▶ 734 Series

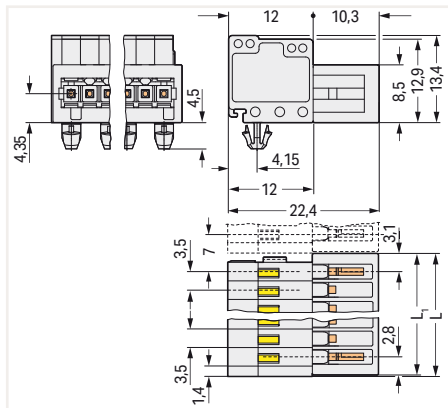
Pin spacing: 3.5 mm (0.138 inch) ▶ Actuation type: Operating tool ▶ CAGE CLAMP® ▶ Color: light gray

Type of mounting: Panel mounting ▶ Mounting type: Snap-in mounting foot

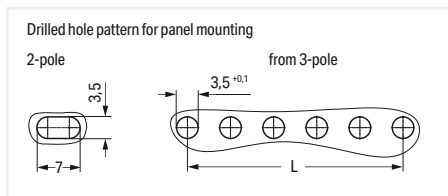


Using two DIN-35 rail mounting adapters (209-137) for 3 or more poles. Distance between two mounting adapters: maximum 7 poles.

Pole No.	Item No.	PU
2	734-302/018-000	200
3	734-303/018-000	100
4	734-304/018-000	100
5	734-305/018-000	100
6	734-306/018-000	100
7	734-307/018-000	100
8	734-308/018-000	50
9	734-309/018-000	50
10	734-310/018-000	50
11	734-311/018-000	50
12	734-312/018-000	50
13	734-313/018-000	50
14	734-314/018-000	50
16	734-316/018-000	25
18	734-318/018-000	25
20	734-320/018-000	25
24	734-324/018-000	10



$L = (\text{pole no.} - 1) \times \text{pin spacing} + 5.9 \text{ mm} + 0.45 \text{ mm}$   
 $L_1 = L - 0.45 \text{ mm}$



Even pole numbers:  $L = (\text{pole no.} - 2) \times \text{pin spacing}$   
 Odd pole numbers:  $L = (\text{pole no.} - 1) \times \text{pin spacing}$

PU = Packaging Unit; SPU = Subpackaging Unit; Dimensions in mm

Other variants can be requested via the WAGO sales department or, if necessary, configured at <https://configurator.wago.com/>:

- Other pole numbers
- Gold-plated or partially gold-plated contact surfaces

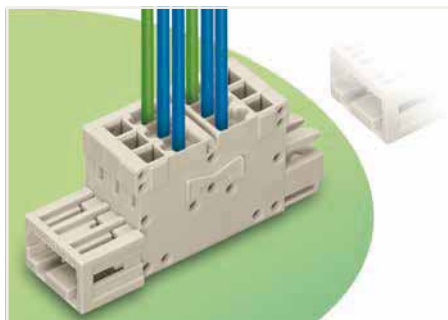
5





## 2-Conductor Combi Strip ▶ MCS MINI ▶ 734 Series

Pin spacing: 3.5 mm (0.138 inch) ▶ Actuation type: Operating tool ▶ CAGE CLAMP® ▶ Color: light gray



- Universal connection for all conductor types
- 2-conductor strips combine pin and socket connections
- Multiply potentials
- Strain relief plates for factory and field assembly
- Supply via pin-contact side
- Combi strips may be connected to multiply outputs
- 100 % protected against mismatching
- Coding via coding fingers

### Electrical Data

Ratings per	IEC/EN 60664-1		
Overvoltage category	III	III	II
Pollution degree	3	2	2
Rated voltage	160 V	160 V	320 V
Rated impulse voltage	2.5 kV	2.5 kV	2.5 kV
Rated current	10 A	10 A	10 A
Approvals per	UL 1059		
Use Group	B	C	D
Rated voltage	300 V	-	300 V
Rated current	10 A	-	10 A
Approvals per	CSA		
Use Group	B	C	D
Rated voltage	300 V	-	300 V
Rated current	10 A	-	10 A

### Connection Data

Connection technology	CAGE CLAMP®
Strip length	6 ... 7 mm / 0.24 ... 0.28 inch
Solid conductor	0.08 ... 1.5 mm <sup>2</sup> / 28 ... 14 AWG
Fine-stranded conductor	0.08 ... 1.5 mm <sup>2</sup> / 28 ... 14 AWG
Fine-stranded conductor with ferrule with plastic collar	0.25 ... 1.5 mm <sup>2</sup>
Fine-stranded conductor with ferrule without plastic collar	0.25 ... 1.5 mm <sup>2</sup>
Note (conductor cross-section)	Terminating 1.5 mm <sup>2</sup> conductors is possible; however insulation diameter does not allow clamping units to be terminated in a row.

### Material Data

Material group	I
Insulating material	Polyamide 66 (PA 66)
Flammability class per UL94	V0
Clamping spring material	Chrome nickel spring steel (CrNi)
Contact material	Copper alloy
Contact plating	Tin-plated

### Environmental Requirements

Limit temperature range	-60 ... +100 °C
-------------------------	-----------------

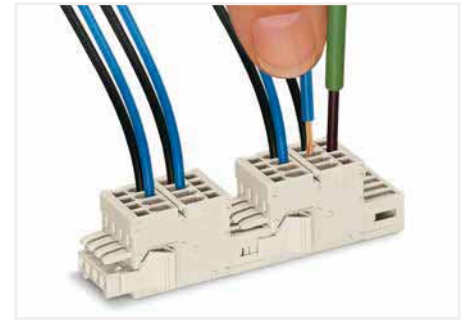
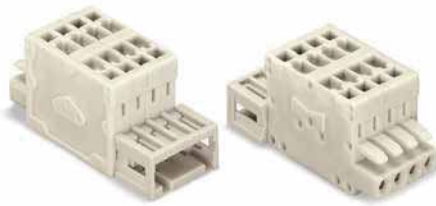
The *MULTI CONNECTION SYSTEM (MCS)* is designed without breaking capacity for compliance with DIN EN 61984. When used as intended, MCS Connectors shall not be connected/disconnected when live or under load. The circuit design should ensure header pins, which can be touched, are not live when unmated.

Coding	Page 408
Cover	Page 407
Ferrule	Page 847
Marking	Page 832
Mounting	Page 542
Strain relief	Page 409
Testing and measuring	Page 854
Direct marking	Page 402
Additional information, see "Technical Section"	
Approvals and corresponding ratings, visit <a href="http://www.wago.com">www.wago.com</a>	

## 2-Conductor Combi Strip ▶ MCS MINI ▶ 734 Series

Pin spacing: 3.5 mm (0.138 inch) ▶ Actuation type: Operating tool ▶ CAGE CLAMP® ▶ Color: light gray

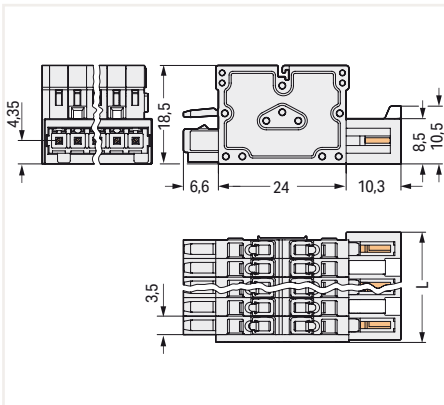
Locking of plug-in connection: locking lever



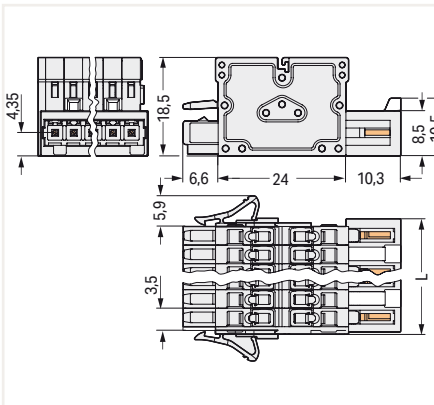
2-conductor combi strips with locking levers for multiplying potentials

Pole No.	Item No.	PU
2	734-362	100
3	734-363	50
4	734-364	50
5	734-365	50
6	734-366	50
7	734-367	25
8	734-368	25
9	734-369	25
10	734-370	25
11	734-371	25
12	734-372	25

Pole No.	Item No.	PU
2	734-362/037-000	50
3	734-363/037-000	50
4	734-364/037-000	50
5	734-365/037-000	50
6	734-366/037-000	25
7	734-367/037-000	25
8	734-368/037-000	25
9	734-369/037-000	25
10	734-370/037-000	25
11	734-371/037-000	25
12	734-372/037-000	25



$L = (\text{pole no.} - 1) \times \text{pin spacing} + 5.9 \text{ mm} + 0.45 \text{ mm}$



$L = (\text{pole no.} - 1) \times \text{pin spacing} + 5.9 \text{ mm} + 0.45 \text{ mm}$

PU = Packaging Unit; SPU = Subpackaging Unit; Dimensions in mm

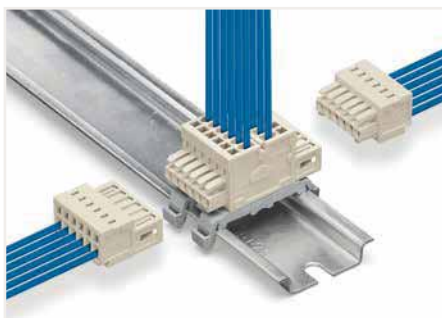
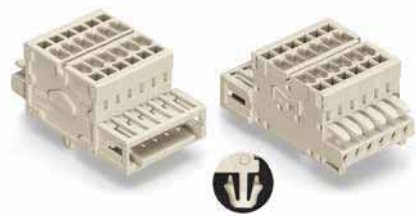
Other variants can be requested via the WAGO sales department or, if necessary, configured at <https://configurator.wago.com/>:

- Other pole numbers

## 2-Conductor Combi Strip ▶ MCS MINI ▶ 734 Series

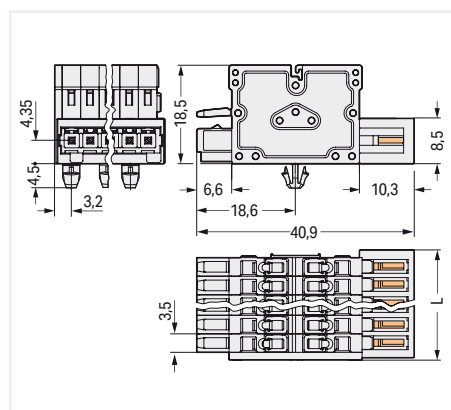
Pin spacing: 3.5 mm (0.138 inch) ▶ Actuation type: Operating tool ▶ CAGE CLAMP® ▶ Color: light gray

Type of mounting: Panel mounting ▶ Mounting type: Snap-in mounting foot

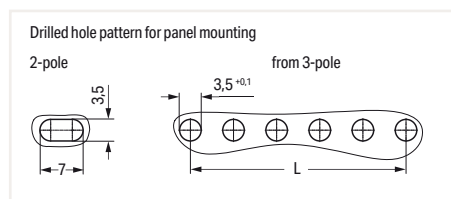


2-conductor combi strip with snap-in mounting feet using two DIN-35 rail mounting adapters (209-137) for 3 or more poles; distance between two mounting adapters: maximum 7 poles

Pole No.	Item No.	PU
2	734-362/008-000	100
3	734-363/008-000	50
4	734-364/008-000	50
5	734-365/008-000	50
6	734-366/008-000	50
7	734-367/008-000	50
8	734-368/008-000	50
9	734-369/008-000	25
10	734-370/008-000	25
11	734-371/008-000	25
12	734-372/008-000	25



$L = (\text{pole no.} - 1) \times \text{pin spacing} + 5.9 \text{ mm} + 0.45 \text{ mm}$



Even pole numbers:  $L = (\text{pole no.} - 2) \times \text{pin spacing}$   
 Odd pole numbers:  $L = (\text{pole no.} - 1) \times \text{pin spacing}$

PU = Packaging Unit; SPU = Subpackaging Unit; Dimensions in mm

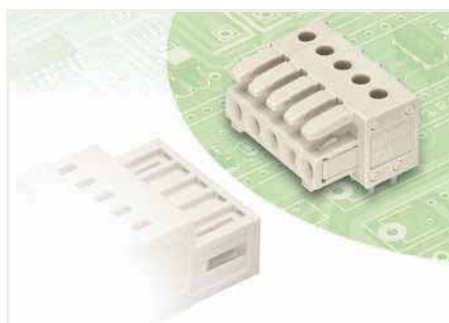
Other variants can be requested via the WAGO sales department or, if necessary, configured at <https://configurator.wago.com/>:

- Other pole numbers



**THT Female Header ▶ MCS MINI ▶ 734 Series**

Pin spacing: 3.5 mm (0.138 inch) ▶ Solder pin dimensions: 0.9 x 0.9 mm ▶ Color: light gray

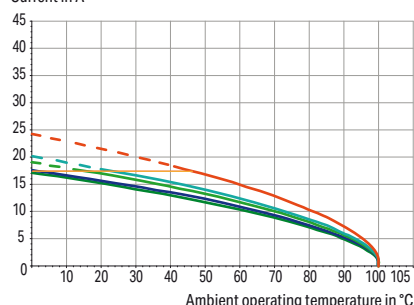


- Horizontal or vertical PCB mounting via straight or angled solder pins
- Integrated test ports for 2 mm Ø test plugs
- For board-to-board and board-to-wire connections
- Touch-proof PCB outputs
- Easy-to-identify inputs and outputs
- 100 % protected against mismatching
- Coding via coding fingers

**Derating Curve**THT female header (734-532) with  
1-conductor male connector (734-302)Pin spacing: 3.5 mm / Conductor cross-section: 1.5 mm<sup>2</sup> "f-st"

Based on: EN 60512-5-2 / Reduction factor: 0.8

Current in A

**Electrical Data**

Ratings per	IEC/EN 60664-1		
Overvoltage category	III	III	II
Pollution degree	3	2	2
Rated voltage	160 V	160 V	320 V
Rated impulse voltage	2.5 kV	2.5 kV	2.5 kV
Rated current	10 A	10 A	10 A
Approvals per			
Use Group	B	C	D
Rated voltage	300 V	-	300 V
Rated current	10 A	-	10 A

**Material Data**

Material group	I
Insulating material	Polyamide 66 (PA 66)
Flammability class per UL94	V0
Contact material	Copper alloy
Contact plating	Tin-plated

**Mechanical Data**

Solder pin arrangement	Over the entire female connector, in line
Solder pin length	3.8 mm
Solder pin dimensions	0.9 x 0.9 mm
Drilled hole diameter (tolerance)	1.4 <sup>(+0.1)</sup> mm

**Environmental Requirements**

Limit temperature range	-60 ... +100 °C
-------------------------	-----------------

The *MULTI CONNECTION SYSTEM (MCS)* is designed without breaking capacity for compliance with DIN EN 61984. When used as intended, MCS Connectors shall not be connected/disconnected when live or under load. The circuit design should ensure header pins, which can be touched, are not live when unmated.

Additional information, see "Technical Section"

Approvals and corresponding ratings,  
visit [www.wago.com](http://www.wago.com)

# THT Female Header ▶ MCS MINI ▶ 734 Series

Pin spacing: 3.5 mm (0.138 inch) ▶ Solder pin dimensions: 0.9 x 0.9 mm ▶ Color: light gray

Mating direction to the PCB: 0°

Mating direction to the PCB: 90°

Locking of plug-in connection: locking lever ▶ Mating direction to the PCB: 0°

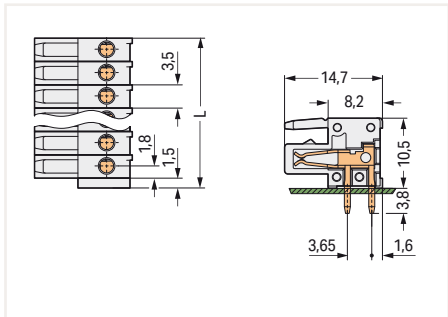


Pole No.	Item No.	PU
2	734-532	200
3	734-533	200
4	734-534	100
5	734-535	100
6	734-536	100
7	734-537	50
8	734-538	50
9	734-539	50
10	734-540	50
11	734-541	50
12	734-542	50
13	734-543	50
14	734-544	50
16	734-546	25
18	734-548	25
20	734-550	25
24	734-554	25

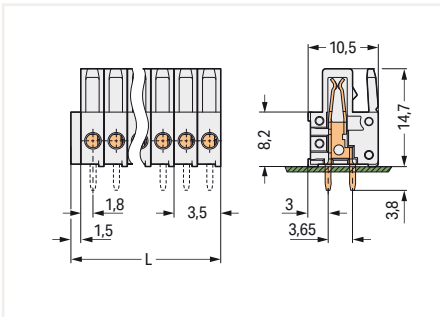
Pole No.	Item No.	PU
2	734-462	200
3	734-463	200
4	734-464	100
5	734-465	100
6	734-466	100
7	734-467	50
8	734-468	50
9	734-469	50
10	734-470	50
11	734-471	50
12	734-472	50
13	734-473	50
14	734-474	50
16	734-476	25
18	734-478	25
20	734-480	25
24	734-484	25

Pole No.	Item No.	PU
2	734-532/037-000	100
3	734-533/037-000	100
4	734-534/037-000	100
5	734-535/037-000	50
6	734-536/037-000	50
7	734-537/037-000	50
8	734-538/037-000	50
9	734-539/037-000	50
10	734-540/037-000	50
11	734-541/037-000	50
12	734-542/037-000	50
13	734-543/037-000	25
14	734-544/037-000	25
16	734-546/037-000	25
18	734-548/037-000	25
20	734-550/037-000	25
24	734-554/037-000	10

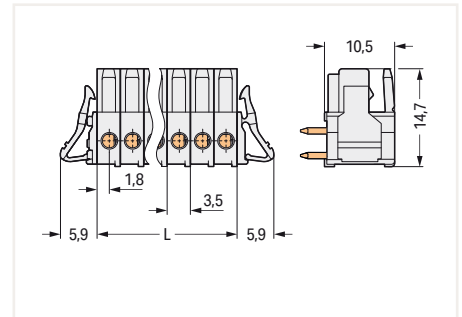
5



L = (pole no. x pin spacing) + 1.5 mm



L = (pole no. x pin spacing) + 1.5 mm



L = pole no. x pin spacing

PU = Packaging Unit; SPU = Subpackaging Unit; Dimensions in mm

Other variants can be requested via the WAGO sales department or, if necessary, configured at <https://configurator.wago.com/>:

- Other pole numbers
- Gold-plated or partially gold-plated contact surfaces

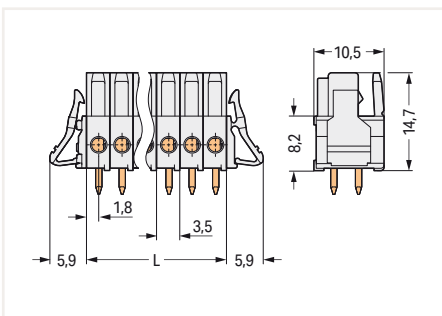
**THT Female Header ▶ MCS MINI ▶ 734 Series**

Pin spacing: 3.5 mm (0.138 inch) ▶ Solder pin dimensions: 0.9 x 0.9 mm ▶ Color: light gray

Locking of plug-in connection: locking lever ▶ Mating direction to the PCB: 90°



Pole No.	Item No.	PU
2	734-462/037-000	100
3	734-463/037-000	100
4	734-464/037-000	100
5	734-465/037-000	50
6	734-466/037-000	50
7	734-467/037-000	50
8	734-468/037-000	50
9	734-469/037-000	50
10	734-470/037-000	50
11	734-471/037-000	50
12	734-472/037-000	50
13	734-473/037-000	25
14	734-474/037-000	25
16	734-476/037-000	25
18	734-478/037-000	25
20	734-480/037-000	25
24	734-484/037-000	10



L = pole no. x pin spacing

PU = Packaging Unit; SPU = Subpackaging Unit; Dimensions in mm

Other variants can be requested via the WAGO sales department or, if necessary, configured at <https://configurator.wago.com/>:

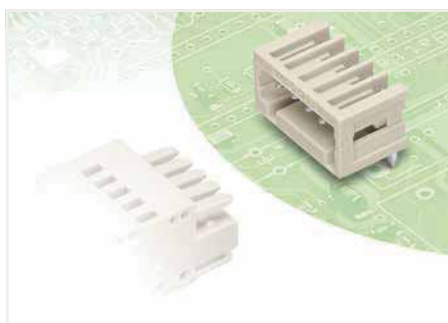
- Other pole numbers
- Gold-plated or partially gold-plated contact surfaces



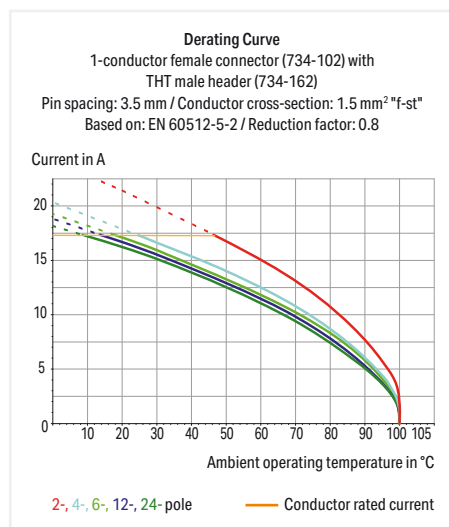


**THT Male Header ▶ MCS MINI ▶ 734 Series**

Pin spacing: 3.5 mm (0.138 inch) ▶ Solder pin dimensions: 1 x 1 mm ▶ Color: light gray



- Horizontal or vertical PCB mounting via straight or angled solder pins
- 100 % protected against mismatching; only mating halves with the same number of poles can be connected together
- Coding via coding fingers

**Electrical Data**

Ratings per	IEC/EN 60664-1		
Overvoltage category	III	III	II
Pollution degree	3	2	2
Rated voltage	160 V	160 V	320 V
Rated impulse voltage	2.5 kV	2.5 kV	2.5 kV
Rated current	10 A	10 A	10 A

Approvals per	UL 1059		
Use Group	B	C	D
Rated voltage	300 V	-	300 V
Rated current	10 A	-	10 A

Approvals per	CSA		
Use Group	B	C	D
Rated voltage	300 V	-	300 V
Rated current	10 A	-	10 A

**Material Data**

Material group	I
Insulating material	Polyamide 66 (PA 66)
Flammability class per UL94	V0
Contact material	Electrolytic copper (Ecu)
Contact plating	Tin-plated

**Mechanical Data**

Solder pin arrangement	Over the entire male connector, in line
Solder pin dimensions	1 x 1 mm
Drilled hole diameter (tolerance)	1.4 <sup>(+0.1)</sup> mm

**Environmental Requirements**

Limit temperature range	-60 ... +100 °C
-------------------------	-----------------

The *MULTI CONNECTION SYSTEM (MCS)* is designed without breaking capacity for compliance with DIN EN 61984. When used as intended, MCS Connectors shall not be connected/disconnected when live or under load. The circuit design should ensure header pins, which can be touched, are not live when unmated.

Coding Page 408

Additional information, see "Technical Section"

Approvals and corresponding ratings, visit [www.wago.com](http://www.wago.com)

# THT Male Header ▶ MCS MINI ▶ 734 Series

Pin spacing: 3.5 mm (0.138 inch) ▶ Solder pin dimensions: 1 x 1 mm ▶ Color: light gray

Mating direction to the PCB: 0°

Mating direction to the PCB: 90°

Double-deck ▶ Mating direction to the PCB: 0°

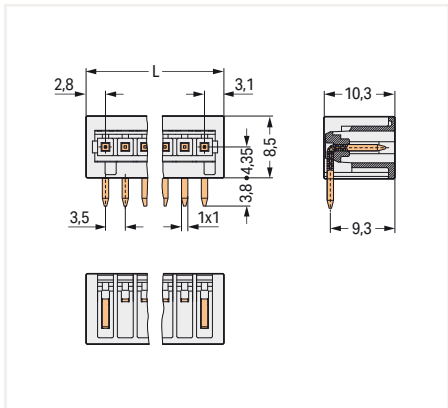


Pole No.	Item No.	PU
2	734-162	200
3	734-163	200
4	734-164	200
5	734-165	200
6	734-166	100
7	734-167	100
8	734-168	100
9	734-169	100
10	734-170	100
11	734-171	100
12	734-172	100
13	734-173	100
14	734-174	50
16	734-176	50
18	734-178	50
20	734-180	50
24	734-184	50

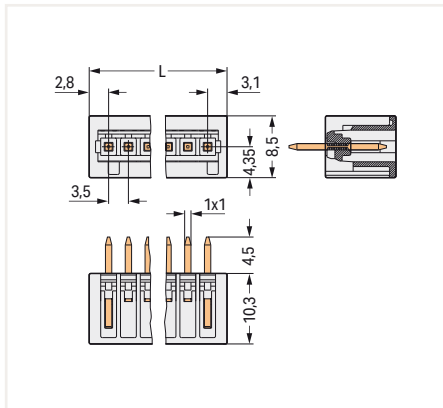
Pole No.	Item No.	PU
2	734-132	200
3	734-133	200
4	734-134	200
5	734-135	200
6	734-136	100
7	734-137	100
8	734-138	100
9	734-139	100
10	734-140	100
11	734-141	100
12	734-142	100
13	734-143	100
14	734-144	100
16	734-146	50
18	734-148	50
20	734-150	50
24	734-154	50

Pole No.	Item No.	PU
4	734-402	100
6	734-403	100
8	734-404	100
10	734-405	100
12	734-406	100
14	734-407	50
16	734-408	50
18	734-409	50
20	734-410	50
24	734-412	50

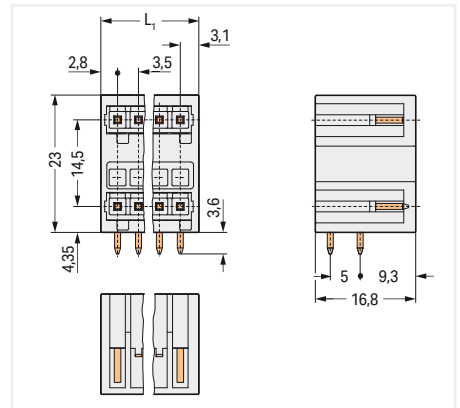
5



L = (pole no. - 1) x pin spacing + 5.9 mm



L = (pole no. - 1) x pin spacing + 5.9 mm



L<sub>1</sub> = (pole no./2 - 1) x pin spacing + 5.9 mm

PU = Packaging Unit; SPU = Subpackaging Unit; Dimensions in mm

Other variants can be requested via the WAGO sales department or, if necessary, configured at <https://configurator.wago.com/>:

- Other pole numbers
- Gold-plated or partially gold-plated contact surfaces

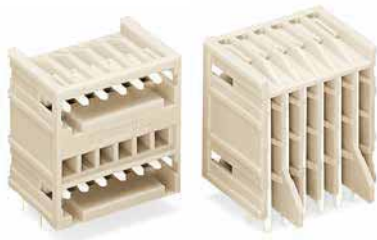
# THT Male Header ▶ MCS MINI ▶ 734 Series

Pin spacing: 3.5 mm (0.138 inch) ▶ Solder pin dimensions: 1 x 1 mm ▶ Color: light gray

Double-deck with support ▶ Mating direction to the PCB: 0°

Locking of plug-in connection: Threaded flange ▶ Mating direction to the PCB: 0°

Locking of plug-in connection: Threaded flange ▶ Mating direction to the PCB: 90°

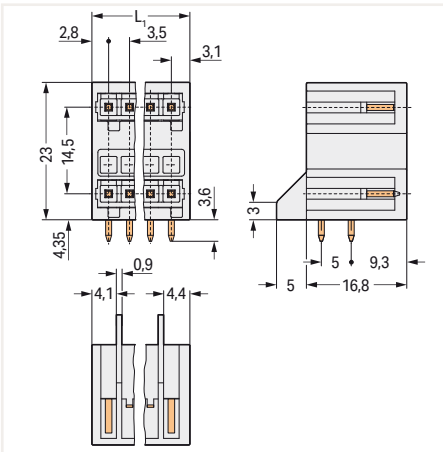


Pole No.	Item No.	PU
4	734-402/001-000	100
6	734-403/001-000	100
8	734-404/001-000	100
10	734-405/001-000	100
12	734-406/001-000	50
14	734-407/001-000	50
16	734-408/001-000	50
18	734-409/001-000	50
20	734-410/001-000	50
24	734-412/001-000	50

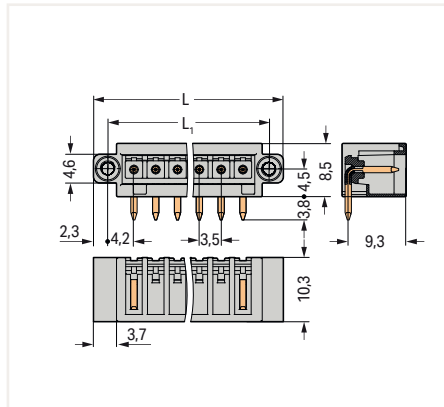
Pole No.	Item No.	PU
2	734-162/108-000	200
3	734-163/108-000	200
4	734-164/108-000	200
5	734-165/108-000	200
6	734-166/108-000	100
7	734-167/108-000	100
8	734-168/108-000	100
9	734-169/108-000	100
10	734-170/108-000	100
11	734-171/108-000	100
12	734-172/108-000	100
13	734-173/108-000	100
14	734-174/108-000	50
16	734-176/108-000	50
18	734-178/108-000	50
20	734-180/108-000	50
24	734-184/108-000	50

Pole No.	Item No.	PU
2	734-132/108-000	200
3	734-133/108-000	200
4	734-134/108-000	200
5	734-135/108-000	100
6	734-136/108-000	100
7	734-137/108-000	100
8	734-138/108-000	100
9	734-139/108-000	100
10	734-140/108-000	100
11	734-141/108-000	100
12	734-142/108-000	100
13	734-143/108-000	50
14	734-144/108-000	50
16	734-146/108-000	50
18	734-148/108-000	50
20	734-150/108-000	50
24	734-154/108-000	50

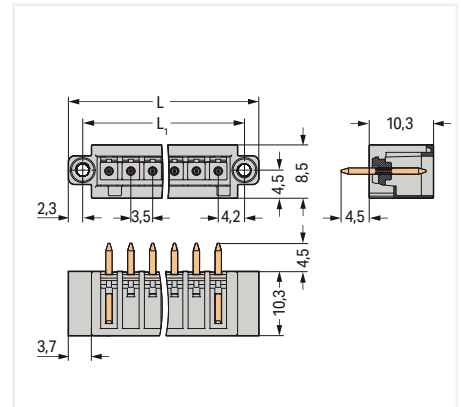
5



$L_1 = (\text{pole no.} / 2 - 1) \times \text{pin spacing} + 5.9 \text{ mm}$



$L = (\text{pole no.} \times \text{pin spacing}) + 9.5 \text{ mm}$   
 $L_1 = (\text{pole no.} \times \text{pin spacing}) + 4.9 \text{ mm}$



$L = (\text{pole no.} \times \text{pin spacing}) + 9.5 \text{ mm}$   
 $L_1 = (\text{pole no.} \times \text{pin spacing}) + 4.9 \text{ mm}$

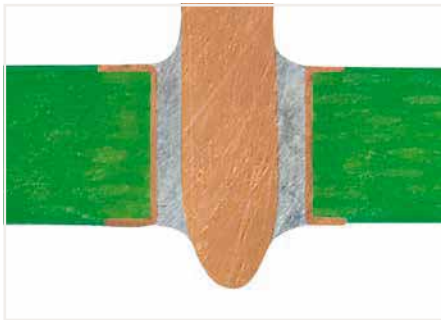
PU = Packaging Unit; SPU = Subpackaging Unit; Dimensions in mm

Other variants can be requested via the WAGO sales department or, if necessary, configured at <https://configurator.wago.com/>:

- Other pole numbers
- Gold-plated or partially gold-plated contact surfaces



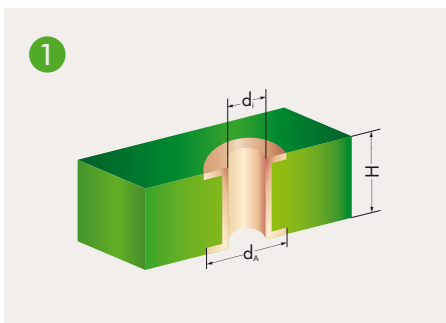
# THR (Through-Hole Reflow) Soldering Process



By using high-temperature-resistant plastic and a streamlined pin design, WAGO's THR male headers and PCB terminal blocks meet requirements for SMT process capability while maintaining the necessary stability. Both headers and terminal blocks are simply pushed into the solder paste-filled PCB holes and then soldered along with the SMT components via reflow soldering. The previous wave soldering process is no longer necessary. The result is a perfect connection – both mechanically and electrically.

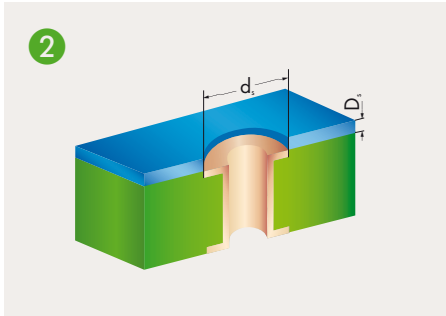
Terminal strips with an additional suction pad in tape-and-reel packaging per IEC 60286-3 WAGO recommends both a temperature profile that adheres to EN 61760-1 and the use of forced convection ovens for processing THR components.

5



Metal-plated PCB bore hole

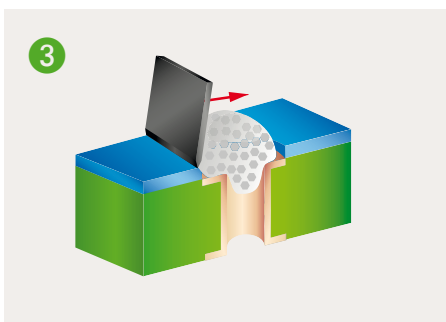
Series	d <sub>i</sub> (mm)	d <sub>A</sub> (mm)	H (mm)	d <sub>s</sub> (mm)	D <sub>s</sub> (µm)	d (mm)	L (mm)
218	1,1 <sup>+0,1</sup>	1,9	< 2	1,8	150	0,9	2,8
231 (1 x 1 mm)	1,4 <sup>+0,1</sup>	2,5	< 2	2,4	150	1,2	2,4
231 (1,2 x 1,2 mm)	1,7 <sup>+0,1</sup>	2,8	< 2	2,7	150	1,5	2,4
236	1,1 <sup>+0,1</sup>	2,2	< 2	2,1	150	0,9	3,6
250	1,1 <sup>+0,1</sup>	2,0	< 2	1,9	150	0,9	3,6
713	1,2 <sup>+0,1</sup>	1,9	< 2	1,8	150	1,0	2,4
733	1,2 <sup>+0,1</sup>	1,9	< 2	1,8	150	1,0	2,4
734	1,4 <sup>+0,1</sup>	2,5	< 2	2,4	150	1,2	2,4
2060 THR	1,5 <sup>+0,1</sup>	2,4	< 2	2,3	150	1,25	2,4
2061 THR	1,5 <sup>+0,1</sup>	2,4	< 2	2,3	150	1,25	1,5/2,4



SMD positioning pattern

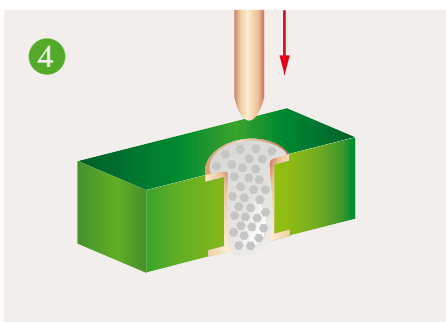
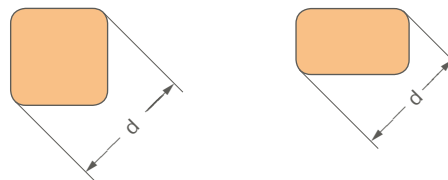
- d<sub>i</sub>: Plated through-hole diameter
- d<sub>A</sub>: Outer diameter of metal-plated PCB hole\*
- H: PCB thickness
- d<sub>s</sub>: Pattern hole diameter
- D<sub>s</sub>: Pattern thickness
- d: Pin diagonal
- L: Pin length

\* When laying out the metal-plated bore holes, the clearance and creepage distance requirements – as specified in the equipment standards – must be considered.

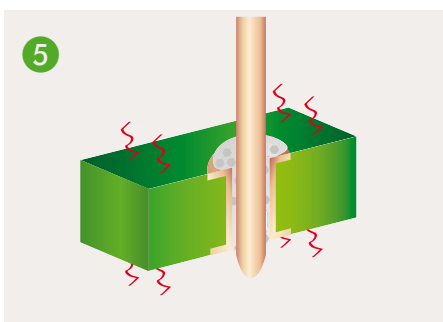


Solder paste application

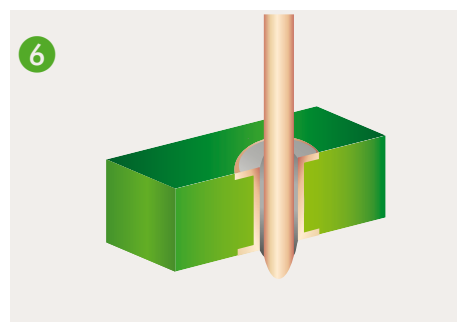
Soldering pin form



Component assembly, automatic/by hand



Reflow soldering process

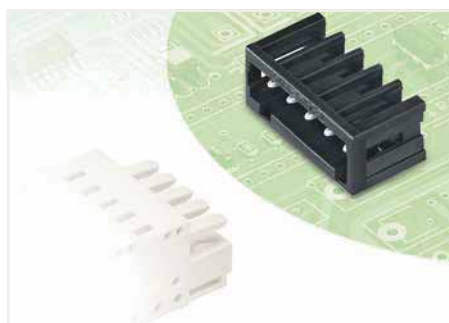


THR soldering joint

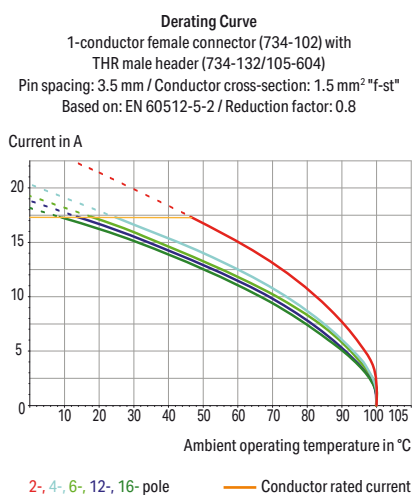


**THR Male Header ▶ MCS MINI ▶ 734 Series**

Pin spacing: 3.5 mm (0.138 inch) ▶ Solder pin dimensions: 1 x 1 mm ▶ Color: black



- THR male headers for reflow soldering in SMT applications
- Available in tape-and-reel packaging for automated pick-and-place PCB assembly
- Optimal thermal penetration via pin enclosure design provides lower soldering temperatures
- 100 % protected against mismatching
- Coding via coding fingers

**Electrical Data**

Ratings per	IEC/EN 60664-1		
Overvoltage category	III	III	II
Pollution degree	3	2	2
Rated voltage	160 V	160 V	320 V
Rated impulse voltage	2.5 kV	2.5 kV	2.5 kV
Rated current	10 A	10 A	10 A
Approvals per	UL 1059		
Use Group	B	C	D
Rated voltage	300 V	-	300 V
Rated current	10 A	-	10 A
Approvals per	CSA		
Use Group	B	C	D
Rated voltage	300 V	-	300 V
Rated current	10 A	-	10 A

**Material Data**

Material group	I
Insulating material	Polyphthalamide (PPA GF)
Flammability class per UL94	V0
Contact material	Electrolytic copper (Ecu)
Contact plating	Tin-plated

**Mechanical Data**

Solder pin arrangement	Over the entire male connector, in line
Solder pin length	2.4 mm
Solder pin dimensions	1 x 1 mm
Plated through-hole diameter (THR)	1.4 <sup>(±0.1)</sup> mm

**Environmental Requirements**

Limit temperature range	-60 ... +100 °C
-------------------------	-----------------

The *MULTI CONNECTION SYSTEM (MCS)* is designed without breaking capacity for compliance with DIN EN 61984. When used as intended, MCS Connectors shall not be connected/disconnected when live or under load. The circuit design should ensure header pins, which can be touched, are not live when unmated.

THR-soldering process Page 372

Coding Page 408

Additional information, see "Technical Section"

Approvals and corresponding ratings, visit [www.wago.com](http://www.wago.com)



# THR Male Header ▶ MCS MINI ▶ 734 Series

Pin spacing: 3.5 mm (0.138 inch) ▶ Solder pin dimensions: 1 x 1 mm ▶ Color: black

Mating direction to the PCB: 0°

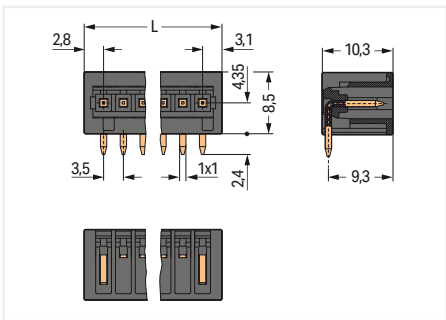
Suitable for automated assembly



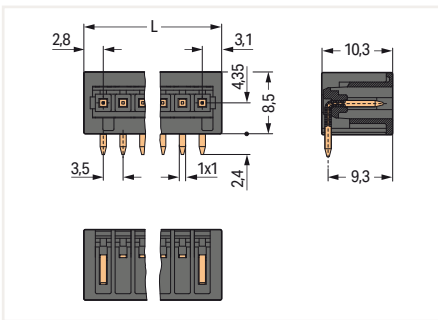
Pole No.	Item No.	PU
2	734-162/105-604	200
3	734-163/105-604	200
4	734-164/105-604	200
5	734-165/105-604	200
6	734-166/105-604	100
7	734-167/105-604	100
8	734-168/105-604	100
9	734-169/105-604	100
10	734-170/105-604	100
11	734-171/105-604	100
12	734-172/105-604	100
14	734-174/105-604	100
16	734-176/105-604	50

Pole No.	Tape width	Item No.	PU
2	32 mm	734-162/105-604/997-405	280
3	32 mm	734-163/105-604/997-405	280
4	32 mm	734-164/105-604/997-405	280
5	32 mm	734-165/105-604/997-405	280
6	56 mm	734-166/105-604/997-407	280
7	56 mm	734-167/105-604/997-407	280
8	56 mm	734-168/105-604/997-407	280
9	56 mm	734-169/105-604/997-407	280
10	56 mm	734-170/105-604/997-407	280
11	56 mm	734-171/105-604/997-407	280
12	56 mm	734-172/105-604/997-407	280
14	72 mm	734-174/105-604/997-408	280
16	72 mm	734-176/105-604/997-408	280

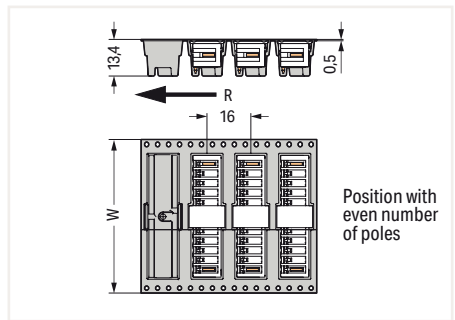
5



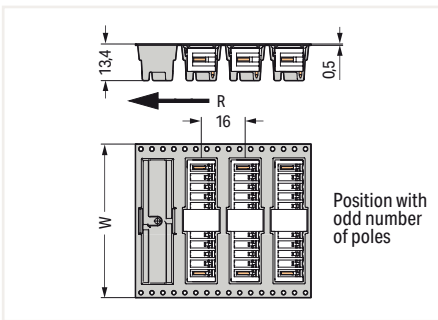
$L = (\text{pole no.} - 1) \times \text{pin spacing} + 5.9 \text{ mm}$



$L = (\text{pole no.} - 1) \times \text{pin spacing} + 5.9 \text{ mm}$



W= Tape width  
R = Feed direction



W= Tape width  
R = Feed direction

PU = Packaging Unit; SPU = Subpackaging Unit; Dimensions in mm

Other variants can be requested via the WAGO sales department or, if necessary, configured at <https://configurator.wago.com/>:

- Other pole numbers
- Other solder pin lengths
- Gold-plated or partially gold-plated contact surfaces

# THR Male Header ▶ MCS MINI ▶ 734 Series

Pin spacing: 3.5 mm (0.138 inch) ▶ Solder pin dimensions: 1 x 1 mm ▶ Color: black

Mating direction to the PCB: 90°

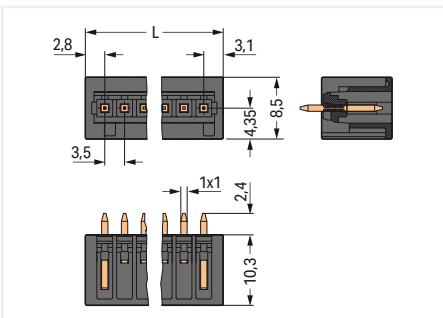
Suitable for automated assembly



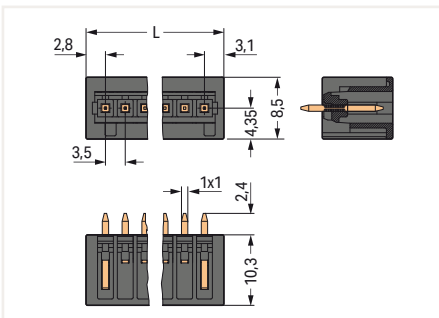
Pole No.	Item No.	PU
2	734-132/105-604	200
3	734-133/105-604	200
4	734-134/105-604	200
5	734-135/105-604	200
6	734-136/105-604	100
7	734-137/105-604	100
8	734-138/105-604	100
9	734-139/105-604	100
10	734-140/105-604	100
11	734-141/105-604	100
12	734-142/105-604	100
14	734-144/105-604	100

Pole No.	Tape width	Item No.	PU
2	32 mm	734-132/105-604/997-405	200
3	32 mm	734-133/105-604/997-405	200
4	32 mm	734-134/105-604/997-405	200
5	32 mm	734-135/105-604/997-405	200
6	56 mm	734-136/105-604/997-407	200
7	56 mm	734-137/105-604/997-407	200
8	56 mm	734-138/105-604/997-407	200
9	56 mm	734-139/105-604/997-407	200
10	56 mm	734-140/105-604/997-407	200
11	56 mm	734-141/105-604/997-407	200
12	56 mm	734-142/105-604/997-407	200
14	72 mm	734-144/105-604/997-408	100
16	72 mm	734-146/105-604/997-408	200

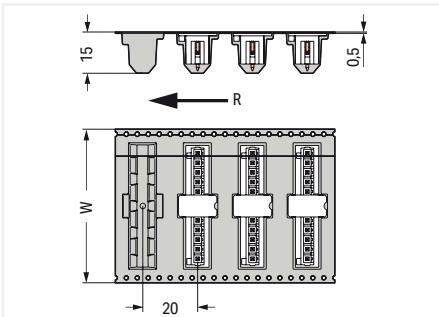
5



L = (pole no. - 1) x pin spacing + 5.9 mm



L = (pole no. - 1) x pin spacing + 5.9 mm



W= Tape width  
R = Feed direction

PU = Packaging Unit; SPU = Subpackaging Unit; Dimensions in mm

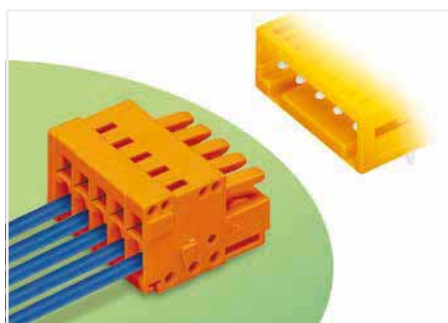
Other variants can be requested via the WAGO sales department or, if necessary, configured at <https://configurator.wago.com/>:

- Other pole numbers
- Other solder pin lengths
- Gold-plated or partially gold-plated contact surfaces

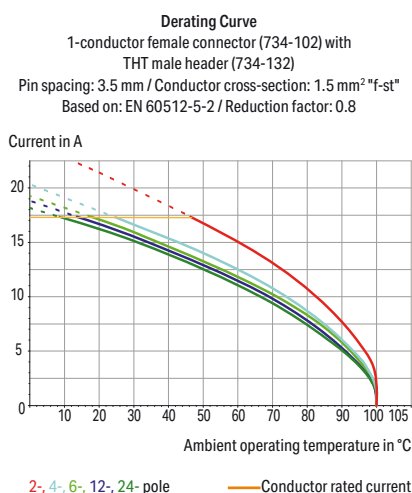


## 1-Conductor Female Connector ▶ MCS MINI ▶ 734 Series

Pin spacing: 3.81 mm (0.15 inch) ▶ Actuation type: Operating tool ▶ CAGE CLAMP® ▶ Color: orange



- Universal connection for all conductor types
- Easy cable pre-assembly and on-unit wiring via vertical and horizontal CAGE CLAMP® actuation
- Strain relief plates and housings for field assembly
- 100 % protected against mismatching
- Coding via coding fingers



### Electrical Data

Ratings per	IEC/EN 60664-1		
Overvoltage category	III	III	II
Pollution degree	3	2	2
Rated voltage	160 V	160 V	320 V
Rated impulse voltage	2.5 kV	2.5 kV	2.5 kV
Rated current	10 A	10 A	10 A
Approvals per	UL 1059		
Use Group	B	C	D
Rated voltage	300 V	-	300 V
Rated current	10 A	-	10 A
Approvals per	CSA		
Use Group	B	C	D
Rated voltage	300 V	-	300 V
Rated current	10 A	-	10 A

### Connection Data

Connection technology	CAGE CLAMP®
Strip length	6 ... 7 mm / 0.24 ... 0.28 inch
Solid conductor	0.08 ... 1.5 mm <sup>2</sup> / 28 ... 14 AWG
Fine-stranded conductor	0.08 ... 1.5 mm <sup>2</sup> / 28 ... 14 AWG
Fine-stranded conductor with ferrule with plastic collar	0.25 ... 1.5 mm <sup>2</sup>
Fine-stranded conductor with ferrule without plastic collar	0.25 ... 1.5 mm <sup>2</sup>
Note (conductor cross-section)	Terminating 1.5 mm <sup>2</sup> conductors is possible; however insulation diameter does not allow clamping units to be terminated in a row.

### Material Data

Material group	I
Insulating material	Polyamide 66 (PA 66)
Flammability class per UL94	V0
Clamping spring material	Chrome nickel spring steel (CrNi)
Contact material	Copper alloy
Contact plating	Tin-plated

### Environmental Requirements

Limit temperature range	-60 ... +100 °C
-------------------------	-----------------

The *MULTI CONNECTION SYSTEM (MCS)* is designed without breaking capacity for compliance with DIN EN 61984. When used as intended, MCS Connectors shall not be connected/disconnected when live or under load. The circuit design should ensure header pins, which can be touched, are not live when unmated.

Ferrule	Page 847
Marking	Page 832
Mounting	Page 542
Strain relief	Page 409
Testing and measuring	Page 854
Tools	Page 406
Direct marking	Page 402
Additional information, see "Technical Section"	
Approvals and corresponding ratings, visit <a href="http://www.wago.com">www.wago.com</a>	

### 1-Conductor Female Connector ▶ MCS MINI ▶ 734 Series

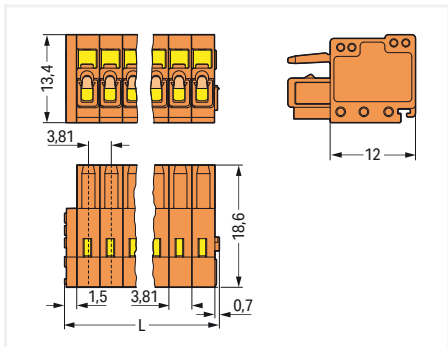
Pin spacing: 3.81 mm (0.15 inch) ▶ Actuation type: Operating tool ▶ CAGE CLAMP® ▶ Color: orange

Locking of plug-in connection: locking lever

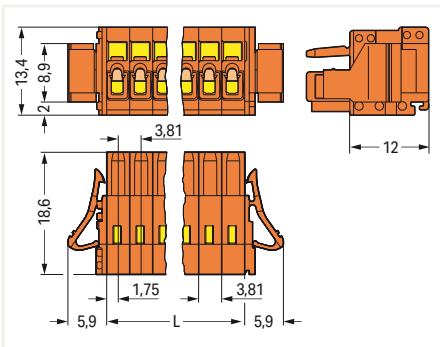


Pole No.	Item No.	PU
2	734-202	200
3	734-203	200
4	734-204	100
5	734-205	100
6	734-206	100
8	734-208	50
9	734-209	50
10	734-210	50
12	734-212	25
14	734-214	25
15	734-215	25
16	734-216	25
18	734-218	25
19	734-219	25
20	734-220	25

Pole No.	Item No.	PU
2	734-202/037-000	100
3	734-203/037-000	100
4	734-204/037-000	100
5	734-205/037-000	50
6	734-206/037-000	50
8	734-208/037-000	50
9	734-209/037-000	50
10	734-210/037-000	50
12	734-212/037-000	25
14	734-214/037-000	25
15	734-215/037-000	25
16	734-216/037-000	25
18	734-218/037-000	25
19	734-219/037-000	25
20	734-220/037-000	25



L = (pole no. x pin spacing) + 2.2 mm



L = pole no. x pin spacing

5

PU = Packaging Unit; SPU = Subpackaging Unit; Dimensions in mm

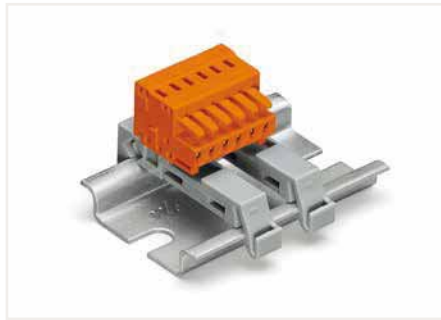
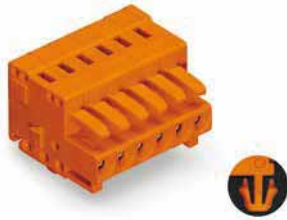
Other variants can be requested via the WAGO sales department or, if necessary, configured at <https://configurator.wago.com/>:

- Other pole numbers
- Gold-plated or partially gold-plated contact surfaces

# 1-Conductor Female Connector ▶ MCS MINI ▶ 734 Series

Pin spacing: 3.81 mm (0.15 inch) ▶ Actuation type: Operating tool ▶ CAGE CLAMP® ▶ Color: orange

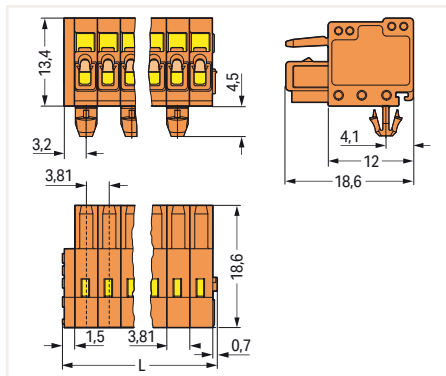
Type of mounting: Panel mounting ▶ Mounting type: Snap-in mounting foot



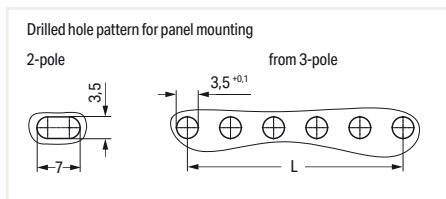
Using two DIN-35 rail mounting adapters (209-137) for 3 or more poles. Distance between two mounting adapters: maximum 7 poles.

Pole No.	Item No.	PU
2	734-202/008-000	200
3	734-203/008-000	200
4	734-204/008-000	100
5	734-205/008-000	100
6	734-206/008-000	100
8	734-208/008-000	50
9	734-209/008-000	50
10	734-210/008-000	50
12	734-212/008-000	50
14	734-214/008-000	50
15	734-215/008-000	25
16	734-216/008-000	25
18	734-218/008-000	25
19	734-219/008-000	25
20	734-220/008-000	25

5



L = pole no. x pin spacing



Even pole numbers: L = (pole no. - 2) x pin spacing  
 Odd pole numbers: L = (pole no. - 1) x pin spacing

PU = Packaging Unit; SPU = Subpackaging Unit; Dimensions in mm

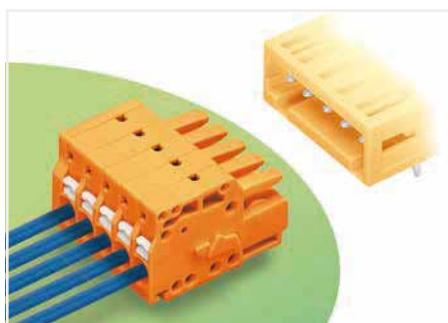
Other variants can be requested via the WAGO sales department or, if necessary, configured at <https://configurator.wago.com/>:

- Other pole numbers
- Gold-plated or partially gold-plated contact surfaces

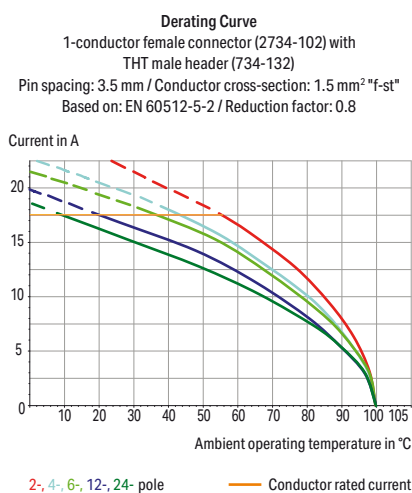


## 1-Conductor Female Connector ▶ MCS MINI ▶ 2734 Series

Pin spacing: 3.81 mm (0.15 inch) ▶ Actuation type: Push-button ▶ Push-in CAGE CLAMP® ▶ Color: orange



- Universal connection for all conductor types
- Easy-to-use design does not require specialty tools
- Ability to wire while mated
- Simple, push-in termination of solid and ferruled conductors
- Integrated test ports for testing parallel to the conductor entry
- 100 % protected against mismatching
- Coding via coding fingers



### Electrical Data

Ratings per	IEC/EN 60664-1		
Overvoltage category	III	III	II
Pollution degree	3	2	2
Rated voltage	160 V	160 V	320 V
Rated impulse voltage	2.5 kV	2.5 kV	2.5 kV
Rated current	10 A	10 A	10 A
Approvals per	UL 1059		
Use Group	B	C	D
Rated voltage	300 V	-	300 V
Rated current	10 A	-	10 A
Approvals per	CSA		
Use Group	B	C	D
Rated voltage	300 V	-	300 V
Rated current	10 A	-	10 A

### Connection Data

Connection technology	Push-in CAGE CLAMP®
Strip length	8 ... 9 mm / 0.31 ... 0.35 inch
Solid conductor	0.2 ... 1.5 mm <sup>2</sup> / 24 ... 16 AWG
Fine-stranded conductor	0.2 ... 1.5 mm <sup>2</sup> / 24 ... 16 AWG
Fine-stranded conductor with ferrule with plastic collar	0.25 ... 0.75 mm <sup>2</sup>
Fine-stranded conductor with ferrule without plastic collar	0.25 ... 1.5 mm <sup>2</sup>

### Material Data

Material group	I
Insulating material	Polyamide 66 (PA 66)
Flammability class per UL94	V0
Clamping spring material	Chrome nickel spring steel (CrNi)
Contact material	Copper alloy
Contact plating	Tin-plated

### Environmental Requirements

Limit temperature range	-60 ... +100 °C
-------------------------	-----------------

The *MULTI CONNECTION SYSTEM (MCS)* is designed without breaking capacity for compliance with DIN EN 61984. When used as intended, MCS Connectors shall not be connected/disconnected when live or under load. The circuit design should ensure header pins, which can be touched, are not live when unmated.

Ferrule	Page 847
Mounting	Page 537, 837
Strain relief	Page 409
Tools	Page 406, 838
Direct marking	Page 402
Cutout dimensions	Page 404
Additional information, see "Technical Section"	
Approvals and corresponding ratings, visit <a href="http://www.wago.com">www.wago.com</a>	

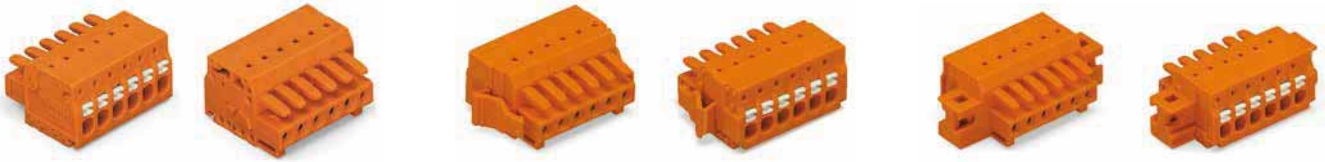


# 1-Conductor Female Connector ▶ MCS MINI ▶ 2734 Series

Pin spacing: 3.81 mm (0.15 inch) ▶ Actuation type: Push-button ▶ Push-in CAGE CLAMP® ▶ Color: orange

Locking of plug-in connection: locking lever

Type of mounting: Feed-through mounting, Panel mounting ▶ Mounting type: Mounting flange

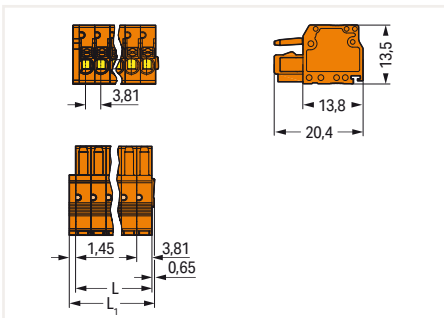


Pole No.	Item No.	PU
2	2734-202	200
3	2734-203	200
4	2734-204	100
5	2734-205	100
6	2734-206	100
8	2734-208	50
9	2734-209	50
10	2734-210	50
12	2734-212	25
14	2734-214	25
15	2734-215	25
16	2734-216	25
18	2734-218	25
19	2734-219	25
20	2734-220	25

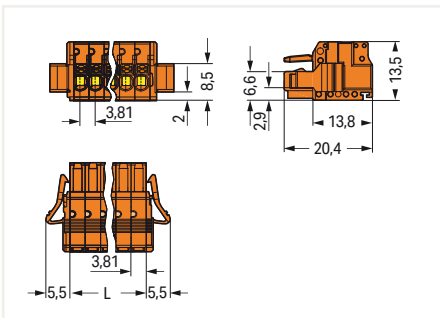
Pole No.	Item No.	PU
2	2734-202/037-000	100
3	2734-203/037-000	100
4	2734-204/037-000	100
5	2734-205/037-000	50
6	2734-206/037-000	50
8	2734-208/037-000	50
9	2734-209/037-000	50
10	2734-210/037-000	50
12	2734-212/037-000	25
14	2734-214/037-000	25
15	2734-215/037-000	25
16	2734-216/037-000	25
18	2734-218/037-000	25
19	2734-219/037-000	25
20	2734-220/037-000	25

Pole No.	Item No.	PU
2	2734-202/031-000	100
3	2734-203/031-000	100
4	2734-204/031-000	50
5	2734-205/031-000	50
6	2734-206/031-000	50
8	2734-208/031-000	50
9	2734-209/031-000	50
10	2734-210/031-000	50
12	2734-212/031-000	25
14	2734-214/031-000	25
16	2734-216/031-000	25
20	2734-220/031-000	25

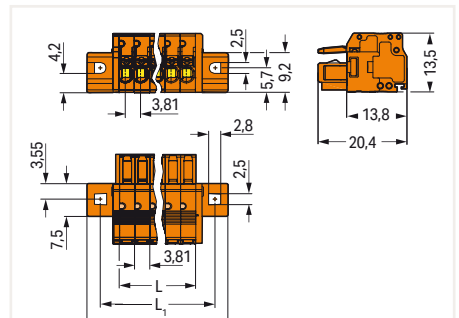
5



L = pole no. x pin spacing  
 $L_1 = (\text{pole no.} \times \text{pin spacing}) + 2.1 \text{ mm}$



L = pole no. x pin spacing



L = pole no. x pin spacing  
 $L_1 = (\text{pole no.} \times \text{pin spacing}) + 8.8 \text{ mm}$   
 $L_2 = (\text{pole no.} \times \text{pin spacing}) + 14.8 \text{ mm}$

PU = Packaging Unit; SPU = Subpackaging Unit; Dimensions in mm

Other variants can be requested via the WAGO sales department or, if necessary, configured at <https://configurator.wago.com/>:

- Other pole numbers
- Gold-plated or partially gold-plated contact surfaces

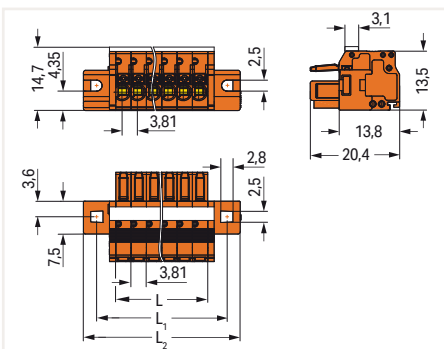
## 1-Conductor Female Connector ▶ MCS MINI ▶ 2734 Series

Pin spacing: 3.81 mm (0.15 inch) ▶ Actuation type: Push-button ▶ Push-in CAGE CLAMP® ▶ Color: orange

Type of mounting: Feed-through mounting, Panel mounting ▶ Mounting type: Mounting flange ▶ with reinforcing strip



Pole No.	Item No.	PU
10	2734-210/027-000	50
12	2734-212/027-000	25
14	2734-214/027-000	25
15	2734-215/027-000	25
16	2734-216/027-000	25
18	2734-218/027-000	25
19	2734-219/027-000	25
20	2734-220/027-000	25



PU = Packaging Unit; SPU = Subpackaging Unit; Dimensions in mm

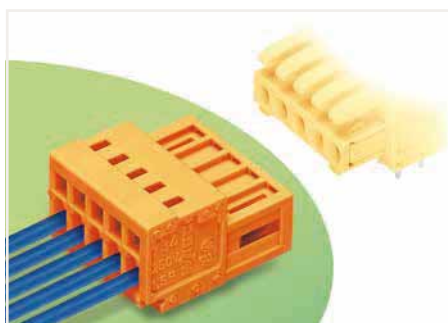
Other variants can be requested via the WAGO sales department or, if necessary, configured at <https://configurator.wago.com/>:

- Other pole numbers
- Gold-plated or partially gold-plated contact surfaces

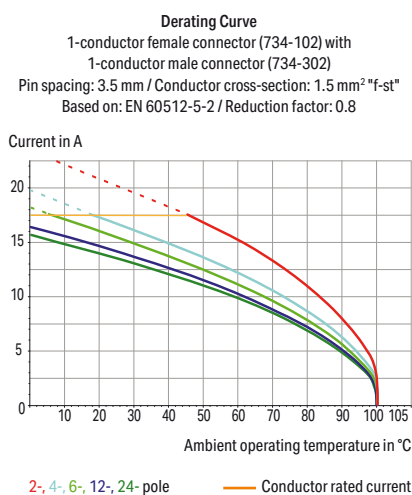


## 1-Conductor Male Connector ▶ MCS MINI ▶ 734 Series

Pin spacing: 3.81 mm (0.15 inch) ▶ Actuation type: Operating tool ▶ CAGE CLAMP® ▶ Color: orange



- Universal connection for all conductor types
- Easy cable pre-assembly and on-unit wiring via vertical and horizontal CAGE CLAMP® actuation
- For wire-to-wire and board-to-wire connections
- Strain relief plates and housings for factory and field assembly
- 100 % protected against mismatching
- Coding via coding fingers



### Electrical Data

Ratings per	IEC/EN 60664-1		
Overvoltage category	III	III	II
Pollution degree	3	2	2
Rated voltage	160 V	160 V	320 V
Rated impulse voltage	2.5 kV	2.5 kV	2.5 kV
Rated current	10 A	10 A	10 A
Approvals per	UL 1059		
Use Group	B	C	D
Rated voltage	300 V	-	300 V
Rated current	10 A	-	10 A
Approvals per	CSA		
Use Group	B	C	D
Rated voltage	300 V	-	300 V
Rated current	10 A	-	10 A

### Connection Data

Connection technology	CAGE CLAMP®
Strip length	6 ... 7 mm / 0.24 ... 0.28 inch
Solid conductor	0.08 ... 1.5 mm <sup>2</sup> / 28 ... 14 AWG
Fine-stranded conductor	0.08 ... 1.5 mm <sup>2</sup> / 28 ... 14 AWG
Fine-stranded conductor with ferrule with plastic collar	0.25 ... 1.5 mm <sup>2</sup>
Fine-stranded conductor with ferrule without plastic collar	0.25 ... 1.5 mm <sup>2</sup>
Note (conductor cross-section)	Terminating 1.5 mm <sup>2</sup> conductors is possible; however insulation diameter does not allow clamping units to be terminated in a row.

### Material Data

Material group	I
Insulating material	Polyamide 66 (PA 66)
Flammability class per UL94	V0
Clamping spring material	Chrome nickel spring steel (CrNi)
Contact material	Electrolytic copper (Ecu)
Contact plating	Tin-plated

### Environmental Requirements

Limit temperature range	-60 ... +100 °C
-------------------------	-----------------

The *MULTI CONNECTION SYSTEM (MCS)* is designed without breaking capacity for compliance with DIN EN 61984. When used as intended, MCS Connectors shall not be connected/disconnected when live or under load. The circuit design should ensure header pins, which can be touched, are not live when unmated.

Coding	Page 408
Cover	Page 407
Ferrule	Page 847
Marking	Page 832
Mounting	Page 537, 837
Strain relief	Page 409
Testing and measuring	Page 854
Tools	Page 406, 838
Direct marking	Page 402
Cutout dimensions	Page 404
Additional information, see "Technical Section"	
Approvals and corresponding ratings, visit <a href="http://www.wago.com">www.wago.com</a>	

## 1-Conductor Male Connector ▶ MCS MINI ▶ 734 Series

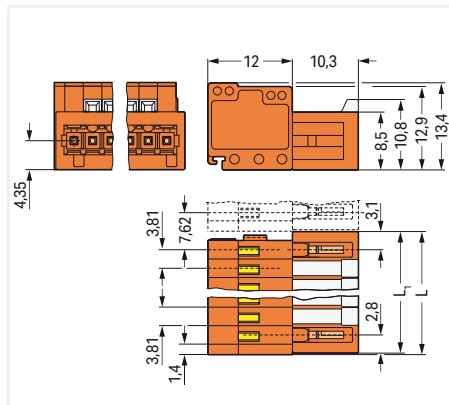
Pin spacing: 3.81 mm (0.15 inch) ▶ Actuation type: Operating tool ▶ CAGE CLAMP® ▶ Color: orange

Type of mounting: Feed-through mounting, Panel mounting ▶ Mounting type: Mounting flange

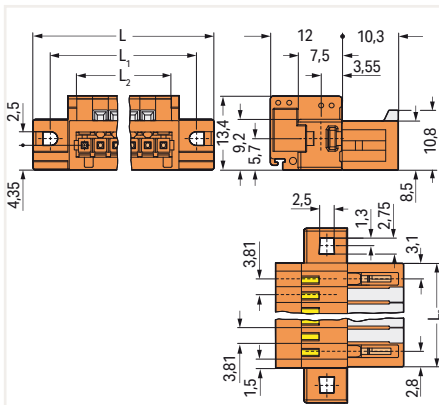


Pole No.	Item No.	PU
2	734-332	200
3	734-333	200
4	734-334	100
5	734-335	100
6	734-336	100
8	734-338	50
9	734-339	50
10	734-340	50
12	734-342	50
14	734-344	50
15	734-345	25
16	734-346	25
18	734-348	25
19	734-349	25
20	734-350	25

Pole No.	Item No.	PU
2	734-332/019-000	100
3	734-333/019-000	100
4	734-334/019-000	50
5	734-335/019-000	50
6	734-336/019-000	50
8	734-338/019-000	50
9	734-339/019-000	50
10	734-340/019-000	50
12	734-342/019-000	25
14	734-344/019-000	25
15	734-345/019-000	25
16	734-346/019-000	25
18	734-348/019-000	25
19	734-349/019-000	25
20	734-350/019-000	25



$L = (\text{pole no.} - 1) \times \text{pin spacing} + 5.9 \text{ mm} + 0.45 \text{ mm}$   
 $L_1 = L - 0.45 \text{ mm}$



$L = \text{pole no.} \times \text{pin spacing} + 14.8 \text{ mm}$   
 $L_1 = \text{pole no.} \times \text{pin spacing} + 8.8 \text{ mm}$   
 $L_2 = \text{pole no.} \times \text{pin spacing}$   
 $L_3 = (\text{pole no.} - 1) \times \text{pin spacing} + 5.9 \text{ mm}$

PU = Packaging Unit; SPU = Subpackaging Unit; Dimensions in mm

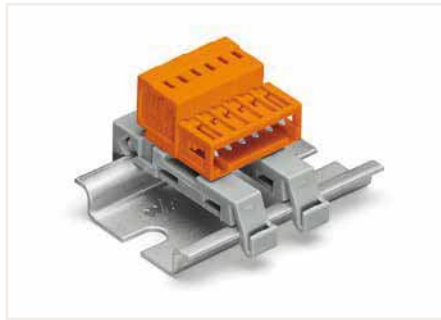
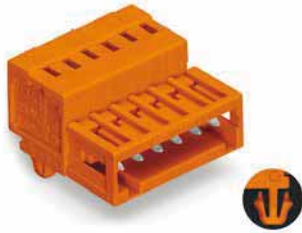
Other variants can be requested via the WAGO sales department or, if necessary, configured at <https://configurator.wago.com/>:

- Other pole numbers
- Gold-plated or partially gold-plated contact surfaces

# 1-Conductor Male Connector ▶ MCS MINI ▶ 734 Series

Pin spacing: 3.81 mm (0.15 inch) ▶ Actuation type: Operating tool ▶ CAGE CLAMP® ▶ Color: orange

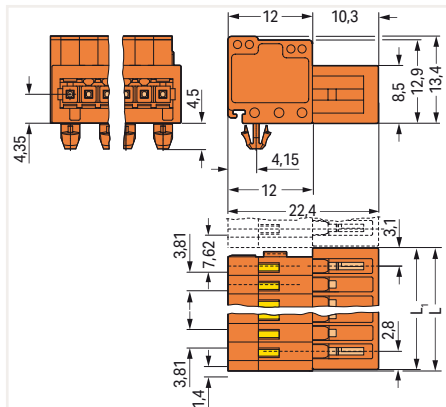
Type of mounting: Panel mounting ▶ Mounting type: Snap-in mounting foot



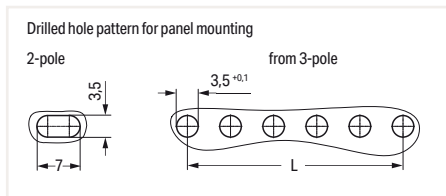
Using two DIN-35 rail mounting adapters (209-137) for 3 or more poles. Distance between two mounting adapters: maximum 7 poles.

Pole No.	Item No.	PU
2	734-332/018-000	200
3	734-333/018-000	100
4	734-334/018-000	100
5	734-335/018-000	100
6	734-336/018-000	100
8	734-338/018-000	50
9	734-339/018-000	50
10	734-340/018-000	50
12	734-342/018-000	50
14	734-344/018-000	50
15	734-345/018-000	25
16	734-346/018-000	25
18	734-348/018-000	25
19	734-349/018-000	25
20	734-350/018-000	25

5



$L = (\text{pole no.} - 1) \times \text{pin spacing} + 5.9 \text{ mm} + 0.45 \text{ mm}$   
 $L_1 = L - 0.45 \text{ mm}$



Even pole numbers:  $L = (\text{pole no.} - 2) \times \text{pin spacing}$   
 Odd pole numbers:  $L = (\text{pole no.} - 1) \times \text{pin spacing}$

PU = Packaging Unit; SPU = Subpackaging Unit; Dimensions in mm

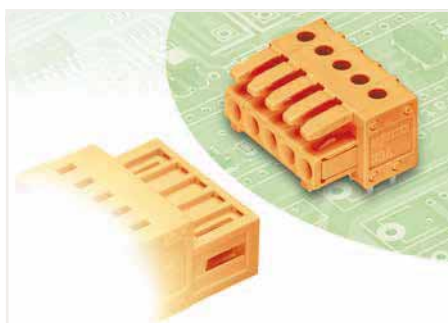
Other variants can be requested via the WAGO sales department or, if necessary, configured at <https://configurator.wago.com/>:

- Other pole numbers
- Gold-plated or partially gold-plated contact surfaces



**THT Female Header ▶ MCS MINI ▶ 734 Series**

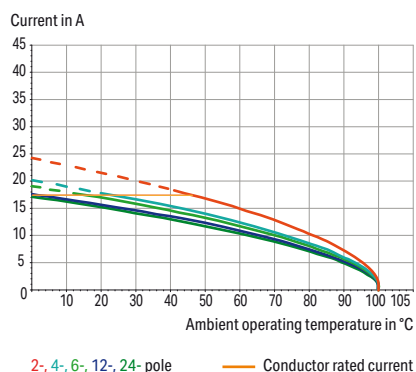
Pin spacing: 3.81 mm (0.15 inch) ▶ Solder pin dimensions: 0.9 x 0.9 mm ▶ Color: orange



- Horizontal or vertical PCB mounting via straight or angled solder pins
- Integrated test ports for 2 mm Ø test plugs
- For board-to-board and board-to-wire connections
- Touch-proof PCB outputs
- Easy-to-identify inputs and outputs
- 100 % protected against mismatching
- Coding via coding fingers

**Derating Curve**THT female header (734-532) with  
1-conductor male connector (734-302)Pin spacing: 3.5 mm / Conductor cross-section: 1.5 mm<sup>2</sup> "f-st"

Based on: EN 60512-5-2 / Reduction factor: 0.8

**Electrical Data**

Ratings per	IEC/EN 60664-1		
Overvoltage category	III	III	II
Pollution degree	3	2	2
Rated voltage	160 V	160 V	320 V
Rated impulse voltage	2.5 kV	2.5 kV	2.5 kV
Rated current	10 A	10 A	10 A
Approvals per			
Use Group	B	C	D
Rated voltage	300 V	-	300 V
Rated current	10 A	-	10 A

**Material Data**

Material group	I
Insulating material	Polyamide 66 (PA 66)
Flammability class per UL94	V0
Contact material	Copper alloy
Contact plating	Tin-plated

**Mechanical Data**

Solder pin arrangement	Over the entire female connector, in line
Solder pin length	3.8 mm
Solder pin dimensions	0.9 x 0.9 mm
Drilled hole diameter (tolerance)	1.4 <sup>(+0.1)</sup> mm

**Environmental Requirements**

Limit temperature range	-60 ... +100 °C
-------------------------	-----------------

The *MULTI CONNECTION SYSTEM (MCS)* is designed without breaking capacity for compliance with DIN EN 61984. When used as intended, MCS Connectors shall not be connected/disconnected when live or under load. The circuit design should ensure header pins, which can be touched, are not live when unmated.

Additional information, see "Technical Section"

Approvals and corresponding ratings,  
visit [www.wago.com](http://www.wago.com)



# THT Female Header ▶ MCS MINI ▶ 734 Series

Pin spacing: 3.81 mm (0.15 inch) ▶ Solder pin dimensions: 0.9 x 0.9 mm ▶ Color: orange

Mating direction to the PCB: 0°

Mating direction to the PCB: 90°

Locking of plug-in connection: locking lever ▶ Mating direction to the PCB: 0°

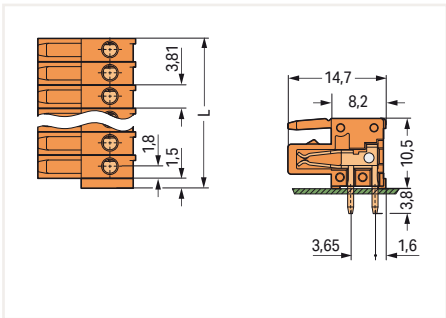


Pole No.	Item No.	PU
2	734-562	200
3	734-563	200
4	734-564	100
5	734-565	100
6	734-566	100
8	734-568	50
9	734-569	50
10	734-570	50
12	734-572	25
14	734-574	25
15	734-575	25
16	734-576	25
20	734-580	25

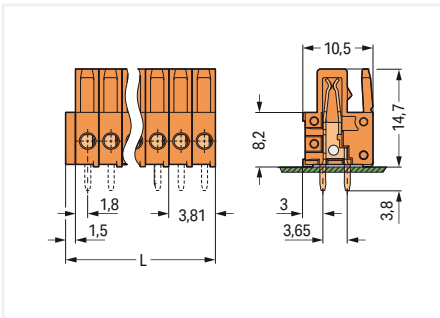
Pole No.	Item No.	PU
2	734-502	200
3	734-503	200
4	734-504	100
5	734-505	100
6	734-506	100
8	734-508	50
9	734-509	50
10	734-510	50
12	734-512	25
14	734-514	25
15	734-515	25
16	734-516	25
20	734-520	25

Pole No.	Item No.	PU
2	734-562/037-000	100
3	734-563/037-000	100
4	734-564/037-000	100
5	734-565/037-000	50
6	734-566/037-000	50
8	734-568/037-000	50
9	734-569/037-000	50
10	734-570/037-000	50
12	734-572/037-000	25
14	734-574/037-000	25
15	734-575/037-000	25
16	734-576/037-000	25
20	734-580/037-000	25

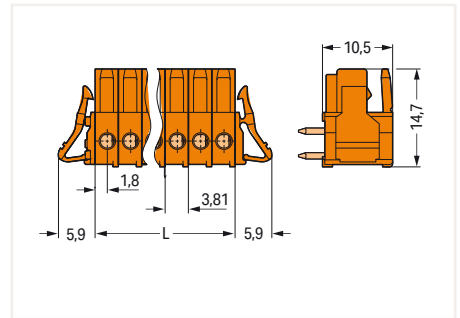
5



L = (pole no. x pin spacing) + 1.5 mm



L = (pole no. x pin spacing) + 1.5 mm



L = pole no. x pin spacing

PU = Packaging Unit; SPU = Subpackaging Unit; Dimensions in mm

Other variants can be requested via the WAGO sales department or, if necessary, configured at <https://configurator.wago.com/>:

- Other pole numbers
- Gold-plated or partially gold-plated contact surfaces

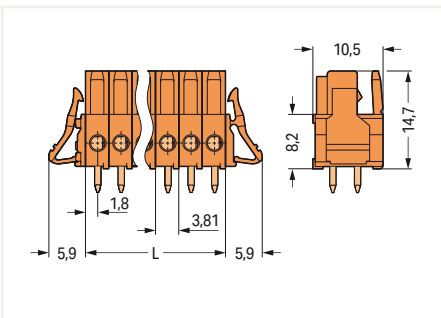
**THT Female Header ▶ MCS MINI ▶ 734 Series**

Pin spacing: 3.81 mm (0.15 inch) ▶ Solder pin dimensions: 0.9 x 0.9 mm ▶ Color: orange

Locking of plug-in connection: locking lever ▶ Mating direction to the PCB: 90°



Pole No.	Item No.	PU
2	734-502/037-000	100
3	734-503/037-000	100
4	734-504/037-000	100
5	734-505/037-000	50
6	734-506/037-000	50
8	734-508/037-000	50
9	734-509/037-000	50
10	734-510/037-000	50
12	734-512/037-000	25
14	734-514/037-000	25
15	734-515/037-000	25
16	734-516/037-000	25
20	734-520/037-000	25



L = pole no. x pin spacing

PU = Packaging Unit; SPU = Subpackaging Unit; Dimensions in mm

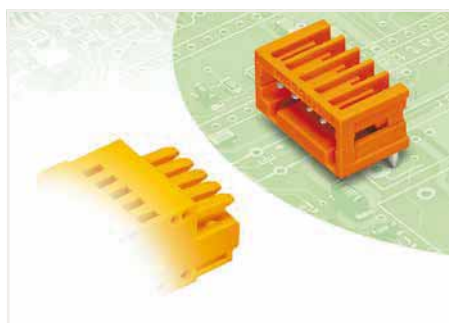
Other variants can be requested via the WAGO sales department or, if necessary, configured at <https://configurator.wago.com/>:

- Other pole numbers
- Gold-plated or partially gold-plated contact surfaces

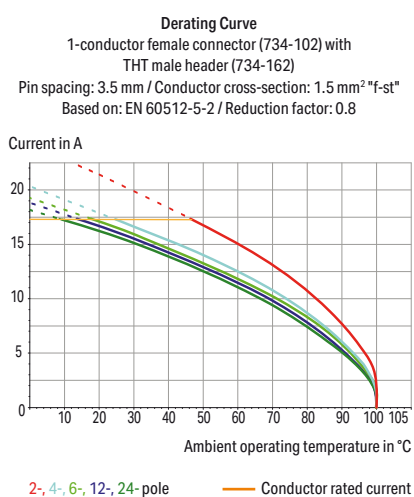


**THT Male Header ▶ MCS MINI ▶ 734 Series**

Pin spacing: 3.81 mm (0.15 inch) ▶ Solder pin dimensions: 1 x 1 mm ▶ Color: orange



- Horizontal or vertical PCB mounting via straight or angled solder pins
- 100 % protected against mismatching; only mating halves with the same number of poles can be connected together
- Coding via coding fingers

**Electrical Data**

		IEC/EN 60664-1		
Ratings per		III	III	II
Overvoltage category		3	2	2
Pollution degree		160 V	160 V	320 V
Rated voltage		2.5 kV	2.5 kV	2.5 kV
Rated impulse voltage		10 A	10 A	10 A
Rated current		UL 1059		
Approvals per		B	C	D
Use Group		300 V	-	300 V
Rated voltage		10 A	-	10 A
Rated current		CSA		
Approvals per		B	C	D
Use Group		300 V	-	300 V
Rated voltage		10 A	-	10 A
Rated current				

**Material Data**

Material group	I
Insulating material	Polyamide 66 (PA 66)
Flammability class per UL94	V0
Contact material	Electrolytic copper (Ecu)
Contact plating	Tin-plated

**Mechanical Data**

Solder pin arrangement	Over the entire male connector, in line
Solder pin dimensions	1 x 1 mm
Drilled hole diameter (tolerance)	1.4 <sup>(+0.1)</sup> mm

**Environmental Requirements**

Limit temperature range	-60 ... +100 °C
-------------------------	-----------------

The *MULTI CONNECTION SYSTEM (MCS)* is designed without breaking capacity for compliance with DIN EN 61984. When used as intended, MCS Connectors shall not be connected/disconnected when live or under load. The circuit design should ensure header pins, which can be touched, are not live when unmated.

Coding Page 408

Additional information, see "Technical Section"

Approvals and corresponding ratings, visit [www.wago.com](http://www.wago.com)

# THT Male Header ▶ MCS MINI ▶ 734 Series

Pin spacing: 3.81 mm (0.15 inch) ▶ Solder pin dimensions: 1 x 1 mm ▶ Color: orange

Mating direction to the PCB: 0°

Mating direction to the PCB: 90°

Double-deck ▶ Mating direction to the PCB: 0°

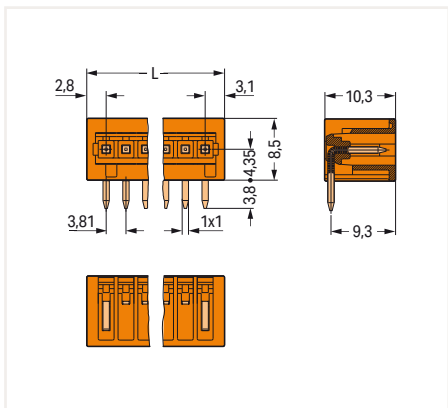


Pole No.	Item No.	PU
2	734-262	200
3	734-263	200
4	734-264	200
5	734-265	200
6	734-266	100
8	734-268	100
9	734-269	100
10	734-270	100
12	734-272	100
14	734-274	100
15	734-245	100
15	734-275	100
16	734-276	50
18	734-278	50
19	734-279	50
20	734-280	50

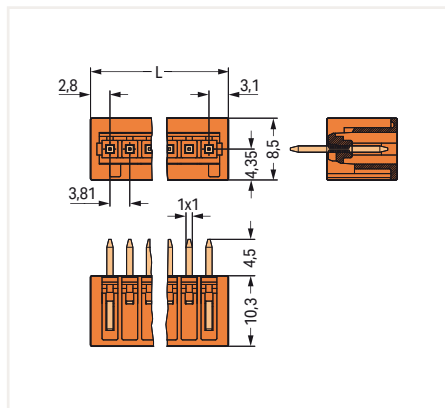
Pole No.	Item No.	PU
2	734-232	200
3	734-233	200
4	734-234	200
5	734-235	200
6	734-236	100
8	734-238	100
9	734-239	100
10	734-240	100
12	734-242	100
14	734-244	100
16	734-246	50
18	734-248	50
19	734-249	50
20	734-250	50

Pole No.	Item No.	PU
4	734-432	100
6	734-433	100
8	734-434	100
10	734-435	100
12	734-436	100
14	734-437	50
16	734-438	50
18	734-439	50
20	734-440	50
24	734-442	50

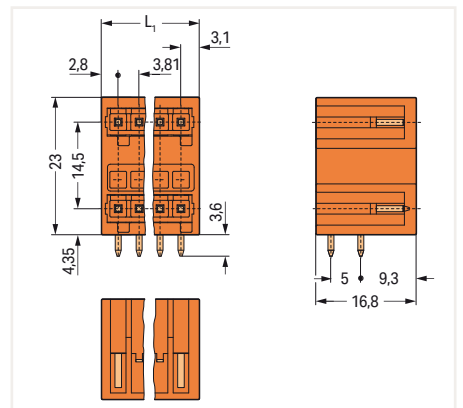
5



$L = (\text{pole no.} - 1) \times \text{pin spacing} + 5.9 \text{ mm}$



$L = (\text{pole no.} - 1) \times \text{pin spacing} + 5.9 \text{ mm}$



$L_1 = (\text{pole no.}/2 - 1) \times \text{pin spacing} + 5.9 \text{ mm}$

PU = Packaging Unit; SPU = Subpackaging Unit; Dimensions in mm

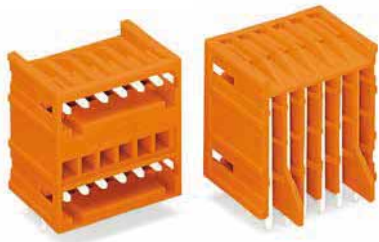
Other variants can be requested via the WAGO sales department or, if necessary, configured at <https://configurator.wago.com/>:

- Other pole numbers
- Gold-plated or partially gold-plated contact surfaces

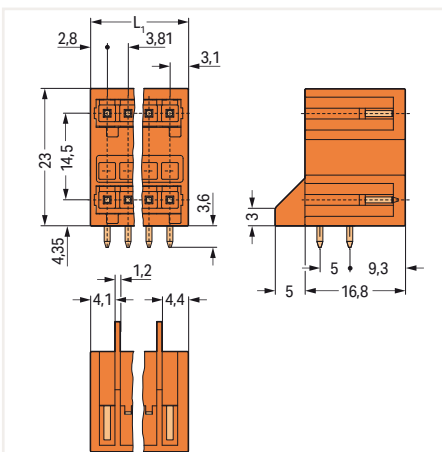
**THT Male Header ► MCS MINI ► 734 Series**

Pin spacing: 3.81 mm (0.15 inch) ► Solder pin dimensions: 1 x 1 mm ► Color: orange

Double-deck with support ► Mating direction to the PCB: 0°



Pole No.	Item No.	PU
4	734-432/001-000	100
6	734-433/001-000	100
7	734-437/001-000	50
8	734-434/001-000	100
10	734-435/001-000	100
12	734-436/001-000	50
16	734-438/001-000	50
18	734-439/001-000	50
20	734-440/001-000	50
24	734-442/001-000	50



$$L_1 = (\text{pole no.}/2 - 1) \times \text{pin spacing} + 5.9 \text{ mm}$$

PU = Packaging Unit; SPU = Subpackaging Unit; Dimensions in mm

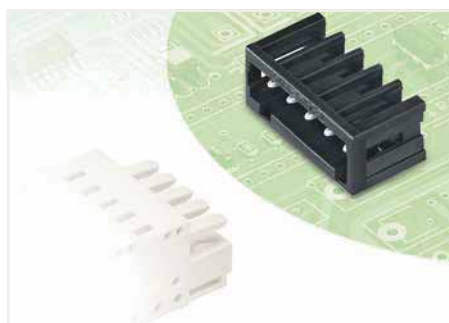
Other variants can be requested via the WAGO sales department or, if necessary, configured at <https://configurator.wago.com/>:

- Other pole numbers
- Gold-plated or partially gold-plated contact surfaces

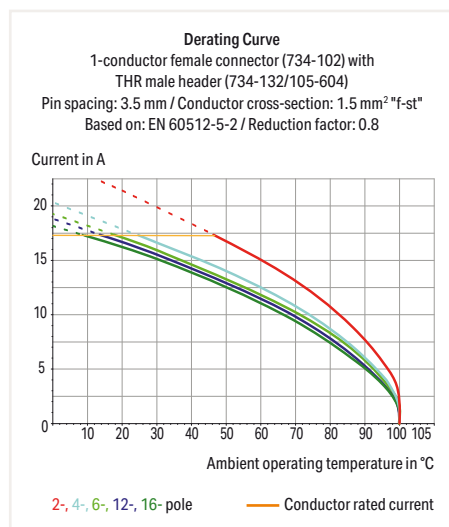


**THR Male Header ▶ MCS MINI ▶ 734 Series**

Pin spacing: 3.81 mm (0.15 inch) ▶ Solder pin dimensions: 1 x 1 mm ▶ Color: black



- THR male headers for reflow soldering in SMT applications
- Available in tape-and-reel packaging for automated pick-and-place PCB assembly
- Optimal thermal penetration via pin enclosure design provides lower soldering temperatures
- 100 % protected against mismatching
- Coding via coding fingers

**Electrical Data**

Ratings per	IEC/EN 60664-1		
Overvoltage category	III	III	II
Pollution degree	3	2	2
Rated voltage	160 V	160 V	320 V
Rated impulse voltage	2.5 kV	2.5 kV	2.5 kV
Rated current	10 A	10 A	10 A

**Material Data**

Material group	I
Insulating material	Polyphtalamide (PPA GF)
Flammability class per UL94	V0
Contact material	Electrolytic copper (Ecu)
Contact plating	Tin-plated

**Mechanical Data**

Solder pin arrangement	Over the entire male connector, in line
Solder pin length	2.4 mm
Solder pin dimensions	1 x 1 mm
Plated through-hole diameter (THR)	1.4 <sup>(+0.1)</sup> mm
Reel diameter of tape-and-reel packaging	330 mm

**Environmental Requirements**

Limit temperature range	-60 ... +100 °C
-------------------------	-----------------

The *MULTI CONNECTION SYSTEM (MCS)* is designed without breaking capacity for compliance with DIN EN 61984. When used as intended, MCS Connectors shall not be connected/disconnected when live or under load. The circuit design should ensure header pins, which can be touched, are not live when unmated.

THR-soldering process Page 372

Coding Page 408

Additional information, see "Technical Section"

Approvals and corresponding ratings, visit [www.wago.com](http://www.wago.com)

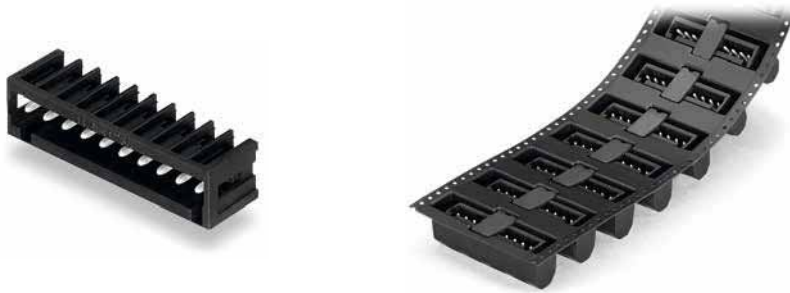


# THR Male Header ▶ MCS MINI ▶ 734 Series

Pin spacing: 3.81 mm (0.15 inch) ▶ Solder pin dimensions: 1 x 1 mm ▶ Color: black

Mating direction to the PCB: 0°

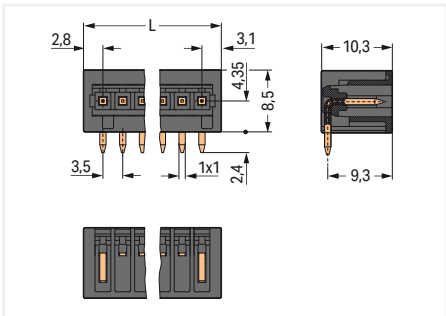
Suitable for automated assembly



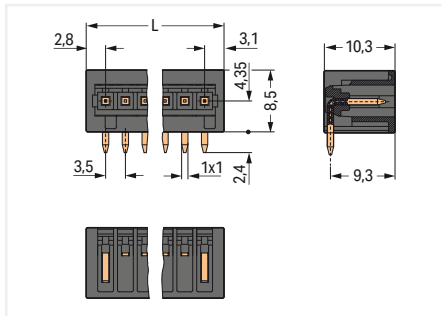
Pole No.	Item No.	PU
2	734-262/105-604	200
3	734-263/105-604	200
4	734-264/105-604	200
5	734-265/105-604	200
6	734-266/105-604	100
8	734-268/105-604	100
9	734-269/105-604	100
10	734-270/105-604	100
12	734-272/105-604	100

Pole No.	Tape width	Item No.	PU
2	32 mm	734-262/105-604/997-405	280
3	32 mm	734-263/105-604/997-405	280
4	32 mm	734-264/105-604/997-405	280
5	56 mm	734-265/105-604/997-407	280
6	56 mm	734-266/105-604/997-407	280
8	56 mm	734-268/105-604/997-407	280
9	56 mm	734-269/105-604/997-407	280
10	56 mm	734-270/105-604/997-407	280
12	72 mm	734-272/105-604/997-408	280

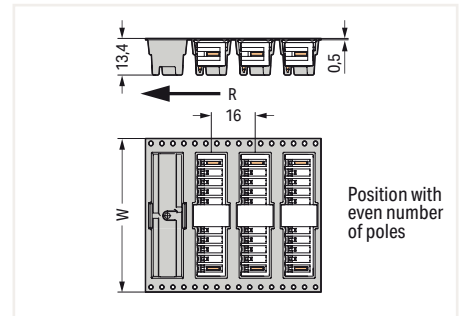
5



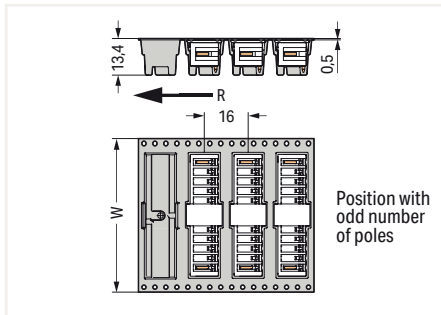
$L = (\text{pole no.} - 1) \times \text{pin spacing} + 5.9 \text{ mm}$



$L = (\text{pole no.} - 1) \times \text{pin spacing} + 5.9 \text{ mm}$



W= Tape width  
R = Feed direction



W= Tape width  
R = Feed direction

PU = Packaging Unit; SPU = Subpackaging Unit; Dimensions in mm

Other variants can be requested via the WAGO sales department or, if necessary, configured at <https://configurator.wago.com/>:

- Other pole numbers
- Other solder pin lengths
- Gold-plated or partially gold-plated contact surfaces

# THR Male Header ▶ MCS MINI ▶ 734 Series

Pin spacing: 3.81 mm (0.15 inch) ▶ Solder pin dimensions: 1 x 1 mm ▶ Color: black

Mating direction to the PCB: 90°

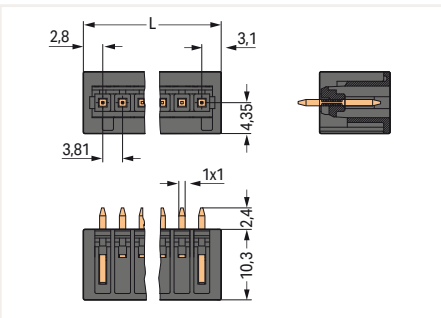
Suitable for automated assembly



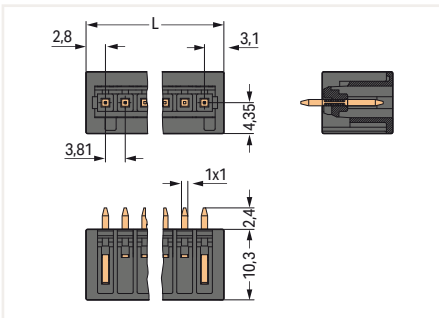
Pole No.	Item No.	PU
2	734-232/105-604	200
3	734-233/105-604	200
4	734-234/105-604	200
5	734-235/105-604	200
6	734-236/105-604	100
8	734-238/105-604	100
9	734-239/105-604	100
10	734-240/105-604	100
12	734-242/105-604	100

Pole No.	Tape width	Item No.	PU
2	32 mm	734-232/105-604/997-405	200
3	32 mm	734-233/105-604/997-405	200
4	32 mm	734-234/105-604/997-405	200
5	56 mm	734-235/105-604/997-407	200
6	56 mm	734-236/105-604/997-407	200
8	56 mm	734-238/105-604/997-407	200
10	56 mm	734-240/105-604/997-407	200
12	72 mm	734-242/105-604/997-408	200

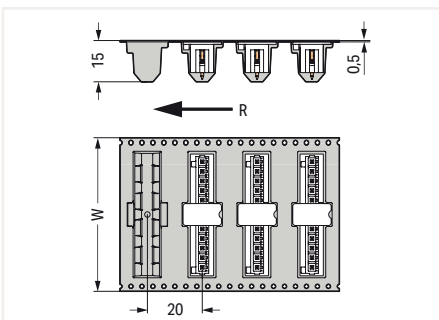
5



$L = (\text{pole no.} - 1) \times \text{pin spacing} + 5.9 \text{ mm}$



$L = (\text{pole no.} - 1) \times \text{pin spacing} + 5.9 \text{ mm}$



W = Tape width  
R = Feed direction

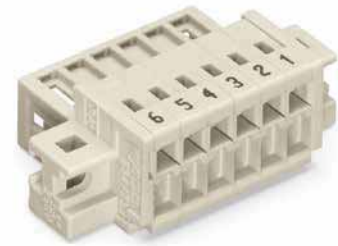
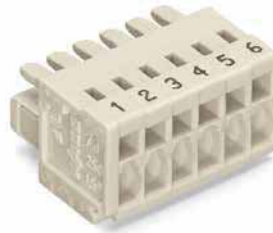
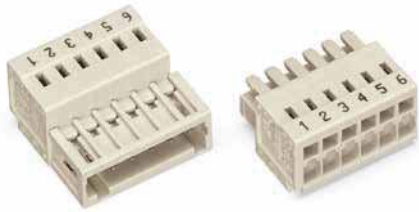
PU = Packaging Unit; SPU = Subpackaging Unit; Dimensions in mm

Other variants can be requested via the WAGO sales department or, if necessary, configured at <https://configurator.wago.com/>:

- Other pole numbers
- Other solder pin lengths
- Gold-plated or partially gold-plated contact surfaces



# Direct Marking MCS MINI



The pole numbers of male and female connectors for CAGE CLAMP® termination can be marked via factory direct marking.

Two standard marking orientations are available:

1. Marking perpendicular to conductor entry
2. Marking parallel to conductor entry

Other custom marking options are available upon request.

Direct marking is not suitable for MCS PCB Male Headers. WAGO recommends pole marking on the PCB for these headers.

Female headers with solder pins are exposed to aggressive flux agents during wave soldering. Select direct marking procedures are available upon request for these items.

The marking type is always defined by the second 4-digit block of the item no. suffix for items with standard colors and materials.

Example: 734-106/... - xxxx

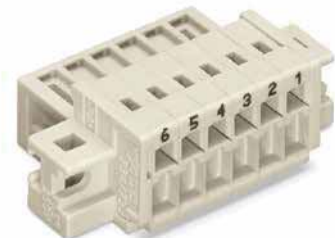
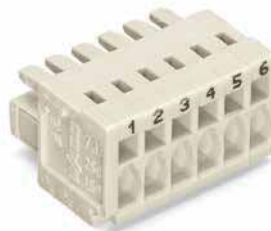
xxxx = Item no. suffix for direct marking

Direct marking of 1-conductor female connectors, perpendicular to conductor entry, 1 ... pole no., item no. suffix.: /... - 047

Version	Item No. Example
1-cond. female connector, 6-pole, light gray	734-106/000-047
1-cond. female connector, with locking levers, 6-pole, light gray	734-106/037-047
1-cond. female connector, with strain relief plate, 6-pole, light gray	734-106/033-047
1-cond. female connector, with locking levers and strain relief plate, 6-pole, light gray	734-106/037-047/033-000

Direct marking of 1-conductor male connectors, perpendicular to conductor entry, pole no. ... 1, item no. suffix.: /... - 044

Version	Item No. Example
1-cond. male connector, 6-pole, light gray	734-306/000-044
1-cond. male connector, with mounting flanges, 6-pole, light gray	734-306/019-044
1-cond. male connector, with mounting flanges and strain relief plate, 6-pole, light gray	734-306/019-044/033-000



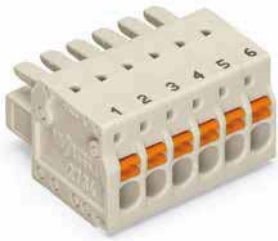
Direct marking of 1-conductor female connectors, parallel to conductor entry, 1 ... pole no., item no. suffix.: /... - 9037

Version	Item No. Example
1-cond. female connector, 6-pole, light gray	734-106/000-9037
1-cond. female connector, with locking levers, 6-pole, light gray	734-106/037-9037
1-cond. female connector, with strain relief plate, 6-pole, light gray	734-106/033-9037
1-cond. female connector, with locking levers and strain relief plate, 6-pole, light gray	734-106/037-9037/033-000

Direct marking of 1-conductor male connectors, parallel to conductor entry, pole no. ... 1, item no. suffix.: /... - 9034

Version	Item No. Example
1-cond. male connector, 6-pole, light gray	734-306/000-9034
1-cond. male connector, with mounting flanges, 6-pole, light gray	734-306/019-9034
1-cond. male connector, with mounting flanges and strain relief plate, 6-pole, light gray	734-306/019-9034/033-000

## Direct Marking MCS MINI

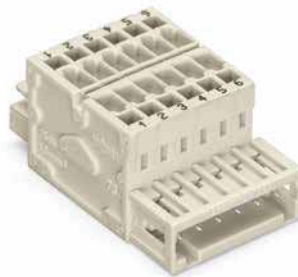


Direct marking of 1-conductor female connectors with, push-buttons, perpendicular to conductor entry, 1 ... pole no., item no. suffix.: /... - 047

Version	Item No. Example
1-conductor female connector, with push-buttons, 6-pole, light gray	2734-106/000-047
1-conductor female connector, with push-buttons and locking levers, 6-pole, light gray	2734-106/037-047
1-conductor female connector, with push-buttons and strain relief plate, 6-pole, light gray	2734-106/033-047
1-conductor female connector, with push-buttons, locking levers and strain relief plate, 6-pole, light gray	2734-106/037-047/ 033-0000

Direct marking of 2-conductor combi strips, perpendicular to conductor entry, 1 ... pole no., item no. suffix.: /... - 047

Version	Item No. Example
2-conductor combi strip, 6-pole, light gray	734-366/000-047
2-conductor combi strip, with locking levers, 6-pole, light gray	734-366/037-047
2-conductor combi strip, with locking levers and strain relief plate, 6-pole, light gray	734-366/037-047/033-000



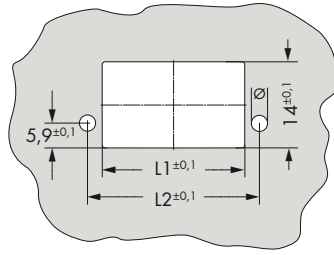
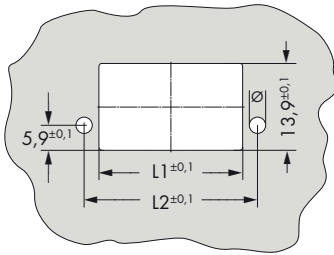
Direct marking of 1-conductor female connectors with, push-buttons, parallel to conductor entry, 1 ... pole no., item no. suffix.: /... - 9037

Version	Item No. Example
1-conductor female connector, with push-buttons, 6-pole, light gray	2734-106/000-9037
1-conductor female connector, with push-buttons and locking levers, 6-pole, light gray	2734-106/037-9037
1-conductor female connector, with push-buttons and strain relief plate, 6-pole, light gray	2734-106/033-9037
1-conductor female connector, with push-buttons, locking levers and strain relief plate, 6-pole, light gray	2734-106/037-9037/ 033-000

Direct marking of 2-conductor combi strips, parallel to conductor entry, 1 ... pole no., item no. suffix.: /... - 9037

Version	Item No. Example
2-conductor combi strip, 6-pole, light gray	734-366/000-9037
2-conductor combi strip, with locking levers, 6-pole, light gray	734-366/037-9037
2-conductor combi strip, with locking levers and strain relief plate, 6-pole, light gray	734-366/037-9037/033-000

# Cutout Dimensions MCS MINI



**Table 1**  
Cutout for male connectors  
with mounting flanges (734 Series)

Pole No.	Pin Spacing: 3.5 mm		Pin Spacing: 3.81 mm	
	L1	L2	L1	L2
2	9.8	15.5	10.1	16.1
3	13.3	19	13.9	19.9
4	16.8	22.5	17.7	23.7
5	20.3	26	21.5	27.6
6	24	29.4	25.6	31.3
7	27.5	32.9	29.4	35.1
8	31	36.4	33.2	38.9
9	34.5	39.9	37	42.7
10	38	43.4	40.8	46.5
11	41.5	46.9	44.6	50.3
12	45	50.4	48.4	54.1
13	48.8	53.8	52.5	57.8
14	52.3	57.3	56.3	61.6
15	55.8	60.8	60.1	65.5
16	59.3	64.3	64	69.3
17	62.8	67.8	67.8	73.1
18	66.3	71.3	71.6	76.9
19	69.9	74.7	75.5	80.6
20	73.4	78.2	79.3	84.4
21	76.9	81.7	83.1	88.2
22	80.4	85.2	86.9	92
23	83.9	88.7	90.7	95.8
24	87.4	92.2	94.5	99.6

**Table 2**  
Cutout for female connectors  
with mounting flanges (2734 Series)

Pole No.	Pin Spacing: 3.5 mm		Pin Spacing: 3.81 mm	
	L1	L2	L1	L2
2	10.4	15.5	11	16.1
3	13.9	19	14.8	19.9
4	17.4	22.5	18.6	23.7
5	20.9	26	22.5	27.6
6	24.6	29.4	26.5	31.3
7	28.1	32.9	30.3	35.1
8	31.6	36.4	34.1	38.9
9	35.1	39.9	37.9	42.7
10	38.6	43.4	41.7	46.5
11	42.1	46.9	45.5	50.3
12	45.6	50.4	49.3	54.1
13	49.4	53.8	53.4	57.8
14	52.9	57.3	57.2	61.6
15	56.4	60.8	61.1	65.5
16	59.9	64.3	64.9	69.3
17	63.4	67.8	68.7	73.1
18	66.9	71.3	72.5	76.9
19	70.5	74.7	76.4	80.6
20	74	78.2	80.2	84.4
21	77.5	81.7	84	88.2
22	81	85.2	87.8	92
23	84.5	88.7	91.6	95.8
24	88	92.2	95.4	99.6

Self-tapping screws  
for 1.8 mm ± 0.1 mm Ø mounting hole

Dimensions	Item No.	Pack. Unit
B 2.2 x 9.5 mm	209-147	200 (100)
B 2.2 x 13 mm	231-194	200 (100)

Screws with nuts,  
for 2.5 mm ± 0.1 mm Ø mounting hole

Dimensions	Item No.	Pack. Unit
M 2 x 12 mm	231-195	200 (100)

Screws with nuts,  
for 3.0 mm ± 0.1 mm Ø mounting hole

Dimensions	Item No.	Pack. Unit
M 2.5 x 10 mm	231-295	200 (100)

Dimensions (in mm)  
Drilled hole Ø depends on the type of screw used (see mounting screws).

PU = Packaging Unit; SPU = Subpackaging Unit; Dimensions in mm

Additional information on through-panel mounting and cutout dimensions is available upon request.



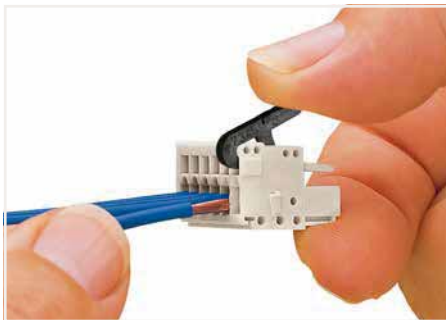
# Operating tools MCS MINI



Operating lever, for male and female connectors with CAGE CLAMP® connection		
Color	Item No.	PU (SPU)
○ natural	734-230	100 (25)
● black	734-191	100 (25)

Operating tool, for male and female connectors with CAGE CLAMP® connection		
Color	Item No.	PU (SPU)
○ natural	734-190	100 (25)
● black	734-231	100 (25)

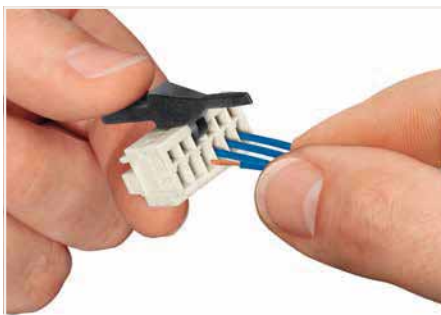
5



Inserting a conductor via operating lever.



Conductor termination parallel to CAGE CLAMP® actuation



Conductor termination perpendicular to CAGE CLAMP® actuation



# Insulation Stop and Finger Guard MCS MINI



Insulation stop, for conductor cross-sections from 0.08 ... 0.2 mm<sup>2</sup> "s" (0.14 mm<sup>2</sup> "f-st")  
8 pcs/strip, 3.5 mm pin spacing

Color	Item No.	PU (SPU)
○ white	734-671	200 (25)

Finger guard, for THT male headers, 4-pole, 3.5/8.81 mm pin spacing

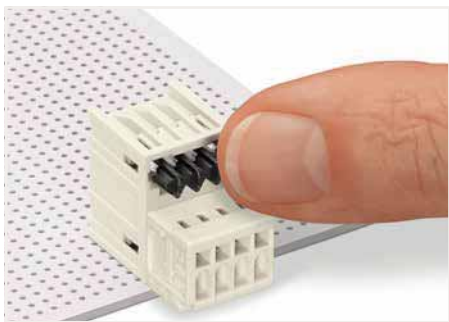
Color	Item No.	PU (SPU)
● black	734-420	100 (25)



Conductors with small cross-sections are highly flexible, and they deform when pushed against the conductor stop in connectors. As a result, the conductor insulation – not the copper conductor – may be clamped, causing intermittent contact or no contact at all.  
The solution: an insulation stop for CAGE CLAMP®-equipped 734 Series Male and Female Connectors.



Finger guards provide touch-proof protection (IP20).



Insert the finger guard into the male header to be protected.



Cut finger guard to the required number of poles. Do not use single-pole covers!

PU = Packaging Unit; SPU = Subpackaging Unit; Dimensions in mm

# Coding Keys

## MCS MINI



Coding key; for male headers; 3.5/3.81 mm pin spacing

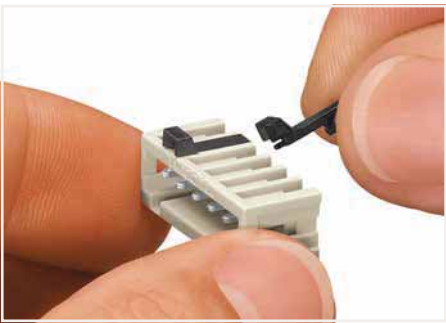
Color	Item No.	PU
○ white	734-130	100
● black*	734-159	100

Coding key; for double-deck THT male headers; to be snapped in bottom level; 3.5/3.81 mm pin spacing

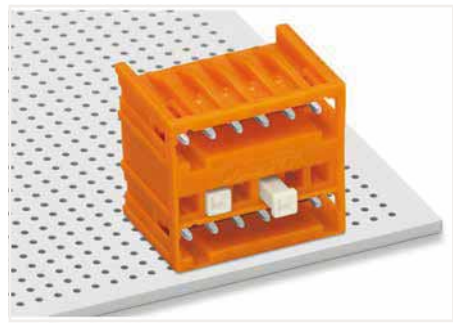
Color	Item No.	PU
○ light gray	734-400	100

\*suitable for THR soldering

5



Coding a male header via snap-on coding keys.



Coding a THT double-deck male header – lower level.

# Strain Relief Plates MCS MINI



Strain relief plate; for field assembly; for male and female connectors with CAGE CLAMP® and Push-in CAGE CLAMP® connection; light gray; 3.5 mm pin spacing

Pole No.	Width	Item No.	PU (SPU)
2 ... 3	6 mm	734-127	100 (25)
4 ... 8	12.5 mm	734-128	100 (25)
9 ... 12	25 mm	734-129	100 (25)
13 ... 16	35 mm	734-126	100 (25)
17 ... max.	55 mm	734-426	50 (25)

Strain relief plate; for field assembly; for male and female connectors with CAGE CLAMP® and Push-in CAGE CLAMP® connection; orange; 3.81 mm pin spacing

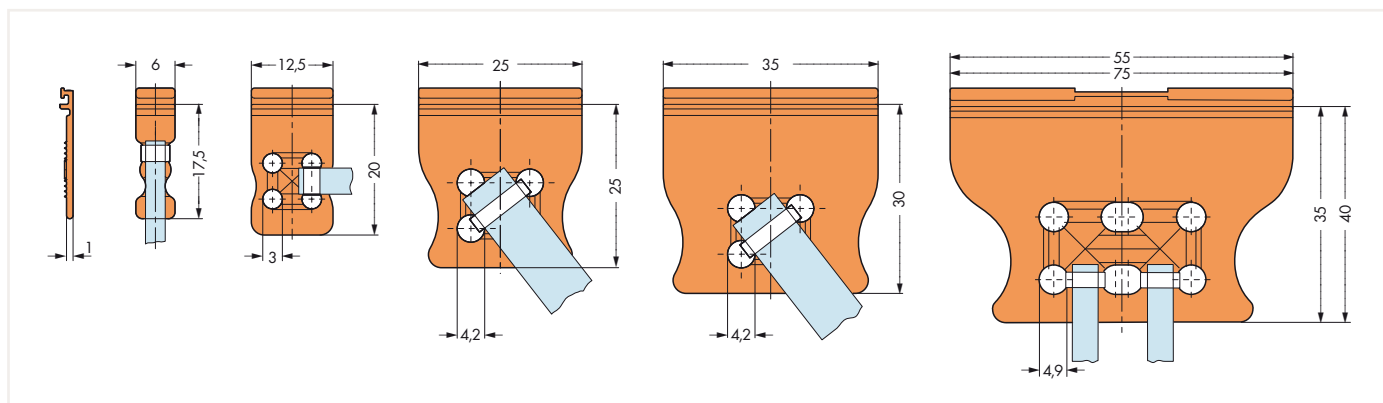
Pole No.	Width	Item No.	PU (SPU)
2 ... 3	6 mm	734-227	100 (25)
4 ... 8	12.5 mm	734-228	100 (25)
9 ... 12	25 mm	734-229	100 (25)
13 ... 16	35 mm	734-226	100 (25)
17 ... max.	55 mm	734-428	50 (25)

Strain relief plate; factory-assembled; for male and female connectors with CAGE CLAMP® and Push-in CAGE CLAMP® connection; light gray

Pole No.	Width	Item No. Suffix *
2 ... 3	6 mm	.../032-000
4 ... 8	12.5 mm	.../033-000
9 ... 12	25 mm	.../034-000
13 ... 16	35 mm	.../035-000
17 ... max.	55 mm	.../036-000

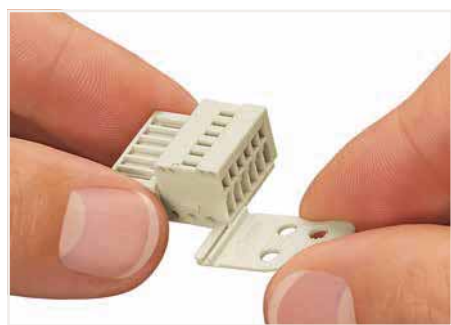
\*An "item no. suffix," referring to the width of the strain relief plate, is added to the "basic item no." and determines the type of male or female connector.

5



The arrangement of the attachments for cable ties allows single conductors or multi-core cables to be secured in different ways. The width of the cable ties must correspond to the hole dimensions of the strain relief plates shown above.

Cable ties and binding tools are not offered by WAGO.



Strain relief plate for field assembly

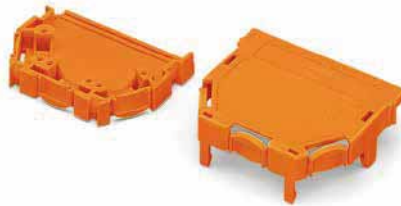


Sample order:  
1-conductor female connector with push-buttons;  
3.5 mm pin spacing; 8-pole; light gray;  
with strain relief plate: 2734-108/033-000

PU = Packaging Unit; SPU = Subpackaging Unit; Dimensions in mm

# Strain Relief Housings MCS MINI

5



Snap-on type strain relief housing; consisting of strain relief support and housing; light gray; 3.5 mm pin spacing

Pole No.	Item No.	PU
2	734-602	50
3	734-603	25
4	734-604	25
5	734-605	25
6	734-606	25
7	734-607	25
8	734-608	25
9	734-609	25
10	734-610	25
11	734-611	25
12	734-612	25

Snap-on type strain relief housing; consisting of strain relief support and housing; orange; 3.81 mm pin spacing

Pole No.	Item No.	PU
2	734-632	50
3	734-633	25
4	734-634	25
5	734-635	25
6	734-636	25
8	734-638	25
9	734-639	25
10	734-640	25
12	734-642	25

Cable clamp; for 6-12 pole strain relief

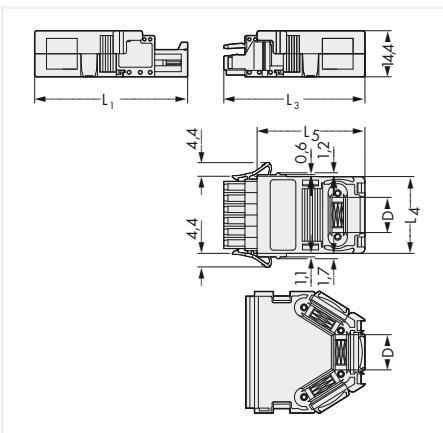
Item No.	PU
209-177	25



Mounting screws; for cable clamp

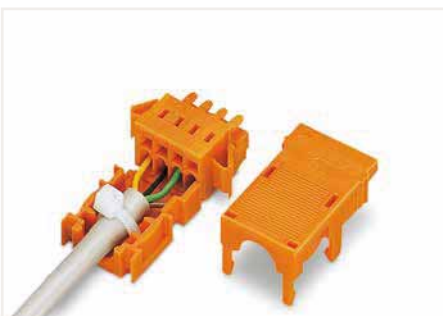
Item No.	PU
209-172	50

2- to 5-pole; only suitable for cable ties; 1 cable outlet (rear side); max. cable tie width 3.6 mm;  
6- to 9-pole; suitable for cable clamp; 1 x cable outlet (rear side);  
10- to 12-pole; suitable for cable clamp; 1 x cable outlet (rear side) and 2 x cable outlets (side);  
Removable built-in lockout caps

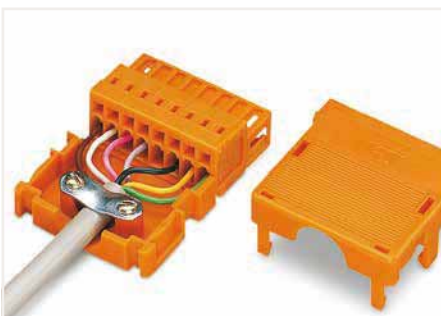


Strain Relief Housing Dimensions (in mm):

Pole No.	L <sub>4</sub> (3,5 mm)	L <sub>4</sub> (3,81 mm)	L <sub>3</sub>	L <sub>1</sub>	L <sub>5</sub>	D
2	10.0	10.6	43.1	46.8	32.7	5.0
3	13.5	14.4	43.1	46.8	32.7	8.5
4	17.0	18.2	43.1	46.8	32.7	8.5
5	20.5	22.0	43.1	46.8	32.7	8.5
6	24.0	25.9	44.1	47.8	33.7	11.5
7	27.5	-	44.1	47.8	33.7	11.5
8	31.0	33.5	44.1	47.8	33.7	11.5
9	34.5	37.3	44.1	47.8	33.7	11.5
10	38.0	41.1	53.1	56.8	42.7	11.5
11	41.5	-	53.1	56.8	42.7	11.5
12	45.0	48.7	53.1	56.8	42.7	11.5



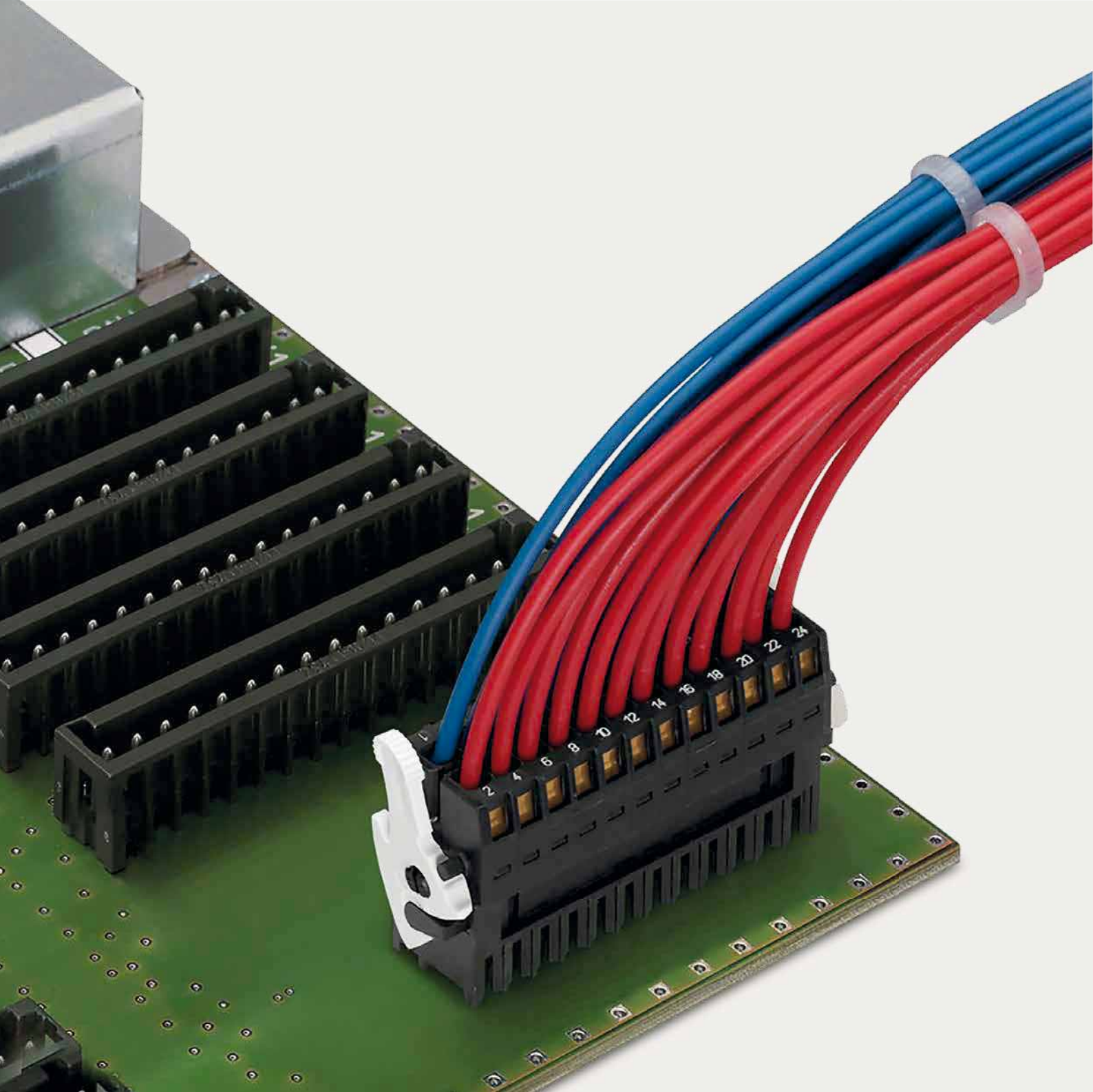
4-pole; 1-conductor female connector; with locking levers and strain relief housing (2- to 5-pole strain relief housing suitable only for cable ties)



8-pole; 1-conductor male connector; with strain relief housing (6- to 12-pole strain relief housings suitable for cable clamp)

PU = Packaging Unit; SPU = Subpackaging Unit; Dimensions in mm




5



# **WAGO MULTI CONNECTION SYSTEM MINI HD**

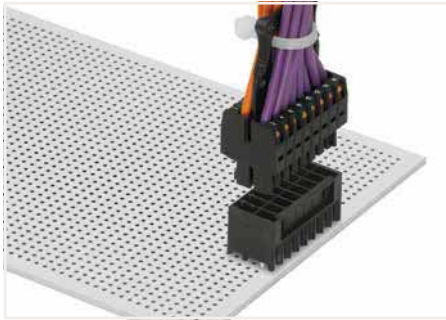
# WAGO *MULTI CONNECTION SYSTEM* MINI HD

## Pin Spacing: 3.5 mm / Nominal Cross-Section: 1.5 mm<sup>2</sup>

	Page	
	<p>MCS MINI HD 2-Conductor Female Connectors ▶ Actuation type: Operating tool ▶ CAGE CLAMP®</p>	416
	<p>MCS MINI HD THT Male Header, 2-Rows  THR Male Header, 2-Rows</p>	418  424
	<p>MCS MINI HD Accessories  Accessories and Tools</p>	434  829

# MCS MINI HD

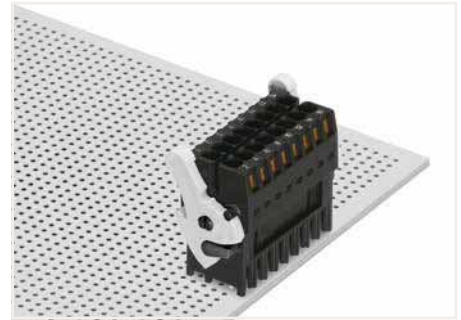
## Description and Installation



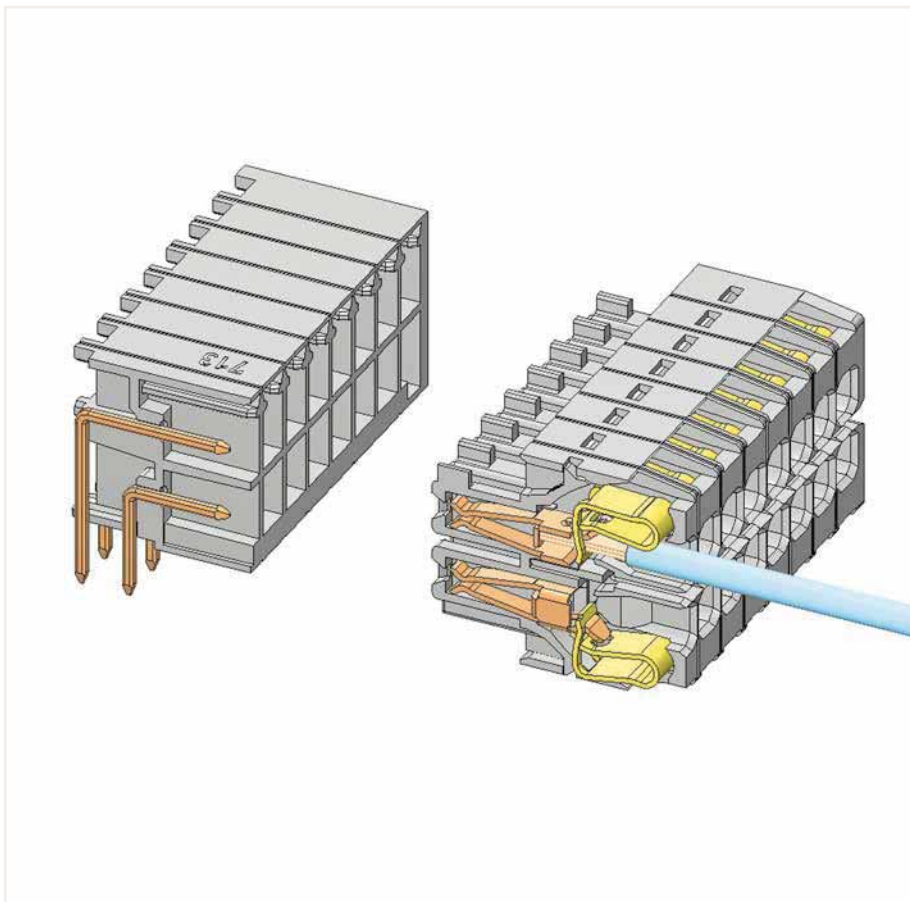
Centered strain relief plate anchors conductors for easy disconnection.



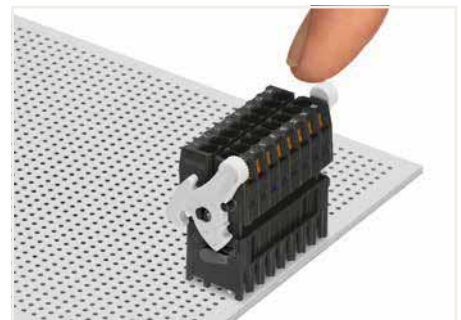
Inserting a conductor via (2.5 x 0.4) mm screwdriver.



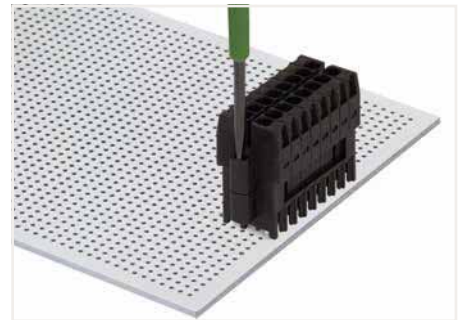
Lever as a lock – when closed, female connector is locked.



Pin spacing: 3.5 mm



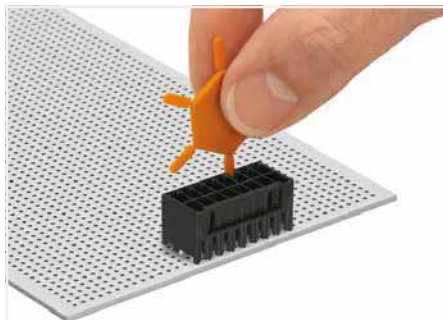
Lever as a disconnection aid – when opened, female connector is disconnected. Rotating the lever lifts the female connector out of the male header.



Screw interlock can only be disconnected using a tool.



Pole marking via self-adhesive strips or direct marking.



Coding a male header by inserting a coding pin.



Coding a female connector by removing coding finger(s).

6



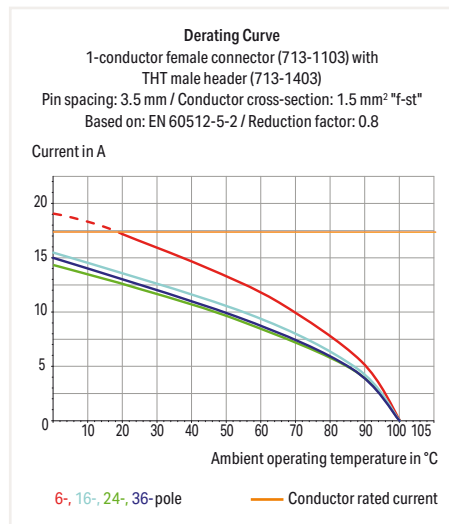


## 2-Conductor Female Connector ▶ MCS MINI HD ▶ 713 Series

Pin spacing: 3.5 mm (0.138 inch) ▶ Actuation type: Operating tool ▶ CAGE CLAMP® ▶ Color: black



- Universal connection for all conductor types
- Unique, compact, double-row connector system for conductor cross-sections up to 1.5 mm<sup>2</sup>
- High-density, wire-to-board connections in very confined spaces
- Centered strain relief plate anchors conductors, while acting as convenient connection and disconnection handle. It also provides easy access to operating slots – even when wired
- Optional dual-purpose lever doubles as a lock and disconnection aid, while preventing accidental disconnection in closed position
- Coding fingers provide 100 % protection against mismatching



### Electrical Data

Locking of plug-in connection	IEC/EN 60664-1			Screw flange / Locking lever		
	III	II	I	III	II	I
Ratings per	IEC/EN 60664-1			IEC/EN 60664-1		
Overvoltage category	III	II	I	III	II	I
Pollution degree	3	2	2	3	2	2
Rated voltage	80 V	160 V	250 V	80 V	160 V	250 V
Rated impulse voltage	2.5 kV	2.5 kV	2.5 kV	2.5 kV	2.5 kV	2.5 kV
Rated current	10 A	10 A	10 A	10 A	10 A	10 A
Approvals per	UL 1059			UL 1059		
Use Group	B	C	D	B	C	D
Rated voltage	300 V	50 V	-	300 V	50 V	-
Rated current	10 A	10 A	-	10 A	10 A	-
Approvals per	CSA			CSA		
Use Group	B	C	D	B	C	D
Rated voltage	300 V	-	-	300 V	-	-
Rated current	10 A	-	-	10 A	-	-

### Connection Data

Connection technology	CAGE CLAMP®
Strip length	6 ... 7 mm / 0.24 ... 0.28 inch
Solid conductor	0.08 ... 1.5 mm <sup>2</sup> / 28 ... 16 AWG
Fine-stranded conductor	0.08 ... 1.5 mm <sup>2</sup> / 28 ... 16 AWG
Fine-stranded conductor with ferrule with plastic collar	0.25 ... 1 mm <sup>2</sup>
Fine-stranded conductor with ferrule without plastic collar	0.25 ... 1 mm <sup>2</sup>

### Material Data

Material group	II
Insulating material	Glass fiber-reinforced polyamide (PA 66 GF)
Flammability class per UL94	V0
Clamping spring material	Chrome nickel spring steel (CrNi)
Contact material	Copper alloy
Contact plating	Tin-plated

### Environmental Requirements

Limit temperature range	-60 ... +100 °C
-------------------------	-----------------

The *MULTI CONNECTION SYSTEM (MCS)* is designed without breaking capacity for compliance with DIN EN 61984. When used as intended, MCS Connectors shall not be connected/disconnected when live or under load. The circuit design should ensure header pins, which can be touched, are not live when unmated.

Ferrule	Page 847
Strain relief	Page 434
Tools	Page 838
Direct marking	Page 432
Additional information, see "Technical Section"	
Approvals and corresponding ratings, visit <a href="http://www.wago.com">www.wago.com</a>	

## 2-Conductor Female Connector ▶ MCS MINI HD ▶ 713 Series

Pin spacing: 3.5 mm (0.138 inch) ▶ Actuation type: Operating tool ▶ CAGE CLAMP® ▶ Color: black

Locking of plug-in connection: Screw flange

Locking of plug-in connection: Locking lever

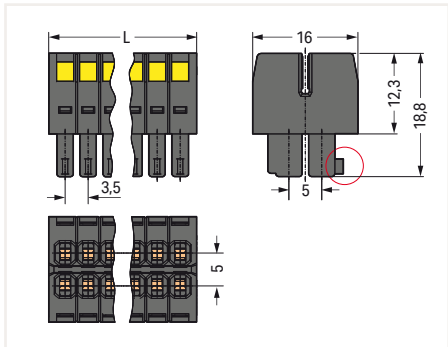


Pole No.	Item No.	PU
6	713-1103	100
8	713-1104	50
10	713-1105	50
12	713-1106	50
14	713-1107	50
16	713-1108	25
18	713-1109	25
20	713-1110	25
22	713-1111	25
24	713-1112	25
26	713-1113	25
28	713-1114	20
30	713-1115	20
32	713-1116	20
34	713-1117	20
36	713-1118	20

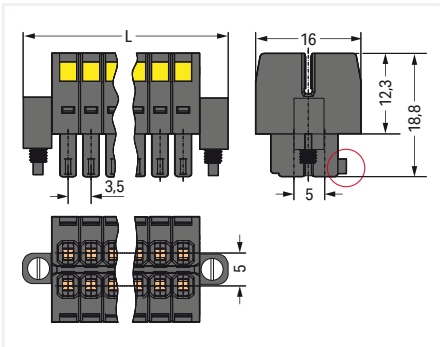
Pole No.	Item No.	PU
6	713-1103/107-000	50
8	713-1104/107-000	50
10	713-1105/107-000	25
12	713-1106/107-000	25
14	713-1107/107-000	25
16	713-1108/107-000	25
18	713-1109/107-000	25
20	713-1110/107-000	20
22	713-1111/107-000	20
24	713-1112/107-000	20
26	713-1113/107-000	20
28	713-1114/107-000	20
30	713-1115/107-000	20
32	713-1116/107-000	10
34	713-1117/107-000	10
36	713-1118/107-000	10

Pole No.	Item No.	PU
6	713-1103/037-000	50
8	713-1104/037-000	50
10	713-1105/037-000	50
12	713-1106/037-000	25
14	713-1107/037-000	25
16	713-1108/037-000	25
18	713-1109/037-000	25
20	713-1110/037-000	25
22	713-1111/037-000	20
24	713-1112/037-000	20
26	713-1113/037-000	20
28	713-1114/037-000	20
30	713-1115/037-000	20
32	713-1116/037-000	20
34	713-1117/037-000	10
36	713-1118/037-000	10

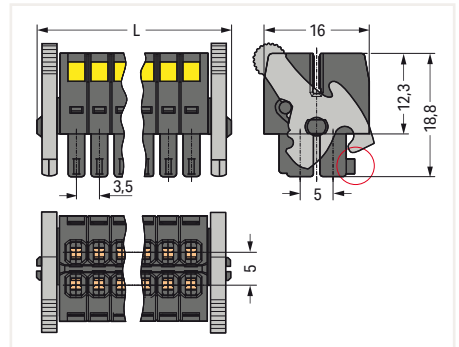
6



$L = [(pole\ no./2) - 1] \times pin\ spacing + 5.2\ mm$   
Coding finger (red circle)



$L = [(pole\ no./2) - 1] \times pin\ spacing + 13.6\ mm$   
Coding finger (red circle)



$L = [(pole\ no./2) - 1] \times pin\ spacing + 12.2\ mm$   
Coding finger (red circle)

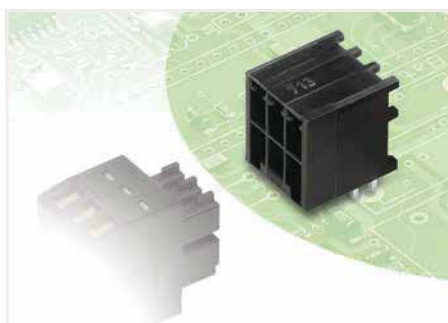
PU = Packaging Unit; SPU = Subpackaging Unit; Dimensions in mm

Other variants can be requested via the WAGO sales department or, if necessary, configured at <https://configurator.wago.com/>:

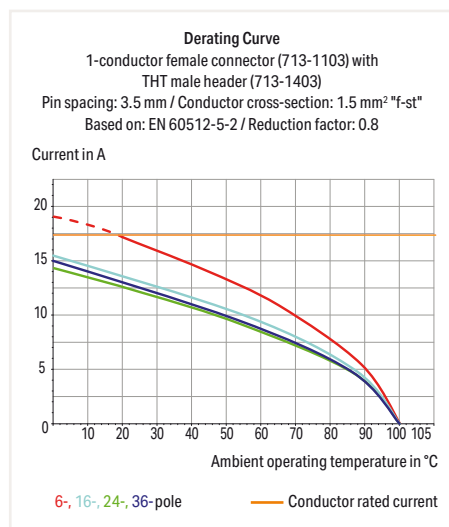
- Other pole numbers
- Gold-plated or partially gold-plated contact surfaces

**THT Male Header, 2-Row ▶ MCS MINI HD ▶ 713 Series**

Pin spacing: 3.5 mm (0.138 inch) ▶ Solder pin dimensions: 0.8 x 0.8 mm ▶ Color: black



- Male headers may be mounted horizontally or vertically via straight or angled solder pins
- Header housing is molded of THT-compatible insulation material for lead-free reflow soldering
- Separated pin slots prevent damage and make the headers touch-proof when unplugged
- 100 % protected against mismatching
- Coding pins available

**Electrical Data**

		IEC/EN 60664-1		
Ratings per		III	III	II
Overvoltage category		3	2	2
Pollution degree		3	2	2
Rated voltage		80 V	160 V	250 V
Rated impulse voltage		2.5 kV	2.5 kV	2.5 kV
Rated current		10 A	10 A	10 A
Approvals per		UL 1059		
Use Group		B	C	D
Rated voltage		150 V	50 V	-
Rated current		10 A	10 A	-
Approvals per		CSA		
Use Group		B	C	D
Rated voltage		150 V	-	-
Rated current		12 A	-	-

**Material Data**

Material group	I
Insulating material	Polyphtalamide (PPA GF)
Flammability class per UL94	V0
Contact material	Electrolytic copper (Ecu)
Contact plating	Tin-plated

**Mechanical Data**

Solder pin arrangement	Over the entire male connector, in line
Solder pin length	3.8 mm
Solder pin dimensions	0.8 x 0.8 mm
Drilled hole diameter (tolerance)	1.2 <sup>(+0.1)</sup> mm

**Environmental Requirements**

Limit temperature range	-60 ... +100 °C
-------------------------	-----------------

The *MULTI CONNECTION SYSTEM (MCS)* is designed without breaking capacity for compliance with DIN EN 61984. When used as intended, MCS Connectors shall not be connected/disconnected when live or under load. The circuit design should ensure header pins, which can be touched, are not live when unmated.

Coding Page 434

Additional information, see "Technical Section"

Approvals and corresponding ratings, visit [www.wago.com](http://www.wago.com)

# THT Male Header, 2-Row ▶ MCS MINI HD ▶ 713 Series

Pin spacing: 3.5 mm (0.138 inch) ▶ Solder pin dimensions: 0.8 x 0.8 mm ▶ Color: black

Mating direction to the PCB: 0°

Mating direction to the PCB: 90°

Locking of plug-in connection: Threaded flange ▶ Mating direction to the PCB: 0°

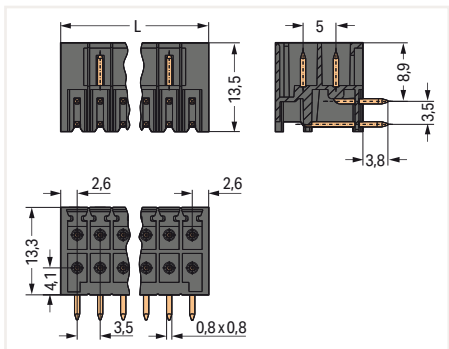


Pole No.	Item No.	PU
6	713-1423	100
8	713-1424	50
10	713-1425	50
12	713-1426	50
14	713-1427	50
16	713-1428	25
18	713-1429	25
20	713-1430	25
22	713-1431	25
24	713-1432	25
26	713-1433	25
28	713-1434	20
30	713-1435	20
32	713-1436	20
34	713-1437	20
36	713-1438	20

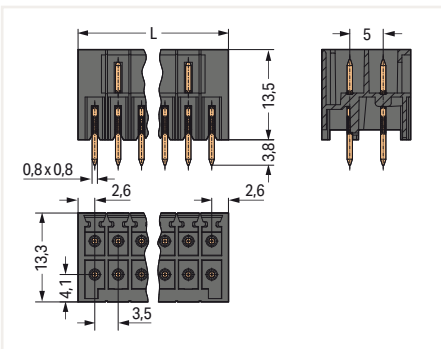
Pole No.	Item No.	PU
6	713-1403	100
8	713-1404	50
10	713-1405	50
12	713-1406	50
14	713-1407	50
16	713-1408	25
18	713-1409	25
20	713-1410	25
22	713-1411	25
24	713-1412	25
26	713-1413	25
28	713-1414	20
30	713-1415	20
32	713-1416	20
34	713-1417	20
36	713-1418	20

Pole No.	Item No.	PU
6	713-1423/107-000	50
8	713-1424/107-000	50
10	713-1425/107-000	25
12	713-1426/107-000	25
14	713-1427/107-000	25
16	713-1428/107-000	25
18	713-1429/107-000	25
20	713-1430/107-000	20
22	713-1431/107-000	20
24	713-1432/107-000	20
26	713-1433/107-000	20
28	713-1434/107-000	20
30	713-1435/107-000	20
32	713-1436/107-000	10
34	713-1437/107-000	10
36	713-1438/107-000	10

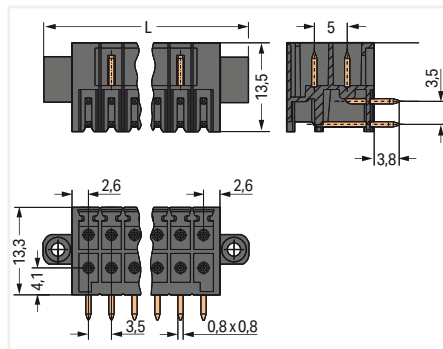
6



$L = [(pole\ no./2) - 1] \times pin\ spacing + 5.2\ mm$



$L = [(pole\ no./2) - 1] \times pin\ spacing + 5.2\ mm$



$L = [(pole\ no./2) - 1] \times pin\ spacing + 13.6\ mm$

PU = Packaging Unit; SPU = Subpackaging Unit; Dimensions in mm

Other variants can be requested via the WAGO sales department or, if necessary, configured at <https://configurator.wago.com/>:

- Other pole numbers
- Other solder pin lengths
- Gold-plated or partially gold-plated contact surfaces

# THT Male Header, 2-Row ▶ MCS MINI HD ▶ 713 Series

Pin spacing: 3.5 mm (0.138 inch) ▶ Solder pin dimensions: 0.8 x 0.8 mm ▶ Color: black

Locking of plug-in connection: Threaded flange ▶ Mating direction to the PCB: 90°

Locking of plug-in connection: Locking lever ▶ Mating direction to the PCB: 0°

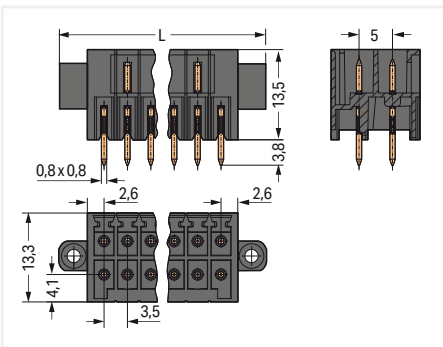
Locking of plug-in connection: Locking lever ▶ Mating direction to the PCB: 90°



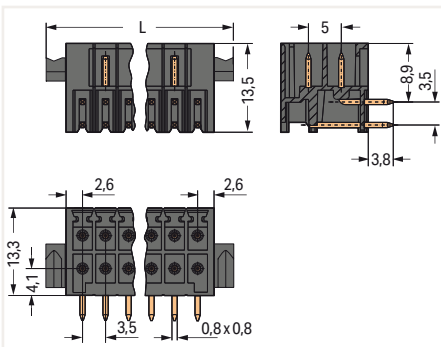
Pole No.	Item No.	PU
6	713-1403/107-000	50
8	713-1404/107-000	50
10	713-1405/107-000	25
12	713-1406/107-000	25
14	713-1407/107-000	25
16	713-1408/107-000	25
18	713-1409/107-000	25
20	713-1410/107-000	20
22	713-1411/107-000	20
24	713-1412/107-000	20
26	713-1413/107-000	20
28	713-1414/107-000	20
30	713-1415/107-000	20
32	713-1416/107-000	10
34	713-1417/107-000	10
36	713-1418/107-000	10

Pole No.	Item No.	PU
6	713-1423/037-000	50
8	713-1424/037-000	50
10	713-1425/037-000	50
12	713-1426/037-000	25
14	713-1427/037-000	25
16	713-1428/037-000	25
18	713-1429/037-000	25
20	713-1430/037-000	25
22	713-1431/037-000	20
24	713-1432/037-000	20
26	713-1433/037-000	20
28	713-1434/037-000	20
30	713-1435/037-000	20
32	713-1436/037-000	20
34	713-1437/037-000	10
36	713-1438/037-000	10

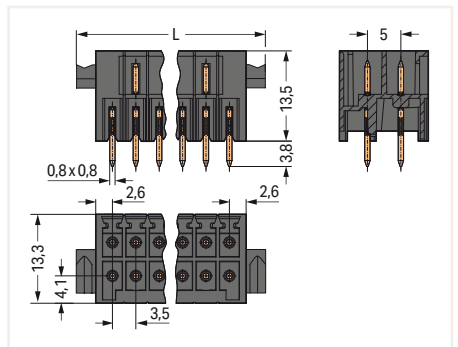
Pole No.	Item No.	PU
6	713-1403/037-000	50
8	713-1404/037-000	50
10	713-1405/037-000	50
12	713-1406/037-000	25
14	713-1407/037-000	25
16	713-1408/037-000	25
18	713-1409/037-000	25
20	713-1410/037-000	25
22	713-1411/037-000	20
24	713-1412/037-000	20
26	713-1413/037-000	20
28	713-1414/037-000	20
30	713-1415/037-000	20
32	713-1416/037-000	20
34	713-1417/037-000	10
36	713-1418/037-000	10



$$L = [(pole\ no./2) - 1] \times pin\ spacing + 13.6\ mm$$



$$L = [(pole\ no./2) - 1] \times pin\ spacing + 11.6\ mm$$



$$L = [(pole\ no./2) - 1] \times pin\ spacing + 11.6\ mm$$

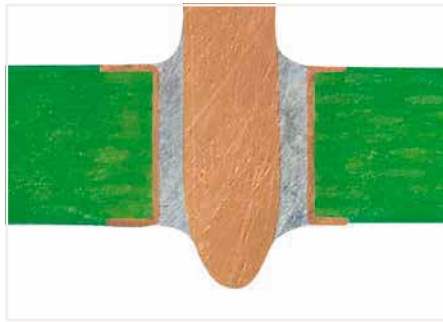
PU = Packaging Unit; SPU = Subpackaging Unit; Dimensions in mm

Other variants can be requested via the WAGO sales department or, if necessary, configured at <https://configurator.wago.com/>:

- Other pole numbers
- Other solder pin lengths
- Gold-plated or partially gold-plated contact surfaces



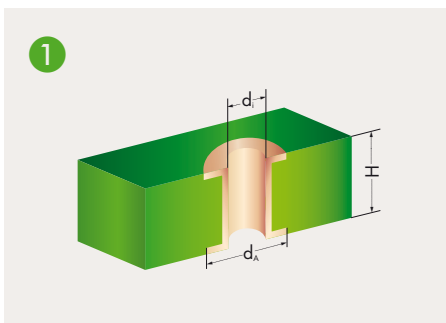
# THR (Through-Hole Reflow) Soldering Process



By using high-temperature-resistant plastic and a streamlined pin design, WAGO's THR male headers and PCB terminal blocks meet requirements for SMT process capability while maintaining the necessary stability. Both headers and terminal blocks are simply pushed into the solder paste-filled PCB holes and then soldered along with the SMT components via reflow soldering. The previous wave soldering process is no longer necessary. The result is a perfect connection – both mechanically and electrically.

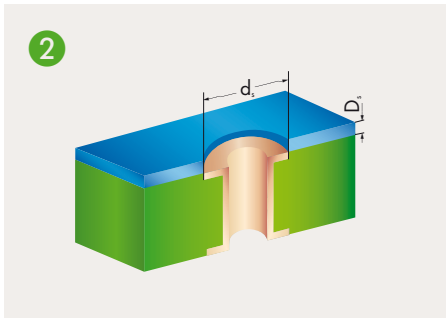
Terminal strips with an additional suction pad in tape-and-reel packaging per IEC 60286-3 WAGO recommends both a temperature profile that adheres to EN 61760-1 and the use of forced convection ovens for processing THR components.

6



Metal-plated PCB bore hole

Series	d <sub>i</sub> (mm)	d <sub>A</sub> (mm)	H (mm)	d <sub>s</sub> (mm)	D <sub>s</sub> (µm)	d (mm)	L (mm)
218	1,1 <sup>+0,1</sup>	1,9	< 2	1,8	150	0,9	2,8
231 (1 x 1 mm)	1,4 <sup>+0,1</sup>	2,5	< 2	2,4	150	1,2	2,4
231 (1,2 x 1,2 mm)	1,7 <sup>+0,1</sup>	2,8	< 2	2,7	150	1,5	2,4
236	1,1 <sup>+0,1</sup>	2,2	< 2	2,1	150	0,9	3,6
250	1,1 <sup>+0,1</sup>	2,0	< 2	1,9	150	0,9	3,6
713	1,2 <sup>+0,1</sup>	1,9	< 2	1,8	150	1,0	2,4
733	1,2 <sup>+0,1</sup>	1,9	< 2	1,8	150	1,0	2,4
734	1,4 <sup>+0,1</sup>	2,5	< 2	2,4	150	1,2	2,4
2060 THR	1,5 <sup>+0,1</sup>	2,4	< 2	2,3	150	1,25	2,4
2061 THR	1,5 <sup>+0,1</sup>	2,4	< 2	2,3	150	1,25	1,5/2,4



SMD positioning pattern

d<sub>i</sub>: Plated through-hole diameter

d<sub>A</sub>: Outer diameter of metal-plated PCB hole\*

H: PCB thickness

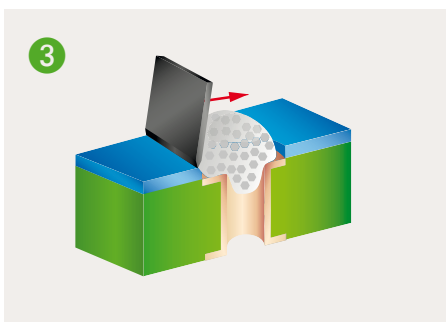
d<sub>s</sub>: Pattern hole diameter

D<sub>s</sub>: Pattern thickness

d: Pin diagonal

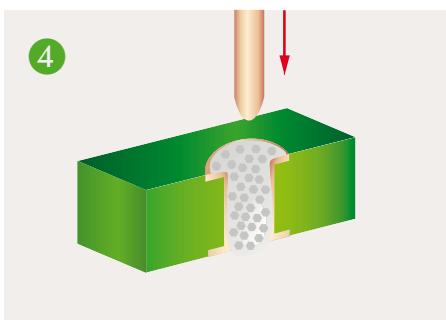
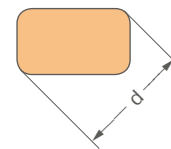
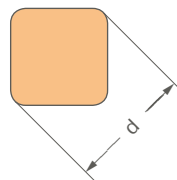
L: Pin length

\* When laying out the metal-plated bore holes, the clearance and creepage distance requirements – as specified in the equipment standards – must be considered.

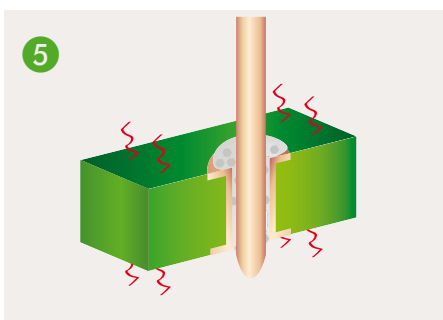


Solder paste application

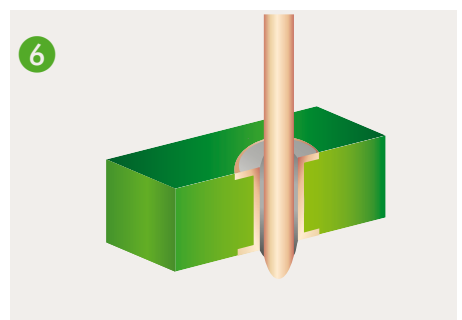
Soldering pin form



Component assembly, automatic/by hand



Reflow soldering process



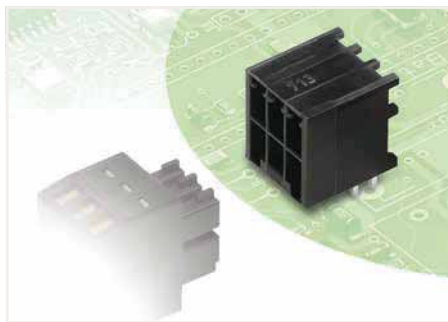
THR soldering joint



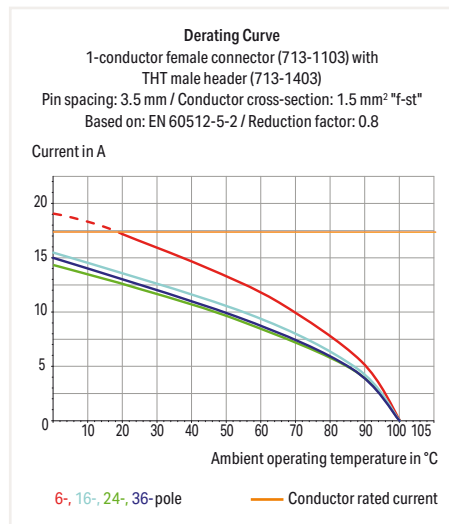


**THR Male Header, 2-Row ▶ MCS MINI HD ▶ 713 Series**

Pin spacing: 3.5 mm (0.138 inch) ▶ Solder pin dimensions: 0.8 x 0.8 mm ▶ Color: black



- THR male headers for reflow soldering in SMT applications
- Available in tape-and-reel packaging for automated pick-and-place PCB assembly
- Separated pin slots prevent damage and make the headers touch-proof when unplugged
- 100 % protected against mismatching
- Coding pins available

**Electrical Data**

Ratings per	IEC/EN 60664-1		
Overvoltage category	III	III	II
Pollution degree	3	2	2
Rated voltage	80 V	160 V	250 V
Rated impulse voltage	2.5 kV	2.5 kV	2.5 kV
Rated current	10 A	10 A	10 A
Approvals per	UL 1059		
Use Group	B	C	D
Rated voltage	150 V	50 V	-
Rated current	10 A	10 A	-
Approvals per	CSA		
Use Group	B	C	D
Rated voltage	150 V	-	-
Rated current	12 A	-	-

**Material Data**

Material group	I
Insulating material	Polyphthalamide (PPA GF)
Flammability class per UL94	V0
Contact material	Electrolytic copper (Ecu)
Contact plating	Tin-plated

**Mechanical Data**

Solder pin arrangement	Over the entire male connector, in line
Solder pin length	2.4 mm
Solder pin dimensions	0.8 x 0.8 mm
Drilled hole diameter (tolerance)	1.3 <sup>(+0.1)</sup> mm
Reel diameter of tape-and-reel packaging	330 mm

**Environmental Requirements**

Limit temperature range	-60 ... +100 °C
-------------------------	-----------------

The *MULTI CONNECTION SYSTEM (MCS)* is designed without breaking capacity for compliance with DIN EN 61984. When used as intended, MCS Connectors shall not be connected/disconnected when live or under load. The circuit design should ensure header pins, which can be touched, are not live when unmated.

THR-soldering process Page 422

Coding Page 434

Additional information, see "Technical Section"

Approvals and corresponding ratings, visit [www.wago.com](http://www.wago.com)

# THR Male Header, 2-Row ▶ MCS MINI HD ▶ 713 Series

Pin spacing: 3.5 mm (0.138 inch) ▶ Solder pin dimensions: 0.8 x 0.8 mm ▶ Color: black

Mating direction to the PCB: 0°

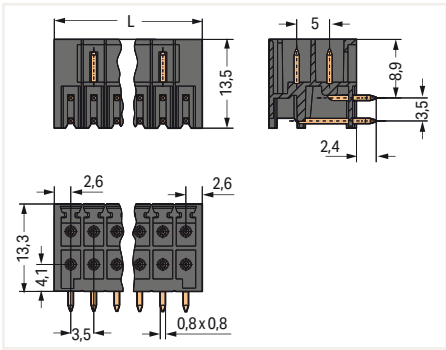
Suitable for automated assembly



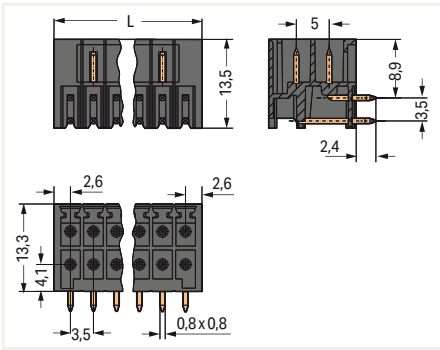
Pole No.	Item No.	PU
6	713-1423/105-000	100
8	713-1424/105-000	50
10	713-1425/105-000	50
12	713-1426/105-000	50
14	713-1427/105-000	50
16	713-1428/105-000	25
18	713-1429/105-000	25
20	713-1430/105-000	25
22	713-1431/105-000	25
24	713-1432/105-000	25
26	713-1433/105-000	25
28	713-1434/105-000	20
30	713-1435/105-000	20
32	713-1436/105-000	20
34	713-1437/105-000	20
36	713-1438/105-000	20

Pole No.	Tape width	Item No.	PU
6	32 mm	713-1423/105-000/997-405	120
8	32 mm	713-1424/105-000/997-405	120
10	32 mm	713-1425/105-000/997-405	120
12	44 mm	713-1426/105-000/997-406	120
14	44 mm	713-1427/105-000/997-406	120
16	44 mm	713-1428/105-000/997-406	120
18	56 mm	713-1429/105-000/997-407	120
20	56 mm	713-1430/105-000/997-407	120
22	56 mm	713-1431/105-000/997-407	120
24	72 mm	713-1432/105-000/997-408	120
26	72 mm	713-1433/105-000/997-408	120
28	72 mm	713-1434/105-000/997-408	120
30	72 mm	713-1435/105-000/997-408	120
32	72 mm	713-1436/105-000/997-408	120
34	88 mm	713-1437/105-000/997-409	120
36	88 mm	713-1438/105-000/997-409	120

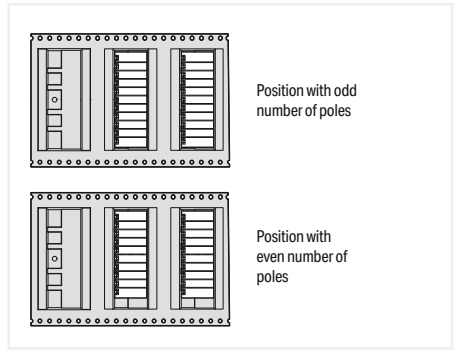
6



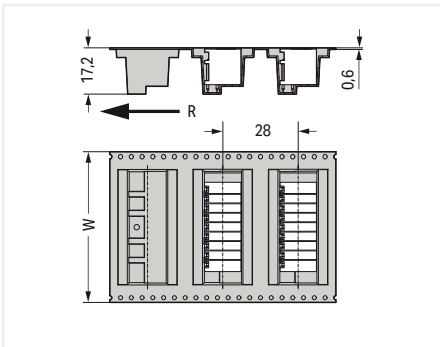
$$L = [(pole\ no./2) - 1] \times pin\ spacing + 5.2\ mm$$



$$L = [(pole\ no./2) - 1] \times pin\ spacing + 5.2\ mm$$



Pin position in tape-and-reel packaging



W= Tape width  
R = Feed direction

PU = Packaging Unit; SPU = Subpackaging Unit; Dimensions in mm

Other variants can be requested via the WAGO sales department or, if necessary, configured at <https://configurator.wago.com/>:

- Other pole numbers
- Other solder pin lengths
- Gold-plated or partially gold-plated contact surfaces

# THR Male Header, 2-Row ▶ MCS MINI HD ▶ 713 Series

Pin spacing: 3.5 mm (0.138 inch) ▶ Solder pin dimensions: 0.8 x 0.8 mm ▶ Color: black

Mating direction to the PCB: 90°

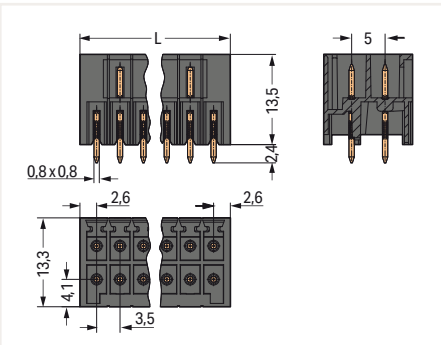
Suitable for automated assembly



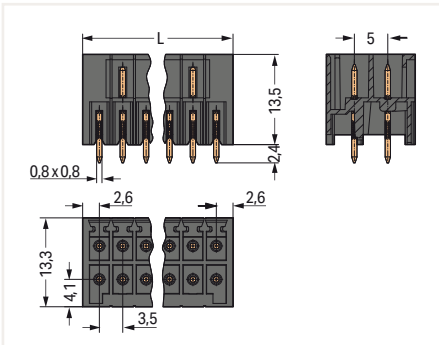
Pole No.	Item No.	PU
6	713-1403/105-000	100
8	713-1404/105-000	50
10	713-1405/105-000	50
12	713-1406/105-000	50
14	713-1407/105-000	50
16	713-1408/105-000	25
18	713-1409/105-000	25
20	713-1410/105-000	25
22	713-1411/105-000	25
24	713-1412/105-000	25
26	713-1413/105-000	25
28	713-1414/105-000	20
30	713-1415/105-000	20
32	713-1416/105-000	20
34	713-1417/105-000	20
36	713-1418/105-000	20

Pole No.	Tape width	Item No.	PU
6	32 mm	713-1403/105-000/997-405	120
8	32 mm	713-1404/105-000/997-405	120
10	32 mm	713-1405/105-000/997-405	120
12	44 mm	713-1406/105-000/997-406	120
14	44 mm	713-1407/105-000/997-406	120
16	44 mm	713-1408/105-000/997-406	120
18	56 mm	713-1409/105-000/997-407	120
20	56 mm	713-1410/105-000/997-407	120
22	56 mm	713-1411/105-000/997-407	120
24	72 mm	713-1412/105-000/997-408	120
26	72 mm	713-1413/105-000/997-408	120
28	72 mm	713-1414/105-000/997-408	120
30	72 mm	713-1415/105-000/997-408	120
32	72 mm	713-1416/105-000/997-408	120
34	88 mm	713-1417/105-000/997-409	120
36	88 mm	713-1418/105-000/997-409	120

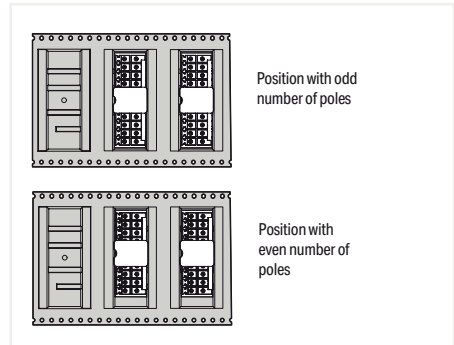
6



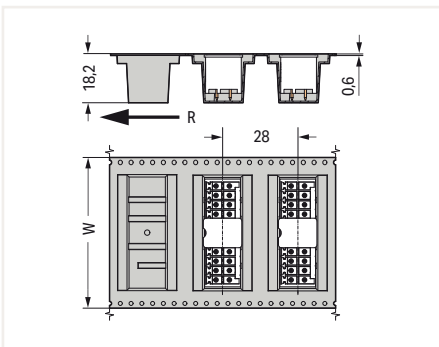
$$L = [(pole\ no./2) - 1] \times pin\ spacing + 5.2\ mm$$



$$L = [(pole\ no./2) - 1] \times pin\ spacing + 5.2\ mm$$



Pin position in tape-and-reel packaging



W = Tape width  
R = Feed direction

PU = Packaging Unit; SPU = Subpackaging Unit; Dimensions in mm

Other variants can be requested via the WAGO sales department or, if necessary, configured at <https://configurator.wago.com/>:

- Other pole numbers
- Other solder pin lengths
- Gold-plated or partially gold-plated contact surfaces

# THR Male Header, 2-Row ▶ MCS MINI HD ▶ 713 Series

Pin spacing: 3.5 mm (0.138 inch) ▶ Solder pin dimensions: 0.8 x 0.8 mm ▶ Color: black

Locking of plug-in connection: Threaded flange ▶ Mating direction to the PCB: 0°

Suitable for automated assembly

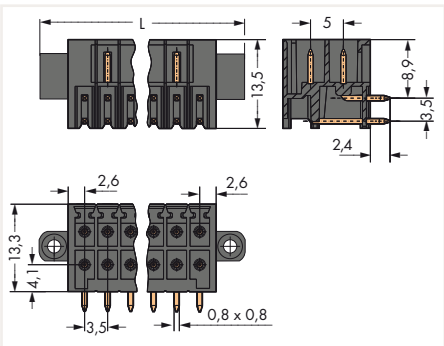


Pole No.	Item No.	PU
6	713-1423/117-000	50
8	713-1424/117-000	50
10	713-1425/117-000	25
12	713-1426/117-000	25
14	713-1427/117-000	25
16	713-1428/117-000	25
18	713-1429/117-000	25
20	713-1430/117-000	20
22	713-1431/117-000	20
24	713-1432/117-000	20
26	713-1433/117-000	20
28	713-1434/117-000	20
30	713-1435/117-000	20
32	713-1436/117-000	10
34	713-1437/117-000	10
36	713-1438/117-000	10

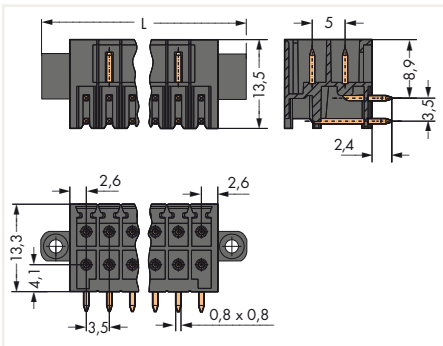
Pole No.	Tape width	Item No.	PU
6	32 mm	713-1423/117-000/997-405	120
8	44 mm	713-1424/117-000/997-406	120
10	44 mm	713-1425/117-000/997-406	120
12	44 mm	713-1426/117-000/997-406	120
14	56 mm	713-1427/117-000/997-407	120
16	56 mm	713-1428/117-000/997-407	120
18	56 mm	713-1429/117-000/997-407	120
20	72 mm	713-1430/117-000/997-408	120

Pole No.	Tape width	Item No.	PU
22	72 mm	713-1431/117-000/997-408	120
24	72 mm	713-1432/117-000/997-408	120
26	72 mm	713-1433/117-000/997-408	120
28	72 mm	713-1434/117-000/997-408	120
30	88 mm	713-1435/117-000/997-409	120
32	88 mm	713-1436/117-000/997-409	120
34	88 mm	713-1437/117-000/997-409	120
36	88 mm	713-1438/117-000/997-409	120

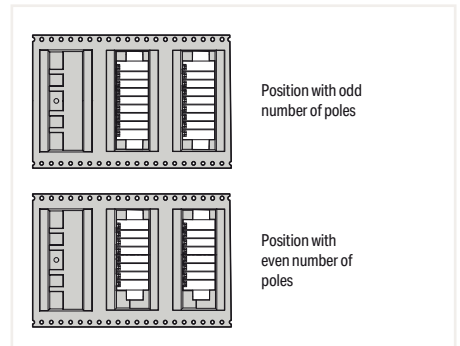
6



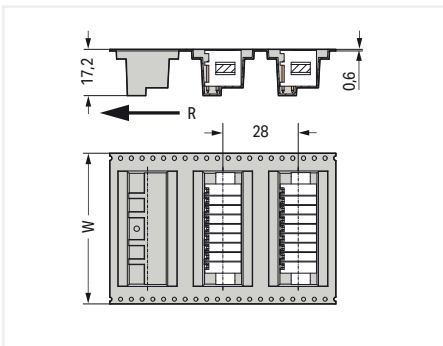
$L = [(pole\ no./2) - 1] \times pin\ spacing + 13.6\ mm$



$L = [(pole\ no./2) - 1] \times pin\ spacing + 13.6\ mm$



Pin position in tape-and-reel packaging



W= Tape width  
R = Feed direction

PU = Packaging Unit; SPU = Subpackaging Unit; Dimensions in mm

Other variants can be requested via the WAGO sales department or, if necessary, configured at <https://configurator.wago.com/>:

- Other pole numbers
- Other solder pin lengths
- Gold-plated or partially gold-plated contact surfaces

# THR Male Header, 2-Row ▶ MCS MINI HD ▶ 713 Series

Pin spacing: 3.5 mm (0.138 inch) ▶ Solder pin dimensions: 0.8 x 0.8 mm ▶ Color: black

Locking of plug-in connection: Threaded flange ▶ Mating direction to the PCB: 90°

Suitable for automated assembly

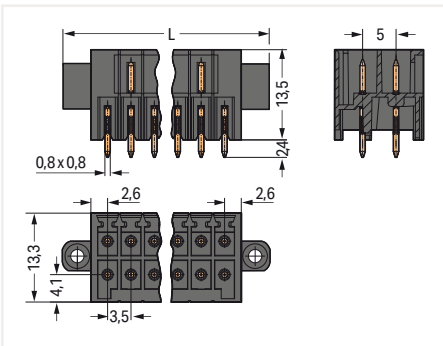


Pole No.	Item No.	PU
6	713-1403/117-000	50
8	713-1404/117-000	50
10	713-1405/117-000	25
12	713-1406/117-000	25
14	713-1407/117-000	25
16	713-1408/117-000	25
18	713-1409/117-000	25
20	713-1410/117-000	20
22	713-1411/117-000	20
24	713-1412/117-000	20
26	713-1413/117-000	20
28	713-1414/117-000	20
30	713-1415/117-000	20
32	713-1416/117-000	10
34	713-1417/117-000	10
36	713-1418/117-000	10

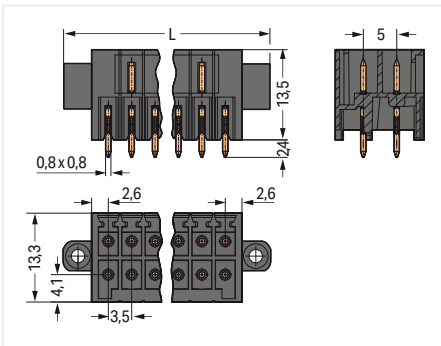
Pole No.	Tape width	Item No.	PU
6	32 mm	713-1403/117-000/997-405	120
8	44 mm	713-1404/117-000/997-406	120
10	44 mm	713-1405/117-000/997-406	120
12	44 mm	713-1406/117-000/997-406	120
14	56 mm	713-1407/117-000/997-407	120
16	56 mm	713-1408/117-000/997-407	120
18	56 mm	713-1409/117-000/997-407	120
20	72 mm	713-1410/117-000/997-408	120

Pole No.	Tape width	Item No.	PU
22	72 mm	713-1411/117-000/997-408	120
24	72 mm	713-1412/117-000/997-408	120
26	72 mm	713-1413/117-000/997-408	120
28	72 mm	713-1414/117-000/997-408	120
30	88 mm	713-1415/117-000/997-409	120
32	88 mm	713-1416/117-000/997-409	120
34	88 mm	713-1417/117-000/997-409	120
36	88 mm	713-1418/117-000/997-409	120

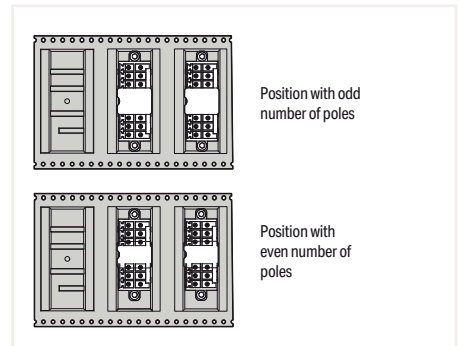
6



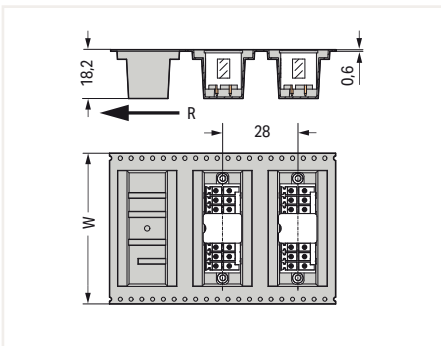
$$L = [(pole\ no./2) - 1] \times pin\ spacing + 13.6\ mm$$



$$L = [(pole\ no./2) - 1] \times pin\ spacing + 13.6\ mm$$



Pin position in tape-and-reel packaging



W= Tape width  
R = Feed direction

PU = Packaging Unit; SPU = Subpackaging Unit; Dimensions in mm

Other variants can be requested via the WAGO sales department or, if necessary, configured at <https://configurator.wago.com/>:

- Other pole numbers
- Other solder pin lengths
- Gold-plated or partially gold-plated contact surfaces

# THR Male Header, 2-Row ▶ MCS MINI HD ▶ 713 Series

Pin spacing: 3.5 mm (0.138 inch) ▶ Solder pin dimensions: 0.8 x 0.8 mm ▶ Color: black

Locking of plug-in connection: Locking lever ▶ Mating direction to the PCB: 0°

Suitable for automated assembly

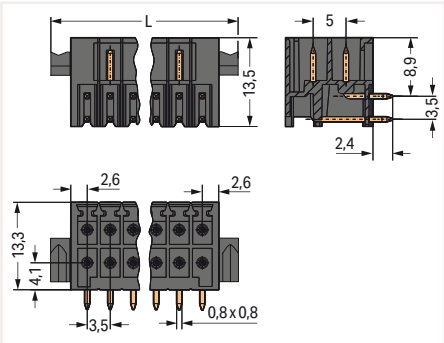


Pole No.	Item No.	PU
6	713-1423/116-000	50
8	713-1424/116-000	50
10	713-1425/116-000	50
12	713-1426/116-000	50
14	713-1427/116-000	50
16	713-1428/116-000	25
18	713-1429/116-000	25
20	713-1430/116-000	25
22	713-1431/116-000	20
24	713-1432/116-000	20
26	713-1433/116-000	20
28	713-1434/116-000	20
30	713-1435/116-000	20
32	713-1436/116-000	20
34	713-1437/116-000	10
36	713-1438/116-000	10

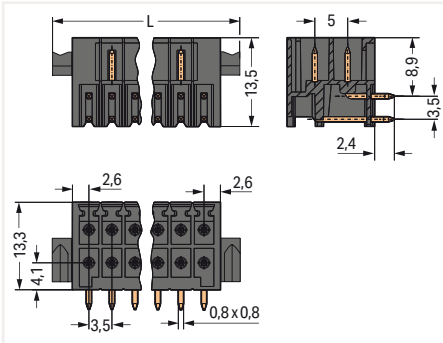
Pole No.	Tape width	Item No.	PU
6	32 mm	713-1423/116-000/997-405	120
8	44 mm	713-1424/116-000/997-406	120
10	44 mm	713-1425/116-000/997-406	120
12	44 mm	713-1426/116-000/997-406	120
14	56 mm	713-1427/116-000/997-407	120
16	56 mm	713-1428/116-000/997-407	120
18	56 mm	713-1429/116-000/997-407	120
20	72 mm	713-1430/116-000/997-408	120

Pole No.	Tape width	Item No.	PU
22	72 mm	713-1431/116-000/997-408	120
24	72 mm	713-1432/116-000/997-408	120
26	72 mm	713-1433/116-000/997-408	120
28	72 mm	713-1434/116-000/997-408	120
30	88 mm	713-1435/116-000/997-409	120
32	88 mm	713-1436/116-000/997-409	120
34	88 mm	713-1437/116-000/997-409	120
36	88 mm	713-1438/116-000/997-409	120

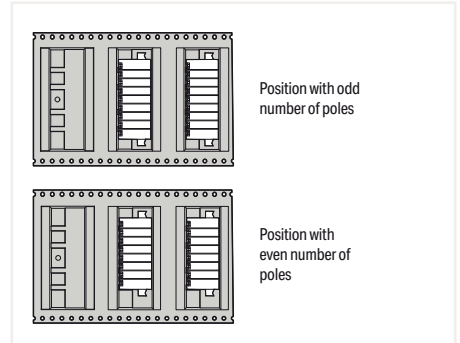
6



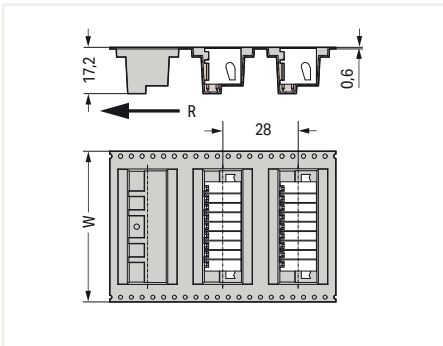
$L = [(pole\ no./2) - 1] \times pin\ spacing + 11.6\ mm$



$L = [(pole\ no./2) - 1] \times pin\ spacing + 11.6\ mm$



Pin position in tape-and-reel packaging



W= Tape width  
R = Feed direction

PU = Packaging Unit; SPU = Subpackaging Unit; Dimensions in mm

Other variants can be requested via the WAGO sales department or, if necessary, configured at <https://configurator.wago.com/>:

- Other pole numbers
- Other solder pin lengths
- Gold-plated or partially gold-plated contact surfaces

# THR Male Header, 2-Row ▶ MCS MINI HD ▶ 713 Series

Pin spacing: 3.5 mm (0.138 inch) ▶ Solder pin dimensions: 0.8 x 0.8 mm ▶ Color: black

Locking of plug-in connection: Locking lever ▶ Mating direction to the PCB: 90°

Suitable for automated assembly

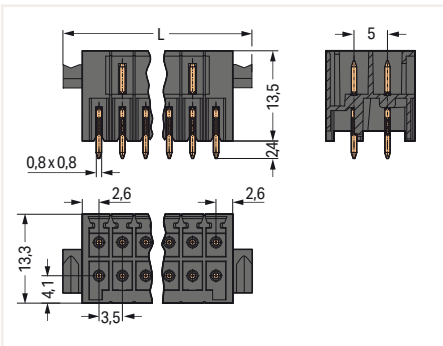


Pole No.	Item No.	PU
6	713-1403/116-000	50
8	713-1404/116-000	50
10	713-1405/116-000	50
12	713-1406/116-000	25
14	713-1407/116-000	25
16	713-1408/116-000	25
18	713-1409/116-000	25
20	713-1410/116-000	25
22	713-1411/116-000	20
24	713-1412/116-000	20
26	713-1413/116-000	20
28	713-1414/116-000	20
30	713-1415/116-000	20
32	713-1416/116-000	20
34	713-1417/116-000	10
36	713-1418/116-000	10

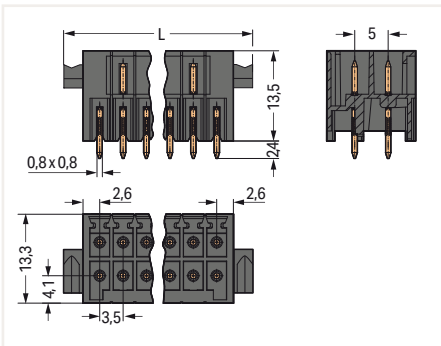
Pole No.	Tape width	Item No.	PU
6	32 mm	713-1403/116-000/997-405	120
8	44 mm	713-1404/116-000/997-406	120
10	44 mm	713-1405/116-000/997-406	120
12	44 mm	713-1406/116-000/997-406	120
14	56 mm	713-1407/116-000/997-407	120
16	56 mm	713-1408/116-000/997-407	120
18	56 mm	713-1409/116-000/997-407	120
20	72 mm	713-1410/116-000/997-408	120

Pole No.	Tape width	Item No.	PU
22	72 mm	713-1411/116-000/997-408	120
24	72 mm	713-1412/116-000/997-408	120
26	72 mm	713-1413/116-000/997-408	120
28	72 mm	713-1414/116-000/997-408	120
30	88 mm	713-1415/116-000/997-409	120
32	88 mm	713-1416/116-000/997-409	120
34	88 mm	713-1417/116-000/997-409	120
36	88 mm	713-1418/116-000/997-409	120

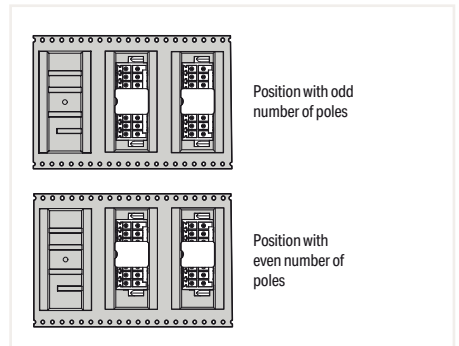
6



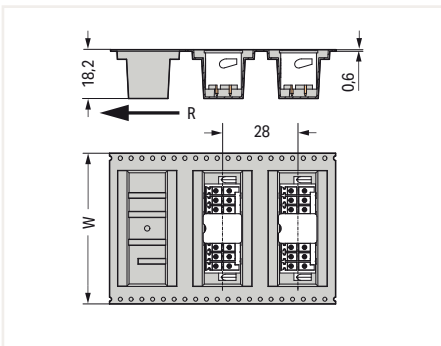
$$L = [(pole\ no./2) - 1] \times pin\ spacing + 11.6\ mm$$



$$L = [(pole\ no./2) - 1] \times pin\ spacing + 11.6\ mm$$



Pin position in tape-and-reel packaging



W= Tape width  
R = Feed direction

PU = Packaging Unit; SPU = Subpackaging Unit; Dimensions in mm

Other variants can be requested via the WAGO sales department or, if necessary, configured at <https://configurator.wago.com/>:

- Other pole numbers
- Other solder pin lengths
- Gold-plated or partially gold-plated contact surfaces





## Direct Marking MCS MINI HD



713 Series Female Connectors can be marked with "1 ... pole no." via factory direct marking.

Two standard marking orientations are available:

1. Marking perpendicular to conductor entry
2. Marking parallel to conductor entry

Other custom marking options are available upon request.

WAGO recommends pole marking on the PCB for male headers with solder pins (713 Series).

The marking type is always defined by the second 4-digit block of the item no. suffix for items with standard colors and materials.

Example: 713-1110/... - xxxx  
xxxx = item no. suffix for direct marking

Direct marking of 1-conductor female connectors, perpendicular to conductor entry, 1 ... pole no., item no. suffix: /... - 047

Version	Item No. Example
1-conductor female connector, double-row, 16-pole, black	713-1108/000-047
1-conductor female connector, with screw flanges, double-row, 16-pole, black	713-1108/0107-047
1-conductor female connector, with levers and strain relief plate, double-row, 16-pole, black	713-1108/037-047/033-000

Direct marking of 1-conductor female connectors, parallel to conductor entry, 1 ... pole no., item no. suffix: /... - 9037

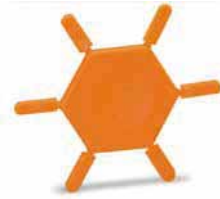
Version	Item No. Example
1-conductor female connector, double-row, 16-pole, black	713-1108/000-9037
1-conductor female connector, with levers, double-row, 16-pole, black	13-1108/037-9037
1-conductor female connector, with strain relief plate, double-row, 16-pole, black	713-1108/033-9037

6



# Strain Relief Plates

## MCS MINI HD



Strain relief plate; for field assembly; for female connectors with CAGE CLAMP® connection; black

Pole No.	Width	Item No.	PU (SPU)
6 ... 8	11 mm	713-126	100 (25)
10 ... 12	18 mm	713-130	100 (25)
14 ... 20	24 mm	713-127	100 (25)
22 ... 28	39 mm	713-128	100 (25)
30 ... 36	53 mm	713-129	100 (25)

Strain relief plate; pre-assembled; for female connectors with CAGE CLAMP® connection; black

Pole No.	Width	Item no. suffix *
6 ... 8	11 mm	.../032-000
10 ... 12	18 mm	.../036-000
14 ... 20	24 mm	.../033-000
22 ... 28	39 mm	.../034-000
30 ... 36	53 mm	.../035-000

Coding pin carrier, for male headers with six coding pins

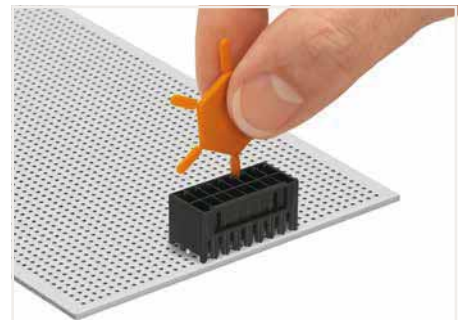
Color	Item No.	PU (SPU)
orange	714-101	100 (25)

6

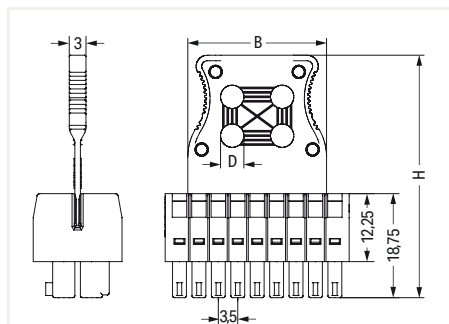


Strain relief plate for field assembly

\*An "item no. suffix," referring to the width of the strain relief plate, is added to the "basic item no." and determines the type of female connector.



Coding a male header via coding pins.



Pole No.	B	H	D
6 ... 8	11	38,7	3
10 ... 12	18	43,7	4,2
14 ... 20	25	43,7	4,2
22 ... 28	39	48,7	4,2
30 ... 36	53	54,2	4,9

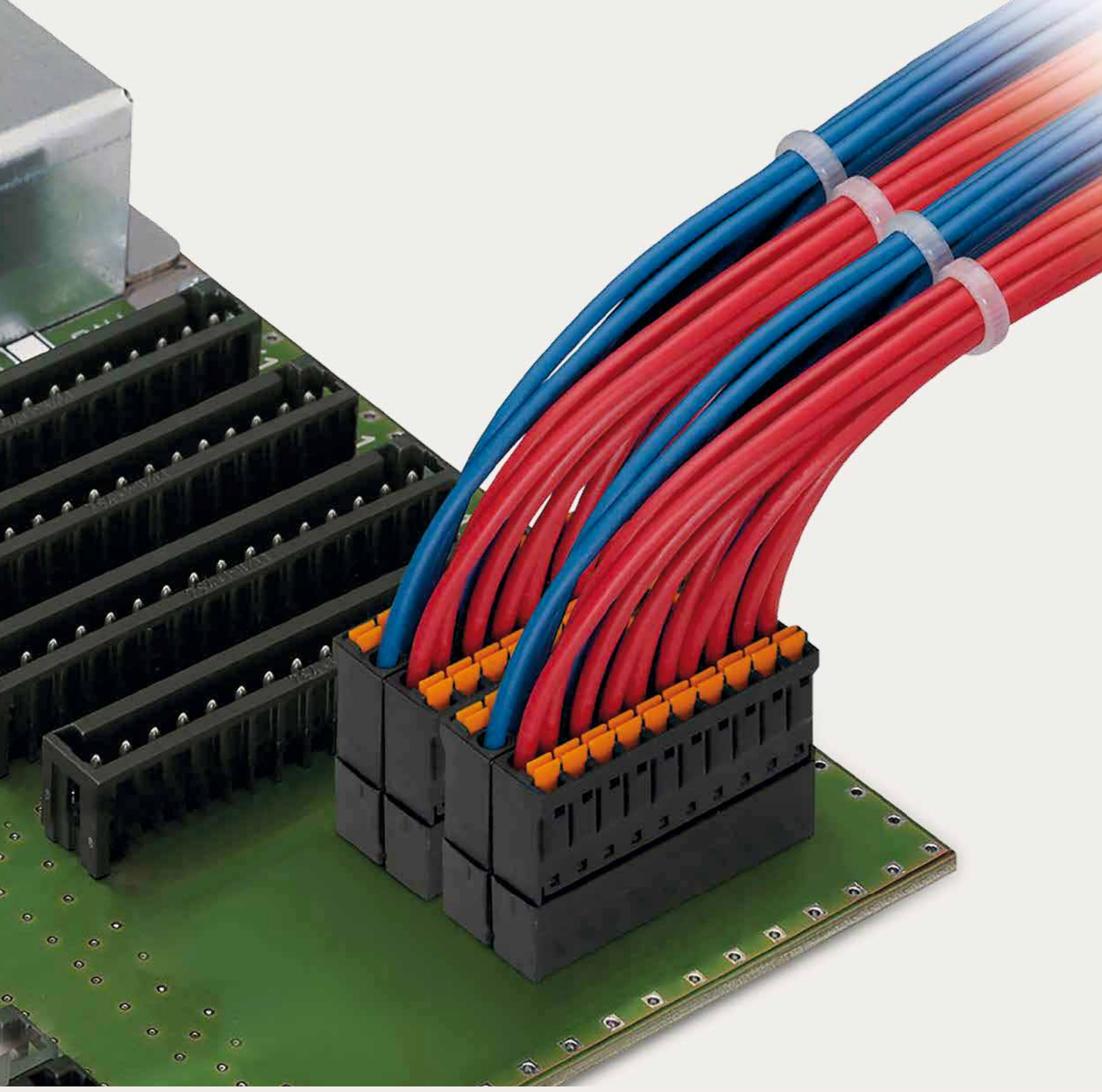
The arrangement of the attachments for cable ties allows single conductors or multi-core cables to be secured in different ways. The width of the cable ties must correspond to the hole dimensions of the strain relief plates shown above.

Cable ties and binding tools are not offered by WAGO.



Coding a female connector – removing coding finger(s).








# **WAGO MULTI CONNECTION SYSTEM MINI SL**

# WAGO MULTI CONNECTION SYSTEM MINI SL

Pin Spacing: 3.5 mm / Nominal Cross-Section: 1.5 mm<sup>2</sup>

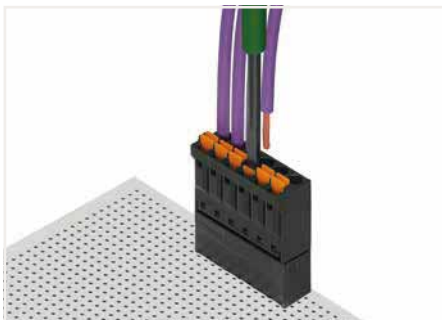
		Page
	MCS MINI SL 1-Conductor Female Connectors ▶ Actuation type: Push-button ▶ Push-in CAGE CLAMP®	440
	MCS MINI SL THT Male Headers	442
	MCS MINI SL Accessories Accessories and Tools	444 829

# MCS MINI SL

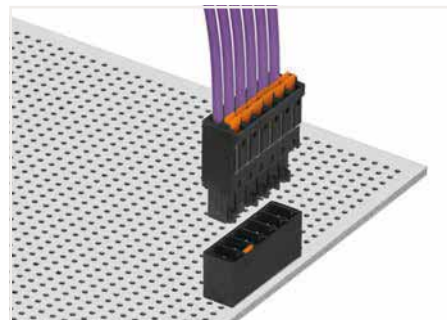
## Description and Installation



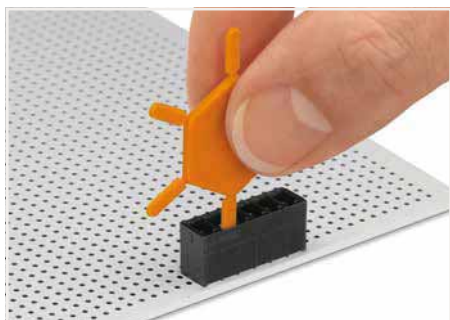
Terminating solid and ferruled conductors via push-in termination.



Inserting/removing fine-stranded conductors via push-button.



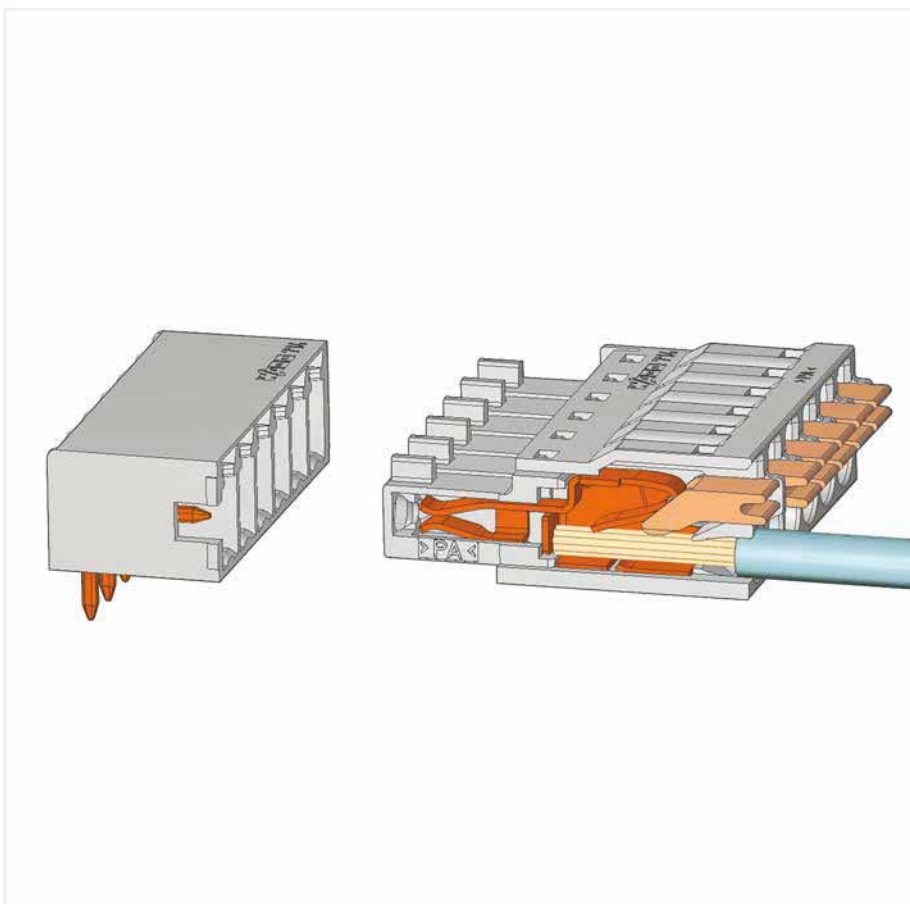
Coded connectors.



Coding a male header by inserting a coding pin.



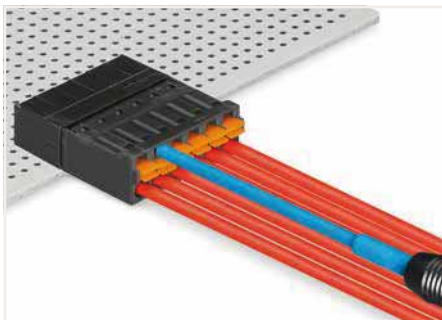
Coding a female connector by removing coding finger(s).



Pin spacing: 3.5 mm



Pole marking via factory direct marking.



Testing via 1 mm Ø test pin – insertion parallel to conductor entry.

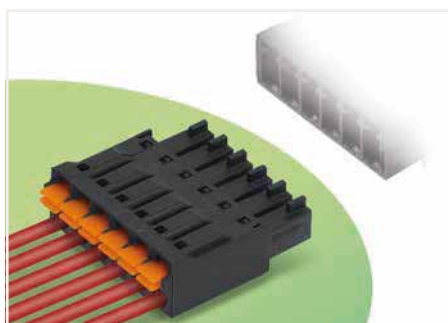
7





**1-Conductor Female Connector ▶ MCS MINI SL ▶ 714 Series**

Pin spacing: 3.5 mm (0.138 inch) ▶ Actuation type: Push-button ▶ Push-in CAGE CLAMP® ▶ Color: black



- Female connectors terminate both solid and ferruled conductors via push-in termination
- Integrated push-buttons provide convenient, tool-free operation
- Ultra-low profile of just 7.8 mm for conductor cross-section up to 1.5 mm<sup>2</sup>
- With coding fingers and test points

**Electrical Data**

Ratings per	IEC/EN 60664-1		
Overvoltage category	III	III	II
Pollution degree	3	2	2
Rated voltage	160 V	160 V	320 V
Rated impulse voltage	2.5 kV	2.5 kV	2.5 kV
Rated current	8 A	8 A	8 A
Approvals per	UL 1059		
Use Group	B	C	D
Rated voltage	150 V	-	-
Rated current	8 A	-	-

**Connection Data**

Connection technology	Push-in CAGE CLAMP®
Strip length	9 ... 10 mm / 0.35 ... 0.39 inch
Solid conductor	0.2 ... 1.5 mm <sup>2</sup> / 24 ... 16 AWG
Fine-stranded conductor	0.2 ... 1.5 mm <sup>2</sup> / 24 ... 16 AWG
Fine-stranded conductor with ferrule with plastic collar	0.25 ... 0.75 mm <sup>2</sup>
Fine-stranded conductor with ferrule without plastic collar	0.25 ... 1.5 mm <sup>2</sup>

**Material Data**

Material group	I
Insulating material	Polyamide 66 (PA 66)
Flammability class per UL94	V0
Clamping spring material	Chrome nickel spring steel (CrNi)
Contact material	Copper alloy
Contact plating	Tin-plated

**Environmental Requirements**

Limit temperature range	-60 ... +100 °C
-------------------------	-----------------

The *MULTI CONNECTION SYSTEM (MCS)* is designed without breaking capacity for compliance with DIN EN 61984. When used as intended, MCS Connectors shall not be connected/disconnected when live or under load. The circuit design should ensure header pins, which can be touched, are not live when unmated.

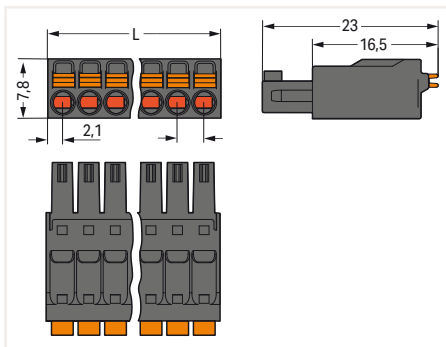
Ferrule	Page 847
Testing and measuring	Page 854
Tools	Page 838
Additional information, see "Technical Section"	
Approvals and corresponding ratings, visit <a href="http://www.wago.com">www.wago.com</a>	

## 1-Conductor Female Connector ▶ MCS MINI SL ▶ 714 Series

Pin spacing: 3.5 mm (0.138 inch) ▶ Actuation type: Push-button ▶ Push-in CAGE CLAMP® ▶ Color: black



Pole No.	Item No.	PU
2	714-102	200
3	714-103	200
4	714-104	200
5	714-105	100
6	714-106	100
8	714-108	100
10	714-110	100
12	714-112	100
14	714-114	50
15	714-115	50
16	714-116	50



$L = (\text{pole no.} - 1) \times \text{pin spacing} + 4.2 \text{ mm}$

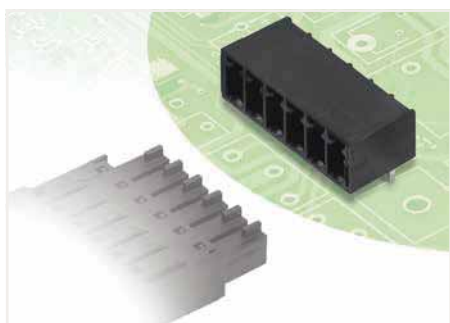
PU = Packaging Unit; SPU = Subpackaging Unit; Dimensions in mm

Other variants can be requested via the WAGO sales department or, if necessary, configured at <https://configurator.wago.com/>:

- Other pole numbers

**THT Male Header ▶ MCS MINI SL ▶ 714 Series**

Pin spacing: 3.5 mm (0.138 inch) ▶ Solder pin dimensions: 0.8 x 0.8 mm ▶ Color: black



- Male headers may be mounted horizontally or vertically via straight or angled solder pins
- Header housing is molded of THR-compatible insulation material for lead-free reflow soldering
- Separated pin slots prevent damage and make the headers touch-proof when unplugged
- Coding pins available

**Electrical Data**

Ratings per	IEC/EN 60664-1		
Overvoltage category	III	III	II
Pollution degree	3	2	2
Rated voltage	160 V	160 V	320 V
Rated impulse voltage	2.5 kV	2.5 kV	2.5 kV
Rated current	8 A	8 A	8 A
Approvals per	UL 1059		
Use Group	B	C	D
Rated voltage	150 V	-	-
Rated current	8 A	-	-

**Material Data**

Material group	I
Insulating material	Polyphthalamide (PPA GF)
Flammability class per UL94	V0
Contact material	Electrolytic copper (Ecu)
Contact plating	Tin-plated

**Mechanical Data**

Solder pin arrangement	Over the entire male connector, in line
Solder pin length	3.4 mm
Solder pin dimensions	0.8 x 0.8 mm
Drilled hole diameter (tolerance)	1.2 <sup>(+0.1)</sup> mm

**Environmental Requirements**

Limit temperature range	-60 ... +100 °C
-------------------------	-----------------

The *MULTI CONNECTION SYSTEM (MCS)* is designed without breaking capacity for compliance with DIN EN 61984. When used as intended, MCS Connectors shall not be connected/disconnected when live or under load. The circuit design should ensure header pins, which can be touched, are not live when unmated.

Coding Page 444

Additional information, see "Technical Section"

Approvals and corresponding ratings, visit [www.wago.com](http://www.wago.com)

### THT Male Header ▶ MCS MINI SL ▶ 714 Series

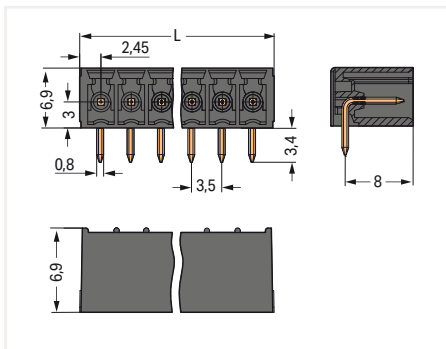
Pin spacing: 3.5 mm (0.138 inch) ▶ Solder pin dimensions: 0.8 x 0.8 mm ▶ Color: black

Mating direction to the PCB: 0°

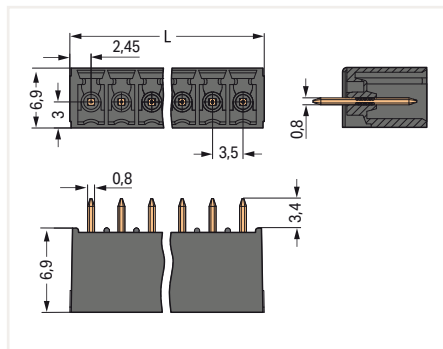
Mating direction to the PCB: 90°



Pole No.	Item No.	PU	Pole No.	Item No.	PU
2	714-162	200	2	714-132	200
3	714-163	200	3	714-133	200
4	714-164	200	4	714-134	200
5	714-165	200	5	714-135	200
6	714-166	200	6	714-136	200
8	714-168	200	8	714-138	200
10	714-170	100	10	714-140	100
12	714-172	100	12	714-142	100
14	714-174	100	14	714-144	100
15	714-175	100	15	714-145	100
16	714-176	100	16	714-146	100



$L = (\text{pole no.} - 1) \times \text{pin spacing} + 4.9 \text{ mm}$



$L = (\text{pole no.} - 1) \times \text{pin spacing} + 4.9 \text{ mm}$

7

PU = Packaging Unit; SPU = Subpackaging Unit; Dimensions in mm

Other variants can be requested via the WAGO sales department or, if necessary, configured at <https://configurator.wago.com/>:

- Other pole numbers

## Coding Pin Carrier and Direct Marking MCS MINI SL



Coding pin carrier; for male headers;  
with six coding pins

Color	Item No.	PU (SPU)
orange	714-101	100 (25)

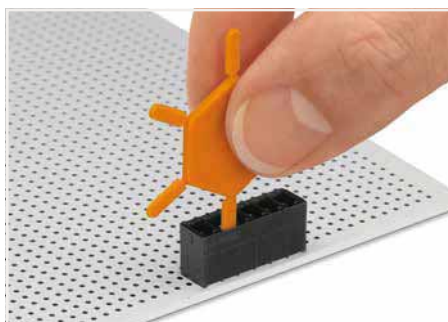
Direct marking of 1-conductor female connectors;  
perpendicular to conductor entry; 1 ... pole no.;  
item no. suffix.: /... - 047

Version	Item No. Example
1-conductor female connector; with push-buttons; 6-pole; black	714-106/000-047

714 Series Female Connectors can be marked with  
"1 ... pole no." via factory direct marking.

WAGO recommends pole marking on the PCB for male  
headers with solder pins (714 Series).

7

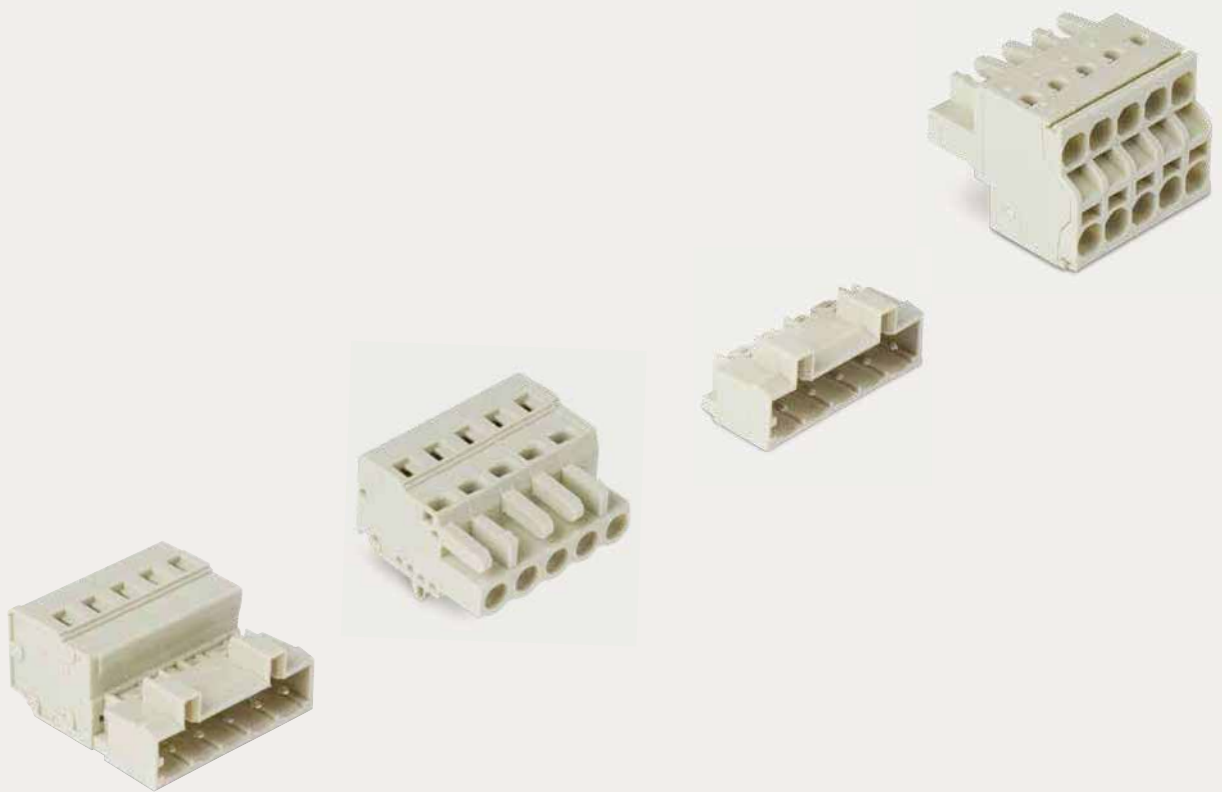


Coding a male header via coding pins.



Coding a female connector – removing coding finger(s).














# ***WAGO MULTI CONNECTION SYSTEM MIDI***



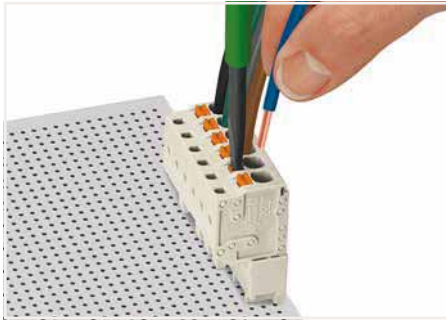
## WAGO MULTI CONNECTION SYSTEM MIDI

Pin Spacing: 5 mm; 7.5 mm ▶ 2.5 mm<sup>2</sup>

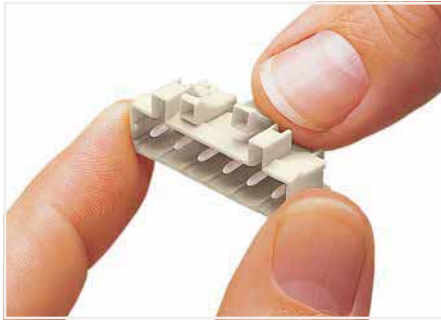
		Pin Spacing	Page
	MCS MIDI 1-Conductor Female Connectors ▶ Actuation type: Operating tool ▶ CAGE CLAMP®	5 mm	450
		7.5 mm	492
	MCS MIDI 2-Conductor Female Connectors ▶ Actuation type: Operating tool ▶ Push-in CAGE CLAMP®	5 mm	458
		7.5 mm	498
	MCS MIDI 1-Conductor Female Connectors ▶ Actuation type: Push-button ▶ Push-in CAGE CLAMP®	5 mm	460
		7.5 mm	500
	MCS MIDI 1-Conductor Male Connectors ▶ Actuation type: Operating tool ▶ CAGE CLAMP®	5 mm	464
		7.5 mm	504
	MCS MIDI THT Female Headers	5 mm	472
		7.5 mm	512
	MCS MIDI THT Male Headers	5 mm	478
		7.5 mm	518
	MCS MIDI Female Connectors for Rail-Mount Terminal Blocks Male Connectors for Rail-Mount Terminal Blocks	5 mm	486
		5 mm	490
	MCS MIDI Accessories		534
	Accessories and Tools		829
	Application Examples		730

# MCS MIDI, 100 % Protected Against Mismatching

## Description and Installation



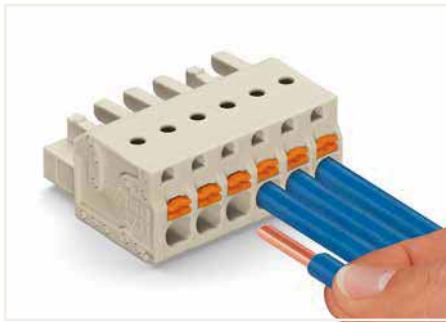
Inserting/removing a conductor via 3.5 mm screwdriver – Push-in CAGE CLAMP® actuation in mated condition.



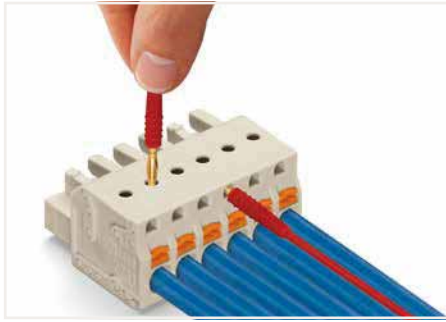
Coding a male header – fitting coding key(s).



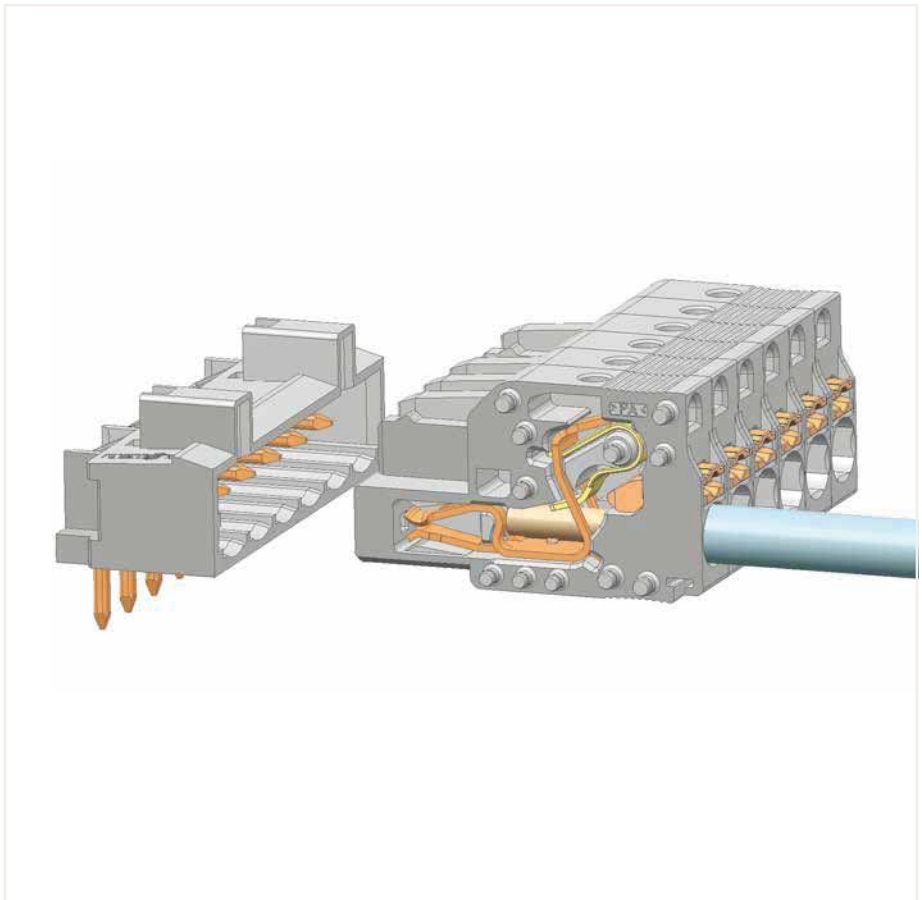
Coding a female connector – removing coding finger(s).



Push-in termination of solid conductors or fine-stranded conductors with ferrule



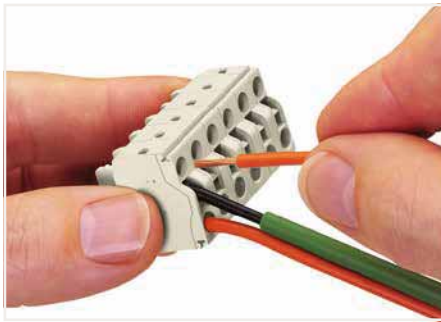
Testing parallel to conductor entry via integrated test ports – female connector with push-buttons and Push-in CAGE CLAMP® connection – touch contact perpendicular to conductor entry.



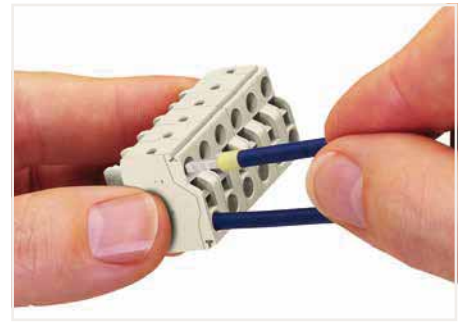
Pin spacing: 5 mm and 7.5 mm, Push-in CAGE CLAMP®



Labeling via direct marking or self-adhesive strips.



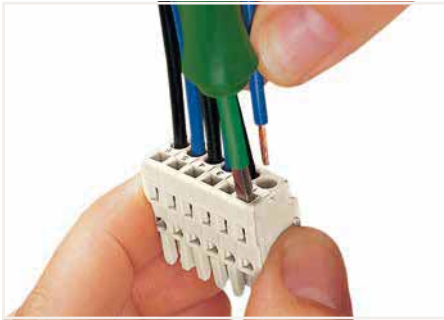
Inserting a fine-stranded conductor via 3.5 mm screwdriver into a 2-conductor female connector equipped with Push-in CAGE CLAMP®.



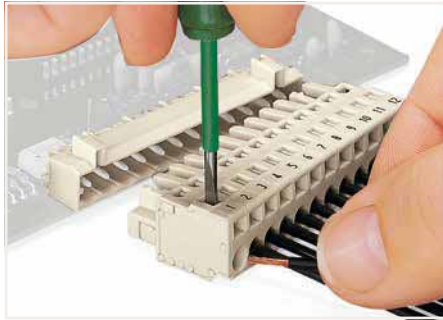
Push-in termination of solid conductors or fine-stranded conductors with ferrule

# MCS MIDI, 100 % Protected Against Mismatching

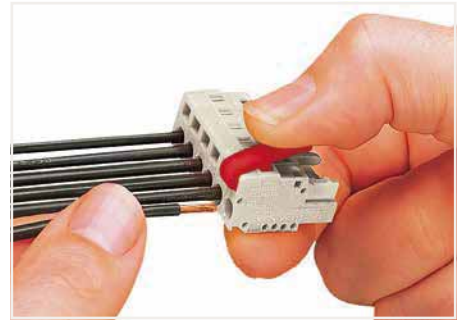
## Description and Installation



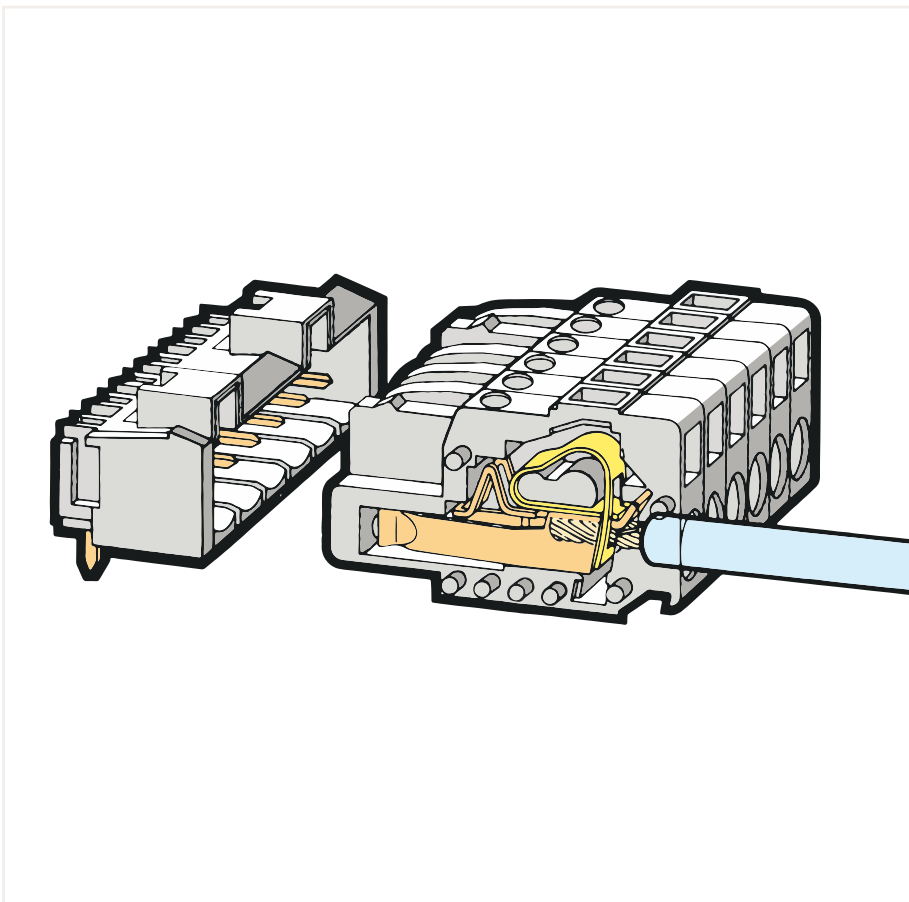
Inserting a conductor via 3.5 mm screwdriver – CAGE CLAMP® actuation parallel to conductor entry.



Inserting a conductor via 3.5 mm screwdriver – CAGE CLAMP® actuation perpendicular to conductor entry.



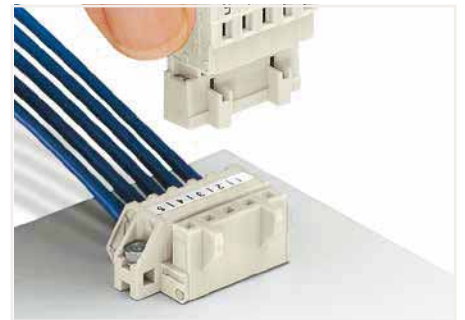
Inserting a conductor into CAGE CLAMP® unit via operating lever (231-291).



Pin spacing: 5 mm and 7.5 mm, CAGE CLAMP®



Connectors for 280 Series Rail-Mount Terminal Blocks



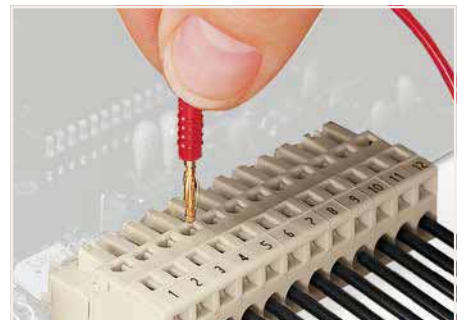
Angled female connector for panel mounting



Male connector with strain relief plate



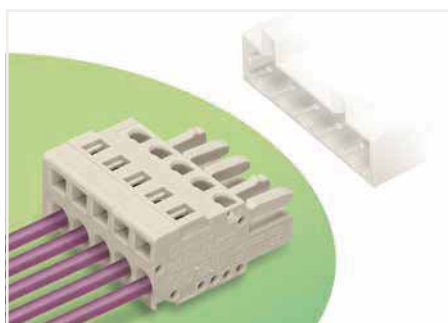
Strain relief housing shown with a male connector equipped with CAGE CLAMP®



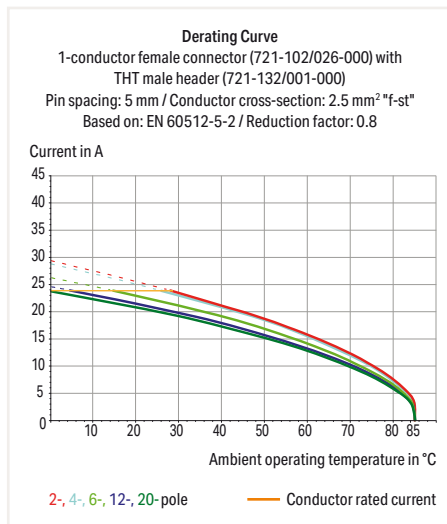
Testing perpendicular to conductor entry with 2 or 2.3 mm Ø test plug – female connector with CAGE CLAMP® – via integrated test ports

## 1-Conductor Female Connector ▶ MCS MIDI ▶ 721 Series

Pin spacing: 5 mm (0.197 inch) ▶ Actuation type: Operating tool ▶ CAGE CLAMP® ▶ Conductor entry direction to mating direction: 0° ▶ Color: light gray



- Universal connection for all conductor types
- Easy cable pre-assembly and on-unit wiring via vertical and horizontal CAGE CLAMP® actuation
- Integrated test ports
- 100 % protected against mismatching
- Coding option available



### Electrical Data

Ratings per	IEC/EN 60664-1		
Overvoltage category	III	III	II
Pollution degree	3	2	2
Rated voltage	320 V	320 V	630 V
Rated impulse voltage	4 kV	4 kV	4 kV
Rated current	16 A	16 A	16 A
Approvals per	UL 1059		
Use Group	B	C	D
Rated voltage	300 V	-	300 V
Rated current	15 A	-	10 A
Approvals per	UL 1977		
Rated voltage	600 V		
Rated current	-		
Approvals per	CSA		
Use Group	B	C	D
Rated voltage	300 V	-	300 V
Rated current	15 A	-	10 A

### Connection Data

Connection technology	CAGE CLAMP®
Strip length	8 ... 9 mm / 0.31 ... 0.35 inch
Solid conductor	0.08 ... 2.5 mm <sup>2</sup> / 28 ... 12 AWG
Fine-stranded conductor	0.08 ... 2.5 mm <sup>2</sup> / 28 ... 12 AWG
Fine-stranded conductor with ferrule with plastic collar	0.25 ... 1.5 mm <sup>2</sup>
Fine-stranded conductor with ferrule without plastic collar	0.25 ... 2.5 mm <sup>2</sup>

### Material Data

Material group	I
Insulating material	Polyamide 66 (PA 66)
Flammability class per UL94	V0
Clamping spring material	Chrome nickel spring steel (CrNi)
Contact material	Copper alloy
Contact plating	Tin-plated

### Environmental Requirements

Limit temperature range	-60 ... +85 °C
-------------------------	----------------

The *MULTI CONNECTION SYSTEM (MCS)* is designed without breaking capacity for compliance with DIN EN 61984. When used as intended, MCS Connectors shall not be connected/disconnected when live or under load. The circuit design should ensure header pins, which can be touched, are not live when unmated.

Ferrule	Page 847
General accessory	Page 537
Insulation stop	Page 537
Jumper	Page 543
Marking	Page 833
Mounting	Page 542
Mounting adapter	Page 543
Strain relief	Page 540
Testing and measuring	Page 535, 854
Tools	Page 534
Direct marking	Page 526
Cutout dimensions	Page 530
Additional information, see "Technical Section"	
Approvals and corresponding ratings, visit <a href="http://www.wago.com">www.wago.com</a>	

### 1-Conductor Female Connector ▶ MCS MIDI ▶ 721 Series

Pin spacing: 5 mm (0.197 inch) ▶ Actuation type: Operating tool ▶ CAGE CLAMP® ▶ Conductor entry direction to mating direction: 0° ▶ Color: light gray

Locking of plug-in connection: locking lever

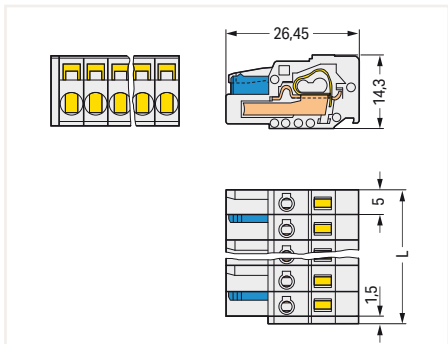
Type of mounting: Feed-through mounting, Panel mounting ▶ Mounting type: Mounting flange



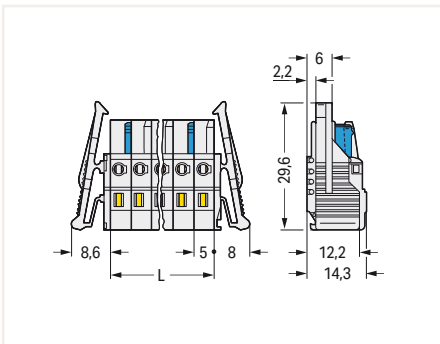
Pole No.	Item No.	PU
2	721-102/026-000	100
3	721-103/026-000	100
4	721-104/026-000	100
5	721-105/026-000	100
6	721-106/026-000	50
7	721-107/026-000	50
8	721-108/026-000	50
9	721-109/026-000	50
10	721-110/026-000	50
11	721-111/026-000	25
12	721-112/026-000	25
13	721-113/026-000	25
14	721-114/026-000	25
15	721-115/026-000	25
16	721-116/026-000	25
20	721-120/026-000	10

Pole No.	Item No.	PU
2	721-102/037-000	100
3	721-103/037-000	50
4	721-104/037-000	50
5	721-105/037-000	50
6	721-106/037-000	50
7	721-107/037-000	50
8	721-108/037-000	25
9	721-109/037-000	25
10	721-110/037-000	25
11	721-111/037-000	25
12	721-112/037-000	25
13	721-113/037-000	25
14	721-114/037-000	25
15	721-115/037-000	25
16	721-116/037-000	10
20	721-120/037-000	10

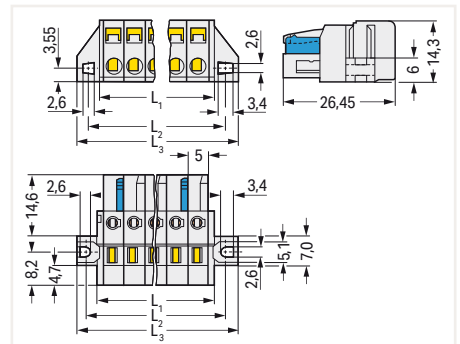
Pole No.	Item No.	PU
2	721-102/031-000	100
3	721-103/031-000	50
4	721-104/031-000	50
5	721-105/031-000	50
6	721-106/031-000	50
7	721-107/031-000	50
8	721-108/031-000	50
9	721-109/031-000	25
10	721-110/031-000	25
11	721-111/031-000	25
12	721-112/031-000	25
13	721-113/031-000	25
14	721-114/031-000	25
15	721-115/031-000	25
16	721-116/031-000	10
20	721-120/031-000	10



L = (pole no. x pin spacing) + 1.5 mm  
2-pole female connectors – one latch only



L = pole no. x pin spacing  
2-pole female connectors – one latch only



L<sub>1</sub> = (pole no. x pin spacing) + 3 mm  
L<sub>2</sub> = (pole no. x pin spacing) + 8.8 mm  
L<sub>3</sub> = (pole no. x pin spacing) + 14.8 mm  
2-pole female connectors – one latch only

PU = Packaging Unit; SPU = Subpackaging Unit; Dimensions in mm

Other variants can be requested via the WAGO sales department or, if necessary, configured at <https://configurator.wago.com/>:

- Other pole numbers
- Gold-plated or partially gold-plated contact surfaces

### 1-Conductor Female Connector ▶ MCS MIDI ▶ 721 Series

Pin spacing: 5 mm (0.197 inch) ▶ Actuation type: Operating tool ▶ CAGE CLAMP® ▶ Conductor entry direction to mating direction: 0° ▶ Color: light gray

Type of mounting: Feed-through mounting, Panel mounting ▶ Mounting type: Mounting flange ▶ with reinforcing strip

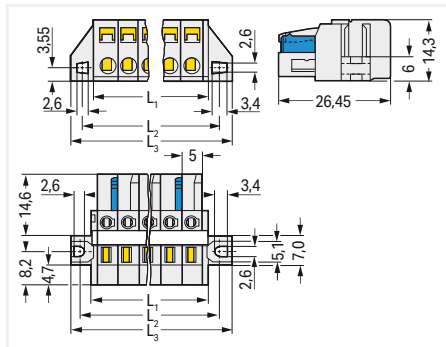
Type of mounting: Panel mounting ▶ Mounting type: Snap-in mounting foot



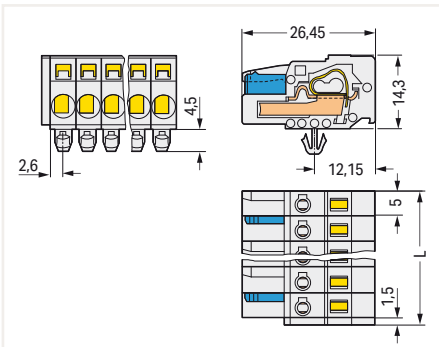
Pole No.	Item No.	PU
6	721-106/027-000	50
7	721-107/027-000	50
8	721-108/027-000	50
9	721-109/027-000	25
10	721-110/027-000	25
11	721-111/027-000	25
12	721-112/027-000	25
13	721-113/027-000	25
14	721-114/027-000	25
15	721-115/027-000	25
16	721-116/027-000	10
20	721-120/027-000	10

Pole No.	Item No.	PU
2	721-102/008-000	100
3	721-103/008-000	100
4	721-104/008-000	100
5	721-105/008-000	100
6	721-106/008-000	50
7	721-107/008-000	50
8	721-108/008-000	50
9	721-109/008-000	50
10	721-110/008-000	50
11	721-111/008-000	25
12	721-112/008-000	25
13	721-113/008-000	25
14	721-114/008-000	25
15	721-115/008-000	25
16	721-116/008-000	25
20	721-120/008-000	10

8



$L_1 = (\text{pole no.} \times \text{pin spacing}) + 3 \text{ mm}$   
 $L_2 = (\text{pole no.} \times \text{pin spacing}) + 8.8 \text{ mm}$   
 $L_3 = (\text{pole no.} \times \text{pin spacing}) + 14.8 \text{ mm}$   
 2-pole female connectors – one latch only



$L = (\text{pole no.} \times \text{pin spacing}) + 1.5 \text{ mm}$   
 2-pole female connectors – one latch only

PU = Packaging Unit; SPU = Subpackaging Unit; Dimensions in mm

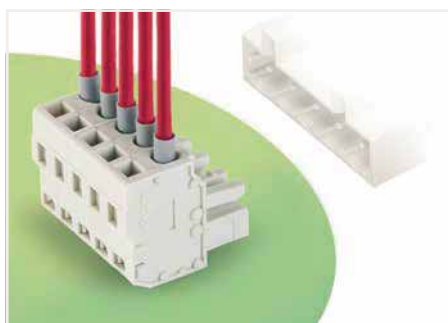
Other variants can be requested via the WAGO sales department or, if necessary, configured at <https://configurator.wago.com/>:

- Other pole numbers
- Gold-plated or partially gold-plated contact surfaces

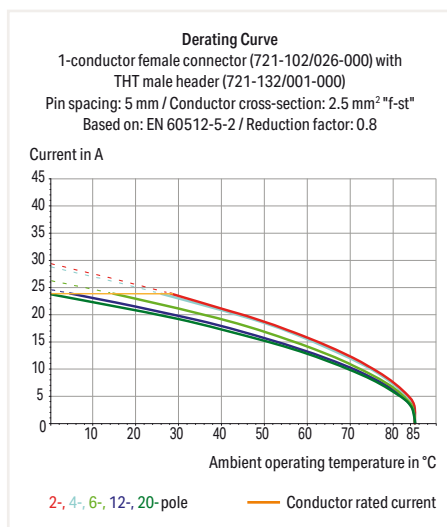


## 1-Conductor Female Connector ▶ MCS MIDI ▶ 722 Series

Pin spacing: 5 mm (0.197 inch) ▶ Actuation type: Operating tool ▶ CAGE CLAMP® ▶ Color: light gray



- Universal connection for all conductor types
- Easy cable pre-assembly and on-unit wiring via vertical and horizontal CAGE CLAMP® actuation
- Integrated test ports
- 100 % protected against mismating
- Coding option available



### Electrical Data

Ratings per	IEC/EN 60664-1		
Overvoltage category	III	III	II
Pollution degree	3	2	2
Rated voltage	320 V	320 V	630 V
Rated impulse voltage	4 kV	4 kV	4 kV
Rated current	14 A	14 A	14 A
Approvals per	UL 1059		
Use Group	B	C	D
Rated voltage	300 V	-	300 V
Rated current	15 A	-	10 A
Approvals per	UL 1977		
Rated voltage	600 V		
Rated current	-		
Approvals per	CSA		
Use Group	B	C	D
Rated voltage	300 V	-	300 V
Rated current	15 A	-	10 A

### Connection Data

Connection technology	CAGE CLAMP®
Strip length	8 ... 9 mm / 0.31 ... 0.35 inch
Solid conductor	0.08 ... 2.5 mm <sup>2</sup> / 28 ... 12 AWG
Fine-stranded conductor	0.08 ... 2.5 mm <sup>2</sup> / 28 ... 12 AWG
Fine-stranded conductor with ferrule with plastic collar	0.25 ... 1.5 mm <sup>2</sup>
Fine-stranded conductor with ferrule without plastic collar	0.25 ... 2.5 mm <sup>2</sup>

### Material Data

Material group	I
Insulating material	Polyamide 66 (PA 66)
Flammability class per UL94	V0
Clamping spring material	Chrome nickel spring steel (CrNi)
Contact material	Copper alloy
Contact plating	Tin-plated

### Environmental Requirements

Limit temperature range	-60 ... +85 °C
-------------------------	----------------

The *MULTI CONNECTION SYSTEM (MCS)* is designed without breaking capacity for compliance with DIN EN 61984. When used as intended, MCS Connectors shall not be connected/disconnected when live or under load. The circuit design should ensure header pins, which can be touched, are not live when unmated.

Ferrule	Page 847
General accessory	Page 537
Insulation stop	Page 537
Jumper	Page 543
Marking	Page 833
Strain relief	Page 540
Testing and measuring	Page 535, 854
Tools	Page 534
Direct marking	Page 526
Additional information, see "Technical Section"	
Approvals and corresponding ratings, visit <a href="http://www.wago.com">www.wago.com</a>	

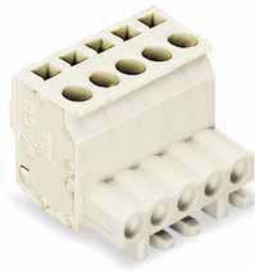
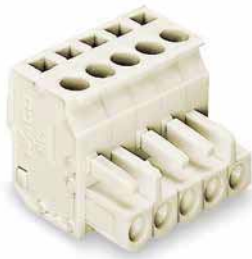


## 1-Conductor Female Connector ▶ MCS MIDI ▶ 722 Series

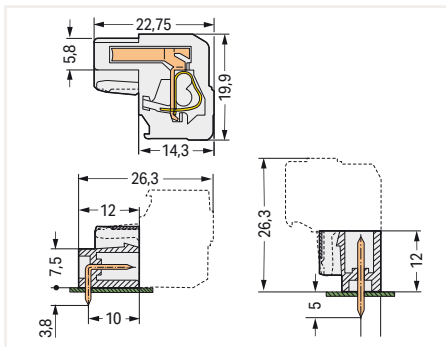
Pin spacing: 5 mm (0.197 inch) ▶ Actuation type: Operating tool ▶ CAGE CLAMP® ▶ Color: light gray

Conductor entry direction to mating direction: 90°

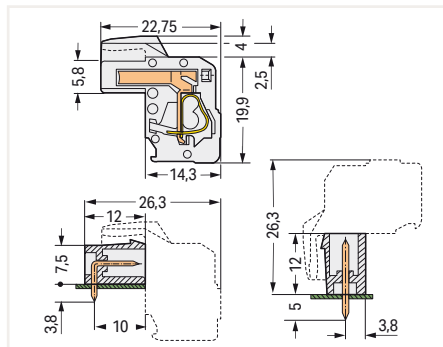
Conductor entry direction to mating direction: 270°



Pole No.	Item No.	PU	Pole No.	Item No.	PU
2	722-202/026-000	100	2	722-102/026-000	100
3	722-203/026-000	100	3	722-103/026-000	100
4	722-204/026-000	100	4	722-104/026-000	100
5	722-205/026-000	100	5	722-105/026-000	100
6	722-206/026-000	50	6	722-106/026-000	50
7	722-207/026-000	25	7	722-107/026-000	50
8	722-208/026-000	25	8	722-108/026-000	50
9	722-209/026-000	25	9	722-109/026-000	50
10	722-210/026-000	25	10	722-110/026-000	50
11	722-211/026-000	25	11	722-111/026-000	25
12	722-212/026-000	25	12	722-112/026-000	25
13	722-213/026-000	25	14	722-114/026-000	25
14	722-214/026-000	25	16	722-116/026-000	25
15	722-215/026-000	25	20	722-120/026-000	10
16	722-216/026-000	10			
20	722-220/026-000	10			



Total length = (pole no. x pin spacing) + 1.5 mm + 0.9 mm  
2-pole female connectors – one latch only



Total length = (pole no. x pin spacing) + 1.5 mm + 0.9 mm  
2-pole female connectors – one latch only

PU = Packaging Unit; SPU = Subpackaging Unit; Dimensions in mm

Other variants can be requested via the WAGO sales department or, if necessary, configured at <https://configurator.wago.com/>:

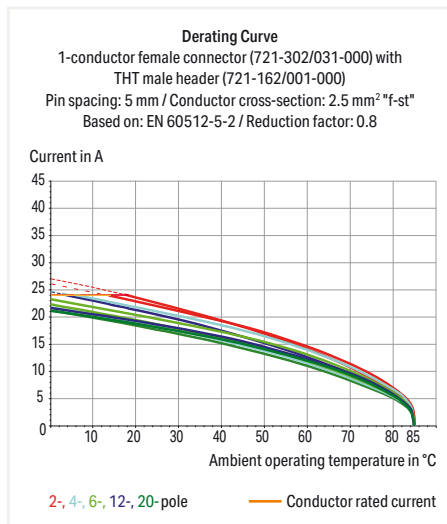
- Other pole numbers
- Gold-plated or partially gold-plated contact surfaces

## 1-Conductor Female Connector ▶ MCS MIDI ▶ 721 Series

Pin spacing: 5 mm (0.197 inch) ▶ Actuation type: Operating tool ▶ CAGE CLAMP® ▶ Conductor entry direction to mating direction: 90° ▶ Color: light gray



- Universal connection for all conductor types
- Versions available with snap-in mounting feet or flanges for panel or through-panel mounting
- Mounting adapter allows versions with snap-in mounting feet to be DIN-rail mounted
- Easy conductor termination, even when halves are mated
- 100 % protected against mismatching



### Electrical Data

Ratings per	IEC/EN 60664-1		
Overvoltage category	III	III	II
Pollution degree	3	2	2
Rated voltage	320 V	320 V	630 V
Rated impulse voltage	4 kV	4 kV	4 kV
Rated current	12 A	12 A	12 A
Approvals per	UL 1059		
Use Group	B	C	D
Rated voltage	300 V	-	300 V
Rated current	15 A	-	10 A
Approvals per	UL 1977		
Rated voltage	600 V		
Rated current	-		
Approvals per	CSA		
Use Group	B	C	D
Rated voltage	300 V	-	300 V
Rated current	15 A	-	10 A

### Connection Data

Connection technology	CAGE CLAMP®
Strip length	7 ... 8 mm / 0.28 ... 0.31 inch
Solid conductor	0.08 ... 2.5 mm <sup>2</sup> / 28 ... 12 AWG
Fine-stranded conductor	0.08 ... 2.5 mm <sup>2</sup> / 28 ... 12 AWG
Fine-stranded conductor with ferrule with plastic collar	0.25 ... 1.5 mm <sup>2</sup>
Fine-stranded conductor with ferrule without plastic collar	0.25 ... 2.5 mm <sup>2</sup>

### Material Data

Material group	I
Insulating material	Polyamide 66 (PA 66)
Flammability class per UL94	V0
Clamping spring material	Chrome nickel spring steel (CrNi)
Contact material	Copper alloy
Contact plating	Tin-plated

### Environmental Requirements

Limit temperature range	-60 ... +85 °C
-------------------------	----------------

The *MULTI CONNECTION SYSTEM (MCS)* is designed without breaking capacity for compliance with DIN EN 61984. When used as intended, MCS Connectors shall not be connected/disconnected when live or under load. The circuit design should ensure header pins, which can be touched, are not live when unmated.

Ferrule	Page 847
General accessory	Page 537
Jumper	Page 543
Marking	Page 833
Mounting	Page 542
Strain relief	Page 540
Testing and measuring	Page 535
Tools	Page 534
Direct marking	Page 526
Cutout dimensions	Page 530
Additional information, see "Technical Section"	
Approvals and corresponding ratings, visit <a href="http://www.wago.com">www.wago.com</a>	

### 1-Conductor Female Connector ▶ MCS MIDI ▶ 721 Series

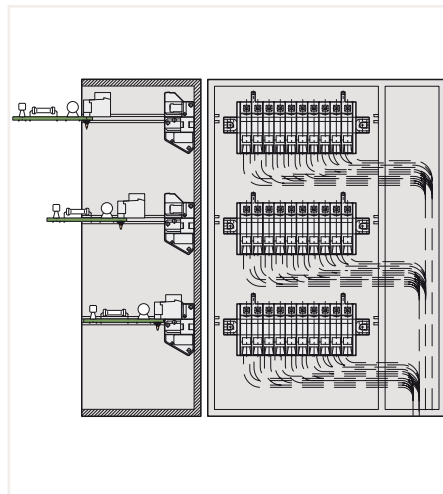
Pin spacing: 5 mm (0.197 inch) ▶ Actuation type: Operating tool ▶ CAGE CLAMP® ▶ Conductor entry direction to mating direction: 90° ▶ Color: light gray

Type of mounting: Feed-through mounting, Panel mounting ▶ Mounting type: Snap-in mounting foot

Type of mounting: Panel mounting ▶ Mounting type: Mounting flange



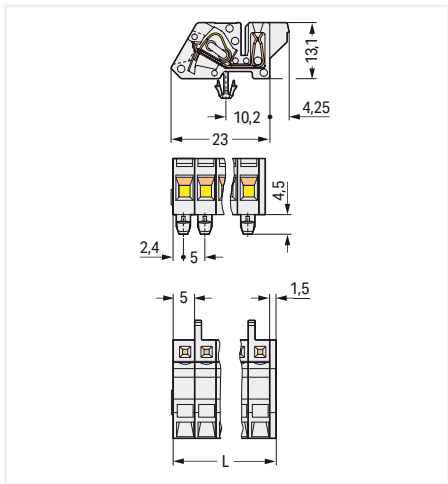
Pole No.	Item No.	PU	Pole No.	Item No.	PU
2	721-302/008-000	100	2	721-302/031-000	100
3	721-303/008-000	50	3	721-303/031-000	50
4	721-304/008-000	50	4	721-304/031-000	50
5	721-305/008-000	50	5	721-305/031-000	50
6	721-306/008-000	25	6	721-306/031-000	50
7	721-307/008-000	50	7	721-307/031-000	50
8	721-308/008-000	50	8	721-308/031-000	50
9	721-309/008-000	50	9	721-309/031-000	25
10	721-310/008-000	50	10	721-310/031-000	25
11	721-311/008-000	25	11	721-311/031-000	25
12	721-312/008-000	25	12	721-312/031-000	25
13	721-313/008-000	25	13	721-313/031-000	10
14	721-314/008-000	10	14	721-314/031-000	25
15	721-315/008-000	10	15	721-315/031-000	10
16	721-316/008-000	25	16	721-316/031-000	10
20	721-320/008-000	10	20	721-320/031-000	10



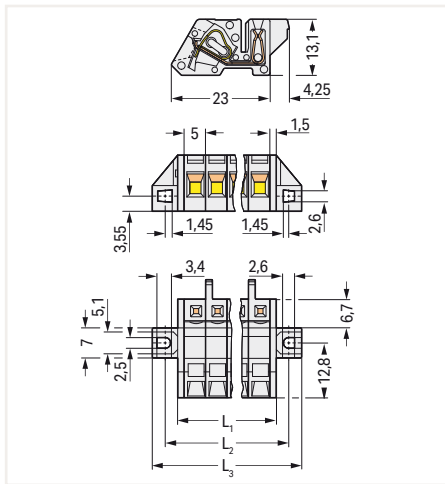
Multilevel arrangement in a distributed electronic housing



Angled female connector – a male header with straight solder pins is used for horizontal PCB mounting in narrow housings.



$L = (\text{pole no.} \times \text{pin spacing}) + 1.5 \text{ mm}$



$L_1 = (\text{pole no.} \times \text{pin spacing}) + 3 \text{ mm}$   
 $L_2 = (\text{pole no.} \times \text{pin spacing}) + 8.8 \text{ mm}$   
 $L_3 = (\text{pole no.} \times \text{pin spacing}) + 14.8 \text{ mm}$

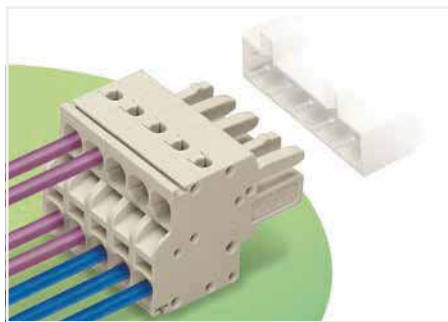
PU = Packaging Unit; SPU = Subpackaging Unit; Dimensions in mm

Other variants can be requested via the WAGO sales department or, if necessary, configured at <https://configurator.wago.com/>:

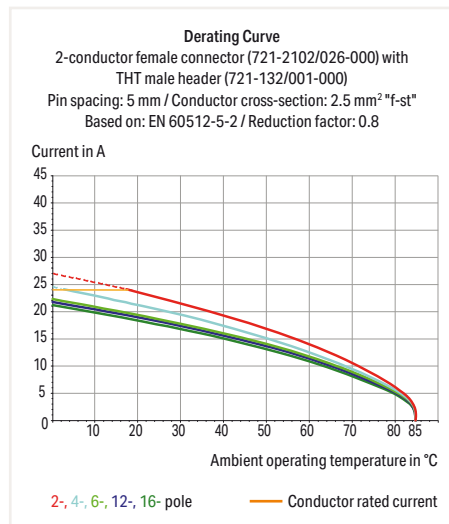
- Other pole numbers
- Gold-plated or partially gold-plated contact surfaces

## 2-Conductor Female Connector ▶ MCS MIDI ▶ 721 Series

Pin spacing: 5 mm (0.197 inch) ▶ Actuation type: Operating tool ▶ Push-in CAGE CLAMP® ▶ Conductor entry direction to mating direction: 0° ▶ Color: light gray



- Universal connection for all conductor types
- Two conductor entries per pole
- For looping through power or Data buses
- Bus connection is retained, even when unmated
- Push-in terminations of solid and ferruled conductors
- 100 % protected against mismatching
- With coding fingers



### Electrical Data

Ratings per	IEC/EN 60664-1		
Overvoltage category	III	III	II
Pollution degree	3	2	2
Rated voltage	320 V	320 V	630 V
Rated impulse voltage	4 kV	4 kV	4 kV
Rated current	16 A	16 A	16 A
Approvals per	UL 1059		
Use Group	B	C	D
Rated voltage	300 V	-	300 V
Rated current	20 A	-	10 A
Approvals per	UL 1977		
Rated voltage	600 V		
Rated current	-		
Approvals per	CSA		
Use Group	B	C	D
Rated voltage	300 V	-	300 V
Rated current	15 A	-	10 A

### Connection Data

Connection technology	Push-in CAGE CLAMP®
Strip length	9 ... 10 mm / 0.35 ... 0.39 inch
Solid conductor	0.2 ... 2.5 mm <sup>2</sup> / 24 ... 12 AWG
Fine-stranded conductor	0.2 ... 2.5 mm <sup>2</sup> / 24 ... 12 AWG
Fine-stranded conductor with ferrule with plastic collar	0.25 ... 1.5 mm <sup>2</sup>
Fine-stranded conductor with ferrule without plastic collar	0.25 ... 2.5 mm <sup>2</sup>

### Material Data

Material group	I
Insulating material	Polyamide 66 (PA 66)
Flammability class per UL94	V0
Clamping spring material	Chrome nickel spring steel (CrNi)
Contact material	Copper alloy
Contact plating	Tin-plated

### Environmental Requirements

Limit temperature range	-60 ... +85 °C
-------------------------	----------------

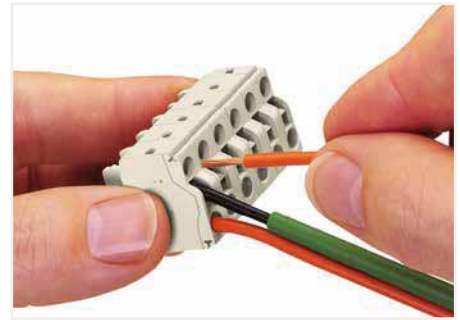
The *MULTI CONNECTION SYSTEM (MCS)* is designed without breaking capacity for compliance with DIN EN 61984. When used as intended, MCS Connectors shall not be connected/disconnected when live or under load. The circuit design should ensure header pins, which can be touched, are not live when unmated.

Ferrule	Page 847
Insulation stop	Page 537
Marking	Page 833
Strain relief	Page 539
Testing and measuring	Page 535, 854
Tools	Page 535
Direct marking	Page 526
Additional information, see "Technical Section"	
Approvals and corresponding ratings, visit <a href="http://www.wago.com">www.wago.com</a>	

## 2-Conductor Female Connector ▶ MCS MIDI ▶ 721 Series

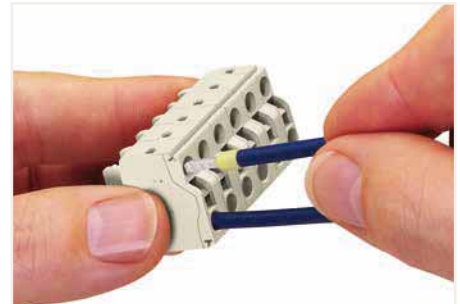
Pin spacing: 5 mm (0.197 inch) ▶ Actuation type: Operating tool ▶ Push-in CAGE CLAMP® ▶ Conductor entry direction to mating direction: 0° ▶ Color: light gray

Locking of plug-in connection: locking lever

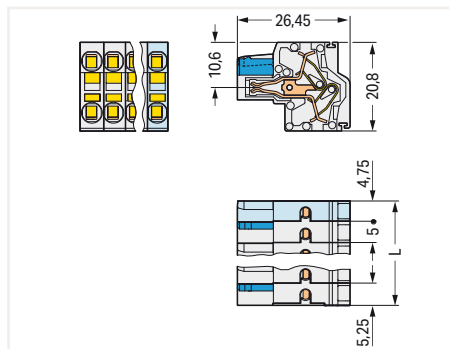


Operating Push-in CAGE CLAMP® is easy, fast and identical to that of CAGE CLAMP®. The screwdriver is fully inserted into the operating slot, holding Push-in CAGE CLAMP® open. After the conductor has been inserted into the clamping unit and the screwdriver been withdrawn, the conductor is clamped safely. Solid and fine-stranded conductors < 0.5 mm² (20 AWG) are terminated and removed using a screwdriver.

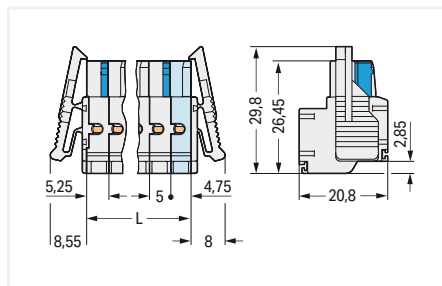
Pole No.	Item No.	PU	Pole No.	Item No.	PU
2	721-2102/026-000	100	2	721-2102/037-000	100
3	721-2103/026-000	100	3	721-2103/037-000	50
4	721-2104/026-000	100	4	721-2104/037-000	50
5	721-2105/026-000	50	5	721-2105/037-000	50
6	721-2106/026-000	50	6	721-2106/037-000	50
7	721-2107/026-000	50	7	721-2107/037-000	50
8	721-2108/026-000	50	8	721-2108/037-000	25
9	721-2109/026-000	50	9	721-2109/037-000	25
10	721-2110/026-000	50	10	721-2110/037-000	25
11	721-2111/026-000	25	11	721-2111/037-000	25
12	721-2112/026-000	25	12	721-2112/037-000	25
13	721-2113/026-000	25	13	721-2113/037-000	25
14	721-2114/026-000	25	14	721-2114/037-000	25
15	721-2115/026-000	25	15	721-2115/037-000	10
16	721-2116/026-000	25	16	721-2116/037-000	10



Solid conductors ≥ 0.5 mm² (20 AWG), as well as fer-ruled, fine-stranded conductors can be terminated by simply pushing them into unit. Integrated test ports allow touch contact with current bar via test probes in both horizontal and vertical directions.



L = (pole no. - 2) x pin spacing + 10 mm  
2-pole female connectors – one latch only



L = (pole no. - 2) x pin spacing + 10 mm  
2-pole female connectors – one latch only

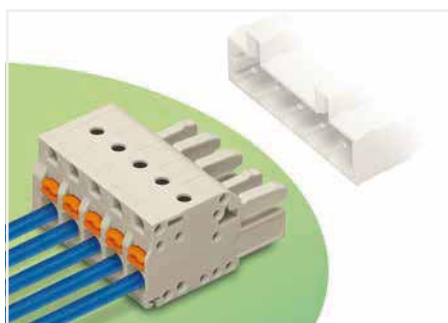
PU = Packaging Unit; SPU = Subpackaging Unit; Dimensions in mm

Other variants can be requested via the WAGO sales department or, if necessary, configured at <https://configurator.wago.com/>:

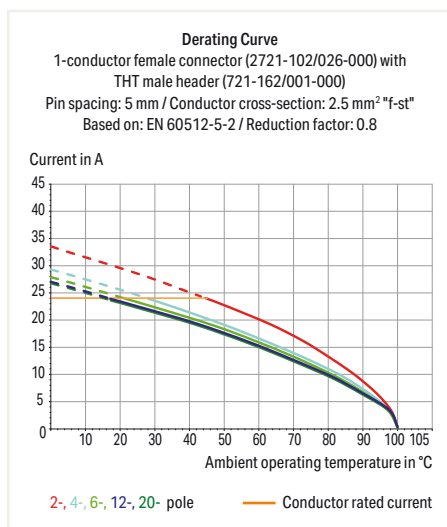
- Other pole numbers
- Gold-plated or partially gold-plated contact surfaces

## 1-Conductor Female Connector ▶ MCS MIDI ▶ 2721 Series

Pin spacing: 5 mm (0.197 inch) ▶ Actuation type: Push-button ▶ Push-in CAGE CLAMP® ▶ Conductor entry direction to mating direction: 0° ▶ Color: light gray



- Universal connection for all conductor types
- Easy-to-use design does not require specialty tools
- Ability to wire while mated
- Push-in termination of solid and ferruled conductors
- Integrated test ports for testing parallel to the conductor entry
- 100 % protected against mismatching
- With coding fingers



### Electrical Data

Ratings per	IEC/EN 60664-1		
Overtoltage category	III	III	II
Pollution degree	3	2	2
Rated voltage	320 V	320 V	630 V
Rated impulse voltage	4 kV	4 kV	4 kV
Rated current	16 A	16 A	16 A
Approvals per	UL 1059		
Use Group	B	C	D
Rated voltage	300 V	150 V	300 V
Rated current	15 A	15 A	10 A
Approvals per	UL 1977		
Rated voltage	600 V		
Rated current	-		
Approvals per	CSA		
Use Group	B	C	D
Rated voltage	300 V	300 V	300 V
Rated current	15 A	15 A	10 A

### Connection Data

Connection technology	Push-in CAGE CLAMP®
Strip length	10 ... 11 mm / 0.39 ... 0.43 inch
Solid conductor	0.2 ... 2.5 mm <sup>2</sup> / 24 ... 12 AWG
Fine-stranded conductor	0.2 ... 2.5 mm <sup>2</sup> / 24 ... 12 AWG
Fine-stranded conductor with ferrule with plastic collar	0.25 ... 1.5 mm <sup>2</sup>
Fine-stranded conductor with ferrule without plastic collar	0.25 ... 2.5 mm <sup>2</sup>

### Material Data

Material group	I
Insulating material	Polyamide 66 (PA 66)
Flammability class per UL94	V0
Clamping spring material	Chrome nickel spring steel (CrNi)
Contact material	Copper alloy
Contact plating	Tin-plated

### Environmental Requirements

Limit temperature range	-60 ... +100 °C
-------------------------	-----------------

The *MULTI CONNECTION SYSTEM (MCS)* is designed without breaking capacity for compliance with DIN EN 61984. When used as intended, MCS Connectors shall not be connected/disconnected when live or under load. The circuit design should ensure header pins, which can be touched, are not live when unmated.

Ferrule	Page 847
Insulation stop	Page 537
Marking	Page 833
Mounting	Page 542
Mounting adapter	Page 543
Strain relief	Page 539
Testing and measuring	Page 535, 854
Tools	Page 534, 838
Direct marking	Page 526
Cutout dimensions	Page 530
Additional information, see "Technical Section"	
Approvals and corresponding ratings, visit <a href="http://www.wago.com">www.wago.com</a>	

# 1-Conductor Female Connector ▶ MCS MIDI ▶ 2721 Series

Pin spacing: 5 mm (0.197 inch) ▶ Actuation type: Push-button ▶ Push-in CAGE CLAMP® ▶ Conductor entry direction to mating direction: 0° ▶ Color: light gray

Locking of plug-in connection: locking lever

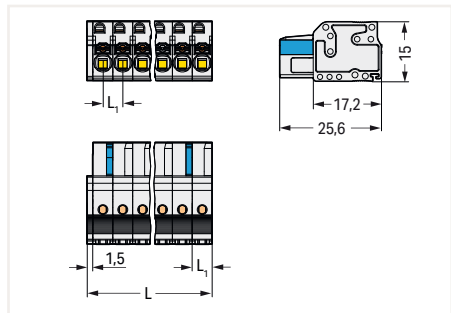
Type of mounting: Feed-through mounting, Panel mounting ▶ Mounting type: Mounting flange



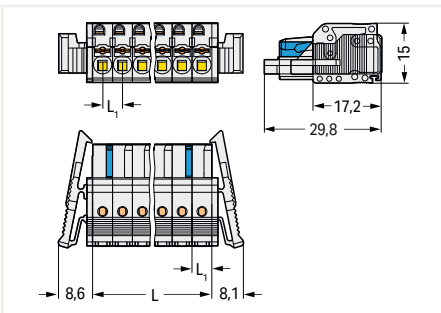
Pole No.	Item No.	PU
2	2721-102/026-000	100
3	2721-103/026-000	100
4	2721-104/026-000	100
5	2721-105/026-000	100
5	2721-115/026-000	25
6	2721-106/026-000	50
7	2721-107/026-000	50
8	2721-108/026-000	50
9	2721-109/026-000	50
10	2721-110/026-000	50
11	2721-111/026-000	25
12	2721-112/026-000	25
13	2721-113/026-000	25
14	2721-114/026-000	25
16	2721-116/026-000	25
20	2721-120/026-000	10

Pole No.	Item No.	PU
2	2721-102/037-000	100
3	2721-103/037-000	50
4	2721-104/037-000	50
5	2721-105/037-000	50
6	2721-106/037-000	50
7	2721-107/037-000	50
8	2721-108/037-000	25
9	2721-109/037-000	25
10	2721-110/037-000	25
11	2721-111/037-000	25
12	2721-112/037-000	25
14	2721-114/037-000	25
15	2721-115/037-000	25
16	2721-116/037-000	10
20	2721-120/037-000	10

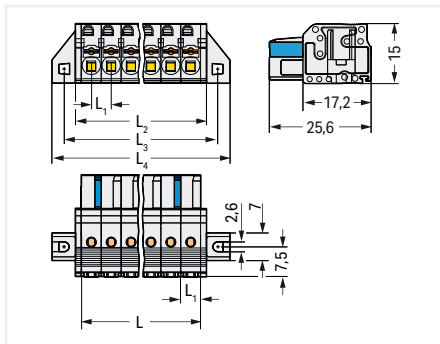
Pole No.	Item No.	PU
2	2721-102/031-000	100
3	2721-103/031-000	50
4	2721-104/031-000	50
5	2721-105/031-000	50
6	2721-106/031-000	50
7	2721-107/031-000	50
8	2721-108/031-000	50
9	2721-109/031-000	50
10	2721-110/031-000	25
12	2721-112/031-000	25
14	2721-114/031-000	10
16	2721-116/031-000	10
20	2721-120/031-000	10



L = (pole no. x pin spacing) + 1.5 mm  
L<sub>1</sub> = 5 mm  
2-pole female connectors – one latch only



L = (pole no. x pin spacing) + 1.5 mm  
L<sub>1</sub> = 5 mm  
2-pole female connectors – one latch only



L = pole no. x pin spacing  
L<sub>1</sub> = 5 mm  
L<sub>2</sub> = L + 2.8 mm  
L<sub>3</sub> = L + 8.8 mm  
L<sub>4</sub> = L + 14.8 mm  
2-pole female connectors – one latch only

PU = Packaging Unit; SPU = Subpackaging Unit; Dimensions in mm

Other variants can be requested via the WAGO sales department or, if necessary, configured at <https://configurator.wago.com/>:

- Other pole numbers
- Gold-plated or partially gold-plated contact surfaces

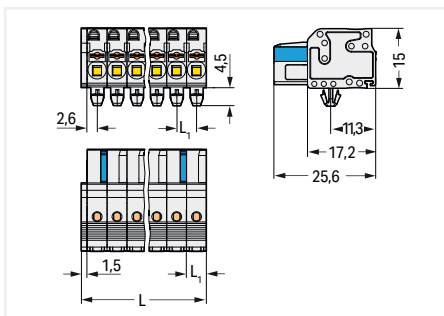
**1-conductor Female Connector ▶ MCS MIDI ▶ 2721 Series**

Pin spacing: 5 mm (0.197 inch) ▶ Actuation type: Push-button ▶ Push-in CAGE CLAMP® ▶ Conductor entry direction to mating direction: 0° ▶ Color: light gray

Type of mounting: Panel mounting ▶ Mounting type: Snap-in mounting foot



Pole No.	Item No.	PU
2	2721-102/008-000	100
3	2721-103/008-000	100
4	2721-104/008-000	100
5	2721-105/008-000	100
6	2721-106/008-000	50
7	2721-107/008-000	50
8	2721-108/008-000	50
9	2721-109/008-000	50
10	2721-110/008-000	50
11	2721-111/008-000	25
12	2721-112/008-000	25
14	2721-114/008-000	25
15	2721-115/008-000	25
16	2721-116/008-000	25
20	2721-120/008-000	25



$L = (\text{pole no.} \times \text{pin spacing}) + 1.5 \text{ mm}$

$L_1 = 5 \text{ mm}$

2-pole female connectors – one latch only

PU = Packaging Unit; SPU = Subpackaging Unit; Dimensions in mm

Other variants can be requested via the WAGO sales department or, if necessary, configured at <https://configurator.wago.com/>:

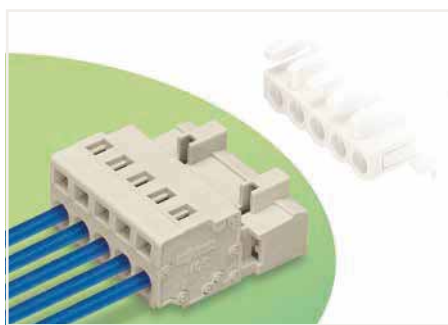
- Other pole numbers
- Gold-plated or partially gold-plated contact surfaces



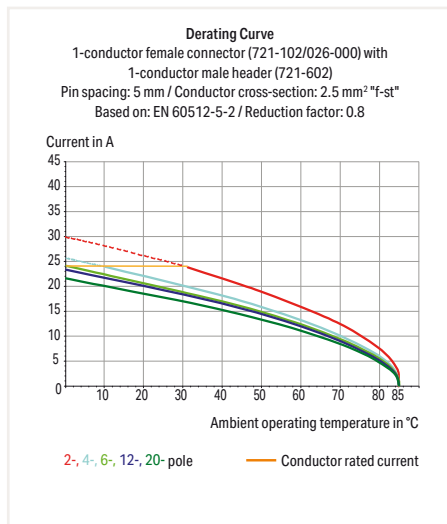


## 1-Conductor Male Connector ▶ MCS MIDI ▶ 721 Series

Pin spacing: 5 mm (0.197 inch) ▶ Actuation type: Operating tool ▶ CAGE CLAMP® ▶ Conductor entry direction to mating direction: 0° ▶ Color: light gray



- Universal connection for all conductor types
- Easy cable pre-assembly and on-unit wiring via vertical and horizontal CAGE CLAMP® actuation
- For wire-to-wire and board-to-wire connections
- Versions available with snap-in mounting feet or flanges for panel or through-panel mounting
- 3- to 5-pole male connectors are also available with preceding ground contact
- 100 % protected against mismatching
- With coding fingers



### Electrical Data

Ratings per	IEC/EN 60664-1		
Overtoltage category	III	III	II
Pollution degree	3	2	2
Rated voltage	320 V	320 V	630 V
Rated impulse voltage	4 kV	4 kV	4 kV
Rated current	12 A	12 A	12 A
Approvals per	UL 1059		
Use Group	B	C	D
Rated voltage	300 V	-	300 V
Rated current	15 A	-	10 A
Approvals per	UL 1977		
Rated voltage	600 V		
Rated current	-		
Approvals per	CSA		
Use Group	B	C	D
Rated voltage	300 V	-	300 V
Rated current	15 A	-	10 A

### Connection Data

Connection technology	CAGE CLAMP®
Strip length	8 ... 9 mm / 0.31 ... 0.35 inch
Solid conductor	0.08 ... 2.5 mm <sup>2</sup> / 28 ... 12 AWG
Fine-stranded conductor	0.08 ... 2.5 mm <sup>2</sup> / 28 ... 12 AWG
Fine-stranded conductor with ferrule with plastic collar	0.25 ... 1.5 mm <sup>2</sup>
Fine-stranded conductor with ferrule without plastic collar	0.25 ... 2.5 mm <sup>2</sup>

### Material Data

Material group	I
Insulating material	Polyamide 66 (PA 66)
Flammability class per UL94	V0
Clamping spring material	Chrome nickel spring steel (CrNi)
Contact material	Electrolytic copper (Ecu)
Contact plating	Tin-plated

### Environmental Requirements

Limit temperature range	-60 ... +100 °C
-------------------------	-----------------

The *MULTI CONNECTION SYSTEM (MCS)* is designed without breaking capacity for compliance with DIN EN 61984. When used as intended, MCS Connectors shall not be connected/disconnected when live or under load. The circuit design should ensure header pins, which can be touched, are not live when unmated.

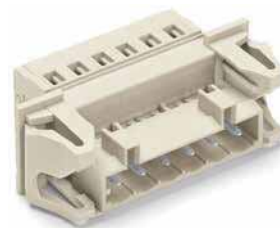
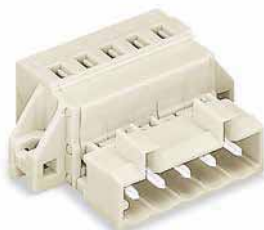
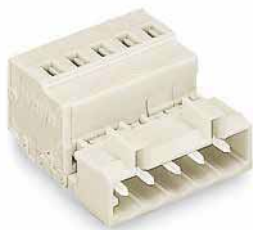
Coding	Page 536
Ferrule	Page 847
General accessory	Page 537
Insulation stop	Page 537
Jumper	Page 543
Marking	Page 833
Mounting	Page 537, 837
Mounting adapter	Page 543
Strain relief	Page 540
Tools	Page 534, 838
Direct marking	Page 526
Cutout dimensions	Page 530
Additional information, see "Technical Section"	
Approvals and corresponding ratings, visit <a href="http://www.wago.com">www.wago.com</a>	

### 1-Conductor Male Connector ▶ MCS MIDI ▶ 721 Series

Pin spacing: 5 mm (0.197 inch) ▶ Actuation type: Operating tool ▶ CAGE CLAMP® ▶ Conductor entry direction to mating direction: 0° ▶ Color: light gray

Type of mounting: Feed-through mounting, Panel mounting ▶ Mounting type: Mounting flange

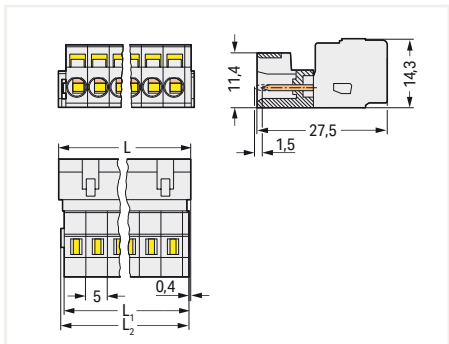
Type of mounting: Feed-through mounting ▶ Mounting type: Snap-in



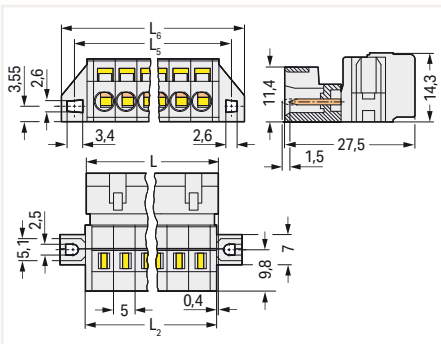
Pole No.	Item No.	PU
2	721-602	100
3	721-603	100
4	721-604	100
5	721-605	50
6	721-606	50
7	721-607	50
8	721-608	50
9	721-609	50
10	721-610	50
11	721-611	25
12	721-612	25
13	721-613	25
14	721-614	25
15	721-615	25
16	721-616	25
20	721-620	10

Pole No.	Item No.	PU
2	721-602/019-000	100
3	721-603/019-000	50
4	721-604/019-000	50
5	721-605/019-000	50
6	721-606/019-000	50
7	721-607/019-000	50
8	721-608/019-000	50
9	721-609/019-000	25
10	721-610/019-000	25
11	721-611/019-000	25
12	721-612/019-000	25
13	721-613/019-000	25
14	721-614/019-000	25
15	721-615/019-000	25
16	721-616/019-000	10
20	721-620/019-000	10

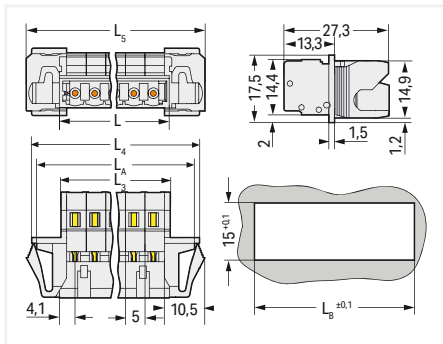
Pole No.	Item No.	PU
2	721-602/114-000	50
3	721-603/114-000	50
4	721-604/114-000	50
5	721-605/114-000	50
6	721-606/114-000	50
7	721-607/114-000	25
8	721-608/114-000	25
9	721-609/114-000	25
10	721-610/114-000	25
11	721-611/114-000	25
12	721-612/114-000	25
13	721-613/114-000	25
14	721-614/114-000	25
15	721-615/114-000	10
16	721-616/114-000	10
20	721-620/114-000	10



L = (pole no. - 1) x pin spacing + 8.2 mm  
 L<sub>2</sub> = L - 1.7 mm  
 L<sub>3</sub> = L - 1.2 mm



L = (pole no. - 1) x pin spacing + 8.2 mm  
 L<sub>2</sub> = L - 0.2 mm  
 L<sub>5</sub> = L<sub>2</sub> + 5.8 mm  
 L<sub>6</sub> = L<sub>2</sub> + 11.8 mm



L = (pole no. x pin spacing) + 3.2 mm  
 L<sub>3</sub> = L - 0.2 mm  
 L<sub>2</sub> = L<sub>3</sub> + 15.2 mm  
 L<sub>5</sub> = L<sub>3</sub> + 18 mm  
 L<sub>7</sub> = L<sub>3</sub> + 12.6 mm  
 L<sub>8</sub> = L<sub>3</sub> + 13.2 mm

PU = Packaging Unit; SPU = Subpackaging Unit; Dimensions in mm

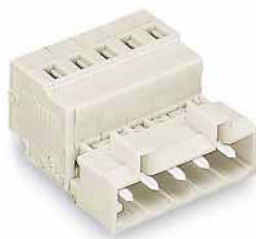
Other variants can be requested via the WAGO sales department or, if necessary, configured at <https://configurator.wago.com/>:

- Other pole numbers
- Gold-plated or partially gold-plated contact surfaces

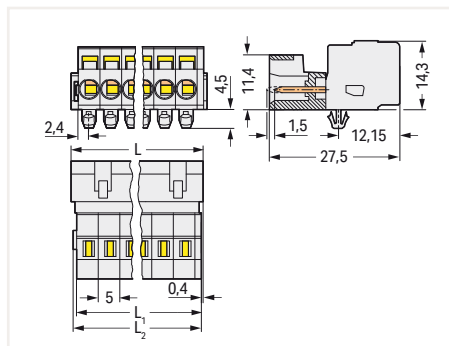
## 1-Conductor Male Connector ▶ MCS MIDI ▶ 721 Series

Pin spacing: 5 mm (0.197 inch) ▶ Actuation type: Operating tool ▶ CAGE CLAMP® ▶ Conductor entry direction to mating direction: 0° ▶ Color: light gray

Type of mounting: Panel mounting ▶ Mounting type:  
Snap-in mounting foot



Pole No.	Item No.	PU
2	721-602/018-000	100
3	721-603/018-000	100
4	721-604/018-000	100
5	721-605/018-000	50
6	721-606/018-000	50
7	721-607/018-000	50
8	721-608/018-000	50
9	721-609/018-000	50
10	721-610/018-000	50
11	721-611/018-000	25
12	721-612/018-000	25
13	721-613/018-000	25
14	721-614/018-000	25
15	721-615/018-000	25
16	721-616/018-000	25
20	721-620/018-000	10



$L = (\text{pole no.} - 1) \times \text{pin spacing} + 8.2 \text{ mm}$

$L_2 = L - 1.7 \text{ mm}$

$L_3 = L - 1.2 \text{ mm}$

PU = Packaging Unit; SPU = Subpackaging Unit; Dimensions in mm

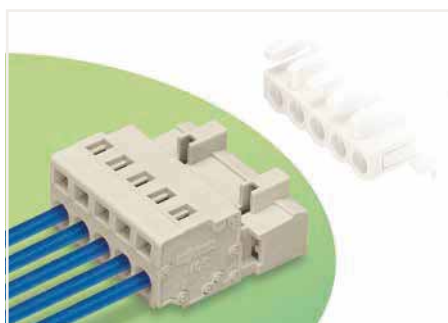
Other variants can be requested via the WAGO sales department or, if necessary, configured at <https://configurator.wago.com/>:

- Other pole numbers
- Gold-plated or partially gold-plated contact surfaces

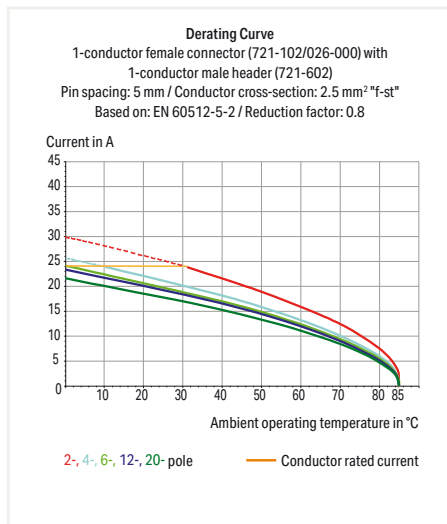


## 1-Conductor Male Connector ▶ MCS MIDI ▶ 721 Series

Pin spacing: 5 mm (0.197 inch) ▶ Actuation type: Operating tool ▶ CAGE CLAMP® ▶ with preceding GND contact ▶ Conductor entry direction to mating direction: 0° ▶ Color: light gray



- Universal connection for all conductor types
- Easy cable pre-assembly and on-unit wiring via vertical and horizontal CAGE CLAMP® actuation
- For wire-to-wire and board-to-wire connections
- Versions available with snap-in mounting feet or flanges for panel or through-panel mounting
- 3- to 5-pole male connectors are also available with preceding ground contact
- 100 % protected against mismatching
- With coding fingers



### Electrical Data

Ratings per		IEC/EN 60664-1		
Overvoltage category		III	III	II
Pollution degree		3	2	2
Rated voltage		320 V	320 V	630 V
Rated impulse voltage		4 kV	4 kV	4 kV
Rated current		12 A	12 A	12 A
Approvals per		UL 1059		
Use Group		B	C	D
Rated voltage		300 V	-	300 V
Rated current		15 A	-	10 A
Approvals per		UL 1977		
Rated voltage		600 V		
Rated current		-		
Approvals per		CSA		
Use Group		B	C	D
Rated voltage		300 V	-	300 V
Rated current		15 A	-	10 A

### Connection Data

Connection technology	CAGE CLAMP®
Strip length	8 ... 9 mm / 0.31 ... 0.35 inch
Solid conductor	0.08 ... 2.5 mm <sup>2</sup> / 28 ... 12 AWG
Fine-stranded conductor	0.08 ... 2.5 mm <sup>2</sup> / 28 ... 12 AWG
Fine-stranded conductor with ferrule with plastic collar	0.25 ... 1.5 mm <sup>2</sup>
Fine-stranded conductor with ferrule without plastic collar	0.25 ... 2.5 mm <sup>2</sup>

### Material Data

Material group	I
Insulating material	Polyamide 66 (PA 66)
Flammability class per UL94	V0
Clamping spring material	Chrome nickel spring steel (CrNi)
Contact material	Electrolytic copper (Ecu)
Contact plating	Tin-plated

### Environmental Requirements

Limit temperature range	-60 ... +100 °C
-------------------------	-----------------

The *MULTI CONNECTION SYSTEM (MCS)* is designed without breaking capacity for compliance with DIN EN 61984. When used as intended, MCS Connectors shall not be connected/disconnected when live or under load. The circuit design should ensure header pins, which can be touched, are not live when unmated.

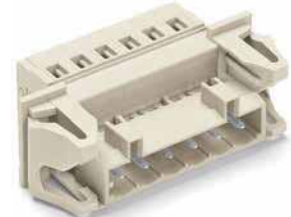
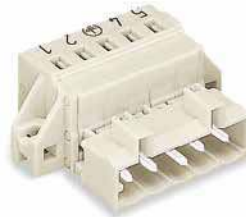
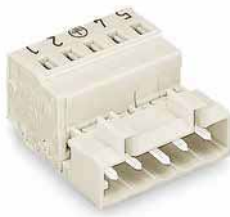
Coding	Page 536
Ferrule	Page 847
General accessory	Page 537
Insulation stop	Page 537
Jumper	Page 543
Mounting	Page 537, 837
Mounting adapter	Page 543
Strain relief	Page 540
Tools	Page 534, 838
Direct marking	Page 526
Cutout dimensions	Page 530
Additional information, see "Technical Section"	
Approvals and corresponding ratings, visit <a href="http://www.wago.com">www.wago.com</a>	

### 1-Conductor Male Connector ▶ MCS MIDI ▶ 721 Series

Pin spacing: 5 mm (0.197 inch) ▶ Actuation type: Operating tool ▶ CAGE CLAMP® ▶ with preceding GND contact ▶ Conductor entry direction to mating direction: 0° ▶ Color: light gray

Type of mounting: Feed-through mounting, Panel mounting ▶ Mounting type: Mounting flange

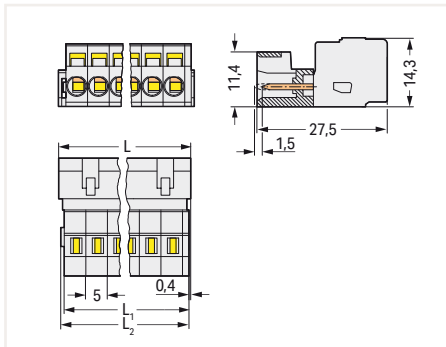
Type of mounting: Feed-through mounting ▶ Mounting type: Snap-in



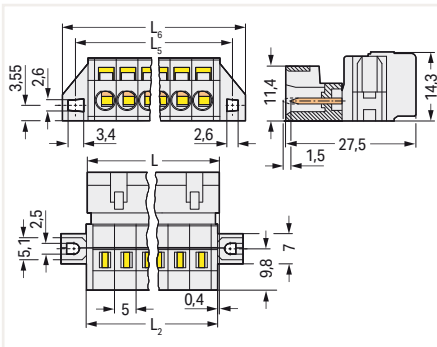
Pole No.	Item No.	PU
3	721-603/000-042	100
4	721-604/000-042	100
5	721-605/000-042	50

Pole No.	Item No.	PU
3	721-603/019-042	50
4	721-604/019-042	50
5	721-605/019-042	50

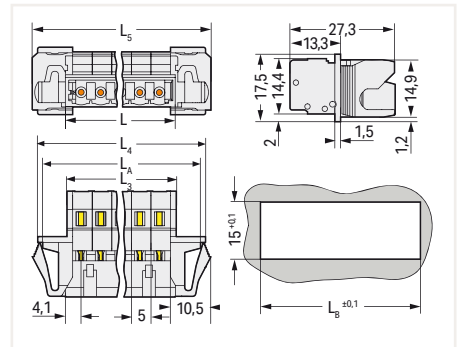
Pole No.	Item No.	PU
3	721-603/114-042	50
4	721-604/114-042	50
5	721-605/114-042	50



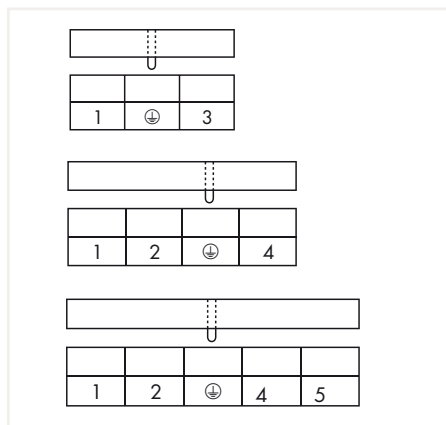
$L = (\text{pole no.} - 1) \times \text{pin spacing} + 8.2 \text{ mm}$   
 $L_2 = L - 1.7 \text{ mm}$   
 $L_3 = L - 1.2 \text{ mm}$



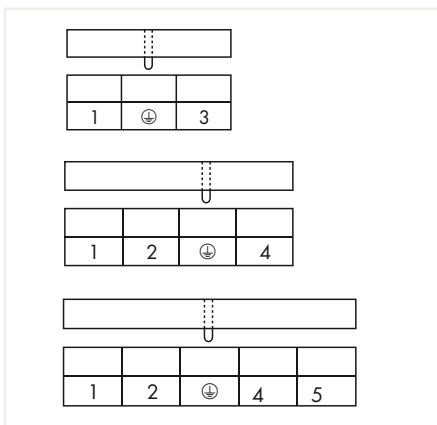
$L = (\text{pole no.} - 1) \times \text{pin spacing} + 8.2 \text{ mm}$   
 $L_2 = L - 0.2 \text{ mm}$   
 $L_5 = L_2 + 5.8 \text{ mm}$   
 $L_6 = L_2 + 11.8 \text{ mm}$



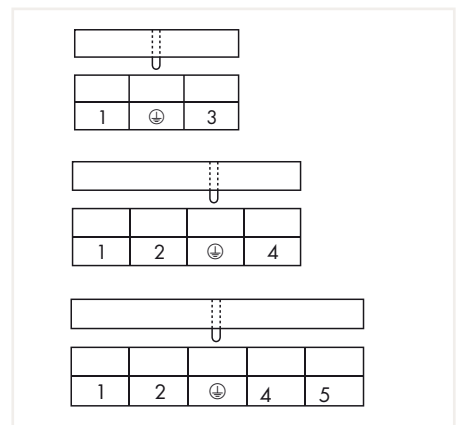
$L = (\text{pole no.} \times \text{pin spacing}) + 3.2 \text{ mm}$   
 $L_3 = L - 0.2 \text{ mm}$   
 $L_4 = L_3 + 15.2 \text{ mm}$   
 $L_5 = L_3 + 18 \text{ mm}$   
 $L_6 = L_3 + 12.6 \text{ mm}$   
 $L_8 = L_3 + 13.2 \text{ mm}$



Preceding ground contact position



Preceding ground contact position



Preceding ground contact position

PU = Packaging Unit; SPU = Subpackaging Unit; Dimensions in mm

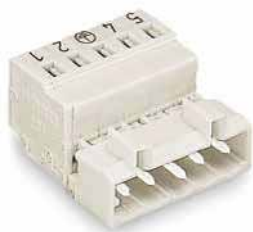
Other variants can be requested via the WAGO sales department or, if necessary, configured at <https://configurator.wago.com/>:

- Other pole numbers
- Gold-plated or partially gold-plated contact surfaces

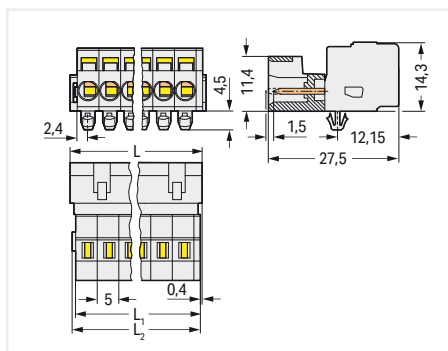
**1-Conductor Male Connector ▶ MCS MIDI ▶ 721 Series**

Pin spacing: 5 mm (0.197 inch) ▶ Actuation type: Operating tool ▶ CAGE CLAMP® ▶ with preceding GND contact ▶ Conductor entry direction to mating direction: 0° ▶ Color: light gray

Type of mounting: Panel mounting ▶ Mounting type:  
Snap-in mounting foot



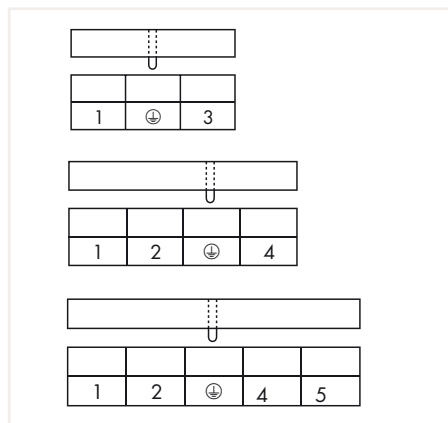
Pole No.	Item No.	PU
3	721-603/018-042	100
4	721-604/018-042	100
4	721-604/018-042/033-000	50
5	721-605/018-042	50



$L = (\text{pole no.} - 1) \times \text{pin spacing} + 8.2 \text{ mm}$

$L_2 = L - 1.7 \text{ mm}$

$L_3 = L - 1.2 \text{ mm}$



Preceding ground contact position

PU = Packaging Unit; SPU = Subpackaging Unit; Dimensions in mm

Other variants can be requested via the WAGO sales department or, if necessary, configured at <https://configurator.wago.com/>:

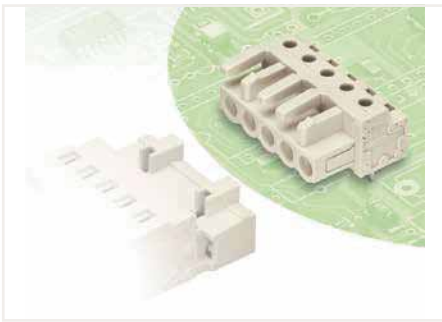
- Other pole numbers
- Gold-plated or partially gold-plated contact surfaces



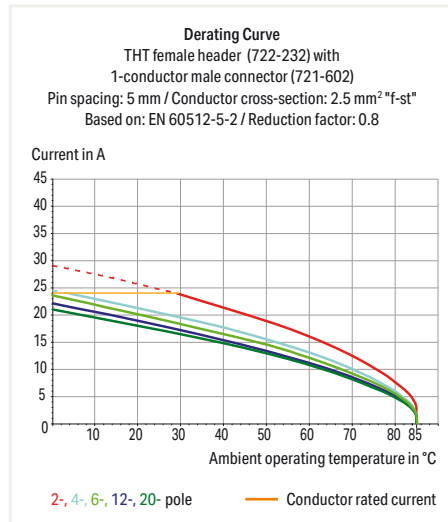


## THT Female Header ▶ MCS MIDI ▶ 722 Series

Pin spacing: 5 mm (0.197 inch) ▶ Solder pin dimensions: 0.6 x 1 mm ▶ Color: light gray



- Horizontal or vertical PCB mounting via straight or angled solder pins
- For board-to-board and board-to-wire connections
- Touch-proof PCB outputs
- Easy-to-identify PCB inputs and outputs
- 100 % protected against mismatching
- With coding fingers



### Electrical Data

Ratings per	IEC/EN 60664-1		
Overvoltage category	III	III	II
Pollution degree	3	2	2
Rated voltage	320 V	320 V	630 V
Rated impulse voltage	4 kV	4 kV	4 kV
Rated current	12 A	12 A	12 A

Approvals per	UL 1059		
Use Group	B	C	D
Rated voltage	300 V	-	300 V
Rated current	15 A	-	10 A

Approvals per	UL 1977		
Rated voltage	600 V		
Rated current	-		

Approvals per	CSA		
Use Group	B	C	D
Rated voltage	300 V	-	300 V
Rated current	15 A	-	10 A

### Material Data

Material group	I
Insulating material	Polyamide 66 (PA 66)
Flammability class per UL94	V0
Contact material	Copper alloy
Contact plating	Tin-plated

### Mechanical Data

Solder pin arrangement	Over the entire female connector, in line
Solder pin length	5 mm
Solder pin dimensions	0.6 x 1 mm
Drilled hole diameter (tolerance)	1.3 <sup>(+0.1)</sup> mm

### Environmental Requirements

Limit temperature range	-60 ... +85 °C
-------------------------	----------------

The *MULTI CONNECTION SYSTEM (MCS)* is designed without breaking capacity for compliance with DIN EN 61984. When used as intended, MCS Connectors shall not be connected/disconnected when live or under load. The circuit design should ensure header pins, which can be touched, are not live when unmated.

Mounting Page 537, 837

Testing and measuring Page 535, 854

Cutout dimensions Page 530

Additional information, see "Technical Section"

Approvals and corresponding ratings, visit [www.wago.com](http://www.wago.com)

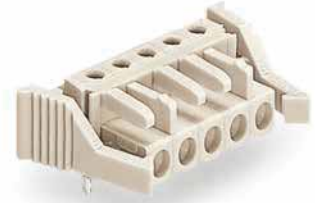
# THT Female Header ▶ MCS MIDI ▶ 722 Series

Pin spacing: 5 mm (0.197 inch) ▶ Solder pin dimensions: 0.6 x 1 mm ▶ Color: light gray

Mating direction to the PCB: 0°

Mating direction to the PCB: 90°

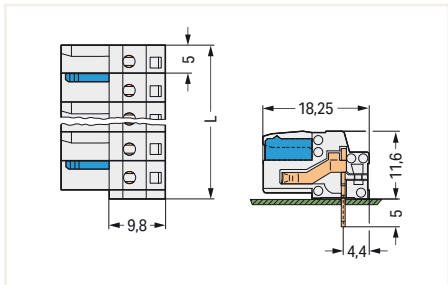
Locking of plug-in connection: locking lever ▶ Mating direction to the PCB: 0°



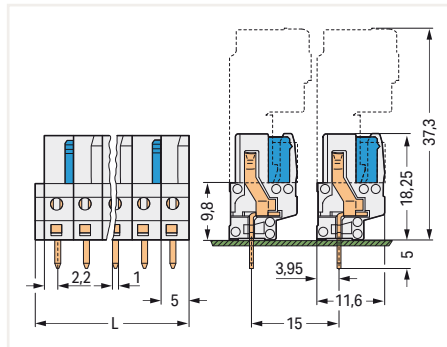
Pole No.	Item No.	PU
2	722-232	100
3	722-233	100
4	722-234	100
5	722-235	100
6	722-236	50
7	722-237	50
8	722-238	50
9	722-239	50
10	722-240	50
11	722-241	25
12	722-242	25
13	722-243	25
14	722-244	25
15	722-245	25
16	722-246	25
20	722-250	10

Pole No.	Item No.	PU
2	722-132	100
3	722-133	100
4	722-134	100
5	722-135	100
6	722-136	50
7	722-137	50
8	722-138	50
9	722-139	50
10	722-140	50
11	722-141	25
12	722-142	25
13	722-143	25
14	722-144	25
15	722-145	25
16	722-146	25
20	722-150	10

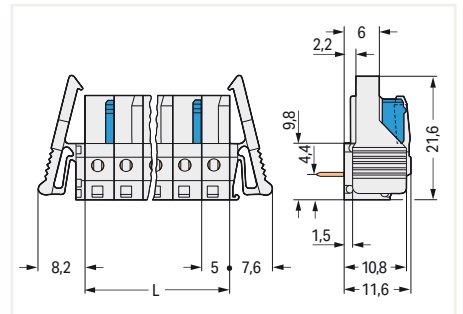
Pole No.	Item No.	PU
2	722-232/039-000	100
3	722-233/039-000	50
4	722-234/039-000	50
5	722-235/039-000	50
6	722-236/039-000	50
7	722-237/039-000	50
8	722-238/039-000	50
9	722-239/039-000	25
10	722-240/039-000	25
11	722-241/039-000	25
12	722-242/039-000	25
13	722-243/039-000	25
14	722-244/039-000	25
15	722-245/039-000	25
16	722-246/039-000	10
20	722-250/039-000	10



L = (pole no. x pin spacing) + 1.5 mm  
2-pole female connectors – one latch only



L = (pole no. x pin spacing) + 1.5 mm  
2-pole female connectors – one latch only



L = pole no. x pin spacing  
2-pole female connectors – one latch only

PU = Packaging Unit; SPU = Subpackaging Unit; Dimensions in mm

Other variants can be requested via the WAGO sales department or, if necessary, configured at <https://configurator.wago.com/>:

- Other pole numbers
- 3.8 mm pin projection for male headers with straight solder pins
- Gold-plated or partially gold-plated contact surfaces

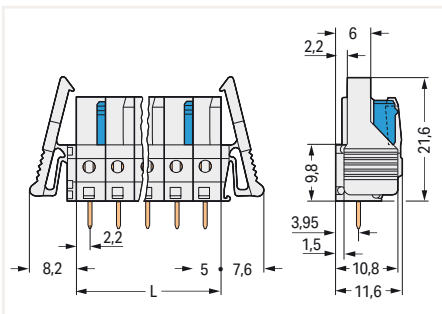
**THT Female Header ▶ MCS MIDI ▶ 722 Series**

Pin spacing: 5 mm (0.197 inch) ▶ Solder pin dimensions: 0.6 x 1 mm ▶ Color: light gray

Locking of plug-in connection: locking lever ▶ Mating direction to the PCB: 90°



Pole No.	Item No.	PU
2	722-132/039-000	100
3	722-133/039-000	50
4	722-134/039-000	50
5	722-135/039-000	50
6	722-136/039-000	50
7	722-137/039-000	50
8	722-138/039-000	50
9	722-139/039-000	25
10	722-140/039-000	25
11	722-141/039-000	25
12	722-142/039-000	25
13	722-143/039-000	25
14	722-144/039-000	25
15	722-145/039-000	25
16	722-146/039-000	10
20	722-150/039-000	10



L = pole no. x pin spacing  
2-pole female connectors – one latch only

PU = Packaging Unit; SPU = Subpackaging Unit; Dimensions in mm

Other variants can be requested via the WAGO sales department or, if necessary, configured at <https://configurator.wago.com/>:

- Other pole numbers
- 3.8 mm pin projection for male headers with straight solder pins
- Gold-plated or partially gold-plated contact surfaces

## THT Female Header ▶ MCS MIDI ▶ 722 Series

Pin spacing: 5 mm (0.197 inch) ▶ Solder pin dimensions: 0.6 x 1 mm ▶ Color: light gray

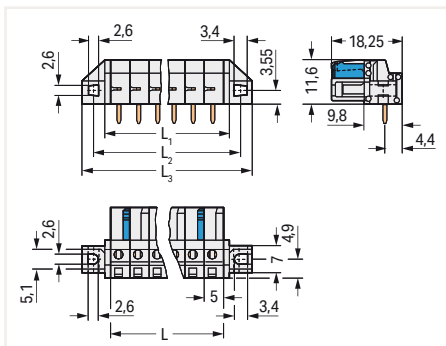
Type of mounting: Feed-through mounting, Panel mounting ▶ Mounting type: Mounting flange

Mating direction to the PCB: 0°

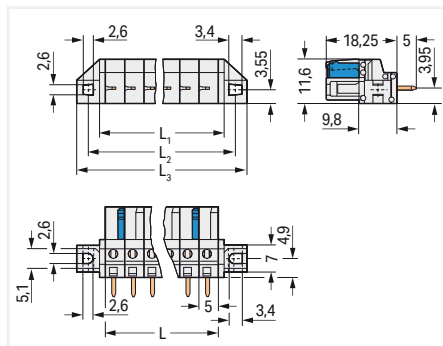
Mating direction to the PCB: 90°



Pole No.	Item No.	PU	Pole No.	Item No.	PU
2	722-232/031-000	100	2	722-132/031-000	100
3	722-233/031-000	50	3	722-133/031-000	50
4	722-234/031-000	50	4	722-134/031-000	50
5	722-235/031-000	50	5	722-135/031-000	50
6	722-236/031-000	50	6	722-136/031-000	50
7	722-237/031-000	50	7	722-137/031-000	50
8	722-238/031-000	50	8	722-138/031-000	50
9	722-239/031-000	25	9	722-139/031-000	25
10	722-240/031-000	25	10	722-140/031-000	25
11	722-241/031-000	25	11	722-141/031-000	25
12	722-242/031-000	25	12	722-142/031-000	25
13	722-243/031-000	25	13	722-143/031-000	25
14	722-244/031-000	25	14	722-144/031-000	25
15	722-245/031-000	25	15	722-145/031-000	25
16	722-246/031-000	10	16	722-146/031-000	10
20	722-250/031-000	10	20	722-150/031-000	10



L = pole no. x pin spacing  
 $L_1 = L + 3$  mm  
 $L_2 = L + 8.8$  mm  
 $L_3 = L + 14.8$  mm  
 2-pole female connectors – one latch only



L = pole no. x pin spacing  
 $L_1 = L + 3$  mm  
 $L_2 = L + 8.8$  mm  
 $L_3 = L + 14.8$  mm  
 2-pole female connectors – one latch only

PU = Packaging Unit; SPU = Subpackaging Unit; Dimensions in mm

Other variants can be requested via the WAGO sales department or, if necessary, configured at <https://configurator.wago.com/>:

- Other pole numbers
- 3.8 mm pin projection for male headers with straight solder pins
- Gold-plated or partially gold-plated contact surfaces

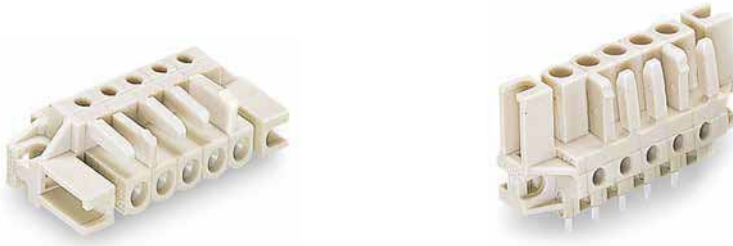
**THT Female Header ▶ MCS MIDI ▶ 722 Series**

Pin spacing: 5 mm (0.197 inch) ▶ Solder pin dimensions: 0.6 x 1 mm ▶ Color: light gray

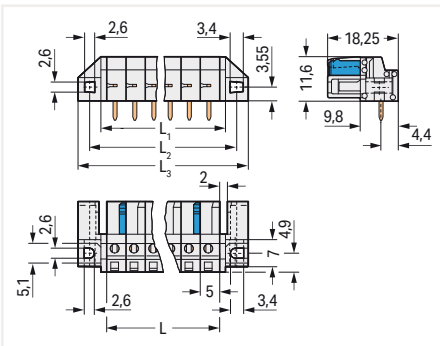
Type of mounting: Flush mounting, Panel mounting ▶ Mounting type: Mounting flange

Mating direction to the PCB: 0°

Mating direction to the PCB: 90°



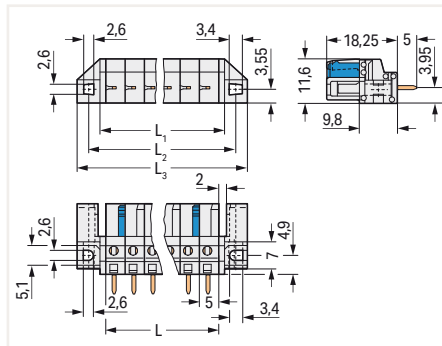
Pole No.	Item No.	PU	Pole No.	Item No.	PU
2	722-232/047-000	100	2	722-132/047-000	100
3	722-233/047-000	50	3	722-133/047-000	50
4	722-234/047-000	50	4	722-134/047-000	50
5	722-235/047-000	50	5	722-135/047-000	50
6	722-236/047-000	50	6	722-136/047-000	50
7	722-237/047-000	50	7	722-137/047-000	50
8	722-238/047-000	50	8	722-138/047-000	50
9	722-239/047-000	25	9	722-139/047-000	25
10	722-240/047-000	25	10	722-140/047-000	25
11	722-241/047-000	25	11	722-141/047-000	25
12	722-242/047-000	25	12	722-142/047-000	25
13	722-243/047-000	25	13	722-143/047-000	25
14	722-244/047-000	25	14	722-144/047-000	25
15	722-245/047-000	25	15	722-145/047-000	25
16	722-246/047-000	10	16	722-146/047-000	10
20	722-250/047-000	10	20	722-150/047-000	10



L = pole no. x pin spacing

 $L_1 = L + 3$  mm $L_2 = L + 8.8$  mm $L_3 = L + 14.8$  mm

2-pole female connectors – one latch only



L = pole no. x pin spacing

 $L_1 = L + 3$  mm $L_2 = L + 8.8$  mm $L_3 = L + 14.8$  mm

2-pole female connectors – one latch only

PU = Packaging Unit; SPU = Subpackaging Unit; Dimensions in mm

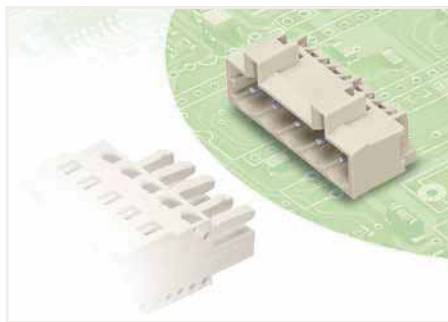
Other variants can be requested via the WAGO sales department or, if necessary, configured at <https://configurator.wago.com/>:

- Other pole numbers
- 3.8 mm pin projection for male headers with straight solder pins
- Gold-plated or partially gold-plated contact surfaces

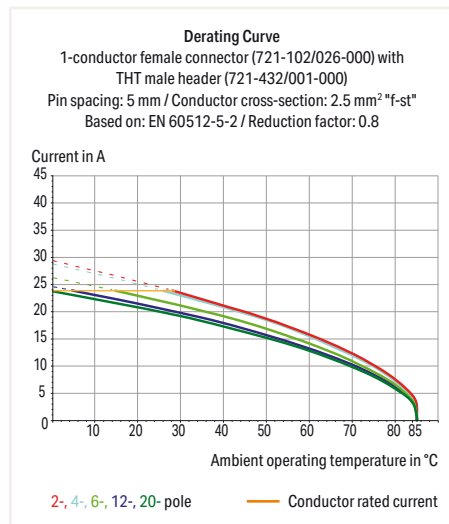


## THT Male Header ► MCS MIDI ► 721 Series

Pin spacing: 5 mm (0.197 inch) ► Solder pin dimensions: 1 x 1 mm ► Color: light gray



- Horizontal or vertical PCB mounting via straight or angled solder pins
- Pin cross-section: 1 x 1 mm
- 100 % protected against mismatching
- With coding fingers

**Electrical Data**

Ratings per		IEC/EN 60664-1		
Overvoltage category		III	III	II
Pollution degree		3	2	2
Rated voltage		320 V	320 V	630 V
Rated impulse voltage		4 kV	4 kV	4 kV
Rated current		12 A	12 A	12 A
Approvals per		UL 1059		
Use Group		B	C	D
Rated voltage		300 V	-	300 V
Rated current		10 A	-	10 A
Approvals per		UL 1977		
Rated voltage		600 V		
Rated current		-		
Approvals per		CSA		
Use Group		B	C	D
Rated voltage		300 V	-	300 V
Rated current		10 A	-	10 A

**Material Data**

Material group	I
Insulating material	Polyamide 66 (PA 66)
Flammability class per UL94	V0
Contact material	Electrolytic copper (Ecu)
Contact plating	Tin-plated

**Mechanical Data**

Solder pin arrangement	Over the entire male connector, in line
Solder pin dimensions	1 x 1 mm
Drilled hole diameter (tolerance)	1.4 <sup>(+0.1)</sup> mm

**Environmental Requirements**

Limit temperature range	-60 ... +100 °C
-------------------------	-----------------

The *MULTI CONNECTION SYSTEM (MCS)* is designed without breaking capacity for compliance with DIN EN 61984. When used as intended, MCS Connectors shall not be connected/disconnected when live or under load. The circuit design should ensure header pins, which can be touched, are not live when unmated.

Coding Page 536

Additional information, see "Technical Section"

Approvals and corresponding ratings, visit [www.wago.com](http://www.wago.com)



## THT Male Header ▶ MCS MIDI ▶ 721 Series

Pin spacing: 5 mm (0.197 inch) ▶ Solder pin dimensions: 1 x 1 mm ▶ Color: light gray

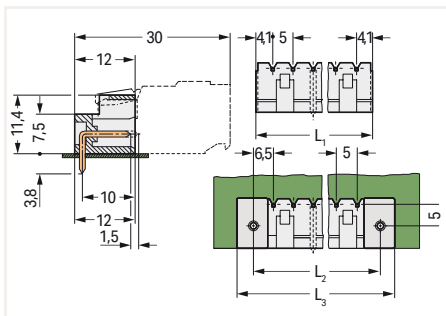
Mating direction to the PCB: 0°

Mating direction to the PCB: 90°



Pole No.	Item No.	PU
2	721-432/001-000	200
3	721-433/001-000	200
4	721-434/001-000	200
5	721-435/001-000	200
6	721-436/001-000	100
7	721-437/001-000	100
8	721-438/001-000	100
9	721-439/001-000	100
10	721-440/001-000	100
11	721-441/001-000	100
12	721-442/001-000	100
13	721-443/001-000	50
14	721-444/001-000	50
15	721-445/001-000	50
16	721-446/001-000	50
20	721-450/001-000	50

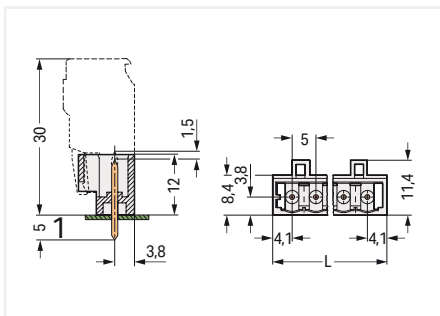
Pole No.	Item No.	PU
2	721-132/001-000	200
3	721-133/001-000	200
4	721-134/001-000	200
5	721-135/001-000	200
6	721-136/001-000	100
7	721-137/001-000	100
8	721-138/001-000	100
9	721-139/001-000	100
10	721-140/001-000	100
11	721-141/001-000	100
12	721-142/001-000	100
13	721-143/001-000	50
14	721-144/001-000	50
15	721-145/001-000	50
16	721-146/001-000	50
20	721-150/001-000	50



$$L_1 = (\text{pole no.} - 1) \times \text{pin spacing} + 8.2 \text{ mm}$$

$$L_2 = L_1 + 5 \text{ mm}$$

$$L_3 = L_2 + 7.4 \text{ mm}$$



$$L = (\text{pole no.} - 1) \times \text{pin spacing} + 8.2 \text{ mm}$$

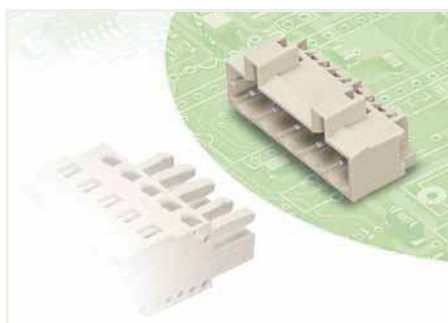
PU = Packaging Unit; SPU = Subpackaging Unit; Dimensions in mm

Other variants can be requested via the WAGO sales department or, if necessary, configured at <https://configurator.wago.com/>:

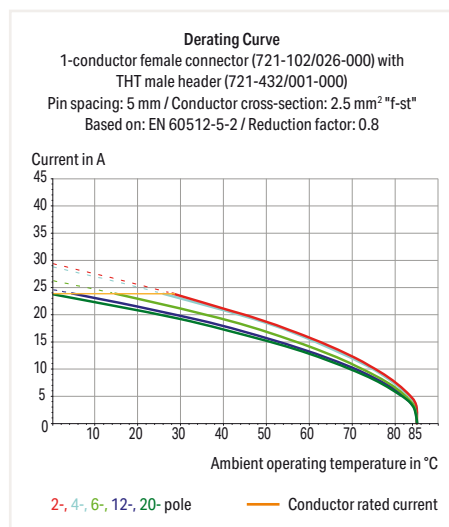
- Other pole numbers
- 3.8 mm pin projection for male headers with straight solder pins
- Gold-plated or partially gold-plated contact surfaces

**THT Male Header ▶ MCS MIDI ▶ 721 Series**

Pin spacing: 5 mm (0.197 inch) ▶ Solder pin dimensions: 1.2 x 1.2 mm ▶ Color: light gray



- Horizontal or vertical PCB mounting via straight or angled solder pins
- 1.2 x 1.2 mm solder pins allow nominal current up to 16 A, enhancing stability of shorter headers
- 100 % protected against mismatching
- With coding fingers

**Electrical Data**

Ratings per	IEC/EN 60664-1		
Overvoltage category	III	III	II
Pollution degree	3	2	2
Rated voltage	250 V	320 V	630 V
Rated impulse voltage	4 kV	4 kV	4 kV
Rated current	16 A	16 A	16 A
Approvals per	UL 1059		
Use Group	B	C	D
Rated voltage	300 V	-	300 V
Rated current	15 A	-	10 A
Approvals per	UL 1977		
Rated voltage	600 V		
Rated current	-		
Approvals per	CSA		
Use Group	B	C	D
Rated voltage	300 V	-	300 V
Rated current	15 A	-	10 A

**Material Data**

Material group	I
Insulating material	Polyamide 66 (PA 66)
Flammability class per UL94	V0
Contact material	Electrolytic copper (Ecu)
Contact plating	Tin-plated

**Mechanical Data**

Solder pin arrangement	Over the entire male connector, in line
Solder pin dimensions	1.2 x 1.2 mm

**Environmental Requirements**

Limit temperature range	-60 ... +100 °C
-------------------------	-----------------

The *MULTI CONNECTION SYSTEM (MCS)* is designed without breaking capacity for compliance with DIN EN 61984. When used as intended, MCS Connectors shall not be connected/disconnected when live or under load. The circuit design should ensure header pins, which can be touched, are not live when unmated.

Coding Page 536

Additional information, see "Technical Section"

Approvals and corresponding ratings, visit [www.wago.com](http://www.wago.com)

## THT Male Header ▶ MCS MIDI ▶ 721 Series

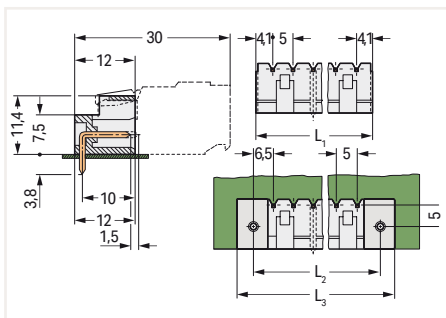
Pin spacing: 5 mm (0.197 inch) ▶ Solder pin dimensions: 1.2 x 1.2 mm ▶ Color: light gray

Mating direction to the PCB: 0°

Mating direction to the PCB: 90°



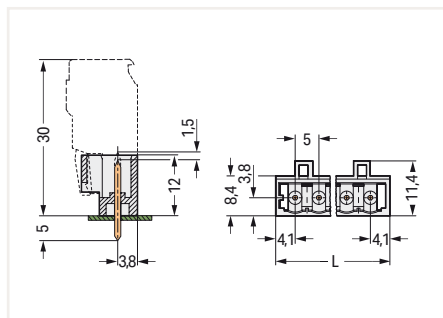
Pole No.	Item No.	PU	Pole No.	Item No.	PU
2	721-462/001-000	200	2	721-162/001-000	200
3	721-463/001-000	200	3	721-163/001-000	200
4	721-464/001-000	200	4	721-164/001-000	200
5	721-465/001-000	100	5	721-165/001-000	200
6	721-466/001-000	100	6	721-166/001-000	100
7	721-467/001-000	100	7	721-167/001-000	100
8	721-468/001-000	100	8	721-168/001-000	100
9	721-469/001-000	100	9	721-169/001-000	100
10	721-470/001-000	100	10	721-170/001-000	100
11	721-471/001-000	100	10	721-170/104-000	100
12	721-472/001-000	100	11	721-171/001-000	100
13	721-473/001-000	50	12	721-172/001-000	100
14	721-474/001-000	50	13	721-173/001-000	50
15	721-475/001-000	50	14	721-174/001-000	50
16	721-476/001-000	50	15	721-175/001-000	50
20	721-480/001-000	50	16	721-176/001-000	50
			20	721-180/001-000	50



$$L_1 = (\text{pole no.} - 1) \times \text{pin spacing} + 8.2 \text{ mm}$$

$$L_2 = L_1 + 5 \text{ mm}$$

$$L_3 = L_2 + 7.4 \text{ mm}$$



$$L = (\text{pole no.} - 1) \times \text{pin spacing} + 8.2 \text{ mm}$$

PU = Packaging Unit; SPU = Subpackaging Unit; Dimensions in mm

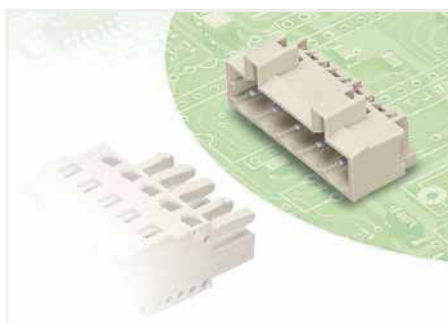
Other variants can be requested via the WAGO sales department or, if necessary, configured at <https://configurator.wago.com/>:

- Other pole numbers
- 3.8 mm pin projection for male headers with straight solder pins
- Gold-plated or partially gold-plated contact surfaces

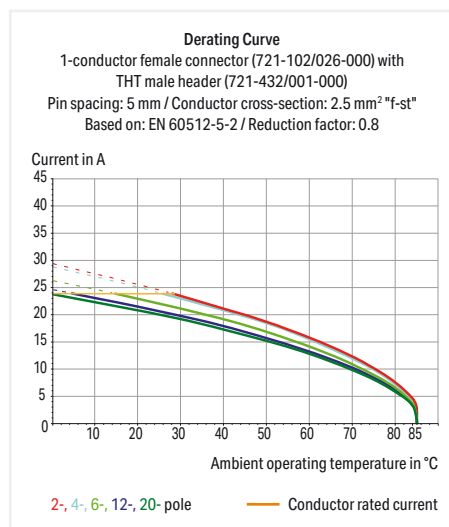
**THT Male Header ▶ MCS MIDI ▶ 721 Series**

Pin spacing: 5 mm (0.197 inch) ▶ with preceding GND contact ▶ Solder pin dimensions: 1 x 1 mm ▶

Color: light gray



- Horizontal or vertical PCB mounting via straight or angled solder pins
- Pin cross-section: 1 x 1 mm
- 100 % protected against mismatching
- With coding fingers

**Electrical Data**

Ratings per	IEC/EN 60664-1		
Overvoltage category	III	III	II
Pollution degree	3	2	2
Rated voltage	320 V	320 V	630 V
Rated impulse voltage	4 kV	4 kV	4 kV
Rated current	12 A	12 A	12 A
Approvals per	UL 1059		
Use Group	B	C	D
Rated voltage	300 V	-	300 V
Rated current	10 A	-	10 A
Approvals per	UL 1977		
Rated voltage	600 V		
Rated current	-		
Approvals per	CSA		
Use Group	B	C	D
Rated voltage	300 V	-	300 V
Rated current	10 A	-	10 A

**Material Data**

Material group	I
Insulating material	Polyamide 66 (PA 66)
Flammability class per UL94	V0
Contact material	Electrolytic copper (Ecu)
Contact plating	Tin-plated

**Mechanical Data**

Solder pin arrangement	Over the entire male connector, in line
Solder pin dimensions	1 x 1 mm
Drilled hole diameter (tolerance)	1.4 <sup>(+0.1)</sup> mm

**Environmental Requirements**

Limit temperature range	-60 ... +100 °C
-------------------------	-----------------

The *MULTI CONNECTION SYSTEM (MCS)* is designed without breaking capacity for compliance with DIN EN 61984. When used as intended, MCS Connectors shall not be connected/disconnected when live or under load. The circuit design should ensure header pins, which can be touched, are not live when unmated.

Coding Page 536

Additional information, see "Technical Section"

Approvals and corresponding ratings, visit [www.wago.com](http://www.wago.com)

### THT Male Header ▶ MCS MIDI ▶ 721 Series

Pin spacing: 5 mm (0.197 inch) ▶ with preceding GND contact ▶ Solder pin dimensions: 1 x 1 mm ▶ Color: light gray

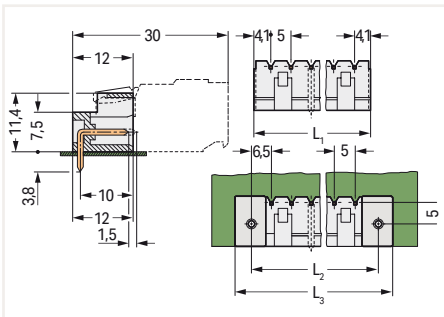
Mating direction to the PCB: 0°

Mating direction to the PCB: 90°



Pole No.	Item No.	PU
3	721-433/001-040	200
4	721-434/001-040	200
5	721-435/001-040	200

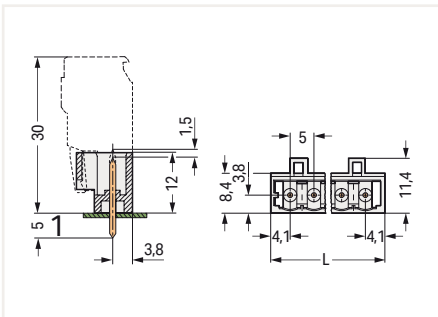
Pole No.	Item No.	PU
3	721-133/001-040	200
4	721-134/001-040	200
5	721-135/001-040	200



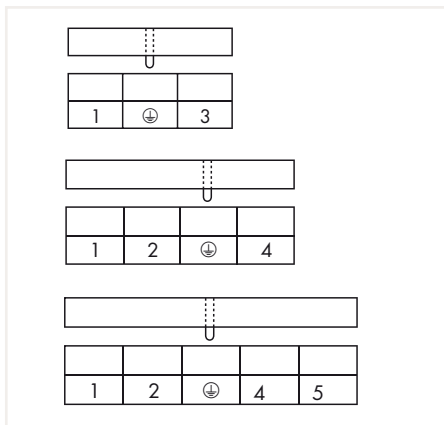
$$L_1 = (\text{pole no.} - 1) \times \text{pin spacing} + 8.2 \text{ mm}$$

$$L_2 = L_1 + 5 \text{ mm}$$

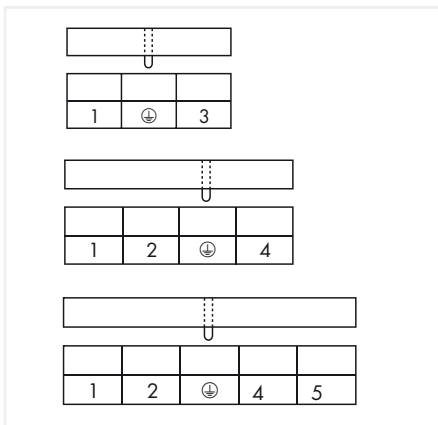
$$L_3 = L_2 + 7.4 \text{ mm}$$



$$L = (\text{pole no.} - 1) \times \text{pin spacing} + 8.2 \text{ mm}$$



Preceding ground contact position



Preceding ground contact position

PU = Packaging Unit; SPU = Subpackaging Unit; Dimensions in mm

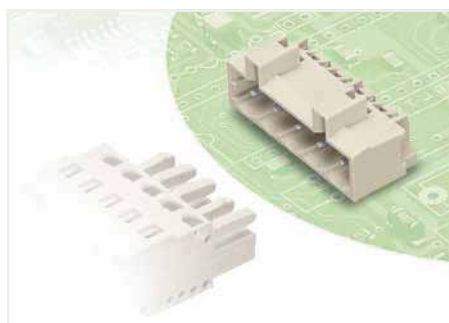
Other variants can be requested via the WAGO sales department or, if necessary, configured at <https://configurator.wago.com/>:

- Other pole numbers
- 3.8 mm pin projection for male headers with straight solder pins
- Gold-plated or partially gold-plated contact surfaces

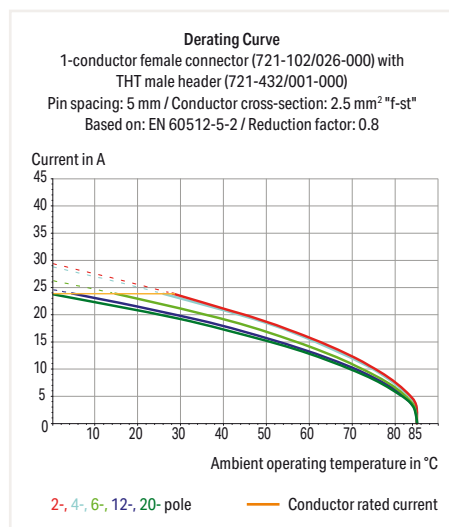
**THT Male Header ▶ MCS MIDI ▶ 721 Series**

Pin spacing: 5 mm (0.197 inch) ▶ with preceding GND contact ▶ Solder pin dimensions: 1.2 x 1.2 mm

▶ Color: light gray



- Horizontal or vertical PCB mounting via straight or angled solder pins
- 1.2 x 1.2 mm solder pins allow nominal current up to 16 A, enhancing stability of shorter headers
- 100 % protected against mismatching
- With coding fingers

**Electrical Data**

Ratings per		IEC/EN 60664-1		
Overvoltage category		III	III	II
Pollution degree		3	2	2
Rated voltage		250 V	320 V	630 V
Rated impulse voltage		4 kV	4 kV	4 kV
Rated current		16 A	16 A	16 A
Approvals per		UL 1059		
Use Group		B	C	D
Rated voltage		300 V	-	300 V
Rated current		15 A	-	10 A
Approvals per		UL 1977		
Rated voltage		600 V		
Rated current		-		
Approvals per		CSA		
Use Group		B	C	D
Rated voltage		300 V	-	300 V
Rated current		15 A	-	10 A

**Material Data**

Material group	I
Insulating material	Polyamide 66 (PA 66)
Flammability class per UL94	V0
Contact material	Electrolytic copper (Ecu)
Contact plating	Tin-plated

**Mechanical Data**

Solder pin arrangement	Over the entire male connector, in line
Solder pin dimensions	1.2 x 1.2 mm
Drilled hole diameter (tolerance)	1.7 <sup>(+0.1)</sup> mm

**Environmental Requirements**

Limit temperature range	-60 ... +100 °C
-------------------------	-----------------

The *MULTI CONNECTION SYSTEM (MCS)* is designed without breaking capacity for compliance with DIN EN 61984. When used as intended, MCS Connectors shall not be connected/disconnected when live or under load. The circuit design should ensure header pins, which can be touched, are not live when unmated.

Coding Page 536

Additional information, see "Technical Section"

Approvals and corresponding ratings, visit [www.wago.com](http://www.wago.com)

### THT Male Header ▶ MCS MIDI ▶ 721 Series

Pin spacing: 5 mm (0.197 inch) ▶ with preceding GND contact ▶ Solder pin dimensions: 1.2 x 1.2 mm

▶ Color: light gray

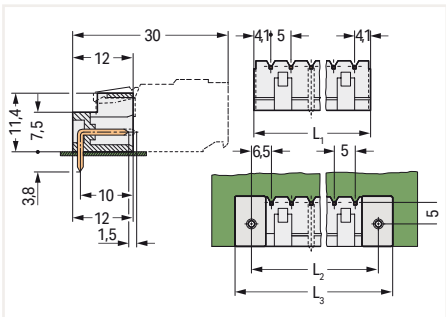
Mating direction to the PCB: 0°

Mating direction to the PCB: 90°



Pole No.	Item No.	PU
3	721-463/001-040	200
4	721-464/001-040	200
5	721-465/001-040	200

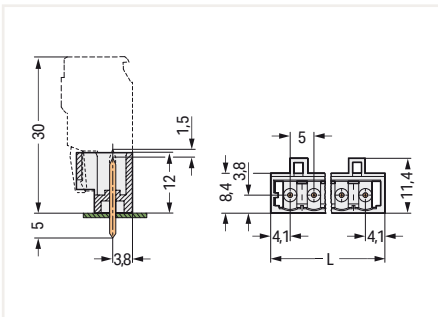
Pole No.	Item No.	PU
3	721-163/001-040	200
4	721-164/001-040	200
5	721-165/001-040	200



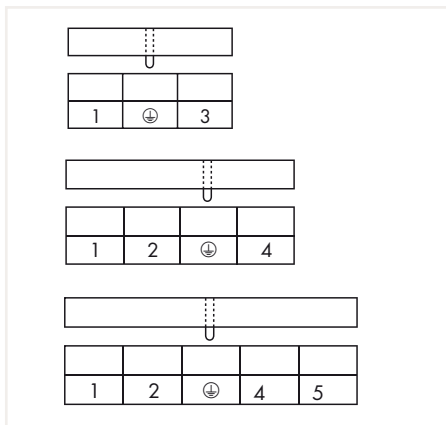
$$L_1 = (\text{pole no.} - 1) \times \text{pin spacing} + 8.2 \text{ mm}$$

$$L_2 = L_1 + 5 \text{ mm}$$

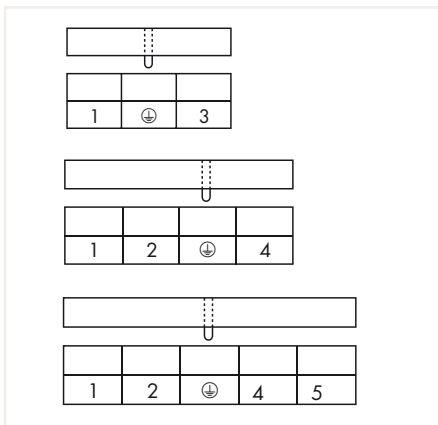
$$L_3 = L_2 + 7.4 \text{ mm}$$



$$L = (\text{pole no.} - 1) \times \text{pin spacing} + 8.2 \text{ mm}$$



Preceding ground contact position



Preceding ground contact position

PU = Packaging Unit; SPU = Subpackaging Unit; Dimensions in mm

Other variants can be requested via the WAGO sales department or, if necessary, configured at <https://configurator.wago.com/>:

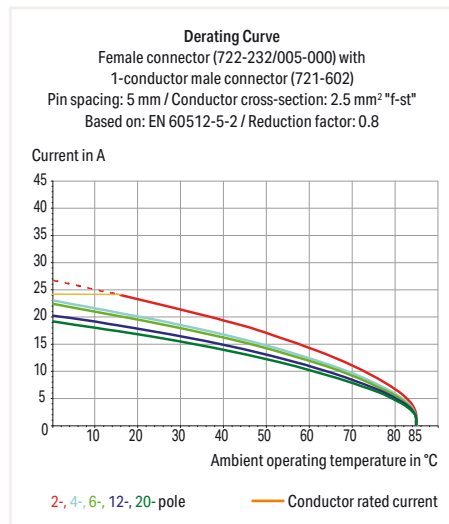
- Other pole numbers
- 3.8 mm pin projection for male headers with straight solder pins
- Gold-plated or partially gold-plated contact surfaces

## Female Connector for Rail-Mount Terminal Blocks ▶ MCS MIDI ▶ 722 Series

Pin spacing: 5 mm (0.197 inch) ▶ Color: light gray



- Pluggable connectors for rail-mount terminal blocks equipped with CAGE CLAMP® connection
- Female connectors with long contact pins connect to the termination ports of 280 Series Rail-Mount Terminal Blocks
- Female connectors are touch-proof when unmated, providing a pluggable, live output
- 100 % protected against mismatching
- With coding fingers



### Electrical Data

Ratings per	IEC/EN 60664-1		
Overvoltage category	III	III	II
Pollution degree	3	2	2
Rated voltage	320 V	320 V	630 V
Rated impulse voltage	4 kV	4 kV	4 kV
Rated current	12 A	12 A	12 A

Approvals per	UL 1059		
Use Group	B	C	D
Rated voltage	300 V	-	300 V
Rated current	15 A	-	10 A

Approvals per	UL 1977		
Rated voltage	600 V		
Rated current	-		

Approvals per	CSA		
Use Group	B	C	D
Rated voltage	300 V	-	300 V
Rated current	15 A	-	10 A

### Material Data

Material group	I
Insulating material	Polyamide 66 (PA 66)
Flammability class per UL94	V0
Contact material	Copper alloy
Contact plating	Tin-plated

### Environmental Requirements

Limit temperature range	-60 ... +85 °C
-------------------------	----------------

The *MULTI CONNECTION SYSTEM (MCS)* is designed without breaking capacity for compliance with DIN EN 61984. When used as intended, MCS Connectors shall not be connected/disconnected when live or under load. The circuit design should ensure header pins, which can be touched, are not live when unmated.

Testing and measuring Page 535, 854

Tools Page 535

Additional information, see "Technical Section"

Approvals and corresponding ratings, visit [www.wago.com](http://www.wago.com)



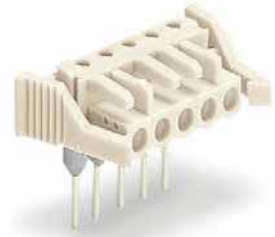
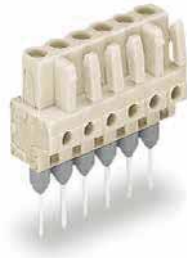
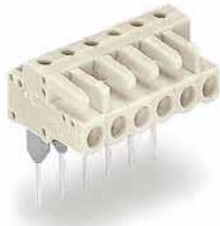
# Female Connector for Rail-Mount Terminal Blocks ▶ MCS MIDI ▶ 722 Series

Pin spacing: 5 mm (0.197 inch) ▶ Color: light gray

Mating direction to the rail-mount terminal block: 0°

Mating direction to the rail-mount terminal block: 90°

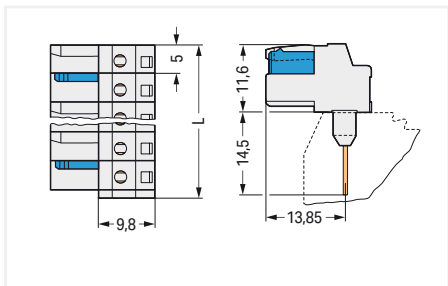
Locking of plug-in connection: locking lever ▶ Mating direction to the rail-mount terminal block: 0°



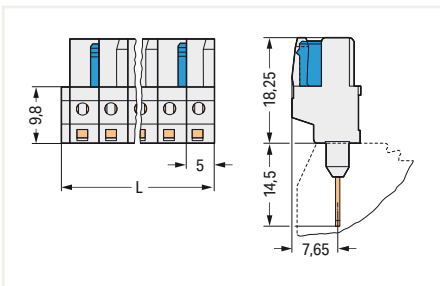
Pole No.	Item No.	PU
2	722-232/005-000	100
3	722-233/005-000	100
4	722-234/005-000	100
5	722-235/005-000	100
6	722-236/005-000	50
7	722-237/005-000	50
8	722-238/005-000	50
9	722-239/005-000	50
10	722-240/005-000	50
11	722-241/005-000	25
12	722-242/005-000	25
13	722-243/005-000	25
14	722-244/005-000	25
15	722-245/005-000	25
16	722-246/005-000	25
20	722-250/005-000	10

Pole No.	Item No.	PU
2	722-132/005-000	100
3	722-133/005-000	100
4	722-134/005-000	100
5	722-135/005-000	100
6	722-136/005-000	50
7	722-137/005-000	50
8	722-138/005-000	50
9	722-139/005-000	50
10	722-140/005-000	50
11	722-141/005-000	25
12	722-142/005-000	25
13	722-143/005-000	25
14	722-144/005-000	25
15	722-145/005-000	25
16	722-146/005-000	25
20	722-150/005-000	10

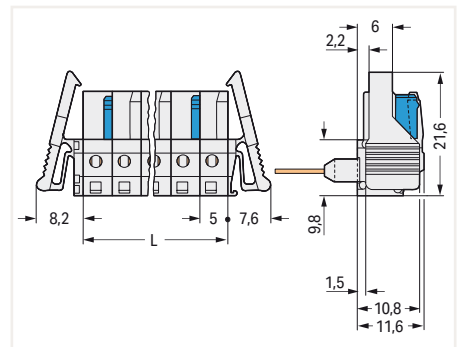
Pole No.	Item No.	PU
2	722-232/005-000/039-000	100
3	722-233/005-000/039-000	50
4	722-234/005-000/039-000	50
5	722-235/005-000/039-000	50
6	722-236/005-000/039-000	50
7	722-237/005-000/039-000	50
8	722-238/005-000/039-000	50
9	722-239/005-000/039-000	25
10	722-240/005-000/039-000	25
11	722-241/005-000/039-000	25
12	722-242/005-000/039-000	25
14	722-244/005-000/039-000	25
16	722-246/005-000/039-000	10
20	722-250/005-000/039-000	10



L = (pole no. x pin spacing) + 1.5 mm  
2-pole female connectors – one latch only



L = (pole no. x pin spacing) + 1.5 mm  
2-pole female connectors – one latch only



L = (pole no. x pin spacing) + 1.5 mm  
2-pole female connectors – one latch only

PU = Packaging Unit; SPU = Subpackaging Unit; Dimensions in mm

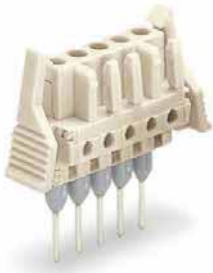
Other variants can be requested via the WAGO sales department or, if necessary, configured at <https://configurator.wago.com/>:

- Other pole numbers

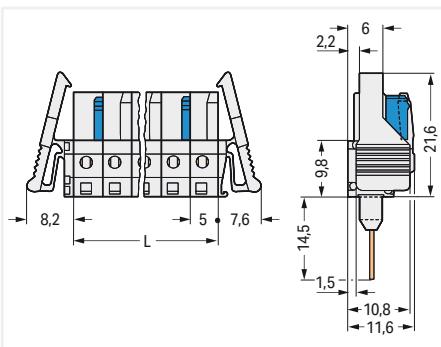
## Female connector for rail-mount terminal blocks ▶ MCS MIDI ▶ 722 Series

Pin spacing: 5 mm (0.197 inch) ▶ Color: light gray

Locking of plug-in connection: locking lever ▶ Mating direction to the rail-mount terminal block: 90°



Pole No.	Item No.	PU
2	722-132/005-000/039-000	100
3	722-133/005-000/039-000	50
4	722-134/005-000/039-000	50
5	722-135/005-000/039-000	50
6	722-136/005-000/039-000	50
7	722-137/005-000/039-000	50
8	722-138/005-000/039-000	50
9	722-139/005-000/039-000	25
10	722-140/005-000/039-000	25
11	722-141/005-000/039-000	25
12	722-142/005-000/039-000	25
14	722-144/005-000/039-000	25
16	722-146/005-000/039-000	10
20	722-150/005-000/039-000	10



$L = (\text{pole no.} \times \text{pin spacing}) + 1.5 \text{ mm}$   
2-pole female connectors – one latch only

PU = Packaging Unit; SPU = Subpackaging Unit; Dimensions in mm

Other variants can be requested via the WAGO sales department or, if necessary, configured at <https://configurator.wago.com/>:

- Other pole numbers

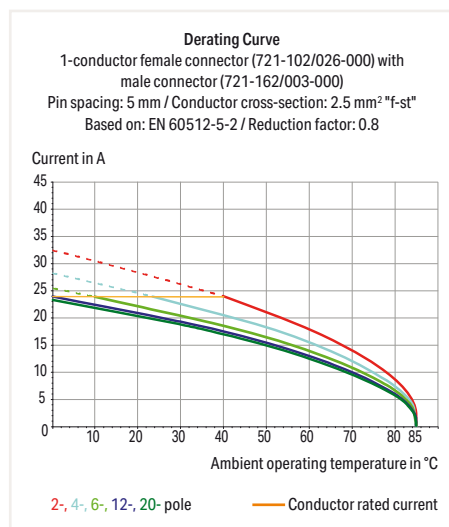


## Male Connector for Rail-Mount Terminal Blocks ▶ MCS MIDI ▶ 721 Series

Pin spacing: 5 mm (0.197 inch) ▶ Color: light gray



- Pluggable connectors for rail-mount terminal blocks equipped with CAGE CLAMP® connection
- Male connectors with long contact pins connect to the termination ports of 280 Series Rail-Mount Terminal Blocks
- Pins can be touched when the connector is unplugged, so power should be supplied via terminal block (observe rated voltage!)
- 100 % protected against mismatching
- With coding fingers



### Electrical Data

Ratings per	IEC/EN 60664-1		
Overvoltage category	III	III	II
Pollution degree	3	2	2
Rated voltage	250 V	320 V	630 V
Rated impulse voltage	4 kV	4 kV	4 kV
Rated current	16 A	16 A	16 A
Approvals per	UL 1059		
Use Group	B	C	D
Rated voltage	300 V	-	300 V
Rated current	15 A	-	10 A
Approvals per	UL 1977		
Rated voltage	600 V		
Rated current	-		
Approvals per	CSA		
Use Group	B	C	D
Rated voltage	300 V	-	300 V
Rated current	15 A	-	10 A

### Material Data

Material group	I
Insulating material	Polyamide 66 (PA 66)
Flammability class per UL94	V0
Contact material	Electrolytic copper (Ecu)
Contact plating	Tin-plated

### Environmental Requirements

Limit temperature range	-60 ... +100 °C
-------------------------	-----------------

The *MULTI CONNECTION SYSTEM (MCS)* is designed without breaking capacity for compliance with DIN EN 61984. When used as intended, MCS Connectors shall not be connected/disconnected when live or under load. The circuit design should ensure header pins, which can be touched, are not live when unmated.

Coding Page 536

Tools Page 535

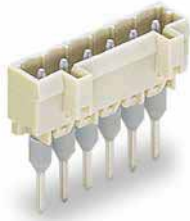
Additional information, see "Technical Section"

Approvals and corresponding ratings, visit [www.wago.com](http://www.wago.com)

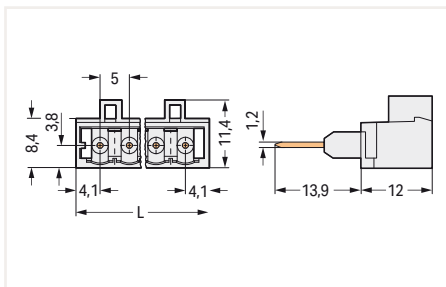
## Male Connector for Rail-Mount Terminal Blocks ▶ MCS MIDI ▶ 721 Series

Pin spacing: 5 mm (0.197 inch) ▶ Color: light gray

Mating direction to the rail-mount terminal block: 90°



Pole No.	Item No.	PU
2	721-162/003-000	200
3	721-163/003-000	200
4	721-164/003-000	200
5	721-165/003-000	200
6	721-166/003-000	100
7	721-167/003-000	100
8	721-168/003-000	100
9	721-169/003-000	100
10	721-170/003-000	100
11	721-171/003-000	100
12	721-172/003-000	100
13	721-173/003-000	50
14	721-174/003-000	50
15	721-175/003-000	50
16	721-176/003-000	50
20	721-180/003-000	50



$L = (\text{pole no.} - 1) \times \text{pin spacing} + 8.2 \text{ mm}$

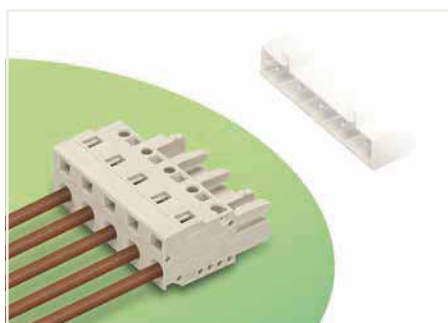
PU = Packaging Unit; SPU = Subpackaging Unit; Dimensions in mm

Other variants can be requested via the WAGO sales department or, if necessary, configured at <https://configurator.wago.com/>:

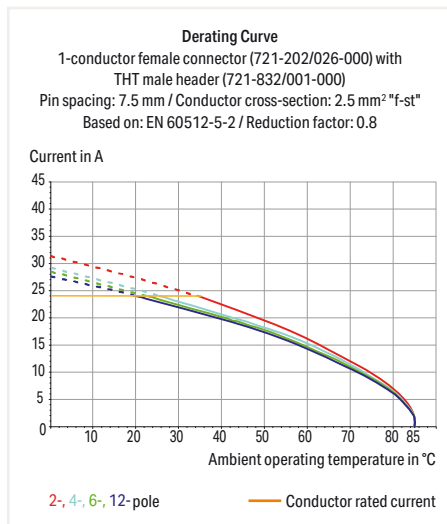
- Other pole numbers

## 1-Conductor Female Connector ▶ MCS MIDI ▶ 721 Series

Pin spacing: 7.5 mm (0.295 inch) ▶ Actuation type: Operating tool ▶ CAGE CLAMP® ▶ Conductor entry direction to mating direction: 0° ▶ Color: light gray



- Universal connection for all conductor types
- Easy cable pre-assembly and on-unit wiring via vertical and horizontal CAGE CLAMP® actuation
- Integrated test ports
- 100 % protected against mismatching
- Coding option available



### Electrical Data

Ratings per	IEC/EN 60664-1		
Overvoltage category	III	III	II
Pollution degree	3	2	2
Rated voltage	500 V	630 V	1000 V
Rated impulse voltage	6 kV	6 kV	6 kV
Rated current	16 A	16 A	16 A
Approvals per	UL 1059		
Use Group	B	C	D
Rated voltage	300 V	-	300 V
Rated current	15 A	-	10 A
Approvals per	UL 1977		
Rated voltage	600 V		
Rated current	-		
Approvals per	CSA		
Use Group	B	C	D
Rated voltage	300 V	-	300 V
Rated current	15 A	-	10 A

### Connection Data

Connection technology	CAGE CLAMP®
Strip length	8 ... 9 mm / 0.31 ... 0.35 inch
Solid conductor	0.08 ... 2.5 mm <sup>2</sup> / 28 ... 12 AWG
Fine-stranded conductor	0.08 ... 2.5 mm <sup>2</sup> / 28 ... 12 AWG
Fine-stranded conductor with ferrule with plastic collar	0.25 ... 1.5 mm <sup>2</sup>
Fine-stranded conductor with ferrule without plastic collar	0.25 ... 2.5 mm <sup>2</sup>

### Material Data

Material group	I
Insulating material	Polyamide 66 (PA 66)
Flammability class per UL94	V0
Clamping spring material	Chrome nickel spring steel (CrNi)
Contact material	Copper alloy
Contact plating	Tin-plated

### Environmental Requirements

Limit temperature range	-60 ... +85 °C
-------------------------	----------------

The *MULTI CONNECTION SYSTEM (MCS)* is designed without breaking capacity for compliance with DIN EN 61984. When used as intended, MCS Connectors shall not be connected/disconnected when live or under load. The circuit design should ensure header pins, which can be touched, are not live when unmated.

Ferrule	Page 847
General accessory	Page 537
Insulation stop	Page 537
Marking	Page 833
Mounting	Page 542
Mounting adapter	Page 543
Strain relief	Page 541
Testing and measuring	Page 535, 854
Tools	Page 534
Direct marking	Page 526
Cutout dimensions	Page 530
Additional information, see "Technical Section"	
Approvals and corresponding ratings, visit <a href="http://www.wago.com">www.wago.com</a>	

### 1-Conductor Female Connector ▶ MCS MIDI ▶ 721 Series

Pin spacing: 7.5 mm (0.295 inch) ▶ Actuation type: Operating tool ▶ CAGE CLAMP® ▶ Conductor entry direction to mating direction: 0° ▶ Color: light gray

Locking of plug-in connection: locking lever

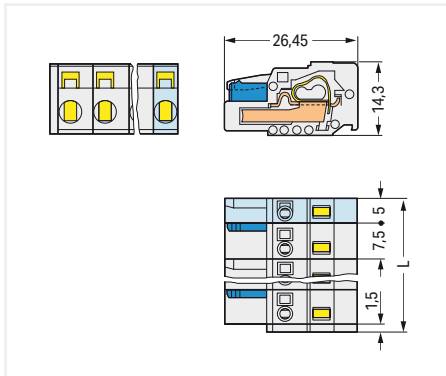
Type of mounting: Feed-through mounting, Panel mounting ▶ Mounting type: Mounting flange



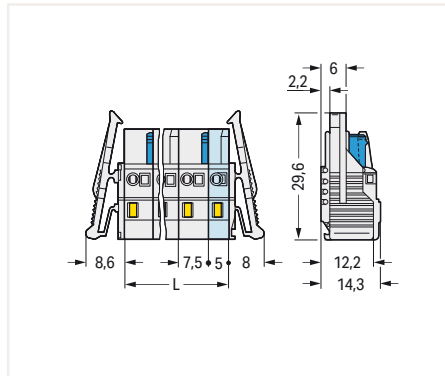
Pole No.	Item No.	PU
2	721-202/026-000	100
3	721-203/026-000	100
4	721-204/026-000	50
5	721-205/026-000	50
6	721-206/026-000	50
7	721-207/026-000	50
8	721-208/026-000	25
9	721-209/026-000	25
10	721-210/026-000	25
11	721-211/026-000	25
12	721-212/026-000	25

Pole No.	Item No.	PU
2	721-202/037-000	50
3	721-203/037-000	50
4	721-204/037-000	50
5	721-205/037-000	50
6	721-206/037-000	25
7	721-207/037-000	25
8	721-208/037-000	25
9	721-209/037-000	25
10	721-210/037-000	25
12	721-212/037-000	10

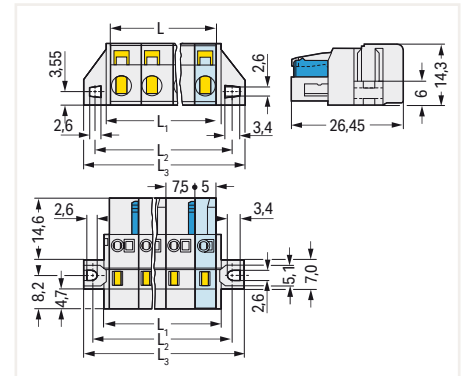
Pole No.	Item No.	PU
2	721-202/031-000	50
3	721-203/031-000	50
4	721-204/031-000	50
5	721-205/031-000	50
6	721-206/031-000	25
7	721-207/031-000	25
8	721-208/031-000	25
9	721-209/031-000	25
10	721-210/031-000	25
12	721-212/031-000	10



L = (pole no. - 1) x pin spacing + 5 mm + 1.5 mm



L = (pole no. - 1) x pin spacing + 5 mm



L = (pole no. - 1) x pin spacing + 5 mm  
 $L_1 = L + 3 \text{ mm}$   
 $L_2 = L + 8.8 \text{ mm}$   
 $L_3 = L + 14.8 \text{ mm}$

PU = Packaging Unit; SPU = Subpackaging Unit; Dimensions in mm

Other variants can be requested via the WAGO sales department or, if necessary, configured at <https://configurator.wago.com/>:

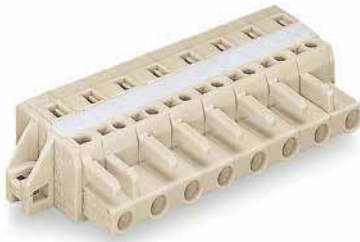
- Other pole numbers
- Gold-plated or partially gold-plated contact surfaces

### 1-Conductor Female Connector ▶ MCS MIDI ▶ 721 Series

Pin spacing: 7.5 mm (0.295 inch) ▶ Actuation type: Operating tool ▶ CAGE CLAMP® ▶ Conductor entry direction to mating direction: 0° ▶ Color: light gray

Type of mounting: Feed-through mounting, Panel mounting ▶ Mounting type: Mounting flange ▶ with reinforcing strip

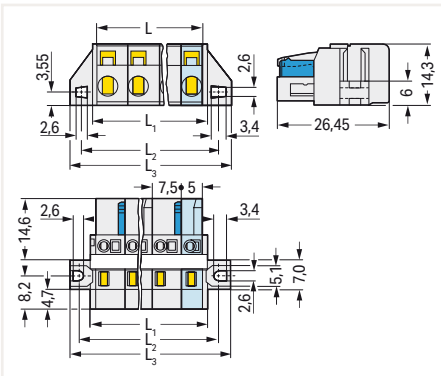
Type of mounting: Panel mounting ▶ Mounting type: Snap-in mounting foot



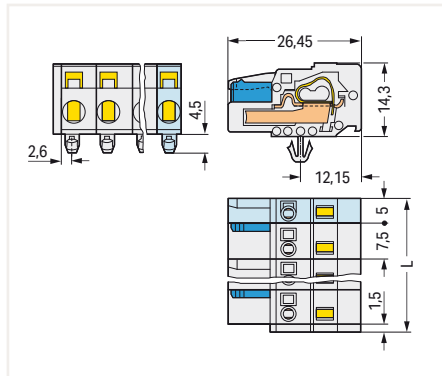
Pole No.	Item No.	PU
6	721-206/027-000	25
8	721-208/027-000	25
9	721-209/027-000	25
12	721-212/027-000	10

Pole No.	Item No.	PU
2	721-202/008-000	100
3	721-203/008-000	100
4	721-204/008-000	50
5	721-205/008-000	50
6	721-206/008-000	50
7	721-207/008-000	50
8	721-208/008-000	25
9	721-209/008-000	25
10	721-210/008-000	25
11	721-211/008-000	10
12	721-212/008-000	25

8



L = (pole no. - 1) x pin spacing + 5 mm  
 L<sub>1</sub> = L + 3 mm  
 L<sub>2</sub> = L + 8.8 mm  
 L<sub>3</sub> = L + 14.8 mm



L = (pole no. - 1) x pin spacing + 5 mm + 1.5 mm

PU = Packaging Unit; SPU = Subpackaging Unit; Dimensions in mm

Other variants can be requested via the WAGO sales department or, if necessary, configured at <https://configurator.wago.com/>:

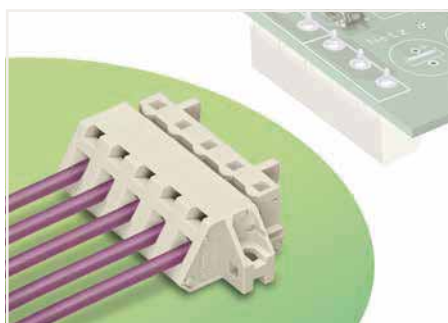
- Other pole numbers
- Gold-plated or partially gold-plated contact surfaces



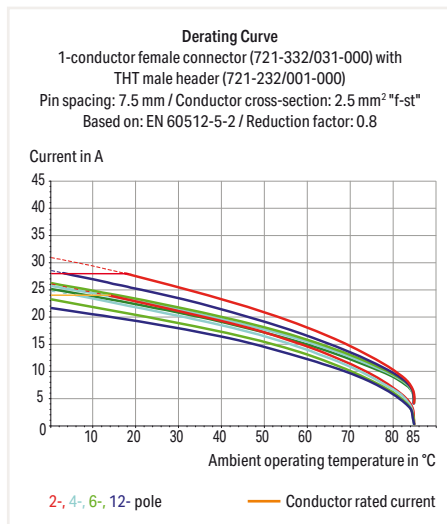


## 1-Conductor Female Connector ▶ MCS MIDI ▶ 721 Series

Pin spacing: 7.5 mm (0.295 inch) ▶ Actuation type: Operating tool ▶ CAGE CLAMP® ▶ Conductor entry direction to mating direction: 90° ▶ Color: light gray



- Universal connection for all conductor types
- Versions available with snap-in mounting feet or flanges for panel or through-panel mounting
- Mounting adapter allows versions with snap-in mounting feet to be DIN-rail mounted
- Easy conductor termination, even when halves are mated
- 100 % protected against mismatching



### Electrical Data

Ratings per	IEC/EN 60664-1		
Overvoltage category	III	III	II
Pollution degree	3	2	2
Rated voltage	500 V	630 V	1000 V
Rated impulse voltage	6 kV	6 kV	6 kV
Rated current	12 A	12 A	12 A
Approvals per	UL 1059		
Use Group	B	C	D
Rated voltage	300 V	-	300 V
Rated current	15 A	-	10 A
Approvals per	UL 1977		
Rated voltage	600 V		
Rated current	-		
Approvals per	CSA		
Use Group	B	C	D
Rated voltage	300 V	-	300 V
Rated current	15 A	-	10 A

### Connection Data

Connection technology	CAGE CLAMP®
Strip length	7 ... 8 mm / 0.28 ... 0.31 inch
Solid conductor	0.08 ... 2.5 mm <sup>2</sup> / 28 ... 12 AWG
Fine-stranded conductor	0.08 ... 2.5 mm <sup>2</sup> / 28 ... 12 AWG
Fine-stranded conductor with ferrule with plastic collar	0.25 ... 1.5 mm <sup>2</sup>
Fine-stranded conductor with ferrule without plastic collar	0.25 ... 2.5 mm <sup>2</sup>

### Material Data

Material group	I
Insulating material	Polyamide 66 (PA 66)
Flammability class per UL94	V0
Clamping spring material	Chrome nickel spring steel (CrNi)
Contact material	Copper alloy
Contact plating	Tin-plated

### Environmental Requirements

Limit temperature range	-60 ... +85 °C
-------------------------	----------------

The *MULTI CONNECTION SYSTEM (MCS)* is designed without breaking capacity for compliance with DIN EN 61984. When used as intended, MCS Connectors shall not be connected/disconnected when live or under load. The circuit design should ensure header pins, which can be touched, are not live when unmated.

Ferrule	Page 847
Marking	Page 833
Mounting	Page 542
Testing and measuring	Page 535
Tools	Page 534
Cutout dimensions	Page 530
Direct marking	Page 526
Additional information, see "Technical Section"	
Approvals and corresponding ratings, visit <a href="http://www.wago.com">www.wago.com</a>	

### 1-Conductor Female Connector ▶ MCS MIDI ▶ 721 Series

Pin spacing: 7.5 mm (0.295 inch) ▶ Actuation type: Operating tool ▶ CAGE CLAMP® ▶ Conductor entry direction to mating direction: 90° ▶ Color: light gray

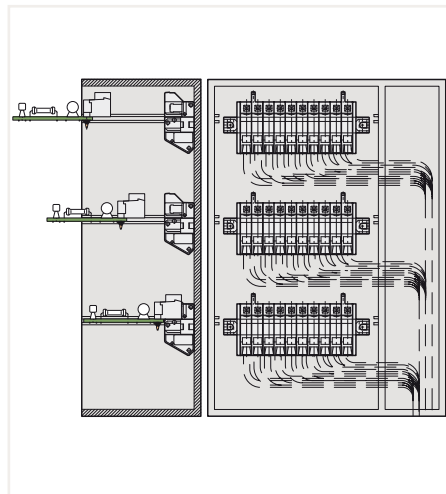
Type of mounting: Feed-through mounting, Panel mounting ▶ Mounting type: Snap-in mounting foot

Type of mounting: Panel mounting ▶ Mounting type: Mounting flange



Pole No.	Item No.	PU
2	721-332/008-000	100
3	721-333/008-000	100
4	721-334/008-000	50
5	721-335/008-000	50
7	721-337/008-000	25
8	721-338/008-000	25
9	721-339/008-000	25
10	721-340/008-000	25
11	721-341/008-000	25
12	721-342/008-000	25

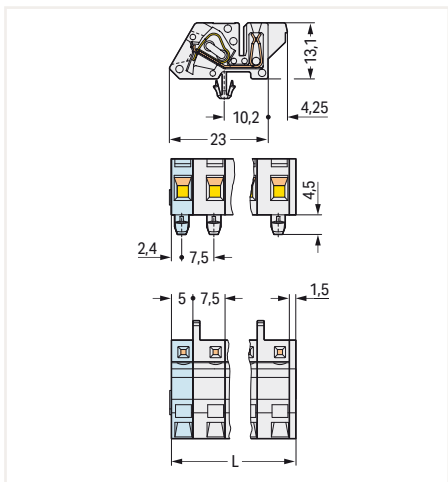
Pole No.	Item No.	PU
2	721-332/031-000	50
3	721-333/031-000	50
4	721-334/031-000	50
5	721-335/031-000	50
6	721-336/031-000	25
7	721-337/031-000	25
8	721-338/031-000	25
9	721-339/031-000	25
10	721-340/031-000	25
11	721-341/031-000	10
12	721-342/031-000	25



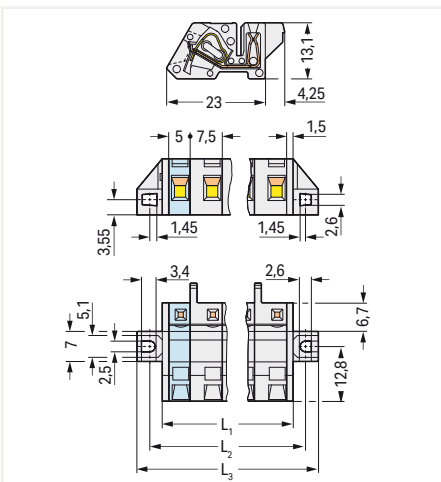
Multilevel arrangement in a distributed electronic housing



Angled female connector – male header with straight solder pins is used for horizontal PCB mounting in narrow housings.



$L = (\text{pole no.} - 1) \times \text{pin spacing} + 5 \text{ mm} + 1.5 \text{ mm}$



$L_1 = (\text{pole no.} - 1) \times \text{pin spacing} + 5 \text{ mm} + 3 \text{ mm}$   
 $L_2 = (\text{pole no.} - 1) \times \text{pin spacing} + 5 \text{ mm} + 8.8 \text{ mm}$   
 $L_3 = (\text{pole no.} - 1) \times \text{pin spacing} + 5 \text{ mm} + 14.8 \text{ mm}$

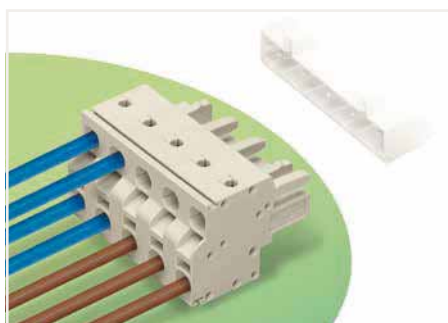
PU = Packaging Unit; SPU = Subpackaging Unit; Dimensions in mm

Other variants can be requested via the WAGO sales department or, if necessary, configured at <https://configurator.wago.com/>:

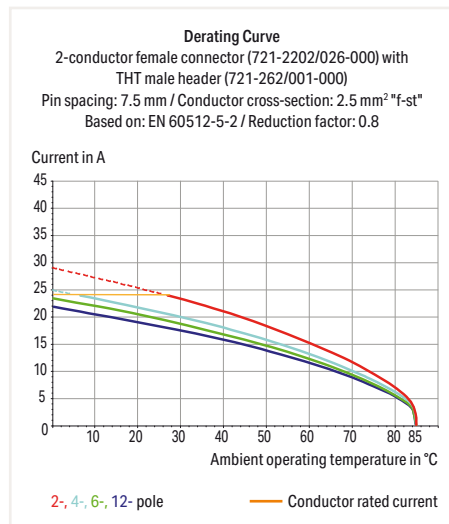
- Other pole numbers
- Gold-plated or partially gold-plated contact surfaces

## 2-Conductor Female Connector ▶ MCS MIDI ▶ 721 Series

Pin spacing: 7.5 mm (0.295 inch) ▶ Actuation type: Operating tool ▶ Push-in CAGE CLAMP® ▶ Conductor entry direction to mating direction: 0° ▶ Color: light gray



- Universal connection for all conductor types
- Two conductor entries per pole
- For looping through power or Data buses
- Bus connection is retained, even when unmated
- Push-in terminations of solid and ferruled conductors
- 100 % protected against mismatching
- With coding fingers



### Electrical Data

Ratings per	IEC/EN 60664-1		
Overvoltage category	III	III	II
Pollution degree	3	2	2
Rated voltage	500 V	630 V	1000 V
Rated impulse voltage	6 kV	6 kV	6 kV
Rated current	16 A	16 A	16 A
Approvals per	UL 1059		
Use Group	B	C	D
Rated voltage	300 V	-	300 V
Rated current	20 A	-	10 A
Approvals per	UL 1977		
Rated voltage	600 V		
Rated current	-		
Approvals per	CSA		
Use Group	B	C	D
Rated voltage	300 V	-	300 V
Rated current	15 A	-	10 A

### Connection Data

Connection technology	Push-in CAGE CLAMP®
Strip length	9 ... 10 mm / 0.35 ... 0.39 inch
Solid conductor	0.2 ... 2.5 mm <sup>2</sup> / 24 ... 12 AWG
Fine-stranded conductor	0.2 ... 2.5 mm <sup>2</sup> / 24 ... 12 AWG
Fine-stranded conductor with ferrule with plastic collar	0.25 ... 1.5 mm <sup>2</sup>
Fine-stranded conductor with ferrule without plastic collar	0.25 ... 2.5 mm <sup>2</sup>

### Material Data

Material group	I
Insulating material	Polyamide 66 (PA 66)
Flammability class per UL94	V0
Clamping spring material	Chrome nickel spring steel (CrNi)
Contact material	Copper alloy
Contact plating	Tin-plated

### Environmental Requirements

Limit temperature range	-60 ... +85 °C
-------------------------	----------------

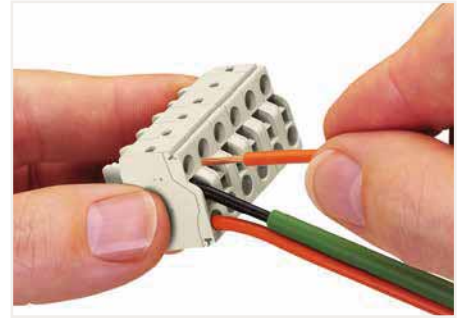
The *MULTI CONNECTION SYSTEM (MCS)* is designed without breaking capacity for compliance with DIN EN 61984. When used as intended, MCS Connectors shall not be connected/disconnected when live or under load. The circuit design should ensure header pins, which can be touched, are not live when unmated.

Ferrule	Page 847
Insulation stop	Page 537
Marking	Page 833
Strain relief	Page 539
Testing and measuring	Page 535
Tools	Page 838
Direct marking	Page 526
Additional information, see "Technical Section"	
Approvals and corresponding ratings, visit <a href="http://www.wago.com">www.wago.com</a>	

## 2-Conductor Female Connector ▶ MCS MIDI ▶ 721 Series

Pin spacing: 7.5 mm (0.295 inch) ▶ Actuation type: Operating tool ▶ Push-in CAGE CLAMP® ▶ Conductor entry direction to mating direction: 0° ▶ Color: light gray

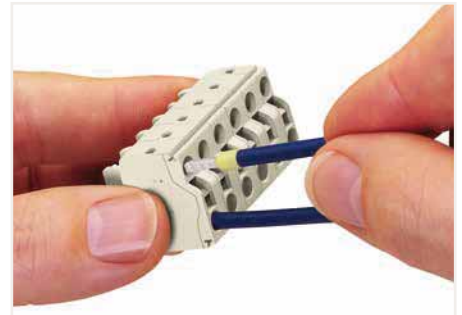
Locking of plug-in connection: locking lever



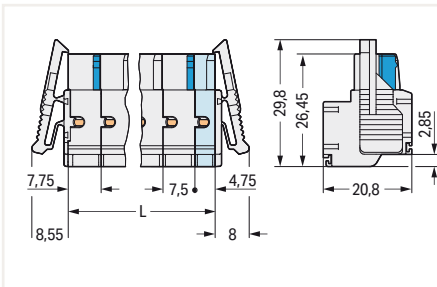
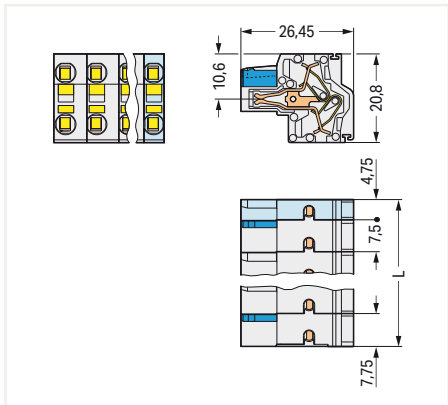
Operating Push-in CAGE CLAMP® is easy, fast and identical to that of CAGE CLAMP®. The screwdriver is fully inserted into the operating slot, holding Push-in CAGE CLAMP® open. After the conductor has been inserted into the clamping unit and the screwdriver been withdrawn, the conductor is clamped safely. Solid and fine-stranded conductors < 0.5 mm<sup>2</sup> (20 AWG) are terminated and removed using a screwdriver.

Pole No.	Item No.	PU
2	721-2202/026-000	100
3	721-2203/026-000	100
4	721-2204/026-000	50
5	721-2205/026-000	50
6	721-2206/026-000	50
7	721-2207/026-000	50
8	721-2208/026-000	25
9	721-2209/026-000	25
10	721-2210/026-000	25
11	721-2211/026-000	25
12	721-2212/026-000	25

Pole No.	Item No.	PU
2	721-2202/037-000	50
3	721-2203/037-000	50
4	721-2204/037-000	50
5	721-2205/037-000	50
6	721-2206/037-000	25
7	721-2207/037-000	25
8	721-2208/037-000	25
9	721-2209/037-000	25
10	721-2210/037-000	25
11	721-2211/037-000	10
12	721-2212/037-000	10



Solid conductors ≥ 0.5 mm<sup>2</sup> (20 AWG), as well as ferruled, fine-stranded conductors can be terminated by simply pushing them into unit. Integrated test ports allow touch contact with current bar via test probes in both horizontal and vertical directions.



$L = (\text{pole no.} - 2) \times \text{pin spacing} + 12.5 \text{ mm}$   
 2-pole female connectors – one latch only

$L = (\text{pole no.} - 2) \times \text{pin spacing} + 12.5 \text{ mm}$   
 2-pole female connectors – one latch only

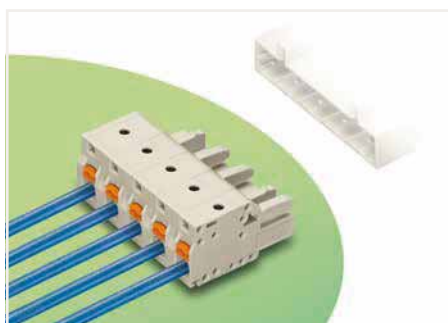
PU = Packaging Unit; SPU = Subpackaging Unit; Dimensions in mm

Other variants can be requested via the WAGO sales department or, if necessary, configured at <https://configurator.wago.com/>:

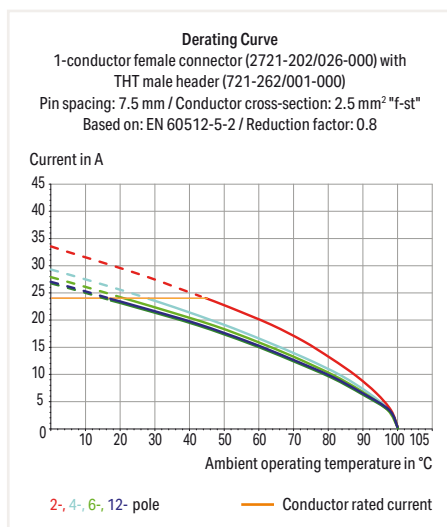
- Other pole numbers
- Gold-plated or partially gold-plated contact surfaces

## 1-Conductor Female Connector ▶ MCS MIDI ▶ 2721 Series

Pin spacing: 7.5 mm (0.295 inch) ▶ Actuation type: Push-button ▶ Push-in CAGE CLAMP® ▶ Conductor entry direction to mating direction: 0° ▶ Color: light gray



- Universal connection for all conductor types
- Easy-to-use design does not require specialty tools
- Ability to wire while mated
- Push-in termination of solid and ferruled conductors
- Integrated test ports for testing parallel to the conductor entry
- 100 % protected against mismatching
- With coding fingers



### Electrical Data

Ratings per	IEC/EN 60664-1		
Overvoltage category	III	III	II
Pollution degree	3	2	2
Rated voltage	500 V	630 V	1000 V
Rated impulse voltage	6 kV	6 kV	6 kV
Rated current	16 A	16 A	16 A
Approvals per	UL 1059		
Use Group	B	C	D
Rated voltage	300 V	150 V	300 V
Rated current	15 A	15 A	10 A
Approvals per	UL 1977		
Rated voltage	600 V		
Rated current	-		
Approvals per	CSA		
Use Group	B	C	D
Rated voltage	300 V	300 V	300 V
Rated current	15 A	15 A	10 A

### Connection Data

Connection technology	Push-in CAGE CLAMP®
Strip length	10 ... 11 mm / 0.39 ... 0.43 inch
Solid conductor	0.2 ... 2.5 mm <sup>2</sup> / 24 ... 12 AWG
Fine-stranded conductor	0.2 ... 2.5 mm <sup>2</sup> / 24 ... 12 AWG
Fine-stranded conductor with ferrule with plastic collar	0.25 ... 1.5 mm <sup>2</sup>
Fine-stranded conductor with ferrule without plastic collar	0.25 ... 2.5 mm <sup>2</sup>

### Material Data

Material group	I
Insulating material	Polyamide 66 (PA 66)
Flammability class per UL94	V0
Clamping spring material	Chrome nickel spring steel (CrNi)
Contact material	Copper alloy
Contact plating	Tin-plated

### Environmental Requirements

Limit temperature range	-60 ... +100 °C
-------------------------	-----------------

The *MULTI CONNECTION SYSTEM (MCS)* is designed without breaking capacity for compliance with DIN EN 61984. When used as intended, MCS Connectors shall not be connected/disconnected when live or under load. The circuit design should ensure header pins, which can be touched, are not live when unmated.

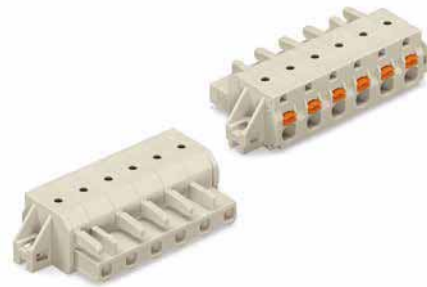
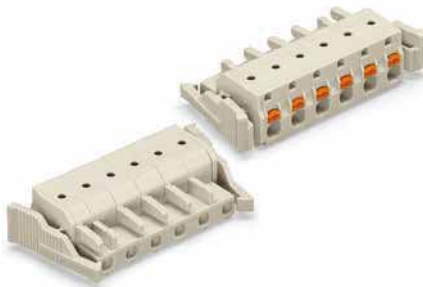
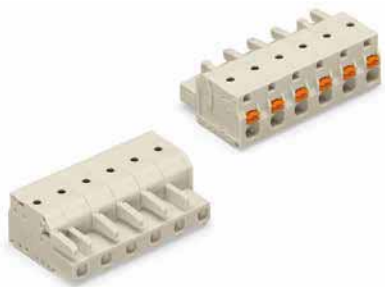
Ferrule	Page 847
Insulation stop	Page 537
Marking	Page 833
Mounting	Page 542
Mounting adapter	Page 543
Strain relief	Page 539
Testing and measuring	Page 535, 854
Tools	Page 838
Direct marking	Page 526
Cutout dimensions	Page 530
Additional information, see "Technical Section"	
Approvals and corresponding ratings, visit <a href="http://www.wago.com">www.wago.com</a>	

### 1-Conductor Female Connector ▶ MCS MIDI ▶ 2721 Series

Pin spacing: 7.5 mm (0.295 inch) ▶ Actuation type: Push-button ▶ Push-in CAGE CLAMP® ▶ Conductor entry direction to mating direction: 0° ▶ Color: light gray

Locking of plug-in connection: locking lever

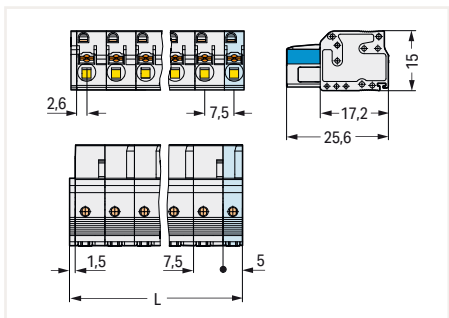
Type of mounting: Feed-through mounting, Panel mounting ▶ Mounting type: Mounting flange



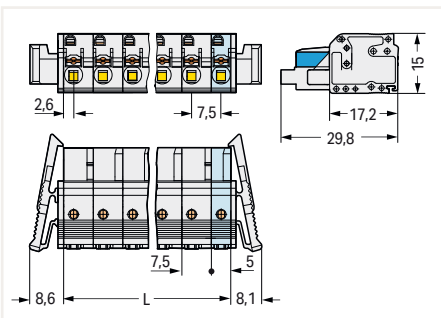
Pole No.	Item No.	PU
2	2721-202/026-000	100
3	2721-203/026-000	100
4	2721-204/026-000	50
5	2721-205/026-000	50
6	2721-206/026-000	50
7	2721-207/026-000	50
8	2721-208/026-000	25
9	2721-209/026-000	25
10	2721-210/026-000	25
11	2721-211/026-000	25
12	2721-212/026-000	25

Pole No.	Item No.	PU
2	2721-202/037-000	50
3	2721-203/037-000	50
4	2721-204/037-000	50
5	2721-205/037-000	50
6	2721-206/037-000	25
7	2721-207/037-000	25
8	2721-208/037-000	25
9	2721-209/037-000	25
10	2721-210/037-000	25
11	2721-211/037-000	10
12	2721-212/037-000	10

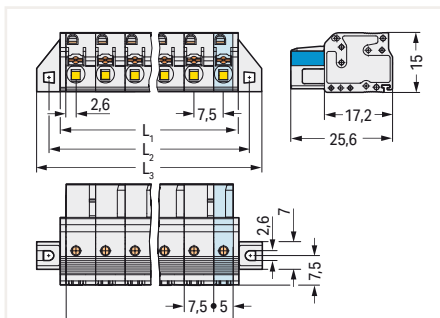
Pole No.	Item No.	PU
2	2721-202/031-000	50
3	2721-203/031-000	50
4	2721-204/031-000	50
5	2721-205/031-000	50
6	2721-206/031-000	25
7	2721-207/031-000	25
8	2721-208/031-000	25
9	2721-209/031-000	25
10	2721-210/031-000	25
11	2721-211/031-000	10
12	2721-212/031-000	10



L = (pole no. - 1) x pin spacing + 5 mm + 1.5 mm  
2-pole female connectors – one latch only



L = (pole no. - 1) x pin spacing + 5 mm  
2-pole female connectors – one latch only



L = (pole no. - 1) x pin spacing + 5 mm  
L<sub>1</sub> = L + 2.8 mm  
L<sub>2</sub> = L + 8.8 mm  
L<sub>3</sub> = L + 14.8 mm  
2-pole female connectors – one latch only

8

PU = Packaging Unit; SPU = Subpackaging Unit; Dimensions in mm

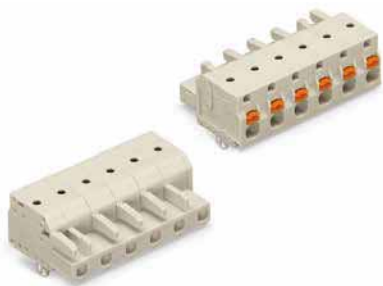
Other variants can be requested via the WAGO sales department or, if necessary, configured at <https://configurator.wago.com/>:

- Other pole numbers
- Gold-plated or partially gold-plated contact surfaces

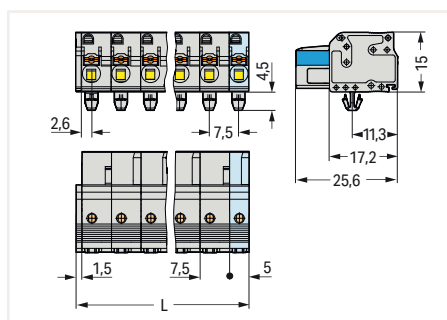
**1-Conductor Female Connector ▶ MCS MIDI ▶ 2721 Series**

Pin spacing: 7.5 mm (0.295 inch) ▶ Actuation type: Push-button ▶ Push-in CAGE CLAMP® ▶ Conductor entry direction to mating direction: 0° ▶ Color: light gray

Type of mounting: Panel mounting ▶ Mounting type:  
Snap-in mounting foot



Pole No.	Item No.	PU
2	2721-202/008-000	100
3	2721-203/008-000	100
4	2721-204/008-000	50
5	2721-205/008-000	50
6	2721-206/008-000	50
7	2721-207/008-000	50
8	2721-208/008-000	25
9	2721-209/008-000	25
10	2721-210/008-000	25
11	2721-211/008-000	10
12	2721-212/008-000	25



$L = (\text{pole no.} - 1) \times \text{pin spacing} + 5 \text{ mm} + 1.5 \text{ mm}$   
2-pole female connectors – one latch only

PU = Packaging Unit; SPU = Subpackaging Unit; Dimensions in mm

Other variants can be requested via the WAGO sales department or, if necessary, configured at <https://configurator.wago.com/>:

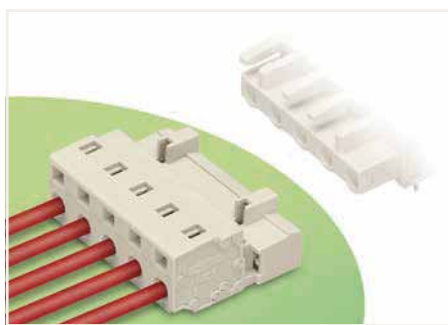
- Other pole numbers
- Gold-plated or partially gold-plated contact surfaces



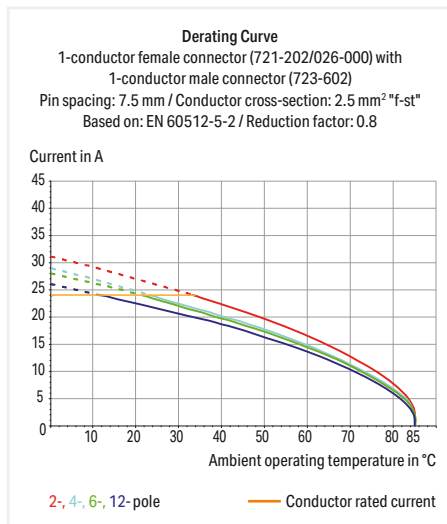


## 1-Conductor Male Connector ▶ MCS MIDI ▶ 723 Series

Pin spacing: 7.5 mm (0.295 inch) ▶ Actuation type: Operating tool ▶ CAGE CLAMP® ▶ Conductor entry direction to mating direction: 0° ▶ Color: light gray



- Universal connection for all conductor types
- Easy cable pre-assembly and on-unit wiring via vertical and horizontal CAGE CLAMP® actuation
- For wire-to-wire and board-to-wire connections
- Versions available with snap-in mounting feet or flanges for panel or through-panel mounting
- 3- to 5-pole male connectors are also available with preceding ground contact
- 100 % protected against mismatching
- With coding fingers



### Electrical Data

Ratings per	IEC/EN 60664-1		
Overvoltage category	III	III	II
Pollution degree	3	2	2
Rated voltage	500 V	630 V	1000 V
Rated impulse voltage	6 kV	6 kV	6 kV
Rated current	12 A	12 A	12 A
Approvals per	UL 1059		
Use Group	B	C	D
Rated voltage	300 V	-	300 V
Rated current	15 A	-	10 A
Approvals per	UL 1977		
Rated voltage	600 V		
Rated current	-		
Approvals per	CSA		
Use Group	B	C	D
Rated voltage	300 V	-	300 V
Rated current	15 A	-	10 A

### Connection Data

Connection technology	CAGE CLAMP®
Strip length	8 ... 9 mm / 0.31 ... 0.35 inch
Solid conductor	0.08 ... 2.5 mm <sup>2</sup> / 28 ... 12 AWG
Fine-stranded conductor	0.08 ... 2.5 mm <sup>2</sup> / 28 ... 12 AWG
Fine-stranded conductor with ferrule with plastic collar	0.25 ... 1.5 mm <sup>2</sup>
Fine-stranded conductor with ferrule without plastic collar	0.25 ... 2.5 mm <sup>2</sup>

### Material Data

Material group	I
Insulating material	Polyamide 66 (PA 66)
Flammability class per UL94	V0
Clamping spring material	Chrome nickel spring steel (CrNi)
Contact material	Electrolytic copper (Ecu)
Contact plating	Tin-plated

### Environmental Requirements

Limit temperature range	-60 ... +100 °C
-------------------------	-----------------

The *MULTI CONNECTION SYSTEM (MCS)* is designed without breaking capacity for compliance with DIN EN 61984. When used as intended, MCS Connectors shall not be connected/disconnected when live or under load. The circuit design should ensure header pins, which can be touched, are not live when unmated.

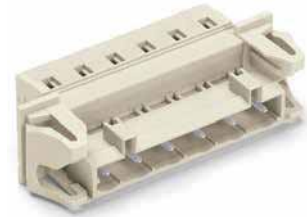
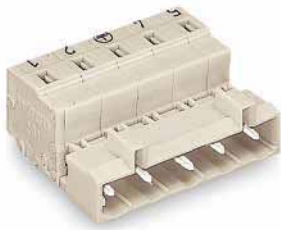
Coding	Page 536
Ferrule	Page 847
General accessory	Page 537
Insulation stop	Page 537
Mounting	Page 542
Mounting adapter	Page 543
Strain relief	Page 541
Tools	Page 534
Direct marking	Page 526
Cutout dimensions	Page 530
Additional information, see "Technical Section"	
Approvals and corresponding ratings, visit <a href="http://www.wago.com">www.wago.com</a>	

### 1-Conductor Male Connector ▶ MCS MIDI ▶ 723 Series

Pin spacing: 7.5 mm (0.295 inch) ▶ Actuation type: Operating tool ▶ CAGE CLAMP® ▶ Conductor entry direction to mating direction: 0° ▶ Color: light gray

Type of mounting: Feed-through mounting, Panel mounting ▶ Mounting type: Mounting flange

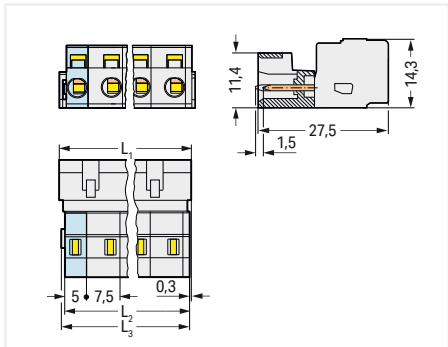
Type of mounting: Feed-through mounting ▶ Mounting type: Snap-in



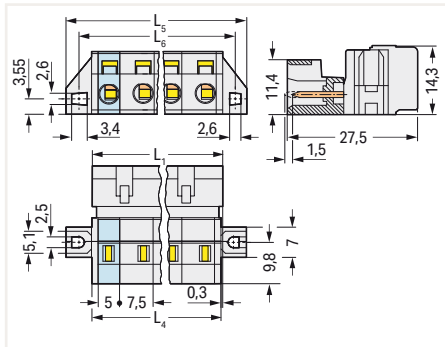
Pole No.	Item No.	PU
2	723-602	100
3	723-603	100
4	723-604	50
5	723-605	50
6	723-606	50
7	723-607	50
8	723-608	25
9	723-609	25
10	723-610	25
11	723-611	25
12	723-612	25

Pole No.	Item No.	PU
2	723-602/019-000	50
3	723-603/019-000	50
4	723-604/019-000	50
5	723-605/019-000	50
6	723-606/019-000	25
7	723-607/019-000	25
8	723-608/019-000	25
9	723-609/019-000	25
10	723-610/019-000	25
11	723-611/019-000	10
12	723-612/019-000	10

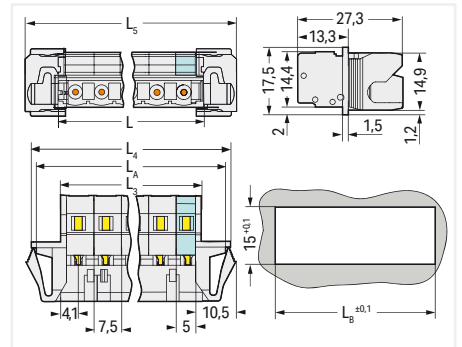
Pole No.	Item No.	PU
2	723-602/114-000	50
3	723-603/114-000	50
4	723-604/114-000	50
5	723-605/114-000	25
6	723-606/114-000	25
7	723-607/114-000	25
8	723-608/114-000	25
9	723-609/114-000	25
10	723-610/114-000	10
11	723-611/114-000	10
12	723-612/114-000	10



$L_1 = (\text{pole no.} - 1) \times \text{pin spacing} + 8.2 \text{ mm}$   
 $L_2 = L_1 - 1.7 \text{ mm}$   
 $L_3 = L_1 - 1.2 \text{ mm}$



$L_1 = (\text{pole no.} - 1) \times \text{pin spacing} + 8.2 \text{ mm}$   
 $L_4 = L_1 - 0.2 \text{ mm}$   
 $L_5 = L_4 + 5.8 \text{ mm}$   
 $L_6 = L_4 + 11.8 \text{ mm}$



$L = (\text{pole no.} - 1) \times \text{pin spacing} + 8.2 \text{ mm}$   
 $L_3 = L - 0.2 \text{ mm}$   
 $L_4 = L_3 + 15.2 \text{ mm}$   
 $L_5 = L_3 + 18 \text{ mm}$   
 $L_A = L_3 + 12.6 \text{ mm}$   
 $L_B = L_3 + 13.2 \text{ mm}$

PU = Packaging Unit; SPU = Subpackaging Unit; Dimensions in mm

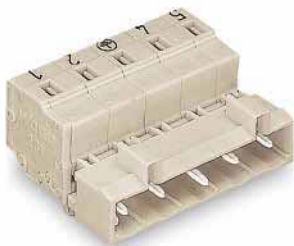
Other variants can be requested via the WAGO sales department or, if necessary, configured at <https://configurator.wago.com/>:

- Other pole numbers
- Gold-plated or partially gold-plated contact surfaces

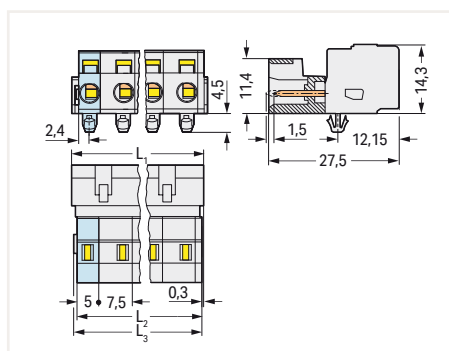
**1-Conductor Male Connector ▶ MCS MIDI ▶ 723 Series**

Pin spacing: 7.5 mm (0.295 inch) ▶ Actuation type: Operating tool ▶ CAGE CLAMP® ▶ Conductor entry direction to mating direction: 0° ▶ Color: light gray

Type of mounting: Panel mounting ▶ Mounting type:  
Snap-in mounting foot



Pole No.	Item No.	PU
2	723-602/018-000	100
3	723-603/018-000	100
4	723-604/018-000	50
5	723-605/018-000	50
6	723-606/018-000	50
7	723-607/018-000	50
8	723-608/018-000	25
9	723-609/018-000	25
10	723-610/018-000	25
11	723-611/018-000	25
12	723-612/018-000	25



$L_1 = (\text{pole no.} - 1) \times \text{pin spacing} + 8.2 \text{ mm}$

$L_2 = L_1 - 1.7 \text{ mm}$

$L_3 = L_1 - 1.2 \text{ mm}$

PU = Packaging Unit; SPU = Subpackaging Unit; Dimensions in mm

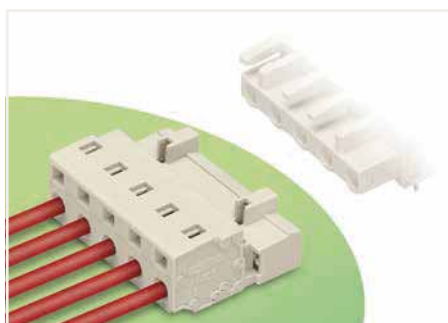
Other variants can be requested via the WAGO sales department or, if necessary, configured at <https://configurator.wago.com/>:

- Other pole numbers
- Gold-plated or partially gold-plated contact surfaces

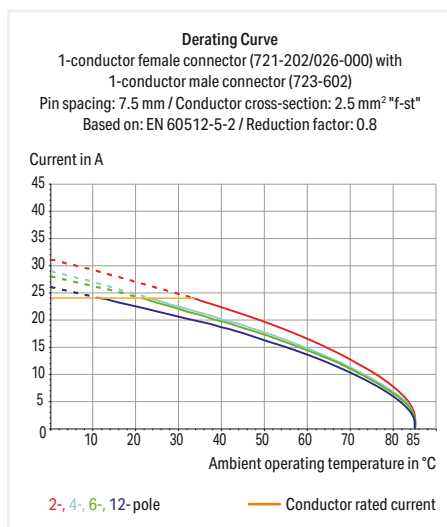


## 1-Conductor Male Connector ▶ MCS MIDI ▶ 723 Series

Pin spacing: 7.5 mm (0.295 inch) ▶ Actuation type: Operating tool ▶ CAGE CLAMP® ▶ with preceding GND contact ▶ Conductor entry direction to mating direction: 0° ▶ Color: light gray



- Universal connection for all conductor types
- Easy cable pre-assembly and on-unit wiring via vertical and horizontal CAGE CLAMP® actuation
- For wire-to-wire and board-to-wire connections
- Versions available with snap-in mounting feet or flanges for panel or through-panel mounting
- 3- to 5-pole male connectors are also available with preceding ground contact
- 100 % protected against mismatching
- With coding fingers



### Electrical Data

Ratings per	IEC/EN 60664-1		
Overvoltage category	III	III	II
Pollution degree	3	2	2
Rated voltage	500 V	630 V	1000 V
Rated impulse voltage	6 kV	6 kV	6 kV
Rated current	12 A	12 A	12 A
Approvals per	UL 1059		
Use Group	B	C	D
Rated voltage	300 V	-	300 V
Rated current	15 A	-	10 A
Approvals per	UL 1977		
Rated voltage	600 V		
Rated current	-		
Approvals per	CSA		
Use Group	B	C	D
Rated voltage	300 V	-	300 V
Rated current	15 A	-	10 A

### Connection Data

Connection technology	CAGE CLAMP®
Strip length	8 ... 9 mm / 0.31 ... 0.35 inch
Solid conductor	0.08 ... 2.5 mm <sup>2</sup> / 28 ... 12 AWG
Fine-stranded conductor	0.08 ... 2.5 mm <sup>2</sup> / 28 ... 12 AWG
Fine-stranded conductor with ferrule with plastic collar	0.25 ... 1.5 mm <sup>2</sup>
Fine-stranded conductor with ferrule without plastic collar	0.25 ... 2.5 mm <sup>2</sup>

### Material Data

Material group	I
Insulating material	Polyamide 66 (PA 66)
Flammability class per UL94	V0
Clamping spring material	Chrome nickel spring steel (CrNi)
Contact material	Electrolytic copper (Ecu)
Contact plating	Tin-plated

### Environmental Requirements

Limit temperature range	-60 ... +100 °C
-------------------------	-----------------

The *MULTI CONNECTION SYSTEM (MCS)* is designed without breaking capacity for compliance with DIN EN 61984. When used as intended, MCS Connectors shall not be connected/disconnected when live or under load. The circuit design should ensure header pins, which can be touched, are not live when unmated.

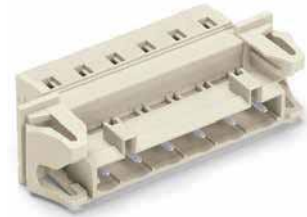
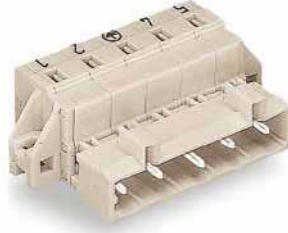
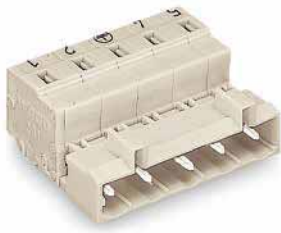
Coding	Page 536
Ferrule	Page 847
General accessory	Page 537
Insulation stop	Page 537
Mounting	Page 542
Mounting adapter	Page 543
Strain relief	Page 541
Tools	Page 534
Direct marking	Page 526
Cutout dimensions	Page 530
Additional information, see "Technical Section"	
Approvals and corresponding ratings, visit <a href="http://www.wago.com">www.wago.com</a>	

### 1-Conductor Male Connector ▶ MCS MIDI ▶ 723 Series

Pin spacing: 7.5 mm (0.295 inch) ▶ Actuation type: Operating tool ▶ CAGE CLAMP® ▶ with preceding GND contact ▶ Conductor entry direction to mating direction: 0° ▶ Color: light gray

Type of mounting: Feed-through mounting, Panel mounting ▶ Mounting type: Mounting flange

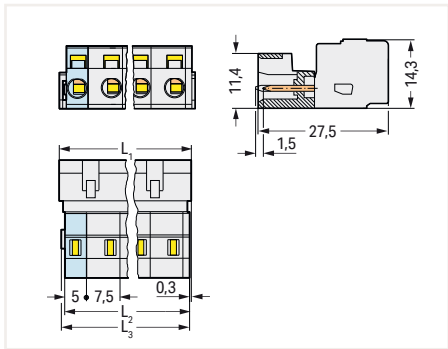
Type of mounting: Feed-through mounting ▶ Mounting type: Snap-in



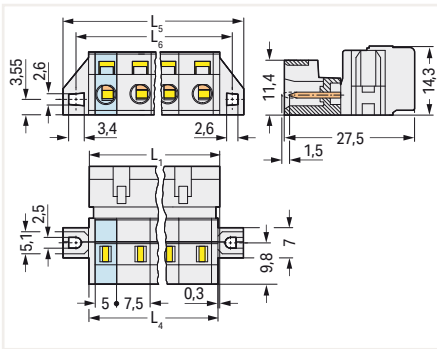
Pole No.	Item No.	PU
3	723-603/000-042	100
4	723-604/000-042	50
5	723-605/000-042	50

Pole No.	Item No.	PU
3	723-603/019-042	50
4	723-604/019-042	50
5	723-605/019-042	50

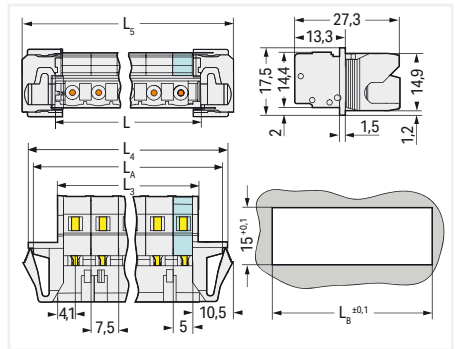
Pole No.	Item No.	PU
3	723-603/114-042	50
4	723-604/114-042	50
5	723-605/114-042	25



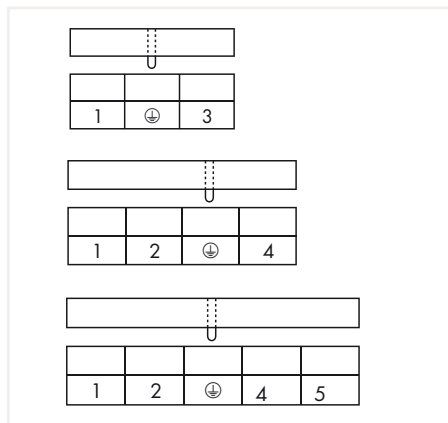
$L_1 = (\text{pole no.} - 1) \times \text{pin spacing} + 8.2 \text{ mm}$   
 $L_2 = L_1 - 1.7 \text{ mm}$   
 $L_3 = L_1 - 1.2 \text{ mm}$



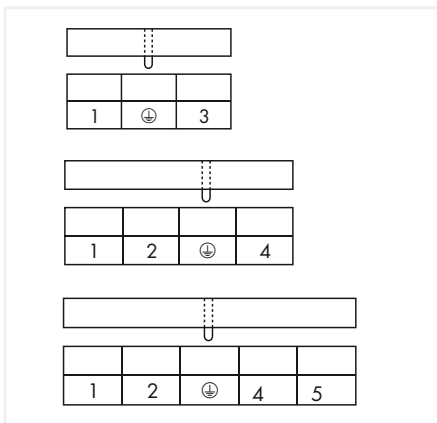
$L_1 = (\text{pole no.} - 1) \times \text{pin spacing} + 8.2 \text{ mm}$   
 $L_4 = L_1 - 0.2 \text{ mm}$   
 $L_5 = L_4 + 5.8 \text{ mm}$   
 $L_6 = L_4 + 11.8 \text{ mm}$



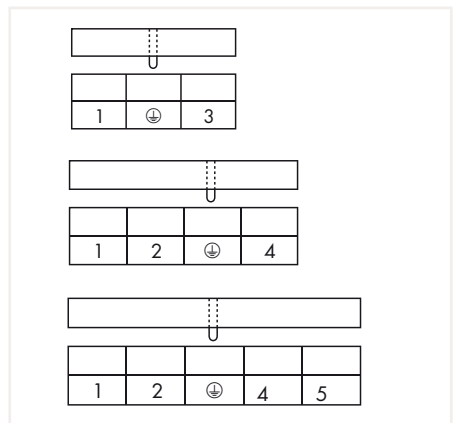
$L = (\text{pole no.} - 1) \times \text{pin spacing} + 8.2 \text{ mm}$   
 $L_3 = L - 0.2 \text{ mm}$   
 $L_4 = L_3 + 15.2 \text{ mm}$   
 $L_5 = L_3 + 18 \text{ mm}$   
 $L_6 = L_3 + 12.6 \text{ mm}$   
 $L_8 = L_3 + 13.2 \text{ mm}$



Preceding ground contact position



Preceding ground contact position



Preceding ground contact position

PU = Packaging Unit; SPU = Subpackaging Unit; Dimensions in mm

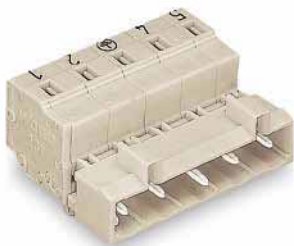
Other variants can be requested via the WAGO sales department or, if necessary, configured at <https://configurator.wago.com/>:

- Other pole numbers
- Gold-plated or partially gold-plated contact surfaces

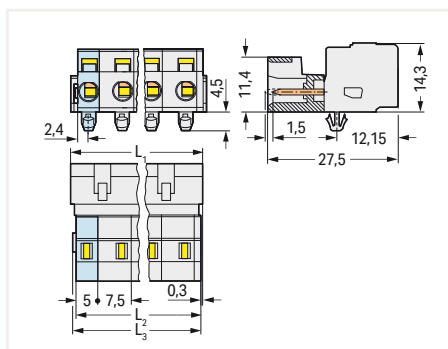
## 1-Conductor Male Connector ▶ MCS MIDI ▶ 723 Series

Pin spacing: 7.5 mm (0.295 inch) ▶ Actuation type: Operating tool ▶ CAGE CLAMP® ▶ with preceding GND contact ▶ Conductor entry direction to mating direction: 0° ▶ Color: light gray

Type of mounting: Panel mounting ▶ Mounting type: Snap-in mounting foot



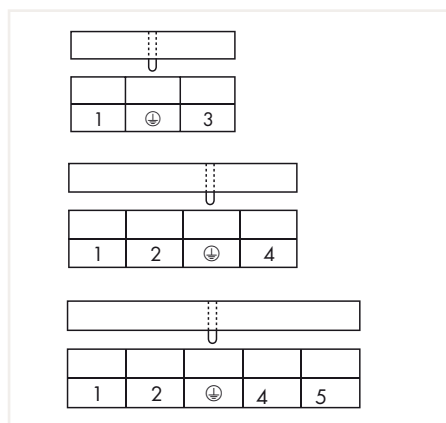
Pole No.	Item No.	PU
3	723-603/018-042	100
4	723-604/018-042	50
5	723-605/018-042	50



$L_1 = (\text{pole no.} - 1) \times \text{pin spacing} + 8.2 \text{ mm}$

$L_2 = L_1 - 1.7 \text{ mm}$

$L_3 = L_1 - 1.2 \text{ mm}$



Preceding ground contact position

PU = Packaging Unit; SPU = Subpackaging Unit; Dimensions in mm

Other variants can be requested via the WAGO sales department or, if necessary, configured at <https://configurator.wago.com/>:

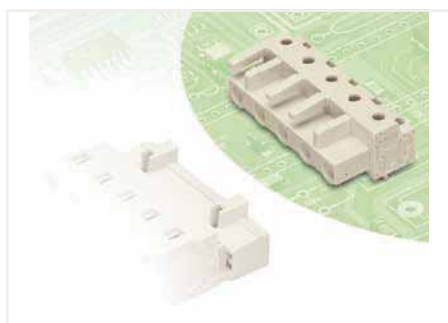
- Other pole numbers
- Gold-plated or partially gold-plated contact surfaces



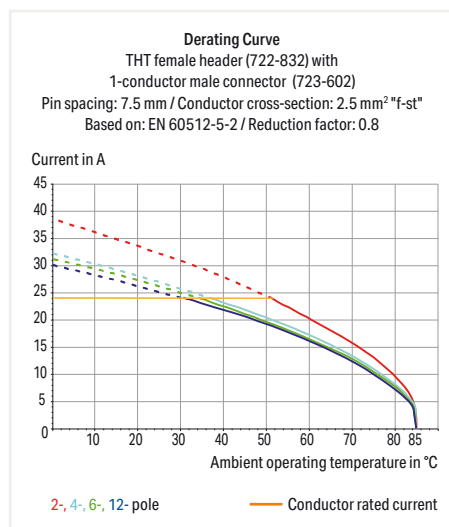


**THT Female Header ▶ MCS MIDI ▶ 722 Series**

Pin spacing: 7.5 mm (0.295 inch) ▶ Solder pin dimensions: 0.6 x 1 mm ▶ Color: light gray



- Horizontal or vertical PCB mounting via straight or angled solder pins
- For board-to-board and board-to-wire connections
- Touch-proof PCB outputs
- Easy-to-identify PCB inputs and outputs
- 100 % protected against mismatching
- With coding fingers

**Electrical Data**

Ratings per	IEC/EN 60664-1		
Overvoltage category	III	III	II
Pollution degree	3	2	2
Rated voltage	500 V	630 V	1000 V
Rated impulse voltage	6 kV	6 kV	6 kV
Rated current	12 A	12 A	12 A
Approvals per	UL 1059		
Use Group	B	C	D
Rated voltage	300 V	-	300 V
Rated current	15 A	-	10 A
Approvals per	UL 1977		
Rated voltage	600 V		
Rated current	-		
Approvals per	CSA		
Use Group	B	C	D
Rated voltage	300 V	-	300 V
Rated current	15 A	-	10 A

**Material Data**

Material group	I
Insulating material	Polyamide 66 (PA 66)
Flammability class per UL94	V0
Contact material	Copper alloy
Contact plating	Tin-plated

**Mechanical Data**

Solder pin arrangement	Over the entire female connector, in line
Solder pin length	5 mm
Solder pin dimensions	0.6 x 1 mm
Drilled hole diameter (tolerance)	1.3 <sup>(+0.1)</sup> mm

**Environmental Requirements**

Limit temperature range	-60 ... +85 °C
-------------------------	----------------

The *MULTI CONNECTION SYSTEM (MCS)* is designed without breaking capacity for compliance with DIN EN 61984. When used as intended, MCS Connectors shall not be connected/disconnected when live or under load. The circuit design should ensure header pins, which can be touched, are not live when unmated.

Mounting	Page 537, 837
Testing and measuring	Page 535, 854
Cutout dimensions	Page 530
Additional information, see "Technical Section"	
Approvals and corresponding ratings, visit <a href="http://www.wago.com">www.wago.com</a>	

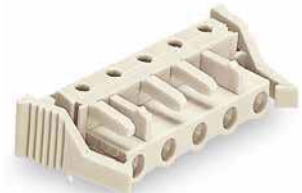
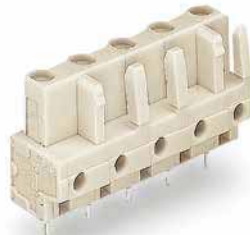
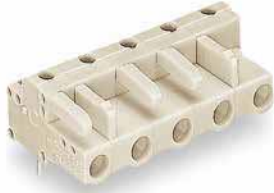
### THT Female Header ▶ MCS MIDI ▶ 722 Series

Pin spacing: 7.5 mm (0.295 inch) ▶ Solder pin dimensions: 0.6 x 1 mm ▶ Color: light gray

Mating direction to the PCB: 0°

Mating direction to the PCB: 90°

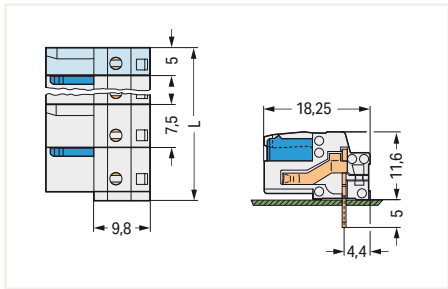
Locking of plug-in connection: locking lever ▶ Mating direction to the PCB: 0°



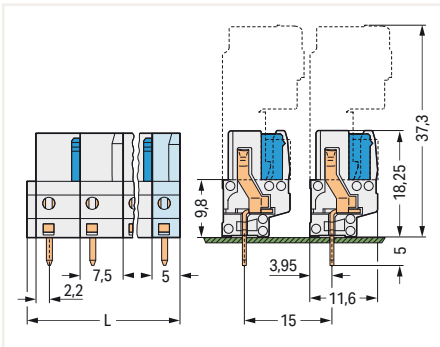
Pole No.	Item No.	PU
2	722-832	100
3	722-833	100
4	722-834	50
5	722-835	50
6	722-836	50
7	722-837	50
8	722-838	25
9	722-839	25
10	722-840	25
11	722-841	25
12	722-842	25

Pole No.	Item No.	PU
2	722-732	100
3	722-733	100
4	722-734	50
5	722-735	50
6	722-736	50
7	722-737	50
8	722-738	25
9	722-739	25
10	722-740	25
11	722-741	25
12	722-742	25

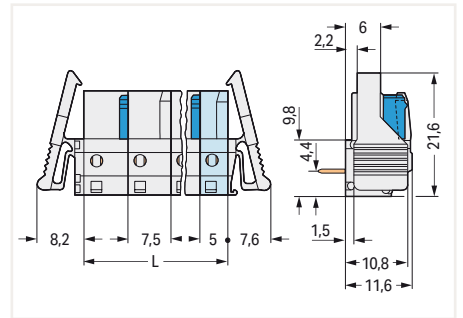
Pole No.	Item No.	PU
2	722-832/039-000	50
3	722-833/039-000	50
4	722-834/039-000	50
5	722-835/039-000	50
6	722-836/039-000	25
7	722-837/039-000	25
8	722-838/039-000	25
9	722-839/039-000	25
10	722-840/039-000	25
11	722-841/039-000	10
12	722-842/039-000	10



L = (pole no. - 1) x pin spacing + 5 mm + 1.5 mm  
2-pole female connectors – one latch only



L = (pole no. - 1) x pin spacing + 5 mm + 1.5 mm  
2-pole female connectors – one latch only



L = (pole no. - 1) x pin spacing + 5 mm  
2-pole female connectors – one latch only

PU = Packaging Unit; SPU = Subpackaging Unit; Dimensions in mm

Other variants can be requested via the WAGO sales department or, if necessary, configured at <https://configurator.wago.com/>:

- Other pole numbers
- 3.8 mm pin projection for male headers with straight solder pins

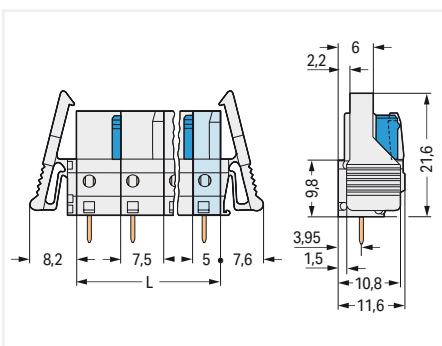
**THT Female Header ▶ MCS MIDI ▶ 722 Series**

Pin spacing: 7.5 mm (0.295 inch) ▶ Solder pin dimensions: 0.6 x 1 mm ▶ Color: light gray

Locking of plug-in connection: locking lever ▶ Mating direction to the PCB: 90°



Pole No.	Item No.	PU
2	722-732/039-000	50
3	722-733/039-000	50
4	722-734/039-000	50
5	722-735/039-000	50
6	722-736/039-000	25
7	722-737/039-000	25
8	722-738/039-000	25
9	722-739/039-000	25
10	722-740/039-000	25
11	722-741/039-000	10
12	722-742/039-000	10



$L = (\text{pole no.} - 1) \times \text{pin spacing} + 5 \text{ mm} + 1.5 \text{ mm}$   
 2-pole female connectors – one latch only

PU = Packaging Unit; SPU = Subpackaging Unit; Dimensions in mm

Other variants can be requested via the WAGO sales department or, if necessary, configured at <https://configurator.wago.com/>:

- Other pole numbers
- 3.8 mm pin projection for male headers with straight solder pins

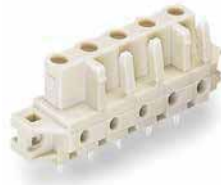
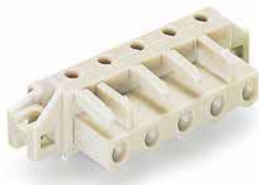
## THT Female Header ▶ MCS MIDI ▶ 722 Series

Pin spacing: 7.5 mm (0.295 inch) ▶ Solder pin dimensions: 0.6 x 1 mm ▶ Color: light gray

Type of mounting: Feed-through mounting, Panel mounting ▶ Mounting type: Mounting flange

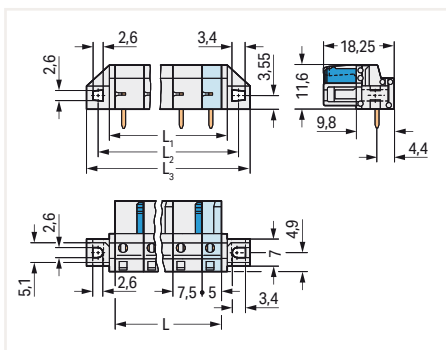
Mating direction to the PCB: 0°

Mating direction to the PCB: 90°

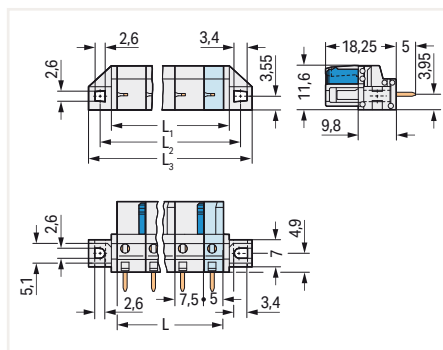


Pole No.	Item No.	PU
2	722-832/031-000	50
3	722-833/031-000	50
4	722-834/031-000	50
5	722-835/031-000	50
6	722-836/031-000	25
7	722-837/031-000	25
8	722-838/031-000	25
9	722-839/031-000	25
10	722-840/031-000	25
11	722-841/031-000	10
12	722-842/031-000	10

Pole No.	Item No.	PU
2	722-732/031-000	50
3	722-733/031-000	50
4	722-734/031-000	50
5	722-735/031-000	50
6	722-736/031-000	25
7	722-737/031-000	25
8	722-738/031-000	25
9	722-739/031-000	25
10	722-740/031-000	25
11	722-741/031-000	10
12	722-742/031-000	10



$L = (\text{pole no.} - 1) \times \text{pin spacing} + 5 \text{ mm}$   
 $L_1 = L + 3 \text{ mm}$   
 $L_2 = L + 8.8 \text{ mm}$   
 $L_3 = L + 14.8 \text{ mm}$   
 2-pole female connectors – one latch only



$L = (\text{pole no.} - 1) \times \text{pin spacing} + 5 \text{ mm}$   
 $L_1 = L + 3 \text{ mm}$   
 $L_2 = L + 8.8 \text{ mm}$   
 $L_3 = L + 14.8 \text{ mm}$   
 2-pole female connectors – one latch only

PU = Packaging Unit; SPU = Subpackaging Unit; Dimensions in mm

Other variants can be requested via the WAGO sales department or, if necessary, configured at <https://configurator.wago.com/>:

- Other pole numbers
- 3.8 mm pin projection for male headers with straight solder pins

**THT Female Header ▶ MCS MIDI ▶ 722 Series**

Pin spacing: 7.5 mm (0.295 inch) ▶ Solder pin dimensions: 0.6 x 1 mm ▶ Color: light gray

Type of mounting: Flush mounting, Panel mounting ▶ Mounting type: Mounting flange

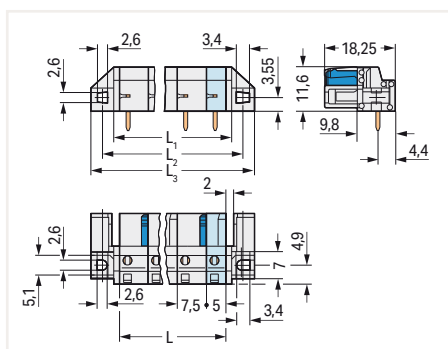
Mating direction to the PCB: 0°

Mating direction to the PCB: 90°

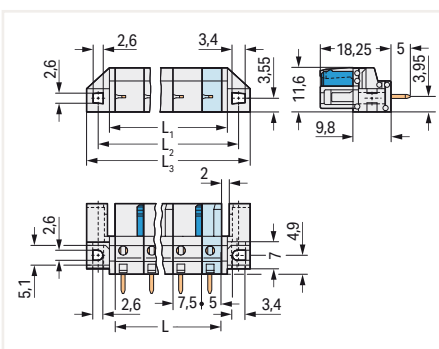


Pole No.	Item No.	PU
2	722-832/047-000	50
3	722-833/047-000	50
4	722-834/047-000	50
5	722-835/047-000	50
6	722-836/047-000	25
7	722-837/047-000	25
8	722-838/047-000	25
9	722-839/047-000	25
10	722-840/047-000	25
11	722-841/047-000	10
12	722-842/047-000	10

Pole No.	Item No.	PU
2	722-732/047-000	50
3	722-733/047-000	50
4	722-734/047-000	50
5	722-735/047-000	50
6	722-736/047-000	25
7	722-737/047-000	25
8	722-738/047-000	25
9	722-739/047-000	25
10	722-740/047-000	25
11	722-741/047-000	10
12	722-742/047-000	10



$L = (\text{pole no.} - 1) \times \text{pin spacing} + 5 \text{ mm}$   
 $L_1 = L + 3 \text{ mm}$   
 $L_2 = L + 8.8 \text{ mm}$   
 $L_3 = L + 14.8 \text{ mm}$   
 2-pole female connectors – one latch only



$L = (\text{pole no.} - 1) \times \text{pin spacing} + 5 \text{ mm}$   
 $L_1 = L + 3 \text{ mm}$   
 $L_2 = L + 8.8 \text{ mm}$   
 $L_3 = L + 14.8 \text{ mm}$   
 2-pole female connectors – one latch only

PU = Packaging Unit; SPU = Subpackaging Unit; Dimensions in mm

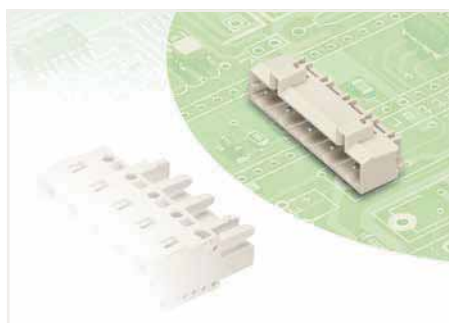
Other variants can be requested via the WAGO sales department or, if necessary, configured at <https://configurator.wago.com/>:

- Other pole numbers
- 3.8 mm pin projection for male headers with straight solder pins

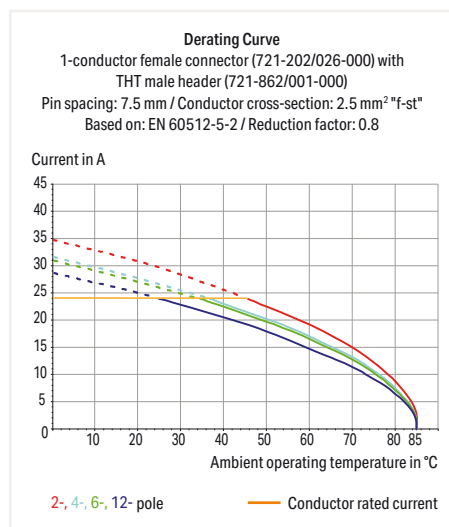


**THT Male Header ▶ MCS MIDI ▶ 721 Series**

Pin spacing: 7.5 mm (0.295 inch) ▶ Solder pin dimensions: 1 x 1 mm ▶ Color: light gray



- Horizontal or vertical PCB mounting via straight or angled solder pins
- Pin cross-section: 1 x 1 mm
- 100 % protected against mismatching
- With coding fingers

**Electrical Data**

Ratings per	IEC/EN 60664-1		
Overvoltage category	III	III	II
Pollution degree	3	2	2
Rated voltage	500 V	630 V	1000 V
Rated impulse voltage	6 kV	6 kV	6 kV
Rated current	12 A	12 A	12 A
Approvals per	UL 1059		
Use Group	B	C	D
Rated voltage	300 V	-	300 V
Rated current	15 A	-	10 A
Approvals per	UL 1977		
Rated voltage	600 V		
Rated current	-		
Approvals per	CSA		
Use Group	B	C	D
Rated voltage	300 V	-	300 V
Rated current	15 A	-	10 A

**Material Data**

Material group	I
Insulating material	Polyamide 66 (PA 66)
Flammability class per UL94	V0
Contact material	Electrolytic copper (Ecu)
Contact plating	Tin-plated

**Mechanical Data**

Solder pin arrangement	Over the entire male connector, in line
Solder pin dimensions	1 x 1 mm
Drilled hole diameter (tolerance)	1.4 <sup>(+0.1)</sup> mm

**Environmental Requirements**

Limit temperature range	-60 ... +100 °C
-------------------------	-----------------

The *MULTI CONNECTION SYSTEM (MCS)* is designed without breaking capacity for compliance with DIN EN 61984. When used as intended, MCS Connectors shall not be connected/disconnected when live or under load. The circuit design should ensure header pins, which can be touched, are not live when unmated.

Coding Page 536

Additional information, see "Technical Section"

Approvals and corresponding ratings, visit [www.wago.com](http://www.wago.com)

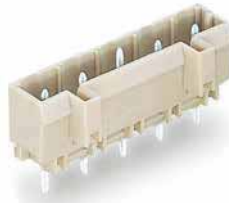
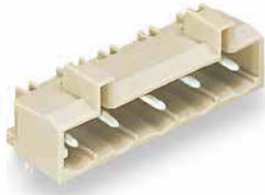


## THT Male Header ▶ MCS MIDI ▶ 721 Series

Pin spacing: 7.5 mm (0.295 inch) ▶ Solder pin dimensions: 1 x 1 mm ▶ Color: light gray

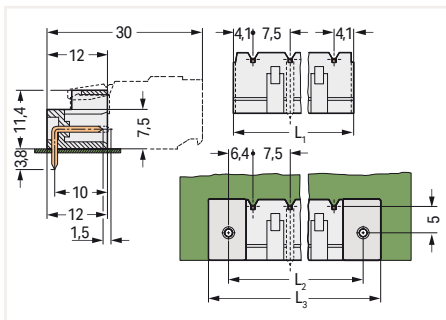
Mating direction to the PCB: 0°

Mating direction to the PCB: 90°



Pole No.	Item No.	PU
2	721-832/001-000	200
3	721-833/001-000	200
4	721-834/001-000	100
5	721-835/001-000	100
6	721-836/001-000	100
7	721-837/001-000	50
8	721-838/001-000	50
9	721-839/001-000	50
10	721-840/001-000	50
11	721-841/001-000	50
12	721-842/001-000	50

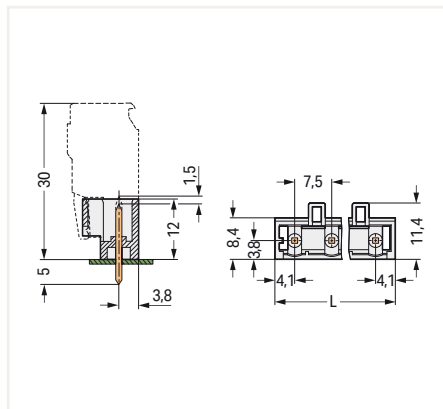
Pole No.	Item No.	PU
2	721-232/001-000	200
3	721-233/001-000	200
4	721-234/001-000	100
5	721-235/001-000	100
6	721-236/001-000	100
7	721-237/001-000	50
8	721-238/001-000	50
9	721-239/001-000	50
10	721-240/001-000	50
10	721-241/001-000	50
12	721-242/001-000	50



$$L_1 = (\text{pole no.} - 1) \times \text{pin spacing} + 8.2 \text{ mm}$$

$$L_2 = L_1 + 5 \text{ mm}$$

$$L_3 = L_2 + 7.4 \text{ mm}$$



$$L = (\text{pole no.} - 1) \times \text{pin spacing} + 8.2 \text{ mm}$$

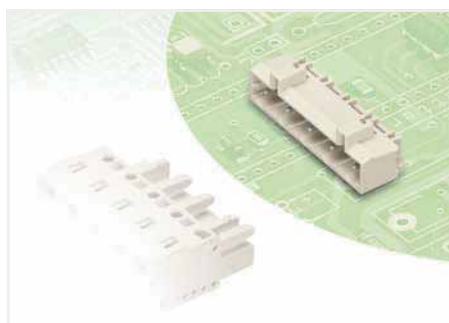
PU = Packaging Unit; SPU = Subpackaging Unit; Dimensions in mm

Other variants can be requested via the WAGO sales department or, if necessary, configured at <https://configurator.wago.com/>:

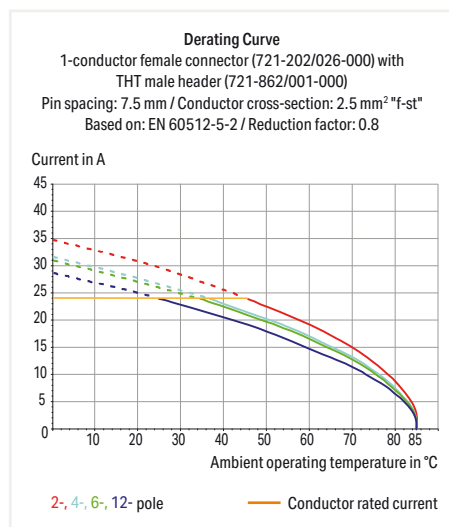
- Other pole numbers
- 3.8 mm pin projection for male headers with straight solder pins
- Gold-plated or partially gold-plated contact surfaces

**THT Male Header ▶ MCS MIDI ▶ 721 Series**

Pin spacing: 7.5 mm (0.295 inch) ▶ Solder pin dimensions: 1.2 x 1.2 mm ▶ Color: light gray



- Horizontal or vertical PCB mounting via straight or angled solder pins
- 1.2 x 1.2 mm solder pins allow nominal current up to 16 A, enhancing stability of shorter headers
- 100 % protected against mismatching
- With coding fingers

**Electrical Data**

Ratings per	IEC/EN 60664-1		
Overvoltage category	III	III	II
Pollution degree	3	2	2
Rated voltage	500 V	630 V	1000 V
Rated impulse voltage	6 kV	6 kV	6 kV
Rated current	16 A	16 A	16 A
Approvals per	UL 1059		
Use Group	B	C	D
Rated voltage	300 V	-	300 V
Rated current	15 A	-	10 A
Approvals per	UL 1977		
Rated voltage	600 V		
Rated current	-		
Approvals per	CSA		
Use Group	B	C	D
Rated voltage	300 V	-	300 V
Rated current	15 A	-	10 A

**Material Data**

Material group	I
Insulating material	Polyamide 66 (PA 66)
Flammability class per UL94	V0
Contact material	Electrolytic copper (Ecu)
Contact plating	Tin-plated

**Mechanical Data**

Solder pin arrangement	Over the entire male connector, in line
Solder pin dimensions	1.2 x 1.2 mm
Drilled hole diameter (tolerance)	1.7 <sup>(+0.1)</sup> mm

**Environmental Requirements**

Limit temperature range	-60 ... +100 °C
-------------------------	-----------------

The *MULTI CONNECTION SYSTEM (MCS)* is designed without breaking capacity for compliance with DIN EN 61984. When used as intended, MCS Connectors shall not be connected/disconnected when live or under load. The circuit design should ensure header pins, which can be touched, are not live when unmated.

Coding Page 536

Additional information, see "Technical Section"

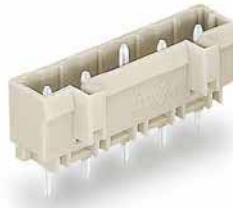
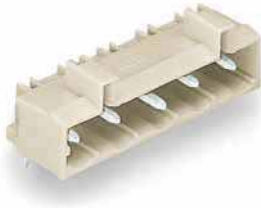
Approvals and corresponding ratings, visit [www.wago.com](http://www.wago.com)

## THT Male Header ▶ MCS MIDI ▶ 721 Series

Pin spacing: 7.5 mm (0.295 inch) ▶ Solder pin dimensions: 1.2 x 1.2 mm ▶ Color: light gray

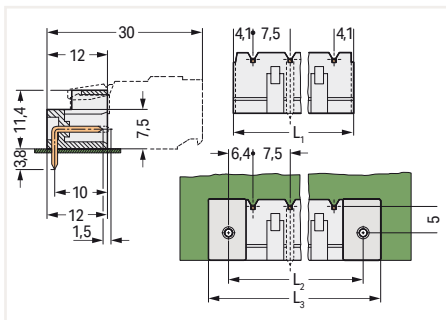
Mating direction to the PCB: 0°

Mating direction to the PCB: 90°



Pole No.	Item No.	PU
2	721-862/001-000	200
3	721-863/001-000	200
4	721-864/001-000	100
5	721-865/001-000	100
6	721-866/001-000	100
7	721-867/001-000	50
8	721-868/001-000	50
9	721-869/001-000	50
10	721-870/001-000	50
11	721-871/001-000	50
12	721-872/001-000	50

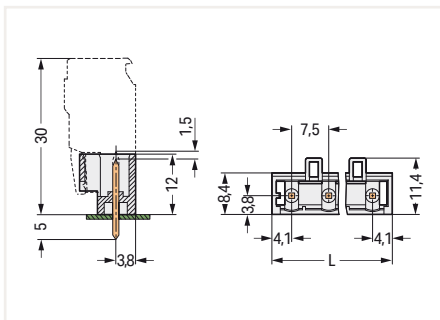
Pole No.	Item No.	PU
2	721-262/001-000	100
3	721-263/001-000	200
4	721-264/001-000	100
5	721-265/001-000	100
6	721-266/001-000	100
7	721-267/001-000	50
8	721-268/001-000	50
9	721-269/001-000	50
10	721-270/001-000	50
10	721-271/001-000	50
12	721-272/001-000	50



$$L_1 = (\text{pole no.} - 1) \times \text{pin spacing} + 8.2 \text{ mm}$$

$$L_2 = L_1 + 5 \text{ mm}$$

$$L_3 = L_2 + 7.4 \text{ mm}$$



$$L = (\text{pole no.} - 1) \times \text{pin spacing} + 8.2 \text{ mm}$$

PU = Packaging Unit; SPU = Subpackaging Unit; Dimensions in mm

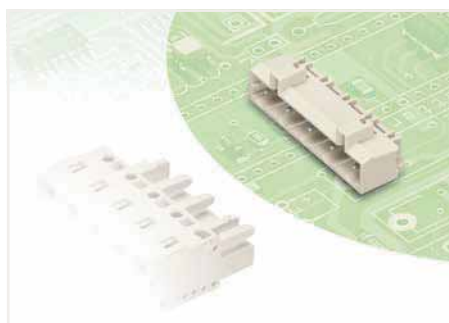
Other variants can be requested via the WAGO sales department or, if necessary, configured at <https://configurator.wago.com/>:

- Other pole numbers
- 3.8 mm pin projection for male headers with straight solder pins
- Gold-plated or partially gold-plated contact surfaces

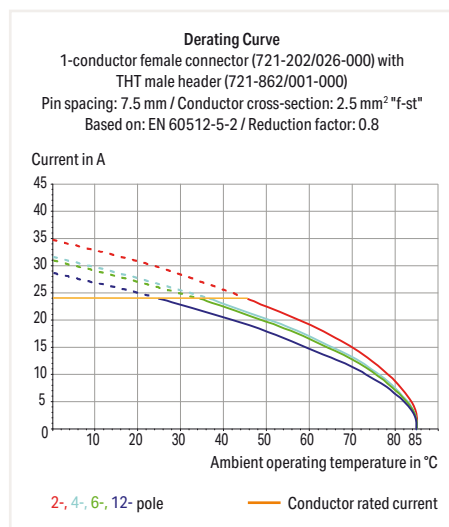
**THT Male Header ▶ MCS MIDI ▶ 721 Series**

Pin spacing: 7.5 mm (0.295 inch) ▶ with preceding GND contact ▶ Solder pin dimensions: 1 x 1 mm

▶ Color: light gray



- Horizontal or vertical PCB mounting via straight or angled solder pins
- Pin cross-section: 1 x 1 mm
- 100 % protected against mismatching
- With coding fingers

**Electrical Data**

Ratings per	IEC/EN 60664-1		
Overvoltage category	III	III	II
Pollution degree	3	2	2
Rated voltage	500 V	630 V	1000 V
Rated impulse voltage	6 kV	6 kV	6 kV
Rated current	12 A	12 A	12 A
Approvals per	UL 1059		
Use Group	B	C	D
Rated voltage	300 V	-	300 V
Rated current	15 A	-	10 A
Approvals per	UL 1977		
Rated voltage	600 V		
Rated current	-		
Approvals per	CSA		
Use Group	B	C	D
Rated voltage	300 V	-	300 V
Rated current	15 A	-	10 A

**Material Data**

Material group	I
Insulating material	Polyamide 66 (PA 66)
Flammability class per UL94	V0
Contact material	Electrolytic copper (Ecu)
Contact plating	Tin-plated

**Mechanical Data**

Solder pin arrangement	Over the entire male connector, in line
Solder pin dimensions	1 x 1 mm
Drilled hole diameter (tolerance)	1.4 <sup>(+0.1)</sup> mm

**Environmental Requirements**

Limit temperature range	-60 ... +100 °C
-------------------------	-----------------

The *MULTI CONNECTION SYSTEM (MCS)* is designed without breaking capacity for compliance with DIN EN 61984. When used as intended, MCS Connectors shall not be connected/disconnected when live or under load. The circuit design should ensure header pins, which can be touched, are not live when unmated.

Coding Page 536

Additional information, see "Technical Section"

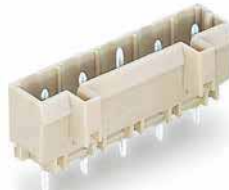
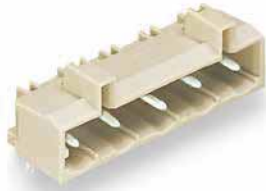
Approvals and corresponding ratings, visit [www.wago.com](http://www.wago.com)

### THT Male Header ▶ MCS MIDI ▶ 721 Series

Pin spacing: 7.5 mm (0.295 inch) ▶ with preceding GND contact ▶ Solder pin dimensions: 1 x 1 mm  
 ▶ Color: light gray

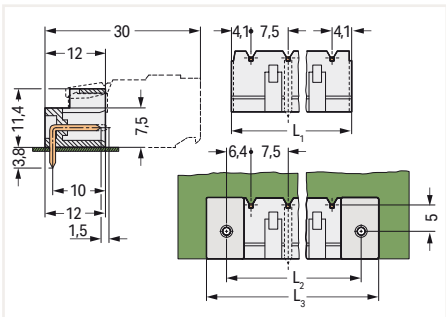
Mating direction to the PCB: 0°

Mating direction to the PCB: 90°

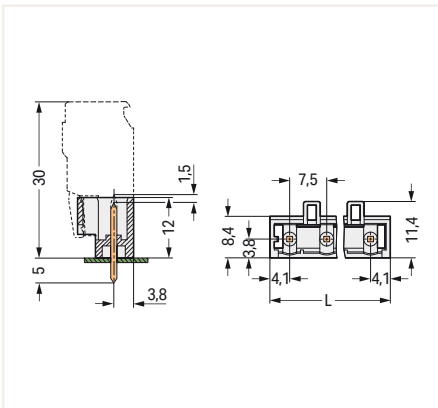


Pole No.	Item No.	PU
3	721-833/001-040	200
4	721-834/001-040	100
5	721-835/001-040	100

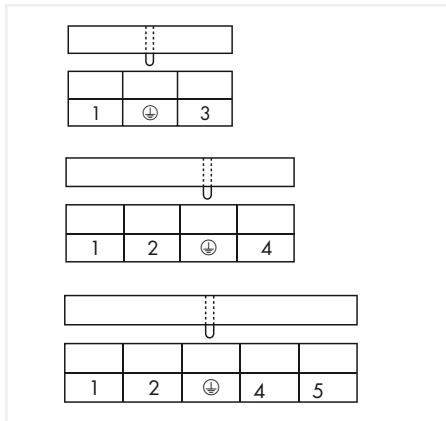
Pole No.	Item No.	PU
3	721-233/001-040	200
4	721-234/001-040	100
5	721-235/001-040	100



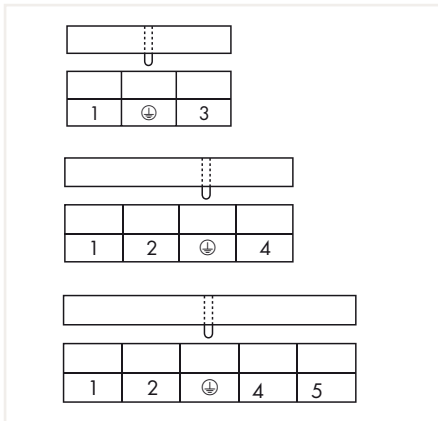
$L_1 = (\text{pole no.} - 1) \times \text{pin spacing} + 8.2 \text{ mm}$   
 $L_2 = L_1 + 5 \text{ mm}$   
 $L_3 = L_2 + 7.4 \text{ mm}$



$L = (\text{pole no.} - 1) \times \text{pin spacing} + 8.2 \text{ mm}$



Preceding ground contact position



Preceding ground contact position

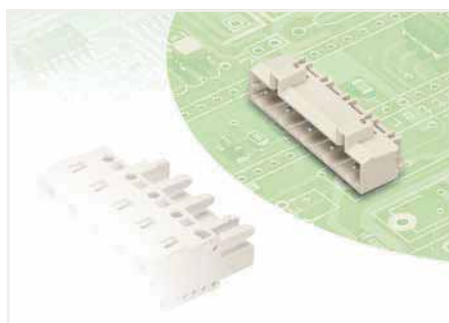
PU = Packaging Unit; SPU = Subpackaging Unit; Dimensions in mm

Other variants can be requested via the WAGO sales department or, if necessary, configured at <https://configurator.wago.com/>:

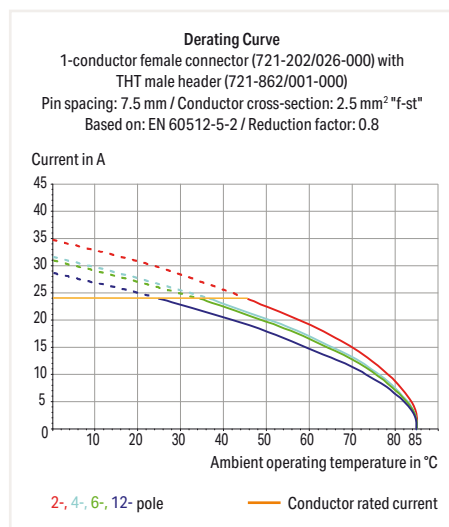
- Other pole numbers
- 3.8 mm pin projection for male headers with straight solder pins
- Gold-plated or partially gold-plated contact surfaces

**THT Male Header ▶ MCS MIDI ▶ 721 Series**

Pin spacing: 7.5 mm (0.295 inch) ▶ with preceding GND contact ▶ Solder pin dimensions: 1.2 x 1.2 mm ▶ Color: light gray



- Horizontal or vertical PCB mounting via straight or angled solder pins
- 1.2 x 1.2 mm solder pins allow nominal current up to 16 A, enhancing stability of horter headers
- 100 % protected against mismatching
- With coding fingers

**Electrical Data**

Ratings per		IEC/EN 60664-1		
Overvoltage category		III	III	II
Pollution degree		3	2	2
Rated voltage		500 V	630 V	1000 V
Rated impulse voltage		6 kV	6 kV	6 kV
Rated current		16 A	16 A	16 A
Approvals per		UL 1059		
Use Group		B	C	D
Rated voltage		300 V	-	300 V
Rated current		15 A	-	10 A
Approvals per		UL 1977		
Rated voltage		600 V		
Rated current		-		
Approvals per		CSA		
Use Group		B	C	D
Rated voltage		300 V	-	300 V
Rated current		15 A	-	10 A

**Material Data**

Material group	I
Insulating material	Polyamide 66 (PA 66)
Flammability class per UL94	V0
Contact material	Electrolytic copper (Ecu)
Contact plating	Tin-plated

**Mechanical Data**

Solder pin arrangement	Over the entire male connector, in line
Solder pin dimensions	1.2 x 1.2 mm
Drilled hole diameter (tolerance)	1.7 <sup>(+0.1)</sup> mm

**Environmental Requirements**

Limit temperature range	-60 ... +100 °C
-------------------------	-----------------

The *MULTI CONNECTION SYSTEM (MCS)* is designed without breaking capacity for compliance with DIN EN 61984. When used as intended, MCS Connectors shall not be connected/disconnected when live or under load. The circuit design should ensure header pins, which can be touched, are not live when unmated.

Coding Page 536

Additional information, see "Technical Section"

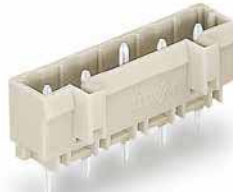
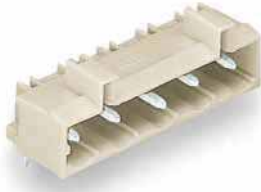
Approvals and corresponding ratings, visit [www.wago.com](http://www.wago.com)

### THT Male Header ▶ MCS MIDI ▶ 721 Series

Pin spacing: 7.5 mm (0.295 inch) ▶ with preceding GND contact ▶ Solder pin dimensions: 1.2 x 1.2 mm ▶ Color: light gray

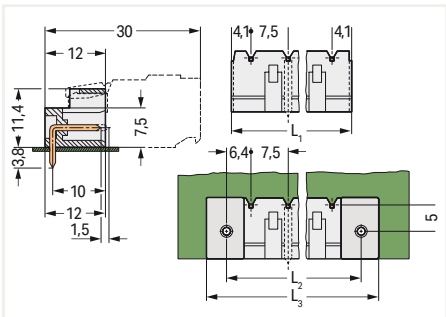
Mating direction to the PCB: 0°

Mating direction to the PCB: 90°

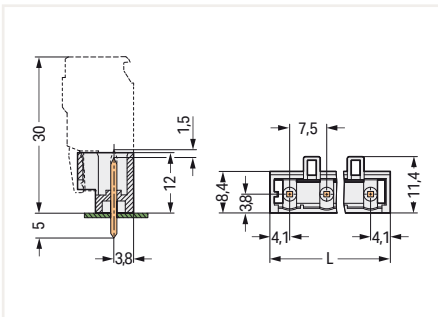


Pole No.	Item No.	PU
3	721-863/001-040	200
4	721-864/001-040	100
5	721-865/001-040	100

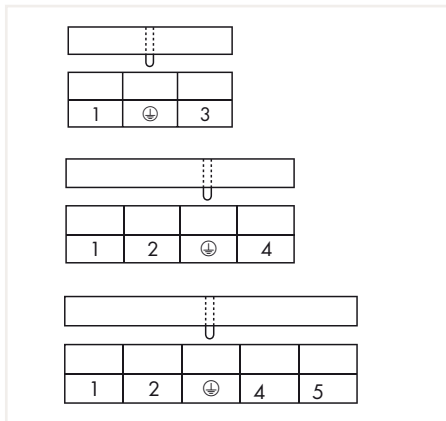
Pole No.	Item No.	PU
3	721-263/001-040	200
4	721-264/001-040	100
5	721-265/001-040	100



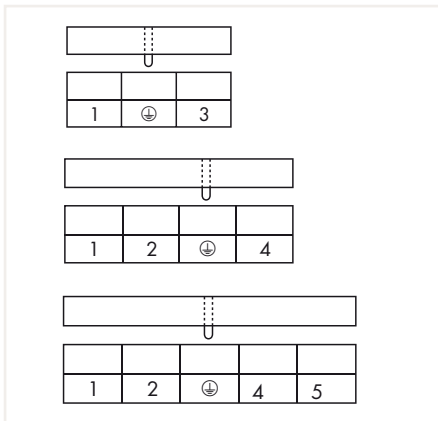
$L_1 = (\text{pole no.} - 1) \times \text{pin spacing} + 8.2 \text{ mm}$   
 $L_2 = L_1 + 5 \text{ mm}$   
 $L_3 = L_2 + 7.4 \text{ mm}$



$L = (\text{pole no.} - 1) \times \text{pin spacing} + 8.2 \text{ mm}$



Preceding ground contact position



Preceding ground contact position

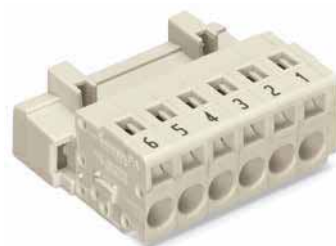
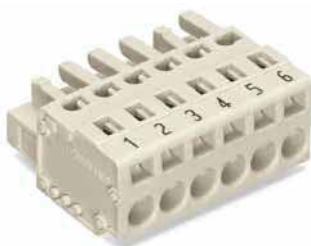
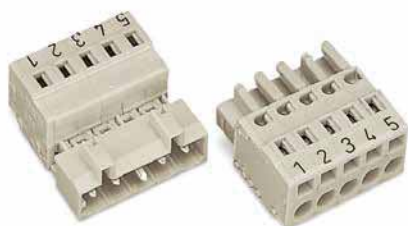
PU = Packaging Unit; SPU = Subpackaging Unit; Dimensions in mm

Other variants can be requested via the WAGO sales department or, if necessary, configured at <https://configurator.wago.com/>:

- Other pole numbers
- 3.8 mm pin projection for male headers with straight solder pins
- Gold-plated or partially gold-plated contact surfaces

# Direct Marking

## MCS MIDI and MCS MIDI Classic



The pole numbers of male and female connectors for CAGE CLAMP® termination can be marked via factory direct marking.

Two standard marking orientations are available:

1. Marking perpendicular to conductor entry
2. Marking parallel to conductor entry

Other custom marking options are available upon request.

Direct marking is not suitable for MCS PCB Male Headers. WAGO recommends pole marking on the PCB for these headers.

Female headers with solder pins are exposed to aggressive flux agents during wave soldering. Custom direct marking procedures are available upon request for these items.

The marking type is always defined by the second 4-digit block of the item no. suffix for items with standard colors and materials.

Example: 721-106/... - xxxx

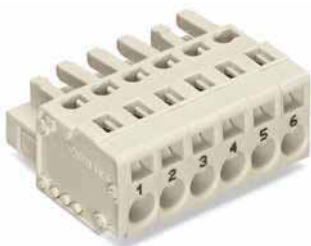
xxxx = Item no. suffix for direct marking

Direct marking of 1-conductor female connectors; perpendicular to conductor entry; 1 ... pole no.; item no. suffix: /... - 047

Version	Item No. Example
1-conductor female connector; 5 mm pin spacing; 6-pole; light gray	721-106/026-047
1-conductor female connector; with locking levers; 5 mm pin spacing; 6-pole; light gray	721-106/037-047
1-conductor female connector; with strain relief plate; 5 mm pin spacing; 6-pole; light gray	721-106/026-047/034-000
1-conductor female connector; with locking levers and strain relief plate; 5 mm pin spacing; 6-pole; light gray	721-106/026-047/034-000

Direct marking of 1-conductor male connectors; perpendicular to conductor entry; pole no. ... 1; item no. suffix: /... - 044

Version	Item No. Example
1-conductor male connector; 6-pole; light gray	721-606/000-044
1-conductor male connector; with mounting flanges; 6-pole; light gray	721-606/019-044
1-conductor male connector; with mounting flanges and strain relief plate; 6-pole; light gray	721-606/019-044/034-000



Direct marking of 1-conductor female connectors; parallel to conductor entry; 1 ... pole no.; item no. suffix: /... - 9037

Version	Item No. Example
1-conductor female connector; 5 mm pin spacing; 6-pole; light gray	721-106/026-9037
1-conductor female connector; with locking levers; 5 mm pin spacing; 6-pole; light gray	721-106/037-9037
1-conductor female connector; with strain relief plate; 5 mm pin spacing; 6-pole; light gray	721-106/026-9037/034-000
1-conductor female connector; with locking levers and strain relief plate; 5 mm pin spacing; 6-pole; light gray	721-106/037-9037/034-000

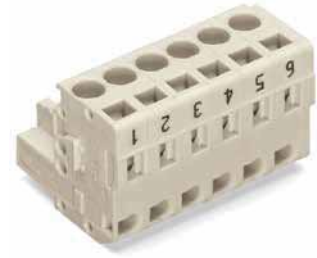
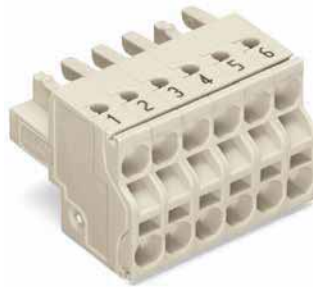
Direct marking of 1-conductor male connectors; parallel to conductor entry; pole no. ... 1; item no. suffix: /... - 9034

Version	Item No. Example
1-conductor male connector; 5 mm pin spacing; 6-pole; light gray	721-606/000-9034
1-conductor male connector; with mounting flanges; 5 mm pin spacing; 6-pole; light gray	721-606/019-9034
1-conductor male connector; with mounting flanges and strain relief plate; 5 mm pin spacing; 6-pole; light gray	721-606/019-9034/034-000



# Direct Marking

## MCS MIDI and MCS MIDI Classic



Direct marking of 1-conductor female connectors with push-buttons; perpendicular to conductor entry; 1 ... pole no.; item no. suffix.: /... - 047

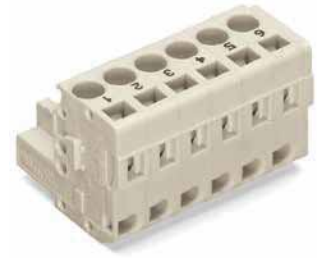
Version	Item No. Example
1-conductor female connector; with push-buttons; 5 mm pin spacing; 6-pole; light gray	2721-106/026-047
1-conductor female connector; with locking levers; 5 mm pin spacing; 6-pole; light gray	2721-106/037-047
1-conductor female connector; with push-buttons and strain relief plate; 5 mm pin spacing; 6-pole; light gray	2721-106/026-047/134-000
1-conductor female connector; with push-buttons; locking levers and strain relief plate; 5 mm pin spacing; 6-pole; light gray	2721-106/037-047/134-000

Direct marking of 2-conductor female connectors; perpendicular to conductor entry; 1 ... pole no.; item no. suffix.: /... - 047

Version	Item No. Example
2-conductor female connector; 6-pole; light gray	721-2106/026-047
2-conductor female connector; with locking levers; 6-pole; light gray	721-2106/037-047
2-conductor female connector; with locking levers and strain relief plate; 6-pole; light gray	721-2106/026-047/134-000

Direct marking of 1-conductor angled female connectors; perpendicular to conductor entry; 1 ... pole no.; item no. suffix.: /... - 047

Version	Item No. Example
1-conductor angled female connector; 6-pole; light gray	722-206/026-047
1-conductor angled female connector; with strain relief plate; 6-pole; light gray	722-206/026-047/034-000



Direct marking of 1-conductor female connectors with push-buttons; parallel to conductor entry; 1 ... pole no.; item no. suffix.: /... - 9037

Version	Item No. Example
1-conductor female connector; with push-buttons; 5 mm pin spacing; 6-pole; light gray	2721-106/026-9037
1-conductor female connector; with push-buttons and locking levers; 5 mm pin spacing; 6-pole; light gray	2721-106/037-9037
1-conductor female connector; with push-buttons and strain relief plate; 5 mm pin spacing; 6-pole; light gray	2721-106/026-9037/134-000
1-conductor female connector; with push-buttons; locking levers and strain relief plate; 5 mm pin spacing; 6-pole; light gray	2721-106/037-9037/134-000

Direct marking of 2-conductor female connectors; parallel to conductor entry; 1 ... pole no.; item no. suffix.: /... - 9037

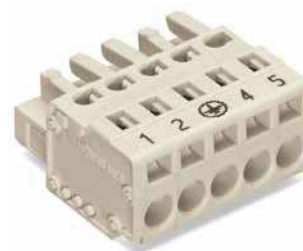
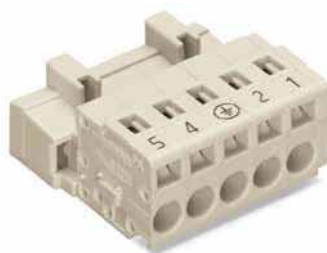
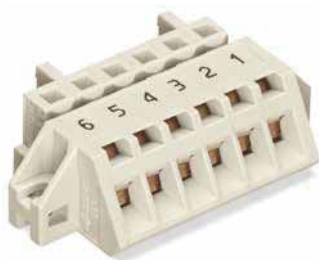
Version	Item No. Example
2-conductor female connector; 5 mm pin spacing; 6-pole; light gray	721-2106/026-9037
2-conductor female connector; with locking levers; 5 mm pin spacing; 6-pole; light gray	721-2106/037-9037
2-conductor female connector; with locking levers and strain relief plate; 6-pole; light gray	721-2106/026-9037/134-000

Direct marking of 1-conductor angled female connectors; parallel to conductor entry; 1 ... pole no.; item no. suffix.: /... - 047

Version	Item No. Example
1-conductor angled female connector; 5 mm pin spacing; 6-pole; light gray	722-206/026-9037
1-conductor angled female connector; with strain relief plate; 5 mm pin spacing; 6-pole; light gray	722-206/026-9037/034-000

## Direct Marking

### MCS MIDI and MCS MIDI Classic



Direct marking of 2-conductor angled female connectors with flanges for panel mounting; perpendicular to conductor entry; 1 ... pole no.; item no. suffix.: /... - 047

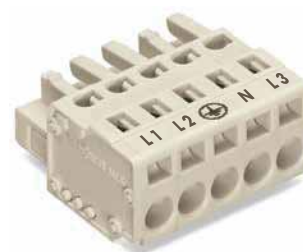
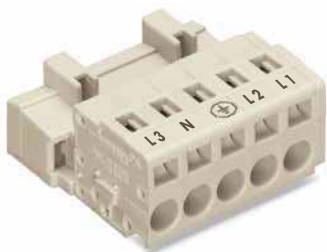
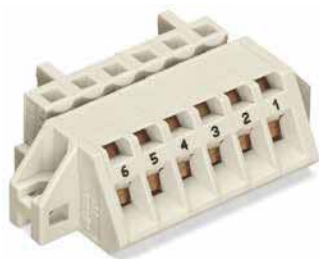
Version	Item No. Example
1-conductor angled female connector; with flanges for panel mounting; 5 mm pin spacing; 6-pole; light gray	721-306/031-047
1-conductor angled female connector; with flanges for panel mounting; with snap-in mounting feet; 5 mm pin spacing; 6-pole; light gray	721-306/008-047

Direct marking of 3- to 5-pole; 1-conductor male connectors with preceding ground contact; perpendicular to conductor entry; pole assignment; item no. suffix.: /... - 042

Version	Item No. Example
1-conductor male connector; with preceding ground contact; 5 mm pin spacing; 5-pole; light gray	721-605/000-042
1-conductor male connectors in 3- to 5-pole versions (721 and 723 Series) are available with the following markings:	
3-pole: 3 - 3 - 1	
4-pole: 4 - 3 - 2 - 1	
5-pole: 5 - 3 - ⊕ - 2 - 1	

Direct marking of 3- to 5-pole; 1-conductor female connectors for 1-conductor male connectors with preceding ground contact; perpendicular to conductor entry; pole assignment; item no. suffix.: /... - 045

Version	Item No. Example
1-conductor female connector; with preceding ground contact; 5 mm pin spacing; 5-pole; light gray	721-105/026-045
1-conductor female connectors in 3- to 5-pole versions (721, 2721, 722 and 723 Series) for 1-conductor male connectors with preceding ground contact are available with the following markings:	
3-pole: 1 - 3 - 3	
4-pole: 1 - 2 - 3 - 4	
5-pole: 1 - 2 - ⊕ - 4 - 5	



Direct marking of 1-conductor angled female connectors with flanges for panel mounting; parallel to conductor entry; 1 ... pole no.; item no. suffix.: /... - 9037

Version	Item No. Example
1-conductor female connector; with push-buttons; 5 mm pin spacing; 6-pole; light gray	2721-106/026-9037
1-conductor female connector; with push-buttons and locking levers; 5 mm pin spacing; 6-pole; light gray	2721-106/037-9037
1-conductor female connector; with push-buttons and strain relief plate; 5 mm pin spacing; 6-pole; light gray	2721-106/026-9037/134-000
1-conductor female connector; with push-buttons; locking levers and strain relief plate; 5 mm pin spacing; 6-pole; light gray	2721-106/037-9037/134-000

Direct marking of 3- to 5-pole; 1-conductor male connectors with preceding ground contact; perpendicular to conductor entry; pole assignment; item no. suffix.: /... - 041

Version	Item No. Example
1-conductor male connector; with preceding ground contact; 5 mm pin spacing; 5-pole; light gray	721-605/000-041
1-conductor male connectors in 3- to 5-pole versions (721 and 723 Series) are available with the following markings:	
3-pole: N - 3 - L 1	
4-pole: L 2 - 3 - N - L 1	
5-pole: L 3 - N - 3 - L 2 - L 1	
Pole no. ... 1; item no. suffix.: /... - 043	

Direct marking of 3- to 5-pole; 1-conductor female connectors for 1-conductor male connectors with preceding ground contact; perpendicular to conductor entry; pole assignment; item no. suffix.: /... - 046

Version	Item No. Example
1-conductor female connector; with preceding ground contact; 5 mm pin spacing; 5-pole; light gray	721-105/026-046
1-conductor female connectors in 3- to 5-pole versions (721, 2721, 722 and 723 Series) for 1-conductor male connectors with preceding ground contact are available with the following markings:	
3-pole: L 1 - 3 - N	
4-pole: L 1 - N - 3 - L 2	
5-pole: L 1 - L 2 - 3 - N - L 3	
1 ... pole no.; item no. suffix.: /... - 047	



# Cutout Dimensions MCS MIDI



**Table 1:**  
Cutout for 231, 721, 723 and 731 Series Male and Female Connectors with Mounting Flanges

Pole No.	Pin Spacing 5 mm		Pin Spacing 5.08 mm		Pin Spacing 7.5 mm		Pin Spacing 7.62 mm	
	L1	L2	L1	L2	L1	L2	L1	L2
2	13.4	18.4	13.6	18.6	15.9	20.9	16	21
3	18.4	23.4	18.6	23.6	23.4	28.4	23.6	28.6
4	23.4	28.4	23.7	28.7	30.9	35.9	31.3	36.3
5	28.4	33.4	28.8	33.8	38.4	43.4	38.9	43.9
6	33.5	38.3	34	38.8	46	50.8	46.6	51.4
7	38.5	43.3	39.1	43.9	53.5	58.3	54.2	59
8	43.5	48.3	44.1	48.9	61	65.8	61.8	66.6
9	48.5	53.3	49.2	54	68.5	73.3	69.5	74.3
10	53.5	58.3	54.3	59.1	76	80.8	77.1	81.9
11	58.5	63.3	59.4	64.2	83.5	88.3	84.7	89.5
12	63.5	68.3	64.5	69.3	91	95.8	92.3	97.1
13	68.6	73.2	69.6	74.2	98.6	103.2	100	104.6
14	73.6	78.2	74.7	79.3	106.1	110.7	107.7	112.3
15	78.6	83.2	79.8	84.4	113.6	118.2	115.3	119.9
16	83.6	88.2	84.9	89.5	121.1	125.7	122.9	127.5
17	88.6	93.2	90	94.6	128.6	133.2	130.5	135.1
18	93.6	98.2	95	99.6	136.1	140.7	138.1	142.7
19	98.7	103.1	100.2	104.6	143.7	148.1	145.9	150.3
20	103.7	108.1	105.3	109.7	151.2	155.6	153.5	157.9
21	108.7	113.1	110.4	114.8	158.7	163.1	161.1	165.5
22	113.7	118.1	115.5	119.9	166.2	170.6	168.7	173.1
23	118.7	123.1	120.5	124.9	173.7	178.1	176.3	180.7
24	123.7	128.1	125.6	130	181.2	185.6	184	188.4

Self-tapping screws,  
for 1.8 mm ± 0.1 mm Ø mounting hole

Dimensions	Item No.	PU (SPU)
B 2.2 x 9.5 mm	209-147	200 (100)
B 2.2 x 13 mm	231-194	200 (100)

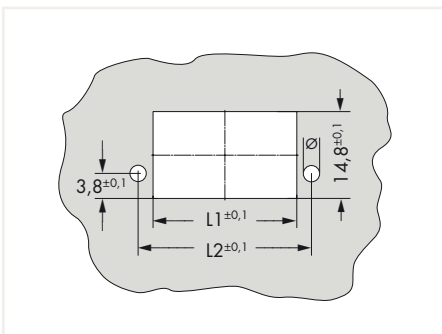
Screws with nuts,  
for 2.5 mm ± 0.1 mm Ø mounting hole

Dimensions	Item No.	PU (SPU)
M 2 x 12 mm	231-195	200 (100)

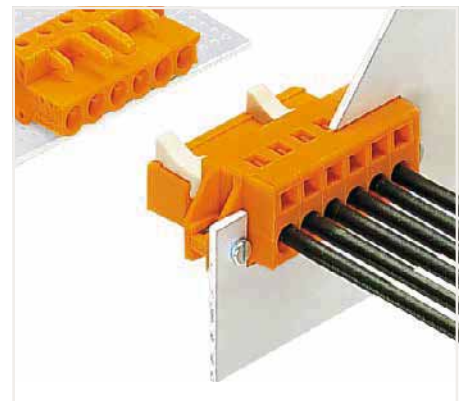
Screws with nuts,  
for 3.0 mm ± 0.1 mm Ø mounting hole

Dimensions	Item No.	PU (SPU)
M 2.5 x 10 mm	231-295	200 (100)

8



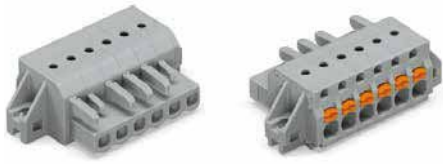
Drilled hole Ø depends on the type of screw used (see mounting screws).



PU = Packaging Unit; SPU = Subpackaging Unit; Dimensions in mm

Additional information on through-panel mounting and cutout dimensions is available upon request.

# Cutout Dimensions MCS MIDI



**Table 2:**  
Cutout for 2721 and 2231 Series Female Connectors with Mounting Flanges

Pole No.	Pin Spacing 5 mm		Pin Spacing 5.08 mm		Pin Spacing 7.5 mm		Pin Spacing 7.62 mm	
	L1	L2	L1	L2	L1	L2	L1	L2
2	13.2	18.4	13.4	18.6	15.7	20.9	15.8	21
3	18.2	23.4	18.4	23.6	23.2	28.4	23.4	28.6
4	23.2	28.4	23.5	28.7	30.7	35.9	31.1	36.3
5	28.2	33.4	28.6	33.8	38.2	43.4	38.7	43.9
6	33.4	38.3	33.9	38.8	45.9	50.8	46.5	51.4
7	38.4	43.3	39	43.9	53.4	58.3	54.1	59
8	43.4	48.3	44	48.9	60.9	65.8	61.7	66.6
9	48.4	53.3	49.1	54	68.4	73.3	69.4	74.3
10	53.4	58.3	54.2	59.1	75.9	80.8	77	81.9
11	58.4	63.3	59.3	64.2	83.4	88.3	84.6	89.5
12	63.4	68.3	64.4	69.3	90.9	95.8	92.2	97.1
13	68.6	73.2	69.6	74.2	98.6	103.2	100	104.6
14	73.6	78.2	74.7	79.3	106.1	110.7	107.7	112.3
15	78.6	83.2	79.8	84.4	113.6	118.2	115.3	119.9
16	83.6	88.2	84.9	89.5	121.1	125.7	122.9	127.5
17	88.6	93.2	90	94.6	128.6	133.2	130.5	135.1
18	93.6	98.2	95	99.6	136.1	140.7	138.1	142.7
19	98.8	103.1	100.3	104.6	143.8	148.1	146	150.3
20	103.8	108.1	105.4	109.7	151.3	155.6	153.6	157.9
21	108.8	113.1	110.5	114.8	158.8	163.1	161.2	165.5
22	113.8	118.1	115.6	119.9	166.3	170.6	168.8	173.1
23	118.8	123.1	120.6	124.9	173.8	178.1	176.4	180.7
24	123.8	128.1	125.7	130	181.3	185.6	184.1	188.4

Self-tapping screws,  
for 1.8 mm ± 0.1 mm Ø mounting hole

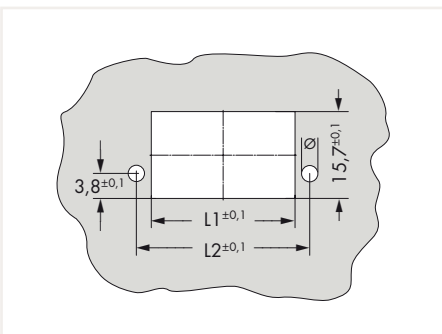
Dimensions	Item No.	PU (SPU)
B 2.2 x 9.5 mm	209-147	200 (100)
B 2.2 x 13 mm	231-194	200 (100)

Screws with nuts,  
for 2.5 mm ± 0.1 mm Ø mounting hole

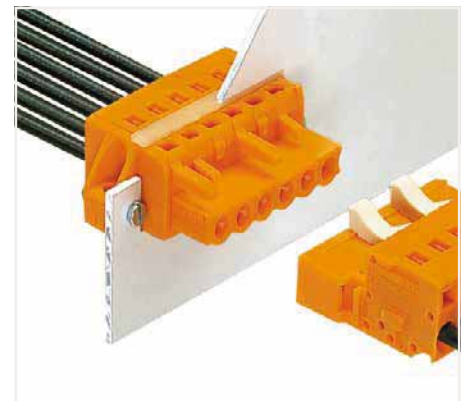
Dimensions	Item No.	PU (SPU)
M 2 x 12 mm	231-195	200 (100)

Screws with nuts,  
for 3.0 mm ± 0.1 mm Ø mounting hole

Dimensions	Item No.	PU (SPU)
M 2.5 x 10 mm	231-295	200 (100)



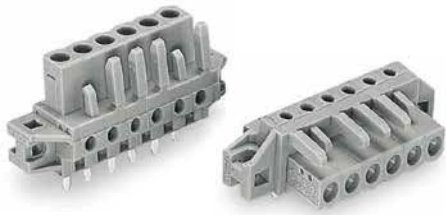
Drilled hole Ø depends on the type of screw used (see mounting screws).



PU = Packaging Unit; SPU = Subpackaging Unit; Dimensions in mm

Additional information on through-panel mounting and cutout dimensions is available upon request.

# Cutout Dimensions MCS MIDI



**Table 3:**  
Cutout for 232 and 722 Series THT Female Headers with Mounting Flanges

Pole No.	Pin Spacing 5 mm		Pin Spacing 5.08 mm		Pin Spacing 7.5 mm		Pin Spacing 7.62 mm	
	L1	L2	L1	L2	L1	L2	L1	L2
2	13.4	18.4	13.6	18.6	15.9	20.9	16	21
3	18.4	23.4	18.6	23.6	23.4	28.4	23.6	28.6
4	23.4	28.4	23.7	28.7	30.9	35.9	31.3	36.3
5	28.4	33.4	28.8	33.8	38.4	43.4	38.9	43.9
6	33.5	38.3	34	38.8	46	50.8	46.6	51.4
7	38.5	43.3	39.1	43.9	53.5	58.3	54.2	59
8	43.5	48.3	44.1	48.9	61	65.8	61.8	66.6
9	48.5	53.3	49.2	54	68.5	73.3	69.5	74.3
10	53.5	58.3	54.3	59.1	76	80.8	77.1	81.9
11	58.5	63.3	59.4	64.2	83.5	88.3	84.7	89.5
12	63.5	68.3	64.5	69.3	91	95.8	92.3	97.1
13	68.6	73.2	69.6	74.2	98.6	103.2	100	104.6
14	73.6	78.2	74.7	79.3	106.1	110.7	107.7	112.3
15	78.6	83.2	79.8	84.4	113.6	118.2	115.3	119.9
16	83.6	88.2	84.9	89.5	121.1	125.7	122.9	127.5
17	88.6	93.2	90	94.6	128.6	133.2	130.5	135.1
18	93.6	98.2	95	99.6	136.1	140.7	138.1	142.7
19	98.7	103.1	100.2	104.6	143.7	148.1	145.9	150.3
20	103.7	108.1	105.3	109.7	151.2	155.6	153.5	157.9
21	108.7	113.1	110.4	114.8	158.7	163.1	161.1	165.5
22	113.7	118.1	115.5	119.9	166.2	170.6	168.7	173.1
23	118.7	123.1	120.5	124.9	173.7	178.1	176.3	180.7
24	123.7	128.1	125.6	130	181.2	185.6	184	188.4

Self-tapping screws,  
for 1.8 mm ± 0.1 mm Ø mounting hole

Dimensions	Item No.	PU (SPU)
B 2.2 x 9,5 mm	209-147	200 (100)
B 2.2 x 13 mm	231-194	200 (100)

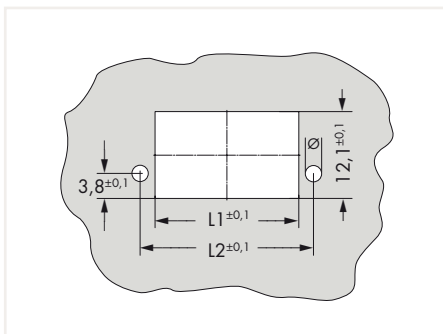
Screws with nuts,  
for 2.5 mm ± 0.1 mm Ø mounting hole

Dimensions	Item No.	PU (SPU)
M 2 x 12 mm	231-195	200 (100)

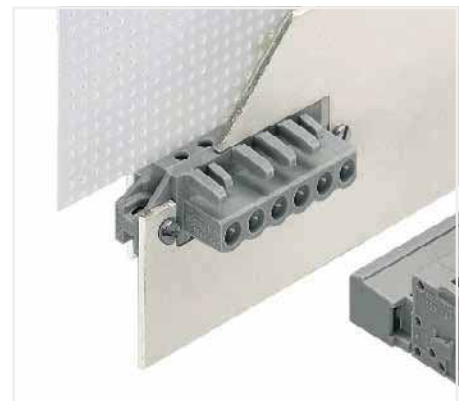
Screws with nuts,  
for 3.0 mm ± 0.1 mm Ø mounting hole

Dimensions	Item No.	PU (SPU)
M 2.5 x 10 mm	231-295	200 (100)

8



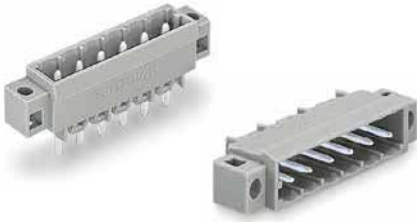
Drilled hole Ø depends on the type of screw used (see mounting screws).



PU = Packaging Unit; SPU = Subpackaging Unit; Dimensions in mm

Additional information on through-panel mounting and cutout dimensions is available upon request.

# Cutout Dimensions MCS MIDI



**Table 4:**  
Cutout for 231 Series THT Male Headers with Mounting Flanges

Pole No.	Pin Spacing 5 mm			Pin Spacing 7,5 mm		
	L1	L2	L3	L1	L2	L3
2	13.6	8.9	9.5	16.1	10.6	10.8
3	18.6	11.4	12	23.6	14.3	14.5
4	23.6	13.9	14.5	31.1	18.1	18.3
5	28.6	16.4	17	38.6	21.8	22
6	33.8	19	19.6	46.3	25.7	25.9
7	38.8	21.5	22.1	53.8	29.4	29.6
8	43.8	24	24.6	61.3	33.2	33.4
9	48.8	26.5	27.1	68.8	36.9	37.1
10	53.8	29	29.6	76.3	40.7	40.9
11	58.8	31.5	32.1	83.8	44.4	44.6
12	63.8	34	34.6	91.3	48.2	48.4
13	69	36.6	37.2	99	52	52.2
14	74	39.1	39.7	106.5	55.8	56
15	79	41.6	42.2	114	59.5	59.7
16	84	44.1	44.7	121.5	63.3	63.5
17	89	46.6	47.2	129	67	67.2
18	94	49.1	49.7	136.5	70.8	71
19	99.2	51.7	52.3	144.2	74.6	74.8
20	104.2	54.2	54.8	151.7	78.4	78.6
21	109.2	56.7	57.3	159.2	82.1	82.3
22	114.2	59.2	59.8	166.7	85.9	86.1
23	119.2	61.7	62.3	174.2	89.6	89.8
24	124.2	64.2	64.8	181.7	93.4	93.6

Self-tapping screws,  
for 1.8 mm ± 0.1 mm Ø mounting hole

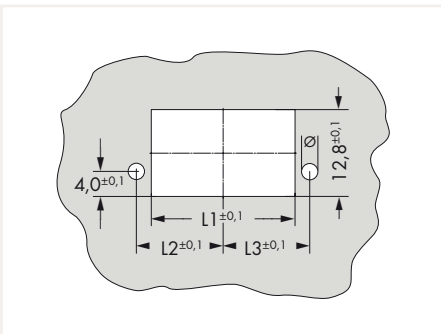
Dimensions	Item No.	PU (SPU)
B 2.2 x 9.5 mm	209-147	200 (100)
B 2.2 x 13 mm	231-194	200 (100)

Screws with nuts,  
for 2.5 mm ± 0.1 mm Ø mounting hole

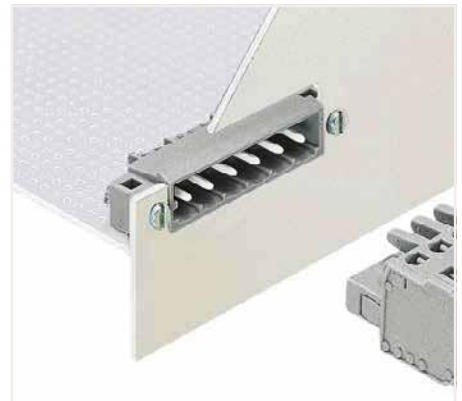
Dimensions	Item No.	PU (SPU)
M 2 x 12 mm	231-195	200 (100)

Screws with nuts,  
for 3.0 mm ± 0.1 mm Ø mounting hole

Dimensions	Item No.	PU (SPU)
M 2.5 x 10 mm	231-295	200 (100)



Drilled hole Ø depends on the type of screw used (see mounting screws).



PU = Packaging Unit; SPU = Subpackaging Unit; Dimensions in mm

Additional information on through-panel mounting and cutout dimensions is available upon request.

## Operating Tools MCS MIDI

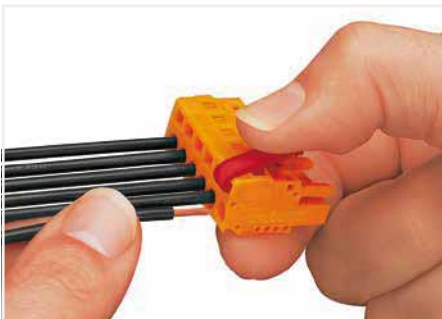


Operating lever; for male and female connectors equipped with CAGE CLAMP® connection; 5/5.08 mm and 7.5/7.62 mm pin spacing

Color	Item No.	PU (SPU)
○ natural	231-131	100 (25)
● red	231-291	100 (25)

Operating tool; for male and female connectors equipped with CAGE CLAMP® connection; 5/5.08 mm and 7.5/7.62 mm pin spacing

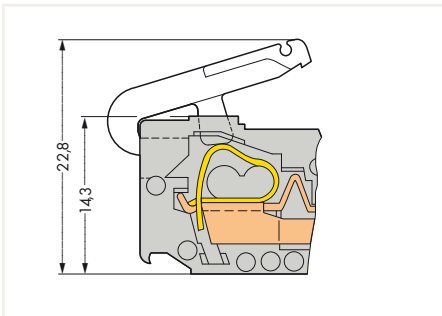
Color	Item No.	PU (SPU)
○ natural	231-159	100 (25)
● red	231-231	100 (25)



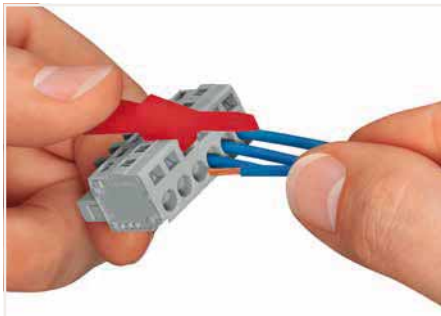
Inserting a conductor via operating lever.



Conductor termination parallel to CAGE CLAMP® actuation



Operating levers are not suitable for panel-mount, angled female connectors.



Conductor termination perpendicular to CAGE CLAMP® actuation



## Operating Tools and Test Plug Adapters

### MCS MIDI



Multipole operating tool; insulated; operation parallel to conductor entry; suitable for male and female connectors; with CAGE CLAMP®, 5/5.08 mm pin spacing

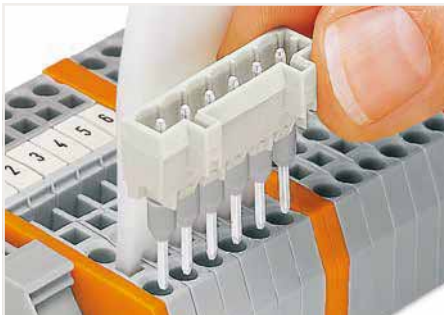
	Item No.	PU (SPU)
1-pole	209-130	100 (1)
2-pole	280-432	100 (1)
3-pole	280-433	100 (1)
4-pole	280-434	40 (1)
5-pole	280-435	40 (1)
6-pole	280-436	40 (1)
7-pole	280-437	30 (1)
8-pole	280-438	30 (1)
9-pole	280-439	30 (1)
10-pole	280-440	30 (1)

Operating tool; insulated; operation perpendicular to conductor entry; suitable for male and female connectors; with CAGE CLAMP®, 5/5.08 mm pin spacing

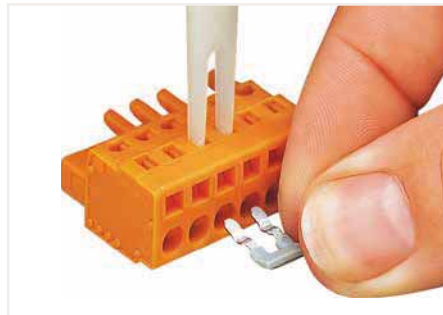
	Item No.	PU (SPU)
2-pole	209-132	40 (1)

Test plug adapter; for female connectors; light gray

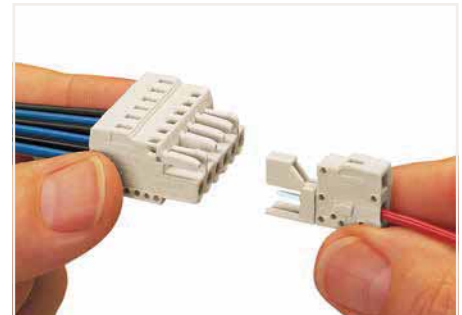
Pin Spacing	Item No.	PU
5/5.08 mm	231-661	100
7.5/7.62 mm	231-662	100



Inserting male or female connectors with long contact pins into 280 Series Rail-Mount Terminal Blocks via multipole operating tool (max. 10-pole for field assembly). Using CAGE CLAMP®-equipped male and female connectors (5/5.08 mm pin spacing), this operating tool allows up to ten CAGE CLAMP® units to be opened simultaneously, e.g., when inserting 231-90x Comb-Style Jumper Bars. Wiring male or female connectors should be performed in a suitable mount.



Operating tool for 231-90x Comb-Style Jumper Bars



Test plug adapter with CAGE CLAMP® connection

#### Electrical Data

Ratings per	IEC/EN 60664-1
Overtoltage category	III
Pollution degree	2
Rated voltage	320 V
Rated surge voltage	4 kV
Rated current	12 A

#### Connection Data

Connection technology	CAGE CLAMP®
Strip length	8 ... 9 mm / 0.33 inch
Solid conductor	0.08 ... 2.5 mm <sup>2</sup> / 28 ... 12 AWG
Fine-stranded conductor	0.08 ... 2.5 mm <sup>2</sup> / 28 ... 12 AWG

PU = Packaging Unit; SPU = Subpackaging Unit; Dimensions in mm

# Coding Keys MCS MIDI

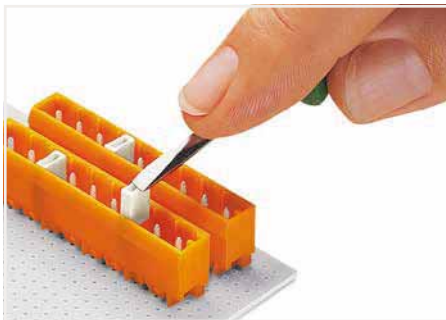


Coding key; for male headers		
Color	Item No.	PU (SPU)
○ light gray	231-500	200 (100)

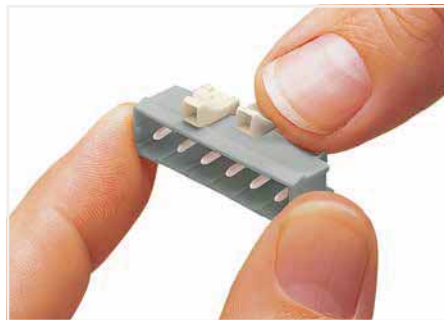
Coding key; for male headers; 5/5.08 mm pin spacing		
Color	Item No.	PU
○ light gray	231-129	100

Coding pin; for male headers for double-deck assembly; snaps into lower level		
Color	Item No.	PU
○ light gray	231-160	100

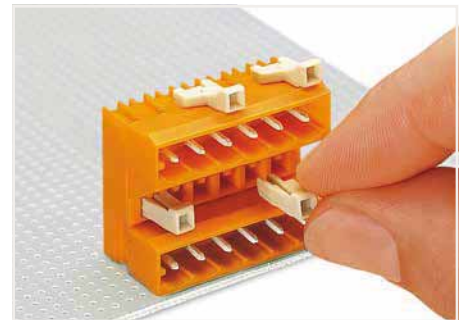
Coding key; for male headers; 7.5/7.62 mm pin spacing		
Color	Item No.	PU
○ light gray	231-130	100



Inserting separators for group formation directly into MCS MIDI Classic Male Headers. Group formation using separators means that pole count is reduced by at least one pole. Female connectors with integrated end plates and 5/5.08 mm pin spacing are available for group formation without loss of poles. Group formation without loss of poles is possible using standard female connectors (7.5/7.62 mm pin spacing) without separators.



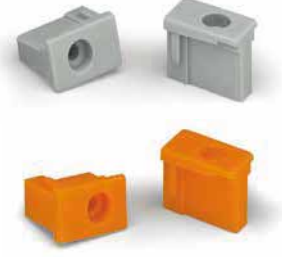
Snap-on coding key for male headers with solder pins and CAGE CLAMP®-equipped male connectors. The last pole of male and female connectors with 7.5 mm pin spacing has a width of 5 mm; for 7.62 mm pin spacing, the pole width is 5.08 mm. Always use a 231-129 Coding Key for coding this pole.



Coding a THT double-deck male header – lower level.

8

## Lockout Caps, Insulation Stops and Locking Devices MCS MIDI



Lockout caps; for male and female connectors equipped with CAGE CLAMP® connection

Color	Item No.	PU (SPU)
○ gray	231-668	500 (100)
● orange	231-669	500 (100)

Insulation stop; for male and female connectors equipped with CAGE CLAMP® or Push-in CAGE CLAMP® connection; with CAGE CLAMP®; 5/5.08 mm pin spacing

Color	Conductor Size	Item No.	PU
white	0.08 ... 0.2 mm <sup>2</sup> „e“	231-670	200
	0.08 ... 0.14 mm <sup>2</sup> „f“		
light gray	0.25 ... 0.5 mm <sup>2</sup>	231-671	200
dark gray	0.27 ... 1 mm <sup>2</sup>	231-672	200

Locking devices; for angled THT male headers with solder pins

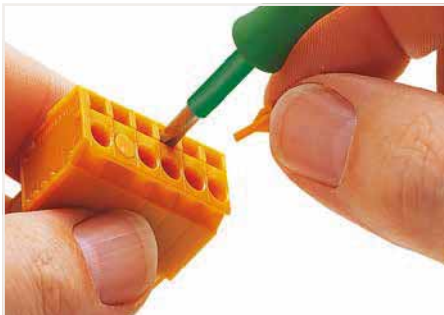
Color	Item No.	PU
○ gray	231-193	100
● orange	231-393	100

7.5/7.62 mm pin spacing

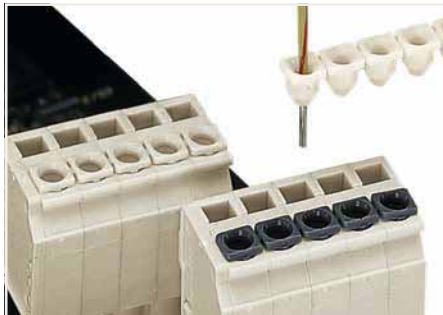
Color	Conductor Size	Item No.	PU
white	0.08 ... 0.2 mm <sup>2</sup> „e“	231-673	200
	0.08 ... 0.14 mm <sup>2</sup> „f“		
light gray	0.25 ... 0.5 mm <sup>2</sup>	231-674	200
dark gray	0.27 ... 1 mm <sup>2</sup>	231-675	200

Screws for locking devices

Type	Item No.	PU
Screw with nut		
M2 x 12 mm	231-195	100
Self-tapping screw; 1.8 mm Ø mounting hole		
B 2.2 x 13 mm	231-194	100



Sealing unnecessary clamping points in CAGE CLAMP®-equipped male and female connectors (e.g., when doubling the pin spacing to meet clearance and creepage distance requirements, or when higher rated voltage is required). Lockout pins are not suitable for panel-mount, angled female connectors.



The wiring of programmable logic controllers and micro-processor-operated control circuits often relies on very small, fine-stranded conductors. These conductors are highly flexible and deform when pushed against the conductor stop in terminal blocks. As a result, the conductor insulation – not the copper conductor – may be clamped, causing intermittent contact or no contact at all. Common to all terminal block types currently offered, this problem creates unnecessary downtime for troubleshooting.

Insulation stops for connectors reliably ensure proper termination. Insulation stops automatically bundle the cores of fine-stranded conductors when inserted into the clamping unit, preventing splaying. This also limits the conductor entry to a defined cross sectional area – ensuring the actual conductor, not the insulation, will enter the clamping unit

Insulation stops are available as dividable 5-pole strips for MCS MIDI Male and Female Connectors. Insulation stop usage will not affect the conductor strip lengths for the aforementioned connectors.

Insulation stops are not suitable for panel-mount female connectors.



Locking devices enhance connection reliability between male headers with angled solder pins and the PCB. This substantially reduces mechanical stress on both solder pins and joints, particularly when dealing with small lengths and frequent mating cycles.

## Strain relief plate, pre-assembled, for male and female connectors with CAGE CLAMP® connection, MCS MIDI

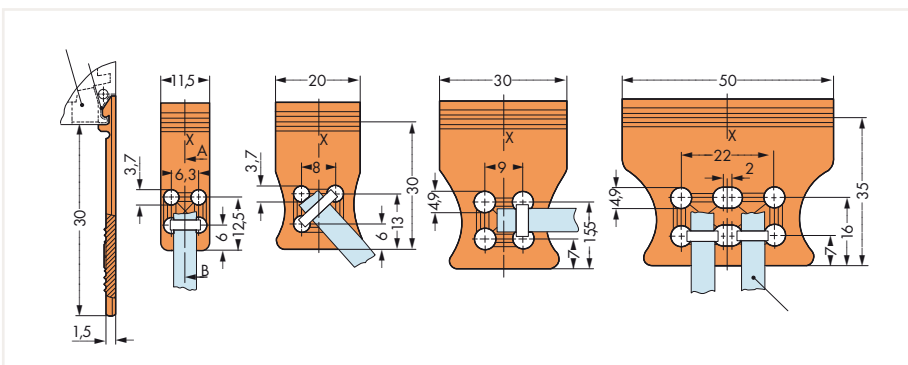


### 5/5.08 mm pin spacing; orange

Pole No.	Width	Item No. Suffix *
2 ... 3	11.5 mm	.../032-000
4 ... 5	20 mm	.../033-000
6 ... 9	30 mm	.../034-000
10 ... 24	50 mm	.../035-000

### 7.5/7.62 mm pin spacing; gray

Pole No.	Width	Item No. Suffix *
2 ... 3	11.5 mm	.../032-000
4 ... 5	20 mm	.../033-000
6 ... 9	30 mm	.../034-000
10 ... 24	50 mm	.../035-000

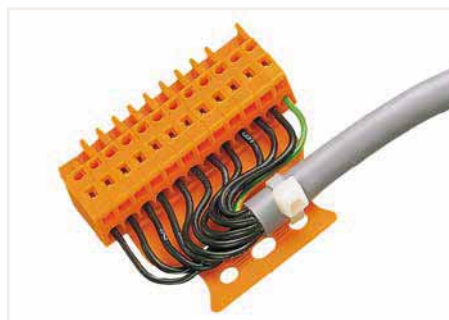


Both CAGE CLAMP®-equipped male and female connectors can be fitted with a strain relief plate. The strain relief plates must be pre-assembled (glued) prior to delivery for connector models equipped with CAGE CLAMP® connection. These strain relief plates are available in four different widths and are allocated to the specific pin spacing and pole number (as shown above). Angled female connectors for panel mounting cannot be fitted with strain relief plates.

\*An "item no. suffix," referring to the width of the strain relief plate, is added to the "basic item no.," and determines the type of male or female connector.

Cable ties and binding tools are not offered by WAGO.

The width of the cable ties must correspond to the hole dimensions of the strain relief plates shown above.



Ordering example:  
1-conductor female connector;  
with strain relief plate;  
5.08 mm pin spacing; 12-pole; orange:  
231-312/026-000/035-000



Ordering example:  
1-conductor female connector;  
with strain relief plate;  
5 mm pin spacing; 3-pole; gray:  
231-103/026-000/032-000



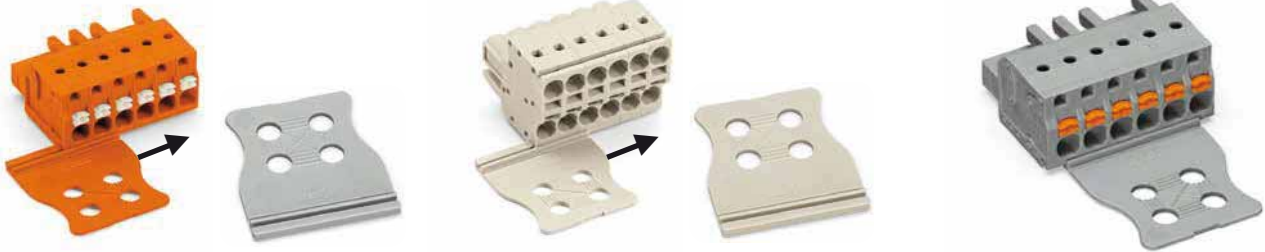
Gray strain relief plates are used for light gray 721, 722 and 723 Series Male and Female Connectors equipped with CAGE CLAMP® connection.

# Strain relief plate; for field assembly; for male and female connectors with CAGE CLAMP® and Push-in CAGE CLAMP®; for female connectors 2721, 2231 Series and 2-conductor 231, 721 Series MCS MIDI

for inserting; 5/5.08 mm pin spacing

for inserting; 7.5/7.62 mm pin spacing

factory-assembled



light gray

Pole No.	Width	Item No.	PU (SPU)
2	6 mm	734-127	100 (25)
3 ... 4	12.5 mm	734-128	100 (25)
5 ... 7	25 mm	734-129	100 (25)
8 ... 11	35 mm	734-126	100 (25)
12 ... 16	55 mm	734-426	50 (25)
17 ... 24	75 mm	734-427	50 (25)

light gray

Pole No.	Width	Item No.	PU (SPU)
2	6 mm	734-127	100 (25)
2 ... 3	12.5 mm	734-128	100 (25)
4 ... 6	25 mm	734-129	100 (25)
7 ... 9	35 mm	734-126	100 (25)
10 ... 12	55 mm	734-426	50 (25)
13 ... 16	75 mm	734-427	50 (25)

5/5.08 mm and 7.5/7.62 mm pin spacing

Pole No.	Width	Item No. Suffix *
2	6 mm	.../132-000
2 ... 3	12.5 mm	.../133-000
4 ... 6	25 mm	.../134-000
7 ... 9	35 mm	.../135-000
10 ... 12	55 mm	.../136-000
13 ... 16	75 mm	.../137-000

gray

Pole No.	Width	Item No.	PU (SPU)
2	6 mm	734-327	100 (25)
3 ... 4	12.5 mm	734-328	100 (25)
5 ... 7	25 mm	734-329	100 (25)
8 ... 11	35 mm	734-326	100 (25)
12 ... 16	55 mm	734-430	50 (25)
17 ... 24	75 mm	734-431	50 (25)

gray

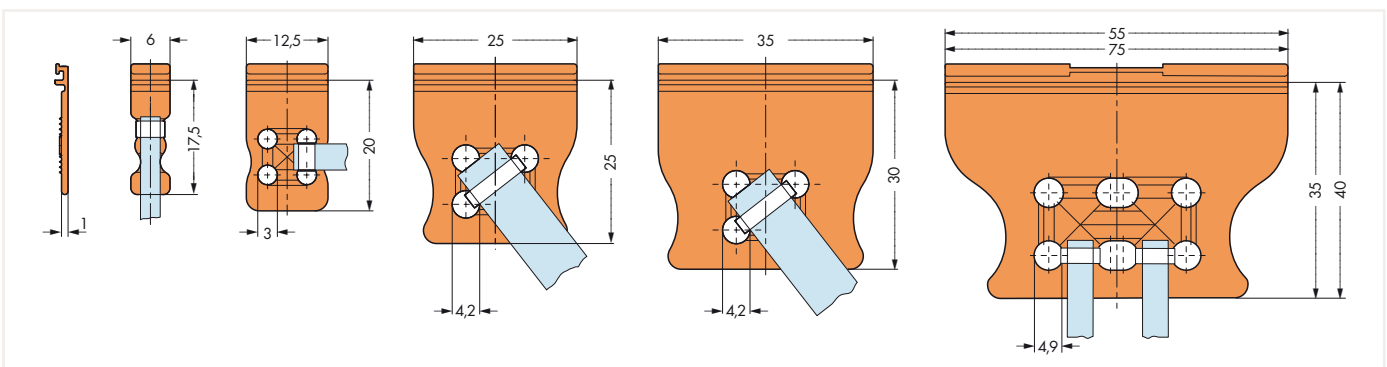
Pole No.	Width	Item No.	PU (SPU)
2	6 mm	734-327	100 (25)
2 ... 3	12.5 mm	734-328	100 (25)
4 ... 6	25 mm	734-329	100 (25)
7 ... 9	35 mm	734-326	100 (25)
10 ... 12	55 mm	734-430	50 (25)
13 ... 16	75 mm	734-431	50 (25)

orange

Pole No.	Width	Item No.	PU (SPU)
2	6 mm	734-227	100 (25)
3 ... 4	12.5 mm	734-228	100 (25)
5 ... 7	25 mm	734-229	100 (25)
8 ... 11	35 mm	734-226	100 (25)
12 ... 16	55 mm	734-428	50 (25)
17 ... 24	75 mm	734-429	50 (25)

orange

Pole No.	Width	Item No.	PU (SPU)
2	6 mm	734-227	100 (25)
2 ... 3	12.5 mm	734-228	100 (25)
4 ... 6	25 mm	734-229	100 (25)
7 ... 9	35 mm	734-226	100 (25)
10 ... 12	55 mm	734-428	50 (25)
13 ... 16	75 mm	734-429	50 (25)



Female connectors with Push-in CAGE CLAMP® can be retrofitted with a strain relief plate or pre-assembled with one at the factory. These strain relief plates are available in six different widths and are allocated to the specific pin spacing and pole number (as shown left). The arrangement of the attachments for cable ties allows single conductors or multi-core cables to be secured in different ways.

\*An "item no. suffix," referring to the width of the strain relief plate, is added to the "basic item no." and determines the type of male or female connector.

Cable ties and binding tools are not offered by WAGO. The width of the cable ties must correspond to the hole dimensions of the strain relief plates shown above.

PU = Packaging Unit; SPU = Subpackaging Unit; Dimensions in mm

# Snap-on type strain relief housing; consisting of strain relief support and housing MCS MIDI



5 mm pin spacing; gray		
Pole No.	Item No.	PU
2	232-602	25
3	232-603	25
4	232-604	25
5	232-605	25
6	232-606	25
7	232-607	25
8	232-608	25
9	232-609	25
10	232-610	25
12	232-612	25

5.08 mm pin spacing; orange		
Pole No.	Item No.	PU
2	232-632	25
3	232-633	25
4	232-634	25
5	232-635	25
6	232-636	25
7	232-637	25
8	232-638	25
9	232-639	25
10	232-640	25
12	232-642	25
16	232-646	25

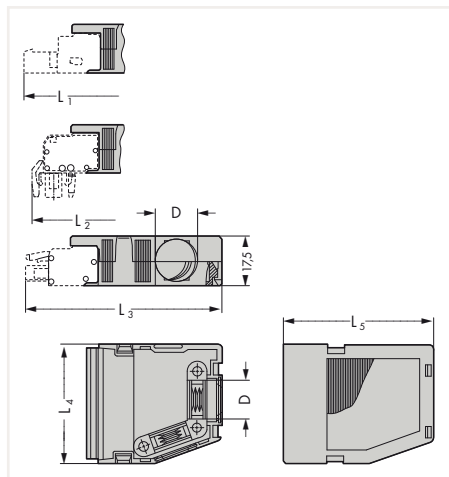
Cable clamp; for strain relief		
Pole No.	Item No.	PU
4 ... 6	209-177	25
7 ... 16	209-174	25



Mounting screws; for cable clamp		
Pole No.	Item No.	PU
4 ... 6	209-176	50
7 ... 16	209-173	50

- 2- to 3-pole; only suitable for cable ties; 1 cable outlet (rear side); max. 3.6 mm cable tie width
- 4- to 6-pole; suitable for cable clamp; 1 x cable outlet (rear side)
- 7- to 8-pole; suitable for cable clamp; 1 x cable outlet (rear side) and 1 x cable outlet (side); 1 cover (included)
- 9- to 16-pole; suitable for cable clamp; 1 x cable outlet (rear side) and 2 x cable outlets (side); 2 covers (included)

Cable ties and binding tools are not offered by WAGO.



Strain relief housing dimensions (in mm):							
Pole No.	L <sub>4</sub> (5 mm)	L <sub>4</sub> (5,08 mm)	L <sub>1</sub>	L <sub>2</sub>	L <sub>3</sub>	L <sub>5</sub>	Cable Ø (max.)
2	13	13	59	55.5	58	41.5	6
3	18	18	59	55.5	58	41.5	7.5
4	23	23	59	55.5	58	41.5	9.5
5	28	28	59	55.5	58	41.5	9.5
6	33	33	59	55.5	58	41.5	9.5
7	38	38	71.5	68	70.5	54	14
8	43	43	71.5	68	70.5	54	14
9	48	48.7	71.5	68	70.5	54	14
10	53	53.8	71.5	68	70.5	54	14
12	63	64	71.5	68	70.5	54	14
16	85	85	71.5	68	70.5	54	14



Snapping a cover into the unused cable outlet.



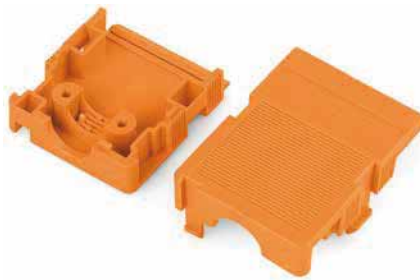
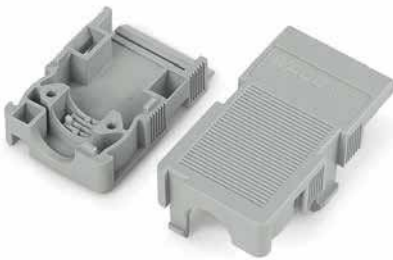
Snapping on a strain relief housing, demonstrated with a female connector with locking levers. Cable exits laterally – strain relief by cable tie (up to a width of 4 mm).



Disassembling a strain relief housing is only possible using an operating tool (e.g., 210-719).

PU = Packaging Unit; SPU = Subpackaging Unit; Dimensions in mm

# Snap-on type strain relief housing; consisting of strain relief support and housing MCS MIDI



7.5 mm pin spacing; light gray		
Pole No.	Item No.	PU
2	232-662	25
3	232-663	25
4	232-664	25
5	232-665	25
7	232-667	25
10	232-670	25

7.62 mm pin spacing; orange		
Pole No.	Item No.	PU
2	232-682	25
3	232-683	25
4	232-684	25
5	232-685	25
7	232-687	25

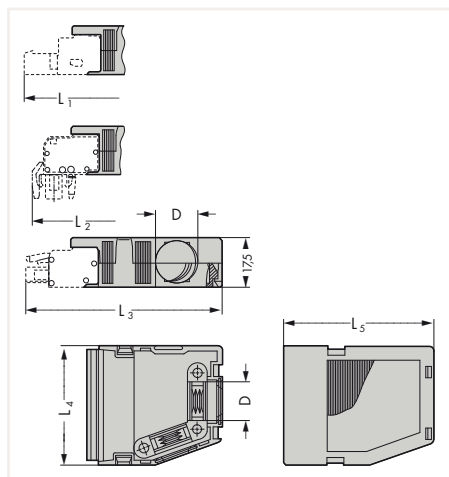
Cable clamp; for strain relief		
Pole No.	Item No.	PU
4 ... 6	209-177	25
7 ... 16	209-174	25



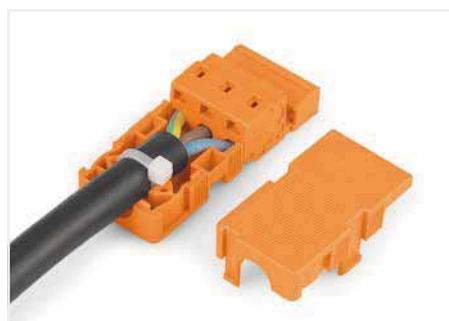
Mounting screws; for cable clamp		
Pole No.	Item No.	PU
4 ... 6	209-176	50
7 ... 16	209-173	50

2-pole; only suitable for cable ties; 1 cable outlet (rear side); max. cable tie width 3.6 mm;  
 3- to 4-pole; suitable for cable clamp; 1 x cable outlet (rear side);  
 5-pole; suitable for cable clamp; 1 x cable outlet (rear side) and 1 x cable outlets (side); 1 cover (included);  
 7-pole; suitable for cable clamp; 1 x cable outlet (rear side) and 2 x cable outlets (side); 2 covers (included)

Cable ties and binding tools are not offered by WAGO.



Strain relief housing dimensions (in mm):							
Pole No.	L <sub>4</sub> (5 mm)	L <sub>4</sub> (5,08 mm)	L <sub>1</sub>	L <sub>2</sub>	L <sub>3</sub>	L <sub>5</sub>	Cable Ø (max.)
2	15.5	15.5	59	55.5	58	41.5	6
3	23	23	59	55.5	58	41.5	9.5
4	30.5	30.5	59	55.5	58	41.5	9.5
5	38	38	71.5	68	70.5	54	14
7	53	53.8	71.5	68	70.5	54	14



3-pole female connector with strain relief housing



4-pole male connector with strain relief housing



Gray strain relief plates are used for light gray 721, 722 and 723 Series Male and Female Connectors equipped with CAGE CLAMP® connection.

PU = Packaging Unit; SPU = Subpackaging Unit; Dimensions in mm

# Mounting Adapters MCS MIDI



Mounting adapter for DIN-35 rail, for male and female connectors with snap-in mounting feet

Color	Item No.	PU
○ gray	209-137	25

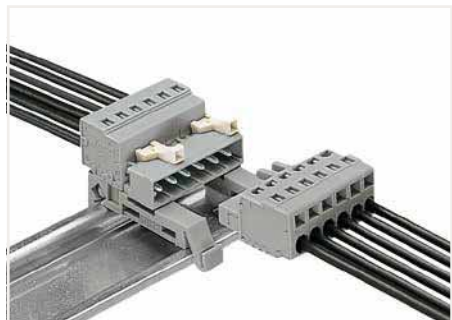
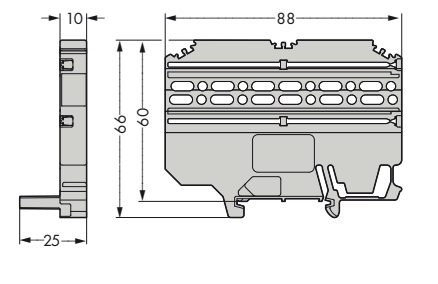
Multi mounting adapter, for DIN-35 rail, for male and female connectors with snap-in mounting feet

Color	Item No.	PU
○ gray	209-148	25

Mounting adapter, for DIN-35 rail, for angled female connectors with snap-in feet for panel mounting

Color	Item No.	PU (SPU)
○ gray	209-120	500(25)

Dimensions (in mm):



Female connector with snap-in mounting feet and 209-189 Mounting Adapter on DIN-35 rail



8



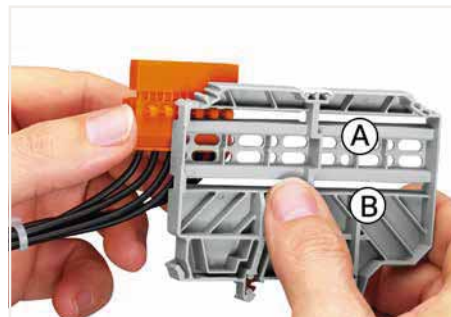
Multi mounting adapter (209-120) on DIN-35 rail and angled female connector with snap-in feet for panel mounting



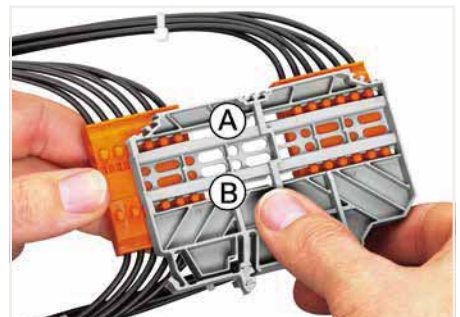
The pluggable male or female connector can also be fitted with a strain relief plate.



The adapter can be marked either with WSB, Mini-WSB or WMB markers.



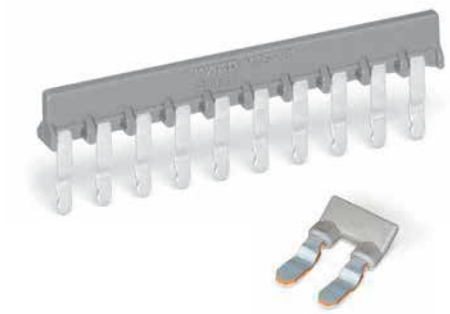
Both male and female connectors remain pluggable when they are mounted on the multi mounting adapter via its oblong holes or open grooves (A/B).



If a connector is pushed from the side into the open grooves (A/B) of the multi mounting adapter, the plug connection will be reliably protected from unintentional disconnection when mounted.



# Comb-Style Jumper Bars MCS MIDI



Comb-style jumper bar, for male and female connectors with CAGE CLAMP®, with CAGE CLAMP®, 5/5.08 mm pin spacing

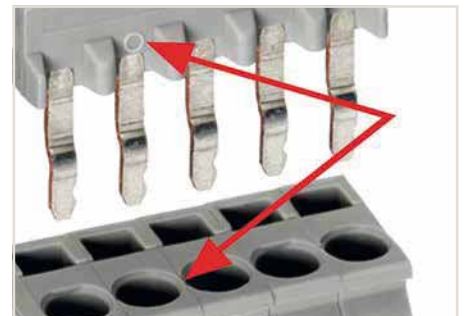
	Item No.	PU (SPU)
2-pole	231-902	200 (25)
3-pole	231-903	200 (25)
5-pole	231-905	100 (25)
7-pole	231-907	100 (25)
10-pole	231-910	100 (25)

Notice:  
Not suitable for female connectors equipped with Push-in CAGE CLAMP® connection and angled, panel-mount female connectors.

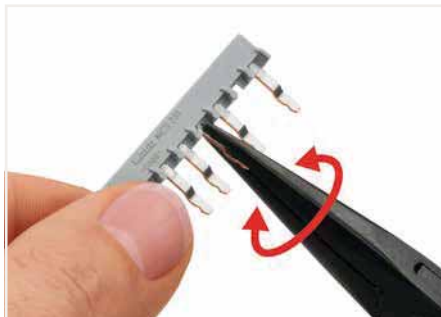
Comb-style jumper bar reduces maximum conductor cross-section to 1.5 mm<sup>2</sup>.



Notice:  
Insert jumper bar according to direction of symbols.  
□ symbol correlates to the direction of the operating slot.



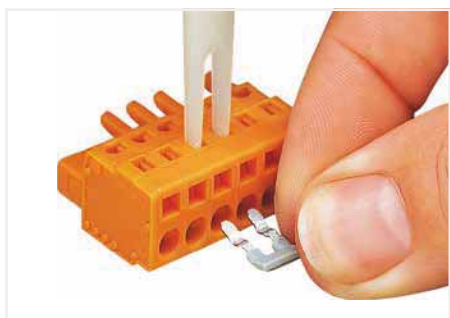
Notice:  
Insert jumper bar according to direction of symbols.  
○ symbol correlates to the direction of the conductor entry.



Custom comb-style jumper bars are created by breaking off jumper contacts (3 contacts and more).



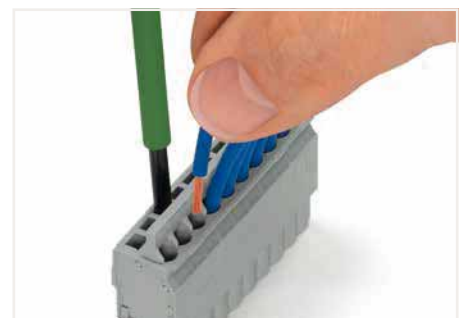
Inserting a comb-style jumper bar via multipole operating tool – with the female or male connector being supported in a suitable holding device.



Commoning a female connector with 231-902 Comb-Style Jumper Bar via 2-pole operating tool.



Both male and female connectors can be pre-assembled with comb-style jumper bars upon request.



Notice: Comb-style jumper bars reduce the conductor cross-section to 1.5 mm<sup>2</sup> "s" + "f-st."











8



# **WAGO *MULTI CONNECTION SYSTEM*** **MIDI Classic**

# WAGO MULTI CONNECTION SYSTEM MIDI Classic

## Pin Spacing: 5/5.08 mm, 7.5/7.62 mm ▶ 2.5 mm<sup>2</sup>

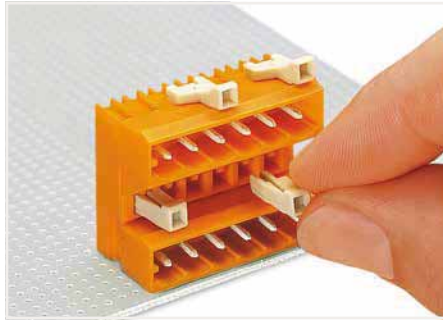
		Nominal Cross-Section	Page
	MCS MIDI Classic 1-Conductor Female Connectors ▶ Actuation type: Operating tool ▶ CAGE CLAMP®	5 mm	548
		5.08 mm	602
		7.5 mm	640
		7.62 mm	684
	MCS MIDI Classic 2-Conductor Female Connectors ▶ Actuation type: Operating tool ▶ Push-in CAGE CLAMP®	5 mm	558
		5.08 mm	610
		7.5 mm	650
		7.62 mm	690
	MCS MIDI Classic 1-Conductor Female Connectors ▶ Actuation type: Push-button ▶ Push-in CAGE CLAMP®	5 mm	560
		5.08 mm	454
		7.5 mm	652
		7.62 mm	692
	MCS MIDI Classic 1-Conductor Male Connectors ▶ Actuation type: Operating tool ▶ CAGE CLAMP®	5 mm	564
		5.08 mm	618
		7.5 mm	656
		7.62 mm	696
	MCS MIDI Classic THT Female Headers	5 mm	568
		5.08 mm	622
		7.5 mm	660
		7.62 mm	700
	MCS MIDI Classic THT Male Headers	5 mm	574
		5.08 mm	628
		7.5 mm	666
		7.62 mm	706
	MCS MIDI THR Male Headers	5 mm	586
		7.5 mm	674
	MCS MIDI Classic Female Connectors for Rail-Mount Terminal Blocks Male Connectors for Rail-Mount Terminal Blocks	5 mm	596
		5 mm	600
	MCS MIDI Accessories Accessories and Tools		720
			829
	Application Examples		730

# MCS MIDI Classic

## Description and Installation



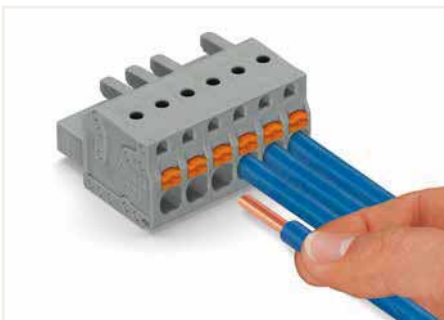
Coding a male header – fitting coding key(s).



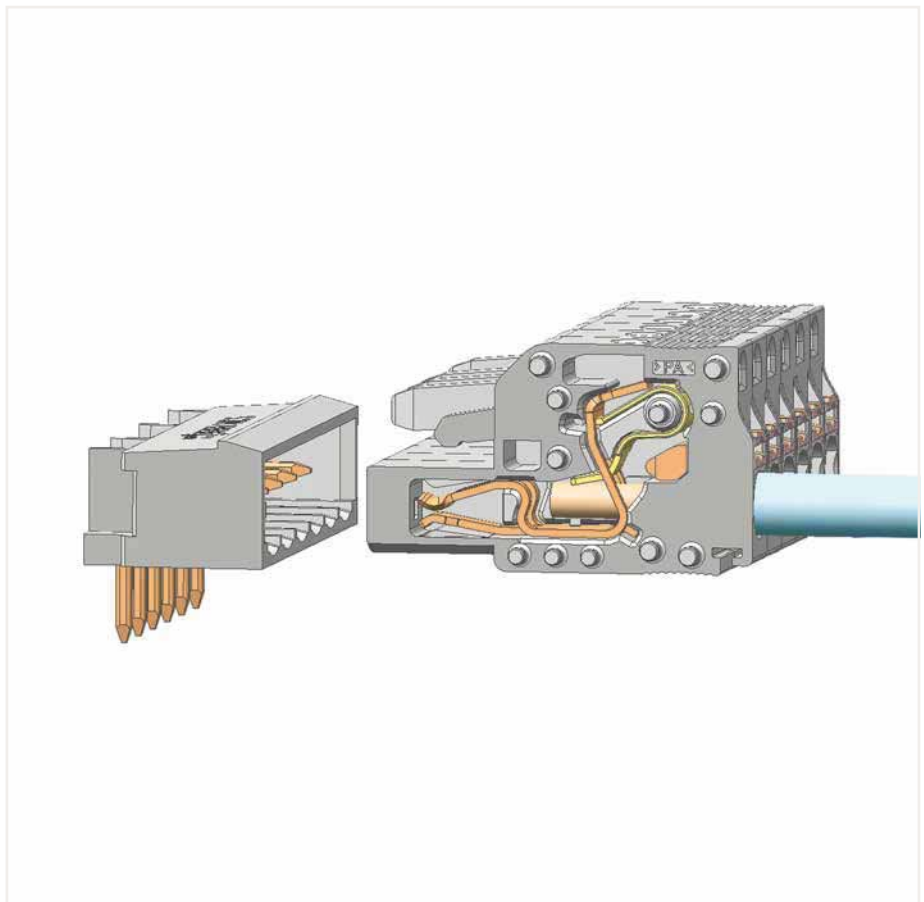
Coding a lower male header – inserting coding key(s).



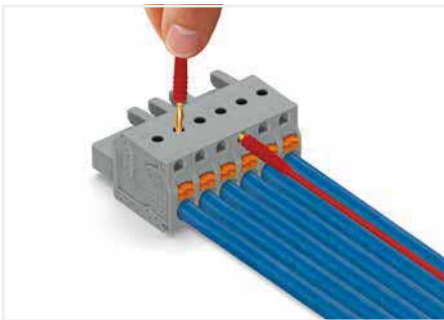
Coding a female connector – removing coding finger(s).



Push-in termination of solid conductors or fine-stranded conductors with ferrule



Pin spacing: 5/5.08 mm and 7.5/7.62 mm, Push-in CAGE CLAMP®



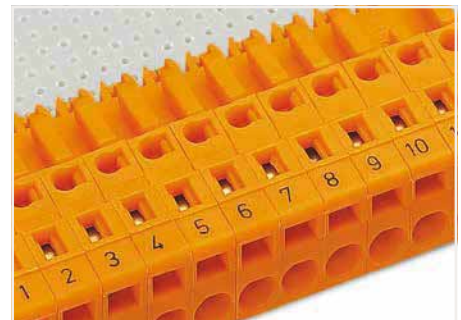
Testing parallel to conductor entry via integrated test ports – female connector with push-buttons and Push-in CAGE CLAMP® connection – touch contact perpendicular to conductor entry.



Inserting fine-stranded conductors into Push-in CAGE CLAMP® unit via push-buttons.



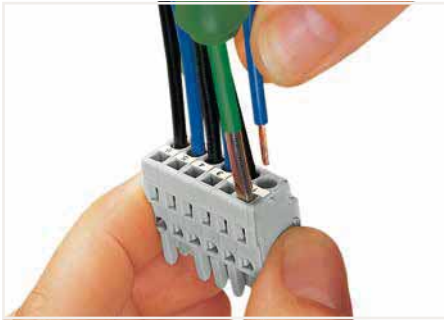
THR male headers in tape-and-reel packaging for SMT applications



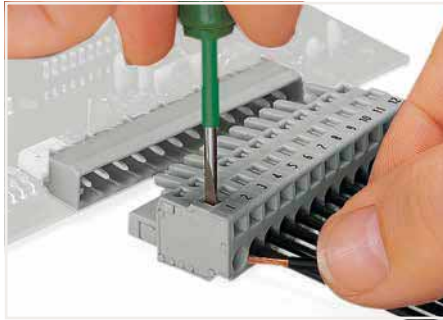
Labeling via direct marking or self-adhesive strips.

# MCS MIDI Classic

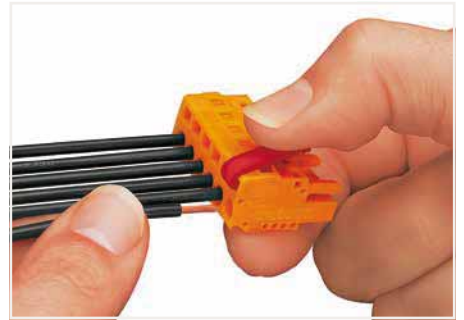
## Description and Installation



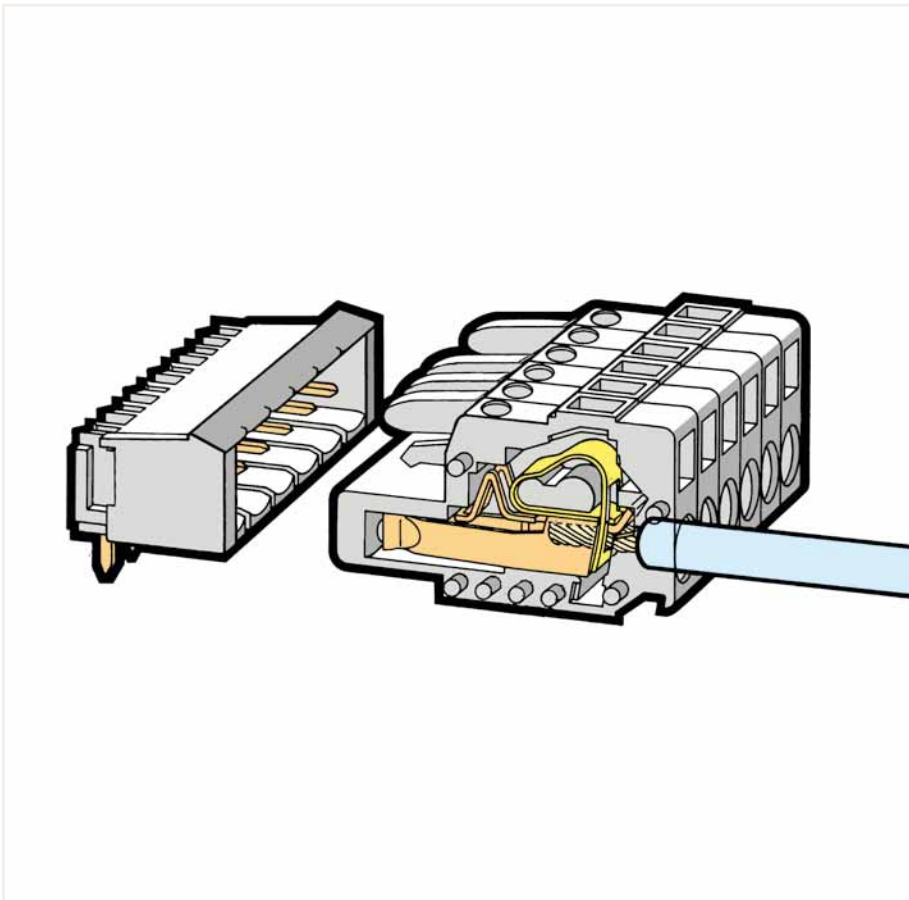
Inserting a conductor via 3.5 mm screwdriver – CAGE CLAMP® actuation parallel to conductor entry.



Inserting a conductor via 3.5 mm screwdriver – CAGE CLAMP® actuation perpendicular to conductor entry.



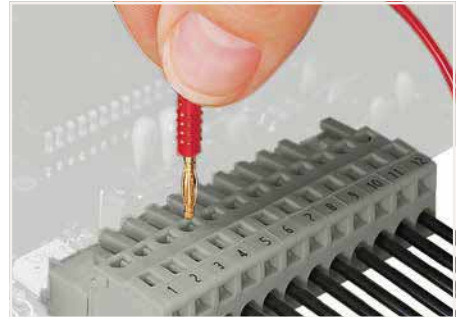
Inserting a conductor into CAGE CLAMP® unit via operating lever (231-291).



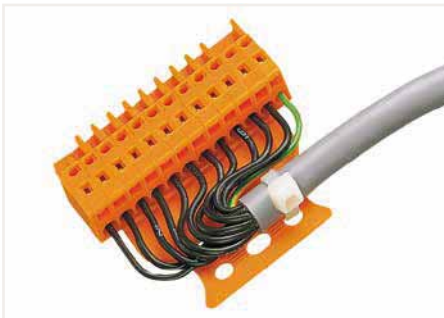
Pin spacing: 5/5.08 mm and 7.5/7.62 mm, CAGE CLAMP®



Inserting a conductor into CAGE CLAMP® unit via operating tool (210-250).



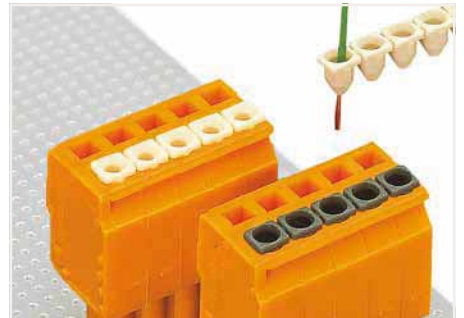
Testing perpendicular to conductor entry via 2 or 2.3 mm Ø test plug – female connector with CAGE CLAMP®.



Male connector with strain relief plate



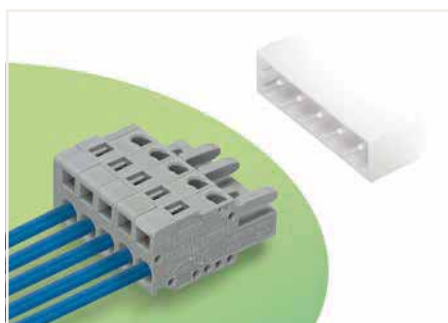
Strain relief housing shown with a male connector equipped with CAGE CLAMP®



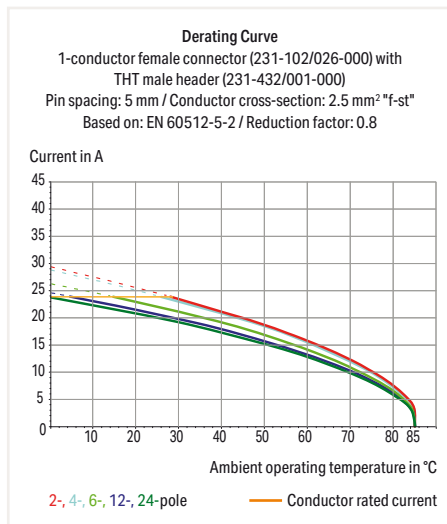
Insulation stop – prevents conductor insulation from being inserted into CAGE CLAMP® and Push-in CAGE CLAMP® units.

## 1-Conductor Female Connector ▶ MCS MIDI Classic ▶ 231 Series

Pin spacing: 5 mm (0.197 inch) ▶ Actuation type: Operating tool ▶ CAGE CLAMP® ▶ Conductor entry direction to mating direction: 0° ▶ Color: gray



- Universal connection for all conductor types
- Easy cable pre-assembly and on-unit wiring via vertical and horizontal CAGE CLAMP® actuation
- Integrated test ports
- With coding fingers



### Electrical Data

Ratings per	IEC/EN 60664-1		
Overvoltage category	III	III	II
Pollution degree	3	2	2
Rated voltage	320 V	320 V	630 V
Rated impulse voltage	4 kV	4 kV	4 kV
Rated current	16 A	16 A	16 A
Approvals per	UL 1059		
Use Group	B	C	D
Rated voltage	300 V	-	300 V
Rated current	15 A	-	10 A
Approvals per	UL 1977		
Rated voltage	600 V		
Rated current	-		
Approvals per	CSA		
Use Group	B	C	D
Rated voltage	300 V	-	300 V
Rated current	15 A	-	10 A

### Connection Data

Connection technology	CAGE CLAMP®
Strip length	8 ... 9 mm / 0.31 ... 0.35 inch
Solid conductor	0.08 ... 2.5 mm <sup>2</sup> / 28 ... 12 AWG
Fine-stranded conductor	0.08 ... 2.5 mm <sup>2</sup> / 28 ... 12 AWG
Fine-stranded conductor with ferrule with plastic collar	0.25 ... 1.5 mm <sup>2</sup>
Fine-stranded conductor with ferrule without plastic collar	0.25 ... 2.5 mm <sup>2</sup>

### Material Data

Material group	I
Insulating material	Polyamide 66 (PA 66)
Flammability class per UL94	V0
Clamping spring material	Chrome nickel spring steel (CrNi)
Contact material	Copper alloy
Contact plating	Tin-plated

### Environmental Requirements

Limit temperature range	-60 ... +85 °C
-------------------------	----------------

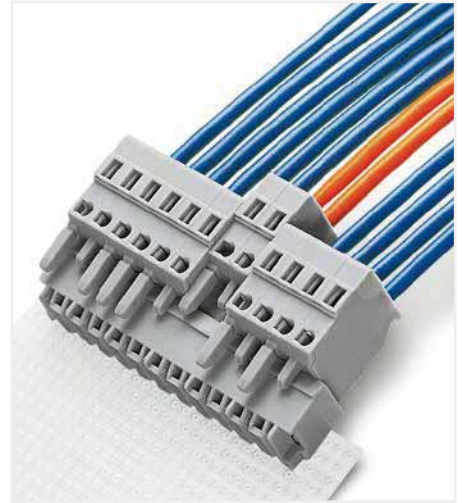
The *MULTI CONNECTION SYSTEM (MCS)* is designed without breaking capacity for compliance with DIN EN 61984. When used as intended, MCS Connectors shall not be connected/disconnected when live or under load. The circuit design should ensure header pins, which can be touched, are not live when unmated.

Ferrule	Page 847
General accessory	Page 723
Insulation stop	Page 723
Jumper	Page 729
Marking	Page 833
Mounting	Page 723, 837
Mounting adapter	Page 729
Strain relief	Page 726
Testing and measuring	Page 721, 854
Tools	Page 720, 838
Direct marking	Page 712
Cutout dimensions	Page 716
Additional information, see "Technical Section"	
Approvals and corresponding ratings, visit <a href="http://www.wago.com">www.wago.com</a>	

### 1-Conductor Female Connector ▶ MCS MIDI Classic ▶ 231 Series

Pin spacing: 5 mm (0.197 inch) ▶ Actuation type: Operating tool ▶ CAGE CLAMP® ▶ Conductor entry direction to mating direction: 0° ▶ Color: gray

Plugging without loss of pin spacing



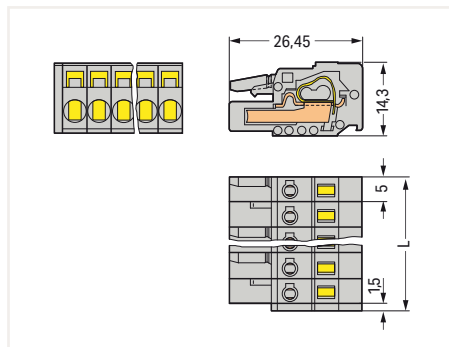
Total pole number for female connectors = pole number for male header

Pole No.	Item No.	PU	Pole No.	Item No.	PU
2	231-102/026-000	100	2	231-102/102-000	100
3	231-103/026-000	100	3	231-103/102-000	100
4	231-104/026-000	100	4	231-104/102-000	100
5	231-105/026-000	100	5	231-105/102-000	100
6	231-106/026-000	50	6	231-106/102-000	50
7	231-107/026-000	50	7	231-107/102-000	50
8	231-108/026-000	50	8	231-108/102-000	50
9	231-109/026-000	50	9	231-109/102-000	50
10	231-110/026-000	50	10	231-110/102-000	50
11	231-111/026-000	25	11	231-111/102-000	25
12	231-112/026-000	25	12	231-112/102-000	25
13	231-113/026-000	25	13	231-113/102-000	25
14	231-114/026-000	25	14	231-114/102-000	25
15	231-115/026-000	25	15	231-115/102-000	25
16	231-116/026-000	25	16	231-116/102-000	25
17	231-117/026-000	25	17	231-117/102-000	25
18	231-118/026-000	25	18	231-118/102-000	25
19	231-119/026-000	10	19	231-119/102-000	10
20	231-120/026-000	10	20	231-120/102-000	10
21	231-121/026-000	10	21	231-121/102-000	10
22	231-122/026-000	10	22	231-122/102-000	10
23	231-123/026-000	10	23	231-123/102-000	10
24	231-124/026-000	10	24	231-124/102-000	10

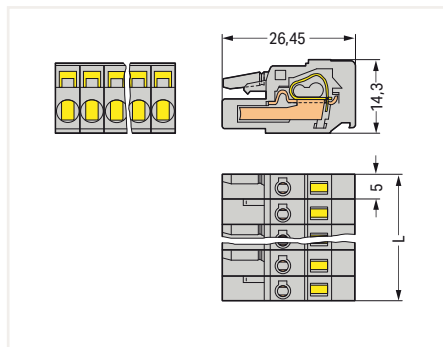


Female connectors with a built-in end plate require no extra space, while maintaining the nominal cross-section. This means: Total length of female connectors is reduced to „pole no. x pin spacing“!

9



L = (pole no. x pin spacing) + 1.5 mm  
2- to 3-pole female connectors – one latch only



L = pole no. x pin spacing  
2- to 3-pole female connectors – one latch only

PU = Packaging Unit; SPU = Subpackaging Unit; Dimensions in mm

Other variants can be requested via the WAGO sales department or, if necessary, configured at <https://configurator.wago.com/>:

- Gold-plated or partially gold-plated contact surfaces

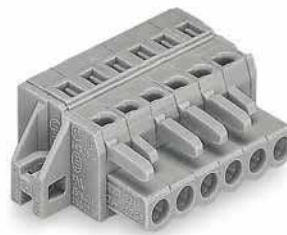
# 1-Conductor Female Connector ▶ MCS MIDI Classic ▶ 231 Series

Pin spacing: 5 mm (0.197 inch) ▶ Actuation type: Operating tool ▶ CAGE CLAMP® ▶ Conductor entry direction to mating direction: 0° ▶ Color: gray

Locking of plug-in connection: locking lever

Type of mounting: Feed-through mounting, Panel mounting ▶ Mounting type: Mounting flange

Type of mounting: Feed-through mounting, Panel mounting ▶ Mounting type: Mounting flange ▶ with reinforcing strip

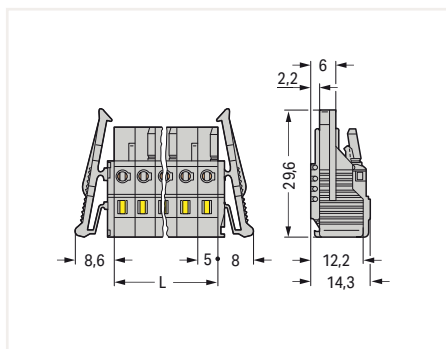


Pole No.	Item No.	PU
2	231-102/037-000	100
3	231-103/037-000	50
4	231-104/037-000	50
5	231-105/037-000	50
6	231-106/037-000	50
7	231-107/037-000	50
8	231-108/037-000	25
9	231-109/037-000	25
10	231-110/037-000	25
11	231-111/037-000	25
12	231-112/037-000	25
13	231-113/037-000	25
14	231-114/037-000	25
15	231-115/037-000	25
16	231-116/037-000	10
17	231-117/037-000	10
18	231-118/037-000	10
19	231-119/037-000	10
20	231-120/037-000	10
21	231-121/037-000	10
22	231-122/037-000	10
23	231-123/037-000	10
24	231-124/037-000	10

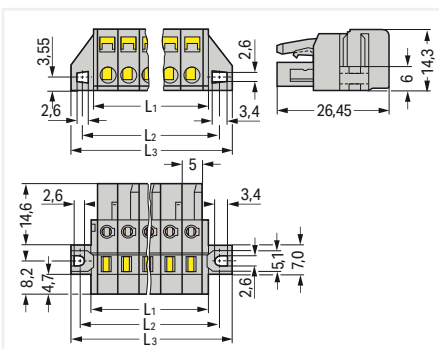
Pole No.	Item No.	PU
2	231-102/031-000	100
3	231-103/031-000	50
4	231-104/031-000	50
5	231-105/031-000	50
6	231-106/031-000	50
7	231-107/031-000	50
8	231-108/031-000	50
9	231-109/031-000	25
10	231-110/031-000	25
11	231-111/031-000	25
12	231-112/031-000	25
13	231-113/031-000	25
14	231-114/031-000	25
15	231-115/031-000	25
16	231-116/031-000	10
17	231-117/031-000	10
18	231-118/031-000	10
19	231-119/031-000	10
20	231-120/031-000	10
21	231-121/031-000	10
22	231-122/031-000	10
23	231-123/031-000	10
24	231-124/031-000	10

Pole No.	Item No.	PU
6	231-106/027-000	50
7	231-107/027-000	50
8	231-108/027-000	50
10	231-110/027-000	25
11	231-111/027-000	25
12	231-112/027-000	25
13	231-113/027-000	25
14	231-114/027-000	25
15	231-115/027-000	25
16	231-116/027-000	10
17	231-117/027-000	10
18	231-118/027-000	10
19	231-119/027-000	10
20	231-120/027-000	10
21	231-121/027-000	10
22	231-122/027-000	10
23	231-123/027-000	10
24	231-124/027-000	10

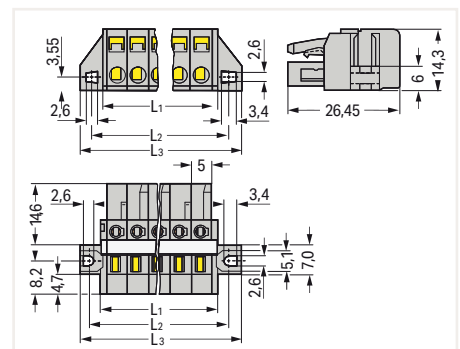
9



L = pole no. x pin spacing  
2- to 3-pole female connectors – one latch only



L<sub>1</sub> = (pole no. x pin spacing) + 3 mm  
L<sub>2</sub> = (pole no. x pin spacing) + 8.8 mm  
L<sub>3</sub> = (pole no. x pin spacing) + 14.8 mm  
2- to 3-pole female connectors – one latch only



L<sub>1</sub> = (pole no. x pin spacing) + 3 mm  
L<sub>2</sub> = (pole no. x pin spacing) + 8.8 mm  
L<sub>3</sub> = (pole no. x pin spacing) + 14.8 mm  
2- to 3-pole female connectors – one latch only

PU = Packaging Unit; SPU = Subpackaging Unit; Dimensions in mm

Other variants can be requested via the WAGO sales department or, if necessary, configured at <https://configurator.wago.com/>:

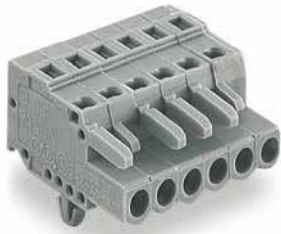
- Gold-plated or partially gold-plated contact surfaces



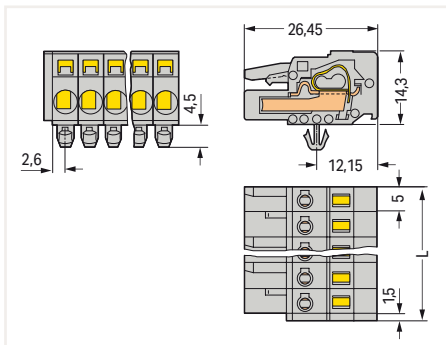
## 1-Conductor Female Connector ▶ MCS MIDI Classic ▶ 231 Series

Pin spacing: 5 mm (0.197 inch) ▶ Actuation type: Operating tool ▶ CAGE CLAMP® ▶ Conductor entry direction to mating direction: 0° ▶ Color: gray

Type of mounting: Panel mounting ▶ Mounting type:  
Snap-in mounting foot



Pole No.	Item No.	PU
2	231-102/008-000	100
3	231-103/008-000	100
4	231-104/008-000	100
5	231-105/008-000	100
6	231-106/008-000	50
7	231-107/008-000	25
8	231-108/008-000	50
9	231-109/008-000	50
10	231-110/008-000	50
11	231-111/008-000	25
12	231-112/008-000	25
13	231-113/008-000	25
14	231-114/008-000	25
15	231-115/008-000	25
16	231-116/008-000	25
17	231-117/008-000	25
18	231-118/008-000	25
19	231-119/008-000	10
20	231-120/008-000	10
21	231-121/008-000	10
22	231-122/008-000	10
23	231-123/008-000	10
24	231-124/008-000	10



$L = (\text{pole no.} \times \text{pin spacing}) + 1.5 \text{ mm}$

2- to 3-pole female connectors – one latch only

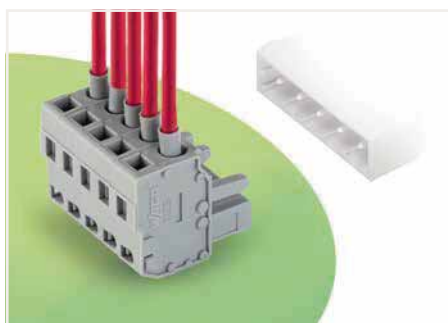
PU = Packaging Unit; SPU = Subpackaging Unit; Dimensions in mm

Other variants can be requested via the WAGO sales department or, if necessary, configured at <https://configurator.wago.com/>:

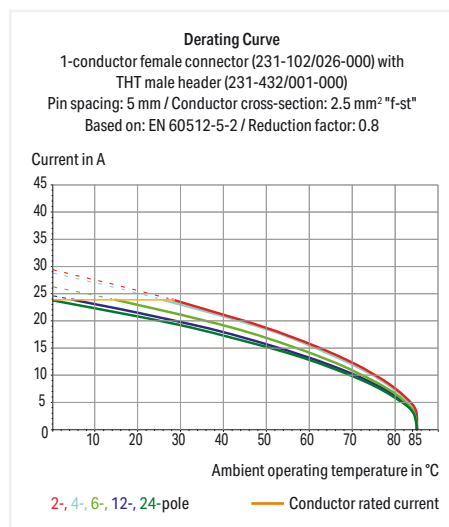
- Gold-plated or partially gold-plated contact surfaces

## 1-Conductor Female Connector ▶ MCS MIDI Classic ▶ 232 Series

Pin spacing: 5 mm (0.197 inch) ▶ Actuation type: Operating tool ▶ CAGE CLAMP® ▶ Color: gray



- Universal connection for all conductor types
- Easy cable pre-assembly and on-unit wiring via vertical and horizontal CAGE CLAMP® actuation
- Integrated test ports
- With coding fingers



### Electrical Data

Ratings per	IEC/EN 60664-1		
Overvoltage category	III	III	II
Pollution degree	3	2	2
Rated voltage	320 V	320 V	630 V
Rated impulse voltage	4 kV	4 kV	4 kV
Rated current	14 A	14 A	14 A
Approvals per	UL 1059		
Use Group	B	C	D
Rated voltage	300 V	-	300 V
Rated current	15 A	-	10 A
Approvals per	UL 1977		
Rated voltage	600 V		
Rated current	-		
Approvals per	CSA		
Use Group	B	C	D
Rated voltage	300 V	-	300 V
Rated current	15 A	-	10 A

### Connection Data

Connection technology	CAGE CLAMP®
Strip length	8 ... 9 mm / 0.31 ... 0.35 inch
Solid conductor	0.08 ... 2.5 mm <sup>2</sup> / 28 ... 12 AWG
Fine-stranded conductor	0.08 ... 2.5 mm <sup>2</sup> / 28 ... 12 AWG
Fine-stranded conductor with ferrule with plastic collar	0.25 ... 1.5 mm <sup>2</sup>
Fine-stranded conductor with ferrule without plastic collar	0.25 ... 2.5 mm <sup>2</sup>

### Material Data

Material group	I
Insulating material	Polyamide 66 (PA 66)
Flammability class per UL94	V0
Clamping spring material	Chrome nickel spring steel (CrNi)
Contact material	Copper alloy
Contact plating	Tin-plated

### Environmental Requirements

Limit temperature range	-60 ... +100 °C
-------------------------	-----------------

The *MULTI CONNECTION SYSTEM (MCS)* is designed without breaking capacity for compliance with DIN EN 61984. When used as intended, MCS Connectors shall not be connected/disconnected when live or under load. The circuit design should ensure header pins, which can be touched, are not live when unmated.

Ferrule	Page 847
General accessory	Page 723
Insulation stop	Page 723
Jumper	Page 729
Marking	Page 833
Strain relief	Page 726
Testing and measuring	Page 721, 854
Tools	Page 720
Direct marking	Page 712
Additional information, see "Technical Section"	
Approvals and corresponding ratings, visit <a href="http://www.wago.com">www.wago.com</a>	

# 1-Conductor Female Connector ▶ MCS MIDI Classic ▶ 232 Series

Pin spacing: 5 mm (0.197 inch) ▶ Actuation type: Operating tool ▶ CAGE CLAMP® ▶ Color: gray

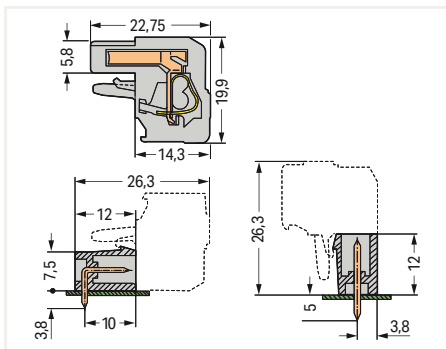
Conductor entry direction to mating direction: 90°

Conductor entry direction to mating direction: 270°

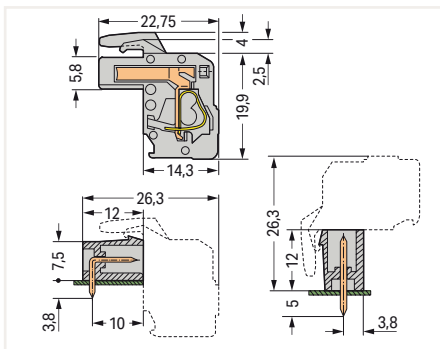


Pole No.	Item No.	PU
2	232-202/026-000	100
3	232-203/026-000	100
4	232-204/026-000	100
5	232-205/026-000	100
6	232-206/026-000	50
7	232-207/026-000	50
8	232-208/026-000	50
9	232-209/026-000	50
10	232-210/026-000	50
11	232-211/026-000	25
12	232-212/026-000	25
13	232-213/026-000	25
14	232-214/026-000	25
15	232-215/026-000	25
16	232-216/026-000	25
17	232-217/026-000	25
18	232-218/026-000	25
19	232-219/026-000	10
20	232-220/026-000	10
21	232-221/026-000	10
22	232-222/026-000	10
23	232-223/026-000	10
24	232-224/026-000	10

Pole No.	Item No.	PU
2	232-102/026-000	100
3	232-103/026-000	100
4	232-104/026-000	100
5	232-105/026-000	100
6	232-106/026-000	50
7	232-107/026-000	50
8	232-108/026-000	50
9	232-109/026-000	50
10	232-110/026-000	50
11	232-111/026-000	25
12	232-112/026-000	25
13	232-113/026-000	25
14	232-114/026-000	25
15	232-115/026-000	25
16	232-116/026-000	25
17	232-117/026-000	25
18	232-118/026-000	25
19	232-119/026-000	10
20	232-120/026-000	10
21	232-121/026-000	10
22	232-122/026-000	10
23	232-123/026-000	10
24	232-124/026-000	10



$L = (\text{pole no.} \times \text{pin spacing}) + 1.5 \text{ mm} + 0.9 \text{ mm}$   
2- to 3-pole female connectors – one latch only



$L = (\text{pole no.} \times \text{pin spacing}) + 1.5 \text{ mm} + 0.9 \text{ mm}$   
2- to 3-pole female connectors – one latch only

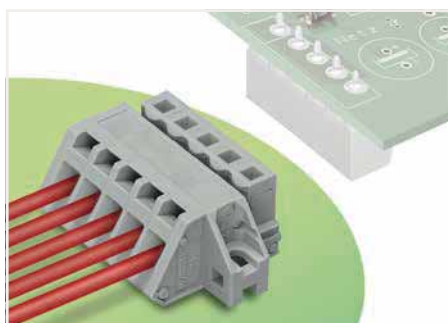
PU = Packaging Unit; SPU = Subpackaging Unit; Dimensions in mm

Other variants can be requested via the WAGO sales department or, if necessary, configured at <https://configurator.wago.com/>:

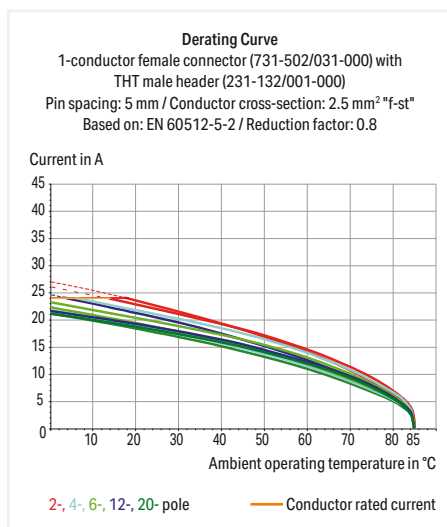
- Gold-plated or partially gold-plated contact surfaces

## 1-Conductor Female Connector ▶ MCS MIDI Classic ▶ 731 Series

Pin spacing: 5 mm (0.197 inch) ▶ Actuation type: Operating tool ▶ CAGE CLAMP® ▶ Conductor entry direction to mating direction: 90° ▶ Color: gray



- Universal connection for all conductor types
- Versions available with snap-in mounting feet or flanges for panel or through-panel mounting
- Mounting adapter allows versions with snap-in mounting feet to be DIN-rail mounted
- Easy conductor termination, even when halves are mated



### Electrical Data

Ratings per	IEC/EN 60664-1		
Overvoltage category	III	III	II
Pollution degree	3	2	2
Rated voltage	320 V	320 V	630 V
Rated impulse voltage	4 kV	4 kV	4 kV
Rated current	12 A	12 A	12 A
Approvals per	UL 1059		
Use Group	B	C	D
Rated voltage	300 V	-	300 V
Rated current	15 A	-	10 A
Approvals per	UL 1977		
Rated voltage	600 V		
Rated current	-		
Approvals per	CSA		
Use Group	B	C	D
Rated voltage	300 V	-	300 V
Rated current	15 A	-	10 A

### Connection Data

Connection technology	CAGE CLAMP®
Strip length	7 ... 8 mm / 0.28 ... 0.31 inch
Solid conductor	0.08 ... 2.5 mm <sup>2</sup> / 28 ... 12 AWG
Fine-stranded conductor	0.08 ... 2.5 mm <sup>2</sup> / 28 ... 12 AWG
Fine-stranded conductor with ferrule with plastic collar	0.25 ... 1.5 mm <sup>2</sup>
Fine-stranded conductor with ferrule without plastic collar	0.25 ... 2.5 mm <sup>2</sup>

### Material Data

Material group	I
Insulating material	Polyamide 66 (PA 66)
Flammability class per UL94	V0
Clamping spring material	Chrome nickel spring steel (CrNi)
Contact material	Copper alloy
Contact plating	Tin-plated

### Environmental Requirements

Limit temperature range	-60 ... +85 °C
-------------------------	----------------

The *MULTI CONNECTION SYSTEM (MCS)* is designed without breaking capacity for compliance with DIN EN 61984. When used as intended, MCS Connectors shall not be connected/disconnected when live or under load. The circuit design should ensure header pins, which can be touched, are not live when unmated.

Ferrule	Page 847
Jumper	Page 729
Marking	Page 833
Mounting	Page 723, 837
Strain relief	Page 726
Testing and measuring	Page 721
Tools	Page 720, 838
Direct marking	Page 712
Additional information, see "Technical Section"	
Approvals and corresponding ratings, visit <a href="http://www.wago.com">www.wago.com</a>	

## 1-Conductor Female Connector ▶ MCS MIDI Classic ▶ 731 Series

Pin spacing: 5 mm (0.197 inch) ▶ Actuation type: Operating tool ▶ CAGE CLAMP® ▶ Conductor entry direction to mating direction: 90° ▶ Color: gray

Type of mounting: Feed-through mounting, Panel mounting ▶ Mounting type: Mounting flange



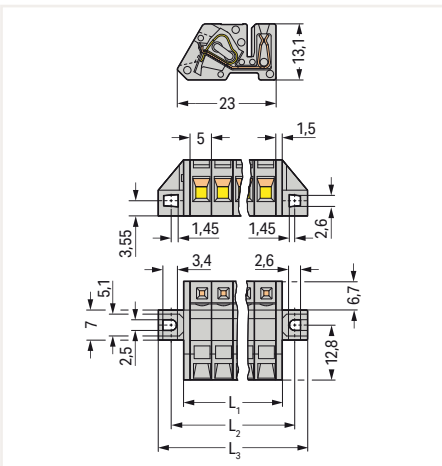
Angled female connector used as through-panel connector.

Termination ports and operating slots are located outside the housing – panel thickness up to 2 mm.

Pole No.	Item No.	PU
2	731-502/031-000	100
3	731-503/031-000	50
4	731-504/031-000	50
5	731-505/031-000	50
6	731-506/031-000	50
7	731-507/031-000	50
8	731-508/031-000	50
9	731-509/031-000	25
10	731-510/031-000	25
11	731-511/031-000	25
12	731-512/031-000	25
13	731-513/031-000	25
14	731-514/031-000	25
15	731-515/031-000	25
16	731-516/031-000	10
17	731-517/031-000	10
18	731-518/031-000	10
19	731-519/031-000	10
20	731-520/031-000	10



Angled female connector – a male header with straight solder pins is used for horizontal PCB mounting in narrow housings.



$L_1 = (\text{pole no.} \times \text{pin spacing}) + 3 \text{ mm}$   
 $L_2 = (\text{pole no.} \times \text{pin spacing}) + 8.8 \text{ mm}$   
 $L_3 = (\text{pole no.} \times \text{pin spacing}) + 14.8 \text{ mm}$

PU = Packaging Unit; SPU = Subpackaging Unit; Dimensions in mm

Other variants can be requested via the WAGO sales department or, if necessary, configured at <https://configurator.wago.com/>:

- Other pole numbers
- Gold-plated or partially gold-plated contact surfaces

**1-Conductor Female Connector ▶ MCS MIDI Classic ▶ 731 Series**

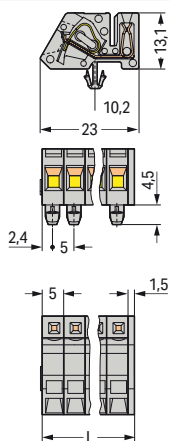
Pin spacing: 5 mm (0.197 inch) ▶ Actuation type: Operating tool ▶ CAGE CLAMP® ▶ Conductor entry direction to mating direction: 90° ▶ Color: gray

Type of mounting: Panel mounting ▶ Mounting type: Snap-in mounting foot



Angled female connector with DIN-35 rail-mount adapter (209-120)

Pole No.	Item No.	PU
2	731-502/008-000	100
3	731-503/008-000	50
4	731-504/008-000	50
5	731-505/008-000	50
6	731-506/008-000	50
7	731-507/008-000	50
8	731-508/008-000	50
9	731-509/008-000	50
10	731-510/008-000	50
11	731-511/008-000	25
12	731-512/008-000	25
13	731-513/008-000	25
14	731-514/008-000	25
15	731-515/008-000	25
16	731-516/008-000	25
17	731-517/008-000	25
18	731-518/008-000	25
19	731-519/008-000	10
20	731-520/008-000	10



$L = (\text{pole no.} \times \text{pin spacing}) + 1.5 \text{ mm}$

PU = Packaging Unit; SPU = Subpackaging Unit; Dimensions in mm

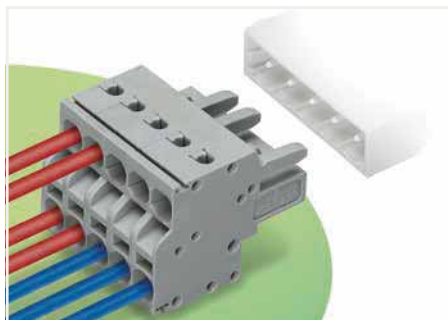
Other variants can be requested via the WAGO sales department or, if necessary, configured at <https://configurator.wago.com/>:

- Other pole numbers
- Gold-plated or partially gold-plated contact surfaces

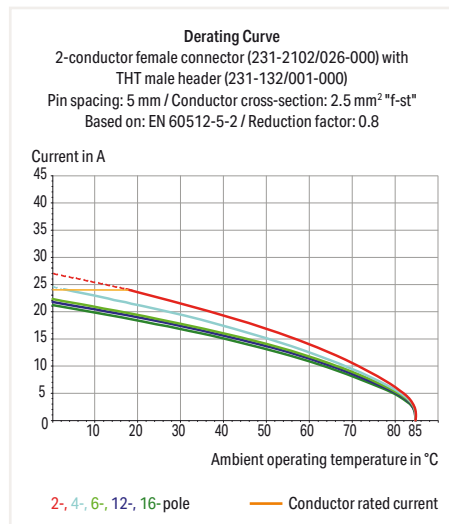


## 2-Conductor Female Connector ▶ MCS MIDI Classic ▶ 231 Series

Pin spacing: 5 mm (0.197 inch) ▶ Actuation type: Operating tool ▶ Push-in CAGE CLAMP® ▶ Conductor entry direction to mating direction: 0° ▶ Color: gray



- Universal connection for all conductor types
- Two conductor entries per pole
- For looping through power or Data buses
- Bus connection is retained, even when unmated
- Push-in termination of solid and ferruled conductors
- With coding fingers



### Electrical Data

Ratings per	IEC/EN 60664-1		
Overvoltage category	III	III	II
Pollution degree	3	2	2
Rated voltage	320 V	320 V	630 V
Rated impulse voltage	4 kV	4 kV	4 kV
Rated current	16 A	16 A	16 A
Approvals per	UL 1059		
Use Group	B	C	D
Rated voltage	300 V	-	300 V
Rated current	20 A	-	10 A
Approvals per	UL 1977		
Rated voltage	600 V		
Rated current	-		
Approvals per	CSA		
Use Group	B	C	D
Rated voltage	300 V	-	300 V
Rated current	15 A	-	10 A

### Connection Data

Connection technology	Push-in CAGE CLAMP®
Strip length	9 ... 10 mm / 0.35 ... 0.39 inch
Solid conductor	0.2 ... 2.5 mm <sup>2</sup> / 24 ... 12 AWG
Fine-stranded conductor	0.2 ... 2.5 mm <sup>2</sup> / 24 ... 12 AWG
Fine-stranded conductor with ferrule with plastic collar	0.25 ... 1.5 mm <sup>2</sup>
Fine-stranded conductor with ferrule without plastic collar	0.25 ... 2.5 mm <sup>2</sup>

### Material Data

Material group	I
Insulating material	Polyamide 66 (PA 66)
Flammability class per UL94	V0
Clamping spring material	Chrome nickel spring steel (CrNi)
Contact material	Copper alloy
Contact plating	Tin-plated

### Environmental Requirements

Limit temperature range	-60 ... +85 °C
-------------------------	----------------

The *MULTI CONNECTION SYSTEM (MCS)* is designed without breaking capacity for compliance with DIN EN 61984. When used as intended, MCS Connectors shall not be connected/disconnected when live or under load. The circuit design should ensure header pins, which can be touched, are not live when unmated.

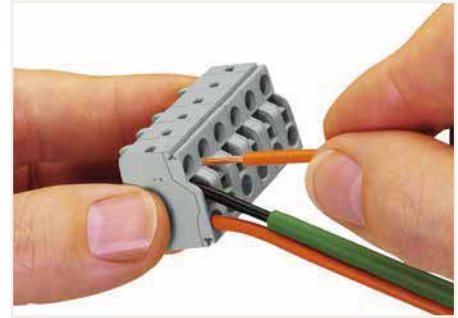
Ferrule	Page 847
Insulation stop	Page 723
Marking	Page 833
Strain relief	Page 725
Testing and measuring	Page 721
Tools	Page 721, 838
Direct marking	Page 712
Additional information, see "Technical Section"	
Approvals and corresponding ratings, visit <a href="http://www.wago.com">www.wago.com</a>	



## 2-Conductor Female Connector ▶ MCS MIDI Classic ▶ 231 Series

Pin spacing: 5 mm (0.197 inch) ▶ Actuation type: Operating tool ▶ Push-in CAGE CLAMP® ▶ Conductor entry direction to mating direction: 0° ▶ Color: gray

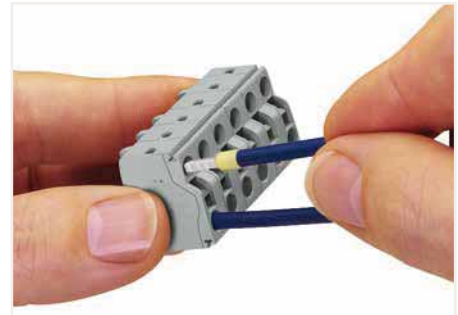
Locking of plug-in connection: locking lever



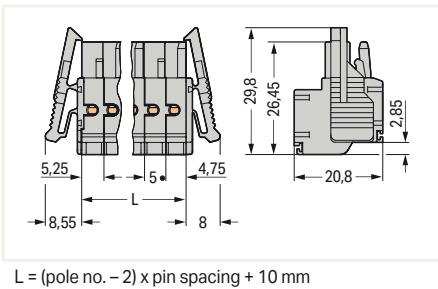
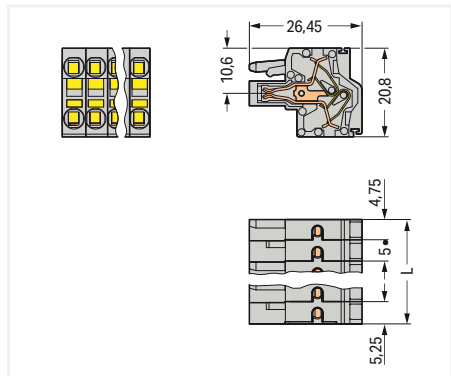
Operating Push-in CAGE CLAMP® is easy, fast and identical to that of CAGE CLAMP®. The screwdriver is fully inserted into the operating slot, holding Push-in CAGE CLAMP® open. After the conductor has been inserted into the clamping unit and the screwdriver been withdrawn, the conductor is clamped safely. Solid and fine-stranded conductors < 0.5 mm² (20 AWG) are terminated and removed using a screwdriver.

Pole No.	Item No.	PU
2	231-2102/026-000	100
3	231-2103/026-000	100
4	231-2104/026-000	100
5	231-2105/026-000	50
6	231-2106/026-000	50
7	231-2107/026-000	50
8	231-2108/026-000	50
9	231-2109/026-000	50
10	231-2110/026-000	50
11	231-2111/026-000	25
12	231-2112/026-000	25
13	231-2113/026-000	25
14	231-2114/026-000	25
15	231-2115/026-000	25
16	231-2116/026-000	25

Pole No.	Item No.	PU
2	231-2102/037-000	100
3	231-2103/037-000	50
4	231-2104/037-000	50
5	231-2105/037-000	50
6	231-2106/037-000	50
7	231-2107/037-000	50
8	231-2108/037-000	25
9	231-2109/037-000	25
10	231-2110/037-000	25
11	231-2111/037-000	25
12	231-2112/037-000	25
13	231-2113/037-000	25
14	231-2114/037-000	25
15	231-2115/037-000	25
16	231-2116/037-000	10



Solid conductors ≥ 0.5 mm² (20 AWG), as well as ferruled, fine-stranded conductors can be terminated by simply pushing them into unit. Integrated test ports allow touch contact with current bar via test probes in both horizontal and vertical directions.



L = (pole no. - 2) x pin spacing + 10 mm

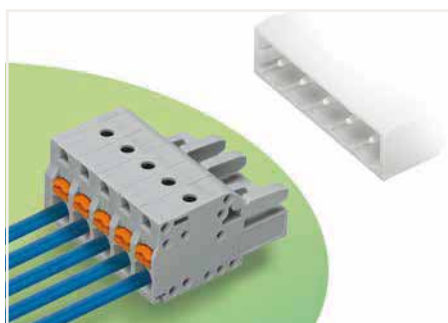
PU = Packaging Unit; SPU = Subpackaging Unit; Dimensions in mm

Other variants can be requested via the WAGO sales department or, if necessary, configured at <https://configurator.wago.com/>:

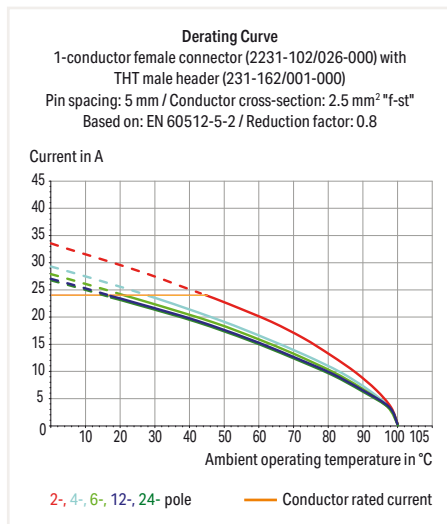
- Gold-plated or partially gold-plated contact surfaces

## 1-Conductor Female Connector ▶ MCS MIDI Classic ▶ 2231 Series

Pin spacing: 5 mm (0.197 inch) ▶ Actuation type: Push-button ▶ Push-in CAGE CLAMP® ▶ Conductor entry direction to mating direction: 0° ▶ Color: gray



- Universal connection for all conductor types
- Easy-to-use design does not require specialty tools
- Ability to wire while mated
- Push-in termination of solid and ferruled conductors
- Integrated test ports for testing parallel to the conductor entry
- With coding fingers



### Electrical Data

Ratings per	IEC/EN 60664-1		
Overvoltage category	III	III	II
Pollution degree	3	2	2
Rated voltage	320 V	320 V	630 V
Rated impulse voltage	4 kV	4 kV	4 kV
Rated current	16 A	16 A	16 A
Approvals per	UL 1059		
Use Group	B	C	D
Rated voltage	300 V	150 V	300 V
Rated current	15 A	15 A	10 A
Approvals per	UL 1977		
Rated voltage	600 V		
Rated current	-		
Approvals per	CSA		
Use Group	B	C	D
Rated voltage	300 V	150 V	300 V
Rated current	15 A	15 A	10 A

### Connection Data

Connection technology	Push-in CAGE CLAMP®
Strip length	10 ... 11 mm / 0.39 ... 0.43 inch
Solid conductor	0.2 ... 2.5 mm <sup>2</sup> / 24 ... 12 AWG
Fine-stranded conductor	0.2 ... 2.5 mm <sup>2</sup> / 24 ... 12 AWG
Fine-stranded conductor with ferrule with plastic collar	0.25 ... 1.5 mm <sup>2</sup>
Fine-stranded conductor with ferrule without plastic collar	0.25 ... 2.5 mm <sup>2</sup>

### Material Data

Material group	I
Insulating material	Polyamide 66 (PA 66)
Flammability class per UL94	V0
Clamping spring material	Chrome nickel spring steel (CrNi)
Contact material	Copper alloy
Contact plating	Tin-plated

### Environmental Requirements

Limit temperature range	-60 ... +100 °C
-------------------------	-----------------

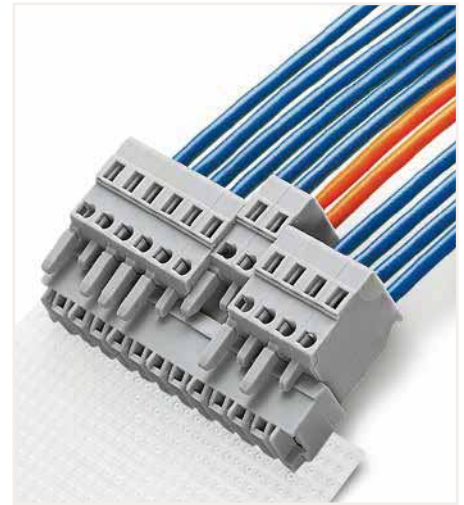
The *MULTI CONNECTION SYSTEM (MCS)* is designed without breaking capacity for compliance with DIN EN 61984. When used as intended, MCS Connectors shall not be connected/disconnected when live or under load. The circuit design should ensure header pins, which can be touched, are not live when unmated.

Ferrule	Page 847
Insulation stop	Page 723
Marking	Page 833
Mounting	Page 723, 837
Mounting adapter	Page 729
Strain relief	Page 725
Testing and measuring	Page 721, 854
Tools	Page 838
Direct marking	Page 712
Cutout dimensions	Page 716
Additional information, see "Technical Section"	
Approvals and corresponding ratings, visit <a href="http://www.wago.com">www.wago.com</a>	

### 1-Conductor Female Connector ▶ MCS MIDI Classic ▶ 2231 Series

Pin spacing: 5 mm (0.197 inch) ▶ Actuation type: Push-button ▶ Push-in CAGE CLAMP® ▶ Conductor entry direction to mating direction: 0° ▶ Color: gray

Plugging without loss of pin spacing



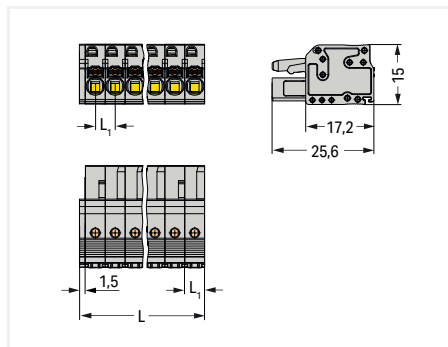
Total pole number for female connectors = pole number for male header

Pole No.	Item No.	PU	Pole No.	Item No.	PU
2	2231-102/026-000	100	2	2231-102/102-000	100
3	2231-103/026-000	100	3	2231-103/102-000	100
4	2231-104/026-000	100	4	2231-104/102-000	100
5	2231-105/026-000	100	5	2231-105/102-000	100
6	2231-106/026-000	50	6	2231-106/102-000	50
7	2231-107/026-000	50	7	2231-107/102-000	50
8	2231-108/026-000	50	8	2231-108/102-000	50
9	2231-109/026-000	50	9	2231-109/102-000	50
10	2231-110/026-000	50	10	2231-110/102-000	50
11	2231-111/026-000	25	11	2231-111/102-000	25
12	2231-112/026-000	25	12	2231-112/102-000	25
13	2231-113/026-000	25	13	2231-113/102-000	25
14	2231-114/026-000	25	14	2231-114/102-000	25
15	2231-115/026-000	25	15	2231-115/102-000	25
16	2231-116/026-000	25	16	2231-116/102-000	25
17	2231-117/026-000	25	17	2231-117/102-000	25
18	2231-118/026-000	25	18	2231-118/102-000	25
19	2231-119/026-000	10	19	2231-119/102-000	10
20	2231-120/026-000	10	20	2231-120/102-000	10
21	2231-121/026-000	10	21	2231-121/102-000	10
22	2231-122/026-000	10	22	2231-122/102-000	10
23	2231-123/026-000	10	23	2231-123/102-000	10
24	2231-124/026-000	10	24	2231-124/102-000	10

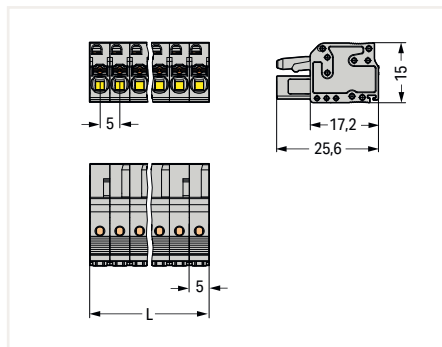


Female connectors with a built-in end plate require no extra space, while maintaining the nominal cross-section. This means: Total length of female connectors is reduced to „pole no. x pin spacing“!

9



L = (pole no. x pin spacing) + 1.5 mm  
 L<sub>1</sub> = 5 mm  
 2- to 3-pole female connectors – one latch only



L = pole no. x pin spacing  
 2- to 3-pole female connectors – one latch only

PU = Packaging Unit; SPU = Subpackaging Unit; Dimensions in mm

Other variants can be requested via the WAGO sales department or, if necessary, configured at <https://configurator.wago.com/>:

- Gold-plated or partially gold-plated contact surfaces

# 1-Conductor Female Connector ▶ MCS MIDI Classic ▶ 2231 Series

Pin spacing: 5 mm (0.197 inch) ▶ Actuation type: Push-button ▶ Push-in CAGE CLAMP® ▶ Conductor entry direction to mating direction: 0° ▶ Color: gray

Locking of plug-in connection: locking lever

Type of mounting: Feed-through mounting, Panel mounting ▶ Mounting type: Mounting flange

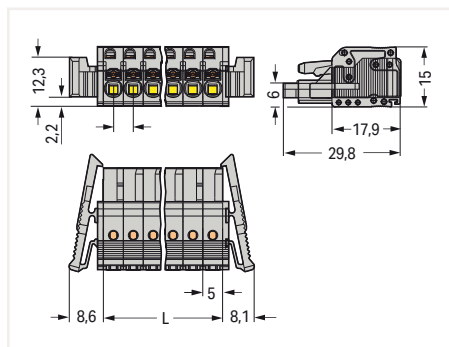
Type of mounting: Panel mounting ▶ Mounting type: Snap-in mounting foot



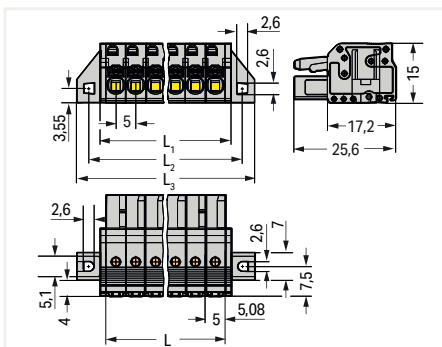
Pole No.	Item No.	PU
2	2231-102/037-000	100
3	2231-103/037-000	50
4	2231-104/037-000	50
5	2231-105/037-000	50
6	2231-106/037-000	50
7	2231-107/037-000	50
8	2231-108/037-000	25
9	2231-109/037-000	25
10	2231-110/037-000	25
11	2231-111/037-000	25
12	2231-112/037-000	25
13	2231-113/037-000	25
14	2231-114/037-000	25
15	2231-115/037-000	25
16	2231-116/037-000	10
17	2231-117/037-000	10
18	2231-118/037-000	10
19	2231-119/037-000	10
20	2231-120/037-000	10
21	2231-121/037-000	10
22	2231-122/037-000	10
23	2231-123/037-000	10
24	2231-124/037-000	10

Pole No.	Item No.	PU
2	2231-102/031-000	100
3	2231-103/031-000	50
4	2231-104/031-000	50
5	2231-105/031-000	50
6	2231-106/031-000	50
7	2231-107/031-000	50
8	2231-108/031-000	50
9	2231-109/031-000	25
10	2231-110/031-000	25
11	2231-111/031-000	25
12	2231-112/031-000	25
13	2231-113/031-000	25
14	2231-114/031-000	25
15	2231-115/031-000	25
16	2231-116/031-000	10
17	2231-117/031-000	10
18	2231-118/031-000	10
19	2231-119/031-000	10
20	2231-120/031-000	10
21	2231-121/031-000	10
22	2231-122/031-000	10
23	2231-123/031-000	10
24	2231-124/031-000	10

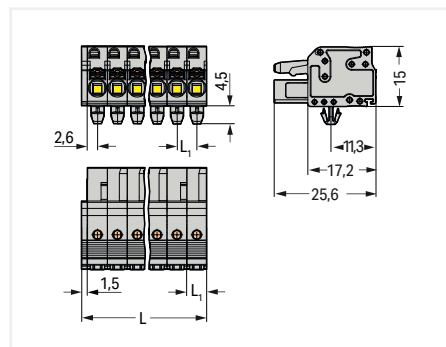
Pole No.	Item No.	PU
2	2231-102/008-000	100
3	2231-103/008-000	100
4	2231-104/008-000	100
5	2231-105/008-000	100
6	2231-106/008-000	50
7	2231-107/008-000	25
8	2231-108/008-000	50
9	2231-109/008-000	50
10	2231-110/008-000	50
11	2231-111/008-000	25
12	2231-112/008-000	25
13	2231-113/008-000	25
14	2231-114/008-000	25
15	2231-115/008-000	25
16	2231-116/008-000	25
17	2231-117/008-000	25
18	2231-118/008-000	25
19	2231-119/008-000	10
20	2231-120/008-000	10
21	2231-121/008-000	10
22	2231-122/008-000	10
23	2231-123/008-000	10
24	2231-124/008-000	10



L = pole no. x pin spacing  
2- to 3-pole female connectors – one latch only



L = pole no. x pin spacing  
L<sub>1</sub> = L + 2.8 mm  
L<sub>2</sub> = L + 8.8 mm  
L<sub>3</sub> = L + 14.8 mm  
2- to 3-pole female connectors – one latch only



L = (pole no. x pin spacing) + 1.5 mm  
L<sub>1</sub> = 5 mm  
2- to 3-pole female connectors – one latch only

PU = Packaging Unit; SPU = Subpackaging Unit; Dimensions in mm

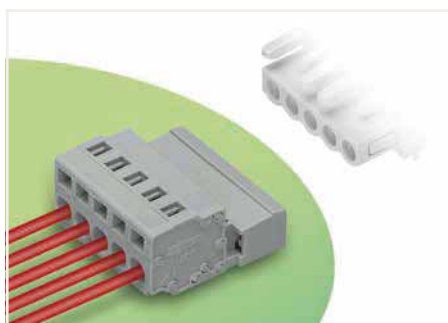
Other variants can be requested via the WAGO sales department or, if necessary, configured at <https://configurator.wago.com/>:

- Gold-plated or partially gold-plated contact surfaces

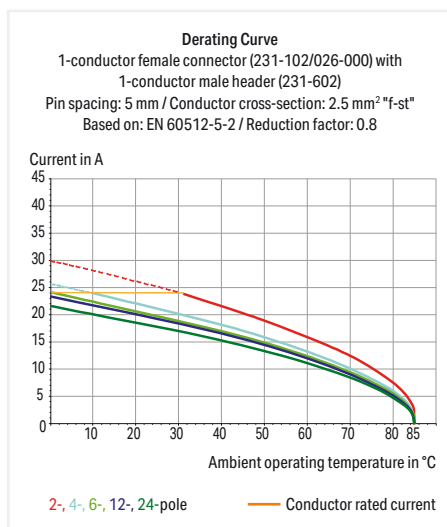


## 1-Conductor Male Connector ▶ MCS MIDI Classic ▶ 231 Series

Pin spacing: 5 mm (0.197 inch) ▶ Actuation type: Operating tool ▶ CAGE CLAMP® ▶ Conductor entry direction to mating direction: 0° ▶ Color: gray



- Universal connection for all conductor types
- Easy cable pre-assembly and on-unit wiring via vertical and horizontal CAGE CLAMP® actuation
- For wire-to-wire and board-to-wire connections
- Versions available with snap-in mounting feet or flanges for panel or through-panel mounting
- With coding fingers



### Electrical Data

Ratings per	IEC/EN 60664-1		
Overvoltage category	III	III	II
Pollution degree	3	2	2
Rated voltage	320 V	320 V	630 V
Rated impulse voltage	4 kV	4 kV	4 kV
Rated current	12 A	12 A	12 A

Approvals per	UL 1059		
Use Group	B	C	D
Rated voltage	300 V	-	300 V
Rated current	15 A	-	10 A

Approvals per	UL 1977		
Rated voltage	600 V		
Rated current	-		

Approvals per	CSA		
Use Group	B	C	D
Rated voltage	300 V	-	300 V
Rated current	15 A	-	10 A

### Connection Data

Connection technology	CAGE CLAMP®
Strip length	8 ... 9 mm / 0.31 ... 0.35 inch
Solid conductor	0.08 ... 2.5 mm <sup>2</sup> / 28 ... 12 AWG
Fine-stranded conductor	0.08 ... 2.5 mm <sup>2</sup> / 28 ... 12 AWG
Fine-stranded conductor with ferrule with plastic collar	0.25 ... 1.5 mm <sup>2</sup>
Fine-stranded conductor with ferrule without plastic collar	0.25 ... 2.5 mm <sup>2</sup>

### Material Data

Material group	I
Insulating material	Polyamide 66 (PA 66)
Flammability class per UL94	V0
Clamping spring material	Chrome nickel spring steel (CrNi)
Contact material	Electrolytic copper (Ecu)
Contact plating	Tin-plated

### Environmental Requirements

Limit temperature range	-60 ... +100 °C
-------------------------	-----------------

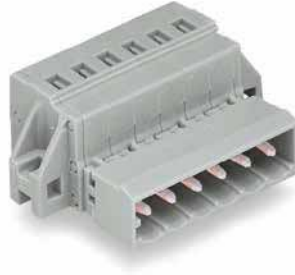
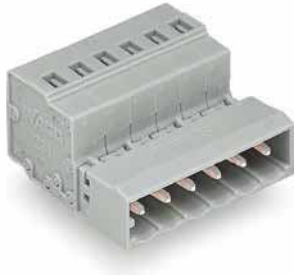
The *MULTI CONNECTION SYSTEM (MCS)* is designed without breaking capacity for compliance with DIN EN 61984. When used as intended, MCS Connectors shall not be connected/disconnected when live or under load. The circuit design should ensure header pins, which can be touched, are not live when unmated.

Coding	Page 722
Ferrule	Page 847
General accessory	Page 723
Insulation stop	Page 723
Jumper	Page 729
Marking	Page 833
Mounting	Page 723, 837
Mounting adapter	Page 729
Strain relief	Page 726
Tools	Page 720, 838
Direct marking	Page 712
Cutout dimensions	Page 716
Additional information, see "Technical Section"	
Approvals and corresponding ratings, visit <a href="http://www.wago.com">www.wago.com</a>	

# 1-Conductor Male Connector ▶ MCS MIDI Classic ▶ 231 Series

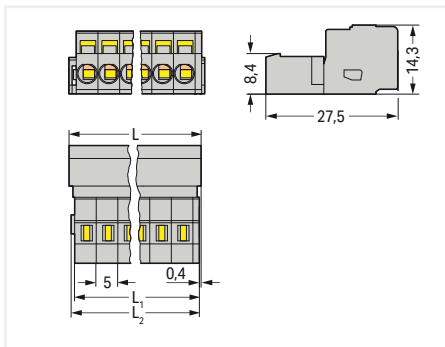
Pin spacing: 5 mm (0.197 inch) ▶ Actuation type: Operating tool ▶ CAGE CLAMP® ▶ Conductor entry direction to mating direction: 0° ▶ Color: gray

Type of mounting: Feed-through mounting, Panel mounting ▶ Mounting type: Mounting flange

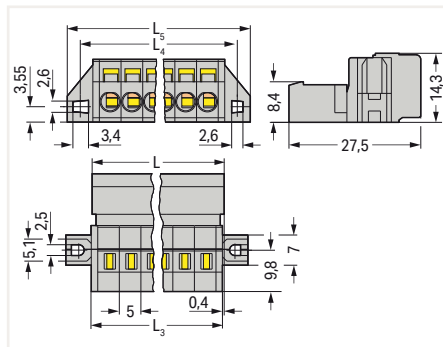


Pole No.	Item No.	PU	Pole No.	Item No.	PU
2	231-602	100	2	231-602/019-000	100
3	231-603	100	3	231-603/019-000	50
4	231-604	100	4	231-604/019-000	50
5	231-605	50	5	231-605/019-000	50
6	231-606	50	6	231-606/019-000	50
7	231-607	50	7	231-607/019-000	50
8	231-608	50	8	231-608/019-000	50
9	231-609	50	9	231-609/019-000	25
10	231-610	50	10	231-610/019-000	25
11	231-611	25	11	231-611/019-000	25
12	231-612	25	12	231-612/019-000	25
13	231-613	25	13	231-613/019-000	25
14	231-614	25	14	231-614/019-000	25
15	231-615	25	15	231-615/019-000	25
16	231-616	25	16	231-616/019-000	10
17	231-617	25	17	231-617/019-000	10
18	231-618	25	18	231-618/019-000	10
19	231-619	10	19	231-619/019-000	10
20	231-620	10	20	231-620/019-000	10
21	231-621	10	21	231-621/019-000	10
22	231-622	10	22	231-622/019-000	10
23	231-623	10	23	231-623/019-000	10
24	231-624	10	24	231-624/019-000	10

9



L = (pole no. - 1) x pin spacing + 8.2 mm  
 L<sub>1</sub> = L - 1.7 mm  
 L<sub>2</sub> = L - 1.2 mm



L = (pole no. - 1) x pin spacing + 8.2 mm  
 L<sub>3</sub> = L - 0.2 mm  
 L<sub>4</sub> = L<sub>3</sub> + 5.8 mm  
 L<sub>5</sub> = L<sub>3</sub> + 11.8 mm

PU = Packaging Unit; SPU = Subpackaging Unit; Dimensions in mm

Other variants can be requested via the WAGO sales department or, if necessary, configured at <https://configurator.wago.com/>:

- Other pole numbers
- Gold-plated or partially gold-plated contact surfaces

**1-Conductor Male Connector ▶ MCS MIDI Classic ▶ 231 Series**

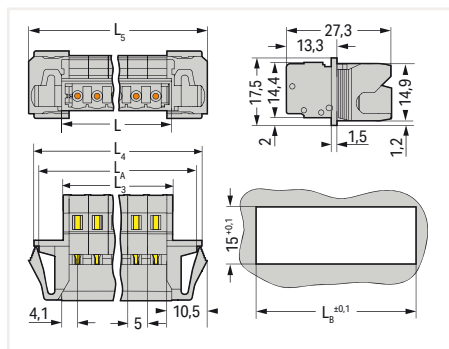
Pin spacing: 5 mm (0.197 inch) ▶ Actuation type: Operating tool ▶ CAGE CLAMP® ▶ Conductor entry direction to mating direction: 0° ▶ Color: gray

Type of mounting: Feed-through mounting ▶ Mounting type: Snap-in



Male connector, with snap-in flanges for feedthrough applications, for 0.5 ... 2.5 mm plate thickness

Pole No.	Item No.	PU
2	231-602/114-000	50
3	231-603/114-000	50
4	231-604/114-000	50
5	231-605/114-000	50
6	231-606/114-000	50
7	231-607/114-000	25
8	231-608/114-000	25
9	231-609/114-000	25
10	231-610/114-000	25
11	231-611/114-000	25
12	231-612/114-000	25
13	231-613/114-000	25
14	231-614/114-000	25
15	231-615/114-000	10
16	231-616/114-000	10
17	231-617/114-000	10
18	231-618/114-000	10
19	231-619/114-000	10
20	231-620/114-000	10
21	231-621/114-000	10
22	231-622/114-000	10
23	231-623/114-000	10
24	231-624/114-000	10



$L = (\text{pole no.} \times \text{pin spacing}) + 3.2 \text{ mm}$

$L_5 = L - 0.2 \text{ mm}$

$L_4 = L_5 + 15.2 \text{ mm}$

$L_3 = L_5 + 18 \text{ mm}$

$L_2 = L_5 + 12.6 \text{ mm}$

$L_1 = L_5 + 13.2 \text{ mm}$

$L_0 = L_5 + 13.2 \text{ mm}$

PU = Packaging Unit; SPU = Subpackaging Unit; Dimensions in mm

Other variants can be requested via the WAGO sales department or, if necessary, configured at <https://configurator.wago.com/>:

- Other pole numbers
- Gold-plated or partially gold-plated contact surfaces



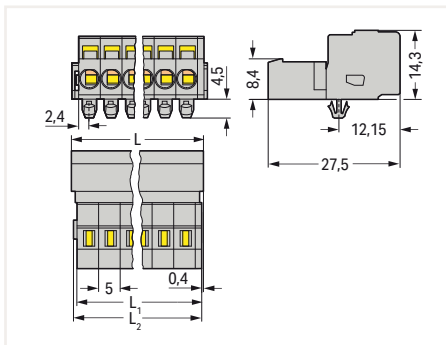
**1-Conductor Male Connector ▶ MCS MIDI Classic ▶ 231 Series**

Pin spacing: 5 mm (0.197 inch) ▶ Actuation type: Operating tool ▶ CAGE CLAMP® ▶ Conductor entry direction to mating direction: 0° ▶ Color: gray

Type of mounting: Panel mounting ▶ Mounting type:  
Snap-in mounting foot



Pole No.	Item No.	PU
2	231-602/018-000	100
3	231-603/018-000	100
4	231-604/018-000	100
5	231-605/018-000	50
6	231-606/018-000	50
7	231-607/018-000	50
8	231-608/018-000	50
9	231-609/018-000	50
10	231-610/018-000	50
11	231-611/018-000	25
12	231-612/018-000	25
13	231-613/018-000	25
14	231-614/018-000	25
15	231-615/018-000	25
16	231-616/018-000	25
17	231-617/018-000	25
18	231-618/018-000	25
19	231-619/018-000	10
20	231-620/018-000	10
21	231-621/018-000	10
22	231-622/018-000	10
23	231-623/018-000	10
24	231-624/018-000	10



$L = (\text{pole no.} - 1) \times \text{pin spacing} + 8.2 \text{ mm}$

$L_1 = L - 1.7 \text{ mm}$

$L_2 = L - 1.2 \text{ mm}$

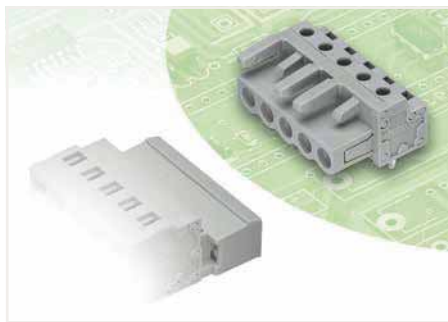
PU = Packaging Unit; SPU = Subpackaging Unit; Dimensions in mm

Other variants can be requested via the WAGO sales department or, if necessary, configured at <https://configurator.wago.com/>:

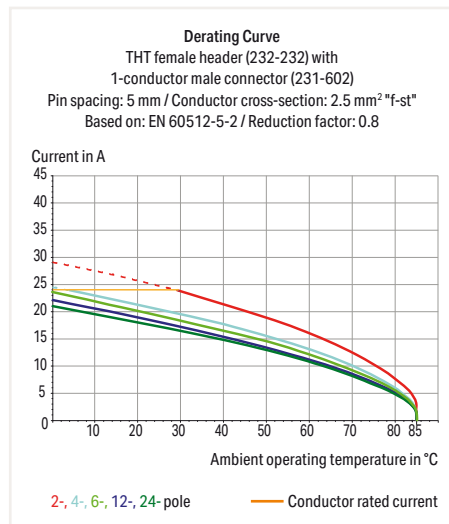
- Other pole numbers
- Gold-plated or partially gold-plated contact surfaces

**THT Female Header ▶ MCS MIDI Classic ▶ 232 Series**

Pin spacing: 5 mm (0.197 inch) ▶ Solder pin dimensions: 0.6 x 1 mm ▶ Color: gray



- Horizontal or vertical PCB mounting via straight or angled solder pins
- For board-to-board and board-to-wire connections
- Touch-proof PCB outputs
- Easy-to-identify PCB inputs and outputs
- With coding fingers

**Electrical Data**

Ratings per	IEC/EN 60664-1		
Overvoltage category	III	III	II
Pollution degree	3	2	2
Rated voltage	320 V	320 V	630 V
Rated impulse voltage	4 kV	4 kV	4 kV
Rated current	12 A	12 A	12 A
Approvals per	UL 1059		
Use Group	B	C	D
Rated voltage	300 V	-	300 V
Rated current	15 A	-	10 A
Approvals per	UL 1977		
Rated voltage	600 V		
Rated current	-		
Approvals per	CSA		
Use Group	B	C	D
Rated voltage	300 V	-	300 V
Rated current	15 A	-	10 A

**Material Data**

Material group	I
Insulating material	Polyamide 66 (PA 66)
Flammability class per UL94	V0
Contact material	Copper alloy
Contact plating	Tin-plated

**Mechanical Data**

Solder pin arrangement	Over the entire female connector, in line
Solder pin length	5 mm
Solder pin dimensions	0.6 x 1 mm
Drilled hole diameter (tolerance)	1.3 <sup>(+0.1)</sup> mm

**Environmental Requirements**

Limit temperature range	-60 ... +85 °C
-------------------------	----------------

The *MULTI CONNECTION SYSTEM (MCS)* is designed without breaking capacity for compliance with DIN EN 61984. When used as intended, MCS Connectors shall not be connected/disconnected when live or under load. The circuit design should ensure header pins, which can be touched, are not live when unmated.

Mounting Page 723, 837

Testing and measuring Page 721, 854

Cutout dimensions Page 716

Additional information, see "Technical Section"

Approvals and corresponding ratings, visit [www.wago.com](http://www.wago.com)

# THT Female Header ▶ MCS MIDI Classic ▶ 232 Series

Pin spacing: 5 mm (0.197 inch) ▶ Solder pin dimensions: 0.6 x 1 mm ▶ Color: gray

Mating direction to the PCB: 0°

Mating direction to the PCB: 90°

Locking of plug-in connection: locking lever ▶ Mating direction to the PCB: 0°

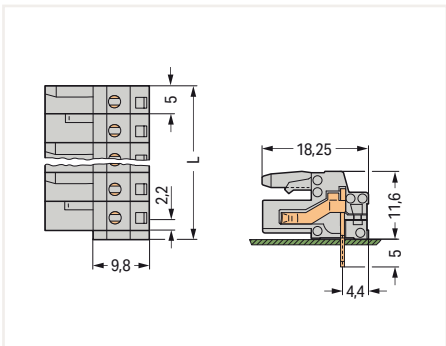


Pole No.	Item No.	PU
2	232-232	200
3	232-233	100
4	232-234	100
5	232-235	100
6	232-236	50
7	232-237	50
8	232-238	50
9	232-239	50
10	232-240	50
11	232-241	25
12	232-242	25
13	232-243	25
14	232-244	25
15	232-245	25
16	232-246	25
17	232-247	25
18	232-248	25
19	232-249	10
20	232-250	10
21	232-251	10
22	232-252	10
23	232-253	10
24	232-254	10

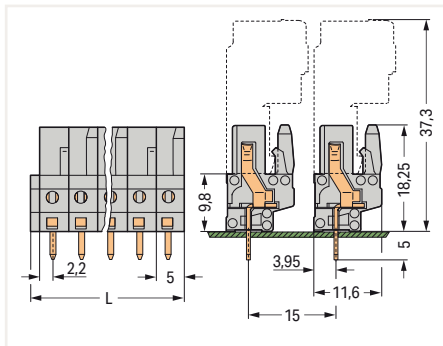
Pole No.	Item No.	PU
2	232-132	100
3	232-133	100
4	232-134	100
5	232-135	100
6	232-136	50
7	232-137	50
8	232-138	50
9	232-139	50
10	232-140	50
11	232-141	25
12	232-142	25
13	232-143	25
14	232-144	25
15	232-145	25
16	232-146	25
17	232-147	25
18	232-148	25
19	232-149	10
20	232-150	10
21	232-151	10
22	232-152	10
23	232-153	10
24	232-154	10

Pole No.	Item No.	PU
2	232-232/039-000	100
3	232-233/039-000	50
4	232-234/039-000	50
5	232-235/039-000	50
6	232-236/039-000	50
7	232-237/039-000	50
8	232-238/039-000	50
9	232-239/039-000	25
10	232-240/039-000	25
11	232-241/039-000	25
12	232-242/039-000	25
13	232-243/039-000	25
14	232-244/039-000	25
15	232-245/039-000	25
16	232-246/039-000	10
17	232-247/039-000	10
18	232-248/039-000	10
19	232-249/039-000	10
20	232-250/039-000	10
21	232-251/039-000	10
22	232-252/039-000	10
23	232-253/039-000	10
24	232-254/039-000	10

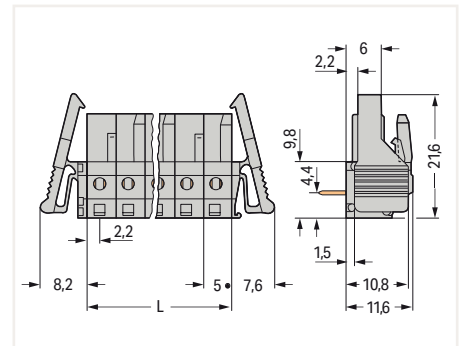
9



L = (pole no. x pin spacing) + 1.5 mm  
Distance to first solder pin: 2.2 mm  
2- to 3-pole female connectors – one latch only



L = (pole no. x pin spacing) + 1.5 mm  
2- to 3-pole female connectors – one latch only



L = pole no. x pin spacing  
Distance to first solder pin: 2.2 mm  
2- to 3-pole female connectors – one latch only

PU = Packaging Unit; SPU = Subpackaging Unit; Dimensions in mm

Other variants can be requested via the WAGO sales department or, if necessary, configured at <https://configurator.wago.com/>:

- Other pole numbers
- 3.8 mm pin projection for male headers with straight solder pins
- Gold-plated or partially gold-plated contact surfaces

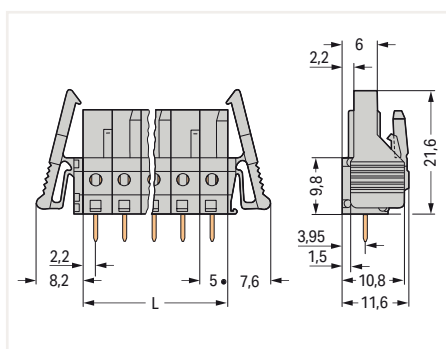
**THT Female Header ▶ MCS MIDI Classic ▶ 232 Series**

Pin spacing: 5 mm (0.197 inch) ▶ Solder pin dimensions: 0.6 x 1 mm ▶ Color: gray

Locking of plug-in connection: locking lever ▶ Mating direction to the PCB: 90°



Pole No.	Item No.	PU
2	232-132/039-000	100
3	232-133/039-000	50
4	232-134/039-000	50
5	232-135/039-000	50
6	232-136/039-000	50
7	232-137/039-000	50
8	232-138/039-000	50
9	232-139/039-000	25
10	232-140/039-000	25
11	232-141/039-000	25
12	232-142/039-000	25
13	232-143/039-000	25
14	232-144/039-000	25
15	232-145/039-000	25
16	232-146/039-000	10
17	232-147/039-000	10
18	232-148/039-000	10
19	232-149/039-000	10
20	232-150/039-000	10
21	232-151/039-000	10
22	232-152/039-000	10
23	232-153/039-000	10



L = pole no. x pin spacing

2- to 3-pole female connectors – one latch only

PU = Packaging Unit; SPU = Subpackaging Unit; Dimensions in mm

Other variants can be requested via the WAGO sales department or, if necessary, configured at <https://configurator.wago.com/>:

- Other pole numbers
- 3.8 mm pin projection for male headers with straight solder pins
- Gold-plated or partially gold-plated contact surfaces

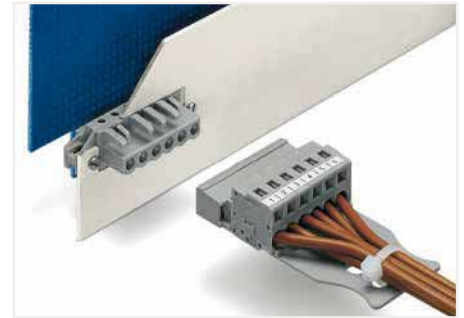
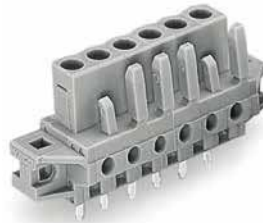
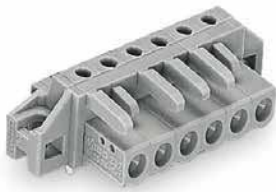
## THT Female Header ▶ MCS MIDI Classic ▶ 232 Series

Pin spacing: 5 mm (0.197 inch) ▶ Solder pin dimensions: 0.6 x 1 mm ▶ Color: gray

Type of mounting: Feed-through mounting, Panel mounting ▶ Mounting type: Mounting flange

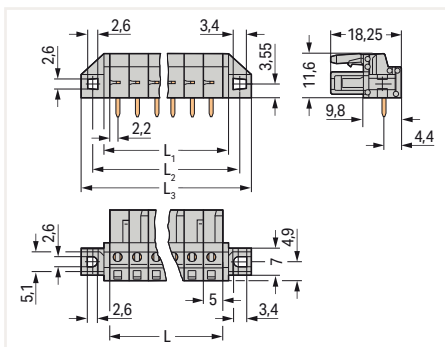
Mating direction to the PCB: 0°

Mating direction to the PCB: 90°

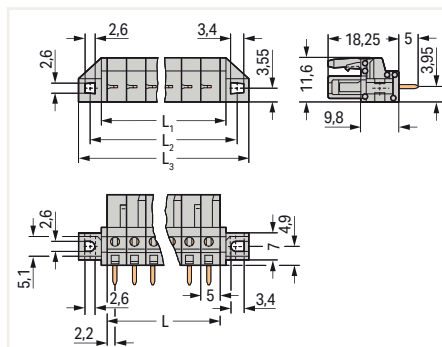


The innovative flange design provides standard panel mounting options or various through-panel mounting configurations. Depending on the type of application and flange, female headers can be used either for through-panel or flush mount applications.

Pole No.	Item No.	PU	Pole No.	Item No.	PU
2	232-232/031-000	100	2	232-132/031-000	100
3	232-233/031-000	50	3	232-133/031-000	50
4	232-234/031-000	50	4	232-134/031-000	50
5	232-235/031-000	50	5	232-135/031-000	50
6	232-236/031-000	50	6	232-136/031-000	50
7	232-237/031-000	50	7	232-137/031-000	50
8	232-238/031-000	50	8	232-138/031-000	50
9	232-239/031-000	25	9	232-139/031-000	25
10	232-240/031-000	25	10	232-140/031-000	25
11	232-241/031-000	25	11	232-141/031-000	25
12	232-242/031-000	25	12	232-142/031-000	25
13	232-243/031-000	25	13	232-143/031-000	25
14	232-244/031-000	25	14	232-144/031-000	25
15	232-245/031-000	25	15	232-145/031-000	25
16	232-246/031-000	10	16	232-146/031-000	10
17	232-247/031-000	10	17	232-147/031-000	10
18	232-248/031-000	10	18	232-148/031-000	10
19	232-249/031-000	10	19	232-149/031-000	10
20	232-250/031-000	10	20	232-150/031-000	10
21	232-251/031-000	10	21	232-151/031-000	10
22	232-252/031-000	10	22	232-152/031-000	10
23	232-253/031-000	10	23	232-153/031-000	10
24	232-254/031-000	10	24	232-154/031-000	10



L = pole no. x pin spacing  
 $L_1 = L + 3$  mm  
 $L_2 = L + 8.8$  mm  
 $L_3 = L + 14.8$  mm  
 2- to 3-pole female connectors – one latch only



L = pole no. x pin spacing  
 $L_1 = L + 3$  mm  
 $L_2 = L + 8.8$  mm  
 $L_3 = L + 14.8$  mm  
 2- to 3-pole female connectors – one latch only

PU = Packaging Unit; SPU = Subpackaging Unit; Dimensions in mm

Other variants can be requested via the WAGO sales department or, if necessary, configured at <https://configurator.wago.com/>:

- Other pole numbers
- 3.8 mm pin projection for male headers with straight solder pins
- Gold-plated or partially gold-plated contact surfaces

# THT Female Header ▶ MCS MIDI Classic ▶ 232 Series

Pin spacing: 5 mm (0.197 inch) ▶ Solder pin dimensions: 0.6 x 1 mm ▶ Color: gray

Type of mounting: Flush mounting, Panel mounting ▶ Mounting type: Mounting flange

Mating direction to the PCB: 0°

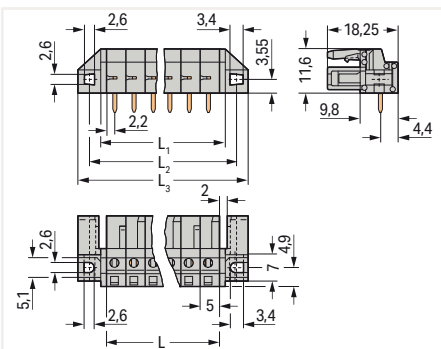
Mating direction to the PCB: 90°



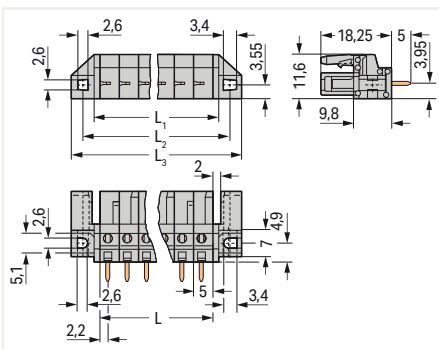
The innovative flange design provides standard panel mounting options or various through-panel mounting configurations. Depending on the type of application and flange, female headers can be used either for through-panel or flush mount applications.

Pole No.	Item No.	PU
2	232-232/047-000	100
3	232-233/047-000	50
4	232-234/047-000	50
5	232-235/047-000	50
6	232-236/047-000	50
7	232-237/047-000	50
8	232-238/047-000	50
9	232-239/047-000	25
10	232-240/047-000	25
11	232-241/047-000	25
12	232-242/047-000	25
13	232-243/047-000	25
14	232-244/047-000	25
15	232-245/047-000	25
16	232-246/047-000	10
17	232-247/047-000	10
18	232-248/047-000	10
19	232-249/047-000	10
20	232-250/047-000	10
21	232-251/047-000	10
22	232-252/047-000	10
23	232-253/047-000	10
24	232-254/047-000	10

Pole No.	Item No.	PU
2	232-132/047-000	100
3	232-133/047-000	50
4	232-134/047-000	50
5	232-135/047-000	50
6	232-136/047-000	50
7	232-137/047-000	50
8	232-138/047-000	50
9	232-139/047-000	25
10	232-140/047-000	25
11	232-141/047-000	25
12	232-142/047-000	25
13	232-143/047-000	25
14	232-144/047-000	25
15	232-145/047-000	25
16	232-146/047-000	10
17	232-147/047-000	10
18	232-148/047-000	10
19	232-149/047-000	10
20	232-150/047-000	10
21	232-151/047-000	10
22	232-152/047-000	10
23	232-153/047-000	10
24	232-154/047-000	10



L = pole no. x pin spacing  
 $L_1 = L + 3 \text{ mm}$   
 $L_2 = L + 8.8 \text{ mm}$   
 $L_3 = L + 14.8 \text{ mm}$   
 2- to 3-pole female connectors – one latch only



L = pole no. x pin spacing  
 $L_1 = L + 3 \text{ mm}$   
 $L_2 = L + 8.8 \text{ mm}$   
 $L_3 = L + 14.8 \text{ mm}$   
 2- to 3-pole female connectors – one latch only

PU = Packaging Unit; SPU = Subpackaging Unit; Dimensions in mm

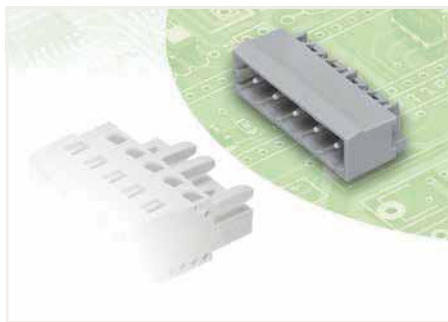
Other variants can be requested via the WAGO sales department or, if necessary, configured at <https://configurator.wago.com/>:

- Other pole numbers
- 3.8 mm pin projection for male headers with straight solder pins
- Gold-plated or partially gold-plated contact surfaces

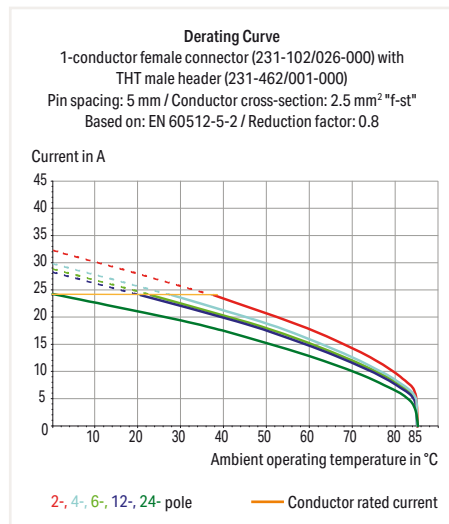


**THT Male Header ▶ MCS MIDI Classic ▶ 231 Series**

Pin spacing: 5 mm (0.197 inch) ▶ Solder pin dimensions: 1 x 1 mm ▶ Color: gray



- Horizontal or vertical PCB mounting via straight or angled solder pins
- Pin cross-section: 1 x 1 mm
- With coding fingers

**Electrical Data**

Ratings per	IEC/EN 60664-1		
Overvoltage category	III	III	II
Pollution degree	3	2	2
Rated voltage	320 V	320 V	630 V
Rated impulse voltage	4 kV	4 kV	4 kV
Rated current	12 A	12 A	12 A
Approvals per	UL 1059		
Use Group	B	C	D
Rated voltage	300 V	-	300 V
Rated current	10 A	-	10 A
Approvals per	UL 1977		
Rated voltage	600 V		
Rated current	-		
Approvals per	CSA		
Use Group	B	C	D
Rated voltage	300 V	-	300 V
Rated current	10 A	-	10 A

**Material Data**

Material group	I
Insulating material	Polyamide 66 (PA 66)
Flammability class per UL94	V0
Contact material	Electrolytic copper (Ecu)
Contact plating	Tin-plated

**Mechanical Data**

Solder pin arrangement	Over the entire male connector, in line
Solder pin dimensions	1 x 1 mm
Drilled hole diameter (tolerance)	1.4 <sup>(+0.1)</sup> mm

**Environmental Requirements**

Limit temperature range	-60 ... +100 °C
-------------------------	-----------------

The *MULTI CONNECTION SYSTEM (MCS)* is designed without breaking capacity for compliance with DIN EN 61984. When used as intended, MCS Connectors shall not be connected/disconnected when live or under load. The circuit design should ensure header pins, which can be touched, are not live when unmated.

Coding	Page 722
Mounting	Page 723, 837
Cutout dimensions	Page 716
Additional information, see "Technical Section"	
Approvals and corresponding ratings, visit <a href="http://www.wago.com">www.wago.com</a>	



# THT Male Header ▶ MCS MIDI Classic ▶ 231 Series

Pin spacing: 5 mm (0.197 inch) ▶ Solder pin dimensions: 1 x 1 mm ▶ Color: gray

Mating direction to the PCB: 0°

Mating direction to the PCB: 90°

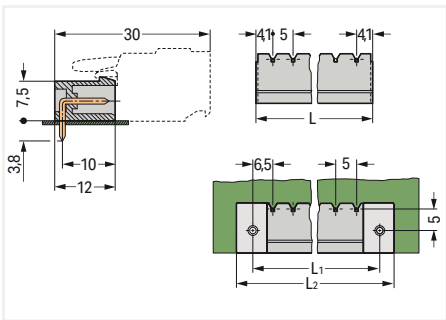
Type of mounting: Feed-through mounting, Panel mounting ▶ Mounting type: Mounting flange ▶ Mating direction to the PCB: 0°



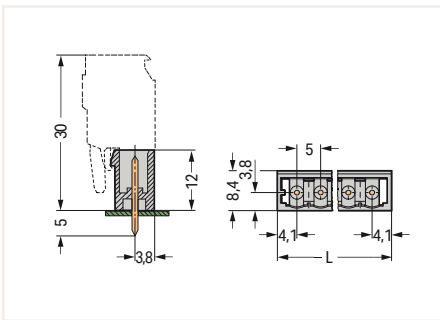
Pole No.	Item No.	PU
2	231-432/001-000	200
3	231-433/001-000	200
4	231-434/001-000	200
6	231-436/001-000	100
7	231-437/001-000	100
8	231-438/001-000	100
9	231-439/001-000	100
10	231-440/001-000	100
11	231-441/001-000	100
12	231-442/001-000	100
13	231-443/001-000	50
14	231-444/001-000	50
15	231-445/001-000	50
16	231-446/001-000	50
17	231-447/001-000	50
18	231-448/001-000	50
19	231-449/001-000	50
20	231-450/001-000	50
21	231-451/001-000	50
22	231-452/001-000	50
23	231-453/001-000	50
24	231-454/001-000	50

Pole No.	Item No.	PU
2	231-132/001-000	200
3	231-133/001-000	200
4	231-134/001-000	200
5	231-135/001-000	200
6	231-136/001-000	100
7	231-137/001-000	100
8	231-138/001-000	100
9	231-139/001-000	100
10	231-140/001-000	100
11	231-141/001-000	100
12	231-142/001-000	100
13	231-143/001-000	50
14	231-144/001-000	50
15	231-145/001-000	50
17	231-147/001-000	50
18	231-148/001-000	50
19	231-149/001-000	50
20	231-150/001-000	50
21	231-151/001-000	50
22	231-152/001-000	50
23	231-153/001-000	50
24	231-154/001-000	50

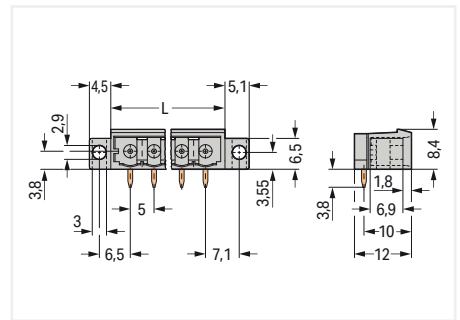
Pole No.	Item No.	PU
2	231-432/040-000	200
3	231-433/040-000	200
5	231-435/040-000	100
6	231-436/040-000	100
14	231-444/040-000	50



L = (pole no. - 1) x pin spacing + 8.2 mm  
 L<sub>1</sub> = L + 5 mm  
 L<sub>2</sub> = L<sub>1</sub> + 7.4 mm



L = (pole no. - 1) x pin spacing + 8.2 mm



L = (pole no. - 1) x pin spacing + 8.2 mm

PU = Packaging Unit; SPU = Subpackaging Unit; Dimensions in mm

Other variants can be requested via the WAGO sales department or, if necessary, configured at <https://configurator.wago.com/>:

- Other pole numbers
- 3.8 mm pin projection for male headers with straight solder pins
- Gold-plated or partially gold-plated contact surfaces

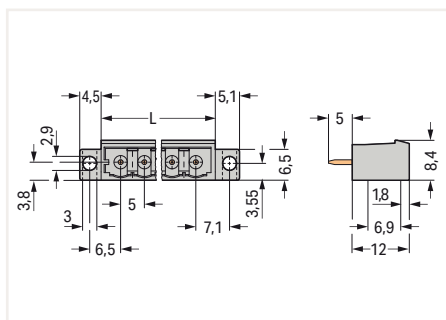
**THT Male Header ▶ MCS MIDI Classic ▶ 231 Series**

Pin spacing: 5 mm (0.197 inch) ▶ Solder pin dimensions: 1 x 1 mm ▶ Color: gray

Type of mounting: Feed-through mounting, Panel mounting ▶ Mounting type: Mounting flange ▶ Mating direction to the PCB: 90°



Pole No.	Item No.	PU
2	231-132/040-000	200
3	231-133/040-000	200
5	231-135/040-000	100
6	231-136/040-000	100
14	231-144/040-000	50



$L = (\text{pole no.} - 1) \times \text{pin spacing} + 8.2 \text{ mm}$

9

PU = Packaging Unit; SPU = Subpackaging Unit; Dimensions in mm

Other variants can be requested via the WAGO sales department or, if necessary, configured at <https://configurator.wago.com/>:

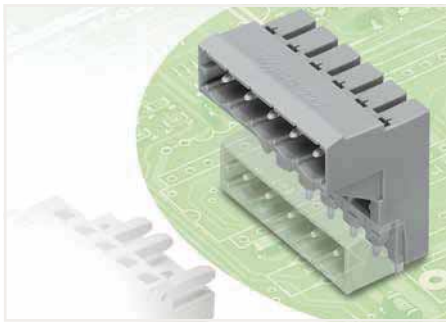
- Other pole numbers
- 3.8 mm pin projection for male headers with straight solder pins
- Gold-plated or partially gold-plated contact surfaces



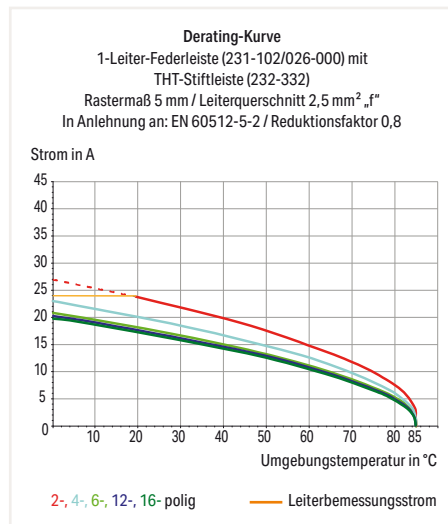
## THT Male Header for Double-Deck Assembly ▶ MCS MIDI Classic ▶ 232 Series

Pin spacing: 5 mm (0.197 inch) ▶ Solder pin dimensions: 1 x 1 mm ▶ Mating direction to the PCB: 0°

▶ Color: gray



- Male headers for double-deck assembly provide high-density wiring for wire-to-board connections
- Horizontal PCB mounting
- Double-deck design allows male or female headers with angled solder pins to be placed on the lower deck
- With coding fingers



### Electrical Data

Ratings per	IEC/EN 60664-1		
Overvoltage category	III	III	II
Pollution degree	3	2	2
Rated voltage	320 V	320 V	630 V
Rated impulse voltage	4 kV	4 kV	4 kV
Rated current	12 A	12 A	12 A
Approvals per	UL 1059		
Use Group	B	C	D
Rated voltage	300 V	-	300 V
Rated current	10 A	-	10 A
Approvals per	UL 1977		
Rated voltage	600 V		
Rated current	-		
Approvals per	CSA		
Use Group	B	C	D
Rated voltage	300 V	-	300 V
Rated current	10 A	-	10 A

### Material Data

Material group	I
Insulating material	Polyamide 66 (PA 66)
Flammability class per UL94	V0
Contact material	Electrolytic copper (Ecu)
Contact plating	Tin-plated

### Mechanical Data

Solder pin arrangement	Over the entire male connector, in line
Solder pin length	5 mm
Solder pin dimensions	1 x 1 mm
Drilled hole diameter (tolerance)	1.4 <sup>(±0.1)</sup> mm

### Environmental Requirements

Limit temperature range	-60 ... +100 °C
-------------------------	-----------------

The *MULTI CONNECTION SYSTEM (MCS)* is designed without breaking capacity for compliance with DIN EN 61984. When used as intended, MCS Connectors shall not be connected/disconnected when live or under load. The circuit design should ensure header pins, which can be touched, are not live when unmated.

Coding Page 722

Additional information, see "Technical Section"

Approvals and corresponding ratings, visit [www.wago.com](http://www.wago.com)

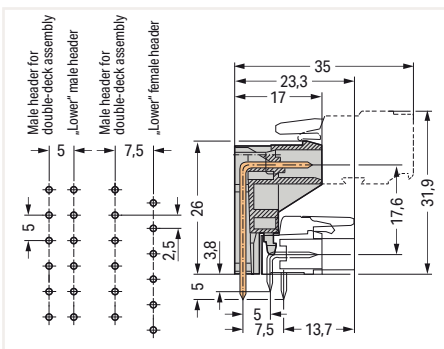
## THT Male Header for Double-Deck Assembly ▶ MCS MIDI Classic ▶ 232 Series

Pin spacing: 5 mm (0.197 inch) ▶ Solder pin dimensions: 1 x 1 mm ▶ Mating direction to the PCB: 0°

▶ Color: gray



Pole No.	Item No.	PU
2	232-332	100
3	232-333	100
4	232-334	100
5	232-335	100
6	232-336	50
7	232-337	50
8	232-338	50
10	232-340	50
12	232-342	50
16	232-346	25



Length = (pole no. - 1) x pin spacing + 8.2 mm  
 The solder pins of the basic male headers (lower deck) are in a line.  
 The solder pins of the basic female connectors (lower deck) are staggered by half a pin spacing.

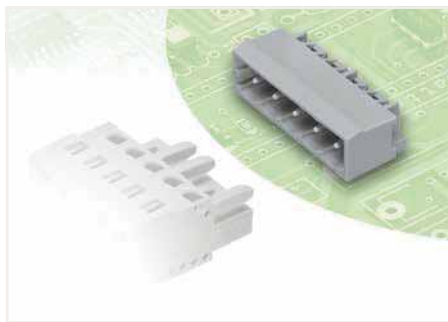
PU = Packaging Unit; SPU = Subpackaging Unit; Dimensions in mm

Other variants can be requested via the WAGO sales department or, if necessary, configured at <https://configurator.wago.com/>:

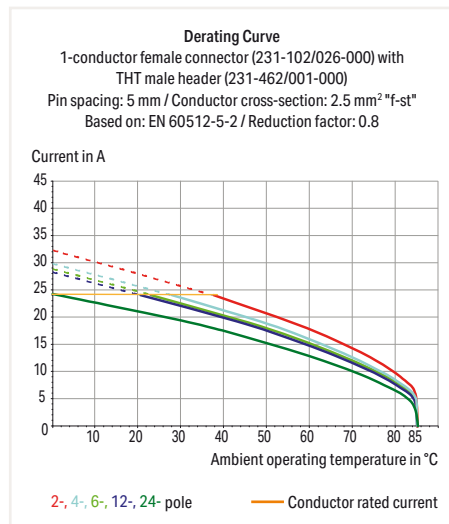
- Other pole numbers
- Gold-plated or partially gold-plated contact surfaces

## THT Male Header ▶ MCS MIDI Classic ▶ 231 Series

Pin spacing: 5 mm (0.197 inch) ▶ Solder pin dimensions: 1.2 x 1.2 mm ▶ Color: gray



- Horizontal or vertical PCB mounting via straight or angled solder pins
- 1.2 x 1.2 mm solder pins allow nominal current up to 16 A, enhancing stability of shorter headers
- With coding fingers



### Electrical Data

Ratings per	IEC/EN 60664-1		
Overvoltage category	III	III	II
Pollution degree	3	2	2
Rated voltage	250 V	320 V	630 V
Rated impulse voltage	4 kV	4 kV	4 kV
Rated current	16 A	16 A	16 A
Approvals per	UL 1059		
Use Group	B	C	D
Rated voltage	300 V	-	300 V
Rated current	15 A	-	10 A
Approvals per	UL 1977		
Rated voltage	600 V		
Rated current	-		
Approvals per	CSA		
Use Group	B	C	D
Rated voltage	300 V	-	300 V
Rated current	15 A	-	10 A

### Material Data

Material group	I
Insulating material	Polyamide 66 (PA 66)
Flammability class per UL94	V0
Contact material	Electrolytic copper (Ecu)
Contact plating	Tin-plated

### Mechanical Data

Solder pin arrangement	Over the entire male connector, in line
Solder pin dimensions	1.2 x 1.2 mm
Drilled hole diameter (tolerance)	1.7 <sup>(+0.1)</sup> mm

### Environmental Requirements

Limit temperature range	-60 ... +100 °C
-------------------------	-----------------

The *MULTI CONNECTION SYSTEM (MCS)* is designed without breaking capacity for compliance with DIN EN 61984. When used as intended, MCS Connectors shall not be connected/disconnected when live or under load. The circuit design should ensure header pins, which can be touched, are not live when unmated.

Coding	Page 722
Mounting	Page 723, 837
Cutout dimensions	Page 716
Additional information, see "Technical Section"	
Approvals and corresponding ratings, visit <a href="http://www.wago.com">www.wago.com</a>	

# THT Male Header ▶ MCS MIDI Classic ▶ 231 Series

Pin spacing: 5 mm (0.197 inch) ▶ Solder pin dimensions: 1.2 x 1.2 mm ▶ Color: gray

Mating direction to the PCB: 0°

Mating direction to the PCB: 90°

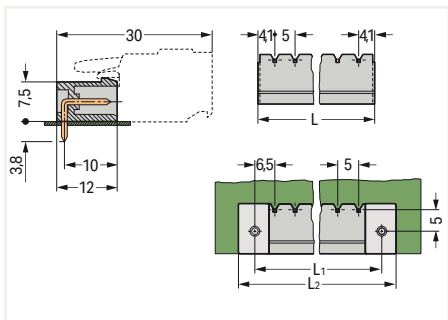
Type of mounting: Feed-through mounting, Panel mounting ▶ Mounting type: Mounting flange ▶ Mating direction to the PCB: 0°



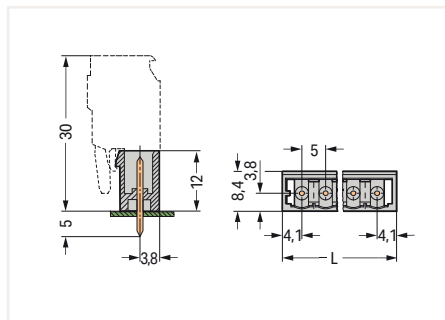
Pole No.	Item No.	PU
2	231-462/001-000	200
3	231-463/001-000	200
4	231-464/001-000	200
5	231-465/001-000	200
6	231-466/001-000	100
7	231-467/001-000	100
8	231-468/001-000	100
9	231-469/001-000	100
10	231-470/001-000	100
11	231-471/001-000	100
12	231-472/001-000	100
13	231-473/001-000	50
14	231-474/001-000	50
15	231-475/001-000	50
16	231-476/001-000	50
17	231-477/001-000	50
18	231-478/001-000	50
19	231-479/001-000	50
20	231-480/001-000	50
21	231-481/001-000	50
22	231-482/001-000	50
23	231-483/001-000	50
24	231-484/001-000	50

Pole No.	Item No.	PU
2	231-162/001-000	200
3	231-163/001-000	200
4	231-164/001-000	200
5	231-165/001-000	200
6	231-166/001-000	200
7	231-167/001-000	100
8	231-168/001-000	100
9	231-169/001-000	100
10	231-170/001-000	100
11	231-171/001-000	100
12	231-172/001-000	100
13	231-173/001-000	50
14	231-174/001-000	50
15	231-175/001-000	50
16	231-176/001-000	50
17	231-177/001-000	50
18	231-178/001-000	50
19	231-179/001-000	50
20	231-180/001-000	50
21	231-181/001-000	50
22	231-182/001-000	50
23	231-183/001-000	50
24	231-184/001-000	50

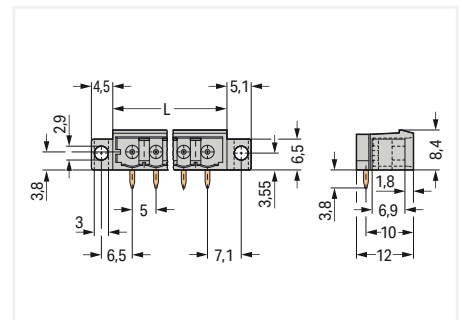
Pole No.	Item No.	PU
2	231-462/040-000	200
3	231-463/040-000	200
5	231-465/040-000	100
6	231-466/040-000	100
14	231-474/040-000	50



L = (pole no. - 1) x pin spacing + 8.2 mm  
 L<sub>1</sub> = L + 5 mm  
 L<sub>2</sub> = L<sub>1</sub> + 7.4 mm



L = (pole no. - 1) x pin spacing + 8.2 mm



L = (pole no. - 1) x pin spacing + 8.2 mm

PU = Packaging Unit; SPU = Subpackaging Unit; Dimensions in mm

Other variants can be requested via the WAGO sales department or, if necessary, configured at <https://configurator.wago.com/>:

- Other pole numbers
- 3.8 mm pin projection for male headers with straight solder pins
- Gold-plated or partially gold-plated contact surfaces

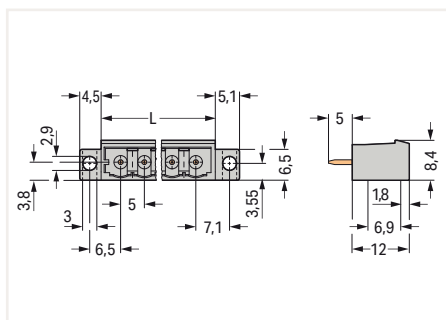
**THT Male Header ▶ MCS MIDI Classic ▶ 231 Series**

Pin spacing: 5 mm (0.197 inch) ▶ Solder pin dimensions: 1.2 x 1.2 mm ▶ Color: gray

Type of mounting: Feed-through mounting, Panel mounting ▶ Mounting type: Mounting flange ▶ Mating direction to the PCB: 90°



Pole No.	Item No.	PU
2	231-162/040-000	200
3	231-163/040-000	200
5	231-165/040-000	100
6	231-166/040-000	100
14	231-174/040-000	50



$L = (\text{pole no.} - 1) \times \text{pin spacing} + 8.2 \text{ mm}$

9

PU = Packaging Unit; SPU = Subpackaging Unit; Dimensions in mm

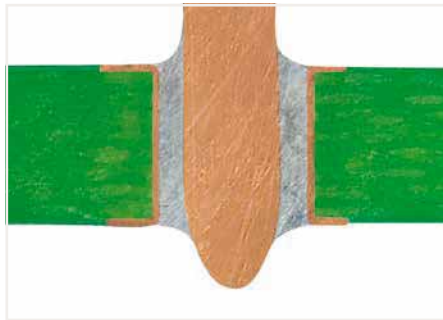
Other variants can be requested via the WAGO sales department or, if necessary, configured at <https://configurator.wago.com/>:

- Other pole numbers
- 3.8 mm pin projection for male headers with straight solder pins
- Gold-plated or partially gold-plated contact surfaces



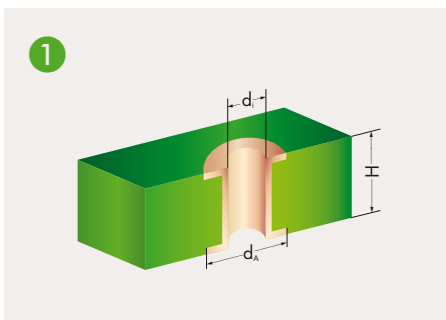


# THR (Through-Hole Reflow) Soldering Process



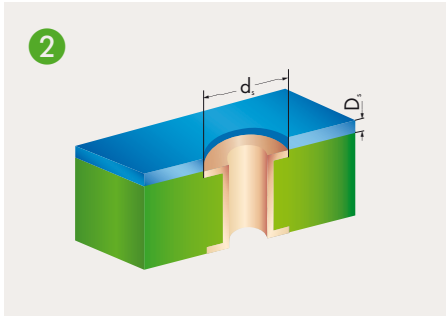
By using high-temperature-resistant plastic and a streamlined pin design, WAGO's THR male headers and PCB terminal blocks meet requirements for SMT process capability while maintaining the necessary stability. Both headers and terminal blocks are simply pushed into the solder paste-filled PCB holes and then soldered along with the SMT components via reflow soldering. The previous wave soldering process is no longer necessary. The result is a perfect connection – both mechanically and electrically.

Terminal strips with an additional suction pad in tape-and-reel packaging per IEC 60286-3 WAGO recommends both a temperature profile that adheres to EN 61760-1 and the use of forced convection ovens for processing THR components.



Metal-plated PCB bore hole

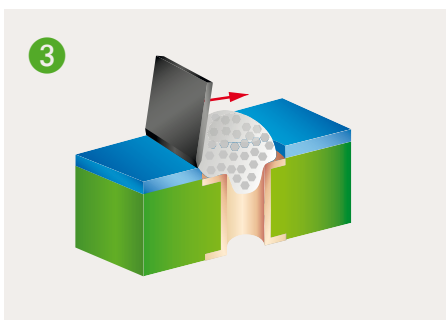
Series	d <sub>i</sub> (mm)	d <sub>A</sub> (mm)	H (mm)	d <sub>s</sub> (mm)	D <sub>s</sub> (µm)	d (mm)	L (mm)
218	1,1 <sup>+0,1</sup>	1,9	< 2	1,8	150	0,9	2,8
231 (1 x 1 mm)	1,4 <sup>+0,1</sup>	2,5	< 2	2,4	150	1,2	2,4
231 (1,2 x 1,2 mm)	1,7 <sup>+0,1</sup>	2,8	< 2	2,7	150	1,5	2,4
236	1,1 <sup>+0,1</sup>	2,2	< 2	2,1	150	0,9	3,6
250	1,1 <sup>+0,1</sup>	2,0	< 2	1,9	150	0,9	3,6
713	1,2 <sup>+0,1</sup>	1,9	< 2	1,8	150	1,0	2,4
733	1,2 <sup>+0,1</sup>	1,9	< 2	1,8	150	1,0	2,4
734	1,4 <sup>+0,1</sup>	2,5	< 2	2,4	150	1,2	2,4
2060 THR	1,5 <sup>+0,1</sup>	2,4	< 2	2,3	150	1,25	2,4
2061 THR	1,5 <sup>+0,1</sup>	2,4	< 2	2,3	150	1,25	1,5/2,4



SMD positioning pattern

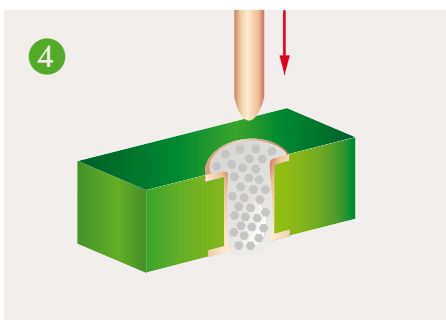
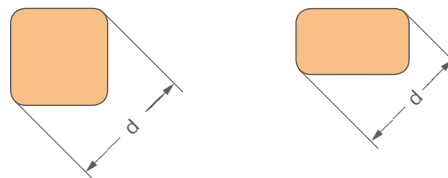
- d<sub>i</sub>: Plated through-hole diameter
- d<sub>A</sub>: Outer diameter of metal-plated PCB hole\*
- H: PCB thickness
- d<sub>s</sub>: Pattern hole diameter
- D<sub>s</sub>: Pattern thickness
- d: Pin diagonal
- L: Pin length

\* When laying out the metal-plated bore holes, the clearance and creepage distance requirements – as specified in the equipment standards – must be considered.

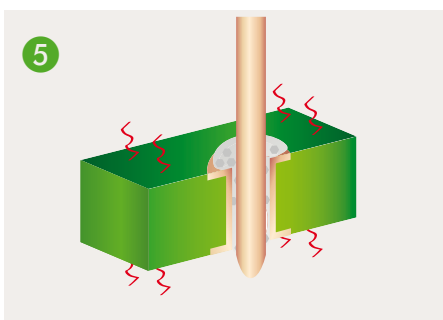


Solder paste application

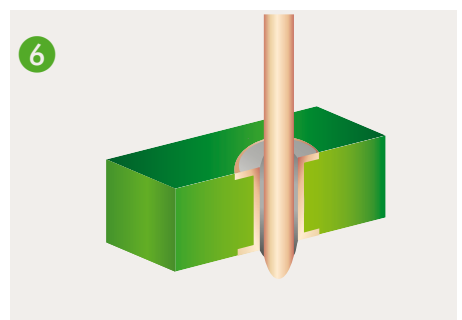
Soldering pin form



Component assembly, automatic/by hand



Reflow soldering process



THR soldering joint

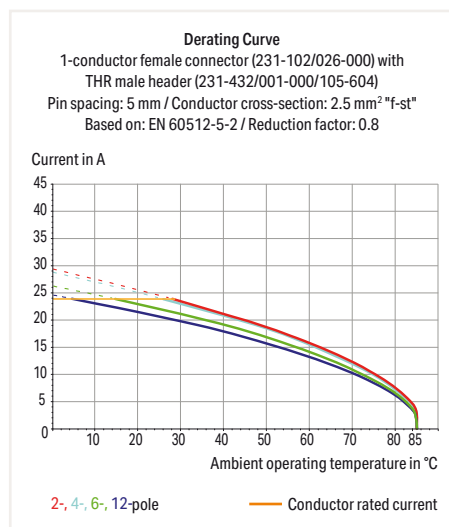


**THR Male Header ▶ MCS MIDI Classic ▶ 231 Series**

Pin spacing: 5 mm (0.197 inch) ▶ Solder pin dimensions: 1 x 1 mm ▶ Color: black



- THR male headers for reflow soldering in SMT applications
- Available in tape-and-reel packaging for automated pick-and-place PCB assembly
- Also available in bulk packaging for manual placement
- Male headers may be mounted horizontally or vertically
- With coding fingers

**Electrical Data**

Ratings per	IEC/EN 60664-1		
Overvoltage category	III	III	II
Pollution degree	3	2	2
Rated voltage	320 V	320 V	630 V
Rated impulse voltage	4 kV	4 kV	4 kV
Rated current	12 A	12 A	12 A
Approvals per	UL 1059		
Use Group	B	C	D
Rated voltage	300 V	-	300 V
Rated current	10 A	-	10 A
Approvals per	UL 1977		
Rated voltage	600 V		
Rated current	-		
Approvals per	CSA		
Use Group	B	C	D
Rated voltage	300 V	-	300 V
Rated current	10 A	-	10 A

**Material Data**

Material group	I
Insulating material	Polyphthalamide (PPA GF)
Flammability class per UL94	V0
Contact material	Electrolytic copper (Ecu)
Contact plating	Tin-plated

**Mechanical Data**

Solder pin arrangement	Over the entire male connector, in line
Solder pin length	2.4 mm
Solder pin dimensions	1 x 1 mm
Plated through-hole diameter (THR)	1.4 <sup>(±0.1)</sup> mm

**Environmental Requirements**

Limit temperature range	-60 ... +100 °C
-------------------------	-----------------

The *MULTI CONNECTION SYSTEM (MCS)* is designed without breaking capacity for compliance with DIN EN 61984. When used as intended, MCS Connectors shall not be connected/disconnected when live or under load. The circuit design should ensure header pins, which can be touched, are not live when unmated.

THR-soldering process Page 584

Coding Page 722

Additional information, see "Technical Section"

Approvals and corresponding ratings, visit [www.wago.com](http://www.wago.com)

# THR Male Header ▶ MCS MIDI Classic ▶ 231 Series

Pin spacing: 5 mm (0.197 inch) ▶ Solder pin dimensions: 1 x 1 mm ▶ Color: black

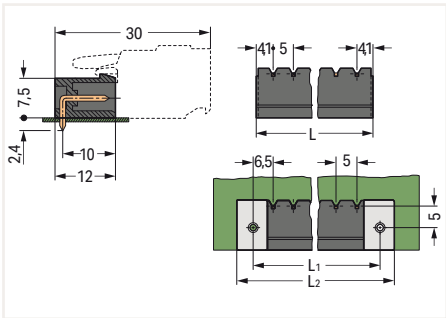
Mating direction to the PCB: 0°

Suitable for automated assembly

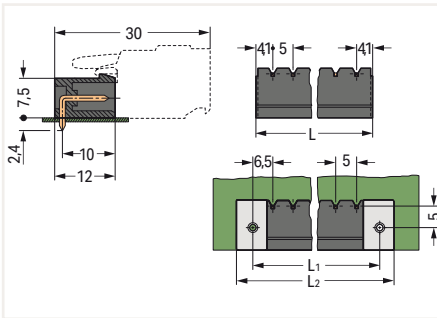


Pole No.	Item No.	PU
2	231-432/001-000/105-604	200
3	231-433/001-000/105-604	200
4	231-434/001-000/105-604	200
5	231-435/001-000/105-604	200
6	231-436/001-000/105-604	100
8	231-438/001-000/105-604	100
9	231-439/001-000/105-604	100
10	231-440/001-000/105-604	100
11	231-441/001-000/105-604	100
12	231-442/001-000/105-604	100

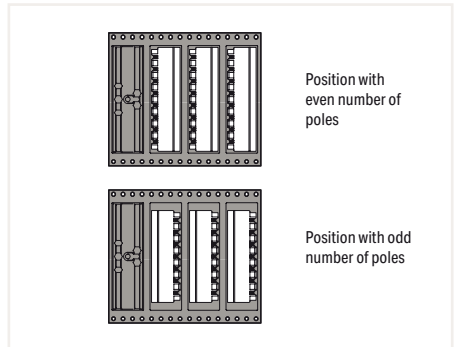
Pole No.	Tape width	Item No.	PU
2	32 mm	231-432/001-000/105-604/997-405	170
3	32 mm	231-433/001-000/105-604/997-405	170
4	56 mm	231-434/001-000/105-604/997-407	170
6	56 mm	231-436/001-000/105-604/997-407	170
7	56 mm	231-437/001-000/105-604/997-407	170
8	56 mm	231-438/001-000/105-604/997-407	170
9	88 mm	231-439/001-000/105-604/997-409	170
10	88 mm	231-440/001-000/105-604/997-409	170
11	88 mm	231-441/001-000/105-604/997-409	170
12	88 mm	231-442/001-000/105-604/997-409	170



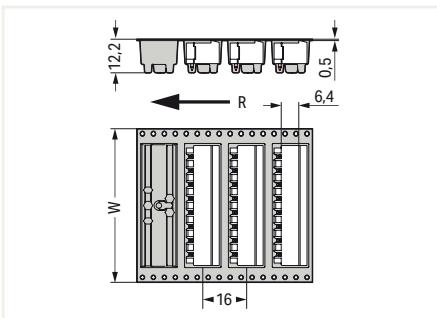
$L = (\text{pole no.} - 1) \times \text{pin spacing} + 8.2 \text{ mm}$   
 $L_1 = L + 4.8 \text{ mm}$   
 $L_2 = L_1 + 7.2 \text{ mm}$



$L = (\text{pole no.} - 1) \times \text{pin spacing} + 8.2 \text{ mm}$   
 $L_1 = L + 4.8 \text{ mm}$   
 $L_2 = L_1 + 7.2 \text{ mm}$



Pin position in tape-and-reel packaging



W= Tape width  
R= Feed direction

PU = Packaging Unit; SPU = Subpackaging Unit; Dimensions in mm

Other variants can be requested via the WAGO sales department or, if necessary, configured at <https://configurator.wago.com/>:

- Other pole numbers
- Gold-plated or partially gold-plated contact surfaces

# THR Male Header ▶ MCS MIDI Classic ▶ 231 Series

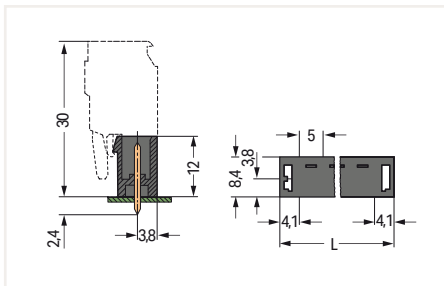
Pin spacing: 5 mm (0.197 inch) ▶ Solder pin dimensions: 1 x 1 mm ▶ Color: black

Mating direction to the PCB: 90°

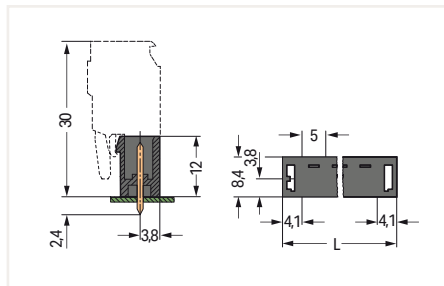
Suitable for automated assembly



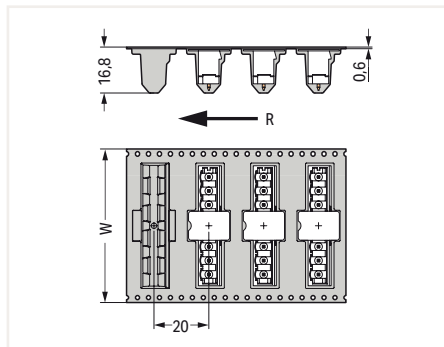
Pole No.	Item No.	PU	Pole No.	Tape width	Item No.	PU
2	231-132/001-000/105-604	200	2	32 mm	231-132/001-000/105-604/997-405	170
3	231-133/001-000/105-604	200	3	32 mm	231-133/001-000/105-604/997-405	170
4	231-134/001-000/105-604	200	4	56 mm	231-134/001-000/105-604/997-407	170
5	231-135/001-000/105-604	200	5	56 mm	231-135/001-000/105-604/997-407	170
6	231-136/001-000/105-604	100	6	56 mm	231-136/001-000/105-604/997-407	170
7	231-137/001-000/105-604	100	8	56 mm	231-138/001-000/105-604/997-407	170
8	231-138/001-000/105-604	100	9	56 mm	231-139/001-000/105-604/997-409	170
9	231-139/001-000/105-604	100	10	88 mm	231-140/001-000/105-604/997-409	170
10	231-140/001-000/105-604	100	11	88 mm	231-141/001-000/105-604/997-409	170
11	231-141/001-000/105-604	100	12	88 mm	231-142/001-000/105-604/997-409	170
12	231-142/001-000/105-604	100				



L = (pole no. - 1) x pin spacing + 8.2 mm



L = (pole no. - 1) x pin spacing + 8.2 mm



W = Tape width  
R = Feed direction

PU = Packaging Unit; SPU = Subpackaging Unit; Dimensions in mm

Other variants can be requested via the WAGO sales department or, if necessary, configured at <https://configurator.wago.com/>:

- Other pole numbers
- Gold-plated or partially gold-plated contact surfaces

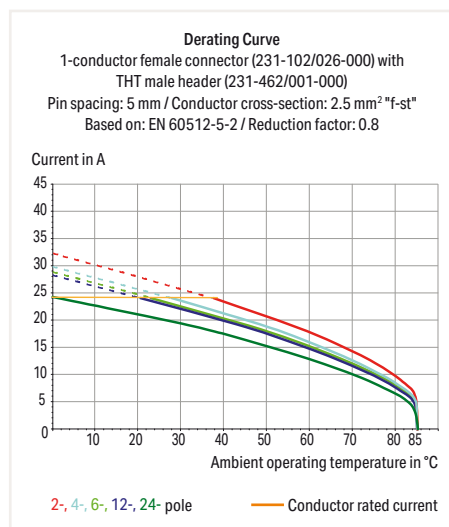


**THR Male Header ▶ MCS MIDI Classic ▶ 231 Series**

Pin spacing: 5 mm (0.197 inch) ▶ Solder pin dimensions: 1.2 x 1.2 mm ▶ Color: black



- THR male headers for reflow soldering in SMT applications
- Available in tape-and-reel packaging for automated pick-and-place PCB assembly
- 1.2 x 1.2 mm solder pins allow nominal current up to 16 A, enhancing stability of shorter headers
- Also available in bulk packaging for manual placement
- Male headers may be mounted horizontally or vertically
- With coding fingers

**Electrical Data**

		IEC/EN 60664-1		
Ratings per		III	III	II
Overvoltage category		3	2	2
Pollution degree		250 V	320 V	630 V
Rated voltage		4 kV	4 kV	4 kV
Rated impulse voltage		16 A	16 A	16 A
Rated current				
Approvals per		UL 1977		
Rated voltage		600 V		
Rated current		-		
Approvals per				
Use Group		B	C	D
Rated voltage		300 V	-	300 V
Rated current		-	-	-

**Material Data**

Material group	I
Insulating material	Polyphthalamide (PPA GF)
Flammability class per UL94	V0
Contact material	Electrolytic copper (Ecu)
Contact plating	Tin-plated

**Mechanical Data**

Solder pin arrangement	Over the entire male connector, in line
Solder pin length	2.4 mm
Solder pin dimensions	1.2 x 1.2 mm
Plated through-hole diameter (THR)	1.7 <sup>(+0.1)</sup> mm
Reel diameter of tape-and-reel packaging	330 mm

**Environmental Requirements**

Limit temperature range	-60 ... +100 °C
-------------------------	-----------------

The *MULTI CONNECTION SYSTEM (MCS)* is designed without breaking capacity for compliance with DIN EN 61984. When used as intended, MCS Connectors shall not be connected/disconnected when live or under load. The circuit design should ensure header pins, which can be touched, are not live when unmated.

THR-soldering process Page 584

Coding Page 722

Additional information, see "Technical Section"

Approvals and corresponding ratings, visit [www.wago.com](http://www.wago.com)



# THR Male Header ▶ MCS MIDI Classic ▶ 231 Series

Pin spacing: 5 mm (0.197 inch) ▶ Solder pin dimensions: 1.2 x 1.2 mm ▶ Color: black

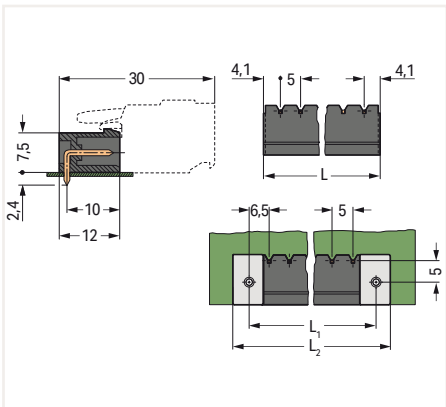
Mating direction to the PCB: 0°

Suitable for automated assembly

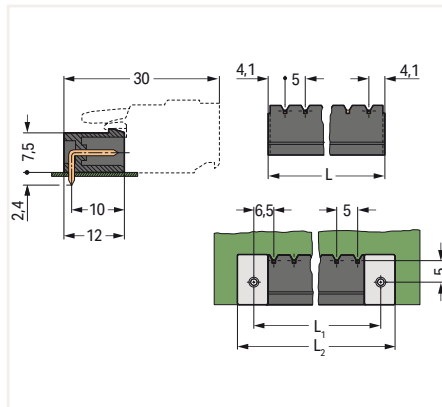


Pole No.	Item No.	PU
2	231-462/001-000/105-604	200
3	231-463/001-000/105-604	200
4	231-464/001-000/105-604	200
5	231-465/001-000/105-604	200
6	231-466/001-000/105-604	100
7	231-467/001-000/105-604	100
8	231-468/001-000/105-604	100
9	231-469/001-000/105-604	100
10	231-470/001-000/105-604	100
11	231-471/001-000/105-604	100
12	231-472/001-000/105-604	100

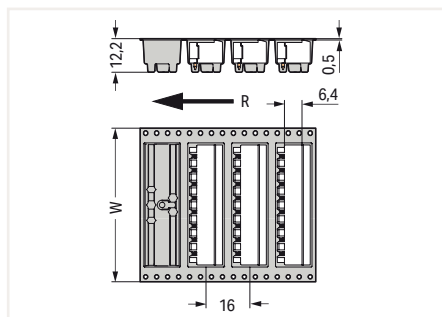
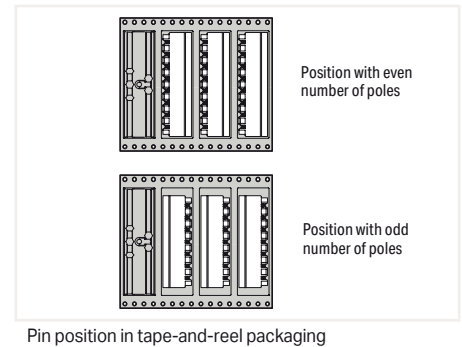
Pole No.	Tape width	Item No.	PU
2	32 mm	231-462/001-000/105-604/997-405	170
3	32 mm	231-463/001-000/105-604/997-405	170
4	56 mm	231-464/001-000/105-604/997-407	170
5	56 mm	231-465/001-000/105-604/997-407	170
6	56 mm	231-466/001-000/105-604/997-407	170
7	56 mm	231-467/001-000/105-604/997-407	170
8	56 mm	231-468/001-000/105-604/997-407	170
9	88 mm	231-469/001-000/105-604/997-409	170
10	88 mm	231-470/001-000/105-604/997-409	170
11	88 mm	231-471/001-000/105-604/997-409	170
12	88 mm	231-472/001-000/105-604/997-409	170



$L = (\text{pole no.} \times \text{pin spacing}) + 3.2 \text{ mm}$   
 $L_1 = L + 4.8 \text{ mm}$   
 $L_2 = L_1 + 7.2 \text{ mm}$



$L = (\text{pole no.} \times \text{pin spacing}) + 3.2 \text{ mm}$   
 $L_1 = L + 4.8 \text{ mm}$   
 $L_2 = L_1 + 7.2 \text{ mm}$



W = Tape width  
 R = Feed direction

PU = Packaging Unit; SPU = Subpackaging Unit; Dimensions in mm

Other variants can be requested via the WAGO sales department or, if necessary, configured at <https://configurator.wago.com/>:

- Other pole numbers
- Gold-plated or partially gold-plated contact surfaces

# THR Male Header ▶ MCS MIDI Classic ▶ 231 Series

Pin spacing: 5 mm (0.197 inch) ▶ Solder pin dimensions: 1.2 x 1.2 mm ▶ Color: black

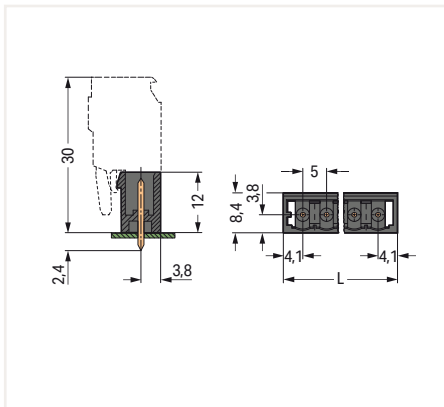
Mating direction to the PCB: 90°

Suitable for automated assembly

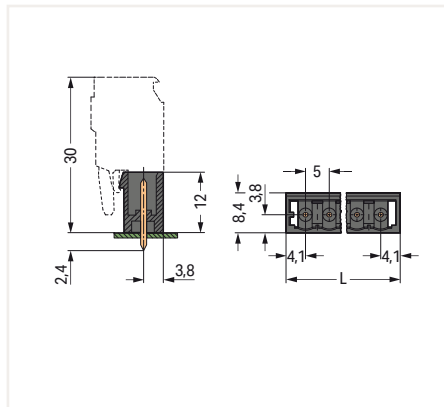


Pole No.	Item No.	PU
2	231-162/001-000/105-604	200
3	231-163/001-000/105-604	200
4	231-164/001-000/105-604	200
5	231-165/001-000/105-604	200
6	231-166/001-000/105-604	100
7	231-167/001-000/105-604	100
8	231-168/001-000/105-604	100
9	231-169/001-000/105-604	100
10	231-170/001-000/105-604	100
11	231-171/001-000/105-604	100
12	231-172/001-000/105-604	100

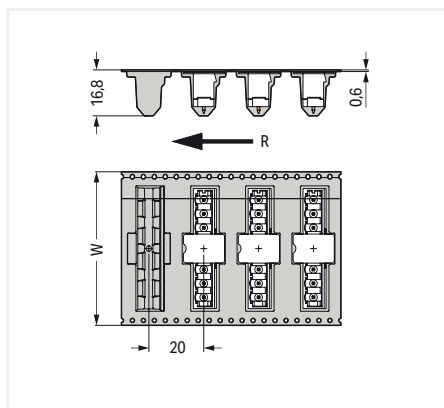
Pole No.	Tape width	Item No.	PU
2	32 mm	231-162/001-000/105-604/997-405	170
3	32 mm	231-163/001-000/105-604/997-405	170
4	56 mm	231-164/001-000/105-604/997-407	170
5	56 mm	231-165/001-000/105-604/997-407	170
6	56 mm	231-166/001-000/105-604/997-407	170
7	56 mm	231-167/001-000/105-604/997-407	170
8	56 mm	231-168/001-000/105-604/997-407	170
9	88 mm	231-169/001-000/105-604/997-409	170
10	88 mm	231-170/001-000/105-604/997-409	170
11	88 mm	231-171/001-000/105-604/997-409	170
12	88 mm	231-172/001-000/105-604/997-409	170



$L = (\text{pole no.} \times \text{pin spacing}) + 3.2 \text{ mm}$



$L = (\text{pole no.} \times \text{pin spacing}) + 3.2 \text{ mm}$



W = Tape width  
R = Feed direction

PU = Packaging Unit; SPU = Subpackaging Unit; Dimensions in mm

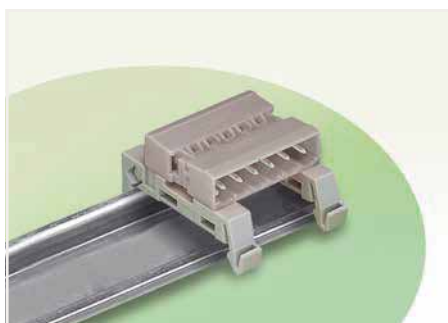
Other variants can be requested via the WAGO sales department or, if necessary, configured at <https://configurator.wago.com/>:

- Other pole numbers
- Gold-plated or partially gold-plated contact surfaces



## Double-Pin Male Connector ▶ MCS MIDI Classic ▶ 232 Series

Pin spacing: 5 mm (0.197 inch) ▶ Type of mounting: DIN-35 rail ▶ Color: gray



- Allow MCS Female Connectors fitted with wire harness or cable assembly to be plugged together
- Adapter for DIN-35 rail mounting
- Coding via coding keys on both sides

### Electrical Data

Ratings per		IEC/EN 60664-1		
Overvoltage category		III	III	II
Pollution degree		3	2	2
Rated voltage		250 V	320 V	630 V
Rated impulse voltage		4 kV	4 kV	4 kV
Rated current		12 A	12 A	12 A
Approvals per		UL 1059		
Use Group		B	C	D
Rated voltage		300 V	-	300 V
Rated current		15 A	-	10 A
Approvals per		UL 1977		
Rated voltage		600 V		
Rated current		-		
Approvals per		CSA		
Use Group		B	C	D
Rated voltage		300 V	-	300 V
Rated current		15 A	-	10 A

### Material Data

Material group	I
Insulating material	Polyamide 66 (PA 66)
Flammability class per UL94	V0
Contact material	Electrolytic copper (Ecu)
Contact plating	Tin-plated

### Environmental Requirements

Limit temperature range	-60 ... +100 °C
-------------------------	-----------------

The *MULTI CONNECTION SYSTEM (MCS)* is designed without breaking capacity for compliance with DIN EN 61984. When used as intended, MCS Connectors shall not be connected/disconnected when live or under load. The circuit design should ensure header pins, which can be touched, are not live when unmated.

Carrier rail Page 836

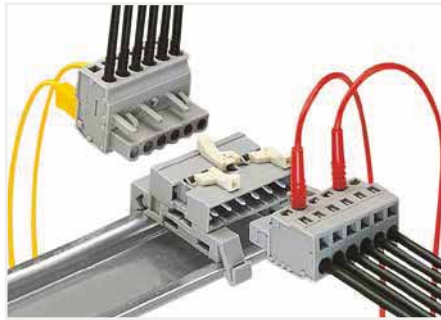
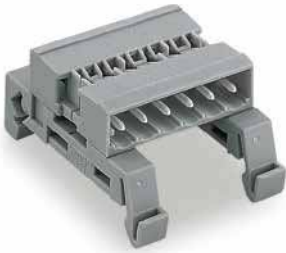
Coding Page 722

Additional information, see "Technical Section"

Approvals and corresponding ratings, visit [www.wago.com](http://www.wago.com)

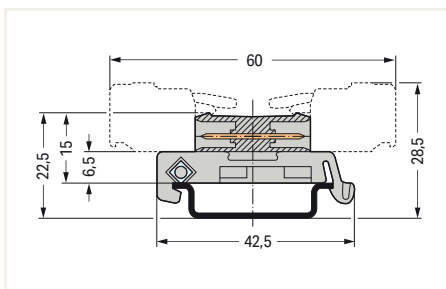
## Double-Pin Male Connector ▶ MCS MIDI Classic ▶ 232 Series

Pin spacing: 5 mm (0.197 inch) ▶ Type of mounting: DIN-35 rail ▶ Color: gray



Angled female connector – straight female connector

Pole No.	Item No.	PU
2	232-502/007-000	100
3	232-503/007-000	50
4	232-504/007-000	50
5	232-505/007-000	50
6	232-506/007-000	50
7	232-507/007-000	25
8	232-508/007-000	25
9	232-509/007-000	25
10	232-510/007-000	25
11	232-511/007-000	25
12	232-512/007-000	25
13	232-513/007-000	25
14	232-514/007-000	25
15	232-515/007-000	25
16	232-516/007-000	25
17	232-517/007-000	25
18	232-518/007-000	25
19	232-519/007-000	25
20	232-520/007-000	25
21	232-521/007-000	10
22	232-522/007-000	10
23	232-523/007-000	10
24	232-524/007-000	10



Total length = (pole no. - 1) x pin spacing + 8.2 mm

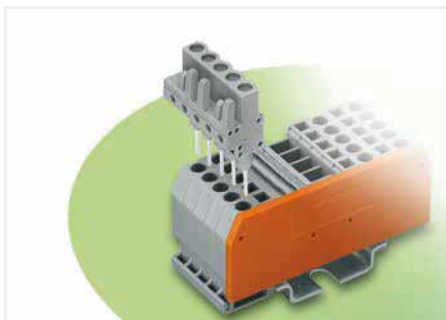
PU = Packaging Unit; SPU = Subpackaging Unit; Dimensions in mm

Other variants can be requested via the WAGO sales department or, if necessary, configured at <https://configurator.wago.com/>:

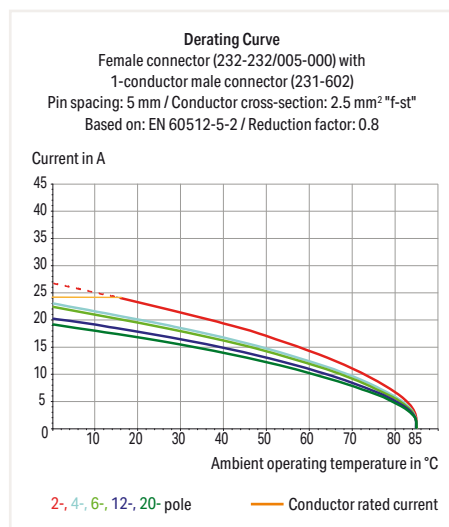
- Other pole numbers

## Female Connector for Rail-Mount Terminal Blocks ▶ MCS MIDI Classic ▶ 232 Series

Pin spacing: 5 mm (0.197 inch) ▶ Color: gray



- Pluggable connectors for rail-mount terminal blocks equipped with CAGE CLAMP® connection
- Female connectors with long contact pins connect to the termination ports of 280 Series Rail-Mount Terminal Blocks
- Female connectors are touch-proof when unmated, providing a pluggable, live output
- With coding fingers



### Electrical Data

Ratings per	IEC/EN 60664-1		
Overvoltage category	III	III	II
Pollution degree	3	2	2
Rated voltage	320 V	320 V	630 V
Rated impulse voltage	4 kV	4 kV	4 kV
Rated current	12 A	12 A	12 A
Approvals per	UL 1059		
Use Group	B	C	D
Rated voltage	300 V	-	300 V
Rated current	15 A	-	10 A
Approvals per	UL 1977		
Rated voltage	600 V		
Rated current	-		
Approvals per	CSA		
Use Group	B	C	D
Rated voltage	300 V	-	300 V
Rated current	15 A	-	10 A

### Material Data

Material group	I
Insulating material	Polyamide 66 (PA 66)
Flammability class per UL94	V0
Contact material	Copper alloy
Contact plating	Tin-plated

### Environmental Requirements

Limit temperature range	-60 ... +85 °C
-------------------------	----------------

The *MULTI CONNECTION SYSTEM (MCS)* is designed without breaking capacity for compliance with DIN EN 61984. When used as intended, MCS Connectors shall not be connected/disconnected when live or under load. The circuit design should ensure header pins, which can be touched, are not live when unmated.

Testing and measuring Page 721

Additional information, see "Technical Section"

Approvals and corresponding ratings, visit [www.wago.com](http://www.wago.com)

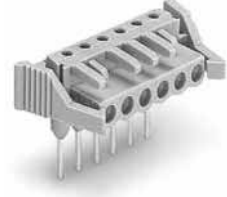
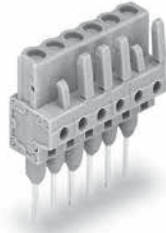
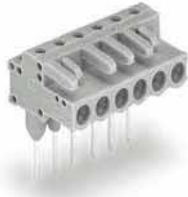
# Female Connector for Rail-Mount Terminal Blocks ▶ MCS MIDI Classic ▶ 232 Series

Pin spacing: 5 mm (0.197 inch) ▶ Color: gray

Mating direction to the rail-mount terminal block: 0°

Mating direction to the rail-mount terminal block: 90°

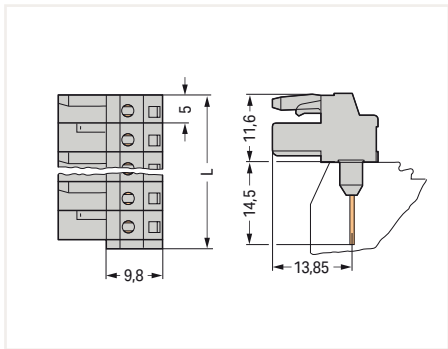
Locking of plug-in connection: locking lever ▶ Mating direction to the rail-mount terminal block: 0°



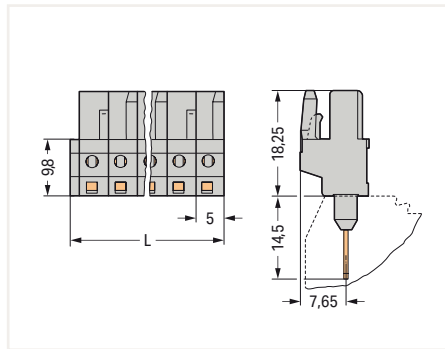
Pole No.	Item No.	PU
2	232-232/005-000	100
3	232-233/005-000	100
4	232-234/005-000	100
5	232-235/005-000	100
6	232-236/005-000	50
7	232-237/005-000	50
8	232-238/005-000	50
9	232-239/005-000	50
10	232-240/005-000	50
11	232-241/005-000	25
12	232-242/005-000	25

Pole No.	Item No.	PU
2	232-132/005-000	100
3	232-133/005-000	100
4	232-134/005-000	100
5	232-135/005-000	100
6	232-136/005-000	50
7	232-137/005-000	50
8	232-138/005-000	50
9	232-139/005-000	50
10	232-140/005-000	50
11	232-141/005-000	25
12	232-142/005-000	25

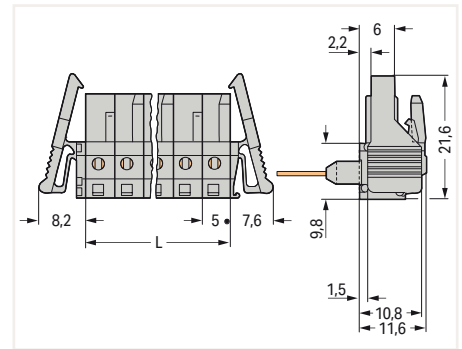
Pole No.	Item No.	PU
2	232-232/005-000/039-000	100
3	232-233/005-000/039-000	50
4	232-234/005-000/039-000	50
5	232-235/005-000/039-000	50
6	232-236/005-000/039-000	50
7	232-237/005-000/039-000	50
9	232-239/005-000/039-000	25
10	232-240/005-000/039-000	25
11	232-241/005-000/039-000	25
12	232-242/005-000/039-000	25



L = (pole no. x pin spacing) + 1.5 mm  
2- to 3-pole female connectors – one latch only



L = (pole no. x pin spacing) + 1.5 mm  
2- to 3-pole female connectors – one latch only



L = pole no. x pin spacing  
2- to 3-pole female connectors – one latch only

PU = Packaging Unit; SPU = Subpackaging Unit; Dimensions in mm

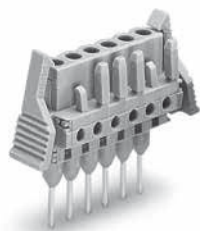
Other variants can be requested via the WAGO sales department or, if necessary, configured at <https://configurator.wago.com/>:

- Other pole numbers

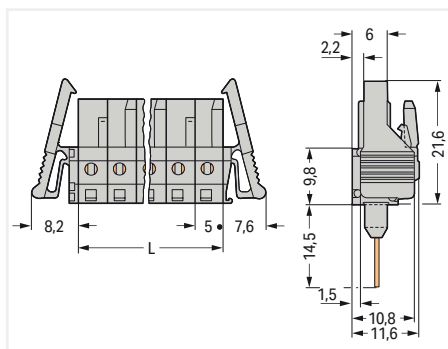
## Female Connector for Rail-Mount Terminal Blocks ▶ MCS MIDI Classic ▶ 232 Series

Pin spacing: 5 mm (0.197 inch) ▶ Color: gray

Locking of plug-in connection: locking lever ▶ Mating direction to the rail-mount terminal block: 90°



Pole No.	Item No.	PU
2	232-132/005-000/039-000	100
3	232-133/005-000/039-000	50
4	232-134/005-000/039-000	50
5	232-135/005-000/039-000	50
6	232-136/005-000/039-000	50
7	232-137/005-000/039-000	50
8	232-138/005-000/039-000	50
9	232-139/005-000/039-000	25
10	232-140/005-000/039-000	25
11	232-141/005-000/039-000	25
12	232-142/005-000/039-000	25



L = pole no. x pin spacing  
2- to 3-pole female connectors – one latch only

PU = Packaging Unit; SPU = Subpackaging Unit; Dimensions in mm

Other variants can be requested via the WAGO sales department or, if necessary, configured at <https://configurator.wago.com/>:

- Other pole numbers



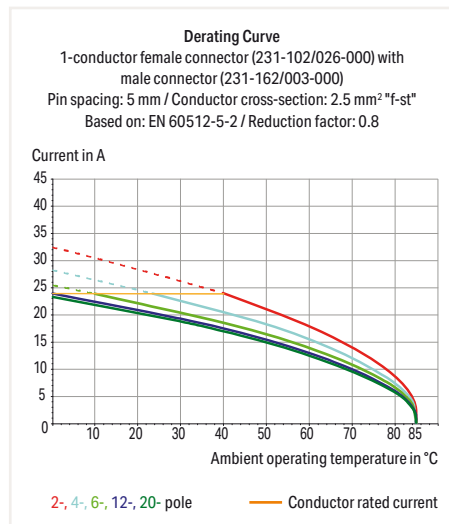


## Male Connector for Rail-Mount Terminal Blocks ▶ MCS MIDI Classic ▶ 231 Series

Pin spacing: 5 mm (0.197 inch) ▶ Color: gray



- Pluggable connectors for rail-mount terminal blocks equipped with CAGE CLAMP® connection
- Male connectors with long contact pins connect to the termination ports of 280 Series Rail-Mount Terminal Blocks
- Pins can be touched when the connector is unplugged, so power supply should be performed via terminal block (observe rated voltage!)
- With coding fingers



### Electrical Data

Ratings per	IEC/EN 60664-1		
Overvoltage category	III	III	II
Pollution degree	3	2	2
Rated voltage	250 V	320 V	630 V
Rated impulse voltage	4 kV	4 kV	4 kV
Rated current	16 A	16 A	16 A
Approvals per	UL 1059		
Use Group	B	C	D
Rated voltage	300 V	-	300 V
Rated current	15 A	-	10 A
Approvals per	UL 1977		
Rated voltage	600 V		
Rated current	-		
Approvals per	CSA		
Use Group	B	C	D
Rated voltage	300 V	-	300 V
Rated current	15 A	-	10 A

### Material Data

Material group	I
Insulating material	Polyamide 66 (PA 66)
Flammability class per UL94	V0
Contact material	Electrolytic copper (Ecu)
Contact plating	Tin-plated

### Environmental Requirements

Limit temperature range	-60 ... +100 °C
-------------------------	-----------------

The *MULTI CONNECTION SYSTEM (MCS)* is designed without breaking capacity for compliance with DIN EN 61984. When used as intended, MCS Connectors shall not be connected/disconnected when live or under load. The circuit design should ensure header pins, which can be touched, are not live when unmated.

Coding Page 722

Tools Page 721

Additional information, see "Technical Section"

Approvals and corresponding ratings, visit [www.wago.com](http://www.wago.com)

## Male connector for rail-mount terminal blocks ▶ MCS MIDI Classic ▶ 231 Series

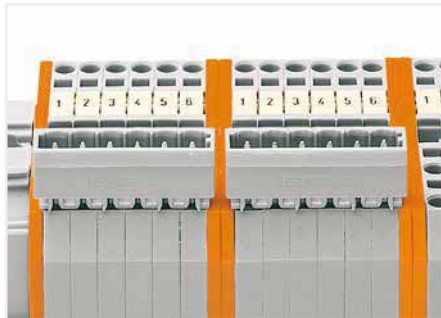
Pin spacing: 5 mm (0.197 inch) ▶ Color: gray

Mating direction to the rail-mount terminal block: 90°

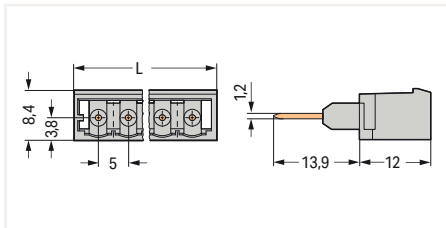


Inserting a male connector via multipole operating tool.

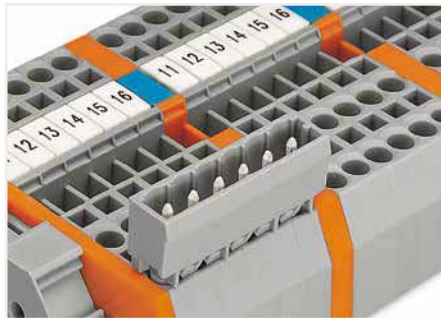
Pole No.	Item No.	PU
2	231-162/003-000	200
3	231-163/003-000	200
4	231-164/003-000	200
5	231-165/003-000	200
6	231-166/003-000	100
7	231-167/003-000	100
8	231-168/003-000	100
9	231-169/003-000	100
10	231-170/003-000	100
11	231-171/003-000	100
12	231-172/003-000	100



The extra width of the male connectors when used on front-entry, rail-mount terminal blocks must be compensated for by either two intermediate plates or rail-mount spacer block (block assembly).



$L = (\text{pole no.} - 1) \times \text{pin spacing} + 8.2 \text{ mm}$



Spacer blocks can be bridged via alternate or staggered jumpers.

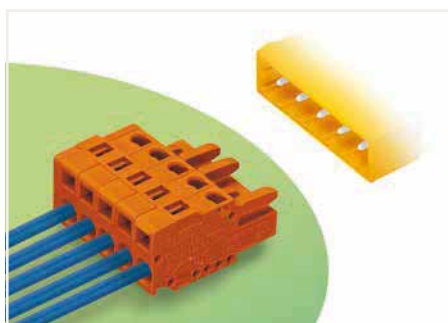
PU = Packaging Unit; SPU = Subpackaging Unit; Dimensions in mm

Other variants can be requested via the WAGO sales department or, if necessary, configured at <https://configurator.wago.com/>:

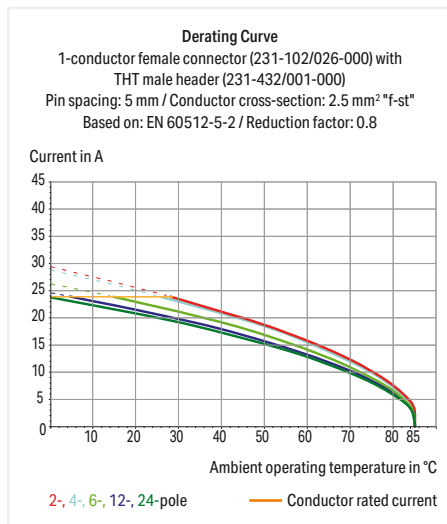
- Other pole numbers

## 1-Conductor Female Connector ▶ MCS MIDI Classic ▶ 231 Series

Pin spacing: 5.08 mm (0.2 inch) ▶ Actuation type: Operating tool ▶ CAGE CLAMP® ▶ Conductor entry direction to mating direction: 0° ▶ Color: orange



- Universal connection for all conductor types
- Easy cable pre-assembly and on-unit wiring via vertical and horizontal CAGE CLAMP® actuation
- Integrated test ports
- With coding fingers



Electrical Data			
Ratings per	IEC/EN 60664-1		
Overvoltage category	III	III	II
Pollution degree	3	2	2
Rated voltage	320 V	320 V	630 V
Rated impulse voltage	4 kV	4 kV	4 kV
Rated current	16 A	16 A	16 A
Approvals per	UL 1059		
Use Group	B	C	D
Rated voltage	300 V	-	300 V
Rated current	15 A	-	10 A
Approvals per	UL 1977		
Rated voltage	600 V		
Rated current	-		
Approvals per	CSA		
Use Group	B	C	D
Rated voltage	300 V	-	300 V
Rated current	15 A	-	10 A

Connection Data	
Connection technology	CAGE CLAMP®
Strip length	8 ... 9 mm / 0.31 ... 0.35 inch
Solid conductor	0.08 ... 2.5 mm <sup>2</sup> / 28 ... 12 AWG
Fine-stranded conductor	0.08 ... 2.5 mm <sup>2</sup> / 28 ... 12 AWG
Fine-stranded conductor with ferrule with plastic collar	0.25 ... 1.5 mm <sup>2</sup>
Fine-stranded conductor with ferrule without plastic collar	0.25 ... 2.5 mm <sup>2</sup>

Material Data	
Material group	I
Insulating material	Polyamide 66 (PA 66)
Flammability class per UL94	V0
Clamping spring material	Chrome nickel spring steel (CrNi)
Contact material	Copper alloy
Contact plating	Tin-plated

Environmental Requirements	
Limit temperature range	-60 ... +85 °C

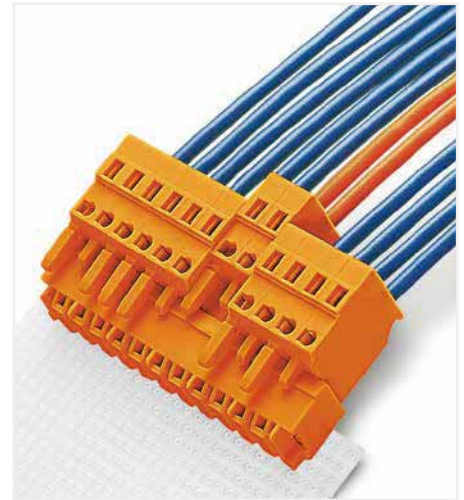
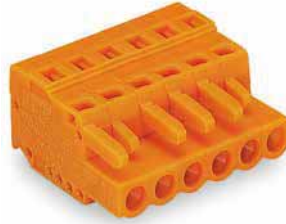
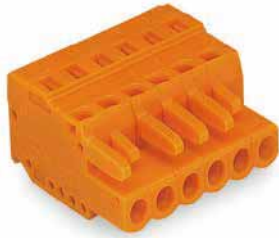
The *MULTI CONNECTION SYSTEM (MCS)* is designed without breaking capacity for compliance with DIN EN 61984. When used as intended, MCS Connectors shall not be connected/disconnected when live or under load. The circuit design should ensure header pins, which can be touched, are not live when unmated.

Ferrule	Page 847
General accessory	Page 723
Insulation stop	Page 723
Jumper	Page 729
Marking	Page 833
Mounting	Page 723, 837
Mounting adapter	Page 729
Strain relief	Page 726
Testing and measuring	Page 721, 854
Tools	Page 720, 838
Direct marking	Page 712
Cutout dimensions	Page 716
Additional information, see "Technical Section"	
Approvals and corresponding ratings, visit <a href="http://www.wago.com">www.wago.com</a>	

### 1-Conductor Female Connector ▶ MCS MIDI Classic ▶ 231 Series

Pin spacing: 5.08 mm (0.2 inch) ▶ Actuation type: Operating tool ▶ CAGE CLAMP® ▶ Conductor entry direction to mating direction: 0° ▶ Color: orange

Plugging without loss of pin spacing

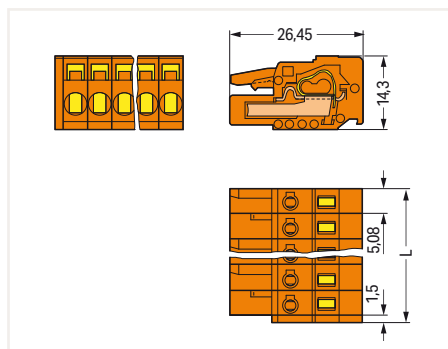


Total pole number for female connectors = pole number for male header

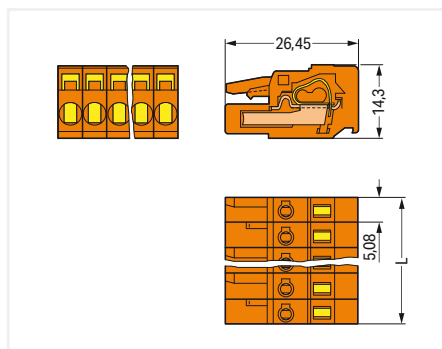
Pole No.	Item No.	PU	Pole No.	Item No.	PU
2	231-302/026-000	100	2	231-302/102-000	100
3	231-303/026-000	100	3	231-303/102-000	100
4	231-304/026-000	100	4	231-304/102-000	100
5	231-305/026-000	100	5	231-305/102-000	100
6	231-306/026-000	50	6	231-306/102-000	50
7	231-307/026-000	50	7	231-307/102-000	50
8	231-308/026-000	50	8	231-308/102-000	50
9	231-309/026-000	50	9	231-309/102-000	50
10	231-310/026-000	50	10	231-310/102-000	50
11	231-311/026-000	25	11	231-311/102-000	25
12	231-312/026-000	25	12	231-312/102-000	25
13	231-313/026-000	25	13	231-313/102-000	25
14	231-314/026-000	25	14	231-314/102-000	25
15	231-315/026-000	25	15	231-315/102-000	25
16	231-316/026-000	25	16	231-316/102-000	25
17	231-317/026-000	25	17	231-317/102-000	25
18	231-318/026-000	10	18	231-318/102-000	10
19	231-319/026-000	10	19	231-319/102-000	10
20	231-320/026-000	10	20	231-320/102-000	10
21	231-321/026-000	10	21	231-321/102-000	10
22	231-322/026-000	10	22	231-322/102-000	10
23	231-323/026-000	10	23	231-323/102-000	10
24	231-324/026-000	10	24	231-324/102-000	10



Female connectors with a built-in end plate require no extra space, while maintaining the nominal cross-section. This means: Total length of female connectors is reduced to „pole no. x pin spacing“!



L = (pole no. x pin spacing) + 1.5 mm  
2- to 3-pole female connectors – one latch only



L = pole no. x pin spacing  
2- to 3-pole female connectors – one latch only

PU = Packaging Unit; SPU = Subpackaging Unit; Dimensions in mm

Other variants can be requested via the WAGO sales department or, if necessary, configured at <https://configurator.wago.com/>:

- Gold-plated or partially gold-plated contact surfaces

**1-Conductor Female Connector ▶ MCS MIDI Classic ▶ 231 Series**

Pin spacing: 5.08 mm (0.2 inch) ▶ Actuation type: Operating tool ▶ CAGE CLAMP® ▶ Conductor entry direction to mating direction: 0° ▶ Color: orange

Locking of plug-in connection: locking lever

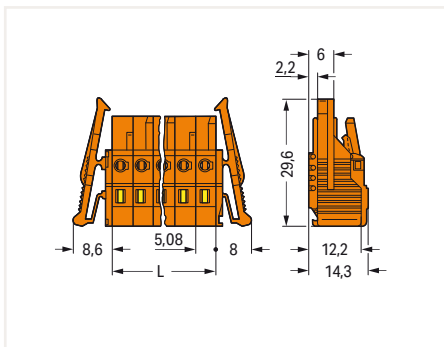
Locking of plug-in connection: Screw flange



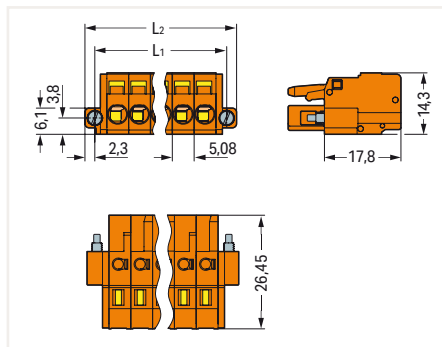
Pole No.	Item No.	PU
2	231-302/037-000	100
3	231-303/037-000	50
4	231-304/037-000	50
5	231-305/037-000	50
6	231-306/037-000	50
7	231-307/037-000	50
8	231-308/037-000	25
9	231-309/037-000	25
10	231-310/037-000	25
11	231-311/037-000	25
12	231-312/037-000	25
13	231-313/037-000	25
14	231-314/037-000	25
15	231-315/037-000	25
16	231-316/037-000	10
17	231-317/037-000	10
18	231-318/037-000	10
19	231-319/037-000	10
20	231-320/037-000	10
21	231-321/037-000	10
22	231-322/037-000	10
23	231-323/037-000	10
24	231-324/037-000	10

Pole No.	Item No.	PU
2	231-302/107-000	100
3	231-303/107-000	100
4	231-304/107-000	50
5	231-305/107-000	50
6	231-306/107-000	50
7	231-307/107-000	50
8	231-308/107-000	50
9	231-309/107-000	25
10	231-310/107-000	25
12	231-312/107-000	25
14	231-314/107-000	25
15	231-315/107-000	25
16	231-316/107-000	25

9



$L = \text{pole no.} \times \text{pin spacing}$   
2- to 3-pole female connectors – one latch only



$L_1 = (\text{pole no.} \times \text{pin spacing}) + 5.4 \text{ mm}$   
 $L_2 = (\text{pole no.} \times \text{pin spacing}) + 10 \text{ mm}$   
2- to 3-pole female connectors – one latch only

PU = Packaging Unit; SPU = Subpackaging Unit; Dimensions in mm

Other variants can be requested via the WAGO sales department or, if necessary, configured at <https://configurator.wago.com/>:

- Gold-plated or partially gold-plated contact surfaces

# 1-Conductor Female Connector ▶ MCS MIDI Classic ▶ 231 Series

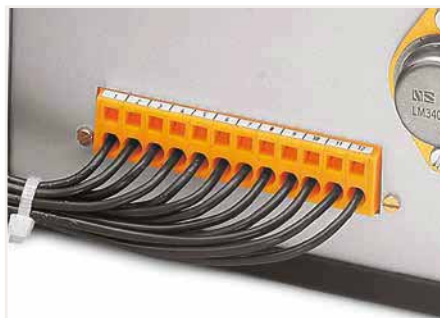
Pin spacing: 5.08 mm (0.2 inch) ▶ Actuation type: Operating tool ▶ CAGE CLAMP® ▶ Conductor entry direction to mating direction: 0° ▶ Color: orange

Type of mounting: Feed-through mounting, Panel mounting ▶ Mounting type: Mounting flange



Female connectors with mounting flanges can be used as PCB through-panel connectors – conductor termination parallel to CAGE CLAMP® actuation.

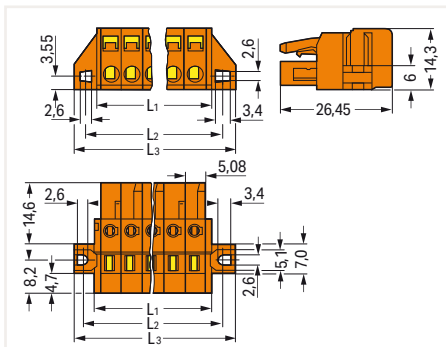
Pole No.	Item No.	PU
2	231-302/031-000	100
3	231-303/031-000	50
4	231-304/031-000	50
5	231-305/031-000	50
6	231-306/031-000	50
7	231-307/031-000	50
8	231-308/031-000	50
9	231-309/031-000	25
10	231-310/031-000	25
11	231-311/031-000	25
12	231-312/031-000	25
13	231-313/031-000	25
14	231-314/031-000	25
15	231-315/031-000	25
16	231-316/031-000	10
17	231-317/031-000	10
18	231-318/031-000	10
19	231-319/031-000	10
20	231-320/031-000	10
21	231-321/031-000	10
22	231-322/031-000	10
23	231-323/031-000	10
24	231-324/031-000	10



PCB female connectors with mounting flanges can be used as through-panel connectors for external wiring.



16-pole female connector with mounting flanges in a 19" rack – conductor termination parallel to CAGE CLAMP® actuation



$L_1 = (\text{pole no.} \times \text{pin spacing}) + 3 \text{ mm}$   
 $L_2 = (\text{pole no.} \times \text{pin spacing}) + 8.8 \text{ mm}$   
 $L_3 = (\text{pole no.} \times \text{pin spacing}) + 14.8 \text{ mm}$   
 2- to 3-pole female connectors – one latch only

PU = Packaging Unit; SPU = Subpackaging Unit; Dimensions in mm

Other variants can be requested via the WAGO sales department or, if necessary, configured at <https://configurator.wago.com/>:

- Gold-plated or partially gold-plated contact surfaces

**1-Conductor Female Connector ▶ MCS MIDI Classic ▶ 231 Series**

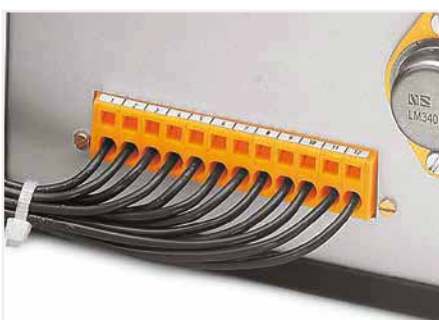
Pin spacing: 5.08 mm (0.2 inch) ▶ Actuation type: Operating tool ▶ CAGE CLAMP® ▶ Conductor entry direction to mating direction: 0° ▶ Color: orange

Type of mounting: Feed-through mounting, Panel mounting ▶ Mounting type: Mounting flange ▶ with reinforcing strip



Female connectors with mounting flanges can be used as PCB through-panel connectors – conductor termination parallel to CAGE CLAMP® actuation.

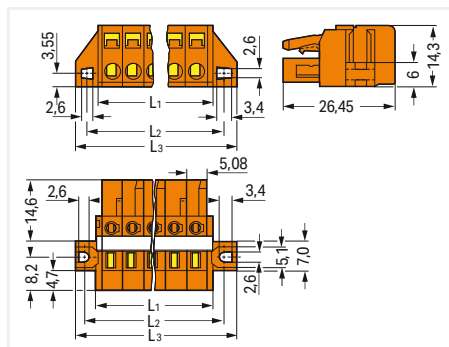
Pole No.	Item No.	PU
6	231-306/027-000	50
7	231-307/027-000	50
8	231-308/027-000	50
9	231-309/027-000	25
10	231-310/027-000	25
11	231-311/027-000	25
12	231-312/027-000	25
13	231-313/027-000	25
14	231-314/027-000	25
15	231-315/027-000	25
16	231-316/027-000	10
17	231-317/027-000	10
18	231-318/027-000	10
19	231-319/027-000	10
20	231-320/027-000	10
21	231-321/027-000	10
22	231-322/027-000	10
23	231-323/027-000	10
24	231-324/027-000	10



PCB female connectors with mounting flanges can be used as through-panel connectors for external wiring.



16-pole female connector with mounting flanges in a 19" rack – conductor termination parallel to CAGE CLAMP® actuation



$L_1 = (\text{pole no.} \times \text{pin spacing}) + 3 \text{ mm}$

$L_2 = (\text{pole no.} \times \text{pin spacing}) + 8,8 \text{ mm}$

$L_3 = (\text{pole no.} \times \text{pin spacing}) + 14,8 \text{ mm}$

2- to 3-pole female connectors – one latch only

PU = Packaging Unit; SPU = Subpackaging Unit; Dimensions in mm

Other variants can be requested via the WAGO sales department or, if necessary, configured at <https://configurator.wago.com/>:

- Gold-plated or partially gold-plated contact surfaces



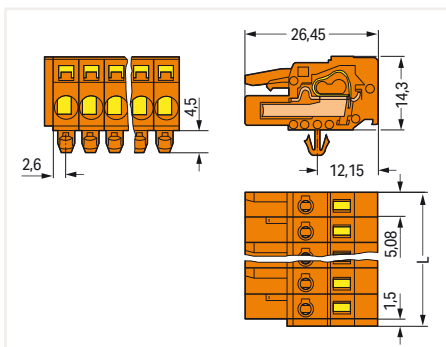
## 1-Conductor Female Connector ▶ MCS MIDI Classic ▶ 231 Series

Pin spacing: 5.08 mm (0.2 inch) ▶ Actuation type: Operating tool ▶ CAGE CLAMP® ▶ Conductor entry direction to mating direction: 0° ▶ Color: orange

Type of mounting: Panel mounting ▶ Mounting type:  
Snap-in mounting foot



Pole No.	Item No.	PU
2	231-302/008-000	100
3	231-303/008-000	100
4	231-304/008-000	100
5	231-305/008-000	100
6	231-306/008-000	50
7	231-307/008-000	50
8	231-308/008-000	50
9	231-309/008-000	50
10	231-310/008-000	50
11	231-311/008-000	25
12	231-312/008-000	25
13	231-313/008-000	25
14	231-314/008-000	25
15	231-315/008-000	25
16	231-316/008-000	25
17	231-317/008-000	25
18	231-318/008-000	10
19	231-319/008-000	10
20	231-320/008-000	10
21	231-321/008-000	10
22	231-322/008-000	10
23	231-323/008-000	10
24	231-324/008-000	10



$L = (\text{pole no.} \times \text{pin spacing}) + 1.5 \text{ mm}$

2- to 3-pole female connectors – one latch only

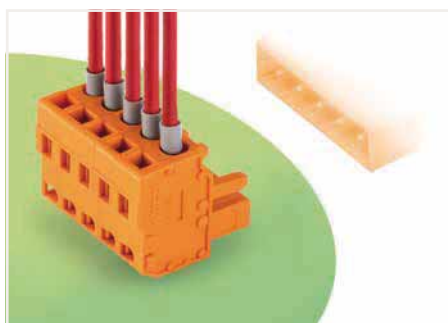
PU = Packaging Unit; SPU = Subpackaging Unit; Dimensions in mm

Other variants can be requested via the WAGO sales department or, if necessary, configured at <https://configurator.wago.com/>:

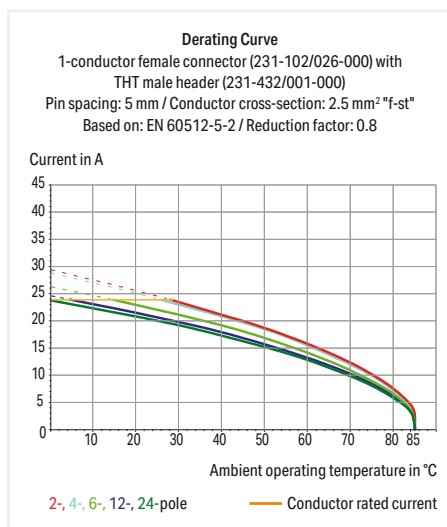
- Gold-plated or partially gold-plated contact surfaces

## 1-Conductor Female Connector ▶ MCS MIDI Classic ▶ 232 Series

Pin spacing: 5.08 mm (0.2 inch) ▶ Actuation type: Operating tool ▶ CAGE CLAMP® ▶ Color: orange



- Universal connection for all conductor types
- Easy cable pre-assembly and on-unit wiring via vertical and horizontal CAGE CLAMP® actuation
- Integrated test ports
- With coding fingers



### Electrical Data

Ratings per	IEC/EN 60664-1		
Overvoltage category	III	III	II
Pollution degree	3	2	2
Rated voltage	320 V	320 V	630 V
Rated impulse voltage	4 kV	4 kV	4 kV
Rated current	14 A	14 A	14 A
Approvals per	UL 1059		
Use Group	B	C	D
Rated voltage	300 V	-	300 V
Rated current	15 A	-	10 A
Approvals per	UL 1977		
Rated voltage	600 V		
Rated current	-		
Approvals per	CSA		
Use Group	B	C	D
Rated voltage	300 V	-	300 V
Rated current	15 A	-	10 A

### Connection Data

Connection technology	CAGE CLAMP®
Strip length	8 ... 9 mm / 0.31 ... 0.35 inch
Solid conductor	0.08 ... 2.5 mm <sup>2</sup> / 28 ... 12 AWG
Fine-stranded conductor	0.08 ... 2.5 mm <sup>2</sup> / 28 ... 12 AWG
Fine-stranded conductor with ferrule with plastic collar	0.25 ... 1.5 mm <sup>2</sup>
Fine-stranded conductor with ferrule without plastic collar	0.25 ... 2.5 mm <sup>2</sup>

### Material Data

Material group	I
Insulating material	Polyamide 66 (PA 66)
Flammability class per UL94	V0
Clamping spring material	Chrome nickel spring steel (CrNi)
Contact material	Copper alloy
Contact plating	Tin-plated

### Environmental Requirements

Limit temperature range	-60 ... +100 °C
-------------------------	-----------------

The *MULTI CONNECTION SYSTEM (MCS)* is designed without breaking capacity for compliance with DIN EN 61984. When used as intended, MCS Connectors shall not be connected/disconnected when live or under load. The circuit design should ensure header pins, which can be touched, are not live when unmated.

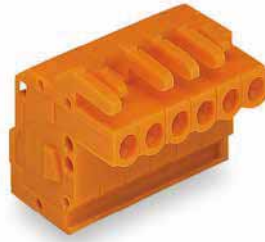
Ferrule	Page 847
General accessory	Page 723
Insulation stop	Page 723
Jumper	Page 729
Marking	Page 833
Strain relief	Page 726
Testing and measuring	Page 721, 854
Tools	Page 720
Direct marking	Page 712
Additional information, see "Technical Section"	
Approvals and corresponding ratings, visit <a href="http://www.wago.com">www.wago.com</a>	

# 1-Conductor Female Connector ▶ MCS MIDI Classic ▶ 232 Series

Pin spacing: 5.08 mm (0.2 inch) ▶ Actuation type: Operating tool ▶ CAGE CLAMP® ▶ Color: orange

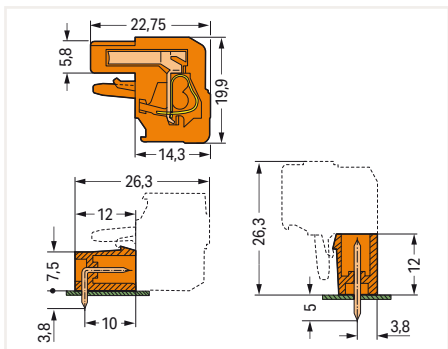
Conductor entry direction to mating direction: 90°

Conductor entry direction to mating direction: 270°

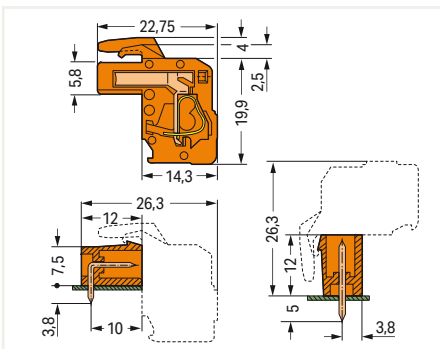


Pole No.	Item No.	PU
2	232-402/026-000	100
3	232-403/026-000	100
4	232-404/026-000	100
5	232-405/026-000	100
6	232-406/026-000	50
7	232-407/026-000	50
8	232-408/026-000	50
9	232-409/026-000	50
10	232-410/026-000	50
11	232-411/026-000	25
12	232-412/026-000	25
13	232-413/026-000	25
14	232-414/026-000	25
15	232-415/026-000	25
16	232-416/026-000	25
17	232-417/026-000	25
18	232-418/026-000	10
19	232-419/026-000	10
20	232-420/026-000	10
21	232-421/026-000	10
22	232-422/026-000	10
23	232-423/026-000	10
24	232-424/026-000	10

Pole No.	Item No.	PU
2	232-302/026-000	100
3	232-303/026-000	100
4	232-304/026-000	100
5	232-305/026-000	100
6	232-306/026-000	50
7	232-307/026-000	50
8	232-308/026-000	50
9	232-309/026-000	50
10	232-310/026-000	50
11	232-311/026-000	25
12	232-312/026-000	25
13	232-313/026-000	25
14	232-314/026-000	25
15	232-315/026-000	25
16	232-316/026-000	25
17	232-317/026-000	25
18	232-318/026-000	10
19	232-319/026-000	10
20	232-320/026-000	10
21	232-321/026-000	10
22	232-322/026-000	10
23	232-323/026-000	10
24	232-324/026-000	10



Total length = (pole no. x pin spacing) + 1.5 mm + 0.9 mm  
2- to 3-pole female connectors – one latch only



Total length = (pole no. x pin spacing) + 1.5 mm + 0.9 mm  
2- to 3-pole female connectors – one latch only

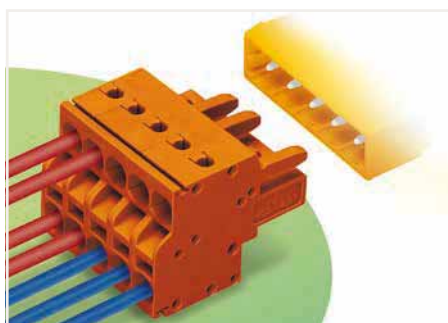
PU = Packaging Unit; SPU = Subpackaging Unit; Dimensions in mm

Other variants can be requested via the WAGO sales department or, if necessary, configured at <https://configurator.wago.com/>:

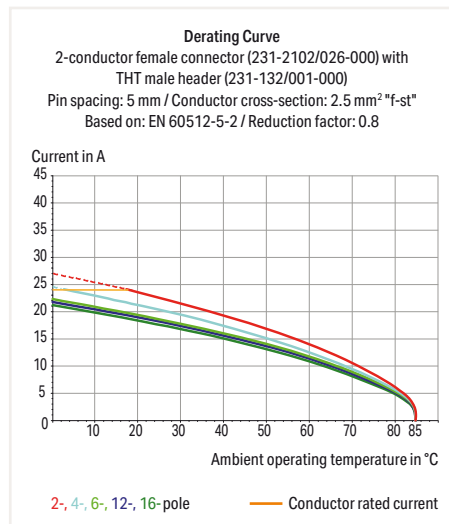
- Gold-plated or partially gold-plated contact surfaces

## 2-Conductor Female Connector ▶ MCS MIDI Classic ▶ 231 Series

Pin spacing: 5.08 mm (0.2 inch) ▶ Actuation type: Operating tool ▶ Push-in CAGE CLAMP® ▶ Conductor entry direction to mating direction: 0° ▶ Color: orange



- Universal connection for all conductor types
- Two conductor entries per pole
- For looping through power or Data buses
- Bus connection is retained, even when unmated
- Push-in termination of solid and ferruled conductors
- With coding fingers



### Electrical Data

Ratings per	IEC/EN 60664-1		
Overvoltage category	III	III	II
Pollution degree	3	2	2
Rated voltage	320 V	320 V	630 V
Rated impulse voltage	4 kV	4 kV	4 kV
Rated current	16 A	16 A	16 A
Approvals per	UL 1059		
Use Group	B	C	D
Rated voltage	300 V	-	300 V
Rated current	20 A	-	10 A
Approvals per	UL 1977		
Rated voltage	600 V		
Rated current	-		
Approvals per	CSA		
Use Group	B	C	D
Rated voltage	300 V	-	300 V
Rated current	15 A	-	10 A

### Connection Data

Connection technology	Push-in CAGE CLAMP®
Strip length	9 ... 10 mm / 0.35 ... 0.39 inch
Solid conductor	0.2 ... 2.5 mm <sup>2</sup> / 24 ... 12 AWG
Fine-stranded conductor	0.2 ... 2.5 mm <sup>2</sup> / 24 ... 12 AWG
Fine-stranded conductor with ferrule with plastic collar	0.25 ... 1.5 mm <sup>2</sup>
Fine-stranded conductor with ferrule without plastic collar	0.25 ... 2.5 mm <sup>2</sup>

### Material Data

Material group	I
Insulating material	Polyamide 66 (PA 66)
Flammability class per UL94	V0
Clamping spring material	Chrome nickel spring steel (CrNi)
Contact material	Copper alloy
Contact plating	Tin-plated

### Environmental Requirements

Limit temperature range	-60 ... +85 °C
-------------------------	----------------

The *MULTI CONNECTION SYSTEM (MCS)* is designed without breaking capacity for compliance with DIN EN 61984. When used as intended, MCS Connectors shall not be connected/disconnected when live or under load. The circuit design should ensure header pins, which can be touched, are not live when unmated.

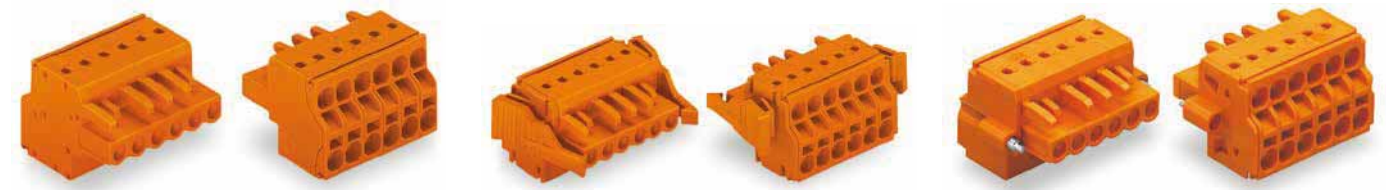
Ferrule	Page 847
Insulation stop	Page 723
Marking	Page 833
Strain relief	Page 725
Testing and measuring	Page 721
Tools	Page 721, 838
Direct marking	Page 712
Additional information, see "Technical Section"	
Approvals and corresponding ratings, visit <a href="http://www.wago.com">www.wago.com</a>	

## 2-Conductor Female Connector ▶ MCS MIDI Classic ▶ 231 Series

Pin spacing: 5.08 mm (0.2 inch) ▶ Actuation type: Operating tool ▶ Push-in CAGE CLAMP® ▶ Conductor entry direction to mating direction: 0° ▶ Color: orange

Locking of plug-in connection: locking lever

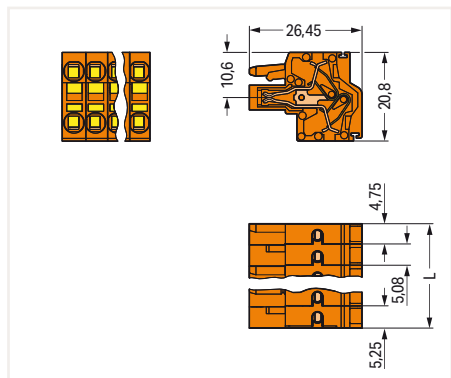
Locking of plug-in connection: Screw flange



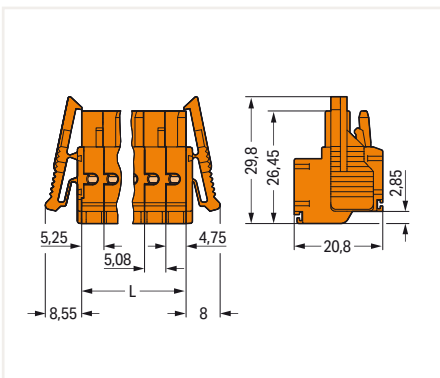
Pole No.	Item No.	PU
2	231-2302/026-000	100
3	231-2303/026-000	100
4	231-2304/026-000	100
5	231-2305/026-000	50
6	231-2306/026-000	50
7	231-2307/026-000	50
8	231-2308/026-000	50
9	231-2309/026-000	50
10	231-2310/026-000	50
11	231-2311/026-000	25
12	231-2312/026-000	25
13	231-2313/026-000	25
14	231-2314/026-000	25
15	231-2315/026-000	25
16	231-2316/026-000	25

Pole No.	Item No.	PU
2	231-2302/037-000	100
3	231-2303/037-000	50
4	231-2304/037-000	50
5	231-2305/037-000	50
6	231-2306/037-000	50
7	231-2307/037-000	50
8	231-2308/037-000	25
9	231-2309/037-000	25
10	231-2310/037-000	25
11	231-2311/037-000	25
12	231-2312/037-000	25
13	231-2313/037-000	25
14	231-2314/037-000	25
15	231-2315/037-000	25
16	231-2316/037-000	10

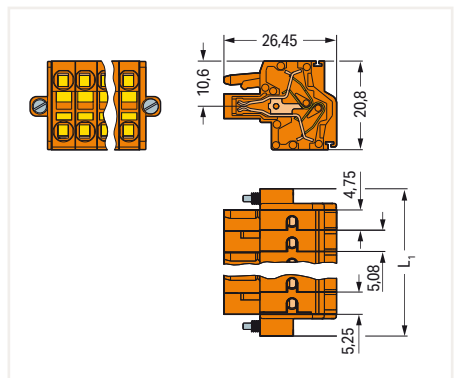
Pole No.	Item No.	PU
2	231-2302/107-000	100
3	231-2303/107-000	100
4	231-2304/107-000	50
5	231-2305/107-000	50
6	231-2306/107-000	50
7	231-2307/107-000	50
8	231-2308/107-000	50
9	231-2309/107-000	25
10	231-2310/107-000	25
12	231-2312/107-000	25
14	231-2314/107-000	25
15	231-2315/107-000	25
16	231-2316/107-000	10



L = (pole no. - 2) x pin spacing + 10 mm  
2- to 3-pole female connectors – one latch only



L = (pole no. - 2) x pin spacing + 10 mm  
2- to 3-pole female connectors – one latch only



L1 = (pole no. - 2) x pin spacing + 20 mm  
2- to 3-pole female connectors – one latch only

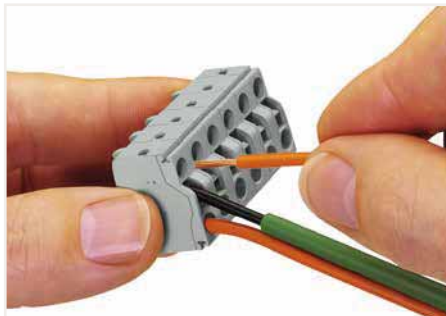
PU = Packaging Unit; SPU = Subpackaging Unit; Dimensions in mm

Other variants can be requested via the WAGO sales department or, if necessary, configured at <https://configurator.wago.com/>:

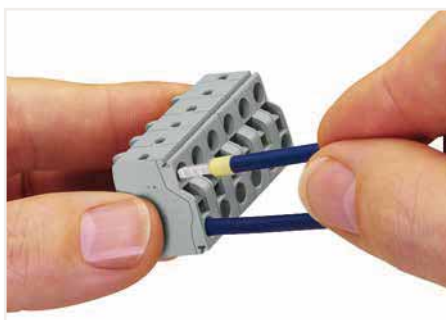
- Gold-plated or partially gold-plated contact surfaces

## 2-Conductor Female Connector ▶ MCS MIDI Classic ▶ 231 Series

Pin spacing: 5.08 mm (0.2 inch) ▶ Actuation type: Operating tool ▶ Push-in CAGE CLAMP® ▶ Conductor entry direction to mating direction: 0° ▶ Color: orange



Operating Push-in CAGE CLAMP® is easy, fast and identical to that of CAGE CLAMP®. The screwdriver is fully inserted into the operating slot, holding Push-in CAGE CLAMP® open. After the conductor has been inserted into the clamping unit and the screwdriver been withdrawn, the conductor is clamped safely. Solid and fine-stranded conductors <math>< 0.5 \text{ mm}^2</math> (20 AWG) are terminated and removed using a screwdriver.

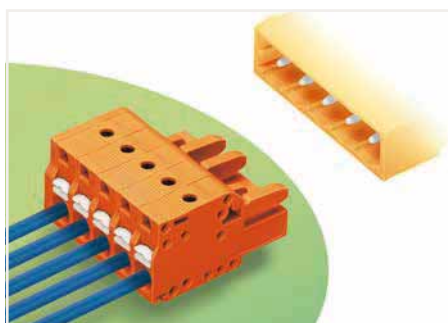


Solid conductors  $\geq 0.5 \text{ mm}^2$  (20 AWG), as well as feruled, fine-stranded conductors can be terminated by simply pushing them into unit. Integrated test ports allow touch contact with current bar via test probes in both horizontal and vertical directions.

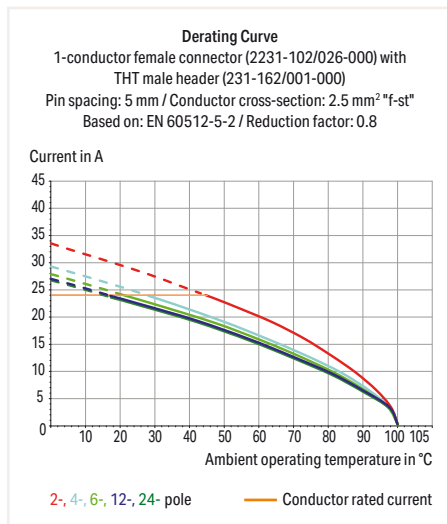


## 1-Conductor Female Connector ▶ MCS MIDI Classic ▶ 2231 Series

Pin spacing: 5.08 mm (0.2 inch) ▶ Actuation type: Push-button ▶ Push-in CAGE CLAMP® ▶ Conductor entry direction to mating direction: 0° ▶ Color: orange



- Universal connection for all conductor types
- Easy-to-use design does not require specialty tools
- Ability to wire while mated
- Push-in termination of solid and ferruled conductors
- Integrated test ports for testing parallel to the conductor entry
- With coding fingers



### Electrical Data

Ratings per	IEC/EN 60664-1		
Overvoltage category	III	III	II
Pollution degree	3	2	2
Rated voltage	320 V	320 V	630 V
Rated impulse voltage	4 kV	4 kV	4 kV
Rated current	16 A	16 A	16 A
Approvals per	UL 1059		
Use Group	B	C	D
Rated voltage	300 V	150 V	300 V
Rated current	15 A	15 A	10 A
Approvals per	UL 1977		
Rated voltage	600 V		
Rated current	-		
Approvals per	CSA		
Use Group	B	C	D
Rated voltage	300 V	150 V	300 V
Rated current	15 A	15 A	10 A

### Connection Data

Connection technology	Push-in CAGE CLAMP®
Strip length	10 ... 11 mm / 0.39 ... 0.43 inch
Solid conductor	0.2 ... 2.5 mm <sup>2</sup> / 24 ... 12 AWG
Fine-stranded conductor	0.2 ... 2.5 mm <sup>2</sup> / 24 ... 12 AWG
Fine-stranded conductor with ferrule with plastic collar	0.25 ... 1.5 mm <sup>2</sup>
Fine-stranded conductor with ferrule without plastic collar	0.25 ... 2.5 mm <sup>2</sup>

### Material Data

Material group	I
Insulating material	Polyamide 66 (PA 66)
Flammability class per UL94	V0
Clamping spring material	Chrome nickel spring steel (CrNi)
Contact material	Copper alloy
Contact plating	Tin-plated

### Environmental Requirements

Limit temperature range	-60 ... +100 °C
-------------------------	-----------------

The *MULTI CONNECTION SYSTEM (MCS)* is designed without breaking capacity for compliance with DIN EN 61984. When used as intended, MCS Connectors shall not be connected/disconnected when live or under load. The circuit design should ensure header pins, which can be touched, are not live when unmated.

Ferrule	Page 847
Insulation stop	Page 723
Marking	Page 833
Mounting	Page 723, 837
Mounting adapter	Page 729
Strain relief	Page 725
Testing and measuring	Page 721, 854
Tools	Page 838
Direct marking	Page 712
Cutout dimensions	Page 716
Additional information, see "Technical Section"	
Approvals and corresponding ratings, visit <a href="http://www.wago.com">www.wago.com</a>	

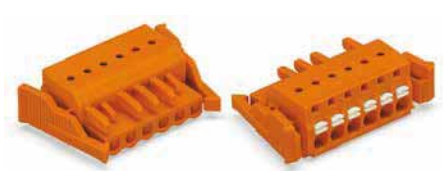
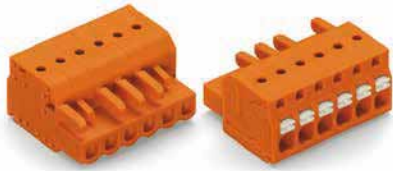


### 1-Conductor Female Connector ▶ MCS MIDI Classic ▶ 2231 Series

Pin spacing: 5.08 mm (0.2 inch) ▶ Actuation type: Push-button ▶ Push-in CAGE CLAMP® ▶ Conductor entry direction to mating direction: 0° ▶ Color: orange

Plugging without loss of pin spacing

Locking of plug-in connection: locking lever

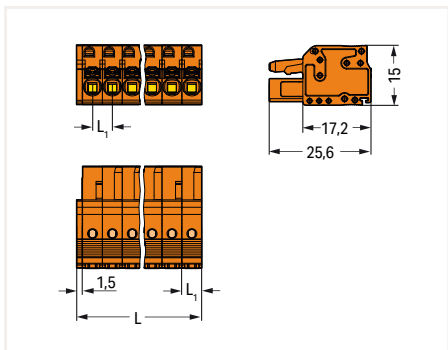


Pole No.	Item No.	PU
2	2231-302/026-000	100
3	2231-303/026-000	100
4	2231-304/026-000	100
5	2231-305/026-000	100
6	2231-306/026-000	50
7	2231-307/026-000	50
8	2231-308/026-000	50
9	2231-309/026-000	50
10	2231-310/026-000	50
11	2231-311/026-000	25
12	2231-312/026-000	25
13	2231-313/026-000	25
14	2231-314/026-000	25
15	2231-315/026-000	25
16	2231-316/026-000	25
17	2231-317/026-000	25
18	2231-318/026-000	10
19	2231-319/026-000	10
20	2231-320/026-000	10
21	2231-321/026-000	10
22	2231-322/026-000	10
23	2231-323/026-000	10
24	2231-324/026-000	10

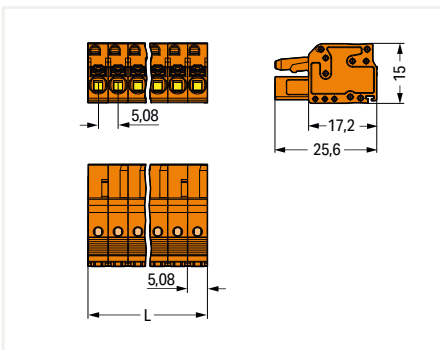
Pole No.	Item No.	PU
2	2231-302/102-000	100
3	2231-303/102-000	100
4	2231-304/102-000	100
5	2231-305/102-000	100
6	2231-306/102-000	50
7	2231-307/102-000	50
8	2231-308/102-000	50
9	2231-309/102-000	50
10	2231-310/102-000	50
11	2231-311/102-000	25
12	2231-312/102-000	25
13	2231-313/102-000	25
14	2231-314/102-000	25
15	2231-315/102-000	25
16	2231-316/102-000	25
17	2231-317/102-000	25
18	2231-318/102-000	10
19	2231-319/102-000	10
20	2231-320/102-000	10
21	2231-321/102-000	10
22	2231-322/102-000	10
23	2231-323/102-000	10
24	2231-324/102-000	10

Pole No.	Item No.	PU
2	2231-302/037-000	100
3	2231-303/037-000	50
4	2231-304/037-000	50
5	2231-305/037-000	50
6	2231-306/037-000	50
7	2231-307/037-000	50
8	2231-308/037-000	25
9	2231-309/037-000	25
10	2231-310/037-000	25
11	2231-311/037-000	25
12	2231-312/037-000	25
13	2231-313/037-000	25
14	2231-314/037-000	25
15	2231-315/037-000	25
16	2231-316/037-000	10
17	2231-317/037-000	10
18	2231-318/037-000	10
19	2231-319/037-000	10
20	2231-320/037-000	10
21	2231-321/037-000	10
22	2231-322/037-000	10
23	2231-323/037-000	10
24	2231-324/037-000	10

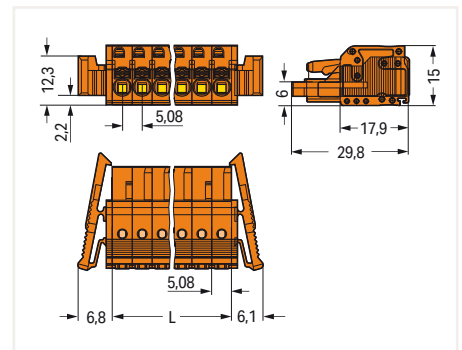
9



L = (pole no. x pin spacing) + 1.5 mm  
 L<sub>1</sub> = 5.08 mm  
 2- to 3-pole female connectors – one latch only



L = pole no. x pin spacing  
 2- to 3-pole female connectors – one latch only



L = pole no. x pin spacing  
 2- to 3-pole female connectors – one latch only

PU = Packaging Unit; SPU = Subpackaging Unit; Dimensions in mm

Other variants can be requested via the WAGO sales department or, if necessary, configured at <https://configurator.wago.com/>:

- Gold-plated or partially gold-plated contact surfaces

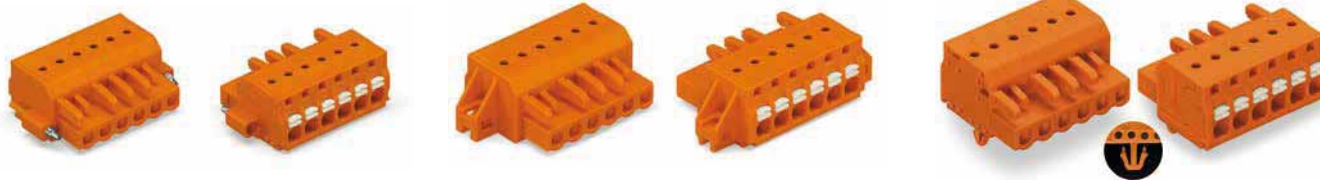
# 1-Conductor Female Connector ▶ MCS MIDI Classic ▶ 2231 Series

Pin spacing: 5.08 mm (0.2 inch) ▶ Actuation type: Push-button ▶ Push-in CAGE CLAMP® ▶ Conductor entry direction to mating direction: 0° ▶ Color: orange

Locking of plug-in connection: Screw flange

Type of mounting: Feed-through mounting, Panel mounting ▶ Mounting type: Mounting flange

Type of mounting: Panel mounting ▶ Mounting type: Snap-in mounting foot

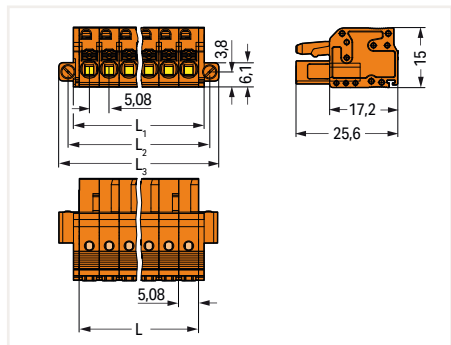


Pole No.	Item No.	PU
2	2231-302/107-000	100
3	2231-303/107-000	100
4	2231-304/107-000	50
5	2231-305/107-000	50
6	2231-306/107-000	50
7	2231-307/107-000	50
8	2231-308/107-000	50
9	2231-309/107-000	25
10	2231-310/107-000	25
12	2231-312/107-000	25
14	2231-314/107-000	25
15	2231-315/107-000	25
16	2231-316/107-000	10

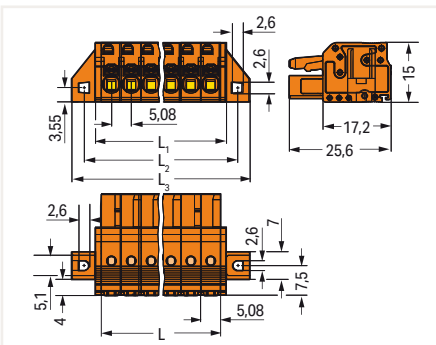
Pole No.	Item No.	PU
2	2231-302/031-000	100
3	2231-303/031-000	50
4	2231-304/031-000	50
5	2231-305/031-000	50
6	2231-306/031-000	50
7	2231-307/031-000	50
8	2231-308/031-000	50
9	2231-309/031-000	50
10	2231-310/031-000	25
11	2231-311/031-000	25
12	2231-312/031-000	25
13	2231-313/031-000	25
14	2231-314/031-000	25
15	2231-315/031-000	25
16	2231-316/031-000	10
17	2231-317/031-000	10
18	2231-318/031-000	10
19	2231-319/031-000	10
20	2231-320/031-000	10
21	2231-321/031-000	10
22	2231-322/031-000	10
23	2231-323/031-000	10
24	2231-324/031-000	10

Pole No.	Item No.	PU
2	2231-302/008-000	100
3	2231-303/008-000	100
4	2231-304/008-000	100
5	2231-305/008-000	100
6	2231-306/008-000	50
7	2231-307/008-000	50
8	2231-308/008-000	50
9	2231-309/008-000	50
10	2231-310/008-000	50
11	2231-311/008-000	25
12	2231-312/008-000	25
13	2231-313/008-000	25
14	2231-314/008-000	25
15	2231-315/008-000	25
16	2231-316/008-000	25
17	2231-317/008-000	25
18	2231-318/008-000	10
19	2231-319/008-000	10
20	2231-320/008-000	10
21	2231-321/008-000	10
22	2231-322/008-000	10
23	2231-323/008-000	10
24	2231-324/008-000	10

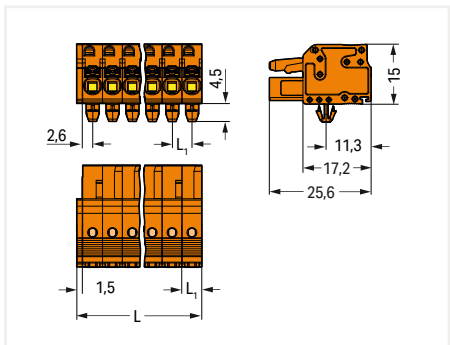
9



L = pole no. x pin spacing  
 L<sub>1</sub> = L + 2.8 mm  
 L<sub>2</sub> = L + 5.4 mm  
 L<sub>3</sub> = L + 10 mm  
 2- to 3-pole female connectors – one latch only



L = pole no. x pin spacing  
 L<sub>1</sub> = L + 2.8 mm  
 L<sub>2</sub> = L + 8.8 mm  
 L<sub>3</sub> = L + 14.8 mm  
 2- to 3-pole female connectors – one latch only



L = (pole no. x pin spacing) + 1.5 mm  
 L<sub>1</sub> = 5.08 mm  
 2- to 3-pole female connectors – one latch only

PU = Packaging Unit; SPU = Subpackaging Unit; Dimensions in mm

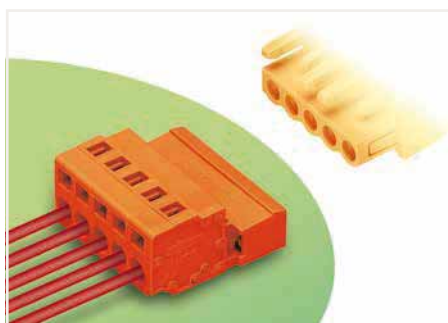
Other variants can be requested via the WAGO sales department or, if necessary, configured at <https://configurator.wago.com/>:

- Gold-plated or partially gold-plated contact surfaces



## 1-Conductor Male Connector ▶ MCS MIDI Classic ▶ 231 Series

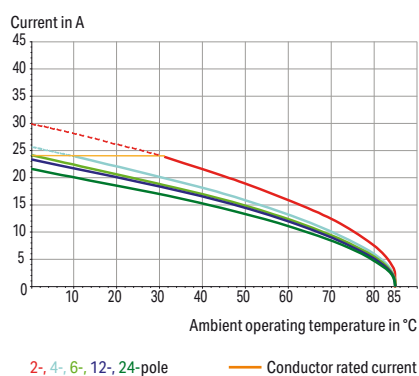
Pin spacing: 5.08 mm (0.2 inch) ▶ Actuation type: Operating tool ▶ CAGE CLAMP® ▶ Conductor entry direction to mating direction: 0° ▶ Color: orange



- Universal connection for all conductor types
- Easy cable pre-assembly and on-unit wiring via vertical and horizontal CAGE CLAMP® actuation
- For wire-to-wire and board-to-wire connections
- Versions available with snap-in mounting feet or flanges for panel or through-panel mounting
- With coding fingers

### Derating Curve

1-conductor female connector (231-102/026-000) with  
1-conductor male header (231-602)  
Pin spacing: 5 mm / Conductor cross-section: 2.5 mm<sup>2</sup> "f-st"  
Based on: EN 60512-5-2 / Reduction factor: 0.8



### Electrical Data

Ratings per	IEC/EN 60664-1		
Overvoltage category	III	III	II
Pollution degree	3	2	2
Rated voltage	320 V	320 V	630 V
Rated impulse voltage	4 kV	4 kV	4 kV
Rated current	12 A	12 A	12 A
Approvals per	UL 1059		
Use Group	B	C	D
Rated voltage	300 V	-	300 V
Rated current	15 A	-	10 A
Approvals per	UL 1977		
Rated voltage	600 V		
Rated current	-		
Approvals per	CSA		
Use Group	B	C	D
Rated voltage	300 V	-	300 V
Rated current	15 A	-	10 A

### Connection Data

Connection technology	CAGE CLAMP®
Strip length	8 ... 9 mm / 0.31 ... 0.35 inch
Solid conductor	0.08 ... 2.5 mm <sup>2</sup> / 28 ... 12 AWG
Fine-stranded conductor	0.08 ... 2.5 mm <sup>2</sup> / 28 ... 12 AWG
Fine-stranded conductor with ferrule with plastic collar	0.25 ... 1.5 mm <sup>2</sup>
Fine-stranded conductor with ferrule without plastic collar	0.25 ... 2.5 mm <sup>2</sup>

### Material Data

Material group	I
Insulating material	Polyamide 66 (PA 66)
Flammability class per UL94	V0
Clamping spring material	Chrome nickel spring steel (CrNi)
Contact material	Electrolytic copper (Ecu)
Contact plating	Tin-plated

### Environmental Requirements

Limit temperature range	-60 ... +100 °C
-------------------------	-----------------

The *MULTI CONNECTION SYSTEM (MCS)* is designed without breaking capacity for compliance with DIN EN 61984. When used as intended, MCS Connectors shall not be connected/disconnected when live or under load. The circuit design should ensure header pins, which can be touched, are not live when unmated.

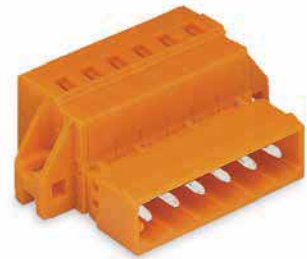
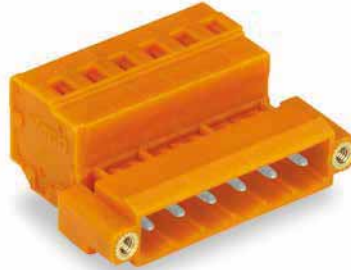
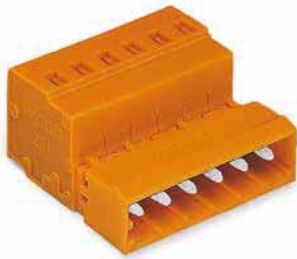
Coding	Page 722
Ferrule	Page 847
General accessory	Page 723
Insulation stop	Page 723
Jumper	Page 729
Marking	Page 833
Mounting	Page 723, 837
Mounting adapter	Page 729
Strain relief	Page 726
Tools	Page 720, 838
Direct marking	Page 712
Cutout dimensions	Page 716
Additional information, see "Technical Section"	
Approvals and corresponding ratings, visit <a href="http://www.wago.com">www.wago.com</a>	

# 1-Conductor Male Connector ▶ MCS MIDI Classic ▶ 231 Series

Pin spacing: 5.08 mm (0.2 inch) ▶ Actuation type: Operating tool ▶ CAGE CLAMP® ▶ Conductor entry direction to mating direction: 0° ▶ Color: orange

Locking of plug-in connection: Threaded flange

Type of mounting: Feed-through mounting, Panel mounting ▶ Mounting type: Mounting flange

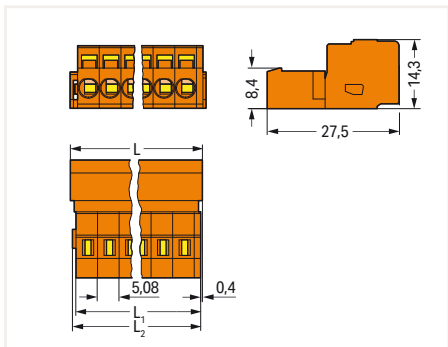


Pole No.	Item No.	PU
2	231-632	100
3	231-633	100
4	231-634	100
5	231-635	50
6	231-636	50
7	231-637	50
8	231-638	50
9	231-639	50
10	231-640	50
11	231-641	25
12	231-642	25
13	231-643	25
14	231-644	25
15	231-645	25
16	231-646	25
17	231-647	25
18	231-648	10
19	231-649	10
20	231-650	10
21	231-651	10
22	231-652	10
23	231-653	10
24	231-654	10

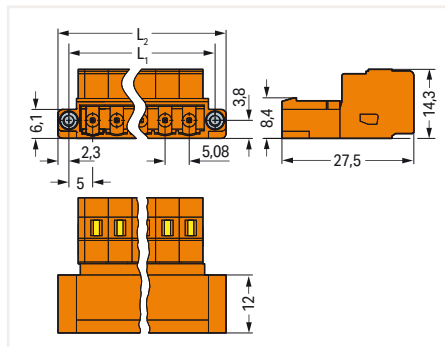
Pole No.	Item No.	PU
2	231-632/109-000	100
3	231-633/109-000	50
4	231-634/109-000	50
5	231-635/109-000	50
6	231-636/109-000	50
7	231-637/109-000	50
8	231-638/109-000	50
9	231-639/109-000	25
10	231-640/109-000	25
12	231-642/109-000	25
14	231-644/109-000	25
15	231-645/109-000	25
16	231-646/109-000	10

Pole No.	Item No.	PU
2	231-632/019-000	100
3	231-633/019-000	50
4	231-634/019-000	50
5	231-635/019-000	50
6	231-636/019-000	50
7	231-637/019-000	50
8	231-638/019-000	50
9	231-639/019-000	25
10	231-640/019-000	25
11	231-641/019-000	25
12	231-642/019-000	25
13	231-643/019-000	25
14	231-644/019-000	25
15	231-645/019-000	25
16	231-646/019-000	10
17	231-647/019-000	10
18	231-648/019-000	10
19	231-649/019-000	10
20	231-650/019-000	10
21	231-651/019-000	10
22	231-652/019-000	10
23	231-653/019-000	10
24	231-654/019-000	10

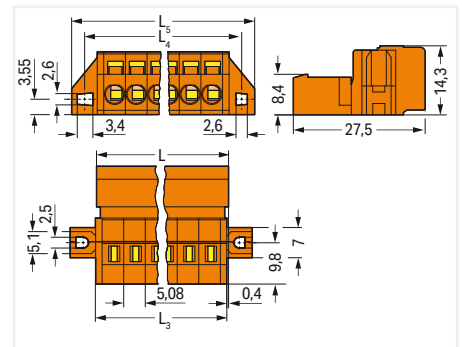
9



L = (pole no. - 1) x pin spacing + 8.2 mm  
 L<sub>1</sub> = L - 1.7 mm  
 L<sub>2</sub> = L - 1.2 mm



L<sub>1</sub> = (pole no. x pin spacing) + 5.4 mm  
 L<sub>2</sub> = (pole no. x pin spacing) + 10 mm



L = (pole no. - 1) x pin spacing + 8.2 mm  
 L<sub>3</sub> = L - 0.2 mm  
 L<sub>4</sub> = L<sub>3</sub> + 5.8 mm  
 L<sub>5</sub> = L<sub>3</sub> + 11.8 mm

PU = Packaging Unit; SPU = Subpackaging Unit; Dimensions in mm

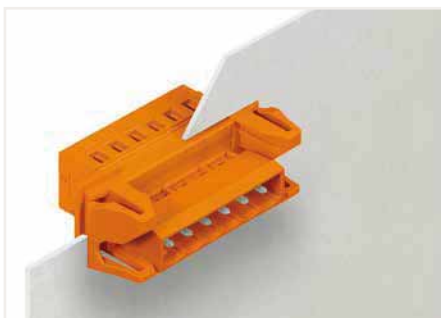
Other variants can be requested via the WAGO sales department or, if necessary, configured at <https://configurator.wago.com/>:

- Other pole numbers
- Gold-plated or partially gold-plated contact surfaces

**1-Conductor Male Connector ▶ MCS MIDI Classic ▶ 231 Series**

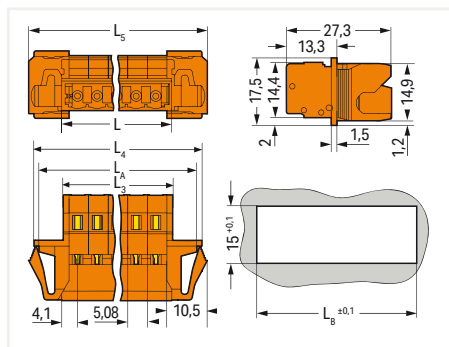
Pin spacing: 5.08 mm (0.2 inch) ▶ Actuation type: Operating tool ▶ CAGE CLAMP® ▶ Conductor entry direction to mating direction: 0° ▶ Color: orange

Type of mounting: Feed-through mounting ▶ Mounting type: Snap-in



Male connector, with snap-in flanges for feedthrough applications, for 0.5 ... 2.5 mm plate thickness

Pole No.	Item No.	PU
2	231-632/114-000	50
3	231-633/114-000	50
4	231-634/114-000	50
5	231-635/114-000	50
6	231-636/114-000	50
7	231-637/114-000	25
8	231-638/114-000	25
9	231-639/114-000	25
10	231-640/114-000	25
11	231-641/114-000	25
12	231-642/114-000	25
13	231-643/114-000	25
14	231-644/114-000	25
15	231-645/114-000	10
16	231-646/114-000	10
17	231-647/114-000	10
18	231-648/114-000	10
19	231-649/114-000	10
20	231-650/114-000	10
21	231-651/114-000	10
22	231-652/114-000	10
23	231-653/114-000	10
24	231-654/114-000	10



$L = (\text{pole no.} \times \text{pin spacing}) + 3.2 \text{ mm}$

$L_5 = L - 0.2 \text{ mm}$

$L_4 = L_5 + 15.2 \text{ mm}$

$L_3 = L_5 + 18 \text{ mm}$

$L_2 = L_5 + 12.6 \text{ mm}$

$L_1 = L_5 + 13.2 \text{ mm}$

$L_0 = L_5 + 13.2 \text{ mm}$

PU = Packaging Unit; SPU = Subpackaging Unit; Dimensions in mm

Other variants can be requested via the WAGO sales department or, if necessary, configured at <https://configurator.wago.com/>:

- Other pole numbers
- Gold-plated or partially gold-plated contact surfaces

## 1-Conductor Male Connector ▶ MCS MIDI Classic ▶ 231 Series

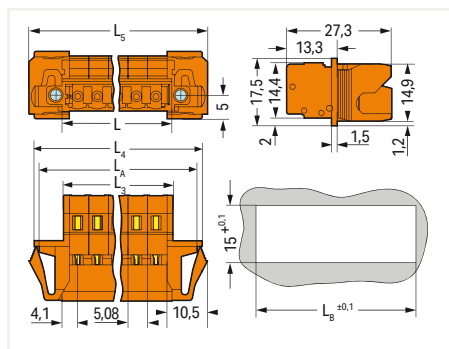
Pin spacing: 5.08 mm (0.2 inch) ▶ Actuation type: Operating tool ▶ CAGE CLAMP® ▶ Conductor entry direction to mating direction: 0° ▶ Color: orange

Type of mounting: Feed-through mounting ▶ Mounting type: Snap-in ▶ Locking of plug-in connection: Threaded flange

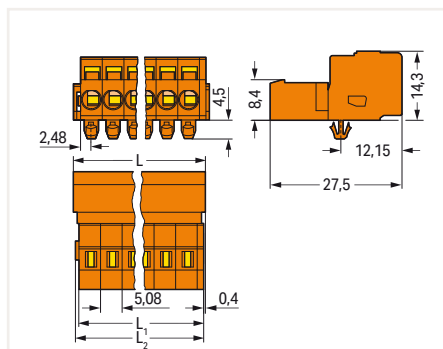
Type of mounting: Panel mounting ▶ Mounting type: Snap-in mounting foot



Pole No.	Item No.	PU	Pole No.	Item No.	PU
2	231-632/129-000	50	2	231-632/018-000	100
3	231-633/129-000	50	3	231-633/018-000	100
4	231-634/129-000	50	4	231-634/018-000	100
5	231-635/129-000	50	5	231-635/018-000	50
6	231-636/129-000	50	6	231-636/018-000	50
7	231-637/129-000	25	7	231-637/018-000	50
8	231-638/129-000	25	8	231-638/018-000	50
9	231-639/129-000	25	9	231-639/018-000	50
10	231-640/129-000	25	10	231-640/018-000	50
12	231-642/129-000	25	11	231-641/018-000	25
14	231-644/129-000	25	12	231-642/018-000	25
15	231-645/129-000	10	13	231-643/018-000	25
16	231-646/129-000	10	14	231-644/018-000	25
			15	231-645/018-000	25
			16	231-646/018-000	25
			17	231-647/018-000	25
			18	231-648/018-000	10
			19	231-649/018-000	10
			20	231-650/018-000	10
			21	231-651/018-000	10
			22	231-652/018-000	10
			23	231-653/018-000	10
			24	231-654/018-000	10



$L = (\text{pole no.} \times \text{pin spacing}) + 3.2 \text{ mm}$   
 $L_3 = L - 0.2 \text{ mm}$   
 $L_4 = L_3 + 15.2 \text{ mm}$   
 $L_5 = L_3 + 18 \text{ mm}$   
 $L_A = L_3 + 12.6 \text{ mm}$   
 $L_6 = L_3 + 13.2 \text{ mm}$



$L = (\text{pole no.} - 1) \times \text{pin spacing} + 8.2 \text{ mm}$   
 $L_1 = L - 1.7 \text{ mm}$   
 $L_2 = L - 1.2 \text{ mm}$

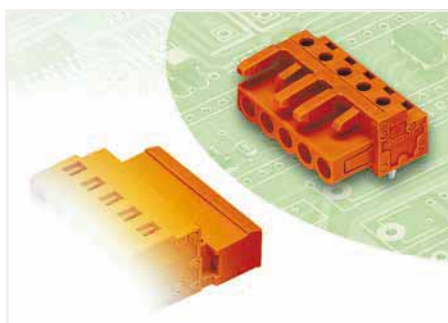
PU = Packaging Unit; SPU = Subpackaging Unit; Dimensions in mm

Other variants can be requested via the WAGO sales department or, if necessary, configured at <https://configurator.wago.com/>:

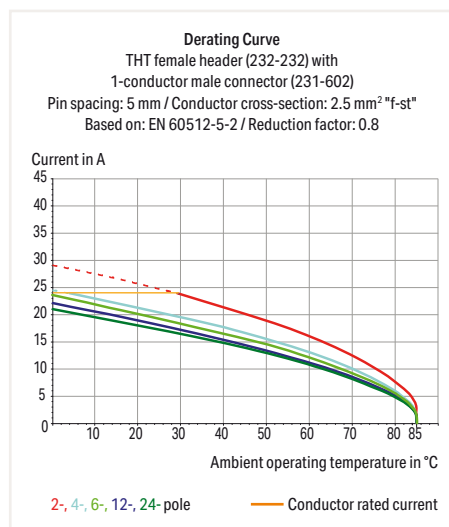
- Other pole numbers
- Gold-plated or partially gold-plated contact surfaces

## THT Female Header ▶ MCS MIDI Classic ▶ 232 Series

Pin spacing: 5.08 mm (0.2 inch) ▶ Solder pin dimensions: 0.6 x 1 mm ▶ Color: orange



- Horizontal or vertical PCB mounting via straight or angled solder pins
- For board-to-board and board-to-wire connections
- Touch-proof PCB outputs
- Easy-to-identify PCB inputs and outputs
- With coding fingers



### Electrical Data

Ratings per	IEC/EN 60664-1		
Overvoltage category	III	III	II
Pollution degree	3	2	2
Rated voltage	320 V	320 V	630 V
Rated impulse voltage	4 kV	4 kV	4 kV
Rated current	12 A	12 A	12 A
Approvals per	UL 1059		
Use Group	B	C	D
Rated voltage	300 V	-	300 V
Rated current	15 A	-	10 A
Approvals per	UL 1977		
Rated voltage	600 V		
Rated current	-		
Approvals per	CSA		
Use Group	B	C	D
Rated voltage	300 V	-	300 V
Rated current	15 A	-	10 A

### Material Data

Material group	I
Insulating material	Polyamide 66 (PA 66)
Flammability class per UL94	V0
Contact material	Copper alloy
Contact plating	Tin-plated

### Mechanical Data

Solder pin arrangement	Over the entire female connector, in line
Solder pin length	5 mm
Solder pin dimensions	0.6 x 1 mm
Drilled hole diameter (tolerance)	1.3 <sup>(+0.1)</sup> mm

### Environmental Requirements

Limit temperature range	-60 ... +85 °C
-------------------------	----------------

The *MULTI CONNECTION SYSTEM (MCS)* is designed without breaking capacity for compliance with DIN EN 61984. When used as intended, MCS Connectors shall not be connected/disconnected when live or under load. The circuit design should ensure header pins, which can be touched, are not live when unmated.

Mounting Page 723, 837

Testing and measuring Page 721, 854

Cutout dimensions Page 716

Additional information, see "Technical Section"

Approvals and corresponding ratings, visit [www.wago.com](http://www.wago.com)



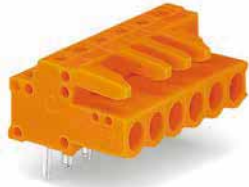
# THT Female Header ▶ MCS MIDI Classic ▶ 232 Series

Pin spacing: 5.08 mm (0.2 inch) ▶ Solder pin dimensions: 0.6 x 1 mm ▶ Color: orange

Mating direction to the PCB: 0°

Mating direction to the PCB: 90°

Locking of plug-in connection: locking lever ▶ Mating direction to the PCB: 0°

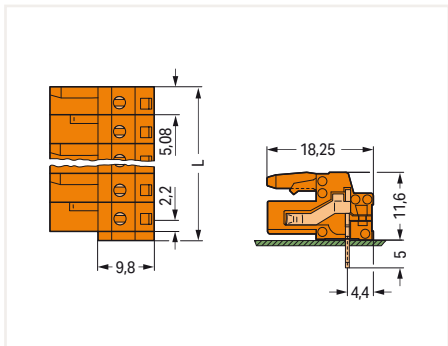


Pole No.	Item No.	PU
2	232-262	100
3	232-263	100
4	232-264	100
5	232-265	100
6	232-266	50
7	232-267	50
8	232-268	50
9	232-269	50
10	232-270	50
11	232-271	25
12	232-272	25
13	232-273	25
14	232-274	25
15	232-275	25
16	232-276	25
17	232-277	25
18	232-278	25
19	232-279	10
20	232-280	10
21	232-281	10
22	232-282	10
23	232-283	10
24	232-284	10

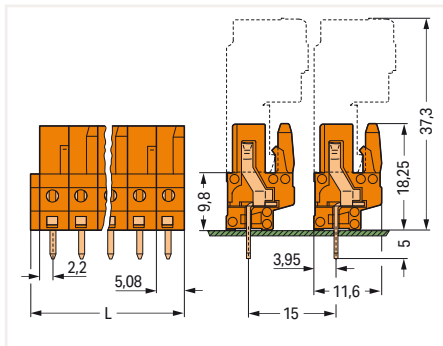
Pole No.	Item No.	PU
2	232-162	100
3	232-163	100
4	232-164	100
5	232-165	100
6	232-166	50
7	232-167	50
8	232-168	50
9	232-169	50
10	232-170	50
11	232-171	25
12	232-172	25
13	232-173	25
14	232-174	25
15	232-175	25
16	232-176	25
17	232-177	25
18	232-178	25
19	232-179	10
20	232-180	10
21	232-181	10
22	232-182	10
23	232-183	10
24	232-184	10

Pole No.	Item No.	PU
2	232-262/039-000	100
3	232-263/039-000	50
4	232-264/039-000	50
5	232-265/039-000	50
6	232-266/039-000	50
7	232-267/039-000	50
8	232-268/039-000	50
9	232-269/039-000	25
10	232-270/039-000	25
11	232-271/039-000	25
12	232-272/039-000	25
13	232-273/039-000	25
14	232-274/039-000	25
15	232-275/039-000	25
16	232-276/039-000	10
17	232-277/039-000	10
18	232-278/039-000	10
19	232-279/039-000	10
20	232-280/039-000	10
21	232-281/039-000	10
22	232-282/039-000	10
23	232-283/039-000	10
24	232-284/039-000	10

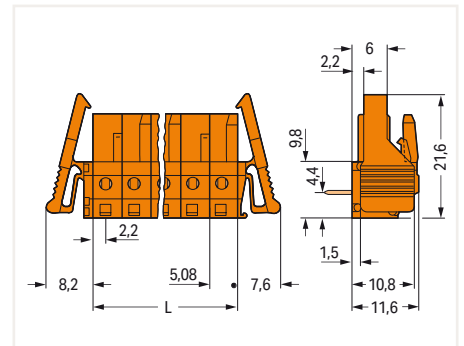
9



L = (pole no. x pin spacing) + 1.5 mm  
Distance to first solder pin: 2.2 mm  
2- to 3-pole female connectors – one latch only



L = (pole no. x pin spacing) + 1.5 mm  
2- to 3-pole female connectors – one latch only



L = pole no. x pin spacing  
Distance to first solder pin: 2.2 mm  
2- to 3-pole female connectors – one latch only

PU = Packaging Unit; SPU = Subpackaging Unit; Dimensions in mm

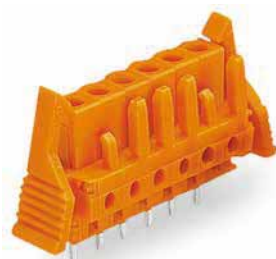
Other variants can be requested via the WAGO sales department or, if necessary, configured at <https://configurator.wago.com/>:

- Other pole numbers
- 3.8 mm pin projection for male headers with straight solder pins
- Gold-plated or partially gold-plated contact surfaces

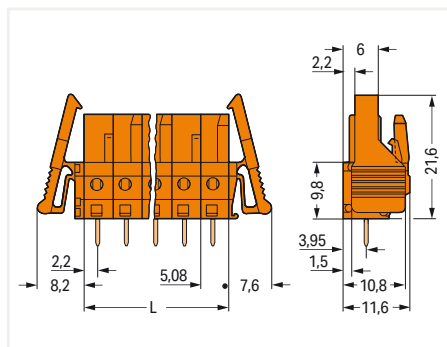
**THT Female Header ▶ MCS MIDI Classic ▶ 232 Series**

Pin spacing: 5.08 mm (0.2 inch) ▶ Solder pin dimensions: 0.6 x 1 mm ▶ Color: orange

Locking of plug-in connection: locking lever ▶ Mating direction to the PCB: 90°



Pole No.	Item No.	PU
2	232-162/039-000	100
3	232-163/039-000	50
4	232-164/039-000	50
5	232-165/039-000	50
6	232-166/039-000	50
7	232-167/039-000	50
8	232-168/039-000	50
9	232-169/039-000	25
10	232-170/039-000	25
11	232-171/039-000	25
12	232-172/039-000	25
13	232-173/039-000	25
14	232-174/039-000	25
15	232-175/039-000	25
16	232-176/039-000	10
17	232-177/039-000	10
18	232-178/039-000	10
19	232-179/039-000	10
20	232-180/039-000	10
21	232-181/039-000	10
22	232-182/039-000	10
23	232-183/039-000	10
24	232-184/039-000	10



L = pole no. x pin spacing

2- to 3-pole female connectors – one latch only

PU = Packaging Unit; SPU = Subpackaging Unit; Dimensions in mm

Other variants can be requested via the WAGO sales department or, if necessary, configured at <https://configurator.wago.com/>:

- Other pole numbers
- 3.8 mm pin projection for male headers with straight solder pins
- Gold-plated or partially gold-plated contact surfaces

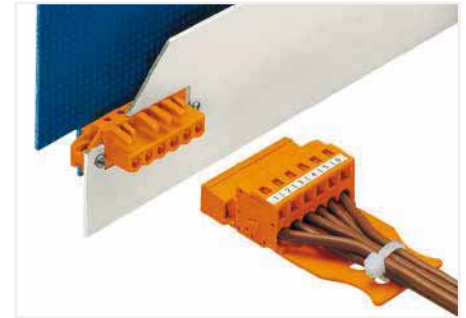
# THT Female Header ▶ MCS MIDI Classic ▶ 232 Series

Pin spacing: 5.08 mm (0.2 inch) ▶ Solder pin dimensions: 0.6 x 1 mm ▶ Color: orange

Type of mounting: Feed-through mounting, Panel mounting ▶ Mounting type: Mounting flange

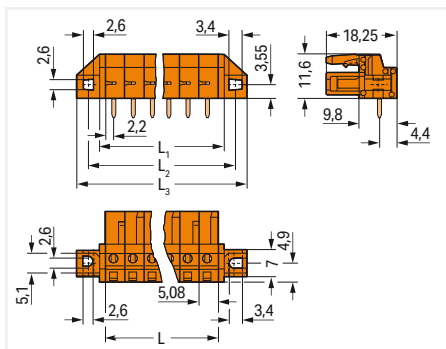
Mating direction to the PCB: 0°

Mating direction to the PCB: 90°

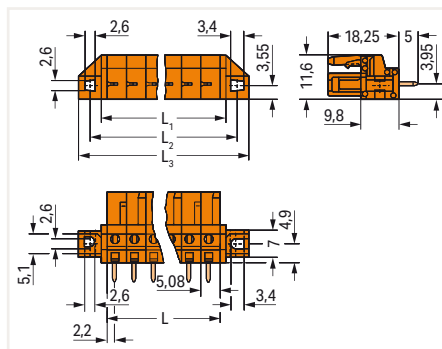


The innovative flange design provides standard panel mounting options or various through-panel mounting configurations. Depending on the type of application and flange, female headers can be used either for through-panel or flush mount applications.

Pole No.	Item No.	PU	Pole No.	Item No.	PU
2	232-262/031-000	100	2	232-162/031-000	100
3	232-263/031-000	50	3	232-163/031-000	50
4	232-264/031-000	50	4	232-164/031-000	50
5	232-265/031-000	50	5	232-165/031-000	50
6	232-266/031-000	50	6	232-166/031-000	50
7	232-267/031-000	50	7	232-167/031-000	50
8	232-268/031-000	50	8	232-168/031-000	50
9	232-269/031-000	25	9	232-169/031-000	25
10	232-270/031-000	25	10	232-170/031-000	25
11	232-271/031-000	25	11	232-171/031-000	25
12	232-272/031-000	25	12	232-172/031-000	25
13	232-273/031-000	25	13	232-173/031-000	25
14	232-274/031-000	25	14	232-174/031-000	25
15	232-275/031-000	25	15	232-175/031-000	25
16	232-276/031-000	10	16	232-176/031-000	10
17	232-277/031-000	10	17	232-177/031-000	10
18	232-278/031-000	10	18	232-178/031-000	10
19	232-279/031-000	10	19	232-179/031-000	10
20	232-280/031-000	10	20	232-180/031-000	10
21	232-281/031-000	10	21	232-181/031-000	10
22	232-282/031-000	10	22	232-182/031-000	10
23	232-283/031-000	10	23	232-183/031-000	10
24	232-284/031-000	10	24	232-184/031-000	10



L = pole no. x pin spacing  
 L<sub>1</sub> = L + 3 mm  
 L<sub>2</sub> = L + 8.8 mm  
 L<sub>3</sub> = L + 14.8 mm  
 2- to 3-pole female connectors – one latch only



L = pole no. x pin spacing  
 L<sub>1</sub> = L + 3 mm  
 L<sub>2</sub> = L + 8.8 mm  
 L<sub>3</sub> = L + 14.8 mm  
 2- to 3-pole female connectors – one latch only

PU = Packaging Unit; SPU = Subpackaging Unit; Dimensions in mm

Other variants can be requested via the WAGO sales department or, if necessary, configured at <https://configurator.wago.com/>:

- Other pole numbers
- 3.8 mm pin projection for male headers with straight solder pins
- Gold-plated or partially gold-plated contact surfaces

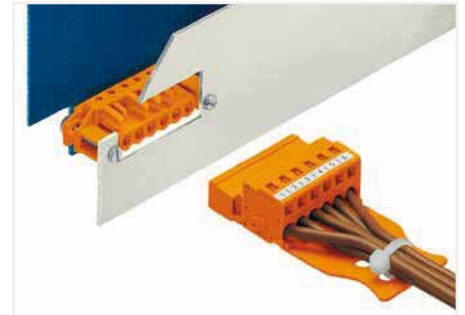
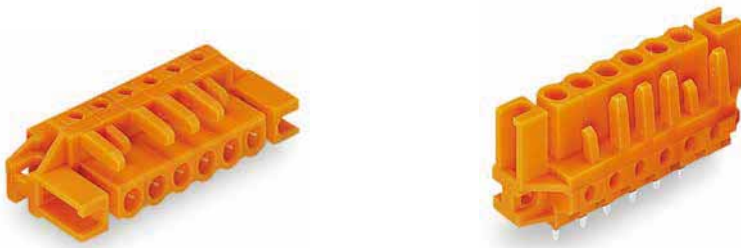
# THT Female Header ▶ MCS MIDI Classic ▶ 232 Series

Pin spacing: 5.08 mm (0.2 inch) ▶ Solder pin dimensions: 0.6 x 1 mm ▶ Color: orange

Type of mounting: Flush mounting, Panel mounting ▶ Mounting type: Mounting flange

Mating direction to the PCB: 0°

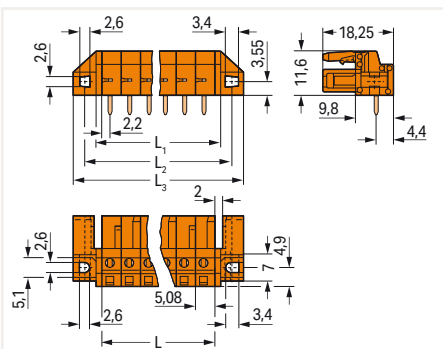
Mating direction to the PCB: 90°



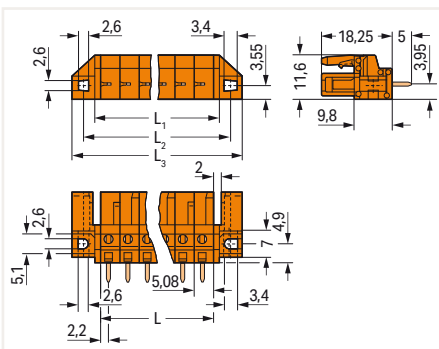
The innovative flange design provides standard panel mounting options or various through-panel mounting configurations. Depending on the type of application and flange, female headers can be used either for through-panel or flush mount applications.

Pole No.	Item No.	PU
2	232-262/047-000	100
3	232-263/047-000	50
4	232-264/047-000	50
5	232-265/047-000	50
6	232-266/047-000	50
7	232-267/047-000	50
8	232-268/047-000	50
9	232-269/047-000	25
10	232-270/047-000	25
11	232-271/047-000	25
12	232-272/047-000	25
13	232-273/047-000	25
14	232-274/047-000	25
15	232-275/047-000	25
16	232-276/047-000	10
17	232-277/047-000	10
18	232-278/047-000	10
19	232-279/047-000	10
20	232-280/047-000	10
21	232-281/047-000	10
22	232-282/047-000	10
23	232-283/047-000	10
24	232-284/047-000	10

Pole No.	Item No.	PU
2	232-162/047-000	100
3	232-163/047-000	50
4	232-164/047-000	50
5	232-165/047-000	50
6	232-166/047-000	50
7	232-167/047-000	50
8	232-168/047-000	50
9	232-169/047-000	25
10	232-170/047-000	25
11	232-171/047-000	25
12	232-172/047-000	25
13	232-173/047-000	25
14	232-174/047-000	25
15	232-175/047-000	25
16	232-176/047-000	10
17	232-177/047-000	10
18	232-178/047-000	10
19	232-179/047-000	10
20	232-180/047-000	10
21	232-181/047-000	10
22	232-182/047-000	10
23	232-183/047-000	10
24	232-184/047-000	10



L = pole no. x pin spacing  
 L<sub>1</sub> = L + 3 mm  
 L<sub>2</sub> = L + 8.8 mm  
 L<sub>3</sub> = L + 14.8 mm  
 2- to 3-pole female connectors – one latch only



L = pole no. x pin spacing  
 L<sub>1</sub> = L + 3 mm  
 L<sub>2</sub> = L + 8.8 mm  
 L<sub>3</sub> = L + 14.8 mm  
 2- to 3-pole female connectors – one latch only

PU = Packaging Unit; SPU = Subpackaging Unit; Dimensions in mm

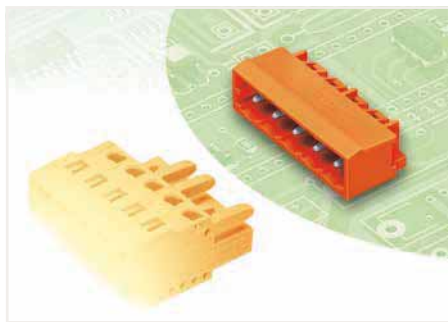
Other variants can be requested via the WAGO sales department or, if necessary, configured at <https://configurator.wago.com/>:

- Other pole numbers
- 3.8 mm pin projection for male headers with straight solder pins
- Gold-plated or partially gold-plated contact surfaces

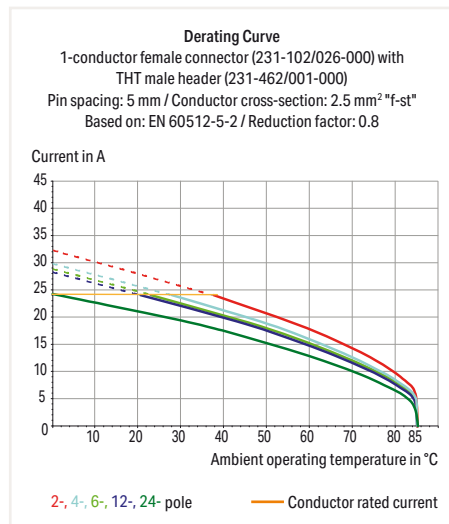


## THT Male Header ▶ MCS MIDI Classic ▶ 231 Series

Pin spacing: 5.08 mm (0.2 inch) ▶ Solder pin dimensions: 1 x 1 mm ▶ Color: orange



- Horizontal or vertical PCB mounting via straight or angled solder pins
- Pin cross-section: 1 x 1 mm
- With coding fingers



### Electrical Data

Ratings per	IEC/EN 60664-1		
Overvoltage category	III	III	II
Pollution degree	3	2	2
Rated voltage	320 V	320 V	630 V
Rated impulse voltage	4 kV	4 kV	4 kV
Rated current	12 A	12 A	12 A
Approvals per	UL 1059		
Use Group	B	C	D
Rated voltage	300 V	-	300 V
Rated current	10 A	-	10 A
Approvals per	UL 1977		
Rated voltage	600 V		
Rated current	-		
Approvals per	CSA		
Use Group	B	C	D
Rated voltage	300 V	-	300 V
Rated current	10 A	-	10 A

### Material Data

Material group	I
Insulating material	Polyamide 66 (PA 66)
Flammability class per UL94	V0
Contact material	Electrolytic copper (Ecu)
Contact plating	Tin-plated

### Mechanical Data

Solder pin arrangement	Over the entire male connector, in line
Solder pin dimensions	1 x 1 mm
Drilled hole diameter (tolerance)	1.4 <sup>(+0.1)</sup> mm

### Environmental Requirements

Limit temperature range	-60 ... +100 °C
-------------------------	-----------------

The *MULTI CONNECTION SYSTEM (MCS)* is designed without breaking capacity for compliance with DIN EN 61984. When used as intended, MCS Connectors shall not be connected/disconnected when live or under load. The circuit design should ensure header pins, which can be touched, are not live when unmated.

Coding Page 722

Additional information, see "Technical Section"

Approvals and corresponding ratings, visit [www.wago.com](http://www.wago.com)

# THT Male Header ▶ MCS MIDI Classic ▶ 231 Series

Pin spacing: 5.08 mm (0.2 inch) ▶ Solder pin dimensions: 1 x 1 mm ▶ Color: orange

Mating direction to the PCB: 0°

Mating direction to the PCB: 90°

Locking of plug-in connection: Threaded flange ▶ Mating direction to the PCB: 0°

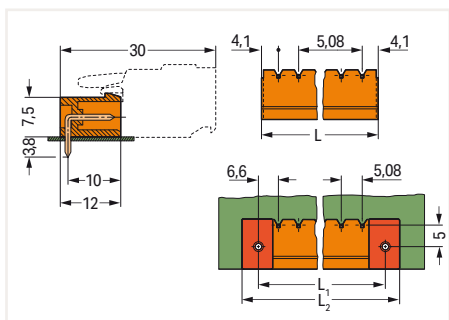


Pole No.	Item No.	PU
2	231-532/001-000	200
3	231-533/001-000	200
4	231-534/001-000	200
5	231-535/001-000	200
6	231-536/001-000	100
7	231-537/001-000	100
8	231-538/001-000	100
9	231-539/001-000	100
10	231-540/001-000	100
11	231-541/001-000	100
12	231-542/001-000	100
13	231-543/001-000	50
14	231-544/001-000	50
15	231-545/001-000	50
16	231-546/001-000	50
17	231-547/001-000	50
18	231-548/001-000	50
19	231-549/001-000	50
20	231-550/001-000	50
21	231-551/001-000	50
22	231-552/001-000	50
23	231-553/001-000	50
24	231-554/001-000	50

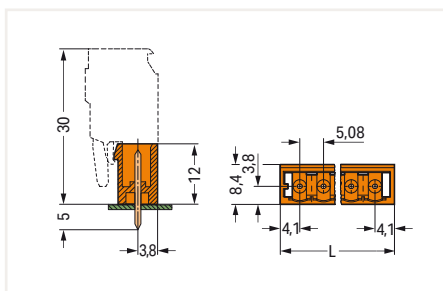
Pole No.	Item No.	PU
2	231-332/001-000	200
3	231-333/001-000	200
4	231-334/001-000	200
5	231-335/001-000	200
6	231-336/001-000	100
7	231-337/001-000	100
8	231-338/001-000	100
9	231-339/001-000	100
10	231-340/001-000	100
11	231-341/001-000	100
12	231-342/001-000	100
13	231-343/001-000	50
14	231-344/001-000	50
15	231-345/001-000	50
16	231-346/001-000	50
17	231-347/001-000	50
18	231-348/001-000	50
19	231-349/001-000	50
20	231-350/001-000	50
21	231-351/001-000	50
22	231-352/001-000	50
23	231-353/001-000	50
24	231-354/001-000	50

Pole No.	Item No.	PU
2	231-532/108-000	200
3	231-533/108-000	200
4	231-534/108-000	100
5	231-535/108-000	100
6	231-536/108-000	100
7	231-537/108-000	100
8	231-538/108-000	100
9	231-539/108-000	100
10	231-540/108-000	100
12	231-542/108-000	100
14	231-544/108-000	50
15	231-545/108-000	50
16	231-546/108-000	50

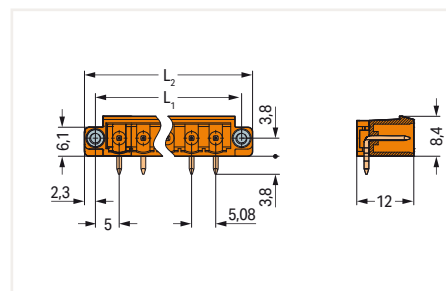
9



$L = (\text{pole no.} - 1) \times \text{pin spacing} + 8.2 \text{ mm}$   
 $L_1 = L + 5 \text{ mm}$   
 $L_2 = L_1 + 7.4 \text{ mm}$



$L = (\text{pole no.} - 1) \times \text{pin spacing} + 8.2 \text{ mm}$



$L_1 = (\text{pole no.} \times \text{pin spacing}) + 5.4 \text{ mm}$   
 $L_2 = (\text{pole no.} \times \text{pin spacing}) + 10 \text{ mm}$

PU = Packaging Unit; SPU = Subpackaging Unit; Dimensions in mm

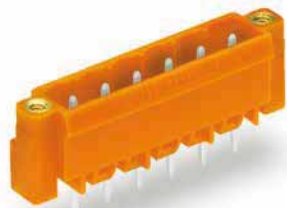
Other variants can be requested via the WAGO sales department or, if necessary, configured at <https://configurator.wago.com/>:

- Other pole numbers
- 3.8 mm pin projection for male headers with straight solder pins
- Gold-plated or partially gold-plated contact surfaces

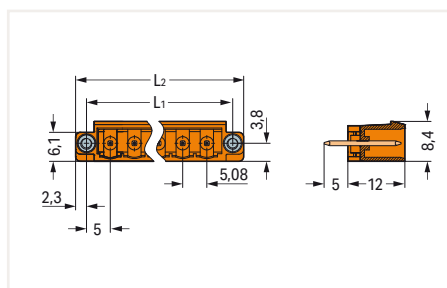
**THT Male Header ▶ MCS MIDI Classic ▶ 231 Series**

Pin spacing: 5.08 mm (0.2 inch) ▶ Solder pin dimensions: 1 x 1 mm ▶ Color: orange

Locking of plug-in connection: Threaded flange ▶ Mating direction to the PCB: 90°



Pole No.	Item No.	PU
2	231-332/108-000	200
3	231-333/108-000	200
4	231-334/108-000	100
5	231-335/108-000	100
6	231-336/108-000	100
7	231-337/108-000	100
8	231-338/108-000	100
9	231-339/108-000	100
10	231-340/108-000	100
12	231-342/108-000	100
14	231-344/108-000	50
15	231-345/108-000	50
16	231-346/108-000	50


 $L_1 = (\text{pole no.} \times \text{pin spacing}) + 5.4 \text{ mm}$ 
 $L_2 = (\text{pole no.} \times \text{pin spacing}) + 10 \text{ mm}$ 

PU = Packaging Unit; SPU = Subpackaging Unit; Dimensions in mm

Other variants can be requested via the WAGO sales department or, if necessary, configured at <https://configurator.wago.com/>:

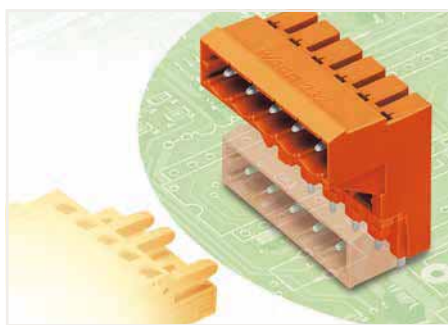
- Other pole numbers
- 3.8 mm pin projection for male headers with straight solder pins
- Gold-plated or partially gold-plated contact surfaces



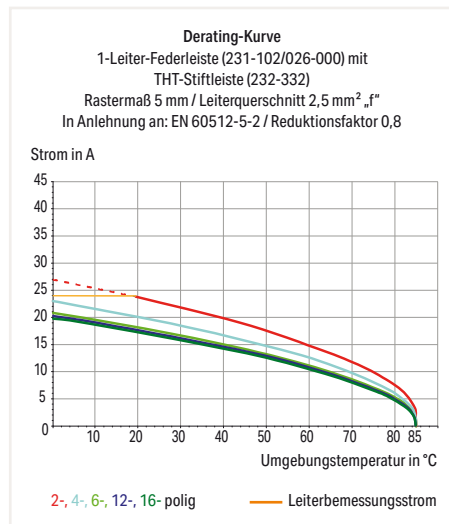


## THT Male Header for Double-Deck Assembly ▶ MCS MIDI Classic ▶ 232 Series

Pin spacing: 5.08 mm (0.2 inch) ▶ Solder pin dimensions: 1 x 1 mm ▶ Mating direction to the PCB: 0° ▶ Color: orange



- Male headers for double-deck assembly provide high-density wiring for wire-to-board connections
- Horizontal PCB mounting
- Double-deck design allows male or female headers with angled solder pins to be placed on the lower deck
- With coding fingers



### Electrical Data

Ratings per	IEC/EN 60664-1		
Overvoltage category	III	III	II
Pollution degree	3	2	2
Rated voltage	320 V	320 V	630 V
Rated impulse voltage	4 kV	4 kV	4 kV
Rated current	12 A	12 A	12 A
Approvals per	UL 1059		
Use Group	B	C	D
Rated voltage	300 V	-	300 V
Rated current	10 A	-	10 A
Approvals per	UL 1977		
Rated voltage	600 V		
Rated current	-		
Approvals per	CSA		
Use Group	B	C	D
Rated voltage	300 V	-	300 V
Rated current	10 A	-	10 A

### Material Data

Material group	I
Insulating material	Polyamide 66 (PA 66)
Flammability class per UL94	V0
Contact material	Electrolytic copper (Ecu)
Contact plating	Tin-plated

### Mechanical Data

Solder pin arrangement	Over the entire male connector, in line
Solder pin length	5 mm
Solder pin dimensions	1 x 1 mm
Drilled hole diameter (tolerance)	1.4 <sup>(±0.1)</sup> mm

### Environmental Requirements

Limit temperature range	-60 ... +100 °C
-------------------------	-----------------

The *MULTI CONNECTION SYSTEM (MCS)* is designed without breaking capacity for compliance with DIN EN 61984. When used as intended, MCS Connectors shall not be connected/disconnected when live or under load. The circuit design should ensure header pins, which can be touched, are not live when unmated.

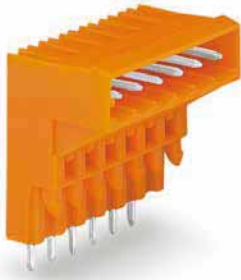
Coding Page 722

Additional information, see "Technical Section"

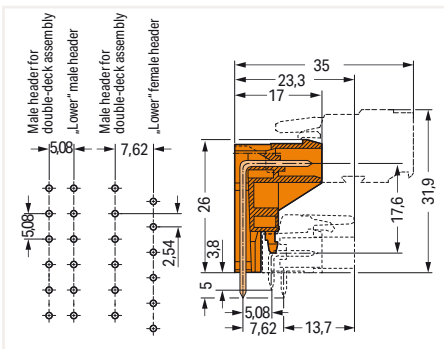
Approvals and corresponding ratings, visit [www.wago.com](http://www.wago.com)

## THT Male Header for Double-Deck Assembly ▶ MCS MIDI Classic ▶ 232 Series

Pin spacing: 5.08 mm (0.2 inch) ▶ Solder pin dimensions: 1 x 1 mm ▶ Mating direction to the PCB: 0° ▶ Color: orange



Pole No.	Item No.	PU
2	232-362	100
3	232-363	100
4	232-364	100
6	232-366	50
8	232-368	50
10	232-370	50
12	232-372	50
16	232-376	25



Length = (pole no. - 1) x pin spacing + 8.2 mm  
 The solder pins of the basic male headers (lower deck) are in a line.  
 The solder pins of the basic female connectors (lower deck) are staggered by half a pin spacing.

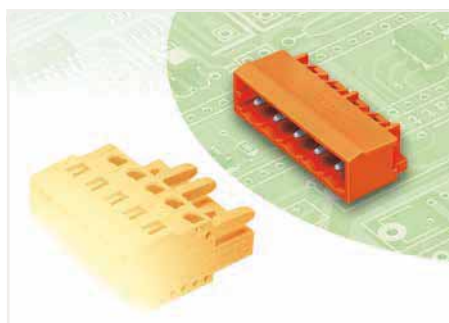
PU = Packaging Unit; SPU = Subpackaging Unit; Dimensions in mm

Other variants can be requested via the WAGO sales department or, if necessary, configured at <https://configurator.wago.com/>:

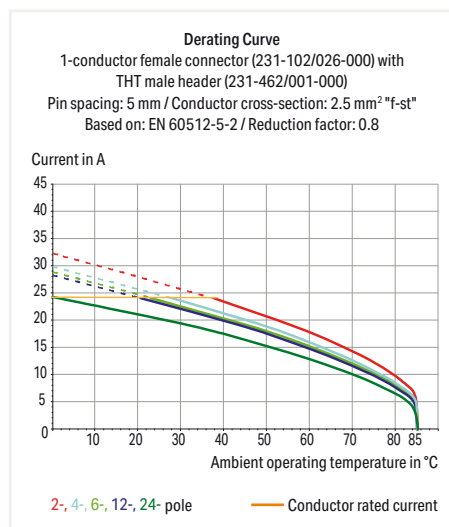
- Other pole numbers
- Gold-plated or partially gold-plated contact surfaces

## THT Male Header ▶ MCS MIDI Classic ▶ 231 Series

Pin spacing: 5.08 mm (0.2 inch) ▶ Solder pin dimensions: 1.2 x 1.2 mm ▶ Color: orange



- Horizontal or vertical PCB mounting via straight or angled solder pins
- 1.2 x 1.2 mm solder pins allow nominal current up to 16 A, enhancing stability of shorter headers
- With coding fingers



### Electrical Data

Ratings per	IEC/EN 60664-1		
Overvoltage category	III	III	II
Pollution degree	3	2	2
Rated voltage	250 V	320 V	630 V
Rated impulse voltage	4 kV	4 kV	4 kV
Rated current	16 A	16 A	16 A
Approvals per	UL 1059		
Use Group	B	C	D
Rated voltage	300 V	-	300 V
Rated current	15 A	-	10 A
Approvals per	UL 1977		
Rated voltage	600 V		
Rated current	-		
Approvals per	CSA		
Use Group	B	C	D
Rated voltage	300 V	-	300 V
Rated current	15 A	-	10 A

### Material Data

Material group	I
Insulating material	Polyamide 66 (PA 66)
Flammability class per UL94	V0
Contact material	Electrolytic copper (Ecu)
Contact plating	Tin-plated

### Mechanical Data

Solder pin arrangement	Over the entire male connector, in line
Solder pin dimensions	1.2 x 1.2 mm
Drilled hole diameter (tolerance)	1.7 <sup>(+0.1)</sup> mm

### Environmental Requirements

Limit temperature range	-60 ... +100 °C
-------------------------	-----------------

The *MULTI CONNECTION SYSTEM (MCS)* is designed without breaking capacity for compliance with DIN EN 61984. When used as intended, MCS Connectors shall not be connected/disconnected when live or under load. The circuit design should ensure header pins, which can be touched, are not live when unmated.

Coding Page 722

Additional information, see "Technical Section"

Approvals and corresponding ratings, visit [www.wago.com](http://www.wago.com)

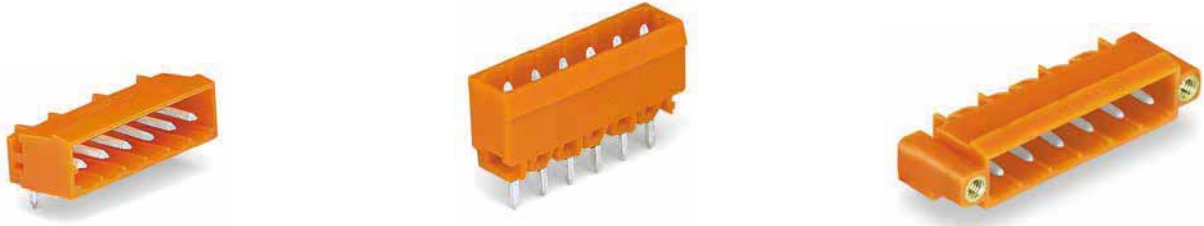
# THT Male Header ▶ MCS MIDI Classic ▶ 231 Series

Pin spacing: 5.08 mm (0.2 inch) ▶ Solder pin dimensions: 1.2 x 1.2 mm ▶ Color: orange

Mating direction to the PCB: 0°

Mating direction to the PCB: 90°

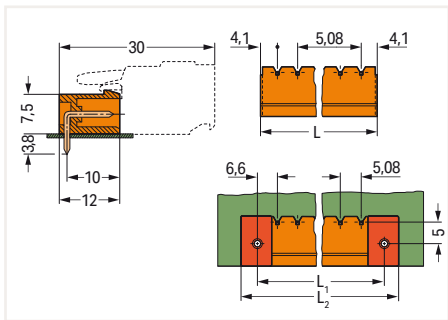
Locking of plug-in connection: Threaded flange ▶ Mating direction to the PCB: 0°



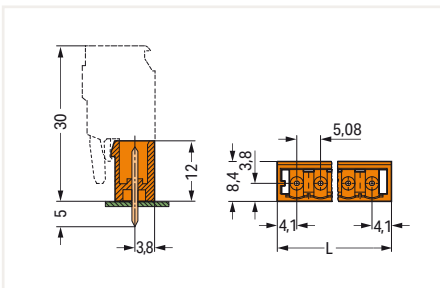
Pole No.	Item No.	PU
2	231-562/001-000	200
3	231-563/001-000	200
4	231-564/001-000	200
5	231-565/001-000	200
6	231-566/001-000	100
7	231-567/001-000	100
8	231-568/001-000	100
9	231-569/001-000	100
10	231-570/001-000	100
11	231-571/001-000	100
12	231-572/001-000	100
13	231-573/001-000	50
14	231-574/001-000	50
15	231-575/001-000	50
16	231-576/001-000	50
17	231-577/001-000	50
18	231-578/001-000	50
19	231-579/001-000	50
20	231-580/001-000	50
21	231-581/001-000	50
22	231-582/001-000	50
23	231-583/001-000	50
24	231-584/001-000	50

Pole No.	Item No.	PU
2	231-362/001-000	200
3	231-363/001-000	200
4	231-364/001-000	200
5	231-365/001-000	200
6	231-366/001-000	100
7	231-367/001-000	100
8	231-368/001-000	100
9	231-369/001-000	100
10	231-370/001-000	100
11	231-371/001-000	100
12	231-372/001-000	100
13	231-373/001-000	50
14	231-374/001-000	50
15	231-375/001-000	50
16	231-376/001-000	50
17	231-377/001-000	50
18	231-378/001-000	50
19	231-379/001-000	50
20	231-380/001-000	50
21	231-381/001-000	50
22	231-382/001-000	50
23	231-383/001-000	50
24	231-384/001-000	50

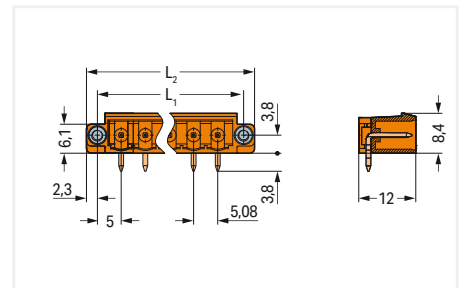
Pole No.	Item No.	PU
2	231-562/108-000	100
3	231-563/108-000	200
4	231-564/108-000	100
5	231-565/108-000	100
6	231-566/108-000	100
7	231-567/108-000	100
8	231-568/108-000	100
9	231-569/108-000	100
10	231-570/108-000	100
12	231-572/108-000	100
14	231-574/108-000	50
15	231-575/108-000	50
16	231-576/108-000	50



$L = (\text{pole no.} - 1) \times \text{pin spacing} + 8.2 \text{ mm}$   
 $L_1 = L + 5 \text{ mm}$   
 $L_2 = L_1 + 7.4 \text{ mm}$



$L = (\text{pole no.} - 1) \times \text{pin spacing} + 8.2 \text{ mm}$



$L_1 = (\text{pole no.} \times \text{pin spacing}) + 5.4 \text{ mm}$   
 $L_2 = (\text{pole no.} \times \text{pin spacing}) + 10 \text{ mm}$

PU = Packaging Unit; SPU = Subpackaging Unit; Dimensions in mm

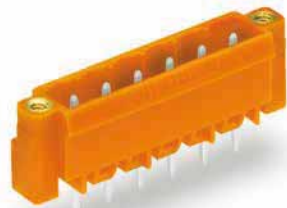
Other variants can be requested via the WAGO sales department or, if necessary, configured at <https://configurator.wago.com/>:

- Other pole numbers
- 3.8 mm pin projection for male headers with straight solder pins
- Gold-plated or partially gold-plated contact surfaces

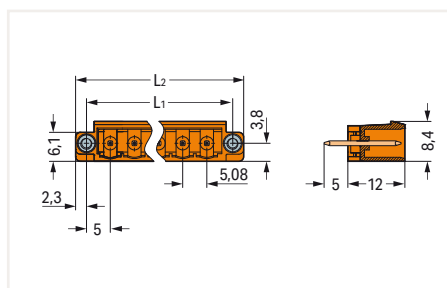
**THT Male Header ▶ MCS MIDI Classic ▶ 231 Series**

Pin spacing: 5.08 mm (0.2 inch) ▶ Solder pin dimensions: 1.2 x 1.2 mm ▶ Color: orange

Locking of plug-in connection: Threaded flange ▶ Mating direction to the PCB: 90°



Pole No.	Item No.	PU
2	231-362/108-000	200
3	231-363/108-000	200
4	231-364/108-000	100
5	231-365/108-000	100
6	231-366/108-000	100
7	231-367/108-000	100
8	231-368/108-000	100
9	231-369/108-000	100
10	231-370/108-000	100
12	231-372/108-000	100
14	231-374/108-000	50
15	231-375/108-000	50
16	231-376/108-000	50


 $L_1 = (\text{pole no.} \times \text{pin spacing}) + 5.4 \text{ mm}$ 
 $L_2 = (\text{pole no.} \times \text{pin spacing}) + 10 \text{ mm}$ 

PU = Packaging Unit; SPU = Subpackaging Unit; Dimensions in mm

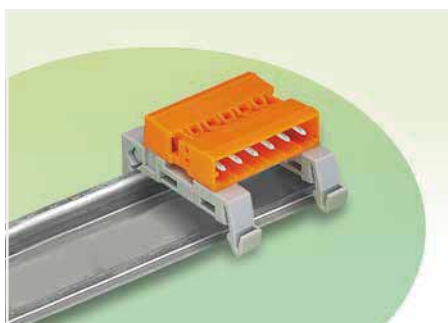
Other variants can be requested via the WAGO sales department or, if necessary, configured at <https://configurator.wago.com/>:

- Other pole numbers
- 3.8 mm pin projection for male headers with straight solder pins
- Gold-plated or partially gold-plated contact surfaces



**Double-Pin Male Connector ▶ MCS MIDI Classic ▶ 232 Series**

Pin spacing: 5.08 mm (0.2 inch) ▶ Type of mounting: DIN-35 rail ▶ Color: orange



- Allow MCS Female Connectors fitted with wire harness or cable assembly to be plugged together
- Adapter for DIN-35 rail mounting
- Coding via coding keys on both sides

**Electrical Data**

Ratings per	IEC/EN 60664-1		
Overvoltage category	III	III	II
Pollution degree	3	2	2
Rated voltage	250 V	320 V	630 V
Rated impulse voltage	4 kV	4 kV	4 kV
Rated current	12 A	12 A	12 A

Approvals per	UL 1059		
Use Group	B	C	D
Rated voltage	300 V	-	300 V
Rated current	15 A	-	10 A

Approvals per	UL 1977		
Rated voltage	600 V		
Rated current	-		

Approvals per	CSA		
Use Group	B	C	D
Rated voltage	300 V	-	300 V
Rated current	15 A	-	10 A

**Material Data**

Material group	I
Insulating material	Polyamide 66 (PA 66)
Flammability class per UL94	V0
Contact material	Electrolytic copper (Ecu)
Contact plating	Tin-plated

**Environmental Requirements**

Limit temperature range	-60 ... +100 °C
-------------------------	-----------------

The *MULTI CONNECTION SYSTEM (MCS)* is designed without breaking capacity for compliance with DIN EN 61984. When used as intended, MCS Connectors shall not be connected/disconnected when live or under load. The circuit design should ensure header pins, which can be touched, are not live when unmated.

Carrier rail Page 836

Coding Page 722

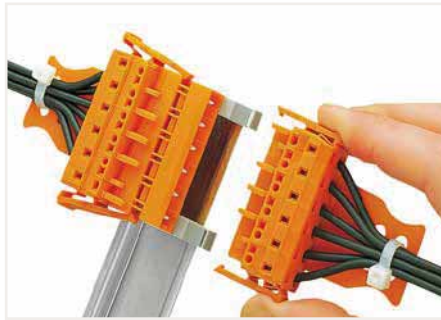
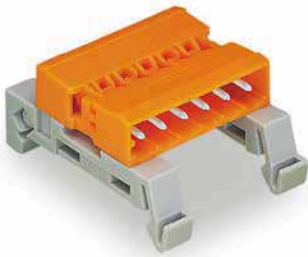
Additional information, see "Technical Section"

Approvals and corresponding ratings, visit [www.wago.com](http://www.wago.com)



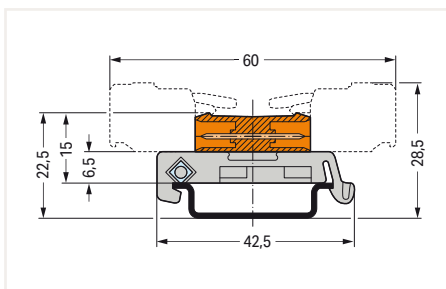
## Double-Pin Male Connector ▶ MCS MIDI Classic ▶ 232 Series

Pin spacing: 5.08 mm (0.2 inch) ▶ Type of mounting: DIN-35 rail ▶ Color: orange



Female connectors with locking levers

Pole No.	Item No.	PU
2	232-532/007-000	100
3	232-533/007-000	50
4	232-534/007-000	50
5	232-535/007-000	50
6	232-536/007-000	50
7	232-537/007-000	25
8	232-538/007-000	25
9	232-539/007-000	25
10	232-540/007-000	25
11	232-541/007-000	25
12	232-542/007-000	25
13	232-543/007-000	25
14	232-544/007-000	25
15	232-545/007-000	25
16	232-546/007-000	25
17	232-547/007-000	25
18	232-548/007-000	25
19	232-549/007-000	10
20	232-550/007-000	25
21	232-551/007-000	10
22	232-552/007-000	10
23	232-553/007-000	10
24	232-554/007-000	10



Total length = (pole no. - 1) x pin spacing + 8.2 mm

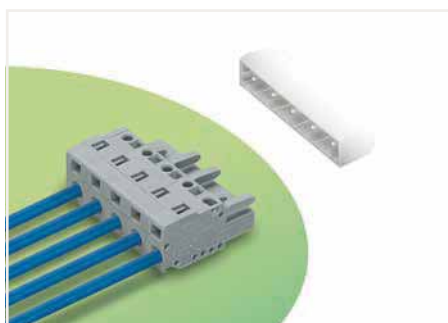
PU = Packaging Unit; SPU = Subpackaging Unit; Dimensions in mm

Other variants can be requested via the WAGO sales department or, if necessary, configured at <https://configurator.wago.com/>:

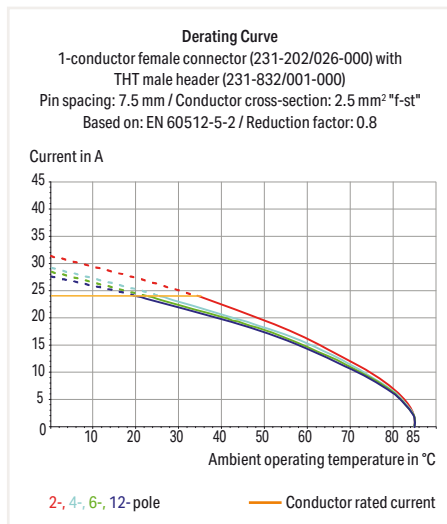
- Other pole numbers

## 1-Conductor Female Connector ▶ MCS MIDI Classic ▶ 231 Series

Pin spacing: 7.5 mm (0.295 inch) ▶ Actuation type: Operating tool ▶ CAGE CLAMP® ▶ Conductor entry direction to mating direction: 0° ▶ Color: gray



- Universal connection for all conductor types
- Easy cable pre-assembly and on-unit wiring via vertical and horizontal CAGE CLAMP® actuation
- Integrated test ports
- With coding fingers



### Electrical Data

Ratings per	IEC/EN 60664-1		
Overvoltage category	III	III	II
Pollution degree	3	2	2
Rated voltage	500 V	630 V	1000 V
Rated impulse voltage	6 kV	6 kV	6 kV
Rated current	16 A	16 A	16 A
Approvals per	UL 1059		
Use Group	B	C	D
Rated voltage	300 V	-	300 V
Rated current	15 A	-	10 A
Approvals per	UL 1977		
Rated voltage	600 V		
Rated current	-		
Approvals per	CSA		
Use Group	B	C	D
Rated voltage	300 V	-	300 V
Rated current	15 A	-	10 A

### Connection Data

Connection technology	CAGE CLAMP®
Strip length	8 ... 9 mm / 0.31 ... 0.35 inch
Solid conductor	0.08 ... 2.5 mm <sup>2</sup> / 28 ... 12 AWG
Fine-stranded conductor	0.08 ... 2.5 mm <sup>2</sup> / 28 ... 12 AWG
Fine-stranded conductor with ferrule with plastic collar	0.25 ... 1.5 mm <sup>2</sup>
Fine-stranded conductor with ferrule without plastic collar	0.25 ... 2.5 mm <sup>2</sup>

### Material Data

Material group	I
Insulating material	Polyamide 66 (PA 66)
Flammability class per UL94	V0
Clamping spring material	Chrome nickel spring steel (CrNi)
Contact material	Copper alloy
Contact plating	Tin-plated

### Environmental Requirements

Limit temperature range	-60 ... +85 °C
-------------------------	----------------

The *MULTI CONNECTION SYSTEM (MCS)* is designed without breaking capacity for compliance with DIN EN 61984. When used as intended, MCS Connectors shall not be connected/disconnected when live or under load. The circuit design should ensure header pins, which can be touched, are not live when unmated.

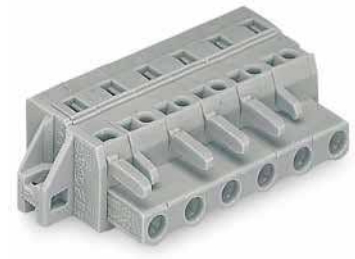
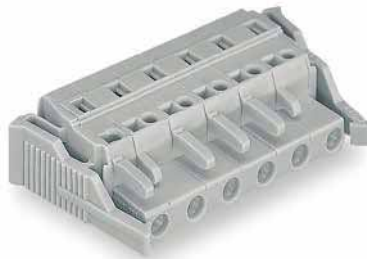
Ferrule	Page 847
General accessory	Page 723
Insulation stop	Page 723
Marking	Page 833
Mounting	Page 723, 837
Mounting adapter	Page 729
Strain relief	Page 727
Testing and measuring	Page 721, 854
Tools	Page 720, 838
Direct marking	Page 712
Cutout dimensions	Page 716
Additional information, see "Technical Section"	
Approvals and corresponding ratings, visit <a href="http://www.wago.com">www.wago.com</a>	

# 1-Conductor Female Connector ▶ MCS MIDI Classic ▶ 231 Series

Pin spacing: 7.5 mm (0.295 inch) ▶ Actuation type: Operating tool ▶ CAGE CLAMP® ▶ Conductor entry direction to mating direction: 0° ▶ Color: gray

Locking of plug-in connection: locking lever

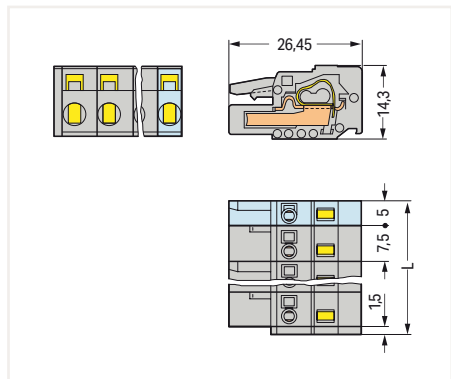
Type of mounting: Feed-through mounting, Panel mounting ▶ Mounting type: Mounting flange



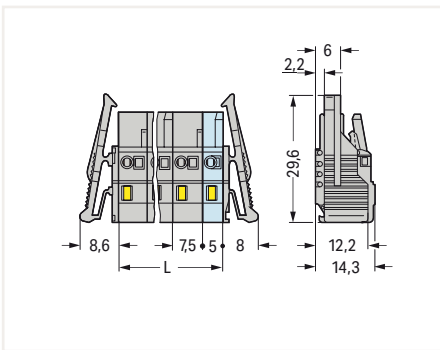
Pole No.	Item No.	PU
2	231-202/026-000	100
3	231-203/026-000	100
4	231-204/026-000	50
5	231-205/026-000	50
6	231-206/026-000	50
7	231-207/026-000	50
8	231-208/026-000	25
9	231-209/026-000	25
10	231-210/026-000	25
11	231-211/026-000	25
12	231-212/026-000	25
13	231-213/026-000	10
16	231-216/026-000	10

Pole No.	Item No.	PU
2	231-202/037-000	50
3	231-203/037-000	50
4	231-204/037-000	50
5	231-205/037-000	50
6	231-206/037-000	25
7	231-207/037-000	25
8	231-208/037-000	25
9	231-209/037-000	25
10	231-210/037-000	25
11	231-211/037-000	10
12	231-212/037-000	10
13	231-213/037-000	10
16	231-216/037-000	10

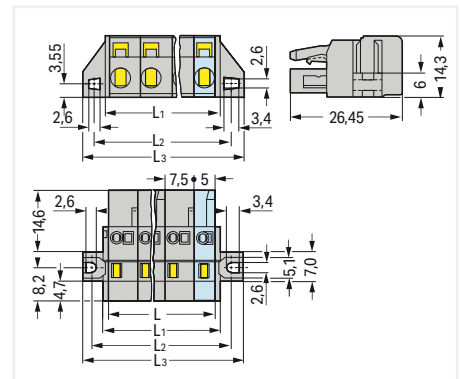
Pole No.	Item No.	PU
2	231-202/031-000	50
3	231-203/031-000	50
4	231-204/031-000	50
5	231-205/031-000	50
6	231-206/031-000	25
7	231-207/031-000	25
8	231-208/031-000	25
9	231-209/031-000	25
10	231-210/031-000	25
11	231-211/031-000	10
12	231-212/031-000	10
13	231-213/031-000	10
16	231-216/031-000	10



L = (pole no. - 1) x pin spacing + 5 mm + 1.5 mm  
2- to 3-pole female connectors – one latch only



L = (pole no. - 1) x pin spacing + 5 mm  
2- to 3-pole female connectors – one latch only



L = (pole no. - 1) x pin spacing + 5 mm  
L<sub>1</sub> = L + 3 mm  
L<sub>2</sub> = L + 8.8 mm  
L<sub>3</sub> = L + 14.8 mm  
2- to 3-pole female connectors – one latch only

PU = Packaging Unit; SPU = Subpackaging Unit; Dimensions in mm

Other variants can be requested via the WAGO sales department or, if necessary, configured at <https://configurator.wago.com/>:

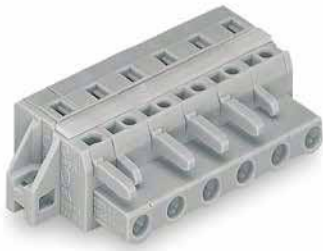
- Gold-plated or partially gold-plated contact surfaces

# 1-Conductor Female Connector ▶ MCS MIDI Classic ▶ 231 Series

Pin spacing: 7.5 mm (0.295 inch) ▶ Actuation type: Operating tool ▶ CAGE CLAMP® ▶ Conductor entry direction to mating direction: 0° ▶ Color: gray

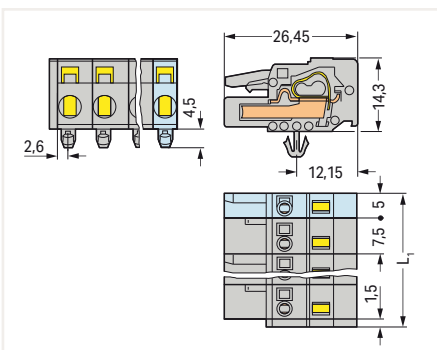
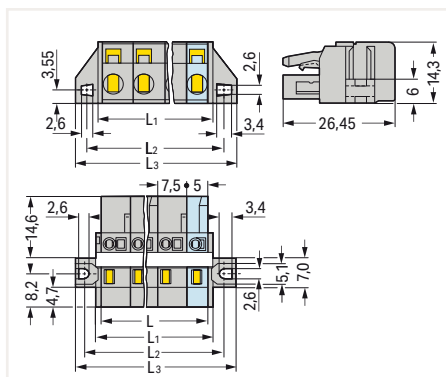
Type of mounting: Feed-through mounting, Panel mounting ▶ Mounting type: Mounting flange ▶ with reinforcing strip

Type of mounting: Panel mounting ▶ Mounting type: Snap-in mounting foot



Pole No.	Item No.	PU
6	231-206/027-000	25
7	231-207/027-000	25
8	231-208/027-000	25
9	231-209/027-000	25
10	231-210/027-000	25
11	231-211/027-000	10
12	231-212/027-000	10
13	231-213/027-000	10
16	231-216/027-000	10

Pole No.	Item No.	PU
2	231-202/008-000	100
3	231-203/008-000	100
4	231-204/008-000	50
5	231-205/008-000	50
6	231-206/008-000	50
7	231-207/008-000	50
8	231-208/008-000	25
9	231-209/008-000	25
10	231-210/008-000	25
11	231-211/008-000	25
12	231-212/008-000	25
13	231-213/008-000	10
16	231-216/008-000	10



L = (pole no. - 1) x pin spacing + 5 mm  
 L<sub>1</sub> = L + 3 mm  
 L<sub>2</sub> = L + 8.8 mm  
 L<sub>3</sub> = L + 14.8 mm  
 2- to 3-pole female connectors – one latch only

L = (pole no. - 1) x pin spacing + 5 mm + 1.5 mm  
 2- to 3-pole female connectors – one latch only

PU = Packaging Unit; SPU = Subpackaging Unit; Dimensions in mm

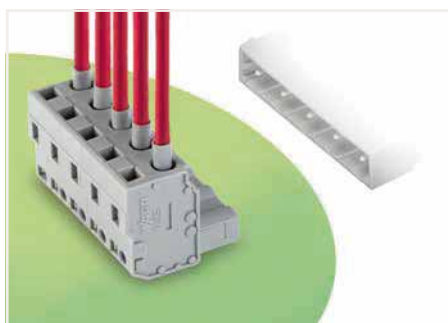
Other variants can be requested via the WAGO sales department or, if necessary, configured at <https://configurator.wago.com/>:

- Gold-plated or partially gold-plated contact surfaces

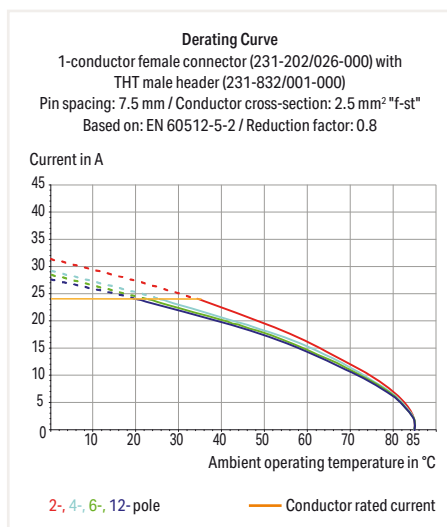


## 1-Conductor Female Connector ▶ MCS MIDI Classic ▶ 732 Series

Pin spacing: 7.5 mm (0.295 inch) ▶ Actuation type: Operating tool ▶ CAGE CLAMP® ▶ Conductor entry direction to mating direction: 270° ▶ Color: gray



- Universal connection for all conductor types
- Easy cable pre-assembly and on-unit wiring via vertical and horizontal CAGE CLAMP® actuation
- Integrated test ports
- With coding fingers



### Electrical Data

Ratings per	IEC/EN 60664-1		
Overvoltage category	III	III	II
Pollution degree	3	2	2
Rated voltage	500 V	630 V	1000 V
Rated impulse voltage	6 kV	6 kV	6 kV
Rated current	14 A	14 A	14 A
Approvals per	UL 1059		
Use Group	B	C	D
Rated voltage	300 V	-	300 V
Rated current	15 A	-	10 A
Approvals per	UL 1977		
Rated voltage	600 V		
Rated current	-		
Approvals per	CSA		
Use Group	B	C	D
Rated voltage	300 V	-	300 V
Rated current	15 A	-	10 A

### Connection Data

Connection technology	CAGE CLAMP®
Strip length	8 ... 9 mm / 0.31 ... 0.35 inch
Solid conductor	0.08 ... 2.5 mm <sup>2</sup> / 28 ... 12 AWG
Fine-stranded conductor	0.08 ... 2.5 mm <sup>2</sup> / 28 ... 12 AWG
Fine-stranded conductor with ferrule with plastic collar	0.25 ... 1.5 mm <sup>2</sup>
Fine-stranded conductor with ferrule without plastic collar	0.25 ... 2.5 mm <sup>2</sup>

### Material Data

Material group	I
Insulating material	Polyamide 66 (PA 66)
Flammability class per UL94	V0
Clamping spring material	Chrome nickel spring steel (CrNi)
Contact material	Copper alloy
Contact plating	Tin-plated

### Environmental Requirements

Limit temperature range	-60 ... +100 °C
-------------------------	-----------------

The *MULTI CONNECTION SYSTEM (MCS)* is designed without breaking capacity for compliance with DIN EN 61984. When used as intended, MCS Connectors shall not be connected/disconnected when live or under load. The circuit design should ensure header pins, which can be touched, are not live when unmated.

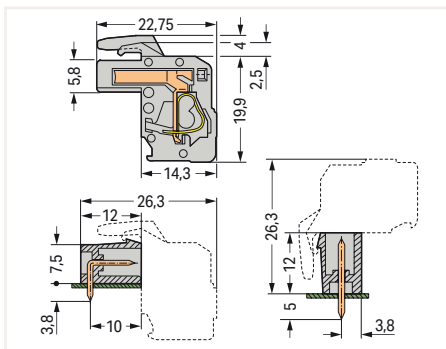
Ferrule	Page 847
Insulation stop	Page 723
Marking	Page 833
Strain relief	Page 727
Testing and measuring	Page 721, 854
Tools	Page 720
Direct marking	Page 712
Additional information, see "Technical Section"	
Approvals and corresponding ratings, visit <a href="http://www.wago.com">www.wago.com</a>	

## 1-Conductor Female Connector ▶ MCS MIDI Classic ▶ 732 Series

Pin spacing: 7.5 mm (0.295 inch) ▶ Actuation type: Operating tool ▶ CAGE CLAMP® ▶ Conductor entry direction to mating direction: 270° ▶ Color: gray



Pole No.	Item No.	PU
2	732-102/026-000	100
3	732-103/026-000	100
4	732-104/026-000	50
5	732-105/026-000	25
6	732-106/026-000	50
7	732-107/026-000	50
8	732-108/026-000	25
9	732-109/026-000	25
10	732-110/026-000	25
11	732-111/026-000	25
12	732-112/026-000	25
16	732-116/026-000	10



Total length = (pole no. - 1) x pin spacing + 5 mm + 1.5 mm + 0.9 mm

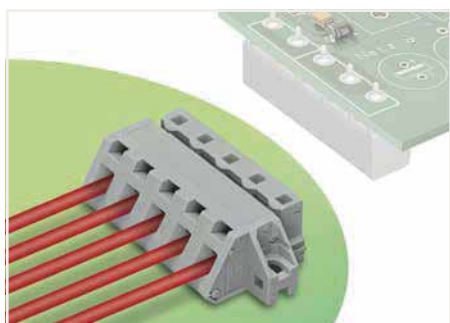
PU = Packaging Unit; SPU = Subpackaging Unit; Dimensions in mm

Other variants can be requested via the WAGO sales department or, if necessary, configured at <https://configurator.wago.com/>:

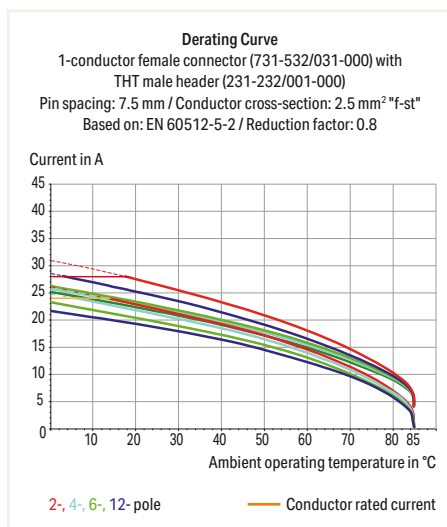
- Gold-plated or partially gold-plated contact surfaces

## 1-Conductor Female Connector ▶ MCS MIDI Classic ▶ 731 Series

Pin spacing: 7.5 mm (0.295 inch) ▶ Actuation type: Operating tool ▶ CAGE CLAMP® ▶ Conductor entry direction to mating direction: 90° ▶ Color: gray



- Universal connection for all conductor types
- Versions available with snap-in mounting feet or flanges for panel or through-panel mounting
- Mounting adapter allows versions with snap-in mounting feet to be DIN-rail mounted
- Easy conductor termination, even when halves are mated



### Electrical Data

Ratings per	IEC/EN 60664-1		
Overvoltage category	III	III	II
Pollution degree	3	2	2
Rated voltage	500 V	630 V	1000 V
Rated impulse voltage	6 kV	6 kV	6 kV
Rated current	12 A	12 A	12 A
Approvals per	UL 1059		
Use Group	B	C	D
Rated voltage	300 V	-	300 V
Rated current	15 A	-	10 A
Approvals per	UL 1977		
Rated voltage	600 V		
Rated current	-		
Approvals per	CSA		
Use Group	B	C	D
Rated voltage	300 V	-	300 V
Rated current	15 A	-	10 A

### Connection Data

Connection technology	CAGE CLAMP®
Strip length	7 ... 8 mm / 0.28 ... 0.31 inch
Solid conductor	0.08 ... 2.5 mm <sup>2</sup> / 28 ... 12 AWG
Fine-stranded conductor	0.08 ... 2.5 mm <sup>2</sup> / 28 ... 12 AWG
Fine-stranded conductor with ferrule with plastic collar	0.25 ... 1.5 mm <sup>2</sup>
Fine-stranded conductor with ferrule without plastic collar	0.25 ... 2.5 mm <sup>2</sup>

### Material Data

Material group	I
Insulating material	Polyamide 66 (PA 66)
Flammability class per UL94	V0
Clamping spring material	Chrome nickel spring steel (CrNi)
Contact material	Copper alloy
Contact plating	Tin-plated

### Environmental Requirements

Limit temperature range	-60 ... +85 °C
-------------------------	----------------

The *MULTI CONNECTION SYSTEM (MCS)* is designed without breaking capacity for compliance with DIN EN 61984. When used as intended, MCS Connectors shall not be connected/disconnected when live or under load. The circuit design should ensure header pins, which can be touched, are not live when unmated.

Ferrule	Page 847
Marking	Page 833
Mounting	Page 723, 837
Strain relief	Page 727
Testing and measuring	Page 721
Tools	Page 720, 838
Direct marking	Page 712
Additional information, see "Technical Section"	
Approvals and corresponding ratings, visit <a href="http://www.wago.com">www.wago.com</a>	



## 1-Conductor Female Connector ▶ MCS MIDI Classic ▶ 731 Series

Pin spacing: 7.5 mm (0.295 inch) ▶ Actuation type: Operating tool ▶ CAGE CLAMP® ▶ Conductor entry direction to mating direction: 90° ▶ Color: gray

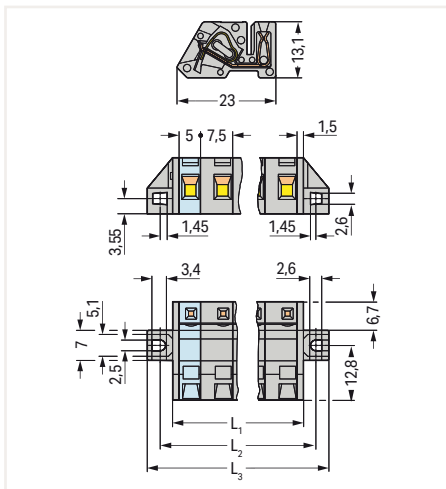
Type of mounting: Feed-through mounting, Panel mounting ▶ Mounting type: Mounting flange



Angled female connector used as through-panel connector.

Termination ports and operating slots are located outside the housing – panel thickness up to 2 mm.

Pole No.	Item No.	PU
2	731-532/031-000	50
3	731-533/031-000	50
4	731-534/031-000	50
5	731-535/031-000	25
6	731-536/031-000	25
7	731-537/031-000	25
8	731-538/031-000	25
9	731-539/031-000	25
10	731-540/031-000	25
11	731-541/031-000	10
12	731-542/031-000	10
13	731-543/031-000	10
16	731-546/031-000	10



$L_1 = (\text{pole no.} - 1) \times \text{pin spacing} + 5 \text{ mm} + 3 \text{ mm}$

$L_2 = (\text{pole no.} - 1) \times \text{pin spacing} + 5 \text{ mm} + 8.8 \text{ mm}$

$L_3 = (\text{pole no.} - 1) \times \text{pin spacing} + 5 \text{ mm} + 14.8 \text{ mm}$

PU = Packaging Unit; SPU = Subpackaging Unit; Dimensions in mm

Other variants can be requested via the WAGO sales department or, if necessary, configured at <https://configurator.wago.com/>:

- Other pole numbers
- Gold-plated or partially gold-plated contact surfaces

**1-Conductor Female Connector ▶ MCS MIDI Classic ▶ 731 Series**

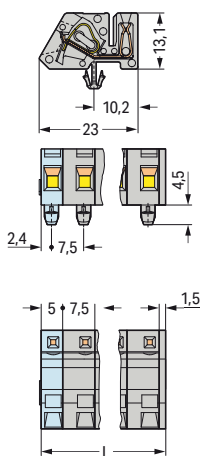
Pin spacing: 7.5 mm (0.295 inch) ▶ Actuation type: Operating tool ▶ CAGE CLAMP® ▶ Conductor entry direction to mating direction: 90° ▶ Color: gray

Type of mounting: Panel mounting ▶ Mounting type: Snap-in mounting foot



Angled female connector with DIN-35 rail-mount adapter (209-120)

Pole No.	Item No.	PU
2	731-532/008-000	100
3	731-533/008-000	100
4	731-534/008-000	50
5	731-535/008-000	50
6	731-536/008-000	50
7	731-537/008-000	50
8	731-538/008-000	25
9	731-539/008-000	25
10	731-540/008-000	25
11	731-541/008-000	25
12	731-542/008-000	25
13	731-543/008-000	10
16	731-546/008-000	10



$L = (\text{pole no.} - 1) \times \text{pin spacing} + 5 \text{ mm} + 1.5 \text{ mm}$

PU = Packaging Unit; SPU = Subpackaging Unit; Dimensions in mm

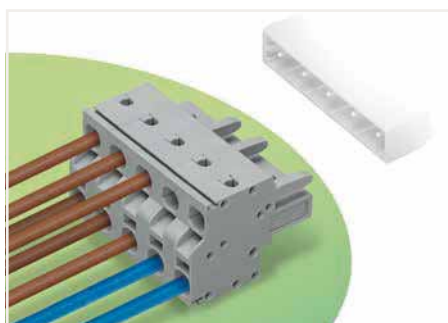
Other variants can be requested via the WAGO sales department or, if necessary, configured at <https://configurator.wago.com/>:

- Other pole numbers
- Gold-plated or partially gold-plated contact surfaces

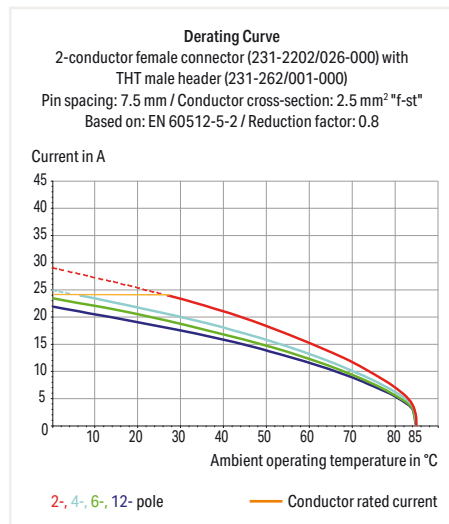


## 2-Conductor Female Connector ▶ MCS MIDI Classic ▶ 231 Series

Pin spacing: 7.5 mm (0.295 inch) ▶ Actuation type: Operating tool ▶ Push-in CAGE CLAMP® ▶ Conductor entry direction to mating direction: 0° ▶ Color: gray



- Universal connection for all conductor types
- Two conductor entries per pole
- For looping through power or Data buses
- Bus connection is retained, even when unmated
- Push-in termination of solid and ferruled conductors
- With coding fingers



### Electrical Data

Ratings per	IEC/EN 60664-1		
Overvoltage category	III	III	II
Pollution degree	3	2	2
Rated voltage	500 V	630 V	1000 V
Rated impulse voltage	6 kV	6 kV	6 kV
Rated current	16 A	16 A	16 A
Approvals per	UL 1059		
Use Group	B	C	D
Rated voltage	300 V	-	300 V
Rated current	20 A	-	10 A
Approvals per	UL 1977		
Rated voltage	600 V		
Rated current	-		
Approvals per	CSA		
Use Group	B	C	D
Rated voltage	300 V	-	300 V
Rated current	15 A	-	10 A

### Connection Data

Connection technology	Push-in CAGE CLAMP®
Strip length	9 ... 10 mm / 0.35 ... 0.39 inch
Solid conductor	0.2 ... 2.5 mm <sup>2</sup> / 24 ... 12 AWG
Fine-stranded conductor	0.2 ... 2.5 mm <sup>2</sup> / 24 ... 12 AWG
Fine-stranded conductor with ferrule with plastic collar	0.25 ... 1.5 mm <sup>2</sup>
Fine-stranded conductor with ferrule without plastic collar	0.25 ... 2.5 mm <sup>2</sup>

### Material Data

Material group	I
Insulating material	Polyamide 66 (PA 66)
Flammability class per UL94	V0
Clamping spring material	Chrome nickel spring steel (CrNi)
Contact material	Copper alloy
Contact plating	Tin-plated

### Environmental Requirements

Limit temperature range	-60 ... +85 °C
-------------------------	----------------

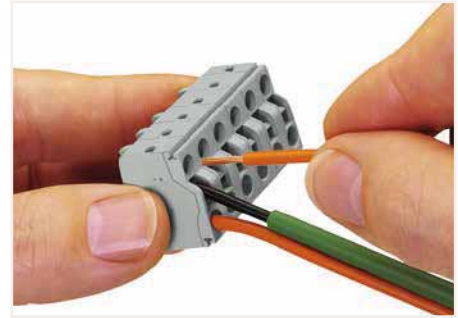
The *MULTI CONNECTION SYSTEM (MCS)* is designed without breaking capacity for compliance with DIN EN 61984. When used as intended, MCS Connectors shall not be connected/disconnected when live or under load. The circuit design should ensure header pins, which can be touched, are not live when unmated.

Ferrule	Page 847
General accessory	Page 723
Insulation stop	Page 723
Marking	Page 833
Strain relief	Page 725
Testing and measuring	Page 721, 854
Tools	Page 838
Direct marking	Page 712
Additional information, see "Technical Section"	
Approvals and corresponding ratings, visit <a href="http://www.wago.com">www.wago.com</a>	

## 2-Conductor Female Connector ▶ MCS MIDI Classic ▶ 231 Series

Pin spacing: 7.5 mm (0.295 inch) ▶ Actuation type: Operating tool ▶ Push-in CAGE CLAMP® ▶ Conductor entry direction to mating direction: 0° ▶ Color: gray

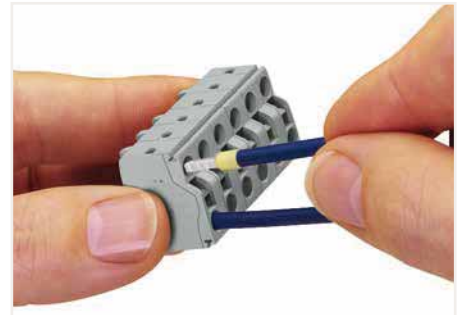
Locking of plug-in connection: locking lever



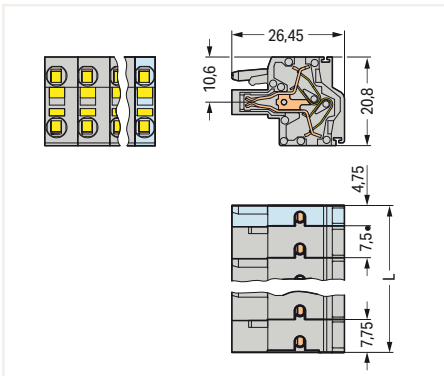
Operating Push-in CAGE CLAMP® is easy, fast and identical to that of CAGE CLAMP®. The screwdriver is fully inserted into the operating slot, holding Push-in CAGE CLAMP® open. After the conductor has been inserted into the clamping unit and the screwdriver been withdrawn, the conductor is clamped safely. Solid and fine-stranded conductors <math>< 0.5 \text{ mm}^2</math> (20 AWG) are terminated and removed using a screwdriver.

Pole No.	Item No.	PU
2	231-2202/026-000	100
3	231-2203/026-000	100
4	231-2204/026-000	50
5	231-2205/026-000	50
6	231-2206/026-000	50
7	231-2207/026-000	50
8	231-2208/026-000	25
9	231-2209/026-000	25
10	231-2210/026-000	25
11	231-2211/026-000	25
12	231-2212/026-000	25

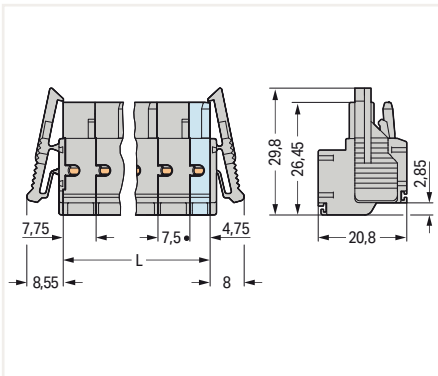
Pole No.	Item No.	PU
2	231-2202/037-000	50
3	231-2203/037-000	50
4	231-2204/037-000	50
5	231-2205/037-000	50
6	231-2206/037-000	25
7	231-2207/037-000	25
8	231-2208/037-000	25
9	231-2209/037-000	25
10	231-2210/037-000	25
11	231-2211/037-000	10
12	231-2212/037-000	10



Solid conductors  $\geq 0.5 \text{ mm}^2$  (20 AWG), as well as ferruled, fine-stranded conductors can be terminated by simply pushing them into unit. Integrated test ports allow touch contact with current bar via test probes in both horizontal and vertical directions.



L = (pole no. - 2) x pin spacing + 12.5 mm  
2- to 3-pole female connectors – one latch only



L = (pole no. - 2) x pin spacing + 12.5 mm  
2- to 3-pole female connectors – one latch only

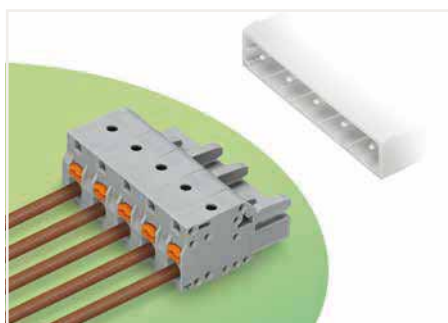
PU = Packaging Unit; SPU = Subpackaging Unit; Dimensions in mm

Other variants can be requested via the WAGO sales department or, if necessary, configured at <https://configurator.wago.com/>:

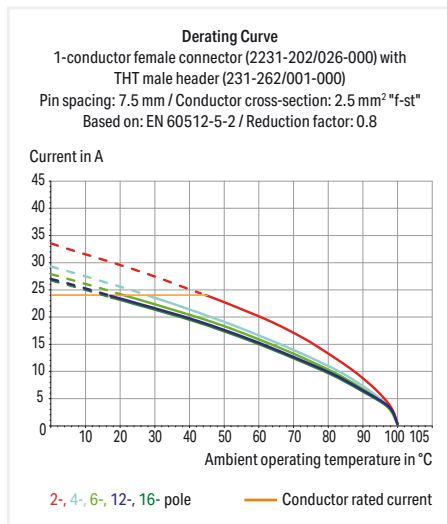
- Gold-plated or partially gold-plated contact surfaces

## 1-Conductor Female Connector ▶ MCS MIDI Classic ▶ 2231 Series

Pin spacing: 7.5 mm (0.295 inch) ▶ Actuation type: Push-button ▶ Push-in CAGE CLAMP® ▶ Conductor entry direction to mating direction: 0° ▶ Color: gray



- Universal connection for all conductor types
- Easy-to-use design does not require specialty tools
- Ability to wire while mated
- Push-in termination of solid and ferruled conductors
- Integrated test ports for testing parallel to the conductor entry
- With coding fingers



### Electrical Data

Ratings per	IEC/EN 60664-1		
Overvoltage category	III	III	II
Pollution degree	3	2	2
Rated voltage	500 V	630 V	1000 V
Rated impulse voltage	6 kV	6 kV	6 kV
Rated current	16 A	16 A	16 A
Approvals per	UL 1059		
Use Group	B	C	D
Rated voltage	300 V	300 V	300 V
Rated current	15 A	15 A	10 A
Approvals per	UL 1977		
Rated voltage	600 V		
Rated current	-		
Approvals per	CSA		
Use Group	B	C	D
Rated voltage	300 V	300 V	300 V
Rated current	15 A	15 A	10 A

### Connection Data

Connection technology	Push-in CAGE CLAMP®
Strip length	10 ... 11 mm / 0.39 ... 0.43 inch
Solid conductor	0.2 ... 2.5 mm <sup>2</sup> / 24 ... 12 AWG
Fine-stranded conductor	0.2 ... 2.5 mm <sup>2</sup> / 24 ... 12 AWG
Fine-stranded conductor with ferrule with plastic collar	0.25 ... 1.5 mm <sup>2</sup>
Fine-stranded conductor with ferrule without plastic collar	0.25 ... 2.5 mm <sup>2</sup>

### Material Data

Material group	I
Insulating material	Polyamide 66 (PA 66)
Flammability class per UL94	V0
Clamping spring material	Chrome nickel spring steel (CrNi)
Contact material	Copper alloy
Contact plating	Tin-plated

### Environmental Requirements

Limit temperature range	-60 ... +100 °C
-------------------------	-----------------

The *MULTI CONNECTION SYSTEM (MCS)* is designed without breaking capacity for compliance with DIN EN 61984. When used as intended, MCS Connectors shall not be connected/disconnected when live or under load. The circuit design should ensure header pins, which can be touched, are not live when unmated.

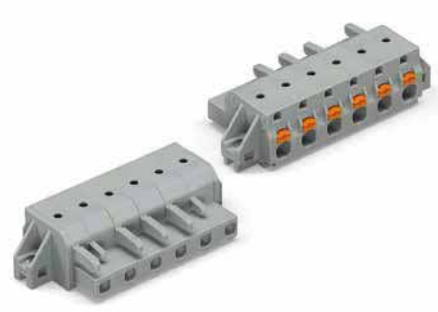
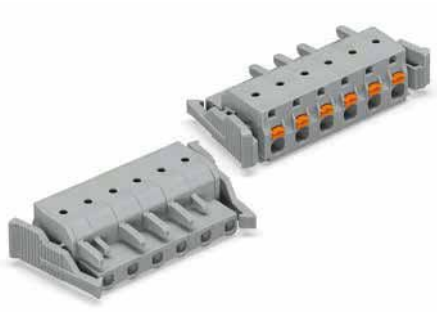
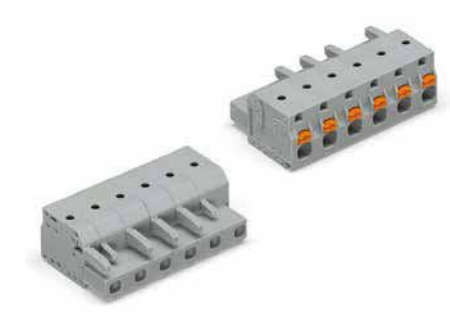
Ferrule	Page 847
Insulation stop	Page 723
Marking	Page 833
Mounting	Page 728
Strain relief	Page 725
Testing and measuring	Page 721, 854
Tools	Page 838
Cutout dimensions	Page 716
Direct marking	Page 712
Additional information, see "Technical Section"	
Approvals and corresponding ratings, visit <a href="http://www.wago.com">www.wago.com</a>	

# 1-Conductor Female Connector ▶ MCS MIDI Classic ▶ 2231 Series

Pin spacing: 7.5 mm (0.295 inch) ▶ Actuation type: Push-button ▶ Push-in CAGE CLAMP® ▶ Conductor entry direction to mating direction: 0° ▶ Color: gray

Locking of plug-in connection: locking lever

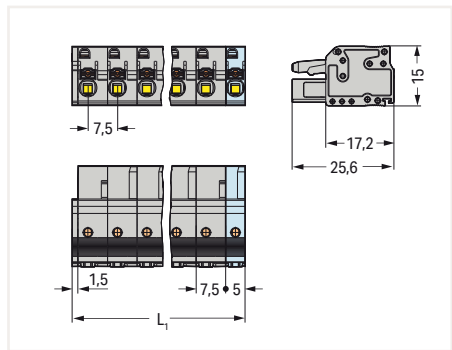
Type of mounting: Feed-through mounting, Panel mounting ▶ Mounting type: Mounting flange



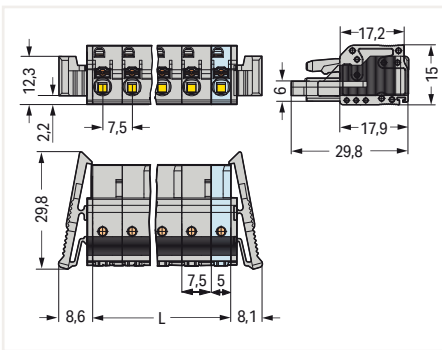
Pole No.	Item No.	PU
2	2231-202/026-000	100
3	2231-203/026-000	100
4	2231-204/026-000	50
5	2231-205/026-000	50
6	2231-206/026-000	50
7	2231-207/026-000	50
8	2231-208/026-000	25
9	2231-209/026-000	25
10	2231-210/026-000	25
11	2231-211/026-000	25
12	2231-212/026-000	25
13	2231-213/026-000	10
16	2231-216/026-000	10

Pole No.	Item No.	PU
2	2231-202/037-000	50
3	2231-203/037-000	50
4	2231-204/037-000	50
5	2231-205/037-000	50
6	2231-206/037-000	25
7	2231-207/037-000	25
8	2231-208/037-000	25
9	2231-209/037-000	25
10	2231-210/037-000	25
11	2231-211/037-000	10
12	2231-212/037-000	10
13	2231-213/037-000	10
16	2231-216/037-000	10

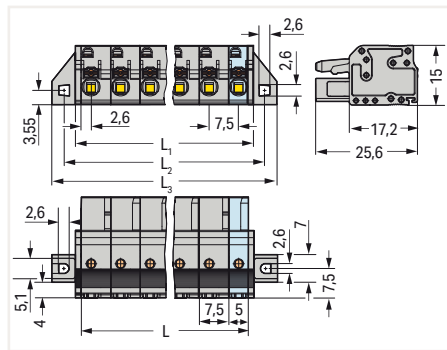
Pole No.	Item No.	PU
2	2231-202/031-000	50
3	2231-203/031-000	50
4	2231-204/031-000	50
5	2231-205/031-000	50
6	2231-206/031-000	25
7	2231-207/031-000	25
8	2231-208/031-000	25
9	2231-209/031-000	25
10	2231-210/031-000	25
11	2231-211/031-000	10
12	2231-212/031-000	10
13	2231-213/031-000	10
16	2231-216/031-000	10



$L_1 = (\text{pole no.} - 1) \times \text{pin spacing} + 5 \text{ mm} + 1.5 \text{ mm}$   
 2- to 3-pole female connectors – one latch only



$L = (\text{pole no.} - 1) \times \text{pin spacing} + 5 \text{ mm}$   
 2- to 3-pole female connectors – one latch only



$L = (\text{pole no.} - 1) \times \text{pin spacing} + 5 \text{ mm}$   
 $L_1 = L + 2.8 \text{ mm}$   
 $L_2 = L + 8.8 \text{ mm}$   
 $L_3 = L + 14.8 \text{ mm}$   
 2- to 3-pole female connectors – one latch only

PU = Packaging Unit; SPU = Subpackaging Unit; Dimensions in mm

Other variants can be requested via the WAGO sales department or, if necessary, configured at <https://configurator.wago.com/>:

- Gold-plated or partially gold-plated contact surfaces

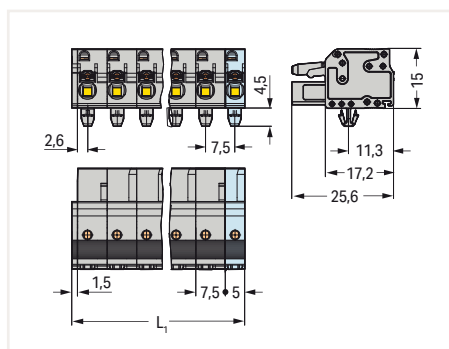
**1-Conductor Female Connector ▶ MCS MIDI Classic ▶ 2231 Series**

Pin spacing: 7.5 mm (0.295 inch) ▶ Actuation type: Push-button ▶ Push-in CAGE CLAMP® ▶ Conductor entry direction to mating direction: 0° ▶ Color: gray

Type of mounting: Panel mounting ▶ Mounting type:  
Snap-in mounting foot



Pole No.	Item No.	PU
2	2231-202/008-000	100
3	2231-203/008-000	100
4	2231-204/008-000	50
5	2231-205/008-000	50
6	2231-206/008-000	50
7	2231-207/008-000	50
8	2231-208/008-000	25
9	2231-209/008-000	25
10	2231-210/008-000	25
11	2231-211/008-000	25
12	2231-212/008-000	25
13	2231-213/008-000	10
16	2231-216/008-000	10



$L_1 = (\text{pole no.} - 1) \times \text{pin spacing} + 5 \text{ mm} + 1.5 \text{ mm}$   
2- to 3-pole female connectors – one latch only

PU = Packaging Unit; SPU = Subpackaging Unit; Dimensions in mm

Other variants can be requested via the WAGO sales department or, if necessary, configured at <https://configurator.wago.com/>:

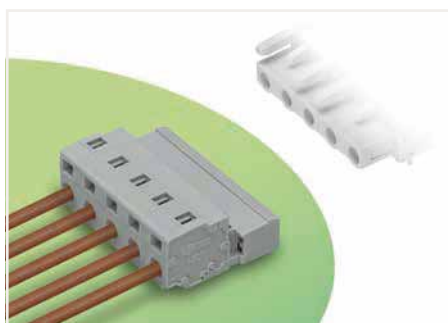
- Gold-plated or partially gold-plated contact surfaces



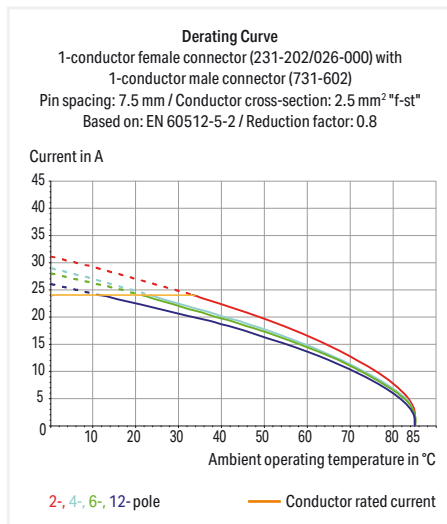


**1-Conductor Male Connector ▶ MCS MIDI Classic ▶ 731 Series**

Pin spacing: 7.5 mm (0.295 inch) ▶ Actuation type: Operating tool ▶ CAGE CLAMP® ▶ Conductor entry direction to mating direction: 0° ▶ Color: gray



- Universal connection for all conductor types
- Easy cable pre-assembly and on-unit wiring via vertical and horizontal CAGE CLAMP® actuation
- For wire-to-wire and board-to-wire connections
- Versions available with snap-in mounting feet or flanges for panel or through-panel mounting
- With coding fingers

**Electrical Data**

Ratings per	IEC/EN 60664-1		
Overvoltage category	III	III	II
Pollution degree	3	2	2
Rated voltage	500 V	630 V	1000 V
Rated impulse voltage	6 kV	6 kV	6 kV
Rated current	12 A	12 A	12 A
Approvals per	UL 1059		
Use Group	B	C	D
Rated voltage	300 V	-	300 V
Rated current	15 A	-	10 A
Approvals per	UL 1977		
Rated voltage	600 V		
Rated current	-		
Approvals per	CSA		
Use Group	B	C	D
Rated voltage	300 V	-	300 V
Rated current	15 A	-	10 A

**Connection Data**

Connection technology	CAGE CLAMP®
Solid conductor	0.08 ... 2.5 mm <sup>2</sup> / 28 ... 12 AWG
Fine-stranded conductor	0.08 ... 2.5 mm <sup>2</sup> / 28 ... 12 AWG
Fine-stranded conductor with ferrule with plastic collar	0.25 ... 1.5 mm <sup>2</sup>
Fine-stranded conductor with ferrule without plastic collar	0.25 ... 2.5 mm <sup>2</sup>

**Material Data**

Material group	I
Insulating material	Polyamide 66 (PA 66)
Flammability class per UL94	V0
Clamping spring material	Chrome nickel spring steel (CrNi)
Contact material	Electrolytic copper (Ecu)
Contact plating	Tin-plated

**Environmental Requirements**

Limit temperature range	-60 ... +100 °C
-------------------------	-----------------

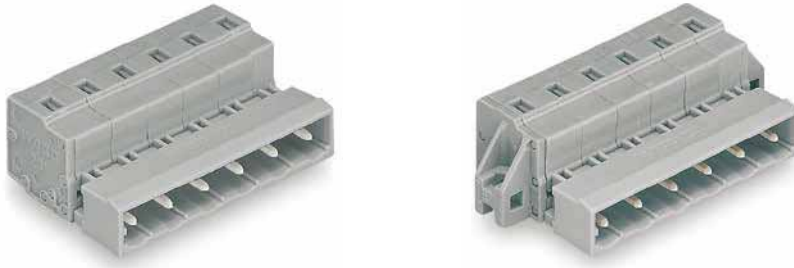
The *MULTI CONNECTION SYSTEM (MCS)* is designed without breaking capacity for compliance with DIN EN 61984. When used as intended, MCS Connectors shall not be connected/disconnected when live or under load. The circuit design should ensure header pins, which can be touched, are not live when unmated.

Coding	Page 722
Ferrule	Page 847
General accessory	Page 723
Insulation stop	Page 723
Marking	Page 833
Mounting	Page 723, 837
Mounting adapter	Page 729
Strain relief	Page 727
Tools	Page 720, 838
Direct marking	Page 712
Additional information, see "Technical Section"	
Approvals and corresponding ratings, visit <a href="http://www.wago.com">www.wago.com</a>	

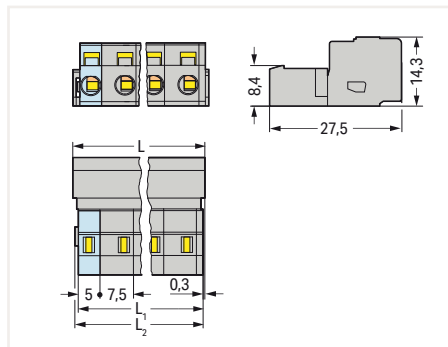
## 1-Conductor Male Connector ▶ MCS MIDI Classic ▶ 731 Series

Pin spacing: 7.5 mm (0.295 inch) ▶ Actuation type: Operating tool ▶ CAGE CLAMP® ▶ Conductor entry direction to mating direction: 0° ▶ Color: gray

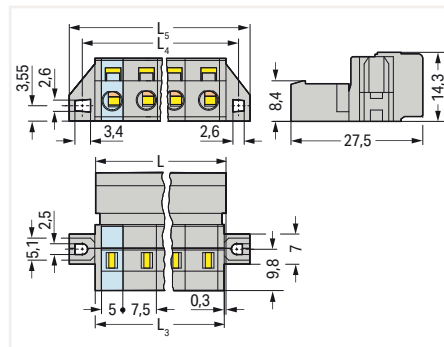
Type of mounting: Feed-through mounting, Panel mounting ▶ Mounting type: Mounting flange



Pole No.	Item No.	PU	Pole No.	Item No.	PU
2	731-602	100	2	731-602/019-000	50
3	731-603	100	3	731-603/019-000	50
4	731-604	50	4	731-604/019-000	50
5	731-605	50	5	731-605/019-000	50
6	731-606	50	6	731-606/019-000	25
7	731-607	50	7	731-607/019-000	25
8	731-608	25	8	731-608/019-000	25
9	731-609	25	9	731-609/019-000	25
10	731-610	25	10	731-610/019-000	25
11	731-611	25	11	731-611/019-000	10
12	731-612	25	12	731-612/019-000	10
13	731-613	10	13	731-613/019-000	10
16	731-616	10	16	731-616/019-000	10



$L = (\text{pole no.} - 1) \times \text{pin spacing} + 8.2 \text{ mm}$   
 $L_1 = L - 1.7 \text{ mm}$   
 $L_2 = L - 1.2 \text{ mm}$



$L = (\text{pole no.} - 1) \times \text{pin spacing} + 8.2 \text{ mm}$   
 $L_3 = L - 0.2 \text{ mm}$   
 $L_4 = L_3 + 5.8 \text{ mm}$   
 $L_5 = L_3 + 11.8 \text{ mm}$

PU = Packaging Unit; SPU = Subpackaging Unit; Dimensions in mm

Other variants can be requested via the WAGO sales department or, if necessary, configured at <https://configurator.wago.com/>:

- Other pole numbers
- Gold-plated or partially gold-plated contact surfaces

**1-Conductor Male Connector ▶ MCS MIDI Classic ▶ 731 Series**

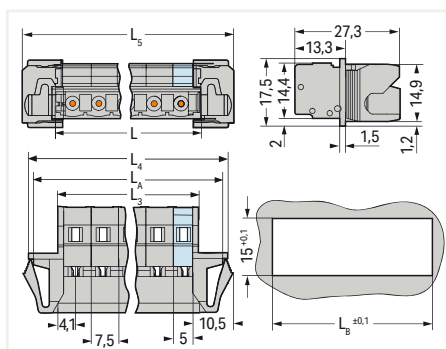
Pin spacing: 7.5 mm (0.295 inch) ▶ Actuation type: Operating tool ▶ CAGE CLAMP® ▶ Conductor entry direction to mating direction: 0° ▶ Color: gray

Type of mounting: Feed-through mounting ▶ Mounting type: Snap-in



Male connector, with snap-in flanges for feedthrough applications, for 0.5 ... 2.5 mm plate thickness

Pole No.	Item No.	PU
2	731-602/114-000	50
3	731-603/114-000	50
4	731-604/114-000	50
5	731-605/114-000	25
6	731-606/114-000	25
7	731-607/114-000	25
8	731-608/114-000	25
9	731-609/114-000	25
10	731-610/114-000	10
11	731-611/114-000	10
12	731-612/114-000	10
13	731-613/114-000	10
16	731-616/114-000	10



$L = (\text{pole no.} - 1) \times \text{pin spacing} + 8.2 \text{ mm}$

$L_3 = L - 0.2 \text{ mm}$

$L_4 = L_3 + 15.2 \text{ mm}$

$L_5 = L_3 + 18 \text{ mm}$

$L_6 = L_3 + 12.6 \text{ mm}$

$L_8 = L_3 + 13.2 \text{ mm}$

PU = Packaging Unit; SPU = Subpackaging Unit; Dimensions in mm

Other variants can be requested via the WAGO sales department or, if necessary, configured at <https://configurator.wago.com/>:

- Other pole numbers
- Gold-plated or partially gold-plated contact surfaces

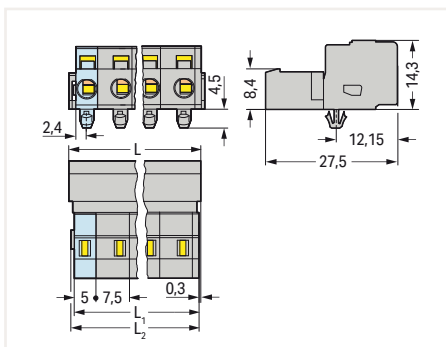
## 1-Conductor Male Connector ▶ MCS MIDI Classic ▶ 731 Series

Pin spacing: 7.5 mm (0.295 inch) ▶ Actuation type: Operating tool ▶ CAGE CLAMP® ▶ Conductor entry direction to mating direction: 0° ▶ Color: gray

Type of mounting: Panel mounting ▶ Mounting type:  
Snap-in mounting foot



Pole No.	Item No.	PU
2	731-602/018-000	100
3	731-603/018-000	100
4	731-604/018-000	50
5	731-605/018-000	50
6	731-606/018-000	50
7	731-607/018-000	50
8	731-608/018-000	25
9	731-609/018-000	25
10	731-610/018-000	25
11	731-611/018-000	25
12	731-612/018-000	25
13	731-613/018-000	10
16	731-616/018-000	10



$L = (\text{pole no.} - 1) \times \text{pin spacing} + 8.2 \text{ mm}$

$L_1 = L - 1.7 \text{ mm}$

$L_2 = L - 1.2 \text{ mm}$

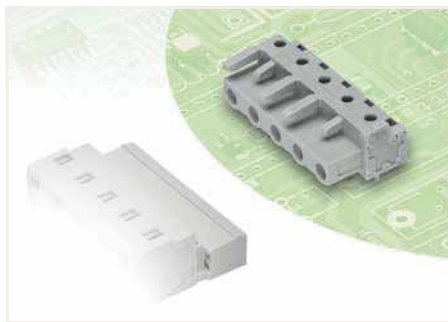
PU = Packaging Unit; SPU = Subpackaging Unit; Dimensions in mm

Other variants can be requested via the WAGO sales department or, if necessary, configured at <https://configurator.wago.com/>:

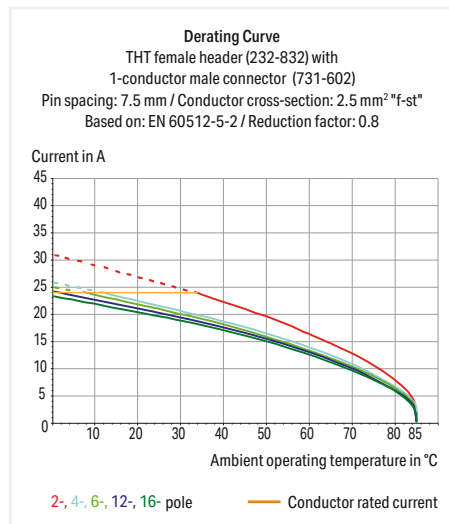
- Other pole numbers
- Gold-plated or partially gold-plated contact surfaces

**THT Female Header ▶ MCS MIDI Classic ▶ 232 Series**

Pin spacing: 7.5 mm (0.295 inch) ▶ Solder pin dimensions: 0.6 x 1 mm ▶ Color: gray



- Horizontal or vertical PCB mounting via straight or angled solder pins
- For board-to-board and board-to-wire connections
- Touch-proof PCB outputs
- Easy-to-identify PCB inputs and outputs
- With coding fingers

**Electrical Data**

Ratings per	IEC/EN 60664-1		
Overvoltage category	III	III	II
Pollution degree	3	2	2
Rated voltage	500 V	630 V	1000 V
Rated impulse voltage	6 kV	6 kV	6 kV
Rated current	12 A	12 A	12 A
Approvals per	UL 1059		
Use Group	B	C	D
Rated voltage	300 V	-	300 V
Rated current	15 A	-	10 A
Approvals per	UL 1977		
Rated voltage	600 V		
Rated current	-		
Approvals per	CSA		
Use Group	B	C	D
Rated voltage	300 V	-	300 V
Rated current	15 A	-	10 A

**Material Data**

Material group	I
Insulating material	Polyamide 66 (PA 66)
Flammability class per UL94	V0
Contact material	Copper alloy
Contact plating	Tin-plated

**Mechanical Data**

Solder pin arrangement	Over the entire female connector, in line
Solder pin length	5 mm
Solder pin dimensions	0.6 x 1 mm
Drilled hole diameter (tolerance)	1.3 <sup>(+0.1)</sup> mm

**Environmental Requirements**

Limit temperature range	-60 ... +85 °C
-------------------------	----------------

The *MULTI CONNECTION SYSTEM (MCS)* is designed without breaking capacity for compliance with DIN EN 61984. When used as intended, MCS Connectors shall not be connected/disconnected when live or under load. The circuit design should ensure header pins, which can be touched, are not live when unmated.

Mounting Page 723, 837

Testing and measuring Page 721, 854

Cutout dimensions Page 716

Additional information, see "Technical Section"

Approvals and corresponding ratings, visit [www.wago.com](http://www.wago.com)

## THT Female Header ▶ MCS MIDI Classic ▶ 232 Series

Pin spacing: 7.5 mm (0.295 inch) ▶ Solder pin dimensions: 0.6 x 1 mm ▶ Color: gray

Mating direction to the PCB: 0°

Mating direction to the PCB: 90°

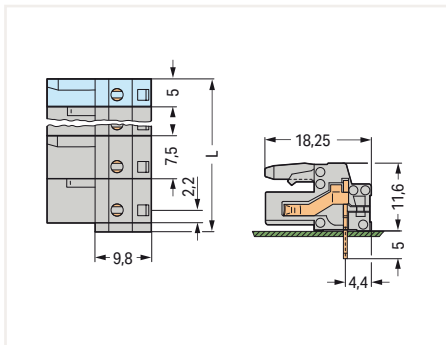
Locking of plug-in connection: locking lever ▶ Mating direction to the PCB: 0°



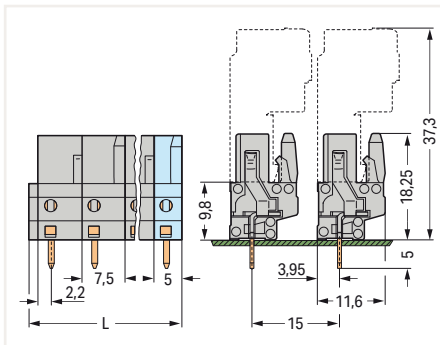
Pole No.	Item No.	PU
2	232-832	100
3	232-833	100
4	232-834	50
5	232-835	50
6	232-836	50
7	232-837	50
8	232-838	25
9	232-839	25
10	232-840	25
11	232-841	25
12	232-842	25
13	232-843	10
16	232-846	10

Pole No.	Item No.	PU
2	232-732	100
3	232-733	100
4	232-734	50
5	232-735	50
6	232-736	50
7	232-737	50
8	232-738	25
9	232-739	25
10	232-740	25
11	232-741	25
12	232-742	25
13	232-743	10
16	232-746	10

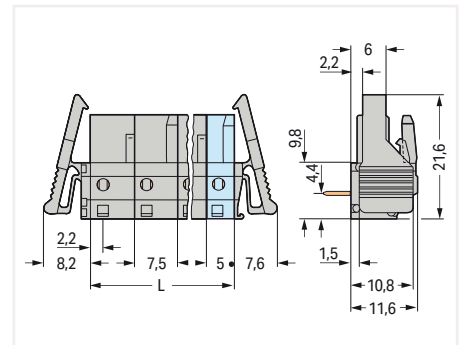
Pole No.	Item No.	PU
2	232-832/039-000	50
3	232-833/039-000	50
4	232-834/039-000	50
5	232-835/039-000	50
6	232-836/039-000	25
7	232-837/039-000	25
8	232-838/039-000	25
9	232-839/039-000	25
10	232-840/039-000	25
11	232-841/039-000	10
12	232-842/039-000	10
13	232-843/039-000	10
16	232-846/039-000	10



$L = (\text{pole no.} - 1) \times \text{pin spacing} + 5 \text{ mm} + 1.5 \text{ mm}$   
 Distance to first solder pin: 2.2 mm  
 2- to 3-pole female connectors – one latch only



$L = (\text{pole no.} - 1) \times \text{pin spacing} + 5 \text{ mm} + 1.5 \text{ mm}$   
 2- to 3-pole female connectors – one latch only



$L = (\text{pole no.} - 1) \times \text{pin spacing} + 5 \text{ mm}$   
 Distance to first solder pin: 2.2 mm  
 2- to 3-pole female connectors – one latch only

9

PU = Packaging Unit; SPU = Subpackaging Unit; Dimensions in mm

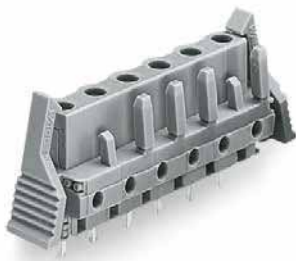
Other variants can be requested via the WAGO sales department or, if necessary, configured at <https://configurator.wago.com/>:

- Other pole numbers
- 3.8 mm pin projection for male headers with straight solder pins
- Gold-plated or partially gold-plated contact surfaces

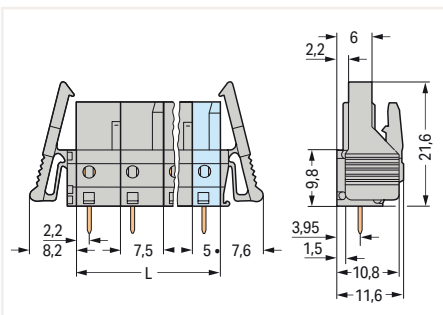
**THT Female Header ▶ MCS MIDI Classic ▶ 232 Series**

Pin spacing: 7.5 mm (0.295 inch) ▶ Solder pin dimensions: 0.6 x 1 mm ▶ Color: gray

Locking of plug-in connection: locking lever ▶ Mating direction to the PCB: 90°



Pole No.	Item No.	PU
2	232-732/039-000	50
3	232-733/039-000	50
4	232-734/039-000	50
5	232-735/039-000	50
6	232-736/039-000	25
7	232-737/039-000	25
8	232-738/039-000	25
9	232-739/039-000	25
10	232-740/039-000	25
11	232-741/039-000	10
12	232-742/039-000	10
13	232-743/039-000	10
16	232-746/039-000	10



L = (pole no. - 1) x pin spacing + 5 mm

2- to 3-pole female connectors – one latch only

PU = Packaging Unit; SPU = Subpackaging Unit; Dimensions in mm

Other variants can be requested via the WAGO sales department or, if necessary, configured at <https://configurator.wago.com/>:

- Other pole numbers
- 3.8 mm pin projection for male headers with straight solder pins
- Gold-plated or partially gold-plated contact surfaces



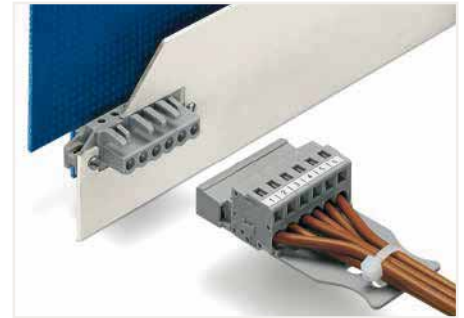
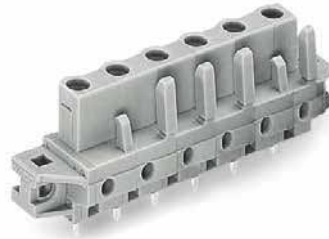
## THT Female Header ▶ MCS MIDI Classic ▶ 232 Series

Pin spacing: 7.5 mm (0.295 inch) ▶ Solder pin dimensions: 0.6 x 1 mm ▶ Color: gray

Type of mounting: Feed-through mounting, Panel mounting ▶ Mounting type: Mounting flange

Mating direction to the PCB: 0°

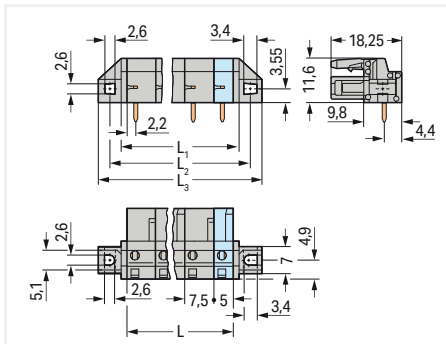
Mating direction to the PCB: 90°



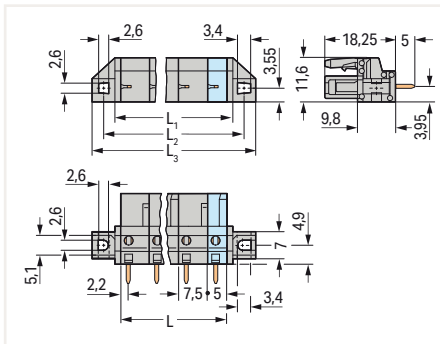
The innovative flange design provides standard panel mounting options or various through-panel mounting configurations. Depending on the type of application and flange, female headers can be used either for through-panel or flush mount applications.

Pole No.	Item No.	PU
2	232-832/031-000	50
3	232-833/031-000	50
4	232-834/031-000	50
5	232-835/031-000	50
6	232-836/031-000	25
7	232-837/031-000	25
8	232-838/031-000	25
9	232-839/031-000	25
10	232-840/031-000	25
11	232-841/031-000	10
12	232-842/031-000	10
13	232-843/031-000	10
16	232-846/031-000	10

Pole No.	Item No.	PU
2	232-732/031-000	50
3	232-733/031-000	50
4	232-734/031-000	50
5	232-735/031-000	50
6	232-736/031-000	25
7	232-737/031-000	25
8	232-738/031-000	25
9	232-739/031-000	25
10	232-740/031-000	25
11	232-741/031-000	10
12	232-742/031-000	25
13	232-743/031-000	10
16	232-746/031-000	10



L = (pole no. - 1) x pin spacing + 5 mm  
 L1 = L + 3 mm  
 L2 = L + 8.8 mm  
 L3 = L + 14.8 mm  
 2- to 3-pole female connectors – one latch only



L = (pole no. - 1) x pin spacing + 5 mm  
 L1 = L + 3 mm  
 L2 = L + 8.8 mm  
 L3 = L + 14.8 mm  
 2- to 3-pole female connectors – one latch only

PU = Packaging Unit; SPU = Subpackaging Unit; Dimensions in mm

Other variants can be requested via the WAGO sales department or, if necessary, configured at <https://configurator.wago.com/>:

- Other pole numbers
- 3.8 mm pin projection for male headers with straight solder pins
- Gold-plated or partially gold-plated contact surfaces

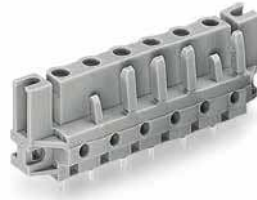
# THT Female Header ▶ MCS MIDI Classic ▶ 232 Series

Pin spacing: 7.5 mm (0.295 inch) ▶ Solder pin dimensions: 0.6 x 1 mm ▶ Color: gray

Type of mounting: Flush mounting, Panel mounting ▶ Mounting type: Mounting flange

Mating direction to the PCB: 0°

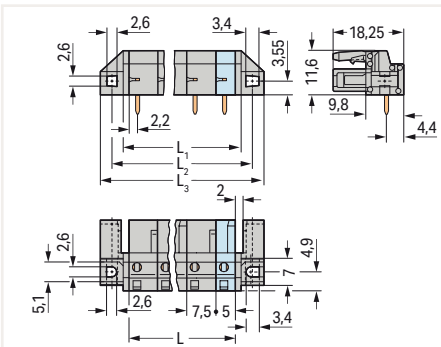
Mating direction to the PCB: 90°



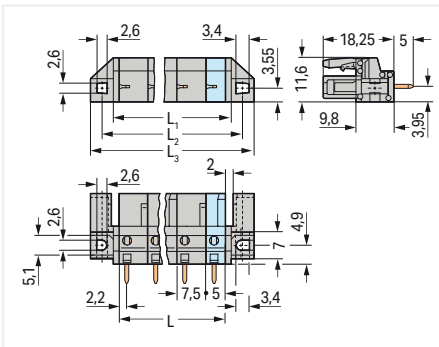
The innovative flange design provides standard panel mounting options or various through-panel mounting configurations. Depending on the type of application and flange, female headers can be used either for through-panel or flush mount applications.

Pole No.	Item No.	PU
2	232-832/047-000	50
3	232-833/047-000	50
4	232-834/047-000	50
5	232-835/047-000	50
6	232-836/047-000	25
7	232-837/047-000	25
8	232-838/047-000	25
9	232-839/047-000	25
10	232-840/047-000	25
11	232-841/047-000	10
12	232-842/047-000	10
13	232-843/047-000	10
16	232-846/047-000	10

Pole No.	Item No.	PU
2	232-732/047-000	100
3	232-733/047-000	50
4	232-734/047-000	50
5	232-735/047-000	50
6	232-736/047-000	25
7	232-737/047-000	50
8	232-738/047-000	25
9	232-739/047-000	25
10	232-740/047-000	25
11	232-741/047-000	25
12	232-742/047-000	25
13	232-743/047-000	10
16	232-746/047-000	10



L = (pole no. - 1) x pin spacing + 5 mm  
 L1 = L + 3 mm  
 L2 = L + 8.8 mm  
 L3 = L + 14.8 mm  
 2- to 3-pole female connectors – one latch only



L = (pole no. - 1) x pin spacing + 5 mm  
 L1 = L + 3 mm  
 L2 = L + 8.8 mm  
 L3 = L + 14.8 mm  
 2- to 3-pole female connectors – one latch only

PU = Packaging Unit; SPU = Subpackaging Unit; Dimensions in mm

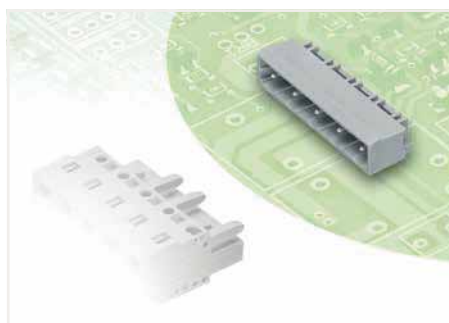
Other variants can be requested via the WAGO sales department or, if necessary, configured at <https://configurator.wago.com/>:

- Other pole numbers
- 3.8 mm pin projection for male headers with straight solder pins
- Gold-plated or partially gold-plated contact surfaces

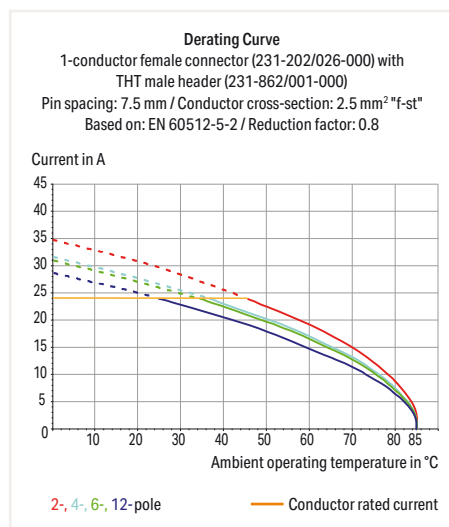


**THT Male Header ▶ MCS MIDI Classic ▶ 231 Series**

Pin spacing: 7.5 mm (0.295 inch) ▶ Solder pin dimensions: 1 x 1 mm ▶ Color: gray



- Horizontal or vertical PCB mounting via straight or angled solder pins
- Pin cross-section: 1 x 1 mm
- With coding fingers

**Electrical Data**

Ratings per	IEC/EN 60664-1		
Overvoltage category	III	III	II
Pollution degree	3	2	2
Rated voltage	500 V	630 V	1000 V
Rated impulse voltage	6 kV	6 kV	6 kV
Rated current	12 A	12 A	12 A
Approvals per	UL 1059		
Use Group	B	C	D
Rated voltage	300 V	-	300 V
Rated current	10 A	-	10 A
Approvals per	UL 1977		
Rated voltage	600 V		
Rated current	-		
Approvals per	CSA		
Use Group	B	C	D
Rated voltage	300 V	-	300 V
Rated current	10 A	-	10 A

**Material Data**

Material group	I
Insulating material	Polyamide 66 (PA 66)
Flammability class per UL94	V0
Contact material	Electrolytic copper (Ecu)
Contact plating	Tin-plated

**Mechanical Data**

Solder pin arrangement	Over the entire male connector, in line
Solder pin dimensions	1 x 1 mm
Drilled hole diameter (tolerance)	1.4 <sup>(+0.1)</sup> mm

**Environmental Requirements**

Limit temperature range	-60 ... +100 °C
-------------------------	-----------------

The *MULTI CONNECTION SYSTEM (MCS)* is designed without breaking capacity for compliance with DIN EN 61984. When used as intended, MCS Connectors shall not be connected/disconnected when live or under load. The circuit design should ensure header pins, which can be touched, are not live when unmated.

Coding	Page 722
Mounting	Page 723, 837
Cutout dimensions	Page 716
Additional information, see "Technical Section"	
Approvals and corresponding ratings, visit <a href="http://www.wago.com">www.wago.com</a>	

# THT Male Header ▶ MCS MIDI Classic ▶ 231 Series

Pin spacing: 7.5 mm (0.295 inch) ▶ Solder pin dimensions: 1 x 1 mm ▶ Color: gray

Mating direction to the PCB: 0°

Mating direction to the PCB: 90°

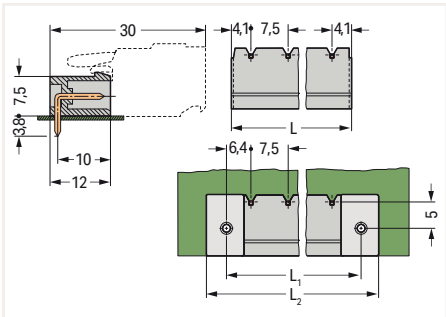
Type of mounting: Feed-through mounting, Panel mounting ▶ Mounting type: Mounting flange ▶ Mating direction to the PCB: 0°



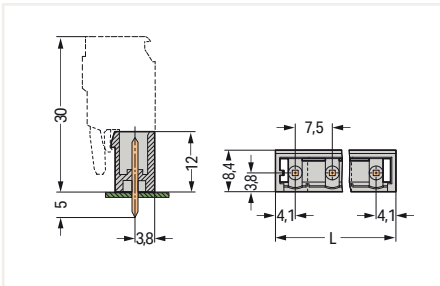
Pole No.	Item No.	PU
2	231-832/001-000	200
3	231-833/001-000	200
4	231-834/001-000	100
5	231-835/001-000	100
6	231-836/001-000	100
7	231-837/001-000	50
8	231-838/001-000	50
9	231-839/001-000	50
10	231-840/001-000	50
11	231-841/001-000	50
12	231-842/001-000	50
13	231-843/001-000	50
16	231-846/001-000	50

Pole No.	Item No.	PU
2	231-232/001-000	200
3	231-233/001-000	200
4	231-234/001-000	100
5	231-235/001-000	100
6	231-236/001-000	100
7	231-237/001-000	50
8	231-238/001-000	50
9	231-239/001-000	50
10	231-240/001-000	50
11	231-241/001-000	50
12	231-242/001-000	50
13	231-243/001-000	50
16	231-246/001-000	50

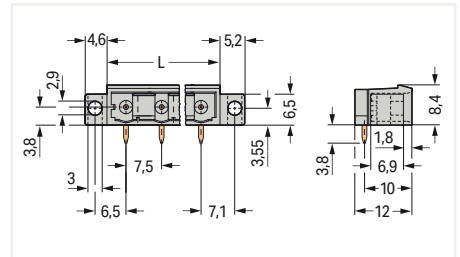
Pole No.	Item No.	PU
10	231-840/040-000	50



$L = (\text{pole no.} - 1) \times \text{pin spacing} + 8.2 \text{ mm}$   
 $L_1 = L + 5 \text{ mm}$   
 $L_2 = L_1 + 7.4 \text{ mm}$



$L = (\text{pole no.} - 1) \times \text{pin spacing} + 8.2 \text{ mm}$



$L = (\text{pole no.} - 1) \times \text{pin spacing} + 8.2 \text{ mm}$

PU = Packaging Unit; SPU = Subpackaging Unit; Dimensions in mm

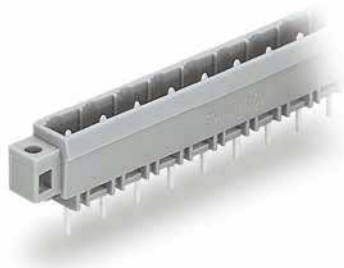
Other variants can be requested via the WAGO sales department or, if necessary, configured at <https://configurator.wago.com/>:

- Other pole numbers
- 3.8 mm pin projection for male headers with straight solder pins
- Gold-plated or partially gold-plated contact surfaces

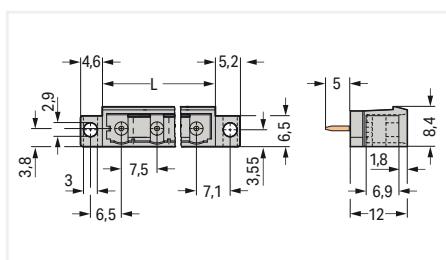
**THT Male Header ▶ MCS MIDI Classic ▶ 231 Series**

Pin spacing: 7.5 mm (0.295 inch) ▶ Solder pin dimensions: 1 x 1 mm ▶ Color: gray

Type of mounting: Feed-through mounting, Panel mounting ▶ Mounting type: Mounting flange ▶ Mating direction to the PCB: 90°



Pole No.	Item No.	PU
10	231-240/040-000	25



$L = (\text{pole no.} - 1) \times \text{pin spacing} + 8.2 \text{ mm}$

PU = Packaging Unit; SPU = Subpackaging Unit; Dimensions in mm

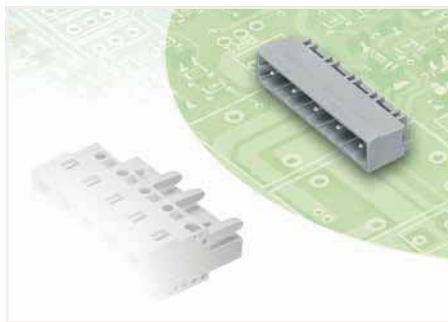
Other variants can be requested via the WAGO sales department or, if necessary, configured at <https://configurator.wago.com/>:

- Other pole numbers
- 3.8 mm pin projection for male headers with straight solder pins
- Gold-plated or partially gold-plated contact surfaces

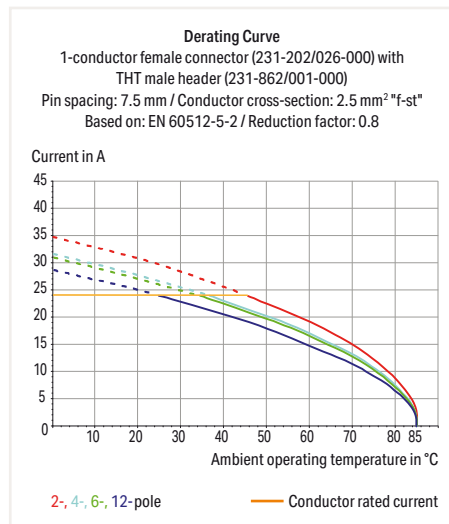


**THT Male Header ▶ MCS MIDI Classic ▶ 231 Series**

Pin spacing: 7.5 mm (0.295 inch) ▶ Solder pin dimensions: 1.2 x 1.2 mm ▶ Color: gray



- Horizontal or vertical PCB mounting via straight or angled solder pins
- 1.2 x 1.2 mm solder pins allow nominal current up to 16 A, enhancing stability of shorter headers
- With coding fingers

**Electrical Data**

Ratings per	IEC/EN 60664-1		
Overvoltage category	III	III	II
Pollution degree	3	2	2
Rated voltage	500 V	630 V	1000 V
Rated impulse voltage	6 kV	6 kV	6 kV
Rated current	16 A	16 A	16 A
Approvals per	UL 1059		
Use Group	B	C	D
Rated voltage	300 V	-	300 V
Rated current	15 A	-	10 A
Approvals per	UL 1977		
Rated voltage	600 V		
Rated current	-		
Approvals per	CSA		
Use Group	B	C	D
Rated voltage	300 V	-	300 V
Rated current	15 A	-	10 A

**Material Data**

Material group	I
Insulating material	Polyamide 66 (PA 66)
Flammability class per UL94	V0
Contact material	Electrolytic copper (Ecu)
Contact plating	Tin-plated

**Mechanical Data**

Solder pin arrangement	Over the entire male connector, in line
Solder pin dimensions	1.2 x 1.2 mm
Drilled hole diameter (tolerance)	1.7 <sup>(+0.1)</sup> mm

**Environmental Requirements**

Limit temperature range	-60 ... +100 °C
-------------------------	-----------------

The *MULTI CONNECTION SYSTEM (MCS)* is designed without breaking capacity for compliance with DIN EN 61984. When used as intended, MCS Connectors shall not be connected/disconnected when live or under load. The circuit design should ensure header pins, which can be touched, are not live when unmated.

Coding	Page 722
Mounting	Page 723, 837
Cutout dimensions	Page 716
Additional information, see "Technical Section"	
Approvals and corresponding ratings, visit <a href="http://www.wago.com">www.wago.com</a>	



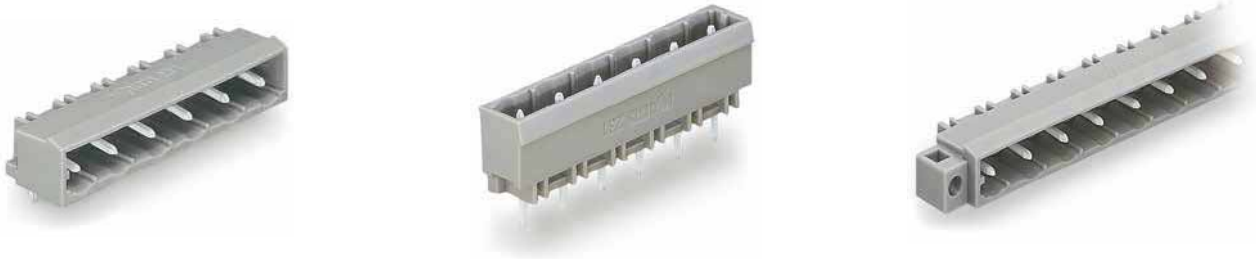
# THT Male Header ▶ MCS MIDI Classic ▶ 231 Series

Pin spacing: 7.5 mm (0.295 inch) ▶ Solder pin dimensions: 1.2 x 1.2 mm ▶ Color: gray

Mating direction to the PCB: 0°

Mating direction to the PCB: 90°

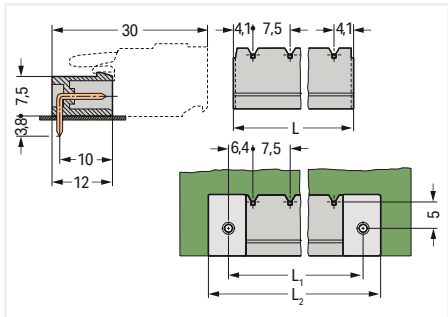
Type of mounting: Feed-through mounting, Panel mounting ▶ Mounting type: Mounting flange ▶ Mating direction to the PCB: 0°



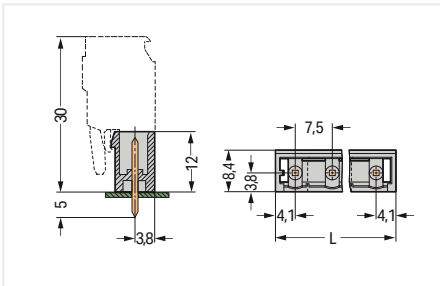
Pole No.	Item No.	PU
2	231-862/001-000	200
3	231-863/001-000	200
4	231-864/001-000	100
5	231-865/001-000	100
6	231-866/001-000	100
7	231-867/001-000	50
8	231-868/001-000	50
9	231-869/001-000	50
10	231-870/001-000	50
11	231-871/001-000	50
12	231-872/001-000	50
13	231-873/001-000	50
16	231-876/001-000	50

Pole No.	Item No.	PU
2	231-262/001-000	200
3	231-263/001-000	200
4	231-264/001-000	100
5	231-265/001-000	100
6	231-266/001-000	100
7	231-267/001-000	50
8	231-268/001-000	50
9	231-269/001-000	50
10	231-270/001-000	50
11	231-271/001-000	50
12	231-272/001-000	50
13	231-273/001-000	50
16	231-276/001-000	50

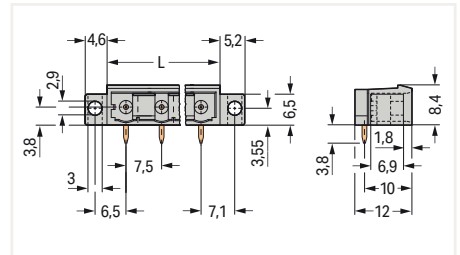
Pole No.	Item No.	PU
10	231-870/040-000	50



L = (pole no. - 1) x pin spacing + 8.2 mm  
 L<sub>1</sub> = L + 5 mm  
 L<sub>2</sub> = L<sub>1</sub> + 7.4 mm



L = (pole no. - 1) x pin spacing + 8.2 mm



L = (pole no. - 1) x pin spacing + 8.2 mm

PU = Packaging Unit; SPU = Subpackaging Unit; Dimensions in mm

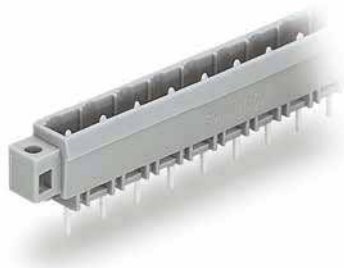
Other variants can be requested via the WAGO sales department or, if necessary, configured at <https://configurator.wago.com/>:

- Other pole numbers
- 3.8 mm pin projection for male headers with straight solder pins
- Gold-plated or partially gold-plated contact surfaces

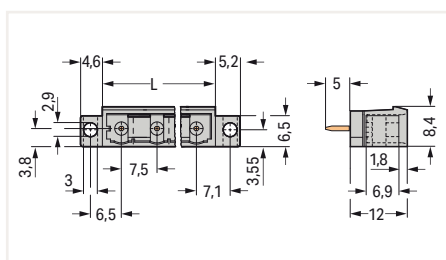
**THT Male Header ▶ MCS MIDI Classic ▶ 231 Series**

Pin spacing: 7.5 mm (0.295 inch) ▶ Solder pin dimensions: 1.2 x 1.2 mm ▶ Color: gray

Type of mounting: Feed-through mounting, Panel mounting ▶ Mounting type: Mounting flange ▶ Mating direction to the PCB: 90°



Pole No.	Item No.	PU
10	231-270/040-000	50



$L = (\text{pole no.} - 1) \times \text{pin spacing} + 8.2 \text{ mm}$

PU = Packaging Unit; SPU = Subpackaging Unit; Dimensions in mm

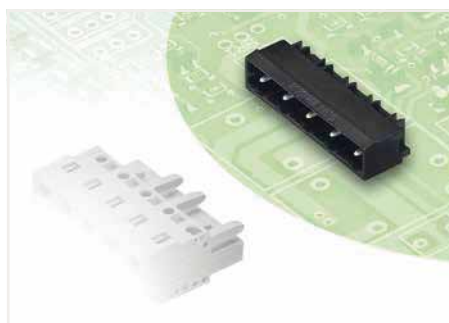
Other variants can be requested via the WAGO sales department or, if necessary, configured at <https://configurator.wago.com/>:

- Other pole numbers
- 3.8 mm pin projection for male headers with straight solder pins
- Gold-plated or partially gold-plated contact surfaces

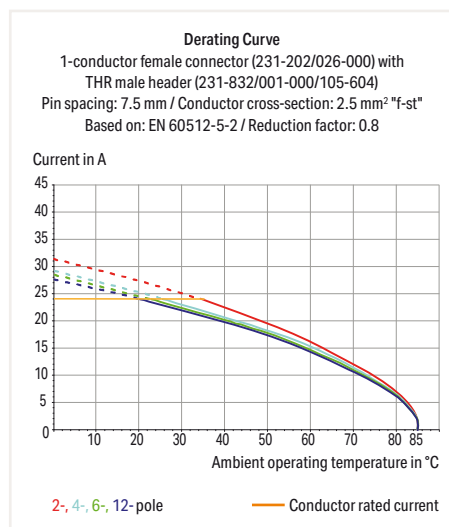


**THR Male Header ▶ MCS MIDI Classic ▶ 231 Series**

Pin spacing: 7.5 mm (0.295 inch) ▶ Solder pin dimensions: 1 x 1 mm ▶ Color: black



- THR male headers for reflow soldering in SMT applications
- Available in tape-and-reel packaging for automated pick-and-place PCB assembly
- Also available in bulk packaging for manual placement
- Male headers may be mounted horizontally or vertically
- With coding fingers

**Electrical Data**

Ratings per	IEC/EN 60664-1		
Overvoltage category	III	III	II
Pollution degree	3	2	2
Rated voltage	500 V	630 V	1000 V
Rated impulse voltage	6 kV	6 kV	6 kV
Rated current	12 A	12 A	12 A
Approvals per	UL 1977		
Rated voltage	600 V		
Rated current	-		

**Material Data**

Material group	I
Insulating material	Polyphtalamide (PPA GF)
Flammability class per UL94	V0
Contact material	Electrolytic copper (Ecu)
Contact plating	Tin-plated

**Mechanical Data**

Solder pin arrangement	Over the entire male connector, in line
Solder pin length	2.4 mm
Solder pin dimensions	1 x 1 mm
Plated through-hole diameter (THR)	1.4 (+0.1) mm
Reel diameter of tape-and-reel packaging	330 mm

**Environmental Requirements**

Limit temperature range	-60 ... +100 °C
-------------------------	-----------------

The *MULTI CONNECTION SYSTEM (MCS)* is designed without breaking capacity for compliance with DIN EN 61984. When used as intended, MCS Connectors shall not be connected/disconnected when live or under load. The circuit design should ensure header pins, which can be touched, are not live when unmated.

THR-soldering process Page 584

Coding Page 722

Additional information, see "Technical Section"

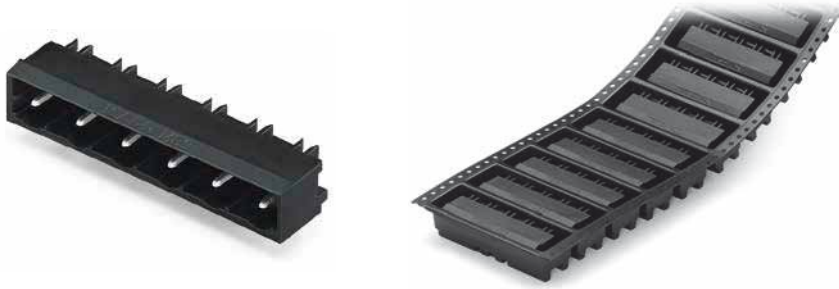
Approvals and corresponding ratings, visit [www.wago.com](http://www.wago.com)

# THR Male Header ▶ MCS MIDI Classic ▶ 231 Series

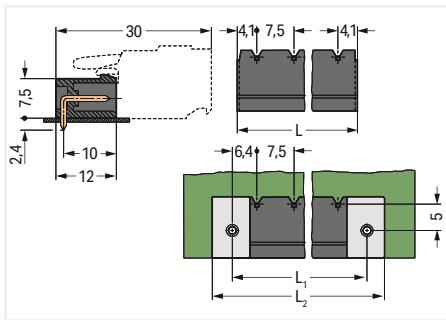
Pin spacing: 7.5 mm (0.295 inch) ▶ Solder pin dimensions: 1 x 1 mm ▶ Color: black

Mating direction to the PCB: 0°

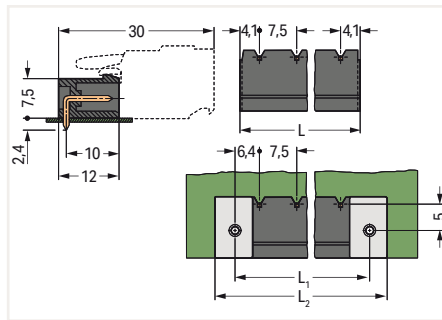
Suitable for automated assembly



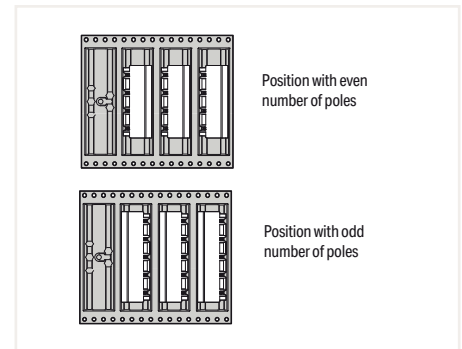
Pole No.	Item No.	PU	Pole No.	Tape width	Item No.	PU
2	231-832/001-000/105-604	200	2	32 mm	231-832/001-000/105-604/997-405	330
3	231-833/001-000/105-604	200	3	56 mm	231-833/001-000/105-604/997-407	330
4	231-834/001-000/105-604	100	4	56 mm	231-834/001-000/105-604/997-407	330
5	231-835/001-000/105-604	100	5	56 mm	231-835/001-000/105-604/997-407	330
6	231-836/001-000/105-604	100	6	88 mm	231-836/001-000/105-604/997-409	330
7	231-837/001-000/105-604	50	7	88 mm	231-837/001-000/105-604/997-409	330
8	231-838/001-000/105-604	50	8	88 mm	231-838/001-000/105-604/997-409	330
9	231-839/001-000/105-604	50	9	88 mm	231-839/001-000/105-604/997-409	330
10	231-840/001-000/105-604	50				
11	231-841/001-000/105-604	50				
12	231-842/001-000/105-604	50				



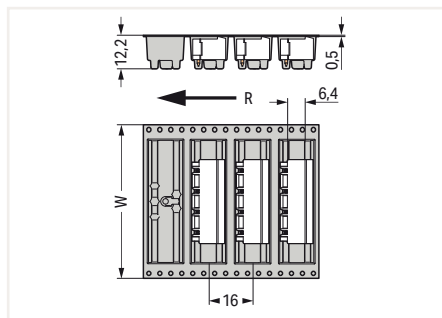
$L = (\text{pole no.} - 1) \times \text{pin spacing} + 8.2 \text{ mm}$   
 $L_1 = L + 5 \text{ mm}$   
 $L_2 = L_1 + 7.4 \text{ mm}$



$L = (\text{pole no.} - 1) \times \text{pin spacing} + 8.2 \text{ mm}$   
 $L_1 = L + 5 \text{ mm}$   
 $L_2 = L_1 + 7.4 \text{ mm}$



Pin position in tape-and-reel packaging



W= Tape width  
R = Feed direction

PU = Packaging Unit; SPU = Subpackaging Unit; Dimensions in mm

Other variants can be requested via the WAGO sales department or, if necessary, configured at <https://configurator.wago.com/>:

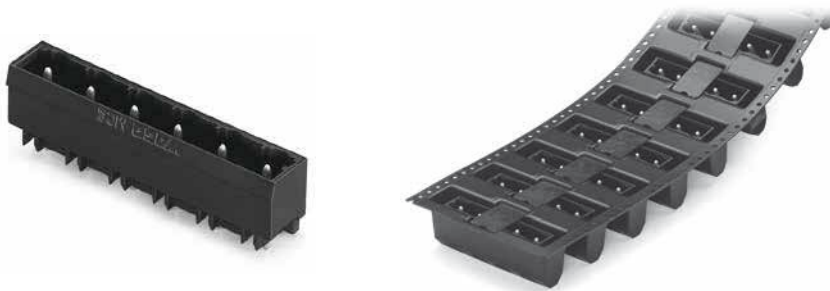
- Other pole numbers
- Gold-plated or partially gold-plated contact surfaces

# THR Male Header ▶ MCS MIDI Classic ▶ 231 Series

Pin spacing: 7.5 mm (0.295 inch) ▶ Solder pin dimensions: 1 x 1 mm ▶ Color: black

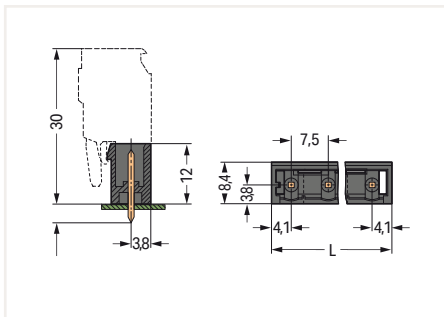
Mating direction to the PCB: 90°

Suitable for automated assembly

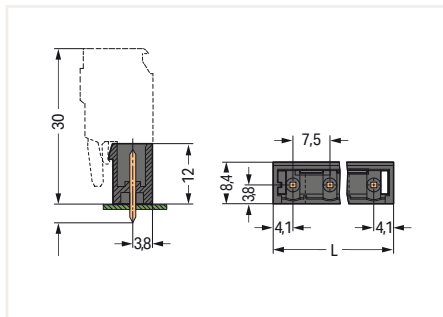


Pole No.	Item No.	PU
2	231-232/001-000/105-604	200
3	231-233/001-000/105-604	200
4	231-234/001-000/105-604	100
5	231-235/001-000/105-604	100
6	231-236/001-000/105-604	100
7	231-237/001-000/105-604	50
8	231-238/001-000/105-604	50
9	231-239/001-000/105-604	50
10	231-240/001-000/105-604	50
11	231-241/001-000/105-604	50
12	231-242/001-000/105-604	50

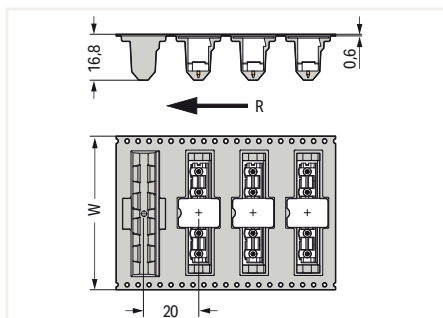
Pole No.	Tape width	Item No.	PU
2	32 mm	231-232/001-000/105-604/997-405	170
3	56 mm	231-233/001-000/105-604/997-407	170
4	56 mm	231-234/001-000/105-604/997-407	170
5	56 mm	231-235/001-000/105-604/997-407	170
6	88 mm	231-236/001-000/105-604/997-409	170
7	88 mm	231-237/001-000/105-604/997-409	170
8	88 mm	231-238/001-000/105-604/997-409	170
9	88 mm	231-239/001-000/105-604/997-409	170



L = (pole no. - 1) x pin spacing + 8.2 mm



L = (pole no. - 1) x pin spacing + 8.2 mm



W = Tape width  
R = Feed direction

PU = Packaging Unit; SPU = Subpackaging Unit; Dimensions in mm

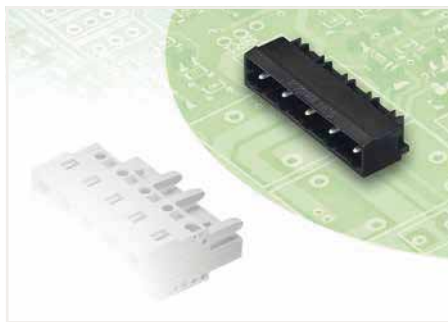
Other variants can be requested via the WAGO sales department or, if necessary, configured at <https://configurator.wago.com/>:

- Other pole numbers
- Gold-plated or partially gold-plated contact surfaces

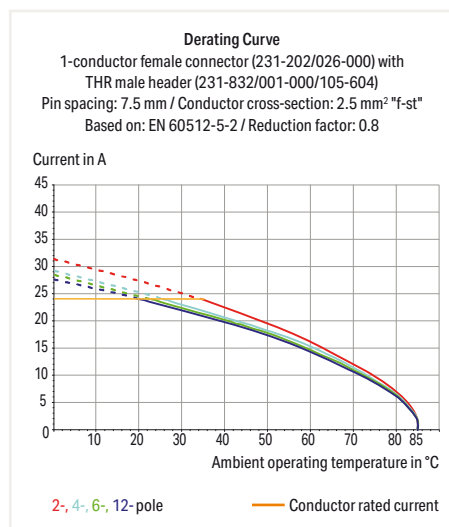


**THR Male Header ▶ MCS MIDI Classic ▶ 231 Series**

Pin spacing: 7.5 mm (0.295 inch) ▶ Solder pin dimensions: 1.2 x 1.2 mm ▶ Color: black



- THR male headers for reflow soldering in SMT applications
- Available in tape-and-reel packaging for automated pick-and-place PCB assembly
- 1.2 x 1.2 mm solder pins allow nominal current up to 16 A, enhancing stability of shorter headers
- Also available in bulk packaging for manual placement
- Male headers may be mounted horizontally or vertically
- With coding fingers

**Electrical Data**

Ratings per	IEC/EN 60664-1		
Overvoltage category	III	III	II
Pollution degree	3	2	2
Rated voltage	500 V	630 V	1000 V
Rated impulse voltage	6 kV	6 kV	6 kV
Rated current	16 A	16 A	16 A
Approvals per	UL 1977		
Rated voltage	600 V		
Rated current	-		

**Material Data**

Material group	I
Insulating material	Polyphtalamide (PPA GF)
Flammability class per UL94	V0
Contact material	Electrolytic copper (Ecu)
Contact plating	Tin-plated

**Mechanical Data**

Solder pin arrangement	Over the entire male connector, in line
Solder pin length	2.4 mm
Solder pin dimensions	1.2 x 1.2 mm
Plated through-hole diameter (THR)	1.7 (+0.1) mm
Reel diameter of tape-and-reel packaging	330 mm

**Environmental Requirements**

Limit temperature range	-60 ... +100 °C
-------------------------	-----------------

The *MULTI CONNECTION SYSTEM (MCS)* is designed without breaking capacity for compliance with DIN EN 61984. When used as intended, MCS Connectors shall not be connected/disconnected when live or under load. The circuit design should ensure header pins, which can be touched, are not live when unmated.

THR-soldering process Page 584

Coding Page 722

Additional information, see "Technical Section"

Approvals and corresponding ratings, visit [www.wago.com](http://www.wago.com)

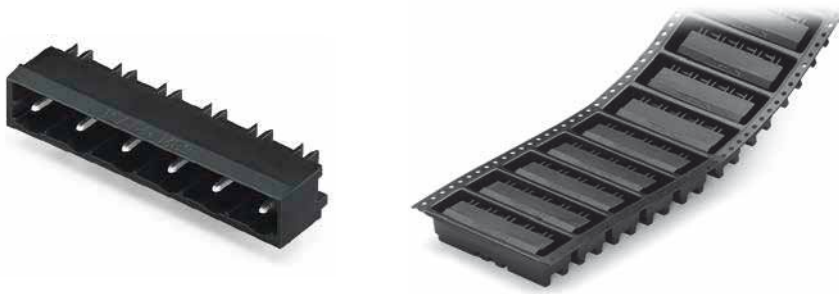


# THR Male Header ▶ MCS MIDI Classic ▶ 231 Series

Pin spacing: 7.5 mm (0.295 inch) ▶ Solder pin dimensions: 1.2 x 1.2 mm ▶ Color: black

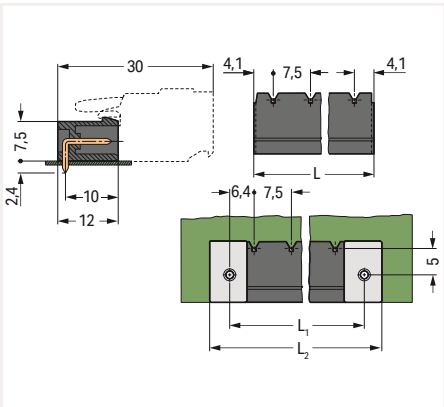
Mating direction to the PCB: 0°

Suitable for automated assembly

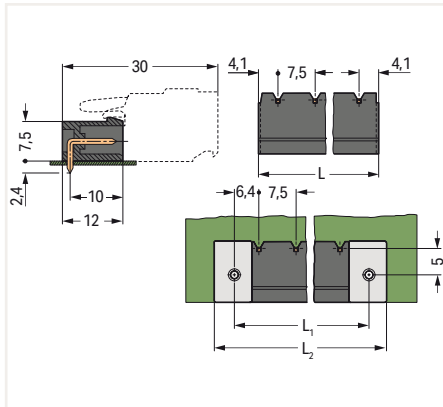


Pole No.	Item No.	PU
2	231-862/001-000/105-604	200
3	231-863/001-000/105-604	200
4	231-864/001-000/105-604	100
5	231-865/001-000/105-604	100
6	231-866/001-000/105-604	100
7	231-867/001-000/105-604	50
8	231-868/001-000/105-604	50
9	231-869/001-000/105-604	50
10	231-870/001-000/105-604	50
11	231-871/001-000/105-604	50
12	231-872/001-000/105-604	50

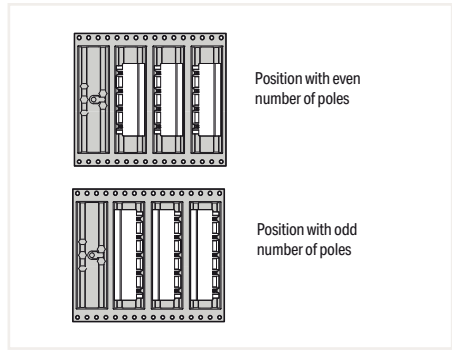
Pole No.	Tape width	Item No.	PU
2	32 mm	231-862/001-000/105-604/997-405	330
3	56 mm	231-863/001-000/105-604/997-407	330
4	56 mm	231-864/001-000/105-604/997-407	330
5	56 mm	231-865/001-000/105-604/997-407	330
6	88 mm	231-866/001-000/105-604/997-409	330
7	88 mm	231-867/001-000/105-604/997-409	330
8	88 mm	231-868/001-000/105-604/997-409	330
9	88 mm	231-869/001-000/105-604/997-409	330



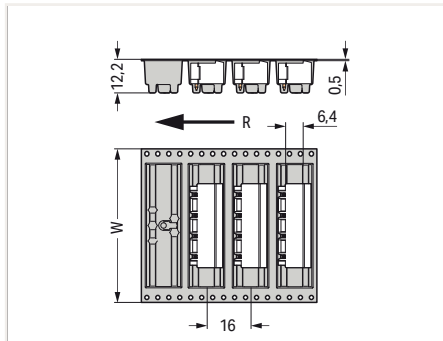
$L = (\text{pole no.} - 1) \times \text{pin spacing} + 8.2 \text{ mm}$   
 $L_1 = L + 5 \text{ mm}$   
 $L_2 = L_1 + 7.4 \text{ mm}$



$L = (\text{pole no.} - 1) \times \text{pin spacing} + 8.2 \text{ mm}$   
 $L_1 = L + 5 \text{ mm}$   
 $L_2 = L_1 + 7.4 \text{ mm}$



Pin position in tape-and-reel packaging



W = Tape width  
 R = Feed direction

PU = Packaging Unit; SPU = Subpackaging Unit; Dimensions in mm

Other variants can be requested via the WAGO sales department or, if necessary, configured at <https://configurator.wago.com/>:

- Other pole numbers
- Gold-plated or partially gold-plated contact surfaces

# THR Male Header ▶ MCS MIDI Classic ▶ 231 Series

Pin spacing: 7.5 mm (0.295 inch) ▶ Solder pin dimensions: 1.2 x 1.2 mm ▶ Color: black

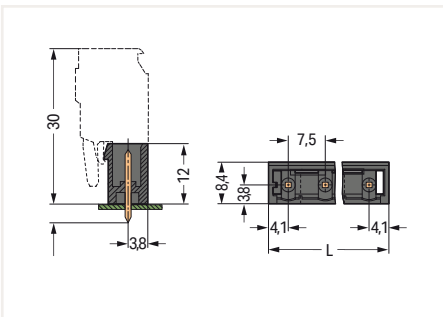
Mating direction to the PCB: 90°

Suitable for automated assembly

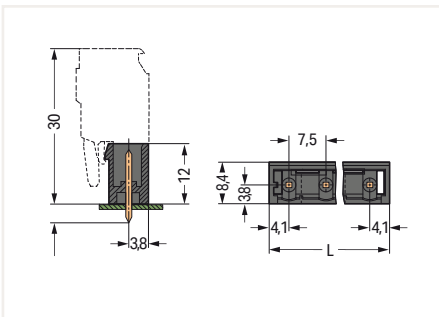


Pole No.	Item No.	PU
2	231-262/001-000/105-604	200
3	231-263/001-000/105-604	200
4	231-264/001-000/105-604	100
5	231-265/001-000/105-604	100
6	231-266/001-000/105-604	50
7	231-267/001-000/105-604	50
8	231-268/001-000/105-604	50
9	231-269/001-000/105-604	50
10	231-270/001-000/105-604	50
11	231-271/001-000/105-604	50
12	231-272/001-000/105-604	50

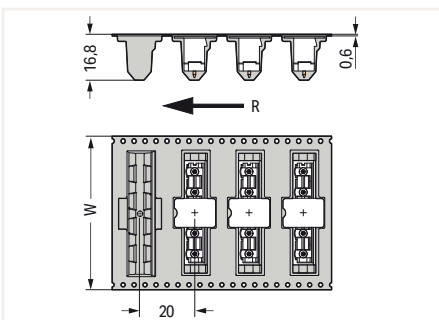
Pole No.	Tape width	Item No.	PU
2	32 mm	231-262/001-000/105-604/997-405	170
3	56 mm	231-263/001-000/105-604/997-407	170
4	56 mm	231-264/001-000/105-604/997-407	170
5	56 mm	231-265/001-000/105-604/997-407	170
6	88 mm	231-266/001-000/105-604/997-409	170
7	88 mm	231-267/001-000/105-604/997-409	170
8	88 mm	231-268/001-000/105-604/997-409	170
9	88 mm	231-269/001-000/105-604/997-409	170



L = (pole no. - 1) x pin spacing + 8.2 mm



L = (pole no. - 1) x pin spacing + 8.2 mm



W = Tape width  
R = Feed direction

PU = Packaging Unit; SPU = Subpackaging Unit; Dimensions in mm

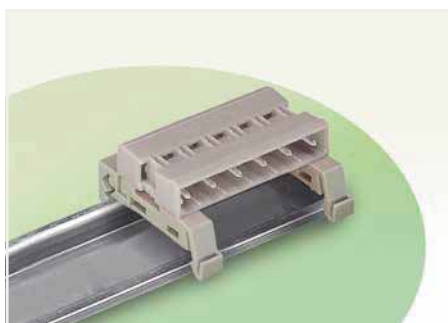
Other variants can be requested via the WAGO sales department or, if necessary, configured at <https://configurator.wago.com/>:

- Other pole numbers
- Gold-plated or partially gold-plated contact surfaces



**Double-Pin Male Connector ▶ MCS MIDI Classic ▶ 232 Series**

Pin spacing: 7.5 mm (0.295 inch) ▶ Type of mounting: DIN-35 rail ▶ Color: gray



- Allow MCS Female Connectors fitted with wire harness or cable assembly to be plugged together
- Adapter for DIN-35 rail mounting
- Coding via coding keys on both sides

**Electrical Data**

Ratings per	IEC/EN 60664-1		
Overvoltage category	III	III	II
Pollution degree	3	2	2
Rated voltage	500 V	630 V	1000 V
Rated impulse voltage	6 kV	6 kV	6 kV
Rated current	12 A	12 A	12 A
Approvals per	UL 1059		
Use Group	B	C	D
Rated voltage	300 V	-	300 V
Rated current	15 A	-	10 A
Approvals per	UL 1977		
Rated voltage	600 V		
Rated current	-		
Approvals per	CSA		
Use Group	B	C	D
Rated voltage	300 V	-	300 V
Rated current	15 A	-	10 A

**Material Data**

Material group	I
Insulating material	Polyamide 66 (PA 66)
Flammability class per UL94	V0
Contact material	Electrolytic copper (Ecu)
Contact plating	Tin-plated

**Environmental Requirements**

Limit temperature range	-60 ... +100 °C
-------------------------	-----------------

The *MULTI CONNECTION SYSTEM (MCS)* is designed without breaking capacity for compliance with DIN EN 61984. When used as intended, MCS Connectors shall not be connected/disconnected when live or under load. The circuit design should ensure header pins, which can be touched, are not live when unmated.

Carrier rail Page 836

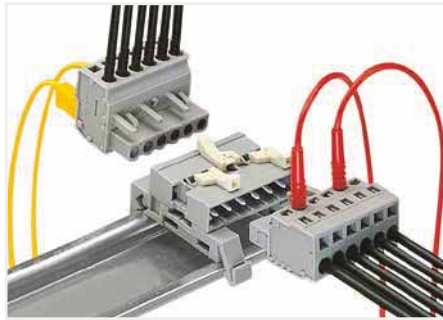
Coding Page 722

Additional information, see "Technical Section"

Approvals and corresponding ratings, visit [www.wago.com](http://www.wago.com)

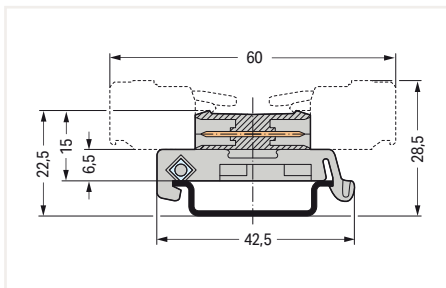
## Double-Pin Male Connector ▶ MCS MIDI Classic ▶ 232 Series

Pin spacing: 7.5 mm (0.295 inch) ▶ Type of mounting: DIN-35 rail ▶ Color: gray



Angled female connector – straight female connector

Pole No.	Item No.	PU
2	232-562/007-000	50
3	232-563/007-000	50
4	232-564/007-000	25
5	232-565/007-000	50
6	232-566/007-000	25
7	232-567/007-000	10
8	232-568/007-000	10
9	232-569/007-000	10
10	232-570/007-000	10
11	232-571/007-000	10
12	232-572/007-000	10



Total length = (pole no. - 1) x pin spacing + 8.2 mm

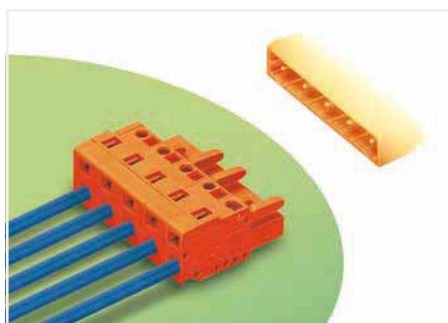
PU = Packaging Unit; SPU = Subpackaging Unit; Dimensions in mm

Other variants can be requested via the WAGO sales department or, if necessary, configured at <https://configurator.wago.com/>:

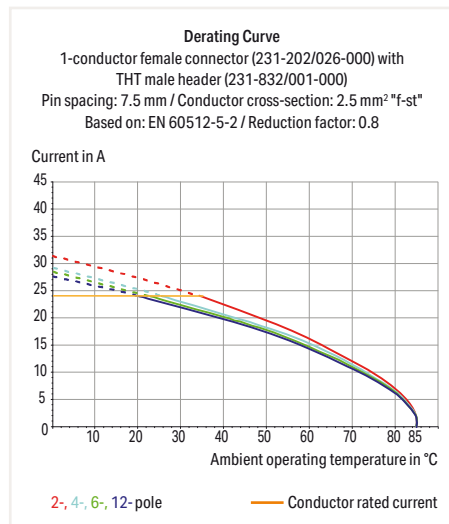
- Other pole numbers

## 1-Conductor Female Connector ▶ MCS MIDI Classic ▶ 231 Series

Pin spacing: 7.62 mm (0.3 inch) ▶ Actuation type: Operating tool ▶ CAGE CLAMP® ▶ Conductor entry direction to mating direction: 0° ▶ Color: orange



- Universal connection for all conductor types
- Easy cable pre-assembly and on-unit wiring via vertical and horizontal CAGE CLAMP® actuation
- Integrated test ports
- With coding fingers



### Electrical Data

Ratings per	IEC/EN 60664-1		
Overvoltage category	III	III	II
Pollution degree	3	2	2
Rated voltage	500 V	630 V	1000 V
Rated impulse voltage	6 kV	6 kV	6 kV
Rated current	16 A	16 A	16 A
Approvals per	UL 1059		
Use Group	B	C	D
Rated voltage	300 V	-	300 V
Rated current	15 A	-	10 A
Approvals per	UL 1977		
Rated voltage	600 V		
Rated current	-		
Approvals per	CSA		
Use Group	B	C	D
Rated voltage	300 V	-	300 V
Rated current	15 A	-	10 A

### Connection Data

Connection technology	CAGE CLAMP®
Strip length	8 ... 9 mm / 0.31 ... 0.35 inch
Solid conductor	0.08 ... 2.5 mm <sup>2</sup> / 28 ... 12 AWG
Fine-stranded conductor	0.08 ... 2.5 mm <sup>2</sup> / 28 ... 12 AWG
Fine-stranded conductor with ferrule with plastic collar	0.25 ... 1.5 mm <sup>2</sup>
Fine-stranded conductor with ferrule without plastic collar	0.25 ... 2.5 mm <sup>2</sup>

### Material Data

Material group	I
Insulating material	Polyamide 66 (PA 66)
Flammability class per UL94	V0
Clamping spring material	Chrome nickel spring steel (CrNi)
Contact material	Copper alloy
Contact plating	Tin-plated

### Environmental Requirements

Limit temperature range	-60 ... +85 °C
-------------------------	----------------

The *MULTI CONNECTION SYSTEM (MCS)* is designed without breaking capacity for compliance with DIN EN 61984. When used as intended, MCS Connectors shall not be connected/disconnected when live or under load. The circuit design should ensure header pins, which can be touched, are not live when unmated.

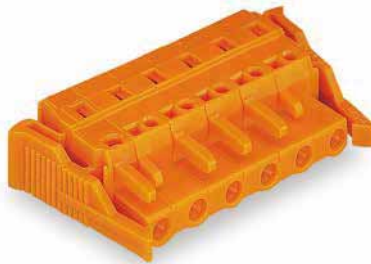
Ferrule	Page 847
General accessory	Page 723
Insulation stop	Page 723
Marking	Page 833
Mounting	Page 723, 837
Mounting adapter	Page 729
Strain relief	Page 727
Testing and measuring	Page 721, 854
Tools	Page 720, 838
Direct marking	Page 712
Cutout dimensions	Page 716
Additional information, see "Technical Section"	
Approvals and corresponding ratings, visit <a href="http://www.wago.com">www.wago.com</a>	

### 1-Conductor Female Connector ▶ MCS MIDI Classic ▶ 231 Series

Pin spacing: 7.62 mm (0.3 inch) ▶ Actuation type: Operating tool ▶ CAGE CLAMP® ▶ Conductor entry direction to mating direction: 0° ▶ Color: orange

Locking of plug-in connection: locking lever

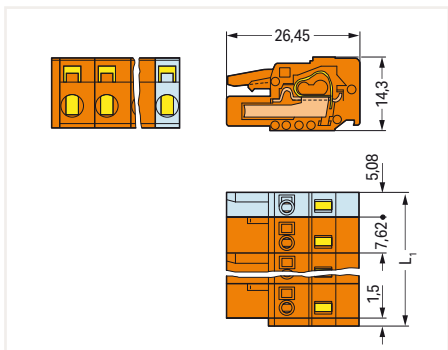
Type of mounting: Feed-through mounting, Panel mounting ▶ Mounting type: Mounting flange



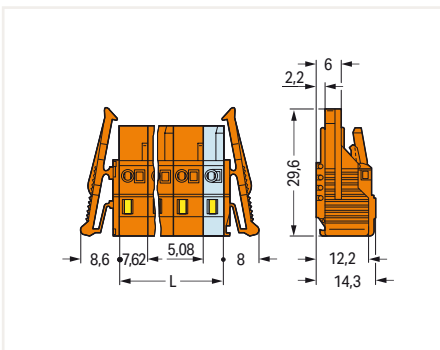
Pole No.	Item No.	PU
2	231-702/026-000	100
3	231-703/026-000	100
4	231-704/026-000	50
5	231-705/026-000	50
6	231-706/026-000	50
7	231-707/026-000	50
8	231-708/026-000	25
9	231-709/026-000	25
10	231-710/026-000	25
11	231-711/026-000	25
12	231-712/026-000	25

Pole No.	Item No.	PU
2	231-702/037-000	50
3	231-703/037-000	50
4	231-704/037-000	50
5	231-705/037-000	50
6	231-706/037-000	25
7	231-707/037-000	25
8	231-708/037-000	25
9	231-709/037-000	25
10	231-710/037-000	25
11	231-711/037-000	10
12	231-712/037-000	10

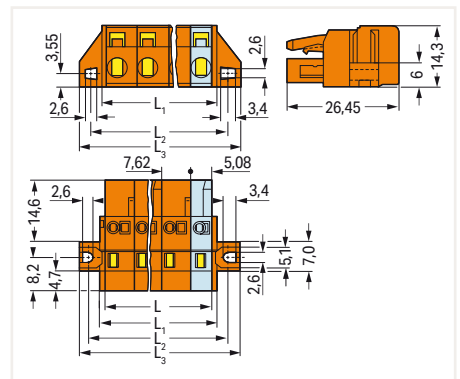
Pole No.	Item No.	PU
2	231-702/031-000	50
3	231-703/031-000	50
4	231-704/031-000	50
5	231-705/031-000	50
6	231-706/031-000	25
7	231-707/031-000	25
8	231-708/031-000	25
9	231-709/031-000	25
10	231-710/031-000	25
11	231-711/031-000	10
12	231-712/031-000	10



$L_1 = (\text{pole no.} - 1) \times \text{pin spacing} + 5.08 \text{ mm} + 1.5 \text{ mm}$   
2- to 3-pole female connectors – one latch only



$L = (\text{pole no.} - 1) \times \text{pin spacing} + 5.08 \text{ mm}$   
2- to 3-pole female connectors – one latch only



$L = (\text{pole no.} - 1) \times \text{pin spacing} + 5.08 \text{ mm}$   
 $L_1 = L + 3 \text{ mm}$   
 $L_2 = L + 8.8 \text{ mm}$   
 $L_3 = L + 14.8 \text{ mm}$   
 2- to 3-pole female connectors – one latch only

PU = Packaging Unit; SPU = Subpackaging Unit; Dimensions in mm

Other variants can be requested via the WAGO sales department or, if necessary, configured at <https://configurator.wago.com/>:

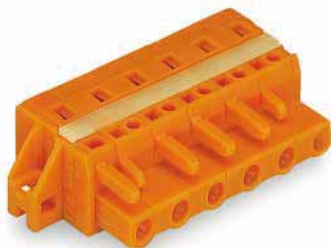
- Gold-plated or partially gold-plated contact surfaces

**1-Conductor Female Connector ▶ MCS MIDI Classic ▶ 231 Series**

Pin spacing: 7.62 mm (0.3 inch) ▶ Actuation type: Operating tool ▶ CAGE CLAMP® ▶ Conductor entry direction to mating direction: 0° ▶ Color: orange

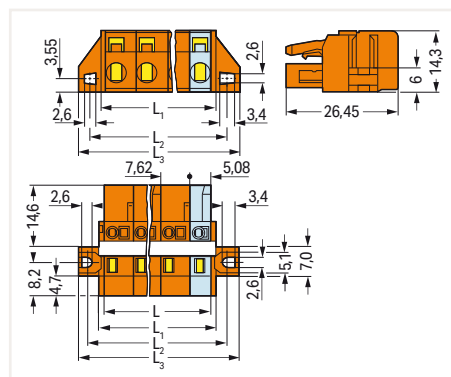
Type of mounting: Feed-through mounting, Panel mounting ▶ Mounting type: Mounting flange ▶ with reinforcing strip

Type of mounting: Panel mounting ▶ Mounting type: Snap-in mounting foot



Pole No.	Item No.	PU
6	231-706/027-000	25
7	231-707/027-000	25
8	231-708/027-000	25
9	231-709/027-000	25
10	231-710/027-000	25
11	231-711/027-000	10
12	231-712/027-000	10

Pole No.	Item No.	PU
2	231-702/008-000	100
3	231-703/008-000	100
4	231-704/008-000	50
5	231-705/008-000	50
6	231-706/008-000	50
7	231-707/008-000	50
8	231-708/008-000	25
9	231-709/008-000	25
10	231-710/008-000	25
11	231-711/008-000	25
12	231-712/008-000	25



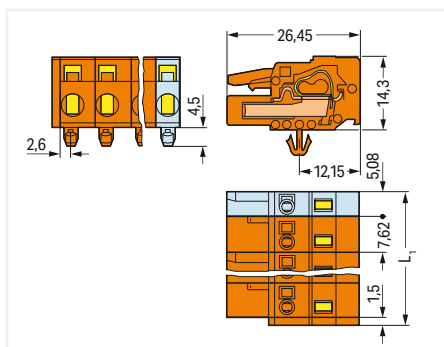
$L = (\text{pole no.} - 1) \times \text{pin spacing} + 5.08 \text{ mm}$

$L_1 = L + 3 \text{ mm}$

$L_2 = L + 8.8 \text{ mm}$

$L_3 = L + 14.8 \text{ mm}$

2- to 3-pole female connectors – one latch only



$L_1 = (\text{pole no.} - 1) \times \text{pin spacing} + 5.08 \text{ mm} + 1.5 \text{ mm}$

2- to 3-pole female connectors – one latch only

PU = Packaging Unit; SPU = Subpackaging Unit; Dimensions in mm

Other variants can be requested via the WAGO sales department or, if necessary, configured at <https://configurator.wago.com/>:

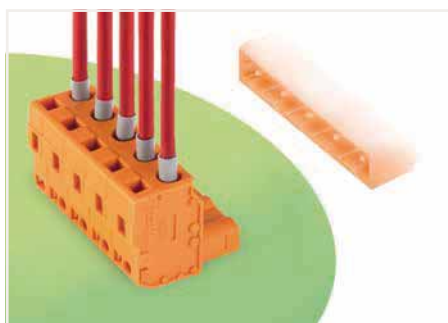
- Gold-plated or partially gold-plated contact surfaces



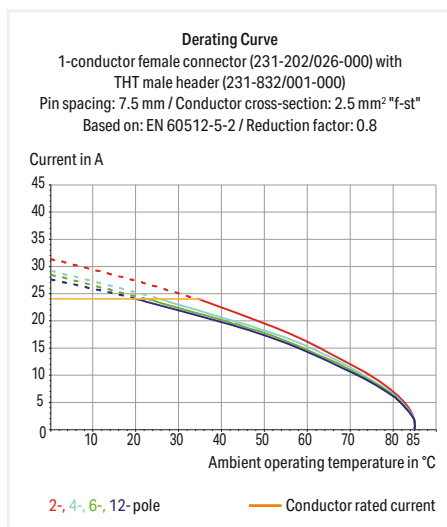


## 1-Conductor Female Connector ▶ MCS MIDI Classic ▶ 732 Series

Pin spacing: 7.62 mm (0.3 inch) ▶ Actuation type: Operating tool ▶ CAGE CLAMP® ▶ Conductor entry direction to mating direction: 270° ▶ Color: orange



- Universal connection for all conductor types
- Easy cable pre-assembly and on-unit wiring via vertical and horizontal CAGE CLAMP® actuation
- Integrated test ports
- With coding fingers



### Electrical Data

Ratings per	IEC/EN 60664-1		
Overvoltage category	III	III	II
Pollution degree	3	2	2
Rated voltage	500 V	630 V	1000 V
Rated impulse voltage	6 kV	6 kV	6 kV
Rated current	14 A	14 A	14 A
Approvals per	UL 1059		
Use Group	B	C	D
Rated voltage	300 V	-	300 V
Rated current	15 A	-	10 A
Approvals per	UL 1977		
Rated voltage	600 V		
Rated current	-		
Approvals per	CSA		
Use Group	B	C	D
Rated voltage	300 V	-	300 V
Rated current	15 A	-	10 A

### Connection Data

Connection technology	CAGE CLAMP®
Strip length	8 ... 9 mm / 0.31 ... 0.35 inch
Solid conductor	0.08 ... 2.5 mm <sup>2</sup> / 28 ... 12 AWG
Fine-stranded conductor	0.08 ... 2.5 mm <sup>2</sup> / 28 ... 12 AWG
Fine-stranded conductor with ferrule with plastic collar	0.25 ... 1.5 mm <sup>2</sup>
Fine-stranded conductor with ferrule without plastic collar	0.25 ... 2.5 mm <sup>2</sup>

### Material Data

Material group	I
Insulating material	Polyamide 66 (PA 66)
Flammability class per UL94	V0
Clamping spring material	Chrome nickel spring steel (CrNi)
Contact material	Copper alloy
Contact plating	Tin-plated

### Environmental Requirements

Limit temperature range	-60 ... +100 °C
-------------------------	-----------------

The *MULTI CONNECTION SYSTEM (MCS)* is designed without breaking capacity for compliance with DIN EN 61984. When used as intended, MCS Connectors shall not be connected/disconnected when live or under load. The circuit design should ensure header pins, which can be touched, are not live when unmated.

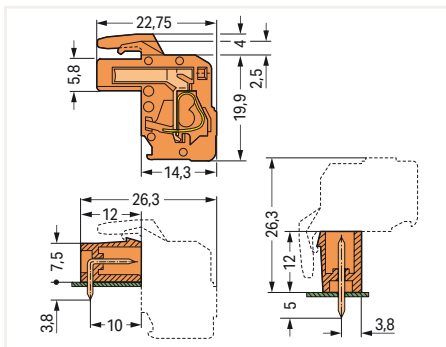
Ferrule	Page 847
Insulation stop	Page 723
Marking	Page 833
Strain relief	Page 727
Testing and measuring	Page 721, 854
Tools	Page 720
Direct marking	Page 712
Additional information, see "Technical Section"	
Approvals and corresponding ratings, visit <a href="http://www.wago.com">www.wago.com</a>	

## 1-Conductor Female Connector ▶ MCS MIDI Classic ▶ 732 Series

Pin spacing: 7.62 mm (0.3 inch) ▶ Actuation type: Operating tool ▶ CAGE CLAMP® ▶ Conductor entry direction to mating direction: 270° ▶ Color: orange



Pole No.	Item No.	PU
2	732-122/026-000	100
3	732-123/026-000	100
4	732-124/026-000	50
5	732-125/026-000	50
6	732-126/026-000	50
7	732-127/026-000	50
8	732-128/026-000	25
9	732-129/026-000	25
10	732-130/026-000	25
11	732-131/026-000	25
12	732-132/026-000	25



Total length = (pole no. - 1) x pin spacing + 5.08 mm + 1.5 mm + 0.9 mm

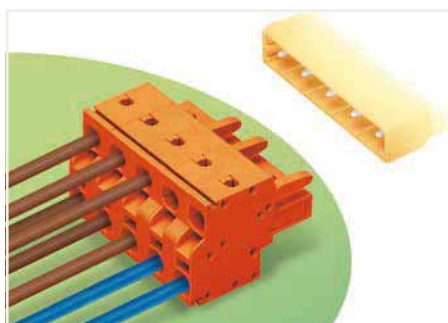
PU = Packaging Unit; SPU = Subpackaging Unit; Dimensions in mm

Other variants can be requested via the WAGO sales department or, if necessary, configured at <https://configurator.wago.com/>:

- Gold-plated or partially gold-plated contact surfaces

**2-Conductor Female Connector ▶ MCS MIDI Classic ▶ 231 Series**

Pin spacing: 7.62 mm (0.3 inch) ▶ Actuation type: Operating tool ▶ Push-in CAGE CLAMP® ▶ Conductor entry direction to mating direction: 0° ▶ Color: orange



- Universal connection for all conductor types
- Two conductor entries per pole
- For looping through power or Data buses
- Bus connection is retained, even when unmated
- Push-in termination of solid and ferruled conductors
- With coding fingers

**Electrical Data**

Ratings per		IEC/EN 60664-1		
Overvoltage category		III	III	II
Pollution degree		3	2	2
Rated voltage		500 V	630 V	1000 V
Rated impulse voltage		6 kV	6 kV	6 kV
Rated current		16 A	16 A	16 A
Approvals per		UL 1059		
Use Group		B	C	D
Rated voltage		300 V	-	300 V
Rated current		20 A	-	10 A
Approvals per		UL 1977		
Rated voltage		600 V		
Rated current		-		
Approvals per		CSA		
Use Group		B	C	D
Rated voltage		300 V	-	300 V
Rated current		15 A	-	10 A

**Connection Data**

Connection technology	Push-in CAGE CLAMP®
Strip length	9 ... 10 mm / 0.35 ... 0.39 inch
Solid conductor	0.2 ... 2.5 mm <sup>2</sup> / 24 ... 12 AWG
Fine-stranded conductor	0.2 ... 2.5 mm <sup>2</sup> / 24 ... 12 AWG
Fine-stranded conductor with ferrule with plastic collar	0.25 ... 1.5 mm <sup>2</sup>
Fine-stranded conductor with ferrule without plastic collar	0.25 ... 2.5 mm <sup>2</sup>

**Material Data**

Material group	I
Insulating material	Polyamide 66 (PA 66)
Flammability class per UL94	V0
Clamping spring material	Chrome nickel spring steel (CrNi)
Contact material	Copper alloy
Contact plating	Tin-plated

**Environmental Requirements**

Limit temperature range	-60 ... +85 °C
-------------------------	----------------

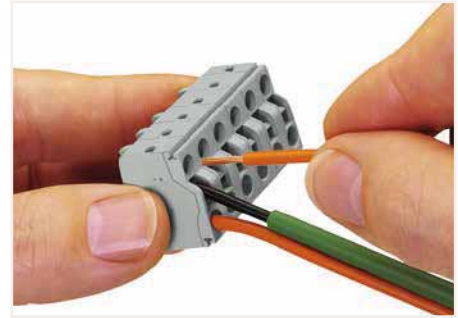
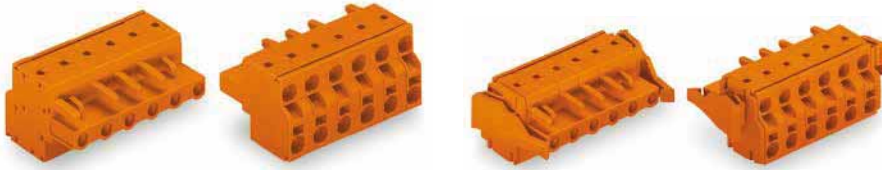
The *MULTI CONNECTION SYSTEM (MCS)* is designed without breaking capacity for compliance with DIN EN 61984. When used as intended, MCS Connectors shall not be connected/disconnected when live or under load. The circuit design should ensure header pins, which can be touched, are not live when unmated.

Ferrule	Page 847
Insulation stop	Page 723
Marking	Page 833
Strain relief	Page 725
Testing and measuring	Page 721
Direct marking	Page 712
Additional information, see "Technical Section"	
Approvals and corresponding ratings, visit <a href="http://www.wago.com">www.wago.com</a>	

## 2-Conductor Female Connector ▶ MCS MIDI Classic ▶ 231 Series

Pin spacing: 7.62 mm (0.3 inch) ▶ Actuation type: Operating tool ▶ Push-in CAGE CLAMP® ▶ Conductor entry direction to mating direction: 0° ▶ Color: orange

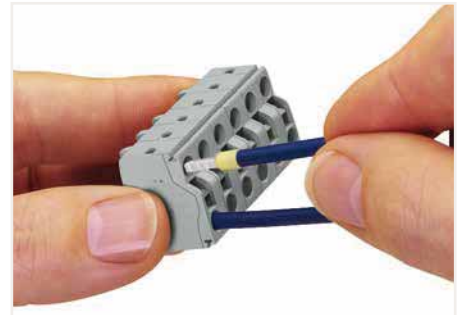
Locking of plug-in connection: locking lever



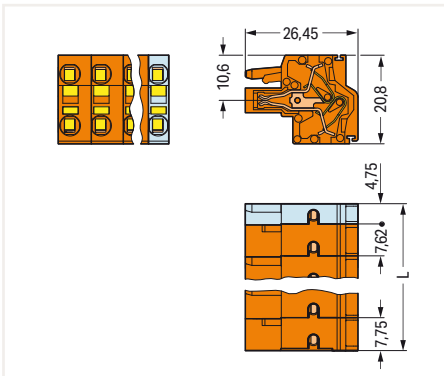
Operating Push-in CAGE CLAMP® is easy, fast and identical to that of CAGE CLAMP®. The screwdriver is fully inserted into the operating slot, holding Push-in CAGE CLAMP® open. After the conductor has been inserted into the clamping unit and the screwdriver been withdrawn, the conductor is clamped safely. Solid and fine-stranded conductors < 0.5 mm<sup>2</sup> (20 AWG) are terminated and removed using a screwdriver.

Pole No.	Item No.	PU
2	231-2702/026-000	100
3	231-2703/026-000	100
4	231-2704/026-000	50
5	231-2705/026-000	50
6	231-2706/026-000	50
7	231-2707/026-000	50
8	231-2708/026-000	25
9	231-2709/026-000	25
10	231-2710/026-000	25
11	231-2711/026-000	25
12	231-2712/026-000	25

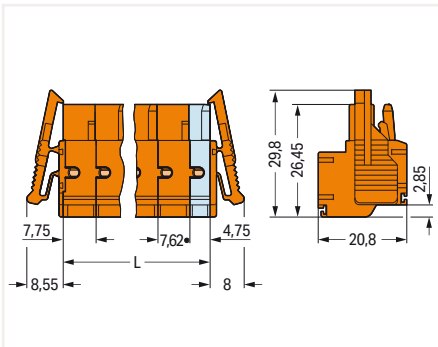
Pole No.	Item No.	PU
2	231-2702/037-000	50
3	231-2703/037-000	50
4	231-2704/037-000	50
5	231-2705/037-000	50
6	231-2706/037-000	25
7	231-2707/037-000	25
8	231-2708/037-000	25
9	231-2709/037-000	25
10	231-2710/037-000	25
11	231-2711/037-000	10
12	231-2712/037-000	10



Solid conductors ≥ 0.5 mm<sup>2</sup> (20 AWG), as well as ferruled, fine-stranded conductors can be terminated by simply pushing them into unit. Integrated test ports allow touch contact with current bar via test probes in both horizontal and vertical directions.



L = (pole no. - 2) x pin spacing + 12.5 mm  
2- to 3-pole female connectors – one latch only



L = (pole no. - 2) x pin spacing + 12.5 mm  
2- to 3-pole female connectors – one latch only

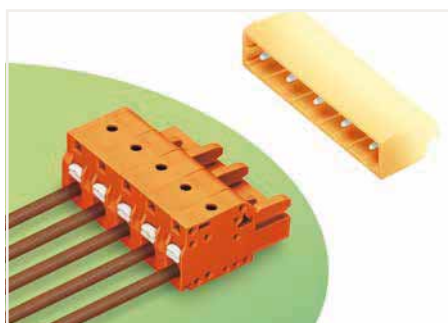
PU = Packaging Unit; SPU = Subpackaging Unit; Dimensions in mm

Other variants can be requested via the WAGO sales department or, if necessary, configured at <https://configurator.wago.com/>:

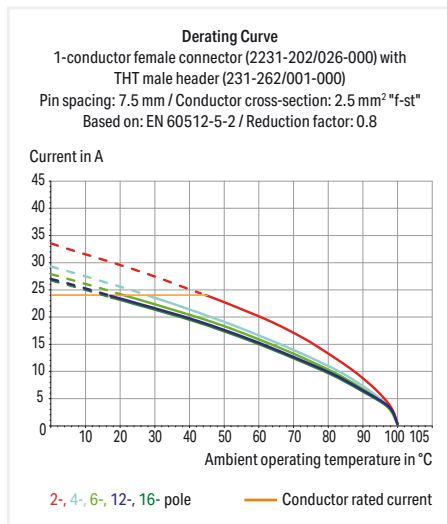
- Gold-plated or partially gold-plated contact surfaces

## 1-Conductor Female Connector ▶ MCS MIDI Classic ▶ 2231 Series

Pin spacing: 7.62 mm (0.3 inch) ▶ Actuation type: Push-button ▶ Push-in CAGE CLAMP® ▶ Conductor entry direction to mating direction: 0° ▶ Color: orange



- Universal connection for all conductor types
- Easy-to-use design does not require specialty tools
- Ability to wire while mated
- Push-in termination of solid and ferruled conductors
- Integrated test ports for testing parallel to the conductor entry
- With coding fingers



### Electrical Data

Ratings per	IEC/EN 60664-1		
Overvoltage category	III	III	II
Pollution degree	3	2	2
Rated voltage	500 V	630 V	1000 V
Rated impulse voltage	6 kV	6 kV	6 kV
Rated current	16 A	16 A	16 A
Approvals per	UL 1059		
Use Group	B	C	D
Rated voltage	300 V	300 V	300 V
Rated current	15 A	15 A	10 A
Approvals per	UL 1977		
Rated voltage	600 V		
Rated current	-		
Approvals per	CSA		
Use Group	B	C	D
Rated voltage	300 V	300 V	300 V
Rated current	15 A	15 A	10 A

### Connection Data

Connection technology	Push-in CAGE CLAMP®
Strip length	10 ... 11 mm / 0.39 ... 0.43 inch
Solid conductor	0.2 ... 2.5 mm <sup>2</sup> / 24 ... 12 AWG
Fine-stranded conductor	0.2 ... 2.5 mm <sup>2</sup> / 24 ... 12 AWG
Fine-stranded conductor with ferrule with plastic collar	0.25 ... 1.5 mm <sup>2</sup>
Fine-stranded conductor with ferrule without plastic collar	0.25 ... 2.5 mm <sup>2</sup>

### Material Data

Material group	I
Insulating material	Polyamide 66 (PA 66)
Flammability class per UL94	V0
Clamping spring material	Chrome nickel spring steel (CrNi)
Contact material	Copper alloy
Contact plating	Tin-plated

### Environmental Requirements

Limit temperature range	-60 ... +100 °C
-------------------------	-----------------

The *MULTI CONNECTION SYSTEM (MCS)* is designed without breaking capacity for compliance with DIN EN 61984. When used as intended, MCS Connectors shall not be connected/disconnected when live or under load. The circuit design should ensure header pins, which can be touched, are not live when unmated.

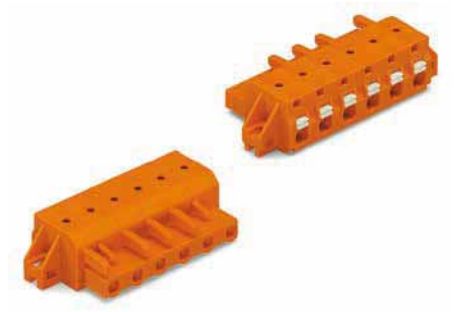
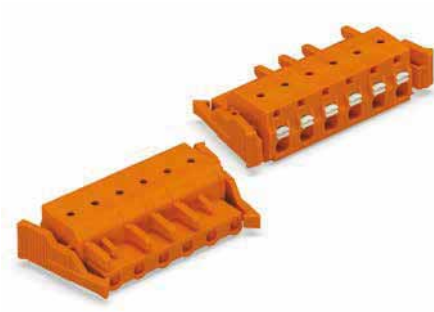
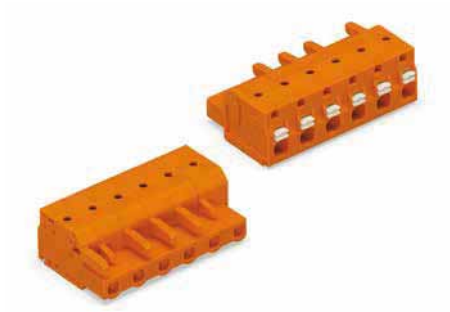
Ferrule	Page 847
Insulation stop	Page 723
Marking	Page 833
Mounting	Page 728
Strain relief	Page 725
Testing and measuring	Page 721, 854
Tools	Page 838
Cutout dimensions	Page 716
Direct marking	Page 712
Additional information, see "Technical Section"	
Approvals and corresponding ratings, visit <a href="http://www.wago.com">www.wago.com</a>	

### 1-Conductor Female Connector ▶ MCS MIDI Classic ▶ 2231 Series

Pin spacing: 7.62 mm (0.3 inch) ▶ Actuation type: Push-button ▶ Push-in CAGE CLAMP® ▶ Conductor entry direction to mating direction: 0° ▶ Color: orange

Locking of plug-in connection: locking lever

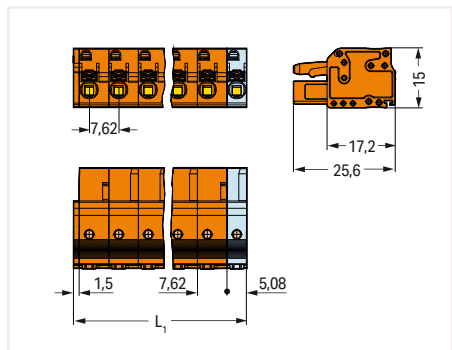
Type of mounting: Feed-through mounting, Panel mounting ▶ Mounting type: Mounting flange



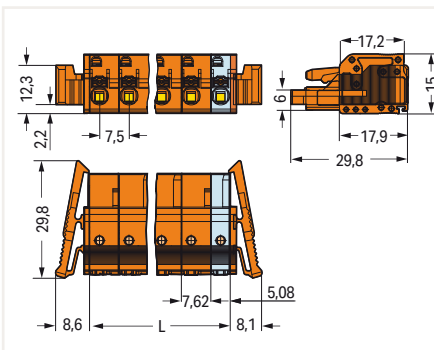
Pole No.	Item No.	PU
2	2231-702/026-000	100
3	2231-703/026-000	100
4	2231-704/026-000	50
5	2231-705/026-000	50
6	2231-706/026-000	50
7	2231-707/026-000	50
8	2231-708/026-000	25
9	2231-709/026-000	25
10	2231-710/026-000	25
11	2231-711/026-000	25
12	2231-712/026-000	25

Pole No.	Item No.	PU
2	2231-702/037-000	50
3	2231-703/037-000	50
4	2231-704/037-000	50
5	2231-705/037-000	50
6	2231-706/037-000	25
7	2231-707/037-000	25
8	2231-708/037-000	25
9	2231-709/037-000	25
10	2231-710/037-000	25
11	2231-711/037-000	10
12	2231-712/037-000	10

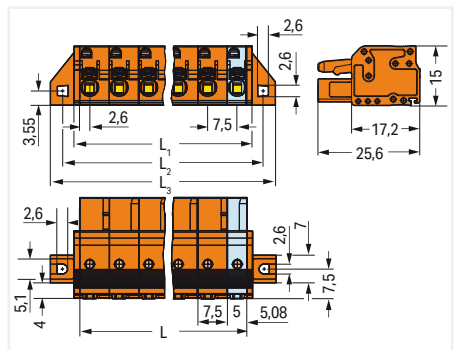
Pole No.	Item No.	PU
2	2231-702/031-000	50
3	2231-703/031-000	50
4	2231-704/031-000	50
5	2231-705/031-000	50
6	2231-706/031-000	25
7	2231-707/031-000	25
8	2231-708/031-000	25
9	2231-709/031-000	25
10	2231-710/031-000	25
11	2231-711/031-000	10
12	2231-712/031-000	10



$L_1 = (\text{pole no.} - 1) \times \text{pin spacing} + 5.08 \text{ mm} + 1.5 \text{ mm}$   
2- to 3-pole female connectors – one latch only



$L = (\text{pole no.} - 1) \times \text{pin spacing} + 5.08 \text{ mm}$   
2- to 3-pole female connectors – one latch only



$L = (\text{pole no.} - 1) \times \text{pin spacing} + 5.08 \text{ mm}$   
 $L_1 = L + 2.8 \text{ mm}$   
 $L_2 = L + 8.8 \text{ mm}$   
 $L_3 = L + 14.8 \text{ mm}$   
2- to 3-pole female connectors – one latch only

PU = Packaging Unit; SPU = Subpackaging Unit; Dimensions in mm

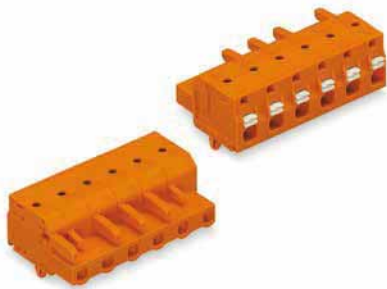
Other variants can be requested via the WAGO sales department or, if necessary, configured at <https://configurator.wago.com/>:

- Gold-plated or partially gold-plated contact surfaces

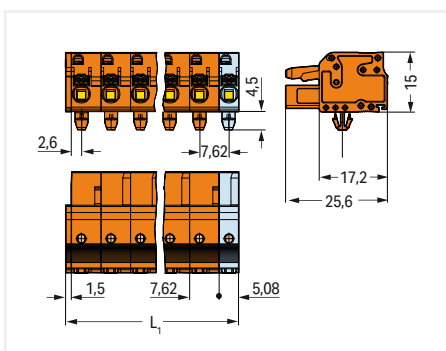
**1-Conductor Female Connector ▶ MCS MIDI Classic ▶ 2231 Series**

Pin spacing: 7.62 mm (0.3 inch) ▶ Actuation type: Push-button ▶ Push-in CAGE CLAMP® ▶ Conductor entry direction to mating direction: 0° ▶ Color: orange

Type of mounting: Panel mounting ▶ Mounting type:  
Snap-in mounting foot



Pole No.	Item No.	PU
2	2231-702/008-000	100
3	2231-703/008-000	100
4	2231-704/008-000	50
5	2231-705/008-000	50
6	2231-706/008-000	50
7	2231-707/008-000	50
8	2231-708/008-000	25
9	2231-709/008-000	25
10	2231-710/008-000	25
11	2231-711/008-000	25
12	2231-712/008-000	25



$L_1 = (\text{pole no.} - 1) \times \text{pin spacing} + 5.08 \text{ mm} + 1.5 \text{ mm}$   
2- to 3-pole female connectors – one latch only

PU = Packaging Unit; SPU = Subpackaging Unit; Dimensions in mm

Other variants can be requested via the WAGO sales department or, if necessary, configured at <https://configurator.wago.com/>:

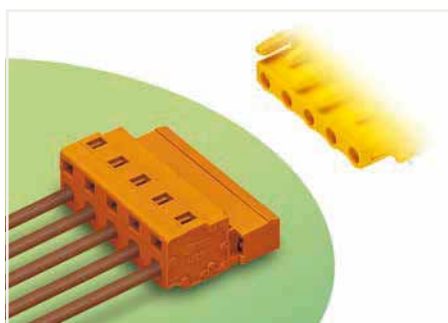
- Gold-plated or partially gold-plated contact surfaces



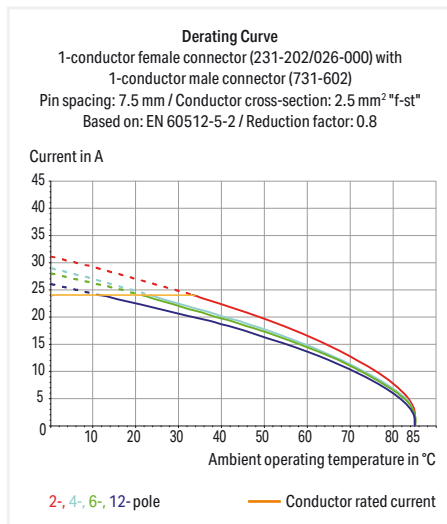


## 1-Conductor Male Connector ▶ MCS MIDI Classic ▶ 731 Series

Pin spacing: 7.62 mm (0.3 inch) ▶ Actuation type: Operating tool ▶ CAGE CLAMP® ▶ Conductor entry direction to mating direction: 0° ▶ Color: orange



- Universal connection for all conductor types
- Easy cable pre-assembly and on-unit wiring via vertical and horizontal CAGE CLAMP® actuation
- For wire-to-wire and board-to-wire connections
- Versions available with snap-in mounting feet or flanges for panel or through-panel mounting
- With coding fingers



### Electrical Data

Ratings per	IEC/EN 60664-1		
Overvoltage category	III	III	II
Pollution degree	3	2	2
Rated voltage	500 V	630 V	1000 V
Rated impulse voltage	6 kV	6 kV	6 kV
Rated current	12 A	12 A	12 A
Approvals per	UL 1059		
Use Group	B	C	D
Rated voltage	300 V	-	300 V
Rated current	15 A	-	10 A
Approvals per	UL 1977		
Rated voltage	600 V		
Rated current	-		
Approvals per	CSA		
Use Group	B	C	D
Rated voltage	300 V	-	300 V
Rated current	15 A	-	10 A

### Connection Data

Connection technology	CAGE CLAMP®
Strip length	8 ... 9 mm / 0.31 ... 0.35 inch
Solid conductor	0.08 ... 2.5 mm <sup>2</sup> / 28 ... 12 AWG
Fine-stranded conductor	0.08 ... 2.5 mm <sup>2</sup> / 28 ... 12 AWG
Fine-stranded conductor with ferrule with plastic collar	0.25 ... 1.5 mm <sup>2</sup>
Fine-stranded conductor with ferrule without plastic collar	0.25 ... 2.5 mm <sup>2</sup>

### Material Data

Material group	I
Insulating material	Polyamide 66 (PA 66)
Flammability class per UL94	V0
Clamping spring material	Chrome nickel spring steel (CrNi)
Contact material	Electrolytic copper (Ecu)
Contact plating	Tin-plated

### Environmental Requirements

Limit temperature range	-60 ... +100 °C
-------------------------	-----------------

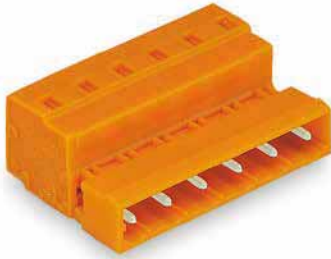
The *MULTI CONNECTION SYSTEM (MCS)* is designed without breaking capacity for compliance with DIN EN 61984. When used as intended, MCS Connectors shall not be connected/disconnected when live or under load. The circuit design should ensure header pins, which can be touched, are not live when unmated.

Coding	Page 722
Ferrule	Page 847
General accessory	Page 723
Insulation stop	Page 723
Marking	Page 833
Mounting	Page 723, 837
Mounting adapter	Page 729
Strain relief	Page 727
Tools	Page 720, 838
Direct marking	Page 712
Additional information, see "Technical Section"	
Approvals and corresponding ratings, visit <a href="http://www.wago.com">www.wago.com</a>	

## 1-Conductor Male Connector ▶ MCS MIDI Classic ▶ 731 Series

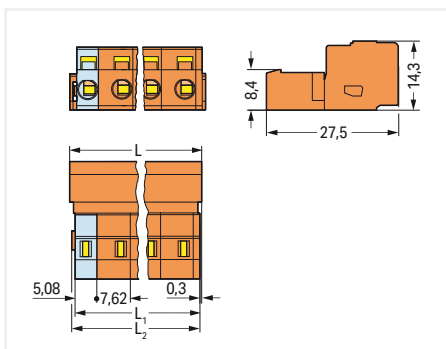
Pin spacing: 7.62 mm (0.3 inch) ▶ Actuation type: Operating tool ▶ CAGE CLAMP® ▶ Conductor entry direction to mating direction: 0° ▶ Color: orange

Type of mounting: Feed-through mounting, Panel mounting ▶ Mounting type: Mounting flange

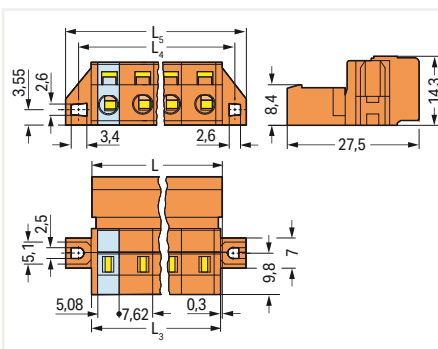


Pole No.	Item No.	PU
2	731-632	100
3	731-633	100
4	731-634	50
5	731-635	50
6	731-636	50
7	731-637	50
8	731-638	25
9	731-639	25
10	731-640	25
11	731-641	25
12	731-642	25

Pole No.	Item No.	PU
2	731-632/019-000	50
3	731-633/019-000	50
4	731-634/019-000	50
5	731-635/019-000	50
6	731-636/019-000	25
7	731-637/019-000	25
8	731-638/019-000	25
9	731-639/019-000	25
10	731-640/019-000	25
11	731-641/019-000	10
12	731-642/019-000	10



$L = (\text{pole no.} - 1) \times \text{pin spacing} + 8.2 \text{ mm}$   
 $L_1 = L - 1.7 \text{ mm}$   
 $L_2 = L - 1.2 \text{ mm}$



$L = (\text{pole no.} - 1) \times \text{pin spacing} + 8.2 \text{ mm}$   
 $L_3 = L - 0.2 \text{ mm}$   
 $L_4 = L_3 + 5.8 \text{ mm}$   
 $L_5 = L_3 + 11.8 \text{ mm}$

PU = Packaging Unit; SPU = Subpackaging Unit; Dimensions in mm

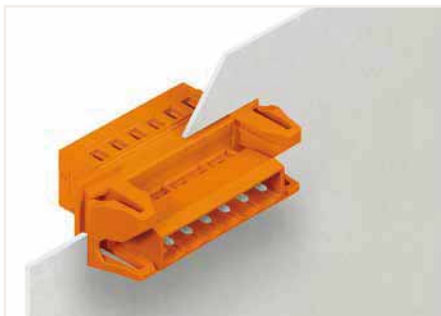
Other variants can be requested via the WAGO sales department or, if necessary, configured at <https://configurator.wago.com/>:

- Other pole numbers
- Gold-plated or partially gold-plated contact surfaces

**1-Conductor Male Connector ▶ MCS MIDI Classic ▶ 731 Series**

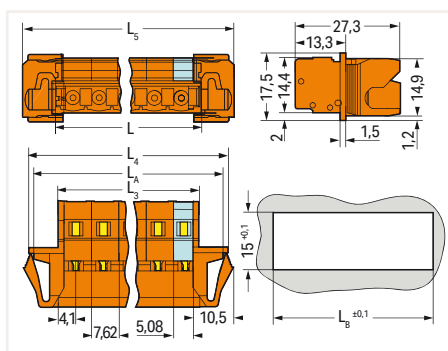
Pin spacing: 7.62 mm (0.3 inch) ▶ Actuation type: Operating tool ▶ CAGE CLAMP® ▶ Conductor entry direction to mating direction: 0° ▶ Color: orange

Type of mounting: Feed-through mounting ▶ Mounting type: Snap-in



Male connector, with snap-in flanges for feedthrough applications, for 0.5 ... 2.5 mm plate thickness

Pole No.	Item No.	PU
2	731-632/114-000	50
3	731-633/114-000	50
4	731-634/114-000	50
5	731-635/114-000	25
6	731-636/114-000	25
7	731-637/114-000	25
8	731-638/114-000	25
9	731-639/114-000	25
10	731-640/114-000	10
11	731-641/114-000	10
12	731-642/114-000	10



$L = (\text{pole no.} - 1) \times \text{pin spacing} + 8.2 \text{ mm}$

$L_3 = L - 0.2 \text{ mm}$

$L_4 = L_3 + 15.2 \text{ mm}$

$L_5 = L_3 + 18 \text{ mm}$

$L_A = L_3 + 12.6 \text{ mm}$

$L_B = L_3 + 13.2 \text{ mm}$

PU = Packaging Unit; SPU = Subpackaging Unit; Dimensions in mm

Other variants can be requested via the WAGO sales department or, if necessary, configured at <https://configurator.wago.com/>:

- Other pole numbers
- Gold-plated or partially gold-plated contact surfaces

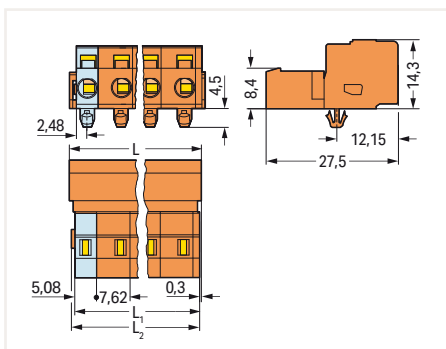
## 1-Conductor Male Connector ▶ MCS MIDI Classic ▶ 731 Series

Pin spacing: 7.62 mm (0.3 inch) ▶ Actuation type: Operating tool ▶ CAGE CLAMP® ▶ Conductor entry direction to mating direction: 0° ▶ Color: orange

Type of mounting: Panel mounting ▶ Mounting type:  
Snap-in mounting foot



Pole No.	Item No.	PU
2	731-632/018-000	100
3	731-633/018-000	100
4	731-634/018-000	50
5	731-635/018-000	50
6	731-636/018-000	50
7	731-637/018-000	50
8	731-638/018-000	25
9	731-639/018-000	25
10	731-640/018-000	25
11	731-641/018-000	25
12	731-642/018-000	25



$L = (\text{pole no.} - 1) \times \text{pin spacing} + 8.2 \text{ mm}$

$L_1 = L - 1.7 \text{ mm}$

$L_2 = L - 1.2 \text{ mm}$

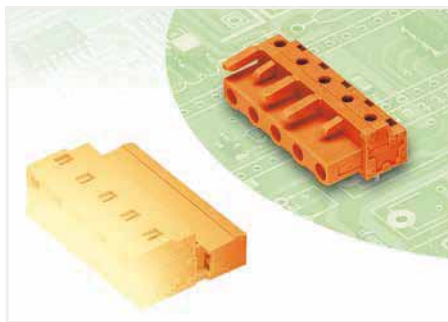
PU = Packaging Unit; SPU = Subpackaging Unit; Dimensions in mm

Other variants can be requested via the WAGO sales department or, if necessary, configured at <https://configurator.wago.com/>:

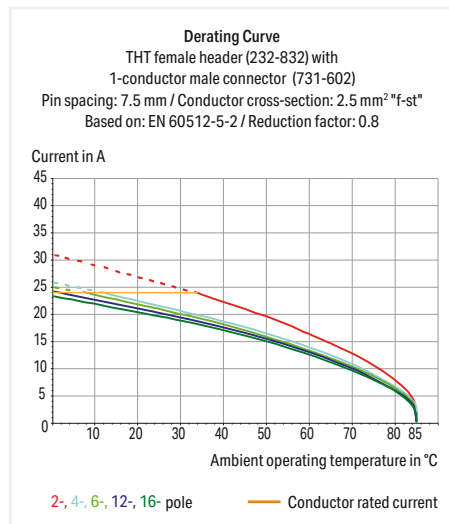
- Other pole numbers
- Gold-plated or partially gold-plated contact surfaces

## THT Female Header ▶ MCS MIDI Classic ▶ 232 Series

Pin spacing: 7.62 mm (0.3 inch) ▶ Solder pin dimensions: 0.6 x 1 mm ▶ Color: orange



- Horizontal or vertical PCB mounting via straight or angled solder pins
- For board-to-board and board-to-wire connections
- Touch-proof PCB outputs
- Easy-to-identify PCB inputs and outputs
- With coding fingers



### Electrical Data

Ratings per	IEC/EN 60664-1		
Overvoltage category	III	III	II
Pollution degree	3	2	2
Rated voltage	500 V	630 V	1000 V
Rated impulse voltage	6 kV	6 kV	6 kV
Rated current	12 A	12 A	12 A
Approvals per	UL 1059		
Use Group	B	C	D
Rated voltage	300 V	-	300 V
Rated current	15 A	-	10 A
Approvals per	UL 1977		
Rated voltage	600 V		
Rated current	-		
Approvals per	CSA		
Use Group	B	C	D
Rated voltage	300 V	-	300 V
Rated current	15 A	-	10 A

### Material Data

Material group	I
Insulating material	Polyamide 66 (PA 66)
Flammability class per UL94	V0
Contact material	Copper alloy
Contact plating	Tin-plated

### Mechanical Data

Solder pin arrangement	Over the entire female connector, in line
Solder pin length	5 mm
Solder pin dimensions	0.6 x 1 mm
Drilled hole diameter (tolerance)	1.3 <sup>(+0.1)</sup> mm

### Environmental Requirements

Limit temperature range	-60 ... +85 °C
-------------------------	----------------

The *MULTI CONNECTION SYSTEM (MCS)* is designed without breaking capacity for compliance with DIN EN 61984. When used as intended, MCS Connectors shall not be connected/disconnected when live or under load. The circuit design should ensure header pins, which can be touched, are not live when unmated.

Mounting Page 723, 837

Testing and measuring Page 721, 854

Cutout dimensions Page 716

Additional information, see "Technical Section"

Approvals and corresponding ratings, visit [www.wago.com](http://www.wago.com)

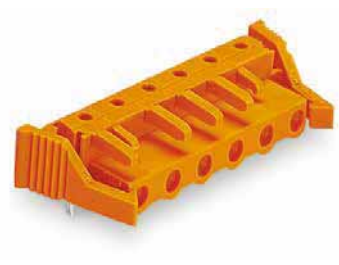
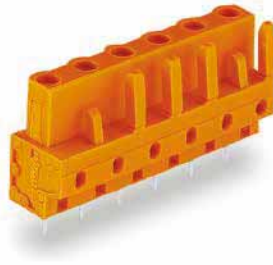
# THT Female Header ▶ MCS MIDI Classic ▶ 232 Series

Pin spacing: 7.62 mm (0.3 inch) ▶ Solder pin dimensions: 0.6 x 1 mm ▶ Color: orange

Mating direction to the PCB: 0°

Mating direction to the PCB: 90°

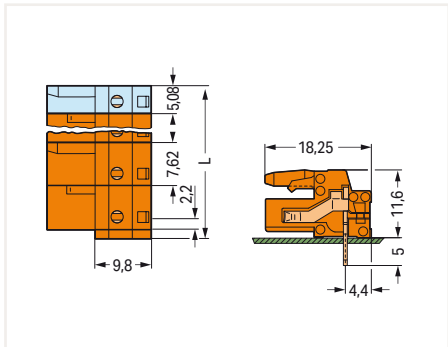
Locking of plug-in connection: locking lever ▶ Mating direction to the PCB: 0°



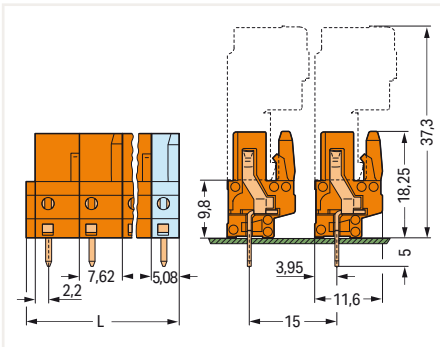
Pole No.	Item No.	PU
2	232-862	100
3	232-863	100
4	232-864	50
5	232-865	50
6	232-866	50
7	232-867	50
8	232-868	25
9	232-869	25
10	232-870	25
11	232-871	25
12	232-872	25

Pole No.	Item No.	PU
2	232-762	100
3	232-763	100
4	232-764	50
5	232-765	50
6	232-766	50
7	232-767	50
8	232-768	25
9	232-769	25
10	232-770	25
11	232-771	25
12	232-772	25

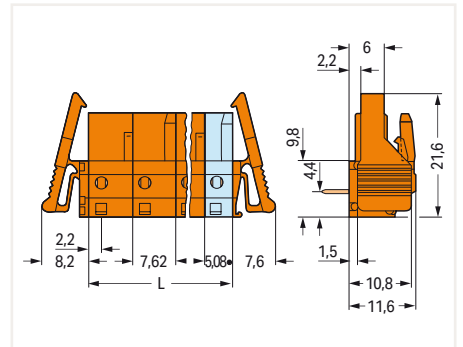
Pole No.	Item No.	PU
2	232-862/039-000	50
3	232-863/039-000	50
4	232-864/039-000	50
5	232-865/039-000	50
6	232-866/039-000	25
7	232-867/039-000	25
8	232-868/039-000	25
9	232-869/039-000	25
10	232-870/039-000	25
11	232-871/039-000	10
12	232-872/039-000	10



L = (pole no. - 1) x pin spacing + 5.08 mm + 1.5 mm  
Distance to first solder pin: 2.2 mm  
2- to 3-pole female connectors – one latch only



L = (pole no. - 1) x pin spacing + 5.08 mm + 1.5 mm  
2- to 3-pole female connectors – one latch only



L = (pole no. - 1) x pin spacing + 5.08 mm  
Distance to first solder pin: 2.2 mm  
2- to 3-pole female connectors – one latch only

PU = Packaging Unit; SPU = Subpackaging Unit; Dimensions in mm

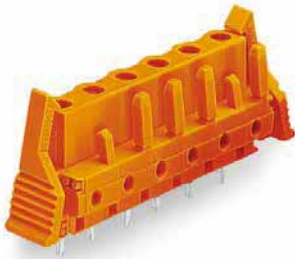
Other variants can be requested via the WAGO sales department or, if necessary, configured at <https://configurator.wago.com/>:

- Other pole numbers
- 3.8 mm pin projection for male headers with straight solder pins
- Gold-plated or partially gold-plated contact surfaces

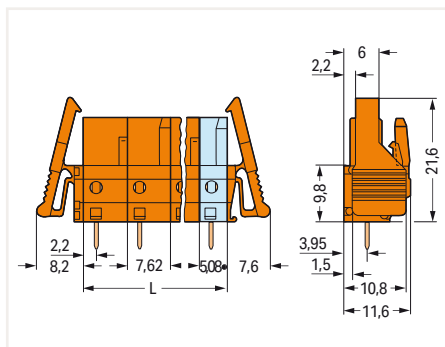
**THT Female Header ▶ MCS MIDI Classic ▶ 232 Series**

Pin spacing: 7.62 mm (0.3 inch) ▶ Solder pin dimensions: 0.6 x 1 mm ▶ Color: orange

Locking of plug-in connection: locking lever ▶ Mating direction to the PCB: 90°



Pole No.	Item No.	PU
2	232-762/039-000	50
3	232-763/039-000	50
4	232-764/039-000	50
5	232-765/039-000	50
6	232-766/039-000	25
7	232-767/039-000	25
8	232-768/039-000	25
9	232-769/039-000	25
10	232-770/039-000	25
11	232-771/039-000	10
12	232-772/039-000	10



$L = (\text{pole no.} - 1) \times \text{pin spacing} + 5.08 \text{ mm}$   
 2- to 3-pole female connectors – one latch only

PU = Packaging Unit; SPU = Subpackaging Unit; Dimensions in mm

Other variants can be requested via the WAGO sales department or, if necessary, configured at <https://configurator.wago.com/>:

- Other pole numbers
- 3.8 mm pin projection for male headers with straight solder pins
- Gold-plated or partially gold-plated contact surfaces



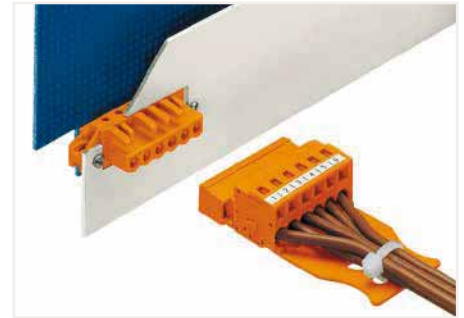
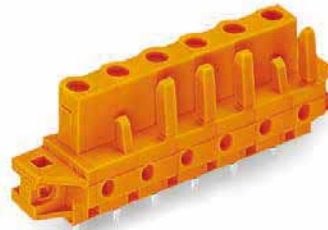
## THT Female Header ▶ MCS MIDI Classic ▶ 232 Series

Pin spacing: 7.62 mm (0.3 inch) ▶ Solder pin dimensions: 0.6 x 1 mm ▶ Color: orange

Type of mounting: Feed-through mounting, Panel mounting ▶ Mounting type: Mounting flange

Mating direction to the PCB: 0°

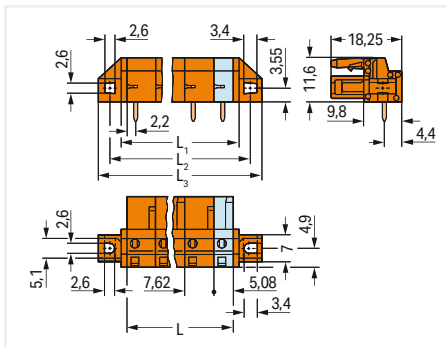
Mating direction to the PCB: 90°



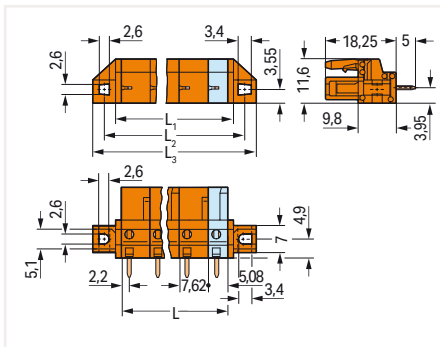
The innovative flange design provides standard panel mounting options or various through-panel mounting configurations. Depending on the type of application and flange, female headers can be used either for through-panel or flush mount applications.

Pole No.	Item No.	PU
2	232-862/031-000	50
3	232-863/031-000	50
4	232-864/031-000	50
5	232-865/031-000	50
6	232-866/031-000	25
7	232-867/031-000	25
8	232-868/031-000	25
9	232-869/031-000	25
10	232-870/031-000	25
11	232-871/031-000	10
12	232-872/031-000	10

Pole No.	Item No.	PU
2	232-762/031-000	50
3	232-763/031-000	50
4	232-764/031-000	50
5	232-765/031-000	50
6	232-766/031-000	25
7	232-767/031-000	25
8	232-768/031-000	25
9	232-769/031-000	25
10	232-770/031-000	25
11	232-771/031-000	10
12	232-772/031-000	10



$L = (\text{pole no.} - 1) \times \text{pin spacing} + 5.08 \text{ mm}$   
 $L_1 = L + 3 \text{ mm}$   
 $L_2 = L + 8.8 \text{ mm}$   
 $L_3 = L + 14.8 \text{ mm}$   
 2- to 3-pole female connectors – one latch only



$L = (\text{pole no.} - 1) \times \text{pin spacing} + 5.08 \text{ mm}$   
 $L_1 = L + 3 \text{ mm}$   
 $L_2 = L + 8.8 \text{ mm}$   
 $L_3 = L + 14.8 \text{ mm}$   
 2- to 3-pole female connectors – one latch only

PU = Packaging Unit; SPU = Subpackaging Unit; Dimensions in mm

Other variants can be requested via the WAGO sales department or, if necessary, configured at <https://configurator.wago.com/>:

- Other pole numbers
- 3.8 mm pin projection for male headers with straight solder pins
- Gold-plated or partially gold-plated contact surfaces

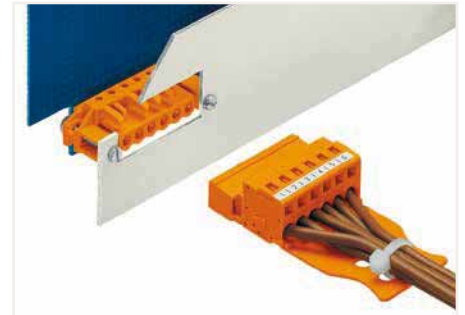
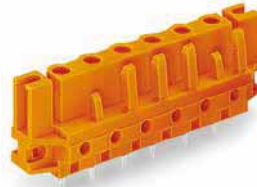
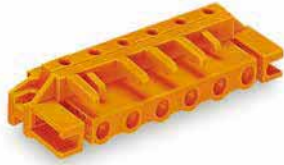
# THT Female Header ▶ MCS MIDI Classic ▶ 232 Series

Pin spacing: 7.62 mm (0.3 inch) ▶ Solder pin dimensions: 0.6 x 1 mm ▶ Color: orange

Type of mounting: Flush mounting, Panel mounting ▶ Mounting type: Mounting flange

Mating direction to the PCB: 0°

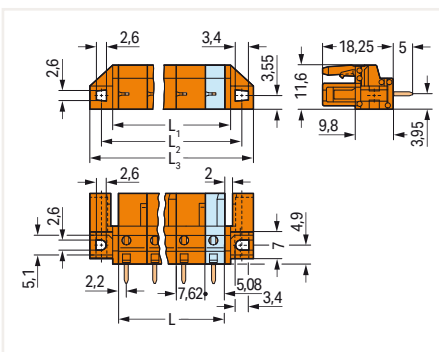
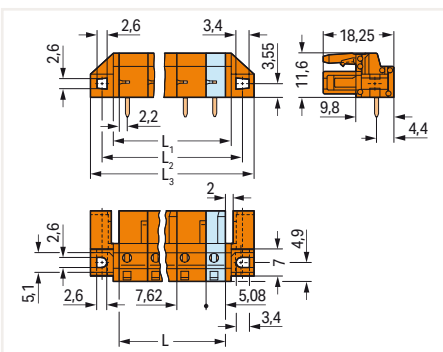
Mating direction to the PCB: 90°



The innovative flange design provides standard panel mounting options or various through-panel mounting configurations. Depending on the type of application and flange, female headers can be used either for through-panel or flush mount applications.

Pole No.	Item No.	PU
2	232-862/047-000	50
3	232-863/047-000	50
4	232-864/047-000	50
5	232-865/047-000	50
6	232-866/047-000	25
7	232-867/047-000	25
8	232-868/047-000	25
9	232-869/047-000	25
10	232-870/047-000	25
11	232-871/047-000	10
12	232-872/047-000	10

Pole No.	Item No.	PU
2	232-762/047-000	50
3	232-763/047-000	50
4	232-764/047-000	50
5	232-765/047-000	50
6	232-766/047-000	25
7	232-767/047-000	25
8	232-768/047-000	25
9	232-769/047-000	25
10	232-770/047-000	25
11	232-771/047-000	10
12	232-772/047-000	10



$L = (\text{pole no.} - 1) \times \text{pin spacing} + 5.08 \text{ mm}$

$L_1 = L + 3 \text{ mm}$

$L_2 = L + 8.8 \text{ mm}$

$L_3 = L + 14.8 \text{ mm}$

2- to 3-pole female connectors – one latch only

$L = (\text{pole no.} - 1) \times \text{pin spacing} + 5.08 \text{ mm}$

$L_1 = L + 3 \text{ mm}$

$L_2 = L + 8.8 \text{ mm}$

$L_3 = L + 14.8 \text{ mm}$

2- to 3-pole female connectors – one latch only

PU = Packaging Unit; SPU = Subpackaging Unit; Dimensions in mm

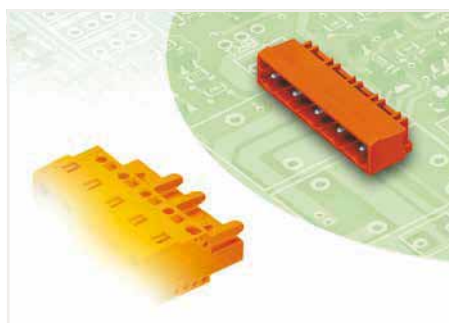
Other variants can be requested via the WAGO sales department or, if necessary, configured at <https://configurator.wago.com/>:

- Other pole numbers
- 3.8 mm pin projection for male headers with straight solder pins
- Gold-plated or partially gold-plated contact surfaces

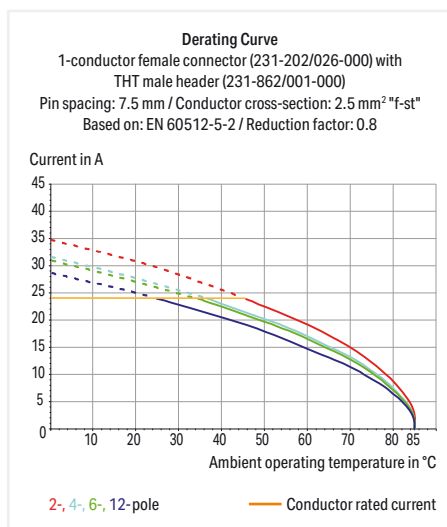


**THT Male Header ▶ MCS MIDI Classic ▶ 231 Series**

Pin spacing: 7.62 mm (0.3 inch) ▶ Solder pin dimensions: 1 x 1 mm ▶ Color: orange



- Horizontal or vertical PCB mounting via straight or angled solder pins
- Pin cross-section: 1 x 1 mm
- With coding fingers

**Electrical Data**

Ratings per	IEC/EN 60664-1		
Overvoltage category	III	III	II
Pollution degree	3	2	2
Rated voltage	500 V	630 V	1000 V
Rated impulse voltage	6 kV	6 kV	6 kV
Rated current	12 A	12 A	12 A
Approvals per	UL 1059		
Use Group	B	C	D
Rated voltage	300 V	-	300 V
Rated current	10 A	-	10 A
Approvals per	UL 1977		
Rated voltage	600 V		
Rated current	-		
Approvals per	CSA		
Use Group	B	C	D
Rated voltage	300 V	-	300 V
Rated current	10 A	-	10 A

**Material Data**

Material group	I
Insulating material	Polyamide 66 (PA 66)
Flammability class per UL94	V0
Contact material	Electrolytic copper (Ecu)
Contact plating	Tin-plated

**Mechanical Data**

Solder pin arrangement	Over the entire male connector, in line
Solder pin dimensions	1 x 1 mm
Drilled hole diameter (tolerance)	1.4 <sup>(+0.1)</sup> mm

**Environmental Requirements**

Limit temperature range	-60 ... +100 °C
-------------------------	-----------------

The *MULTI CONNECTION SYSTEM (MCS)* is designed without breaking capacity for compliance with DIN EN 61984. When used as intended, MCS Connectors shall not be connected/disconnected when live or under load. The circuit design should ensure header pins, which can be touched, are not live when unmated.

Coding Page 722

Additional information, see "Technical Section"

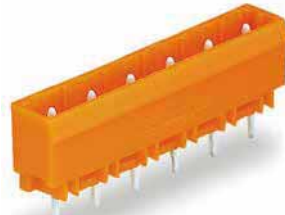
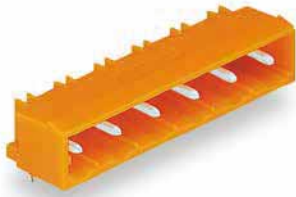
Approvals and corresponding ratings, visit [www.wago.com](http://www.wago.com)

## THT Male Header ▶ MCS MIDI Classic ▶ 231 Series

Pin spacing: 7.62 mm (0.3 inch) ▶ Solder pin dimensions: 1 x 1 mm ▶ Color: orange

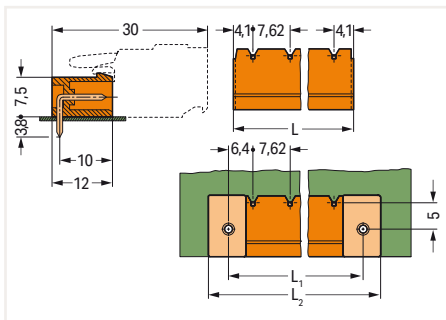
Mating direction to the PCB: 0°

Mating direction to the PCB: 90°



Pole No.	Item No.	PU
2	231-932/001-000	100
3	231-933/001-000	200
4	231-934/001-000	100
5	231-935/001-000	100
6	231-936/001-000	50
7	231-937/001-000	50
8	231-938/001-000	50
9	231-939/001-000	50
10	231-940/001-000	50
11	231-941/001-000	50
12	231-942/001-000	50

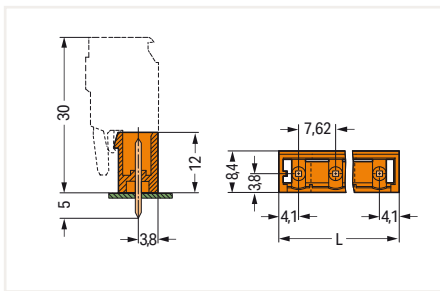
Pole No.	Item No.	PU
2	231-732/001-000	200
3	231-733/001-000	200
4	231-734/001-000	100
5	231-735/001-000	100
6	231-736/001-000	100
7	231-737/001-000	50
8	231-738/001-000	50
9	231-739/001-000	50
10	231-740/001-000	50
11	231-741/001-000	50
12	231-742/001-000	50



$$L = (\text{pole no.} - 1) \times \text{pin spacing} + 8.2 \text{ mm}$$

$$L_1 = L + 5 \text{ mm}$$

$$L_2 = L_1 + 7.4 \text{ mm}$$



$$L = (\text{pole no.} - 1) \times \text{pin spacing} + 8.2 \text{ mm}$$

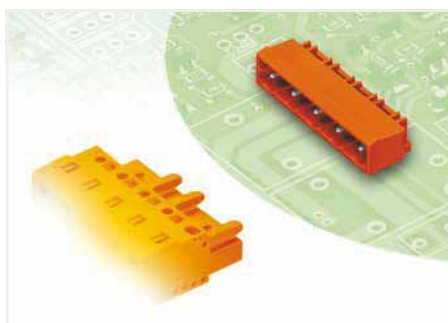
PU = Packaging Unit; SPU = Subpackaging Unit; Dimensions in mm

Other variants can be requested via the WAGO sales department or, if necessary, configured at <https://configurator.wago.com/>:

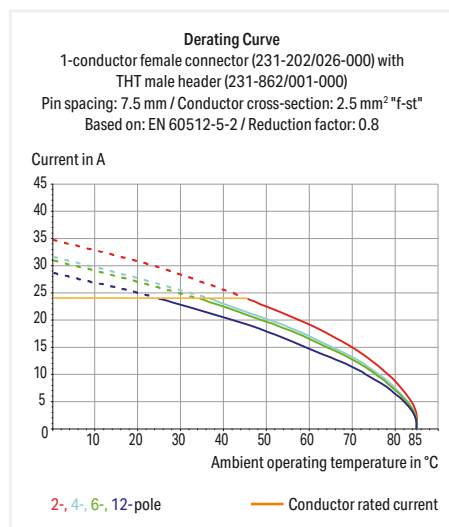
- Other pole numbers
- 3.8 mm pin projection for male headers with straight solder pins
- Gold-plated or partially gold-plated contact surfaces

## THT Male Header ▶ MCS MIDI Classic ▶ 231 Series

Pin spacing: 7.62 mm (0.3 inch) ▶ Solder pin dimensions: 1.2 x 1.2 mm ▶ Color: orange



- Horizontal or vertical PCB mounting via straight or angled solder pins
- 1.2 x 1.2 mm solder pins allow nominal current up to 16 A, enhancing stability of shorter headers
- With coding fingers



### Electrical Data

Ratings per	IEC/EN 60664-1		
Overvoltage category	III	III	II
Pollution degree	3	2	2
Rated voltage	500 V	630 V	1000 V
Rated impulse voltage	6 kV	6 kV	6 kV
Rated current	16 A	16 A	16 A
Approvals per	UL 1059		
Use Group	B	C	D
Rated voltage	300 V	-	300 V
Rated current	15 A	-	10 A
Approvals per	UL 1977		
Rated voltage	600 V		
Rated current	-		
Approvals per	CSA		
Use Group	B	C	D
Rated voltage	300 V	-	300 V
Rated current	15 A	-	10 A

### Material Data

Material group	I
Insulating material	Polyamide 66 (PA 66)
Flammability class per UL94	V0
Contact material	Electrolytic copper (Ecu)
Contact plating	Tin-plated

### Mechanical Data

Solder pin arrangement	Over the entire male connector, in line
Solder pin dimensions	1.2 x 1.2 mm
Drilled hole diameter (tolerance)	1.7 <sup>(+0.1)</sup> mm

### Environmental Requirements

Limit temperature range	-60 ... +100 °C
-------------------------	-----------------

The *MULTI CONNECTION SYSTEM (MCS)* is designed without breaking capacity for compliance with DIN EN 61984. When used as intended, MCS Connectors shall not be connected/disconnected when live or under load. The circuit design should ensure header pins, which can be touched, are not live when unmated.

Coding Page 722

Additional information, see "Technical Section"

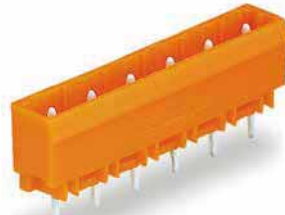
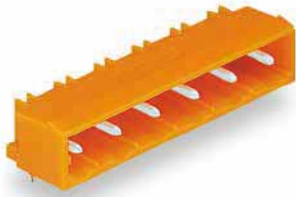
Approvals and corresponding ratings, visit [www.wago.com](http://www.wago.com)

## THT Male Header ▶ MCS MIDI Classic ▶ 231 Series

Pin spacing: 7.62 mm (0.3 inch) ▶ Solder pin dimensions: 1.2 x 1.2 mm ▶ Color: orange

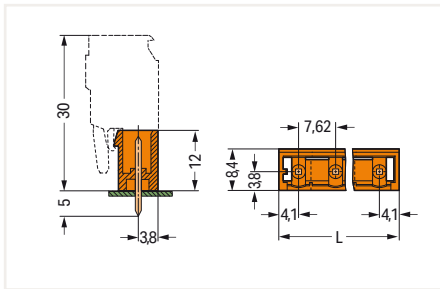
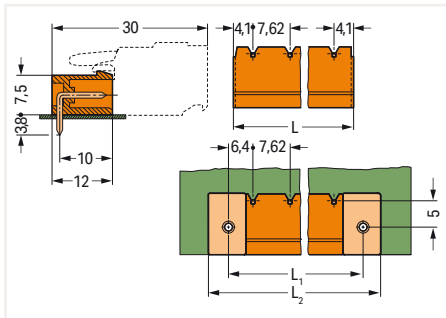
Mating direction to the PCB: 0°

Mating direction to the PCB: 90°



Pole No.	Item No.	PU
2	231-962/001-000	200
3	231-963/001-000	200
4	231-964/001-000	100
5	231-965/001-000	100
6	231-966/001-000	100
7	231-967/001-000	50
8	231-968/001-000	50
9	231-969/001-000	50
10	231-970/001-000	50
11	231-971/001-000	50
12	231-972/001-000	50

Pole No.	Item No.	PU
2	231-762/001-000	200
3	231-763/001-000	200
4	231-764/001-000	100
5	231-765/001-000	100
6	231-766/001-000	100
7	231-767/001-000	50
8	231-768/001-000	50
9	231-769/001-000	50
10	231-770/001-000	50
11	231-771/001-000	50
12	231-772/001-000	50



$L = (\text{pole no.} - 1) \times \text{pin spacing} + 8.2 \text{ mm}$

$L = (\text{pole no.} - 1) \times \text{pin spacing} + 8.2 \text{ mm}$

$L_1 = L + 5 \text{ mm}$

$L_2 = L_1 + 7.4 \text{ mm}$

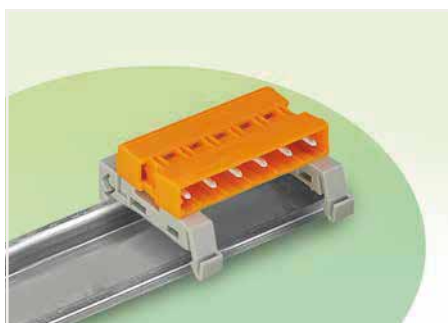
PU = Packaging Unit; SPU = Subpackaging Unit; Dimensions in mm

Other variants can be requested via the WAGO sales department or, if necessary, configured at <https://configurator.wago.com/>:

- Other pole numbers
- 3.8 mm pin projection for male headers with straight solder pins
- Gold-plated or partially gold-plated contact surfaces

**Double-Pin Male Connector ▶ MCS MIDI Classic ▶ 232 Series**

Pin spacing: 7.62 mm (0.3 inch) ▶ Type of mounting: DIN-35 rail ▶ Color: orange



- Allow MCS Female Connectors fitted with wire harness or cable assembly to be plugged together
- Adapter for DIN-35 rail mounting
- Coding via coding keys on both sides

**Electrical Data**

Ratings per	IEC/EN 60664-1		
Overvoltage category	III	III	II
Pollution degree	3	2	2
Rated voltage	500 V	630 V	1000 V
Rated impulse voltage	6 kV	6 kV	6 kV
Rated current	12 A	12 A	12 A

Approvals per	UL 1059		
Use Group	B	C	D
Rated voltage	300 V	-	300 V
Rated current	15 A	-	10 A

Approvals per	UL 1977		
Rated voltage	600 V		
Rated current	-		

Approvals per	CSA		
Use Group	B	C	D
Rated voltage	300 V	-	300 V
Rated current	15 A	-	10 A

**Material Data**

Material group	I
Insulating material	Polyamide 66 (PA 66)
Flammability class per UL94	V0
Contact material	Electrolytic copper (Ecu)
Contact plating	Tin-plated

**Environmental Requirements**

Limit temperature range	-60 ... +100 °C
-------------------------	-----------------

The *MULTI CONNECTION SYSTEM (MCS)* is designed without breaking capacity for compliance with DIN EN 61984. When used as intended, MCS Connectors shall not be connected/disconnected when live or under load. The circuit design should ensure header pins, which can be touched, are not live when unmated.

Carrier rail Page 836

Coding Page 722

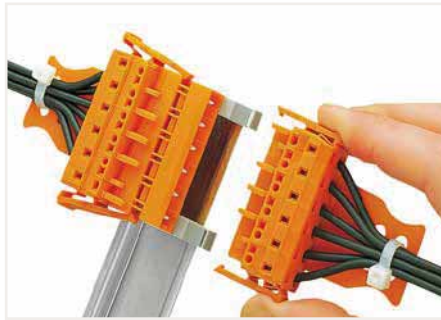
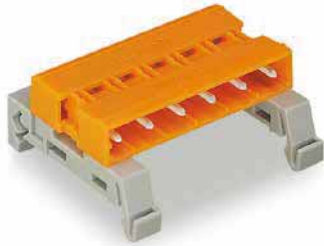
Additional information, see "Technical Section"

Approvals and corresponding ratings, visit [www.wago.com](http://www.wago.com)



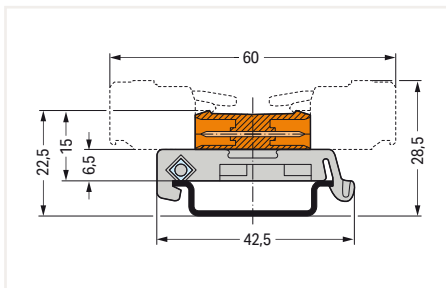
## Double-Pin Male Connector ▶ MCS MIDI Classic ▶ 232 Series

Pin spacing: 7.62 mm (0.3 inch) ▶ Type of mounting: DIN-35 rail ▶ Color: orange



Female connectors with locking levers

Pole No.	Item No.	PU
2	232-582/007-000	50
3	232-583/007-000	50
4	232-584/007-000	25
5	232-585/007-000	25
6	232-586/007-000	25
7	232-587/007-000	10
8	232-588/007-000	10
9	232-589/007-000	10
10	232-590/007-000	10
11	232-591/007-000	10
12	232-592/007-000	10



Total length = (pole no. - 1) x pin spacing + 8.2 mm

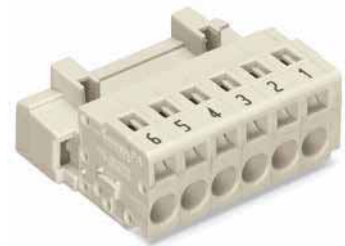
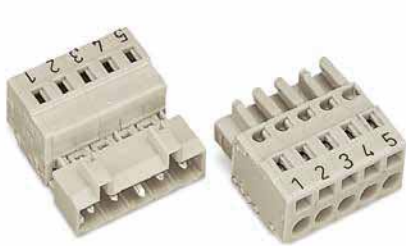
PU = Packaging Unit; SPU = Subpackaging Unit; Dimensions in mm

Other variants can be requested via the WAGO sales department or, if necessary, configured at <https://configurator.wago.com/>:

- Other pole numbers

# Direct Marking

## MCS MIDI and MCS MIDI Classic



The pole numbers of male and female connectors for CAGE CLAMP® termination can be marked via factory direct marking.

- Two standard marking orientations are available:
1. Marking perpendicular to conductor entry
  2. Marking parallel to conductor entry

Other custom marking options are available upon request.

Direct marking is not suitable for MCS PCB Male Headers. WAGO recommends pole marking on the PCB for these headers.

Female headers with solder pins are exposed to aggressive flux agents during wave soldering. Custom direct marking procedures are available upon request for these items.

The marking type is always defined by the second 4-digit block of the item no. suffix for items with standard colors and materials.

Example: 721-106/... - xxxx  
xxxx = Item no. suffix for direct marking

Direct marking of 1-conductor female connectors; perpendicular to conductor entry; 1 ... pole no.; item no. suffix: /... - 047

Version	Item No. Example
1-conductor female connector; 5 mm pin spacing; 6-pole; light gray	721-106/026-047
1-conductor female connector; with locking levers; 5 mm pin spacing; 6-pole; light gray	721-106/037-047
1-conductor female connector; with strain relief plate; 5 mm pin spacing; 6-pole; light gray	721-106/026-047/034-000
1-conductor female connector; with locking levers and strain relief plate; 5 mm pin spacing; 6-pole; light gray	721-106/026-047/034-000

Direct marking of 1-conductor male connectors; perpendicular to conductor entry; pole no. ... 1; item no. suffix: /... - 044

Version	Item No. Example
1-conductor male connector; 6-pole; light gray	721-606/000-044
1-conductor male connector; with mounting flanges; 6-pole; light gray	721-606/019-044
1-conductor male connector; with mounting flanges and strain relief plate; 6-pole; light gray	721-606/019-044/034-000

9



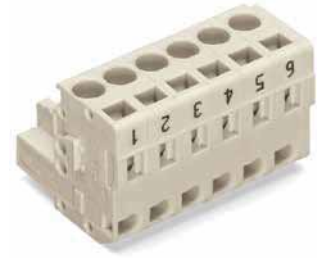
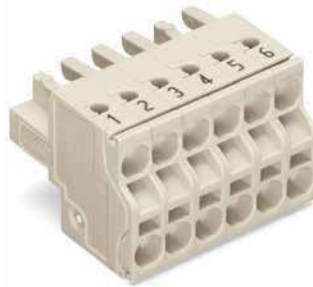
Direct marking of 1-conductor female connectors; parallel to conductor entry; 1 ... pole no.; item no. suffix: /... - 9037

Version	Item No. Example
1-conductor female connector; 5 mm pin spacing; 6-pole; light gray	721-106/026-9037
1-conductor female connector; with locking levers; 5 mm pin spacing; 6-pole; light gray	721-106/037-9037
1-conductor female connector; with strain relief plate; 5 mm pin spacing; 6-pole; light gray	721-106/026-9037/034-000
1-conductor female connector; with locking levers and strain relief plate; 5 mm pin spacing; 6-pole; light gray	721-106/037-9037/034-000

Direct marking of 1-conductor male connectors; parallel to conductor entry; pole no. ... 1; item no. suffix: /... - 9034

Version	Item No. Example
1-conductor male connector; 5 mm pin spacing; 6-pole; light gray	721-606/000-9034
1-conductor male connector; with mounting flanges; 5 mm pin spacing; 6-pole; light gray	721-606/019-9034
1-conductor male connector; with mounting flanges and strain relief plate; 5 mm pin spacing; 6-pole; light gray	721-606/019-9034/034-000

## Direct Marking MCS MIDI and MCS MIDI Classic



Direct marking of 1-conductor female connectors with push-buttons; perpendicular to conductor entry; 1 ... pole no.; item no. suffix.: /... - 047

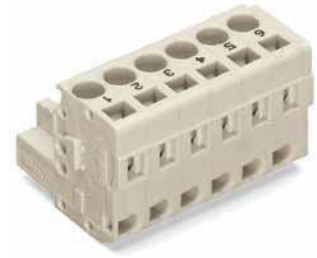
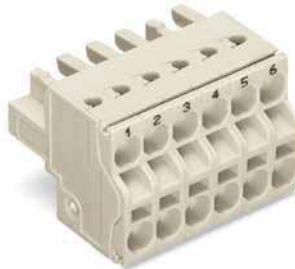
Version	Item No. Example
1-conductor female connector; with push-buttons; 5 mm pin spacing; 6-pole; light gray	2721-106/026-047
1-conductor female connector; with locking levers; 5 mm pin spacing; 6-pole; light gray	2721-106/037-047
1-conductor female connector; with push-buttons and strain relief plate; 5 mm pin spacing; 6-pole; light gray	2721-106/026-047/ 134-000
1-conductor female connector; with push-buttons; locking levers and strain relief plate; 5 mm pin spacing; 6-pole; light gray	2721-106/037-047/ 134-000

Direct marking of 2-conductor female connectors; perpendicular to conductor entry; 1 ... pole no.; item no. suffix.: /... - 047

Version	Item No. Example
2-conductor female connector; 6-pole; light gray	721-2106/026-047
2-conductor female connector; with locking levers; 6-pole; light gray	721-2106/037-047
2-conductor female connector; with locking levers and strain relief plate; 6-pole; light gray	721-2106/026-047/ 134-000

Direct marking of 1-conductor angled female connectors; perpendicular to conductor entry; 1 ... pole no.; item no. suffix.: /... - 047

Version	Item No. Example
1-conductor angled female connector; 6-pole; light gray	722-206/026-047
1-conductor angled female connector; with strain relief plate; 6-pole; light gray	722-206/026-047/ 034-000



Direct marking of 1-conductor female connectors with push-buttons; parallel to conductor entry; 1 ... pole no.; item no. suffix.: /... - 9037

Version	Item No. Example
1-conductor female connector; with push-buttons; 5 mm pin spacing; 6-pole; light gray	2721-106/026-9037
1-conductor female connector; with push-buttons and locking levers; 5 mm pin spacing; 6-pole; light gray	2721-106/037-9037
1-conductor female connector; with push-buttons and strain relief plate; 5 mm pin spacing; 6-pole; light gray	2721-106/026-9037/ 134-000
1-conductor female connector; with push-buttons; locking levers and strain relief plate; 5 mm pin spacing; 6-pole; light gray	2721-106/037-9037/ 134-000

Direct marking of 2-conductor female connectors; parallel to conductor entry; 1 ... pole no.; item no. suffix.: /... - 9037

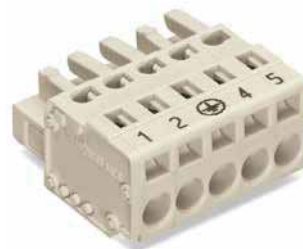
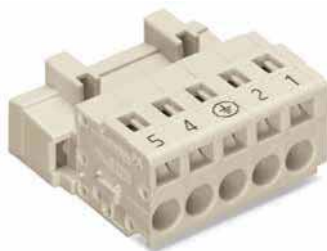
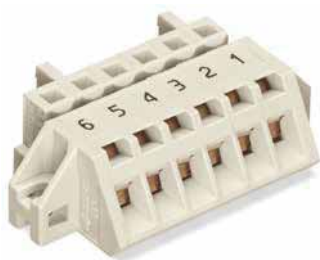
Version	Item No. Example
2-conductor female connector; 5 mm pin spacing; 6-pole; light gray	721-2106/026-9037
2-conductor female connector; with locking levers; 5 mm pin spacing; 6-pole; light gray	721-2106/037-9037
2-conductor female connector; with locking levers and strain relief plate; 6-pole; light gray	721-2106/026-9037/ 134-000

Direct marking of 1-conductor angled female connectors; parallel to conductor entry; 1 ... pole no.; item no. suffix.: /... - 047

Version	Item No. Example
1-conductor angled female connector; 5 mm pin spacing; 6-pole; light gray	722-206/026-9037
1-conductor angled female connector; with strain relief plate; 5 mm pin spacing; 6-pole; light gray	722-206/026-9037/ 034-000

## Direct Marking

### MCS MIDI and MCS MIDI Classic



Direct marking of 2-conductor angled female connectors with flanges for panel mounting; perpendicular to conductor entry; 1 ... pole no.; item no. suffix.: /... - 047

Version	Item No. Example
1-conductor angled female connector; with flanges for panel mounting; 5 mm pin spacing; 6-pole; light gray	721-306/031-047
1-conductor angled female connector; with flanges for panel mounting; with snap-in mounting feet; 5 mm pin spacing; 6-pole; light gray	721-306/008-047

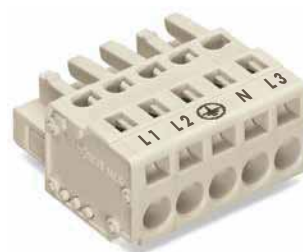
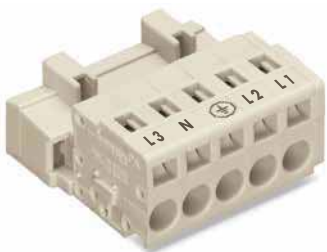
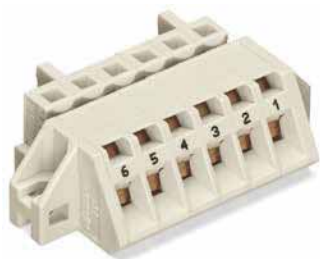
Direct marking of 3- to 5-pole; 1-conductor male connectors with preceding ground contact; perpendicular to conductor entry; pole assignment; item no. suffix.: /... - 042

Version	Item No. Example
1-conductor male connector; with preceding ground contact; 5 mm pin spacing; 5-pole; light gray	721-605/000-042
1-conductor male connectors in 3- to 5-pole versions (721 and 723 Series) are available with the following markings:	
3-pole: 3 - 3 - 1	
4-pole: 4 - 3 - 2 - 1	
5-pole: 5 - 3 - ⊕ - 2 - 1	

Direct marking of 3- to 5-pole; 1-conductor female connectors for 1-conductor male connectors with preceding ground contact; perpendicular to conductor entry; pole assignment; item no. suffix.: /... - 045

Version	Item No. Example
1-conductor female connector; with preceding ground contact; 5 mm pin spacing; 5-pole; light gray	721-105/026-045
1-conductor female connectors in 3- to 5-pole versions (721, 2721, 722 and 723 Series) for 1-conductor male connectors with preceding ground contact are available with the following markings:	
3-pole: 1 - 3 - 3	
4-pole: 1 - 2 - 3 - 4	
5-pole: 1 - 2 - ⊕ - 4 - 5	

9



Direct marking of 1-conductor angled female connectors with flanges for panel mounting; parallel to conductor entry; 1 ... pole no.; item no. suffix.: /... - 9037

Version	Item No. Example
1-conductor female connector; with push-buttons; 5 mm pin spacing; 6-pole; light gray	2721-106/026-9037
1-conductor female connector; with push-buttons and locking levers; 5 mm pin spacing; 6-pole; light gray	2721-106/037-9037
1-conductor female connector; with push-buttons and strain relief plate; 5 mm pin spacing; 6-pole; light gray	2721-106/026-9037/134-000
1-conductor female connector; with push-buttons; locking levers and strain relief plate; 5 mm pin spacing; 6-pole; light gray	2721-106/037-9037/134-000

Direct marking of 3- to 5-pole; 1-conductor male connectors with preceding ground contact; perpendicular to conductor entry; pole assignment; item no. suffix.: /... - 041

Version	Item No. Example
1-conductor male connector; with preceding ground contact; 5 mm pin spacing; 5-pole; light gray	721-605/000-041
1-conductor male connectors in 3- to 5-pole versions (721 and 723 Series) are available with the following markings:	
3-pole: N - 3 - L 1	
4-pole: L 2 - 3 - N - L 1	
5-pole: L 3 - N - 3 - L 2 - L 1	
Pole no. ... 1; item no. suffix.: /... - 043	

Direct marking of 3- to 5-pole; 1-conductor female connectors for 1-conductor male connectors with preceding ground contact; perpendicular to conductor entry; pole assignment; item no. suffix.: /... - 046

Version	Item No. Example
1-conductor female connector; with preceding ground contact; 5 mm pin spacing; 5-pole; light gray	721-105/026-046
1-conductor female connectors in 3- to 5-pole versions (721, 2721, 722 and 723 Series) for 1-conductor male connectors with preceding ground contact are available with the following markings:	
3-pole: L 1 - 3 - N	
4-pole: L 1 - N - 3 - L 2	
5-pole: L 1 - L 2 - 3 - N - L 3	
1 ... pole no.; item no. suffix.: /... - 047	



# Cutout Dimensions MCS MIDI



**Table 1:**  
Cutout for 231. 721. 723 and 731 Series Male and Female Connectors with Mounting Flanges

Pole No.	Pin Spacing 5 mm		Pin Spacing 5.08 mm		Pin Spacing 7.5 mm		Pin Spacing 7.62 mm	
	L1	L2	L1	L2	L1	L2	L1	L2
2	13.4	18.4	13.6	18.6	15.9	20.9	16	21
3	18.4	23.4	18.6	23.6	23.4	28.4	23.6	28.6
4	23.4	28.4	23.7	28.7	30.9	35.9	31.3	36.3
5	28.4	33.4	28.8	33.8	38.4	43.4	38.9	43.9
6	33.5	38.3	34	38.8	46	50.8	46.6	51.4
7	38.5	43.3	39.1	43.9	53.5	58.3	54.2	59
8	43.5	48.3	44.1	48.9	61	65.8	61.8	66.6
9	48.5	53.3	49.2	54	68.5	73.3	69.5	74.3
10	53.5	58.3	54.3	59.1	76	80.8	77.1	81.9
11	58.5	63.3	59.4	64.2	83.5	88.3	84.7	89.5
12	63.5	68.3	64.5	69.3	91	95.8	92.3	97.1
13	68.6	73.2	69.6	74.2	98.6	103.2	100	104.6
14	73.6	78.2	74.7	79.3	106.1	110.7	107.7	112.3
15	78.6	83.2	79.8	84.4	113.6	118.2	115.3	119.9
16	83.6	88.2	84.9	89.5	121.1	125.7	122.9	127.5
17	88.6	93.2	90	94.6	128.6	133.2	130.5	135.1
18	93.6	98.2	95	99.6	136.1	140.7	138.1	142.7
19	98.7	103.1	100.2	104.6	143.7	148.1	145.9	150.3
20	103.7	108.1	105.3	109.7	151.2	155.6	153.5	157.9
21	108.7	113.1	110.4	114.8	158.7	163.1	161.1	165.5
22	113.7	118.1	115.5	119.9	166.2	170.6	168.7	173.1
23	118.7	123.1	120.5	124.9	173.7	178.1	176.3	180.7
24	123.7	128.1	125.6	130	181.2	185.6	184	188.4

Self-tapping screws,  
for 1.8 mm ± 0.1 mm Ø mounting hole

Dimensions	Item No.	PU (SPU)
B 2.2 x 9.5 mm	209-147	200 (100)
B 2.2 x 13 mm	231-194	200 (100)

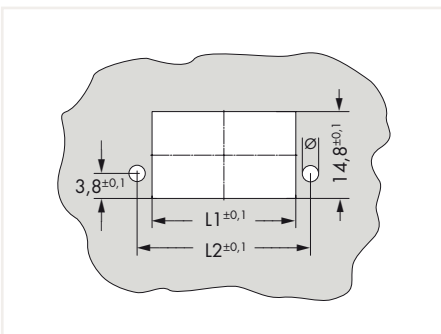
Screws with nuts,  
for 2.5 mm ± 0.1 mm Ø mounting hole

Dimensions	Item No.	PU (SPU)
M 2 x 12 mm	231-195	200 (100)

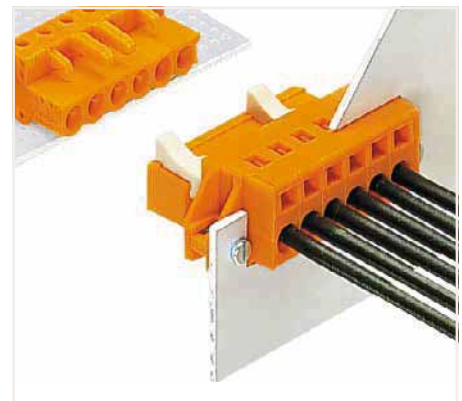
Screws with nuts,  
for 3.0 mm ± 0.1 mm Ø mounting hole

Dimensions	Item No.	PU (SPU)
M 2.5 x 10 mm	231-295	200 (100)

9



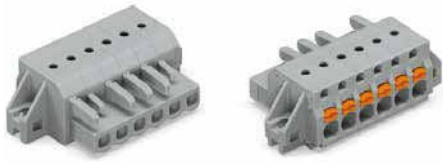
Drilled hole Ø depends on the type of screw used (see mounting screws).



PU = Packaging Unit; SPU = Subpackaging Unit; Dimensions in mm

Additional information on through-panel mounting and cutout dimensions is available upon request.

# Cutout Dimensions MCS MIDI



**Table 2:**  
Cutout for 2721 and 2231 Series Female Connectors with Mounting Flanges

Pole No.	Pin Spacing 5 mm		Pin Spacing 5.08 mm		Pin Spacing 7.5 mm		Pin Spacing 7.62 mm	
	L1	L2	L1	L2	L1	L2	L1	L2
2	13.2	18.4	13.4	18.6	15.7	20.9	15.8	21
3	18.2	23.4	18.4	23.6	23.2	28.4	23.4	28.6
4	23.2	28.4	23.5	28.7	30.7	35.9	31.1	36.3
5	28.2	33.4	28.6	33.8	38.2	43.4	38.7	43.9
6	33.4	38.3	33.9	38.8	45.9	50.8	46.5	51.4
7	38.4	43.3	39	43.9	53.4	58.3	54.1	59
8	43.4	48.3	44	48.9	60.9	65.8	61.7	66.6
9	48.4	53.3	49.1	54	68.4	73.3	69.4	74.3
10	53.4	58.3	54.2	59.1	75.9	80.8	77	81.9
11	58.4	63.3	59.3	64.2	83.4	88.3	84.6	89.5
12	63.4	68.3	64.4	69.3	90.9	95.8	92.2	97.1
13	68.6	73.2	69.6	74.2	98.6	103.2	100	104.6
14	73.6	78.2	74.7	79.3	106.1	110.7	107.7	112.3
15	78.6	83.2	79.8	84.4	113.6	118.2	115.3	119.9
16	83.6	88.2	84.9	89.5	121.1	125.7	122.9	127.5
17	88.6	93.2	90	94.6	128.6	133.2	130.5	135.1
18	93.6	98.2	95	99.6	136.1	140.7	138.1	142.7
19	98.8	103.1	100.3	104.6	143.8	148.1	146	150.3
20	103.8	108.1	105.4	109.7	151.3	155.6	153.6	157.9
21	108.8	113.1	110.5	114.8	158.8	163.1	161.2	165.5
22	113.8	118.1	115.6	119.9	166.3	170.6	168.8	173.1
23	118.8	123.1	120.6	124.9	173.8	178.1	176.4	180.7
24	123.8	128.1	125.7	130	181.3	185.6	184.1	188.4

Self-tapping screws,  
for 1.8 mm ± 0.1 mm Ø mounting hole

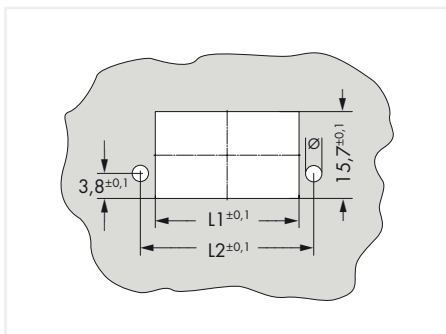
Dimensions	Item No.	PU (SPU)
B 2.2 x 9.5 mm	209-147	200 (100)
B 2.2 x 13 mm	231-194	200 (100)

Screws with nuts,  
for 2.5 mm ± 0.1 mm Ø mounting hole

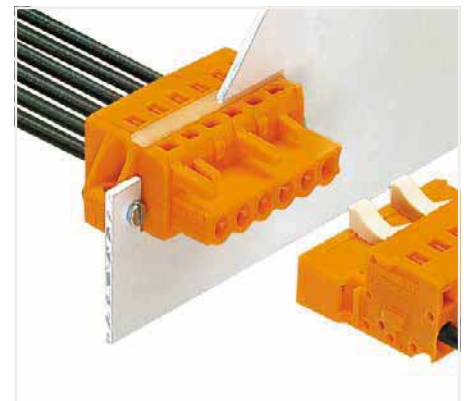
Dimensions	Item No.	PU (SPU)
M 2 x 12 mm	231-195	200 (100)

Screws with nuts,  
for 3.0 mm ± 0.1 mm Ø mounting hole

Dimensions	Item No.	PU (SPU)
M 2.5 x 10 mm	231-295	200 (100)



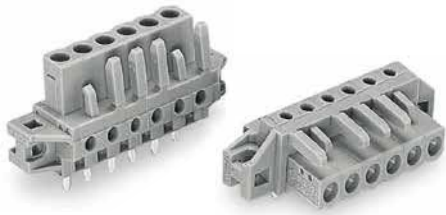
Drilled hole Ø depends on the type of screw used (see mounting screws).



PU = Packaging Unit; SPU = Subpackaging Unit; Dimensions in mm

Additional information on through-panel mounting and cutout dimensions is available upon request.

# Cutout Dimensions MCS MIDI



**Table 3:**  
Cutout for 232 and 722 Series THT Female Headers with Mounting Flanges

Pole No.	Pin Spacing 5 mm		Pin Spacing 5.08 mm		Pin Spacing 7.5 mm		Pin Spacing 7.62 mm	
	L1	L2	L1	L2	L1	L2	L1	L2
2	13.4	18.4	13.6	18.6	15.9	20.9	16	21
3	18.4	23.4	18.6	23.6	23.4	28.4	23.6	28.6
4	23.4	28.4	23.7	28.7	30.9	35.9	31.3	36.3
5	28.4	33.4	28.8	33.8	38.4	43.4	38.9	43.9
6	33.5	38.3	34	38.8	46	50.8	46.6	51.4
7	38.5	43.3	39.1	43.9	53.5	58.3	54.2	59
8	43.5	48.3	44.1	48.9	61	65.8	61.8	66.6
9	48.5	53.3	49.2	54	68.5	73.3	69.5	74.3
10	53.5	58.3	54.3	59.1	76	80.8	77.1	81.9
11	58.5	63.3	59.4	64.2	83.5	88.3	84.7	89.5
12	63.5	68.3	64.5	69.3	91	95.8	92.3	97.1
13	68.6	73.2	69.6	74.2	98.6	103.2	100	104.6
14	73.6	78.2	74.7	79.3	106.1	110.7	107.7	112.3
15	78.6	83.2	79.8	84.4	113.6	118.2	115.3	119.9
16	83.6	88.2	84.9	89.5	121.1	125.7	122.9	127.5
17	88.6	93.2	90	94.6	128.6	133.2	130.5	135.1
18	93.6	98.2	95	99.6	136.1	140.7	138.1	142.7
19	98.7	103.1	100.2	104.6	143.7	148.1	145.9	150.3
20	103.7	108.1	105.3	109.7	151.2	155.6	153.5	157.9
21	108.7	113.1	110.4	114.8	158.7	163.1	161.1	165.5
22	113.7	118.1	115.5	119.9	166.2	170.6	168.7	173.1
23	118.7	123.1	120.5	124.9	173.7	178.1	176.3	180.7
24	123.7	128.1	125.6	130	181.2	185.6	184	188.4

Self-tapping screws,  
for 1.8 mm ± 0.1 mm Ø mounting hole

Dimensions	Item No.	PU (SPU)
B 2.2 x 9,5 mm	209-147	200 (100)
B 2.2 x 13 mm	231-194	200 (100)

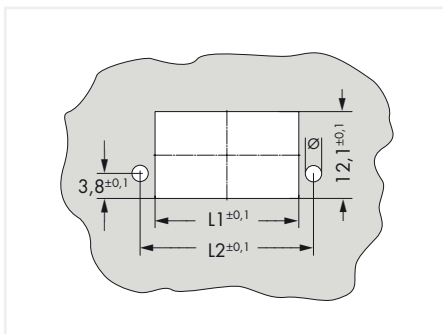
Screws with nuts,  
for 2.5 mm ± 0.1 mm Ø mounting hole

Dimensions	Item No.	PU (SPU)
M 2 x 12 mm	231-195	200 (100)

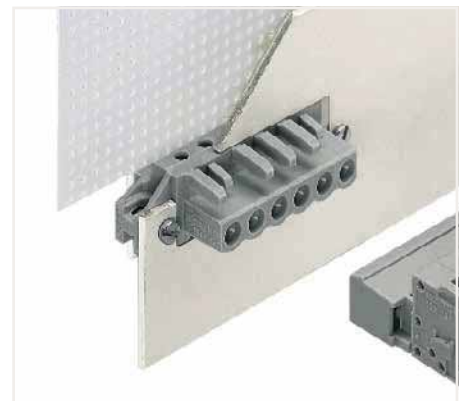
Screws with nuts,  
for 3.0 mm ± 0.1 mm Ø mounting hole

Dimensions	Item No.	PU (SPU)
M 2.5 x 10 mm	231-295	200 (100)

9



Drilled hole Ø depends on the type of screw used (see mounting screws).

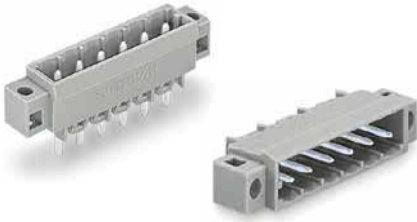


PU = Packaging Unit; SPU = Subpackaging Unit; Dimensions in mm

Additional information on through-panel mounting and cutout dimensions is available upon request.



# Cutout Dimensions MCS MIDI



**Table 4:**  
Cutout for 231 Series THT Male Headers with Mounting Flanges

Pole No.	Pin Spacing 5 mm			Pin Spacing 7,5 mm		
	L1	L2	L3	L1	L2	L3
2	13.6	8.9	9.5	16.1	10.6	10.8
3	18.6	11.4	12	23.6	14.3	14.5
4	23.6	13.9	14.5	31.1	18.1	18.3
5	28.6	16.4	17	38.6	21.8	22
6	33.8	19	19.6	46.3	25.7	25.9
7	38.8	21.5	22.1	53.8	29.4	29.6
8	43.8	24	24.6	61.3	33.2	33.4
9	48.8	26.5	27.1	68.8	36.9	37.1
10	53.8	29	29.6	76.3	40.7	40.9
11	58.8	31.5	32.1	83.8	44.4	44.6
12	63.8	34	34.6	91.3	48.2	48.4
13	69	36.6	37.2	99	52	52.2
14	74	39.1	39.7	106.5	55.8	56
15	79	41.6	42.2	114	59.5	59.7
16	84	44.1	44.7	121.5	63.3	63.5
17	89	46.6	47.2	129	67	67.2
18	94	49.1	49.7	136.5	70.8	71
19	99.2	51.7	52.3	144.2	74.6	74.8
20	104.2	54.2	54.8	151.7	78.4	78.6
21	109.2	56.7	57.3	159.2	82.1	82.3
22	114.2	59.2	59.8	166.7	85.9	86.1
23	119.2	61.7	62.3	174.2	89.6	89.8
24	124.2	64.2	64.8	181.7	93.4	93.6

Self-tapping screws,  
for 1.8 mm ± 0.1 mm Ø mounting hole

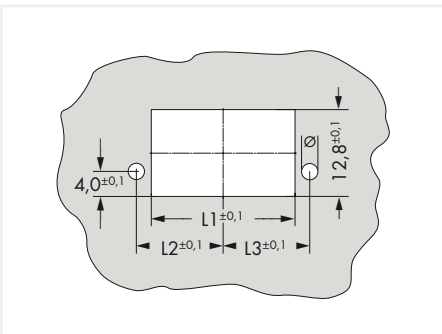
Dimensions	Item No.	PU (SPU)
B 2.2 x 9.5 mm	209-147	200 (100)
B 2.2 x 13 mm	231-194	200 (100)

Screws with nuts,  
for 2.5 mm ± 0.1 mm Ø mounting hole

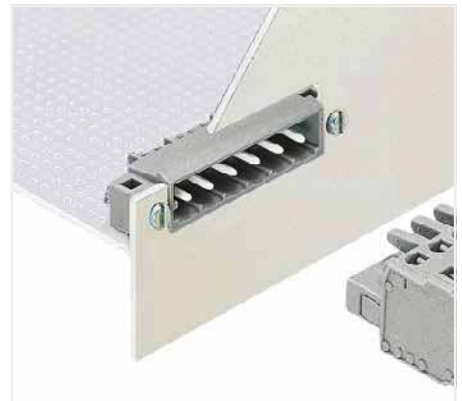
Dimensions	Item No.	PU (SPU)
M 2 x 12 mm	231-195	200 (100)

Screws with nuts,  
for 3.0 mm ± 0.1 mm Ø mounting hole

Dimensions	Item No.	PU (SPU)
M 2.5 x 10 mm	231-295	200 (100)



Drilled hole Ø depends on the type of screw used (see mounting screws).



PU = Packaging Unit; SPU = Subpackaging Unit; Dimensions in mm

Additional information on through-panel mounting and cutout dimensions is available upon request.

## Operating Tools MCS MIDI



Operating lever; for male and female connectors equipped with CAGE CLAMP® connection; 5/5.08 mm and 7.5/7.62 mm pin spacing

Color	Item No.	PU (SPU)
○ natural	231-131	100 (25)
● rot	231-291	100 (25)

Operating tool; for male and female connectors equipped with CAGE CLAMP® connection; 5/5.08 mm and 7.5/7.62 mm pin spacing

Color	Item No.	PU (SPU)
○ natural	231-159	100 (25)
● rot	231-231	100 (25)

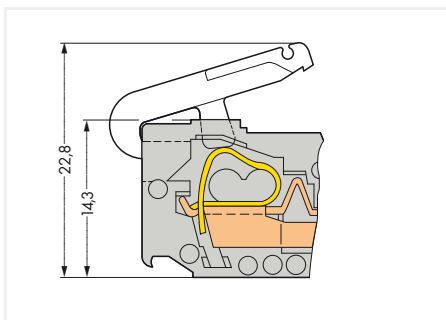


Inserting a conductor via operating lever.

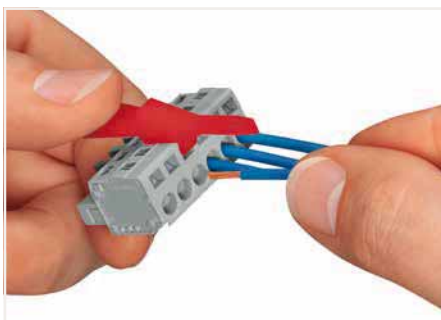


Conductor termination parallel to CAGE CLAMP® actuation

9



Operating levers are not suitable for panel-mount, angled female connectors.



Conductor termination perpendicular to CAGE CLAMP® actuation

## Operating Tools and Test Plug Adapters MCS MIDI



Multipole operating tool; insulated; operation parallel to conductor entry; suitable for male and female connectors with CAGE CLAMP®; 5/5.08 mm pin spacing

	Item No.	PU (SPU)
1-pole	209-130	100 (1)
2-pole	280-432	100 (1)
3-pole	280-433	100 (1)
4-pole	280-434	40 (1)
5-pole	280-435	40 (1)
6-pole	280-436	40 (1)
7-pole	280-437	30 (1)
8-pole	280-438	30 (1)
9-pole	280-439	30 (1)
10-pole	280-440	30 (1)

Operating tool; insulated; operation perpendicular to conductor entry; suitable for male and female connectors with CAGE CLAMP®; 5/5.08 mm pin spacing

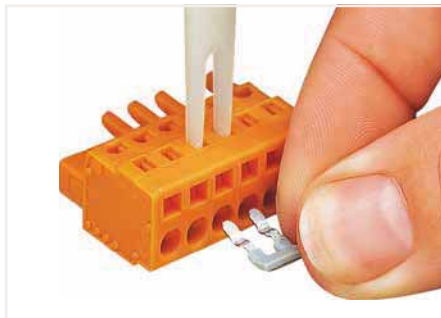
	Item No.	PU (SPU)
2-pole	209-132	40 (1)

Test plug adapter; for female connectors; light gray

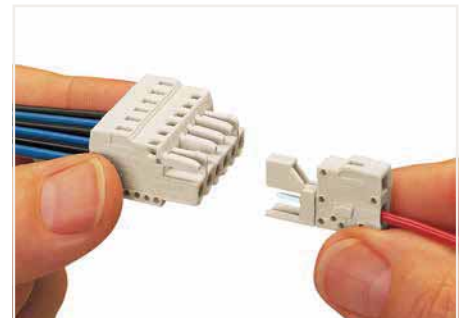
Pin Spacing	Item No.	PU
5/5.08 mm	231-661	100
7.5/7.62 mm	231-662	100



Inserting male or female connectors with long contact pins into 280 Series Rail-Mount Terminal Blocks via multipole operating tool (max. 10-pole for field assembly). Using CAGE CLAMP®-equipped male and female connectors (5/5.08 mm pin spacing), this operating tool allows up to ten CAGE CLAMP® units to be opened simultaneously, e.g., when inserting 231-90x Comb-Style Jumper Bars. Wiring male or female connectors should be performed in a suitable mount.



Operating tool for 231-90x Comb-Style Jumper Bars



Test plug adapter with CAGE CLAMP® connection

### Electrical Data

Ratings per	IEC/EN 60664-1
Overvoltage category	III
Pollution degree	2
Rated voltage	320 V
Rated surge voltage	4 kV
Rated current	12 A

### Connection Data

Connection technology	CAGE CLAMP®
Strip length	8 ... 9 mm / 0.33 inch
Solid conductor	0.08 ... 2.5 mm <sup>2</sup> / 28 ... 12 AWG
Fine-stranded conductor	0.08 ... 2.5 mm <sup>2</sup> / 28 ... 12 AWG

PU = Packaging Unit; SPU = Subpackaging Unit; Dimensions in mm

# Coding Keys MCS MIDI

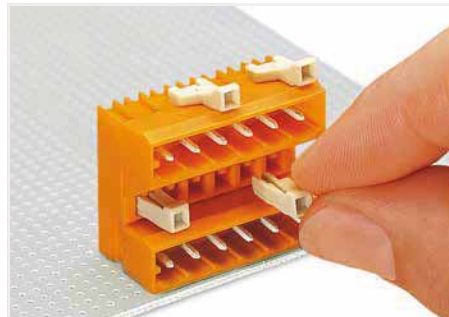
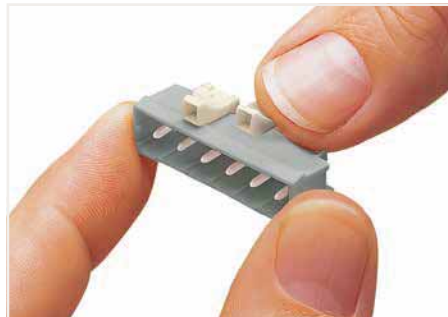
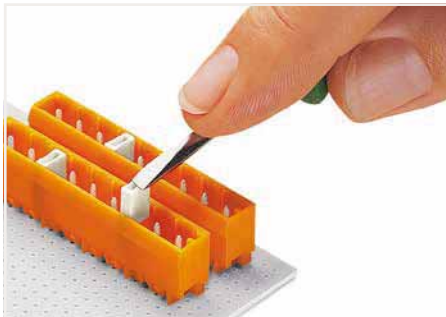


Coding key; for male headers		
Color	Item No.	PU (SPU)
○ light gray	231-500	200 (100)

Coding key; for male headers; 5/5.08 mm pin spacing		
Color	Item No.	PU
○ light gray	231-129	100

Coding pin; for male headers for double-deck assembly; snaps into lower level		
Color	Item No.	PU
○ light gray	231-160	100

Coding key; for male headers; 7.5/7.62 mm pin spacing		
Color	Item No.	PU
○ light gray	231-130	100



9

Inserting separators for group formation directly into MCS MIDI Classic Male Headers. Group formation using separators means that pole count is reduced by at least one pole. Female connectors with integrated end plates and 5/5.08 mm pin spacing are available for group formation without loss of poles. Group formation without loss of poles is possible using standard female connectors (7.5/7.62 mm pin spacing) without separators.

Snap-on coding key for male headers with solder pins and CAGE CLAMP®-equipped male connectors. The last pole of male and female connectors with 7.5 mm pin spacing has a width of 5 mm; for 7.62 mm pin spacing, the pole width is 5.08 mm. Always use a 231-129 Coding Key for coding this pole.

Coding a THT double-deck male header – lower level.

## Lockout Caps; Insulation Stops and Locking Devices MCS MIDI



Lockout caps; for male and female connectors equipped with CAGE CLAMP® connection

Color	Item No.	PU (SPU)
○ gray	231-668	500 (100)
● orange	231-669	500 (100)

Insulation stop; for male and female connectors equipped with CAGE CLAMP® or Push-in CAGE CLAMP® connection; 5/5.08 mm pin spacing

Color	Conductor Size	Item No.	PU
white	0.08 ... 0.2 mm <sup>2</sup> "s"	231-670	200
	0.08 ... 0.14 mm <sup>2</sup> "f-st"		
light gray	0.25 ... 0.5 mm <sup>2</sup>	231-671	200
dark gray	0.27 ... 1 mm <sup>2</sup>	231-672	200

Locking devices; for angled THT male headers with solder pins

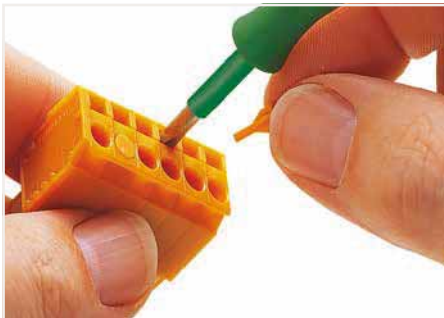
Color	Item No.	PU
○ gray	231-193	100
● orange	231-393	100

7.5/7.62 mm pin spacing

Color	Conductor Size	Item No.	PU
white	0.08 ... 0.2 mm <sup>2</sup> "e"	231-673	200
	0.08 ... 0.14 mm <sup>2</sup> "f-st"		
light gray	0.25 ... 0.5 mm <sup>2</sup>	231-674	200
dark gray	0.27 ... 1 mm <sup>2</sup>	231-675	200

Screws for locking devices

Type	Item No.	PU
Screw with nut		
M2 x 12 mm	231-195	100
Self-tapping screw; 1.8 mm Ø mounting hole		
B 2.2 x 13 mm	231-194	100



Sealing unnecessary clamping points in CAGE CLAMP®-equipped male and female connectors (e.g., when doubling the pin spacing to meet clearance and creepage distance requirements, or when higher rated voltage is required). Lockout pins are not suitable for panel-mount, angled female connectors.



The wiring of programmable logic controllers and micro-processor-operated control circuits often relies on very small, fine-stranded conductors. These conductors are highly flexible and deform when pushed against the conductor stop in terminal blocks. As a result, the conductor insulation – not the copper conductor – may be clamped, causing intermittent contact or no contact at all. Common to all terminal block types currently offered, this problem creates unnecessary downtime for troubleshooting.

Insulation stops for connectors reliably ensure proper termination. Insulation stops automatically bundle the cores of fine-stranded conductors when inserted into the clamping unit, preventing splaying. This also limits the conductor entry to a defined cross sectional area – ensuring the actual conductor, not the insulation, will enter the clamping unit

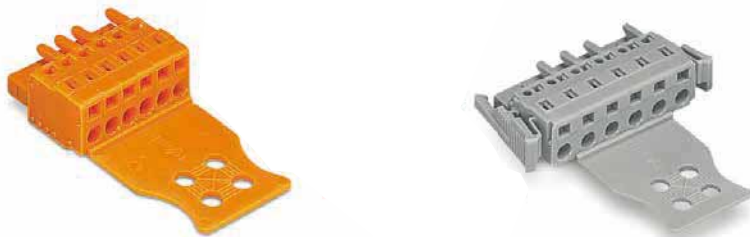
Insulation stops are available as dividable 5-pole strips for MCS MIDI Male and Female Connectors. Insulation stop usage will not affect the conductor strip lengths for the aforementioned connectors.

Insulation stops are not suitable for panel-mount female connectors.



Locking devices enhance connection reliability between male headers with angled solder pins and the PCB. This substantially reduces mechanical stress on both solder pins and joints, particularly when dealing with small lengths and frequent mating cycles.

## Strain Relief Plate; Factory assembled; for Male and Female Connectors with CAGE CLAMP® Connection MCS MIDI

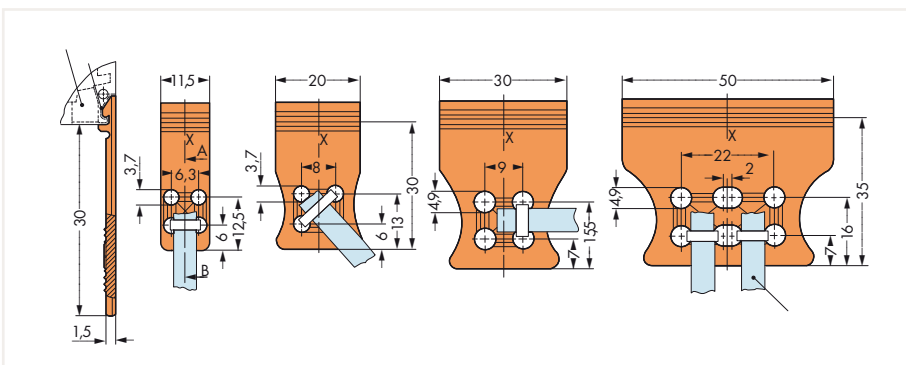


Pin spacing 5/5.08 mm; orange

Pole No.	Width	Item No. Suffix*
2 ... 3	11.5 mm	.../032-000
4 ... 5	20 mm	.../033-000
6 ... 9	30 mm	.../034-000
10 ... 24	50 mm	.../035-000

Pin spacing 7.5/7.62 mm; gray

Pole No.	Width	Item-No. Suffix*
2 ... 3	11.5 mm	.../032-000
4 ... 5	20 mm	.../033-000
6 ... 9	30 mm	.../034-000
10 ... 24	50 mm	.../035-000



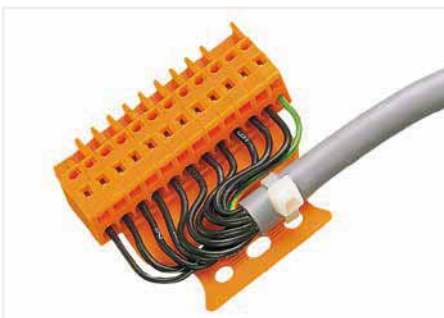
9

Both CAGE CLAMP®-equipped male and female connectors can be fitted with a strain relief plate. The strain relief plates must be pre-assembled (glued) prior to delivery for connector models equipped with CAGE CLAMP® connection. These strain relief plates are available in four different widths and are allocated to the specific pin spacing and pole number (as shown above). Angled female connectors for panel mounting cannot be fitted with strain relief plates.

\*An "item no. suffix," referring to the width of the strain relief plate, is added to the "basic item no.," and determines the type of male or female connector.

Cable ties and binding tools are not offered by WAGO.

The width of the cable ties must correspond to the hole dimensions of the strain relief plates shown above.



Ordering example:  
1-conductor female connector,  
with strain relief plate,  
5.08 mm pin spacing, 12-pole, orange:  
231-312/026-000/035-000



Ordering example:  
1-conductor female connector,  
with strain relief plate,  
5 mm pin spacing, 3-pole, gray:  
231-103/026-000/032-000



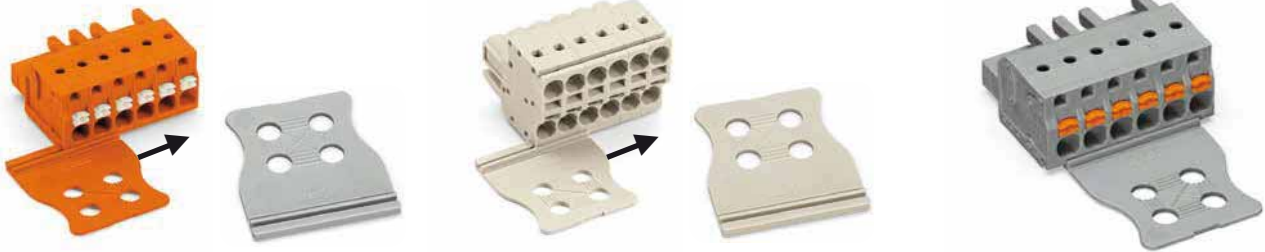
Gray strain relief plates are used for light gray 721, 722 and 723 Series Male and Female Connectors equipped with CAGE CLAMP® connection.

# Strain Relief Plate; for Male and Female Connectors with Push-in CAGE CLAMP® Connection; 2721, 2231 Series and 2-conductor 231, 721 Series MCS MIDI

For inserting; 5/5.08 mm pin spacing

For inserting; 7.5/7.62 mm pin spacing

Factory assembled



**Light gray**

Pole No.	Width	Item No.	PU (SPU)
2	6 mm	734-127	100 (25)
3 ... 4	12.5 mm	734-128	100 (25)
5 ... 7	25 mm	734-129	100 (25)
8 ... 11	35 mm	734-126	100 (25)
12 ... 16	55 mm	734-426	50 (25)
17 ... 24	75 mm	734-427	50 (25)

**Light gray**

Pole No.	Width	Item No.	PU (SPU)
2	6 mm	734-127	100 (25)
2 ... 3	12.5 mm	734-128	100 (25)
4 ... 6	25 mm	734-129	100 (25)
7 ... 9	35 mm	734-126	100 (25)
10 ... 12	55 mm	734-426	50 (25)
13 ... 16	75 mm	734-427	50 (25)

**Pin spacing 5/5.08 mm and 7.5/7.62 mm**

Pole No.	Width	Item No. Suffix
2	6 mm	.../132-000
2 ... 3	12.5 mm	.../133-000
4 ... 6	25 mm	.../134-000
7 ... 9	35 mm	.../135-000
10 ... 12	55 mm	.../136-000
13 ... 16	75 mm	.../137-000

**Gray**

Pole No.	Width	Item No.	PU (SPU)
2	6 mm	734-327	100 (25)
3 ... 4	12.5 mm	734-328	100 (25)
5 ... 7	25 mm	734-329	100 (25)
8 ... 11	35 mm	734-326	100 (25)
12 ... 16	55 mm	734-430	50 (25)
17 ... 24	75 mm	734-431	50 (25)

**Gray**

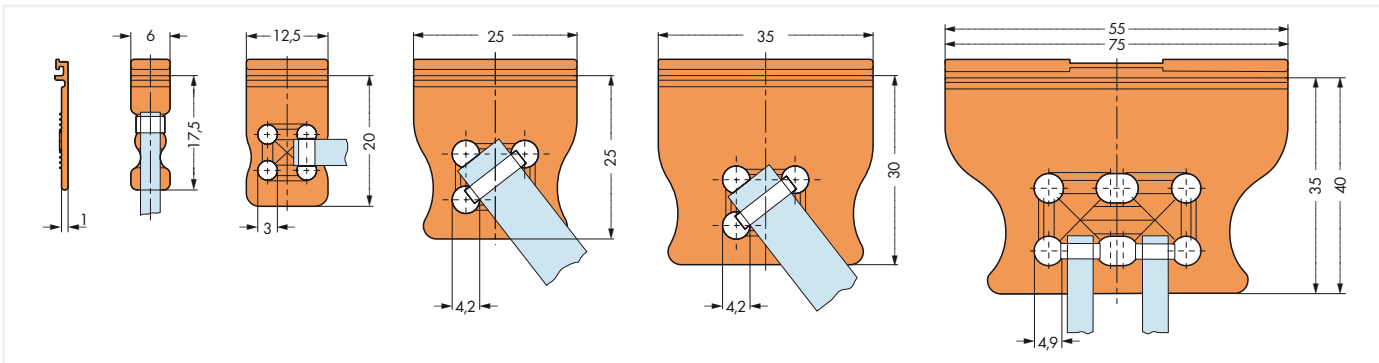
Pole No.	Width	Item No.	PU (SPU)
2	6 mm	734-327	100 (25)
2 ... 3	12.5 mm	734-328	100 (25)
4 ... 6	25 mm	734-329	100 (25)
7 ... 9	35 mm	734-326	100 (25)
10 ... 12	55 mm	734-430	50 (25)
13 ... 16	75 mm	734-431	50 (25)

**Orange**

Pole No.	Width	Item No.	PU (SPU)
2	6 mm	734-227	100 (25)
3 ... 4	12.5 mm	734-228	100 (25)
5 ... 7	25 mm	734-229	100 (25)
8 ... 11	35 mm	734-226	100 (25)
12 ... 16	55 mm	734-428	50 (25)
17 ... 24	75 mm	734-429	50 (25)

**Orange**

Pole No.	Width	Item No.	PU (SPU)
2	6 mm	734-227	100 (25)
2 ... 3	12.5 mm	734-228	100 (25)
4 ... 6	25 mm	734-229	100 (25)
7 ... 9	35 mm	734-226	100 (25)
10 ... 12	55 mm	734-428	50 (25)
13 ... 16	75 mm	734-429	50 (25)



Female connectors with Push-in CAGE CLAMP® can be retrofitted with a strain relief plate or pre-assembled with one at the factory. These strain relief plates are available in six different widths and are allocated to the specific pin spacing and pole number (as shown left). The arrangement of the attachments for cable ties allows single conductors or multi-core cables to be secured in different ways.

\*An "item no. suffix," referring to the width of the strain relief plate, is added to the "basic item no." and determines the type of male or female connector.

Cable ties and binding tools are not offered by WAGO. The width of the cable ties must correspond to the hole dimensions of the strain relief plates shown above.

PU = Packaging Unit; SPU = Subpackaging Unit; Dimensions in mm

# Snap-On Type Strain Relief Housing; consisting of Strain Relief Support and Housing MCS MIDI



Pin spacing 5 mm; gray		
Pole No.	Item No.	PU
2	232-602	25
3	232-603	25
4	232-604	25
5	232-605	25
6	232-606	25
7	232-607	25
8	232-608	25
9	232-609	25
10	232-610	25
12	232-612	25

Pin spacing 5.08 mm; orange		
Pole No.	Item No.	PU
2	232-632	25
3	232-633	25
4	232-634	25
5	232-635	25
6	232-636	25
7	232-637	25
8	232-638	25
9	232-639	25
10	232-640	25
12	232-642	25
16	232-646	25

Cable clamp; for strain relief		
Pole No.	Item No.	PU
4 ... 6	209-177	25
7 ... 16	209-174	25

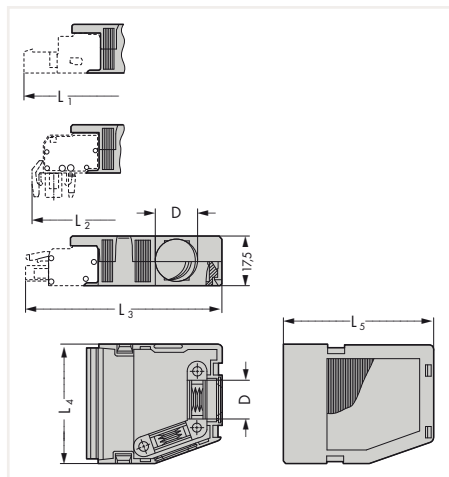


Mounting screws; for cable clamp		
Pole No.	Item No.	PU
4 ... 6	209-176	50
7 ... 16	209-173	50

- 2- to 3-pole; only suitable for cable ties; 1 cable outlet (rear side); max. 3.6 mm cable tie width
- 4- to 6-pole; suitable for cable clamp; 1 x cable outlet (rear side)
- 7- to 8-pole; suitable for cable clamp; 1 x cable outlet (rear side) and 1 x cable outlet (side); 1 cover (included)
- 9- to 16-pole; suitable for cable clamp; 1 x cable outlet (rear side) and 2 x cable outlets (side); 2 covers (included)

Cable ties and binding tools are not offered by WAGO.

9



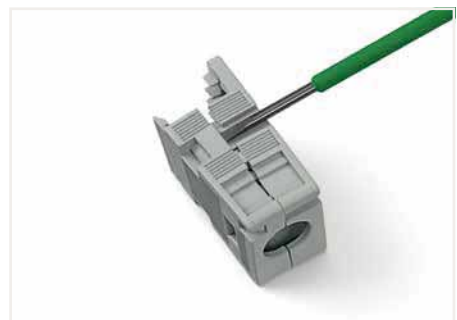
Strain Relief Housing Dimensions (in mm):							
Pole No.	L <sub>4</sub> (5 mm)	L <sub>4</sub> (5.08 mm)	L <sub>1</sub>	L <sub>2</sub>	L <sub>3</sub>	L <sub>5</sub>	Cable Ø (max.)
2	13	13	59	55.5	58	41.5	6
3	18	18	59	55.5	58	41.5	7.5
4	23	23	59	55.5	58	41.5	9.5
5	28	28	59	55.5	58	41.5	9.5
6	33	33	59	55.5	58	41.5	9.5
7	38	38	71.5	68	70.5	54	14
8	43	43	71.5	68	70.5	54	14
9	48	48.7	71.5	68	70.5	54	14
10	53	53.8	71.5	68	70.5	54	14
12	63	64	71.5	68	70.5	54	14
16	85	85	71.5	68	70.5	54	14



Snapping a cover into the unused cable outlet.



Snapping on a strain relief housing, demonstrated with a female connector with locking levers. Cable exits laterally – strain relief by cable tie (up to a width of 4 mm).

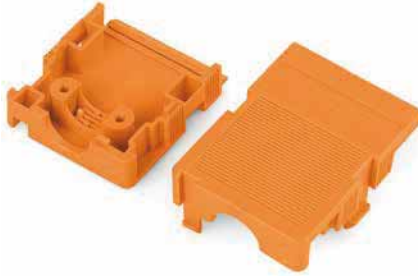
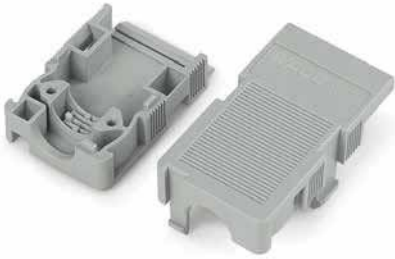


Disassembling a strain relief housing is only possible using an operating tool (e.g., 210-719).

PU = Packaging Unit; SPU = Subpackaging Unit; Dimensions in mm



# Snap-On Type Strain Relief Housing; consisting of Strain Relief Support and Housing MCS MIDI



Pin spacing 7.5 mm; light gray		
Pole No.	Item No.	PU
2	232-662	25
3	232-663	25
4	232-664	25
5	232-665	25
7	232-667	25
10	232-670	25

Pin spacing 7.62 mm; orange		
Pole No.	Item No.	PU
2	232-682	25
3	232-683	25
4	232-684	25
5	232-685	25
7	232-687	25

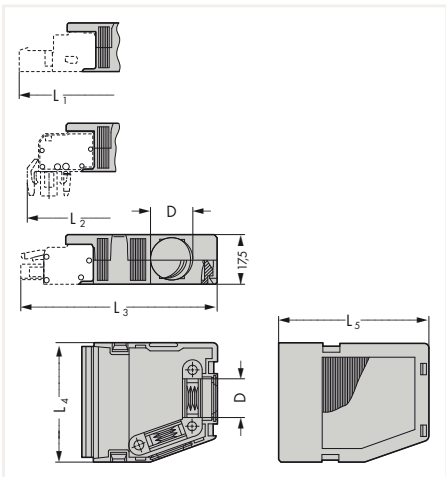
Cable clamp; for strain relief		
Pole No.	Item No.	PU
4 ... 6	209-177	25
7 ... 16	209-174	25



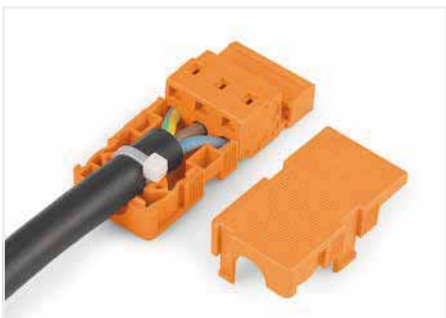
Mounting screws; for cable clamp		
Pole No.	Item No.	PU
4 ... 6	209-176	50
7 ... 16	209-173	50

- 2-pole; only suitable for cable ties; 1 cable outlet (rear side), max. cable tie width 3.6 mm;
- 3- to 4-pole; suitable for cable clamp; 1 x cable outlet (rear side);
- 5-pole; suitable for cable clamp; 1 x cable outlet (rear side) and 1 x cable outlets (side); 1 cover (included)
- 7-pole; suitable for cable clamp; 1 x cable outlet (rear side) and 2 x cable outlets (side); 2 covers (included)

Cable ties and binding tools are not offered by WAGO.



Strain Relief Housing Dimensions (in mm):							
Pole No.	L <sub>4</sub> (5 mm)	L <sub>4</sub> (5.08 mm)	L <sub>1</sub>	L <sub>2</sub>	L <sub>3</sub>	L <sub>5</sub>	Cable Ø (max.)
2	15.5	15.5	59	55.5	58	41.5	6
3	23	23	59	55.5	58	41.5	9.5
4	30.5	30.5	59	55.5	58	41.5	9.5
5	38	38	71.5	68	70.5	54	14
7	53	53.8	71.5	68	70.5	54	14



3-pole female connector with strain relief housing



4-pole male connector with strain relief housing



Gray strain relief plates are used for light gray 721, 722 and 723 Series Male and Female Connectors equipped with CAGE CLAMP® connection.

PU = Packaging Unit; SPU = Subpackaging Unit; Dimensions in mm

# Mounting Adapters MCS MIDI



Mounting adapter for DIN-35 rail; for male and female connectors with snap-in mounting feet

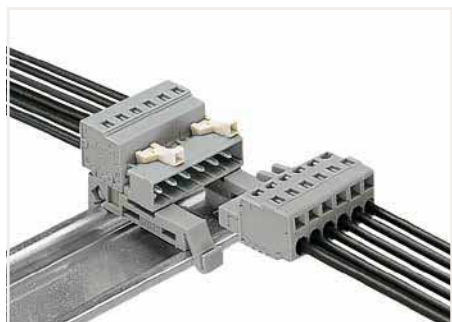
Color	Item No.	PU
○ gray	209-137	25

Multi mounting adapter; for DIN-35 rail, for male and female connectors with snap-in mounting feet

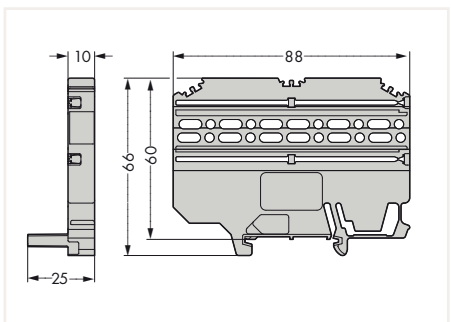
Color	Item No.	PU
○ gray	209-148	25

Mounting adapter; for DIN-35 rail; for angled female connectors with snap-in feet for panel mounting

Color	Item No.	PU (SPU)
○ gray	209-120	500(25)



Female connector with snap-in mounting feet and 209-189 Mounting Adapter on DIN-35 rail



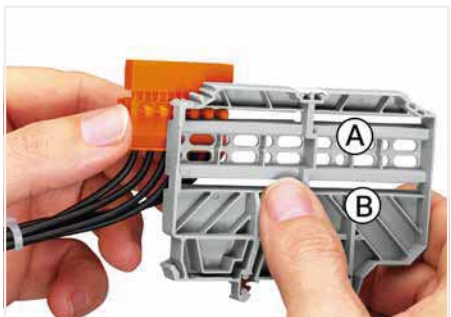
Multi mounting adapter (209-120) on DIN-35 rail and angled female connector with snap-in feet for panel mounting



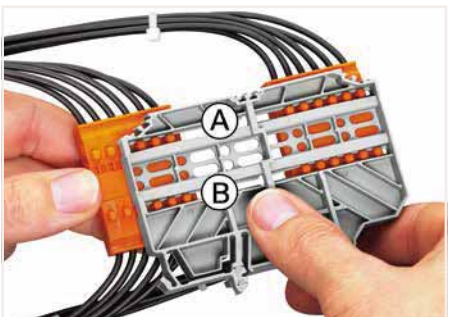
The pluggable male or female connector can also be fitted with a strain relief plate.



The adapter can be marked either with WSB, Mini-WSB or WMB markers.



Both male and female connectors remain pluggable when they are mounted on the multi mounting adapter via its oblong holes or open grooves (A/B).

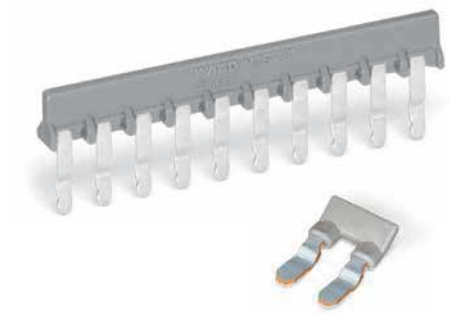


If a connector is pushed from the side into the open grooves (A/B) of the multi mounting adapter, the plug connection will be reliably protected from unintentional disconnection when mounted.

PU = Packaging Unit; SPU = Subpackaging Unit; Dimensions in mm

# Comb-Style Jumper Bars

## MCS MIDI



Comb-style jumper bar; for male and female connectors with CAGE CLAMP®; with CAGE CLAMP®; 5/5.08 mm pin spacing

	Item No.	PU (SPU)
2-pole	231-902	200 (25)
3-pole	231-903	200 (25)
5-pole	231-905	100 (25)
7-pole	231-907	100 (25)
10-pole	231-910	100 (25)

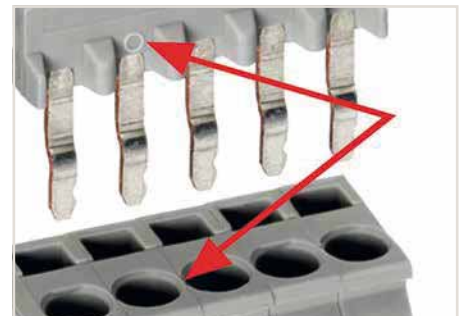
Electrical Data	
Ratings per	IEC/EN 60664-1
Overvoltage category	III
Pollution degree	2
Rated voltage	320 V
Rated surge voltage	4 kV
Rated current	12 A (2-pole) 16 A (3... 7-pole)

Notice:  
Not suitable for female connectors equipped with Push-in CAGE CLAMP® connection and angled, panel-mount female connectors.

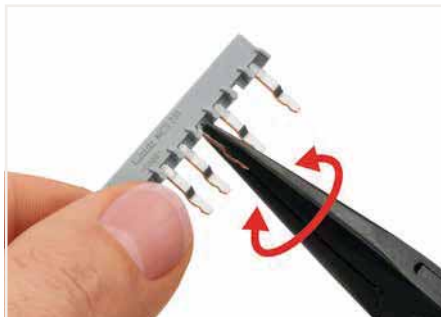
Comb-style jumper bar reduces maximum conductor cross-section to 1.5 mm².



Notice:  
Insert jumper bar according to direction of symbols.  
□ symbol correlates to the direction of the operating slot.



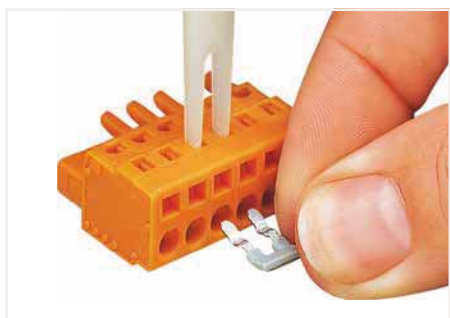
Notice:  
Insert jumper bar according to direction of symbols.  
○ symbol correlates to the direction of the conductor entry.



Custom comb-style jumper bars are created by breaking off jumper contacts (3 contacts and more).



Inserting a comb-style jumper bar via multipole operating tool – with the female or male connector being supported in a suitable holding device.



Commoning a female connector with 231-902 Comb-Style Jumper Bar via 2-pole operating tool.



Both male and female connectors can be pre-assembled with comb-style jumper bars upon request.

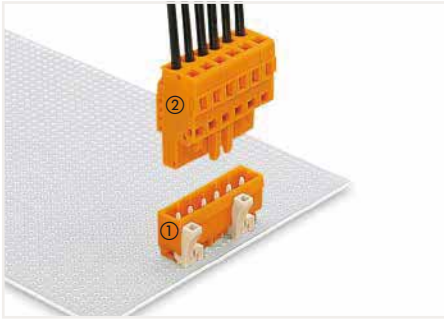


Notice: Comb-style jumper bars reduce the conductor cross-section to 1.5 mm² "s" + "f-st."

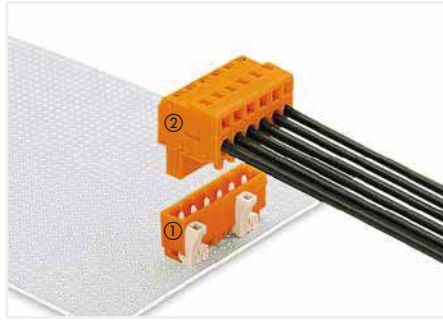
# Application Examples

## PCB Connectors and Headers

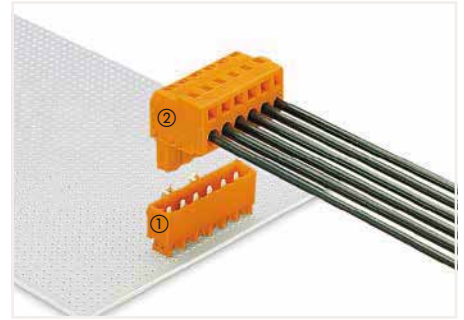
### MCS MIDI Classic



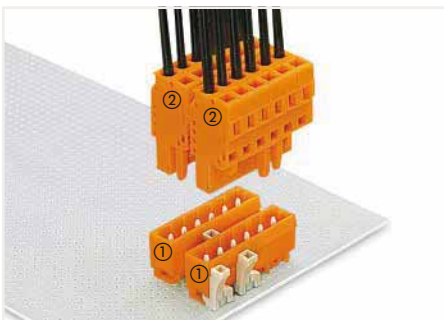
①\*Male header with straight solder pins  
②\*Female connector with CAGE CLAMP®



①\*Male header with straight solder pins  
②\*Angled female connector, conductor entry same direction as latches

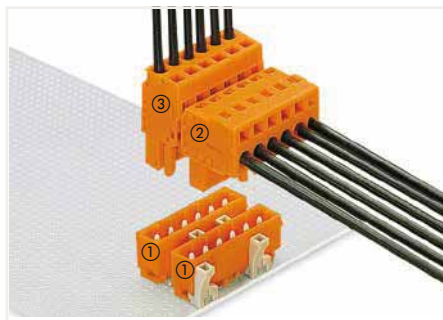


① Male header with straight solder pins  
② Angled female connector, conductor entry opposite of latches



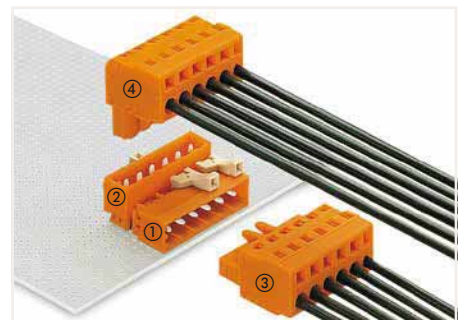
①\*Male headers with straight solder pins\*\*  
②\*Female connectors with CAGE CLAMP®

\*\*Rear male header must be coded prior to soldering!



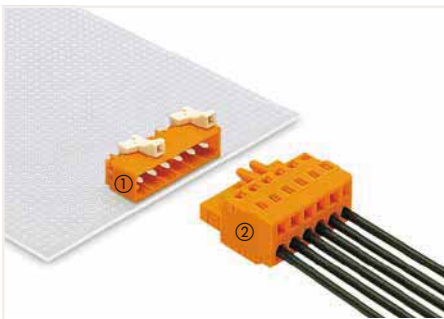
①\*Male headers with straight solder pins\*\*  
②\*Angled female connector, conductor entry same direction as latches  
③\*Female connector with CAGE CLAMP®

\*\*Rear male header must be coded prior to soldering!

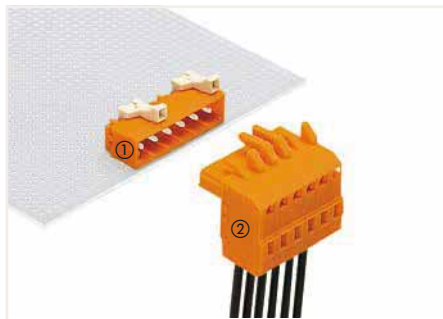


① Male header with angled solder pins  
② Male header with straight solder pins  
③ Female connector with CAGE CLAMP®  
④ Angled female connector, conductor entry opposite of latches

9



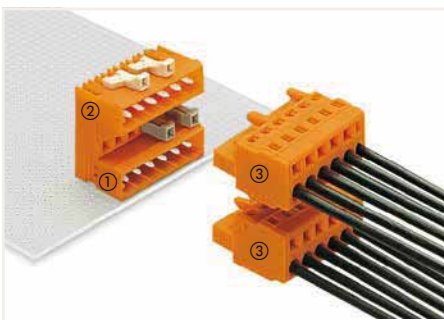
①\*Male header with angled solder pins  
②\*Female connector with CAGE CLAMP®



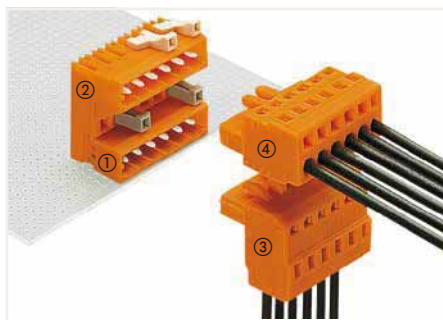
① Male header with angled solder pins  
② Angled female connector, conductor entry opposite of latches



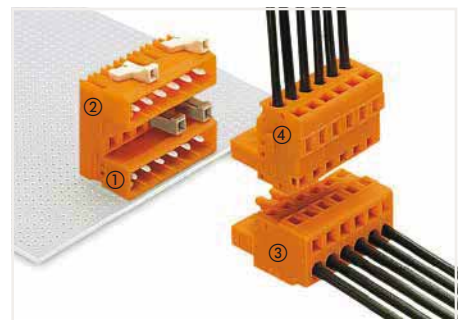
①\*Male header with angled solder pins  
②\*Angled female connector, conductor entry same direction as latches



① Male header with angled solder pins  
② Male header for double-deck assembly  
③ Female connectors with CAGE CLAMP®



① Male header with angled solder pins  
② Male header for double-deck assembly  
③ Angled female connector, conductor entry opposite of latches  
④ Female connector with CAGE CLAMP®



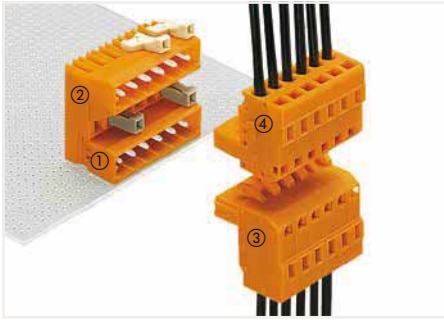
① Male header with angled solder pins  
② Male header for double-deck assembly  
③ Female connector with CAGE CLAMP®  
④ Angled female connector, conductor entry same direction as latches

\*also available in version "100 % protected against mismatching" (see Section 5)

# Application Examples

## PCB Connectors and Headers

### MCS MIDI Classic

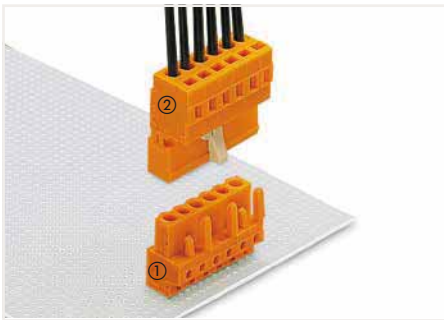


- ① Male header with angled solder pins
- ② Male header for double-deck assembly
- ③ Angled female connector, conductor entry opposite of latches
- ④ Angled female connector, conductor entry same direction as latches

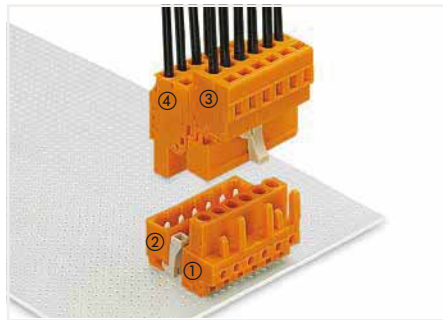
Angled female connectors are available with conductor entries in the same direction as latches, or opposite of latches. This allows different conductor entry directions with the same mounting direction of the male headers. Angled female connectors with conductor entry opposite of latches are not available in versions that are 100 % protected against mismatching. Male headers and female connectors allow touch-proof supply to the PCB. Female headers and male connectors equipped with CAGE CLAMP® allow touch-proof supply from the PCB. These combinations can also be used for coding different circuits.



Female connectors with strain relief plate

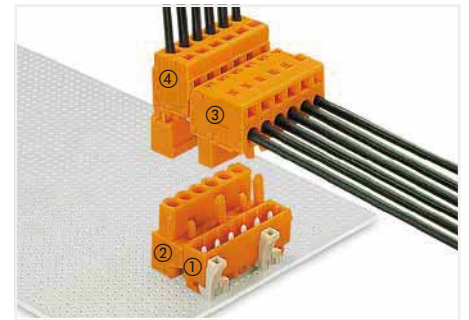


- ①\*Female connector with straight solder pins
- ②\*Male connector with CAGE CLAMP®

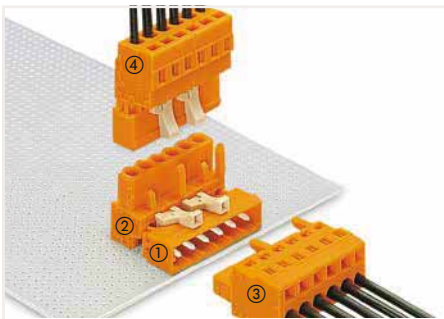


- ①\*Female connector with straight solder pins
- ②\*Male header with straight solder pins\*\*
- ③\*Male connector with CAGE CLAMP®
- ④\*Female connector with CAGE CLAMP®

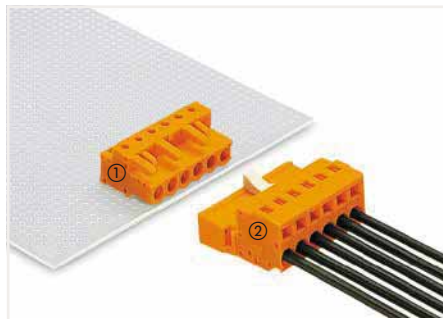
\*\*Male header must be coded prior to soldering!



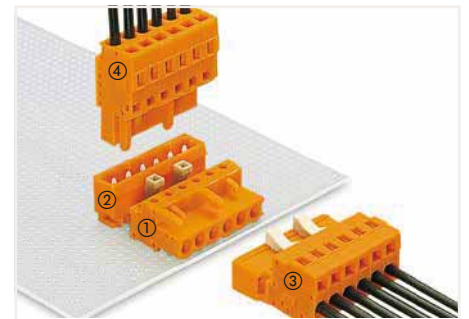
- ①\*Male header with straight solder pins
- ②\*Female header with straight solder pins
- ③\*Angled female connector, conductor entry same direction as latches
- ④\*Male connector with CAGE CLAMP®



- ①\*Male header with angled solder pins
- ②\*Female header with straight solder pins
- ③\*Female connector with CAGE CLAMP®
- ④\*Male connector with CAGE CLAMP®

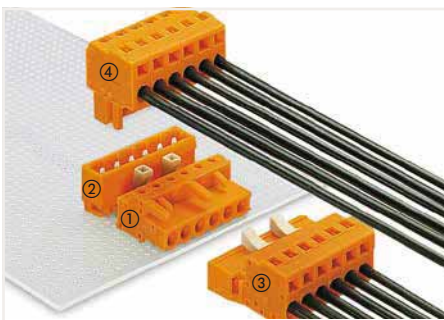


- ①\*Female header with angled solder pins
- ②\*Male connector with CAGE CLAMP®

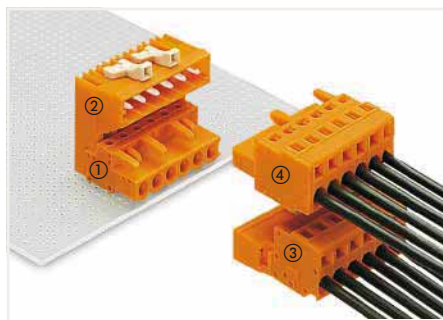


- ①\*Female header with angled solder pins
- ②\*Male header with straight solder pins\*\*
- ③\*Male connector with CAGE CLAMP®
- ④\*Female connector with CAGE CLAMP®

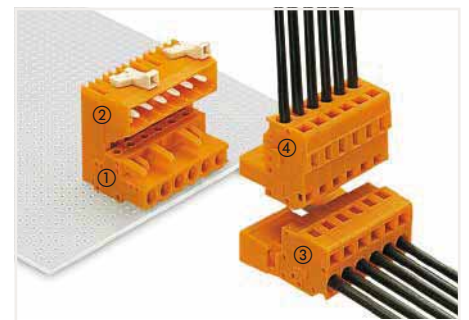
\*\*Male header must be coded prior to soldering!



- ①\*Female header with angled solder pins
- ②\*Male header with straight solder pins\*\*
- ③\*Male connector with CAGE CLAMP®
- ④\*Angled female connector, conductor entry same direction as latches



- ① Female header with angled solder pins
- ② Male header for double-deck assembly
- ③ Male connector with CAGE CLAMP®
- ④ Female connector with CAGE CLAMP®

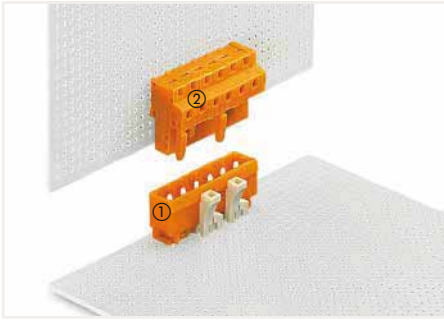


- ① Female header with angled solder pins
- ② Male header for double-deck assembly
- ③ Male connector with CAGE CLAMP®
- ④ Angled female connector, conductor entry same direction as latches

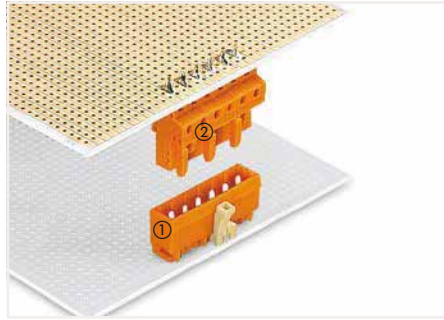
\*\*Male header must be coded prior to soldering!

\*also available in version "100 % protected against mismatching" (see Section 5)

# Application Examples PCB Headers and Connectors MCS MIDI Classic

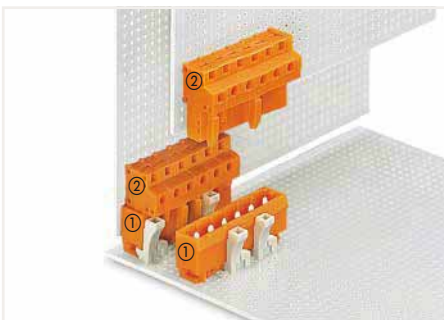


①\*Male header with straight solder pins  
②\*Female header with angled solder pins



①\*Male header with straight solder pins  
②\*Female header with straight solder pins

Total height when mated:  
22.5 mm (0.886 inch)



①\*Male headers with straight solder pins  
②\*Female headers with angled solder pins

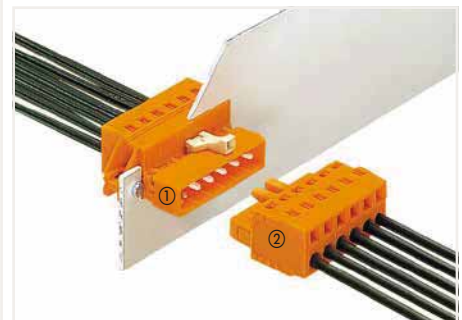


①\*Female headers with straight solder pins  
②\*Male headers with angled solder pins

# Panel Feedthrough Connectors



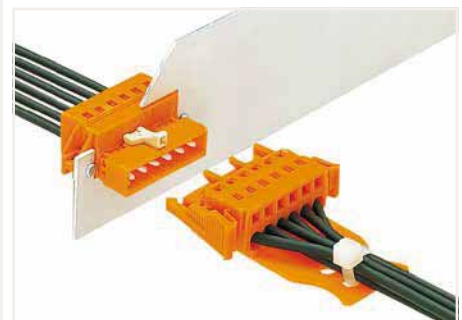
Snap-on type strain relief housings



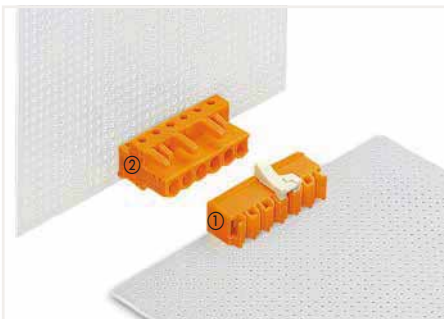
①\*Male connector with mounting flanges and CAGE CLAMP®  
②\*Female connector with CAGE CLAMP®



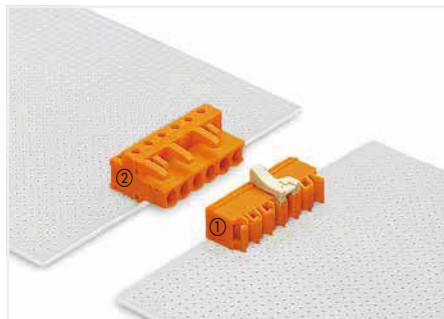
①\*Female connector with mounting flanges and CAGE CLAMP®  
②\*Male connector with CAGE CLAMP®



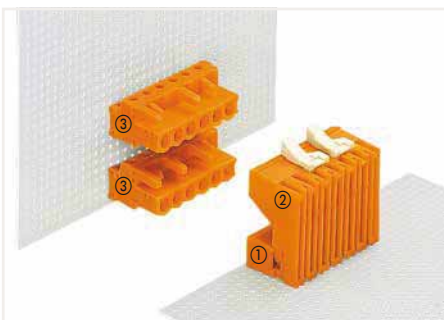
Female connector with locking levers and strain relief plate



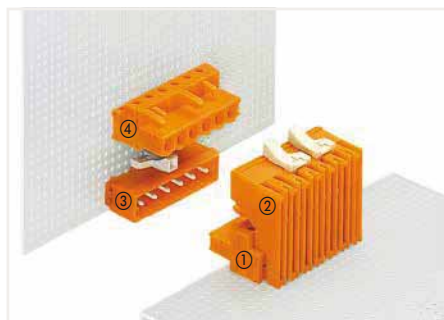
①\*Male header with angled solder pins  
②\*Female header with straight solder pins



①\*Male header with angled solder pins  
②\*Female header with angled solder pins



① Male header with angled solder pins  
② Male header for double-deck assembly  
③ Female header with straight solder pins

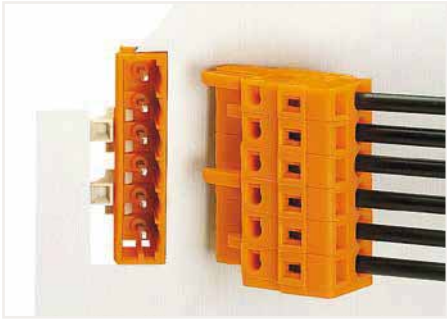


① Female header with angled solder pins  
② Male header for double-deck assembly  
③ Male header with straight solder pins  
④ Female header with straight solder pins

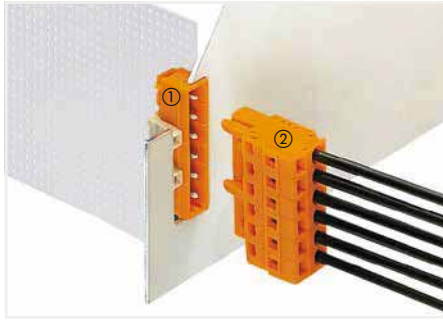
\*also available in version "100 % protected against mismatching" (see Section 5); Cutout dimensions, see page 510

# Application Examples

## PCB Panel Feedthrough Headers



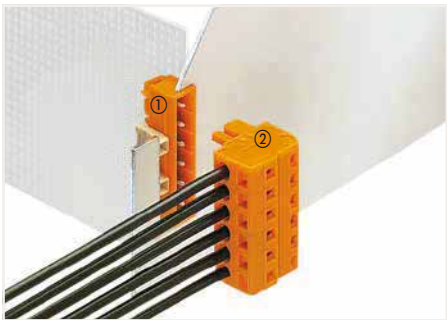
Panel feedthrough male header in large cutout  
Coding via coding keys:  
Coding finger(s) opposite to coding key(s) must be broken off.



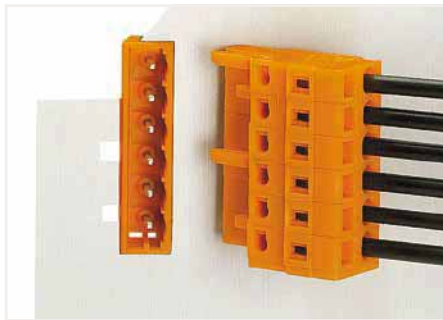
①\*Male header with angled solder pins  
②\*Female connector with CAGE CLAMP®



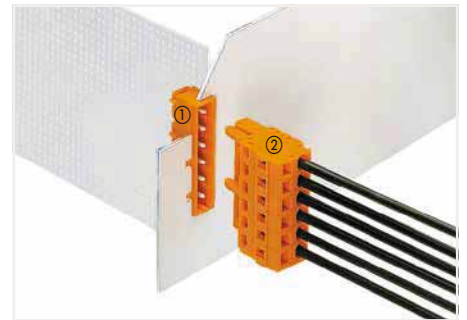
① Male header with angled solder pins  
② Angled female connector,  
conductor entry opposite of latches



①\*Male header with angled solder pins  
②\*Angled female connector, conductor entry  
same direction as latches

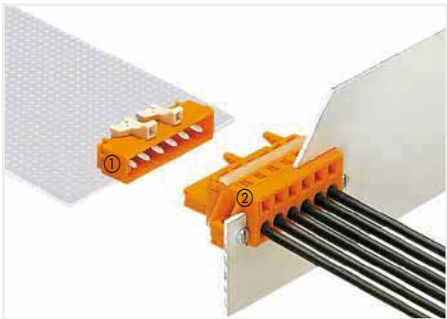


Panel feedthrough male header in small cutout  
Coding via coding slots:  
Leave the coding finger(s) on female connector in coding  
slot position(s).  
Break off remaining fingers.

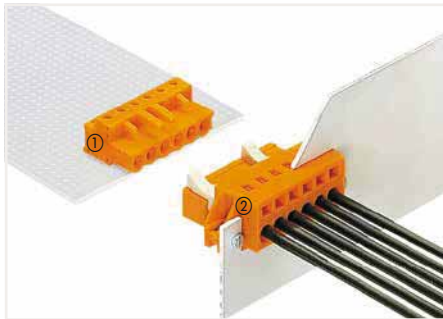


①\*Male header with angled solder pins  
②\*Female connector with CAGE CLAMP®

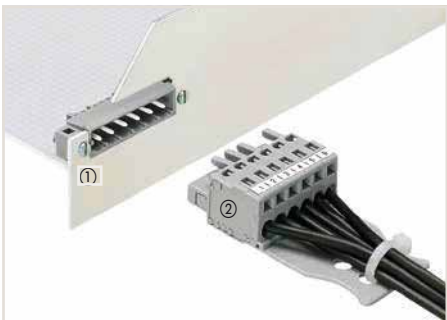
Angled female connectors with mounting flanges are also available in version "100 % protected against mismatching."



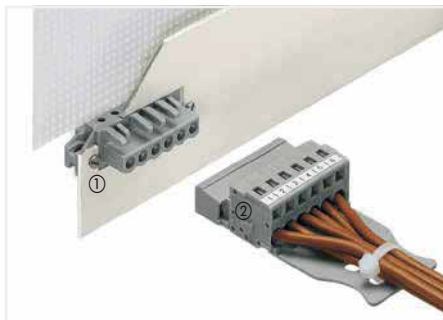
①\*Male header with angled solder pins  
②\*Female connector with mounting flanges  
and CAGE CLAMP®



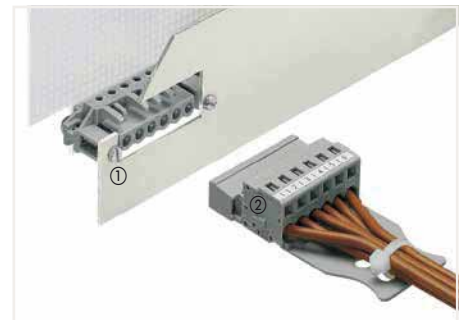
①\*Female header with angled solder pins  
②\*Male connector with mounting flanges  
and CAGE CLAMP®



① Male header with mounting flanges  
and solder pins  
② Female connector with CAGE CLAMP®  
Angled female connectors with mounting flanges are  
also available in version "100 % protected against mis-  
mating."



①\*Female header with feedthrough flanges  
and solder pins  
②\*Male connector with CAGE CLAMP®



①\*Female header with spacers  
and solder pins  
②\*Male connector with CAGE CLAMP®

\*also available in version "100 % protected against mismatching" (see Section 5); Cutout dimensions, see page 510

# Application Examples

## Connectors for Different Mounting Types and Rail-Mount Connectors

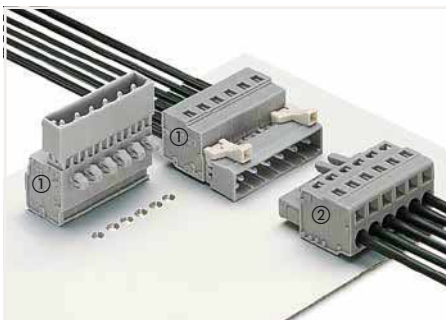
### MCS MIDI Classic



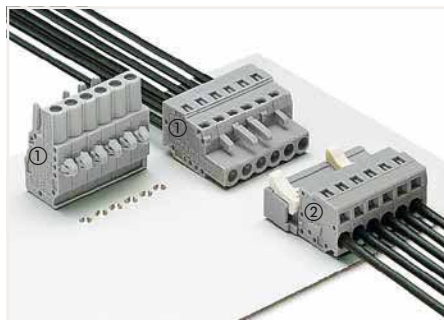
①\*Male connector with CAGE CLAMP®  
②\*Female connector with CAGE CLAMP®



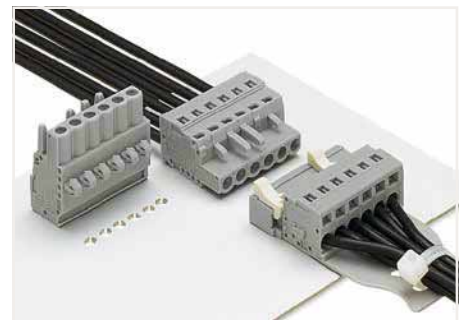
Male connector with CAGE CLAMP® and strain relief plate  
Female connector with locking levers and strain relief plate



①\*Male connector with snap-in mounting feet and CAGE CLAMP®  
②\*Female connector with CAGE CLAMP®



①\*Female connector with snap-in mounting feet and CAGE CLAMP®  
②\*Male connector with CAGE CLAMP®



Male connector with CAGE CLAMP® and strain relief plate

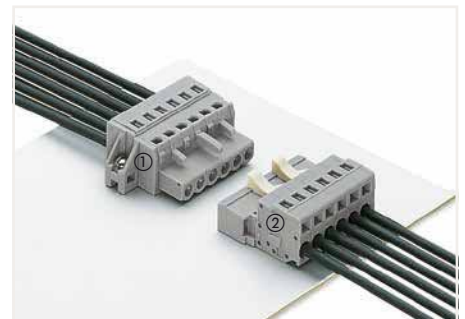
9



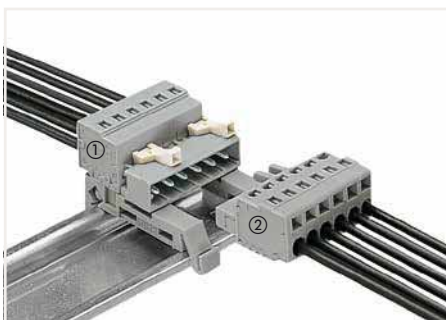
①\*Male connector with mounting flanges and CAGE CLAMP®  
②\*Female connector with CAGE CLAMP®



①\*Male connector with mounting flanges and CAGE CLAMP®  
②\*Angled female connector, conductor entry same direction as latches



①\*Female connector with mounting flanges and CAGE CLAMP®  
②\*Male connector with CAGE CLAMP®



①\*Male connector with snap-in mounting feet and CAGE CLAMP®, on DIN-35 rail-mount adapters\*\*  
②\*Female connector with CAGE CLAMP®  
For 5/5.08 mm pin spacing, starting with 3 poles  
For 7.5/7.62 mm pin spacing, starting with 2 poles



① Double-pin male connector with mounting feet, for DIN-35 rail  
② Female connector with CAGE CLAMP®  
③ Angled female connector with CAGE CLAMP®, conductor exit same direction as latches



① Double-pin male connector with mounting feet, for DIN-35 rail  
② Female connectors with locking levers and CAGE CLAMP®

\*\*Distance between mounting adapters: 30 ... 40 mm

\*also available in version "100 % protected against mismatching" (see Section 5)



# Application Examples

## Connectors for Front-Entry, Rail-Mount Terminal Blocks

### MCS MIDI Classic



①\*Male connector with straight, long contact pins  
②\*Female connector with CAGE CLAMP®



①\*Male connectors with straight, long contact pins  
②\*Female connectors with CAGE CLAMP®



①\*Male connector with straight, long contact pins  
②\*Angled female connector, conductor entry same direction as latches



①\*Male connectors with straight, long contact pins  
②\*Angled female connector, conductor entry same direction as latches  
③\*Female connector with CAGE CLAMP®



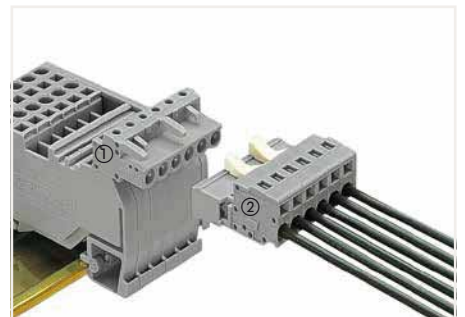
Female connector with strain relief plate  
Angled female connector with strain relief plate



①\*Female connector with straight, long contact pins  
②\*Male connector with CAGE CLAMP®



①\*Male connector with straight, long contact pins  
②\*Female connector with straight, long contact pins  
③\*Angled female connector, conductor entry same direction as latches  
④\*Male connector with CAGE CLAMP®



①\*Female connector with angled, long contact pins  
②\*Male connector with CAGE CLAMP®



①\*Female connector with angled, long contact pins  
②\*Female connector with straight, long contact pins  
③\*Male connectors with CAGE CLAMP®



①\*Female connector with angled, long contact pins  
②\*Male connector with straight, long contact pins  
③\*Male connector with CAGE CLAMP®  
④\*Female connector with CAGE CLAMP®



① Female connector with angled, long contact pins  
② Male connector with straight, long contact pins  
③ Male connector with CAGE CLAMP®  
④ Angled female connector, conductor entry opposite of latches

\*also available in version "100 % protected against mismatching" (see Section 5)










# ***WAGO MULTI CONNECTION SYSTEM MAXI***

## Connectors / Headers

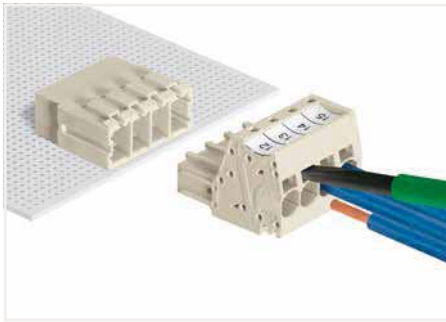
**WAGO MULTI CONNECTION SYSTEM MAXI 6 ▶ Pin Spacing: 7.62 mm ▶ 10 mm<sup>2</sup>**

**WAGO MULTI CONNECTION SYSTEM MAXI 16 ▶ Pin Spacing: 10.16 mm ▶ 16 mm<sup>2</sup>**

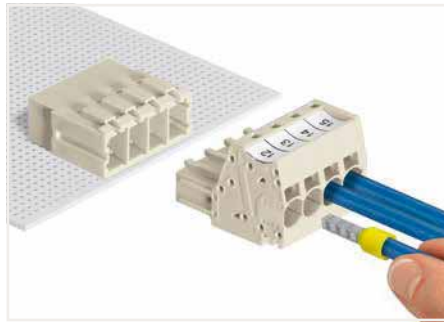
		Nominal Cross-Section	Page
	MCS MAXI 6 1-Conductor Female Connectors ▶ Actuation type: Operating tool ▶ CAGE CLAMP®	7.62 mm	740
	MCS MAXI 6 1-Conductor Male Connectors ▶ Actuation type: Operating tool ▶ CAGE CLAMP®	7.62 mm	742
	MCS MAXI 6 THT Male Headers	7.62 mm	744
	MCS MAXI 16 1-Conductor Female Connectors ▶ Actuation type: Lever ▶ Push-in CAGE CLAMP®	10.16 mm	746
	MCS MAXI 16 1-Conductor Male Connectors ▶ Actuation type: Lever ▶ Push-in CAGE CLAMP®	10.16 mm	748
	MCS MAXI 16 THT Male Headers	10.16 mm	750
	MCS MAXI Accessories		754
	Accessories and Tools		829

# MCS MAXI 6

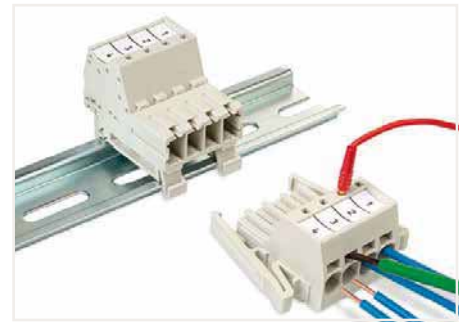
## Description and Installation



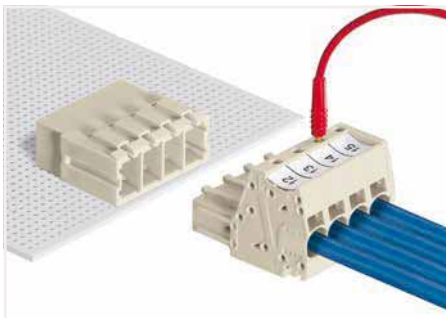
Inserting fine-stranded conductors via (5.5 x 0.8) mm screwdriver.



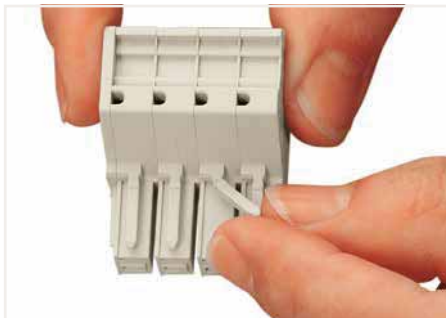
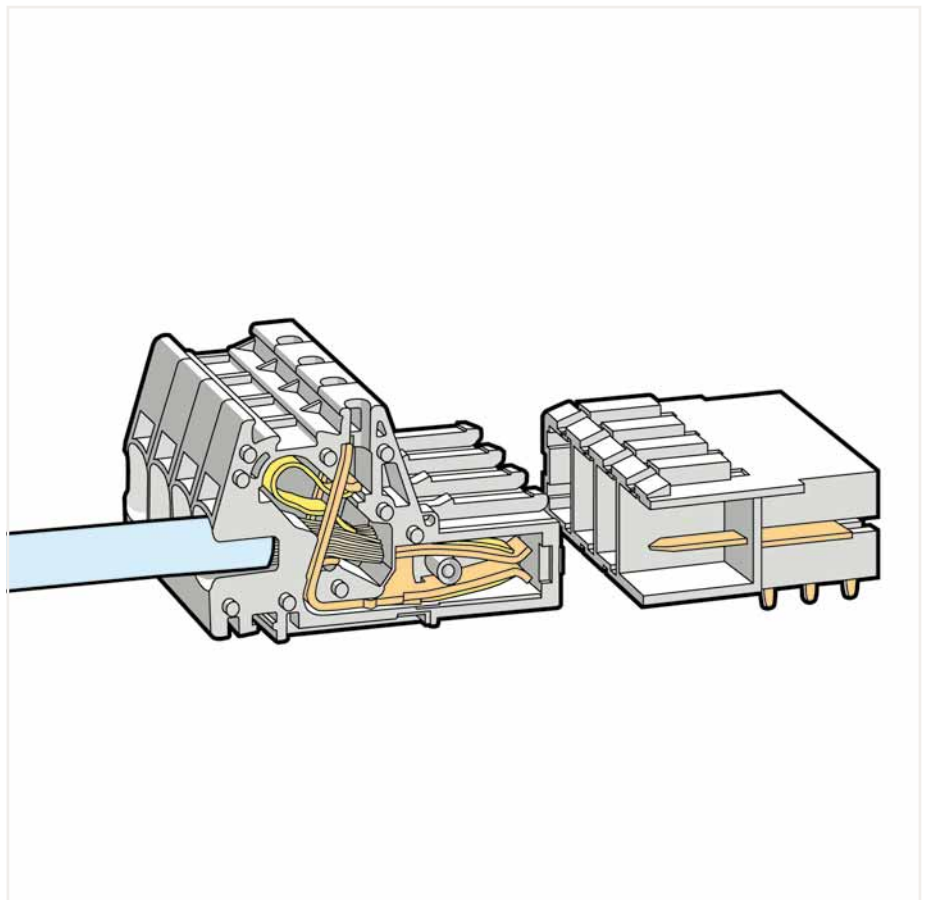
Inserting solid and ferruled conductors via push-in termination.



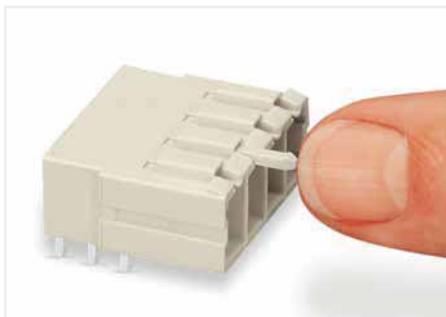
Male connector mounted on a DIN-35 rail via integrated mounting adapter.



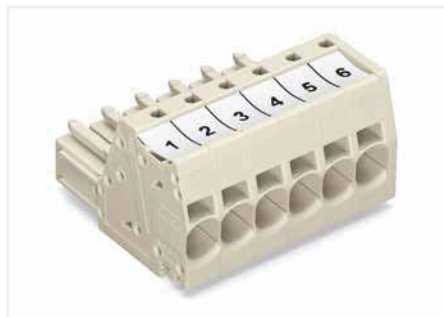
Testing with 2 mm Ø test plug.



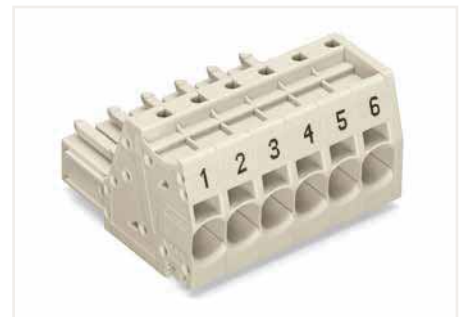
Break or cut off coding pin from female connector.



Insert coding pin into male header (break first) until it engages.

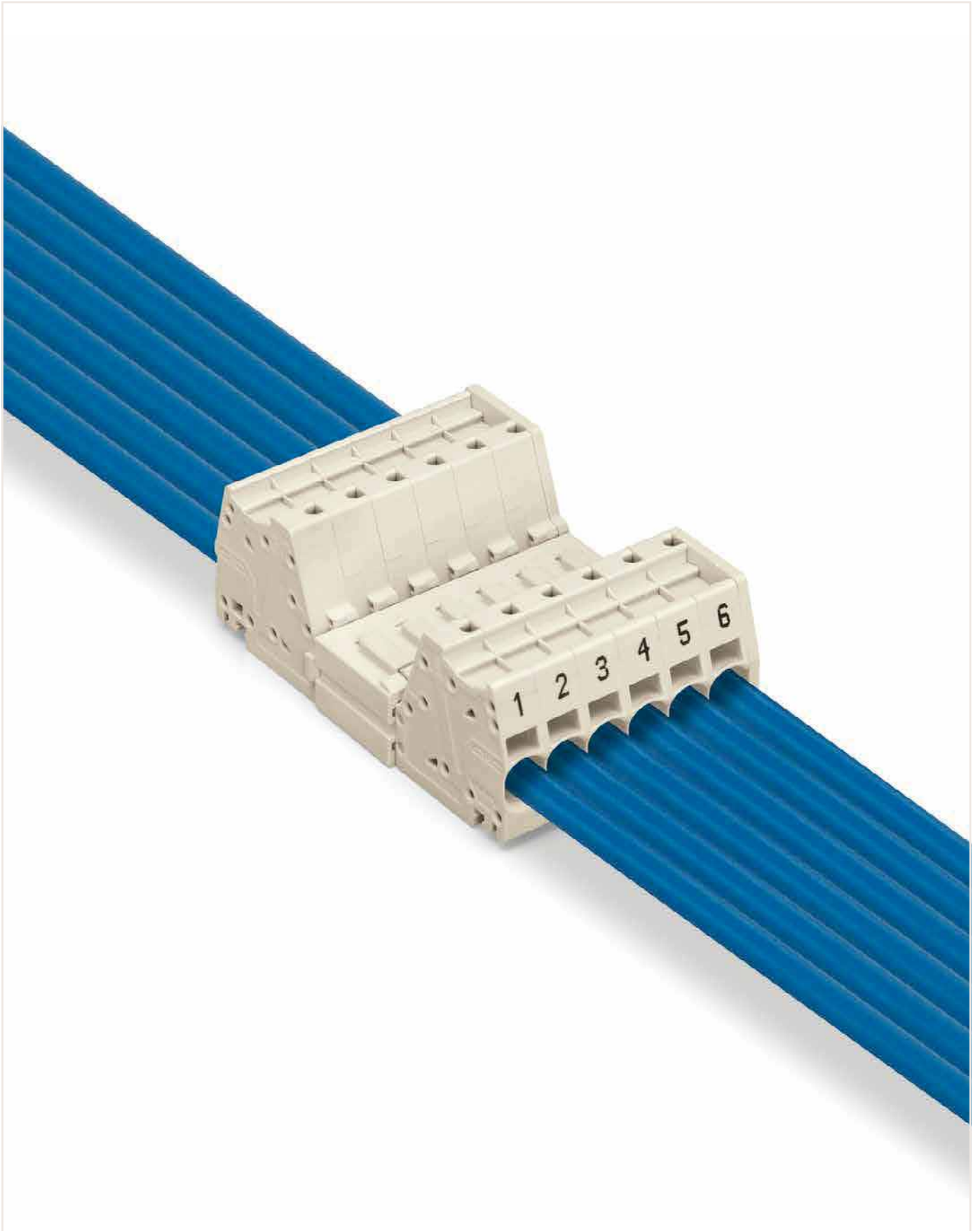


Marking via WMB or Mini-WSB marking strips.



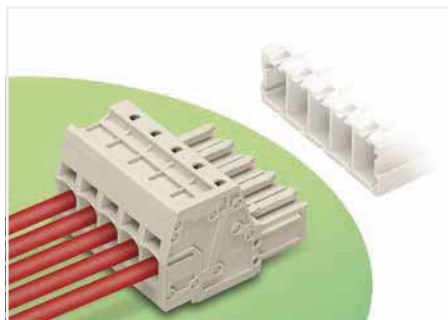
Labeling via direct marking.

10

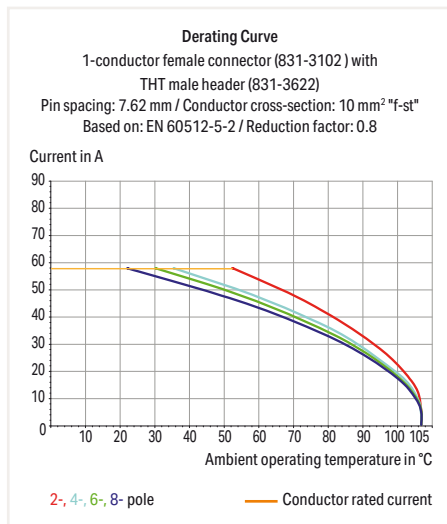


## 1-Conductor Female Connector ▶ MCS MAXI 6 ▶ 831 Series

Pin spacing: 7.62 mm (0.3 inch) ▶ Actuation type: Operating tool ▶ Push-in CAGE CLAMP® ▶ Color: light gray



- Universal connection for all conductor types
- Push-in termination of solid or ferruled conductors
- Integrated test ports for 2 mm Ø test plugs
- 600 V UL per UL 1059
- 100 % protected against mismatching
- Coding via coding fingers



### Electrical Data

Ratings per	IEC/EN 60664-1		
Overvoltage category	III	III	II
Pollution degree	3	2	2
Rated voltage	800 V	1000 V	1000 V
Rated impulse voltage	8 kV	8 kV	8 kV
Rated current	41 A	41 A	41 A

Approvals per	UL 1059		
Use Group	B	C	D
Rated voltage	-	600 V	-
Rated current	-	42 A	-

Approvals per	CSA		
Use Group	B	C	D
Rated voltage	-	600 V	-
Rated current	-	41 A	-

### Connection Data

Connection technology	Push-in CAGE CLAMP®
Strip length	13 ... 15 mm / 0.51 ... 0.59 inch
Solid conductor	0.5 ... 10 mm <sup>2</sup> / 20 ... 8 AWG
Fine-stranded conductor	0.5 ... 10 mm <sup>2</sup> / 20 ... 8 AWG
Fine-stranded conductor with ferrule with plastic collar	0.5 ... 6 mm <sup>2</sup>
Fine-stranded conductor with ferrule without plastic collar	0.5 ... 6 mm <sup>2</sup>

### Material Data

Material group	I
Insulating material	Polyamide 66 (PA 66)
Flammability class per UL94	V0
Clamping spring material	Chrome nickel spring steel (CrNi)
Contact material	Electrolytic copper (Ecu)
Contact plating	Tin-plated

### Environmental Requirements

Limit temperature range	-60 ... +105 °C
-------------------------	-----------------

The *MULTI CONNECTION SYSTEM (MCS)* is designed without breaking capacity for compliance with DIN EN 61984. When used as intended, MCS Connectors shall not be connected/disconnected when live or under load. The circuit design should ensure header pins, which can be touched, are not live when unmated.

Ferrule	Page 847
Marking	Page 757
Strain relief	Page 754
Testing and measuring	Page 854
Tools	Page 838
Direct marking	Page 752
Additional information, see "Technical Section"	
Approvals and corresponding ratings, visit <a href="http://www.wago.com">www.wago.com</a>	

### 1-Conductor Female Connector ▶ MCS MAXI 6 ▶ 831 Series

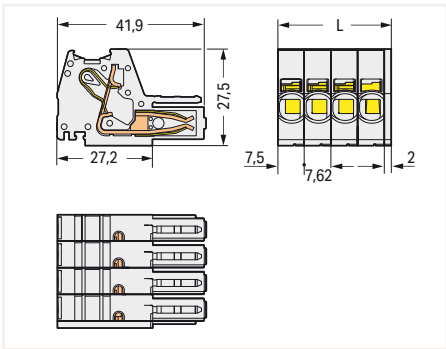
Pin spacing: 7.62 mm (0.3 inch) ▶ Actuation type: Operating tool ▶ Push-in CAGE CLAMP® ▶ Color: light gray

Locking of plug-in connection: locking lever

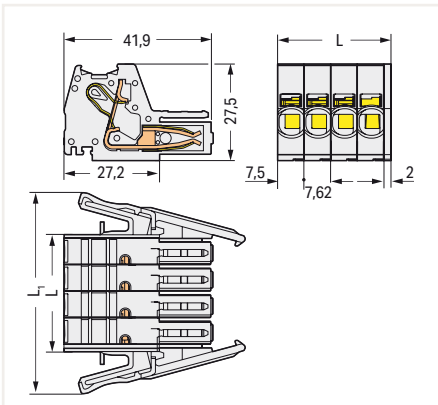


Pole No.	Item No.	PU
2	831-3102	48
3	831-3103	48
4	831-3104	24
5	831-3105	24
6	831-3106	24
7	831-3107	12
8	831-3108	12
9	831-3109	12

Pole No.	Item No.	PU
2	831-3102/037-000	24
3	831-3103/037-000	24
4	831-3104/037-000	12
5	831-3105/037-000	12
6	831-3106/037-000	12
7	831-3107/037-000	12
8	831-3108/037-000	12
9	831-3109/037-000	12



$L = (\text{pole no.} - 1) \times \text{pin spacing} + 9.5 \text{ mm}$



$L = (\text{pole no.} - 1) \times \text{pin spacing} + 10.5 \text{ mm}$   
 $L_1 = L + 23.7 \text{ mm}$

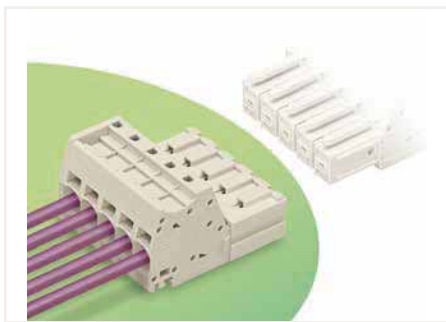
PU = Packaging Unit; SPU = Subpackaging Unit; Dimensions in mm

Other variants can be requested via the WAGO sales department or, if necessary, configured at <https://configurator.wago.com/>:

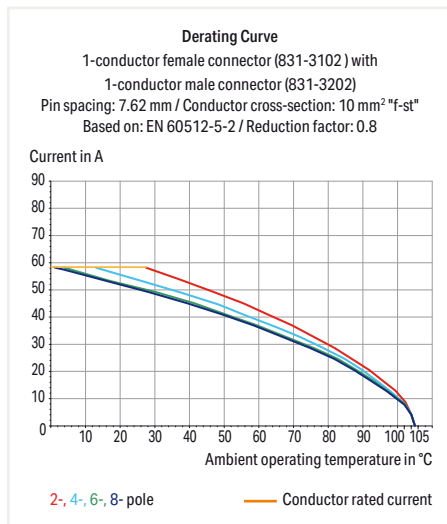
- Other pole numbers

## 1-Conductor Male Connector ▶ MCS MAXI 6 ▶ 831 Series

Pin spacing: 7.62 mm (0.3 inch) ▶ Actuation type: Operating tool ▶ Push-in CAGE CLAMP® ▶ Color: light gray



- Universal connection for all conductor types
- Push-in termination of solid or ferruled conductors
- Integrated test ports for 2 mm Ø test plugs
- 600 V UL per UL 1059
- 100 % protected against mismatching
- Coding via coding fingers



### Electrical Data

Ratings per	IEC/EN 60664-1		
Overvoltage category	III	III	II
Pollution degree	3	2	2
Rated voltage	800 V	1000 V	1000 V
Rated impulse voltage	8 kV	8 kV	8 kV
Rated current	41 A	41 A	41 A
Approvals per	UL 1059		
Use Group	B	C	D
Rated voltage	-	600 V	-
Rated current	-	42 A	-
Approvals per	CSA		
Use Group	B	C	D
Rated voltage	-	600 V	-
Rated current	-	41 A	-

### Connection Data

Connection technology	Push-in CAGE CLAMP®
Strip length	13 ... 15 mm / 0.51 ... 0.59 inch
Solid conductor	0.5 ... 10 mm <sup>2</sup> / 20 ... 8 AWG
Fine-stranded conductor	0.5 ... 10 mm <sup>2</sup> / 20 ... 8 AWG
Fine-stranded conductor with ferrule with plastic collar	0.5 ... 6 mm <sup>2</sup>
Fine-stranded conductor with ferrule without plastic collar	0.5 ... 6 mm <sup>2</sup>

### Material Data

Material group	I
Insulating material	Polyamide 66 (PA 66)
Flammability class per UL94	V0
Clamping spring material	Chrome nickel spring steel (CrNi)
Contact material	Electrolytic copper (Ecu)
Contact plating	Tin-plated

### Environmental Requirements

Limit temperature range	-60 ... +105 °C
-------------------------	-----------------

The *MULTI CONNECTION SYSTEM (MCS)* is designed without breaking capacity for compliance with DIN EN 61984. When used as intended, MCS Connectors shall not be connected/disconnected when live or under load. The circuit design should ensure header pins, which can be touched, are not live when unmated.

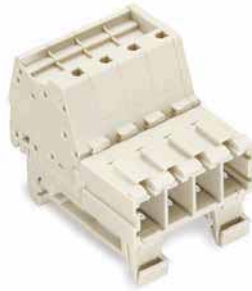
Coding	Page 755
Ferrule	Page 847
Marking	Page 757
Mounting	Page 756
Strain relief	Page 754
Testing and measuring	Page 854
Tools	Page 838
Direct marking	Page 752
Additional information, see "Technical Section"	
Approvals and corresponding ratings, visit <a href="http://www.wago.com">www.wago.com</a>	



### 1-Conductor Male Connector ▶ MCS MAXI 6 ▶ 831 Series

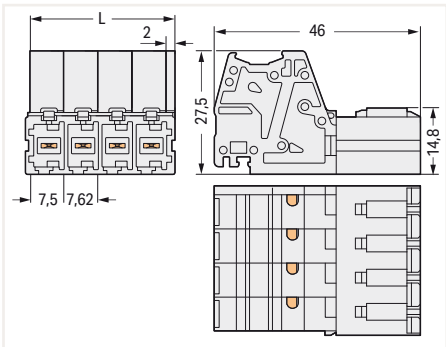
Pin spacing: 7.62 mm (0.3 inch) ▶ Actuation type: Operating tool ▶ Push-in CAGE CLAMP® ▶ Color: light gray

Type of mounting: DIN-35 rail

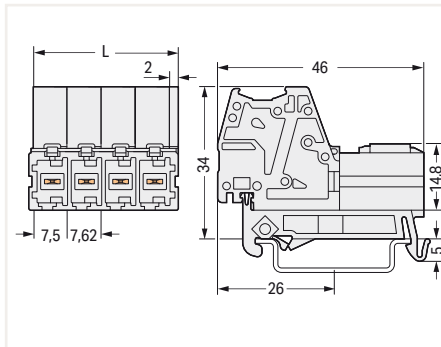


Pole No.	Item No.	PU
2	831-3202	48
3	831-3203	24
4	831-3204	24
5	831-3205	24
6	831-3206	24
7	831-3207	12
8	831-3208	12
9	831-3209	12

Pole No.	Item No.	PU
2	831-3202/007-000	48
3	831-3203/007-000	48
4	831-3204/007-000	24
5	831-3205/007-000	24
6	831-3206/007-000	24
7	831-3207/007-000	12
8	831-3208/007-000	12
9	831-3209/007-000	12



L = (pole no. - 1) x pin spacing + 9.5 mm



L = (pole no. - 1) x pin spacing + 9.5 mm

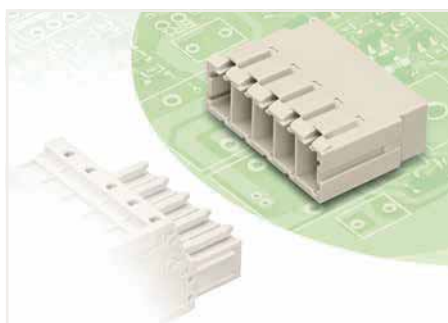
PU = Packaging Unit; SPU = Subpackaging Unit; Dimensions in mm

Other variants can be requested via the WAGO sales department or, if necessary, configured at <https://configurator.wago.com/>:

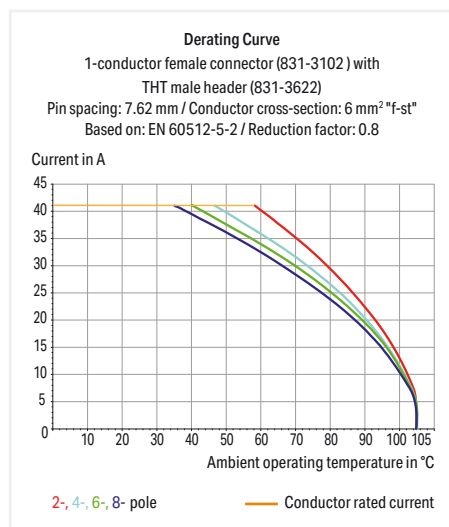
- Other pole numbers

**THT Male Header ▶ MCS MAXI 6 ▶ 831 Series**

Pin spacing: 7.62 mm (0.3 inch) ▶ Solder pin dimensions: 1 x 1.2 mm ▶ Color: light gray



- Male headers may be mounted horizontally or vertically via straight or angled solder pins
- Three solder pins per pole provide high electrical and mechanical stability
- 100 % protected against mismatching
- Coding via coding fingers

**Electrical Data**

Ratings per	IEC/EN 60664-1		
Overvoltage category	III	III	II
Pollution degree	3	2	2
Rated voltage	500 V	630 V	1000 V
Rated impulse voltage	6 kV	6 kV	6 kV
Rated current	41 A	41 A	41 A
Approvals per	UL 1059		
Use Group	B	C	D
Rated voltage	-	300 V	600 V
Rated current	-	42 A	5 A
Approvals per	CSA		
Use Group	B	C	D
Rated voltage	-	300 V	600 V
Rated current	-	41 A	5 A

**Material Data**

Material group	I
Insulating material	Polyamide 66 (PA 66)
Flammability class per UL94	V0
Contact material	Electrolytic copper (Ecu)
Contact plating	Tin-plated

**Mechanical Data**

Solder pin arrangement	Over the entire male connector, in line
Solder pin length	4 mm
Solder pin dimensions	1 x 1.2 mm
Drilled hole diameter (tolerance)	1.7 <sup>(+0.1)</sup> mm

**Environmental Requirements**

Limit temperature range	-60 ... +105 °C
-------------------------	-----------------

The *MULTI CONNECTION SYSTEM (MCS)* is designed without breaking capacity for compliance with DIN EN 61984. When used as intended, MCS Connectors shall not be connected/disconnected when live or under load. The circuit design should ensure header pins, which can be touched, are not live when unmated.

Coding Page 755

Additional information, see "Technical Section"

Approvals and corresponding ratings, visit [www.wago.com](http://www.wago.com)

## THT Male Header ▶ MCS MAXI 6 ▶ 831 Series

Pin spacing: 7.62 mm (0.3 inch) ▶ Solder pin dimensions: 1 x 1.2 mm ▶ Color: light gray

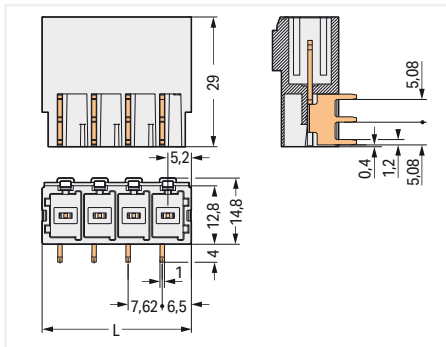
Mating direction to the PCB: 0°

Mating direction to the PCB: 90°

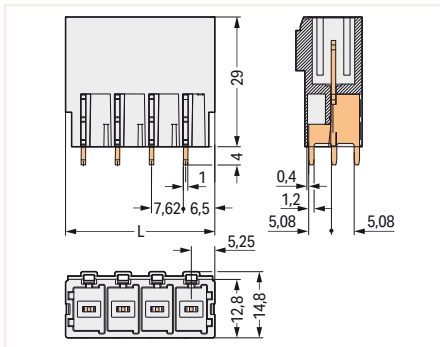


Pole No.	Item No.	PU
2	831-3622	48
3	831-3623	48
4	831-3624	24
5	831-3625	24
6	831-3626	24
7	831-3627	12
8	831-3628	12
9	831-3629	12

Pole No.	Item No.	PU
2	831-3602	48
3	831-3603	48
4	831-3604	24
5	831-3605	24
6	831-3606	24
7	831-3607	12
8	831-3608	12
9	831-3609	12



$L = (\text{pole no.} - 1) \times \text{pin spacing} + 10.5 \text{ mm}$



$L = (\text{pole no.} - 1) \times \text{pin spacing} + 10.5 \text{ mm}$

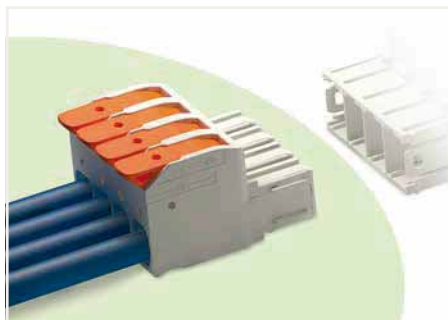
PU = Packaging Unit; SPU = Subpackaging Unit; Dimensions in mm

Other variants can be requested via the WAGO sales department or, if necessary, configured at <https://configurator.wago.com/>:

- Other pole numbers
- Protection against PCB mounting errors

**1-Conductor Female Connector ▶ MCS MAXI 16 ▶ 832 Series**

Pin spacing: 10.16 mm (0.4 inch) ▶ Actuation type: Lever ▶ Push-in CAGE CLAMP® ▶ Color: light gray



- Intuitive and tool-free lever actuation
- Universal connection for all conductor types
- Push-in terminations of solid and ferruled conductors
- Test slot 0° and 90° to conductor entry
- 100 % protected against mismatching
- Coding via coding fingers

**Electrical Data**

Ratings per	IEC/EN 60664-1		
Overvoltage category	III	III	II
Pollution degree	3	2	2
Rated voltage	1000 V	1000 V	1000 V
Rated impulse voltage	8 kV	8 kV	8 kV
Rated current	76 A	76 A	76 A

**Connection Data**

Connection technology	Push-in CAGE CLAMP®
Strip length	18 ... 20 mm / 0.71 ... 0.79 inch
Solid conductor	0.75 ... 16 mm <sup>2</sup> / 18 ... 4 AWG
Fine-stranded conductor	0.75 ... 25 mm <sup>2</sup> / 18 ... 4 AWG
Fine-stranded conductor with ferrule with plastic collar	0.75 ... 16 mm <sup>2</sup>
Fine-stranded conductor with ferrule without plastic collar	0.75 ... 16 mm <sup>2</sup>

**Material Data**

Material group	I
Insulating material	Polybutylene terephthalate (PBT)
Flammability class per UL94	V0
Clamping spring material	Chrome nickel spring steel (CrNi)
Contact material	Electrolytic copper (Ecu)
Contact plating	Silver-plated

**Environmental Requirements**

Limit temperature range	-60 ... +120 °C
-------------------------	-----------------

10

The *MULTI CONNECTION SYSTEM (MCS)* is designed without breaking capacity for compliance with DIN EN 61984. When used as intended, MCS Connectors shall not be connected/disconnected when live or under load. The circuit design should ensure header pins, which can be touched, are not live when unmated.

Coding Page 755

Additional information, see "Technical Section"

Approvals and corresponding ratings, visit [www.wago.com](http://www.wago.com)

### 1-Conductor Female Connector ▶ MCS MAXI 16 ▶ 832 Series

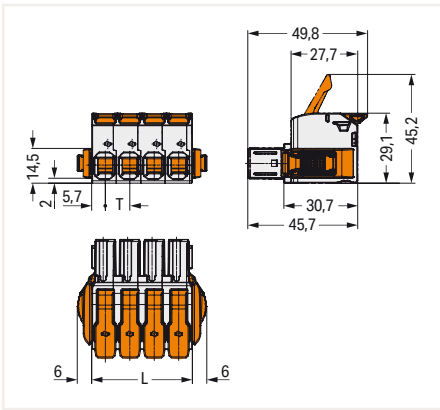
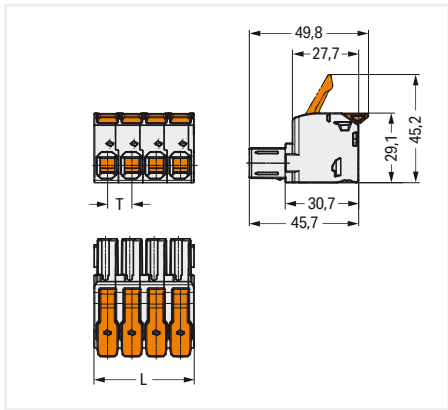
Pin spacing: 10.16 mm (0.4 inch) ▶ Actuation type: Lever ▶ Push-in CAGE CLAMP® ▶ Color: light gray

Locking of plug-in connection: locking lever



Pole No.	Item No.	PU
2	832-1102	50
3	832-1103	50
4	832-1104	20
5	832-1105	20
6	832-1106	10

Pole No.	Item No.	PU
2	832-1102/037-000	25
3	832-1103/037-000	25
4	832-1104/037-000	20
5	832-1105/037-000	10
6	832-1106/037-000	10



PU = Packaging Unit; SPU = Subpackaging Unit; Dimensions in mm

Other variants can be requested via the WAGO sales department or, if necessary, configured at <https://configurator.wago.com/>:

- Other pole numbers

**1-Conductor Male Connector ▶ MCS MAXI 16 ▶ 832 Series**

Pin spacing: 10.16 mm (0.4 inch) ▶ Actuation type: Lever ▶ Push-in CAGE CLAMP® ▶ Color: light gray



- Intuitive and tool-free lever actuation
- Universal connection for all conductor types
- Push-in terminations of solid and ferruled conductors
- Test slot 0° and 90° to conductor entry
- 100 % protected against mismatching
- Coding via coding fingers

**Electrical Data**

Ratings per	IEC/EN 60664-1		
Overvoltage category	III	III	II
Pollution degree	3	2	2
Rated voltage	1000 V	1000 V	1000 V
Rated impulse voltage	8 kV	8 kV	8 kV
Rated current	76 A	76 A	76 A

**Connection Data**

Connection technology	Push-in CAGE CLAMP®
Strip length	18 ... 20 mm / 0.71 ... 0.79 inch
Solid conductor	0.75 ... 16 mm <sup>2</sup> / 18 ... 4 AWG
Fine-stranded conductor	0.75 ... 25 mm <sup>2</sup> / 18 ... 4 AWG
Fine-stranded conductor with ferrule with plastic collar	0.75 ... 16 mm <sup>2</sup>
Fine-stranded conductor with ferrule without plastic collar	0.75 ... 16 mm <sup>2</sup>

**Material Data**

Material group	I
Insulating material	Polybutylene terephthalate (PBT)
Flammability class per UL94	V0
Clamping spring material	Chrome nickel spring steel (CrNi)
Contact material	Electrolytic copper (Ecu)
Contact plating	Silver-plated

**Environmental Requirements**

Limit temperature range	-60 ... +120 °C
-------------------------	-----------------

The *MULTI CONNECTION SYSTEM (MCS)* is designed without breaking capacity for compliance with DIN EN 61984. When used as intended, MCS Connectors shall not be connected/disconnected when live or under load. The circuit design should ensure header pins, which can be touched, are not live when unmated.

Coding Page 755

Additional information, see "Technical Section"

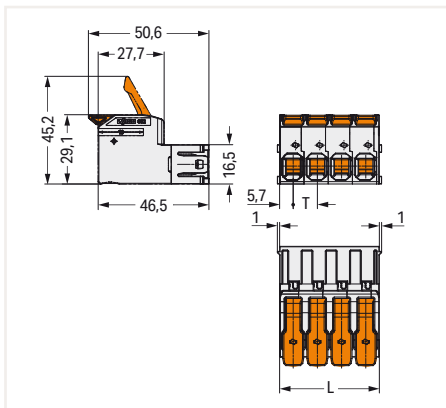
Approvals and corresponding ratings, visit [www.wago.com](http://www.wago.com)

## 1-Conductor Male Connector ▶ MCS MAXI 16 ▶ 832 Series

Pin spacing: 10.16 mm (0.4 inch) ▶ Actuation type: Lever ▶ Push-in CAGE CLAMP® ▶ Color: light gray



Pole No.	Item No.	PU
2	832-1202	50
3	832-1203	25
4	832-1204	20
5	832-1205	20
6	832-1206	10



L = pole no. x pin spacing + 1.3 mm

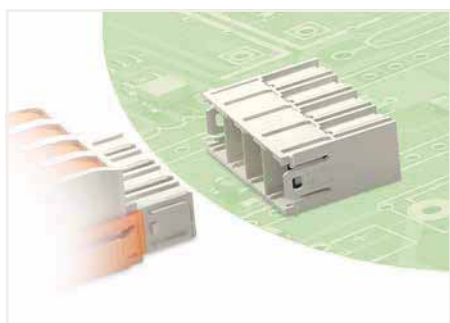
PU = Packaging Unit; SPU = Subpackaging Unit; Dimensions in mm

Other variants can be requested via the WAGO sales department or, if necessary, configured at <https://configurator.wago.com/>:

- Other pole numbers

**THT Male Header ▶ MCS MAXI 16 ▶ 832 Series**

Pin spacing: 10.16 mm (0.4 inch) ▶ Solder pin dimensions: 1.2 x 1.2 mm ▶ Color: light gray



- Male header may be mounted horizontally or vertically via straight or angled solder pins
- Three solder pins per pole provide high electrical and mechanical stability
- Mating face (IP2XB) with higher protection against accidental contact
- 100 % protected against mismatching
- Coding via coding fingers

**Electrical Data**

Ratings per	IEC/EN 60664-1		
Overvoltage category	III	III	II
Pollution degree	3	2	2
Rated voltage	800 V	1000 V	1000 V
Rated impulse voltage	8 kV	8 kV	8 kV
Rated current	76 A	76 A	76 A

**Material Data**

Material group	I
Insulating material	Polybutylene terephthalate (PBT)
Flammability class per UL94	V0
Clamping spring material	Chrome nickel spring steel (CrNi)
Contact material	Electrolytic copper (Ecu)
Contact plating	Silver-plated

**Mechanical Data**

Solder pin arrangement	Over the entire male connector, in line
Solder pin length	4 mm
Solder pin dimensions	1.2 x 1.2 mm
Drilled hole diameter (tolerance)	1.7 <sup>(+0.1)</sup> mm

**Environmental Requirements**

Limit temperature range	-60 ... +120 °C
-------------------------	-----------------

The *MULTI CONNECTION SYSTEM (MCS)* is designed without breaking capacity for compliance with DIN EN 61984. When used as intended, MCS Connectors shall not be connected/disconnected when live or under load. The circuit design should ensure header pins, which can be touched, are not live when unmated.

Coding Page 755

Additional information, see "Technical Section"

Approvals and corresponding ratings, visit [www.wago.com](http://www.wago.com)



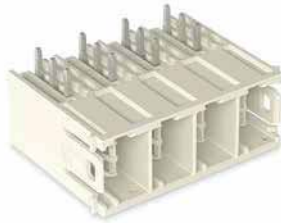
### THT Male Header ▶ MCS MAXI 16 ▶ 832 Series

Pin spacing: 10.16 mm (0.4 inch) ▶ Solder pin dimensions: 1.2 x 1.2 mm ▶ Color: light gray

Mating direction to the PCB: 0°

Mating direction to the PCB: 180°

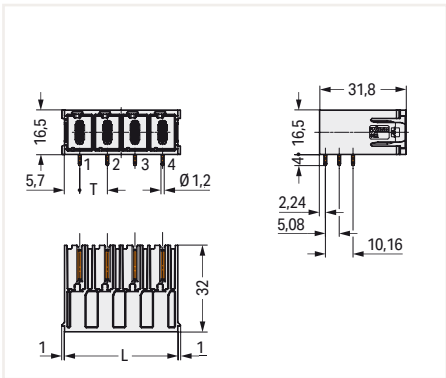
Mating direction to the PCB: 90°



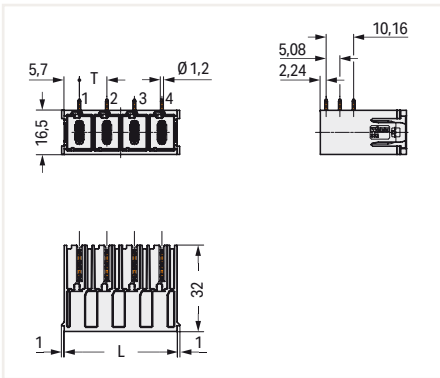
Pole No.	Item No.	PU
2	832-3622	50
3	832-3623	50
4	832-3624	20
5	832-3625	20
6	832-3626	10

Pole No.	Item No.	PU
2	832-3642	50
3	832-3643	50
4	832-3644	20
5	832-3645	20
6	832-3646	10

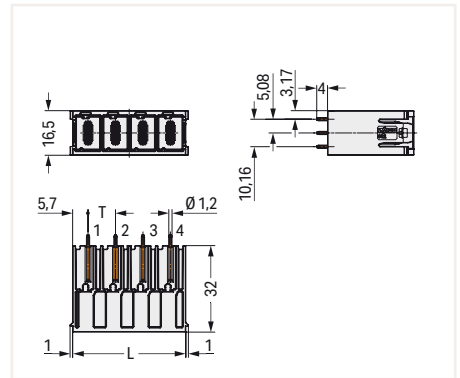
Pole No.	Item No.	PU
2	832-3602	50
3	832-3603	50
4	832-3604	20
5	832-3605	20
6	832-3606	10



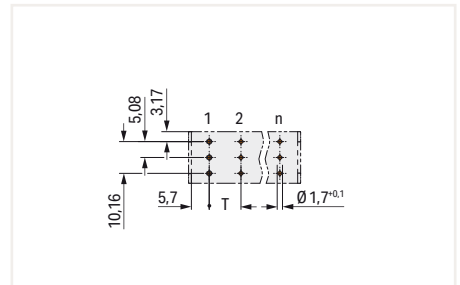
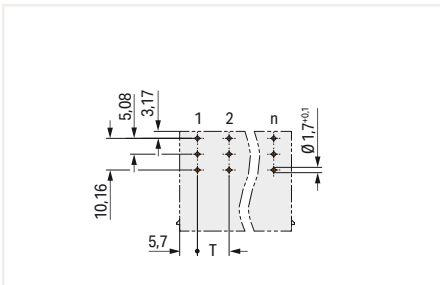
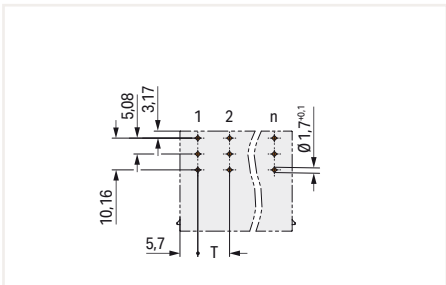
L = pole no. x pin spacing + 1.3 mm



L = pole no. x pin spacing + 1.3 mm



L = pole no. x pin spacing + 1.3 mm



10

PU = Packaging Unit; SPU = Subpackaging Unit; Dimensions in mm

Other variants can be requested via the WAGO sales department or, if necessary, configured at <https://configurator.wago.com/>:

- Other pole numbers
- Protection against PCB mounting errors

## Direct Marking MCS MAXI 6



Direct marking of female connectors; parallel to conductor entry; 1 ... pole no.; item no. suffix.: /... - 9037

Version	Item No. Example
1-conductor female connector; 6-pole; light gray	831-3106/000-9037
1-conductor female connector; with locking levers; 6-pole; light gray	831-3106/037-9037

Direct marking of male connectors; parallel to conductor entry; pole no. ... 1; item no. suffix.: /... - 9034

Version	Item No. Example
1-conductor male connector; 6-pole; light gray	831-3206/000-9034
1-conductor male connector; for DIN-35 rail mounting; 6-pole, light gray	831-3206/007-9034



# Strain Relief Plates and Coding Pins

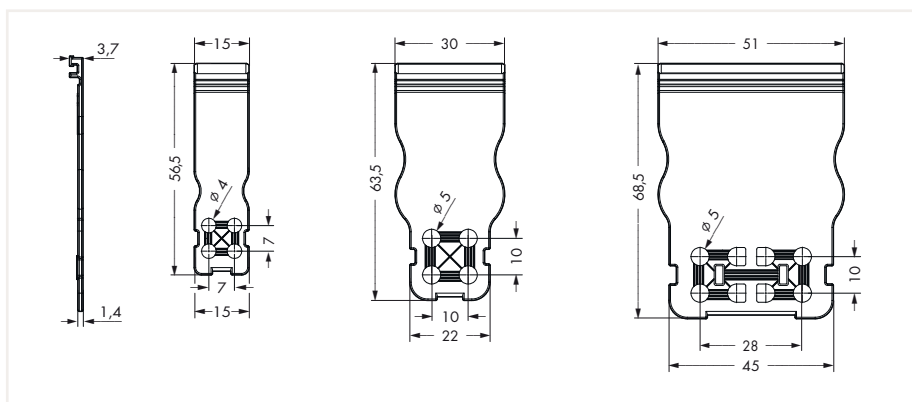
## MCS MAXI 6



Strain relief plate; for inserting; light gray			
Pole No.	Width	Item No.	PU
2 ... 3	15 mm	831-503	96 (24)
4 ... 6	30 mm	831-505	48 (24)
7 ... 9	51 mm	831-506	48 (24)

Strain relief plate; factory assembled; light gray		
Pole No.	Width	Item No. Suffix *
2 ... 3	15 mm	.../133-000
4 ... 6	30 mm	.../135-000
7 ... 9	51 mm	.../136-000

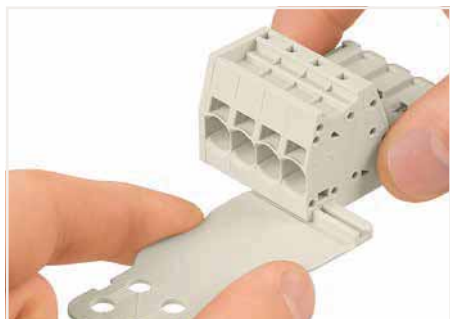
\*An "item no. suffix," referring to the width of the strain relief plate, is added to the "basic item no." and determines the type of male or female connector.



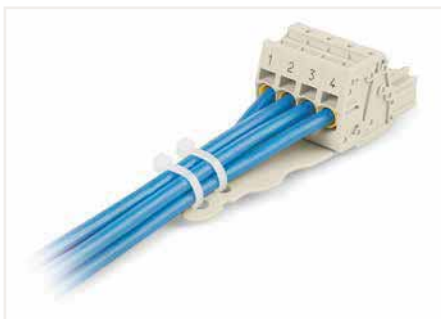
10

The arrangement of the attachments for cable ties allows single conductors or multi-core cables to be secured in different ways. The width of the cable ties must correspond to the hole dimensions of the strain relief plates shown above.

Cable ties and binding tools are not offered by WAGO.



Strain relief plate for field assembly



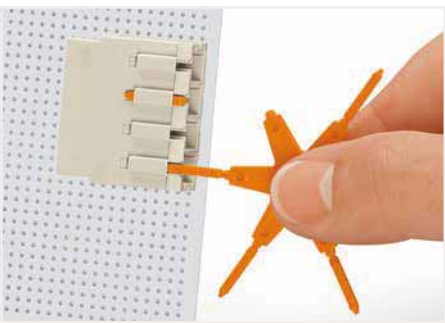
Strain relief plate; pre-assembled; 1-conductor female connector; 4-pole; 7.62 mm pin spacing; light gray (831-3104/135-000)

## Coding Pins MCS MAXI 6; MCS MAXI 16

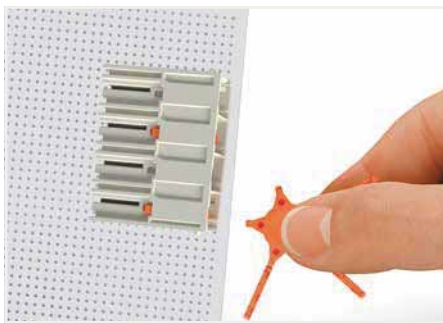


Coding pin carrier; with six coding pins; for THT male headers		
Color	Item No.	PU (SPU)
orange	831-500	100 (25)

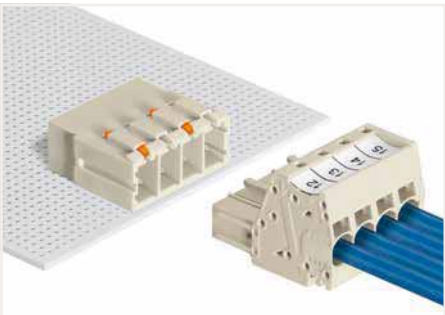
Coding pin carrier; with six coding pins; for male and female connectors MCS MAXI 16		
Color	Item No.	PU (SPU)
orange	832-500	100 (25)



Coding a THT male header by inserting a coding pin.



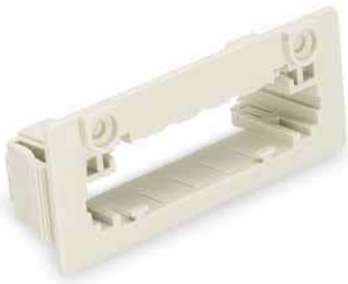
Coding a THT male header by inserting a coding pin.



Coded connectors

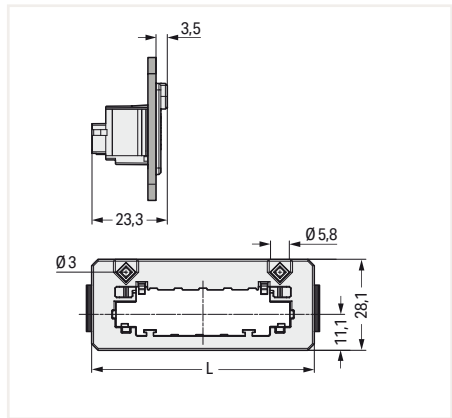
# Snap-In Frames and Lockout Pins

## MCS MAXI 6

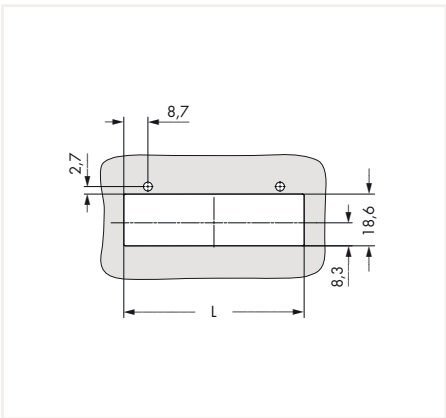
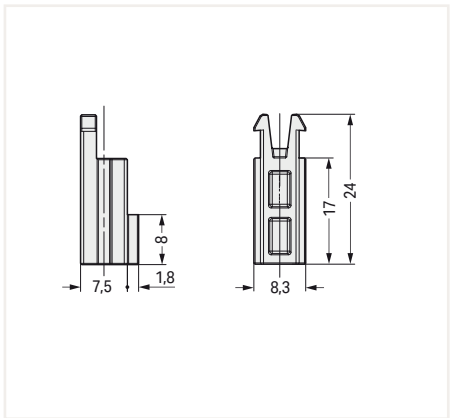


Snap-in frame for MCS MAXI male connectors; light gray			
Pole No.	Width	Item-No.	PU
2	45.84 mm	831-302	48
3	53.46 mm	831-303	48
4	61.08 mm	831-304	24
5	68.7 mm	831-305	12

Lockout pins for snap-in frames		
Color	Item-No.	PU
light gray	831-321	100

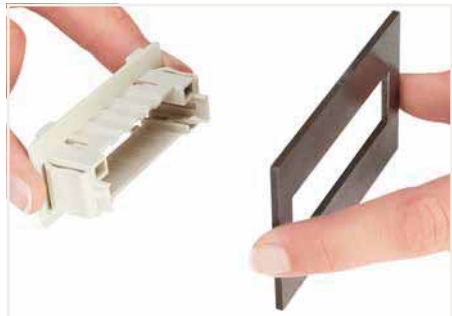


L = (pole no. x 7.62 mm) + 30.6 mm

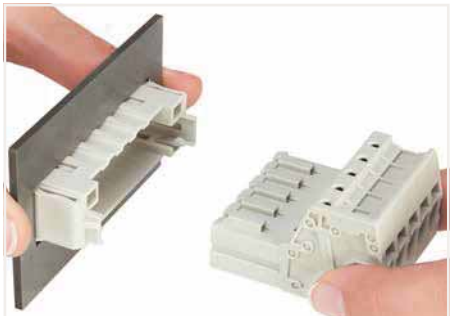


L = (pole no. x 7.62 mm) + 26.8 mm  
Panel cutout for snap-in frame

10



Insert the snap-in frame into the cutout.



Insert the male connector into the snap-in frame.

- Snap-in frames for through-panel MCS MAXI 6 connectors
- Fast and easy installation – without tools
- Compatible with MCS MAXI 6 male and female connectors
- For panel thickness ranging
- Optional screw mounting



Inserting a female connector equipped with lateral locking levers.

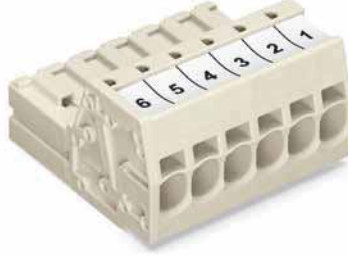
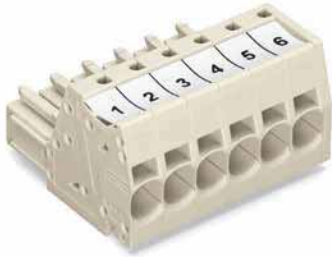


Inserting a female connector without lateral locking levers – lockout pins are inserted on both sides of the snap-in frame.

PU = Packaging Unit; SPU = Subpackaging Unit; Dimensions in mm

## Marking Strips

### MCS MAXI 6



Marking strip; 1 ... pole no.; for marking female connectors; perpendicular to conductor entry

Pole No.	Item No.	PU
2	2009-110/762-802	100
3	2009-110/762-803	100
4	2009-110/762-804	100
5	2009-110/762-805	100
6	2009-110/762-806	100
7	2009-110/762-807	100
8	2009-110/762-808	100
9	2009-110/762-809	100

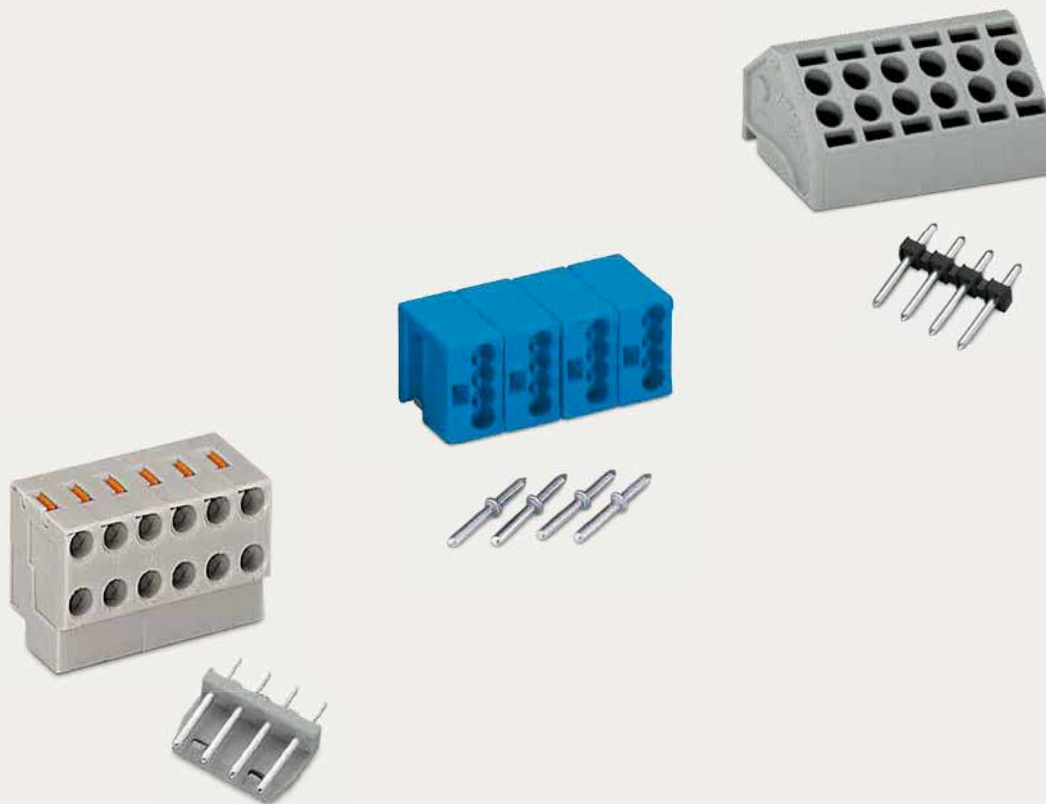
Marking strip; pole no. ... 1; for marking male connectors; perpendicular to conductor entry

Pole No.	Item No.	PU
2	2009-110/762-852	50
3	2009-110/762-853	50
4	2009-110/762-854	50
5	2009-110/762-855	50
6	2009-110/762-856	50
7	2009-110/762-857	50
8	2009-110/762-858	50
9	2009-110/762-859	50

MCS MAXI male and female connectors can also be marked via Mini-WSB or WMB markers (see Section 12).

PU = Packaging Unit; SPU = Subpackaging Unit; Dimensions in mm





Available upon request (depending on quantity required):  
Customized marking



# WAGO Pluggable PCB Connectors

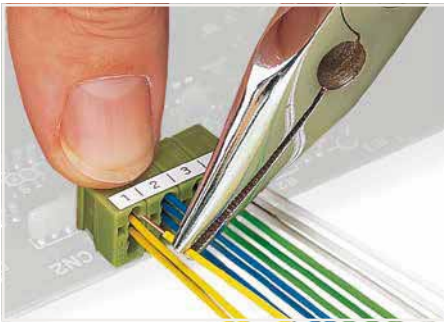


## Pluggable WAGO PCB Connectors

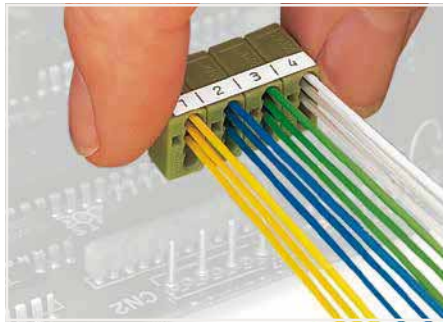
		Nominal Cross-Section	Series	Page
	2-Conductor Compact PCB Connectors ▶ 0.4 ... 0.8 mm Ø "sol." ▶ PUSH WIRE®	3,5 mm	252	762
	2-Conductor PCB Connector Strips (Pinstrip Pluggable) ▶ 0.2 ... 1.5 mm <sup>2</sup> (16 AWG) ▶ Push-in CAGE CLAMP®	5 mm	806	764
	4-Conductor Modular PCB Connectors ▶ 0.4 ... 0.8 mm Ø "sol." ▶ PUSH WIRE®	5,75 mm	243	766
	Accessories and Tools			829

PUSH WIRE®

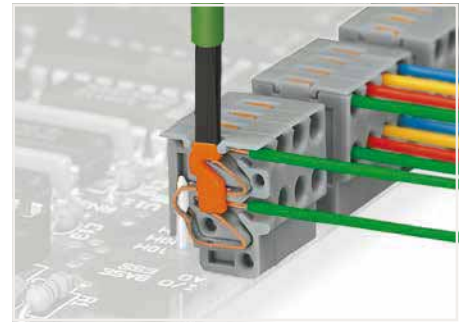
# Pluggable PCB Connectors 252 and 243 Series Description and Installation



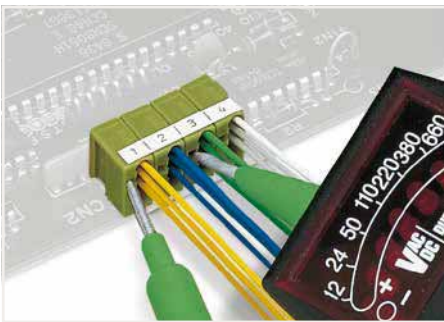
Inserting a conductor using pliers until it hits backstop – directly on the PCB or wiring prior to mounting on PCB.



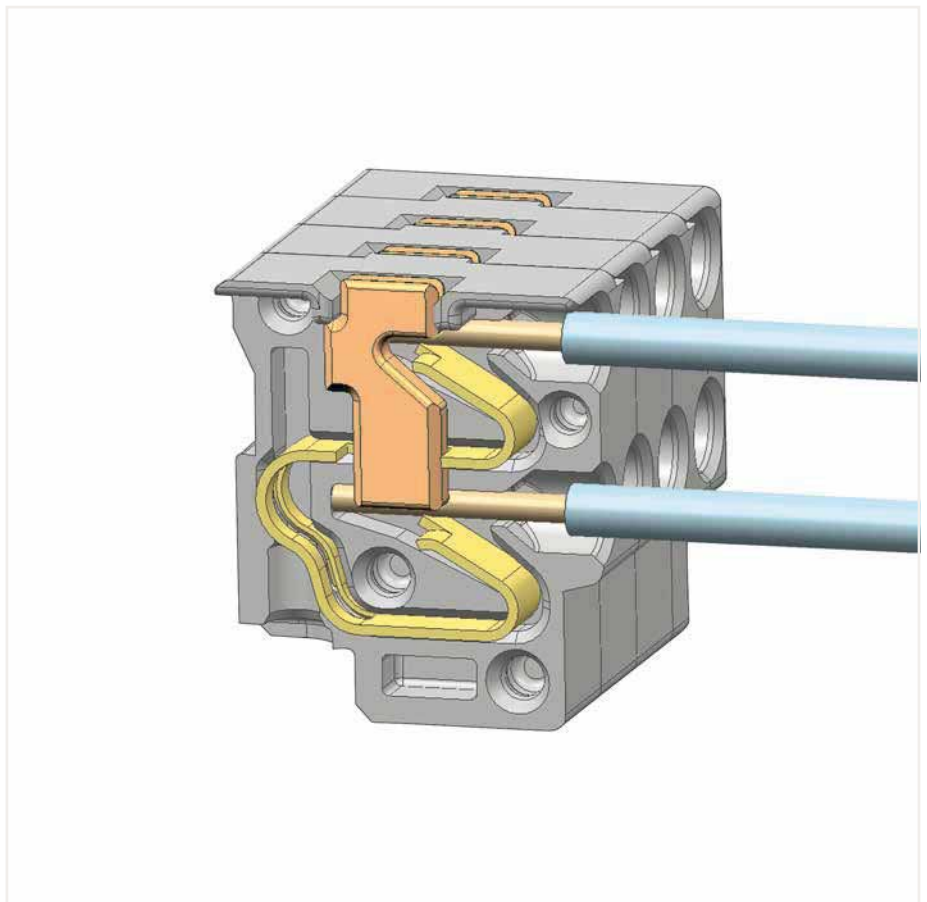
Removing a PCB connector strip to replace the board.



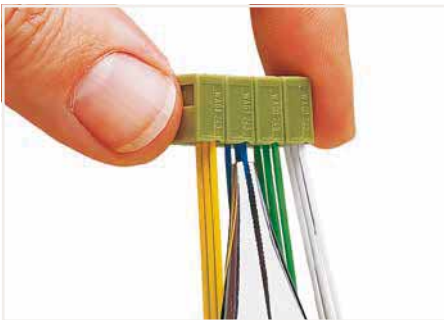
Removing a conductor via push-button – 252 Series



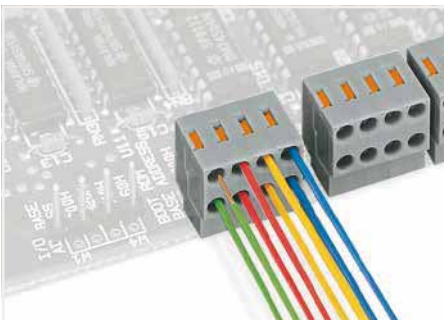
Testing – 243 Series



252 Series



Removing a conductor using pliers – twisting alternately left and right – 243 Series



Conductor termination directly on the PCB or wiring prior to mounting on PCB – 252 Series



Solder pin strip with strain relief, 4-pole



Plugging a compact PCB connector – 252 Series.

11

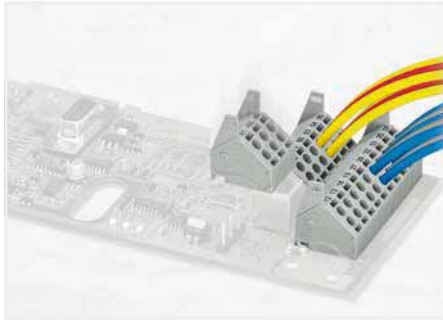
## Pluggable PCB Connectors

### 806 Series

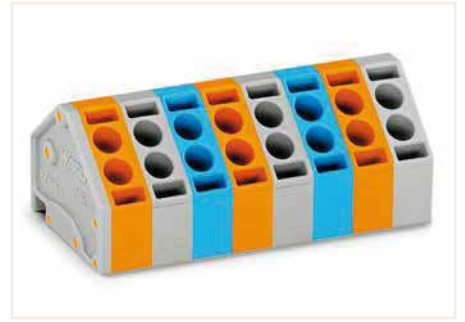
#### Description and Installation



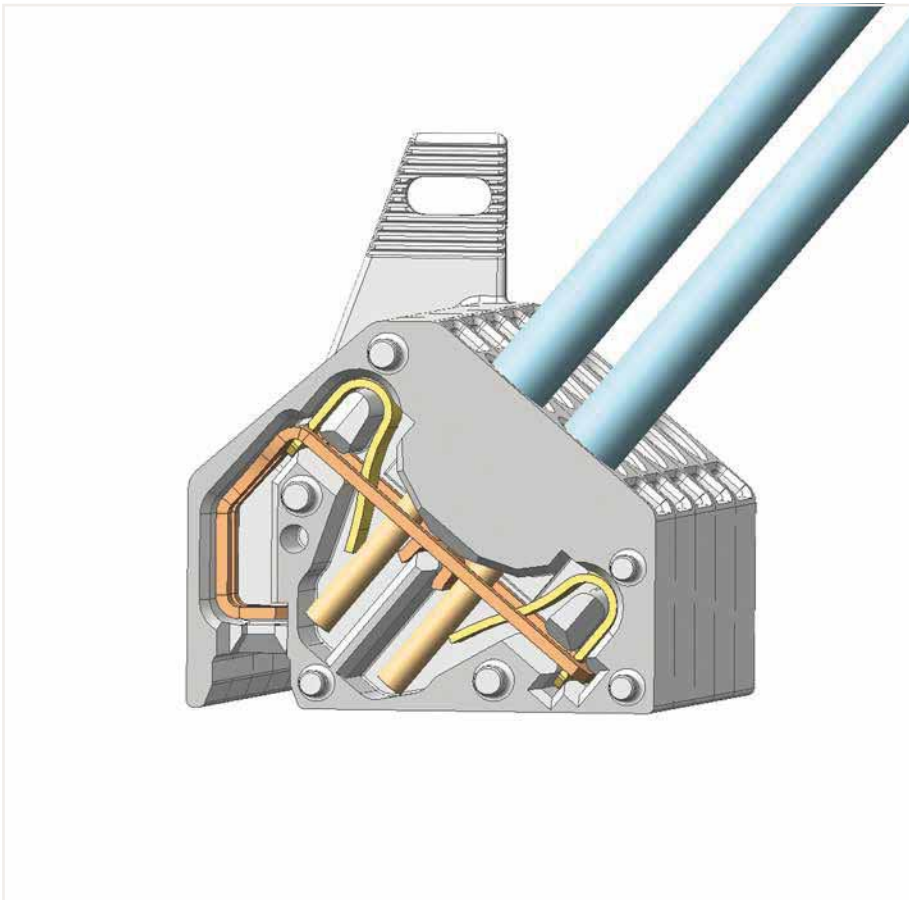
Inserting solid conductors via push-in termination.  
Inserting/removing fine-stranded conductors: Open the clamping unit using a screwdriver and insert a stripped conductor until it hits backstop.



Conductor termination directly on the PCB or wiring prior to mounting on PCB



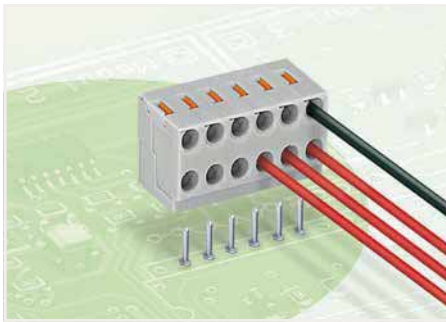
Mixed-color PCB connector strips (with or without spacer) are available upon request.



806 Series

## 2-Conductor PCB Connector ▶ 252 Series

PUSH WIRE® ▶ Actuation type: Push-button ▶ 0.8 mm<sup>2</sup> ▶ Pin spacing: 3.5 mm (0.138 inch) ▶ Terminal strip ▶ Color: gray



- Compact, 2-conductor PCB connectors with push-buttons and PUSH WIRE® connection
- Push-in termination of solid conductors – conductor removal via push-buttons
- Double entries for power supply and distribution
- Quick and easy PCB replacement
- Loop connection is retained, even when unmated
- Group arrangement is possible without losing any poles

### Electrical Data

Pin spacing	3.5 mm (0.138 inch)		
Ratings per	IEC/EN 60664-1		
Overvoltage category	III	III	II
Pollution degree	3	2	2
Rated voltage	320 V	320 V	630 V
Rated impulse voltage	4 kV	4 kV	4 kV
Rated current	2 A	2 A	2 A
Approvals per	UL 1059		
Use Group	B	C	D
Rated voltage	300 V	-	300 V
Rated current	2 A	-	2 A

### Connection Data

Connection technology	PUSH WIRE®
Strip length	6 ... 7 mm / 0.24 ... 0.28 inch
Conductor entry angle to the PCB	0°
Solid conductor	0.4 ... 0.8 mm <sup>2</sup> / 26 ... 20 AWG
Conductor diameter	0.4 ... 0.8 mm / 26 ... 20 AWG

### Material Data

Material group	I
Insulating material	Polyamide 66 (PA 66)
Flammability class per UL94	V0
Clamping spring material	Copper alloy
Contact plating	Tin-plated

### Environmental Requirements

Limit temperature range	-60 ... +105 °C
-------------------------	-----------------

Marking Page 832

Tools Page 838

Additional information, see "Technical Section"

Approvals and corresponding ratings, visit [www.wago.com](http://www.wago.com)

## 2-Conductor PCB Connector ▶ 252 Series

PUSH WIRE® ▶ Actuation type: Push-button ▶ 0.8 mm<sup>2</sup> ▶ Pin spacing: 3.5 mm (0.138 inch) ▶ Terminal strip ▶ Color: gray

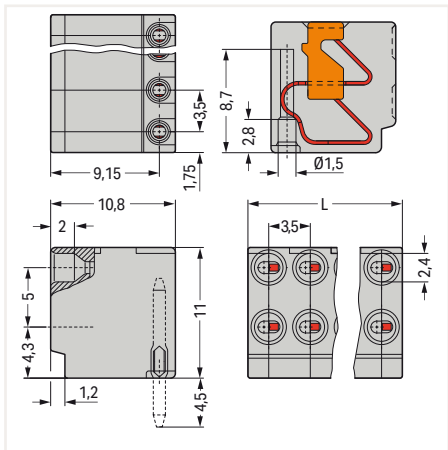
for individual solder pins

for solder pin strips

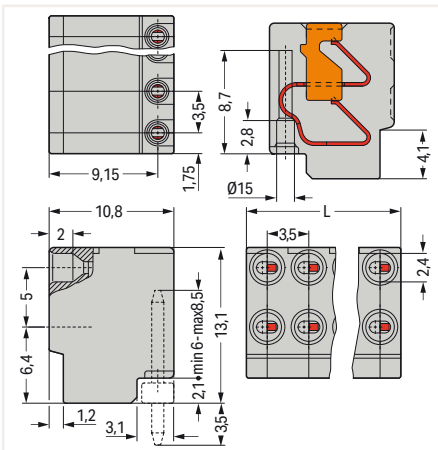


Pole No.	Item No.	PU (SPU)
2	252-102	600 (100)
3	252-103	400 (100)
4	252-104	300 (100)
5	252-105	300 (100)
6	252-106	200 (100)
7	252-107	200 (100)
8	252-108	200 (50)
9	252-109	200 (50)
10	252-110	150 (50)

Pole No.	Item No.	PU (SPU)
2	252-152	600 (100)
3	252-153	400 (100)
4	252-154	300 (100)
5	252-155	300 (100)
6	252-156	200 (100)
7	252-157	200 (100)
8	252-158	200 (50)
9	252-159	200 (50)
10	252-160	150 (50)



L = pole no. x pin spacing



L = pole no. x pin spacing

### Item-Specific Accessories

### Item-Specific Accessories



Solder pin; Solder pin diameter: 1mm; for PCBs up to 2 mm thick

Pole No.	Item No.	PU
1	243-131	1000



Solder pin; Solder pin diameter: 1mm; pin spacing 3.5 mm / 0.138 inch

Pole No.	Item No.	PU
2	252-902	500
3	252-903	500
4	252-904	500
5	252-905	500
6	252-906	500
7	252-907	500
8	252-908	500
9	252-909	500
10	252-910	500



Solder pin; Solder pin diameter: 1mm

Pole No.	Item No.	PU
4	252-954	1000

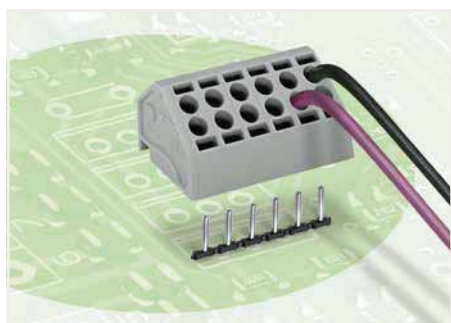
PU = Packaging Unit; SPU = Subpackaging Unit; Dimensions in mm

Other variants can be requested via the WAGO sales department or, if necessary, configured at <https://configurator.wago.com/>:

- Other pole numbers
- Direct marking

## 2-Conductor PCB Connector ▶ 806 Series

Push-in CAGE CLAMP® ▶ Actuation type: Operating tool ▶ 1.5 mm<sup>2</sup> ▶ Pin spacing: 5 mm (0.197 inch) ▶ Terminal strip ▶ Color: gray



- Compact, 2-conductor PCB connector strips (pinstrip pluggable) with Push-in CAGE CLAMP® connection and screwdriver-actuation
- Push-in termination of solid and ferruled conductors
- Double entries for power supply and potential distribution
- Quick and easy PCB replacement, without disrupting looped-through potentials

### Electrical Data

Pin spacing	5 mm (0.197 inch)		
Ratings per	IEC/EN 60664-1		
Overvoltage category	III	III	II
Pollution degree	3	2	2
Rated voltage	250 V	320 V	630 V
Rated impulse voltage	4 kV	4 kV	4 kV
Rated current	10 A	10 A	10 A
Approvals per	UL 1059		
Use Group	B	C	D
Rated voltage	300 V	-	300 V
Rated current	10 A	-	10 A
Approvals per	CSA		
Use Group	B	C	D
Rated voltage	300 V	-	-
Rated current	10 A	-	-

### Connection Data

Connection technology	Push-in CAGE CLAMP®
Strip length	9 ... 10 mm / 0.35 ... 0.39 inch
Conductor entry angle to the PCB	45 °
Solid conductor	0.2 ... 1.5 mm <sup>2</sup> / 24 ... 16 AWG
Fine-stranded conductor	0.2 ... 1.5 mm <sup>2</sup> / 24 ... 16 AWG
Fine-stranded conductor with ferrule with plastic collar	0.25 ... 1 mm <sup>2</sup>
Fine-stranded conductor with ferrule without plastic collar	0.25 ... 1 mm <sup>2</sup>

### Material Data

Material group	I
Insulating material	Polyamide 66 (PA 66)
Flammability class per UL94	V0
Clamping spring material	Chrome nickel spring steel (CrNi)
Contact material	Copper alloy
Contact plating	Tin-plated

### Mechanical Data

Solder pin diameter	1 mm
---------------------	------

### Environmental Requirements

Limit temperature range	-60 ... +105 °C
-------------------------	-----------------

Ferrule Page 847

Marking Page 833

Tools Page 838

Additional information, see "Technical Section"

Approvals and corresponding ratings, visit [www.wago.com](http://www.wago.com)

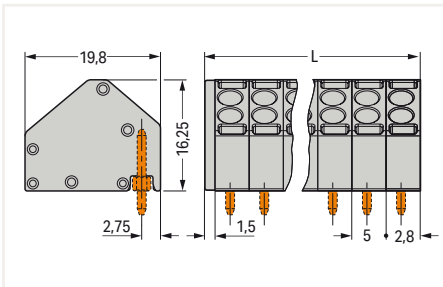
## 2-Conductor PCB Connector ▶ 806 Series

Push-in CAGE CLAMP® ▶ Actuation type: Operating tool ▶ 1.5 mm<sup>2</sup> ▶ Pin spacing: 5 mm (0.197 inch) ▶ Terminal strip ▶ Color: gray

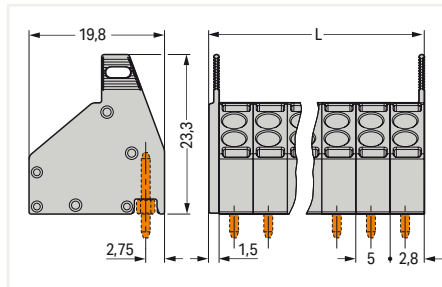
with removable aid



Pole No.	Item No.	PU	Pole No.	Item No.	PU
2	806-102	400	2	806-202	704
3	806-103	250	3	806-203	484
4	806-104	200	4	806-204	352
5	806-105	175	5	806-205	308
6	806-106	150	6	806-206	220
7	806-107	125	7	806-207	220
8	806-108	100	8	806-208	176
9	806-109	100	9	806-209	132
10	806-110	80	10	806-210	132
11	806-111	80	11	806-211	132
12	806-112	60	12	806-212	132



$L = (\text{pole no.} \times \text{pin spacing}) + 1.5 \text{ mm}$



$L = (\text{pole no.} \times \text{pin spacing}) + 1.5 \text{ mm}$

Accessories; for all products on this page



Solder pin; Solder pin diameter: 1mm; pin spacing 5 mm / 0.197 inch

Pole No.	Item No.	PU
2	806-902	100
3	806-903	100
4	806-904	100
5	806-905	100
6	806-906	100
7	806-907	100
8	806-908	100
9	806-909	100
10	806-910	100
11	806-911	100
12	806-912	100

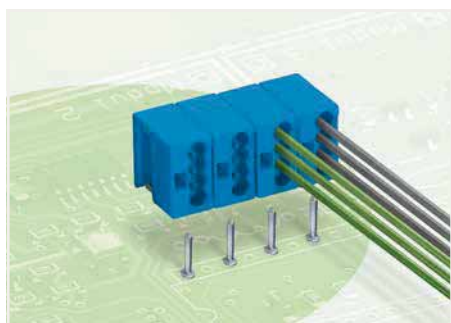
PU = Packaging Unit; SPU = Subpackaging Unit; Dimensions in mm

Other variants can be requested via the WAGO sales department or, if necessary, configured at <https://configurator.wago.com/>:

- Other pole numbers
- Other colors
- Mixed-color terminal strips
- Direct marking

## 4-Conductor PCB Connector ▶ 243 Series

PUSH WIRE® ▶ 1 mm<sup>2</sup> ▶ Pin spacing: 5.75 mm (0.226 inch)



- Compact, 4-conductor PCB connectors with PUSH WIRE® connection
- Can be assembled to connector strips via dovetail joints
- Push-in termination of solid conductors
- Four entries for power supply and potential distribution
- Quick and easy PCB replacement, without disrupting looped-through potentials

Electrical Data			
Pin spacing	5.75 mm (0.226 inch)		
Ratings per	IEC/EN 60664-1		
Overvoltage category	III	III	II
Pollution degree	3	2	2
Rated voltage	250 V	320 V	630 V
Rated impulse voltage	4 kV	4 kV	4 kV
Rated current	6 A	6 A	6 A
Approvals per	UL 1059		
Use Group	B	C	D
Rated voltage	150 V	-	150 V
Rated current	7 A	-	7 A
Approvals per	CSA		
Use Group	B	C	D
Rated voltage	150 V	-	150 V
Rated current	7 A	-	7 A
Connection Data			
Connection technology	PUSH WIRE®		
Strip length	5 ... 6 mm / 0.2 ... 0.24 inch		
Conductor entry angle to the PCB	0°		
Solid conductor	0.5 ... 1 mm <sup>2</sup> / 24 ... 18 AWG		
Conductor diameter	0.5 ... 1 mm / 24 ... 18 AWG		
Material Data			
Material group	I		
Insulating material	Polyamide 66 (PA 66)		
Flammability class per UL94	V0		
Clamping spring material	Copper alloy		
Contact plating	Tin-plated		
Mechanical Data			
Solder pin length	4.5 mm		
Solder pin diameter	1 mm		
Drilled hole diameter (tolerance)	1.2 <sup>+0.05 ... -0.05</sup> mm		
Environmental Requirements			
Limit temperature range	-60 ... +105 °C		

Marking Page 833

Additional information, see "Technical Section"

Approvals and corresponding ratings, visit [www.wago.com](http://www.wago.com)



# 4-Conductor PCB Connector ▶ 243 Series

## PUSH WIRE® ▶ 1 mm<sup>2</sup> ▶ Pin spacing: 5.75 mm (0.226 inch)

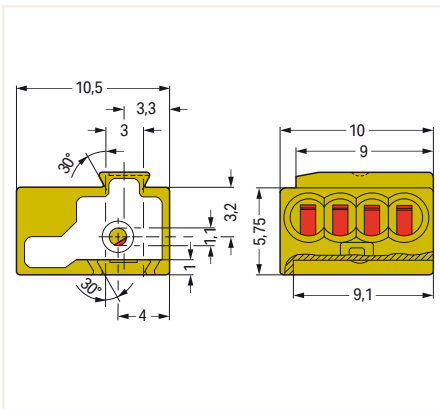
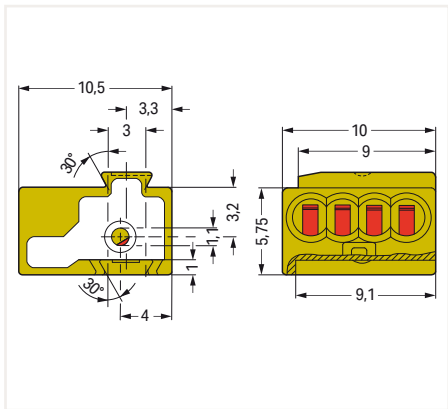
Modular terminal block

Terminal strip



Color	Item No.	PU
gray	243-721	400
blue	243-722	400
orange	243-723	400
light gray	243-726	400
light green	243-724	400
dark gray	243-725	400

Color	Pole No.	Item No.	PU (SPU)
gray	4	243-744/000-007	50
blue	2	243-742/000-006	50
blue	4	243-744/000-006	50
blue	5	243-745/000-006	400 (50)
blue	6	243-746/000-006	50
orange	2	243-742/000-012	50
orange	3	243-743/000-012	50
orange	4	243-744/000-012	50
orange	5	243-745/000-012	400 (50)
light green	2	243-742	50
light green	3	243-743	50
light green	4	243-744	50
light green	5	243-745	50
light green	6	243-746	50
light green	7	243-747	50
light green	8	243-748	50



Accessories; for all products on this page



Solder pin; Solder pin diameter: 1mm; for PCBs up to 2 mm thick

Pole No.	Item No.	PU
1	243-131	1000

PU = Packaging Unit; SPU = Subpackaging Unit; Dimensions in mm








Other variants can be requested via the WAGO sales department or, if necessary, configured at <https://configurator.wago.com/>:

- Other pole numbers
- Other colors
- Mixed-color terminal strips
- Direct marking



# WAGO Feedthrough Terminal Blocks

# WAGO Feedthrough Terminal Blocks

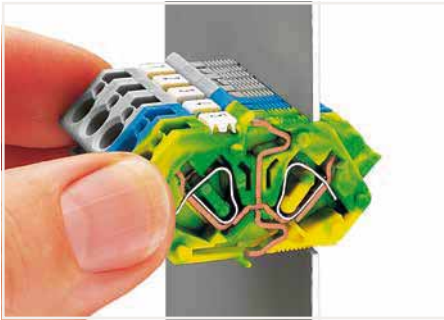
		Nominal cross-section	Series	Pages
	Modular, Panel Feedthrough end Terminal Blocks ▶ Actuation type: Operating tool ▶ CAGE CLAMP®	4 mm <sup>2</sup>	826	772
	Feedthrough Terminal Blocks ▶ Actuation type: Operating tool ▶ CAGE CLAMP®	4 mm <sup>2</sup>	226	776
	Feedthrough Terminal Blocks ▶ Actuation type: Lever ▶ CAGE CLAMP®	16 mm <sup>2</sup>	828	786
	PCB Terminal Blocks ▶ Actuation type: Push-button ▶ CAGE CLAMP®	2.5 mm <sup>2</sup>	741	788
	PCB Terminal Blocks ▶ Actuation type: Operating tool ▶ CAGE CLAMP®	2.5 mm <sup>2</sup>	231	796
	1-Conductor Feedthrough Terminal Strips ▶ Actuation type: Operating tool ▶ CAGE CLAMP®	2.5 mm <sup>2</sup>	731	800
	Accessories and Tools			829

# Feedthrough Terminal Blocks

## 826 Series

### Description and Installation

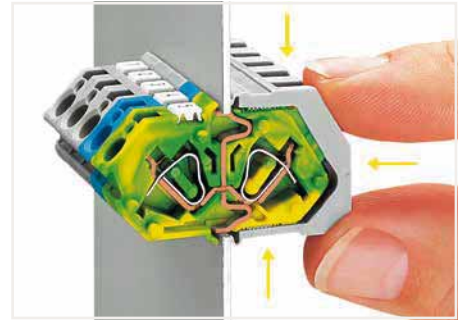
CAGE CLAMP®



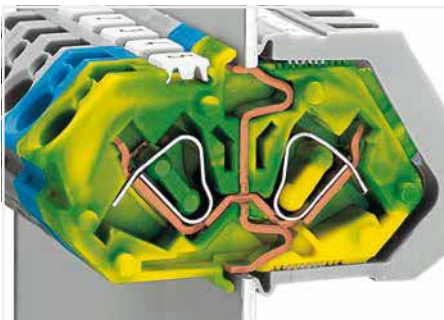
Insert the terminal strip into the cutout until the stop hits the enclosure wall.



Secure the terminal strip to the inner side of the cutout via retaining clips.



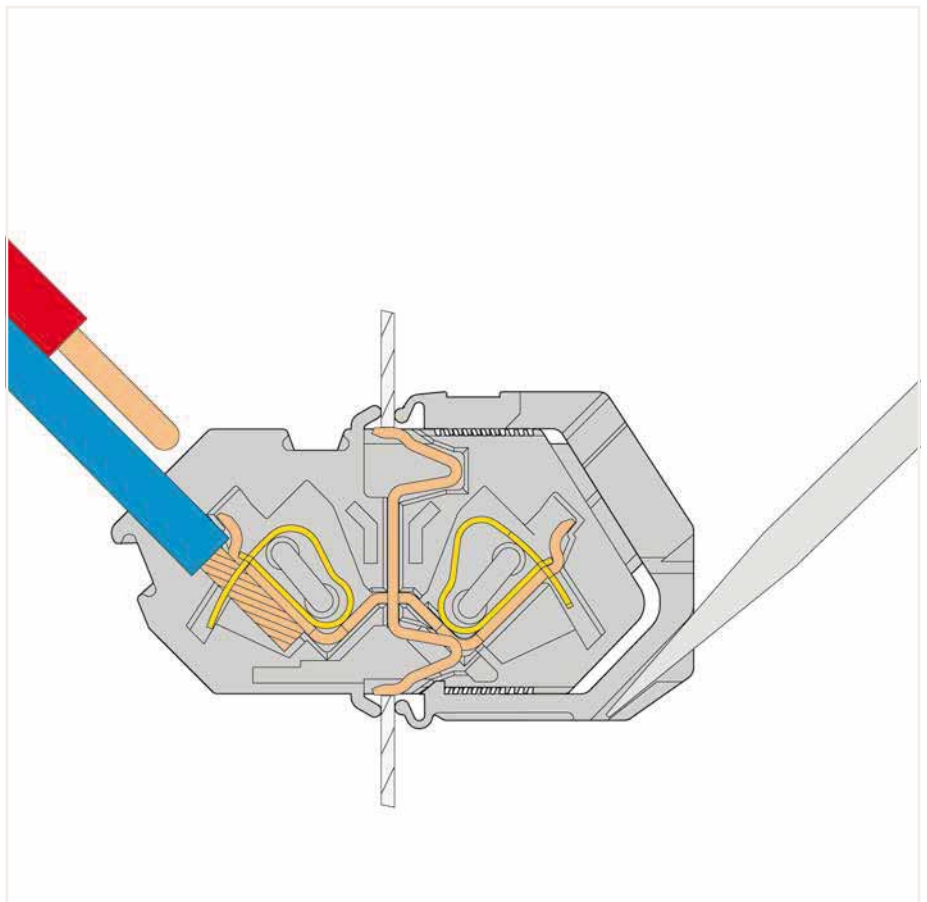
Push retaining clips until stop and press together in the direction of the terminal strip center.



Automatic, double contact of the ground contact to the enclosure wall



Inserting a conductor via screwdriver.

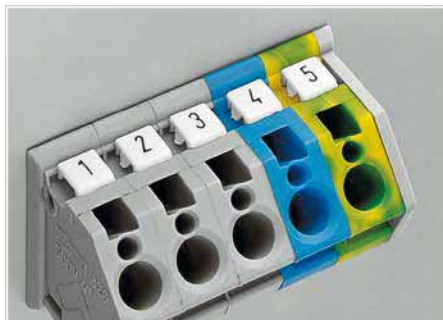


826 Series

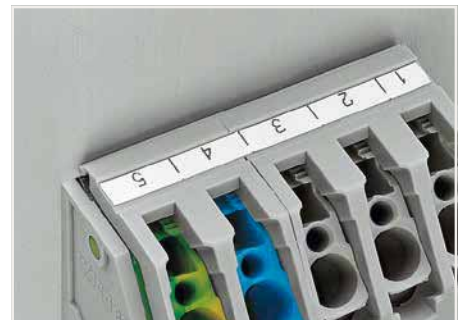
12



Testing with 2 mm or 2.3 mm Ø test plug.



Labeling via Mini-WSB makers – directly on the terminal blocks.

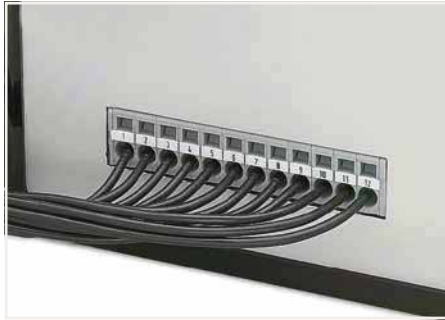


Self-adhesive marking strips adhere directly on the retaining clips.

# Feedthrough Terminal Blocks 231, 731 and 226 Series Description and Installation



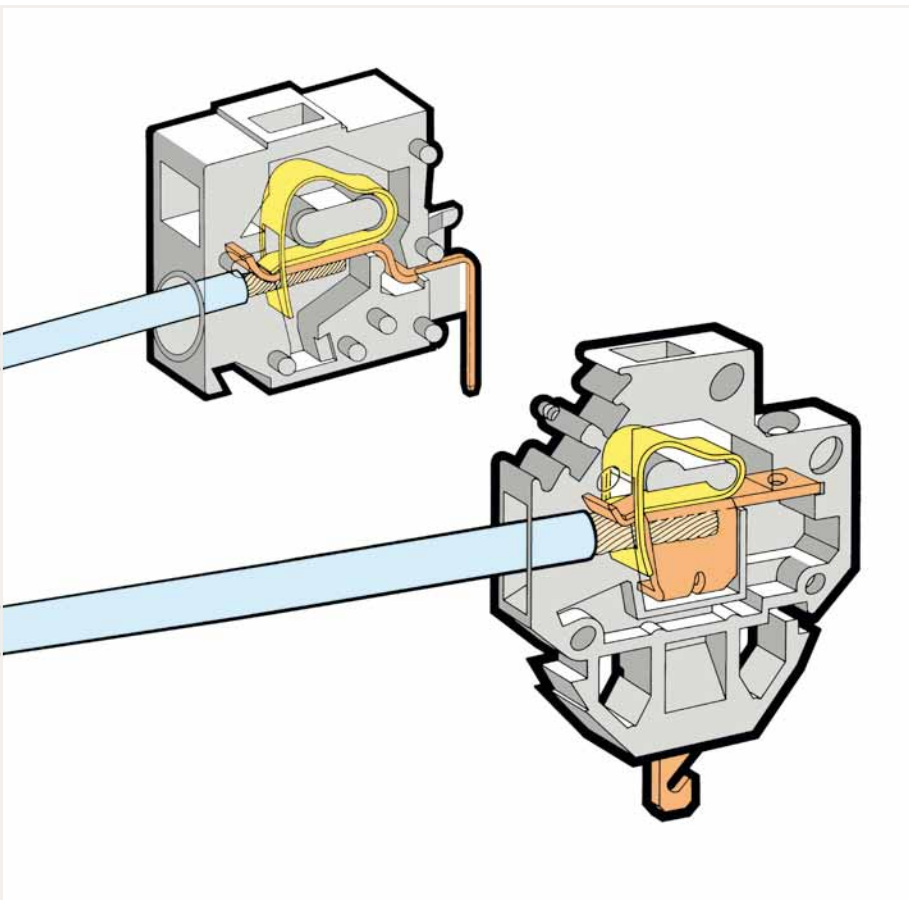
Feedthrough PCB terminal strips – front-entry conductor termination



Feedthrough PCB terminal strips can be used as front-panel feedthrough for external conductor termination.



With flanges for PCB or front-panel mounting – either flush with enclosure or protruding



231, 731 and 226 Series

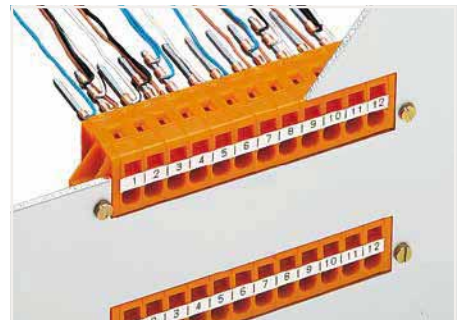
12



Snapping a 226 Series Feedthrough Terminal Block into the cutout.



Testing with 2 mm Ø test plug – touch contact.



Feedthrough terminal strips with mounting flanges

## Feedthrough Terminal Block ▶ 826 Series

CAGE CLAMP® ▶ Actuation type: Operating tool ▶ Mounting type: Locking claw ▶ 4 mm<sup>2</sup> ▶ Pin spacing: 7 mm (0.276 inch) ▶ Color: gray



- Feedthrough terminal blocks with screwdriver-actuated CAGE CLAMP® on both sides
- Easy, tool-free installation
- Direct ground contact with enclosure/panel
- Test ports available on both sides

Electrical Data			
Pin spacing	7 mm (0.276 inch)		
Ratings per	IEC/EN 60664-1		
Overvoltage category	III	III	II
Pollution degree	3	2	2
Rated voltage	320 V	320 V	630 V
Rated impulse voltage	4 kV	4 kV	4 kV
Rated current	32 A	32 A	32 A
Approvals per	UL 1059		
Use Group	B	C	D
Rated voltage	300 V	150 V	300 V
Rated current	20 A	20 A	10 A
Approvals per	CSA		
Use Group	B	C	D
Rated voltage	300 V	150 V	300 V
Rated current	20 A	20 A	10 A
Connection Data			
Connection technology	CAGE CLAMP®		
Strip length	9 ... 10 mm / 0.35 ... 0.39 inch		
Solid conductor	0.08 ... 4 mm <sup>2</sup> / 28 ... 12 AWG		
Fine-stranded conductor	0.08 ... 4 mm <sup>2</sup> / 28 ... 12 AWG		
Fine-stranded conductor with ferrule with plastic collar	0.25 ... 2.5 mm <sup>2</sup>		
Fine-stranded conductor with ferrule without plastic collar	0.25 ... 2.5 mm <sup>2</sup>		
Material Data			
Material group	I		
Insulating material	Polyamide 66 (PA 66)		
Flammability class per UL94	V0		
Clamping spring material	Chrome nickel spring steel (CrNi)		
Contact material	Electrolytic copper (Ecu)		
Contact plating	Tin-plated		
Environmental Requirements			
Limit temperature range	-60 ... +105 °C		

Ferrule	Page 847
Marking	Page 833
Testing and measuring	Page 854
Tools	Page 838
Additional information, see "Technical Section"	
Approvals and corresponding ratings, visit <a href="http://www.wago.com">www.wago.com</a>	

## Feedthrough Terminal Block ▶ 826 Series

CAGE CLAMP® ▶ Actuation type: Operating tool ▶ Mounting type: Locking claw ▶ 4 mm<sup>2</sup> ▶ Pin spacing: 7 mm (0.276 inch) ▶ Color: gray

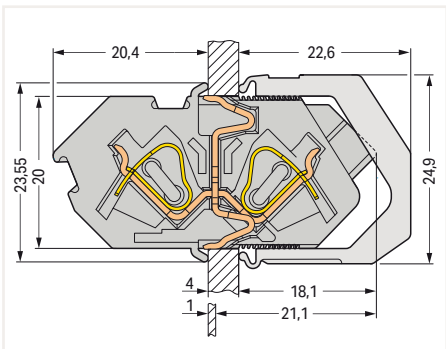
Modular terminal block

Modular terminal block ▶ Included inklusive Abschlussplatte

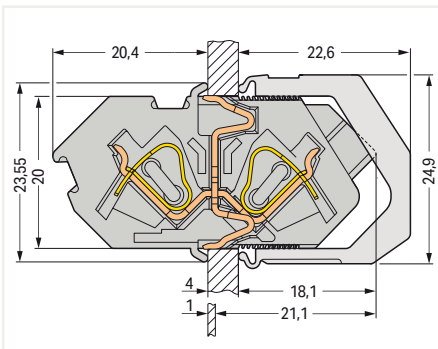


Color	Item No.	PU (SPU)
● gray	826-160	50 (25)

Color	Item No.	PU (SPU)
● gray	826-159	50 (25)



Cut-out dimensions: H = 20.1\*0.1 mm; L = (pole no. x 7 mm) + 1.6\*0.1 mm



Cut-out dimensions: H = 20.1\*0.1 mm; L = (pole no. x 7 mm) + 1.6\*0.1 mm

### Accessories; for all products on this page



Retaining clip, as replacement; Color gray		
Pole No.	Item No.	PU (SPU)
2	826-155	50 (25)
3	826-156	50 (25)
4	826-157	50 (25)

End plate; 1.5 mm		
Color	Item No.	PU (SPU)
● gray	826-158	100 (25)
● blue	826-158/000-006	100 (25)
● green-yellow	826-158/000-016	100 (25)

PU = Packaging Unit; SPU = Subpackaging Unit; Dimensions in mm

Other variants can be requested via the WAGO sales department or, if necessary, configured at <https://configurator.wago.com/>:

- Other pole numbers
- Other colors
- Direct marking

## Feedthrough Terminal Block ▶ 826 Series

CAGE CLAMP® ▶ Actuation type: Operating tool ▶ Mounting type: Locking claw ▶ 4 mm<sup>2</sup> ▶ Pin spacing: 7 mm (0.276 inch) ▶ Color: gray

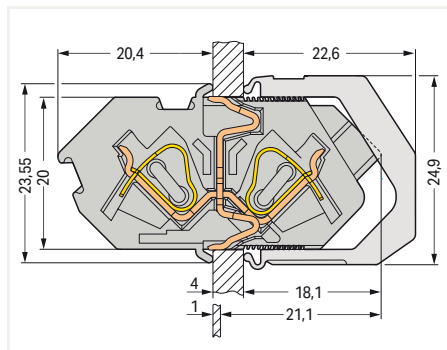
Modular terminal block ▶ Included inklusive Abschlussplatte und Rastkappe

Terminal strip ▶ Included inklusive Abschlussplatte und Rastkappe

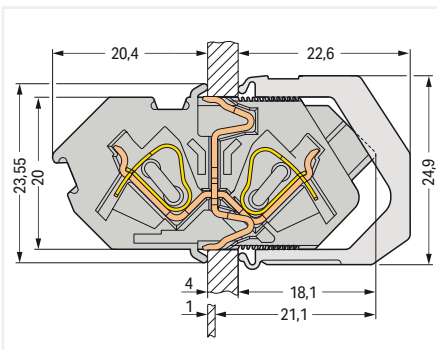


Color	Item No.	PU
● gray	826-161	50

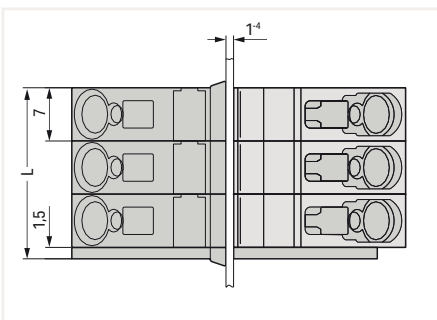
Pole No.	Item No.	PU
2	826-162	50
3	826-163	50
4	826-164	50
5	826-165	50
6	826-166	50
7	826-167	25
8	826-168	25
9	826-169	25
10	826-170	25
11	826-171	10
12	826-172	10



Cut-out dimensions: H = 20.1\*0.1 mm; L = (pole no. x 7 mm) + 1.6\*0.1 mm



Cut-out dimensions: H = 20.1\*0.1 mm; L = (pole no. x 7 mm) + 1.6\*0.1 mm



L = (pole no. x 7 mm) + 1.6 mm

12

PU = Packaging Unit; SPU = Subpackaging Unit; Dimensions in mm

Other variants can be requested via the WAGO sales department or, if necessary, configured at <https://configurator.wago.com/>:

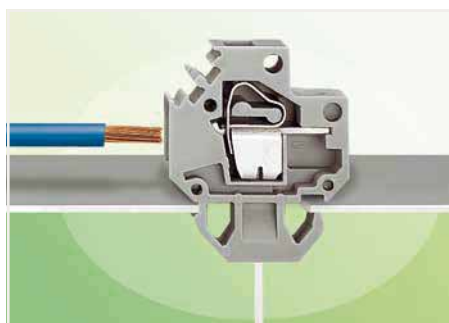
- Other pole numbers
- Other colors
- Direct marking





## Feedthrough Terminal Block ▶ 226 Series

CAGE CLAMP® ▶ Wire-wrap pin ▶ Actuation type: Operating tool ▶ Mounting type: Snap-in mounting foot ▶ 4 mm<sup>2</sup> ▶ Pin spacing: 6 mm (0.236 inch) ▶ Modular terminal block ▶ Color: gray



- Modular feedthrough terminal blocks with screwdriver-actuated CAGE CLAMP®
- Tool-free insertion into sheet metal cutout
- Conductor entry parallel to enclosure wall saves space

Electrical Data			
Pin spacing	6 mm (0.236 inch)		
Ratings per	IEC/EN 60664-1		
Overvoltage category	III	III	II
Pollution degree	3	2	2
Rated voltage	320 V	320 V	630 V
Rated impulse voltage	4 kV	4 kV	4 kV
Rated current	4 A	4 A	4 A
Approvals per	UL 1059		
Use Group	B	C	D
Rated voltage	300 V	300 V	600 V
Rated current	4 A	4 A	4 A
Approvals per	CSA		
Use Group	B	C	D
Rated voltage	300 V	300 V	600 V
Rated current	4 A	4 A	4 A

Connection Data	
Connection technology	CAGE CLAMP®
Number of connection points (connection type)	1
Strip length	9 ... 10 mm / 0.35 ... 0.39 inch
Solid conductor	0.08 ... 4 mm <sup>2</sup> / 28 ... 12 AWG
Fine-stranded conductor	0.08 ... 4 mm <sup>2</sup> / 28 ... 12 AWG
Fine-stranded conductor with ferrule with plastic collar	0.25 ... 2.5 mm <sup>2</sup>
Fine-stranded conductor with ferrule without plastic collar	0.25 ... 2.5 mm <sup>2</sup>
Connection technology 2	Wire-wrap pin
Number of connection points	1

Material Data	
Material group	I
Insulating material	Polyamide 66 (PA 66)
Flammability class per UL94	V0
Clamping spring material	Chrome nickel spring steel (CrNi)
Contact material	Electrolytic copper (Ecu)
Contact plating	Tin-plated

Environmental Requirements	
Limit temperature range	-60 ... +105 °C

Ferrule Page 847

Testing and measuring Page 854

Tools Page 838

Additional information, see "Technical Section"

Approvals and corresponding ratings, visit [www.wago.com](http://www.wago.com)

### Feedthrough Terminal Block ▶ 226 Series

CAGE CLAMP® ▶ Wire-wrap pin ▶ Actuation type: Operating tool ▶ Mounting type: Snap-in mounting foot ▶ 4 mm<sup>2</sup> ▶ Pin spacing: 6 mm (0.236 inch) ▶ Modular terminal block ▶ Color: gray

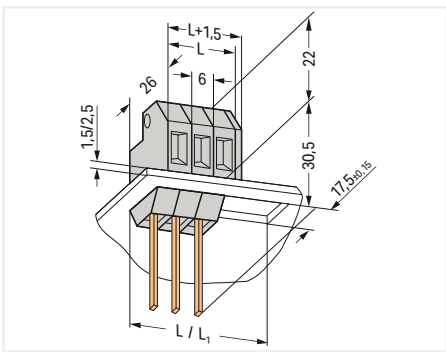
Housing sheet thickness (max.): 1.5 mm

Housing sheet thickness (max.): 2.5 mm

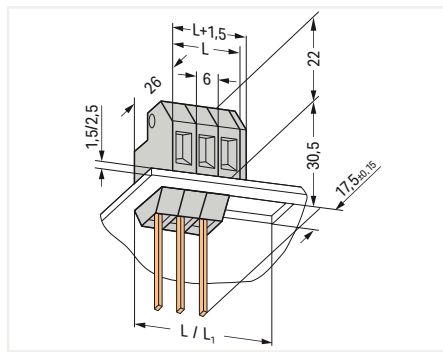


Color	Item No.	PU
● gray	226-102	150

Color	Item No.	PU
● gray	226-112	150



L = pole no. x 6 mm  
L<sub>1</sub> = L + 1.5 mm



L = pole no. x 6 mm  
L<sub>1</sub> = L + 1.5 mm

Accessories; for all products on this page



intermediate plate; 6 mm; Feed-through mounting; Color gray		
Housing sheet thickness (max.)	Item No.	PU (SPU)
1.5 mm	226-109	100 (25)
2.5 mm	226-119	100 (25)



End plate, 1.5 mm, Design long		
Color	Item No.	PU (SPU)
● gray	226-110	100 (25)

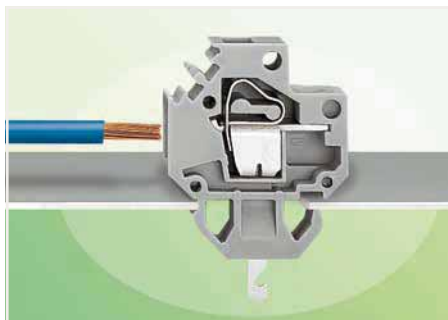


End plate, 1.5 mm, Design short		
Color	Item No.	PU (SPU)
● gray	226-120	100 (25)

PU = Packaging Unit; SPU = Subpackaging Unit; Dimensions in mm

## Feedthrough Terminal Block ▶ 226 Series

CAGE CLAMP® ▶ Solder contact ▶ Quick connect contact ▶ Actuation type: Operating tool ▶  
Mounting type: Snap-in mounting foot ▶ 4 mm<sup>2</sup> ▶ Pin spacing: 6 mm (0.236 inch) ▶ Modular terminal block ▶ Color: gray



- Modular feedthrough terminal blocks with screwdriver-actuated CAGE CLAMP®
- Tool-free insertion into sheet metal cutout
- Conductor entry parallel to enclosure wall saves space

### Electrical Data

Pin spacing	6 mm (0.236 inch)		
Solder contact			
Ratings per	IEC/EN 60664-1		
Overtoltage category	III	III	II
Pollution degree	3	2	2
Rated voltage	320 V	320 V	630 V
Rated impulse voltage	4 kV	4 kV	4 kV
Rated current	20 A	20 A	20 A

Quick connect contact			
Ratings per	IEC/EN 60664-1		
Overtoltage category	III	III	II
Pollution degree	3	2	2
Rated voltage	4 kV	4 kV	4 kV
Rated impulse voltage	320 V	320 V	630 V
Rated current	6 A	6 A	6 A

Solder contact / Quick connect contact			
Approvals per	UL 1059		
Use Group	B	C	D
Rated voltage	300 V	300 V	600 V
Rated current	6 A	6 A	5 A

Approvals per	CSA		
Use Group	B	C	D
Rated voltage	300 V	300 V	600 V
Rated current	6 A	6 A	5 A

### Connection Data

Connection technology	CAGE CLAMP®
Number of connection points (connection type)	1
Strip length	9 ... 10 mm / 0.35 ... 0.39 inch
Solid conductor	0.08 ... 4 mm <sup>2</sup> / 28 ... 12 AWG
Fine-stranded conductor	0.08 ... 4 mm <sup>2</sup> / 28 ... 12 AWG
Fine-stranded conductor with ferrule with plastic collar	0.25 ... 2.5 mm <sup>2</sup>
Fine-stranded conductor with ferrule without plastic collar	0.25 ... 2.5 mm <sup>2</sup>
Connection technology 2	Solder contact
Number of connection points	1
Connection technology 3	Quick connect contact

### Material Data

Material group	I
Insulating material	Polyamide 66 (PA 66)
Flammability class per UL94	V0
Clamping spring material	Chrome nickel spring steel (CrNi)
Contact material	Electrolytic copper (Ecu)
Contact plating	Tin-plated

### Environmental Requirements

Limit temperature range	-60 ... +105 °C
-------------------------	-----------------

Ferrule Page 847

Testing and measuring Page 854

Tools Page 838

Additional information, see "Technical Section"

Approvals and corresponding ratings, visit [www.wago.com](http://www.wago.com)

### Feedthrough Terminal Block ▶ 226 Series

CAGE CLAMP® ▶ Solder contact ▶ Quick connect contact ▶ Actuation type: Operating tool ▶ Mounting type: Snap-in mounting foot ▶ 4 mm<sup>2</sup> ▶ Pin spacing: 6 mm (0.236 inch) ▶ Modular terminal block ▶ Color: gray

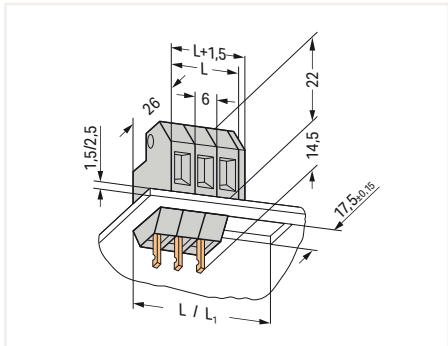
Housing sheet thickness (max.): 1.5 mm

Housing sheet thickness (max.): 2.5 mm

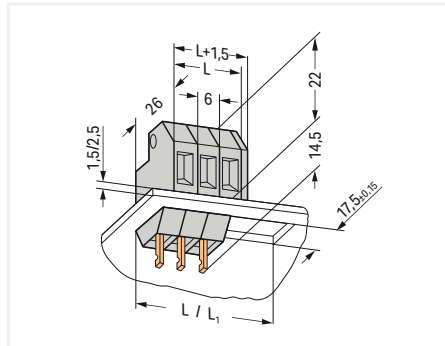


Item No.	PU
226-101	200
226-104	200

Item No.	PU
226-111	200
226-114	200



L = pole number x 6 mm  
L<sub>1</sub> = L + 1.5 mm



L = pole number x 6 mm  
L<sub>1</sub> = L + 1.5 mm

Accessories; for all products on this page



intermediate plate; 6 mm; Feed-through mounting; Color gray		
Housing sheet thickness (max.)	Item No.	PU (SPU)
1.5 mm	226-109	100 (25)
2.5 mm	226-119	100 (25)



End plate, 1.5 mm, Design long		
Color	Item No.	PU (SPU)
● gray	226-110	100 (25)



End plate, 1.5 mm, Design short		
Color	Item No.	PU (SPU)
● gray	226-120	100 (25)

PU = Packaging Unit; SPU = Subpackaging Unit; Dimensions in mm

## Ground Conductor Feedthrough Terminal Block ▶ 226 Series

CAGE CLAMP® ▶ Solder contact ▶ Quick connect contact ▶ Actuation type: Operating tool ▶ Mounting type: Snap-in mounting foot ▶ 4 mm<sup>2</sup> ▶ Pin spacing: 6 mm (0.236 inch) ▶ Modular terminal block ▶ Housing sheet thickness (max.): 1.5 mm ▶ Color: green-yellow



- Modular feedthrough terminal blocks with screwdriver-actuated CAGE CLAMP®
- Tool-free insertion into sheet metal cutout
- Conductor entry parallel to enclosure wall saves space

### Electrical Data

Pin spacing	6 mm (0.236 inch)		
Solder contact			
Ratings per	IEC/EN 60664-1		
Overtoltage category	III	III	II
Pollution degree	3	2	2
Rated voltage	320 V	320 V	630 V
Rated impulse voltage	4 kV	4 kV	4 kV
Rated current	20 A	20 A	20 A

Quick connect contact			
Ratings per	IEC/EN 60664-1		
Overtoltage category	III	III	II
Pollution degree	3	2	2
Rated voltage	4 kV	4 kV	4 kV
Rated impulse voltage	320 V	320 V	630 V
Rated current	6 A	6 A	6 A

Solder contact / Quick connect contact			
Approvals per	UL 1059		
Use Group	B	C	D
Rated voltage	300 V	300 V	600 V
Rated current	6 A	6 A	5 A

Approvals per	CSA		
Use Group	B	C	D
Rated voltage	300 V	300 V	600 V
Rated current	6 A	6 A	5 A

### Connection Data

Connection technology	CAGE CLAMP®
Number of connection points (connection type)	1
Strip length	9 ... 10 mm / 0.35 ... 0.39 inch
Solid conductor	0.08 ... 4 mm <sup>2</sup> / 28 ... 12 AWG
Fine-stranded conductor	0.08 ... 4 mm <sup>2</sup> / 28 ... 12 AWG
Fine-stranded conductor with ferrule with plastic collar	0.25 ... 2.5 mm <sup>2</sup>
Fine-stranded conductor with ferrule without plastic collar	0.25 ... 2.5 mm <sup>2</sup>
Connection technology 2	Solder contact
Number of connection points	1
Connection technology 3	Quick connect contact

### Material Data

Material group	I
Insulating material	Polyamide 66 (PA 66)
Flammability class per UL94	V0
Clamping spring material	Chrome nickel spring steel (CrNi)
Contact material	Electrolytic copper (Ecu)
Contact plating	Tin-plated

### Environmental Requirements

Limit temperature range	-60 ... +105 °C
-------------------------	-----------------

Ferrule [Page 847](#)

Testing and measuring [Page 854](#)

Tools [Page 838](#)

Additional information, see "Technical Section"

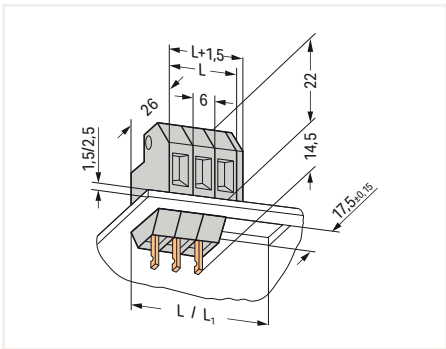
Approvals and corresponding ratings, visit [www.wago.com](http://www.wago.com)

### Ground Conductor Feedthrough Terminal Block ▶ 226 Series

CAGE CLAMP® ▶ Solder contact ▶ Quick connect contact ▶ Actuation type: Operating tool ▶ Mounting type: Snap-in mounting foot ▶ 4 mm<sup>2</sup> ▶ Pin spacing: 6 mm (0.236 inch) ▶ Modular terminal block ▶ Housing sheet thickness (max.): 1.5 mm ▶ Color: green-yellow



Color	Item No.	PU
● green-yellow	226-107	200



L = pole number x 6 mm  
L<sub>1</sub> = L + 1.5 mm

Accessories; for all products on this page



intermediate plate; 6 mm; Feed-through mounting; Color gray		
Housing sheet thickness (max.)	Item No.	PU (SPU)
1.5 mm	226-109	100 (25)
2.5 mm	226-119	100 (25)



End plate, 1.5 mm, Design long		
Color	Item No.	PU (SPU)
● gray	226-110	100 (25)

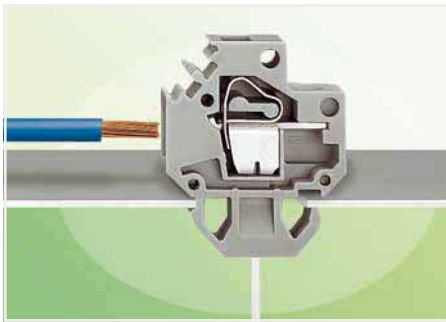


End plate, 1.5 mm, Design short		
Color	Item No.	PU (SPU)
● gray	226-120	100 (25)

PU = Packaging Unit; SPU = Subpackaging Unit; Dimensions in mm

## Feedthrough terminal block ▶ 226 Series

CAGE CLAMP® ▶ Contact pin ▶ Actuation type: Operating tool ▶ Mounting type: Snap-in mounting foot ▶ 4 mm<sup>2</sup> ▶ Pin spacing: 6 mm (0.236 inch) ▶ Modular terminal block ▶ Color: gray



- Modular feedthrough terminal blocks with screwdriver-actuated CAGE CLAMP®
- Tool-free insertion into sheet metal cutout
- Conductor entry parallel to enclosure wall saves space

Electrical Data			
Pin spacing	6 mm (0.236 inch)		
Ratings per	IEC/EN 60664-1		
Overvoltage category	III	III	II
Pollution degree	3	2	2
Rated voltage	320 V	320 V	630 V
Rated impulse voltage	4 kV	4 kV	4 kV
Rated current	4 A	4 A	4 A
Approvals per	UL 1059		
Use Group	B	C	D
Rated voltage	300 V	300 V	600 V
Rated current	4 A	4 A	4 A
Approvals per	CSA		
Use Group	B	C	D
Rated voltage	300 V	300 V	600 V
Rated current	4 A	4 A	4 A

Connection Data	
Connection technology	CAGE CLAMP®
Number of connection points (connection type)	1
Strip length	9 ... 10 mm / 0.35 ... 0.39 inch
Solid conductor	0.08 ... 4 mm <sup>2</sup> / 28 ... 12 AWG
Fine-stranded conductor	0.08 ... 4 mm <sup>2</sup> / 28 ... 12 AWG
Fine-stranded conductor with ferrule with plastic collar	0.25 ... 2.5 mm <sup>2</sup>
Fine-stranded conductor with ferrule without plastic collar	0.25 ... 2.5 mm <sup>2</sup>
Connection technology 2	Contact pin
Number of connection points	1

Material Data	
Material group	I
Insulating material	Polyamide 66 (PA 66)
Flammability class per UL94	V0
Clamping spring material	Chrome nickel spring steel (CrNi)
Contact material	Electrolytic copper (Ecu)
Contact plating	Tin-plated

Environmental Requirements	
Limit temperature range	-60 ... +105 °C

Ferrule	Page 847
Testing and measuring	Page 854
Tools	Page 838
Additional information, see "Technical Section"	
Approvals and corresponding ratings, visit <a href="http://www.wago.com">www.wago.com</a>	



### Feedthrough terminal block ▶ 226 Series

CAGE CLAMP® ▶ Contact pin ▶ Actuation type: Operating tool ▶ Mounting type: Snap-in mounting foot ▶ 4 mm<sup>2</sup> ▶ Pin spacing: 6 mm (0.236 inch) ▶ Modular terminal block ▶ Color: gray

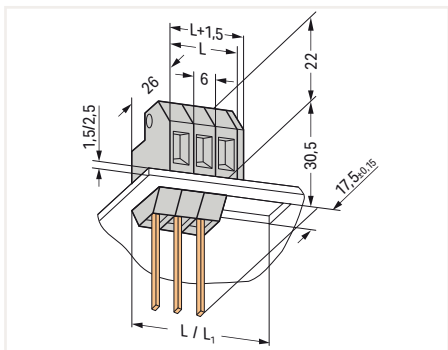
Housing sheet thickness (max.): 1.5 mm

Housing sheet thickness (max.): 2.5 mm

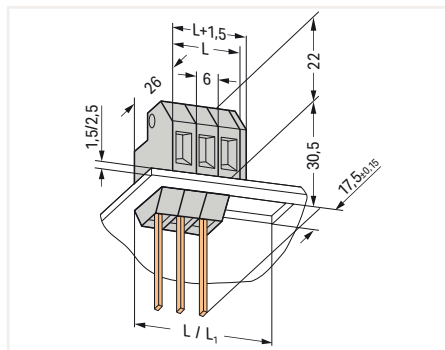


Color	Item No.	PU
● gray	226-103	150

Color	Item No.	PU
● gray	226-113	150



L = pole no. x 6 mm  
L<sub>1</sub> = L + 1.5 mm



L = pole no. x 6 mm  
L<sub>1</sub> = L + 1.5 mm

Accessories; for all products on this page



intermediate plate; 6 mm; Feed-through mounting; Color gray		
Housing sheet thickness (max.)	Item No.	PU (SPU)
1.5 mm	226-109	100 (25)
2.5 mm	226-119	100 (25)



End plate, 1.5 mm, Design long		
Color	Item No.	PU (SPU)
● gray	226-110	100 (25)



End plate, 1.5 mm, Design short		
Color	Item No.	PU (SPU)
● gray	226-120	100 (25)

PU = Packaging Unit; SPU = Subpackaging Unit; Dimensions in mm

## Ground Conductor Feedthrough Terminal Block ▶ 226 Series

CAGE CLAMP® ▶ Actuation type: Operating tool ▶ with direct GND contact ▶ Mounting type: Snap-in mounting foot ▶ 4 mm<sup>2</sup> ▶ Pin spacing: 6 mm (0.236 inch) ▶ Modular terminal block ▶ Housing sheet thickness (max.): 1.5 mm ▶ Color: green-yellow



- Modular feedthrough terminal blocks with screwdriver-actuated CAGE CLAMP®
- Tool-free insertion into sheet metal cutout
- Conductor entry parallel to enclosure wall saves space

### Connection Data

Connection technology	CAGE CLAMP®
Number of connection points (connection type)	1
Strip length	9 ... 10 mm / 0.35 ... 0.39 inch
Solid conductor	0.08 ... 4 mm <sup>2</sup> / 28 ... 12 AWG
Fine-stranded conductor	0.08 ... 4 mm <sup>2</sup> / 28 ... 12 AWG
Fine-stranded conductor with ferrule with plastic collar	0.25 ... 2.5 mm <sup>2</sup>
Fine-stranded conductor with ferrule without plastic collar	0.25 ... 2.5 mm <sup>2</sup>
Number of connection points	1

### Material Data

Material group	I
Insulating material	Polyamide 66 (PA 66)
Flammability class per UL94	V0
Clamping spring material	Chrome nickel spring steel (CrNi)
Contact material	Electrolytic copper (Ecu)
Contact plating	Tin-plated

### Environmental Requirements

Limit temperature range	-60 ... +105 °C
-------------------------	-----------------

Ferrule [Page 847](#)

Testing and measuring [Page 854](#)

Tools [Page 838](#)

Additional information, see "Technical Section"

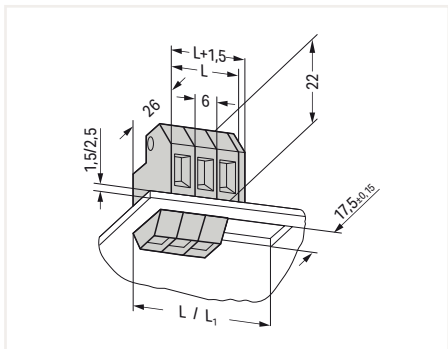
Approvals and corresponding ratings, visit [www.wago.com](http://www.wago.com)

### Ground Conductor Feedthrough Terminal Block ▶ 226 Series

CAGE CLAMP® ▶ Actuation type: Operating tool ▶ with direct GND contact ▶ Mounting type: Snap-in mounting foot ▶ 4 mm<sup>2</sup> ▶ Pin spacing: 6 mm (0.236 inch) ▶ Modular terminal block ▶ Housing sheet thickness (max.): 1.5 mm ▶ Color: green-yellow



Color	Item No.	PU
● green-yellow	226-108	200



L = pole number x 6 mm  
L<sub>1</sub> = L + 1.5 mm

Accessories; for all products on this page



intermediate plate; 6 mm; Feed-through mounting; Color gray		
Housing sheet thickness (max.)	Item No.	PU (SPU)
1.5 mm	226-109	100 (25)
2.5 mm	226-119	100 (25)



End plate, 1.5 mm, Design long		
Color	Item No.	PU (SPU)
● gray	226-110	100 (25)

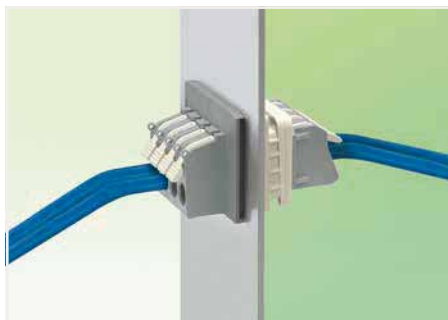


End plate, 1.5 mm, Design short		
Color	Item No.	PU (SPU)
● gray	226-120	100 (25)

PU = Packaging Unit; SPU = Subpackaging Unit; Dimensions in mm

## Feedthrough Terminal Block ▶ 828 Series

CAGE CLAMP® ▶ Actuation type: Lever ▶ Mounting type: Locking claw ▶ 16 mm<sup>2</sup> ▶ Pin spacing: 11.5 mm (0.453 inch) ▶ Terminal strip ▶ Housing sheet thickness (max.): 3 mm ▶ Color: gray



- Panel feedthrough terminal blocks with screwdriver-actuated CAGE CLAMP® on both sides
- Easy, tool-free installation
- Tool-free termination – fingers open/close levers
- Several clamping units can be held open simultaneously – convenient for terminating multi-core cables
- 600 V UL

Electrical Data			
Pin spacing	11.5 mm (0.453 inch)		
Ratings per	IEC/EN 60664-1		
Overvoltage category	III	III	II
Pollution degree	3	2	2
Rated voltage	1000 V	1000 V	1000 V
Rated impulse voltage	8 kV	8 kV	8 kV
Rated current	41 A	41 A	41 A
Approvals per	UL 1059		
Use Group	B	C	D
Rated voltage	600 V	600 V	-
Rated current	30 A	30 A	-
Approvals per	CSA		
Use Group	B	C	D
Rated voltage	600 V	600 V	-
Rated current	30 A	30 A	-
Connection Data			
Connection technology	CAGE CLAMP®		
Strip length	12 ... 13 mm / 0.47 ... 0.51 inch		
Solid conductor	1.5 ... 16 mm <sup>2</sup> / 16 ... 6 AWG		
Fine-stranded conductor	1.5 ... 16 mm <sup>2</sup> / 16 ... 6 AWG		
Fine-stranded conductor with ferrule with plastic collar	1.5 ... 10 mm <sup>2</sup>		
Fine-stranded conductor with ferrule without plastic collar	1.5 ... 10 mm <sup>2</sup>		
Material Data			
Material group	I		
Insulating material	Polyamide 66 (PA 66)		
Flammability class per UL94	V0		
Clamping spring material	Chrome nickel spring steel (CrNi)		
Contact material	Electrolytic copper (Ecu)		
Contact plating	Tin-plated		
Environmental Requirements			
Limit temperature range	-60 ... +105 °C		

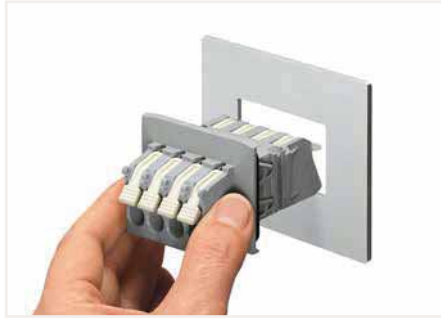
Ferrule Page 847

Additional information, see "Technical Section"

Approvals and corresponding ratings, visit [www.wago.com](http://www.wago.com)

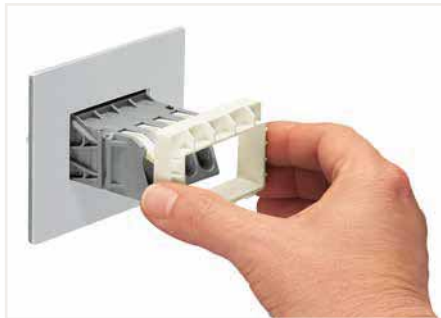
### Feedthrough Terminal Block ▶ 828 Series

CAGE CLAMP® ▶ Actuation type: Lever ▶ Mounting type: Locking claw ▶ 16 mm<sup>2</sup> ▶ Pin spacing: 11.5 mm (0.453 inch) ▶ Terminal strip ▶ Housing sheet thickness (max.): 3 mm ▶ Color: gray

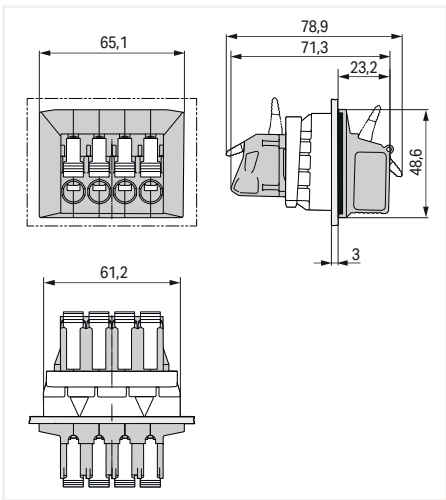


Insert terminal strip from the outside.

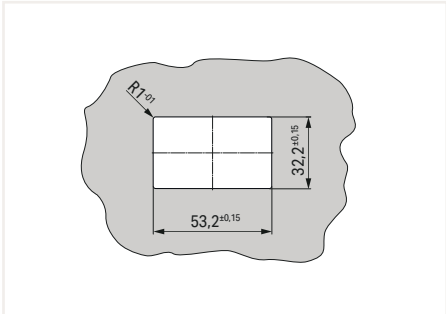
Color	Pole No.	Item No.	PU
● gray	4	828-334	15



Snap the panel thickness adapter on from the inside.



Secure to panel via locking clip.



Mounted feedthrough terminal strip (as seen from inside)

PU = Packaging Unit; SPU = Subpackaging Unit; Dimensions in mm

Other variants can be requested via the WAGO sales department or, if necessary, configured at <https://configurator.wago.com/>:

- Other pole numbers
- Adapters for varying sheet panel thicknesses
- Direct marking

## Feedthrough PCB Terminal Block ▶ 741 Series

CAGE CLAMP® ▶ Actuation type: Push-button ▶ 2.5 mm<sup>2</sup> ▶ Terminal strip ▶ Color: gray



- Feedthrough terminal blocks with push-button actuated CAGE CLAMP®
- Simple, push-button wiring
- Test slot integrated into upper-portion of conductor entry for test pins

Electrical Data									
Pin spacing	5 mm (0.197 inch)			7.5 mm (0.295 inch)			10 mm (0.394 inch)		
Ratings per	IEC/EN 60664-1			IEC/EN 60664-1			IEC/EN 60664-1		
Overvoltage category	III	III	II	III	III	II	III	III	II
Pollution degree	3	2	2	3	2	2	3	2	2
Rated voltage	250 V	320 V	630 V	400 V	630 V	1000 V	630 V	1000 V	1000 V
Rated impulse voltage	4 kV	4 kV	4 kV	6 kV	6 kV	6 kV	8 kV	8 kV	8 kV
Rated current	16 A	16 A	16 A	16 A	16 A	16 A	16 A	16 A	16 A
Approvals per	UL 1059			UL 1059			UL 1059		
Use Group	B	C	D	B	C	D	B	C	D
Rated voltage	300 V	-	300 V	300 V	-	300 V	300 V	-	300 V
Rated current	10 A	-	10 A	10 A	-	10 A	10 A	-	10 A
Approvals per	CSA			CSA			CSA		
Use Group	B	C	D	B	C	D	B	C	D
Rated voltage	300 V	-	300 V	300 V	-	300 V	300 V	-	300 V
Rated current	16 A	-	10 A	16 A	-	10 A	16 A	-	10 A
Connection Data									
Connection technology	CAGE CLAMP®								
Strip length	5 ... 6 mm / 0.2 ... 0.24 inch								
Conductor entry angle to the PCB	0°								
Solid conductor	0.08 ... 2.5 mm <sup>2</sup> / 28 ... 12 AWG								
Fine-stranded conductor	0.08 ... 2.5 mm <sup>2</sup> / 28 ... 12 AWG								
Fine-stranded conductor with ferrule with plastic collar	0.25 ... 1.5 mm <sup>2</sup>								
Fine-stranded conductor with ferrule without plastic collar	0.25 ... 1.5 mm <sup>2</sup>								
Material Data									
Material group	I								
Insulating material	Polyamide 66 (PA 66)								
Flammability class per UL94	V0								
Clamping spring material	Chrome nickel spring steel (CrNi)								
Contact material	Electrolytic copper (Ecu)								
Contact plating	Tin-plated								
Mechanical Data									
Solder pin arrangement	Over the entire terminal strip, in line								
Solder pin length	4 mm								
Solder pin dimensions	0.7 x 0.7 mm								
Drilled hole diameter (tolerance)	1.1 <sup>(+0.1)</sup> mm								
Environmental Requirements									
Limit temperature range	-60 ... +105 °C								

Ferrule Page 847

Marking Page 833

Tools Page 838

Additional information, see "Technical Section"

Approvals and corresponding ratings, visit [www.wago.com](http://www.wago.com)

# Feedthrough PCB Terminal Block ▶ 741 Series

## CAGE CLAMP® ▶ Actuation type: Push-button ▶ 2.5 mm<sup>2</sup> ▶ Terminal strip ▶ Color: gray

Pin spacing: 5 mm (0.197 inch)

Pin spacing: 7.5 mm (0.295 inch)

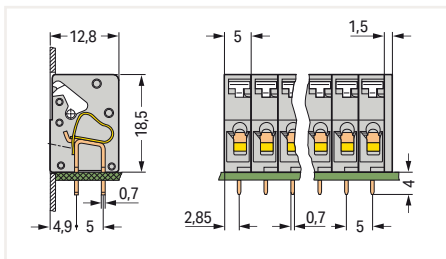
Pin spacing: 10 mm (0.394 inch)



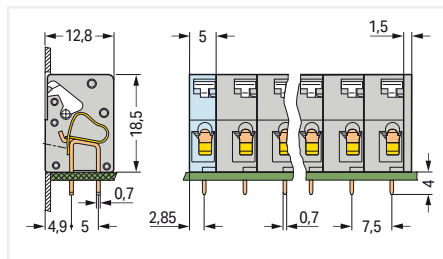
Pole No.	Item No.	PU (SPU)
2	741-102	400 (100)
3	741-103	280 (70)
4	741-104	220 (55)
5	741-105	180 (45)
6	741-106	140 (35)
7	741-107	120 (30)
8	741-108	100 (25)
9	741-109	100 (25)
10	741-110	80 (20)
12	741-112	60 (15)
16	741-116	40 (10)

Pole No.	Item No.	PU (SPU)
2	741-302	340 (85)
3	741-303	220 (55)
4	741-304	160 (40)
5	741-305	120 (30)
6	741-306	100 (25)
7	741-307	80 (20)
8	741-308	80 (20)
9	741-309	60 (15)
10	741-310	60 (15)

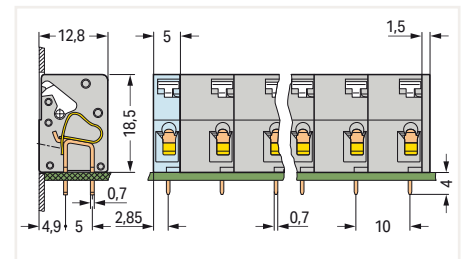
Pole No.	Item No.	PU (SPU)
2	741-502	280 (70)
3	741-503	160 (40)
4	741-504	120 (30)
5	741-505	100 (25)
6	741-506	80 (20)
7	741-507	60 (15)
8	741-508	60 (15)



Total length = pole no. x pin spacing + 1.5 mm



Total length = (pole no. - 1) x pin spacing + 5 mm + 1.5 mm



Total length = (pole no. - 1) x pin spacing + 5 mm + 1.5 mm

PU = Packaging Unit; SPU = Subpackaging Unit; Dimensions in mm

Other variants can be requested via the WAGO sales department or, if necessary, configured at <https://configurator.wago.com/>:

- Other pole numbers
- Other colors
- Direct marking

## Feedthrough PCB Terminal Block ▶ 741 Series

CAGE CLAMP® ▶ Actuation type: Push-button ▶ Mounting type: Mounting flange ▶ 2.5 mm<sup>2</sup> ▶ Terminal strip ▶ Color: gray



- Feedthrough PCB terminal strips with push-button actuated CAGE CLAMP®
- Simple, push-button wiring
- Test slot integrated into upper-portion of conductor entry for test pins
- Mounting flanges for additional mechanical stability

Electrical Data									
Pin spacing	5 mm (0.197 inch)			7.5 mm (0.295 inch)			10 mm (0.394 inch)		
Ratings per	IEC/EN 60664-1			IEC/EN 60664-1			IEC/EN 60664-1		
Overvoltage category	III	III	II	III	III	II	III	III	II
Pollution degree	3	2	2	3	2	2	3	2	2
Rated voltage	250 V	320 V	630 V	400 V	630 V	1000 V	630 V	1000 V	1000 V
Rated impulse voltage	4 kV	4 kV	4 kV	6 kV	6 kV	6 kV	8 kV	8 kV	8 kV
Rated current	16 A	16 A	16 A	16 A	16 A	16 A	16 A	16 A	16 A
Approvals per	UL 1059			UL 1059			UL 1059		
Use Group	B	C	D	B	C	D	B	C	D
Rated voltage	300 V	-	300 V	300 V	-	300 V	300 V	-	300 V
Rated current	10 A	-	10 A	10 A	-	10 A	10 A	-	10 A
Approvals per	CSA			CSA			CSA		
Use Group	B	C	D	B	C	D	B	C	D
Rated voltage	300 V	-	300 V	300 V	-	300 V	300 V	-	300 V
Rated current	16 A	-	10 A	16 A	-	10 A	16 A	-	10 A
Connection Data									
Connection technology	CAGE CLAMP®								
Strip length	5 ... 6 mm / 0.2 ... 0.24 inch								
Conductor entry angle to the PCB	0°								
Solid conductor	0.08 ... 2.5 mm <sup>2</sup> / 28 ... 12 AWG								
Fine-stranded conductor	0.08 ... 2.5 mm <sup>2</sup> / 28 ... 12 AWG								
Fine-stranded conductor with ferrule with plastic collar	0.25 ... 1.5 mm <sup>2</sup>								
Fine-stranded conductor with ferrule without plastic collar	0.25 ... 1.5 mm <sup>2</sup>								
Material Data									
Material group	I								
Insulating material	Polyamide 66 (PA 66)								
Flammability class per UL94	V0								
Clamping spring material	Chrome nickel spring steel (CrNi)								
Contact material	Electrolytic copper (Ecu)								
Contact plating	Tin-plated								
Mechanical Data									
Solder pin arrangement	Over the entire terminal strip, in line								
Solder pin length	4 mm								
Solder pin dimensions	0.7 x 0.7 mm								
Drilled hole diameter (tolerance)	1.1 <sup>(+0.1)</sup> mm								
Environmental Requirements									
Limit temperature range	-60 ... +105 °C								

Ferrule Page 847

Marking Page 833

Tools Page 838

Additional information, see "Technical Section"

Approvals and corresponding ratings, visit [www.wago.com](http://www.wago.com)



## Feedthrough PCB Terminal Block ▶ 741 Series

CAGE CLAMP® ▶ Actuation type: Push-button ▶ Mounting type: Mounting flange ▶ 2.5 mm<sup>2</sup> ▶ Terminal strip ▶ Color: gray

Pin spacing: 5 mm (0.197 inch)

Pin spacing: 7.5 mm (0.295 inch)

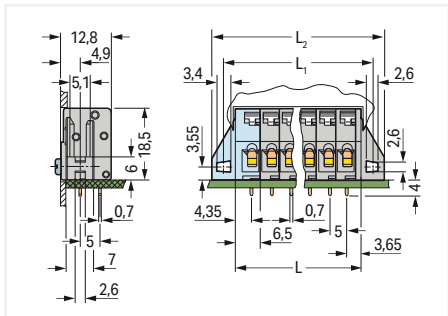
Pin spacing: 10 mm (0.394 inch)



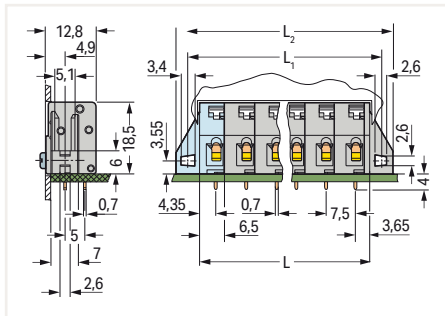
Pole No.	Item No.	PU (SPU)
2	741-132	180 (45)
3	741-133	160 (40)
4	741-134	140 (35)
5	741-135	120 (30)
6	741-136	100 (25)
7	741-137	80 (20)
8	741-138	80 (20)
9	741-139	80 (20)
10	741-140	60 (15)
12	741-142	60 (15)
16	741-146	40 (10)

Pole No.	Item No.	PU (SPU)
2	741-322	160 (40)
3	741-323	140 (35)
4	741-324	100 (25)
5	741-325	80 (20)
6	741-326	80 (20)
7	741-327	60 (15)
8	741-328	60 (15)
9	741-329	60 (15)
10	741-330	40 (10)

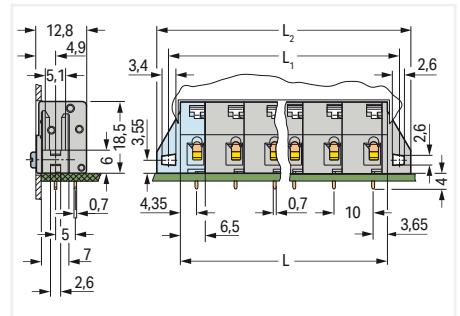
Pole No.	Item No.	PU (SPU)
2	741-522	160 (40)
3	741-523	120 (30)
4	741-524	80 (20)
5	741-525	80 (20)
6	741-526	60 (15)
7	741-527	60 (15)
8	741-528	40 (10)



$L = (\text{pole no.} - 1) \times \text{pin spacing} + 6.5 \text{ mm} + 1.5 \text{ mm}$   
 $L_1 = L + 5.8 \text{ mm}$   
 $L_2 = L_1 + 6.4 \text{ mm}$



$L = (\text{pole no.} - 1) \times \text{pin spacing} + 6.5 \text{ mm} + 1.5 \text{ mm}$   
 $L_1 = L + 5.8 \text{ mm}$   
 $L_2 = L_1 + 6.4 \text{ mm}$



$L = (\text{pole no.} - 1) \times \text{pin spacing} + 6.5 \text{ mm} + 1.5 \text{ mm}$   
 $L_1 = L + 5.8 \text{ mm}$   
 $L_2 = L_1 + 6.4 \text{ mm}$

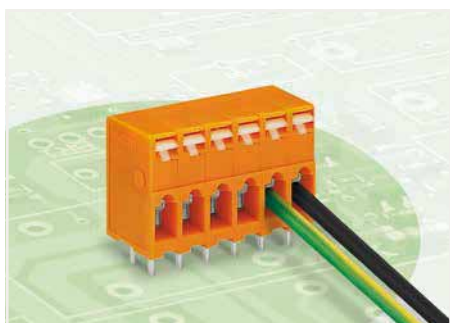
PU = Packaging Unit; SPU = Subpackaging Unit; Dimensions in mm

Other variants can be requested via the WAGO sales department or, if necessary, configured at <https://configurator.wago.com/>:

- Other pole numbers
- Other colors
- Direct marking

## Feedthrough PCB Terminal Block ▶ 741 Series

CAGE CLAMP® ▶ Actuation type: Push-button ▶ 2.5 mm<sup>2</sup> ▶ Terminal strip ▶ Color: orange



- Feedthrough terminal blocks with push-button actuated CAGE CLAMP®
- Simple, push-button wiring
- Test slot integrated into upper-portion of conductor entry for test pins

Electrical Data									
Pin spacing	5.08 mm (0.2 inch)			7.62 mm (0.3 inch)			10.16 mm (0.4 inch)		
Ratings per	IEC/EN 60664-1			IEC/EN 60664-1			IEC/EN 60664-1		
Overvoltage category	III	III	II	III	III	II	III	III	II
Pollution degree	3	2	2	3	2	2	3	2	2
Rated voltage	250 V	320 V	630 V	400 V	630 V	1000 V	630 V	1000 V	1000 V
Rated impulse voltage	4 kV	4 kV	4 kV	6 kV	6 kV	6 kV	8 kV	8 kV	8 kV
Rated current	16 A	16 A	16 A	16 A	16 A	16 A	16 A	16 A	16 A
Approvals per	UL 1059			UL 1059			UL 1059		
Use Group	B	C	D	B	C	D	B	C	D
Rated voltage	300 V	-	300 V	300 V	-	300 V	300 V	-	300 V
Rated current	10 A	-	10 A	10 A	-	10 A	10 A	-	10 A
Approvals per	CSA			CSA			CSA		
Use Group	B	C	D	B	C	D	B	C	D
Rated voltage	300 V	-	300 V	300 V	-	300 V	300 V	-	300 V
Rated current	16 A	-	10 A	16 A	-	10 A	16 A	-	10 A
Connection Data									
Connection technology	CAGE CLAMP®								
Strip length	5 ... 6 mm / 0.2 ... 0.24 inch								
Conductor entry angle to the PCB	0°								
Solid conductor	0.08 ... 2.5 mm <sup>2</sup> / 28 ... 12 AWG								
Fine-stranded conductor	0.08 ... 2.5 mm <sup>2</sup> / 28 ... 12 AWG								
Fine-stranded conductor with ferrule with plastic collar	0.25 ... 1.5 mm <sup>2</sup>								
Fine-stranded conductor with ferrule without plastic collar	0.25 ... 1.5 mm <sup>2</sup>								
Material Data									
Material group	I								
Insulating material	Polyamide 66 (PA 66)								
Flammability class per UL94	V0								
Clamping spring material	Chrome nickel spring steel (CrNi)								
Contact material	Electrolytic copper (Ecu)								
Contact plating	Tin-plated								
Mechanical Data									
Solder pin arrangement	Over the entire terminal strip, in line								
Solder pin length	4 mm								
Solder pin dimensions	0.7 x 0.7 mm								
Drilled hole diameter (tolerance)	1.1 <sup>(±0.1)</sup> mm								
Environmental Requirements									
Limit temperature range	-60 ... +105 °C								

Ferrule Page 847

Marking Page 833

Tools Page 838

Additional information, see "Technical Section"

Approvals and corresponding ratings, visit [www.wago.com](http://www.wago.com)

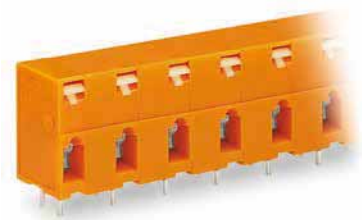
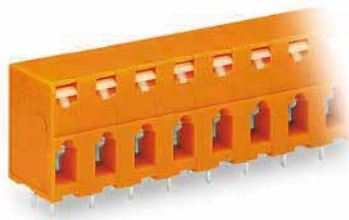
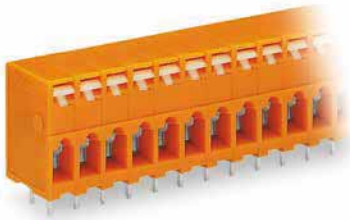
# Feedthrough PCB Terminal Block ▶ 741 Series

## CAGE CLAMP® ▶ Actuation type: Push-button ▶ 2.5 mm<sup>2</sup> ▶ Terminal strip ▶ Color: orange

Pin spacing: 5.08 mm (0.2 inch)

Pin spacing: 7.62 mm (0.3 inch)

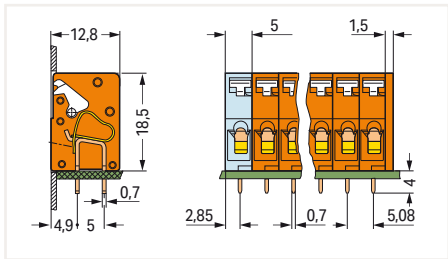
Pin spacing: 10.16 mm (0.4 inch)



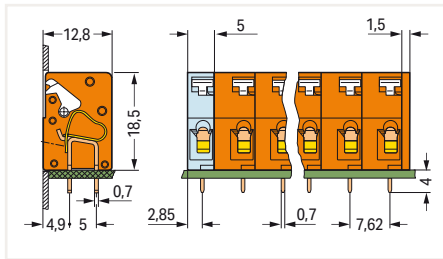
Pole No.	Item No.	PU (SPU)
2	741-202	400 (100)
3	741-203	280 (70)
4	741-204	220 (55)
5	741-205	160 (40)
6	741-206	140 (35)
7	741-207	120 (30)
8	741-208	100 (25)
9	741-209	100 (25)
10	741-210	80 (20)
12	741-212	60 (15)
16	741-216	40 (10)

Pole No.	Item No.	PU (SPU)
2	741-402	320 (80)
3	741-403	220 (55)
4	741-404	160 (40)
5	741-405	120 (30)
6	741-406	100 (25)
7	741-407	80 (20)
8	741-408	80 (20)
9	741-409	60 (15)
10	741-410	60 (15)

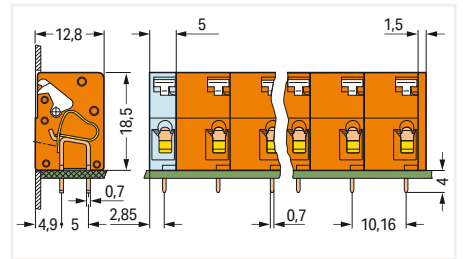
Pole No.	Item No.	PU (SPU)
2	741-602	280 (70)
3	741-603	160 (40)
4	741-604	120 (30)
5	741-605	100 (25)
6	741-606	80 (20)
7	741-607	60 (15)
8	741-608	60 (15)



Total length = (pole no. - 1) x pin spacing + 5 mm + 1.5 mm



Total length = (pole no. - 1) x pin spacing + 5 mm + 1.5 mm



Total length = (pole no. - 1) x pin spacing + 5 mm + 1.5 mm

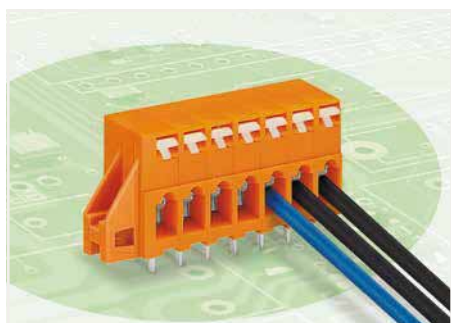
PU = Packaging Unit; SPU = Subpackaging Unit; Dimensions in mm

Other variants can be requested via the WAGO sales department or, if necessary, configured at <https://configurator.wago.com/>:

- Other pole numbers
- Other colors
- Direct marking

## Feedthrough PCB Terminal Block ▶ 741 Series

CAGE CLAMP® ▶ Actuation type: Push-button ▶ Mounting type: Mounting flange ▶ 2.5 mm<sup>2</sup> ▶ Terminal strip ▶ Color: orange



- Feedthrough terminal blocks with push-button actuated CAGE CLAMP®
- Simple, push-button wiring
- Test slot integrated into upper-portion of conductor entry for test pins

Electrical Data									
Pin spacing	5.08 mm (0.2 inch)			7.62 mm (0.3 inch)			10.16 mm (0.4 inch)		
Ratings per	IEC/EN 60664-1			IEC/EN 60664-1			IEC/EN 60664-1		
Overvoltage category	III	III	II	III	III	II	III	III	II
Pollution degree	3	2	2	3	2	2	3	2	2
Rated voltage	250 V	320 V	630 V	400 V	630 V	1000 V	630 V	1000 V	1000 V
Rated impulse voltage	4 kV	4 kV	4 kV	6 kV	6 kV	6 kV	8 kV	8 kV	8 kV
Rated current	16 A	16 A	16 A	16 A	16 A	16 A	16 A	16 A	16 A
Approvals per	UL 1059			UL 1059			UL 1059		
Use Group	B	C	D	B	C	D	B	C	D
Rated voltage	300 V	-	300 V	300 V	-	300 V	300 V	-	300 V
Rated current	10 A	-	10 A	10 A	-	10 A	10 A	-	10 A
Approvals per	CSA			CSA			CSA		
Use Group	B	C	D	B	C	D	B	C	D
Rated voltage	300 V	-	300 V	300 V	-	300 V	300 V	-	300 V
Rated current	16 A	-	10 A	16 A	-	10 A	16 A	-	10 A
Connection Data									
Connection technology	CAGE CLAMP®								
Strip length	5 ... 6 mm / 0.2 ... 0.24 inch								
Conductor entry angle to the PCB	0°								
Solid conductor	0.08 ... 2.5 mm <sup>2</sup> / 28 ... 12 AWG								
Fine-stranded conductor	0.08 ... 2.5 mm <sup>2</sup> / 28 ... 12 AWG								
Fine-stranded conductor with ferrule with plastic collar	0.25 ... 1.5 mm <sup>2</sup>								
Fine-stranded conductor with ferrule without plastic collar	0.25 ... 1.5 mm <sup>2</sup>								
Material Data									
Material group	I								
Insulating material	Polyamide 66 (PA 66)								
Flammability class per UL94	V0								
Clamping spring material	Chrome nickel spring steel (CrNi)								
Contact material	Electrolytic copper (Ecu)								
Contact plating	Tin-plated								
Mechanical Data									
Solder pin arrangement	Over the entire terminal strip, in line								
Solder pin length	4 mm								
Solder pin dimensions	0.7 x 0.7 mm								
Drilled hole diameter (tolerance)	1.1 <sup>(+0.1)</sup> mm								
Environmental Requirements									
Limit temperature range	-60 ... +105 °C								

Ferrule Page 847

Marking Page 833

Tools Page 838

Additional information, see "Technical Section"

Approvals and corresponding ratings, visit [www.wago.com](http://www.wago.com)

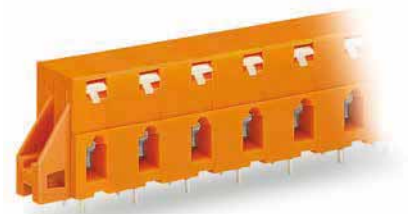
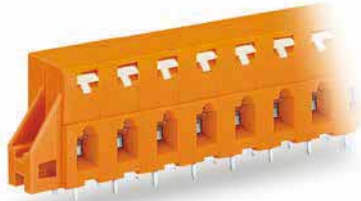
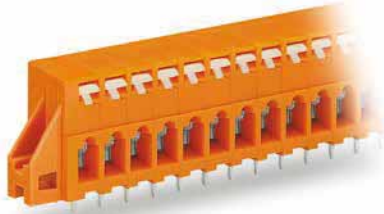
## Feedthrough PCB Terminal Block ▶ 741 Series

CAGE CLAMP® ▶ Actuation type: Push-button ▶ Mounting type: Mounting flange ▶ 2.5 mm<sup>2</sup> ▶ Terminal strip ▶ Color: orange

Pin spacing: 5.08 mm (0.2 inch)

Pin spacing: 7.62 mm (0.3 inch)

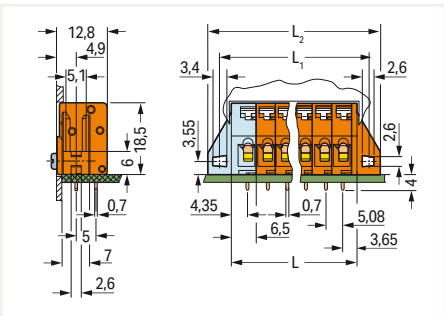
Pin spacing: 10.16 mm (0.4 inch)



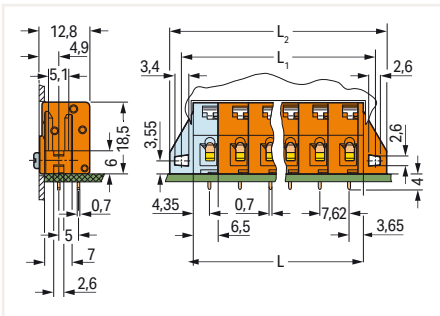
Pole No.	Item No.	PU (SPU)
2	741-232	180 (45)
3	741-233	160 (40)
4	741-234	120 (30)
5	741-235	120 (30)
6	741-236	100 (25)
7	741-237	80 (20)
8	741-238	80 (20)
9	741-239	80 (20)
10	741-240	60 (15)
12	741-242	60 (15)
16	741-246	40 (10)

Pole No.	Item No.	PU (SPU)
2	741-422	160 (40)
3	741-423	140 (35)
4	741-424	100 (25)
5	741-425	80 (20)
6	741-426	80 (20)
7	741-427	60 (15)
8	741-428	60 (15)
9	741-429	40 (10)
10	741-430	40 (10)

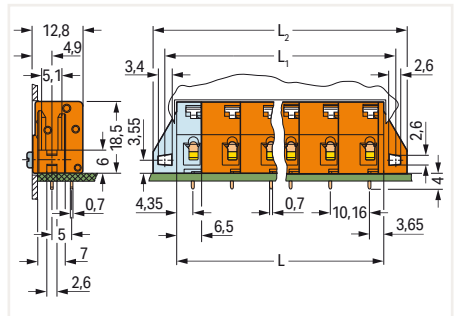
Pole No.	Item No.	PU (SPU)
2	741-622	160 (40)
3	741-623	120 (30)
4	741-624	80 (20)
5	741-625	80 (20)
6	741-626	60 (15)
7	741-627	40 (10)
8	741-628	40 (10)



$L = (\text{pole no.} - 1) \times \text{pin spacing} + 6.5 \text{ mm} + 1.5 \text{ mm}$   
 $L_1 = L + 5.8 \text{ mm}$   
 $L_2 = L_1 + 6.4 \text{ mm}$



$L = (\text{pole no.} - 1) \times \text{pin spacing} + 6.5 \text{ mm} + 1.5 \text{ mm}$   
 $L_1 = L + 5.8 \text{ mm}$   
 $L_2 = L_1 + 6.4 \text{ mm}$



$L = (\text{pole no.} - 1) \times \text{pin spacing} + 6.5 \text{ mm} + 1.5 \text{ mm}$   
 $L_1 = L + 5.8 \text{ mm}$   
 $L_2 = L_1 + 6.4 \text{ mm}$

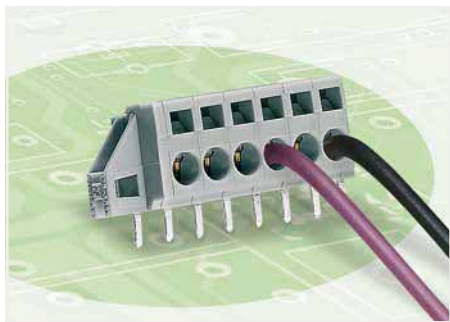
PU = Packaging Unit; SPU = Subpackaging Unit; Dimensions in mm

Other variants can be requested via the WAGO sales department or, if necessary, configured at <https://configurator.wago.com/>:

- Other pole numbers
- Other colors
- Direct marking

## Feedthrough PCB Terminal Block ▶ 231 Series

CAGE CLAMP® ▶ Actuation type: Operating tool ▶ Mounting type: Mounting flange ▶ 2.5 mm<sup>2</sup> ▶ Pin spacing: 5 mm (0.197 inch) ▶ Terminal strip ▶ Color: gray



- Feedthrough PCB terminal strips with screwdriver-actuated CAGE CLAMP®
- With flanges for PCB or front-panel mounting – either flush with enclosure or protruding

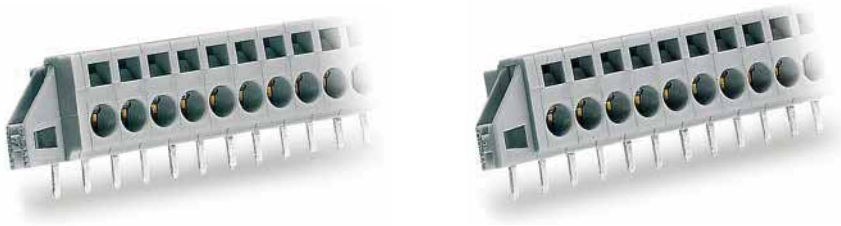
Electrical Data			
Pin spacing	5 mm (0.197 inch)		
Ratings per	IEC/EN 60664-1		
Overvoltage category	III	III	II
Pollution degree	3	2	2
Rated voltage	320 V	320 V	630 V
Rated impulse voltage	4 kV	4 kV	4 kV
Rated current	16 A	16 A	16 A
Approvals per	UL 1059		
Use Group	B	C	D
Rated voltage	300 V	150 V	300 V
Rated current	15 A	15 A	10 A
Approvals per	CSA		
Use Group	B	C	D
Rated voltage	300 V	150 V	300 V
Rated current	15 A	15 A	10 A
Connection Data			
Connection technology	CAGE CLAMP®		
Strip length	8 ... 9 mm / 0.31 ... 0.35 inch		
Conductor entry angle to the PCB	0°		
Solid conductor	0.08 ... 2.5 mm <sup>2</sup> / 28 ... 14 AWG		
Fine-stranded conductor	0.08 ... 2.5 mm <sup>2</sup> / 28 ... 14 AWG		
Fine-stranded conductor with ferrule with plastic collar	0.25 ... 1.5 mm <sup>2</sup>		
Fine-stranded conductor with ferrule without plastic collar	0.25 ... 2.5 mm <sup>2</sup>		
Material Data			
Material group	I		
Insulating material	Polyamide 66 (PA 66)		
Flammability class per UL94	V0		
Clamping spring material	Chrome nickel spring steel (CrNi)		
Contact material	Electrolytic copper (Ecu)		
Contact plating	Tin-plated		
Mechanical Data			
Solder pin arrangement	Over the entire terminal strip, in line		
Solder pin length	4.7 mm		
Solder pin dimensions	0.8 x 1.3 mm		
Drilled hole diameter (tolerance)	1.8 <sup>(+0.1)</sup> mm		
Environmental Requirements			
Limit temperature range	-60 ... +105 °C		

Ferrule	Page 847
Marking	Page 833
Mounting	Page 537, 837
Tools	Page 838
Additional information, see "Technical Section"	
Approvals and corresponding ratings, visit <a href="http://www.wago.com">www.wago.com</a>	

### Feedthrough PCB Terminal Block ▶ 231 Series

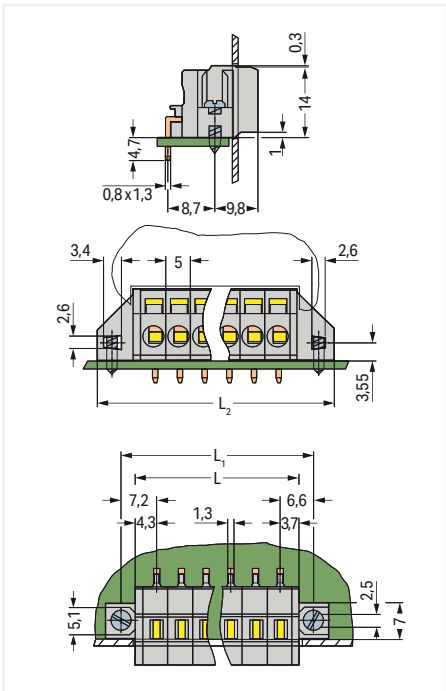
CAGE CLAMP® ▶ Actuation type: Operating tool ▶ Mounting type: Mounting flange ▶ 2.5 mm<sup>2</sup> ▶ Pin spacing: 5 mm (0.197 inch) ▶ Terminal strip ▶ Color: gray

Housing sheet thickness (max.): 1.5 mm

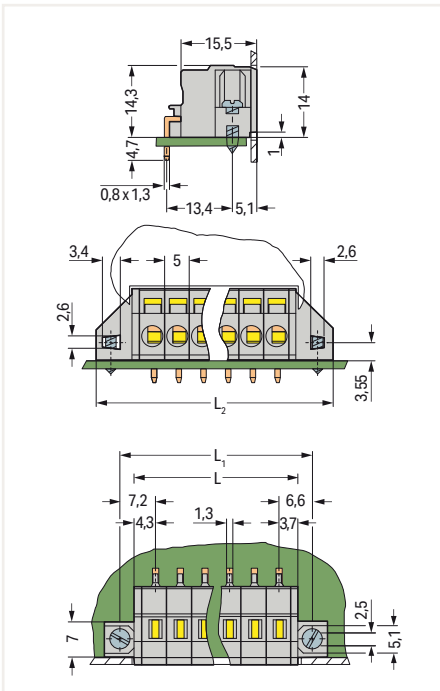


Pole No.	Item No.	PU
2	231-602/017-000	100
3	231-603/017-000	50
4	231-604/017-000	50
5	231-605/017-000	50
6	231-606/017-000	50
7	231-607/017-000	50
8	231-608/017-000	50
9	231-609/017-000	25
10	231-610/017-000	25
11	231-611/017-000	25
12	231-612/017-000	25

Pole No.	Item No.	PU
2	231-602/023-000	100
3	231-603/023-000	50
4	231-604/023-000	50
5	231-605/023-000	50
6	231-606/023-000	50
7	231-607/023-000	50
8	231-608/023-000	50
9	231-609/023-000	25
10	231-610/023-000	25
11	231-611/023-000	25
12	231-612/023-000	25



L = (pole no. x pin spacing) + 3 mm  
 L<sub>1</sub> = L + 5.8 mm  
 L<sub>2</sub> = L<sub>1</sub> + 6.4 mm



L = (pole no. x pin spacing) + 3 mm  
 L<sub>1</sub> = L + 5.8 mm  
 L<sub>2</sub> = L<sub>1</sub> + 6.4 mm  
 for mounting plate thickness up to 1.5 mm

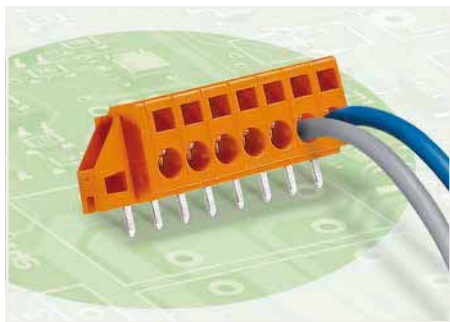
PU = Packaging Unit; SPU = Subpackaging Unit; Dimensions in mm

Other variants can be requested via the WAGO sales department or, if necessary, configured at <https://configurator.wago.com/>:

- Other pole numbers
- Other colors
- Direct marking
- Versions without mounting flanges

## Feedthrough PCB Terminal Block ▶ 231 Series

CAGE CLAMP® ▶ Actuation type: Operating tool ▶ Mounting type: Mounting flange ▶ 2.5 mm<sup>2</sup> ▶ Pin spacing: 5.08 mm (0.2 inch) ▶ Terminal strip ▶ Color: orange



- Feedthrough PCB terminal strips with screwdriver-actuated CAGE CLAMP®
- With flanges for PCB or front-panel mounting – either flush with enclosure or protruding

Electrical Data			
Pin spacing	5.08 mm (0.2 inch)		
Ratings per	IEC/EN 60664-1		
Overvoltage category	III	III	II
Pollution degree	3	2	2
Rated voltage	320 V	320 V	630 V
Rated impulse voltage	4 kV	4 kV	4 kV
Rated current	16 A	16 A	16 A
Approvals per	UL 1059		
Use Group	B	C	D
Rated voltage	300 V	150 V	300 V
Rated current	15 A	15 A	10 A
Approvals per	CSA		
Use Group	B	C	D
Rated voltage	300 V	150 V	300 V
Rated current	15 A	15 A	10 A
Connection Data			
Connection technology	CAGE CLAMP®		
Strip length	8 ... 9 mm / 0.31 ... 0.35 inch		
Conductor entry angle to the PCB	0°		
Solid conductor	0.08 ... 2.5 mm <sup>2</sup> / 28 ... 14 AWG		
Fine-stranded conductor	0.08 ... 2.5 mm <sup>2</sup> / 28 ... 14 AWG		
Fine-stranded conductor with ferrule with plastic collar	0.25 ... 1.5 mm <sup>2</sup>		
Fine-stranded conductor with ferrule without plastic collar	0.25 ... 2.5 mm <sup>2</sup>		
Material Data			
Material group	I		
Insulating material	Polyamide 66 (PA 66)		
Flammability class per UL94	V0		
Clamping spring material	Chrome nickel spring steel (CrNi)		
Contact material	Electrolytic copper (Ecu)		
Contact plating	Tin-plated		
Mechanical Data			
Solder pin arrangement	Over the entire terminal strip, in line		
Solder pin length	4.7 mm		
Solder pin dimensions	0.8 x 1.3 mm		
Drilled hole diameter (tolerance)	1.8 <sup>(+0.1)</sup> mm		
Environmental Requirements			
Limit temperature range	-60 ... +105 °C		

Ferrule Page 847

Marking Page 833

Mounting Page 537, 837

Tools Page 838

Additional information, see "Technical Section"

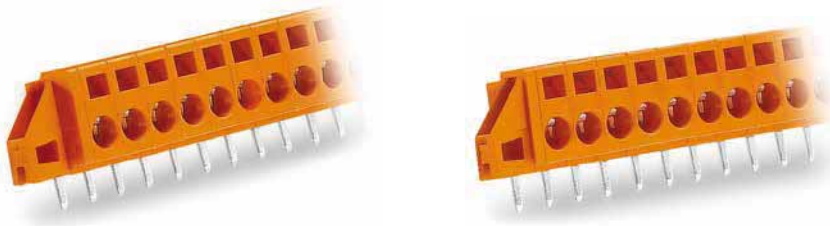
Approvals and corresponding ratings, visit [www.wago.com](http://www.wago.com)



### Feedthrough PCB Terminal Block ▶ 231 Series

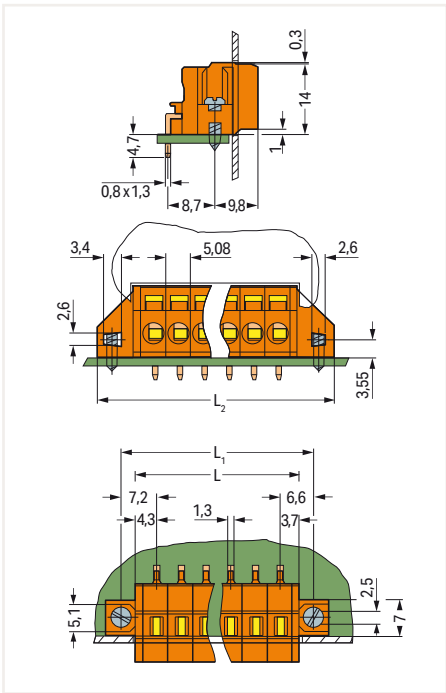
CAGE CLAMP® ▶ Actuation type: Operating tool ▶ Mounting type: Mounting flange ▶ 2.5 mm<sup>2</sup> ▶ Pin spacing: 5.08 mm (0.2 inch) ▶ Terminal strip ▶ Color: orange

Housing sheet thickness (max.): 1.5 mm

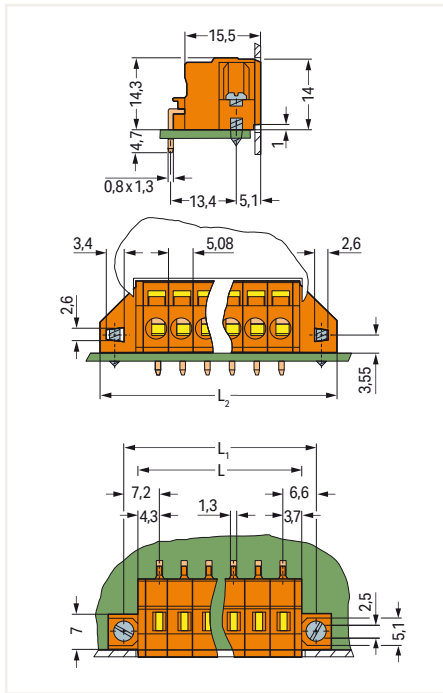


Pole No.	Item No.	PU
2	231-632/017-000	100
3	231-633/017-000	50
4	231-634/017-000	50
5	231-635/017-000	50
6	231-636/017-000	50
7	231-637/017-000	50
8	231-638/017-000	50
9	231-639/017-000	25
10	231-640/017-000	25
11	231-641/017-000	25
12	231-642/017-000	25

Pole No.	Item No.	PU
2	231-632/023-000	100
3	231-633/023-000	50
4	231-634/023-000	50
5	231-635/023-000	50
6	231-636/023-000	50
7	231-637/023-000	50
8	231-638/023-000	50
9	231-639/023-000	25
10	231-640/023-000	25
11	231-641/023-000	25
12	231-642/023-000	25



L = (pole no. x pin spacing) + 3 mm  
 L<sub>1</sub> = L + 5.8 mm  
 L<sub>2</sub> = L<sub>1</sub> + 6.4 mm



L = (pole no. x pin spacing) + 3 mm  
 L<sub>1</sub> = L + 5.8 mm  
 L<sub>2</sub> = L<sub>1</sub> + 6.4 mm  
 for mounting plate thickness up to 1.5 mm

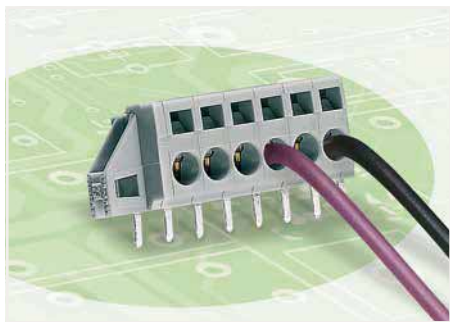
PU = Packaging Unit; SPU = Subpackaging Unit; Dimensions in mm

Other variants can be requested via the WAGO sales department or, if necessary, configured at <https://configurator.wago.com/>:

- Other pole numbers
- Other colors
- Direct marking
- Versions without mounting flanges

## 1-Conductor Feedthrough Terminal Strip ▶ 731 Series

CAGE CLAMP® ▶ Wire-wrap pin ▶ Actuation type: Operating tool ▶ Mounting type: Mounting flange ▶ 2.5 mm<sup>2</sup> ▶ Pin spacing: 5 mm (0.197 inch) ▶ Terminal strip ▶ Housing sheet thickness (max.): 1.5 mm ▶ Color: gray



- Feedthrough PCB terminal strips with screwdriver-actuated CAGE CLAMP®
- With flanges for PCB or front-panel mounting – either flush with enclosure or protruding

Electrical Data			
Pin spacing	5 mm (0.197 inch)		
Ratings per	IEC/EN 60664-1		
Overvoltage category	III	III	II
Pollution degree	3	2	2
Rated voltage	320 V	320 V	630 V
Rated impulse voltage	4 kV	4 kV	4 kV
Rated current	5 A	5 A	5 A
Approvals per	UL 1059		
Use Group	B	C	D
Rated voltage	300 V	150 V	300 V
Rated current	5 A	5 A	5 A
Approvals per	CSA		
Use Group	B	C	D
Rated voltage	300 V	-	-
Rated current	5 A	-	-
Connection Data			
Connection technology	CAGE CLAMP®		
Strip length	8 ... 9 mm / 0.31 ... 0.35 inch		
Solid conductor	0.08 ... 2.5 mm <sup>2</sup> / 28 ... 14 AWG		
Fine-stranded conductor	0.08 ... 2.5 mm <sup>2</sup> / 28 ... 14 AWG		
Fine-stranded conductor with ferrule with plastic collar	0.25 ... 1.5 mm <sup>2</sup>		
Fine-stranded conductor with ferrule without plastic collar	0.25 ... 2.5 mm <sup>2</sup>		
Connection technology 2	Wire-wrap pin		
Material Data			
Material group	I		
Insulating material	Polyamide 66 (PA 66)		
Flammability class per UL94	V0		
Clamping spring material	Chrome nickel spring steel (CrNi)		
Contact material	Electrolytic copper (Ecu)		
Contact plating	Tin-plated		
Environmental Requirements			
Limit temperature range	-60 ... +105 °C		

Ferrule Page 847

Marking Page 833

Mounting Page 537, 837

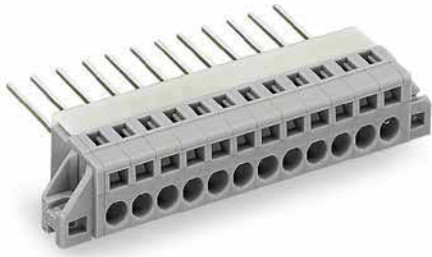
Tools Page 838

Additional information, see "Technical Section"

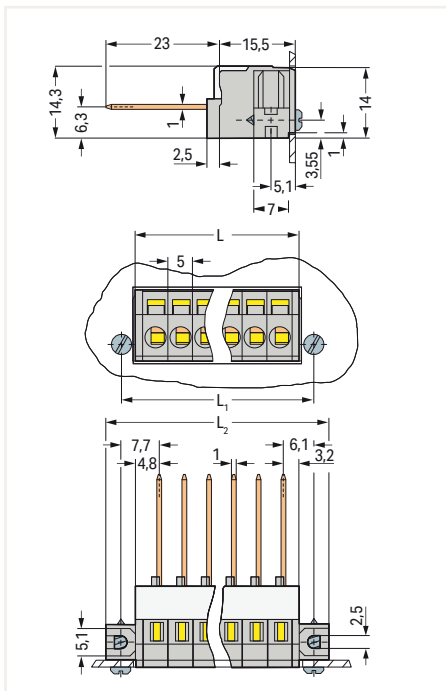
Approvals and corresponding ratings, visit [www.wago.com](http://www.wago.com)

## 1-Conductor Feedthrough Terminal Strip ▶ 731 Series

CAGE CLAMP® ▶ Wire-wrap pin ▶ Actuation type: Operating tool ▶ Mounting type: Mounting flange ▶ 2.5 mm<sup>2</sup> ▶ Pin spacing: 5 mm (0.197 inch) ▶ Terminal strip ▶ Housing sheet thickness (max.): 1.5 mm ▶ Color: gray



Pole No.	Item No.	PU
2	731-132	50
3	731-133	50
4	731-134	25
5	731-135	25
6	731-136/048-000	25
7	731-137/048-000	25
8	731-138/048-000	25
9	731-139/048-000	25
10	731-140/048-000	10
11	731-141/048-000	10
12	731-142/048-000	10



$L = (\text{pole no.} \times \text{pin spacing}) + 3 \text{ mm}$   
 $L_1 = L + 5.8 \text{ mm}$   
 $L_2 = L_1 + 6.4 \text{ mm}$   
 for mounting plate thickness up to 1.5 mm

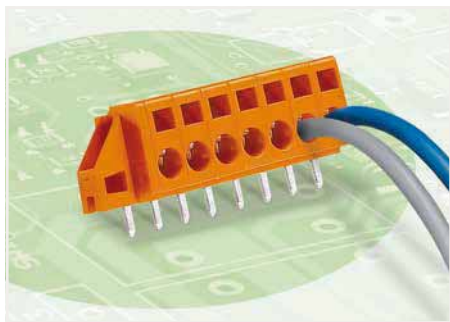
PU = Packaging Unit; SPU = Subpackaging Unit; Dimensions in mm

Other variants can be requested via the WAGO sales department or, if necessary, configured at <https://configurator.wago.com/>:

- Other pole numbers
- Other colors
- Direct marking
- Versions without mounting flanges

## 1-Conductor Feedthrough Terminal Strip ▶ 731 Series

CAGE CLAMP® ▶ Wire-wrap pin ▶ Actuation type: Operating tool ▶ Mounting type: Mounting flange ▶ 2.5 mm<sup>2</sup> ▶ Pin spacing: 5.08 mm (0.2 inch) ▶ Terminal strip ▶ Housing sheet thickness (max.): 1.5 mm ▶ Color: orange



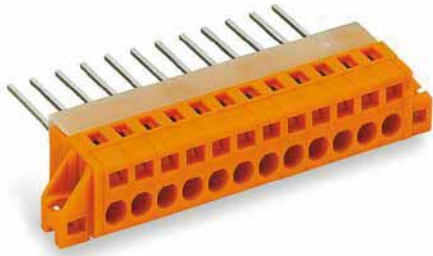
- Feedthrough PCB terminal strips with screwdriver-actuated CAGE CLAMP®
- With flanges for PCB or front-panel mounting – either flush with enclosure or protruding

Electrical Data			
Pin spacing	5.08 mm (0.2 inch)		
Ratings per	IEC/EN 60664-1		
Overvoltage category	III	III	II
Pollution degree	3	2	2
Rated voltage	320 V	320 V	630 V
Rated impulse voltage	4 kV	4 kV	4 kV
Rated current	5 A	5 A	5 A
Approvals per	UL 1059		
Use Group	B	C	D
Rated voltage	300 V	150 V	300 V
Rated current	5 A	5 A	5 A
Approvals per	CSA		
Use Group	B	C	D
Rated voltage	300 V	-	-
Rated current	5 A	-	-
Connection Data			
Connection technology	CAGE CLAMP®		
Strip length	8 ... 9 mm / 0.31 ... 0.35 inch		
Solid conductor	0.08 ... 2.5 mm <sup>2</sup> / 28 ... 14 AWG		
Fine-stranded conductor	0.08 ... 2.5 mm <sup>2</sup> / 28 ... 14 AWG		
Fine-stranded conductor with ferrule with plastic collar	0.25 ... 1.5 mm <sup>2</sup>		
Fine-stranded conductor with ferrule without plastic collar	0.25 ... 2.5 mm <sup>2</sup>		
Connection technology 2	Wire-wrap pin		
Material Data			
Material group	I		
Insulating material	Polyamide 66 (PA 66)		
Flammability class per UL94	V0		
Clamping spring material	Chrome nickel spring steel (CrNi)		
Contact material	Electrolytic copper (Ecu)		
Contact plating	Tin-plated		
Environmental Requirements			
Limit temperature range	-60 ... +105 °C		

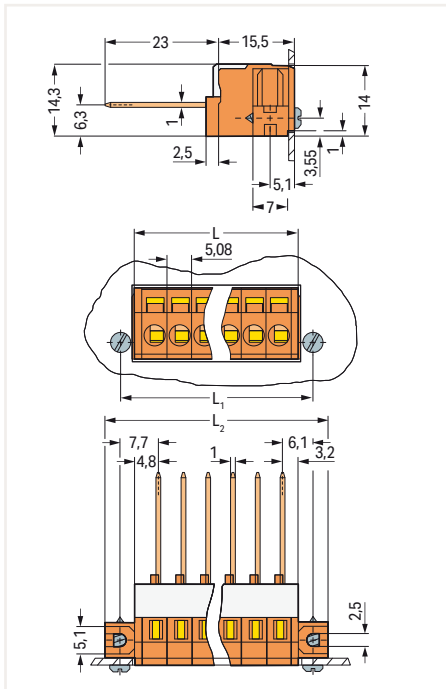
Ferrule	Page 847
Marking	Page 833
Mounting	Page 537, 837
Tools	Page 838
Additional information, see "Technical Section"	
Approvals and corresponding ratings, visit <a href="http://www.wago.com">www.wago.com</a>	

## 1-Conductor Feedthrough Terminal Strip ▶ 731 Series

CAGE CLAMP® ▶ Wire-wrap pin ▶ Actuation type: Operating tool ▶ Mounting type: Mounting flange ▶ 2.5 mm<sup>2</sup> ▶ Pin spacing: 5.08 mm (0.2 inch) ▶ Terminal strip ▶ Housing sheet thickness (max.): 1.5 mm ▶ Color: orange



Pole No.	Item No.	PU
2	731-162	50
3	731-163	50
4	731-164	25
5	731-165	25
6	731-166/048-000	25
7	731-167/048-000	25
8	731-168/048-000	25
9	731-169/048-000	25
10	731-170/048-000	10
11	731-171/048-000	10
12	731-172/048-000	25

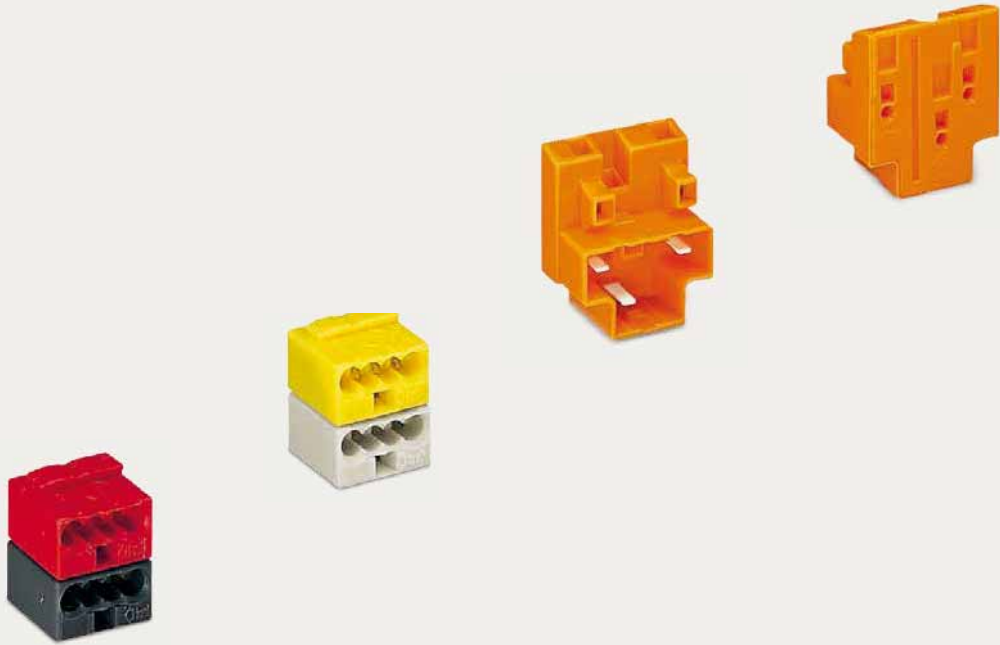


$L = (\text{pole no.} \times \text{pin spacing}) + 3 \text{ mm}$   
 $L_1 = L + 5.8 \text{ mm}$   
 $L_2 = L_1 + 6.4 \text{ mm}$   
 for mounting plate thickness up to 1.5 mm

PU = Packaging Unit; SPU = Subpackaging Unit; Dimensions in mm




Other variants can be requested via the WAGO sales department or, if necessary, configured at <https://configurator.wago.com/>:

- Other pole numbers
- Other colors
- Direct marking
- Versions without mounting flanges

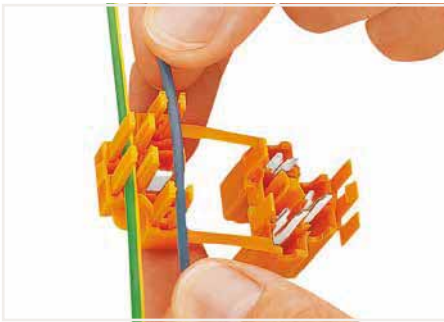


# WAGO Specialty Connectors

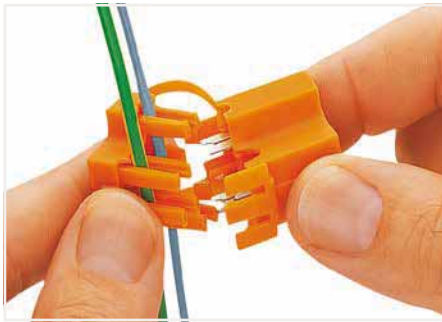
## WAGO Specialty Connectors

	Series	Page
	Female Connector ▶ Pole No.: 3 ▶ IDC ▶ 0.75 ... 1.5 mm <sup>2</sup> „f-st“	730 808
	Male Connector ▶ Pole No.: 3 ▶ CAGE CLAMP® ▶ Actuation type: Operating tool ▶ 0.08 ... 2.5 mm <sup>2</sup> (18 ... 16 AWG)	810
	Female Connector ▶ Pole No.: 6 ▶ IDC ▶ 0.75 ... 1.5 mm <sup>2</sup> „f-st“	812
	Male Connector ▶ Pole No.: 6 ▶ CAGE CLAMP® ▶ Actuation type: Operating tool ▶ 0.08 ... 2.5 mm <sup>2</sup> (18 ... 16 AWG)	814
	4-Conductor Modular PCB Connector ▶ for KNX/EIB Bus Coupler Units ▶ PUSH WIRE®	243 816
	Accessories and Tools	829
		

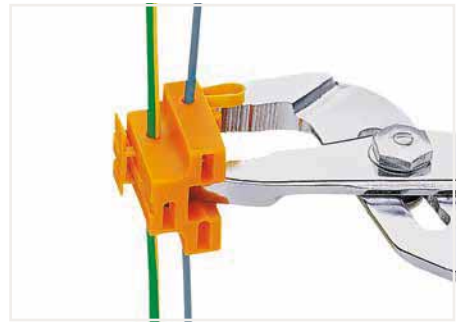
# Wire-Tap Branch Connectors, 3-Pole 730 Series Description and Installation



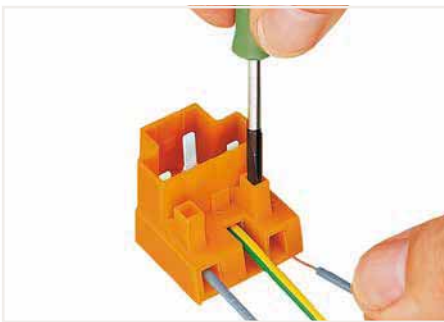
Press conductor into strain relief fingers.



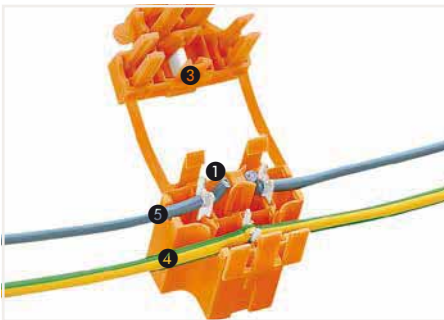
Place upper and lower part of the socket into pre-locking position.



Press into final position using pliers.

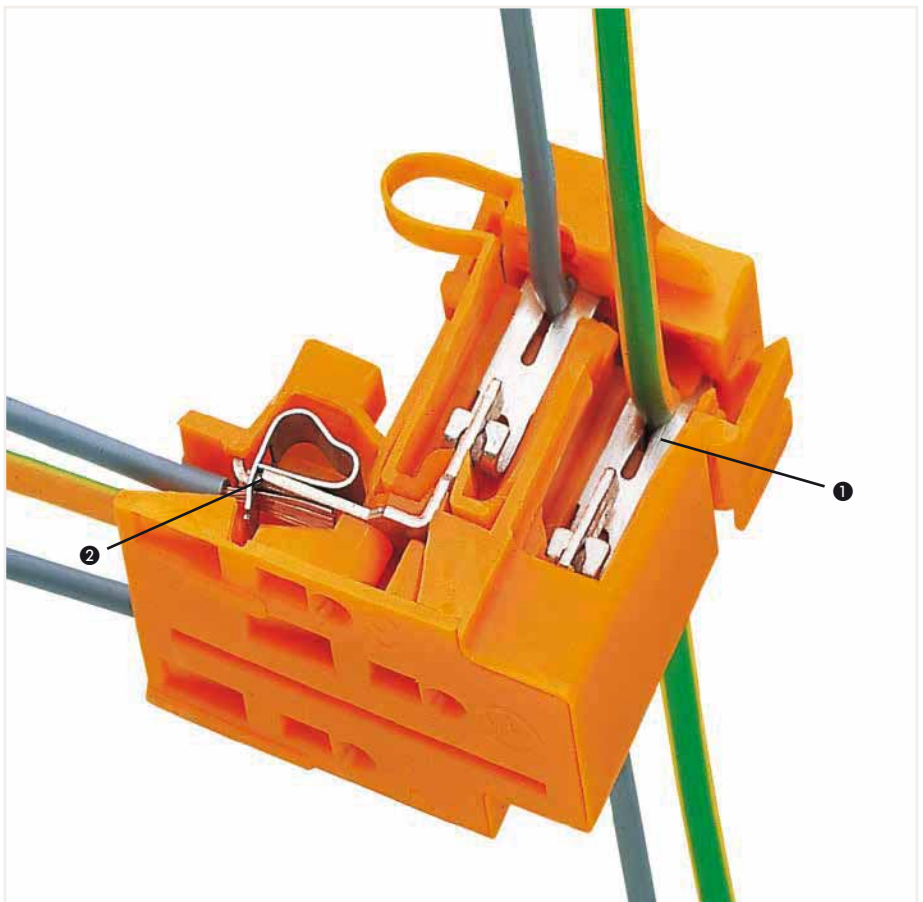


Insert conductors via screwdriver – 3-pole plug equipped with CAGE CLAMP®.



Three-pole socket includes:

- ① IDC
- ② CAGE CLAMP®
- ③ Isolation blade
- ④ IDC contacted ground conductor
- ⑤ Cut and IDC contacted "live" conductor contacted "live" conductor

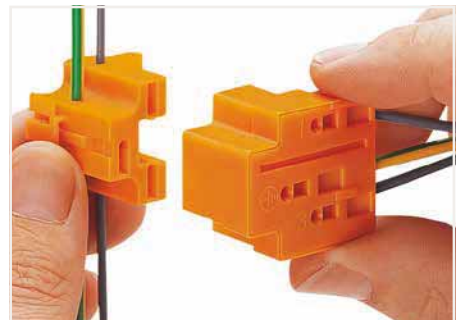


730 Series, 3-pole

13



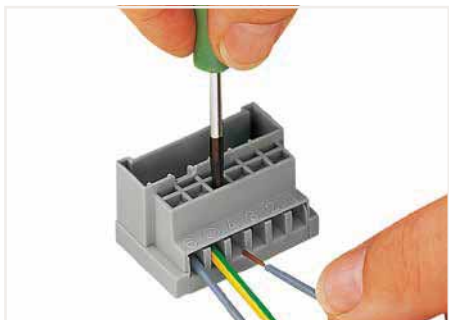
Snapping socket halves together will automatically cut and terminate a "live" conductor without stripping – enables switching applications (e.g., door switches).



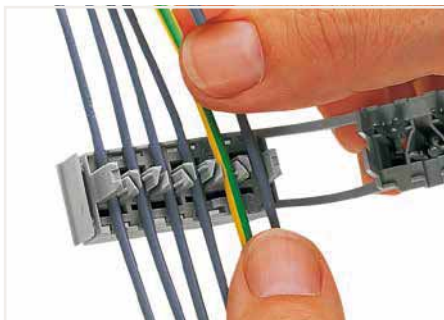
Insert plug into socket.



# Wire-Tap Branch Connectors, 6-Pole 730 Series Description and Installation



Insert conductors via screwdriver – 6-pole plug equipped with CAGE CLAMP®.



Press conductors into strain relief fingers.



Place upper and lower part of the socket into pre-locking position.



730 Series



Press into final position using pliers.



Insert plug into socket.



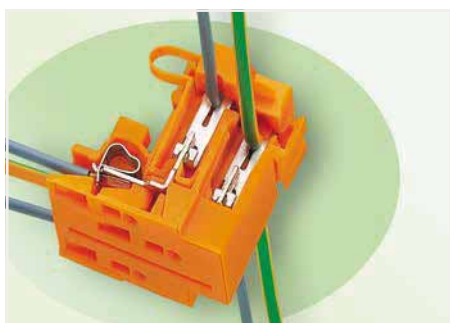
Marking via side marker carrier.



Testing via 2.3 mm Ø test plug.

## Female Connector ▶ 730 Series

### Pole No.: 3 ▶ IDC ▶ Color: orange



- Sockets with IDC connection for tapping individual conductors without stripping
- Three-pole sockets automatically cut "live" conductors (e.g., door switches in elevator shafts)
- Sockets available with additional fixing flanges

#### Electrical Data

		IEC/EN 60664-1		
Ratings per		III	III	II
Overvoltage category		3	2	2
Pollution degree		3	2	2
Rated voltage		500 V	630 V	1000 V
Rated impulse voltage		6 kV	6 kV	6 kV
Rated current		10 A	10 A	10 A
		UL 1059		
Approvals per		B	C	D
Use Group		-	600 V	-
Rated voltage		-	10 A	-
Rated current		-	-	-
		CSA		
Approvals per		B	C	D
Use Group		-	600 V	-
Rated voltage		-	10 A	-
Rated current		-	-	-

#### Connection Data

Connection technology	IDC
Fine-stranded conductor	0.75 ... 1.5 mm <sup>2</sup> / 18 ... 16 AWG

#### Material Data

Material group	I
Insulating material	Polyamide 66 (PA 66)
Flammability class per UL94	V0
Clamping spring material	Chrome nickel spring steel (CrNi)
Contact material	Brass
Contact plating	Tin-plated

#### Environmental Requirements

Limit temperature range	-60 ... +85 °C
-------------------------	----------------

Testing and measuring Page 854

Tools Page 838

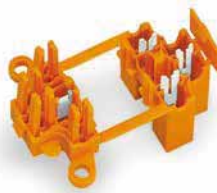
Additional information, see "Technical Section"

Approvals and corresponding ratings,  
visit [www.wago.com](http://www.wago.com)

# Female Connector ▶ 730 Series

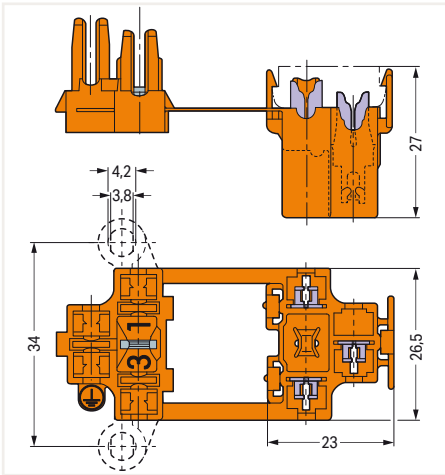
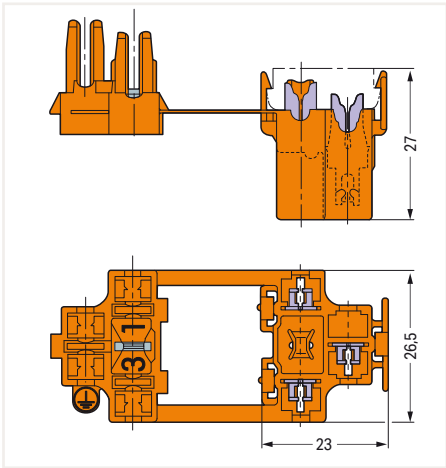
Pole No.: 3 ▶ IDC ▶ Color: orange

Mounting type: Mounting flange

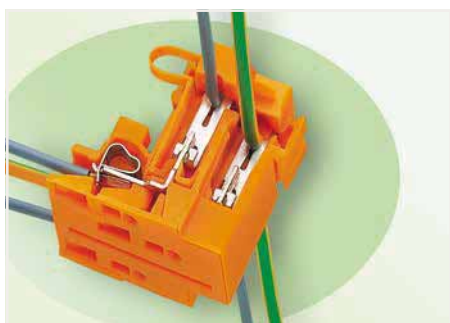


Color	Pole No.	Item No.	PU
orange	3	730-103	50

Color	Pole No.	Item No.	PU
orange	3	730-123	50



PU = Packaging Unit; SPU = Subpackaging Unit; Dimensions in mm

**Male connector ▶ 730 Series****Pole No.: 3 ▶ CAGE CLAMP® ▶ Actuation type: Operating tool ▶ 2.5 mm<sup>2</sup> ▶ Color: orange**

- Plugs with CAGE CLAMP® for the universal connection of all conductor types

**Electrical Data**

Ratings per	IEC/EN 60664-1		
Overvoltage category	III	III	II
Pollution degree	3	2	2
Rated voltage	500 V	630 V	1000 V
Rated impulse voltage	6 kV	6 kV	6 kV
Rated current	10 A	10 A	10 A
Approvals per	UL 1059		
Use Group	B	C	D
Rated voltage	-	600 V	-
Rated current	-	10 A	-
Approvals per	CSA		
Use Group	B	C	D
Rated voltage	-	600 V	-
Rated current	-	10 A	-

**Connection Data**

Connection technology	CAGE CLAMP®
Strip length	8 ... 9 mm / 0.31 ... 0.35 inch
Solid conductor	0.08 ... 2.5 mm <sup>2</sup> / 28 ... 14 AWG
Fine-stranded conductor	0.08 ... 2.5 mm <sup>2</sup> / 28 ... 14 AWG
Fine-stranded conductor with ferrule with plastic collar	0.25 ... 1.5 mm <sup>2</sup>
Fine-stranded conductor with ferrule without plastic collar	0.25 ... 2.5 mm <sup>2</sup>

**Material Data**

Material group	I
Insulating material	Polyamide 66 (PA 66)
Flammability class per UL94	V0
Clamping spring material	Chrome nickel spring steel (CrNi)
Contact material	Electrolytic copper (Ecu)
Contact plating	Tin-plated

**Environmental Requirements**

Limit temperature range	-60 ... +85 °C
-------------------------	----------------

Testing and measuring Page 854

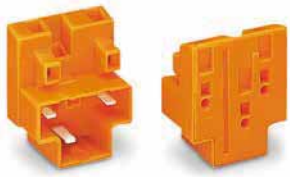
Tools Page 838

Additional information, see "Technical Section"

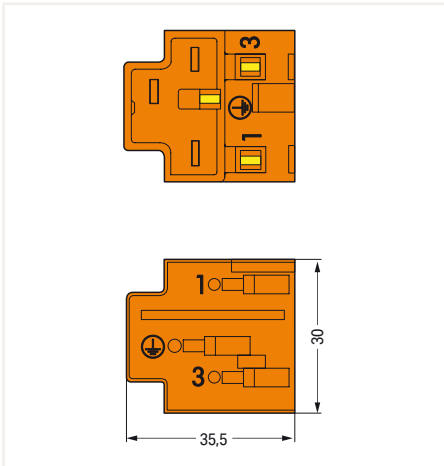
Approvals and corresponding ratings, visit [www.wago.com](http://www.wago.com)

### Male connector ▶ 730 Series

Pole No.: 3 ▶ CAGE CLAMP® ▶ Actuation type: Operating tool ▶ 2.5 mm<sup>2</sup> ▶ Color: orange



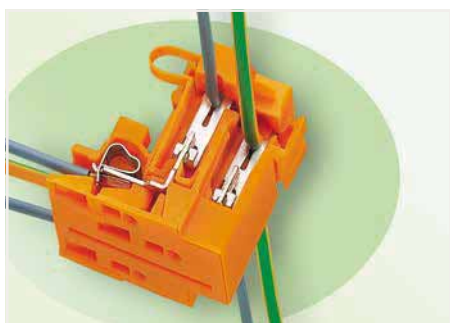
Color	Pole No.	Item No.	PU
orange	3	730-113	50



PU = Packaging Unit; SPU = Subpackaging Unit; Dimensions in mm

## Female Connector ▶ 730 Series

Pole No.: 6 ▶ IDC ▶ Color: gray



- Sockets with IDC connection for tapping individual conductors without stripping
- Three-pole sockets automatically cut "live" conductors (e.g., door switches in elevator shafts)
- Sockets available with additional fixing flanges

### Electrical Data

		IEC/EN 60664-1		
Ratings per		III	III	II
Overtoltage category		3	2	2
Pollution degree		3	2	2
Rated voltage		500 V	630 V	1000 V
Rated impulse voltage		6 kV	6 kV	6 kV
Rated current		10 A	10 A	10 A
		UL 1059		
Approvals per		B	C	D
Use Group		-	600 V	-
Rated voltage		-	10 A	-
Rated current		-	-	-
		CSA		
Approvals per		B	C	D
Use Group		-	600 V	-
Rated voltage		-	10 A	-
Rated current		-	-	-

### Connection Data

Connection technology	IDC
Fine-stranded conductor	0.75 ... 1.5 mm <sup>2</sup> / 18 ... 16 AWG

### Material Data

Material group	I
Insulating material	Polyamide 66 (PA 66)
Flammability class per UL94	V0
Clamping spring material	Chrome nickel spring steel (CrNi)
Contact material	Brass
Contact plating	Tin-plated

### Environmental Requirements

Limit temperature range	-60 ... +85 °C
-------------------------	----------------

Testing and measuring Page 854

Tools Page 838

Additional information, see "Technical Section"

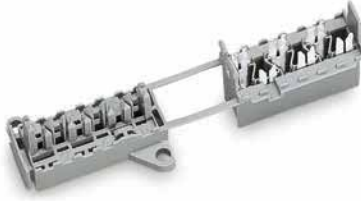
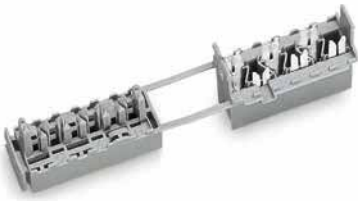
Approvals and corresponding ratings,  
visit [www.wago.com](http://www.wago.com)

# Female Connector ▶ 730 Series

Pole No.: 6 ▶ IDC ▶ Color: gray

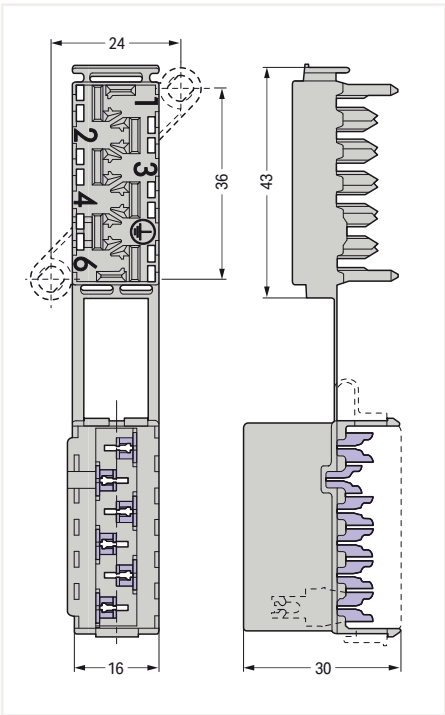
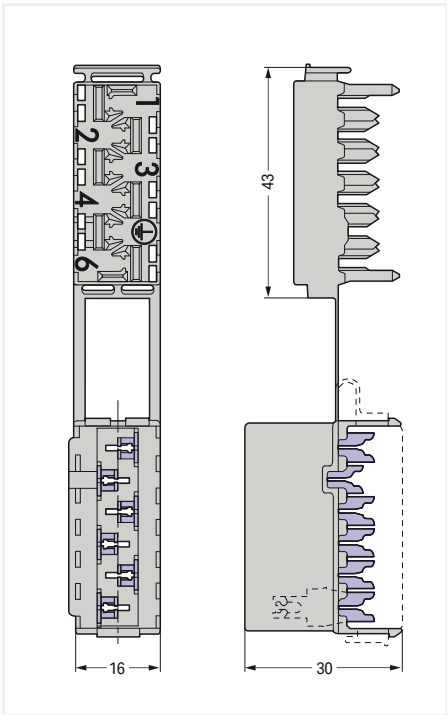
Color: gray

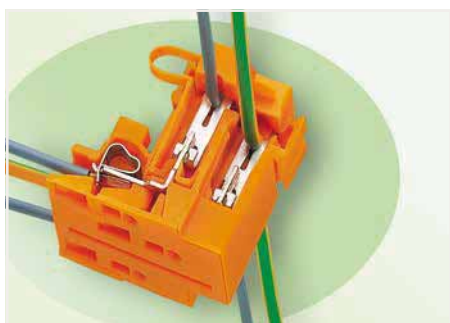
Mounting type: Mounting flange



Color	Pole No.	Item No.	PU
● gray	6	730-106	50

Color	Pole No.	Item No.	PU
● gray	6	730-126	50



**Male Connector ▶ 730 Series**Pole No.: 6 ▶ CAGE CLAMP® ▶ Actuation type: Operating tool ▶ 2.5 mm<sup>2</sup> ▶ Color: gray

- Plugs with CAGE CLAMP® for the universal connection of all conductor types

**Electrical Data**

Ratings per	IEC/EN 60664-1		
Overvoltage category	III	III	II
Pollution degree	3	2	2
Rated voltage	500 V	630 V	1000 V
Rated impulse voltage	6 kV	6 kV	6 kV
Rated current	10 A	10 A	10 A
Approvals per	UL 1059		
Use Group	B	C	D
Rated voltage	-	600 V	-
Rated current	-	10 A	-
Approvals per	CSA		
Use Group	B	C	D
Rated voltage	-	600 V	-
Rated current	-	10 A	-

**Connection Data**

Connection technology	CAGE CLAMP®
Strip length	8 ... 9 mm / 0.31 ... 0.35 inch
Solid conductor	0.08 ... 2.5 mm <sup>2</sup> / 28 ... 14 AWG
Fine-stranded conductor	0.08 ... 2.5 mm <sup>2</sup> / 28 ... 14 AWG
Fine-stranded conductor with ferrule with plastic collar	0.25 ... 1.5 mm <sup>2</sup>
Fine-stranded conductor with ferrule without plastic collar	0.25 ... 2.5 mm <sup>2</sup>

**Material Data**

Material group	I
Insulating material	Polyamide 66 (PA 66)
Flammability class per UL94	V0
Clamping spring material	Chrome nickel spring steel (CrNi)
Contact material	Electrolytic copper (Ecu)
Contact plating	Tin-plated

**Environmental Requirements**

Limit temperature range	-60 ... +85 °C
-------------------------	----------------

Testing and measuring Page 854

Tools Page 838

Additional information, see "Technical Section"

Approvals and corresponding ratings, visit [www.wago.com](http://www.wago.com)

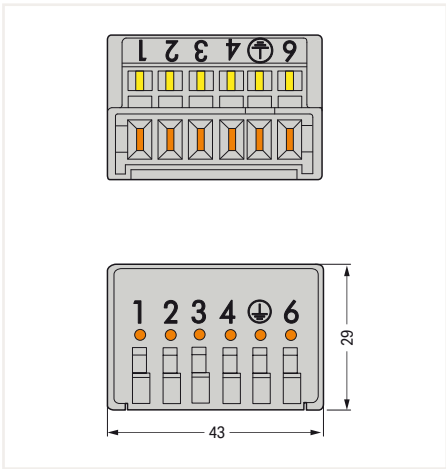


### Male Connector ▶ 730 Series

Pole No.: 6 ▶ CAGE CLAMP® ▶ Actuation type: Operating tool ▶ 2.5 mm<sup>2</sup> ▶ Color: gray



Color	Pole No.	Item No.	PU
● gray	6	730-116	50



PU = Packaging Unit; SPU = Subpackaging Unit; Dimensions in mm

## 4-Conductor Modular PCB Connector ▶ 243 Series for KNX/EIB Bus Coupler Units ▶ PUSH WIRE®



- Compact, 4-conductor KNX/EIB connectors with PUSH WIRE® connection
- Push-in termination of solid conductors
- Four-conductor entries allow devices to be replaced without disrupting the KNX/EIB bus connection

### Electrical Data

Ratings per	IEC/EN 60664-1		
Overvoltage category	III	III	II
Pollution degree	3	2	2
Rated voltage	250 V	100 V	630 V
Rated impulse voltage	4 kV	4 kV	4 kV
Rated current	6 A	6 A	6 A

### Connection Data

Connection technology	PUSH WIRE®
Strip length	5 ... 6 mm / 0.2 ... 0.24 inch
Conductor diameter	0.6 ... 0.8 mm
Conductor diameter information	When using different conductor diameters
Conductor diameter 2	1 mm / 18 AWG
Conductor diameter information 2	When using identical conductor diameters

### Material Data

Material group	I
Insulating material	Polyamide 66 (PA 66)
Flammability class per UL94	V0
Clamping spring material	Chrome nickel spring steel (CrNi)
Contact material	Electrolytic copper (Ecu)
Contact plating	Tin-plated

### Environmental Requirements

Limit temperature range	-60 ... +105 °C
-------------------------	-----------------

Marking Page 833

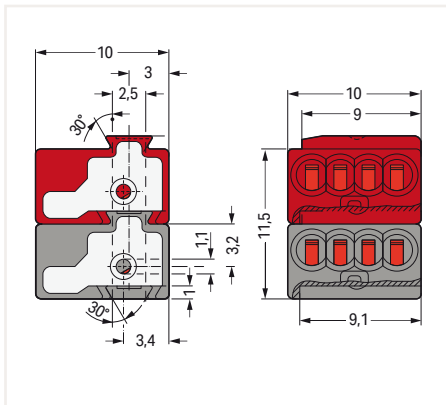
Additional information, see "Technical Section"

Approvals and corresponding ratings,  
visit [www.wago.com](http://www.wago.com)

## 4-Conductor Modular PCB Connector ▶ 243 Series for KNX/EIB Bus Coupler Units ▶ PUSH WIRE®



Color	Item No.	PU (SPU)
○ light gray/yellow	243-212	500 (50)
○ dark gray/red	243-211	500 (50)



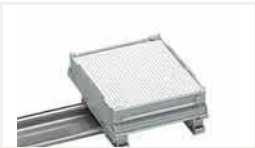



The KNX bus system is the intelligent solution to simplify existing building installation control. Instead of many different conventional wiring styles, the KNX bus system offers a flexible general solution for every application in the field of switching, controlling, measuring, monitoring and signaling. The decentralized KNX system consists of active and intelligent modules. The system can be customized using the different KNX components. For example, pairs of sensors/actuators control: – lighting – window blinds – heating/ventilation – energy management systems – information display/transmission Command Data is transmitted via twisted-pair bus cable, which is connected to the sensors and actuators by WAGO PUSH WIRE® connectors. The sensors transmit the commands as „telegrams“ to the actuators via the bus. Once the information is gathered, the commands are performed by the actuators. An address is assigned to each „telegram“ so that only a defined transmitter is allowed to activate a specified receiver. The address assignment is done using a programming tool. The bus system is divided into „lines“ (segments). The bus lines can be laid out either in a line, star or tree topology. WAGO's PUSH WIRE® connectors connect the different branches to one another in the junction boxes. New components can be easily added to the existing bus, permitting future expansion of the installation. When future reallocation of rooms, floors or buildings is required, the installation remains unchanged, so that only the sensors must be reassigned to the actuators.



# WAGO Empty Housings

## WAGO Empty Housings

		Series	Page
	Modular Empty Housings ▶ Housing Width: 12.5 mm and 22.5 mm ▶ for DIN-Rail	2857	820
	Stripboards ▶ for Modular Empty Housings	2857	822
	Mount PCB Carriers ▶ for DIN-Rail	288	824
	Mounting Feet ▶ for DIN-Rail	209	826
	Accessories and Tools		829

## Modular Empty Housings ▶ for DIN-35 rail 2857 Series



- *picoMAX*® female connectors; with coding keys; 4-pole
- Pre-assembled unit
- Flexible conductor termination
- Customizable connection levels
- Various marking options available
- Sealable, transparent cover
- Commoning via 859-402 Jumpers

### Electrical Data (*picoMAX*® 5.0 Female Connector)

Ratings per	IEC/EN 60664-1		
Overvoltage category	III	III	II
Pollution degree	3	2	2
Rated voltage	250 V	320 V	630 V
Rated impulse voltage	4 kV	4 kV	4 kV
Rated current	16 A	16 A	16 A
Approvals per	UL 1059		
Use Group	B	C	D
Rated voltage	300 V	-	300 V
Rated current	15 A	-	10 A

### Connection Data

Connection technology	Push-in CAGE CLAMP®
Strip length	9 ... 10 mm / 0.35 ... 0.39 inch
Conductor entry direction to PCB	45°
Solid conductor	0.2 ... 2.5 mm <sup>2</sup> / 24 ... 12 AWG
Fine-stranded conductor	0.2 ... 2.5 mm <sup>2</sup> / 24 ... 12 AWG
Fine-stranded conductor with ferrule with plastic collar	0.2 ... 1.5 mm <sup>2</sup>
Fine-stranded conductor with ferrule without plastic collar	0.2 ... 2.5 mm <sup>2</sup>

### Material data (*picoMAX*® 5.0 Female Connector)

Material group	I
Insulation material	Polyphthalamide (PPA GF)
Flammability class per UL94	V0
Limit temperature range	-60 ... +100 °C
Contact material	Electrolytic copper (E <sub>CU</sub> )
Clamping spring material	Chrome nickel spring steel (CrNi)
Contact plating	Tin-plated

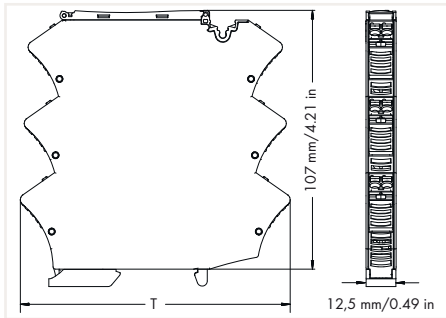
### Material Data (Empty Housing)

Housing material	PC
Flammability class	V0
Ambient operating temperature	-40 ... +70 °C
Storage temperature	-40 ... +85 °C

Additional information, see "Technical Section"

Approvals and corresponding ratings, visit [www.wago.com](http://www.wago.com)

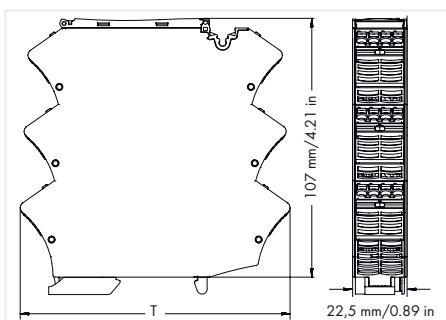
## Modular Empty Housings ▶ for DIN-35 rail 2857 Series



12.5 mm wide housing		
Description	Item No.	PU
2-2 connection levels; 2-2 jumper slots	2857-101	10
3-2 connection levels; 0-2 jumper slots	2857-102	10
3-3 connection levels; 0-0 jumper slots	2857-103	10

Technical Data: Empty Housing	
Dimensions (mm) W x H x D	12.5 x 107 x 108 (2857-101) 12.5 x 107 x 110 (2857-102) 12.5 x 107 x 112 (2857-103) Height from upper-edge of DIN-35 rail
Power loss	2 W

Accessories		
Description	Item No.	PU
Coding pin carrier	2092-1610	1
Jumpers	859-402	1



22.5 mm wide housing		
Description	Item No.	PU
2-2 connection levels; 2-2 jumper slots	2857-121	5
3-2 connection levels; 0-2 jumper slots	2857-122	5
3-3 connection levels; 0-0 jumper slots	2857-123	5
1-1 connection levels; 2-2 jumper slots	2857-124	5

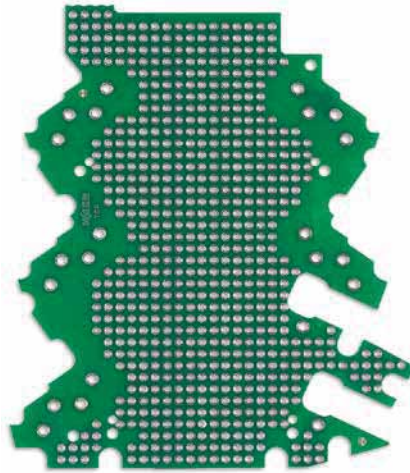
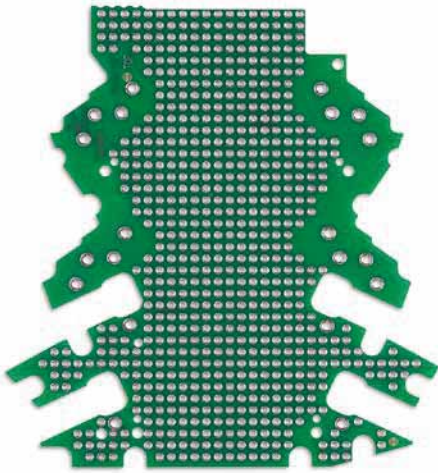
Technical Data: Empty Housing	
Dimensions (mm) W x H x D	22.5 x 107 x 108 (2857-121) 22.5 x 107 x 110 (2857-122) 22.5 x 107 x 112 (2857-123) 22.5 x 107 x 105 (2857-124) Height from upper-edge of DIN-35 rail
Power loss	3 W

Accessories		
Description	Item No.	PU
Coding pin carrier	2092-1610	1
Jumpers	859-402	1

# Stripboards ▶ for Installation in Empty Housings ▶ for DIN-35 rail 2857 Series

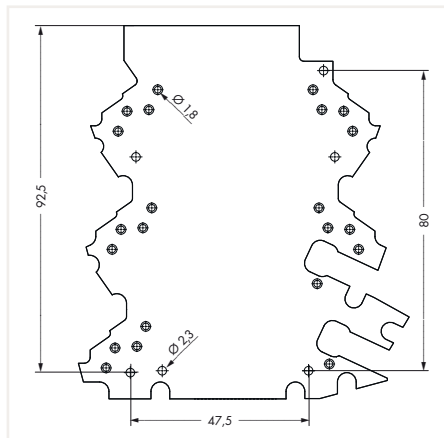
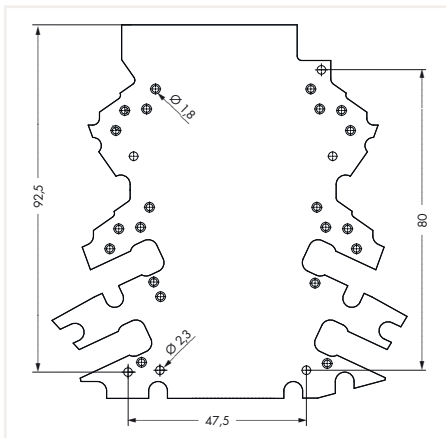
Connection levels: 2-2; Jumper slots: 2-2

Connection levels: 3-2; Jumper slots: 0-2



Item No.	PU
2857-191/3140-000	5

Item No.	PU
2857-192/3140-000	5

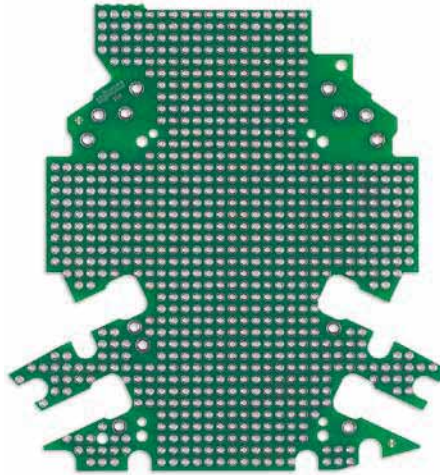
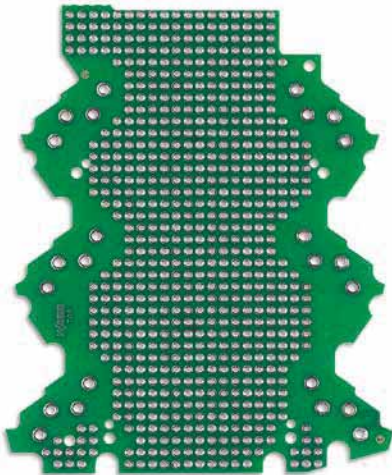




# Stripboards ▶ for Installation in Empty Housings ▶ for DIN-35 rail 2857 Series

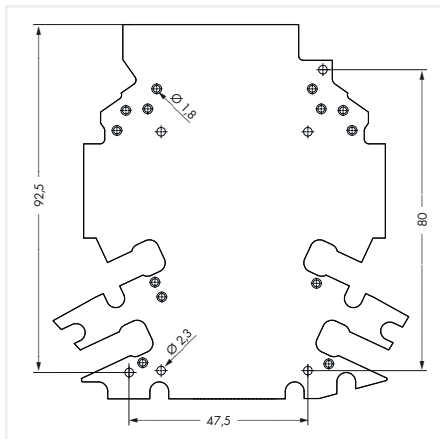
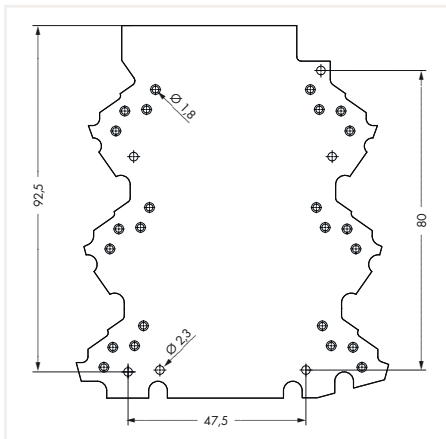
Connection levels: 3-3; Jumper slots: 0-0

Connection levels: 1-1; Jumper slots: 2-2



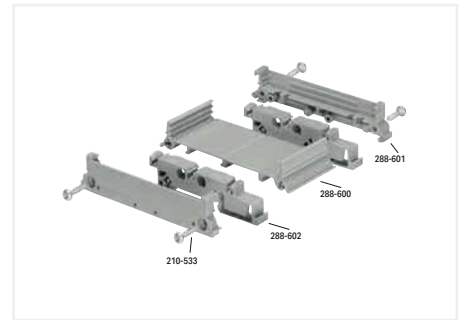
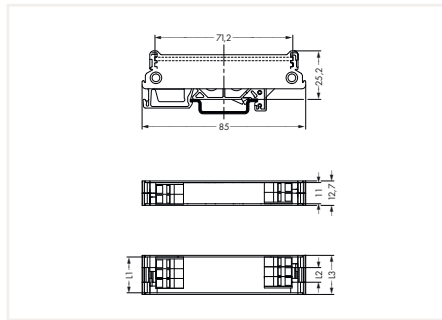
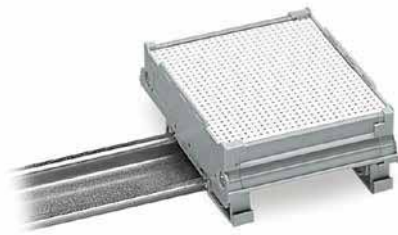
Item No.	PU
2857-193/3140-000	5

Item No.	PU
2857-194/3140-000	5



PU = Packaging Unit; SPU = Subpackaging Unit; Dimensions in mm

# DIN-Rail Mount PCB Carriers 288 Series

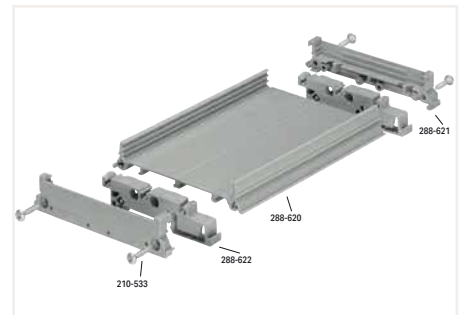
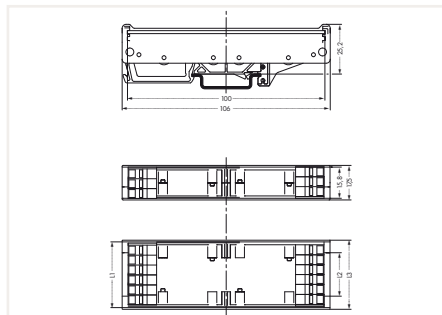


Mounting carrier (size 1)

Length calculation for a complete mounting carrier:

- PCB length: L1
- Base length: L2 = L1 - 11 mm
- Mounting carrier length: L3 = L1 + 2 mm
- Lateral cover (size 1): 6.35 mm thick
- Free space between base and PCB (when using upper PCB groove): 5 mm
- PCB tolerances: 1.5 mm ± 0.2 mm (thickness), ± 0.2 mm (length/width); -0.1/+0.3 for milling contours

Mounting carrier; size 1		
Description	Item No.	PU
Lateral cover; size 1; small; 6.35 mm thick	288-601	1
Mounting foot for DIN-35 rail	288-602	1
Carrier base; size 1; 1 m long	288-600	1



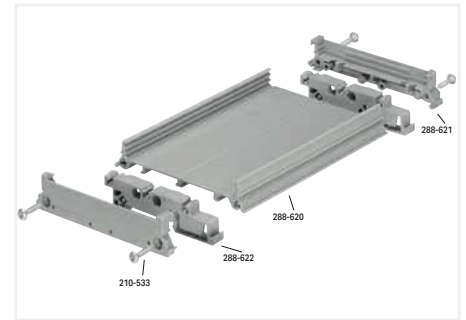
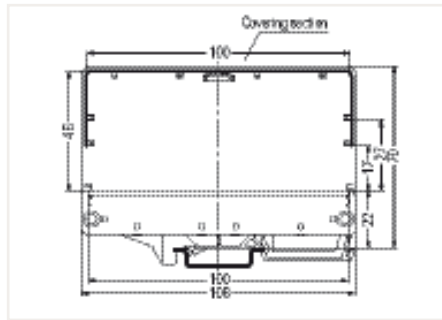
Mounting carrier (size 2)

Length calculation for a complete mounting carrier:

- PCB length: L1
- Base length: L2 = L1 - 15.8 mm
- Mounting carrier length: L3 = L1 + 2 mm
- Cover length: L4 = L1
- Lateral cover (size 2): 8.75 mm thick
- Free space between base and PCB (when using upper PCB groove): 5 mm
- PCB tolerances: 1.5 mm ± 0.2 mm (thickness); ± 0.2 mm (length/width); -0.1/+0.3 for milling contours

Mounting carrier; size 2		
Description	Item No.	PU
Lateral cover; size 2; small; 8.75 mm thick	288-621	1
Mounting foot for DIN-35 rail	288-622	1
Carrier base; size 2; 1 m long	288-620	1

# DIN-Rail Mount PCB Carriers 288 Series



Mounting carrier (size 2)

Length calculation for a complete mounting carrier:

- PCB length: L1
- Base length: L2 = L1 - 15.8 mm
- Mounting carrier length: L3 = L1 + 2 mm
- Cover length: L4 = L1
- Lateral cover (size 2): 8.75 mm thick
- Free space between base and PCB (when using upper PCB groove): 5 mm
- PCB tolerances: 1.5 mm ± 0.2 mm (thickness); ± 0.2 mm (length/width); -0.1/+0.3 for milling contours

Mounting carrier; size 2; with cover		
Description	Item No.	PU
Lateral cover; size 2; large; 8.75 mm thick	288-626	1
Cover; size 2; 1 m long	288-627	1

Accessories; for all products on this page

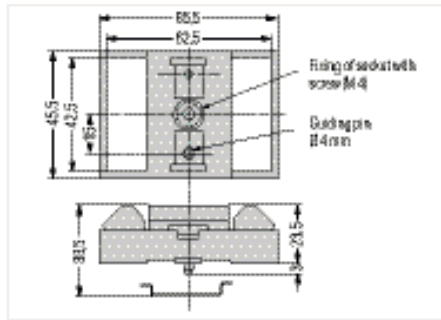
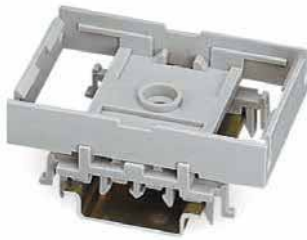
Marking strips



Description	Item No.	PU
Phillips screw 2.9 x 13*	210-533	25
Marking strip 7.5 x 0.5 mm; 1 m long; translucent	709-196	1

\* Two pieces per lateral cover; for a module length of 35 mm or higher; lateral covers must be riveted for smaller modules. Rivet length depends on module length (rivets are not offered by WAGO).

## DIN-Rail-Mount PCB Carriers and Feet Series 288














Mounting carrier			
Description		Item No.	PU
Mounting carrier	For screw mounting or DIN-rail mounting via universal snap-on type mounting feet (to be ordered separately)	288-001	1
Universal mounting foot	Snap-on type; for DIN-15, DIN-32 and DIN-35 rails	288-002	10
Mounting carrier for PCBs	Suitable for a "Eurocard" PCB (100 x 160 mm)	288-003	1



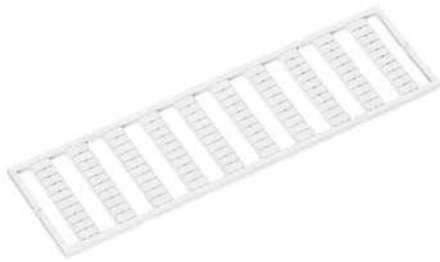


# WAGO Accessories and WAGO Tools

## WAGO Accessories and WAGO Tools

		Page
	Marking Systems	830
	DIN-Rails	836
	Operating Tools	838
	Cable Strippers	842
	Stripping Tools	844
	Crimping Tools for Ferrules	846
	Ferrules	847
	Cable Cutter	850
	„Alu-Plus“ Contact Paste	851
	Test and Measurement Devices	852
	Test Plugs	854

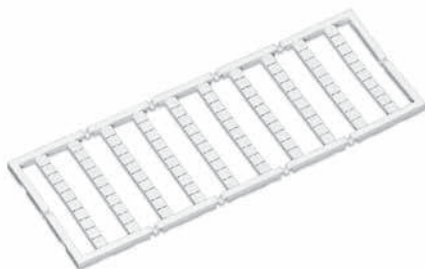
## Marking System



WMB marker card; plain; 10 strips with 10 markers/card			
Color	5 mm Item No.	5 ... 5.2 mm Item No.	Pack. Unit
○ white	793-501	793-5501	5
● yellow	793-501/000-002	793-5501/000-002	5
● red	793-501/000-005	793-5501/000-005	5
● blue	793-501/000-006	793-5501/000-006	5
○ gray	793-501/000-007	793-5501/000-007	5
● orange	793-501/000-012	793-5501/000-012	5
● light green	793-501/000-017	793-5501/000-017	5
● green	793-501/000-023	793-5501/000-023	5
● violet	793-501/000-024	793-5501/000-024	5



WMB Inline; plain; 1,500 WMB markers (5 mm)/reel; stretchable 5 ... 5.2 mm		
Color	3.5 mm Item No.	Pack. Unit
○ white	2009-115	1



Mini-WSB marker card; plain; 10 strips with 10 markers/card		
Color	3.5 mm Item No.	Pack. Unit
○ white	248-501	5
● yellow	248-501/000-002	5
● red	248-501/000-005	5
● blue	248-501/000-006	5
○ gray	248-501/000-007	5
● orange	248-501/000-012	5
● light green	248-501/000-017	5
● green	248-501/000-023	5
● violet	248-501/000-024	5



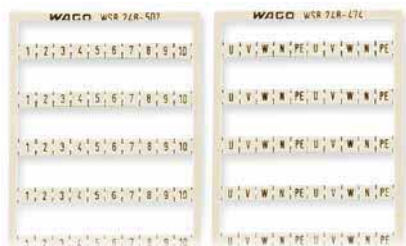
Mini-WSB Inline; plain; 1,700 markers (5 mm)/reel; stretchable 5 ... 5.2 mm		
Color	3.5 mm Item No.	Pack. Unit
○ white	2009-145	1



Felt-tip pen; for permanent marking		
	Item No.	Pack. Unit
	210-110	1



## Printed Marker Card



Mini-WSB marker card; e.g., for 745 and 831 Series; 10 strips with 10 markers per card; Horizontal marking; Consecutive numbers/letters per strip

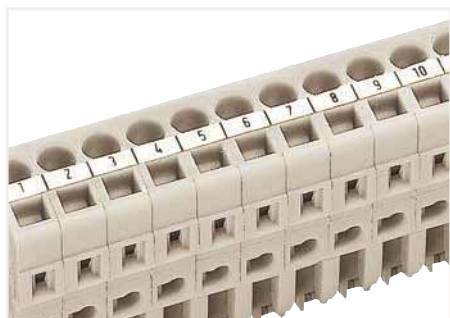
Marking per card	Item No.	Pack. Unit
1 ... 10 (10x)	248-502	5 cards
11 ... 20 (10x)	248-503	5 cards
21 ... 30 (10x)	248-504	5 cards
31 ... 40 (10x)	248-505	5 cards
41 ... 50 (10x)	248-506	5 cards
51 ... 60 (10x)	248-569	5 cards
61 ... 70 (10x)	248-570	5 cards
71 ... 80 (10x)	248-571	5 cards
81 ... 90 (10x)	248-572	5 cards
91 ... 100 (10x)	248-573	5 cards
1 ... 50 (2x)	248-566	5 cards
51 ... 100 (2x)	248-507	5 cards
101 ... 150 (2x)	248-508	5 cards
151 ... 200 (2x)	248-509	5 cards
201 ... 300 (2x)	248-510	5 cards
301 ... 400 (2x)	248-511	5 cards
401 ... 500 (2x)	248-512	5 cards
501 ... 600 (2x)	248-513	5 cards
601 ... 700 (2x)	248-514	5 cards
701 ... 800 (2x)	248-515	5 cards
801 ... 900 (2x)	248-516	5 cards
901 ... 1000 (2x)	248-517	5 cards
1 ... 9, ; (10x)	248-565	5 cards
U, V, W, N, PE, U, V, W, N, PE; (10x)	248-474	5 cards
L1, L2, L3, N, PE, L1, L2, L3, N, PE; (10x)	248-472	5 cards



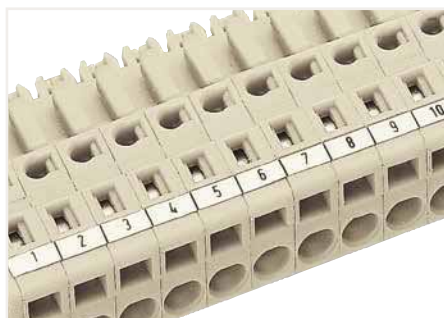
WMB marker card; e.g., for 745 Series (4 mm<sup>2</sup> / 10 mm pin spacing) and 831 Series; 10 strips with 10 markers per card; Horizontal marking; Consecutive numbers per strip

Marking per card	Item No.	Pack. Unit
1 ... 10 (10x)	793-502	5 cards
11 ... 20 (10x)	793-503	5 cards
21 ... 30 (10x)	793-504	5 cards
31 ... 40 (10x)	793-505	5 cards
41 ... 50 (10x)	793-506	5 cards
51 ... 60 (10x)	793-569	5 cards
61 ... 70 (10x)	793-570	5 cards
71 ... 80 (10x)	793-571	5 cards
81 ... 90 (10x)	793-572	5 cards
91 ... 100 (10x)	793-573	5 cards
1 ... 50 (2x)	793-566	5 cards
51 ... 100 (2x)	793-507	5 cards
101 ... 150 (2x)	793-508	5 cards
151 ... 200 (2x)	793-509	5 cards
201 ... 300 (2x)	793-510	5 cards
301 ... 400 (2x)	793-511	5 cards
401 ... 500 (2x)	793-512	5 cards
501 ... 600 (2x)	793-513	5 cards
601 ... 700 (2x)	793-514	5 cards
701 ... 800 (2x)	793-515	5 cards
801 ... 900 (2x)	793-516	5 cards
901 ... 1000 (2x)	793-517	5 cards
1 ... 9, ; (10x)	793-565	5 cards
L1, L2, L3, N, PE, L1, L2, L3, N, PE; (10x)	793-472	5 cards

## Marking Card; Self-Adhesive Marking Strips



Marking MCS Connectors – parallel to conductor entry.



Marking MCS Connectors – perpendicular to conductor entry.



Marking PCB terminal blocks (256 Series).

### Marking card for 2.5 mm pin spacing; for 218, 233, 234, 250 Series and MCS MICRO male and female connectors; Marking perpendicular to conductor entry

Marking	Strip height	Item No.	Pack. Unit
1 ... 16 (400 x)	2.3 mm	210-331/250-202	1 card/100 strips
17 ... 32 (400 x)	2.3 mm	210-331/250-204	1 card/100 strips
33 ... 48 (400 x)	2.3 mm	210-331/250-206	1 card/100 strips
1 ... 48 (400 x)	2.3 mm	210-331/250-207	1 card/100 strips

### Marking card for 2.54 mm pin spacing; for 218, 233, 234, 250 Series

Marking	Strip height	Item No.	Pack. Unit
1 ... 16 (400 x)	2.3 mm	210-331/254-202	1 card/100 strips
17 ... 32 (400 x)	2.3 mm	210-331/254-204	1 card/100 strips
33 ... 48 (400 x)	2.3 mm	210-331/254-206	1 card/100 strips
1 ... 48 (100 x)	2.3 mm	210-331/254-207	1 card/100 strips

### Marking card for 3.5 mm pin spacing; for 250, 252, 739, 805 Series and MCS MINI male and female connectors; Marking perpendicular to conductor entry

Marking	Strip height	Item No.	Pack. Unit
1 ... 16 (240 x)	3 mm	210-332/350-202	1 card/80 strips
17 ... 32 (240 x)	3 mm	210-332/350-204	1 card/80 strips
33 ... 48 (240 x)	3 mm	210-332/350-206	1 card/80 strips

### Marking card for 3.81 mm pin spacing; for 235, 734, 735, 739 Series

Marking	Strip height	Item No.	Pack. Unit
1 ... 16 (160 x)	3 mm	210-332/381-202	1 card/80 strips
17 ... 32 (160 x)	3 mm	210-332/381-204	1 card/80 strips
33 ... 48 (160 x)	3 mm	210-332/381-206	1 card/80 strips
1 ... 32 (80 x)	3 mm	210-332/381-205	1 card/80 strips

### Marking card for 3.96 mm pin spacing; for 235 Series

Marking	Strip height	Item No.	Pack. Unit
1 ... 16 (160 x)	3 mm	210-332/396-202	1 card/80 strips
17 ... 32 (160 x)	3 mm	210-332/396-204	1 card/80 strips
33 ... 48 (160 x)	3 mm	210-332/396-206	1 card/80 strips
1 ... 32 (80 x)	3 mm	210-332/396-205	1 card/80 strips

### Marking card for 4 mm pin spacing; for 235 Series

Marking	Strip height	Item No.	Pack. Unit
1 ... 16 (160 x)	3 mm	210-332/400-202	1 card/80 strips
17 ... 32 (160 x)	3 mm	210-332/400-204	1 card/80 strips
33 ... 48 (160 x)	3 mm	210-332/400-206	1 card/80 strips
1 ... 32 (80 x)	3 mm	210-332/400-205	1 card/80 strips

## Marking Card; Self-Adhesive Marking Strips

Marking card for 5 mm pin spacing; for 235, 236, 250, 253, 254, 255, 256, 257, 736, 737, 738, 739, 740, 741, 745, 806, 816 Series and MCS MIDI male and female connectors; Marking perpendicular to conductor entry

Marking	Strip height	Item No.	Pack. Unit
1 ... 16 (160 x)	3 mm	210-332/500-202	1 card/80 strips
17 ... 32 (160 x)	3 mm	210-332/500-204	1 card/80 strips
33 ... 48 (160 x)	3 mm	210-332/500-206	1 card/80 strips
1 ... 32 (80 x)	3 mm	210-332/500-205	1 card/80 strips

Marking card for 5 mm pin spacing; for 804 Series and MCS MIDI male and female connectors with CAGE CLAMP® connection; Marking parallel to conductor entry

Marking	Strip height	Item No.	Pack. Unit
1 ... 12 (300 x)	2.3 mm	210-331/500-103	1 card/100 strips
13 ... 24 (300 x)	2.3 mm	210-331/500-104	1 card/100 strips

Marking card for 5.08 mm pin spacing; for 235, 236, 254, 255, 256, 257, 736, 737, 738, 739, 741 Series and MCS MIDI male and female connectors; Marking perpendicular to conductor entry

Marking	Strip height	Item No.	Pack. Unit
1 ... 16 (160 x)	3 mm	210-332/508-202	1 card/80 strips
17 ... 32 (160 x)	3 mm	210-332/508-204	1 card/80 strips
33 ... 48 (160 x)	3 mm	210-332/508-206	1 card/80 strips
1 ... 32 (80 x)	3 mm	210-332/508-205	1 card/80 strips

Marking card for 5.08 mm pin spacing; for MCS MIDI male and female connectors with CAGE CLAMP® connection; Marking parallel to conductor entry

Marking	Strip height	Item No.	Pack. Unit
1 ... 12 (200 x)	2.3 mm	210-331/508-103	1 card/100 strips
13 ... 24 (200 x)	2.3 mm	210-331/508-104	1 card/100 strips

Marking card for 5.75 mm pin spacing; for 243 Series

Marking	Strip height	Item No.	Pack. Unit
1 ... 12 (160 x)	3 mm	210-332/575-103	1 card/80 strips

Marking card for 7 mm pin spacing; for 826 Series

Marking	Strip height	Item No.	Pack. Unit
1 ... 12 (160 x)	3 mm	210-332/700-103	1 card/80 strips
12 ... 1 (160 x)	3 mm	210-332/700-102	1 card/80 strips

Marking card for 7.5 mm pin spacing; for 235, 236, 239, 250, 254, 255, 256, 257, 736, 737, 739, 741, 746, 745 Series and MCS MIDI male and female connectors; Marking perpendicular to conductor entry

Marking	Strip height	Item No.	Pack. Unit
1 ... 20 (80 x)	3 mm	210-332/750-020	1 card/80 strips

Marking card for 7.5 mm pin spacing; for 804 Series and MCS MIDI male and female connectors with CAGE CLAMP® connection; Marking parallel to conductor entry

Marking	Strip height	Item No.	Pack. Unit
1 ... 16 (100 x)	2.3 mm	210-331/750-202	1 card/100 strips

Marking card for 7.62 mm pin spacing; for 235, 236, 254, 255, 256, 257, 736, 737, 739, 741 Series and MCS MIDI male and female connectors; Marking perpendicular to conductor entry

Marking	Strip height	Item No.	Pack. Unit
1 ... 20 (80 x)	3 mm	210-332/762-020	1 card/80 strips

Marking card for 7.62 mm pin spacing; for MCS MIDI male and female connectors with CAGE CLAMP® connection; Marking parallel to conductor entry

Marking	Strip height	Item No.	Pack. Unit
1 ... 16 (100 x)	2.3 mm	210-331/762-202	1 card/100 strips

## Marking Card; Self-Adhesive Marking Strips

Marking card for 7.62 mm pin spacing; for MCS MAXI male and female connectors			
Marking	Strip height	Item No.	Pack. Unit
1 ... 16 (100 x)	5 mm	210-334/762-202	1 card/48 strips

Marking card for 10 mm pin spacing; for 235, 236, 254, 255, 256, 257, 736, 737, 741, 745 Series			
Marking	Strip height	Item No.	Pack. Unit
1 ... 16 (80 x)	3 mm	210-332/1000-202	1 card/80 strips
17 ... 32 (80 x)	3 mm	210-332/1000-204	1 card/80 strips
33 ... 48 (80 x)	3 mm	210-332/1000-206	1 card/80 strips

Marking card for 10.16 mm pin spacing; for 235, 236, 254, 255, 256, 257, 736, 737, 741 Series			
Marking	Strip height	Item No.	Pack. Unit
1 ... 16 (80 x)	3 mm	210-332/1016-202	1 card/80 strips
17 ... 32 (80 x)	3 mm	210-332/1016-204	1 card/80 strips
33 ... 48 (80 x)	3 mm	210-332/1016-206	1 card/80 strips

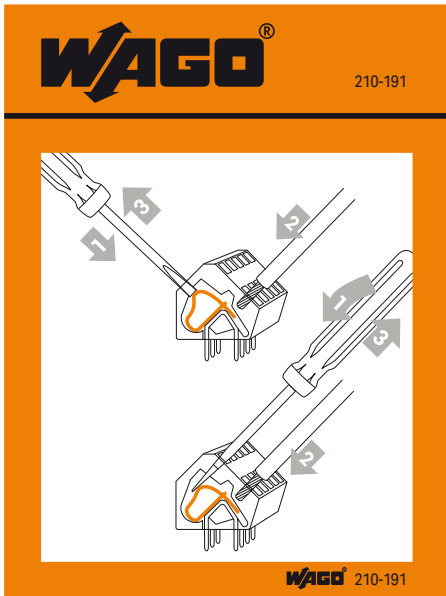
  

Marking card available for all pin spacings:			
Marking	Strip height	Item No.	Pack. Unit
plain*	2.3 mm	210-331	1 card/100 strips
plain*	3 mm	210-332	1 card/80 strips
plain*	5 mm	210-334	1 card/48 strips
Only separators printed	2.3 mm	210-331/xxxx-001	1 card/100 strips
Only separators printed	3 mm	210-332/xxxx-001	1 card/80 strips
Only separators printed	5 mm	210-334/xxxx-001	1 card/48 strips
Ordering example: 5.08 mm pin spacing; 3 mm strip height: 210-332/508-001		(xxxx = pin spacing)	

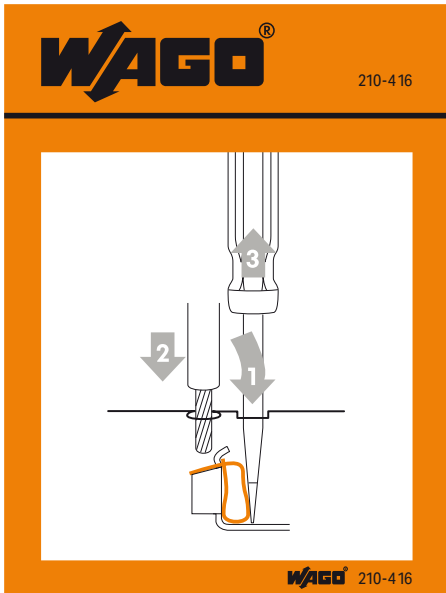
\* Plain marker cards can be printed via WAGO Smart Script.

WAGO Smart Script is part of the WAGO ProServe® Software. You can download this free software at [www.wago.com](http://www.wago.com).

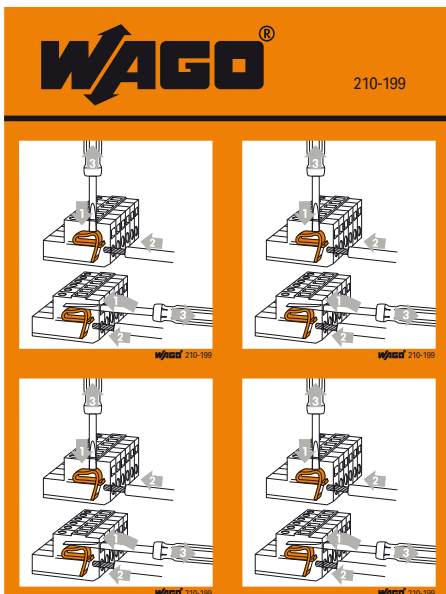
## Sticker with Operating Instructions



Sticker with operating instructions; for PCB terminal blocks with CAGE CLAMP® connection; Size: (60 x 63) mm		
Series	Item No.	Pack. Unit
236	210-191	100
736, 737 and 738	210-406	100



Sticker with operating instructions; for CAGE CLAMP® connection; Size: (60 x 63) mm		
Series	Item No.	Pack. Unit
universal	210-416	100



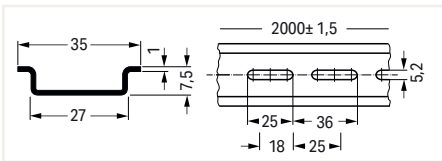
Sticker with operating instructions; for MCS Connectors with CAGE CLAMP® connection; Size: (30 x 30) mm x 4 mm		
Series	Item No.	Pack. Unit
universal	210-199	100
713	210-493	100

# DIN-Rail

For the entire range of WAGO DIN-rail types, refer to Full Line Catalog, Volume 1, Rail-Mount Terminal Block Systems, or visit [www.wago.com](http://www.wago.com).



Dimensions in mm



Steel DIN-rail; I<sub>N</sub> 76 A (based on 1 m length); 35 x 7.5 mm; 1 mm thick; 2 m long; per EN 60715

	Item No.	Pack. Unit
unslotted	210-113	10 (1)

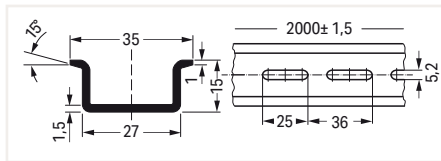
Hole width: 25 mm; Hole spacing: 36 mm

slotted	210-112	10 (1)
---------	---------	--------

Hole width: 18 mm; Hole spacing: 25 mm

slotted	210-115	1
---------	---------	---

Dimensions in mm



Steel DIN-rail; I<sub>N</sub> 125 A (based on 1 m length); 35 x 15 mm; 1.5 mm thick; 2 m long; similar to EN 60715

	Item No.	Pack. Unit
unslotted	210-114	10 (1)
slotted	210-197	10 (1)

## Screw

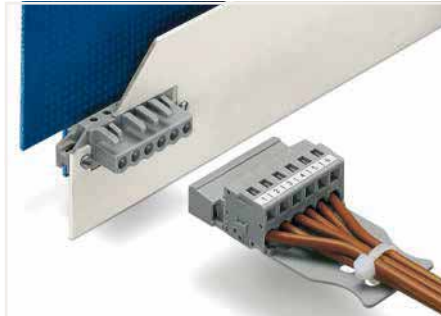


Self-tapping screw; for 1.8 mm Ø mounting hole

Dimensions	Item No.	Pack. Unit
B 2.2 x 9.5 mm	209-147	200 (100)
B 2.2 x 13 mm	231-194	200 (100)

Screw with nut; e.g., for locking device or mounting flange

Dimensions	Item No.	Pack. Unit
M 2 x 12 mm	231-195	200 (100)
M 2.5 x 10 mm	231-295	200 (100)



The innovative flange design provides standard panel mounting options or various through-panel mounting configurations. Depending on the type of application and flange, female headers can be used either for through-panel or flush mounted applications.



Locking devices enhance connection reliability between male headers with angled solder pins and the PCB. This substantially reduces mechanical stress on both solder pins and joints, particularly when dealing with small lengths and frequent mating cycles.

## Operating Tool



Operating tool with a partially insulated shaft; Type 1; (2.5 x 0.4) mm blade

Item No.	Pack. Unit
210-719	50 (1)



Set of operating tools with a partially insulated shaft; Type 1; (2.5 x 0.4) mm blade; Type 2; (3.5 x 0.5) mm blade; Type 3; (5.5 x 0.8) mm blade

Item No.	Pack. Unit
210-722	1



Operating tool with a partially insulated shaft; Type 1; (2.5 x 0.4) mm blade; short

Item No.	Pack. Unit
210-647	50 (1)

Operating tool with a partially insulated shaft; Type 2; (3.5 x 0.5) mm blade

210-720	50 (1)
---------	--------

Operating tool with a partially insulated shaft; (2.5 x 0.4) mm blade; short; angled

210-648	50 (1)
---------	--------

Operating tool with a partially insulated shaft; type 3; (5.5 x 0.8) mm blade

210-721	25 (1)
---------	--------

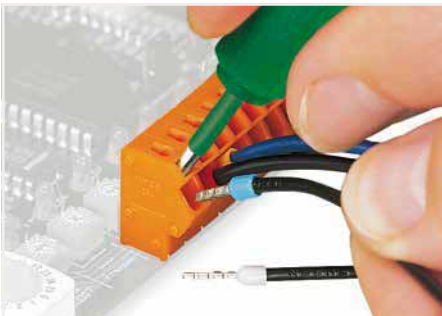
Operating tool with a partially insulated shaft; (3.5 x 0.5) mm blade; short

210-657	50 (1)
---------	--------

210-722	1
---------	---

Operating tool with a partially insulated shaft; (3.5 x 0.5) mm blade; short; angled

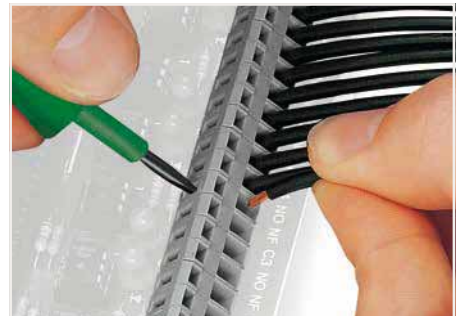
210-658	50 (1)
---------	--------



Thanks to their blade dimensions, the offered operating tools are ideal for operating both PCB terminal blocks and MCS Connectors.



Set of operating tools in a box (210-722)



The offered operating tools with blade dimensions per DIN 5264 are ideal for operating PCB terminal blocks.



## Operating Tool



Operating tool; for 233 and 733 Series		
	Item No.	Pack. Unit
metal; partially insulated; green	233-335	50 (1)
insulated; natural	233-332	500 (50)
insulated; yellow	233-331	500 (25)



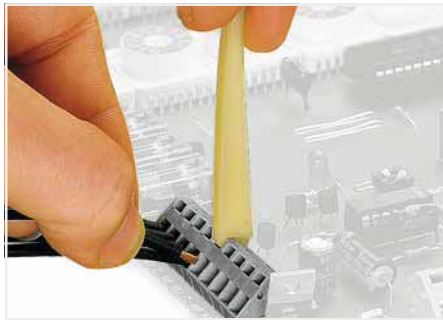
Operating tool; for 236 Series		
	Item No.	Pack. Unit
insulated	236-332	400 (50)
metal	236-335	500 (1)



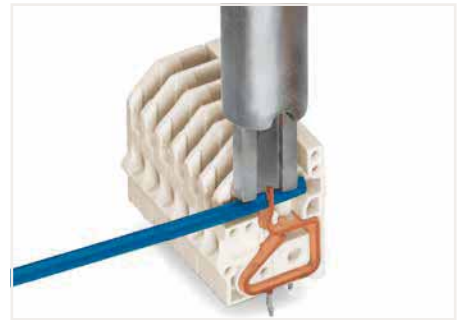
Connection tool; for IDC termination; for 251 Series		
	Item No.	Pack. Unit
	206-831	25 (1)



Compared to standard screwdrivers, these operating tools are far more convenient for wiring PCB terminal strips at factory.



Inserting a conductor via operating tool.



## Operating Tool; Disconnection Tool



Disconnection tool; with two replacement blades in the handle; removes conductors from 251 Series PUSH WIRE® Connectors; "mini" version

Item No.	Pack. Unit
206-830	1



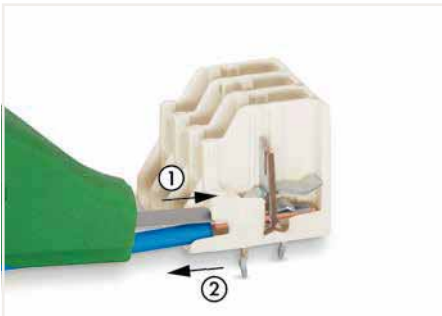
Disconnection tool; for 744 Series

Item No.	Pack. Unit
206-841	1



Operating tool, for male and female connectors equipped with CAGE CLAMP® connection, 5/5.08 mm and 7.5/7.62 mm pin spacings

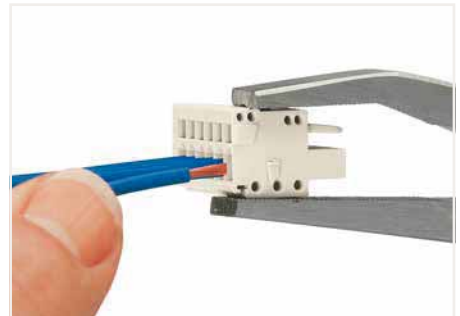
Color	Item No.	Pack. Unit
● yellow	210-251	20
● red	210-250	20



Disconnection tool includes two replacement blades in the handle.



When operating the handles beyond the locked position, the ratchet allows the tool to open and be removed from the terminal block.



The operating pliers are placed into the upper operating slot of the rail-mount terminal block and the clamp is hooked into the lateral operating slot. The contact is fully opened by pressing the handles together until they engage. This will allow both hands to be used for wiring the terminal blocks.



Disconnection tool includes two replacement blades in the handle.



## Cable Knife

Never use this tool on or near live electrical circuits!



Cable knife; for  $\varnothing$  8 ... 28 mm / 0.31 ... 1.10 inch; with a unique, changeable cable bracket system; including cable bracket

	Item No.	Pack. Unit
	206-1403	1

Cable knife set; for  $\varnothing$  4 ... 70 mm / 0.16 ... 2.75 inch; including all cable brackets in a Sortimo® Box

	Item No.	Pack. Unit
	206-1400	1

### Accessories; item-specific

Cable bracket; for  $\varnothing$  4 ... 16 mm / 0.16 ... 0.63 inch

206-1411	1
----------	---

Cable bracket; for  $\varnothing$  8 ... 28 mm / 0.31 ... 1.10 inch

206-1412	1
----------	---

Cable bracket; for  $\varnothing$  27 ... 35 mm / 1.06 ... 1.38 inch

206-1413	1
----------	---

Cable bracket; for  $\varnothing$  35 ... 50 mm / 1.38 ... 1.97 inch

206-1414	1
----------	---

Cable bracket; for  $\varnothing$  50 ... 70 mm / 1.97 ... 2.75 inch

206-1415	1
----------	---

### Accessories

Spare inside blade

206-1418	1
----------	---

Spare hook blade

206-1419	1
----------	---



# Cable Stripper



In-socket cable stripper; for Ø 8 ... 13 mm / 5/16 ... 1/2 inch

	Item No.	Pack. Unit
	206-1441	1



Universal cable stripper; for Ø 8 ... 13 mm / 5/16 ... 1/2 inch

	Item No.	Pack. Unit
	206-1442	1



Data cable stripper; for Ø 4.5 ... 10 mm / 3/16 ... 3/8 inch

	Item No.	Pack. Unit
	206-1451	1



**Product features:**

- Extra long design and improved force transmission simplifies stripping in deep device connection sockets
- Special four-blade design for an even more precise round cut
- No cutting depth adjustment required
- TiN-coated blades, TÜV/GS tested
- Ø 8 ... 13 mm / 5/16 ... 1/2 inch
- Strips all standard round cables, including NYM 3 x 1.5 mm<sup>2</sup> ... 5 x 2.5 mm<sup>2</sup>



**Product features:**

- Secure grip achieved with soft padding for non-slip grips
- Technically improved functionality
- New locking mechanism prevents the unwanted opening of the tool
- Absolutely straightforward, quick and easy longitudinal cuts – with innovative internal cable duct
- Redesigned blade layout and intake to stop cable waste from jamming the tool
- Durable and ergonomically designed pocket clip
- Ø 8 ... 13 mm / 5/16 ... 1/2 inch



**Product features:**

- Strip outer insulation and foil sheathing with one tool
- Ideal for stripping PVC-insulated data cables with thin insulation (e.g., Cat 5, Cat 6, Cat 7, twisted-pair cables)
- TiN-coated blades
- Ø 4.5 ... 10 mm / 3/16 ... 3/8 inch



# Cable Stripper



Never use this tool on or near live electrical circuits!

The stripping pliers for sensor cables have a blade geometry specially designed for sensor cables with a smaller cross section and a working range from Ø 3.2 mm (for stranded cables and round cables with Ø 3.2 mm ... 4.4 mm / 0.13 ... 0.17 inch).

The stripping pliers for control cables are designed for stronger cables from Ø 4.4 mm (for stranded cables and round cables with Ø 4.4 mm ... 7 mm / 0.17 ... 0.27 inch).

These stripping pliers quickly and safely strip cables for connecting, e.g., sensor/actuator distribution boxes, bus couplers and pluggable connectors.

Suitable for:

- Halogen-free PUR sensor/actuator cables
- Highly flexible TPE-U cables
- Control cables
- PUR cables
- PUR/PVC cables
- PVC cables
- Multi-core cables
- Shielded and unshielded cables

Stripping pliers; for sensor cables		
Item No.	Pack. Unit	
206-1481	1	

Stripping pliers; for control cables		
Item No.	Pack. Unit	
206-1482	1	

Accessories; item-specific		
Replacement blade set; for Ø 3.2 ... 4.4 mm / 0.13 ... 0.17 inch		
206-1491	1	

Accessories; item-specific		
Replacement blade set; for Ø 4.4 ... 7 mm / 0.17 ... 0.27 inch		
206-1492	1	



## Wire Stripper



Wire stripper "Quickstrip Vario"; 0.03 ... 16 mm<sup>2</sup> / 34 ... 6 AWG

	Item No.	Pack. Unit
	206-1125	1

### Accessories

Blade set; Standard; 0.03 ... 16 mm<sup>2</sup> / 34 ... 6 AWG

206-1126	1
----------	---

Blade set; V-blade; 0.14 ... 4 mm<sup>2</sup> / 24 ... 12 AWG

206-1127	1
----------	---

Blade set; Oval blade; 10 ... 16 mm<sup>2</sup> / 8 ... 6 AWG

206-1128	1
----------	---

Spare stripping stop

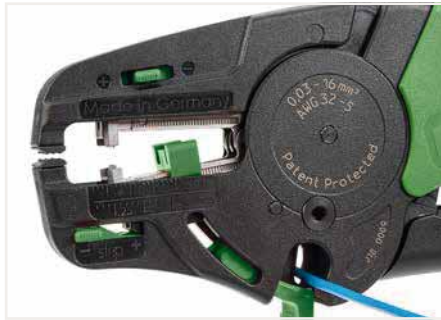
206-1129	1
----------	---

Spare cut protector

206-1131	1
----------	---

Spare clamping jaws

206-1132	1
----------	---



Cutting a conductor.



Partially stripping a conductor.

### Wire Stripper:

- Automatically adjust to conductor size
- Stripping blades cause no damage to conductor strands
- Gripping pressure of jaws adjusts automatically to conductor insulation diameter
- Clamping jaws and stripping blades automatically open once the stripping process is completed – no splaying of the conductor strands
- Exact strip length may be set by sliding black setting stop
- Stripping blades can be replaced
- Self-sharpening, fully protected cutter (replaceable)
- Entire body made of glass-fiber-reinforced polyamide
- Cutting capacity of the wire cutter of fine-stranded conductors up to 16 mm<sup>2</sup> (6 AWG)

## Crimping Tool



Crimping Tool "Variocrimp 4"; for insulated and uninsulated ferrules; Crimping range: 0.25 ... 4 mm<sup>2</sup> (24 ... 12 AWG)

Item No.	Pack. Unit
206-1204	1

Crimping Tool "Variocrimp 16"; for insulated and uninsulated ferrules; Crimping range: 6 mm<sup>2</sup> (10 AWG), 10 mm<sup>2</sup> (8 AWG) and 16 mm<sup>2</sup> (6 AWG)

Item No.	Pack. Unit
206-1216	1

Spring clamp; large

206-1205	1
----------	---

Spring clamp; small

206-1206	1
----------	---

Spring clamp; small

206-1206	1
----------	---

PUR spring set

206-1207	1
----------	---



Insert the ferruled conductor into the crimping station.



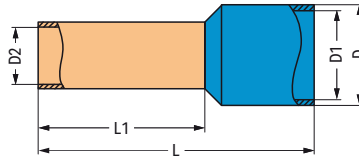
Squeeze handles until ratchet mechanism is released.



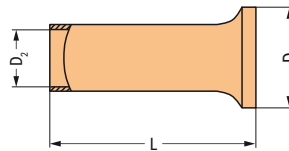
Only for "Variocrimp 16":  
Adjust conductor cross section with crimping tool in open position.



# Insulated and Uninsulated Ferrules



Ferrule; insulated; electro-tin-plated; electrolytic copper; gastight crimped; per DIN 46288 (Part 4/09.09)									
Conductor Cross Section	Color	Strip Length	L	L 1	D	D 1	D 2	Item No.	Pack. Unit
0.25 mm <sup>2</sup> / 24 AWG	yellow	7 mm / 0.28 inch	10	6	2;3	1;8	0;5	216-321	1000
0.25 mm <sup>2</sup> / 24 AWG	yellow	9 mm / 0.35 inch	12	8	2;3	1;8	0;5	216-301	1000
0.34 mm <sup>2</sup> / 22 AWG	green	7 mm / 0.28 inch	10	6	2;5	2	0;5	216-322	1000
0.34 mm <sup>2</sup> / 22 AWG	green	9 mm / 0.35 inch	12	8	2;5	2	0;5	216-302	1000
0.5 mm <sup>2</sup> / 20 AWG	white	7 mm / 0.28 inch	12	6	3;1	2;6	1	216-221	1000
0.5 mm <sup>2</sup> / 20 AWG	white	9 mm / 0.35 inch	14	8	3;1	2;6	1	216-201	1000
0.75 mm <sup>2</sup> / 18 AWG	gray	8 mm / 0.31 inch	12	6	3;3	2;8	1;2	216-222	1000
0.75 mm <sup>2</sup> / 18 AWG	gray	10 mm / 0.39 inch	14	8	3;3	2;8	1;2	216-202	1000
1 mm <sup>2</sup> / 18 AWG	red	8 mm / 0.31 inch	12	6	3;5	3	1;4	216-223	1000
1 mm <sup>2</sup> / 18 AWG	red	10 mm / 0.39 inch	14	8	3;5	3	1;4	216-203	1000
1.5 mm <sup>2</sup> / 16 AWG	black	8 mm / 0.31 inch	12	6	4	3;5	1;7	216-224	1000
1.5 mm <sup>2</sup> / 16 AWG	black	10 mm / 0.39 inch	14	8	4	3;5	1;7	216-204	1000
2.08 mm <sup>2</sup> / 14 AWG	yellow	10 mm / 0.39 inch	15	8	4;8	4;2	2;05	216-205	1000
2.5 mm <sup>2</sup> / 14 AWG	blue	10 mm / 0.39 inch	15	8	4;7	4;2	2;2	216-206	1000
4 mm <sup>2</sup> / 12 AWG	gray	12 mm / 0.47 inch	18	10	5;4	4;8	2;8	216-207	500
6 mm <sup>2</sup> / 10 AWG	yellow	14 mm / 0.55 inch	20	12	6;9	6;3	3;5	216-208	100
10 mm <sup>2</sup> / 8 AWG	red	16 mm / 0.63 inch	22	12	8;4	7;6	4;6	216-209	100
16 mm <sup>2</sup> / 6 AWG	blue	23 mm / 0.91 inch	28	18	9;6	8;8	5;8	216-210	100



Ferrule; uninsulated; electro-tin-plated; electrolytic copper; gastight crimped; per DIN 46288 (Part 4/09.09)						
Conductor Cross Section	Strip Length	L	D	D 2	Item No.	Pack. Unit
0.25 mm <sup>2</sup> / 24 AWG	5 mm / 0.2 inch	5	1;7	0;75	216-151	1000
0.25 mm <sup>2</sup> / 24 AWG	7 mm / 0.28 inch	7	1;7	0;75	216-131	1000
0.34 mm <sup>2</sup> / 22 AWG	5 mm / 0.2 inch	5	1;8	0;85	216-152	1000
0.34 mm <sup>2</sup> / 22 AWG	7 mm / 0.28 inch	7	1;8	0;85	216-132	1000
0.5 mm <sup>2</sup> / 20 AWG	6 mm / 0.24 inch	6	2;1	1	216-121	1000
0.5 mm <sup>2</sup> / 20 AWG	8 mm / 0.31 inch	8	2;1	1	216-101	1000
0.75 mm <sup>2</sup> / 18 AWG	6 mm / 0.24 inch	6	2;3	1;2	216-122	1000
0.75 mm <sup>2</sup> / 18 AWG	8 mm / 0.31 inch	8	2;3	1;2	216-102	1000
1 mm <sup>2</sup> / 18 AWG	6 mm / 0.24 inch	6	2;5	1;4	216-123	1000
1 mm <sup>2</sup> / 18 AWG	8 mm / 0.31 inch	8	2;5	1;4	216-103	1000
1.5 mm <sup>2</sup> / 16 AWG	6 mm / 0.24 inch	6	2;8	1;7	216-124	1000
1.5 mm <sup>2</sup> / 16 AWG	8 mm / 0.31 inch	8	2;8	1;7	216-104	1000
2.5 mm <sup>2</sup> / 14 AWG	10 mm / 0.39 inch	10	3;4	2;2	216-106	1000
4 mm <sup>2</sup> / 12 AWG	10 mm / 0.39 inch	10	4	2;8	216-107	1000
6 mm <sup>2</sup> / 10 AWG	12 mm / 0.47 inch	12	4;7	3;5	216-108	250
10 mm <sup>2</sup> / 8 AWG	12 mm / 0.47 inch	12	5;8	4;5	216-109	250
16 mm <sup>2</sup> / 6 AWG	15 mm / 0.59 inch	15	7;5	5;8	216-110	250

## Crimping Tool



Crimping Tool 25; for insulated and uninsulated ferrules; crimping range: 10 mm<sup>2</sup> (8 AWG), 16 mm<sup>2</sup> (6 AWG) and 25 mm<sup>2</sup> (4 AWG)

Item No.	Pack. Unit
206-1225	1



Crimping Tool 50; for insulated and uninsulated ferrules; crimping range: 35 mm<sup>2</sup> (2 AWG) and 50 mm<sup>2</sup> (1/0 AWG)

Item No.	Pack. Unit
206-1250	1

**Application notes:**

- Improved crimping for higher conductor retention
- Crimping can be performed from either side (for left- or right-handed users).
- Built-in ratchet mechanism ensures gas-tight crimp connection.
- Crimping tools open automatically after crimping operation is complete.
- Ergonomically designed handles.



Insert the ferruled conductor into the crimping station.

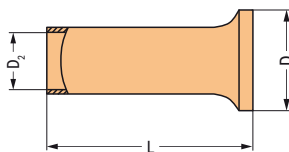


Squeeze handles until ratchet mechanism is released.

**What is a "gas-tight" connection?**

In a gas-tight connection, the conductor and the ferrule are compressed, eliminating all spaces. Under normal atmospheric conditions, neither a liquid nor gaseous medium can penetrate the crimped connection. Oxidation between crimped single conductors is prevented, virtually eliminating the possibility of any increase in the crimped connection's resistance. In some exceptional cases, minute, isolated spaces may be present. However, these instances can be considered as closed off due to the twisted conductor. Inadequate crimping can allow the conductor to be pulled out of the connection. Hollow spaces also remain, permitting oxidation formation and leading to an increase in contact resistance. Elevated resistance is detrimental for both signal transmission (signal flow is damped) and power transmission, resulting in power loss and contact heating (risk of fire). Crimping tools with built-in ratchets are recommended (e.g., WAGO Crimping Tools). These tools open automatically after the crimping operation is complete. Space-saving crimping from all four sides is ideal for spring clamp termination. Ferruled conductor cross sections specified for WAGO products are based on this crimping method.

## Uninsulated Ferrule



Ferrule; uninsulated; electro-tin-plated; electrolytic copper; gastight crimped; per DIN 46288 (Part 4/09.09)

Conductor Cross Section	Strip Length	L	D	D 2	Item No.	Pack. Unit
25 mm <sup>2</sup> / 4 AWG	25 mm / 0.98 inch	25	9,5	7,3	216-413	50
35 mm <sup>2</sup> / 2 AWG	25 mm / 0.98 inch	25	11	8,3	216-414	50
35 mm <sup>2</sup> / 2 AWG	30 mm / 1.18 inch	30	11	8,3	216-424	50
50 mm <sup>2</sup> / 1 AWG	30 mm / 1.18 inch	30	13	10,3	216-425	50
50 mm <sup>2</sup> / 1 AWG	35 mm / 1.38 inch	35	13	10,3	216-435	50

## Cable Cutter



Cable cutter; for copper and aluminum cables up to 35 mm<sup>2</sup> (2 AWG)

Item No.	Pack. Unit
206-118	1



Cutting a cable.

## "Alu-Plus" Contact Paste

### Terminating Aluminum Conductors



Syringe; contains 20 ml "Alu-Plus" Contact Paste

Item No.	Pack. Unit
249-130	20 (5)

#### Terminating Aluminum Conductors

WAGO spring clamp terminal blocks are suitable for solid aluminum conductors ① up to 4 mm<sup>2</sup>/12 AWG if WAGO "Alu-Plus" Contact Paste is used for termination.

Advantages of the "Alu-Plus" Contact Paste:

- Automatically destroys the oxide film during clamping.
- Prevents fresh oxidation at the clamping point.
- Prevents electrolytic corrosion between aluminum and copper conductors (in the same terminal block).
- Provides long-term protection against corrosion.

Using terminal blocks with CAGE CLAMP® Spring Pressure Connection Technology, **aluminum conductors must first be cleaned with a blade** and then immediately be inserted into the clamping units filled with "Alu-Plus" Contact Paste.

It is also possible to apply WAGO "Alu-Plus" **additionally** on the whole surface of the aluminum conductor before termination.

Please note that the nominal currents must be adapted to the reduced conductivity of the aluminum conductors:

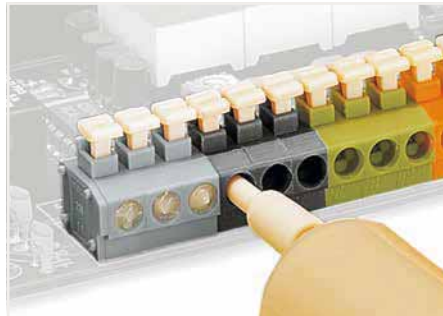
2.5 mm<sup>2</sup> (14 AWG) = 16 A  
4 mm<sup>2</sup> (12 AWG) = 22 A

WAGO "Alu-Plus" in the syringe offers a higher degree of reliability and cleanliness when terminating solid aluminum conductors.

Filling is, for example, quickly performed on WAGO PCB Terminal Trips:

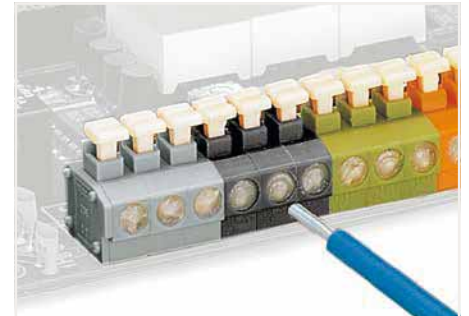
① Aluminum conductors per IEC 61545 standard, Class B, "Alloy 1370" with 90 ... 180 N/mm<sup>2</sup> tensile strength and 1 ... 4 % elongation

Standard values: 90 ... 180 MPa tensile strength, 1 ... 4 % elongation (per EN 615.4.1)



#### WAGO Lighting Connectors

Push nozzle of the "Alu-Plus" syringe first into the circular entry and then into the square conductor entry hole of the WAGO Lighting Connector.



Press plunger down until the "Alu-Plus" has filled both entry holes.

Note: Not suitable for higher temperature applications!

## Test and Measurement Devices 206 Series



Multi-Tester; digital multimeter with non-contact voltage tester

Item No.	Pack. Unit
206-810	1



Clamp-Multi-Tester

Item No.	Pack. Unit
206-816	1



Testboy; with integrated flashlight, non-contact voltage tester

Item No.	Pack. Unit
206-804	1



Multi-Tester features:

- Contact-less voltage test AC >100 V (optical and acoustical)
- Resistance measurement up to 20 MΩ
- Acoustical continuity test
- Diode test
- Data hold function
- Auto power-off function
- LED torch lamp function
- CAT IV 600 V
- TÜV/GS tested and approved
- IEC/EN 61010-1 (DIN VDE 0411)



Voltage testing in control cabinet

Clamp-Multi-Tester features:

- DC and AC current up to 600 A
- True RMS and min./max. value measurement
- DC and AC voltage up to 600 V
- Manual or automatic measurement range selection
- Resistance up to 60 MΩ
- Capacitance measurement, acoustical continuity test
- Diode test, data hold function
- Large LCD with backlight
- LED measuring point lighting
- CAT III 600 V overvoltage protection
- IEC/EN 61010-1 (DIN VDE 0411)
- Includes batteries, measurement leads and carrying bag



A device that will reliably detect AC voltage in cables, sockets, fuses, switches, outlets and other installations. Testboy can detect the following:

- Live conductors
- Cable breaks
- Blown fuses (in cartridges or holders)
- Defective switches
- Defective lamps in strings of lights



Current measurement in a control cabinet

# Test and Measurement Devices

## 206 Series



Profi-LCD+; 2-pole voltage tester with LCD display; removable 4 mm Ø test probes

	Item No.	Pack. Unit
	206-707	1



Profi-LED+; 2-pole voltage tester with LED display; removable 4 mm Ø test probes

	Item No.	Pack. Unit
	206-706	1



Spare test probes; 4 mm Ø (2 pieces)

	Item No.	Pack. Unit
	206-808	25



Additional Profi-LCD+ features:

- Automatic measurement range selection
- Single-pole phase testing AC >100 V
- Two-pole sequence testing (R and L)
- Continuity testing
- RDC/RCD testing (30 mA) via buttons
- One-hand operation for SCHUKO® and CEE sockets
- LED torch lamp function
- Automatic backlight
- Auto power-off function
- CAT IV 1000 V
- TÜV/GS tested and approved
- IEC/EN 61243-3 (DIN VDE 0682-401)



Additional Profi-LED+ features:

- Automatic measurement range selection
- Single-pole phase testing AC >100 V
- Two-pole sequence testing (R and L)
- Continuity testing
- RDC/RCD testing (30 mA) via buttons
- One-hand operation for SCHUKO® and CEE sockets
- LED torch lamp function
- CAT IV 1000 V
- TÜV/GS tested and approved
- IEC/EN 61243-3 (DIN VDE 0682-401)



Profi-LED+:

- Improved socket contact via 4 mm Ø test probes
- Removable test probes for small test ports (suitable for all WAGO Terminal Blocks)



## Test Plug and Test Pin



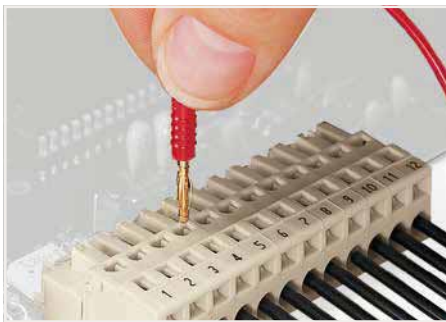
Test plug; with 500 mm cable; 2 mm Ø; max. 42 V		
Color	Item No.	Pack. Unit
● red	210-136	50



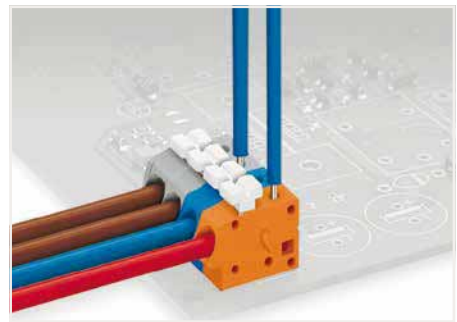
Test plug; with 500 mm cable; 2.3 mm Ø; max. 42 V		
Color	Item No.	Pack. Unit
● yellow	210-137	50



Test pin; with solder connection for test cable; 1 mm Ø		
	Item No.	Pack. Unit
	735-500	1



Testing via 2 mm Ø test plug.



Testing via a 1 mm Ø test pin – touch contact.

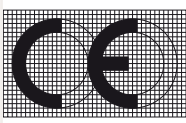

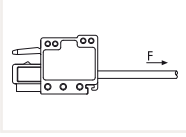











# Technical Section

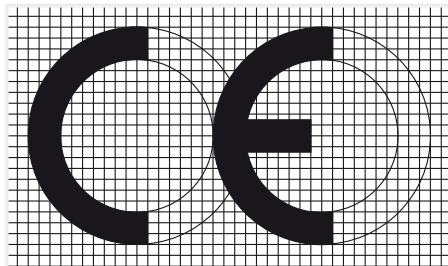
## Technical Section

	Page
	858 860
	862 866 879 880
	882 883
	887
	888 888 890
	891 893 896
	900
	903 902
	904

## CE Marking and EC Directives

### CE Conformity Marking

The CE conformity marking consists of the characters "CE" with the following script:



Communauté Européenne  
(European Community)

WAGO Kontakttechnik GmbH & Co. KG products are developed, tested and marked in accordance with legally valid international standards and laws.

The CE mark is applied to products intended for the European domestic market; with it, manufacturers declare that the marked electrical equipment conforms with the applicable requirements set out in the Community harmonization legislation (EU Directives), which allows such equipment to carry this mark.

The original intention of this mark was to support the authorities in the EU member states in their market supervision, with the mark acting as a symbol of free movement of products within the EU. According to EC Directive 765/2008, a product can only be given the CE mark if the product requirements are defined in at least one appropriate EU directive. Examples of such directives are the Low Voltage Directive, the EMC Directive, the ATEX Directive, the Building Products Directive and the Machinery Directive. If more than one directive applies to a product, the product must comply with **all applicable directives**.

Only the basic requirements for achieving the defined aim of the directive are laid out in each respective directive. The individual technical details are specified according to the New Approach using lists with cross references to applicable standards (so-called harmonized standards).

### 1. Low Voltage Directive (LVD)

The safety of electrical equipment is guaranteed by the Low Voltage Directive (LVD). The LVD covers all electrical equipment operating with a voltage between 50 VAC and 1000 VAC and between 75 VDC and 1500 VDC.

Products falling within the scope of the Low Voltage Directive that are designed in such a way that they can be used in other electrical devices, and whose safety, for the most part, is dependant on how these components were built into the end product and what features the end product has, are defined as basic components in accordance with the Low Voltage Directive.

The LVD doesn't apply to basic components.

The RoHS Directive also applies to electrical equipment covered by the Low Voltage Directive. This directive regulates the use of hazardous substances in electrical devices and components, with the aim of reducing the quantity of problematic components in electrical waste. Details about the materials used by WAGO are available in our catalogs, on our product packaging and on our Web page.

### 2. EMC Directive

The EMC Directive stipulates that a product must meet the limits on radiated electromagnetic disturbance and also requires that a product must be immune to electromagnetic interference.

Electromagnetic passive components or components with no direct function, such as terminal blocks, resistors, diodes, capacitors, switching relays or cables (in the form of passive printed circuit boards) are not considered as apparatus within the meaning of the EMC Directive.

### 3. ATEX Directive on Explosion Protection

The ATEX Directive defines the rules for products (devices and protective systems) intended for use in hazardous locations. A number of products from WAGO are designed for use in hazardous areas.

Based on potential hazards, the ATEX Directive makes a distinction between three different equipment groups, of which Group II and III are subdivided into further zones. Suitability of WAGO products for the different groups and zones is outlined in the specific product documents (catalogs, Internet site, data sheets and product inserts).

These may be either devices that can be used as equipment in these types of areas, or components that are required for safe operation, but which do not fulfill a dedicated function. Such components include rail-mount terminal blocks for use in hazardous areas.

Products in both groups must comply with the ATEX Directive.

### 4. Radio Communications Directive

The Radio Communications Directive applies to all devices that properly transmit or receive radio waves for wireless communications and/or radio orientation. The basic safety requirements apply to the protection of health for humans and animals and to electrical safety in line with the Low Voltage Directive, but without the application of the voltage limit. In addition, the EMC protection goals of the EMC Directive must also be fulfilled and efficient use of radio frequencies ensured. WAGO products covered by the Radio Communications Directive indicate, in compliance with applicable laws, only the Radio Communication Directive in their EU Declaration of Conformity, as fulfillment of the Low Voltage Directive and of the EMC Directive is implicit in this declaration.

## 5. Construction Products Regulation

The Construction Products Regulation demands that structures be designed and constructed such that the safety of humans, property and animals is not endangered and that all applicable environmental protection requirements be considered. Here, building products are defined as products or construction sets which are produced to be built permanently into structures and which make a significant contribution to fulfilling the basic requirements for the structure.

In the unanimous opinion expressed by the German electrical industry, including WAGO Kontakttechnik GmbH & Co. KG, products used in general installation technology are not included among these types of building products and are therefore not covered by this directive.

## 6. Machinery Directive

The Machinery Directive applies to machines (complete or incomplete) which perform their functions by means other than direct human or animal work, or safety components for these types of machines.

Therefore, this directive usually does not apply to WAGO products.

The manufacturers of machines or systems are required by this directive to use safe products and components in their machines and systems. Directive-compliant production and safe operation is facilitated by the use of WAGO products, with their standard-compliant, up-to-date design.

## Significance of CE Mark for WAGO Products

One, several or none of the EU Directives may apply to the various WAGO products. If none of the directives apply, the CE marking will not be affixed to the product, in line with applicable laws. Furthermore, a declaration of conformity must not be issued. All other products are provided with the CE mark – either directly on the product, on its packaging or in the documents included with the product – and a declaration of conformity is issued, or made accessible to the customer.

The data sheets of the technically sound products that, according to the regulations, are not CE marked will refer to the standards used in the development and type and manufacturing testing wherever possible.

## IEC/EN Specifications

The following standards apply to the design and application of the terminal blocks and connectors contained in this catalog:

IEC 60364-1 HD 60364-1 VDE 0100-100 / Erection of power installations with nominal voltages up to 1000 V – Part 1: Fundamental principles, assessment of general characteristics, definitions	IEC 60079-7 EN 60079-7 VDE 0170-6 / Explosive atmospheres – Part 7: Equipment protection by increased safety "e"	IEC 61439-3 EN 61439-3 VDE 0660-600-3 /– Low-voltage switchgear assemblies – Part 3: Distribution boards intended to be operated by ordinary persons (DBO)
IEC 61140 EN 61140 VDE 0140-1 / Protection against electric shock – Common aspects for installation and equipment	IEC 60079-11 EN 60079-11 VDE 0170-7 / Harzardous areas – Part 11: Equipment protection by intrinsic safety "i"	IEC 61643-11 EN 61643-11 VDE 0675-6-11 / Low-voltage surge protective devices – Part 11: Surge protective devices connect-ed to low-voltage power systems – Requirements and test methods
IEC 60364-7-710 HD 60364-7-710 VDE 0100-710 – Part 7-710: Requirements for special instal-lations or locations – Medically used areas	IEC 60079-14 EN 60079-14 VDE 0165-1 / Harzardous areas – Part 14: Electrical installations design, se-lection and erection	IEC 60335-1 EN 60335-1 VDE 0700-1 / Safety of household and similar electrical appliances – Part 1: General requirements
IEC 60364-7-718 HD 60364-7-718 VDE 0100-718 – Part 7-718: Requirements for special instal-lations or locations – Communal facilities and workplaces	IEC 60079-15 EN 60079-15 VDE 0170-16 / Explosive atmospheres – Part 15: Equipment protection by type of protection "n"	IEC 60598-1 EN 60598-1 VDE 0711-1 / Lighting fixtures – Part 1: General requirements and tests
EN 50110-1 VDE 0105-1 / Operation of electrical installations – Part 1: General requirements	IEC 60038 EN 60038 VDE 0175-1 / IEC CENELEC standard voltages	IEC 60715 EN 60715 /– Standardized mounting on rails for me-chanical support of electrical devices in switchgear and control-gear installations
IEC 60664-1 EN 60664-1 VDE 0110-1 / Insulation coordination for equipment within low-voltage systems – Part 1: Principles, requirements and tests	VDE 0298-4 / Use of cables and insulated conductors in power installations – Part 4: Recommended values for current carrying capacities of cables for fixed instal-lation and for flexible cables	IEC 60999-1 EN 60999-1 VDE 0609-1 / Connecting devices – Electrical copper conductors – Safety requirements for screw-type and screwless-type clamping units – Part 1: General requirements and particular requirements for clamping units for conduc-tors from 0.2 mm <sup>2</sup> up to 35 mm <sup>2</sup>
IEC 60204-1 EN 60204-1 VDE 0113-1 / Safety of machinery – Electrical equipment of machines – Part 1: General requirements	IEC 60112 EN 60112 VDE 0303-1 / Method for determining the comparative and the proof tracking indices of solid insula-tion materials	IEC 60999-2 EN 60999-2 VDE 0609-101 – Part 2: General requirements and particular requirements for clamping units for conduc-tors from 35 mm <sup>2</sup> up to 300 mm <sup>2</sup>
IEC 60079-0 EN 60079-0 VDE 0170-1 / Harzardous areas Part 0: Equipment – General requirements	IEC 60529 EN 60529 VDE 0470-1 / Degrees of protection provided by enclo-sures (IP Code) – Testing equipment and testing method	
	IEC 61439-1 EN 61439-1 VDE 0660-600-1 / Low-voltage switchgear and control-gear assemblies – Part 1: General rules	

IEC 60998-1 EN 60998-1 VDE 0613-1 / Connecting devices for low-voltage circuits for household and similar purposes – Part 1: General requirements	IEC 60947-7-4 EN 60947-7-4 VDE 0611-4 – Part 7-4: Ancillary equipment – PCB terminal blocks for copper conductors	IEC 60352-5 EN 60352-5 – Part 5: Press-in connections – General requirements Test methods and practical guidance
IEC 60998-2-1 EN 60998-2-1 VDE 0613-2-1 – Part 2-1: Particular requirements for connecting devices as separate entities with screw-type clamping units	IEC 61984 EN 61984 VDE 0627 / Connectors – Safety requirements and tests	IEC 60352-6 EN 60352-6 – Part 6: Insulation piercing connections – General requirements Test methods and practical guidance
IEC 60998-2-2 EN 60998-2-2 VDE 0613-2-2 – Part 2-2: Particular requirements for connecting devices as separate entities with screwless-type clamping units	IEC 60512-1 EN 60512-1 / Connectors for electronic equipment Equipment – Measurement and test procedures – Part 1: General	IEC 60352-7 EN 60352-7 – Part 7: Spring clamp connections – General requirements Test methods and practical guidance
IEC 60998-2-3 EN 60998-2-3 VDE 0613-2-3 – Part 2-3: Particular requirements for connecting devices as separate entities with insulation-piercing clamping units	IEC 60320-1 EN 60320-1 VDE 0625-1 / Appliance couplers for household and similar general purposes – Part 1: General requirements	
IEC 60947-1 EN 60947-1 VDE 0660-100 / Low-voltage switchgear and controlgear – Part 1: General rules	IEC 60352-1 EN 60352-1 / Solderless connections; – Part 1: Wrapped connections – General requirements Test methods and practical guidance	
IEC 60947-7-1 EN 60947-7-1 VDE 0611-1 – Part 7-1: Ancillary equipment Terminal blocks for copper conductors	IEC 60352-2 EN 60352-2 / Solderless connections; – Part 2: Crimped connections – General requirements Test methods and practical guidance	
IEC 60947-7-2 EN 60947-7-2 VDE 0611-3 – Part 7-2: Ancillary equipment Ground conductor terminal blocks for copper conductors	IEC 60352-3 EN 60352-3 – Part 3: Solderless accessible insulation displacement connections – General requirements Test methods and practical guidance	
IEC 60947-7-3 EN 60947-7-3 VDE 0611-6 – Part 7-3: Ancillary equipment Safety requirements for fuse terminal blocks	IEC 60352-4 EN 60352-4 – Part 4: Solderless non-accessible insulation displacement connections – General requirements Test methods and practical guidance	

## Tests and Testing Procedures per IEC/EN Standards

Products such as connecting devices, rail-mount terminal blocks and connectors, etc., have their own product-specific test specifications. The following sections describe the most important tests and are limited to a description of the test procedures and an explanation of the test purpose. The data shown (e.g., voltages, temperatures, forces) only serve as illustration and may differ depending on the test.

### Mechanical Tests

All WAGO products meet requirements for the following mechanical tests:

#### • Termination Requirements

##### Conductor Termination

Two WAGO connection systems are proven in the field of Spring Pressure Connection Technology:

The **PUSH WIRE® connection** for applications requiring solid conductors (e.g., for lighting and building wiring, telecommunications, house communication or alarm systems).

Conductor range:

0.2 ... 4 mm<sup>2</sup> / 24 ... 12 AWG

The **universal CAGE CLAMP® spring pressure connection system** for solid, stranded and fine-stranded conductors, designed for a variety of industrial, electrical and electronic applications (e.g., fine-stranded conductors in the elevator industry, in power stations, in the chemical and automotive industry, and aboard ships).

Conductor range:

0.08 ... 35 mm<sup>2</sup> (28 ... 2 AWG)

The **Push-in CAGE CLAMP® connection** takes universal CAGE CLAMP® connections further by allowing the termination of 0.2 ... 16 mm<sup>2</sup> (24 ... 6 AWG) solid, stranded and fine-stranded conductors (25 mm<sup>2</sup>/4 AWG only "f-st") and offering all the benefits and safety of the original CAGE CLAMP®. Furthermore, the Push-in CAGE CLAMP® connection technology allows solid, stranded and fine-stranded conductors with ferrules from 0.5 to 16 mm<sup>2</sup> (20 ... 6 AWG) to be terminated by simply pushing them in.

The conductor entry hole is perfectly suited for the insulation diameter of the rated conductor cross section, thus providing good conductor guidance.

This is particularly important for vibration-prone applications.

Fine-stranded conductors of small or very small size are highly flexible, and deform when pushed against the conductor stop in terminal blocks. As a result, the conductor insulation – not the copper conductor – may be clamped, causing intermittent contact or no contact at all.

In order to prevent conductor insulation from being inserted into the clamp, insulation stops are available for WAGO rail-mount terminal blocks up to 4 mm<sup>2</sup> (12 AWG), even providing protection for 0.08 mm<sup>2</sup> (28 AWG) conductors (see Section 5).

### Rated Cross Sections and Connectable Conductors

I. Per IEC 60999-1 / EN 60999-1 / VDE 0609-1, Table 1:

Rated Cross Section	Theoretical Largest Conductor Diameter							Connectable Conductor	
	Metric			AWG				Rigid	Flexible
	Rigid		Flexible	Rigid			Flexible		
	Solid	Stranded		Conductor Size	<sup>b)</sup> Solid	<sup>b)</sup> Class B Stranded		<sup>c)</sup> Class I, K, M Stranded	
mm <sup>2</sup>	mm	mm	mm	Conductor Size	mm	mm	mm	To be defined in the corresponding product standard	
0.2	0.51	0.53	0.61	24	0.54	0.61	0.64		
0.34	0.63	0.66	0.8	22	0.68	0.71	0.8		
0.5	0.9	1.1	1.1	20	0.85	0.97	1.02		
0.75	1	1.2	1.3	18	1.07	1.23	1.28		
1	1.2	1.4	1.5	–	–	–	–		
1.5	1.5	1.7	1.8	16	1.35	1.55	1.6		
2.5	1.9	2.2	2.3 <sup>a)</sup>	14	1.71	1.95	2.08		
4	2.4	2.7	2.9 <sup>a)</sup>	12	2.15	2.45	2.7		
6	2.9	3.3	3.9 <sup>a)</sup>	10	2.72	3.09	3.36		
10	3.7	4.2	5.1	8	3.34	3.89	4.32		
16	4.6	5.3	6.3	6	4.32	4.91	5.73		
25	–	6.6	7.8	4	5.45	6.18	7.26		
35	–	7.9	9.2	2	6.87	7.78	9.02		

NOTE: The diameters of the largest rigid and flexible conductors are based on Table 1 of IEC 60228 A/IEC 60344 and on ASTM B172-71 [4], IECA Publication S-19-81 [5], IECA Publication S-66-524 [6], as well as IECA Publication S-66-516 [7] for AWG conductors.

<sup>a)</sup> Dimensions for Class 5 flexible conductors only (IEC 60228 A)

<sup>b)</sup> Nominal diameter +5%

<sup>c)</sup> Largest diameter for conductors of classes I, K, M + 5%

In practical use, the conductor cross sections are approximately 5% below the values stated in the table!



The IEC 60999-1/EN 60999-1/VDE 0609-1 Specification (Section 7.1) requires that:

**Clamping units must be able to connect unprepared conductors.**

Under normal operating conditions, direct clamping (i.e., directly connecting a conductor to the terminal block's current bar) provides optimal contact quality, because all risk factors arising from anti-splaying methods are prevented.

Occasionally, conductor anti-splaying protection may be required, including various methods (see illustrations below).

Special requirements apply only in special application areas exposed to extremely corrosive atmospheres.

In this case, we recommend using either solid copper conductors or fine-stranded copper conductors with properly crimped, tin-coated copper ferrules or copper pin terminals.

As with solid copper conductors, the fine strands are crimped to a dense inner core. This prevents ingress of aggressive atmospheres (depending on the ppm concentration), which can diffuse into the conductor bundle along the individual strands and deposit between individual strands and the clamping point.

**One Conductor per Clamping Unit**

A number of DIN VDE, EN, IEC directives mandate or recommend that only one conductor must be connected per clamping unit.

In accordance with DIN VDE 0611, Part 4, 02.91, Section 3.1.9, multi-level distribution rail-mount terminal blocks must be dimensioned so that a single (solid, stranded or fine-stranded) conductor of the nominal cross section can be connected at each terminal point.

Other VDE, EN and IEC specifications also recommend the connection of only one conductor per clamping unit, unless the clamping unit is specifically tested and approved for the connection of several conductors, for example:

VDE 0609, Part 1, 12.00 / EN 60999-1:2000 / IEC 60999-1:1999, Section 7.1  
VDE 0660, Part 600, 06.12 / EN 61439-1:2011 / IEC 61439-1, Section 8.6.3  
VDE 0113, Part 1, 06.07 / EN 60204-1:2006 / IEC 60204-1:2016, Section 13.1.1.

One conductor per clamping unit is therefore recommended to meet the safety requirements of these relevant specifications. This WAGO principle is the basis for a number of other technical and economic advantages:

- Each conductor may be terminated or removed without affecting previously connected conductors.
- Where re-wiring is required, only the conductor to be changed is removed from the clamping point, all other conductors remain safely clamped.
- Each conductor is clamped independently.
- Any conductor size combination can be connected.

WAGO provides 2-conductor terminal blocks and connectors to increase the number of clamping units.

II. Per IEC 60999-2, Table 1:

Rated Cross-Section	Theoretical Largest Conductor Diameter					Connectable Conductor	
	Metric		AWG/kcmil			Rigid	Flexible
	Rigid Stranded	Fine-Stranded <sup>a)</sup>	Gauge	Rigid Stranded	Fine-Stranded		
mm <sup>2</sup>	mm	mm		mm	mm		
50	9.1	11	1/0	9.64	12.08	To be defined in the corresponding product standard	
70	11	13.1	2/0	11.17	13.54		
95	12.9	15.1	3/0	12.54	15.33		
–	–	–	4/0	14.08	17.22		
120	14.5	17	250	15.34	19.01		
150	16.2	19	300	16.8	20.48		
185	18	21	350	18.16	22.05		
–	–	–	400	19.42	24.05		
240	20.6	24	500	21.68	26.57		
300	23.1	27	600	23.82	30.03		

Dimensions for Class 5 flexible conductors only (IEC 60228 A)

NOTE: The diameters of the largest rigid and flexible conductors are based on Table 1 and Table 3 of IEC 3 A/IEC 60228 and on ASTM B172-71 [1], IECA Publication S-19-81 [2], IECA Publication S-66-524 [3], as well as IECA Publication S-66-516 [7] for AWG conductors.



Tip-bonded conductor



Tin-plated copper ferrule (gas-tight crimped)



Ultrasonically bonded conductor



Crimped pin terminal (gas-tight), preferably made of copper with a tin-plated surface

Anti-splaying methods require a terminal block one size larger than the nominal cross section of the conductor to be terminated. Ferruled conductor cross sections specified for individual products are based on WAGO's Variocrimp square crimping technology. Gas-tight, crimped twin ferrules may be used, provided the ferrule is inserted all the way into the clamping unit and that there is a sufficient clearance and creepage distance between adjacent potentials.

## Tests and Testing Procedures per IEC/EN Standards (continued)

### Mechanical Tests (continued)

#### • Pull-Out Test per IEC/EN 60947-7-1, IEC/EN 60998-2-2, IEC/EN 60999-1

The pull-out test simulates the mechanical stress on the clamping unit when, for example, the installer pushes the conductor aside to better access/operate the adjacent clamping unit, or verifies if the conductor is connected properly by briefly pulling on it.

During the test, a pulling force is applied without jerking, for one minute, to the connected conductor. The pulling force is selected according to the cross-sectional area. The larger the cross section of the conductor, the higher the pull-out force that is selected. For example, the pulling force is 40 N for a conductor having a cross section of 1.5 mm<sup>2</sup> (16 AWG) and 100 N for a conductor with a cross section of 16 mm<sup>2</sup> (6 AWG). The values specified by these standards are the same for both screw clamp and spring clamp terminal blocks. During the test, the conductor must neither slip out of the clamping unit, nor break near the clamping unit.

#### Conductor Pull-Out Forces

The clamping units of screwless terminal blocks must withstand the pull-out forces as follows:

IEC 60947-1/EN 60947-1/VDE 0660-100, Table 5:

Low-voltage switchgear and controlgear, general rules

IEC 60947-7-1/EN 60947-7-1/

VDE 0611-1, rail-mount terminal blocks for copper conductors

IEC 60998-2-1/EN 60998-2-1/

VDE 0613-2-1, Table 104:

IEC 60998-2-2/EN 60998-2-2

VDE 0613-2-2, Table 103:

Connecting devices for low-voltage circuits for household and similar purposes

Particular requirements for connecting devices as separate entities with screw-clamp or screwless terminal blocks.

IEC 60999-1/EN 60999-1/VDE 0609-1, Table 3:

IEC 60999-2/EN 60999-2/VDE 0609-101, Table 2:

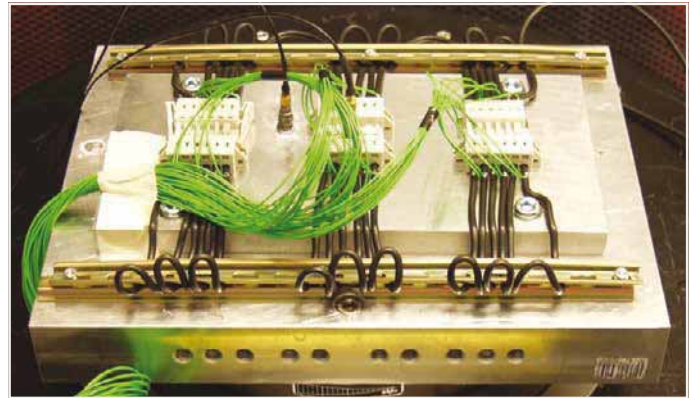
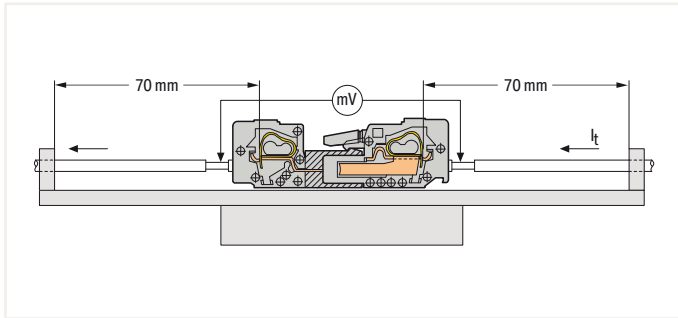
Safety requirements for screw-clamp and screwless clamping units for electrical copper conductors

Rated Cross-Section		Pull-Out Forces per IEC/EN		
mm <sup>2</sup>	AWG/kcmil	60947-7-1 N	60998-2-2 N	60999-1/-2 N
0.2	24	10	10	10
0.34	22	15	15	15
0.5	20	20	20	20
0.75	18	30	30	30
1	–	35	35	35
1.5	16	40	40	40
2.5	14	50	50	50
4	12	60	60	60
6	10	80	80	80
10	8	90	90	90
16	6	100	100	100
25	4	135	135	135
–	3	156		
35	2	190	190	190
–	1	236		
50	1/0	236		236
70	2/0	285		285
95	3/0	351		351
–	4/0	427		427
120	250	427		427
150	300	427		427
185	350	503		503
–	400	503		503
240	500	578		578
300	600	578		578

• Shock/Vibration Test per IEC/EN 60068-2-6; DNV GL, LR (Marine Applications); IEC/EN 61373 (Railway Applications)

The vibration test determines whether vibrations, such as those produced in the vicinity of machines or in vehicles, will permanently affect the electrical connection, or if contact breaks will occur during vibrations. Using a vibration table, the test specimen is subjected to vibration in each of the X, Y and Z axes (see pictures). The amplitude, acceleration and in particular the frequency of the vibration must vary during the test.

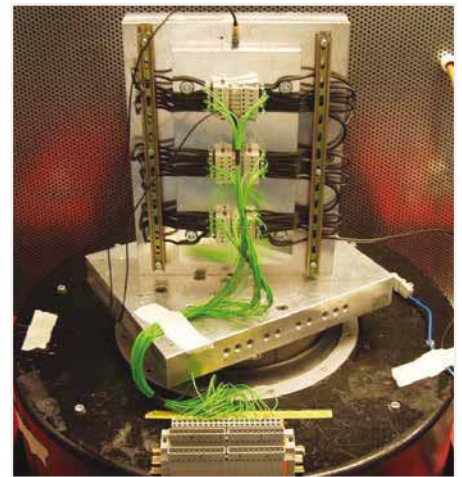
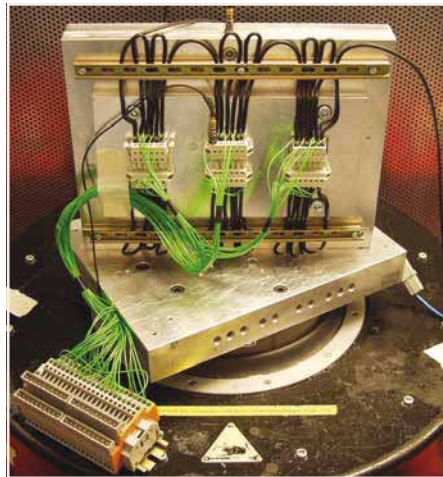
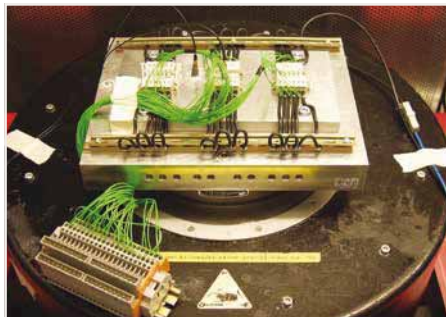
The “open length” of the conductor up to the point where the conductor is attached in the application must be kept as short as possible (length = 70 mm in this example).



1st Axis

2nd Axis

3rd Axis



The exact test procedure may vary considerably, depending on how the product will be used.

Application Examples per IEC/EN 60068-2-6	Associated Test Levels
Devices attached to heavy, rotating machines	1 ... 35 Hz, 50 m/s <sup>2</sup> (5 g) or 100 m/s <sup>2</sup> (10 g)
Devices designed for use in large-scale power plants and general industrial applications	10 ... 55 Hz, 20 m/s <sup>2</sup> (2 g) or 50 m/s <sup>2</sup> (5 g)
Devices designed for use in large-scale power plants and general industrial applications if it has been determined that detectable vibration components greater than 55 Hz exist	10 ... 150 Hz, 20 m/s <sup>2</sup> (2 g) or 50 m/s <sup>2</sup> (5 g)

## Tests and Testing Procedures per IEC/EN Standards (continued)

### Mechanical Tests (continued)

Beyond these standard procedures, each market segment performs additional testing. Examples include railway authorities testing rolling electrical equipment, or the testing performed multiple marine agencies (e.g., DNV GL Group, Lloyd's Register of Shipping). Though the requirements of such testing procedures are particularly demanding, test arrangements are identical for all of them. During vibrations, possible contact breaks are monitored on an oscilloscope. Voltage drop is measured before and after the test to detect permanent failures, i.e., checking if electrical resistance at the clamping unit has not increased beyond the permissible limit. The smaller this value is, the smaller the contact resistance of the clamping unit.

The test is passed if:

- the conductor has neither slipped out of the terminal block nor been damaged,
- the maximum permissible voltage drop has not been exceeded
- and neither contact breaks have occurred nor a defined break time has been exceeded.

The test specimen must not be damaged in any way that might affect future use.

Since their inception, both CAGE CLAMP® and Push-in CAGE CLAMP® connections have been routinely tested for their resistance to shock/vibration in connection with approval tests.

Notes:

These test results are based solely on tests conducted under "laboratory conditions." Connector usage in actual applications must be evaluated by the user.

• Shock Test per IEC/EN 60068-2-27; IEC/EN 61373 (Railway Applications)

The shock test is similar to the vibration test except that, instead of continuous vibrations, single shocks are applied to the specimen. Shock tests are usually performed with an acceleration of 20g, for example, over a period of 11 ms. Tests for special requirements often call for much higher values.

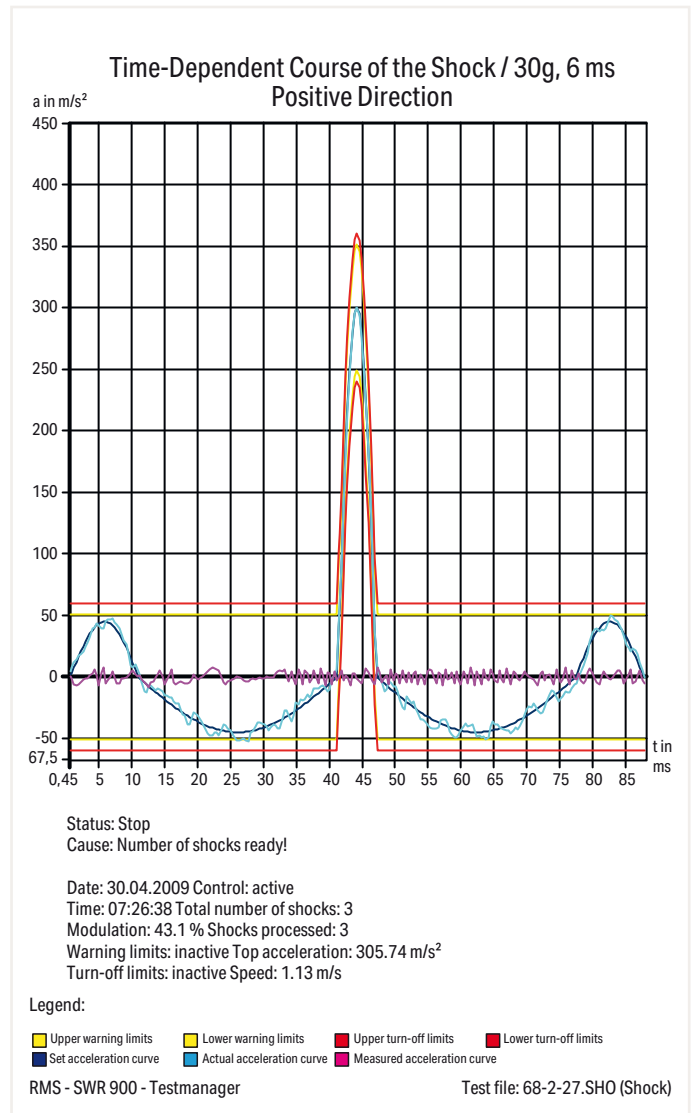
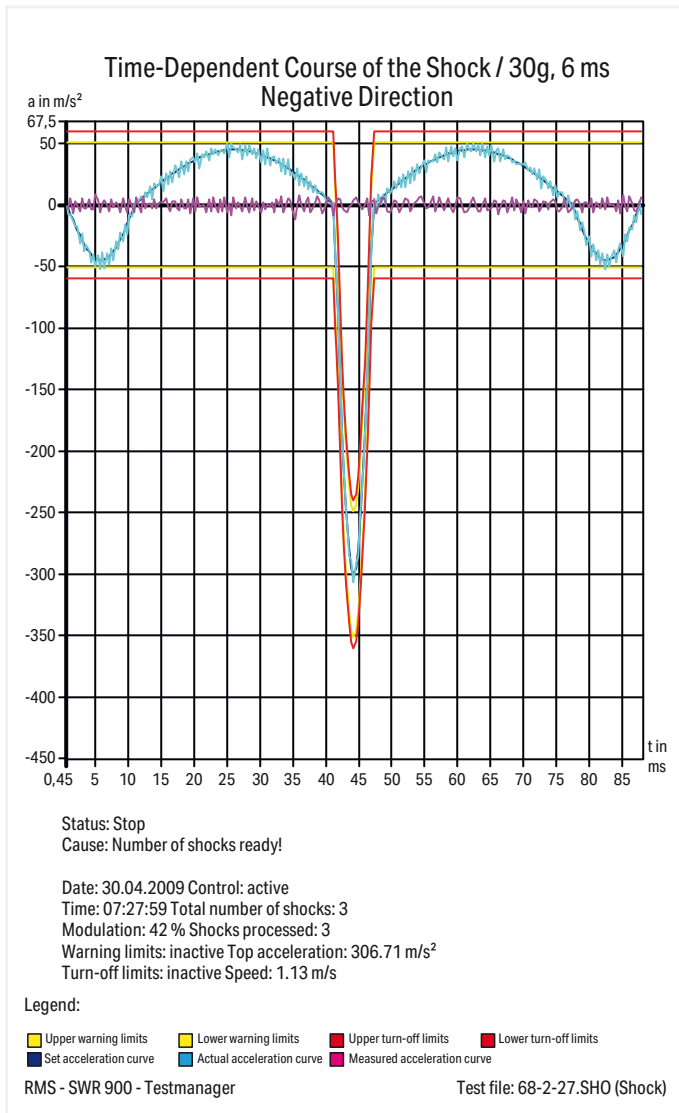
Like the vibration tests, shock tests are primarily used to test the voltage drop variation or contact breaks, etc.

**Example: Shock requirement**

per IEC/EN 60068-2-27 (half-sine shock)

30g acceleration, 6 ms duration

Shock direction: 3 axes (3 shocks each in positive and negative direction)



## Tests and Testing Procedures per IEC/EN Standards (continued)

### Electrical Tests

All WAGO products meet requirements for the following electrical tests:

- Temperature-Rise Test per IEC/EN 61984, IEC/EN 60947-7-4, IEC/EN 60947-7-1, IEC/EN 60998-1

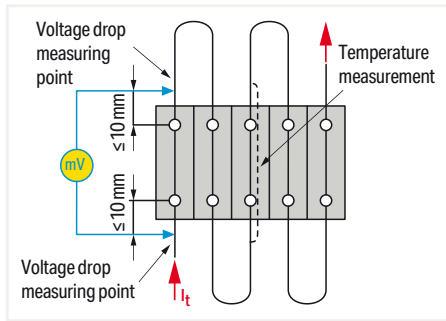
The temperature-rise test examines the clamping unit – including the surrounding insulation – at rated current, over-current and short-circuit current levels.

Unless otherwise specified in the related equipment specification, e.g., by specifying the nominal currents of the equipment, terminal blocks and connectors are tested with current loads as specified in the respective construction specification.

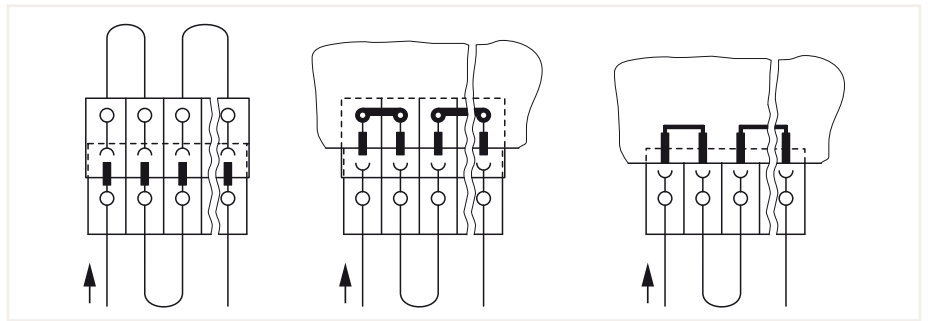
For rail-mount terminal blocks complying with IEC 60947-7-1/EN 60947-7-1/VDE 0611-1, or terminal blocks complying with IEC 60998-1/EN 60998-1/VDE 0613-1, the temperature rise must not exceed 45 Kelvin.

Connectors and PCB terminal blocks must withstand the upper and lower values of the temperature range as specified in the detail or manufacturer’s specification.

The sum of the surrounding air temperature and the temperature rise of a connector or PCB terminal strip must not exceed the upper temperature limit.



Test arrangement: "Temperature-Rise Test"



Test arrangement: "Temperature-Rise Test" per IEC/EN 61984

Rated Cross-Section	Test Current per IEC/EN		Conductor Size	Test Current per IEC/EN
	60947-7-1 Table 4	60998-1 Table 2		
mm <sup>2</sup>	A	A	AWG/kcmil	A
0.2	4	4	24	4
0.34	5	5	22	6
0.5	6	6	20	8
0.75	9	9	18	10
1	13.5	13.5	-	-
1.5	17.5	17.5	16	16
2.5	24	24	14	22
4	32	32	12	29
6	41	41	10	38
10	57	57	8	50
16	76	76	6	67
25	101	101	4	90
35	125	125	2	121
-	-	-	1	139
50	150	-	1/0	162
70	192	-	2/0	185
95	232	-	3/0	217
-	-	-	4/0	242
120	269	-	250 kcmil	271
150	309	-	300 kcmil	309
185	353	-	350 kcmil	353
240	415	-	500 kcmil	415
300	520	-	600 kcmil	520

- Current-Carrying Capacity Curve (Derating Curve) per EN 60512-5-2

Both the design requirements (e.g., dimensions) and the current-carrying capacity of a connector must be checked by the user when selecting connectors.

This information depends on the following factors: conductor size, surrounding air temperature, number of simultaneously loaded poles, internal resistance of the connector, PCB layout, width and thickness of the printed circuits and connector materials.

A current-carrying capacity curve (basic curve) is determined based on the EN 60512-5-2 standard, accounting for the upper temperature limit.

The relationship between current, surrounding air temperature and temperature rise up to the connector's upper temperature limit is illustrated via current-carrying capacity curve (derating curve, reduction factor: 0.8).

The connector must only be operated up to this temperature limit (sum of the self-generated heat and the surrounding air temperature) without being damaged or destroyed during operation.

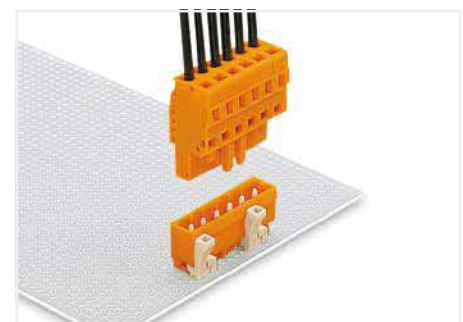
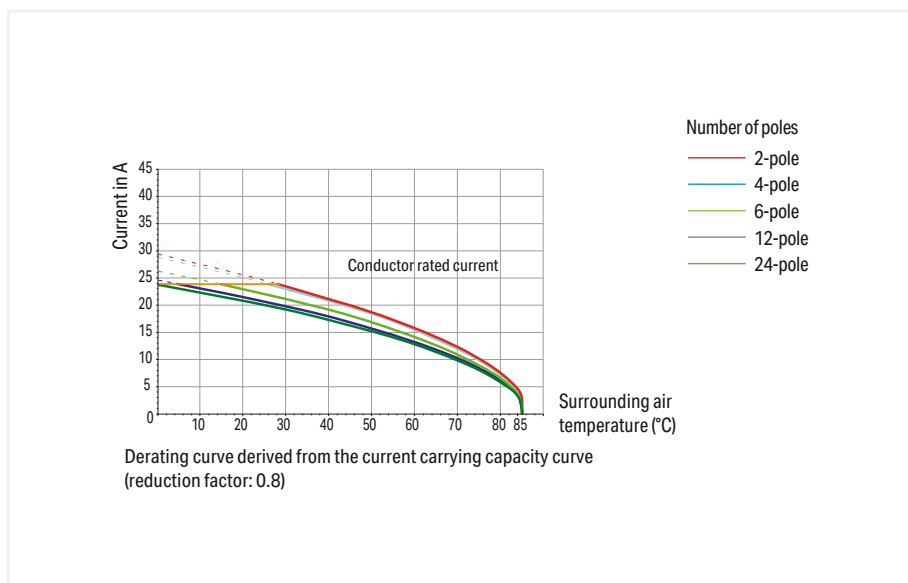
**The nominal current figures given for the WAGO PCB Connectors are based on the maximum number of poles, the maximum conductor cross section and a maximum temperature rise of 45 K.**

Note: Current-carrying capacity curves merely document the self-generated heat of the connectors and terminal blocks under defined test conditions (conductor length, commoning of solder pins).

Usability of the components in actual applications must be investigated by the user.

Functioning of a current-carrying capacity curve (derating curve) per EN 60512-5-2 is shown by an application using a derating curve for the **MULTI CONNECTION SYSTEM**:

This application requires each pole of a 4-pole connector be subjected to a load of 20 A. Based on the derating curve determined for this pole number with a conductor cross section of 2.5 mm<sup>2</sup>, it has been determined the maximum surrounding air temperature is 39°C (102.2°F). The current must be reduced at higher surrounding air temperatures, e.g., to 11 A at an surrounding air temperature of 70°C (158°F).



Male header with straight solder pins  
Female connector with CAGE CLAMP®

The non-reduced current-carrying capacity curves (basic curves, reduction factor: 1) can be used when selecting WAGO's PCB terminal blocks!

The nominal current values given are based on a 4-pole PCB terminal strip with a temperature rise of 45 K.



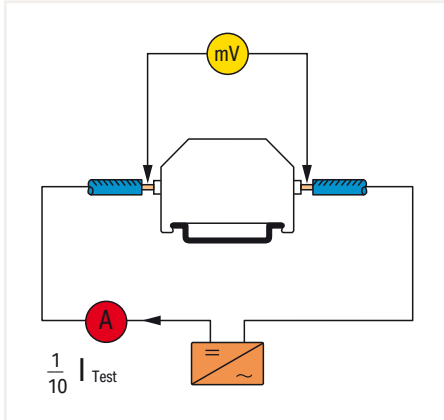
Example: 4-pole PCB terminal strip (2706 Series)

## Tests and Testing Procedures per IEC/EN Standards (continued)

### Electrical Tests (continued)

- Voltage Drop Test per IEC/EN 60947-7-1, IEC/EN 60999-1

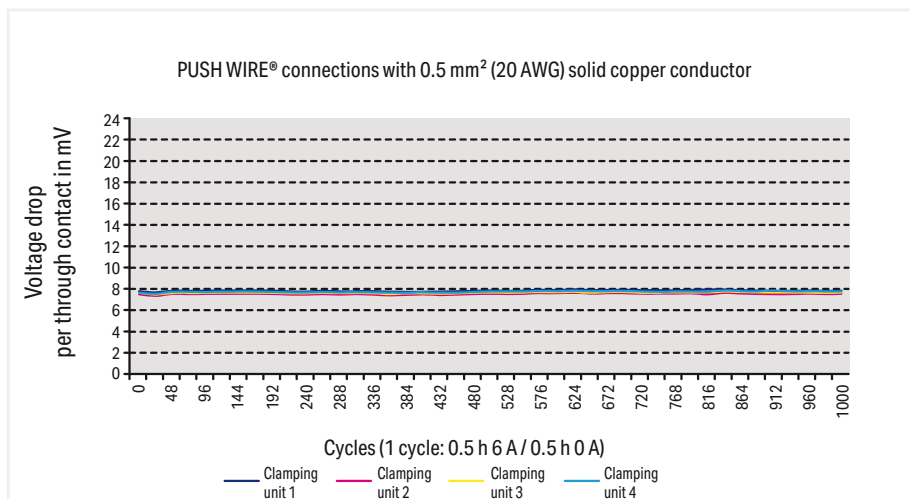
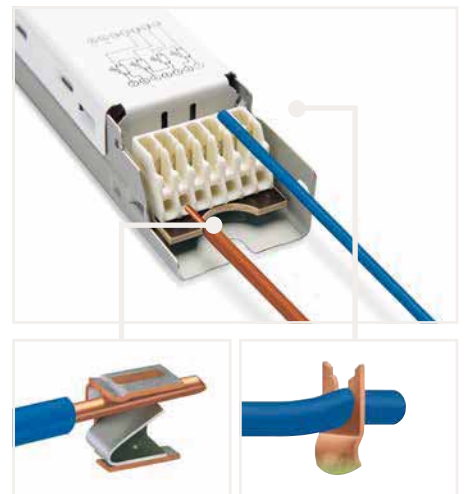
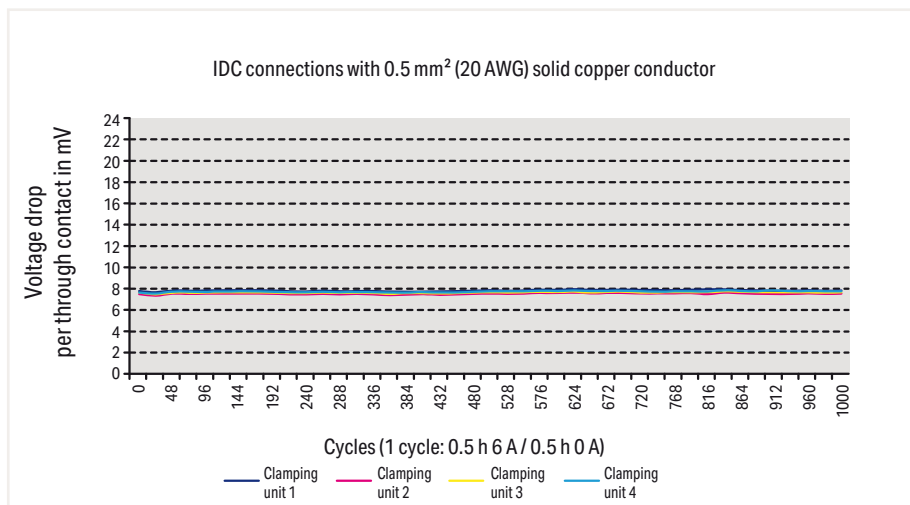
The voltage drop test evaluates clamping point quality under stress such as vibration, temperature change, industrial climate and salt spray, in order to verify that the contact point is gas-tight.



Test arrangement: "Voltage Drop Test"

Example: Current load cycling test result for Combi PCB terminal blocks with IDC and PUSH WIRE® connections

Voltage drop variation over longer periods under current load cycling conditions is shown for 251-3xx Combi PCB Terminal Blocks using solid copper conductors. The diagram shows that the voltage drop is constant, far beyond the 192 cycles required in IEC/EN 60998-2-2.



The voltage drop was determined at the rated current.



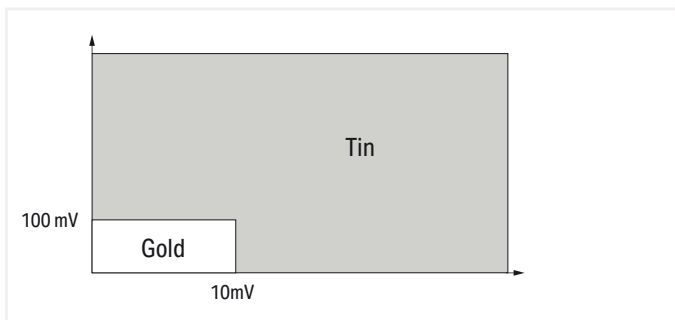
#### • Minimum Current / Specialty Connector Applications

The contact surfaces of WAGO's connectors are tin-plated. This surface exhibits excellent conductivity, along with outstanding protection against corrosion. Pollution layer deposits may penetrate this pure tin coating when the contacts are connected, lowering contact resistance.

The following information regarding proper selection of suitable WAGO components should be considered for applications in which connectors are used with minimal current and voltage levels and under harsh conditions, involving, for example, temperature, aggressive gases, vibration and shock.

Signal corruption may occur in applications with minimal current and voltage levels under the special conditions cited above. In such cases, we recommend using gold-plated contacts. Here, the user must always examine the suitability of the connectors for the application at hand.

The diagram below is based on practical experience.



WAGO also offers connectors with gold-plated contacts upon request.

## Tests and Testing Procedures per IEC/EN Standards (continued)

### Electrical Tests (continued)

#### • Insulation Parameters per IEC/EN 60664-1

##### Clearances and Creepage Distances

The following generally applies:

The equipment specification contains data for the measurement of clearances and creepage distances, or refers to the data contained in the new revised edition of the basic standard DIN EN 60664-1/VDE 0110-1. This standard contains new clearances and creepage distances in compliance with insulation coordination requirements. That is, the insulation parameters of equipment are assigned to:

- the anticipated surge voltages
- the parameters of the protection device against impulse voltage
- the anticipated environmental conditions and the protection measures against pollution.

This standard is based on IEC 60604-1.

##### Overvoltage Categories for Electrical Equipment:

A specific overvoltage category must be defined on the basis of the following, general description:

- Equipment in **overvoltage category I** is intended to be connected to the fixed electrical installations of buildings. Protective means are taken outside the equipment – either in the fixed installation or between the fixed installation and the equipment – to limit transient overvoltages to the specific level.
- Equipment in **overvoltage category II** is to be connected to the fixed electrical installations of buildings.

**Note:** Examples of such equipment are household appliances, portable tools and similar loads.

- Equipment in **overvoltage category III** is part of the fixed electrical installations and other equipment where a higher degree of availability is expected.

**Note:** Examples of such equipment are distribution boards, circuit breakers, wiring systems (IEV 826-16-08, including cables, bus bars, junction boxes, switches, socket outlets) in the fixed installation and equipment for industrial use and other equipment, e.g., stationary motors with permanent connection to the fixed installation.

- Equipment in **overvoltage category IV** is for use in or near the feed-in of electrical building installations upstream of the main distribution board in the direction of the network.

**Note:** Examples include electricity meters, primary overcurrent protection devices and ripple control units.

##### Clearances, Rated Surge Voltages, Overvoltage Categories, Pollution Degrees

Surge voltages (Table 1) are a decisive factor in determining clearances.

The basis forms the **overvoltage category**, i.e., the allocation of the equipment to the expected overvoltage, and the **conductor-ground voltage** derived from the nominal mains voltage in installations with a grounded Y (star) point.

In ungrounded installations, or installations where the conductor is not grounded, the voltage between conductors is applicable in the same way as conductor voltage to ground.

The rated surge voltage must be selected from Table F.1 corresponding to the overvoltage category specified and to the rated voltage of the equipment.

Table F.1 – Rated Surge Voltage for Equipment Energized Directly from the Low-Voltage Mains (DIN EN 60664-1/VDE 0110-1)

Voltage Curve: 1.2/50  $\mu$ s per IEC 60060-1/VDE 0432-1

Nominal voltage of the power supply system <sup>1)</sup> (mains) per IEC 60038 <sup>2)</sup>		Conductor-to-neutral voltage, derived from the nominal AC or DC voltage up to and including: V	Rated surge voltage <sup>2)</sup>  Overvoltage category <sup>4)</sup>			
Three-phase V	Single-phase V		I V	II V	III V	IV V
		50	330	500	800	1500
		100	500	800	1500	2500
	120 ... 240	150 <sup>5)</sup>	800	1500	2500	4000
230 / 400 277 / 480		300	1500	2500	4000	6000
400 690		600	2500	4000	6000	8000
1000		1000	4000	6000	8000	12000

<sup>1)</sup> See Annex B for application to existing different low-voltage mains and their nominal voltages.

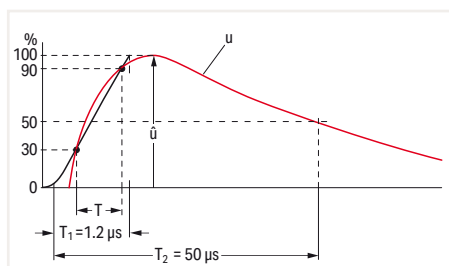
<sup>2)</sup> Equipment with these rated impulse voltage levels can be used in installations complying with IEC 60364-4-443.

<sup>3)</sup> The / mark indicates a 3-phase, 4-conductor system. The lower value is the conductor-to-neutral voltage, while the higher value is the conductor-to-conductor voltage. Where only one value is indicated, it refers to 3-phase, 3-conductor systems and specifies the conductor-to-conductor voltage.

<sup>4)</sup> See 4.3.3.2.2 for an explanation of the overvoltage categories.

<sup>5)</sup> The nominal voltages for single-phase systems in Japan are 100 V or 100 ... 200 V. The value for the rated impulse voltage is, however, derived from the voltage gaps conductor-to-neutral for a voltage level of 150 V (see Annex B).

The nominal supply voltage and the corresponding rated impulse voltage values apply for grounded and ungrounded circuits.



Voltage pulse: 1.2/50  $\mu$ s per EN 60060-1/VDE 0432-1

### Pollution Degrees

Pollution factors are all solid, liquid or gaseous foreign matter which may reduce the dielectric strength or the specific surface resistance. Factors are divided into four classes based on expected environmental conditions:

		Examples of pollution degrees for assigned areas:
Pollution degree 1:	No pollution, or only dry, non-conductive pollution occurs. Pollution has no influence.	Open, unprotected insulated equipment in air-conditioned or clean, dry rooms
Pollution degree 2:	Only non-conductive pollution occurs. Occasional, temporary conductivity caused by condensation can also be expected.	Open, unprotected insulated equipment in occupied areas, shops, laboratories, mechanical workshops and medical rooms.
Pollution degree 3:	Conductive pollution occurs, or dry, non-conductive pollution occurs which will become conductive due to condensation.	Open, unprotected insulated equipment in industrial, business and farming areas (e.g., unheated rooms, workshops and boiler rooms)
Pollution degree 4:	The pollution generates persistent conductivity caused by conductive dust, rain or wet conditions.	Open, unprotected insulated equipment for outdoor use

### Dimensioning Clearances

(DIN EN 60664-1/VDE 0110-1, Table F.2)  
Select the minimum clearances in accordance with the rated surge voltages and pollution degrees. To maximize the operating life of the equipment, do not go below these minimum clearances.

Table F.2 contains a list of information for Case A, the inhomogeneous field and for Case B, the homogeneous field. This involves an electric field with essentially constant (Case B) or non-constant (Case A) voltage gradients between the electrodes. **Equipment with a clearance that is dimensioned per Case A, in other words rated for the most unfavorable case, requires no verification by the impulse voltage test.** Equipment with a clearance that is dimensioned per Case B, or between A and B, requires verification by the impulse voltage test.

The clearances shown in Table F.2 are applicable for an installation height of up to 2000 m above sea level.

Values for clearances above 2000 m must be multiplied by a high correction factor in accordance with Table A.2.

**Table F.2 – Clearances to Withstand Transient Overvoltages**  
DIN EN 60664-1/VDE 0110-1

Required Impulse Withstand Voltage <sup>1)5)</sup>	Minimum Clearances in Air up to 2000 m Above Sea Level					
	Case A Inhomogeneous Field (see 3.15)			Case B Homogeneous Field (see 3.14)		
	Pollution Degree <sup>6)</sup>			Pollution Degree <sup>6)</sup>		
	1	2	3	1	2	3
kV	mm	mm	mm	mm	mm	mm
0.33 <sup>2)</sup>	0.01	0.2 <sup>3)4)</sup>	0.8 <sup>4)</sup>	0.01	0.2 <sup>3)4)</sup>	0.8 <sup>4)</sup>
0.4	0.02			0.02		
0.5 <sup>2)</sup>	0.04			0.04		
0.6	0.06			0.06		
0.8 <sup>2)</sup>	0.10			0.10		
1	0.15			0.15		
1.2	0.25	0.25	0.2	0.3	0.3	0.3
1.5 <sup>2)</sup>	0.5	0.5	0.3			
2	1	1	0.45			
2.5 <sup>2)</sup>	1.5	1.5	1.5	0.6	0.6	0.6
3	2	2	2	0.8	0.8	0.8
4 <sup>2)</sup>	3	3	3	1.2	1.2	1.2
5	4	4	4	1.5	1.5	1.5
6 <sup>2)</sup>	5.5	5.5	5.5	2	2	2
8 <sup>2)</sup>	8	8	8	3	3	3
10	11	11	11	3.5	3.5	3.5
12 <sup>2)</sup>	14	14	14	4.5	4.5	4.5
15	18	18	18	5.5	5.5	5.5
20	25	25	25	8	8	8
25	33	33	33	10	10	10
30	40	40	40	12.5	12.5	12.5
40	60	60	60	17	17	17
50	75	75	75	22	22	22
60	90	90	90	27	27	27
80	130	130	130	35	35	35
100	170	170	170	45	45	45

<sup>1)</sup> This voltage is for:

- Functional insulation: the maximum impulse voltage expected to occur across the clearance (see 5.1.5)
- Basic insulation directly exposed to or significantly influenced by transient overvoltages from the low-voltage mains (see 4.3.3.3, 4.3.3.4.1 and 5.1.6): the rated impulse voltage for the equipment;
- Other basic insulation (see 4.3.3.4.2): the highest impulse voltage that can occur in the circuit  
For reinforced insulation, see 5.1.6.

<sup>2)</sup> Preferred values specified in 4.2.3

<sup>3)</sup> For printed wiring material, the values for pollution degree 1 apply, except that the value must not be less than 0.04 mm, as specified in Table F.4.

<sup>4)</sup> The minimum clearances given for pollution degree 2 and 3 are based on the reduced withstand characteristics of the associated creepage distance under humidity conditions (see IEC 60664-5).

<sup>5)</sup> For parts or circuit within equipment subject to surge voltages based on 4.3.3.4.2, interpolation of values is allowed. However, standardization is achieved by using the preferred series of impulse voltage values based on 4.2.3.

<sup>6)</sup> The dimensions for pollution degree 4 are as specified for pollution degree 3, except that the minimum clearance is 1.6 mm.

## Tests and Testing Procedures per IEC/EN Standards (continued)

### Electrical Tests (continued)



• Insulation Parameters per IEC/EN 60664-1 (continued)

#### Creepage Distances, Rated Voltages, Material Groups

Criteria for dimensioning creepage distances are the rated voltages, pollution degrees and material groups.

The pollution degrees specified for the clearances, and its quoted allocation to locations, is also applicable for creepage distances. Tables F.3 a and F.3 b of DIN EN 60664-1/ VDE 0110-1 contain the rated voltages that have to be considered for dimensioning the minimum creepage distances.

Table F.3a – Single-Phase, 3- or 2-Conductor, AC or DC Systems

Nominal Voltage of the Power Supply System (Mains)*	Voltages for Table F.4	
	For insulation conductor-to-conductor <sup>1)</sup>	For insulation conductor-to-ground <sup>1)</sup>
	All systems 	Three-conductor systems, center-point grounded 
V	V	V
12.5	12.5	
24 25	25	
30	32	
42 48 50**	50	
60	63	
30 to 60	63	32
100**	100	
110 120	125	
150**	160	
200	200	
110 to 200	200	100
220	250	
110 to 220 120 to 240	250	
300**	320	
220 to 440	500	250
600**	630	
480 to 960	1000	500
1000**	1000	


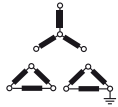
<sup>1)</sup> Conductor-to-ground insulation level for non-grounded or impedance-grounded systems equals that for conductor-to-conductor, as the operating voltage to ground of any conductor can, in practice, approach full conductor-to-conductor voltage. This is because the actual voltage to ground is determined by the insulation resistance and capacitive reactance of each conductor to ground; thus, low (but acceptable) insulation resistance of one conductor can in effect ground it and raise the other two to full conductor-to-conductor voltage to ground.

\*For the relationship to rated voltage, see 4.3.2.

\*\*These values correspond to the values given in Table F.1.

Altitude m	Standard Air Pressure (in kPa)	Multiplier for Clearances
2000	80	1
3000	70	1.14
4000	62	1.29
5000	54	1.48
6000	47	1.7
7000	41	1.95
8000	35.5	2.25
9000	30.5	2.62
10000	26.5	3.02
15000	12	6.67
20000	5.5	14.5

Table F.3b – Single-Phase, 4- or 3-Conductor AC Systems

Nominal Voltage of the Power Supply System (Mains)*	Voltages for Table F.4		
	For insulation conductor-to-conductor <sup>1)</sup>	For insulation conductor-to-ground <sup>1)</sup>	
	All systems	Three-phase, 4-conductor systems with grounded neutral conductor <sup>2)</sup>	Three-phase, 3-conductor systems, non-grounded <sup>1)</sup> or grounded conductor
V	V		
V	V	V	V
60	63	32	63
110 120 127	125	80	125
150**	160		160
200	200		200
208	200	125	200
220 230 240	250	160	250
300**	320		320
380 400 415	400	250	400
440	500	250	500
480 500	500	320	500
575	630	400	630
600**	630		630
660 690	630	400	630
720 830	800	500	800
960	1000	630	1000
1000**	1000		1000

<sup>1)</sup> Conductor-to-ground insulation level for non-grounded or impedance-grounded systems equals that for conductor-to-conductor, as the operating voltage to ground of any conductor can, in practice, approach full conductor-to-conductor voltage. This is because the actual voltage to ground is determined by the insulation resistance and capacitive reactance of each conductor to ground; thus, low (but acceptable) insulation resistance of one conductor can in effect ground it and raise the other two to full conductor-to-conductor voltage to ground.

<sup>2)</sup> For equipment used on both three-phase, 4-conductor and three-phase, 3-conductor systems, grounded and non-grounded, use only the values for 3-conductor systems.

\*For the relationship to rated voltage, see 4.3.2.

\*\*These values correspond to the values given in Table F.1.

### Material Groups

Insulation materials are classified into four groups according to their Comparative Tracking Index (CTI) as follows:

Material Group I:  $600 \leq \text{CTI}$

Material Group II:  $400 \leq \text{CTI} < 600$

Material Group IIIa:  $175 \leq \text{CTI} < 400$

Material Group IIIb:  $100 \leq \text{CTI} < 175$

The CTI values above refer to values obtained in accordance with DIN EN 60664-1/ VDE 0110-1 on samples specially made for this purpose and tested with Solution A.

## Tests and Testing Procedures per IEC/EN Standards (continued)

### Electrical Tests (continued)

• Insulation Parameters per IEC/EN 60664-1 (continued)

**Table F.4 – Creepage Distances to Avoid Failure due to Tracking**  
DIN EN 60664-1/VDE 0110-1

Voltage <sup>1)</sup> (RMS)	Minimum Creepage Distances								
	Printed Circuits		Pollution Degree						
	Pollution Degree		Pollution Degree						
	1 All Material Groups	2 All Material Groups except IIIb	1 All Material Groups	2 Material Group I	2 Material Group II	2 Material Group III	3 Material Group I	3 Material Group II	3 Material Group III <sup>2)</sup>
V	mm	mm	mm	mm	mm	mm	mm	mm	mm
10	0.025	0.04	0.08	0.4	0.4	0.4	1	1	1
12.5	0.025	0.04	0.09	0.42	0.42	0.42	1.05	1.05	1.05
16	0.025	0.04	0.1	0.45	0.45	0.45	1.1	1.1	1.1
20	0.025	0.04	0.11	0.48	0.48	0.48	1.2	1.2	1.2
25	0.025	0.04	0.125	0.50	0.5	0.5	1.25	1.25	1.25
32	0.025	0.04	0.14	0.53	0.53	0.53	1.3	1.3	1.3
40	0.025	0.04	0.16	0.56	0.8	1.1	1.4	1.6	1.8
50	0.025	0.04	0.18	0.6	0.85	1.2	1.5	1.7	1.9
63	0.04	0.063	0.2	0.63	0.9	1.25	1.6	1.8	2
80	0.063	0.1	0.22	0.67	0.95	1.3	1.7	1.9	2.1
100	0.1	0.16	0.25	0.71	1	1.4	1.8	2	2.2
125	0.16	0.25	0.28	0.75	1.05	1.5	1.9	2.1	2.4
160	0.25	0.4	0.32	0.8	1.1	1.6	2	2.2	2.5
200	0.4	0.63	0.42	1	1.4	2	2.5	2.8	3.2
250	0.56	1	0.56	1.25	1.8	2.5	3.2	3.6	4
320	0.75	1.6	0.75	1.6	2.2	3.2	4	4.5	5
400	1	2	1	2	2.8	4	5	5.6	6.3
500	1.3	2.5	1.3	2.5	3.6	5	6.3	7.1	8 (7.9) <sup>4)</sup>
630	1.8	3.2	1.8	3.2	4.5	6.3	8 (7.9) <sup>4)</sup>	9 (8.4) <sup>4)</sup>	10 (9) <sup>4)</sup>
800	2.4	4	2.4	4	5.6	8	10 (9) <sup>4)</sup>	11 (9.6) <sup>4)</sup>	12.5 (10.2) <sup>4)</sup>
1000	3.2	5	3.2	5	7.1	10	12.5 (10.2) <sup>4)</sup>	14 (11.2) <sup>4)</sup>	16 (12.8) <sup>4)</sup>
1250			4.2	6.3	9	12.5	16 (12.8) <sup>4)</sup>	18 (14.4) <sup>4)</sup>	20 (16) <sup>4)</sup>
1600			5.6	8	11	16	20 (16) <sup>4)</sup>	22 (17.6) <sup>4)</sup>	25 (20) <sup>4)</sup>
2000			7.5	10	14	20	25 (20) <sup>4)</sup>	28 (22.4) <sup>4)</sup>	32 (25.6) <sup>4)</sup>
2500			10	12.5	18	25	32 (25.6) <sup>4)</sup>	36 (28.8) <sup>4)</sup>	40 (32) <sup>4)</sup>
3200			12.5	16	22	32	40 (32) <sup>4)</sup>	45 (36) <sup>4)</sup>	50 (40) <sup>4)</sup>
4000			16	20	28	40	50 (40) <sup>4)</sup>	56 (44.8) <sup>4)</sup>	63 (50.4) <sup>4)</sup>
5000			20	25	36	50	63 (50.4) <sup>4)</sup>	71 (56.8) <sup>4)</sup>	80 (64) <sup>4)</sup>
6300			25	32	45	63	80 (64) <sup>4)</sup>	90 (72) <sup>4)</sup>	100 (80) <sup>4)</sup>
8000			32	40	56	80	100 (80) <sup>4)</sup>	110 (88) <sup>4)</sup>	125 (100) <sup>4)</sup>
10000			40	50	71	100	125 (100) <sup>4)</sup>	140 (112) <sup>4)</sup>	160 (128) <sup>4)</sup>
12500			50 <sup>3)</sup>	63 <sup>3)</sup>	90 <sup>3)</sup>	125 <sup>3)</sup>			
16000			63 <sup>3)</sup>	80 <sup>3)</sup>	110 <sup>3)</sup>	160 <sup>3)</sup>			
20000			80 <sup>3)</sup>	100 <sup>3)</sup>	140 <sup>3)</sup>	200 <sup>3)</sup>			
25000			100 <sup>3)</sup>	125 <sup>3)</sup>	180 <sup>3)</sup>	250 <sup>3)</sup>			
32000			125 <sup>3)</sup>	160 <sup>3)</sup>	220 <sup>3)</sup>	320 <sup>3)</sup>			
40000			160 <sup>3)</sup>	200 <sup>3)</sup>	280 <sup>3)</sup>	400 <sup>3)</sup>			
50000			200 <sup>3)</sup>	250 <sup>3)</sup>	360 <sup>3)</sup>	500 <sup>3)</sup>			
63000			250 <sup>3)</sup>	320 <sup>3)</sup>	450 <sup>3)</sup>	600 <sup>3)</sup>			

<sup>1)</sup> This voltage is for:

- Functional insulation; the working voltage
- Basic and supplementary insulation of the circuit energized directly from the mains (see 4.3.2.2.1): for the voltage rationalized through Table F.3a or F.3b, based on the rated voltage of the equipment, or the rated insulation voltage
- Basic and supplementary insulation of systems, equipment and internal circuits not energized directly from the mains (see 4.3.2.2.2): the highest rms voltage which can occur in the system, equipment or internal circuit when supplied at rated voltage and under the most taxing combination of operation conditions within equipment rating

<sup>2)</sup> Material group IIIb is not recommended for applications in pollution degree 3 above 630 V.

<sup>3)</sup> Provisional data based on extrapolation. Technical committees who have other information based on experience may use their dimensions.

<sup>4)</sup> The values in brackets must only be applied for reducing creepage distances if a rib is used (see 5.2.5).

The high degree of accuracy of the creepage distances given in the table does not imply that the measuring accuracy must be of the same quality.

16

Depending on the intended use, WAGO's terminal blocks, splicing and pluggable connectors are suitable for pollution degrees 2 or 3 and for overvoltage categories II or III. The rated voltages of WAGO's PCB terminal blocks and connectors are based on pollution degree 2 and overvoltage category III in per IEC/EN 60664-1 (insulation parameters).

Example:

**WAGO 236 Series PCB Terminal Strips**  
(5/5.08 mm pin spacing)

320 V/4kV/2

Rated voltage	320 VDC
Rated surge voltage	4 kV
Pollution degree	2
Overvoltage category	III

The specific values for pollution degree 3 and overvoltage category II are also given in the technical data.

The clearances and creepage distances required for defined voltage values in Table 3 of IEC/EN 60998-1 deviate somewhat from the requirements specified in the insulation parameters.

**Table 3 – Clearances and Creepage Distances**  
(IEC/EN 60998-1)

Rated Insulation Voltage V	Clearances/Creepage Distances mm
≤ 130	1.5
> 130 and ≤ 250	3
> 250 and ≤ 450	4
> 450 and ≤ 750	6
> 750	8

## Tests and Testing Procedures per IEC/EN Standards (continued)

### Electrical Tests (continued)

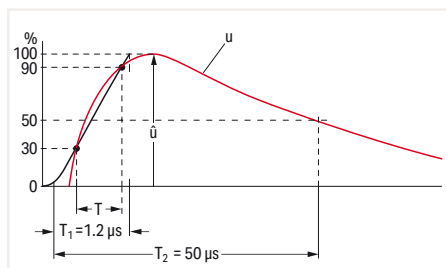
#### • Power-Frequency Withstand Voltage Test per IEC/EN 60947-7-4, IEC/EN 60998-1

This testing procedure verifies creepage distances. Creepage distances, i.e., the distances of creeping currents, are caused by conductive impurities on the surface of the insulation housing. Apart from the amount of impurities to which a terminal block is subjected, for example, the plastic material and housing design are also involved in generating creeping currents. The insulation material of the housing may be carbonized by a creeping current, which further increases conductivity.

The specimen is tested using a power-frequency withstand voltage for a short time. For example, a PCB terminal block designed to operate at 320 V nominal voltage is usually tested using 2200 V alternating voltage for one minute. The test is passed if no flashovers or breakdowns have occurred.

#### • Rated Impulse Withstand Voltage Test per IEC/EN 60947-7-4, IEC/EN 60664-1

This test verifies the clearances of a product. In simplified terms, clearance is the distance between two poles of a terminal block. If this distance is too small, voltage peaks may cause flashovers or breakdowns. The arrangement of the rated impulse withstand voltage test is identical to that of the power frequency withstand voltage test; the test voltages, however, are comparatively higher and the testing times shorter, e.g., 4.8 kV over 50  $\mu$ s (see figure).



Voltage pulse: measurement curve (red) and auxiliary curve (black) for calculating the rate of rise of the pulse and the resulting (virtual) peak of the curve.

- T: Time interval for calculating the rate of rise
- T1: Front time (duration between start of impulse and reaching the peak)
- T2: Total pulse duration

The test values are the values at sea level as specified in the relevant test specification. The values indicated in the catalog correspond to an altitude of 2000 m. The test is passed if no flashovers or breakdowns have occurred.

Voltage pulse: 1.2/50  $\mu$ s per EN 60060-1/VDE 0432-1

#### • IP Ratings for Electrical Equipment per IEC/EN 60529

Alphanumeric Nomenclature for Type of Protection				IP vs. NEMA	
Code letters IP	Protection against accidental contact and against the penetration of foreign objects or water	IP (Ingress Protection) = International degree of protection		IP Code	NEMA
First code number 0 to 6	Indicates the degree of protection against accidental contact and the penetration of foreign objects.	If indicating the degree of protection requires only one digit, the other (second) digit must be substituted for with an X.		10	1
Second code number 0 to 8	Indicates the degree of protection against water penetration.			11	2
First code number:		Second code number:		54	3
IP0X	No protection against accidental contact or the penetration of foreign objects	IPX0	No protection against water	14	3R
IP1X	Protection against foreign objects > 50 mm	IPX1	Protection against vertically falling water	54	3S
IP2X	Protection against foreign objects > 12 mm (e.g., finger)	IPX2	Protection against diagonally dripping water (15° angle)	55	4&4X
IP3X	Protection against foreign objects > 2.5 mm	IPX3	Protection against water spray	52	5
IP4X	Protection against foreign objects > 1 mm	IPX4	Protection against water spray	67	6&6P
IP5X	Protection against damaging dust deposits	IPX5	Protection against water jet, e.g., from a nozzle	52	12&12K
IP6X	Protection against dust penetration	IPX6	Protection against flooding	54	13
		IPX7	Protection against temporary immersion		
		IPX8	Protection against continuous immersion		
		IPX9	Protection against high-pressure and high-temperature water jets		



## Tests and Testing Procedures per IEC/EN Standards (continued)

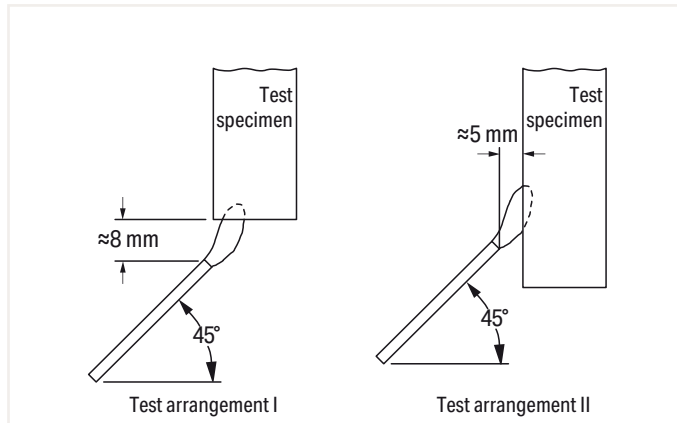
### Material Tests

All WAGO products meet requirements for the following material tests:

- Needle Flame Test per IEC/EN 60947-7-1, IEC/EN 60695-11-5

This test simulates flames that may arise under certain conditions (e.g. fault current over a creepage distance, overloading of parts or components). Nearby parts can also be affected by such flames.

Not only the ignition of the test specimen resulting from an intrinsic defect is tested, but also its behavior when other parts ignite.



Flames must not be fuelled by the insulation materials used, thus creating a larger fire. The test specimen is exposed to a standard gas flame during a defined time period (e.g., ten seconds).

After the test flame has been removed, the specimen must self-extinguish within 30 seconds. Furthermore, a layer of tissue paper located beneath the specimen must not be ignited by glowing particles falling from the specimen.

- Glow-Wire Test per IEC/EN 60947-7-4, IEC/EN 60998-1, IEC/EN 60695-2-11

In the event of failure, a high current may cause a conductor to glow.



However, the glowing conductor shall not cause ignition of the product involved (e.g., a rail-mount terminal block). For the glow-wire test, the tip of the glow-wire is pressed against a surface of the test specimen (see picture).

The position of the test specimen, surface to be tested, test duration and glow-wire temperature (e.g., 960°C/1760°F over 30 seconds, or 850°C/1562°F over 5 seconds) are specified in the standards.

The specimen must be positioned such that the tip of the glow-wire acts on the surface section of the specimen (vertical surface of the specimen) that is most likely to be exposed to thermal loading during normal use.

As the highest temperature in the event of a fault is anticipated at the contact insert/wire connection, the tip of the glow-wire must act upon the section of the insulation housing that is the closest to this contact point.

The test is passed if there are no visible flames or permanent glowing, or if flames or glowing extinguish within 30 seconds after removal of the glow-wire. Furthermore, a layer of tissue paper located beneath the specimen must not be ignited by glowing particles falling from the specimen.

## Tests and Testing Procedures per IEC/EN Standards (continued)

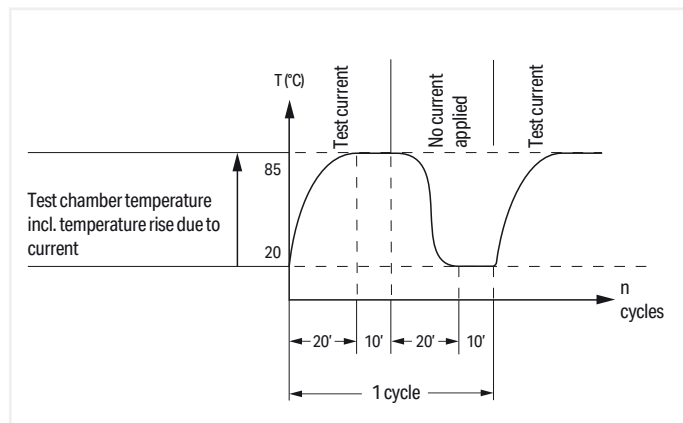
### Environmental Tests

The following tests show how a product reacts when exposed to an aggressive environment. Climatic chambers simulate standard atmospheres that could impact the long-term consistency of clamping units.

All WAGO products meet the requirements of the following environmental tests:

- Temperature Cycling Test per IEC/EN 60947-7-1, IEC/EN 60998-2-2

This test shows the change of voltage drop over longer periods under temperature cycling conditions. The test procedure usually consists of 192 temperature cycles, for example, each cycle having a duration of 60 minutes (see diagram).



The rated current is applied to the test specimen during temperature rise and when the temperature has reached its maximum value; during the second half of the cycle, the current is zero. Voltage drop is measured every 24 cycles and must not exceed a maximum value or vary greatly. The voltage drop measured at the end of the 192nd cycle must not exceed 1.5 times the value measured after the 24th cycle. After the test, an inspection must show no changes that would impair further use of the product.

- Industrial Atmospheres per EN ISO 6988, IEC/EN 60068-2-42, IEC/EN 60068-2-60

Sulphur and its combustion products are particularly aggressive pollutants commonly found in industrial environments. A test procedure simulating such corrosive conditions consists of exposing a test specimen to water condensation in variable atmospheres containing sulphur dioxide.



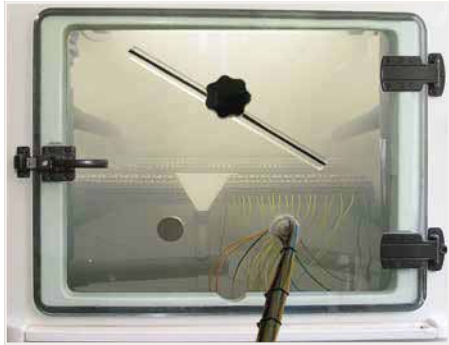
A saturated atmosphere is first created in a climatic chamber by heating an aqueous sulphur dioxide solution. After less than half an hour, the test specimen is fully saturated by the condensing vapors and exposed to this atmosphere for eight hours.

After exposure to a humid atmosphere, the test specimen is subjected to dry and cooler conditions at room temperature for 16 hours. Depending on the test severity, the specimen is exposed to both these conditions several times. The gas-tightness of the clamping unit is verified by a voltage drop test.

In other test procedures, products are exposed to a dry corrosive gas atmosphere containing sulfide, nitrogen and sulfur oxides or chloride gas. These tests can be performed over a period of four to 21 days.

• Salt Spray Test per IEC/EN 60068-2-11; DNV GL, LR (Marine Applications)

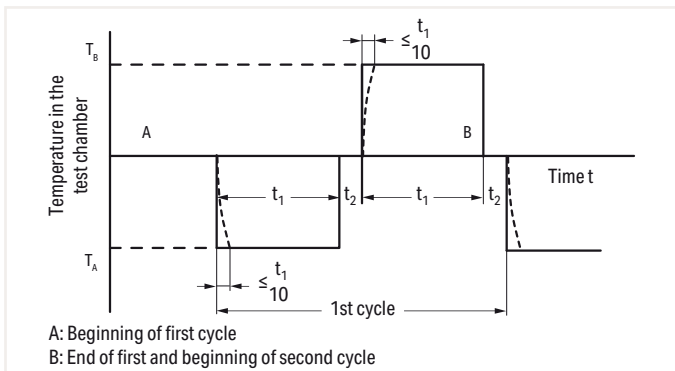
This test is similar to the test performed in water condensation alternating atmospheres, except that instead of industrial atmospheres, salt mist conditions will be simulated in a heated test chamber (see picture).



Depending on the test procedure being used, the test specimen is sprayed with salt mist for 16 hours up to 672 hours (4 weeks). Salt spray tests are widely used, especially for marine approvals. However, this test is performed differently than the test procedures described previously for general applications: During a typical test, the test specimen is sprayed with a salt solution for two hours and is then stored for seven days in an atmosphere with a relative humidity between 90 and 95%. This procedure is repeated four times. Voltage drop measurements are used as an evaluation criterion.

• Quick Change of Temperature per IEC/EN 60068-2-14

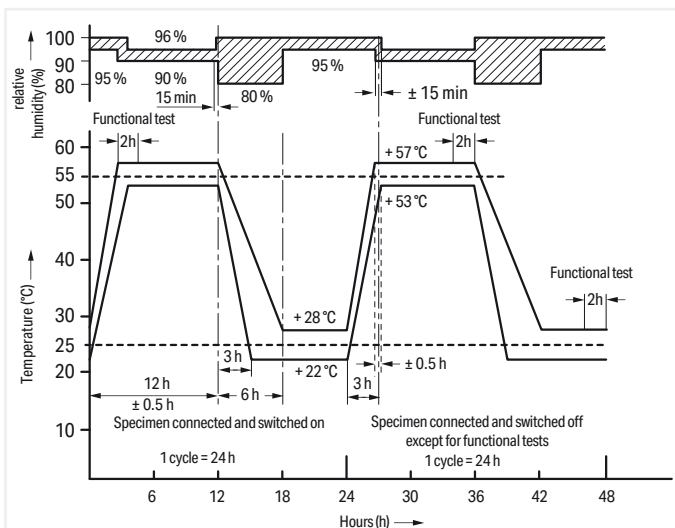
Without air-conditioning, distribution panels and terminal boxes are exposed to seasonal (and ever-changing) temperature extremes – especially on the open field side. In process technology, for example, a terminal block is exposed to even quicker changes in temperature.



To simulate such conditions, the test specimen is exposed to repeated temperature changes, for example, between TA -40°C (-104°F) and TB +70°C (+158°F). The dwell time t1 depends on the thermal capacity of the test specimen and should be between maximum of 3 h and minimum of 10 min and the transition time t2 ... 3 min, 20 ... 30 s or less than 10 s. The mechanical and electrical properties of the product are checked at the end of the test.

• Damp Heat, Cyclic (12 + 12 Hour Cycle) per IEC/EN 60068-2-30, DNV GL, LR (Marine Applications)

This test determines the suitability of electrical equipment for use and storage under conditions of high relative humidity when combined with cyclic temperature changes and, in general, producing condensation on the surface of the specimen.



In addition to the salt spray tests, the damp heat test is also used for marine approvals. For this test, the specimens are subjected to temperatures varying cyclically between +25°C (+77°F) and +55°C (+131°F) with a relative humidity of 95% (for tolerances see figure). Functional tests are performed at defined times during the storage period. The mechanical and electrical properties of the product are checked at the end of the test.

## UL Specifications – Underwriters Laboratories, USA

WAGO's terminal blocks and connectors are tested by Underwriters Laboratories Inc. according to one or more of the relevant following UL standards:

- |  |            |   |
|--|------------|---|
| <ul style="list-style-type: none"> <li>• PCB terminal strips (e.g., 236, 745 Series) are approved as non-stand-alone components per UL 1059 in connection with UL 486E.</li> </ul>   | UL 1059    | Standard for terminal blocks  |
| <ul style="list-style-type: none"> <li>• The <i>MULTI CONNECTION SYSTEM "MCS-MIDI"</i> is approved as terminal blocks per UL 1059 standard in connection with UL 486 E. It is therefore defined for field and factory wiring with at 300 V.</li> </ul>                   | UL 486 E   | Equipment wiring terminals for use with aluminum and/or copper conductors       |
| <ul style="list-style-type: none"> <li>• It is also approved as connectors for use in data, signal, control and power applications per UL 1977 for factory wiring at 600 V (i.e., the clamping unit must be wired under controlled manufacturing conditions).</li> </ul> | UL 1977    | Component connectors for use in data, signal, control and power applications    |
| <ul style="list-style-type: none"> <li>• Ex e II terminal blocks are approved to UL 60079-7.</li> </ul>  | UL 60079-7 | Electrical apparatus for explosive gas atmospheres – Part 7: Increased safety   |
| <ul style="list-style-type: none"> <li>• Insulation materials are tested for flammability and performance per UL 94.</li> </ul>  | UL 94      | Tests for flammability of plastic materials for parts in devices and appliances |

## Tests and Testing Procedures per UL Standards

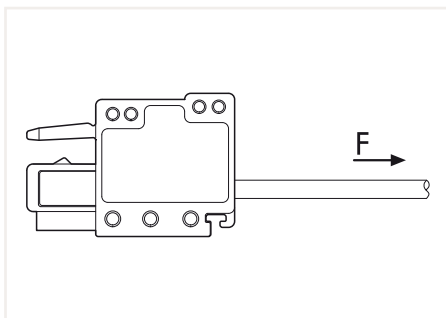
All WAGO products meet requirements for the following tests:

- Pull-Out Test per UL 1059, UL 486 E

In this test, the connected conductors are subjected to the appropriate pull-out forces specified in the following table without jerking for a period of one minute.

Conductor Size AWG or kcmil		(mm <sup>2</sup> )		Pull-Out Force, Pounds (N)			
				UL 486 E, Table 22			
				Copper		Aluminum	
30	(0.05)	0.5	(2.2)	-	-		
28	(0.08)	1	(4.5)	-	-		
26	(0.13)	2	(8.9)	-	-		
24	(0.2)	3	(13.4)	-	-		
22	(0.32)	4.5	(20)	-	-		
20	(0.52)	6.75	(30)	-	-		
18	(0.82)	6.75	(30)	-	-		
16	(1.3)	9	(40)	-	-		
14	(2.1)	11.5	(50)	-	-		
12	(3.3)	13.5	(60)	10	(44)		
10	(5.3)	18	(80)	10	(44)		
8	(8.4)	20.5	(90)	10	(44)		
6	(13.3)	21	(94)	28	(124)		
4	(21.2)	30	(133)	36	(160)		
3	(26.7)	35	(156)	42	(187)		
2	(33.6)	42	(186)	50	(222)		
1	(42.4)	53	(236)	61	(271)		
1/0	(53.5)	64	(285)	72	(320)		
2/0	(67.4)	64	(285)	78	(347)		
3/0	(85.0)	79	(351)	97	(432)		
4/0	(107)	96	(427)	116	(516)		
250	(127)	96	(427)	116	(516)		
300	(156)	99	(441)	116	(516)		

Test Arrangement per  
UL 1059, UL 486 E:



## UL Specifications – Underwriters Laboratories, USA (continued)

### Tests and Testing Procedures per UL Standards (continued)

• Heat Cycling Test per UL 1059, UL 486 E

Test performed per:

**UL 1059**

**per UL 486 E**

(Equipment wiring terminals)

Test performed with maximum rated cross section

Test performed with maximum rated cross section

Test current: 150% of maximum rated current

Test current: Increased test current per UL 486 E, Table 4

84 cycles of: 3 1/2 h ON / 1/2 h OFF

500 cycles of: 1 h ON / 1 h OFF  
1 1/2 h ON / 1 1/2 h OFF  
(from 4/0 AWG up to 400 kcmil per UL 486 E)

The temperature rise is measured after the first and the 84th cycle.

The temperature rises at the terminal blocks and control conductors are measured and recorded after: 1, 25, 50, 75, 100, 125, 175, 225, 275, 350, 425 and 500 cycles.

The temperature rise must not exceed 5°C (41°F) after the 84th cycle, compared to the temperature measured after the first cycle.

The temperature rise must not exceed 125°C (257°F) and the stability factor "S" must not exceed ±10.

Conductor Size		Test Current for Copper Conductors in A						
		UL 486 E, Table 4						
AWG or kcmil	(mm <sup>2</sup> )	Assigned Maximum Ampere Rating <sup>b</sup>	Static Heating <sup>a,c,g</sup>	Heat Cycling Temperature Rating <sup>a</sup>				
				75°C (167°F) <sup>d,g</sup>	90°C (194°F) <sup>e,g</sup>			
30	(0.05)	-		3		3.5		4
28	(0.08)	-		3.5		4		5
26	(0.13)	-		5.5		6		8
24	(0.2)	-		7		8		10
22	(0.32)	-		9		12		13
20	(0.52)	-		12		16		17
18	(0.82)	-		17		19		24
16	(1.3)	-		18		20		31
14	(2.1)	15	[20]	30	[22]	33	[27]	40
12	(3.3)	20	[25]	35	[28]	39	[40]	54
10	(5.3)	30	[40]	50	[45]	56	[60]	75
8	(8.4)	50		70		80		100
6	(13.3)	65		95		105		131
4	(21.2)	85		125		140		175
3	(26.7)	100		145		165		205
2	(33.6)	115		170		190		240
1	(42.4)	130		195		220		275
1/0	(53.5)	150		230		255		320
2/0	(67.4)	175		265		300		370
3/0	(85.0)	200		310		345		435
4/0	(107)	230		360		405		505
250	(127)	255		405		445		565
300	(152)	285		445		500		625

<sup>a</sup> See Section 7.2, 8.2 and 9.2 (UL 486 E)

<sup>b</sup> Values are for 75°C (167°F), not more than three conductors in raceway or cable ampacities, National Electric Code, ANSI/NFPA 70.

<sup>c</sup> Values are for 75°C (167°F) single conductors in free air ampacities, National Electric Code, ANSI/NFPA 70.

<sup>d</sup> Values are approximately 112% of the static heating test currents.

<sup>e</sup> Values for 8 AWG and larger conductors are approximately 140% of the static heating test currents.

<sup>f</sup> See Section 9.2.4

<sup>g</sup> Values in parentheses apply to connectors with assigned ampere ratings.

- Conditioning – Temperature-Rise Rest per UL 1059

Test performed per:

**per UL 1059** (terminal blocks)

**Conditioning:**

The clamping units are **pre-wired/pre-inserted nine times** using a conductor with maximum rated cross section. At the 10th time, a new conductor is connected.

After this, a static heating test is performed.

**Static Heating Test:**

Test current: Terminal block rated current

Test duration: 30 days

Max. permissible temperature rise: 30°C (86°F)

## UL Specifications – Underwriters Laboratories, USA (continued)

### Tests and Testing Procedures per UL Standards (continued)

• Insulation Parameters per UL 1059

The table below shows the potential involved and the corresponding clearances and creepage distances required in different applications.

Table 8.1 – Minimum Acceptable Spacing for Terminal Blocks per UL 1059 Standard

Application:	Potential In-volved in Volts	Spacing in inches (mm) between un-insulated live parts of opposite polarity, un-insulated live parts and un-insulated grounded parts other than the enclosure			
		Through Air		Over Surfaces	
A. Dead-front switchboards, panelboards, service equipment and similar applications	51 ... 150 151 ... 300 301 ... 600	1/2 (12.7) 3/4 (19.1) 1 (25.4)	3/4 (19.1) 1-1/4 (31.8) 2 (50.8)		
B. Commercial appliances, including business equipment, electronic data processing equipment and similar applications	51 ... 150 151 ... 300 301 ... 600	1/16 <sup>a</sup> (1.6) <sup>a</sup> 3/32 <sup>a</sup> (2.4) <sup>a</sup> 3/8 (9.5)	1/16 <sup>a</sup> (1.6) <sup>a</sup> 3/32 <sup>a</sup> (2.4) <sup>a</sup> 1/2 (12.7)		
C. Industrial, general	51 ... 150 151 ... 300 301 ... 600	1/8 <sup>a</sup> (3.2) <sup>a</sup> 1/4 (6.4) 3/8 (9.5)	1/4 (6.4) 3/8 (9.5) 1/2 (12.7)		
D. Industrial, devices having limited ratings <sup>b</sup>	51 ... 300 301 ... 600	1/16 <sup>a</sup> (1.6) <sup>a</sup> 3/16 <sup>a</sup> (4.8) <sup>a</sup>	1/8 <sup>a</sup> (3.2) <sup>a</sup> 3/8 (9.5)		
E. Terminal blocks rated 601 ... 1500 V <sup>c</sup>	601 ... 1000 1001 ... 1500	0.55 (14.0) 0.70 (17.8)	0.85 (21.6) 1.20 (30.5)		

Notes:

1 A slot, groove, or similar, 0.013 inch (0.33 mm) wide or less in the contour of the insulating material is to be disregarded.

2 Air space of 0.33 mm or less between a live part and an insulating surface is to be disregarded for the purpose of measuring over surface spacing.

<sup>a</sup> The spacing between terminal blocks of opposite polarity and the spacing between a terminal block and a grounded dead metal part shall not be less than 1/4 inch (6.4 mm) if short-circuiting or grounding of such terminal blocks may result from protruding wire strands.

<sup>b</sup> See Section 8.5 (UL 1059)

The spacing values indicated in sub-paragraph D in Table 8.1 are applicable to a terminal block for use only in or with industrial control equipment where the load on any single circuit of the terminal block does not exceed 15 A at 51 ... 150 V, 10 A at 151 ... 300 V, 5 A at 301 ... 600 V or the maximum ampere rating, whichever is less.

<sup>c</sup> Applies only to terminal blocks investigated to Part II of this standard. See Section 22.1 (UL 1059).

• Flammability Test per UL 94

This test provides an indication of the material's ability to extinguish a flame, once ignited.

Several ratings can be applied, based on the rated of burning, time to extinguish, ability to resist dripping, and after-glow extinguishing time. Each material tested may receive several ratings, depending on the wall thickness.

UL 94 Rating Categories:

**V2**

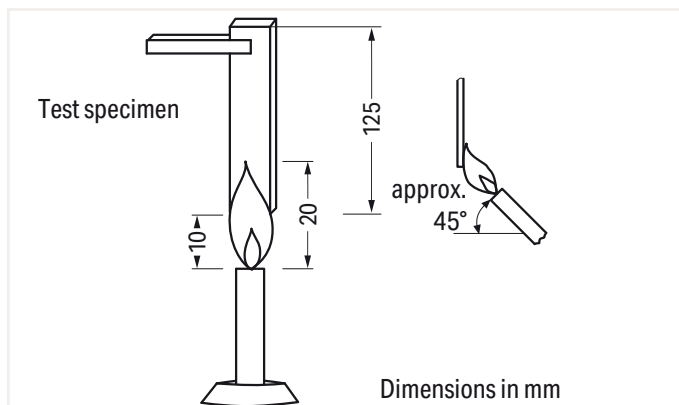
- Specimen mounted vertically
- Burning stops within 30 seconds after the flame is removed
- Flaming drips allowed
- After-glow extinguishes within 60 seconds max.

**V1**

- Specimen mounted vertically
- Burning stops within 30 seconds after the flame is removed
- No flaming drips allowed
- After-glow extinguishes within 60 seconds max.

**V0**

- Specimen mounted vertically
- Burning stops within 10 seconds after the flame is removed
- No flaming drips allowed
- After-glow extinguishes within 30 seconds max.



During the test, a 3/4 inch (20 ± 1 mm) flame is applied for two 10-second intervals to the specified bar specimen held vertically.



## "Alu-Plus" Contact Paste

### Terminating Aluminum Conductors

#### Terminating Aluminum Conductors

WAGO spring clamp terminal blocks are suitable for solid aluminum conductors ① up to 4 mm<sup>2</sup>/12 AWG if WAGO "Alu-Plus" Contact Paste is used for termination.

Advantages of the "Alu-Plus" Contact Paste:

- Automatically destroys the oxide film during clamping.
- Prevents fresh oxidation at the clamping point.
- Prevents electrolytic corrosion between aluminum and copper conductors (in the same terminal block).
- Provides long-term protection against corrosion.

Using terminal blocks with CAGE CLAMP® Spring Pressure Connection Technology, **aluminum conductors must first be cleaned with a blade** and then immediately be inserted into the clamping units filled with "Alu-Plus" Contact Paste.

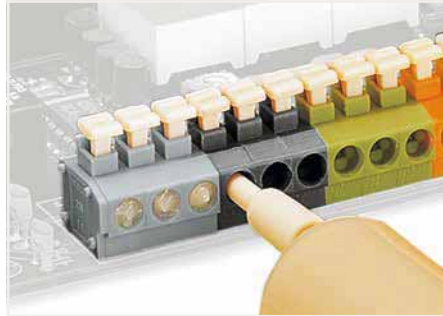
It is also possible to apply WAGO "Alu-Plus" **additionally** on the whole surface of the aluminum conductor before termination.

Please note that the nominal currents must be adapted to the reduced conductivity of the aluminum conductors:

2.5 mm<sup>2</sup> (14 AWG) = 16 A  
4 mm<sup>2</sup> (12 AWG) = 22 A

WAGO "Alu-Plus" in the syringe offers a higher degree of reliability and cleanness when terminating solid aluminum conductors.

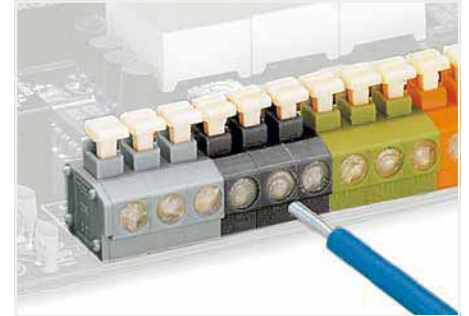
Filling is, for example, quickly performed on WAGO PCB Terminal Trips:



WAGO Lighting Connectors

Push nozzle of the "Alu-Plus" syringe first into the circular entry and then into the square conductor entry hole of the WAGO Lighting Connector.

① Aluminum conductors per IEC 61545 standard, Class B, "Alloy 1370" with 90 ... 180 N/mm<sup>2</sup> tensile strength and 1 ... 4% elongation  
Standard values: 90 ... 180 MPa tensile strength, 1 ... 4% elongation (per EN 615.4.1)



Press plunger down until the "Alu-Plus" has filled both entry holes.

**Note:** Not suitable for higher temperature applications!

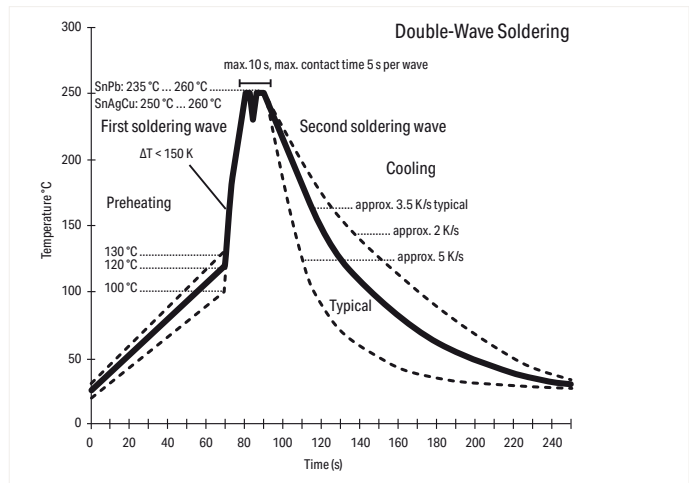
# Material Specifications

## Soldering Information

### Wave Soldering

WAGO's PCB terminal blocks and connectors comply with the 2011/65/EU Directive of June 8, 2011 and display the "RoHS compliant" logo on their packaging.

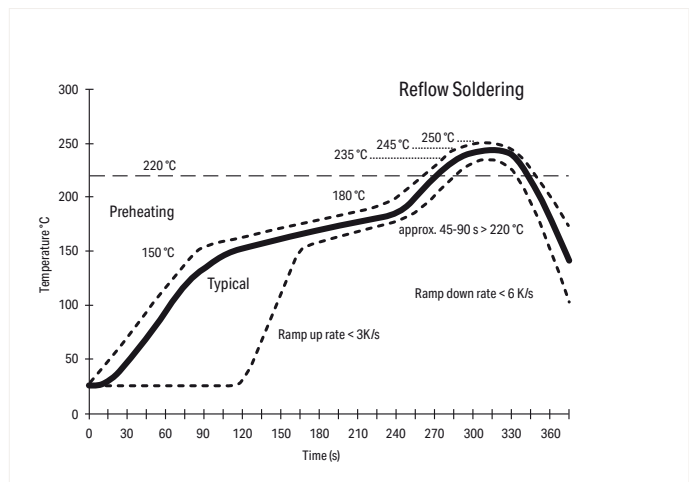
In accordance with IEC 61760-1, the maximum double-wave soldering temperature is 260°C (500°F) for a maximum 10 seconds or 5 seconds per wave.



### Reflow Soldering

WAGO's THR and SMD PCB terminal blocks and connectors have high-temperature-resistant insulated housings and reflow solder contacts.

In accordance with IEC 61760-1 or IEC 60068-2-58, the maximum soldering temperature is 260°C/500°F (peak temperature). Due to customer-specific variables (e.g., component configuration and orientation, type of soldering machine, solder paste), trial runs are recommended to ensure product and process compatibility under actual manufacturing conditions.



## Insulation Materials

WAGO primarily uses polyamide (PA 66 and PA 46) for housing current-conducting parts, as well as polyphthalamide (PPA) and polycarbonate (PC) for insulation material (see table). For more than 50 years, these materials have proven themselves in WAGO products and all are approved by certified, third-party agencies. All listed halogen-free and flame-retardant polymer materials do not contain any heavy metals, silicone, asbestos, or formaldehyde as formulation components.

Table: Standard Insulation Materials

Material	PA 66	PA 66 GF	PPA GF	PA 46	PC	PC
Flammability	V0	V0	V0	V2	V2	V0
UL 94 flammability test ratings						
Oxygen Index (OI) per EN ISO 4589-2	> 32 %	> 33 %	> 37 %	> 27 %	> 26 %	> 35 %
Glow-wire test per						
IEC 60695-2-12 GWFI*	850 °C	850 °C	850 °C	750 °C	800 °C	960 °C
IEC 60695-2-13 GWIT*	775 °C	775 °C	775 °C	725 °C	850 °C	850 °C
Comparative Tracking Index (CTI) per IEC 60112	600 V	600 V	600 V	375 V	225 V	225 V
Temperature of the ball indentation hardness test per IEC 60695-10-2	≥ 125 °C	≥ 175 °C	≥ 225 °C	n.s.**	≥ 125 °C	≥ 125 °C
RTI impact per UL 746B	105 °C	100 °C	115 °C	115 °C	125 °C	120 °C
Heat deflection temperature (HDT/B) per ISO 75 (bending stress A*: 1.8 MPa; B: 0.45 MPa)	215 °C	235 °C	285 °C	280 °C	130 °C (1.8 MPa)	130 °C (1.8 MPa)
Surface resistivity per IEC 60093	10 <sup>12</sup> Ω	10 <sup>12</sup> Ω	10 <sup>15</sup> Ω	10 <sup>13</sup> Ω	10 <sup>15</sup> Ω	10 <sup>15</sup> Ω
Specific contact resistance per IEC 60093	10 <sup>15</sup> Ω/cm	10 <sup>15</sup> Ω/cm	10 <sup>13</sup> Ω/cm	10 <sup>13</sup> Ω/cm	10 <sup>11</sup> Ω/cm	10 <sup>13</sup> Ω/cm
Dielectric strength per IEC 60243-1	30 kV/mm	40 kV/mm	25 kV/mm	25 kV/mm	25 kV/mm	29 kV/mm

\*Value depends on wall thickness, EN 60335 compliance upon request; \*\*n. s. = not specified

**Polyamide (PA 66)**

WAGO uses modified, halogen-free, flame-retardant polyamides.

These materials do not corrode, are difficult to ignite and feature self-extinguishing properties (V0 rating per UL 94).

Adhering to UL 746C, the polyamides used at WAGO have a continuous operating temperature of 105°C (221°F) based on the relative temperature index with impact load (RTIimp). This ensures that the necessary electrical and mechanical insulating properties are maintained at a sufficiently guaranteed level over a long period of time.

The short-term upper temperature limit is 200°C (392°F).

In lower temperature ranges, it has been determined that no damage to the insulation material occurs during usage down to -35°C (-31°F). After installation and wiring, WAGO products can even be used at temperatures down to -60°C (-76°F).

Environmental humidity (up to 2.5% in a standard atmosphere) is absorbed, providing the polyamides with optimum elasticity, strength and durability.

In practical use, basic stabilization of WAGO's polyamides has been proven over many years to be sufficient to prevent damage caused by ozone or UV radiation exposure in intended applications.

Polyamides have excellent resilience against the most demanding climates and have proven themselves in tropical applications worldwide. Insulation parts made of polyamide are resistant to insects. The material does not provide oxygen or other biogenic elements to microorganisms.

The presence of anaerobic earth bacteria, mold, fungus and enzymes does not degrade the material.

Polyamides are resistant to most fuels, greases, and oils, as well as the most commonly used cleaners, such as alcohol, Freon, Frigen, and carbon tetrachloride. Acid resistance depends on the acid type and concentration, as well as the exposure time.

The use of insulation materials during in-house production at WAGO only occurs after acceptance of factory test certificates and specified material tests.

**Glass Fiber-Reinforced Polyamide (PA 66 GF)**

WAGO uses glass-fiber-reinforced polyamides for components with increased mechanical demands, such as levers, push-buttons or housings exposed to high stress, because they have significantly better mechanical characteristic properties than non-reinforced polyamides.

In general, materials are used that have excellent tracking resistance, flammability ratings and high temperature resistance.

More data can be found in the table.

**Polyphthalamide (PPA GF)**

Glass-fiber-reinforced, high-performance polyamides are ideal for high-temperature applications, due to the material's high level of thermal dimensional stability, its low dependence on ambient conditions and its excellent strength properties. The material's outstanding tracking resistance permits short creepage distances to be incorporated into miniature components. Fire protection equipment enables classification in flammability class V0 per UL 94 – even for extremely thin walls. PPA GF absorbs minute amounts of moisture from the atmosphere making it ideal for reflow soldering applications and for thin-walled, dimensionally stable components.

More data can be found in the table.

**Polyamide (PA 46)**

In comparison with PA 66, PA 46 has substantially higher dimensional stability under heat. The relative temperature index with impact load (RTIimp) is 115°C (239°F) for PA 4.6. The permissible short-term temperature for the type used by WAGO is 280°C (536°F).

More data can be found in the table.

**Polycarbonate (PC)**

Polycarbonate has excellent dimensional stability under heat. The electrical and mechanical properties remain intact at extremely high temperatures up to approximately 120°C (248°F) per UL Yellow Card. Its excellent electrical insulating properties and dimensional stability are virtually independent of environmental conditions, such as humidity and temperature. Highly precise components can be created due to the low shrinkage of the material during injection molding. Polycarbonate has excellent weather resistance and is also highly resistant to high energy radiation. If the PC is not colored, then the components are glass-clear.

Thanks to its desirable properties (e.g., dimensional stability, heat resistance, non-flammability, durability and transparency), PC is a proven and widely used material in the electrical industry.

Depending on the demands placed on the finished product, WAGO uses polycarbonates that carry flammability classifications V2 and V0 per UL 94.

Medium-viscosity PC is used that features excellent chemical resistance.

## Material Specifications

### Contact Materials

Hard and extra-hard electrolytic copper (ECu), as well as extra-hard copper alloys are the standard materials used for the current-carrying parts of all WAGO products.

These materials combine excellent conductivity and good chemical resistance without the risk of stress-induced cracking.

### Contact Materials

The special tin layer, which is the standard layer for all current-carrying parts in WAGO products, ensures perfect long-term protection against corrosive substances. Furthermore, these layers provide a gas-tight contact that ensures a durable transition resistance.

At the clamping unit, the conductor is embedded into the soft tin layer via high contact pressure. This protects the contact area against corrosion.

The thick tin layer also ensures good solderability of both PCB terminal block and connector solder pins.

### Clamping Spring Material

Every WAGO clamping spring is made of high-quality, accurately tested austenitic chrome nickel steel (CrNi) with high tensile strength, which boasts proven corrosion resistance through long-term usage.

It is resistant to sea spray, city pollutants and industrial emissions (e.g., sulfur dioxide, hydrogen sulfide).

At room temperatures of approximately 20°C (68°F), the material is resistant to salt solutions up to 30% and dilute phosphoric acids up to 30%.

Even after decades of use, no galvanic corrosion between the chrome nickel spring steel (in connection with the contact materials used by WAGO) and the connected copper conductors has been detected.

The relaxation of the material as a function of time and surrounding temperatures up to 105°C (221°F) can be ignored. Samples loaded with 500 N/mm<sup>2</sup> at a temperature of 250°C (482°F) showed a relaxation of only 1.5%.

In certain product lines, the clamping springs are thermally treated at temperatures between 350°C (662°F) and 420°C (788°F) after production.

This treatment reduces internal stress due to the material's mechanical deformation, which may result in a slight brown discoloration of the spring surface.

WAGO only accepts deliveries of chrome nickel spring steel against certificates of conformity and after select material tests have been performed.

## General Technical Information on Electrical Equipment Used in Hazardous Areas

The formation of an explosive atmosphere is required for the existence of a potentially explosive hazard. Such an atmosphere can be produced at any location where flammable gases or liquids are manufactured, processed, transported and/or stored.

Such hazardous areas can be found in a wide range of industries, including chemical plants, refineries, power plants, paint production facilities, painting shops, filling stations, vehicles, sewage treatment plants, airports, grain mills or harbor facilities.

### THE FOLLOWING APPLIES AS A GUIDELINE FOR THE UNDERLYING PRINCIPLE FOR EXPLOSION PROTECTION:

#### General Requirements

The European EN 60079-0 Standard – VDE 0170-1 Classification – contains general requirements for the design and testing of electrical equipment to be used in hazardous areas.

This ensures this equipment does not cause an explosion in the surrounding atmosphere. EN 60079-0 is supplemented or revised by the European standards indicated on the right which refer to the specifically standardized types of protection.

#### Electrical Equipment

Electrical equipment includes all items used in whole or in part with electricity. This includes items for generation, transport, distribution, storage, measurement, control, conversion and consumption of electrical power, as well as telecommunications.

#### Ex Components

Ex components are elements of electrical equipment for hazardous areas that are marked with the "U" letter. These components must not be used on their own in such areas and require an additional certificate when used in such areas when installed in the electrical equipment.

#### Ignition Protection Categories

Only explosion-proof (protected) equipment must be used in areas in which an explosive atmosphere may still be expected despite the implementation of prevention measures. Explosion-protected electrical equipment can have various types of protection in accordance with the EN 60079 standard requirements.

Protection used by the manufacturer essentially depends on the type and function of the apparatus. From a safety point of view, all standardized types of protection should be viewed as equal.

The ignition protection category "n" exclusively describes the use of explosion-protected electrical components in Zone 2. This zone includes areas in which hazardous, potentially explosive atmospheres are likely to occur rarely or short-term. This represents a transition between Zone 1, in which explosion protection is required, and the safe area in which, for example, welding may be performed at any time.

Regulations covering these electrical components are being prepared worldwide. Organizations such as KEMA in the Netherlands, or PTB in Germany certify that the devices meet the requirements of the EN 60079-15 standard.

Ignition protection category "n" also requires that electrical equipment be provided with additional ID markings as follows:

- nA – non-sparking
- nC – enclosed-break, hermetically sealed, non-incendive, sealed
- nR – restricted-breathing

The table on the opposite page shows an overview of the standardized ignition protection categories and describes their basic principle, as well as typical applications.

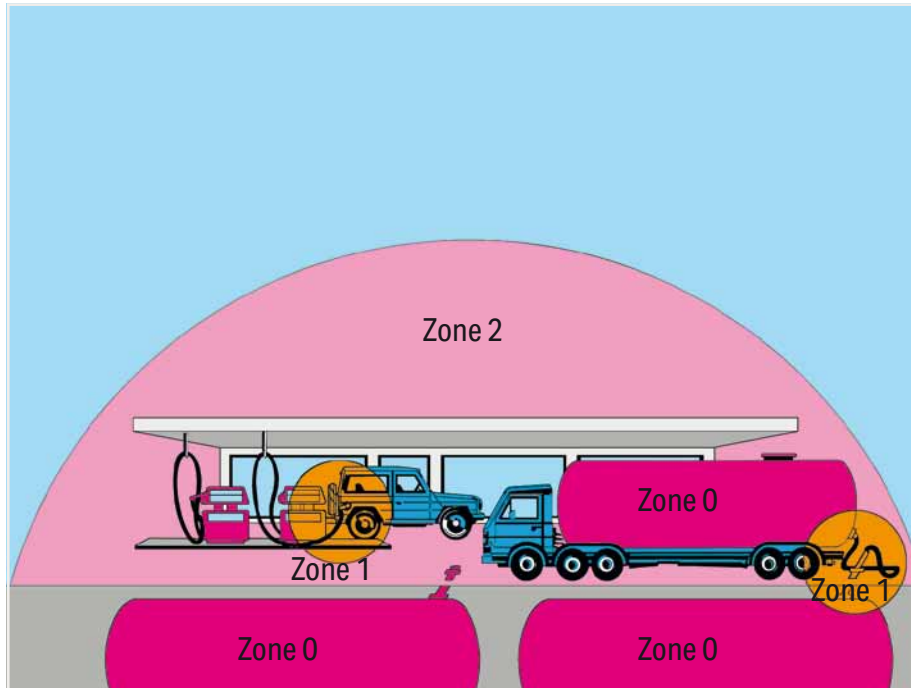
# General Technical Information on Electrical Equipment Used in Hazardous Areas

## Continued

### Hazardous Areas

Hazardous areas are zones in which the atmosphere may become explosive. An explosive atmosphere is a mixture of flammable substances in the form of gases, vapors or mixtures with air under atmospheric conditions in critically mixed ratios such that excessive high temperature, arcs or sparks may cause an explosion.

EN 60079-10-1/EN 60079-10-2 and all other well-known standards rank hazardous areas according to the likelihood of the occurrence of an explosive atmosphere into the following zones:



Hazardous areas due to explosive gases, vapors and mists:

#### Zone 0

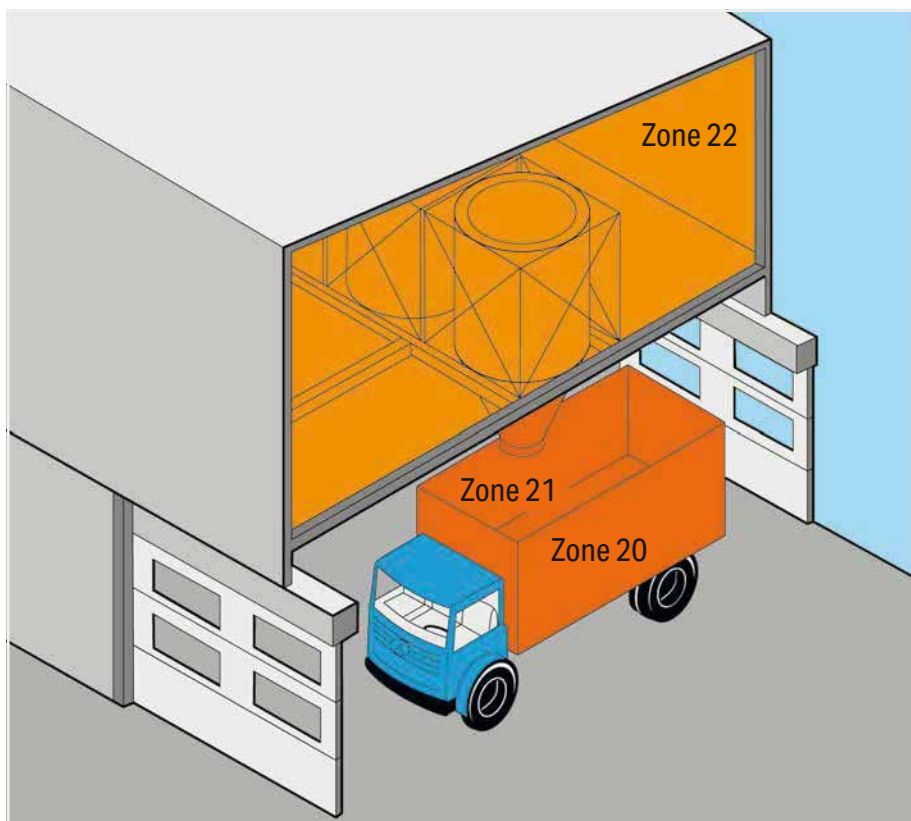
Area in which an explosive gas atmosphere is present continuously, for long periods or frequently.

#### Zone 1

Area in which an explosive gas atmosphere is likely to occur periodically or occasionally during normal operation.

#### Zone 2

Area in which an explosive gas atmosphere is unlikely to occur during normal operation; if it does occur, then it is temporarily.



Hazardous areas due to explosive dust/air mixtures:

#### Zone 20

Area in which an explosive dust atmosphere due to dust/air mixtures is present continuously, for long periods or frequently.

#### Zone 21

Area in which an explosive dust atmosphere due to dust/air mixtures is likely to occur occasionally during normal operation.

#### Zone 22

Area in which an explosive dust atmosphere due to flammable dust/air mixtures is unlikely to occur during normal operation; but if it occurs, then only for a short period of time.

EN 60079-0 also classifies electrical equipment for use in hazardous areas into two groups:

#### Group I:

Electrical equipment for mines susceptible to firedamp

#### Group II:

Electrical equipment for hazardous areas, except for mines susceptible to firedamp.

As this broad application range encompasses a large number of potentially flammable gases, Group II is broken down into sub-groups IIA, IIB and IIC.

This breakdown is based on different gases/materials exhibiting differing ignition power levels as parameters. Therefore, representative gases have been allocated to these three sub-groups:

- IIA – Propane
- IIB – Ethylene
- IIC – Hydrogen

WAGO's terminal blocks can be used both in Group I and Group II.

This information is given under Item 12 in the EU Prototype Test Certificates, based on which the terminal blocks have been approved for Group I and Group II.

Temperature Class	Maximum Surface Temperature (°C)
T1	450
T2	300
T3	200
T4	135
T5	100
T6	85

Depending on the maximum surface temperature, electrical equipment in Group II are classified in temperature categories T1 to T6 for all protection types. The surrounding air temperature, which must be accounted for in dimensioning, is defined as 40°C/104°F (deviations are acceptable under some conditions).

Terminal blocks for "eb" (increased safety) protection type are generally assigned to temperature category T 6. When rail-mount terminal blocks are used in equipment of temperature categories T1 to T5, ensure that the highest temperature on the insulating parts does not exceed 85°C (185°F). The highest measured surface temperature rise must not exceed 40 K.

Thermal resistance of the insulation material must be at least 20°C (68°F) greater than the highest operating temperature. Low temperature stability is considered to be sufficient when the insulation material can withstand 24-hour storage at a temperature of -60°C (-76°F) without nullifying the type of protection.

#### Special Requirements

##### "Increased Safety Ex e"

The European EN 60079-7 Standard – VDE 0170-6 Classification – contains special requirements for the design and testing of electrical equipment with "eb" (increased safety) protection type for use in hazardous areas.

This standard is a supplement to EN 60079-0 and applies to equipment or parts thereof that neither generate sparks or arcing under normal operating conditions, nor exhibit hazardous temperatures.

This standard describes special measures, which have to be observed to obtain a safety degree according to the "eb" (increased safety) protection type.

Ex components such as rail-mount terminal blocks are covered by Section 4.2 "Terminal Blocks for External Conductors":

- The terminal blocks must be installed in an enclosure meeting the requirements of a recognized protection type per EN 60079-0, Section 1 or EN 60079-31.
- When installing the terminal blocks in an enclosure of protection type "eb" (increased safety) per EN 60079-7, the clearances and creepage distances of Table 2 must be observed. When using accessories, the installation instructions of the manufacturer must be observed.
- The terminal blocks can be used both in Group II and Group I, as the standard requirements are identical in this case.
- The use of this component requires a new assessment by a notified certification agency.

#### Minimum Ignition Power of Typical Gases:

Explosion Group	I	IIA	IIB	IIC
Gas	Methane	Propane	Ethylene	Hydrogen
Ignition Power	280	250	82	16

The following are the most important design requirements for terminal blocks for external supply conductors to electrical equipment: These must:

- be sufficiently large to permit reliable connection of external supply conductors with cross section of at least the size required by the nominal current of the equipment
- be protected against self-loosening and designed such that the supply conductors cannot slip out of their clamping units
- be designed such that adequate contact pressure is ensured without damaging the conductors
- be designed such that their contact pres-

sure does not change with temperature cycling

- be equipped with a spring connecting link for the connection of stranded conductors
- be designed so as to allow secure connection of smaller conductors for terminal blocks up to 4 mm<sup>2</sup> (12 AWG).

# General Technical Information on Electrical Equipment Used in Hazardous Areas

## Continued

Classification of insulation materials according to their tracking resistance is based on their Comparative Tracking Index (CTI) and is defined in Table 1 as follows:

This classification applies to insulating parts without ribs or grooves.

If the insulating parts have ribs or grooves sufficiently large to be considered, the minimum creepage distances must be set according to values for the insulation materials in the next-higher level (e.g., Group I, instead of Group II).

Accounting for the surrounding air temperature of 40°C (104°F) specified for electrical equipment, the current-carrying capacity of rubber-insulated conductors is reduced to 82%, based on DIN VDE 0298-4:2013-06, Table 12 and to 87% for PVC-insulated conductors for the current-carrying capacity defined for 30°C (86°F) in accordance with DIN VDE 0298-4:2013-06, Item 4.3.3.

### Conductor Types and Conductor Preparation

In accordance with EN 60079-14/DIN VDE 0165-1, the ends of stranded and fine-stranded conductors must be protected against splicing (e.g., via cable lugs or ferrules) or by the type of terminal blocks used. Soldering alone is not sufficient.

According to EN 60069-7/DIN VDE 0170-6, connecting electrical equipment to terminal blocks having an "eb" (increased safety) protection type must not lead to a reduction of the clearances and creepage distances.

Based on experience through the application of terminal blocks in aggressive atmospheres in the chemical industry, WAGO recommends gas-tight tinned copper ferrules or tinned copper pin terminals when connecting fine-stranded conductors to terminal blocks

**Table 1– Tracking Resistance for Insulation Materials**

Material Group	Comparative Tracking Index
I	600 ≤ CTI
II	400 ≤ CTI < 600
III a	175 ≤ CTI < 400
III b	100 ≤ CTI < 175

in corrosive atmospheres.

**Table 2– Minimum Creepage Distances/Clearances and Isolations**

Voltage (see <sup>a</sup> and <sup>b</sup> ) RMS Value for AC or DC Voltage V	Minimum Creepage Distance mm								Minimum Clearance and Isolations mm		
	Material Group								Clearance mm	Distance under Coating <sup>d</sup>	"ec"
	I		II		III a		III b				
	"eb"	"ec"	"eb"	"ec"	"eb"	"ec"	"eb"	"ec"	"eb"	"ec"	"ec"
≤ 10 (see <sup>c</sup> )	1.6	1	1.6	1	1.6	1	–	1	1.6	0.4	0.3
≤ 12.5	1.6	1.05	1.6	1.05	1.6	1.05	–	1.05	1.6	0.4	0.3
≤ 16	1.6	1.1	1.6	1.1	1.6	1.1	–	1.1	1.6	0.8	0.3
≤ 20	1.6	1.2	1.6	1.2	1.6	1.2	–	1.2	1.6	0.8	0.3
≤ 25	1.7	1.25	1.7	1.25	1.7	1.25	–	1.25	1.7	0.8	0.3
≤ 32	1.8	1.3	1.8	1.3	1.8	1.3	–	1.3	1.8	0.8	0.3
≤ 40	1.9	1.4	2.4	1.6	3	1.8	–	1.8	1.9	0.8	0.6
≤ 50	2.1	1.5	2.6	1.7	3.4	1.9	–	1.9	2.1	0.8	0.6
≤ 63	2.1	1.6	2.6	1.8	3.4	2	–	2	2.1	0.8	0.6
≤ 80	2.2	1.7	2.8	1.9	3.6	2.1	–	2.1	2.2	0.8	0.8
≤ 100	2.4	1.8	3	2	3.8	2.2	–	2.2	2.4	0.8	0.8
≤ 125	2.5	1.9	3.2	2.1	4	2.4	–	2.4	2.5	1	0.8
≤ 160	3.2	2	4	2.2	5	2.5	–	2.5	3.2	1.5	1.1
≤ 200	4	2.5	5	2.8	6.3	3.2	–	3.2	4	2	1.7
≤ 250	5	3.2	6.3	3.6	8	4	–	4	5	2.5	1.7
≤ 320	6.3	4	8	4.5	10	5	–	5	6	3	2.4
≤ 400	8	5	10	5.6	12.5	6.3	–	6.3	6	4	2.4
≤ 500	10	6.3	12.5	7.1	16	8	–	8	8	5	2.4
≤ 630	12	8	16	9	20	10	–	10	10	5.5	2.9
≤ 800	16	10	20	11	25	12.5	–	–	12	7	4
≤ 1000	20	11	25	11	32	13	–	–	14	8	5.8
≤ 1250	22	12	26	12	32	15	–	–	18	10	–
≤ 1600	23	13	27	13	32	17	–	–	20	12	–
≤ 2000	25	14	28	14	32	20	–	–	23	14	–
≤ 2500	32	18	36	18	40	25	–	–	29	18	–
≤ 3200	40	22	45	22	50	32	–	–	36	22	–
≤ 4000	50	28	56	28	63	40	–	–	44	28	–
≤ 5000	63	36	71	36	80	50	–	–	50	36	–
≤ 6300	80	45	90	45	100	63	–	–	60	45	–
≤ 8000	100	56	110	56	125	80	–	–	80	56	–
≤ 10000	125	71	140	71	160	100	–	–	100	70	–
≤ 12500	–	90	–	90	–	125	–	–	–	89	–
≤ 13640	–	98	–	98	–	138	–	–	–	97	–

<sup>a</sup> When determining the required values for creepage distances and clearances, the working voltage may be 1.1 times higher than the value in the table.

NOTE: The factor of 1.1 takes into account that in many places in a circuit the working voltage is equal to the rated voltage and that a number of rated voltages are used, which are covered by a factor of 1.1.

<sup>b</sup> The specified values for creepage distances and clearances already take into account a 10% tolerance for the highest supply voltage. Therefore, further considerations on the voltage fluctuations are unnecessary for determining which voltage value from the table should be used.

<sup>c</sup> CTI values are not applicable for voltages of 10 V or less. Materials that do not meet the requirements of material group III a can be used.

<sup>d</sup> The specified distances under consideration apply to printed circuit boards in protection level "ec" after 4.5.

It is expressly prohibited to use insulating parts for transferring contact forces. Terminal blocks with sharp edges which could damage supply lines and those types that can be rotated, turned or permanently deformed when fixed in place are not permitted for use. Terminal blocks for internal connections in electrical equipment must not be subjected to excessive mechanical stress. These items must fulfill the requirements for terminal blocks used for external supply conductors.

Clearances between conductive parts having different potentials must be at least 3 mm for external connections, as specified in Table 2. The value of the creepage distances depends on the working voltage, surface geometry of the insulating parts and tracking resistance of the insulation material.

Grooves on the surface may only be considered if they are at least 2.5 mm deep and wide; ribs on the surface only if their height is at least 2.5 mm and their width corresponds to the mechanical strength of the material, however not smaller than 1 mm.



**Approvals**

Terminal blocks may be used in Zones 1 and 2, provided that the terminal blocks are accommodated in an enclosure that has a minimum IP54 protection and an Ex e certification.

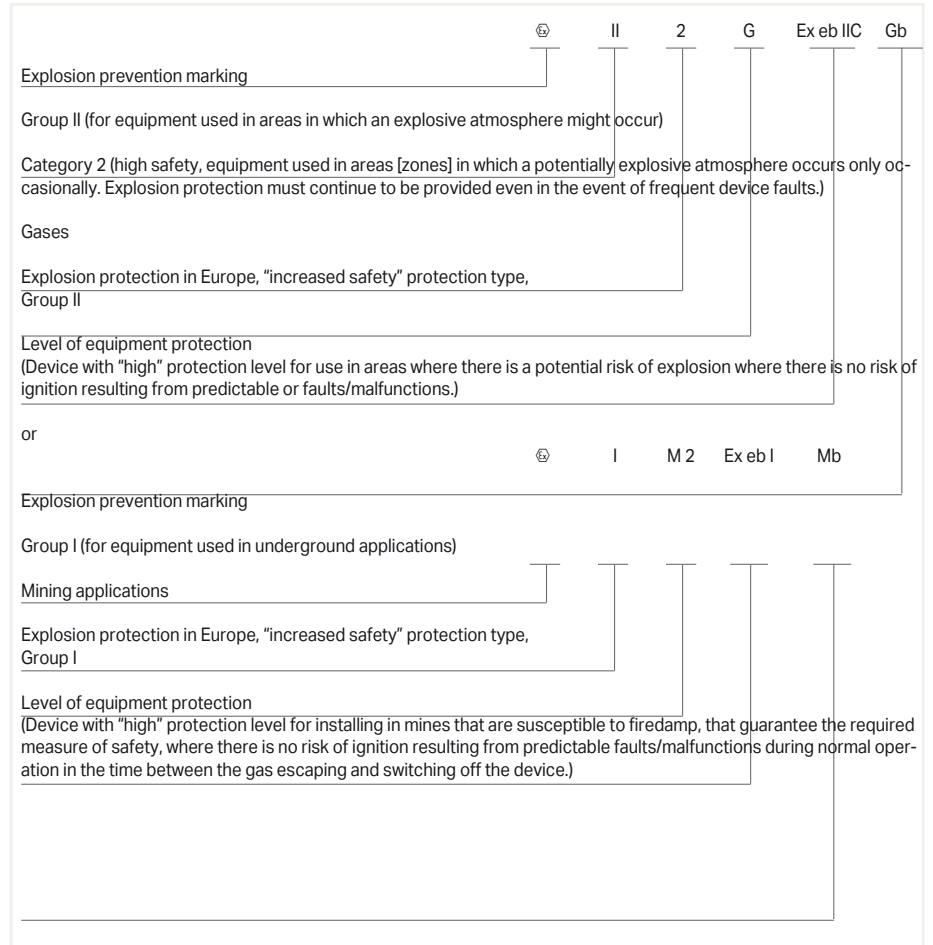
Terminal blocks are considered to be Ex components because they are a part of the equipment. Part certificates provided by Ex Certification Agencies serve as a basis for issuing the complete conformity declaration for the unit.

An EC-type examination certificate is issued in accordance with the 2014/34/EU ATEX Directive.

In addition, an IEXEx Certificate may also be obtained from an appropriate, recognized certification agency in accordance with the IECEx Certification Agreement that is accepted throughout Europe and also in countries such as Canada, China and Australia. These certificates can also be viewed at: [www.iecex.com](http://www.iecex.com).

EC-type examination certificates have been granted to all WAGO terminal blocks listed in this catalog. WAGO terminal blocks approved for use in Ex e II areas are manufactured of flame-resistant, self-extinguishing Polyamide 66. The same applies to the terminal blocks used in non-hazardous areas. Tracking resistance with a CTI value of 600 as per IEC 60112 and a constant operating temperature of 105°C (22°F) in accordance with IEC 60216-1 and -2 are provided. Factory part quality tests are performed on all PCB terminal blocks with Ex e II approval to monitor and ensure the quality features described above.

**Terminal block marking per 2014/34/EU ATEX Directive:**



## General Technical Information on Electrical Equipment Used in Hazardous Areas

### Continued

#### Special Requirements

##### Equipment Protection by Intrinsic Safety "i"

The European EN 60079-11 Standard – Classification VDE 0170-7 – contains special requirements for the design and testing of electrical equipment with "i" (intrinsic safety) protection type for use in hazardous areas.

A circuit is "intrinsically safe" when, under normal operating conditions and in the event of specific fault conditions, no sparks or thermal effects can occur and cause the ignition of a certain explosive atmosphere.

A distinction is made here between:

- intrinsically safe electrical equipment when all circuits are intrinsically safe
- associated electrical equipment including both intrinsically and non-intrinsically safe circuits, and being designed such that the non-intrinsically safe circuits cannot affect the intrinsically safe ones.

Intrinsically safe electrical equipment and intrinsically safe parts of associated electrical equipment are classified at "ia", "ib" or "ic" protection level.

Electrical equipment classified Ex "ia" must not ignite when current is applied in the following cases:

- During fault-free operation, with those non-discreet faults present that result in the most adverse condition
- During fault-free operation and with a discreet fault, plus those non-discreet faults that result in unfavorable conditions
- During fault-free operation with two discreet faults, plus those non-discreet faults that result in the most adverse conditions.

Electrical equipment classified Ex "ib" must not ignite when current is applied in the following cases:

- During fault-free operation, with those non-discreet faults present that result in the most adverse condition;
- During fault-free operation and with a discreet fault, plus those non-discreet faults that result in unfavorable conditions.

At applied voltages, the intrinsically safe circuits in electrical equipment of protection level "ic" shall not be capable of causing ignition during undisturbed operation and under the conditions specified in this standard.

No special approval is required for terminal blocks used as simple electrical equipment for "Ex i" protection type, as they do not contain a voltage source and precise information is available concerning electrical data and temperature rise performance.

The terminal blocks must be identifiable, for example by their type designation, and the following design requirements must also be upheld:

Clearances and creepage distances between bare conductive parts of terminal blocks of separate intrinsically safe circuits and grounded or floating conductive parts shall be equal to or greater than the values given in Table 5 (see 654). If separate intrinsically safe circuits are to be considered, the air gap between bare conductive parts of the outer connection parts must meet the following requirements:

- at least 6 mm between the separate intrinsically safe circuits
- at least 3 mm from grounded parts, if a possible connection to ground has not been considered in the safety analysis. Each possible motion of metallic parts that are not rigidly secured must be considered.

**Terminal block marking must be unique and clearly visible. If a color is used for this, the color must be light blue (similar to RAL 5015).**

Note also when using terminal blocks:

Terminal blocks used for intrinsically safe circuits must be isolated from those used in non-intrinsically safe circuits. This is accomplished by several accepted methods. First, intrinsically safe circuits are separated by at least 50 mm of air space from non-intrinsically safe circuits.

Second, intrinsically safe circuits are housed in a separate enclosure. Third, intrinsically safe terminal blocks are separated from non-intrinsically safe terminal blocks by either an insulated partition or grounded metal partition. The partition size must allow for either 1.5 mm or less distance from the sides of the housing or provide at least 50 mm of creepage distance between the intrinsically and non-intrinsically safe circuits in all directions.

The insulation between an intrinsically safe and a non-intrinsically safe circuit has to withstand an effective AC voltage of  $2 \times$  nominal value (U) 1000 V or a minimum of 1500 kV, whereby U represents the total of the effective voltages of the intrinsically safe and the non-intrinsically safe circuit.

Short circuit between different intrinsically safe circuits could cause dangerous conditions. The insulation between these circuits should withstand an effective voltage of at least 500 VAC or 2 UAC where U is the total of the effective voltages of the related circuits.

In accordance with EN 60079-14/ DIN VDE 0165-1, in intrinsically safe circuits, the ends of stranded and fine-stranded conductors must be protected against splaying (e.g., via cable lugs or ferrules) or by the type of terminal blocks used. Soldering alone is not sufficient.

WAGO recommends gas-tight tinned copper ferrules or tinned copper pin terminals when connecting fine-stranded conductors to terminal blocks in corrosive atmospheres.

Requirements pertaining to the necessary distances as appropriate for use of the terminal blocks in the area DIN EN 60079-11 (VDE 0170-7) "Explosive atmosphere – Part 11: Device protection by intrinsically safe features "i" (IEC 60079-11)" are defined under Section 6.2 "Connecting point for external circuits," Section 6.2.1 "Terminal blocks." In general, the following can be stated for terminal blocks based on figure 1: "Example of isolated intrinsically safe terminal blocks with partition" in conjunction with figure 2: "Example of isolation of conductive parts," considering Table 5 – "Clearances, Creepage and Isolation Distances."

Outside:

a) Isolated intrinsically safe circuits: at least 6 mm

**All PCB terminal blocks listed on the ordering pages as suitable for Ex "i" applications fulfill these requirements.**

b) Intrinsically safe circuits and normal circuits (non-intrinsically safe):  $\geq 50$  mm

Inside:

a) Ex "i" to Ex "i"

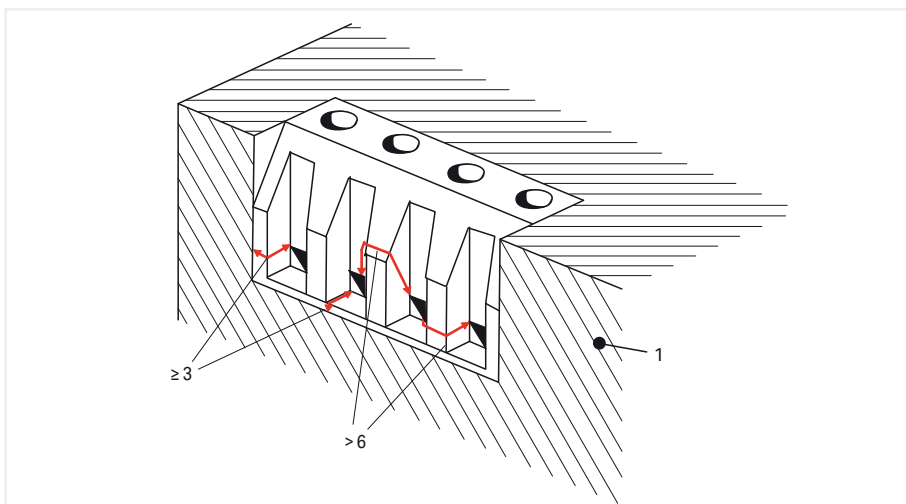
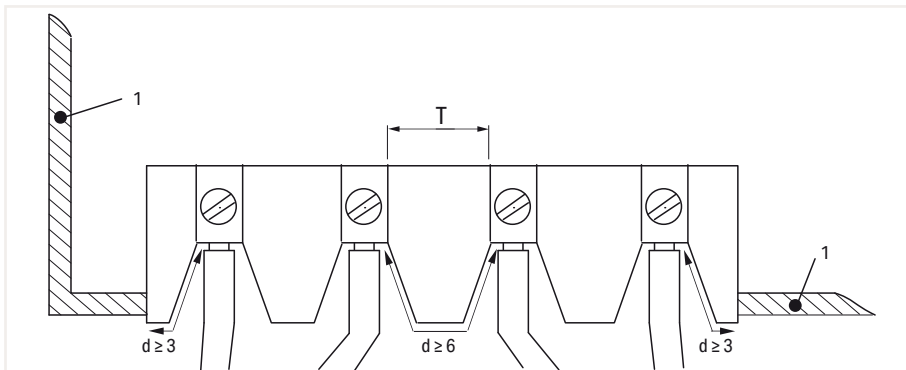
b) Ex "i" to normal circuits

c) Ex "i" to ground

Based on Figure 2 and Table 5 (see next page) in accordance with the selected protection level and the special requirements for isolation distances as described in Sections 6.3.1 to 6.3.13, or in accordance with the alternative procedure for dimensioning of isolation distances given in Annex F.

Terminal blocks with smaller pin spacing may also be used for internal connections, provided they meet the requirements laid out in Table 5 (see below).

The exact clearances and creepage distances as well as separation distances based on Table 5 must be derived from the application items cited above.



Legend:

- 1 Conductive cover
- T Distances based on Table 5
- d Distance at outer connecting parts of the terminal blocks according to 6.2.1

Note:

The dimensions indicated here represent the clearances and creepage distances around the insulation and not the thickness of the insulation.

Dimensions in mm

Figure 1a: Requirements for clearances and creepage distances for terminal blocks with isolated, intrinsically safe circuits

# General Technical Information on Electrical Equipment Used in Hazardous Areas

## Continued

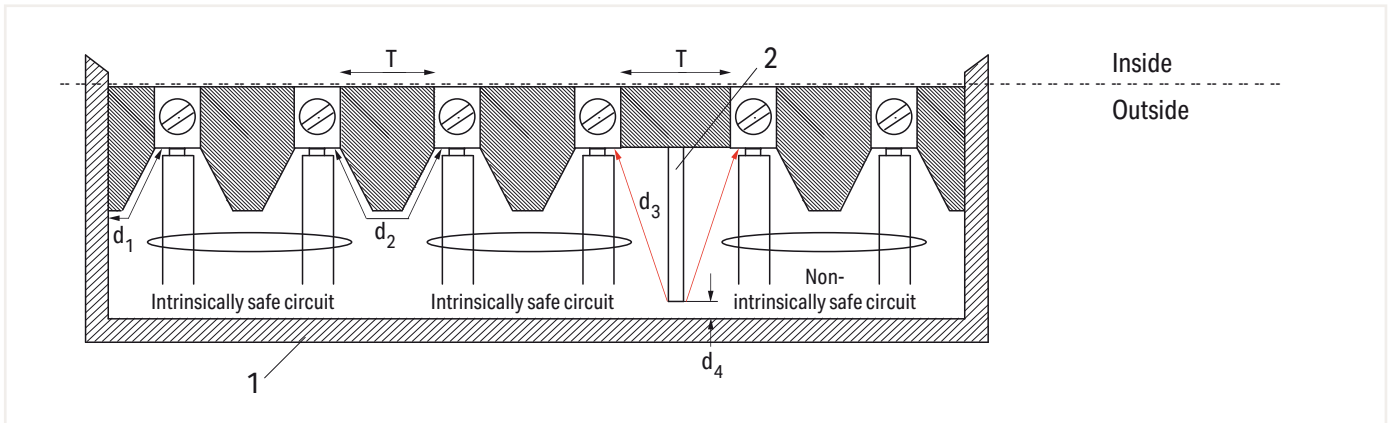


Figure 1b: Example of isolated intrinsically safe and non-intrinsically safe terminal blocks by a partition

**Legend:**

- 1 Cover: non-conductive or conductive and grounded
- 2 Partition based on 6.2.1 b); in this example, the partition must end at the base
- T Distances based on Table 5
- d1 ≥ 3 mm, when the cover is conductive and grounded
- d2 ≥ 6 mm
- d3 ≥ 50 mm or d4 ≤ 1.5 mm

**Note:**

The dimensions indicated here represent the clearances around the insulation and not the thickness of the insulation.

**Table 5 – Clearances, Creepage and Isolation Distances**

1 Voltage (Peak) (V)	2 Clearance (in mm)		3 Separation by Encapsulation (in mm)		4 Separation by Fixed Insulation (in mm)		5 Creepage Distance through Air (in mm)		6 Creepage Distance be- neath Protective Layer (in mm)		7 Comparative Tracking In- dex (CTI)	
	ia, ib	ic	ia, ib	ic	ia, ib	ic	ia, ib	ic	ia, ib	ic	ia	ib, ic
10	1.5	0.4	0.5	0.2	0.5	0.2	1.5	1.0	0.5	0.3	--	
30	2.0	0.8	0.7	0.2	0.5	0.2	2.0	1.3	0.7	0.3	100	100
60	3.0	0.8	1.0	0.3	0.5	0.3	3.0	1.9	1.0	0.6	100	100
90	4.0	0.8	1.3	0.3	0.7	0.3	4.0	2.1	1.3	0.6	100	100
190	5.0	1.5	1.7	0.6	0.8	0.6	8.0	2.5	2.6	1.1	175	175
375	6.0	2.5	2.0	0.6	1.0	0.6	10.0	4.0	3.3	1.7	175	175
550	7.0	4.0	2.4	0.8	1.2	0.8	15.0	6.3	5.0	2.4	275	175
750	8.0	5.0	2.7	0.9	1.4	0.9	18.0	10.0	6.0	2.9	275	175
1000	10.0	7.0	3.3	1.1	1.7	1.1	25.0	12.5	8.3	4.0	275	175
1300	14.0	8.0	4.6	1.7	2.3	1.7	36.0	13.0	12.0	5.8	275	175
1575	16.0	10.0	5.3	*	2.7	*	49.0	15.0	16.3	*	275	175
3.3k	*	18.0	9.0	*	4.5	*	*	32.0	*	*	*	*
4.7k	*	22.0	12.0	*	6.0	*	*	50.0	*	*	*	*
9.5k	*	45.0	20.0	*	10.0	*	*	100.0	*	*	*	*
15.6k	*	70.0	33.0	*	16.5	*	*	150.0	*	*	*	*

Note 1: \*At present, no values have been recommended for these voltages.

Note 2: Proof of fulfillment of the CTI requirements for the insulating materials must be provided by the manufacturer. Defining a CTI is not required for insulation materials for voltage levels up to 10 V.

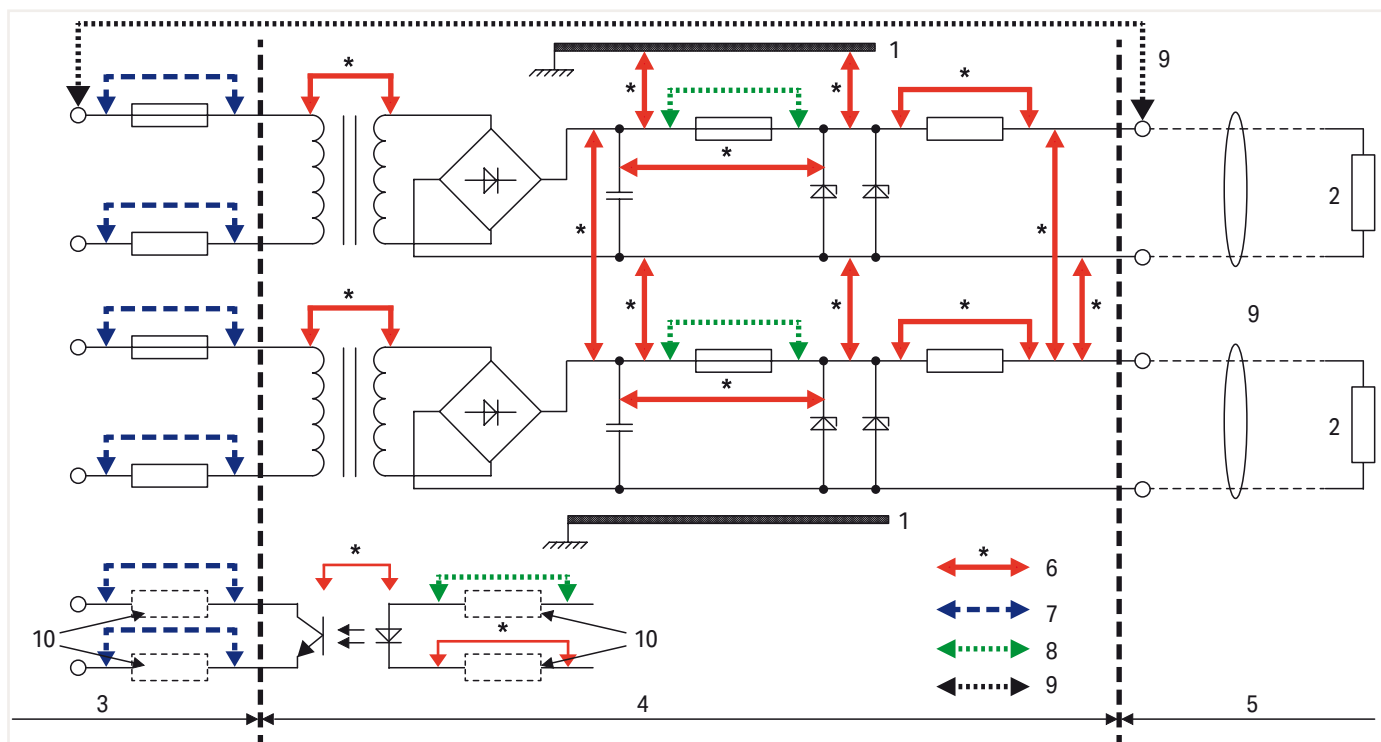


























Figure 2: Isolation examples for conductive parts











**Legend:**

- 1 Chassis
- 2 Load
- 3 Non-intrinsically safe circuit defined by  $U_m$
- 4 Portion of intrinsically safe circuit, item is not intrinsically safe
- 5 Intrinsically safe circuit
- 6 Dimensions for which Table 5 applies
- 7 Dimensions for which general industrial standards apply
- 8 Dimensions per 7.3
- 9 Dimensions based on 6.2.1 for output terminal blocks between isolated intrinsically safe circuits ( $d_2 \geq 6 \text{ mm}$ ) and between intrinsically safe circuits and non-intrinsically safe circuits ( $d_3 \geq 50 \text{ mm}$ )
- 10 Where required

In accordance with DIN EN 60079-14 (VDE 0165-1), in intrinsically safe circuits, the ends of stranded and fine-stranded conductors must be protected against splaying (e.g., via cable lugs or ferrules) or by the type of terminal blocks used. Soldering alone is not sufficient. The conductor entry funnels of WAGO PCB terminal blocks fulfill this requirement. WAGO recommends gas-tight tinned copper ferrules or tinned copper pin terminals when connecting fine-stranded conductors to terminal blocks in corrosive atmospheres.

## International Certification Organizations – Overview

		Abbreviation			Abbreviation
	Underwriters Laboratories USA <a href="http://www.ul.com">http://www.ul.com</a>	UL		Danmarks Elektriske Materielkontrol Denmark <a href="http://www.demko.dk">http://www.demko.dk</a>	DEMKO
	Underwriters Laboratories USA <a href="http://www.ul.com">http://www.ul.com</a>	UL		CENELEC CERTIFICATION AGREEMENT Danmarks Elektriske Materielkontrol Denmark <a href="http://www.cenelec.org">http://www.cenelec.org</a>	CCA Zul.-Nr. mit NL
	Underwriters Laboratories USA <a href="http://www.ul.com">http://www.ul.com</a>	cURus			
	Underwriters Laboratories USA <a href="http://www.ul.com">http://www.ul.com</a>	cULus		SETI – FEMKO Sähkötarkastuskeskus Elinspektionscentralen Finland <a href="http://www.seti.fi">http://www.seti.fi</a>	
	Canadian Standards Association Canada <a href="http://www.csa.ca">http://www.csa.ca</a>	CSA		Sähkötarkastuskeskus Elinspektionscentralen Finland <a href="http://www.fimko.com">http://www.fimko.com</a>	FIMKO
	VDE-Gutachten mit Fertigungsüberwachung Germany <a href="http://www.vde.de/vde/html/e/home.htm">http://www.vde.de/vde/html/e/home.htm</a>	VDE		South African Bureau of Standards South Africa <a href="http://www.sabs.co.za">http://www.sabs.co.za</a>	SABS
	VDE – Deutscher Verband für Elektrotechnik Germany <a href="http://www.vde.de">http://www.vde.de</a>			RosTest Russia <a href="http://www.rostest.ru">http://www.rostest.ru</a>	ROTEST
VDE	VDE – Prüfbericht Germany			Departamentul Moldovastandard Moldova <a href="http://www.moldova.md/ro/government/oil/D_STAND/en/strcent2.htm">http://www.moldova.md/ro/government/oil/D_STAND/en/strcent2.htm</a>	CSM
	Österreichischer Verband für Elektrotechnik Austria <a href="http://www.ove.at">http://www.ove.at</a>	ÖVE		Certificate of Registration Great Britain <a href="http://www.astacertification.com">http://www.astacertification.com</a>	ASTA
	Schweizerischer Elektrotechnischer Verein Switzerland <a href="http://www.sev.ch/">http://www.sev.ch/</a>	SEV		Rheinisch-Westfälischer Technischer Überwachungsverein e.V. Germany <a href="http://www.rwtuv.de">http://www.rwtuv.de</a>	RWTÜV
	N.V. tot Keuring van Elektrotechnische Materialen Netherlands <a href="http://www.kema.nl">http://www.kema.nl</a>	KEMA		Elektrotechnický výskumný a projektový ústav Czech Republic <a href="http://www.ezu.cz">http://www.ezu.cz</a>	EZU
CCA	CENELEC CERTIFICATION AGREEMENT N.V. tot Keuring van Elektrotechnische Materialen Netherlands <a href="http://www.cenelec.org">http://www.cenelec.org</a>	CCA Zul.-Nr. mit NL		Stowarzyszenie Elektryków Polskich Poland <a href="http://www.sep.com.pl">http://www.sep.com.pl</a>	BBJ
	Norges Elektriske Materialkontroll Norway <a href="http://express.nemko.com">http://express.nemko.com</a>	NEMKO		Stowarzyszenie Elektryków Polskich Poland <a href="http://www.bbj.pl">http://www.bbj.pl</a>	SEP
	Svenska Elektriska Materielkontrollanstalten AB Sweden <a href="http://www.semko.com">http://www.semko.com</a>	SEMKO			

		Abbreviation			Abbreviation
<b>CNET</b>	Centre National d'Etudes des Télécommunications France <a href="http://www.lannion.cnet.fr">http://www.lannion.cnet.fr</a>	CNET		Robbanásbiztos Villamos Berendezések Hungary <a href="http://www.bki.hu">http://www.bki.hu</a>	BKI
<b>LCIE</b>	Laboratoire Central des Industries Electriques France <a href="http://www.lcie.fr">http://www.lcie.fr</a>	LCIE	CB	CB – TEST CERTIFICATE India <a href="http://www.ul-europe.com">http://www.ul-europe.com</a>	CB
	Fyzikálne Technické úzkusební Ústav, Ostrava-Radvanice Czech Republic <a href="http://www.ftzu.cz">http://www.ftzu.cz</a>	FTZU	CB	CB – TEST CERTIFICATE China <a href="http://www.ul-europe.com">http://www.ul-europe.com</a>	CB
				<a href="http://www.enec.com">http://www.enec.com</a>	ENEC
<b>Marine Approvals</b>			<b>EX Approvals</b>		
<b>BV</b>	Bureau Veritas France <a href="http://www.bureauveritas.fr">http://www.bureauveritas.fr</a>	BV		Physikalisch Technische Bundesanstalt Germany <a href="http://www.ptb.de">http://www.ptb.de</a>	PTB
	Lloyd's Register of Shipping Great Britain <a href="http://www.lloydsregister.com">http://www.lloydsregister.com</a>	LR		Underwriters Laboratories USA <a href="http://www.ul.com">http://www.ul.com</a>	AEx
	NV – Det Norske Veritas Norway <a href="http://www.dnvgl.com">http://www.dnvgl.com</a>	DNV-GL			
	Russian Maritime Register of Shipping GUS <a href="http://www.rs-head.spb.ru">http://www.rs-head.spb.ru</a>	RMR			
	Polski Rejestr Statków Poland <a href="http://www.prs.pl">http://www.prs.pl</a>	PRS			
	Korean Register of Shipping Korea <a href="http://www.krs.co.kr">http://www.krs.co.kr</a>	KR			
<b>ABS</b>	American Bureau of Shipping USA <a href="http://www.eagle.org">http://www.eagle.org</a>	ABS			

## Electrical Engineering Laboratory Product Safety for Our Customers

To use terminal blocks globally, they must satisfy certain standards and obtain test certificates. These requirements apply to every manufacturer. WAGO also conducts its own tests to increase standards and offer greater reliability with its products. Products undergo a full range of mechanical, electrical and climatic testing, and we'll share a few of those processes with you.

### Pull-Out Test (per EN 60947-7-1, EN 60998-2-2)

During the pull-out force test, a conductor is pulled on until it is removed from the clamping unit. The design of the terminals means that extraction only occurs after the standard pull-out force has been exceeded many times over.

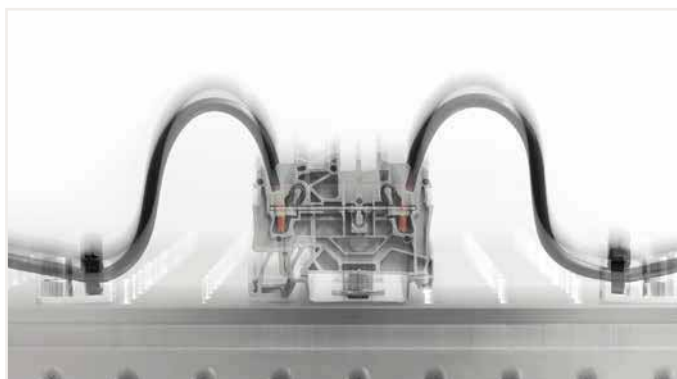
### WAGO Test Lab

This means that WAGO's products can be used safely and reliably both in Europe and anywhere globally for a wide variety of applications. We heavily emphasize the importance of global acceptance during development. As a result, we can present documentation that verifies our high levels of product safety and reliability while ensuring the fulfillment and accuracy of technical data, which are the highest priorities for our customers and users worldwide. On December 22, 2009, our test lab was accredited by the German Accreditation Association (Deutsche Gesellschaft für Akkreditierung GmbH) in accordance with DIN EN ISO/IEC 17025.



### Vibration Test (per IEC/EN 60068-2-6)

Depending on the application, such as railway (per EN 61373) or marine (per GL, LR, DNV), there are various testing requirements to determine if the long-term effects of vibrations degrade electrical connections. The test specimen is subjected to different loads on three axes in an electrodynamic vibration system. The amplitude, the acceleration, and particularly the frequency of the vibration vary during the test. The test values are increased many times over the standard values to meet special customer requirements.



### Shock Test (per IEC/EN 60068-2-27)

The shock test is very similar to the vibration test except that, instead of continuous vibrations, single shocks are applied to the test specimen. Shock tests are usually performed, for example, at an acceleration of 20g over a period of 11 ms. Tests for special requirements often call for much higher values and are also conducted in our laboratory. Single-deck TOPJOB® S Rail-Mount Terminal Blocks, for example, pass shock tests up to 500g.



### Voltage Drop Test under Bending Stress (per EN 60947-7-1, EN 60999-1)

The voltage drop test under bending stress simulates mechanical stress on the clamping unit. In everyday use, this stress can occur during installation, for example, when an electrician shoves connected conductors to the side in order to access a specific component. The quality of the clamping unit when moving a connected conductor can be validated by the constantly stable measured value of the voltage drop.







## Deutsche Akkreditierungsstelle GmbH

**Beliehene gemäß § 8 Absatz 1 AkkStelleG i.V.m. § 1 Absatz 1 AkkStelleGBV**  
Unterzeichnerin der Multilateralen Abkommen  
von EA, ILAC und IAF zur gegenseitigen Anerkennung

# Akkreditierung



Die Deutsche Akkreditierungsstelle GmbH bestätigt hiermit, dass das Prüflaboratorium

**WAGO Kontakttechnik GmbH & Co. KG**  
**Hansastraße 27, 32423 Minden**

die Kompetenz nach DIN EN ISO/IEC 17025:2005 besitzt, Prüfungen in folgenden Bereichen durchzuführen:

**Elektrische und mechanische Prüfungen an Klemmen und Steckverbinder  
sowie Umweltsimulation**

Die Akkreditierungsurkunde gilt nur in Verbindung mit dem Bescheid vom 18.12.2014 mit der Akkreditierungsnummer D-PL-19704-01 und ist gültig bis 17.12.2019. Sie besteht aus diesem Deckblatt, der Rückseite des Deckblatts und der folgenden Anlage mit insgesamt 5 Seiten.

Registrierungsnummer der Urkunde: **D-PL-19704-01-00**

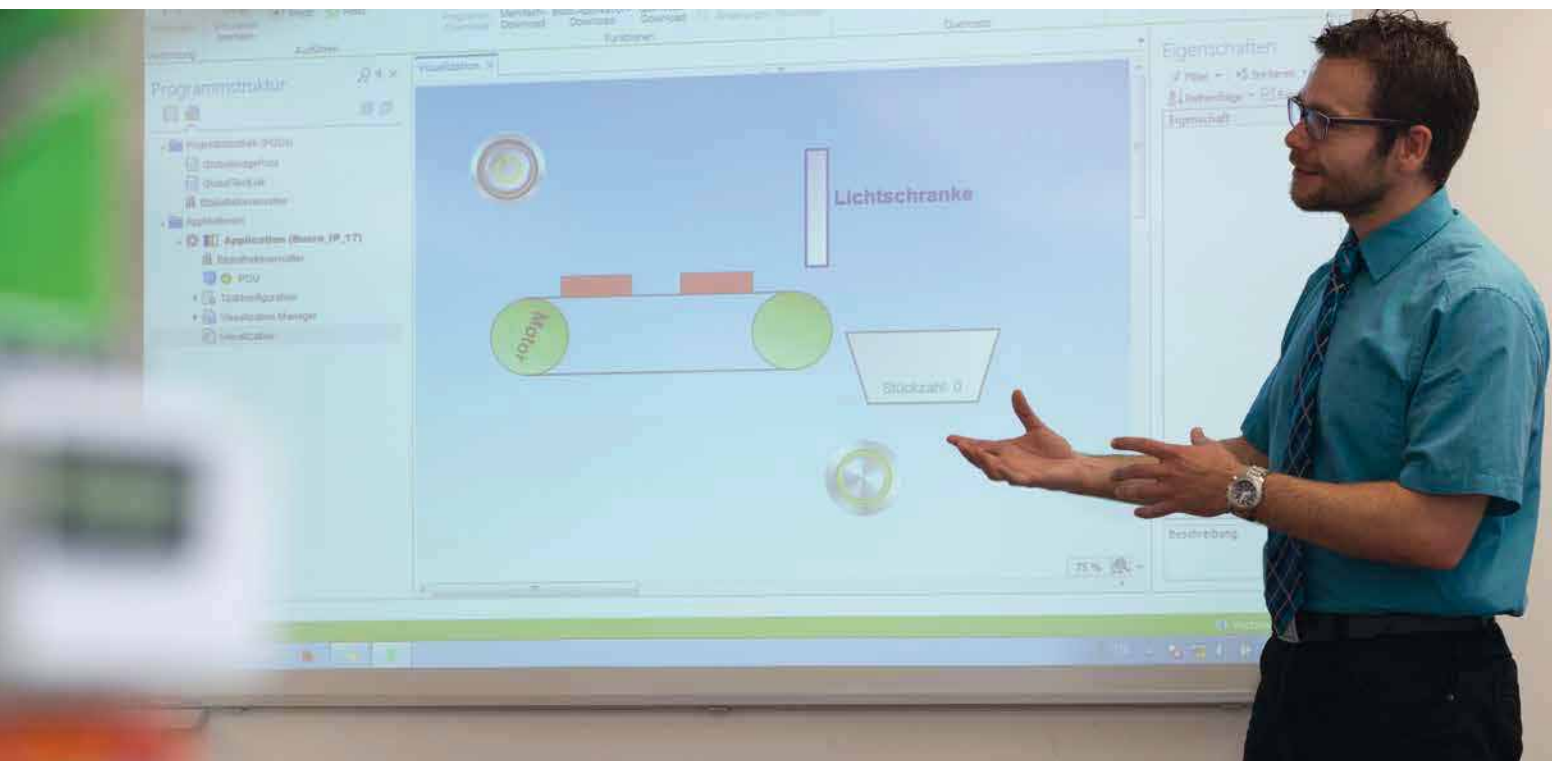
Frankfurt am Main, 18.12.2014

Siehe Hinweise auf der Rückseite

  
Im Auftrag Dipl.-Ing. (FH) Ralf Egner  
Abteilungsleiter

## WAGO-Seminars

### Learn Today – Benefit Tomorrow



## Setting the Bar with Your Goals

### Product-Related and Customer-Specific Seminars



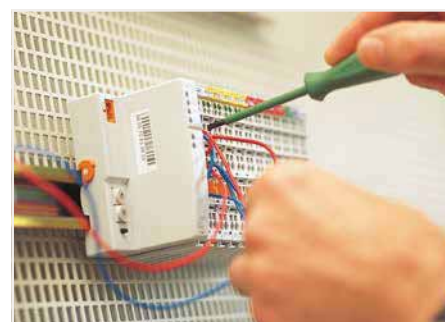
#### Small Groups

The small class sizes of WAGO training seminars ensures that no question goes unanswered and no one is overlooked.



#### Teamwork

Learning as a group is very effective. Ideas can be discussed and exchanged while experiences can be shared – all for the benefit of the participants.



#### Practical Topics

Experience has shown that practice makes perfect. This is why the focus of every WAGO training seminar is on practical, hands-on learning.

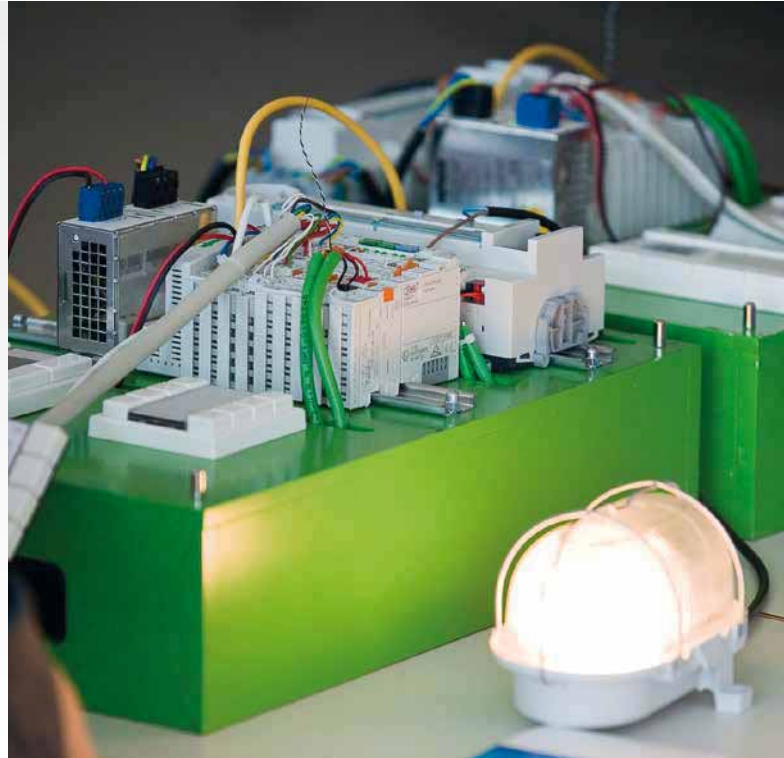
## WAGO-Seminars

Experience the Benefits of First-Hand Knowledge and Expertise – Straight from the Source

Our instructors are specialists who know all the ins and outs of WAGO's products. This ensures that the time devoted to each WAGO training seminar is an effective investment in expanding your own expertise.

Request your registration form by email:  
[training@wago.com](mailto:training@wago.com)

Contact your local  
 WAGO office.



### Product-Related Seminars

We regularly offer product-related seminars on the following topics:

- Building and industrial automation
- Programming of automation components
- Fieldbus systems

Current Seminars at:  
[www.wago.com](http://www.wago.com)

### Customer-Specific Training Seminars

In addition to these "open" seminars, we also offer seminars specially tailored to your organization and its particular needs.

Upon request, we can also conduct these courses at your location.

Special  
 Corporate Seminars



# Index and Addresses

# Index Addresses

	Page
Product Index	908
Item Number Index	910
WAGO Worldwide	936

# Product Index

Item	Page	Item	Page	Item	Page
<b>A</b>					
"Alu-Plus" contact paste	851				
Angled female connectors					
see <i>MULTI CONNECTION SYSTEM (MCS)</i> , 100 %					
protected against mismatching,					
Classic/Standard version	552				
Approvals	900				
<b>B</b>					
Bus coupler units, for EIB/KNX applications	817				
<b>C</b>					
Cable cutter	850				
CE marking	858				
Coding keys	342				
Combi PCB terminal blocks	763				
Combi strips	360				
Comb-style jumper bars	543				
Commoning strips, for PCB terminal strips	248				
Compact PCB connectors	763				
Connectors					
- wire-tap branch; 3- and 6-pole (elevator shaft					
technology)	806				
- for EIB/KNX applications	817				
Crimping tools for ferrules	864				
Current-carrying capacity curves					
- PCB terminal blocks	18				
- <i>MULTI CONNECTION SYSTEM</i>	325				
<b>D</b>					
Derating curves					
see "Current-carrying capacity curves"					
<i>MULTI CONNECTION SYSTEM (MCS)</i>					
Direct marking					
- MICRO	340				
- MINI	402				
- MIDI	526				
- MAXI	752				
Disconnection tool	840				
Double-deck terminal strips, for PCBs	56				
Double-pin male connectors					
see <i>MULTI CONNECTION SYSTEM MIDI</i>					
<b>E</b>					
Electrical tests, environmental tests,					
mechanical tests, material tests	883				
<b>F</b>					
Felt-tip pen	830				
Female connectors, see <i>MULTI CONNECTION</i>					
<i>SYSTEM</i>					
FIT CLAMP® connection					
(IDC)	206				
Feedthrough terminal strips					
- for PCBs	786				
with threaded flanges					
- MINI	349				
- MIDI	604				
in tape-and-reel packaging (THR)					
- GDS	257				
- MCS	347				
<b>H</b>					
High-current connectors	737				
High-current PCB terminal blocks	145				
<b>I</b>					
IEC/EN specifications	860				
Insulation displacement (FIT CLAMP®)					
connection	206				
Insulation stops	537				
<b>L</b>					
Lockout caps	537				
Loss of pin spacing	549				
<b>M</b>					
Male headers for double-deck assembly,					
<i>MULTI CONNECTION SYSTEM (MCS)</i>	579				
Male connectors/headers					
<i>MULTI CONNECTION SYSTEM</i>	333				
Marking					
Marking accessories	832				
Marking cards					
- (Mini-WSB cards) for miniature WAGO Quick Mark-					
ing System					
- Self-adhesive strips, computer marked					
- (WMB cards) for WAGO Multi-Marking System					
- (WSB cards) for WAGO Quick Marking System	830				
Marking strips, self-adhesive	832				
Material specifications, for insulation materials,					
contact materials,					
contact plating	888				
Mini-WSB Quick Marking System					
(marking cards)	830				
Modular terminal blocks and terminal strips					
see "Terminal blocks and terminal strips"					
see "PCB terminal blocks"					
Mounting flange, <i>MCS MIDI</i>					
100 % protected against mismatching					
- 5 mm	550				
- 5.08 mm	605				
- 7.5 mm	641				
- 7.62 mm	685				
Mounting flange, <i>MCS MIDI Classic</i>					
- 5/5.08 mm	396				
- 7.5/7.62 mm	455				
Mounting flange, <i>MCS MINI</i>					
- 3.5 mm	354				
- 3.81 mm	383				
Multilevel PCB terminal strips,					
Double-, triple-, quadruple-deck terminal blocks	56				
Modular PCB connectors	763				
<i>MULTI CONNECTION SYSTEM MICRO</i> ,					
100 % protected against mismatching, pin spacing:					
- 2.5 mm	325				
- 2.5 mm (reflow soldering)	336				
<i>MULTI CONNECTION SYSTEM MIDI</i> ,					
Pin spacing:					
- 5 mm	548				
- 5.08 mm	602				
- 7.5 mm	640				
- 7.62 mm	684				
<i>MULTI CONNECTION SYSTEM MINI</i> ,					
100 % protected against mismatching, pin spacing:					
- 3.5 mm	348				
- 3.5 mm (reflow soldering)	374				
- 3.81 mm	384				
- 3.81 mm (reflow soldering)	398				
- MINI HD	413				
- MINI SL	437				
<i>MULTI CONNECTION SYSTEM-MIDI, accessories</i>	534				
<b>O</b>					
Operating levers	342				
Operating stickers	835				
Operating tools	838				
<b>P</b>					
PCB panel feedthrough headers					
see <i>MULTI CONNECTION SYSTEM (MCS)</i>					
Plugs for elevator shaft technology	806				
PUSH WIRE® connection	204				
<b>Q</b>					
Quadruple-deck terminal blocks, for PCBs	72				
<b>R</b>					
Reel (THR)					
- GDS	257				
- MCS	347				
Reflow soldering: PCB terminal blocks	257				
<b>S</b>					
Sales regions, worldwide	936				
Screwdrivers					
see "Operating tools"					
Screw-type flanges					
- MINI	349				
- MIDI	604				
Separators	342				
SMD PCB terminal blocks	291				
Snap-in mounting feet, <i>MCS MIDI Classic</i>					
- 5 mm	551				
- 5.08 mm	607				
- 7.5 mm	642				
- 7.62 mm	686				
Snap-in mounting feet, <i>MCS MIDI</i> , 100 % protected					
against mismatching					
- 5 mm	470				
- 7.5 mm	510				
Solder pin strips	763				
Specifications UL – Underwriters Laboratories,					
USA					
- Tests and test procedures per UL standards	882				
Strain relief housings					
for <i>MCS MINI</i>	410				
for <i>MCS MIDI</i>	540				
Strain relief plates					
for female and male connectors with CAGE CLAMP®					
connection for <i>MCS MICRO</i>	343				
for <i>MCS MINI</i>	409				
for <i>MCS MIDI</i>	538				
<b>T</b>					
Technical information					
General	857				
Terminal block marking	830				
Terminal blocks for PCBs	18				
Terminal strips for PCBs					
with locking slides,	84				
double-deck,	56				
triple-deck,	64				
quadruple-deck,	72				
for reflow soldering,	257				
with finger-operated levers,	108				
1-conductor,	18				
2-conductor	204				
Test and disconnect terminal blocks					
see "Disconnect and test terminal blocks"					
Test plug adapter for <i>MCS MIDI</i>	535				
Test plug modules with					
CAGE CLAMP® connection	253				
Test pin	854				
Tests and testing procedures	862				
Triple-deck terminal strips, for PCBs	64				
<b>U</b>					
UL Specifications – Underwriters Laboratories,					
USA	882				
<b>V</b>					
Voltage tester	852				
<b>W</b>					
WAGO					
- worldwide	936				
Wire-tap branch connectors					
(e.g., for elevator shaft technology)	806				
WMB Multi Marking System	830				
WSB Quick Marking System	830				

Item	Page	Item	Page	Item	Page





Item No.	Page	Item No.	Page	Item No.	Page	Item No.	Page
<b>231 Series</b>		<b>231 Series</b>		<b>231 Series</b>		<b>231 Series</b>	
231-111/031-000	550	231-125	254	231-166/003-000	601	231-210/031-000	641
231-111/037-000	550	231-126	254	231-166/040-000	582	231-210/037-000	641
231-111/102-000	549	231-127	254	231-167/001-000	581	231-211/008-000	642
231-112/008-000	551	231-128	254	231-167/001-000/105-604	592	231-211/026-000	641
231-112/026-000	549	231-129	536	231-167/001-000/105-604/997-407	592	231-211/027-000	642
231-112/027-000	550	231-130	536	231-167/003-000	601	231-211/031-000	641
231-112/031-000	550	231-131	534	231-168/001-000	581	231-211/037-000	641
231-112/037-000	550	231-132/001-000	575	231-168/001-000/105-604	592	231-212/008-000	642
231-112/102-000	549	231-132/001-000/105-604	588	231-168/001-000/105-604/997-407	592	231-212/026-000	641
231-113/008-000	551	231-132/001-000/105-604/997-405	588	231-168/003-000	601	231-212/027-000	642
231-113/026-000	549	231-132/040-000	576	231-169/001-000	581	231-212/031-000	641
231-113/027-000	550	231-133/001-000	575	231-169/001-000/105-604	592	231-212/037-000	641
231-113/031-000	550	231-133/001-000/105-604	588	231-169/001-000/105-604/997-409	592	231-213/008-000	642
231-113/037-000	550	231-133/001-000/105-604/997-405	588	231-169/003-000	601	231-213/026-000	641
231-113/102-000	549	231-133/040-000	576	231-170/001-000	581	231-213/027-000	642
231-114/008-000	551	231-134/001-000	575	231-170/001-000/105-604	592	231-213/031-000	641
231-114/026-000	549	231-134/001-000/105-604	588	231-170/001-000/105-604/997-409	592	231-213/037-000	641
231-114/027-000	550	231-134/001-000/105-604/997-407	588	231-170/003-000	601	231-216/008-000	642
231-114/031-000	550	231-135/001-000	575	231-171/001-000	581	231-216/026-000	641
231-114/037-000	550	231-135/001-000/105-604	588	231-171/001-000/105-604	592	231-216/027-000	642
231-114/102-000	549	231-135/001-000/105-604/997-407	588	231-171/003-000	601	231-216/031-000	641
231-115/008-000	551	231-135/040-000	576	231-172/001-000	581	231-216/037-000	641
231-115/026-000	549	231-136/001-000	575	231-172/001-000/105-604	592	231-231	534
231-115/027-000	550	231-136/001-000/105-604	588	231-172/001-000/105-604/997-409	592	231-232/001-000	667
231-115/031-000	550	231-136/001-000/105-604/997-407	588	231-172/003-000	601	231-232/001-000/105-604	676
231-115/037-000	550	231-136/040-000	576	231-173/001-000	581	231-232/001-000/105-604/997-405	676
231-115/102-000	549	231-137/001-000	575	231-174/001-000	581	231-233/001-000	667
231-116/008-000	551	231-137/001-000/105-604	588	231-174/001-000/105-604	592	231-233/001-000/105-604	676
231-116/026-000	549	231-138/001-000	575	231-174/040-000	582	231-233/001-000/105-604/997-407	676
231-116/027-000	550	231-138/001-000/105-604	588	231-175/001-000	581	231-234/001-000	667
231-116/031-000	550	231-138/001-000/105-604/997-407	588	231-176/001-000	581	231-234/001-000/105-604	676
231-116/037-000	550	231-139/001-000	575	231-177/001-000	581	231-234/001-000/105-604/997-407	676
231-116/102-000	549	231-139/001-000/105-604	588	231-178/001-000	581	231-235/001-000	667
231-117/008-000	551	231-139/001-000/105-604/997-409	588	231-179/001-000	581	231-235/001-000/105-604	676
231-117/026-000	549	231-140/001-000	575	231-180/001-000	581	231-235/001-000/105-604/997-407	676
231-117/027-000	550	231-140/001-000/105-604	588	231-181/001-000	581	231-236/001-000	667
231-117/031-000	550	231-140/001-000/105-604/997-409	588	231-182/001-000	581	231-236/001-000/105-604	676
231-117/037-000	550	231-141/001-000	575	231-183/001-000	581	231-236/001-000/105-604/997-409	676
231-117/102-000	549	231-141/001-000/105-604	588	231-184/001-000	581	231-237/001-000	667
231-118/008-000	551	231-141/001-000/105-604/997-409	588	231-193	537	231-237/001-000/105-604	676
231-118/026-000	549	231-142/001-000	575	231-194	542	231-237/001-000/105-604/997-409	676
231-118/027-000	550	231-142/001-000/105-604	588	231-195	537	231-238/001-000	667
231-118/031-000	550	231-142/001-000/105-604/997-409	588	231-202/008-000	642	231-238/001-000/105-604	676
231-118/037-000	550	231-143/001-000	575	231-202/026-000	641	231-238/001-000/105-604/997-409	676
231-118/102-000	549	231-144/001-000	575	231-202/031-000	641	231-239/001-000	667
231-119/008-000	551	231-144/040-000	576	231-202/037-000	641	231-239/001-000/105-604	676
231-119/026-000	549	231-145/001-000	575	231-203/008-000	642	231-239/001-000/105-604/997-409	676
231-119/027-000	550	231-147/001-000	575	231-203/026-000	641	231-240/001-000	667
231-119/031-000	550	231-148/001-000	575	231-203/031-000	641	231-240/001-000/105-604	676
231-119/037-000	550	231-149/001-000	575	231-203/037-000	641	231-240/040-000	668
231-119/102-000	549	231-150/001-000	575	231-204/008-000	642	231-241/001-000	667
231-120/008-000	551	231-151/001-000	575	231-204/026-000	641	231-241/001-000/105-604	676
231-120/026-000	549	231-152/001-000	575	231-204/031-000	641	231-242/001-000	667
231-120/027-000	550	231-153/001-000	575	231-204/037-000	641	231-242/001-000/105-604	676
231-120/031-000	550	231-154/001-000	575	231-205/008-000	642	231-243/001-000	667
231-120/037-000	550	231-155	255	231-205/026-000	641	231-246/001-000	667
231-120/102-000	549	231-159	534	231-205/031-000	641	231-262/001-000	671
231-121/008-000	551	231-160	536	231-205/037-000	641	231-262/001-000/105-604	680
231-121/026-000	549	231-161	254	231-206/008-000	642	231-262/001-000/105-604/997-405	680
231-121/027-000	550	231-162/001-000	581	231-206/026-000	641	231-263/001-000	671
231-121/031-000	550	231-162/001-000/105-604	592	231-206/027-000	642	231-263/001-000/105-604	680
231-121/037-000	550	231-162/001-000/105-604/997-405	592	231-206/031-000	641	231-263/001-000/105-604/997-407	680
231-121/102-000	549	231-162/003-000	601	231-206/037-000	641	231-264/001-000	671
231-122/008-000	551	231-162/040-000	582	231-207/008-000	642	231-264/001-000/105-604	680
231-122/026-000	549	231-163/001-000	581	231-207/026-000	641	231-264/001-000/105-604/997-407	680
231-122/027-000	550	231-163/001-000/105-604	592	231-207/027-000	642	231-265/001-000	671
231-122/031-000	550	231-163/001-000/105-604/997-405	592	231-207/031-000	641	231-265/001-000/105-604	680
231-122/037-000	550	231-163/003-000	601	231-207/037-000	641	231-265/001-000/105-604/997-407	680
231-122/102-000	549	231-163/040-000	582	231-208/008-000	642	231-266/001-000	671
231-123/008-000	551	231-164/001-000	581	231-208/026-000	641	231-266/001-000/105-604	680
231-123/026-000	549	231-164/001-000/105-604	592	231-208/027-000	642	231-266/001-000/105-604/997-409	680
231-123/027-000	550	231-164/001-000/105-604/997-407	592	231-208/031-000	641	231-267/001-000	671
231-123/031-000	550	231-164/003-000	601	231-208/037-000	641	231-267/001-000/105-604	680
231-123/037-000	550	231-165/001-000	581	231-209/008-000	642	231-267/001-000/105-604/997-409	680
231-123/102-000	549	231-165/001-000/105-604	592	231-209/026-000	641	231-268/001-000	671
231-124/008-000	551	231-165/001-000/105-604/997-407	592	231-209/027-000	642	231-268/001-000/105-604	680
231-124/026-000	549	231-165/003-000	601	231-209/031-000	641	231-268/001-000/105-604/997-409	680
231-124/027-000	550	231-165/040-000	582	231-209/037-000	641	231-269/001-000	671
231-124/031-000	550	231-166/001-000	581	231-210/008-000	642	231-269/001-000/105-604	680
231-124/037-000	550	231-166/001-000/105-604	592	231-210/026-000	641	231-269/001-000/105-604/997-409	680
231-124/102-000	549	231-166/001-000/105-604/997-407	592	231-210/027-000	642	231-270/001-000	671

## Item Number Index

Item No.	Page	Item No.	Page	Item No.	Page	Item No.	Page
<b>231 Series</b>		<b>231 Series</b>		<b>231 Series</b>		<b>231 Series</b>	
231-270/001-000/105-604	680	231-312/102-000	603	231-334/001-000	629	231-435/001-000/105-604	587
231-270/040-000	672	231-312/107-000	604	231-334/108-000	630	231-435/040-000	575
231-271/001-000	671	231-313/008-000	607	231-335/001-000	629	231-436/001-000	575
231-271/001-000/105-604	680	231-313/026-000	603	231-335/108-000	630	231-436/001-000/105-604	587
231-272/001-000	671	231-313/027-000	606	231-336/001-000	629	231-436/001-000/105-604/997-407	587
231-272/001-000/105-604	680	231-313/031-000	605	231-336/108-000	630	231-436/040-000	575
231-273/001-000	671	231-313/037-000	604	231-337/001-000	629	231-437/001-000	575
231-276/001-000	671	231-313/102-000	603	231-337/108-000	630	231-437/001-000/105-604/997-407	587
231-291	534	231-314/008-000	607	231-338/001-000	629	231-438/001-000	575
231-295	837	231-314/026-000	603	231-338/108-000	630	231-438/001-000/105-604	587
231-300	254	231-314/027-000	606	231-339/001-000	629	231-438/001-000/105-604/997-407	587
231-302/008-000	607	231-314/031-000	605	231-339/108-000	630	231-439/001-000	575
231-302/026-000	603	231-314/037-000	604	231-340/001-000	629	231-439/001-000/105-604	587
231-302/031-000	605	231-314/102-000	603	231-340/108-000	630	231-439/001-000/105-604/997-409	587
231-302/037-000	604	231-314/107-000	604	231-341/001-000	629	231-440/001-000	575
231-302/102-000	603	231-315/008-000	607	231-342/001-000	629	231-440/001-000/105-604	587
231-302/107-000	604	231-315/026-000	603	231-342/108-000	630	231-440/001-000/105-604/997-409	587
231-303/008-000	607	231-315/027-000	606	231-343/001-000	629	231-441/001-000	575
231-303/026-000	603	231-315/031-000	605	231-344/001-000	629	231-441/001-000/105-604	587
231-303/031-000	605	231-315/037-000	604	231-344/108-000	630	231-441/001-000/105-604/997-409	587
231-303/037-000	604	231-315/102-000	603	231-345/001-000	629	231-442/001-000	575
231-303/102-000	603	231-315/107-000	604	231-345/108-000	630	231-442/001-000/105-604	587
231-303/107-000	604	231-316/008-000	607	231-346/001-000	629	231-442/001-000/105-604/997-409	587
231-304/008-000	607	231-316/026-000	603	231-346/108-000	630	231-443/001-000	575
231-304/026-000	603	231-316/027-000	606	231-347/001-000	629	231-444/001-000	575
231-304/031-000	605	231-316/031-000	605	231-348/001-000	629	231-444/040-000	575
231-304/037-000	604	231-316/037-000	604	231-349/001-000	629	231-445/001-000	575
231-304/102-000	603	231-316/102-000	603	231-350/001-000	629	231-446/001-000	575
231-304/107-000	604	231-316/107-000	604	231-351/001-000	629	231-447/001-000	575
231-305/008-000	607	231-317/008-000	607	231-352/001-000	629	231-448/001-000	575
231-305/026-000	603	231-317/026-000	603	231-353/001-000	629	231-449/001-000	575
231-305/031-000	605	231-317/027-000	606	231-354/001-000	629	231-450/001-000	575
231-305/037-000	604	231-317/031-000	605	231-362/001-000	635	231-451/001-000	575
231-305/102-000	603	231-317/037-000	604	231-362/108-000	636	231-452/001-000	575
231-305/107-000	604	231-317/102-000	603	231-363/001-000	635	231-453/001-000	575
231-306/008-000	607	231-318/008-000	607	231-363/108-000	636	231-454/001-000	575
231-306/026-000	603	231-318/026-000	603	231-364/001-000	635	231-455	255
231-306/027-000	606	231-318/027-000	606	231-364/108-000	636	231-456	255
231-306/031-000	605	231-318/031-000	605	231-365/001-000	635	231-462/001-000	581
231-306/037-000	604	231-318/037-000	604	231-365/108-000	636	231-462/001-000/105-604	591
231-306/102-000	603	231-318/102-000	603	231-366/001-000	635	231-462/001-000/105-604/997-405	591
231-306/107-000	604	231-319/008-000	607	231-366/108-000	636	231-462/040-000	581
231-307/008-000	607	231-319/026-000	603	231-367/001-000	635	231-463/001-000	581
231-307/026-000	603	231-319/027-000	606	231-367/108-000	636	231-463/001-000/105-604	591
231-307/027-000	606	231-319/031-000	605	231-368/001-000	635	231-463/001-000/105-604/997-405	591
231-307/031-000	605	231-319/037-000	604	231-368/108-000	636	231-463/040-000	581
231-307/037-000	604	231-319/102-000	603	231-369/001-000	635	231-464/001-000	581
231-307/102-000	603	231-320/008-000	607	231-369/108-000	636	231-464/001-000/105-604	591
231-307/107-000	604	231-320/026-000	603	231-370/001-000	635	231-464/001-000/105-604/997-407	591
231-308/008-000	607	231-320/027-000	606	231-370/108-000	636	231-465/001-000	581
231-308/026-000	603	231-320/031-000	605	231-371/001-000	635	231-465/001-000/105-604	591
231-308/027-000	606	231-320/037-000	604	231-372/001-000	635	231-465/001-000/105-604/997-407	591
231-308/031-000	605	231-320/102-000	603	231-372/108-000	636	231-465/040-000	581
231-308/037-000	604	231-321/008-000	607	231-373/001-000	635	231-466/001-000	581
231-308/102-000	603	231-321/026-000	603	231-374/001-000	635	231-466/001-000/105-604	591
231-308/107-000	604	231-321/027-000	606	231-374/108-000	636	231-466/001-000/105-604/997-407	591
231-309/008-000	607	231-321/031-000	605	231-375/001-000	635	231-466/040-000	581
231-309/026-000	603	231-321/037-000	604	231-375/108-000	636	231-467/001-000	581
231-309/027-000	606	231-321/102-000	603	231-376/001-000	635	231-467/001-000/105-604	591
231-309/031-000	605	231-322/008-000	607	231-376/108-000	636	231-467/001-000/105-604/997-407	591
231-309/037-000	604	231-322/026-000	603	231-377/001-000	635	231-468/001-000	581
231-309/102-000	603	231-322/027-000	606	231-378/001-000	635	231-468/001-000/105-604	591
231-309/107-000	604	231-322/031-000	605	231-379/001-000	635	231-468/001-000/105-604/997-407	591
231-310/008-000	607	231-322/037-000	604	231-380/001-000	635	231-469/001-000	581
231-310/026-000	603	231-322/102-000	603	231-381/001-000	635	231-469/001-000/105-604	591
231-310/027-000	606	231-323/008-000	607	231-382/001-000	635	231-469/001-000/105-604/997-409	591
231-310/031-000	605	231-323/026-000	603	231-383/001-000	635	231-470/001-000	581
231-310/037-000	604	231-323/027-000	606	231-384/001-000	635	231-470/001-000/105-604	591
231-310/102-000	603	231-323/031-000	605	231-393	537	231-470/001-000/105-604/997-409	591
231-310/107-000	604	231-323/037-000	604	231-426	254	231-471/001-000	581
231-311/008-000	607	231-323/102-000	603	231-432/001-000	575	231-471/001-000/105-604	591
231-311/026-000	603	231-324/008-000	607	231-432/001-000/105-604	587	231-471/001-000/105-604/997-409	591
231-311/027-000	606	231-324/026-000	603	231-432/001-000/105-604/997-405	587	231-472/001-000	581
231-311/031-000	605	231-324/027-000	606	231-432/040-000	575	231-472/001-000/105-604	591
231-311/037-000	604	231-324/031-000	605	231-433/001-000	575	231-472/001-000/105-604/997-409	591
231-311/102-000	603	231-324/037-000	604	231-433/001-000/105-604	587	231-473/001-000	581
231-312/008-000	607	231-324/102-000	603	231-433/001-000/105-604/997-405	587	231-474/001-000	581
231-312/026-000	603	231-332/001-000	629	231-433/040-000	575	231-474/040-000	581
231-312/027-000	606	231-332/108-000	630	231-434/001-000	575	231-475/001-000	581
231-312/031-000	605	231-333/001-000	629	231-434/001-000/105-604	587	231-476/001-000	581
231-312/037-000	604	231-333/108-000	630	231-434/001-000/105-604/997-407	587	231-477/001-000	581

Item No.	Page	Item No.	Page	Item No.	Page	Item No.	Page
<b>231 Series</b>		<b>231 Series</b>		<b>231 Series</b>		<b>231 Series</b>	
231-478/001-000	581	231-602/017-000	797	231-617	565	231-638/017-000	799
231-479/001-000	581	231-602/018-000	567	231-617/018-000	567	231-638/018-000	621
231-480/001-000	581	231-602/019-000	565	231-617/019-000	565	231-638/019-000	619
231-481/001-000	581	231-602/023-000	797	231-617/114-000	566	231-638/023-000	799
231-482/001-000	581	231-602/114-000	566	231-618	565	231-638/109-000	619
231-483/001-000	581	231-603	565	231-618/018-000	567	231-638/114-000	620
231-484/001-000	581	231-603/017-000	797	231-618/019-000	565	231-638/129-000	621
231-500	536	231-603/018-000	567	231-618/114-000	566	231-639	619
231-532/001-000	629	231-603/019-000	565	231-619	565	231-639/017-000	799
231-532/108-000	629	231-603/023-000	797	231-619/018-000	567	231-639/018-000	621
231-533/001-000	629	231-603/114-000	566	231-619/019-000	565	231-639/019-000	619
231-533/108-000	629	231-604	565	231-619/114-000	566	231-639/023-000	799
231-534/001-000	629	231-604/017-000	797	231-620	565	231-639/109-000	619
231-534/108-000	629	231-604/018-000	567	231-620/018-000	567	231-639/114-000	620
231-535/001-000	629	231-604/019-000	565	231-620/019-000	565	231-639/129-000	621
231-535/108-000	629	231-604/023-000	797	231-620/114-000	566	231-640	619
231-536/001-000	629	231-604/114-000	566	231-621	565	231-640/017-000	799
231-536/108-000	629	231-605	565	231-621/018-000	567	231-640/018-000	621
231-537/001-000	629	231-605/017-000	797	231-621/019-000	565	231-640/019-000	619
231-537/108-000	629	231-605/018-000	567	231-621/114-000	566	231-640/023-000	799
231-538/001-000	629	231-605/019-000	565	231-622	565	231-640/109-000	619
231-538/108-000	629	231-605/023-000	797	231-622/018-000	567	231-640/114-000	620
231-539/001-000	629	231-605/114-000	566	231-622/019-000	565	231-640/129-000	621
231-539/108-000	629	231-606	565	231-622/114-000	566	231-641	619
231-540/001-000	629	231-606/017-000	797	231-623	565	231-641/017-000	799
231-540/108-000	629	231-606/018-000	567	231-623/018-000	567	231-641/018-000	621
231-541/001-000	629	231-606/019-000	565	231-623/019-000	565	231-641/019-000	619
231-542/001-000	629	231-606/023-000	797	231-623/114-000	566	231-641/023-000	799
231-542/108-000	629	231-606/114-000	566	231-624	565	231-641/114-000	620
231-543/001-000	629	231-607	565	231-624/018-000	567	231-642	619
231-544/001-000	629	231-607/017-000	797	231-624/019-000	565	231-642/017-000	799
231-544/108-000	629	231-607/018-000	567	231-624/114-000	566	231-642/018-000	621
231-545/001-000	629	231-607/019-000	565	231-632	619	231-642/019-000	619
231-545/108-000	629	231-607/023-000	797	231-632/017-000	799	231-642/023-000	799
231-546/001-000	629	231-607/114-000	566	231-632/018-000	621	231-642/109-000	619
231-546/108-000	629	231-608	565	231-632/019-000	619	231-642/114-000	620
231-547/001-000	629	231-608/017-000	797	231-632/023-000	799	231-642/129-000	621
231-548/001-000	629	231-608/018-000	567	231-632/109-000	619	231-643	619
231-549/001-000	629	231-608/019-000	565	231-632/114-000	620	231-643/018-000	621
231-550/001-000	629	231-608/023-000	797	231-632/129-000	621	231-643/019-000	619
231-551/001-000	629	231-608/114-000	566	231-633	619	231-643/114-000	620
231-552/001-000	629	231-609	565	231-633/017-000	799	231-644	619
231-553/001-000	629	231-609/017-000	797	231-633/018-000	621	231-644/018-000	621
231-554/001-000	629	231-609/018-000	567	231-633/019-000	619	231-644/019-000	619
231-552/001-000	629	231-609/019-000	565	231-633/023-000	799	231-644/109-000	619
231-553/001-000	629	231-609/023-000	797	231-633/109-000	619	231-644/114-000	620
231-554/001-000	629	231-609/114-000	566	231-633/114-000	620	231-644/129-000	621
231-562/001-000	635	231-610	565	231-633/129-000	621	231-645	619
231-562/108-000	635	231-610/017-000	797	231-634	619	231-645/018-000	621
231-563/001-000	635	231-610/018-000	567	231-634/017-000	799	231-645/019-000	619
231-563/108-000	635	231-610/019-000	565	231-634/018-000	621	231-645/109-000	619
231-564/001-000	635	231-610/023-000	797	231-634/019-000	619	231-645/114-000	620
231-564/108-000	635	231-610/114-000	566	231-634/023-000	799	231-645/129-000	621
231-565/001-000	635	231-611	565	231-634/109-000	619	231-646	619
231-565/108-000	635	231-611/017-000	797	231-634/114-000	620	231-646/018-000	621
231-566/001-000	635	231-611/018-000	567	231-634/129-000	621	231-646/019-000	619
231-566/108-000	635	231-611/019-000	565	231-635	619	231-646/109-000	619
231-567/001-000	635	231-611/023-000	797	231-635/017-000	799	231-646/114-000	620
231-567/108-000	635	231-611/114-000	566	231-635/018-000	621	231-646/129-000	621
231-568/001-000	635	231-612	565	231-635/019-000	619	231-647	619
231-568/108-000	635	231-612/017-000	797	231-635/023-000	799	231-647/018-000	621
231-569/001-000	635	231-612/018-000	567	231-635/109-000	619	231-647/019-000	619
231-569/108-000	635	231-612/019-000	565	231-635/114-000	620	231-647/114-000	620
231-570/001-000	635	231-612/023-000	797	231-635/129-000	621	231-648	619
231-570/108-000	635	231-612/114-000	566	231-636	619	231-648/018-000	621
231-571/001-000	635	231-613	565	231-636/017-000	799	231-648/019-000	619
231-571/108-000	635	231-613/018-000	567	231-636/018-000	621	231-648/114-000	620
231-572/001-000	635	231-613/019-000	565	231-636/019-000	619	231-649	619
231-572/108-000	635	231-613/114-000	566	231-636/023-000	799	231-649/018-000	621
231-573/001-000	635	231-614	565	231-636/109-000	619	231-649/019-000	619
231-574/001-000	635	231-614/018-000	567	231-636/114-000	620	231-649/114-000	620
231-574/108-000	635	231-614/019-000	565	231-636/129-000	621	231-650	619
231-575/001-000	635	231-614/114-000	566	231-637	619	231-650/018-000	621
231-575/108-000	635	231-615	565	231-637/017-000	799	231-650/019-000	619
231-576/001-000	635	231-615/018-000	567	231-637/018-000	621	231-650/114-000	620
231-576/108-000	635	231-615/019-000	565	231-637/019-000	619	231-651	619
231-577/001-000	635	231-615/114-000	566	231-637/023-000	799	231-651/018-000	621
231-578/001-000	635	231-616	565	231-637/109-000	619	231-651/019-000	619
231-579/001-000	635	231-616/018-000	567	231-637/114-000	620	231-651/114-000	620
231-580/001-000	635	231-616/019-000	565	231-637/129-000	621	231-652	619
231-581/001-000	635	231-616/114-000	566	231-638	619	231-652/018-000	621
231-582/001-000	635						
231-583/001-000	635						
231-584/001-000	635						
231-602	565						

## Item Number Index

Item No.	Page	Item No.	Page	Item No.	Page	Item No.	Page
<b>231 Series</b>		<b>231 Series</b>		<b>231 Series</b>		<b>231 Series</b>	
231-652/019-000	619	231-762/001-000	709	231-910	543	231-2304/026-000	611
231-652/114-000	620	231-763/001-000	709	231-932/001-000	707	231-2304/037-000	611
231-653	619	231-764/001-000	709	231-933/001-000	707	231-2304/107-000	611
231-653/018-000	621	231-765/001-000	709	231-934/001-000	707	231-2305/026-000	611
231-653/019-000	619	231-766/001-000	709	231-935/001-000	707	231-2305/037-000	611
231-653/114-000	620	231-767/001-000	709	231-936/001-000	707	231-2305/107-000	611
231-654	619	231-768/001-000	709	231-937/001-000	707	231-2306/026-000	611
231-654/018-000	621	231-769/001-000	709	231-938/001-000	707	231-2306/037-000	611
231-654/019-000	619	231-770/001-000	709	231-939/001-000	707	231-2306/107-000	611
231-654/114-000	620	231-771/001-000	709	231-940/001-000	707	231-2307/026-000	611
231-661	535	231-772/001-000	709	231-941/001-000	707	231-2307/037-000	611
231-662	535	231-832/001-000	667	231-942/001-000	707	231-2307/107-000	611
231-668	537	231-832/001-000/105-604	675	231-962/001-000	709	231-2308/026-000	611
231-669	537	231-832/001-000/105-604/997-405	675	231-963/001-000	709	231-2308/037-000	611
231-670	537	231-833/001-000	667	231-964/001-000	709	231-2308/107-000	611
231-671	537	231-833/001-000/105-604	675	231-965/001-000	709	231-2309/026-000	611
231-672	537	231-833/001-000/105-604/997-407	675	231-966/001-000	709	231-2309/037-000	611
231-673	537	231-834/001-000	667	231-967/001-000	709	231-2309/107-000	611
231-675	537	231-834/001-000/105-604	675	231-968/001-000	709	231-2310/026-000	611
231-702/008-000	686	231-834/001-000/105-604/997-407	675	231-969/001-000	709	231-2310/037-000	611
231-702/026-000	685	231-835/001-000	667	231-970/001-000	709	231-2310/107-000	611
231-702/031-000	685	231-835/001-000/105-604	675	231-971/001-000	709	231-2311/026-000	611
231-702/037-000	685	231-835/001-000/105-604/997-407	675	231-972/001-000	709	231-2311/037-000	611
231-703/008-000	686	231-836/001-000	667	231-2102/026-000	559	231-2312/026-000	611
231-703/026-000	685	231-836/001-000/105-604	675	231-2102/037-000	559	231-2312/037-000	611
231-703/031-000	685	231-836/001-000/105-604/997-409	675	231-2103/026-000	559	231-2312/107-000	611
231-703/037-000	685	231-837/001-000	667	231-2103/037-000	559	231-2313/026-000	611
231-704/008-000	686	231-837/001-000/105-604	675	231-2104/026-000	559	231-2313/037-000	611
231-704/026-000	685	231-837/001-000/105-604/997-409	675	231-2104/037-000	559	231-2314/026-000	611
231-704/031-000	685	231-838/001-000	667	231-2105/026-000	559	231-2314/037-000	611
231-704/037-000	685	231-838/001-000/105-604	675	231-2105/037-000	559	231-2314/107-000	611
231-705/008-000	686	231-838/001-000/105-604/997-409	675	231-2106/026-000	559	231-2315/026-000	611
231-705/026-000	685	231-839/001-000	667	231-2106/037-000	559	231-2315/037-000	611
231-705/031-000	685	231-839/001-000/105-604	675	231-2107/026-000	559	231-2315/107-000	611
231-705/037-000	685	231-839/001-000/105-604/997-409	675	231-2107/037-000	559	231-2316/026-000	611
231-706/008-000	686	231-840/001-000	667	231-2108/026-000	559	231-2316/037-000	611
231-706/026-000	685	231-840/001-000/105-604	675	231-2108/037-000	559	231-2316/107-000	611
231-706/027-000	686	231-840/040-000	667	231-2109/026-000	559	231-2702/026-000	691
231-706/031-000	685	231-841/001-000	667	231-2109/037-000	559	231-2702/037-000	691
231-706/037-000	685	231-841/001-000/105-604	675	231-2110/026-000	559	231-2703/026-000	691
231-707/008-000	686	231-842/001-000	667	231-2110/037-000	559	231-2703/037-000	691
231-707/026-000	685	231-842/001-000/105-604	675	231-2111/026-000	559	231-2704/026-000	691
231-707/027-000	686	231-843/001-000	667	231-2111/037-000	559	231-2704/037-000	691
231-707/031-000	685	231-846/001-000	667	231-2112/026-000	559	231-2705/026-000	691
231-707/037-000	685	231-862/001-000	671	231-2112/037-000	559	231-2705/037-000	691
231-708/008-000	686	231-862/001-000/105-604	679	231-2113/026-000	559	231-2706/026-000	691
231-708/026-000	685	231-862/001-000/105-604/997-405	679	231-2113/037-000	559	231-2706/037-000	691
231-708/027-000	686	231-863/001-000	671	231-2114/026-000	559	231-2707/026-000	691
231-708/031-000	685	231-863/001-000/105-604	679	231-2114/037-000	559	231-2707/037-000	691
231-708/037-000	685	231-863/001-000/105-604/997-407	679	231-2115/026-000	559	231-2708/026-000	691
231-709/008-000	686	231-864/001-000	671	231-2115/037-000	559	231-2708/037-000	691
231-709/026-000	685	231-864/001-000/105-604	679	231-2116/026-000	559	231-2709/026-000	691
231-709/027-000	686	231-864/001-000/105-604/997-407	679	231-2116/037-000	559	231-2709/037-000	691
231-709/031-000	685	231-865/001-000	671	231-2202/026-000	651	231-2710/026-000	691
231-709/037-000	685	231-865/001-000/105-604	679	231-2202/037-000	651	231-2710/037-000	691
231-710/008-000	686	231-865/001-000/105-604/997-407	679	231-2203/026-000	651	231-2711/026-000	691
231-710/026-000	685	231-866/001-000	671	231-2203/037-000	651	231-2711/037-000	691
231-710/027-000	686	231-866/001-000/105-604	679	231-2204/026-000	651	231-2712/026-000	691
231-710/031-000	685	231-866/001-000/105-604/997-409	679	231-2204/037-000	651	231-2712/037-000	691
231-710/037-000	685	231-867/001-000	671	231-2205/026-000	651		
231-711/008-000	686	231-867/001-000/105-604	679	231-2205/037-000	651		
231-711/026-000	685	231-867/001-000/105-604/997-409	679	231-2206/026-000	651	<b>232 Series</b>	
231-711/027-000	686	231-868/001-000	671	231-2206/037-000	651	232-102/026-000	553
231-711/031-000	685	231-868/001-000/105-604	679	231-2207/026-000	651	232-103/026-000	553
231-711/037-000	685	231-868/001-000/105-604/997-409	679	231-2207/037-000	651	232-104/026-000	553
231-712/008-000	686	231-869/001-000	671	231-2208/026-000	651	232-105/026-000	553
231-712/026-000	685	231-869/001-000/105-604	679	231-2208/037-000	651	232-106/026-000	553
231-712/027-000	686	231-869/001-000/105-604/997-409	679	231-2209/026-000	651	232-107/026-000	553
231-712/031-000	685	231-870/001-000	671	231-2209/037-000	651	232-108/026-000	553
231-712/037-000	685	231-870/001-000/105-604	679	231-2210/026-000	651	232-109/026-000	553
231-732/001-000	707	231-870/040-000	671	231-2210/037-000	651	232-110/026-000	553
231-733/001-000	707	231-871/001-000	671	231-2211/026-000	651	232-111/026-000	553
231-734/001-000	707	231-871/001-000/105-604	679	231-2211/037-000	651	232-112/026-000	553
231-735/001-000	707	231-872/001-000	671	231-2212/026-000	651	232-113/026-000	553
231-736/001-000	707	231-872/001-000/105-604	679	231-2212/037-000	651	232-114/026-000	553
231-737/001-000	707	231-873/001-000	671	231-2302/026-000	611	232-115/026-000	553
231-738/001-000	707	231-876/001-000	671	231-2302/037-000	611	232-116/026-000	553
231-739/001-000	707	231-902	543	231-2302/107-000	611	232-117/026-000	553
231-740/001-000	707	231-903	543	231-2303/026-000	611	232-118/026-000	553
231-741/001-000	707	231-905	543	231-2303/037-000	611	232-119/026-000	553
231-742/001-000	707	231-907	543	231-2303/107-000	611	232-120/026-000	553

Item No.	Page	Item No.	Page	Item No.	Page	Item No.	Page
<b>232 Series</b>		<b>232 Series</b>		<b>232 Series</b>		<b>232 Series</b>	
232-121/026-000	553	232-145/047-000	572	232-173/031-000	625	232-233/047-000	572
232-122/026-000	553	232-146	569	232-173/039-000	624	232-234	569
232-123/026-000	553	232-146/031-000	571	232-173/047-000	626	232-234/005-000	597
232-124/026-000	553	232-146/039-000	570	232-174	623	232-234/005-000/039-000	597
232-132	569	232-146/047-000	572	232-174/031-000	625	232-234/031-000	571
232-132/005-000	597	232-147	569	232-174/039-000	624	232-234/039-000	569
232-132/005-000/039-000	598	232-147/031-000	571	232-174/047-000	626	232-234/047-000	572
232-132/031-000	571	232-147/039-000	570	232-175	623	232-235	569
232-132/039-000	570	232-147/047-000	572	232-175/031-000	625	232-235/005-000	597
232-132/047-000	572	232-148	569	232-175/039-000	624	232-235/005-000/039-000	597
232-133	569	232-148/031-000	571	232-175/047-000	626	232-235/031-000	571
232-133/005-000	597	232-148/039-000	570	232-176	623	232-235/039-000	569
232-133/005-000/039-000	598	232-148/047-000	572	232-176/031-000	625	232-235/047-000	572
232-133/031-000	571	232-149	569	232-176/039-000	624	232-236	569
232-133/039-000	570	232-149/031-000	571	232-176/047-000	626	232-236/005-000	597
232-133/047-000	572	232-149/039-000	570	232-177	623	232-236/005-000/039-000	597
232-134	569	232-149/047-000	572	232-177/031-000	625	232-236/031-000	571
232-134/005-000	597	232-150	569	232-177/039-000	624	232-236/039-000	569
232-134/005-000/039-000	598	232-150/031-000	571	232-177/047-000	626	232-236/047-000	572
232-134/031-000	571	232-150/039-000	570	232-178	623	232-237	569
232-134/039-000	570	232-150/047-000	572	232-178/031-000	625	232-237/005-000	597
232-134/047-000	572	232-151	569	232-178/039-000	624	232-237/005-000/039-000	597
232-135	569	232-151/031-000	571	232-178/047-000	626	232-237/031-000	571
232-135/005-000	597	232-151/039-000	570	232-179	623	232-237/039-000	569
232-135/005-000/039-000	598	232-151/047-000	572	232-179/031-000	625	232-237/047-000	572
232-135/031-000	571	232-152	569	232-179/039-000	624	232-238	569
232-135/039-000	570	232-152/031-000	571	232-179/047-000	626	232-238/005-000	597
232-135/047-000	572	232-152/039-000	570	232-180	623	232-238/031-000	571
232-136	569	232-152/047-000	572	232-180/031-000	625	232-238/039-000	569
232-136/005-000	597	232-153	569	232-180/039-000	624	232-238/047-000	572
232-136/005-000/039-000	598	232-153/031-000	571	232-180/047-000	626	232-239	569
232-136/031-000	571	232-153/039-000	570	232-181	623	232-239/005-000	597
232-136/039-000	570	232-153/047-000	572	232-181/031-000	625	232-239/005-000/039-000	597
232-136/047-000	572	232-154	569	232-181/039-000	624	232-239/031-000	571
232-137	569	232-154/031-000	571	232-181/047-000	626	232-239/039-000	569
232-137/005-000	597	232-154/047-000	572	232-182	623	232-239/047-000	572
232-137/005-000/039-000	598	232-162	623	232-182/031-000	625	232-240	569
232-137/031-000	571	232-162/031-000	625	232-182/039-000	624	232-240/005-000	597
232-137/039-000	570	232-162/039-000	624	232-182/047-000	626	232-240/005-000/039-000	597
232-137/047-000	572	232-162/047-000	626	232-183	623	232-240/031-000	571
232-138	569	232-163	623	232-183/031-000	625	232-240/039-000	569
232-138/005-000	597	232-163/031-000	625	232-183/039-000	624	232-240/047-000	572
232-138/005-000/039-000	598	232-163/039-000	624	232-183/047-000	626	232-241	569
232-138/031-000	571	232-163/047-000	626	232-184	623	232-241/005-000	597
232-138/039-000	570	232-164	623	232-184/031-000	625	232-241/005-000/039-000	597
232-138/047-000	572	232-164/031-000	625	232-184/039-000	624	232-241/031-000	571
232-139	569	232-164/039-000	624	232-184/047-000	626	232-241/039-000	569
232-139/005-000	597	232-164/047-000	626	232-202/026-000	553	232-241/047-000	572
232-139/005-000/039-000	598	232-165	623	232-203/026-000	553	232-242	569
232-139/031-000	571	232-165/031-000	625	232-204/026-000	553	232-242/005-000	597
232-139/039-000	570	232-165/039-000	624	232-205/026-000	553	232-242/005-000/039-000	597
232-139/047-000	572	232-165/047-000	626	232-206/026-000	553	232-242/031-000	571
232-140	569	232-166	623	232-207/026-000	553	232-242/039-000	569
232-140/005-000	597	232-166/031-000	625	232-208/026-000	553	232-242/047-000	572
232-140/005-000/039-000	598	232-166/039-000	624	232-209/026-000	553	232-243	569
232-140/031-000	571	232-166/047-000	626	232-210/026-000	553	232-243/031-000	571
232-140/039-000	570	232-167	623	232-211/026-000	553	232-243/039-000	569
232-140/047-000	572	232-167/031-000	625	232-212/026-000	553	232-243/047-000	572
232-141	569	232-167/039-000	624	232-213/026-000	553	232-244	569
232-141/005-000	597	232-167/047-000	626	232-214/026-000	553	232-244/031-000	571
232-141/005-000/039-000	598	232-168	623	232-215/026-000	553	232-244/039-000	569
232-141/031-000	571	232-168/031-000	625	232-216/026-000	553	232-244/047-000	572
232-141/039-000	570	232-168/039-000	624	232-217/026-000	553	232-245	569
232-141/047-000	572	232-168/047-000	626	232-218/026-000	553	232-245/031-000	571
232-142	569	232-169	623	232-219/026-000	553	232-245/039-000	569
232-142/005-000	597	232-169/031-000	625	232-220/026-000	553	232-245/047-000	572
232-142/005-000/039-000	598	232-169/039-000	624	232-221/026-000	553	232-246	569
232-142/031-000	571	232-169/047-000	626	232-222/026-000	553	232-246/031-000	571
232-142/039-000	570	232-170	623	232-223/026-000	553	232-246/039-000	569
232-142/047-000	572	232-170/031-000	625	232-224/026-000	553	232-246/047-000	572
232-143	569	232-170/039-000	624	232-232	569	232-247	569
232-143/031-000	571	232-170/047-000	626	232-232/005-000	597	232-247/031-000	571
232-143/039-000	570	232-171	623	232-232/005-000/039-000	597	232-247/039-000	569
232-143/047-000	572	232-171/031-000	625	232-232/031-000	571	232-247/047-000	572
232-144	569	232-171/039-000	624	232-232/039-000	569	232-248	569
232-144/031-000	571	232-171/047-000	626	232-232/047-000	572	232-248/031-000	571
232-144/039-000	570	232-172	623	232-233	569	232-248/039-000	569
232-144/047-000	572	232-172/031-000	625	232-233/005-000	597	232-248/047-000	572
232-145	569	232-172/039-000	624	232-233/005-000/039-000	597	232-249	569
232-145/031-000	571	232-172/047-000	626	232-233/031-000	571	232-249/031-000	571
232-145/039-000	570	232-173	623	232-233/039-000	569	232-249/039-000	569

## Item Number Index

Item No.	Page	Item No.	Page	Item No.	Page	Item No.	Page
<b>232 Series</b>		<b>232 Series</b>		<b>232 Series</b>		<b>232 Series</b>	
232-249/047-000	572	232-277	623	232-410/026-000	609	232-591/007-000	711
232-250	569	232-277/031-000	625	232-411/026-000	609	232-592/007-000	711
232-250/031-000	571	232-277/039-000	623	232-412/026-000	609	232-602	540
232-250/039-000	569	232-277/047-000	626	232-413/026-000	609	232-603	540
232-250/047-000	572	232-278	623	232-414/026-000	609	232-604	540
232-251	569	232-278/031-000	625	232-415/026-000	609	232-605	540
232-251/031-000	571	232-278/039-000	623	232-416/026-000	609	232-606	540
232-251/039-000	569	232-278/047-000	626	232-417/026-000	609	232-607	540
232-251/047-000	572	232-279	623	232-418/026-000	609	232-608	540
232-252	569	232-279/031-000	625	232-419/026-000	609	232-609	540
232-252/031-000	571	232-279/039-000	623	232-420/026-000	609	232-610	540
232-252/039-000	569	232-279/047-000	626	232-421/026-000	609	232-612	540
232-252/047-000	572	232-280	623	232-422/026-000	609	232-632	540
232-253	569	232-280/031-000	625	232-423/026-000	609	232-633	540
232-253/031-000	571	232-280/039-000	623	232-424/026-000	609	232-634	540
232-253/039-000	569	232-280/047-000	626	232-502/007-000	595	232-635	540
232-253/047-000	572	232-281	623	232-503/007-000	595	232-636	540
232-254	569	232-281/031-000	625	232-504/007-000	595	232-637	540
232-254/031-000	571	232-281/039-000	623	232-505/007-000	595	232-638	540
232-254/039-000	569	232-281/047-000	626	232-506/007-000	595	232-639	540
232-254/047-000	572	232-282	623	232-507/007-000	595	232-640	540
232-262	623	232-282/031-000	625	232-508/007-000	595	232-642	540
232-262/031-000	625	232-282/039-000	623	232-509/007-000	595	232-646	540
232-262/039-000	623	232-282/047-000	626	232-510/007-000	595	232-662	541
232-262/047-000	626	232-283	623	232-511/007-000	595	232-663	541
232-263	623	232-283/031-000	625	232-512/007-000	595	232-664	541
232-263/031-000	625	232-283/039-000	623	232-513/007-000	595	232-665	541
232-263/039-000	623	232-283/047-000	626	232-514/007-000	595	232-667	541
232-263/047-000	626	232-284	623	232-515/007-000	595	232-670	541
232-264	623	232-284/031-000	625	232-516/007-000	595	232-682	541
232-264/031-000	625	232-284/039-000	623	232-517/007-000	595	232-683	541
232-264/039-000	623	232-284/047-000	626	232-518/007-000	595	232-684	541
232-264/047-000	626	232-302/026-000	609	232-519/007-000	595	232-685	541
232-265	623	232-303/026-000	609	232-520/007-000	595	232-687	541
232-265/031-000	625	232-304/026-000	609	232-521/007-000	595	232-732	661
232-265/039-000	623	232-305/026-000	609	232-522/007-000	595	232-732/031-000	663
232-265/047-000	626	232-306/026-000	609	232-523/007-000	595	232-732/039-000	662
232-266	623	232-307/026-000	609	232-524/007-000	595	232-732/047-000	664
232-266/031-000	625	232-308/026-000	609	232-532/007-000	639	232-733	661
232-266/039-000	623	232-309/026-000	609	232-533/007-000	639	232-733/031-000	663
232-266/047-000	626	232-310/026-000	609	232-534/007-000	639	232-733/039-000	662
232-267	623	232-311/026-000	609	232-535/007-000	639	232-733/047-000	664
232-267/031-000	625	232-312/026-000	609	232-536/007-000	639	232-734	661
232-267/039-000	623	232-313/026-000	609	232-537/007-000	639	232-734/031-000	663
232-267/047-000	626	232-314/026-000	609	232-538/007-000	639	232-734/039-000	662
232-268	623	232-315/026-000	609	232-539/007-000	639	232-734/047-000	664
232-268/031-000	625	232-316/026-000	609	232-540/007-000	639	232-735	661
232-268/039-000	623	232-317/026-000	609	232-541/007-000	639	232-735/031-000	663
232-268/047-000	626	232-318/026-000	609	232-542/007-000	639	232-735/039-000	662
232-269	623	232-319/026-000	609	232-543/007-000	639	232-735/047-000	664
232-269/031-000	625	232-320/026-000	609	232-544/007-000	639	232-736	661
232-269/039-000	623	232-321/026-000	609	232-545/007-000	639	232-736/031-000	663
232-269/047-000	626	232-322/026-000	609	232-546/007-000	639	232-736/039-000	662
232-270	623	232-323/026-000	609	232-547/007-000	639	232-736/047-000	664
232-270/031-000	625	232-324/026-000	609	232-548/007-000	639	232-737	661
232-270/039-000	623	232-332	579	232-549/007-000	639	232-737/031-000	663
232-270/047-000	626	232-333	579	232-550/007-000	639	232-737/039-000	662
232-271	623	232-334	579	232-551/007-000	639	232-737/047-000	664
232-271/031-000	625	232-335	579	232-552/007-000	639	232-738	661
232-271/039-000	623	232-336	579	232-553/007-000	639	232-738/031-000	663
232-271/047-000	626	232-337	579	232-554/007-000	639	232-738/039-000	662
232-272	623	232-338	579	232-562/007-000	683	232-738/047-000	664
232-272/031-000	625	232-340	579	232-563/007-000	683	232-739	661
232-272/039-000	623	232-342	579	232-564/007-000	683	232-739/031-000	663
232-272/047-000	626	232-346	579	232-565/007-000	683	232-739/039-000	662
232-273	623	232-362	633	232-566/007-000	683	232-739/047-000	664
232-273/031-000	625	232-363	633	232-567/007-000	683	232-740	661
232-273/039-000	623	232-364	633	232-568/007-000	683	232-740/031-000	663
232-273/047-000	626	232-366	633	232-569/007-000	683	232-740/039-000	662
232-274	623	232-368	633	232-570/007-000	683	232-740/047-000	664
232-274/031-000	625	232-370	633	232-571/007-000	683	232-741	661
232-274/039-000	623	232-372	633	232-572/007-000	683	232-741/031-000	663
232-274/047-000	626	232-376	633	232-582/007-000	711	232-741/039-000	662
232-275	623	232-402/026-000	609	232-583/007-000	711	232-741/047-000	664
232-275/031-000	625	232-403/026-000	609	232-584/007-000	711	232-742	661
232-275/039-000	623	232-404/026-000	609	232-585/007-000	711	232-742/031-000	663
232-275/047-000	626	232-405/026-000	609	232-586/007-000	711	232-742/039-000	662
232-276	623	232-406/026-000	609	232-587/007-000	711	232-742/047-000	664
232-276/031-000	625	232-407/026-000	609	232-588/007-000	711	232-743	661
232-276/039-000	623	232-408/026-000	609	232-589/007-000	711	232-743/031-000	663
232-276/047-000	626	232-409/026-000	609	232-590/007-000	711	232-743/039-000	662

Item No.	Page	Item No.	Page	Item No.	Page	Item No.	Page
<b>232 Series</b>		<b>232 Series</b>		<b>233 Series</b>		<b>235 Series</b>	
232-743/047-000	664	232-840	661	233-207	99	235-403	211
232-746	661	232-840/031-000	663	233-208	99	235-403/331-000	175
232-746/031-000	663	232-840/039-000	661	233-209	99	235-404	211
232-746/039-000	662	232-840/047-000	664	233-210	99	235-404/331-000	175
232-746/047-000	664	232-841	661	233-212	99	235-405	211
232-762	701	232-841/031-000	663	233-331	839	235-405/331-000	175
232-762/031-000	703	232-841/039-000	661	233-332	839	235-406	211
232-762/039-000	702	232-841/047-000	664	233-335	839	235-406/331-000	175
232-762/047-000	704	232-842	661	233-402	19	235-407	211
232-763	701	232-842/031-000	663	233-403	19	235-407/331-000	175
232-763/031-000	703	232-842/039-000	661	233-404	19	235-408	211
232-763/039-000	702	232-842/047-000	664	233-405	19	235-408/331-000	175
232-763/047-000	704	232-843	661	233-406	19	235-409	211
232-764	701	232-843/031-000	663	233-407	19	235-409/331-000	175
232-764/031-000	703	232-843/039-000	661	233-408	19	235-410	211
232-764/039-000	702	232-843/047-000	664	233-409	19	235-410/331-000	175
232-764/047-000	704	232-846	661	233-410	19	235-412	211
232-765	701	232-846/031-000	663	233-412	19	235-412/331-000	175
232-765/031-000	703	232-846/039-000	661	233-502	99	235-500	173
232-765/039-000	702	232-846/047-000	664	233-503	99	235-501	209
232-765/047-000	704	232-862	701	233-504	99	235-501/331-000	173
232-766	701	232-862/031-000	703	233-505	99	235-550	173
232-766/031-000	703	232-862/039-000	701	233-506	99	235-600	173
232-766/039-000	702	232-862/047-000	704	233-507	99	235-650	173
232-766/047-000	704	232-863	701	233-508	99	235-700	173
232-767	701	232-863/031-000	703	233-509	99	235-701	173
232-767/031-000	703	232-863/039-000	701	233-510	99	235-740	209
232-767/039-000	702	232-863/047-000	704	233-512	99	235-740/331-000	173
232-767/047-000	704	232-864	701	<b>234 Series</b>		235-741/331-000	173
232-768	701	232-864/031-000	703	234-202	101	235-742	209
232-768/031-000	703	232-864/039-000	701	234-203	101	235-742/331-000	173
232-768/039-000	702	232-864/047-000	704	234-204	101	235-743	209
232-768/047-000	704	232-865	701	234-205	101	235-743/331-000	173
232-769	701	232-865/031-000	703	234-206	101	235-744	209
232-769/031-000	703	232-865/039-000	701	234-207	101	235-744/331-000	173
232-769/039-000	702	232-865/047-000	704	234-208	101	235-745/331-000	173
232-769/047-000	704	232-866	701	234-209	101	235-746	209
232-770	701	232-866/031-000	703	234-210	101	235-746/331-000	173
232-770/031-000	703	232-866/039-000	701	234-212	101	235-747	209
232-770/039-000	702	232-866/047-000	704	234-502	101	235-747/331-000	173
232-770/047-000	704	232-867	701	234-503	101	235-748/331-000	173
232-771	701	232-867/031-000	703	234-504	101	235-749/331-000	173
232-771/031-000	703	232-867/039-000	701	234-505	101	235-752	209
232-771/039-000	702	232-867/047-000	704	234-506	101	235-752/331-000	173
232-771/047-000	704	232-868	701	234-507	101	235-753	209
232-772	701	232-868/031-000	703	234-508	101	235-753/331-000	173
232-772/031-000	703	232-868/039-000	701	234-509	101	235-754	209
232-772/039-000	702	232-868/047-000	704	234-510	101	235-754/331-000	173
232-772/047-000	704	232-869	701	234-512	101	235-756	209
232-832	661	232-869/031-000	703	<b>235 Series</b>		235-756/331-000	173
232-832/031-000	663	232-869/039-000	701	235-100	173	235-757	209
232-832/039-000	661	232-869/047-000	704	235-101	177	235-757/331-000	173
232-832/047-000	664	232-870	701	235-101/330-000	213	235-758/331-000	173
232-833	661	232-870/031-000	703	235-102	179	235-762	209
232-833/031-000	663	232-870/039-000	701	235-102/330-000	215	235-762/331-000	173
232-833/039-000	661	232-871	701	235-103	179	235-764/331-000	173
232-833/047-000	664	232-871/031-000	703	235-103/330-000	215	235-766	209
232-834	661	232-871/039-000	701	235-104	179	235-766/331-000	173
232-834/031-000	663	232-871/047-000	704	235-105	179	235-767/331-000	173
232-834/039-000	661	232-872	701	235-105/330-000	215	235-770	177
232-834/047-000	664	232-872/031-000	703	235-106	179	235-771	177
232-835	661	232-872/039-000	701	235-106/330-000	215	235-772	177
232-835/031-000	663	232-872/047-000	704	235-107	179	235-774	177
232-835/039-000	661	<b>233 Series</b>		235-107/330-000	215	235-775	177
232-835/047-000	664	233-102	19	235-108	179	235-776	177
232-836	661	233-103	19	235-108/330-000	215	235-777	177
232-836/031-000	663	233-104	19	235-109	179	235-778	177
232-836/039-000	661	233-105	19	235-109/330-000	215	235-800	173
232-836/047-000	664	233-106	19	235-110	179	235-801	209
232-837	661	233-107	19	235-110/330-000	215	235-801/331-000	173
232-837/031-000	663	233-108	19	235-111	179	235-850	173
232-837/039-000	661	233-109	19	235-112	179	<b>236 Series</b>	
232-837/047-000	664	233-110	19	235-200	173	236-100	21
232-838	661	233-112	19	235-300	173	236-101	21
232-838/031-000	663	233-202	99	235-400	173	236-102	27
232-838/039-000	661	233-203	99	235-401	209	236-103	27
232-838/047-000	664	233-204	99	235-401/331-000	173	236-104	27
232-839	661	233-205	99	235-402	211	236-106	27
232-839/031-000	663	233-206	99	235-402/331-000	175	236-108	27
232-839/039-000	661						
232-839/047-000	664						

## Item Number Index

Item No.	Page	Item No.	Page	Item No.	Page	Item No.	Page
<b>236 Series</b>		<b>236 Series</b>		<b>248 Series</b>		<b>250 Series</b>	
236-112	27	236-725	23	248-501/000-012	830	250-208	167
236-116	27	236-726	23	248-501/000-017	830	250-208/353-604	279
236-124	27	236-727	23	248-501/000-023	830	250-208/353-604/997-406	279
236-136	27	236-732	25	248-501/000-024	830	250-209	167
236-148	27	236-733	25	248-502	831	250-210	167
236-200	21	236-734	25	248-503	831	250-211	167
236-201	23	236-735	25	248-504	831	250-212	167
236-202	29	236-736	25	248-505	831	250-213	167
236-203	29	236-737	25	248-506	831	250-214	167
236-204	29	236-740	21	248-507	831	250-215	167
236-206	29	236-741	21	248-508	831	250-216	167
236-208	29	236-742	21	248-509	831	250-217	167
236-212	29	236-743	21	248-510	831	250-218	167
236-216	29	236-744	21	248-511	831	250-219	167
236-224	29	236-745	21	248-512	831	250-220	167
236-300	21	236-746	21	248-513	831	250-221	167
236-301	25	236-747	21	248-514	831	250-222	167
236-302	31	236-752	23	248-515	831	250-223	167
236-303	31	236-753	23	248-516	831	250-224	167
236-304	31	236-754	23	248-517	831	250-302	161
236-306	31	236-755	23	248-565	831	250-303	161
236-308	31	236-756	23	248-566	831	250-304	161
236-312	31	236-757	23	248-569	831	250-305	161
236-316	31	236-762	25	248-570	831	250-306	161
236-324	31	236-763	25	248-571	831	250-307	161
236-332	839	236-764	25	248-572	831	250-308	161
236-335	839	236-765	25	248-573	831	250-309	161
236-400	21	236-766	25			250-310	161
236-401	21	236-767	25			250-311	161
236-402	27	236-800	21	<b>249 Series</b>		250-312	161
236-402/334-604	283	236-850	21	249-110	252	250-313	161
236-402/334-604/997-405	283	236-851	21	249-111	252	250-314	161
236-403	27	236-852	23	249-112	252	250-315	161
236-403/334-604	283	236-853	25	249-113	252	250-316	161
236-403/334-604/997-405	283	236-854	21	249-114	252	250-317	161
236-404	27	236-855	23	249-115	252	250-318	161
236-404/334-604	283	236-856	25	249-130	851	250-319	161
236-404/334-604/997-406	283	236-881	21			250-320	161
236-405/334-604	283	236-882	23	<b>250 Series</b>		250-321	161
236-405/334-604/997-406	283	236-884	21	250-102	165	250-322	161
236-406	27	236-885	23	250-103	165	250-323	161
236-406/334-604	283	236-891	21	250-104	165	250-324	161
236-406/334-604/997-406	283	236-894	21	250-105	165	250-402	163
236-408	27			250-106	165	250-402/350-604	277
236-412	27	<b>243 Series</b>		250-107	165	250-403	163
236-416	27	243-131	763	250-108	165	250-403/350-604	277
236-424	27	243-211	817	250-109	165	250-404	163
236-436	27	243-212	817	250-110	165	250-404/350-604	277
236-448	27	243-721	767	250-111	165	250-405	163
236-500	21	243-722	767	250-112	165	250-405/350-604	277
236-501	23	243-723	767	250-113	165	250-406	163
236-502	29	243-724	767	250-114	165	250-406/350-604	277
236-503	29	243-725	767	250-115	165	250-407	163
236-504	29	243-726	767	250-116	165	250-407/350-604	277
236-506	29	243-742	767	250-117	165	250-408	163
236-508	29	243-742/000-006	767	250-118	165	250-408/350-604	277
236-512	29	243-742/000-012	767	250-119	165	250-409	163
236-516	29	243-743	767	250-120	165	250-410	163
236-524	29	243-743/000-012	767	250-121	165	250-411	163
236-600	21	243-744	767	250-122	165	250-412	163
236-601	25	243-744/000-006	767	250-123	165	250-413	163
236-602	31	243-744/000-007	767	250-124	165	250-414	163
236-603	31	243-744/000-012	767	250-202	167	250-415	163
236-604	31	243-745	767	250-202/353-604	279	250-416	163
236-606	31	243-745/000-006	767	250-202/353-604/997-404	279	250-417	163
236-608	31	243-745/000-012	767	250-203	167	250-418	163
236-612	31	243-746	767	250-203/353-604	279	250-419	163
236-616	31	243-746/000-006	767	250-204	167	250-420	163
236-624	31	243-747	767	250-204/353-604/997-404	279	250-421	163
236-700	21	243-747	767	250-204/353-604	279	250-422	163
236-710	21	243-748	767	250-204/353-604/997-405	279	250-423	163
236-711	21			250-205	167	250-424	163
236-712	21	<b>248 Series</b>		250-205	167	250-502	165
236-713	21	248-472	831	250-205/353-604	279	250-503	165
236-714	21	248-474	831	250-205/353-604/997-405	279	250-504	165
236-715	21	248-501	830	250-206	167	250-505	165
236-716	21	248-501/000-002	830	250-206/353-604	279	250-506	165
236-717	21	248-501/000-005	830	250-206/353-604/997-406	279	250-507	165
236-722	23	248-501/000-006	830	250-207	167	250-508	165
236-723	23	248-501/000-007	830	250-207/353-604	279	250-509	165
236-724	23			250-207/353-604/997-406	279	250-510	165



Item No.	Page	Item No.	Page	Item No.	Page	Item No.	Page
<b>250 Series</b>		<b>252 Series</b>		<b>254 Series</b>		<b>255 Series</b>	
250-511	165	252-907	763	254-867	219	255-748	105
250-512	165	252-908	763			255-750	105
250-513	165	252-909	763			255-751	105
250-514	165	252-910	763	<b>255 Series</b>		255-752	105
250-515	165	252-954	763	255-100	105	255-753	105
250-516	165			255-200	105	255-754	105
250-602	165	<b>253 Series</b>		255-300	105	255-756	105
250-603	165	253-102	205	255-400	105	255-757	105
250-604	165	253-103	205	255-401	105	255-758	105
250-605	165	253-104	205	255-402	107	255-760	105
250-606	165	253-105	205	255-402/333-000	109	255-761	105
250-607	165	253-106	205	255-403	107	255-762	105
250-608	165	253-107	205	255-403/333-000	109	255-763	105
250-609	165	253-108	205	255-404	107	255-764	105
250-610	165	253-109	205	255-404/333-000	109	255-766	105
250-611	165	253-110	205	255-405	107	255-767	105
250-612	165	253-111	205	255-405/333-000	109	255-768	105
250-702	169	253-112	205	255-406	107	255-800	105
250-703	169	253-113	205	255-406/333-000	109	255-801	105
250-704	169	253-114	205	255-407	107	255-811	105
250-706	169	253-115	205	255-407/333-000	109	255-821	105
250-708	169	253-116	205	255-408	107		
250-710	169			255-408/333-000	109		
250-712	169	<b>254 Series</b>		255-409	107	<b>256 Series</b>	
250-716	169	254-100	219	255-409/333-000	109	256-100	111
250-1402	163	254-200	219	255-410	107	256-200	111
250-1403	163	254-300	219	255-410/333-000	109	256-300	111
250-1404	163	254-400	219	255-412	107	256-400	111
250-1405	163	254-451	219	255-412/333-000	109	256-401	111
250-1406	163	254-452	221	255-500	105	256-402	113
250-1407	163	254-453	221	255-501	105	256-402/333-000	119
250-1408	163	254-454	221	255-502	107	256-402/334-000	117
250-1409	163	254-455	221	255-502/333-000	109	256-403	113
250-1410	163	254-456	221	255-503	107	256-403/333-000	119
250-1411	163	254-457	221	255-503/333-000	109	256-403/334-000	117
250-1412	163	254-458	221	255-504	107	256-404	113
250-1413	163	254-459	221	255-504/333-000	109	256-404/333-000	119
250-1414	163	254-460	221	255-505	107	256-404/334-000	117
250-1415	163	254-462	221	255-505/333-000	109	256-405	113
250-1416	163	254-466	221	255-506	107	256-405/333-000	119
250-1417	163	254-474	221	255-506/333-000	109	256-405/334-000	117
250-1418	163	254-551	219	255-507	107	256-406	113
250-1419	163	254-552	221	255-507/333-000	109	256-406/333-000	119
250-1420	163	254-553	221	255-508	107	256-406/334-000	117
250-1421	163	254-554	221	255-508/333-000	109	256-407	113
250-1422	163	254-555	221	255-509	107	256-407/333-000	119
250-1423	163	254-556	221	255-509/333-000	109	256-407/334-000	117
250-1424	163	254-557	221	255-510	107	256-408	113
<b>251 Series</b>		254-558	221	255-510/333-000	109	256-408/333-000	119
251-303	207	254-559	221	255-512	107	256-408/334-000	117
251-304	207	254-560	221	255-512/333-000	109	256-409	113
251-306	207	254-562	221	255-600	105	256-409/333-000	119
251-307	207	254-600	219	255-601	105	256-409/334-000	117
251-308	207	254-651	219	255-602	107	256-410	113
251-310	207	254-652	221	255-602/333-000	109	256-410/333-000	119
<b>252 Series</b>		254-653	221	255-603	107	256-410/334-000	117
252-102	763	254-654	221	255-603/333-000	109	256-412	113
252-103	763	254-655	221	255-604	107	256-412/333-000	119
252-104	763	254-656	221	255-604/333-000	109	256-412/334-000	117
252-105	763	254-657	221	255-605	107	256-461	115
252-106	763	254-658	221	255-605/333-000	109	256-500	111
252-107	763	254-659	221	255-606	107	256-501	111
252-108	763	254-660	221	255-606/333-000	109	256-502	113
252-109	763	254-662	221	255-607	107	256-502/333-000	119
252-110	763	254-700	219	255-607/333-000	109	256-502/334-000	117
252-152	763	254-842	219	255-608	107	256-503	113
252-153	763	254-843	219	255-608/333-000	109	256-503/333-000	119
252-154	763	254-844	219	255-609	107	256-503/334-000	117
252-155	763	254-846	219	255-609/333-000	109	256-504	113
252-156	763	254-847	219	255-610	107	256-504/333-000	119
252-157	763	254-852	219	255-610/333-000	109	256-504/334-000	117
252-158	763	254-853	219	255-612	107	256-505	113
252-159	763	254-854	219	255-612/333-000	109	256-505/333-000	119
252-160	763	254-856	219	255-700	105	256-505/334-000	117
252-902	763	254-857	219	255-740	105	256-506	113
252-903	763	254-862	219	255-741	105	256-506/333-000	119
252-904	763	254-863	219	255-742	105	256-506/334-000	117
252-905	763	254-864	219	255-743	105	256-507	113
252-906	763	254-866	219	255-744	105	256-507/333-000	119
				255-746	105	256-507/334-000	117
				255-747	105	256-508	113

## Item Number Index

Item No.	Page	Item No.	Page	Item No.	Page	Item No.	Page
<b>256 Series</b>		<b>256 Series</b>		<b>257 Series</b>		<b>288 Series</b>	
256-508/333-000	119	256-866	115	257-605/333-000	129	288-600	824
256-508/334-000	117	256-867	115	257-606	123	288-601	824
256-509	113	<b>257 Series</b>		257-606/333-000	129	288-602	824
256-509/333-000	119	257-100	121	257-607	123	288-620	824
256-509/334-000	117	257-200	121	257-607/333-000	129	288-621	824
256-510	113	257-300	121	257-608	123	288-622	824
256-510/333-000	119	257-400	121	257-608/333-000	129	288-626	825
256-510/334-000	117	257-401	121	257-609	123	288-627	825
256-512	113	257-402	123	257-609/333-000	129	<b>709 Series</b>	
256-512/333-000	119	257-402/333-000	129	257-610	123	709-196	825
256-512/334-000	117	257-403	123	257-610/333-000	129	<b>713 Series</b>	
256-561	115	257-403/333-000	129	257-612	123	713-126	434
256-600	111	257-404	123	257-612/333-000	129	713-127	434
256-601	111	257-404/333-000	129	257-651	125	713-128	434
256-602	113	257-405	123	257-652	127	713-129	434
256-602/333-000	119	257-405/333-000	129	257-653	127	713-130	434
256-602/334-000	117	257-406	123	257-654	127	713-1103	417
256-603	113	257-406/333-000	129	257-655	127	713-1103/037-000	417
256-603/333-000	119	257-407	123	257-656	127	713-1103/107-000	417
256-603/334-000	117	257-407/333-000	129	257-657	127	713-1104	417
256-604	113	257-408	123	257-658	127	713-1104/037-000	417
256-604/333-000	119	257-408/333-000	129	257-659	127	713-1104/107-000	417
256-604/334-000	117	257-409	123	257-660	127	713-1105	417
256-605	113	257-409/333-000	129	257-662	127	713-1105/037-000	417
256-605/333-000	119	257-410	123	257-700	121	713-1105/107-000	417
256-605/334-000	117	257-410/333-000	129	257-740	121	713-1106	417
256-606	113	257-412	123	257-742	121	713-1106/037-000	417
256-606/333-000	119	257-412/333-000	129	257-743	121	713-1106/107-000	417
256-606/334-000	117	257-451	125	257-744	121	713-1107	417
256-607	113	257-452	127	257-746	121	713-1107/037-000	417
256-607/333-000	119	257-453	127	257-747	121	713-1107/107-000	417
256-607/334-000	117	257-454	127	257-750	121	713-1108	417
256-608	113	257-455	127	257-752	121	713-1108/037-000	417
256-608/333-000	119	257-456	127	257-753	121	713-1108/107-000	417
256-608/334-000	117	257-457	127	257-754	121	713-1109	417
256-609	113	257-458	127	257-756	121	713-1109/037-000	417
256-609/333-000	119	257-459	127	257-757	121	713-1109/107-000	417
256-609/334-000	117	257-460	127	257-760	121	713-1110	417
256-610	113	257-462	127	257-762	121	713-1110/037-000	417
256-610/333-000	119	257-500	121	257-763	121	713-1110/107-000	417
256-610/334-000	117	257-501	121	257-764	121	713-1111	417
256-612	113	257-502	123	257-766	121	713-1111/037-000	417
256-612/333-000	119	257-502/333-000	129	257-767	121	713-1111/107-000	417
256-612/334-000	117	257-503	123	257-801	121	713-1112	417
256-661	115	257-503/333-000	129	257-811	121	713-1112/037-000	417
256-700	111	257-504	123	257-821	121	713-1112/107-000	417
256-740	111	257-504/333-000	129	257-840	125	713-1113	417
256-742	111	257-505	123	257-842	125	713-1113/037-000	417
256-743	111	257-505/333-000	129	257-843	125	713-1113/107-000	417
256-744	111	257-506	123	257-844	125	713-1114	417
256-746	111	257-506/333-000	129	257-846	125	713-1114/037-000	417
256-747	111	257-507	123	257-847	125	713-1114/107-000	417
256-750	111	257-507/333-000	129	257-850	125	713-1115	417
256-752	111	257-508	123	257-852	125	713-1115/037-000	417
256-753	111	257-508/333-000	129	257-853	125	713-1115/107-000	417
256-754	111	257-509	123	257-854	125	713-1116	417
256-756	111	257-509/333-000	129	257-856	125	713-1116/037-000	417
256-757	111	257-510	123	257-857	125	713-1116/107-000	417
256-760	111	257-510/333-000	129	257-860	125	713-1117	417
256-762	111	257-512	123	257-862	125	713-1117/037-000	417
256-763	111	257-512/333-000	129	257-863	125	713-1117/107-000	417
256-764	111	257-551	125	257-864	125	713-1118	417
256-766	111	257-552	127	257-866	125	713-1118/037-000	417
256-767	111	257-553	127	257-867	125	713-1118/107-000	417
256-800	111	257-554	127	<b>280 Series</b>		713-1403	419
256-840	115	257-555	127	280-402	241	713-1403/037-000	420
256-842	115	257-556	127	280-432	535	713-1403/105-000	426
256-843	115	257-557	127	280-433	535	713-1403/105-000/997-405	426
256-844	115	257-558	127	280-434	535	713-1403/107-000	420
256-846	115	257-559	127	280-435	535	713-1403/116-000	430
256-847	115	257-560	127	280-436	535	713-1403/116-000/997-405	430
256-850	115	257-562	127	280-437	535	713-1403/117-000	428
256-852	115	257-600	121	280-438	535	713-1403/117-000/997-405	428
256-853	115	257-602	123	280-439	535	713-1404	419
256-854	115	257-602/333-000	129	280-440	535	713-1404/037-000	420
256-856	115	257-603	123	<b>288 Series</b>		713-1404/105-000	426
256-857	115	257-603/333-000	129	288-001	826	713-1404/105-000/997-405	426
256-860	115	257-604	123	288-002	826	713-1404/107-000	420
256-862	115	257-604/333-000	129	288-003	826		
256-863	115	257-605	123				
256-864	115						



## Item Number Index

Item No.	Page	Item No.	Page	Item No.	Page	Item No.	Page
<b>721 Series</b>		<b>721 Series</b>		<b>721 Series</b>		<b>721 Series</b>	
721-104/037-000	451	721-145/001-000	479	721-212/026-000	493	721-341/008-000	497
721-105/008-000	452	721-146/001-000	479	721-212/027-000	494	721-341/031-000	497
721-105/026-000	451	721-150/001-000	479	721-212/031-000	493	721-342/008-000	497
721-105/031-000	451	721-162/001-000	481	721-212/037-000	493	721-342/031-000	497
721-105/037-000	451	721-162/003-000	491	721-232/001-000	519	721-432/001-000	479
721-106/008-000	452	721-163/001-000	481	721-233/001-000	519	721-433/001-000	479
721-106/026-000	451	721-163/001-040	485	721-233/001-040	523	721-433/001-040	483
721-106/027-000	452	721-163/003-000	491	721-234/001-000	519	721-434/001-000	479
721-106/031-000	451	721-164/001-000	481	721-234/001-040	523	721-434/001-040	483
721-106/037-000	451	721-164/001-040	485	721-235/001-000	519	721-435/001-000	479
721-107/008-000	452	721-164/003-000	491	721-235/001-040	523	721-435/001-040	483
721-107/026-000	451	721-165/001-000	481	721-236/001-000	519	721-436/001-000	479
721-107/027-000	452	721-165/001-040	485	721-237/001-000	519	721-437/001-000	479
721-107/031-000	451	721-165/003-000	491	721-238/001-000	519	721-438/001-000	479
721-107/037-000	451	721-166/001-000	481	721-239/001-000	519	721-439/001-000	479
721-108/008-000	452	721-166/003-000	491	721-240/001-000	519	721-440/001-000	479
721-108/026-000	451	721-167/001-000	481	721-241/001-000	519	721-441/001-000	479
721-108/027-000	452	721-167/003-000	491	721-242/001-000	519	721-442/001-000	479
721-108/031-000	451	721-168/001-000	481	721-262/001-000	521	721-443/001-000	479
721-108/037-000	451	721-168/003-000	491	721-263/001-000	521	721-444/001-000	479
721-109/008-000	452	721-169/001-000	481	721-263/001-040	525	721-445/001-000	479
721-109/026-000	451	721-169/003-000	491	721-264/001-000	521	721-446/001-000	479
721-109/027-000	452	721-170/001-000	481	721-264/001-040	525	721-450/001-000	479
721-109/031-000	451	721-170/003-000	491	721-265/001-000	521	721-462/001-000	481
721-109/037-000	451	721-170/104-000	481	721-265/001-040	525	721-463/001-000	481
721-110/008-000	452	721-171/001-000	481	721-266/001-000	521	721-463/001-040	485
721-110/026-000	451	721-171/003-000	491	721-267/001-000	521	721-464/001-000	481
721-110/027-000	452	721-172/001-000	481	721-268/001-000	521	721-464/001-040	485
721-110/031-000	451	721-172/003-000	491	721-269/001-000	521	721-465/001-000	481
721-110/037-000	451	721-173/001-000	481	721-270/001-000	521	721-465/001-040	485
721-111/008-000	452	721-173/003-000	491	721-271/001-000	521	721-466/001-000	481
721-111/026-000	451	721-174/001-000	481	721-272/001-000	521	721-467/001-000	481
721-111/027-000	452	721-174/003-000	491	721-302/008-000	457	721-468/001-000	481
721-111/031-000	451	721-175/001-000	481	721-302/031-000	457	721-469/001-000	481
721-111/037-000	451	721-175/003-000	491	721-303/008-000	457	721-470/001-000	481
721-112/008-000	452	721-176/001-000	481	721-303/031-000	457	721-471/001-000	481
721-112/026-000	451	721-176/003-000	491	721-304/008-000	457	721-472/001-000	481
721-112/027-000	452	721-180/001-000	481	721-304/031-000	457	721-473/001-000	481
721-112/031-000	451	721-180/003-000	491	721-305/008-000	457	721-474/001-000	481
721-112/037-000	451	721-202/008-000	494	721-305/031-000	457	721-475/001-000	481
721-113/008-000	452	721-202/026-000	493	721-306/008-000	457	721-476/001-000	481
721-113/026-000	451	721-202/031-000	493	721-306/031-000	457	721-480/001-000	481
721-113/027-000	452	721-202/037-000	493	721-307/008-000	457	721-602	465
721-113/031-000	451	721-203/008-000	494	721-307/031-000	457	721-602/018-000	466
721-113/037-000	451	721-203/026-000	493	721-308/008-000	457	721-602/019-000	465
721-114/008-000	452	721-203/031-000	493	721-308/031-000	457	721-602/114-000	465
721-114/026-000	451	721-203/037-000	493	721-309/008-000	457	721-603	465
721-114/027-000	452	721-204/008-000	494	721-309/031-000	457	721-603/000-042	469
721-114/031-000	451	721-204/026-000	493	721-310/008-000	457	721-603/018-000	466
721-114/037-000	451	721-204/031-000	493	721-310/031-000	457	721-603/018-042	470
721-115/008-000	452	721-204/037-000	493	721-311/008-000	457	721-603/019-000	465
721-115/026-000	451	721-205/008-000	494	721-311/031-000	457	721-603/019-042	469
721-115/027-000	452	721-205/026-000	493	721-312/008-000	457	721-603/114-000	465
721-115/031-000	451	721-205/031-000	493	721-312/031-000	457	721-603/114-042	469
721-115/037-000	451	721-205/037-000	493	721-313/008-000	457	721-604	465
721-116/008-000	452	721-206/008-000	494	721-313/031-000	457	721-604/000-042	469
721-116/026-000	451	721-206/026-000	493	721-314/008-000	457	721-604/018-000	466
721-116/027-000	452	721-206/027-000	494	721-314/031-000	457	721-604/018-042	470
721-116/031-000	451	721-206/031-000	493	721-315/008-000	457	721-604/018-042/033-000	470
721-116/037-000	451	721-206/037-000	493	721-315/031-000	457	721-604/019-000	465
721-120/008-000	452	721-207/008-000	494	721-316/008-000	457	721-604/019-042	469
721-120/026-000	451	721-207/026-000	493	721-316/031-000	457	721-604/114-000	465
721-120/027-000	452	721-207/031-000	493	721-320/008-000	457	721-604/114-042	469
721-120/031-000	451	721-207/037-000	493	721-320/031-000	457	721-605	465
721-120/037-000	451	721-208/008-000	494	721-332/008-000	497	721-605/000-042	469
721-132/001-000	479	721-208/026-000	493	721-332/031-000	497	721-605/018-000	466
721-133/001-000	479	721-208/027-000	494	721-333/008-000	497	721-605/018-042	470
721-133/001-040	483	721-208/031-000	493	721-333/031-000	497	721-605/019-000	465
721-134/001-000	479	721-208/037-000	493	721-334/008-000	497	721-605/019-042	469
721-134/001-040	483	721-209/008-000	494	721-334/031-000	497	721-605/114-000	465
721-135/001-000	479	721-209/026-000	493	721-335/008-000	497	721-605/114-042	469
721-135/001-040	483	721-209/027-000	494	721-335/031-000	497	721-606	465
721-136/001-000	479	721-209/031-000	493	721-336/031-000	497	721-606/018-000	466
721-137/001-000	479	721-209/037-000	493	721-337/008-000	497	721-606/019-000	465
721-138/001-000	479	721-210/008-000	494	721-337/031-000	497	721-606/114-000	465
721-139/001-000	479	721-210/026-000	493	721-338/008-000	497	721-607	465
721-140/001-000	479	721-210/031-000	493	721-338/031-000	497	721-607/018-000	466
721-141/001-000	479	721-210/037-000	493	721-339/008-000	497	721-607/019-000	465
721-142/001-000	479	721-211/008-000	494	721-339/031-000	497	721-607/114-000	465
721-143/001-000	479	721-211/026-000	493	721-340/008-000	497	721-608	465
721-144/001-000	479	721-212/008-000	494	721-340/031-000	497	721-608/018-000	466

Item No.	Page	Item No.	Page	Item No.	Page	Item No.	Page
<b>721 Series</b>		<b>721 Series</b>		<b>722 Series</b>		<b>722 Series</b>	
721-608/019-000	465	721-2109/037-000	459	722-136/031-000	475	722-216/026-000	455
721-608/114-000	465	721-2110/026-000	459	722-136/039-000	474	722-220/026-000	455
721-609	465	721-2110/037-000	459	722-136/047-000	476	722-232	473
721-609/018-000	466	721-2111/026-000	459	722-137	473	722-232/005-000	487
721-609/019-000	465	721-2111/037-000	459	722-137/005-000	487	722-232/005-000/039-000	487
721-609/114-000	465	721-2112/026-000	459	722-137/005-000/039-000	488	722-232/031-000	475
721-610	465	721-2112/037-000	459	722-137/031-000	475	722-232/039-000	473
721-610/018-000	466	721-2113/026-000	459	722-137/039-000	474	722-232/047-000	476
721-610/019-000	465	721-2113/037-000	459	722-137/047-000	476	722-233	473
721-610/114-000	465	721-2114/026-000	459	722-138	473	722-233/005-000	487
721-611	465	721-2114/037-000	459	722-138/005-000	487	722-233/005-000/039-000	487
721-611/018-000	466	721-2115/026-000	459	722-138/005-000/039-000	488	722-233/031-000	475
721-611/019-000	465	721-2115/037-000	459	722-138/031-000	475	722-233/039-000	473
721-611/114-000	465	721-2116/026-000	459	722-138/039-000	474	722-233/047-000	476
721-612	465	721-2116/037-000	459	722-138/047-000	476	722-234	473
721-612/018-000	466	721-2202/026-000	499	722-139	473	722-234/005-000	487
721-612/019-000	465	721-2202/037-000	499	722-139/005-000	487	722-234/005-000/039-000	487
721-612/114-000	465	721-2203/026-000	499	722-139/005-000/039-000	488	722-234/031-000	475
721-613	465	721-2203/037-000	499	722-139/031-000	475	722-234/039-000	473
721-613/018-000	466	721-2204/026-000	499	722-139/039-000	474	722-234/047-000	476
721-613/019-000	465	721-2204/037-000	499	722-139/047-000	476	722-235	473
721-613/114-000	465	721-2205/026-000	499	722-140	473	722-235/005-000	487
721-614	465	721-2205/037-000	499	722-140/005-000	487	722-235/005-000/039-000	487
721-614/018-000	466	721-2206/026-000	499	722-140/005-000/039-000	488	722-235/031-000	475
721-614/019-000	465	721-2206/037-000	499	722-140/031-000	475	722-235/039-000	473
721-614/114-000	465	721-2207/026-000	499	722-140/039-000	474	722-235/047-000	476
721-615	465	721-2207/037-000	499	722-140/047-000	476	722-236	473
721-615/018-000	466	721-2208/026-000	499	722-141	473	722-236/005-000	487
721-615/019-000	465	721-2208/037-000	499	722-141/005-000	487	722-236/005-000/039-000	487
721-615/114-000	465	721-2209/026-000	499	722-141/005-000/039-000	488	722-236/031-000	475
721-616	465	721-2209/037-000	499	722-141/031-000	475	722-236/039-000	473
721-616/018-000	466	721-2210/026-000	499	722-141/039-000	474	722-236/047-000	476
721-616/019-000	465	721-2210/037-000	499	722-141/047-000	476	722-237	473
721-616/114-000	465	721-2211/026-000	499	722-142	473	722-237/005-000	487
721-620	465	721-2211/037-000	499	722-142/005-000	487	722-237/005-000/039-000	487
721-620/018-000	466	721-2212/026-000	499	722-142/005-000/039-000	488	722-237/031-000	475
721-620/019-000	465	721-2212/037-000	499	722-142/031-000	475	722-237/039-000	473
721-620/114-000	465			722-142/039-000	474	722-237/047-000	476
721-832/001-000	519			722-142/047-000	476	722-238	473
721-833/001-000	519			722-143	473	722-238/005-000	487
721-833/001-040	523	<b>722 Series</b>		722-143/005-000	487	722-238/005-000/039-000	487
721-834/001-000	519	722-102/026-000	455	722-143/031-000	475	722-238/031-000	475
721-834/001-040	523	722-103/026-000	455	722-143/039-000	474	722-238/039-000	473
721-835/001-000	519	722-104/026-000	455	722-143/047-000	476	722-238/047-000	476
721-835/001-040	523	722-105/026-000	455	722-144	473	722-239	473
721-836/001-000	519	722-106/026-000	455	722-144/005-000	487	722-239/005-000	487
721-837/001-000	519	722-107/026-000	455	722-144/005-000/039-000	488	722-239/005-000/039-000	487
721-838/001-000	519	722-108/026-000	455	722-144/031-000	475	722-239/031-000	475
721-839/001-000	519	722-109/026-000	455	722-144/039-000	474	722-239/039-000	473
721-840/001-000	519	722-110/026-000	455	722-144/047-000	476	722-239/047-000	476
721-841/001-000	519	722-111/026-000	455	722-145	473	722-240	473
721-842/001-000	519	722-112/026-000	455	722-145/005-000	487	722-240/005-000	487
721-862/001-000	521	722-114/026-000	455	722-145/031-000	475	722-240/005-000/039-000	487
721-863/001-000	521	722-116/026-000	455	722-145/039-000	474	722-240/031-000	475
721-863/001-040	525	722-120/026-000	455	722-145/047-000	476	722-240/039-000	473
721-864/001-000	521	722-132	473	722-146	473	722-240/047-000	476
721-864/001-040	525	722-132/005-000	487	722-146/005-000	487	722-241	473
721-865/001-000	521	722-132/005-000/039-000	488	722-146/005-000/039-000	488	722-241/005-000	487
721-865/001-040	525	722-132/031-000	475	722-146/031-000	475	722-241/005-000/039-000	487
721-866/001-000	521	722-132/039-000	474	722-146/039-000	474	722-241/031-000	475
721-867/001-000	521	722-132/047-000	476	722-146/047-000	476	722-241/039-000	473
721-868/001-000	521	722-133	473	722-150	473	722-241/047-000	476
721-869/001-000	521	722-133/005-000	487	722-150/005-000	487	722-242	473
721-870/001-000	521	722-133/005-000/039-000	488	722-150/005-000/039-000	488	722-242/005-000	487
721-871/001-000	521	722-133/031-000	475	722-150/031-000	475	722-242/005-000/039-000	487
721-872/001-000	521	722-133/039-000	474	722-150/039-000	474	722-242/031-000	475
721-2102/026-000	459	722-133/047-000	476	722-150/047-000	476	722-242/039-000	473
721-2102/037-000	459	722-134	473	722-202/026-000	455	722-242/047-000	476
721-2103/026-000	459	722-134/005-000	487	722-203/026-000	455	722-243	473
721-2103/037-000	459	722-134/005-000/039-000	488	722-204/026-000	455	722-243/005-000	487
721-2104/026-000	459	722-134/031-000	475	722-205/026-000	455	722-243/031-000	475
721-2104/037-000	459	722-134/039-000	474	722-206/026-000	455	722-243/039-000	473
721-2105/026-000	459	722-134/047-000	476	722-207/026-000	455	722-243/047-000	476
721-2105/037-000	459	722-135	473	722-208/026-000	455	722-244	473
721-2106/026-000	459	722-135/005-000	487	722-209/026-000	455	722-244/005-000	487
721-2106/037-000	459	722-135/005-000/039-000	488	722-210/026-000	455	722-244/005-000/039-000	487
721-2107/026-000	459	722-135/031-000	475	722-211/026-000	455	722-244/031-000	475
721-2107/037-000	459	722-135/039-000	474	722-212/026-000	455	722-244/039-000	473
721-2108/026-000	459	722-135/047-000	476	722-213/026-000	455	722-244/047-000	476
721-2108/037-000	459	722-136	473	722-214/026-000	455	722-245	473
721-2109/026-000	459	722-136/005-000	487	722-215/026-000	455	722-245/005-000	487
		722-136/005-000/039-000	488				

## Item Number Index

Item No.	Page	Item No.	Page	Item No.	Page	Item No.	Page
<b>722 Series</b>		<b>722 Series</b>		<b>730 Series</b>		<b>731 Series</b>	
722-245/031-000	475	722-837/039-000	513	730-103	809	731-538/031-000	647
722-245/039-000	473	722-837/047-000	516	730-106	813	731-539/008-000	648
722-245/047-000	476	722-838	513	730-113	811	731-539/031-000	647
722-246	473	722-838/031-000	515	730-116	815	731-540/008-000	648
722-246/005-000	487	722-838/039-000	513	730-123	809	731-540/031-000	647
722-246/005-000/039-000	487	722-838/047-000	516	730-126	813	731-541/008-000	648
722-246/031-000	475	722-839	513	<b>731 Series</b>		731-541/031-000	647
722-246/039-000	473	722-839/031-000	515	731-132	801	731-542/008-000	648
722-246/047-000	476	722-839/039-000	513	731-133	801	731-542/031-000	647
722-250	473	722-839/047-000	516	731-134	801	731-543/008-000	648
722-250/005-000	487	722-840	513	731-135	801	731-543/031-000	647
722-250/005-000/039-000	487	722-840/031-000	515	731-136/048-000	801	731-546/008-000	648
722-250/031-000	475	722-840/039-000	513	731-137/048-000	801	731-546/031-000	647
722-250/039-000	473	722-840/047-000	516	731-138/048-000	801	731-602	657
722-250/047-000	476	722-841	513	731-139/048-000	801	731-602/018-000	659
722-732	513	722-841/031-000	515	731-140/048-000	801	731-602/019-000	657
722-732/031-000	515	722-841/039-000	513	731-141/048-000	801	731-602/114-000	658
722-732/039-000	514	722-841/047-000	516	731-142/048-000	801	731-603	657
722-732/047-000	516	722-842	513	731-162	803	731-603/018-000	659
722-733	513	722-842/031-000	515	731-163	803	731-603/019-000	657
722-733/031-000	515	722-842/039-000	513	731-164	803	731-603/114-000	658
722-733/039-000	514	722-842/047-000	516	731-165	803	731-604	657
722-733/047-000	516	<b>723 Series</b>		731-166/048-000	803	731-604/018-000	659
722-734	513	723-602	505	731-167/048-000	803	731-604/019-000	657
722-734/031-000	515	723-602/018-000	506	731-168/048-000	803	731-604/114-000	658
722-734/039-000	514	723-602/019-000	505	731-169/048-000	803	731-605	657
722-734/047-000	516	723-602/114-000	505	731-170/048-000	803	731-605/018-000	659
722-735	513	723-603	505	731-171/048-000	803	731-605/019-000	657
722-735/031-000	515	723-603/000-042	509	731-172/048-000	803	731-605/114-000	658
722-735/039-000	514	723-603/018-000	506	731-502/008-000	556	731-606	657
722-735/047-000	516	723-603/018-042	510	731-502/031-000	555	731-606/018-000	659
722-736	513	723-603/019-000	505	731-503/008-000	556	731-606/019-000	657
722-736/031-000	515	723-603/019-042	509	731-503/031-000	555	731-606/114-000	658
722-736/039-000	514	723-603/114-000	505	731-504/008-000	556	731-607	657
722-736/047-000	516	723-603/114-042	509	731-504/031-000	555	731-607/018-000	659
722-737	513	723-604	505	731-504/031-000	555	731-607/019-000	657
722-737/031-000	515	723-604/000-042	509	731-505/008-000	556	731-607/114-000	658
722-737/039-000	514	723-604/018-000	506	731-505/031-000	555	731-608	657
722-737/047-000	516	723-604/018-042	510	731-506/008-000	556	731-608/018-000	659
722-738	513	723-604/019-000	505	731-506/031-000	555	731-608/019-000	657
722-738/031-000	515	723-604/019-042	509	731-507/008-000	556	731-608/114-000	658
722-738/039-000	514	723-604/019-042	509	731-507/031-000	555	731-609	657
722-738/047-000	516	723-604/114-000	505	731-508/008-000	556	731-609/018-000	659
722-739	513	723-604/114-042	509	731-508/031-000	555	731-609/019-000	657
722-739/031-000	515	723-605	505	731-509/008-000	556	731-609/114-000	658
722-739/039-000	514	723-605/000-042	509	731-509/031-000	555	731-610	657
722-739/047-000	516	723-605/018-000	506	731-510/008-000	556	731-610/018-000	659
722-740	513	723-605/018-042	510	731-510/031-000	555	731-610/019-000	657
722-740/031-000	515	723-605/019-000	505	731-511/008-000	556	731-610/114-000	658
722-740/039-000	514	723-605/019-042	509	731-511/031-000	555	731-611	657
722-740/047-000	516	723-605/114-000	505	731-512/008-000	556	731-611/018-000	659
722-741	513	723-605/114-042	509	731-512/031-000	555	731-611/019-000	657
722-741/031-000	515	723-606	505	731-513/008-000	556	731-611/114-000	658
722-741/039-000	514	723-606/018-000	506	731-513/031-000	555	731-612	657
722-741/047-000	516	723-606/019-000	505	731-514/008-000	556	731-612/018-000	659
722-742	513	723-606/114-000	505	731-514/031-000	555	731-612/019-000	657
722-742/031-000	515	723-607	505	731-515/008-000	556	731-612/114-000	658
722-742/039-000	514	723-607/018-000	506	731-515/031-000	555	731-613	657
722-742/047-000	516	723-607/019-000	505	731-516/008-000	556	731-613/018-000	659
722-832	513	723-607/114-000	505	731-516/031-000	555	731-613/019-000	657
722-832/031-000	515	723-608	505	731-517/008-000	556	731-613/114-000	658
722-832/039-000	513	723-608/018-000	506	731-517/031-000	555	731-616	657
722-832/047-000	516	723-608/019-000	505	731-518/008-000	556	731-616/018-000	659
722-833	513	723-608/114-000	505	731-518/031-000	555	731-616/019-000	657
722-833/031-000	515	723-609	505	731-519/008-000	556	731-616/114-000	658
722-833/039-000	513	723-609/018-000	506	731-519/031-000	555	731-632	697
722-833/047-000	516	723-609/019-000	505	731-520/008-000	556	731-632/018-000	699
722-834	513	723-609/114-000	505	731-520/031-000	555	731-632/019-000	697
722-834/031-000	515	723-610	505	731-532/008-000	648	731-632/114-000	698
722-834/039-000	513	723-610/018-000	506	731-532/031-000	647	731-633	697
722-834/047-000	516	723-610/019-000	505	731-533/008-000	648	731-633/018-000	699
722-835	513	723-610/114-000	505	731-533/031-000	647	731-633/019-000	697
722-835/031-000	515	723-611	505	731-534/008-000	648	731-633/114-000	698
722-835/039-000	513	723-611/018-000	506	731-534/031-000	647	731-634	697
722-835/047-000	516	723-611/019-000	505	731-535/008-000	648	731-634/018-000	699
722-836	513	723-611/114-000	505	731-535/031-000	647	731-634/019-000	697
722-836/031-000	515	723-612	505	731-536/008-000	648	731-634/114-000	698
722-836/039-000	513	723-612/018-000	506	731-536/031-000	647	731-635	697
722-836/047-000	516	723-612/019-000	505	731-537/008-000	648	731-635/018-000	699
722-837	513	723-612/114-000	505	731-537/031-000	647	731-635/019-000	697
722-837/031-000	515			731-538/008-000	648	731-635/114-000	698

Item No.	Page	Item No.	Page	Item No.	Page	Item No.	Page
<b>731 Series</b>		<b>733 Series</b>		<b>734 Series</b>		<b>734 Series</b>	
731-636	697	733-205	331	734-104/008-000	350	734-136/105-604	376
731-636/018-000	699	733-206	331	734-104/037-000	349	734-136/105-604/997-407	376
731-636/019-000	697	733-207	331	734-104/107-000	349	734-136/108-000	370
731-636/114-000	698	733-208	331	734-105	349	734-137	369
731-637	697	733-209	331	734-105/008-000	350	734-137/105-604	376
731-637/018-000	699	733-210	331	734-105/037-000	349	734-137/105-604/997-407	376
731-637/019-000	697	733-212	331	734-105/107-000	349	734-137/108-000	370
731-637/114-000	698	733-330	342	734-106	349	734-138	369
731-638	697	733-331	342	734-106/008-000	350	734-138/105-604	376
731-638/018-000	699	733-332	333	734-106/037-000	349	734-138/105-604/997-407	376
731-638/019-000	697	733-332/105-604	338	734-106/107-000	349	734-138/108-000	370
731-638/114-000	698	733-332/105-604/997-446	338	734-107	349	734-139	369
731-639	697	733-333	333	734-107/008-000	350	734-139/105-604	376
731-639/018-000	699	733-333/105-604	338	734-107/037-000	349	734-139/105-604/997-407	376
731-639/019-000	697	733-333/105-604/997-446	338	734-107/107-000	349	734-139/108-000	370
731-639/114-000	698	733-334	333	734-108	349	734-140	369
731-640	697	733-334/105-604	338	734-108/008-000	350	734-140/105-604	376
731-640/018-000	699	733-334/105-604/997-446	338	734-108/037-000	349	734-140/105-604/997-407	376
731-640/019-000	697	733-335	333	734-108/107-000	349	734-140/108-000	370
731-640/114-000	698	733-335/105-604	338	734-109	349	734-141	369
731-641	697	733-335/105-604/997-446	338	734-109/008-000	350	734-141/105-604	376
731-641/018-000	699	733-336	333	734-109/037-000	349	734-141/105-604/997-407	376
731-641/019-000	697	733-336/105-604	338	734-109/107-000	349	734-141/108-000	370
731-641/114-000	698	733-336/105-604/997-446	338	734-110	349	734-142	369
731-642	697	733-337	333	734-110/008-000	350	734-142/105-604	376
731-642/018-000	699	733-337/105-604	338	734-110/037-000	349	734-142/105-604/997-407	376
731-642/019-000	697	733-337/105-604/997-446	338	734-110/107-000	349	734-142/108-000	370
731-642/114-000	698	733-338	333	734-111	349	734-143	369
		733-338/105-604	338	734-111/008-000	350	734-143/108-000	370
		733-338/105-604/997-446	338	734-111/037-000	349	734-144	369
		733-339	333	734-111/107-000	349	734-144/105-604	376
		733-339/105-604	338	734-112	349	734-144/105-604/997-408	376
		733-339/105-604/997-446	338	734-112/008-000	350	734-144/108-000	370
		733-340	333	734-112/037-000	349	734-146	369
		733-340/105-604	338	734-112/107-000	349	734-146/105-604/997-408	376
		733-340/105-604/997-446	338	734-113	349	734-146/108-000	370
		733-342	333	734-113/008-000	350	734-148	369
		733-342/105-604	338	734-113/037-000	349	734-148/108-000	370
		733-342/105-604/997-446	338	734-113/107-000	349	734-150	369
		733-362	333	734-114	349	734-150/108-000	370
		733-362/105-604	337	734-114/008-000	350	734-154	369
		733-362/105-604/997-406	337	734-114/037-000	349	734-154/108-000	370
		733-363	333	734-114/107-000	349	734-159	408
		733-363/105-604	337	734-116	349	734-162	369
		733-363/105-604/997-406	337	734-116/008-000	350	734-162/105-604	375
		733-364	333	734-116/037-000	349	734-162/105-604/997-405	375
		733-364/105-604	337	734-116/107-000	349	734-162/108-000	370
		733-364/105-604/997-406	337	734-118	349	734-163	369
		733-365	333	734-118/008-000	350	734-163/105-604	375
		733-365/105-604	337	734-118/037-000	349	734-163/105-604/997-405	375
		733-365/105-604/997-406	337	734-118/107-000	349	734-163/108-000	370
		733-366	333	734-120	349	734-164	369
		733-366/105-604	337	734-120/008-000	350	734-164/105-604	375
		733-366/105-604/997-406	337	734-120/037-000	349	734-164/105-604/997-405	375
		733-367	333	734-120/107-000	349	734-164/108-000	370
		733-367/105-604	337	734-124	349	734-165	369
		733-367/105-604/997-406	337	734-124/008-000	350	734-165/105-604	375
		733-368	333	734-124/037-000	349	734-165/105-604/997-405	375
		733-368/105-604	337	734-124/107-000	349	734-165/108-000	370
		733-368/105-604/997-406	337	734-126	409	734-166	369
		733-369	333	734-127	343	734-166/105-604	375
		733-369/105-604	337	734-128	343	734-166/105-604/997-407	375
		733-369/105-604/997-406	337	734-129	343	734-166/108-000	370
		733-370	333	734-130	408	734-167	369
		733-370/105-604	337	734-132	369	734-167/105-604	375
		733-370/105-604/997-406	337	734-132/105-604	376	734-167/105-604/997-407	375
		733-372	333	734-132/105-604/997-405	376	734-167/108-000	370
		733-372/105-604	337	734-132/108-000	370	734-168	369
		733-372/105-604/997-406	337	734-133	369	734-168/105-604	375
				734-133/105-604	376	734-168/105-604/997-407	375
				734-133/105-604/997-405	376	734-168/108-000	370
				734-133/108-000	370	734-169	369
		<b>734 Series</b>		734-134	369	734-169/105-604	375
		734-102	349	734-134/105-604	376	734-169/105-604/997-407	375
		734-102/008-000	350	734-134/105-604/997-405	376	734-169/108-000	370
		734-102/037-000	349	734-134/108-000	370	734-170	369
		734-102/107-000	349	734-135	369	734-170/105-604	375
		734-103	349	734-135/105-604	376	734-170/105-604/997-407	375
		734-103/008-000	350	734-135/105-604/997-405	376	734-170/108-000	370
		734-103/037-000	349	734-135/108-000	370	734-171	369
		734-103/107-000	349	734-136	369	734-171/105-604	375
		734-104	349				

## Item Number Index

Item No.	Page	Item No.	Page	Item No.	Page	Item No.	Page
<b>734 Series</b>		<b>734 Series</b>		<b>734 Series</b>		<b>734 Series</b>	
734-171/105-604/997-407	375	734-234/105-604	400	734-307/109-000	357	734-345/019-000	387
734-171/108-000	370	734-234/105-604/997-405	400	734-308	357	734-346	387
734-172	369	734-235	395	734-308/018-000	358	734-346/018-000	388
734-172/105-604	375	734-235/105-604	400	734-308/019-000	357	734-346/019-000	387
734-172/105-604/997-407	375	734-235/105-604/997-407	400	734-308/109-000	357	734-348	387
734-172/108-000	370	734-236	395	734-309	357	734-348/018-000	388
734-173	369	734-236/105-604	400	734-309/018-000	358	734-348/019-000	387
734-173/108-000	370	734-236/105-604/997-407	400	734-309/019-000	357	734-349	387
734-174	369	734-238	395	734-309/109-000	357	734-349/018-000	388
734-174/105-604	375	734-238/105-604	400	734-310	357	734-349/019-000	387
734-174/105-604/997-408	375	734-238/105-604/997-407	400	734-310/018-000	358	734-350	387
734-174/108-000	370	734-239	395	734-310/019-000	357	734-350/018-000	388
734-176	369	734-239/105-604	400	734-310/109-000	357	734-350/019-000	387
734-176/105-604	375	734-240	395	734-311	357	734-362	361
734-176/105-604/997-408	375	734-240/105-604	400	734-311/018-000	358	734-362/008-000	362
734-176/108-000	370	734-240/105-604/997-407	400	734-311/019-000	357	734-362/037-000	361
734-178	369	734-242	395	734-311/109-000	357	734-363	361
734-178/108-000	370	734-242/105-604	400	734-312	357	734-363/008-000	362
734-180	369	734-242/105-604/997-408	400	734-312/018-000	358	734-363/037-000	361
734-180/108-000	370	734-244	395	734-312/019-000	357	734-364	361
734-184	369	734-245	395	734-312/109-000	357	734-364/008-000	362
734-184/108-000	370	734-246	395	734-313	357	734-364/037-000	361
734-190	406	734-248	395	734-313/018-000	358	734-365	361
734-202	379	734-249	395	734-313/019-000	357	734-365/008-000	362
734-202/008-000	380	734-250	395	734-313/109-000	357	734-365/037-000	361
734-202/037-000	379	734-262	395	734-314	357	734-366	361
734-203	379	734-262/105-604	399	734-314/018-000	358	734-366/008-000	362
734-203/008-000	380	734-262/105-604/997-405	399	734-314/019-000	357	734-366/037-000	361
734-203/037-000	379	734-263	395	734-314/109-000	357	734-367	361
734-204	379	734-263/105-604	399	734-316	357	734-367/008-000	362
734-204/008-000	380	734-263/105-604/997-405	399	734-316/018-000	358	734-367/037-000	361
734-204/037-000	379	734-264	395	734-316/019-000	357	734-368	361
734-205	379	734-264/105-604	399	734-316/109-000	357	734-368/008-000	362
734-205/008-000	380	734-264/105-604/997-405	399	734-318	357	734-368/037-000	361
734-205/037-000	379	734-265	395	734-318/018-000	358	734-369	361
734-206	379	734-265/105-604	399	734-318/019-000	357	734-369/008-000	362
734-206/008-000	380	734-265/105-604/997-407	399	734-318/109-000	357	734-369/037-000	361
734-206/037-000	379	734-266	395	734-320	357	734-370	361
734-208	379	734-266/105-604	399	734-320/018-000	358	734-370/008-000	362
734-208/008-000	380	734-266/105-604/997-407	399	734-320/019-000	357	734-370/037-000	361
734-208/037-000	379	734-268	395	734-320/109-000	357	734-371	361
734-209	379	734-268/105-604	399	734-324	357	734-371/008-000	362
734-209/008-000	380	734-268/105-604/997-407	399	734-324/018-000	358	734-371/037-000	361
734-209/037-000	379	734-269	395	734-324/019-000	357	734-372	361
734-210	379	734-269/105-604	399	734-324/109-000	357	734-372/008-000	362
734-210/008-000	380	734-269/105-604/997-407	399	734-326	539	734-372/037-000	361
734-210/037-000	379	734-270	395	734-327	539	734-400	408
734-212	379	734-270/105-604	399	734-328	539	734-402	369
734-212/008-000	380	734-270/105-604/997-407	399	734-329	539	734-402/001-000	370
734-212/037-000	379	734-272	395	734-332	387	734-403	369
734-214	379	734-272/105-604	399	734-332/018-000	388	734-403/001-000	370
734-214/008-000	380	734-272/105-604/997-408	399	734-332/019-000	387	734-404	369
734-214/037-000	379	734-274	395	734-333	387	734-404/001-000	370
734-215	379	734-275	395	734-333/018-000	388	734-405	369
734-215/008-000	380	734-276	395	734-333/019-000	387	734-405/001-000	370
734-215/037-000	379	734-278	395	734-334	387	734-406	369
734-216	379	734-279	395	734-334/018-000	388	734-406/001-000	370
734-216/008-000	380	734-280	395	734-334/019-000	387	734-407	369
734-216/037-000	379	734-302	357	734-335	387	734-407/001-000	370
734-218	379	734-302/018-000	358	734-335/018-000	388	734-408	369
734-218/008-000	380	734-302/019-000	357	734-335/019-000	387	734-408/001-000	370
734-218/037-000	379	734-302/109-000	357	734-336	387	734-409	369
734-219	379	734-303	357	734-336/018-000	388	734-409/001-000	370
734-219/008-000	380	734-303/018-000	358	734-336/019-000	387	734-410	369
734-219/037-000	379	734-303/019-000	357	734-338	387	734-410/001-000	370
734-220	379	734-303/109-000	357	734-338/018-000	388	734-412	369
734-220/008-000	380	734-304	357	734-338/019-000	387	734-412/001-000	370
734-220/037-000	379	734-304/018-000	358	734-339	387	734-420	407
734-226	409	734-304/019-000	357	734-339/018-000	388	734-426	409
734-227	409	734-304/109-000	357	734-339/019-000	387	734-427	539
734-228	409	734-305	357	734-340	387	734-428	409
734-229	409	734-305/018-000	358	734-340/018-000	388	734-429	539
734-230	406	734-305/019-000	357	734-340/019-000	387	734-430	539
734-231	406	734-305/109-000	357	734-342	387	734-431	539
734-232	395	734-306	357	734-342/018-000	388	734-432	395
734-232/105-604	400	734-306/018-000	358	734-342/019-000	387	734-432/001-000	396
734-232/105-604/997-405	400	734-306/019-000	357	734-344	387	734-433	395
734-233	395	734-306/109-000	357	734-344/018-000	388	734-433/001-000	396
734-233/105-604	400	734-307	357	734-344/019-000	387	734-434	395
734-233/105-604/997-405	400	734-307/018-000	358	734-345	387	734-434/001-000	396
734-234	395	734-307/019-000	357	734-345/018-000	388	734-435	395



Item No.	Page	Item No.	Page	Item No.	Page	Item No.	Page
<b>734 Series</b>		<b>734 Series</b>		<b>735 Series</b>		<b>736 Series</b>	
734-435/001-000	396	734-536	365	735-127	227	736-712	59
734-436	395	734-536/037-000	365	735-127/001-000	231	736-752	59
734-436/001-000	396	734-537	365	735-302	227	736-753	59
734-437	395	734-537/037-000	365	735-303	227	736-754	59
734-437/001-000	396	734-538	365	735-303/001-000	229	736-756	59
734-438	395	734-538/037-000	365	735-304	227	736-758	59
734-438/001-000	396	734-539	365	735-306	227	736-762	59
734-439	395	734-539/037-000	365	735-306/001-000	231	736-802	63
734-439/001-000	396	734-540	365	735-306/003-000	229	736-803	63
734-440	395	734-540/037-000	365	735-307	227	736-804	63
734-440/001-000	396	734-541	365	735-307/001-000	229	736-806	63
734-442	395	734-541/037-000	365	735-307/002-000	233	736-808	63
734-442/001-000	396	734-542	365	735-500	854	736-812	63
734-462	365	734-542/037-000	365			736-852	63
734-462/037-000	366	734-543	365			736-853	63
734-463	365	734-543/037-000	365	<b>736 Series</b>		736-854	63
734-463/037-000	366	734-544	365	736-102	57	736-856	63
734-464	365	734-544/037-000	365	736-103	57	736-858	63
734-464/037-000	366	734-546	365	736-104	57	736-862	63
734-465	365	734-546/037-000	365	736-106	57		
734-465/037-000	366	734-548	365	736-108	57		
734-466	365	734-548/037-000	365	736-112	57	<b>737 Series</b>	
734-466/037-000	366	734-550	365	736-116	57	737-102	65
734-467	365	734-550/037-000	365	736-124	57	737-103	65
734-467/037-000	366	734-554	365	736-202	57	737-104	65
734-468	365	734-554/037-000	365	736-203	57	737-106	65
734-468/037-000	366	734-562	391	736-204	57	737-108	65
734-469	365	734-562/037-000	391	736-206	57	737-112	65
734-469/037-000	366	734-563	391	736-208	57	737-116	65
734-470	365	734-563/037-000	391	736-212	57	737-124	65
734-470/037-000	366	734-564	391	736-216	57	737-202	65
734-471	365	734-564/037-000	391	736-224	57	737-203	65
734-471/037-000	366	734-565	391	736-302	61	737-204	65
734-472	365	734-565/037-000	391	736-303	61	737-206	65
734-472/037-000	366	734-566	391	736-304	61	737-208	65
734-473	365	734-566/037-000	391	736-306	61	737-212	65
734-473/037-000	366	734-568	391	736-308	61	737-216	65
734-474	365	734-568/037-000	391	736-312	61	737-224	65
734-474/037-000	366	734-569	391	736-316	61	737-302	69
734-476	365	734-569/037-000	391	736-324	61	737-303	69
734-476/037-000	366	734-570	391	736-402	61	737-304	69
734-478	365	734-570/037-000	391	736-403	61	737-306	69
734-478/037-000	366	734-572	391	736-404	61	737-308	69
734-480	365	734-572/037-000	391	736-406	61	737-312	69
734-480/037-000	366	734-574	391	736-408	61	737-316	69
734-484	365	734-574/037-000	391	736-412	61	737-324	69
734-484/037-000	366	734-575	391	736-416	61	737-402	69
734-502	391	734-575/037-000	391	736-424	61	737-403	69
734-502/037-000	392	734-576	391	736-502	58	737-404	69
734-503	391	734-576/037-000	391	736-503	58	737-406	69
734-503/037-000	392	734-580	391	736-504	58	737-408	69
734-504	391	734-580/037-000	391	736-506	58	737-412	69
734-504/037-000	392	734-602	410	736-508	58	737-416	69
734-505	391	734-603	410	736-512	58	737-424	69
734-505/037-000	392	734-604	410	736-516	58	737-502	66
734-506	391	734-605	410	736-552	58	737-503	66
734-506/037-000	392	734-606	410	736-553	58	737-504	66
734-508	391	734-607	410	736-554	58	737-506	66
734-508/037-000	392	734-608	410	736-556	58	737-508	66
734-509	391	734-609	410	736-558	58	737-512	66
734-509/037-000	392	734-610	410	736-562	58	737-516	66
734-510	391	734-611	410	736-566	58	737-552	66
734-510/037-000	392	734-612	410	736-602	62	737-553	66
734-512	391	734-632	410	736-603	62	737-554	66
734-512/037-000	392	734-633	410	736-604	62	737-556	66
734-514	391	734-634	410	736-606	62	737-558	66
734-514/037-000	392	734-635	410	736-608	62	737-562	66
734-515	391	734-636	410	736-612	62	737-566	66
734-515/037-000	392	734-638	410	736-616	62	737-602	70
734-516	391	734-639	410	736-652	62	737-603	70
734-516/037-000	392	734-640	410	736-653	62	737-604	70
734-520	391	734-642	410	736-654	62	737-606	70
734-520/037-000	392	734-671	407	736-656	62	737-608	70
734-532	365			736-658	62	737-612	70
734-532/037-000	365			736-662	62	737-616	70
734-533	365	<b>735 Series</b>		736-666	62	737-652	70
734-533/037-000	365	735-122	227	736-702	59	737-653	70
734-534	365	735-123	227	736-703	59	737-654	70
734-534/037-000	365	735-123/001-000	229	736-704	59	737-656	70
734-535	365	735-126	227	736-706	59	737-658	70
734-535/037-000	365	735-126/001-000	231	736-708	59	737-662	70



Item No.	Page	Item No.	Page	Item No.	Page	Item No.	Page
<b>744 Series</b>		<b>745 Series</b>		<b>745 Series</b>		<b>746 Series</b>	
744-307/364-000	223	745-358	49	745-1352	45	746-2302	143
744-308	224	745-359	49	745-1353	45	746-2303	143
744-308/364-000	223	745-360	49	745-1354	45	746-2304	143
744-310	224	745-362	49	745-1355	45	746-2305	143
744-310/364-000	223	745-380	253	745-1356	45	746-2306	143
744-392	224	745-381	253	745-1357	45	746-2307	143
744-392/364-000	223	745-382	253	745-1358	45	746-2308	143
		745-383	253	745-1359	45	746-2309	143
		745-384	253	745-1360	45	746-2310	143
		745-385	253	745-1362	45	746-2312	143
		745-390	253	745-1402	45		
		745-391	253	745-1403	45	<b>793 Series</b>	
		745-392	253	745-1404	45	793-472	831
		745-393	253	745-1405	45	793-501	830
		745-394	253	745-1406	45	793-501/000-002	830
		745-395	253	745-1407	45	793-501/000-005	830
		745-500	51	745-1408	45	793-501/000-006	830
		745-502/006-000	53	745-1409	45	793-501/000-007	830
		745-503/006-000	53	745-1410	45	793-501/000-012	830
		745-504/006-000	53	745-1412	45	793-501/000-017	830
		745-505/006-000	53	745-1452	45	793-501/000-023	830
		745-540	51	745-1453	45	793-501/000-024	830
		745-545	51	745-1454	45	793-502	831
		745-602/006-000	53	745-1455	45	793-503	831
		745-603/006-000	53	745-1456	45	793-504	831
		745-604/006-000	53	745-1457	45	793-505	831
		745-605/006-000	53	745-1458	45	793-506	831
		745-631	253	745-1459	45	793-507	831
		745-632	253	745-1460	45	793-508	831
		745-633	253	745-1462	45	793-509	831
		745-634	253	745-3100	35	793-510	831
		745-635	253	745-3102	38	793-511	831
		745-652/006-000	53	745-3103	38	793-512	831
		745-653/006-000	53	745-3104	38	793-513	831
		745-654/006-000	53	745-3105	38	793-514	831
		745-655/006-000	53	745-3106	38	793-515	831
		745-681	253	745-3107	38	793-516	831
		745-682	253	745-3108	38	793-517	831
		745-683	253	745-3109	38	793-565	831
		745-684	253	745-3110	38	793-566	831
		745-685	253	745-3111	38	793-569	831
		745-801	41	745-3112	38	793-570	831
		745-803	41	745-3138	35	793-571	831
		745-804	41	745-3152	38	793-572	831
		745-807	41	745-3153	38	793-573	831
		745-808	41	745-3154	38	793-5501	830
		745-811	41	745-3155	38	793-5501/000-002	830
		745-813	41	745-3156	38	793-5501/000-005	830
		745-814	41	745-3157	38	793-5501/000-006	830
		745-817	41	745-3158	38	793-5501/000-007	830
		745-818	41	745-3159	38	793-5501/000-012	830
		745-821	41	745-3160	38	793-5501/000-017	830
		745-823	41	745-3161	38	793-5501/000-023	830
		745-824	41	745-3162	38	793-5501/000-024	830
		745-827	41	745-3202	38		
		745-828	41	745-3203	38	<b>804 Series</b>	
		745-831	47	745-3204	38	804-102	189
		745-833	47	745-3205	38	804-103	189
		745-834	47	745-3206	38	804-104	189
		745-837	47	745-3207	38	804-105	189
		745-838	47	745-3208	38	804-106	189
		745-841	47	745-3209	38	804-107	189
		745-843	47	745-3210	38	804-108	189
		745-844	47	745-3211	38	804-109	189
		745-847	47	745-3212	38	804-110	189
		745-848	47	745-3252	39	804-111	189
		745-851/006-000	51	745-3253	39	804-112	189
		745-853/006-000	51	745-3254	39	804-113	189
		745-854/006-000	51	745-3255	39	804-114	189
		745-857/006-000	51	745-3256	39	804-115	189
		745-858/006-000	51	745-3257	39	804-116	189
		745-871/006-000	51	745-3258	39	804-302	189
		745-873/006-000	51	745-3259	39	804-303	189
		745-874/006-000	51	745-3260	39	804-304	189
		745-877/006-000	51	745-3261	39	804-305	189
		745-878/006-000	51	745-3262	39	804-306	189
		745-881/006-000	51	745-3801	35	804-307	189
		745-883/006-000	51	745-3803	35	804-308	189
		745-884/006-000	51	745-3804	35	804-309	189
		745-887/006-000	51	745-3808	35	804-310	189
		745-888/006-000	51			804-311	189

# Item Number Index

Item No.	Page	Item No.	Page	Item No.	Page	Item No.	Page
<b>804 Series</b>		<b>805 Series</b>		<b>826 Series</b>		<b>831 Series</b>	
804-312	189	805-319	185	826-155	773	831-3628	745
		805-320	185	826-156	773	831-3629	745
		805-321	185	826-157	773		
<b>805 Series</b>		805-322	185	826-158	773	<b>832 Series</b>	
805-102	186	805-323	185	826-158/000-006	773	832-500	755
805-103	186	805-324	185	826-158/000-016	773	832-1102	747
805-104	186	805-352	183	826-159	773	832-1102/037-000	747
805-105	186	805-353	183	826-160	773	832-1103	747
805-106	186	805-354	183	826-161	774	832-1103/037-000	747
805-107	186	805-355	183	826-162	774	832-1104	747
805-108	186	805-356	183	826-163	774	832-1104/037-000	747
805-109	186	805-357	183	826-164	774	832-1105	747
805-110	186	805-358	183	826-165	774	832-1105/037-000	747
805-111	186	805-359	183	826-166	774	832-1106	747
805-112	186	805-360	183	826-167	774	832-1106/037-000	747
805-113	186	805-361	183	826-168	774	832-1202	749
805-114	186	805-362	183	826-169	774	832-1203	749
805-115	186	805-363	183	826-170	774	832-1204	749
805-116	186	805-364	183	826-171	774	832-1205	749
805-117	186	805-365	183	826-172	774	832-1206	749
805-118	186	805-366	183			832-3602	751
805-119	186	805-367	183	<b>828 Series</b>		832-3603	751
805-120	186	805-368	183	828-334	787	832-3604	751
805-121	186	805-369	183			832-3605	751
805-122	186	805-370	183			832-3606	751
805-123	186	805-371	183	<b>831 Series</b>		832-3622	751
805-124	186	805-372	183	831-302	756	832-3623	751
805-152	183	805-373	183	831-303	756	832-3624	751
805-153	183	805-374	183	831-304	756	832-3625	751
805-154	183			831-305	756	832-3626	751
805-155	183	<b>806 Series</b>		831-321	756	832-3642	751
805-156	183	806-102	765	831-500	755	832-3643	751
805-157	183	806-103	765	831-503	754	832-3644	751
805-158	183	806-104	765	831-505	754	832-3645	751
805-159	183	806-105	765	831-506	754	832-3646	751
805-160	183	806-106	765	831-3102	741		
805-161	183	806-106	765	831-3102/037-000	741	<b>859 Series</b>	
805-162	183	806-107	765	831-3103	741	859-402	821
805-163	183	806-108	765	831-3103/037-000	741		
805-164	183	806-109	765	831-3104	741	<b>2009 Series</b>	
805-165	183	806-110	765	831-3104/037-000	741	2009-110/762-802	757
805-166	183	806-111	765	831-3105	741	2009-110/762-803	757
805-167	183	806-112	765	831-3105/037-000	741	2009-110/762-804	757
805-168	183	806-202	765	831-3106	741	2009-110/762-805	757
805-169	183	806-203	765	831-3106/037-000	741	2009-110/762-806	757
805-170	183	806-204	765	831-3107	741	2009-110/762-807	757
805-171	183	806-205	765	831-3107/037-000	741	2009-110/762-808	757
805-172	183	806-206	765	831-3108	741	2009-110/762-852	757
805-173	183	806-207	765	831-3108/037-000	741	2009-110/762-853	757
805-174	183	806-208	765	831-3109	741	2009-110/762-854	757
805-302	185	806-209	765	831-3109/037-000	741	2009-110/762-855	757
805-302/200-604	281	806-210	765	831-3202	743	2009-110/762-856	757
805-302/200-604/997-404	281	806-211	765	831-3202/007-000	743	2009-110/762-857	757
805-303	185	806-212	765	831-3203	743	2009-110/762-858	757
805-303/200-604	281	806-902	765	831-3203/007-000	743	2009-110/762-859	757
805-303/200-604/997-405	281	806-903	765	831-3204	743	2009-115	830
805-304	185	806-904	765	831-3204/007-000	743	2009-145	830
805-304/200-604	281	806-905	765	831-3205	743		
805-304/200-604/997-405	281	806-906	765	831-3205/007-000	743	<b>2059 Series</b>	
805-305	185	806-907	765	831-3206	743	2059-189	322
805-305/200-604	281	806-908	765	831-3206/007-000	743	2059-301/998-403	293
805-305/200-604/997-405	281	806-909	765	831-3207	743	2059-302/998-403	295
805-306	185	806-910	765	831-3207/007-000	743	2059-303/998-403	295
805-306/200-604	281	806-911	765	831-3208	743	2059-321/998-403	293
805-306/200-604/997-406	281	806-912	765	831-3208/007-000	743	2059-322/998-403	295
805-307	185			831-3209	743	2059-323/998-403	295
805-307/200-604	281	<b>816 Series</b>		831-3209/007-000	743	2059-901	317
805-307/200-604/997-406	281	816-102	141	831-3602	745	2059-901/018-000	317
805-308	185	816-103	141	831-3603	745	2059-901/021-000	317
805-308/200-604	281	816-104	141	831-3604	745	2059-902/018-000	317
805-308/200-604/997-406	281	816-105	141	831-3605	745	2059-902/021-000	317
805-309	185	816-106	141	831-3606	745	2059-903	317
805-310	185	816-107	141	831-3607	745	2059-903/018-000	317
805-311	185	816-108	141	831-3608	745	2059-903/021-000	317
805-312	185	816-109	141	831-3609	745		
805-313	185	816-110	141	831-3622	745	<b>2060 Series</b>	
805-314	185	816-111	141	831-3623	745	2060-189	289
805-315	185	816-112	141	831-3624	745		
805-316	185			831-3625	745		
805-317	185			831-3626	745		
805-318	185			831-3627	745		



# Item Number Index

Item No.	Page	Item No.	Page	Item No.	Page	Item No.	Page
<b>2231 Series</b>		<b>2231 Series</b>		<b>2604 Series</b>		<b>2624 Series</b>	
2231-315/026-000	615	2231-709/031-000	693	2604-3510	194	2624-1502	147
2231-315/031-000	616	2231-709/037-000	693	2604-3511	194	2624-1503	147
2231-315/037-000	615	2231-710/008-000	694	2604-3512	194	2624-1504	147
2231-315/102-000	615	2231-710/026-000	693			2624-1505	147
2231-315/107-000	616	2231-710/031-000	693			2624-1506	147
2231-316/008-000	616	2231-710/037-000	693			2624-1507	147
2231-316/026-000	615	2231-711/008-000	694	<b>2606 Series</b>		2624-1508	147
2231-316/031-000	616	2231-711/026-000	693	2606-1101	197	2624-1509	147
2231-316/037-000	615	2231-711/031-000	693	2606-1102/020-000	199	2624-1510	147
2231-316/102-000	615	2231-711/037-000	693	2606-1103/020-000	199	2624-1511	147
2231-316/107-000	616	2231-712/008-000	694	2606-1104/020-000	199	2624-1512	147
2231-317/008-000	616	2231-712/026-000	693	2606-1105/020-000	199	2624-3101	145
2231-317/026-000	615	2231-712/031-000	693	2606-1106/020-000	199	2624-3102	148
2231-317/031-000	616	2231-712/037-000	693	2606-1107/020-000	199	2624-3103	148
2231-317/037-000	615			2606-1108/020-000	199	2624-3104	148
2231-317/102-000	615	<b>2604 Series</b>		2606-1108/020-000	199	2624-3105	148
2231-318/008-000	616	2604-1101	191	2606-1109/020-000	199	2624-3106	148
2231-318/026-000	615	2604-1102	193	2606-1110/020-000	199	2624-3106	148
2231-318/031-000	616	2604-1103	193	2606-1111/020-000	199	2624-3107	148
2231-318/037-000	615	2604-1104	193	2606-3101	197	2624-3108	148
2231-318/102-000	615	2604-1105	193	2606-3102/020-000	199	2624-3109	148
2231-319/008-000	616	2604-1106	193	2606-3103/020-000	199	2624-3110	148
2231-319/026-000	615	2604-1107	193	2606-3104/020-000	199	2624-3111	148
2231-319/031-000	616	2604-1108	193	2606-3105/020-000	199	2624-3112	148
2231-319/037-000	615	2604-1109	193	2606-3106/020-000	199	2624-3302	148
2231-319/102-000	615	2604-1110	193	2606-3107/020-000	199	2624-3303	148
2231-320/008-000	616	2604-1111	193	2606-3108/020-000	199	2624-3304	148
2231-320/026-000	615	2604-1112	193	2606-3109/020-000	199	2624-3305	148
2231-320/031-000	616	2604-1302	193	2606-3110/020-000	199	2624-3306	148
2231-320/037-000	615	2604-1303	193	2606-3111/020-000	199	2624-3307	148
2231-320/102-000	615	2604-1304	193	2606-3112/020-000	199	2624-3308	148
2231-321/008-000	616	2604-1305	193			2624-3309	148
2231-321/026-000	615	2604-1306	193	<b>2616 Series</b>		2624-3310	148
2231-321/031-000	616	2604-1307	193	2616-1101	201	2624-3311	148
2231-321/037-000	615	2604-1308	193	2616-1102/020-000	203	2624-3312	148
2231-321/102-000	615	2604-1309	193	2616-1103/020-000	203	2624-3502	148
2231-322/008-000	616	2604-1310	193	2616-1104/020-000	203	2624-3503	148
2231-322/026-000	615	2604-1311	193	2616-1105/020-000	203	2624-3504	148
2231-322/031-000	616	2604-1312	193	2616-1106/020-000	203	2624-3505	148
2231-322/037-000	615	2604-1502	193	2616-1107/020-000	203	2624-3506	148
2231-322/102-000	615	2604-1503	193	2616-1108/020-000	203	2624-3507	148
2231-323/008-000	616	2604-1504	193	2616-1109/020-000	203	2624-3508	148
2231-323/026-000	615	2604-1505	193	2616-1110/020-000	203	2624-3509	148
2231-323/031-000	616	2604-1506	193	2616-1111/020-000	203	2624-3510	148
2231-323/037-000	615	2604-1507	193	2616-1112/020-000	203	2624-3511	148
2231-323/102-000	615	2604-1508	193	2616-3101	201	2624-3512	148
2231-324/008-000	616	2604-1509	193	2616-3102/020-000	203		
2231-324/026-000	615	2604-1510	193	2616-3103/020-000	203	<b>2626 Series</b>	
2231-324/031-000	616	2604-1511	193	2616-3104/020-000	203	2626-1101	151
2231-324/037-000	615	2604-1512	193	2616-3105/020-000	203	2626-1102/020-000	153
2231-324/102-000	615	2604-3101	191	2616-3106/020-000	203	2626-1103/020-000	153
2231-702/008-000	694	2604-3102	194	2616-3107/020-000	203	2626-1104/020-000	153
2231-702/026-000	693	2604-3103	194	2616-3108/020-000	203	2626-1105/020-000	153
2231-702/031-000	693	2604-3104	194	2616-3109/020-000	203	2626-1106/020-000	153
2231-702/037-000	693	2604-3105	194	2616-3110/020-000	203	2626-1107/020-000	153
2231-703/008-000	694	2604-3106	194	2616-3111/020-000	203	2626-1108/020-000	153
2231-703/026-000	693	2604-3107	194	2616-3112/020-000	203	2626-1109/020-000	153
2231-703/031-000	693	2604-3108	194			2626-1110/020-000	153
2231-703/037-000	693	2604-3109	194	<b>2624 Series</b>		2626-1111/020-000	153
2231-704/008-000	694	2604-3110	194	2624-1101	145	2626-1112/020-000	153
2231-704/026-000	693	2604-3111	194	2624-1102	147	2626-3101	151
2231-704/031-000	693	2604-3112	194	2624-1103	147	2626-3102/020-000	153
2231-704/037-000	693	2604-3302	194	2624-1104	147	2626-3103/020-000	153
2231-705/008-000	694	2604-3303	194	2624-1105	147	2626-3104/020-000	153
2231-705/026-000	693	2604-3304	194	2624-1106	147	2626-3105/020-000	153
2231-705/031-000	693	2604-3305	194	2624-1107	147	2626-3106/020-000	153
2231-705/037-000	693	2604-3306	194	2624-1108	147	2626-3107/020-000	153
2231-706/008-000	694	2604-3307	194	2624-1109	147	2626-3108/020-000	153
2231-706/026-000	693	2604-3308	194	2624-1110	147	2626-3109/020-000	153
2231-706/031-000	693	2604-3309	194	2624-1111	147	2626-3110/020-000	153
2231-706/037-000	693	2604-3310	194	2624-1112	147	2626-3111/020-000	153
2231-707/008-000	694	2604-3311	194	2624-1302	147	2626-3112/020-000	153
2231-707/026-000	693	2604-3312	194	2624-1303	147		
2231-707/031-000	693	2604-3502	194	2624-1304	147	<b>2636 Series</b>	
2231-707/037-000	693	2604-3503	194	2624-1305	147	2636-1101	155
2231-708/008-000	694	2604-3504	194	2624-1306	147	2636-1102/020-000	157
2231-708/026-000	693	2604-3505	194	2624-1307	147	2636-1103/020-000	157
2231-708/031-000	693	2604-3506	194	2624-1308	147	2636-1104/020-000	157
2231-708/037-000	693	2604-3507	194	2624-1309	147	2636-1105/020-000	157
2231-709/008-000	694	2604-3508	194	2624-1310	147	2636-1106/020-000	157
2231-709/026-000	693	2604-3509	194	2624-1311	147	2636-1107/020-000	157
				2624-1312	147		

Item No.	Page	Item No.	Page	Item No.	Page	Item No.	Page
<b>2636 Series</b>		<b>2716 Series</b>		<b>2721 Series</b>		<b>2734 Series</b>	
2636-1108/020-000	157	2716-105	137	2721-116/031-000	461	2734-109/031-000	354
2636-1109/020-000	157	2716-106	137	2721-116/037-000	461	2734-109/037-000	353
2636-1110/020-000	157	2716-107	137	2721-120/008-000	462	2734-109/107-000	353
2636-1111/020-000	157	2716-108	137	2721-120/026-000	461	2734-110	353
2636-1112/020-000	157	2716-152	139	2721-120/031-000	461	2734-110/027-000	354
2636-3101	155	2716-153	139	2721-120/037-000	461	2734-110/037-000	353
2636-3102/020-000	157	2716-154	139	2721-202/008-000	502	2734-110/107-000	353
2636-3103/020-000	157	2716-155	139	2721-202/026-000	501	2734-111	353
2636-3104/020-000	157	2716-156	139	2721-202/031-000	501	2734-111/027-000	354
2636-3105/020-000	157	2716-157	139	2721-202/037-000	501	2734-111/037-000	353
2636-3106/020-000	157	2716-158	139	2721-203/008-000	502	2734-111/107-000	353
2636-3107/020-000	157	2716-202	137	2721-203/026-000	501	2734-112	353
2636-3108/020-000	157	2716-203	137	2721-203/031-000	501	2734-112/027-000	354
2636-3109/020-000	157	2716-204	137	2721-203/037-000	501	2734-112/031-000	354
2636-3110/020-000	157	2716-205	137	2721-204/008-000	502	2734-112/037-000	353
2636-3111/020-000	157	2716-206	137	2721-204/026-000	501	2734-112/107-000	353
2636-3112/020-000	157	2716-207	137	2721-204/031-000	501	2734-113	353
		2716-208	137	2721-204/037-000	501	2734-113/027-000	354
		2716-252	139	2721-205/008-000	502	2734-113/037-000	353
		2716-253	139	2721-205/026-000	501	2734-113/107-000	353
		2716-254	139	2721-205/031-000	501	2734-114	353
		2716-255	139	2721-205/037-000	501	2734-114/027-000	354
		2716-256	139	2721-206/008-000	502	2734-114/037-000	353
		2716-257	139	2721-206/026-000	501	2734-114/107-000	353
		2716-258	139	2721-206/031-000	501	2734-116	353
				2721-206/037-000	501	2734-116/027-000	354
				2721-207/008-000	502	2734-116/037-000	353
				2721-207/026-000	501	2734-116/107-000	353
				2721-207/031-000	501	2734-118	353
				2721-207/037-000	501	2734-118/027-000	354
				2721-208/008-000	502	2734-118/037-000	353
				2721-208/026-000	501	2734-118/107-000	353
				2721-208/031-000	501	2734-120	353
				2721-208/037-000	501	2734-120/027-000	354
				2721-209/008-000	502	2734-120/037-000	353
				2721-209/026-000	501	2734-120/107-000	353
				2721-209/031-000	501	2734-124	353
				2721-209/037-000	501	2734-124/027-000	354
				2721-210/008-000	502	2734-124/037-000	353
				2721-210/026-000	501	2734-124/107-000	353
				2721-210/031-000	501	2734-202	383
				2721-210/037-000	501	2734-202/031-000	383
				2721-211/008-000	502	2734-202/037-000	383
				2721-211/026-000	501	2734-203	383
				2721-211/031-000	501	2734-203/031-000	383
				2721-211/037-000	501	2734-203/037-000	383
				2721-212/008-000	502	2734-204	383
				2721-212/026-000	501	2734-204/031-000	383
				2721-212/031-000	501	2734-204/037-000	383
				2721-212/037-000	501	2734-205	383
						2734-205/031-000	383
						2734-205/037-000	383
						2734-206	383
						2734-206/031-000	383
						2734-206/037-000	383
						2734-208	383
						2734-208/031-000	383
						2734-208/037-000	383
						2734-209	383
						2734-209/031-000	383
						2734-209/037-000	383
						2734-210	383
						2734-210/027-000	384
						2734-210/031-000	383
						2734-210/037-000	383
						2734-212	383
						2734-212/027-000	384
						2734-212/031-000	383
						2734-212/037-000	383
						2734-214	383
						2734-214/027-000	384
						2734-214/031-000	383
						2734-214/037-000	383
						2734-215	383
						2734-215/027-000	384
						2734-215/037-000	383
						2734-216	383
						2734-216/027-000	384
						2734-216/031-000	383
						2734-216/037-000	383
						2734-218	383
<b>2706 Series</b>		<b>2721 Series</b>		<b>2734 Series</b>			
2706-102	133	2721-102/008-000	462	2734-102	353		
2706-103	133	2721-102/026-000	461	2734-102/031-000	354		
2706-104	133	2721-102/031-000	461	2734-102/037-000	353		
2706-105	133	2721-102/037-000	461	2734-102/107-000	353		
2706-106	133	2721-103/008-000	462	2734-103	353		
2706-107	133	2721-103/026-000	461	2734-103/031-000	354		
2706-108	133	2721-103/031-000	461	2734-103/037-000	353		
2706-109	133	2721-103/037-000	461	2734-103/107-000	353		
2706-110	133	2721-104/008-000	462	2734-104	353		
2706-111	133	2721-104/026-000	461	2734-104/031-000	354		
2706-112	133	2721-104/031-000	461	2734-104/037-000	353		
2706-152	135	2721-104/037-000	461	2734-104/107-000	353		
2706-153	135	2721-105/008-000	462	2734-105	353		
2706-154	135	2721-105/026-000	461	2734-105/031-000	354		
2706-155	135	2721-105/031-000	461	2734-105/037-000	353		
2706-156	135	2721-105/037-000	461	2734-105/107-000	353		
2706-157	135	2721-106/008-000	462	2734-106	353		
2706-158	135	2721-106/026-000	461	2734-106/031-000	354		
2706-159	135	2721-106/031-000	461	2734-106/037-000	353		
2706-160	135	2721-106/037-000	461	2734-106/107-000	353		
2706-161	135	2721-107/008-000	462	2734-107	353		
2706-162	135	2721-107/026-000	461	2734-107/031-000	354		
2706-202	133	2721-107/031-000	461	2734-107/037-000	353		
2706-203	133	2721-107/037-000	461	2734-107/107-000	353		
2706-204	133	2721-108/008-000	462	2734-108	353		
2706-205	133	2721-108/026-000	461	2734-108/031-000	354		
2706-206	133	2721-108/031-000	461	2734-108/037-000	353		
2706-207	133	2721-108/037-000	461	2734-108/107-000	353		
2706-208	133	2721-109/008-000	462	2734-109	353		
2706-209	133	2721-109/026-000	461				
2706-210	133	2721-109/031-000	461				
2706-211	133	2721-109/037-000	461				
2706-212	133	2721-109/037-000	461				
2706-252	135	2721-110/008-000	462				
2706-253	135	2721-110/026-000	461				
2706-254	135	2721-110/031-000	461				
2706-255	135	2721-110/037-000	461				
2706-256	135	2721-111/008-000	462				
2706-257	135	2721-111/026-000	461				
2706-258	135	2721-111/037-000	461				
2706-259	135	2721-111/037-000	461				
2706-260	135	2721-112/008-000	462				
2706-261	135	2721-112/026-000	461				
2706-262	135	2721-112/031-000	461				
2706-302	133	2721-112/037-000	461				
2706-303	133	2721-113/026-000	461				
2706-304	133	2721-114/008-000	462				
2706-305	133	2721-114/026-000	461				
2706-306	133	2721-114/031-000	461				
2706-307	133	2721-114/037-000	461				
2706-308	133	2721-115/008-000	462				
2706-309	133	2721-115/026-000	461				
2706-310	133	2721-115/037-000	461				
2706-311	133	2721-116/008-000	462				
2706-312	1						





Item No.	Page	Item No.	Page	Item No.	Page	Item No.	Page

# WAGO Worldwide

## Companies and Representatives

- Algeria**  
please contact WAGO France
- Argentina**  
Bruno Schillig S.A.  
Arenales 4030, B1604CFD  
Florida, PBA  
Phone +54 11 4730 1100  
Fax +54 11 4761 7244  
wago@schillig.com.ar
- Armenia**  
ROOT ITSP LLC  
33 Halabyan str.  
0038, Yerevan  
info@root.am
- Australia**  
WAGO Pty. Ltd.  
2-4 Overseas Drive  
Noble Park Victoria 3174  
Phone +61 03 8791 6300  
Fax +61 03 9701 0177  
sales.anz@wago.com
- NHP ELECTRICAL ENGINEERING PRODUCTS PTY LTD**  
43-67 River Street  
Richmond, Victoria, 3121  
P.O. Box 199  
Phone +61 3 9429 2999  
Fax +61 3 9429 1075  
export@wago.com
- Austria**  
WAGO Kontakttechnik Ges.m.b.H.  
Europaring F15 602  
Campus 21  
2345 Brunn am Gebirge  
Phone +43 1 6150780  
Fax +43 1 6150775  
wago-at@wago.com
- Azerbaijan**  
AZ Technics LTD  
Zulfi V. Alizade  
Y.Safarov str.33, AZ1025,  
Baku  
Phone +994 50 210 24 49  
Fax +994 12 496 83 34  
info@AZtechnics.az
- Bangladesh**  
please contact WAGO India
- Belarus**  
DemsEnergO LLC  
Smolyachkova Str. 16, Office 2  
220005 Minsk  
Phone: +375 17 2102189  
Fax: +375 17 2102189  
dems@dems.by
- ATAVA Techno Ltd.**  
Ul. Denisovskaya 47, Office 1  
220006 Minsk  
Phone: +375173881018  
atava@atava.by
- Belgium**  
WAGO BeLux nv  
Excelsiorlaan 11  
1930 Zaventem  
Phone +32 2 717 9090  
Fax +32 2 717 9099  
info-be@wago.com
- Bolivia**  
ISOTEK S.R.L.  
Zona Casco Viejo  
Calle Isso #578, B/San Roque  
Santa Cruz  
Phone +591 721 000 27  
info@isotek.bo
- Bosnia & Herzegovina**  
please contact WAGO Bulgaria
- AM-ELEKTRIK doo**  
Dzemala Blijedica 160F  
71000 Sarajevo  
Phone +38762 59 99 54  
Fax +38733 92 23 89  
info@amelektrik.com  
www.am-elektrik.com
- Brazil**  
WAGO Eletroeletrônicos Ltda  
Rua Tripoli, 640, Lotamento Multivias II  
Jardim Ermida I  
Jundiá - SP  
CEP 13212-217  
Phone +55 (11) 2923 7200  
info.br@wago.com
- Bulgaria**  
WAGO Kontakttechnik GmbH & Co. KG  
Representative Office Sofia  
Business Center Serdika  
2E Akad. Ivan Geshov Blvd.  
Building 1, Floor 4, Office 417  
1330 Sofia  
Phone +359 2 489 46 09/10  
Fax +359 2 928 28 50  
info-BG@wago.com
- Canada**  
WAGO Canada, Inc.  
1550 Yorkton Court - Unit 1  
Burlington, ON L7P 5B7  
Phone +1-888-9246-221  
info.ca@wago.com
- Chile**  
Desimat Chile  
Av Puerto Vespuccio 9670  
Pudahuel Santiago  
Phone +56 2 747 0152  
Fax +56 2 747 0153  
ventaschile@desimat.cl
- China**  
WAGO Electronic (Tianjin) Co., Ltd.  
No.5, Quan Hui Road  
Wuqing Development Area  
Tianjin 301700  
Phone +86 22 5967 7688  
Fax +86 22 5961 7668  
info-cn@wago.com
- Colombia**  
T.H.L. Ltda.  
Cra. 49 B # 91-33  
Bogotá  
Phone +57 1 621 85 50  
Fax +57 1 621 60 28  
ventas-thl2@thl.com.co
- Croatia**  
M.B.A. d.o.o.  
Frana Supila 5  
51211 Matulji  
Phone +385 51 275-736  
Fax +385 51 275-066  
mba@ri.htnet.hr
- MICROSTAR d.o.o.**  
Siget 18 b  
10020 Zagreb  
Phone +385 1 3647 849  
Fax +385 1 3636 662  
wago@microstar.hr
- Czech Republic**  
WAGO Elektro spol. sr. o.  
Rozvodova 1116/36  
143 00 Praha 4 - Modřany  
Phone +420 261 090 143  
Fax +420 261 090 144  
info.cz@wago.com  
wago-cz@wago.com
- Denmark**  
WAGO Denmark A/S  
Lejrvej 17  
3500 Værløse  
Phone +45 44 357 777  
info.dk@wago.com
- Ecuador**  
ECUAINSETEC CIA LTDA  
Yugoslavia N34-110 y Azuay  
Quito  
Phone +593 2 24 50 475  
Fax +593 2 22 51 242  
g.castro@ecuainsetec.com.ec
- Egypt**  
KENANA Automation / System Integrator  
(Water & Waste Water)  
2 Building 10, Block 31  
Ibrahim Shehata Street  
Nasr City  
Cairo, Egypt  
Phone +2 01 02899 3434  
Fax +2 02 357 3353  
mohamed.bahgat@kenanaeg.com
- IBN Engineering / Distributor (Automation Products)**  
Phone +2 02 3721 4350  
Fax +2 02 3722 1709  
nasrelwy@ibnengineering.com
- Barkouky Electric / System Integrator (Building Management)**  
Phone +2 02 2269 1192  
Fax +2 02 2269 1193  
ahmed@barkouky.com.eg
- Misc (Interconnection & Interface Products)**  
Phone +202 226 80994/7  
Fax +202 226 79469  
sales@miscegypt.com
- Estonia**  
Eltarko OÜ  
Trealitee tee 2 door 6  
Peetri küla  
Rae vald  
75312 Harjumaa  
Phone +372 651 7731  
Fax +372 651 7786  
andres@eltarko.ee
- Finland**  
WAGO Finland Oy  
Perintötie 2 C  
01510 Vantaa  
Phone +358 9 7744 060  
Fax +358 9 7744 0660  
tilaus@wago.fi
- France**  
WAGO Contact SAS  
Paris Nord 2  
83 Rue des Chardonnerets  
93290 - Tremblay en France  
B.P. 95947 - ROISSY CDG CEDEX  
Phone +33 1 4817 2590  
Fax +33 1 4863 2520  
info-fr@wago.com
- Germany**  
WAGO Kontakttechnik GmbH & Co. KG  
Hansastraße 27  
32423 Minden  
Phone +49 571 887-0  
Fax +49 571 887-169  
info@wago.com
- WAGO Kontakttechnik GmbH & Co. KG**  
Waldstraße 1  
99706 Sondershausen  
Phone +49 3632 659-0  
Fax +49 3632 659-100  
info@wago.com
- Great Britain**  
WAGO Limited  
Triton Park, Swift Valley Industrial Estate  
RUGBY  
Warwickshire, CV21 1SG  
Phone +44 1788 568 008  
Fax +44 1788 568 050  
uksales@wago.com
- Greece**  
PANAGIOTIS SP. DIMOULAS  
DIMOULAS AUTOMATIONS  
Kritis Str. 26  
10439 Athens  
Phone +30 210 883 3337  
Fax +30 210 883 4436  
wago.info@dimoulas.com.gr
- Honduras**  
CILASAS S.A. de C.V.  
Barrio Los Andes  
7 Calle entre 14 y 15 Ave. N.O.  
P.O. Box. 1061  
San Pedro Sula  
Phone +504 2557 1146/7  
Fax +504 2557 1149  
ventas@iecilasa.com
- Hong Kong**  
National Concord Eng., Ltd.  
Unit A-B, 5/F,  
Southeast Industrial Building  
611-619 Castle Peak Road  
Tsuen Wan, N.T.  
Phone +852 2429 2611  
Fax +852 2429 2164  
sales@nce.com.hk
- Hungary**  
WAGO Hungária KFT  
Ipari Park, Gyár u. 2  
2040 Budapest  
Phone +36 23 502-170  
Fax +36 23 502-166  
info.hu@wago.com
- Iceland**  
S. Gudjonsson ehf.  
Smidjuvegur 3  
200 Kopavogur  
Phone +354 520-4500  
Fax +354 520-4501  
export@wago.com
- India**  
WAGO Private Limited  
C-27, Sector-58, Phase-III  
Noida-201 301  
Gautam Budh Nagar (U.P)  
Phone +91 120 438 8700  
Fax +91 120 438 8799  
info.india@wago.com
- Indonesia**  
please contact WAGO Singapore
- Irak**  
please contact WAGO Middle East
- Ireland**  
Drives & Controls  
Unit F4, Riverview Business Park  
Nangor Road  
Dublin 12  
Phone +353 1 4604474  
Fax +353 1 4604507  
info@drivesandcontrols.ie
- Israel**  
Comtel Israel Electronic Solutions Ltd.  
Bet Hapaamon  
20 Hataas Street  
P.O. Box 66  
44425 Kefar-Saba  
Phone +972 9 76 77 240  
Fax +972 9 76 77 243  
sales@comPhoneco.il
- Italy**  
WAGO Elettronica SRL a Socio Unico  
Via Parini 1  
40033 Casalecchio di Reno (BO)  
Phone +39 051 6132112  
Fax +39 051 6272174  
info-ita@wago.com
- Japan**  
WAGO Co. of JAPAN Ltd.  
Kinsicho Prime Tower  
1-5-7, Kameido, Koto-ku  
Tokyo 136-0071  
Phone +81 3 5627 2050  
Fax +81 3 5627 2055  
info-jp@wago.com
- Jordan**  
Oxgen for Engineering Systems Co. L.L.C  
P.O Box: 2154 Amman  
11953 Jordan  
Phone +962 79 9 860 869  
Fax +962 655 211 89  
info@oxgn-grp.com
- Kazakhstan**  
Axima LLP  
232/2, Ryskulov avenue  
050061 Almaty  
Phone +7 727 356 52 91/92/93  
Fax +7 727 327 14 92/93  
trade1@axima.kz  
or@axima.kz
- TOO Technik-Trade**  
ul. i. A. Protosanova, 81  
070004 Ust-Kamenogorsk  
Phone +7 7232 254 064  
Fax +7 7232 253 251  
info@technik.kz
- Nova Solut LLC (System Integrator)**  
050042, The Republic Of Kazakhstan,  
Almaty city, Toktabayeva 23, #10  
Phone +7 777 206 04 76  
director@novasolut.kz  
tech@novasolut.kz
- Korea**  
WAGO Korea Co., Ltd.  
Room 205 AnyangMegaValley,  
268, Haqui-ro, Dongan-gu, Anyang-si,  
Gyeonggi-do, 14056, South Korea  
Phone +82 31 421 9500  
info.korea@wago.com
- Kosovo**  
please contact WAGO Bulgaria
- Latvia**  
INSTABALT LATVIA VIA  
Vestienas iela 6  
Riga, LV-1035  
Phone +371 6790 1188  
Fax +371 6790 1180  
info@instabalt.lv
- Lebanon**  
Gemayel Trading & Contracting  
Rue 55, Antonins Project-Bloc L  
P.O. BOX 70-1096  
Antelias, Lebanon  
Phone +961 3 22 30 29  
Fax +961 4 52 10 29  
info@gtclb.com
- Lithuania**  
INSTABALT LIT UAB  
Savanorių 187  
Vilnius, 2053  
Phone +370 52 322 295  
Fax +370 52 322 247  
info@instabalt.lt
- Luxembourg**  
please contact WAGO Belgium

**Malaysia**

WAGO Representative Office Malaysia  
No 806, Block A4, Leisure Commerce Square,  
No 9, Jalan PJS 8/9, 46150 Petaling Jaya,  
Selangor Darul Ehsan, Malaysia  
Phone +60 3 7877 1776  
Fax +60 3 7877 2776  
kian.guan.tan@wago.com

HPH Materials (M) Sdn Bhd  
No. 4, Jalan Nilam 1/6  
Suban Hi-Tech Industrial Park  
40000 Shah Alam  
Selangor, D.E. Malaysia  
Phone +60 3 5638 2213  
Fax +60 3 5638 8213  
info@hphmaterials.com

**Macedonia**

please contact WAGO Bulgaria

Kompjuner Inzenering  
Vladimir Komarov 1A-3/9  
1000 Skopje  
Phone +389 2 521 12 00

**Maledives**

please contact WAGO India

**Mexico**

WAGO SA de CV  
Carretera estatal 431 Km. 2+200  
Lote 99 Módulo 6  
Parque Industrial Tecnológico Innovsciön  
Querétaro  
El Marqués, Qro. 76246  
Phone +52 442 221 5946  
Fax +52 442 221 5063  
info.mx@wago.com

**Moldova**

Smart Delight SRL  
Bulgara Str. 9/6  
2001 Chisinau  
Moldau  
Phone +373 (373) 69 10 22 01  
alexandres@starnet.md

**Morocco**

Automatisme & Connection Maroc  
23, Rue Boured  
2ème étage, appt4  
Roche Noire  
20300 Casablanca  
Phone +212 522 24 21 72/73  
Fax +212 522 24 21 75  
info-fr@wago.com

**Nepal**

please contact WAGO India

**Netherlands**

WAGO Nederland BV.  
Laan van de Ram 19  
7234 BW APELDOORN  
Phone +31 55 36 83 500  
Fax +31 55 36 83 599  
info-nl@wago.com

**New Zealand**

please contact WAGO Australia

NHP NZ  
7 Lockhart Place  
Mt Wellington  
Phone +64 9 2761967  
Fax +64 9 2761992  
export@wago.com

**Nigeria**

GIL Automations Ltd.  
Daily Times Complex  
2 Lateef Jakande Rd., Agidingbi  
100271 Ikeja, Lagos State  
Phone +234 17132672335  
sales@gilautomation.com

**Norway**

WAGO Norge AS  
Jerikveien 20  
1067 Oslo  
Phone +47 22 30 94 50  
Fax +47 22 30 94 51  
info.no@wago.com

**Oman**

please contact WAGO Middle East

**Pakistan**

FuziLogiX Automation & Control  
Suit No. 14, 5th Floor, Shan Arcade  
New Garden Town, Lahore  
Phone +92 42 594 1503 - 4  
Fax +92 42 585 1431  
info@fuzilogix.com

**Pakistan**

S.A. Hamid & Co.  
7 Brandreth Road  
Lahore, 54000  
Phone +92 42 376 500 99  
Fax +92 42 376 513 91  
sales@sahamid.com

**Paraguay**

AESA  
Av. Madame Lynch  
c/Antolin Irala  
2309 Asunción  
Phone +59 521674524  
info@aesa.com.py

**Peru**

Manufacturas Eléctricas S.A.  
Av O.R. Benavides 1215  
15000 Lima  
Phone +511 6196200  
Fax +511 6196247  
ventas@manelsa.com.pe

**Philippines**

please contact WAGO Singapore

**Poland**

WAGO ELWAG sp. z o. o.  
ul. Piękna 58 a  
50-506 Wrocław  
Phone +48 71 3602970  
Fax +48 71 3602999  
wago.elwag@wago.com

**Portugal**

MORGADO & CA. LDA - SEDE  
Estrada Exterior da  
Circunvalação 3558/3560  
Apartado 1057  
4435 Rio Tinto  
Phone +351 22 9770600  
Fax +351 22 9770699  
geral@morgadocl.pt

**Quatar**

GEBD - Gulf European Business  
Development - Company W.L.L.)  
PO Box: 20 000  
Doha, Quatar  
Phone +974 5591 5682  
info@gebdc.com

**Romania**

WAGO Kontakttechnik GmbH & Co. KG  
Representative Office Romania  
Sos. Pipera-Tunari nr. 1/1  
building 1, 2nd floor  
077190 Voluntari, Ilfov  
Phone +40-(0)31 421 85 68  
info-RO@wago.com

**VDR & Servicii srl**

Str. Valeriu Braniște, nr. 60, ap.1,  
sector 3  
Phone +40 21 322 5074/76  
Fax +40 21 322 5075  
office@componente-automatizari.ro

**Russia**

OOO WAGO Contact Rus  
Ilmskaya strett 5, bldg. 2  
127576 Moscow  
Phone +7 495 223-4747  
info.ru@wago.com  
www.wago.ru

**OOO Prosoft**

ul. Profsoznaya, 108  
117437 Moscow  
Phone +7 495 2340636  
Fax +7 495 2340640  
info@prosoft.ru

**Saudi Arabia**

Saudi Electronic Trading  
P.O. Box 60712  
Riyadh 11555  
Phone +966 11 2063 377  
Fax +966 11 4633 297  
info@setra.com.sa

**Serbia**

please contact WAGO Bulgaria

Mehatronik Sistem d.o.o.  
Bul. Oslobođenja 30  
32000 Cacak  
Phone +381 (0)32 310 088  
Fax +381 (0)32 371 571  
Mobil +381 (0)64 877 22 02  
office@mehatronik.com

Sigma Controls Engineering doo  
Jovana Skerlica 22  
18000 Nis  
Mobil +381 (0)63 403 104  
wago@sce.rs  
www.sce.rs

**Singapore**

WAGO Electronic Pte Ltd  
138 Joo Seng Road #06-01  
Singapore 368361  
Phone +65 62866776  
Fax +65 62842425  
info-sing@wago.com  
www.wago.sg

**Slovakia**

Proelektro spol. s r.o.  
Na barine 22  
841 03 Bratislava - Lamač  
Phone +421 2 4569 2503  
info@wago.sk

**Slovenia**

IC elektronika d.o.o.  
Vodovodna cesta 100  
1000 Ljubljana  
Phone: +386 1568 01 26  
Fax: +386 1568 91 07  
info@ic-elect.si

**South Africa**

Shorrock Automation CC  
Nellmapius drive  
5 Regency Drive, Route 21 Corp. Park  
0051 Centurion  
Phone +27 12 4500300  
Fax +27 12 4500322  
sales@shorrock.co.za

**Spain**

DICOMAT S.L.  
Avda. de la Industria, 36  
Apartado Correos, 1.178  
28108-Alcobendas (Madrid)  
Phone +34 91 662 1362  
Fax +34 91 661 0089  
info@dicomat-asetyc.com

**Sri Lanka**

please contact WAGO India

**Sweden**

WAGO Sverige AB  
Box 11127, 161 11 BROMMA  
Besöksadress: Adolfsbergsv. 31  
Phone +46 858410680  
info.se@wago.com

**Switzerland**

WAGO CONTACT SA  
Rte. de l'Industrie 19  
Case Postale 168  
1564 Domdidier  
Phone +41/26 676 75 00  
Fax +41/26 676 75 01  
info.switzerland@wago.com

**Syria**

Zahabi Co.  
8/5 Shouhadaa St., P.O. Box 8262  
Aleppo  
Phone +963 21 21 22 235 / 6  
Fax +963 21 21 22 23 7  
info.uae@wago.com

**Taiwan R.O.C.**

WAGO Contact, Ltd.  
5F., No.168, Jiankang Rd  
Zhonghe City  
Taipei County 23585, Taiwan  
Phone +886 2 2225 0123  
Fax +886 2 2225 1511  
info.taiwan@wago.com

**Thailand**

WAGO Representative Office Thailand  
4th Floor, KS Building  
213/6-8 Rachada-Phisek Road  
Dingdaeng, Bangkok 10400  
Phone +66 2 6935611  
Fax +66 2 6935612  
warongkon.khankham@wago.com

US Power Distribution Co., Ltd.  
4th Floor, KS Building  
213/6-8 Rachada-Phisek Road  
Dingdaeng, Bangkok 10400  
Phone +66 2 2763040  
Fax +66 2 2763049  
uspower2014@gmail.com

Itthirit Technology Co., Ltd.  
Vision Business Park 2 Floor 4  
Soi Raminthra 55/8, Watcharapon Road  
Tharaeng, Bangkok District  
Bangkok Thailand 10220  
Phone +66 2 347 0780  
Fax +66 2 347 0772  
sales@itthirittechnology.com

**Tunisia**

please contact WAGO France

**Turkey**

WAGO Elektronik Sanayi ve Ticaret Ltd. Şti.  
Yukarı Dudullu Mahallesi Bayraktar Bulvarı  
Cad. Hattat Sok. No. 10  
34775 Ümraniye - İstanbul  
Phone +90 216 472 1133  
Fax +90 216 472 9910  
info.tr@wago.com

**Ukraine**

NPP Logicon  
Predslavinskaya street, 39, Office 303  
03150 Kiev  
Phone +380 44 5228019  
Fax +380 44 261 1803  
info@logicon.ua

Micropribor Ltd.  
4, Krzhizhanovskiy Str.  
03142 Kiev  
Phone +380 44 392 93 86  
Fax +380 44 392 93 87  
sales@micropribor.kiev.ua

**United Arab Emirates (UAE)**

WAGO Middle East (FZC)  
SAIF Zone, Q4-282  
P.O. Box 120665  
Sharjah, UAE  
Phone +971 6 5579920  
Fax +971 6 5579921  
info.uae@wago.com

**Uruguay**

Fivisa Electricidad  
Avda. Uruguay 1274  
11100 Montevideo  
Phone +59 829 020 808  
Fax +59 829 021 230  
info@fivisa.com.uy

**USA**

WAGO CORPORATION  
N120 W19129 Freistadt Road  
Germantown, WI 53022  
Phone +1 262 255 6222  
Fax +1 262 255 3232  
Toll-Free: 1-800 DIN Rail (346-7245)  
info.us@wago.com

**Venezuela**

PETROBORNAS, C.A.  
C.C. PLAZA AEROPUERTO - PISO 1 - LOCAL  
P1-B-03  
(8015) UNARE - PUERTO ORDAZ -  
ESTADO BOLIVAR  
REPÚBLICA BOLIVARIANA DE  
VENEZUELA  
Phone +58 286 951 3382  
Fax +58 286 951 3382  
info@petrobornas.com

**Vietnam**

please contact WAGO Germany (Minden)

Version: 02/2019

Current adreesa at www.wago.com



















**WAGO Kontakttechnik GmbH & Co. KG**  
Postfach 2880 · D · 32385 Minden  
Hansastraße 27 · D · 32423 Minden  
info@wago.com  
www.wago.com

Headquarters	+49 571 887 - 0
Sales	+49 571 887 - 44222
Order Service	+49 571 887 - 44333
Fax	+49 571 887 - 844169

[www.comoso.com](http://www.comoso.com)