

# Air Preparation Products

Filters, Regulators, Lubricators,  
& Airline Accessories

Catalog 0700P-8



ENGINEERING YOUR SUCCESS.

**Distributor Network, Warning, Offer of Sale****DISTRIBUTION NETWORK**

**At Parker, we have the largest global distribution network in motion and control, with over 7,500 distributors serving more than 422,000 customers.**

**To find the distributor nearest you, please visit our DISTRIBUTOR LOCATOR at <http://www.parker.com/pneu/distributor>**



**ENGINEERING YOUR SUCCESS.**

**⚠ WARNING**

**FAILURE OR IMPROPER SELECTION OR IMPROPER USE OF THE PRODUCTS AND/OR SYSTEMS DESCRIBED HEREIN OR RELATED ITEMS CAN CAUSE DEATH, PERSONAL INJURY AND PROPERTY DAMAGE.**

This document and other information from Parker Hannifin Corporation, its subsidiaries and authorized distributors provide product and/or system options for further investigation by users having technical expertise. It is important that you analyze all aspects of your application including consequences of any failure, and review the information concerning the product or system in the current product catalog. Due to the variety of operating conditions and applications for these products or systems, the user, through its own analysis and testing, is solely responsible for making the final selection of the products and systems and assuring that all performance, safety and warning requirements of the application are met.

The products described herein, including without limitation, product features, specifications, designs, availability and pricing, are subject to change by Parker Hannifin Corporation and its subsidiaries at any time without notice.

**Offer of Sale**

The items described in this document are hereby offered for sale by Parker Hannifin Corporation, its subsidiaries or its authorized distributors. This offer and its acceptance are governed by the provisions stated on the separate page of this document entitled "Offer of Sale".

© Copyright 2016-2005 Parker Hannifin Corporation. All Rights Reserved



For inventory, lead times, and kit lookup, visit [www.pdnplu.com](http://www.pdnplu.com)

**Parker Hannifin Corporation**  
Pneumatic Division  
Richland, Michigan  
[www.parker.com/pneumatics](http://www.parker.com/pneumatics)

[www.comoso.com](http://www.comoso.com)

<b>Product Index, Product Selection Guide, Engineering Data</b>		<b>A</b>
<b>Global Air Preparation</b>	<i>P31, P32, P33 Series and Accessories</i>	<b>B</b>
<b>P3Y Products</b>	<i>P3Y Series and Accessories</i>	<b>C</b>
<b>14 Series Products</b>	<i>14 Series and Accessories</i>	<b>D</b>
<b>Prep Air® II Products</b>	<i>05, 06, 07 Series and Accessories</i>	<b>E</b>
<b>Stainless Steel Products</b>	<i>Stainless Steel and Accessories</i>	<b>F</b>
<b>P3N Products</b>	<i>P3N Series and Accessories</i>	<b>G</b>
<b>General Industrial Products</b>	<i>F602 Series, 35F / 43 Series, F701 Series, P3TF Coalescing Series, R119 Series, 09 Series, L606 Series</i>	<b>H</b>
<b>Miniature / Inline Products</b>	<i>P31 Series, 02 Series, 14 Series, 05 Series, P3A-R Series, R34 Series, R25 Series, R45 Series, 27 Series</i>	<b>J</b>
<b>Regulator Products</b>	<i>General Regulators, Dial Regulators, Pilot Regulators, Proportional Regulators, Semi &amp; Precision Regulators, Water Regulators</i>	<b>K</b>
<b>Bulk Liquid Separators</b>	<i>P3TF Series</i>	<b>L</b>
<b>Dryer Products</b>	<i>Refrigeration Dryers, Desiccant Dryers</i>	<b>M</b>
<b>Airline Accessories</b>	<i>Drains, Lockout Valves, Mufflers, AirGuard Protection System, Ball Valves, Plug Valves, Quick Couplings, Hose Products, Fittings</i>	<b>N</b>
<b>Part Number Index, Safety Guide, Offer of Sale</b>		<b>O</b>



For inventory, lead time, and kit  
lookup, visit [www.pdnplu.com](http://www.pdnplu.com)

**A**

Product Index  
 Engineering Data

Product Index

Product Selection Guide

Engineering Data

## Air Preparation Units

### Global FRL's



- Port size: 1/4 through 3/4 inch
- Maximum supply pressure: 300 psig
- Operating temperature: -13°F through 150°F
- Filters, regulators, filter / regulators, lubricators and accessories
- Modular construction

B2

### P3N Series FRL's



- Port size: 3/4 through 1-1/2 inch
- Maximum supply pressure: 250 psig
- Operating temperature: 32°F through 175°F
- High flow
- Filters, regulators, filter / regulators, lubricators and accessories

G2

### P3Y FRL's



- Port size: 3/4 through 1-1/2 inch
- Maximum supply pressure: 250 psig
- Operating temperature: -4°F through 140°F
- Filters, regulators, filter / regulators, lubricators and accessories
- Modular construction

C2

### General Industrial FRL's



- Port size: 1/4 through 6 inch flange
- Maximum supply pressure: 300 psig
- Operating temperature: 32°F through 212°F
- Filters, regulators, filter / regulators, lubricators and accessories

H2

### 14 Series FRL's



- Port size: 1/8 through 1/4 inch
- Operating temperature: -4°F through 175°F
- Maximum supply pressure: 300 psig
- Non-modular construction
- Ideal for OEM applications
- Filters, regulators, filter / regulators, and lubricators

D2

### Miniature / Inline FRL's



- Port size: 1/8 through 3/8 inch
- Operating temperature: -4°F through 175°F
- Non-modular construction
- Ideal for point of use applications
- Filters, regulators, filter / regulators, lubricators and accessories

J2

### Prep-Air II FRL's



- Compact & standard
- Port size: 1/4 through 3/4 inch
- Maximum supply pressure: 300 psig
- Operating temperature: -4°F through 175°F
- Point of use applications
- Modular construction
- Filters, regulators, filter / regulators, lubricators and accessories

E2

### Regulator Products



- Port sizes: 1/8 through 2 inch
- Maximum supply pressure: 300 psig
- Operating temperature: -40°F through 200°F
- Precision
- Electronic proportional
- General Regulators
- Water Regulators

K2

### Stainless Steel FRL's



- Port sizes: 1/4 and 1/2 inch
- Stainless steel construction handles most corrosive environments
- Maximum supply pressure: 300 psig
- Operating temperature -40°F through 180°F
- Meets NACE specifications MR-01-75/ISO 15156
- Filters, regulators, filter / regulators, and lubricators

F2

### Liquid Separators




- Port sizes 1/4 through 6 inch flange
- Designed in accordance with ASME
- Maximum supply pressure: 232 psig
- Operating temperature: 35°F through 175°F
- High liquid removal efficiencies at all flow conditions
- Low maintenance
- Suitable for variable flow compressors

L2

## Air Preparation Units

**Dryer Products**



- Refrigeration (10-2400 scfm)
- Inline desiccant (15-60 scfm)
- DAS Regenerative desiccant (3-20 scfm)
- Heatless desiccant dryers (25-800 scfm)

**M2**

## Accessories

**Airline Accessories**



- Zero loss & timer drains
- Drains cocks
- Lockout valves
- AirGuard
- Mufflers
- Ball valves / Plug valves
- Quick couplings
- Hose products
- Fittings

**N2**

## Part Number Index, Safety Guides, Offer of Sale

- Part Number to Page Number Index
- Safety Guide
- Offer of Sale

**O2**

<b>A</b>
Product Index Engineering Data
Product Index
Product Selection Guide
Engineering Data



For inventory, lead time, and kit lookup, visit [www.pdnplu.com](http://www.pdnplu.com)

# PNEUMATIC DIVISION E-TOOLS

## Pneumatic Division Part Lookup Tool

### Part Lookup Tool Overview

The purpose of this application is to provide users with more in depth detail, such as replacement kits or current inventory for specific pneumatic part numbers. The tool also provides cross reference information for products that have been previously obsoleted. Searches can be made by searching a portion or all of a part number. Use the drop down options available to narrow your search.



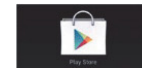
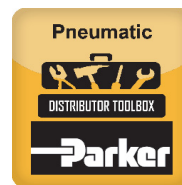
### Part Lookup Tool Contents

- Replacement KITS by part number
- Bulk part search
- Obsolete cross reference
- Shipping location
- Inventory/stock levels
- Lead time
- Pricing (with distributor login only)

### How to access the Tool

U.S. Parker Pneumatic Distributors

- [www.pdnpartlookup.com](http://www.pdnpartlookup.com)
- Or download the “Distributor Toolbox” app



Guest Users

- [www.pdnplu.com](http://www.pdnplu.com)

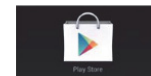
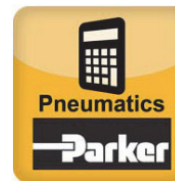
## Pneumatic Division Size & Selection Calculators

### Size, Selection and Cost of Air Calculators Overview

The purpose of this application is to provide users and designers of pneumatic systems with a handy collection of compressed air cost calculators, conversion tools and air valve (Cv) and flow (SCFM) calculations for air cylinder actuation. The size and select calculators are available to anyone for use. See details below.

### How to access the Tool

- [www.parkerpdncalc.com](http://www.parkerpdncalc.com)
- Or download the “Pneumatics” calculator app



### Calculator Contents

- Cost calculator for leaks
- Cost calculator for compressors
- Cost calculator for reverse flow regulators
- Vacuum flow through an orifice
- Air flow through an orifice
- Annual cost of air cylinder operation
- Valve/FRL sizing for cylinder actuation
- And more!

# The Parker 5-Year Extended Warranty

**P**arker Hannifin Corporation will extend its warranty on all pneumatic components to sixty (60) months providing they are correctly installed and protected by Parker pneumatic filters which are properly maintained. Components covered by this warranty include all cylinders, valves, and pneumatic automation components manufactured by Parker in any of our global facilities. This warranty covers our components anywhere in the world you may ship your equipment.

Parker's obligation under this warranty is limited to the replacement or repair of any failed components. The buyer understands that the seller will not be liable for any other costs or damages.

The buyers of quality Parker components and filters benefit by having ONE source for all pneumatic needs - **Parker**.



**Andrew M. Weeks**  
President  
Motion Systems Group



**A**

Product Index  
Engineering Data

Product  
Index

Product  
Selection Guide

Engineering  
Data



For inventory, lead time, and kit lookup, visit [www.pdnplu.com](http://www.pdnplu.com)

**A**

Product Index  
 Engineering Data

Product Index

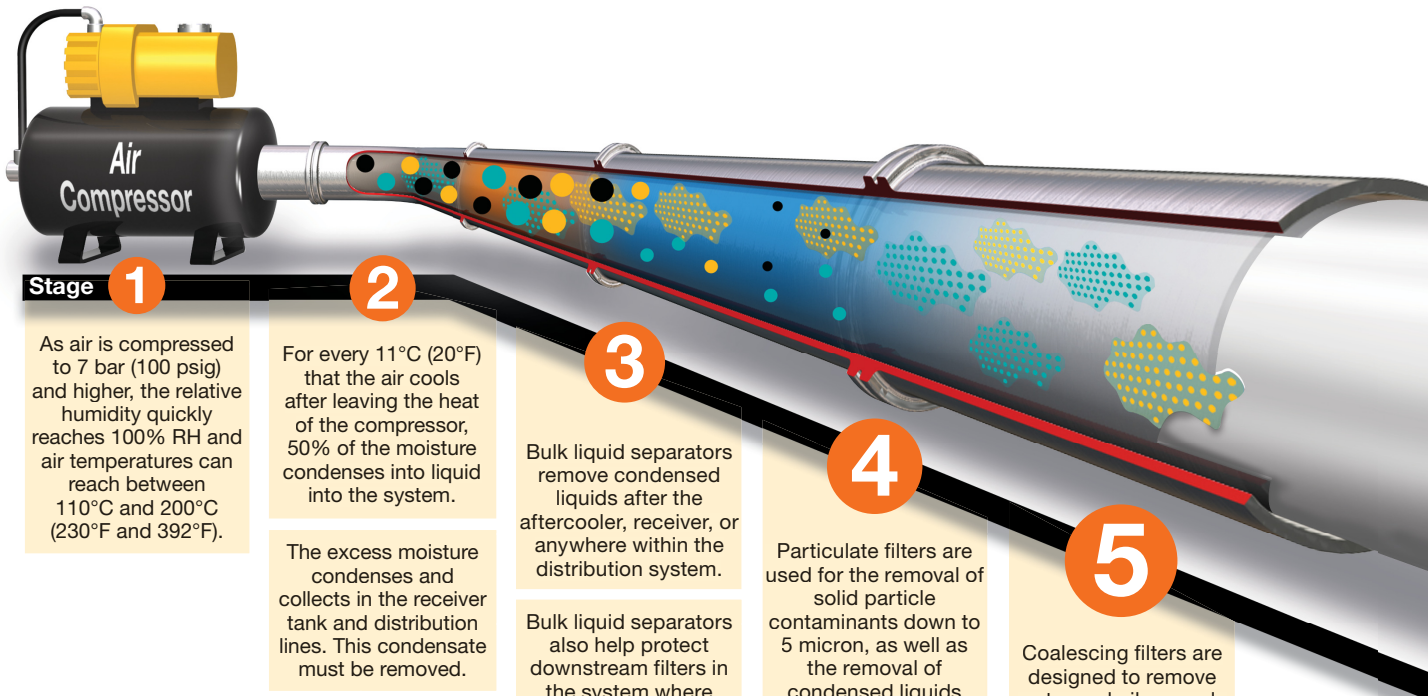
Product Selection Guide

Engineering Data

# Together we can power your application with clean, dry air

Fast cycle times, high product quality, and low downtime all require a clean, dry pneumatic system to function properly. Parker has what it takes to make sure pneumatic systems perform at their best.

## Clean, dry pneumatic systems with Parker Global Air Preparation



**Stage 1**  
 As air is compressed to 7 bar (100 psig) and higher, the relative humidity quickly reaches 100% RH and air temperatures can reach between 110°C and 200°C (230°F and 392°F).

**Stage 2**  
 For every 11°C (20°F) that the air cools after leaving the heat of the compressor, 50% of the moisture condenses into liquid into the system.  
 The excess moisture condenses and collects in the receiver tank and distribution lines. This condensate must be removed.

**Stage 3**  
 Bulk liquid separators remove condensed liquids after the aftercooler, receiver, or anywhere within the distribution system.  
 Bulk liquid separators also help protect downstream filters in the system where excess cooling takes place.

**Stage 4**  
 Particulate filters are used for the removal of solid particle contaminants down to 5 micron, as well as the removal of condensed liquids.  
 Note: Water and oil, in vapor form, pass through general purpose particulate filters.  
 This type of filter should be used as a prefilter for the coalescing (oil removal) filter.

**Stage 5**  
 Coalescing filters are designed to remove water and oil aerosols (not vapor) and particulate from air streams down to 0.01 micron in size.  
 Installed in pairs, Particulate and Coalescing filters ensure a continuous supply of high quality air.







- Key**
- Particulate
  - Oil
  - Water
  - Oil Vapor
  - Water Vapor



For inventory, lead times, and kit lookup, visit [www.pdnplu.com](http://www.pdnplu.com)



**Parker Pneumatic**

						
<b>Stages</b>	<b>1 2</b>	<b>3</b>	<b>4</b>	<b>5</b>	<b>6</b>	<b>7</b>
<b>Function</b>	<b>Air Compressor</b>	<b>Bulk Liquid Removal</b>	<b>Particulate Filtration</b>	<b>Coalescing Filtration</b>	<b>Air Dryers</b>	<b>Hydrocarbon Removal</b>
<b>Application</b>	All pneumatic systems	Basic pneumatic systems	Basic pneumatic systems	Systems requiring highest quality air.	Systems requiring air with reduced moisture content	Systems requiring highest quality air for critical applications
<b>Description</b>	Air leaving the compressor room at 93°C (200°F) releases 95% of its moisture into the piping system when it cools to 38°C (100°F)	Removes bulk liquid contamination and protects filters where excess cooling takes place in the distribution piping	Removes solid particulates down to 5 micron, and the separation of bulk contaminants.	Removes liquid aerosols and submicron particulates (not vapor) down to 0.01 micron.	Removes water vapor from air stream. Dew point reduced down to 4°C (40°F) (refrigeration) or -40°C (-40°F) (desiccant).	Removal of odors and trace vapors for critical applications.
<b>Parker Global Air Preparation Solution</b>	Customer supplied	P3TF Bulk Liquid Separator	P31, P32, P33 Particulate Filter	P31, P32, P33 Coalescing Filter	PRD Refrigeration Dryer, DAS & PTW Regenerative Desiccant Dryer	P31, P32, P33 Activated Carbon (Adsorber) Filter

<b>A</b>
Product Index
Engineering Data
Product Index
Product Selection Guide
Engineering Data



**6**

Refrigeration and desiccant dryers lower the air's dew point by removing water vapor, providing appropriately dry air for the downstream application.

**7**

Hydrocarbon and oil vapors are removed using filters utilizing activated carbon.  
Airborne hydrocarbons are often left over from the compressor oils.



For inventory, lead time, and kit lookup, visit [www.pdnplu.com](http://www.pdnplu.com)

**A**

**Product Index  
Engineering Data**



For inventory, lead times, and kit lookup, visit [www.pdnplu.com](http://www.pdnplu.com)

**Pneumatic Air Preparation Products**  
**Engineering Data**

**Engineering Data**

<a href="#">Product Selection Guide</a>	A2-A7
<a href="#">Engineering Selection Guide</a>	A8
<a href="#">Fluid Power Graphic Symbols</a>	A9
<a href="#">Product Information</a>	A10
<a href="#">Particulate Filters Information</a>	A11
<a href="#">Coalescing Filter Information</a>	A12-A14
<a href="#">Regulator Information</a>	A15
<a href="#">Filter / Regulator Information</a>	A16
<a href="#">Lubricators Information</a>	A17-A18
<a href="#">Dial Regulators</a>	A19
<a href="#">Precision Regulators</a>	A20-A22
<a href="#">Lockout Valves</a>	A23
<a href="#">Dryers</a>	A24-26

**A**

**Product Index**  
**Engineering Data**



For inventory, lead time, and kit lookup, visit [www.pdnplu.com](http://www.pdnplu.com)

**Product Selection Chart**

**A**  
**Product Index**  
**Engineering Data**  
**Product Index**  
**Product Selection Guide**  
**Engineering Data**

Basic Unit	Series	Port Size (inch)													Bowls			Bowl Capacity	Element Type			Page	
		1/8	1/4	3/8	1/2	3/4	1	1-1/4	1-1/2	2	2-1/2	3	4 flange	6 flange	Poly	Metal	Metal SG		5	40	Adsorber		
<b>WATER</b>	P3TF		•	•	•	•	•			•	•					Aluminum Body			—	Bulk Liquid Separator			L2
	P3TF												•	•		Steel Housing			—	Bulk Liquid Separator			L5
<b>FILTERS</b>	02F		•													Aluminum Body			—	Std.	—	—	J2
	P31F		•													•	•	—	.4 oz.	Std.	—	—	B8
	PF504		•													Stainless Steel			1.0 oz	Opt.	Std.	—	F2
	14F	•	•													•	•	—	1 oz.	Std.	Opt.	Opt.	D2
	05F		•	•												•	—	—	2 oz.	—	Std.	—	E2
	P32F		•	•	•											•	•	•	1.7 oz.	Std.	—	—	B10
	06F		•	•	•											•	•	•	4.4 oz.	Opt.	Std.	—	E4
	07F				•	•										•	•	•	7.2 oz.	Opt.	Std.	—	E6
	P33F				•	•										•	•	•	2.8 oz.	Std.	—	—	B12
	PF10				•											Stainless Steel			4.0 oz.	Opt.	—	—	F4
	P3Y					•	•									•	—	—	4.4 oz.	Std.	—	—	C4
	P3NF					•	•			•						—	—	•	18 oz.	—	Std.	—	G2
	F602					•	•			•	•					—	•	•	32 oz.	Opt.	Std.	—	H2
	35F									•	•					—	•	—	13.9 oz.	Std.	—	—	H8
43F												•			—	•	—	17.2 oz.	Std.	—	—	H8	



For inventory, lead times, and kit lookup, visit [www.pdnplu.com](http://www.pdnplu.com)

**Product Selection Chart**

Basic Unit	Series	Port Size (inch)												Bowls			Bowl Capacity	Element Type			Page	
		1/8	1/4	3/8	1/2	3/4	1	1-1/4	1-1/2	2	2-1/2	3	4 flange	6 flange	Poly	Metal		Metal SG	0.01	1.0		Adsorber
COALESCING FILTERS	02F		•												Nylon Housing			—	Std.	Opt.		J8
	P31F		•												•	•	—	.4 oz.	Std.	Opt.	Opt.	B14
	PF501		•												Stainless Steel			1.0 oz.	Std.	—	—	F6
	10F	•	•												•	•	—	1 oz.	Std.	Opt.	—	D4
	15F		•	•											•	—	—	2 oz.	Std.	—	—	E8
	P32F		•	•	•										•	•	•	14.7 oz.	Std.	Opt.	—	B16
	11F		•	•	•										•	•	•	4.4 oz.	Std.	Opt.	—	E10
	12F					•	•								•	•	•	7.2 oz.	Std.	Opt.	—	E12
	P33F					•	•								•	•	•	4.4 oz.	Std.	—	Opt.	B18
	PF11					•									Stainless Steel			4.0 oz.	Std.	—	—	F8
	P3Y					•	•								•			4.4 oz.	Std.	—	—	C6
	P3NF					•	•		•						—	—	•	18 oz.	Std.	—	—	G4
	F701					•	•								—	•	•	32 oz. 100 oz.	Std.	Opt.	—	H12
	35F								•	•					—	•	—	13.9 oz.	Std.	Opt.	—	H10
	43F											•			—	•	—	17.2 oz.	Std.	Opt.	—	H10
P3TF												•	•	—	•	—	—	Std.	Opt.	—	H14	

**A**

Product Index  
Engineering Data

Product Index

Product Selection Guide

Engineering Data



For inventory, lead time, and kit lookup, visit [www.pdnplu.com](http://www.pdnplu.com)

Product Selection Chart

**A**  
Product Index  
Engineering Data  
Product Index  
Product Selection Guide  
Engineering Data

Basic Unit	Series	Port Size											Spring Range														Page							
		1/8	1/4	3/8	1/2	3/4	1	1-1/4	1-1/2	2	2-1/2	8	15	20	25	30	40	50	60	100	120	125	140	150	160	175		200	232	250				
STANDARD	P31R	•													—	—	—	—	Opt.	—	—	Opt.	—	—	Std.	—	—	—	—	—	Opt.	—	B20-B23	
	14R	•	•												—	Opt.	—	—	Opt.	—	—	Opt.	—	—	Std.	—	—	—	—	—	—	—	D6	
	P3A-R	•	•												—	Opt.	—	—	Opt.	—	—	Opt.	—	Std.	—	—	—	—	—	—	—	—	J20	
	R34	•	•												—	—	—	—	Opt.	—	—	Opt.	—	—	Std.	—	—	—	—	—	—	—	J22	
	R25	•	•												—	—	—	Opt.	—	—	—	Opt.	—	—	Std.	—	—	—	—	—	—	—	J24, K8	
	R45		•	•											—	—	—	Opt.	—	—	—	Opt.	—	—	Std.	—	—	—	—	—	—	—	J26, K10	
	15R		•	•											—	Opt.	—	—	Opt.	—	—	—	Opt.	—	—	Std.	—	—	—	—	—	—	J28	
	05R		•	•											—	—	—	—	Opt.	—	—	—	Std.	—	—	Std.	—	—	—	—	Opt.	—	E14	
	P32R		•	•	•										—	—	—	—	Opt.	—	—	—	Opt.	—	—	Std.	—	—	—	—	—	Opt.	B24-B27	
	06R		•	•	•										—	—	—	—	—	—	—	—	Std.	—	—	Std.	—	—	—	—	—	Opt.	E16	
	P33R				•	•									—	—	—	—	Opt.	—	—	—	Opt.	—	—	Std.	—	—	—	—	—	Opt.	B30	
	P3Y					•	•								—	—	—	—	—	—	—	—	—	—	—	—	—	—	—	Std.	—	Opt.	C8	
	07R				•	•									—	—	—	—	—	—	—	—	—	Std.	—	—	Std.	—	—	—	—	Opt.	E18	
	P3NR					•	•		•						—	—	—	—	—	—	—	—	—	—	—	Std.	—	—	—	—	—	Opt.	G6	
	R119		•	•	•	•	•		•						—	—	—	Opt.	—	—	—	—	Opt.	—	—	Std.	—	—	—	—	—	Opt.	H16-H19	
	09R									•					—	—	—	—	—	—	—	—	—	—	—	Std.	—	—	—	—	—	—	H26	
	PILOT	11R	•	•	•										*	*	*	*	*	*	*	*	*	*	*	*	*	*	*	*	*	*	*	E20
		12R			•	•									*	*	*	*	*	*	*	*	*	*	*	*	*	*	*	*	*	*	*	E22
P3Y					•	•								*	*	*	*	*	*	*	*	*	*	*	*	*	*	*	*	*	*	*	C10	
P3NR					•	•		•						*	*	*	*	*	*	*	*	*	*	*	*	*	*	*	*	*	*	*	G8	
R119		•	•	•	•	•		•	•	•				*	*	*	*	*	*	*	*	*	*	*	*	*	*	*	*	*	*	*	H20-H25	
STAINLESS	PR354	•												—	—	—	Opt.	—	—	—	—	Opt.	—	—	Std.	—	—	—	—	—	—	F10		
	PR364	•												—	—	—	Opt.	—	—	—	—	—	—	—	Std.	—	—	—	—	—	—	F10		
	PR10				•									—	—	—	—	—	—	—	—	—	—	—	—	—	—	—	—	Opt.	F12			
	PR11				•									—	—	—	—	—	—	—	—	—	—	—	—	—	—	—	—	Opt.	F12			

\* Will follow Pilot Regulator setting.



For inventory, lead times, and kit lookup, visit [www.pdnplu.com](http://www.pdnplu.com)

**Product Selection Chart**

Basic Unit	Series	Port Size										Spring Range															Page							
		1/8	1/4	3/8	1/2	3/4	1	1-1/4	1-1/2	2	2-1/2	8	15	20	25	30	40	50	60	100	120	125	140	150	160	175		200	232	250				
PROPRTIONAL	P31P	•										—	—	—	—	Opt.	—	—	—	—	—	—	—	—	—	—	—	—	—	—	—	—	—	B32
	EPP4	•			•							—	—	—	—	—	—	—	—	—	—	—	—	—	—	—	—	—	—	—	—	—	K82	
	P32P				•							—	—	—	—	Opt.	—	—	—	—	—	—	—	—	—	—	—	—	—	—	—	—	B32	
	PAR-15				•							—	—	—	—	—	—	—	—	—	—	—	—	—	—	—	—	—	—	Std.	—	Opt.	—	K74
	P3Y					•	•					—	—	—	—	—	—	—	—	—	—	—	—	—	—	—	—	—	—	—	—	—	—	C12
DIAL	51R	•										—	—	—	—	—	—	—	—	—	—	—	—	—	—	—	—	Opt.	—	Std.	—	—	—	K42
	52R	•	•	•	•							—	—	—	—	Opt.	—	—	—	—	—	—	—	—	—	—	—	—	Std.	—	—	—	—	K44
	53R					•	•	•				—	—	—	—	Opt.	—	—	—	—	—	—	—	—	—	—	—	—	Std.	—	—	—	—	K46
	54R								•	•		—	—	—	—	Opt.	—	—	—	—	—	—	—	—	—	—	—	—	Std.	—	—	—	—	K48
SEMI	27R	•									—	Opt.	—	—	Opt.	—	—	Opt.	—	—	—	—	—	—	—	—	—	—	—	—	—	—	—	K14
	R216	•	•								Opt.	—	Std.	—	—	—	Opt.	—	—	—	—	—	—	—	—	—	—	—	—	—	—	—	—	K38
PRECISION	P3RA302	•									—	—	—	—	Opt.	—	—	—	—	—	—	—	—	—	—	—	—	—	—	—	—	—	—	K90
	P3RA102	•									—	—	—	—	Opt.	—	—	Opt.	—	—	—	—	—	—	—	—	—	—	—	—	—	—	—	K92
	P3RA102BP	•									—	—	—	—	Opt.	—	—	Opt.	—	—	—	—	—	—	—	—	—	—	—	—	—	—	—	K94
	P3RA171	•									—	—	—	—	Std.	—	—	—	—	—	—	—	—	—	—	—	—	—	—	—	—	—	—	K96
	P3EA632	•									—	—	—	—	—	—	—	Opt.	—	—	—	—	—	—	—	—	—	—	—	—	—	—	—	K98
	P3BA208	•									—	—	—	—	—	—	—	—	—	—	—	—	—	—	—	—	—	—	—	—	—	—	—	K100
	P3BA45	•									—	—	—	—	—	—	—	—	—	—	—	—	—	—	—	—	—	—	—	—	—	—	—	K102
WATER	20R	•	•								—	—	Opt.	—	—	—	—	Opt.	—	—	—	—	—	—	—	—	—	—	—	—	—	—	—	K104
	R24	•									—	—	Opt.	—	—	—	—	Opt.	—	—	—	—	—	—	—	—	—	—	—	—	—	—	—	K106
	R46	•	•								—	—	Opt.	—	—	—	—	Opt.	—	—	—	—	—	—	—	—	—	—	—	—	—	—	—	K108

**A**

Product Index  
Engineering Data

Product Index

Product Selection Guide

Engineering Data



For inventory, lead time, and kit lookup, visit [www.pdnplu.com](http://www.pdnplu.com)

**Product Selection Chart**

**A**

Product Index  
 Engineering Data

Product Index

Product Selection Guide

Engineering Data

Basic Unit	Series	Port Size										Bowls			Bowl Capacity	Elements (Micron)			Adsorber	Spring Range										Page	
		1/8	1/4	3/8	1/2	3/4	1	1-1/4	1-1/2	2	Poly	Metal	Metal SG	5		20	40	15		25	30	60	110	125	175	200	250				
F I L T E R / R E G U L A T O R S	P31E		•										•	•	—	0.4 oz.	Std.	—	—	—	—	—	—	Opt.	Opt.		—	—	—	Opt.	B42
	14E	•	•										•	•	—	1.0 oz.	Std.	—	Opt.	Opt.	Opt.	—	Opt.	Opt.		Std.	—	—	—	D8	
	B34	•	•										•	•	—	1.0 oz.	Std.	Opt.	—	—	—	Opt.	—	Opt.		Std.	—	—	—	J32	
	05E		•	•									•	—	—	2 oz.	—	—	Std.	—	—	—	Opt.	Std.		Std.	—	Opt.	—	E24	
	P32E		•	•	•								•	•	•	1.7 oz.	Std.	—	—	—	—	—	Opt.	Opt.		Std.	—	—	Opt.	B44-B47	
	06E		•	•	•								•	•	•	4.4 oz.	Opt.	—	Std.	—	—	—	—	Std.		Std.	—	—	Opt.	E26	
	07E				•	•							•	•	•	7.2 oz.	Opt.	—	Std.	Opt.	—	—	—	Std.		Std.	—	—	Opt.	E28	
	P33E				•	•							•	•	•	2.8 oz.	Std.	—	—	—	—	—	Opt.	Opt.		Std.	—	—	Opt.	B48	
	P3Y				•	•							•	•	•	4.4 oz.	Std.	—	—	—	—	—	—	—	—	—	Std.	—	Opt.	C14	
	P3NE				•	•			•				—	—	•	18 oz.	—	—	Std.	—	—	—	—	—	—	Std.	—	—	Std.	G10	
	12E				•	•							—	•	—	7.2 oz.	6 Std. 0.01	—	10 Opt. 1.0	—	—	—	—	Opt.		Std.	—	—	Opt.	E30	
M I C R O M I S T	15L		•	•								•	—	•	2 oz.	Cannot be filled under pressure										E32					
	16L		•	•	•							•	•	•	2.6 oz.	Cannot be filled under pressure										E34					
	17L			•	•	•						•	•	•	4.9 oz.	Cannot be filled under pressure										E36					
	L U B R I C A T O R S	02L		•	•								Aluminum Body			0.25 oz.	Cannot be filled under pressure										J38				
		P31L		•									•	—	•	0.6 oz.	Can be filled under pressure										B50				
		04L	•	•									•	•	—	1 oz.	Cannot be filled under pressure										D10				
		P32L		•	•	•							•	—	•	4.09 oz.	Can be filled under pressure										B52				
		06L		•	•	•							•	•	•	2.9 oz.	Can be filled under pressure										E38				
		07L				•	•						•	•	•	6 oz.	Can be filled under pressure										E40				
		P33L				•	•						•	—	•	2.8 oz.	Can be filled under pressure										B54				
		PL10				•							Stainless Steel			4.0 oz.	Cannot be filled under pressure										F18				
P3Y					•	•						•	—	—	16.9 oz.	Can be filled under pressure										C16					
P3NL					•	•			•			—	—	•	18 oz.	Can be filled under pressure										G12					
L606					•	•			•			—	•	•	16 oz. 32 oz. 64 oz.	Can be filled under pressure										H28-H31					
09L								•			—	—	•	1 Qt. Std. 3 Qt. Opt.	Can be filled under pressure										H32						



For inventory, lead times, and kit lookup, visit [www.pdnplu.com](http://www.pdnplu.com)



**Product Selection Chart**

Basic Unit	Series	Number of Components	Port Size										Bowls			Elements (Micron)					Spring Range						Page		
			1/8	1/4	3/8	1/2	3/4	1	1-1/4	1-1/2	2	Poly	Metal	Metal SG	5	40	0.01	1.0	Absorber	15	30	60	125	175	232	250			
COMBOS	P31	Multi		●									●	●	—	Std.	—	Opt.	Opt.	Opt.	—	Opt.	Opt.	Std.	—	—	Opt.	B56	
	P32	Multi		●	●	●							●	●	●	Std.	—	Opt.	Opt.	Opt.	—	Opt.	Opt.	Std.	—	—	Opt.	B57	
	06H/16H	2		●	●	●							●	●	●	Opt.	Std.	—	—	—	—	—	Opt.	Std.	—	—	Opt.	E44	
	06B/16B	3		●	●	●							●	●	●	Opt.	Std.	—	—	—	—	—	Opt.	Std.	—	—	Opt.	E44	
	07H/17H	2				●	●						●	●	●	Opt.	Std.	—	—	—	—	—	Opt.	Std.	—	—	Opt.	E44	
	07B/17B	3				●	●						●	●	●	Opt.	Std.	—	—	—	—	—	Opt.	Std.	—	—	Opt.	E44	
	P33	Multi				●	●						●	●	●	Std.	—	Opt.	Opt.	Opt.	—	Opt.	Opt.	Std.	—	—	Opt.	B58	
	P3YCA	2				●	●						●	●	●	Std.	—	—	—	—	—	—	—	Std.	Opt.	—	—	C18	
	P3YCB	3				●	●						●	●	●	Std.	—	—	—	—	—	—	—	Std.	Opt.	—	—	C18	
	P3NCA	2				●	●				●		—	—	●	—	Std.	—	—	—	—	—	—	Std.	—	—	Opt.	G14	
	P3NCB	3				●	●				●		—	—	●	—	Std.	—	—	—	—	—	—	Std.	—	—	Opt.	G14	
	14G	2	●	●									●	●	—	Std.	Opt.	—	—	—	—	Opt.	Opt.	Opt.	Std.	—	—	—	D12
	14A	3	●	●									●	●	—	Std.	Opt.	—	—	—	—	Opt.	Opt.	Opt.	Std.	—	—	—	D12
	06G/16G	2		●	●	●							●	●	●	Opt.	Std.	—	—	—	—	—	—	Std.	Std.	—	—	Opt.	E42
06A/16A	3		●	●	●							●	●	●	Opt.	Std.	—	—	—	—	—	—	Std.	Std.	—	—	Opt.	E42	
07G/17G	2				●	●						●	●	●	Opt.	Std.	—	—	—	—	—	—	Std.	Std.	—	—	Opt.	E42	
07A/17A	3				●	●						●	●	●	Opt.	Std.	—	—	—	—	—	—	Std.	Std.	—	—	Opt.	E42	
C628	3				●	●				●		—	●	●	Opt.	Std.	—	—	—	—	—	—	Std.	—	—	Opt.	H34		

<b>A</b>
Product Index Engineering Data
Product Index
Product Selection Guide
Engineering Data

Basic Units	Series	Port Sizes	Flow Rates (scfm)	Pressure dewpoints			Electrical Requirement		Dryer Application	Page
				37-50°F	-40°F	-40 to -100°F	Yes	No		
Disposable Inline Desiccant	DD10-02	1/4"	15	—	Std.	—	—	●	Point of use, intermittent use	M6
Inline Desiccant	DD	1/4" to 1"	15, 30, 60	—	Std.	—	—	●	Point of use, intermittent use	M7
Regenerative Desiccant Dryer	DAS	3/8"	3 - 20	—	Std.	—	●	—	Compact, lightweight, point of use	M9
Heatless Desiccant Dryer	PTW	1/2" to 2"	25 - 800	—	Std.	Opt.	●	—	Specific where very low pressure dewpoints are required	M13
Refrigeration Dryer	PRD	1/2" to 6" flange	10 - 2,400	Std.	—	—	●	—	General industrial use	M2



For inventory, lead time, and kit lookup, visit [www.pdnplu.com](http://www.pdnplu.com)

**A**  
 Product Index  
 Engineering Data  
 Product Index  
 Product Selection Guide  
 Engineering Data

**Saving Money and Space by Sizing Your Valves Properly**

This catalog gives you a flow rating (Cv) for each valve in the Parker Hannifin line. You can “plug” your requirements into the following simple formula, and determine the Cv needed to do the job. By not oversizing, you’ll save space and money, and you’ll ensure the valve you select will do the job.

Converting the Job Requirements Into Cv (Capacity Co-efficient).

$$C_v = \frac{\text{Cylinder Area (Sq. In.)} \times \text{Cylinder Stroke (In.)} \times \text{Compression Factor (Table 2)} \times \text{“A” (Table 2)}}{\text{Stroke Time (sec.)} \times 28.8}$$

Let’s work through an example:

We want to extend a 3 1/4" bore cylinder which has a 12" stroke in one second, and we have a supply pressure of 80 PSI to do the work. Here’s what we know:

- Cylinder Area for a 3-1/4" Bore, from Table 1 .....8.30 sq. in.
- Cylinder Stroke..... 12 in.
- Stroke Time Required in Seconds.....1 sec.
- Compression Factor at 80 PSI, from Table 2.....6.4
- “A” Constant for 80 PSI, from Table 2......048

Substituting in the formula, we have:

$$C_v = \frac{8.30 \times 12 \times 6.4 \times .048}{1 \times 28.8} = 1.06$$

Any valve, therefore, which has a Cv of at least 1.06, will extend our cylinder the specified distance in the required time.

**Choosing the Valve “Series”**

Your next step is to choose a basic valve design to do the job. For a quick guide to valve designs, see Table 3.

Having selected the basic valve design, consult the Capacity Co-efficient (Cv) tables which describe the individual valve capacities.

**Selecting the Valve Model, Options and Accessories**

Having determined Cv, series, port size, flow-path configuration (pre-determined by circuit design), and actuation method, you’re ready to choose the exact valve model number.

Read the pertinent catalog pages; note the exact model numbers, options and accessories you want. Then phone or write your Parker Hannifin air valve distributor. They will give you prompt, accurate service.

**Note:** Need circuit design help? Contact your local Parker Hannifin distributor. They are backed up by our regional Sales Engineers and offices. Between them, you’ll find answers to all of your questions.

**Table 1**  
**Effective Square-Inch Areas for Standard-Bore-Size Cylinders**

Bore Size	Cylinder Area (Sq. In.)	Bore Size	Cylinder Area (Sq. In.)
3/4"	.44	4"	12.57
1"	.79	4-1/2"	15.90
1-1/8"	.99	5"	19.64
1-1/4"	1.23	6"	28.27
1-1/2"	1.77	7"	38.48
1-3/4"	2.41	8"	50.27
2"	3.14	10"	78.54
2-1/2"	4.91	12"	113.10
3-1/4"	8.30	14"	153.94
3-5/8"	10.32		

**Table 2**  
**Compression Factors and “A” Constants**

Inlet Pressure (psig)	Compression Factor	“A” Constants for Various Pressure Drop*		
		2 PSI ΔP	5 PSI ΔP	10 PSI ΔP
10	1.6	.152	.103	
20	2.3	.126	.084	.065
30	3.0	.111	.073	.055
40	3.7	.100	.065	.048
50	4.4	.091	.059	.044
60	5.1	.085	.055	.040
70	5.7	.079	.051	.037
80	6.4	.075	.048	.035
90	7.1	.071	.046	.033
100	7.8	.068	.044	.032
110	8.5	.065	.042	.030
120	9.2	.063	.040	.029
130	9.9	.061	.039	.028
140	10.6	.058	.037	.027
150	11.2	.057	.036	.026
160	11.9	.055	.035	.025
170	12.6	.053	.034	.024
180	13.3	.052	.033	.024
190	14.0	.051	.032	.023
200	14.7	.050	.032	.023

**Note:** Use “A” constant at 5 PSI ΔP for most applications. On very critical applications, use “A” at 2 PSI ΔP. You will find in many cases, a 10 PSI ΔP is not detrimental, and can save money and mounting space.

\* Tabulated values are the solution of  $\frac{1}{22.48} \sqrt{\frac{GT}{(P_1 - P_2) P_2}}$  where T is for 68°F and G =1 for Air.

**Table 3**  
**Characteristics of the Major Valve Designs**

<b>A. Poppet</b> 3-Way and 4-Way	1. High flow capacities 2. Minimum lubrication requirements 3. Fast response 4. Self-cleaning poppet seats 5. Pressures of 15 to 150 psig (modifications for vacuum to 250 psig)
<b>B. Spool Valves (WCS)</b> 3-Way and 4-Way	1. Low friction 2. Lower operating pressures 3. Fast response 4. Less wear 5. Long Cycle Life - Under pressure, radial expansion of the seal occurs to maintain sealing contact with the valve bore 6. Non-Lube Service - No lubrication required for continuous valve shifting 7. Bi-Directional Spool Seals - Common spool used for any pressure, including vacuum
<b>C. Packed Bore</b> 4-Way	1. Wide range of flow capacities 2. Wide range of flow-path configurations 3. Pilot-operated models available 4. Pressures of vacuum to 150 psig
<b>D. Rotary or Reciprocating Disc</b> 4-Way, manually operated	1. Inexpensive 2. Versatility in manual actuation

**Cv – Capacity Co-efficients** (sometimes called Flow Factors). Each flow path through the valve has its own Cv value. All Cv ratings for each valve cataloged on this page are listed on the front side of this sheet.

$$C_v = \frac{Q}{22.48} \sqrt{\frac{GT}{(P_1 - P_2) P_2}}$$

Q = Flow in Standard Cubic Feet per minute (14.7 PSIA at 60°F)  
 P<sub>1</sub> = Inlet Absolute Pressure (gauge pressure + 14.7)  
 P<sub>2</sub> = Outlet Absolute Pressure (gauge pressure + 14.7)  
 Note: P<sub>2</sub> must be greater than .53 x P<sub>1</sub>  
 G = Specific Gravity of flowing medium (Air, G =1)  
 T = Absolute Temperature of Air (460 + °F)

**Cv = Q x “A” (Table 2)**



For inventory, lead times, and kit lookup, visit [www.pdnplu.com](http://www.pdnplu.com)

**Air Preparation Units**

Symbol	Description
	Filter / Separator with manual drain
	Filter / Separator with automatic drain
	Oil Removal Filter
	Automatic Drain
	Lubricator less drain
	Lubricator with manual drain
	Lubricator with automatic filling
	Air Line Pressure Regulator adjustable, relieving
	Air Line Pressure Regulator pilot controlled, relieving
	Filter / Regulator (piggyback) manual drain relieving (with gauge)
	Filter / Regulator (piggyback) auto drain relieving
	Air Line Combo F-R-L simplified

**Pneumatic Valves**

Symbol	Description
	Check
	Flow Control
	Relief Valve
	2-Position, 2-Way
	2-Position, 3-Way
	2-Position, 4-Way
	2-Position, 4-Way 5-Ported

**Pneumatic Valves**

Symbol	Description
	3-Position, 4-Way, APB ports closed, center pos.
	3-Position, 4-Way, CE 5-Ported cylinder ports open to exhaust in center position
	3-Position, 4-Way, PC 5-Ported pressure port open to cylinder ports in center position
	Quick Exhaust
	Shuttle

**Valve Actuators**

Symbol	Description
	Manual general symbol
	Push Button
	Lever
	Pedal or Treadle
	Mechanical cam, toggle, etc.
	Spring
	Detent line indicates which detent is in use
	Piezo
	Solenoid
	Internal Pilot Supply
	Remote Pilot Supply complete
	Remote Pilot Supply simplified
	And / Or Composite solenoid and pilot or manual override
	And / Or Composite solenoid and pilot or manual override and pilot

**Cylinders**

Symbol	Description
	Standard double acting
	Single Acting
	Double Rod
	Spring Return
	Ram Type
	Telescope
	Tandem
	Duplex

**Lines and Functions**

Symbol	Description
	Solid Line - Main Line
	Dashed Line - Pilot Line
	Dotted Line - Exhaust or Drain Line
	Center Line - Enclosure Outline
	Lines Crossing (90° intersection not necessary)
	Lines Joining (90° intersection not necessary)
	Lines Joining
	Flow Direction hydraulic medium
	Flow Direction gaseous medium
	Energy Source
	Line with Fixed Restriction
	Line with Adjustable Restriction
	Flexible Line
	Plugged Port, Test Station, Power Take-off
	connected/disconnected Quick Disconnect Without Checks
	connected/disconnected Quick Disconnect With Checks
	connected/disconnected Quick Disconnect With One Check

**A**

Product Index  
 Engineering Data

Product Index

Product Selection Guide

Engineering Data



For inventory, lead time, and kit lookup, visit [www.pdnplu.com](http://www.pdnplu.com)

**A**

Product Index  
Engineering Data

Product  
Index

Product  
Selection Guide

Engineering  
Data

 **CAUTION:**

Polycarbonate bowls and sight domes, being transparent and tough, are ideal for use with Filters and Lubricators. They are suitable for use in normal industrial environments, but should not be located in areas where they could be subjected to direct sunlight, an impact blow, nor temperatures outside of the rated range. As with most plastics, some chemicals can cause damage. Polycarbonate bowls and sight domes should not be exposed to chlorinated hydro-carbons, ketones, esters and certain alcohols. They should not be used in air systems where compressors are lubricated with fire-resistant fluids such as phosphate ester and di-ester types.

Metal bowls are recommended where ambient and/or media conditions are not compatible with polycarbonate bowls. Metal bowls resist the action of most such solvents, but should not be used where strong acids or bases are present or in salt laden atmospheres. Consult the factory for specific recommendations where these conditions exist.

**TO CLEAN POLYCARBONATE COMPONENTS USE MILD SOAP AND WATER ONLY! DO NOT** use cleansing agents such as acetone, benzene, carbon tetrachloride, gasoline, toluene, etc., which are damaging to this plastic.

**Metal bowl guards are recommended for all applications.**

 **CAUTION:**

**REGULATOR PRESSURE ADJUSTMENT** – The working range of knob adjustment is designed to permit outlet pressures within their full range. Pressure adjustment beyond this range is also possible because the knob is not a limiting device. This is a common characteristic of most industrial regulators, and limiting devices may be obtained only by special design.

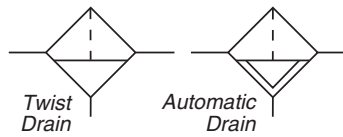


For inventory, lead times, and kit lookup, visit [www.pdnplu.com](http://www.pdnplu.com)

A10

**Parker Hannifin Corporation**  
Pneumatic Division  
Richland, Michigan  
[www.parker.com/pneumatics](http://www.parker.com/pneumatics)

**Filters**



Air filters are designed to remove airborne solid contaminants, pipescale, rust, pipe dope, etc., which may plug small orifices or cause excessive wear and premature failure of pneumatic components.

**Filter Selection**

1. Determine maximum system flow requirements.
2. Determine maximum allowable pressure drop at rated flow in scfm.
3. Refer to flow chart and select filter pipe size by choosing curve that offers minimum pressure drop at desired flow in scfm. For optimum performance, a 2 to 5 psig pressure drop should be selected.

**Particulate Filters:**

For the removal of solid particle contaminants down to 5 microns and the separation of bulk liquids.

This type of filter is generally used in industrial applications where liquid water and oil, and harmful dirt particles must be removed from the compressed air system. This type of filter should also be used as a prefilter for the Coalescing (oil removal) filter.

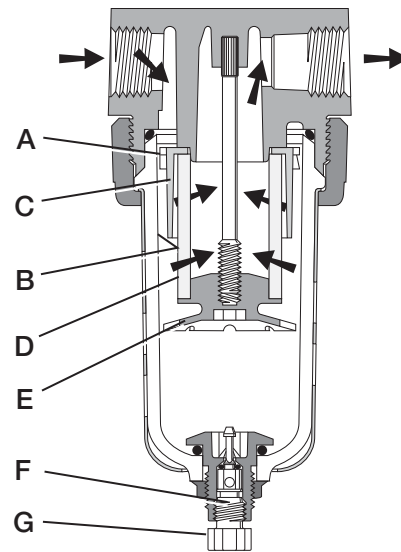
**First Stage Filtration:**

Air enters at inlet port and flows through deflector plate (A) which causes a swirling action. Liquids and coarse particles are forced to the bowl interior wall (B) by the centrifugal action of the swirling air. They then carry down the bowl wall by the force of gravity. Shroud (C) assures that the proper swirling action occurs and that the air does not pass directly through the filter element (D) until the large particles and liquids are removed. The baffle (E) separates the lower portion of the bowl into a "quiet zone" where the removed liquids and particles collect, unaffected by the swirling air, and are therefore not reentrained into the flowing air.

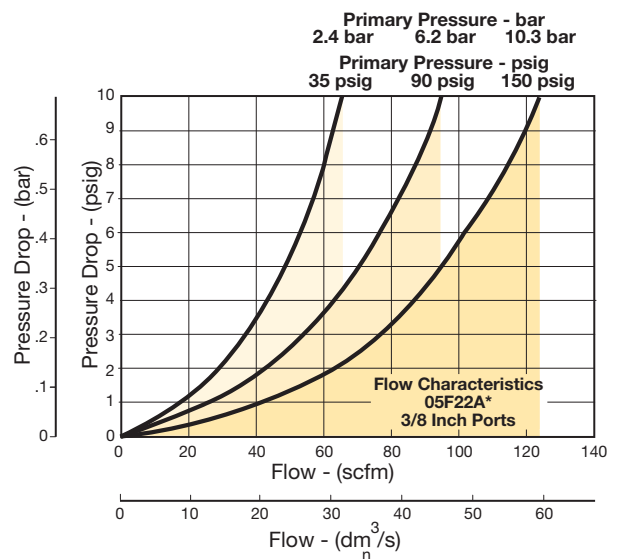
**Second Stage Filtration:**

After liquids and large particles are removed in the first stage of filtration, the air flows through element (D) where smaller particles are filtered out and retained. The filtered air then passes downstream. Collected liquids and particles in the "quiet zone" should be drained before their level reaches a height where they would be reentrained in the flowing air. This can be accomplished by the twist drain (F) which is actuated by twisting knob (G) counterclockwise. On the 09 Series, unscrew the drain valve (F) slightly until the liquid begins to drain.

Once the required flow is determined for a pneumatic application, the filter can be selected by using the flow chart. To read the filter flow chart, first determine the inlet pressure that will be used. Find the appropriate pressure curve on the graph. Each graph will contain three pressure curves. If the required inlet pressure is not on the graph, interpolate a similar curve for the required pressure. Next, determine the acceptable pressure drop across the filter and locate it on the vertical axis. Find the intersection point of the acceptable pressure drop and the inlet pressure curve. At this point follow a vertical path downward to view the flow in scfm. If the flow is too low, select a larger port size or body size to give the required flow. If the flow is higher than necessary, select a smaller port size or body size to give the required flow.



**Reading Flow Charts to Size Filters**



**A**

Product Index  
 Engineering Data

Product Index

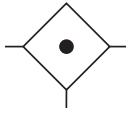
Product Selection Guide

Engineering Data



For inventory, lead time, and kit lookup, visit [www.pdnplu.com](http://www.pdnplu.com)

**Coalescing Filters**



Coalescing filters are designed to remove 99.9% + of the liquid aerosols, both water and oil, and submicron particulate matter from your pneumatic system. These filters will provide oil free air for applications such as spray painting, air gauging, pneumatic instrumentation, printing and packaging.

**Media Specifications**

Grade	Coalescing Efficiency	Maximum Oil Carryover <sup>1</sup>	Micron Rating	Pressure Drop (PSID) <sup>2</sup> @ Rated Flow	
				Media Dry	Media Wet With 10-20 wt. oil
6	99.97%	0.008	0.01	1.0	2-3
10	95%	0.85	1.0	0.5	0.5

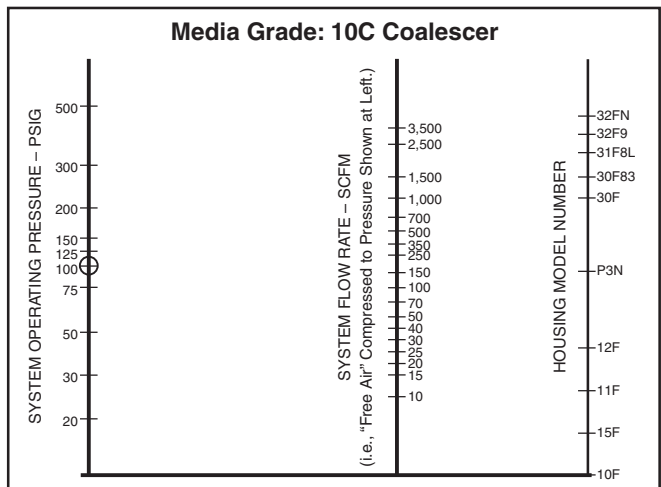
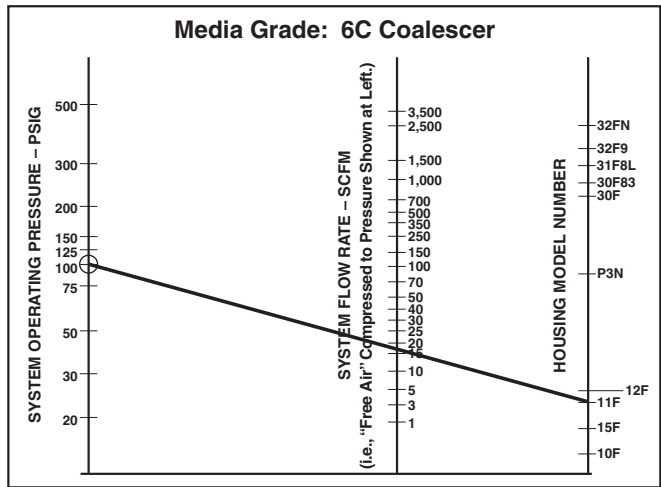
<sup>1</sup> Tested per BCAS 860900 at 40 ppm inlet.  
<sup>2</sup> Add dry + wet for total pressure drop.  
 D.O.P. = Dioctylphthalate

**Element Selection**

Element grade	Applications
<b>6</b> (.01 Micron)	General air coalescing applications when total removal of liquid aerosols and suspended fines is required in all pressure ranges. Protection of air dryers, air gauging, air logic, modulating systems, critical air conveying, most breathing air systems, etc.
<b>10</b> (.7 Micron)	Precoalescer or prefilter for Grade 6 to remove gross amounts of water and oil, or tenacious aerosols which are difficult to remove. Upgrading existing particulate equipment to coalescing without increase in pressure drop.

**Reading Nomograms for Coalescing Filters**

To size a coalescer, refer to the nomograms below. First determine the system pressure and find that pressure on the vertical axis on the left. Next, find the required flow rate on the middle vertical axis. Draw a connecting line between the two points extending to the middle vertical axis giving the recommended coalescer series. If the intersection on the model number axis is between models then choose the model above the intersection point insuring the proper flow in the unit.



**A**  
 Product Index  
 Engineering Data

Product Index

Product Selection Guide

Engineering Data



For inventory, lead times, and kit lookup, visit [www.pdnplu.com](http://www.pdnplu.com)

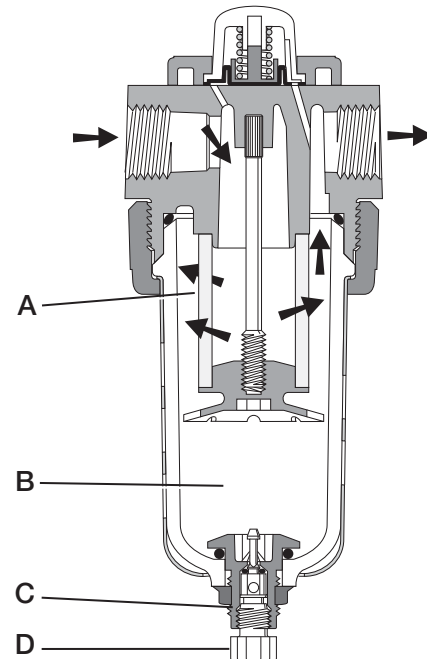
**Coalescing Filters (Oil Removal)**

Specifically designed for the removal of solid particles, water and oil aerosols down to 0.01 micron. Maximum remaining oil content of air leaving the filter down to 0.01 ppm at 70°F (21°C) at a pressure of 100 psig (6.9 bar) using a typical compressor lubricant. Two filter element grades are offered to better meet your air quality requirements.

Grade 10 filter elements are used for most air coalescing applications where the removal of liquid aerosols and submicronic particles for general air quality is required. Protection of components such as air valves, cylinders, as well as air conveyors, air gaging, air bearings, air control circuits and paint spraying equipment are examples of specific end-use applications. This grade of filter element should be used as a prefilter for the Grade C coalescing filter.

Grade 6 high-efficiency filter elements are used where the removal of extremely fine particulate and virtually “oil-free” or high quality air is necessary. Specific end-use applications are protection of critical air control circuits, air logic systems, flow and temperature controllers, food processing, electronics, health care and film processing.

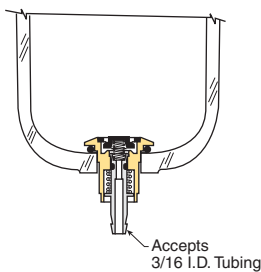
The contaminated air enters the element interior and is forced through a thick membrane of borosilicate glass fibers coated with epoxy (A). Flow then passes through an outer structural support and, at this stage, has removed up to 99.97% + of the sub-micron particles evident in the contaminated air. These tiny droplets coalesce together and are blotted from the filter surface by the drain and release layers of non-woven glass felt and rayon cloth. The drops now begin a gravitational passage to the filter sump (B) where they can be manually or automatically drained. The clean, filtered air now passes through the outer screen plastic net and out into the pneumatic system. The Air Line Coalescing Filter removes liquid aerosols



and sub-micron particulate matter. Collected liquids and particles in the “quiet zone” should be drained before their level reaches a height where they would be reentrained in the flowing air. This can be accomplished by the manual drain (C) which is actuated by twisting knob (D) counterclockwise. On the 30 Series, unscrew the drain valve (E) slightly until the liquid begins to drain.

A
Product Index Engineering Data
Product Index
Product Selection Guide
Engineering Data

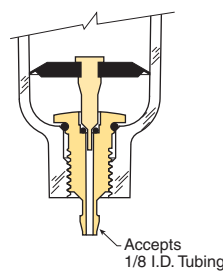
**Semi Automatic Drain**



**(Overnight Drain)**

This drain offers a semi-automatic function when there is a differential pressure in the filter which occurs when system pressure is shut off. The drain can also be used manually by gripping it with your fingertips and pushing upward.

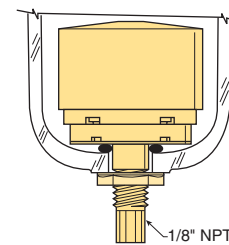
**Automatic Pulse Drain**



**(Spitter Drain)**

The diaphragm in this drain pulses when there is a pressure differential such as a valve cycling or cylinder stroking downstream. This action flexes the diaphragm and allows the filter to drain the entrapped water.

**Automatic Float Drain**

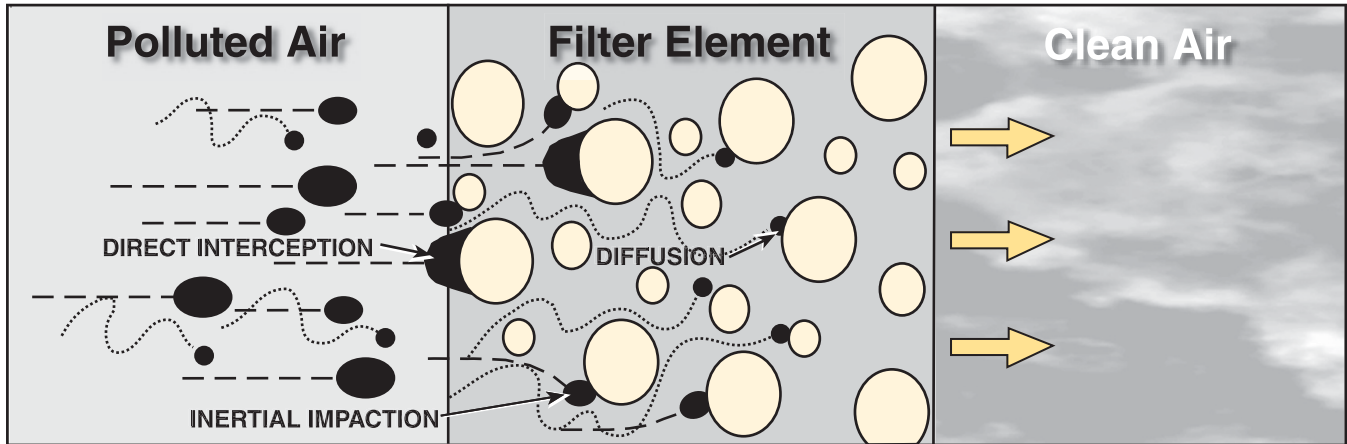


The float internal to this drain rises with increased liquid level. When the float rises, it opens a seat area allowing the trapped liquids to drain through the bottom. A manual override can be pushed in the bottom of the drain to unseat the float if particulates create a block.



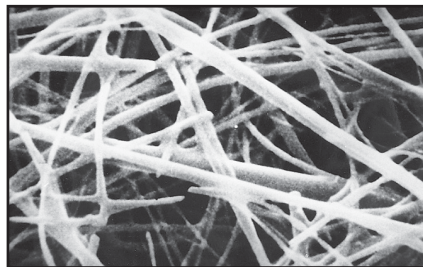
For inventory, lead time, and kit lookup, visit [www.pdnplu.com](http://www.pdnplu.com)

**Filter Technology – Mechanisms of Filtration**



**Coalescing Filters**

Essentially, coalescing filters Grade 10 (.7 micron) & 6 (.01 micron), rely on what is known as mechanical filtration for their effectiveness. The main mechanisms of mechanical filtration are direct interception, inertial impaction and diffusion. Electrostatic attraction can have some bearing although the efficiency of coalescing filters is not dependent on this mechanism.



*Above:* Clean borosilicate microfiber seen at a magnification factor of 3900.  
*Right:* The same filter material in a contaminated state at the same degree of magnification.



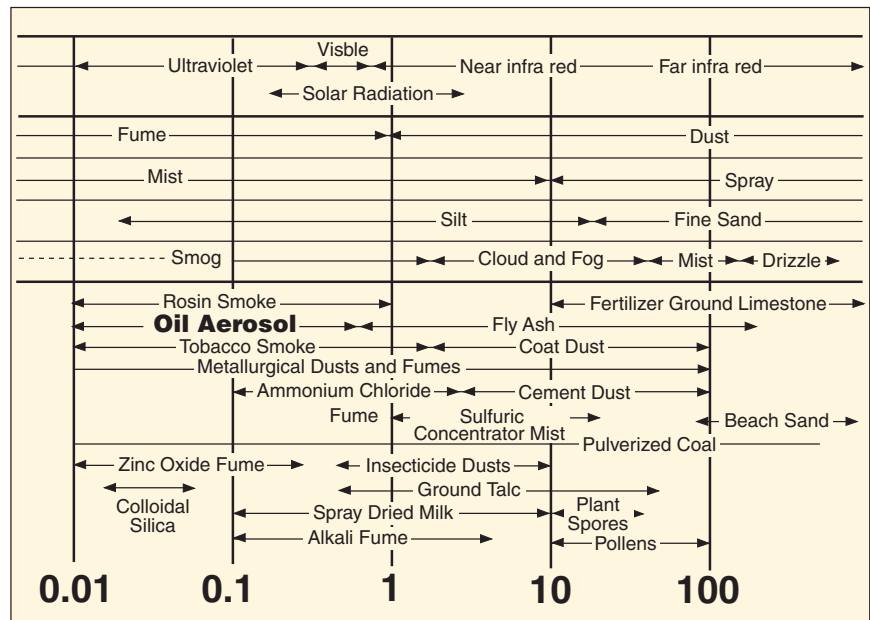
*When all mechanisms are combined and utilized by a deep bed of the correct type of filter material, removal of virtually all particles whether liquid or solid, is achieved.*

Direct Interception occurs when a particle collides with and adheres to a fiber of the filter material without deviating out of the streamline flow. This mechanism tends to take place on the surface of the filter material and affects mainly larger particles over 1 micron in size.

Inertial Impaction occurs when a particle is unable to follow the tortuous path around the filter fibers and eventually collides with and adheres to one of the fibers. Typically affecting particles in the 0.3 micron - 1 micron size range.

Diffusion or Brownian Movement, as it is sometimes called, occurs with extremely small particles which tend to wander within the gas stream, increasing their chances of colliding with and adhering to a fiber. This usually affects particles below 0.3 micron in size. A degree of overlap takes place with the mechanisms, the extent varying on the conditions.

**Pollution Size Chart**



To assist in understanding the parameters of filtration, refer to this pollution size comparison chart. Look at the size of a major contaminant, oil aerosol! It is in the region of 0.01 - 0.8 micron. Tobacco smoke is also a liquid

aerosol in a similar size band 0.01 - 1.2 micron. Observe the smoke test yourself, appreciate the size of the problem! The smallest particle the human eye can see is in the order of 40 microns.

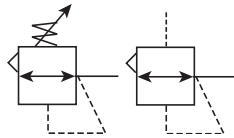


For inventory, lead times, and kit lookup, visit [www.pdnplu.com](http://www.pdnplu.com)

**A**  
 Product Index  
 Engineering Data  
 Product Index  
 Product Selection Guide  
 Engineering Data



**Regulators**

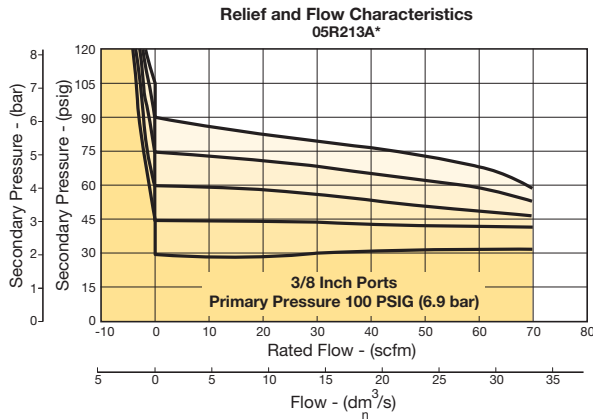


Air regulators are designed to provide quick response and accurate pressure regulation for the most demanding industrial applications.

**Regulator Selection**

1. Determine maximum system flow requirements.
2. Determine maximum allowable pressure drop at rated flow in scfm.
3. Refer to flow chart and select regulator by choosing the curve that offers minimum pressure drop at desired flow in scfm.

**Reading Flow Charts to Size Regulators**



Once the required flow is determined for a pneumatic application the regulator or filter/regulator can be selected by using the flow chart. The chart serves two different purposes. To read the flow, use the right side of the chart. To read the relief characteristics use the left side of the chart. When reading the flow chart, first determine the secondary pressure that will be used. Find the appropriate pressure curve on the graph. Given an acceptable pressure drop for an application, follow the flow curve until it intersects the pressure drop point. This will give the flow at that particular pressure drop.

**⚠ WARNING**

**Product rupture can cause serious injury.  
 Do not connect regulator to bottled gas.  
 Do not exceed Maximum primary pressure rating.**

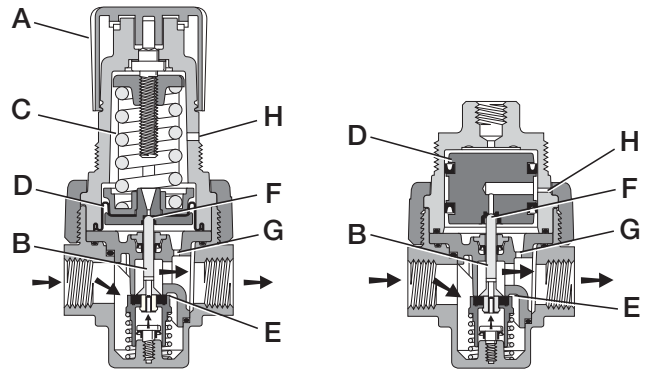
**CAUTION:**

**REGULATOR PRESSURE ADJUSTMENT** – The working range of knob adjustment is designed to permit outlet pressures within their full range. Pressure adjustment beyond this range is also possible because the knob is not a limiting device. This is a common characteristic of most industrial regulators, and limiting devices may be obtained only by special design. For best performance, regulated pressure should always be set by increasing the pressure up to the desired setting.

**General Purpose Regulators**

Used to provide a convenient and low cost method to reduce a supplied air pressure to a desired outlet pressure and transform a fluctuating air supply to a relatively constant reduced air pressure within the operating range of the regulator.

This type of regulator is generally used in a wide variety of applications where reduced pressure is highly desirable for energy conservation, safety requirements, air circuit control and air instrumentation.



**Operation**

With the adjusting knob (A) turned fully counterclockwise (no spring load), and pressure supplied to the regulator inlet port, the valve poppet assembly (B) is closed. Turning the adjusting knob clockwise applies a load to control spring (C). This load causes the piston / diaphragm (D) and the valve poppet assembly (B) to move downward allowing flow across the seat area (E) created between the poppet assembly and the seat. Pressure in the downstream line is sensed below the piston / diaphragm (D) and offsets the load of spring (C). As downstream pressure rises, poppet assembly (B) and control piston (C) move upward until the area (E) is closed and the load of the spring (C) and pressure under piston / diaphragm (D) are in balance. A reduced outlet pressure has now been obtained, depending on spring load. Creating a demand downstream, such as opening a valve, results in a reduced pressure under the piston / diaphragm (D). The load of control spring (C) now causes the poppet assembly to move downward opening seat area (E) allowing air to flow to meet the downstream demand. The flow of downstream air is metered by the amount of opening (E).

During low flow requirements, the amount of opening at the seat (E) is small, while at high flows it is large. The downstream pressure signal, which regulates the amount of opening, requires an adjustment over this range, in order to attempt a constant output. This adjustment is the orifice (G), which is sized and located in such a manner as to provide a compensation to the downstream pressure signal transmitted to the piston. This effect is called aspiration and its effect is to maintain downstream pressure nearly constant over a wide range of flow demands.

Should downstream pressure exceed the desired regulated pressure, the excess pressure will cause the piston / diaphragm (D) to move upward against control spring (C), open vent hole (F), and vent the excess pressure to atmosphere through the hole in the bonnet (H). (This occurs in the relieving type regulator only.)

**A**

Product Index  
 Engineering Data

Product Index

Product Selection Guide

Engineering Data



For inventory, lead time, and kit lookup, visit [www.pdnplu.com](http://www.pdnplu.com)

**A**

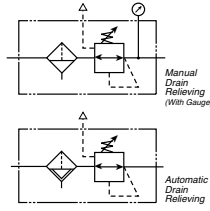
Product Index  
 Engineering Data

Product Index

Product Selection Guide

Engineering Data

**Filter / Regulators**

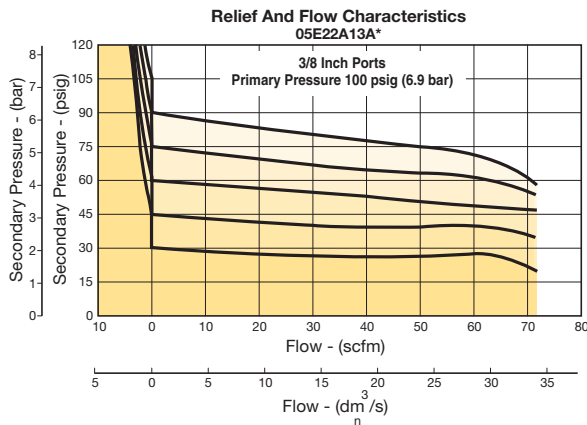


Integral Filter / Regulators are an excellent choice where accurate pressure regulation and high moisture removal efficiency are required in a space saving package.

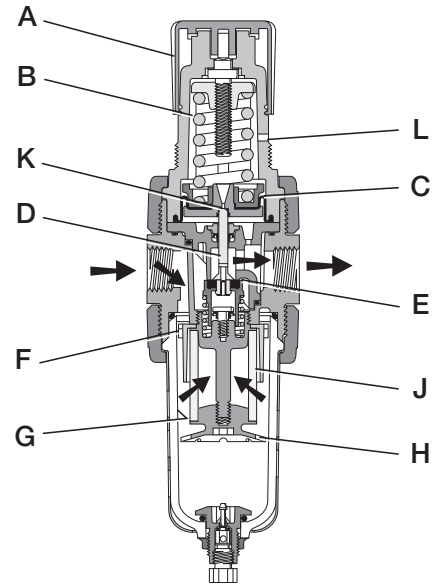
**Filter / Regulator Selection**

1. Determine maximum system flow requirements.
2. Determine maximum allowable pressure drop at rated flow in scfm.
3. Refer to flow chart and select filter/regulator by choosing the curve that offers minimum pressure drop at desired flow in scfm.

**Reading Flow Charts to Size Filter / Regulators**



Once the required flow is determined for a pneumatic application the regulator or filter/regulator can be selected by using the flow chart. The chart serves two different purposes. To read the flow, use the right side of the chart. To read the relief characteristics use the left side of the chart. When reading the flow chart, first determine the secondary pressure that will be used. Find the appropriate pressure curve on the graph. Given an acceptable pressure drop for an application, follow the flow curve until it intersects the pressure drop point. This will give the flow at that particular pressure drop.



**Operation**

Turning the knob (A) clockwise applies a load to control spring (B) which forces the piston/diaphragm (C) and valve poppet assembly (D) to move downward allowing filtered air to flow through the seat area (E) created between the poppet assembly and the seat. "First stage filtration" begins when air pressure supplied to the inlet port is directed through deflector plate (F) causing a swirling centrifugal action forcing liquids and coarse particles to the inner bowl wall (G) and down below the lower baffle (H) to the quiet zone. After liquids and large particles are removed in the first stage of filtration "second stage filtration" occurs as air flows through element (J) where smaller particles are filtered out and retained. The air flow now passes through seat area (E) to the outlet port of the unit. Pressure in the downstream line is sensed below the piston/diaphragm (C) and offsets the load of control spring (B). When downstream pressure reaches the set-point, poppet valve assembly (D) and piston/diaphragm (C) move upward closing seat area (E). Should downstream pressure exceed the desired regulated pressure, the excess pressure will cause the piston/diaphragm (C) to move upward opening vent hole (K) venting the excess pressure to atmosphere through the hole in the bonnet (L). (This occurs in the standard relieving type regulator only.)

**⚠ WARNING**

**Product rupture can cause serious injury.  
 Do not connect regulator to bottled gas.  
 Do not exceed Maximum primary pressure rating.**

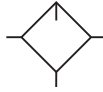
**CAUTION:**

**REGULATOR PRESSURE ADJUSTMENT** – The working range of knob adjustment is designed to permit outlet pressures within their full range. Pressure adjustment beyond this range is also possible because the knob is not a limiting device. This is a common characteristic of most industrial regulators, and limiting devices may be obtained only by special design. For best performance, regulated pressure should always be set by increasing the pressure up to the desired setting.



For inventory, lead times, and kit lookup, visit [www.pdnplu.com](http://www.pdnplu.com)

**Micro-Mist Lubricators**

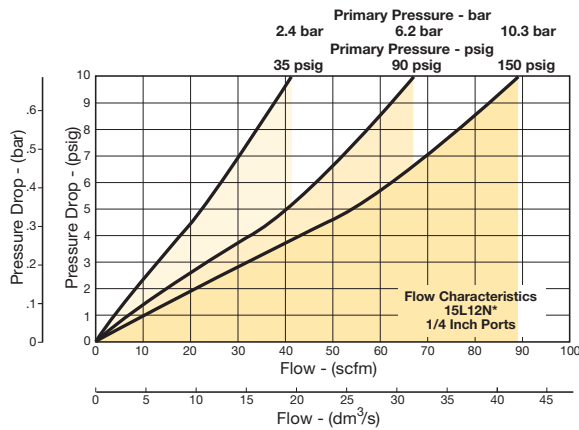


Micro-Mist Air Lubricators are designed to provide optimum and uniform lubrication with fine micro-mist particles of 2 micron or smaller, to pneumatic components even through complex piping arrangements.

**Lubricator Selection**

1. Determine maximum system flow requirements.
2. Determine maximum allowable pressure drop at rated flow in scfm.
3. Refer to flow chart and select lubricator by choosing the curve that offers minimum pressure drop at desired flow in scfm.

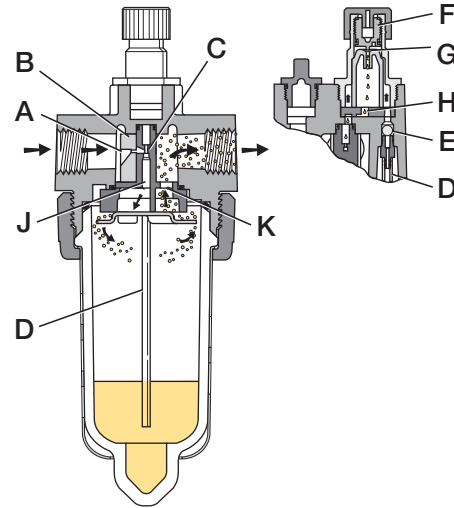
**Reading Flow Charts to Size Micro-Mist Lubricators**



Once the required flow is determined for a pneumatic application the lubricator can be selected by using the flow chart. To read the lubricator flow chart, first determine the inlet pressure that will be used. Find the appropriate pressure curve on the graph. Each graph will contain three pressure curves. If the required inlet pressure is not on the graph, interpolate a similar curve for the required pressure. Next, determine the acceptable pressure drop across the lubricator and locate it on the vertical axis. Find the intersection point of the acceptable pressure drop and the inlet pressure curve. At this point follow a vertical path downward to view the flow in scfm.

If the flow is too low, select a larger port size or body size to give the required flow. If the flow is higher than necessary, select a smaller port size or body size to give the required flow.

The Micro-Mist lubricators inject a micro-mist of oil into the flowing air stream to automatically provide the correct amount of internal lubrication for air tools and other pneumatic devices. This type of lubricator can be precisely adjusted to a very low oil flow rate because only a portion of the oil drops seen in the sight dome goes downstream. The lubricator should be used where only a very minute amount of lubricant is desirable or where it is necessary for the oil to remain in suspension in the air stream for long distances.



**Operation**

Air flowing through the unit goes through two paths. At low air flow rates, the majority of the air flows through venturi section (A). The rest of the air slightly deflects and flows by the flapper (B). The velocity of the air flowing through venturi section (A) creates a pressure drop at throat section (C). This lower pressure allows oil to be forced from the reservoir through the pickup tube (D) past the check ball (E), to the dome assembly where the rate of oil flow is controlled by metering screw (F). Rotation of the metering screw (F) in the counterclockwise direction increases the oil flow rate; in the clockwise direction decreases the oil flow rate.

Oil then flows through the clearance between the inner and outer sight domes (G) where drops are formed and drip into the nozzle tube (H). Here it is then broken into fine particles as it expands into the low pressure venturi. From there, the atomized oil flows through the precision orifice (J). This action causes the larger particles of oil to fall back into the reservoir where it can recirculate through the system. The remaining mist of fine particles (5 micron or smaller – about 3% of which passed through the sight dome) is then carried through opening (K) where it joins and mixes with air that bypassed the flapper (B). As air flow rate increases, the flapper (B) deflects, allowing most of the inlet air to bypass the venturi section (A).

However, a proportion of the inlet air passes through the venturi, assuring that oil delivery increases linearly with increased air flow rate. This proportioning method is advantageous at low inlet flows because the venturi design remains efficient.

The check ball (E) prevents reverse oil flow down the pickup tube when air flow stops. Thus, oil delivery can resume immediately when air flow restarts. **Micro-Mist Lubricators can only be filled when the air supply is shut off.**

**A**

Product Index  
 Engineering Data

Product  
 Index

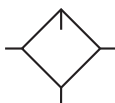
Product  
 Selection Guide

Engineering  
 Data



For inventory, lead time, and kit lookup, visit [www.pdnplu.com](http://www.pdnplu.com)

**Mist Lubricators**

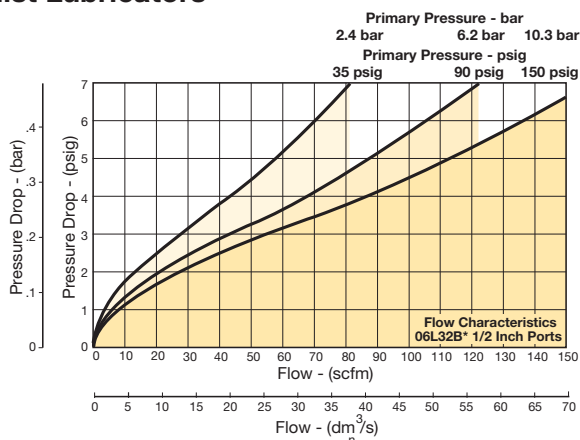


Mist Air Lubricators are designed to provide lubrication for most general applications in a pneumatic system. Units should be installed close to the application ensuring effective distribution of oil to pneumatic components.

**Lubricator Selection**

1. Determine maximum system flow requirements.
2. Determine maximum allowable pressure drop at rated flow in scfm.
3. Refer to flow chart and select lubricator by choosing the curve that offers minimum pressure drop at desired flow in scfm.

**Reading Flow Charts to Size Mist Lubricators**



Once the required flow is determined for a pneumatic application the lubricator can be selected by using the flow chart. To read the lubricator flow chart, first determine the inlet pressure that will be used. Find the appropriate pressure curve on the graph. Each graph will contain three pressure curves. If the required inlet pressure is not on the graph, interpolate a similar curve for the required pressure. Next, determine the acceptable pressure drop across the lubricator and locate it on the vertical axis. Find the intersection point of the acceptable pressure drop and the inlet pressure curve. At this point follow a vertical path downward to view the flow in scfm.

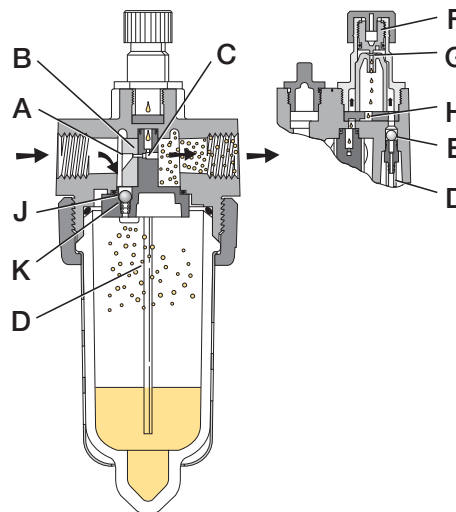
If the flow is too low, select a larger port size or body size to give the required flow. If the flow is higher than necessary, select a smaller port size or body size to give the required flow.

**F442 Oil**



Quantity	Part numbers
1 Quart	F442001
1 Gallon	F442002
12 Quart Case	F442003
4 Gallon Case	F442005

These lubricators inject an oil aerosol into the flowing air stream to automatically provide the proper amount of internal lubrication to air operated tools or other pneumatic devices.



**Operation**

Air flowing through the unit goes through two paths. At low air flow rates, the majority of the air flows through venturi section (A). The rest of the air slightly deflects and flows by the flapper (B), restrictor disc (M) on the 09L. The velocity of the air flowing through venturi section (A) creates a pressure drop at throat section (C). This lower pressure allows oil to be forced from the reservoir through the pickup tube (D) past the check ball (E), to the dome assembly where the rate of oil flow is controlled by metering screw (F). Rotation of the metering screw (F) in the counterclockwise direction increases the oil flow rate; in the clockwise direction decreases the oil flow rate. Oil then flows through the clearance between inner and outer sight domes (G) where drops are formed and drip into the nozzle tube (H). On the 09L, oil flows through the drip tube (F) where drops are formed and drip into the throat section (C). Here it is then broken into fine particles and mixed with the swirling air to be carried to the venturi outlet where it joins the air by passing the flapper (B), (M). As air flow rate increases, the flapper (B), (M) deflects, allowing a greater part of the additional air to bypass the venturi section (A). This assures the oil delivery rate increases linearly with increased air flow rate. The check ball (E) assures that when there is no oil flow the oil in the pickup tube does not return to the reservoir.

The bowl can be filled under pressure due to the action of the check ball (J). When the fill cap is removed, air in the bowl escapes and pressure forces the check ball (J) to nearly seal at (K). When the fill cap is replaced, the small amount of air flow past check ball (J) builds up pressure and together with the spring forces the check ball (J) off seat (K), letting full line pressure into the bowl.

Petroleum based oil of 100 to 200 SSU viscosity at 100°F and an aniline point greater than 200°F

(DO NOT USE OILS WITH ADDITIVES, COMPOUNDED OILS CONTAINING SOLVENTS, GRAPHITE, DETERGENTS, OR SYNTHETIC OILS.)

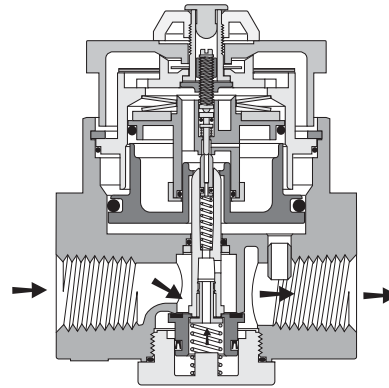


For inventory, lead times, and kit lookup, visit [www.pdnplu.com](http://www.pdnplu.com)

## Dial Regulator

The Dial Regulator is a constant bleed, piston operated regulator. The pilot controlled pressure reducing valve provides exceptionally high air flow with steady pressure control and minimal secondary pressure drop. The non-rising adjustment knob provides quick selection of the desired secondary pressure in less than one full turn. The adjustment knob also can serve as the pressure indicator thereby eliminating the need for a pressure gauge.

This regulator is specifically designed for applications requiring more accurate air circuit control, high air flow capacity with flat performance curves and quick regulator adjustment. The regulator can be used as a conventional regulator for standard air circuits or as a pilot regulator to provide pressure to the control chamber of a pilot operated (slave) regulator.



## Operation

To set the regulator, turn the large dial adjustment knob to the desired secondary set pressure. This opens the pilot valve seat allowing air flow into the control chamber which forces the lower piston downward against the relief seat and opens the main valve. At the same time, the air in the control chamber forces the upper piston upward against Belleville springs which closes the pilot valve seat when the set pressure is attained. Secondary pressure in the chamber is now balanced against the control pressure through the lower piston. If demand flow increases, the constant control pressure will force the lower piston and the main valve further downward, and allow more flow downstream. A higher than desired secondary pressure will force the lower piston upward, closing the main valve seat and opening the main relief valve seat thereby allowing air to relieve to the atmosphere. For best performance, regulated pressure should always be set by increasing the pressure up to the desired setting.

**⚠ WARNING**

**Product rupture can cause serious injury.  
Do not connect regulator to bottled gas.  
Do not exceed Maximum primary pressure rating.**

**A**

Product Index  
Engineering Data

Product  
Index

Product  
Selection Guide

Engineering  
Data

**A**

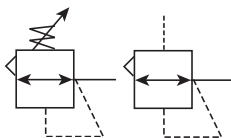
Product Index  
 Engineering Data

Product Index

Product Selection Guide

Engineering Data

## Precision Regulators

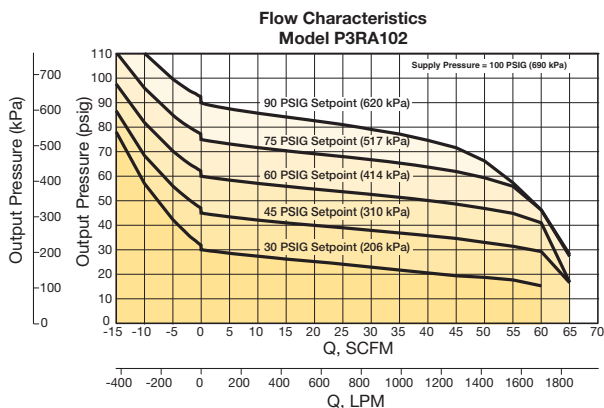


Air regulators are designed to provide quick response and accurate pressure regulation for the most demanding industrial applications.

### Regulator Selection

1. Determine maximum system flow requirements.
2. Determine maximum allowable pressure drop at rated flow in scfm.
3. Refer to flow chart and select regulator by choosing the curve that offers minimum pressure drop at desired flow in scfm.

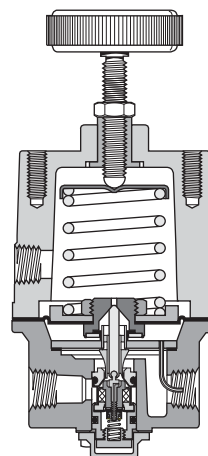
### Reading Flow Charts to Size Regulators



Once the required flow is determined for a pneumatic application the regulator or filter/regulator can be selected by using the flow chart. The chart serves two different purposes. To read the flow, use the right side of the chart. To read the relief characteristics use the left side of the chart. When reading the flow chart, first determine the secondary pressure that will be used. Find the appropriate pressure curve on the graph. Given an acceptable pressure drop for an application, follow the flow curve until it intersects the pressure drop point. This will give the flow at that particular pressure drop.

## Precision Regulator

For use in applications that require reliable performance and accurate pressure control. This type of regulator is generally used for material handling systems, flow and temperature controllers, critical air control circuits, medical and scientific test equipment, and valve positioners.



### Operation

Set the desired secondary pressure by turning the adjustment knob clockwise. This action increases the regulating spring force against the top of the diaphragm disc. When the spring force above exceeds the air pressure beneath the diaphragm, it is transmitted by the valve stem and opens the valve. Airflow through the regulator now occurs.

A precisely designed and positioned aspirator tube constantly transmits the secondary pressure to the under side of the diaphragm so that during flow conditions any pressure loss can be quickly compensated for. When flow is no longer required, the outlet pressure increases slightly, allowing the diaphragm to rise, the valve to close, and set pressure to be maintained.

On self-relieving models, if outlet pressure should increase above the set pressure, the diaphragm will rise therefore opening the relief seal between the diaphragm and the valve. The excess outlet pressure is then vented through the diaphragm orifice into the bonnet and subsequently to the atmosphere through an orifice in the bonnet. For best performance, regulated pressure should always be set by increasing the pressure to the desired setting.

**⚠ WARNING**

**Product rupture can cause serious injury.  
 Do not connect regulator to bottled gas.  
 Do not exceed Maximum primary pressure rating.**

### CAUTION:

**REGULATOR PRESSURE ADJUSTMENT** – The working range of knob adjustment is designed to permit outlet pressures within their full range. Pressure adjustment beyond this range is also possible because the knob is not a limiting device. This is a common characteristic of most industrial regulators, and limiting devices may be obtained only by special design. For best performance, regulated pressure should always be set by increasing the pressure up to the desired setting.



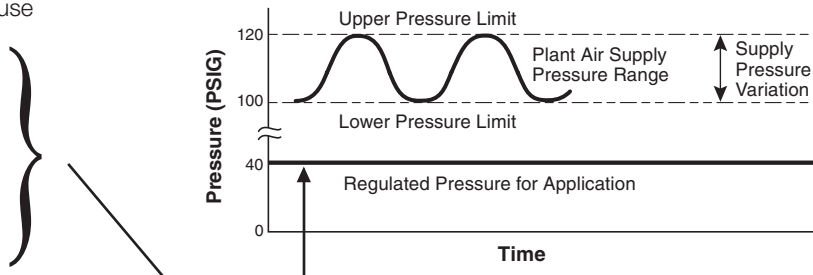
For inventory, lead times, and kit lookup, visit [www.pdnplu.com](http://www.pdnplu.com)

**Precision Regulators Application Guide**

Pneumatic pressure regulators are designed to provide a constant pressure output from a fluctuating supply pressure – much the way an electronic voltage regulator works. Pressure regulators provide varying degrees of accuracy with regard to their reduced pressure output. General Purpose pressure regulators work for most fluid power applications. However, for more pressure-critical applications precision regulators can provide the customer with the control they need.

A partial listing of things that can potentially cause regulator output pressure variation are:

- Temperature changes
- Inlet pressure changes
- Variations in flow
- Excess downstream pressure
- Cycling
- Time
- Leakage



**Who needs precision regulators?**

**Design level applications:**

When designing a pneumatic system it is important to determine not only the air flow that the application will require but also the acceptable level of pressure variation. Some pneumatic applications cannot tolerate fluctuations in pressure. These applications can include static situations with only a steady pressure maintained, or dynamic flow situations involving any number of changing variables in play while trying to maintain a constant pressure.

**Problem solving device for existing applications:**

Sometimes an existing pneumatic application does not meet the customer’s needs with regards to pressure control and/or stability. Any or all of the variables listed above can cause issues with pressure stability. As applications are expanded, added on to, or modified the pressure and flow requirements can change.

**How do precision regulators differ from general purpose pneumatic regulators?**

Examples →	High Precision Regulators P3RA302, P3RA102, P3RA102BP, P3RA171	Semi-Precision Regulators 27R, Dial Regulators, R216	General Purpose Regulators 05R, 06R, 07R, P3NR, R119
Sensitivity: Reduced pressure repeatability/variation under no-flow condition	.005 to .010 psig (1/8" to 1/4" of water column)	1 to 2 psig	3 to 4 psig
Regulator’s ability to control back pressure accurately: *key for cylinder applications	Begins to relieve at .005 to .010 psig overpressure	Begins to relieve at .5 to 2 psig overpressure	Begins to relieve at 5 to 10 psig overpressure
Regulator’s ability to maintain set pressure under varying flow, input pressure, temperature conditions:	High	Medium	Standard
Constant Bleed - does the regulator constantly bleed a small volume of air to the atmosphere to maintain stability?	Yes	Yes	No

**1" Water Column = .0360 PSI**  
**1 psi = 27.7612 Inches Water Column**

**A**

Product Index  
 Engineering Data

Product  
 Index

Product  
 Selection Guide

Engineering  
 Data



For inventory, lead time, and kit  
 lookup, visit [www.pdnplu.com](http://www.pdnplu.com)

**Application Chart**

**Original Equipment Manufacturers (OEMs)**

Engineering Data	Product Index	Air Gauging	Manufacturers of Air Gauging Equipment.
		Anesthesia Equipment	Manufacturers
		Calibration Stands	Similar to Test Stands
		Clamping Pressure Control	End Effect Grippers, Roll Loading
		Control Panels	Manufacturers and Users
		Coordinate Measuring Machines	Manufacturers use in Force Counterbalance Applications in Z-axis
		Dispensing Equipment	Adhesive, Paint, or any other form of Liquid or Gas
		Food Process Machinery	Manufacturers
		Gas Analyzers	Used for Reference and Calibration Air Pressures
		Ink or Paint Robotics Spraying Systems	Manufacturers use to Maintain an Even Pressure on System
Product Index	Product	Leak Testing Equipment	Manufacturers of Equipment that Detects Leaks (i.e., Plastic Bottles)
		Medical Equipment	Manufacturers that Utilize for Blood Processing and Sampling as Examples
		Oxygen Ventilators	Manufacturers
		Pharmaceutical Process Machinery	Pill or Tablet Making Machines
		Phone Cable Pressurization Systems	Manufacturers
Product Selection Guide	Product	Polishing Machinery	Used to Maintain Even Pressure on Polishing Head
		Semi-conductor Manufacturing Machinery	Manufacturers
		Smoke Stack Analyzers	Used for Reference and Calibration Air Pressures
		Soil or Environmental Analysis Equipment	Used for Reference and Calibration Air Pressures
		Tank Blanketing	Maintain Pressure on Top Level of a Tank or Storage Vessel
Engineering Data	Product	Test Equipment	Similar to Test Stands
		Test Stands	Manufacturers of Test Stands, Laboratory Test Stands, Engineering Test Stands, Production Test Stands
		Tool Balancers	Manufacturers of Tool Balancers, Manipulators, and Articulating Arms use High Relief Capacity Precision Regulators in a Force-balancing Application. Used as part of a Pneumatic Counter-balance System, the Regulator helps suspend the tool in the air and then makes it easy to move out of the way when not in use.
		Web Tensioning	Machinery Builders for Printing Presses, Paper Converting, Packaging, Textiles, Plastics. Primarily Unwind Stands and Rewind Stands.

**System Integrators**

Automation Integrators	Anyone Involved in Designs or Projects that Automate Processes
------------------------	--

**Energy Controls Systems**

HVAC	Anyone who would be involved in Designs that would include Damper and Louvre Control for HVAC Applications
------	--

**End Users**

Instrumentation Supervisors
Instrumentation Technicians
Project Engineers
Store Room Supervisors

**MRO**

Chemical
Petrochemical
Pulp & Paper
Food & Drug
Refineries
Power
Mining
Oil & Gas



For inventory, lead times, and kit lookup, visit [www.pdnplu.com](http://www.pdnplu.com)



**Parker is protecting your most valuable assets...**

**A**

Product Index  
 Engineering Data

Product Index

Product Selection Guide

Engineering Data



Standard 190.147

- This applies to the servicing and maintenance of a machine or equipment.
- Any new, replacement, repair, or renovation to a machine must include an energy isolation device that can accept a lock out device.
- Lock out devices should not be used for any other purposes
- Verification of energy isolation is required



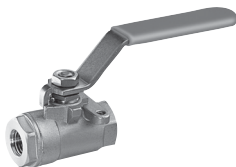
Standard Z244

- This applies to all machines
- Lockout / tagout is the primary method of hazardous energy control
- Machines shall be designed, manufactured, supplied, and installed with energy isolating devices



- B11.0 applies to a broad range of machines, B11.TR6 is specific to machine tools, and B155.1 is specific to packaging and converting machines
- Energy isolating device shall:
  - Be capable of being locked in the OFF position only
  - Be easy to operate
  - Have an exhaust port equal or greater than its supply port
  - Have a pressure indicator that is visible to an operator to verify line is relieved of pressure

**...By offering the best in pneumatic safety for machine maintenance:**



**Traditional Ball Valve**

- Not a dedicated energy isolation device** ✘
- Not a full exhaust port** ✘
- No verification of line exhaust** ✘
- Can be locked ON** ✘
- Not easily identifiable** ✘



**Parker Solution**

- ✓ Dedicated energy isolation device**
- ✓ Full exhaust port**
- ✓ Verification of line exhaust**
- ✓ Only lockable in OFF position**
- ✓ Easily identifiable**



For inventory, lead time, and kit lookup, visit [www.pdnplu.com](http://www.pdnplu.com)

**A**

Product Index  
Engineering Data

Product Index

Product Selection Guide

Engineering Data

## Compressed air and its purification from generation to application

Compressed air is an essential power source that is widely used throughout industry. This safe, powerful and reliable utility can be the most important part of your production process. However, your compressed air will contain water, dirt, wear particles and even degraded lubricating oil which all mix together to form an unwanted condensate. This condensate often acidic, rapidly wears tools and pneumatic machinery, blocks valves and orifices causing high maintenance and costly air leaks. It also corrodes piping systems and can bring your production process to an extremely expensive standstill!

The quality of air required throughout a typical compressed air system can vary.

It is highly recommended that the compressed air is treated prior to entry into the distribution system as well as at each usage point or application.

This approach to system design provides the most cost effective solution to system purification as it not only removes the contamination already in the distribution system, it ensures that only the most critical areas receive air treated to the highest level.

In many instances the compressed air system will be supplying air to more than one application and although the purification equipment specified in the compressor room would remain unchanged, the point of use protection will vary depending upon the air quality requirements of each application.

In many cases this action alone is not enough, as modern production systems and processes demand an even higher level of air quality. Where required, "point of use" filtration, refrigeration or desiccant air dryers can provide the correct air quality, without the need for drying the complete compressed air installation, which can be both costly and totally unnecessary.

## Sources of contamination found in a compressed air system

Contaminants in a compressed air system can generally be attributed to the following:

The quality of air being drawn into the compressor  
Air compressors draw in a large volume of air from the surrounding atmosphere containing large numbers of airborne contaminants.

The type and operation of the air compressor  
The air compressor itself can also add contamination, from wear particles to coolants and lubricants.

Compressed air storage devices and distribution systems  
The air receiver and system piping are designed to store and distribute the compressed air. As a consequence, they will also store the large amounts of contaminants drawn into the system. Additionally, piping and air receivers will also cool the moist compressed air forming condensate which causes damage and corrosion.

### Atmospheric dirt

Atmospheric air in an industrial environment typically contains 183 million per  $\text{yd}^3$  (140 million per  $\text{m}^3$ ) of dirt particles. 80% of these particles are less than 2 microns in size and are too small to be captured by the compressor intake filter, therefore passing directly into the compressed air system.

## Water vapor, condensed water and water aerosols

Atmospheric air contains water vapor (water in a gaseous form). The ability of compressed air to hold water vapor is dependent upon its temperature. The higher the temperature, the more water vapor that can be held by the air. During compression, the air temperature is increased significantly, which allows it to easily retain the incoming moisture. After the compression stage, air is normally cooled to a usable temperature. This reduces the air's ability to retain water vapor, resulting in a proportion of the water vapor being condensed into liquid water which is removed by a condensate drain fitted to the compressor after-cooler. The air leaving the after-cooler is now 100% saturated with water vapor and any further cooling of the air will result in more water vapor condensing into liquid water. Condensation occurs at various stages throughout the system as the air is cooled further by the air receiver, piping and the expansion of valves, cylinders, tools and machinery. The condensed water and water aerosols cause corrosion to the storage and distribution system, damage production equipment and the end product. It also reduces production efficiency and increases maintenance costs. Water in any form must be removed to enable the system to run correctly and efficiently.

### Rust and pipescale

Rust and pipescale can be found in air receivers and the piping of "wet systems" (systems without adequate purification equipment) or systems which were operated "wet" prior to purification being installed. Over time, this contamination breaks away to cause damage or blockage in production which can also contaminate final product and processes.

### Micro-organisms

Bacteria and viruses will also be drawn into the compressed air system through the compressor intake and warm, moist air provides an ideal environment for the growth of micro-organisms. If only a few micro-organisms were to enter a clean environment, a sterile process or production system, enormous damage could be caused that not only diminishes product quality, but may even render a product entirely unfit for use and subject to recall.

### Liquid oil and oil aerosols

Most air compressors use oil in the compression stage for sealing, lubrication and cooling. During operation, lubricating oil is carried over into the compressed air system as liquid oil and aerosols. This oil mixes with water vapor in the air and is often very acidic, causing damage to the compressed air storage and distribution system, production equipment and final product.

### Oil vapor

In addition to dirt and water vapor, atmospheric air also contains oil in the form of unburned hydrocarbons. The unburned hydrocarbons drawn into the compressor intake as well as vaporized oil from the compression stage of a lubricated compressor will carry over into a compressed air system where it can cool and condense, causing the same contamination issues as liquid oil.



For inventory, lead times, and kit lookup, visit [www.pdnplu.com](http://www.pdnplu.com)

**Compressed air quality standards – ISO 8573**

ISO 8573 is the group of International standards relating to the quality of compressed air and consists of nine separate parts. Part 1 specifies the quality requirements of the compressed air and parts 2 - 9 specify the methods of testing for a range of contaminants.

ISO 8573.1 : 2010 is the primary document used from the ISO 8573 series and it is this document which allows the user to specify the air quality or purity required at key points in a compressed air system.

ISO8573-1 lists the main contaminants as Solid Particulate, Water and oil. The purity levels for each contaminant are shown in separate tables, however for ease of use, this document combines all three contaminants into one easy to use table.

ISO8573-1:2010 Class	Solid Particulate			Water		Oil	
	Maximum number of particles per m <sup>3</sup>			Concentration	Vapor	Liquid	Total oil (aerosol, liquid and vapor)
	0.1 - 0.5 micron	0.5 - 1 micron	1 - 5 micron	mg/m <sup>3</sup>	Pressure Dewpoint	g/m <sup>3</sup>	ppm (mg/m <sup>3</sup> )
0	As specified by the equipment user or supplier and more stringent than Class 1						
1	≤ 20,000	≤ 400	≤ 10	—	≤ -94°F (-70°C)	—	0.008 (0.01)
2	≤ 400,000	≤ 6,000	≤ 100	—	≤ -40°F (-40°C)	—	0.08 (0.1)
3	—	≤ 90,000	≤ 1,000	—	≤ -4°F (-20°C)	—	0.83 (1)
4	—	—	≤ 10,000	—	≤ 37°F (3°C)	—	4.2 (5)
5	—	—	≤ 100,000	—	≤ 45°F (7°C)	—	—
6	—	—	—	≤ 5	≤ 50F (10°C)	—	—
7	—	—	—	5 - 10	—	≤ 0.5	—
8	—	—	—	—	—	0.5 - 5	—
9	—	—	—	—	—	5 - 10	—
X	—	—	—	≤ 10	—	≤ 10	≤ 10

**Specifying air purity in accordance with ISO 8573-1:2010**

When specifying the purity of air required, the standard must always be referenced, followed by the purity class selected for each contaminant (a different purity class can be selected for each contaminant if required). An example of how to write an air quality specification is shown below:

**Example:**

**ISO 8573-1:2010 Class 1.2.1**

ISO8573-1:2010 refers to the standard document and its revision, the three digits refer to the purity classifications selected for solid particulate, water and total oil. Selecting an air purity class of 1.2.1 would specify the following air quality when operating at the standard’s reference conditions:

**Class 1, Particulate**

In each cubic meter of compressed air, the particulate count should not exceed 20,000 particles in the 0.1 - 0.5 micron size range, 400 particles in the 0.5 - 1 micron size range and 10 particles in the 1 - 5 micron size range.

**Class 2, Water**

A pressure dewpoint (PDP) of -40°F (-40°C) or better is required and no liquid water is allowed.

**Class 2, Oil**

In each cubic meter of compressed air, not more than 0.01mg of oil is allowed. This is a total level for liquid oil, oil aerosol and oil vapor.

**Cost effective system design**

To achieve the stringent air quality levels required for today’s modern production facilities, a careful approach to system design, commissioning and operation must be employed.

Treatment at one point alone is not enough and it is highly recommended that the compressed air is treated in the compressor room to a level that will provide general purpose air to the site and also protect the distribution piping.

Point of use purification should also be employed, not only to remove any contamination remaining in the distribution system, but also with specific attention on the quality of air required by each application. This approach to system design ensures that air is not “over treated” and provides the most cost effective solution to high quality compressed air.



For inventory, lead time, and kit lookup, visit [www.pdnplu.com](http://www.pdnplu.com)

**A**

Product Index  
 Engineering Data

Product Index

Product Selection Guide

Engineering Data

**A**

**Product Index**  
**Engineering Data**

**Product Index**

**Product Selection Guide**

**Engineering Data**

## Up to 99% of the total liquid contamination found in a compressed air system is water.

Oil is perceived to cause the most problems as it is seen emanating from open drain points and exhausting valves, however, in the majority of instances, it is actually oily condensate (oil mixed with water) that is being observed.

## How much water can be found in a typical compressed air system?

The amount of water in a compressed air system is staggering. A small 100 scfm (2.8m<sup>3</sup>/min) compressor and refrigeration dryer combination, operating for 4,000 hours in typical climatic conditions can produce approximately 2,200 gallons (8,328 liters) of liquid condensate per year.

If the compressor is oil lubricated with a typical 2ppm (2 mg/m<sup>3</sup>) oil carryover, then although the resulting condensate would visually resemble oil, oil would in fact account for less than 0.1% of the overall volume and it is this resemblance to oil to which a false association is made.

The example above assumes uses a small compressor to highlight the large volume of condensate produced. If a compressed air system was operated in warmer, more humid climates, or with larger compressors installed, running for longer periods, the volume of condensate would increase significantly.

## Contamination and types of compressors

It is often believed that the level of compressed air purification equipment required in a system is dependent upon the type of compressor used. Contamination in a compressed air system originates from many sources and is not related solely to the compressor or it's lubricants. No matter what compressor type is selected, adequate filtration and separation products will be required to remove the large volume of dirty contaminated water as well as the dirt, rust, pipescale and microbiological contamination in the system.

## Preventative maintenance provides you with the following benefits:

- Lowest operating costs
- Superior compressed air quality
- Continued protection of downstream equipment and processes
- Peace of mind

## Compressed air and it's purification

Having identified the different types of contamination that can be found within a compressed air system, we can now examine the purification technologies available for it's removal.

## Particle and coalescing filters

Coalescing filters are probably the most important items of purification equipment in any compressed air system. They are designed to remove oil and water aerosols using mechanical filtration techniques and have the additional benefit of removing solid particulate to very low levels (as small as 0.01 micron in size). Installed in pairs, most users believe one to be an oil removal filter and the other to be a particulate filter, when in fact, the pair of filters both perform the same function. The first filter, a general purpose filter is used to protect the high efficiency filter against bulk contamination. This "dual filter" installation ensures a continuous supply of high quality compressed air with low operational costs and minimal maintenance time.

## Bulk liquid removal high efficiency water separators

Used to protect filters in systems where excessive cooling takes place in distribution piping. Water Separators will remove in excess of 98% of bulk liquid contamination through centrifugal separation techniques.

## Refrigeration dryers

Refrigeration dryers work by cooling the air, so are limited to positive pressure dewpoint ratings to prevent freezing of the condensed liquid. Ideal for general purpose applications, they typically provide pressure dewpoints of 38°F (3°C), 45°F (7°C) or 50°F (10°C) pdp. Air is reheated before it re-enters the system to prevent piping from "sweating" in humid conditions. Refrigeration dryers are not suitable for installations where piping is installed in ambient temperatures below the dryer dewpoint i.e. systems with external piping.

## Adsorption (desiccant) dryers

Water vapor is water in a gaseous form and is removed from compressed air using a dryer, with dryer performance being measured as pressure dewpoint. Adsorption or desiccant dryers remove moisture by passing air over a regenerative adsorbent material which strips the moisture from the air. This type of dryer is extremely efficient and typical pressure dewpoint ratings are -40°F (-40°C) or -100°F (-70°C) pdp. This means that for water vapor to condense into a liquid, the air temperature would have to drop below -40°F (-40°C) to -100°F (-70°C) respectively (the actual air temperature after an adsorption dryer is not the same as it's dewpoint).

Beneficially, a pressure dewpoint of -15°F (-26°C) or better will not only prevent corrosion, but will also inhibit the growth of microorganisms within the compressed air system.

## Important note regarding compressed air dryers

As adsorption and refrigeration dryers are designed to remove only water vapor and not water in a liquid form, they require the use of particulate and coalescing filters, and possibly a bulk liquid separator to work efficiently.

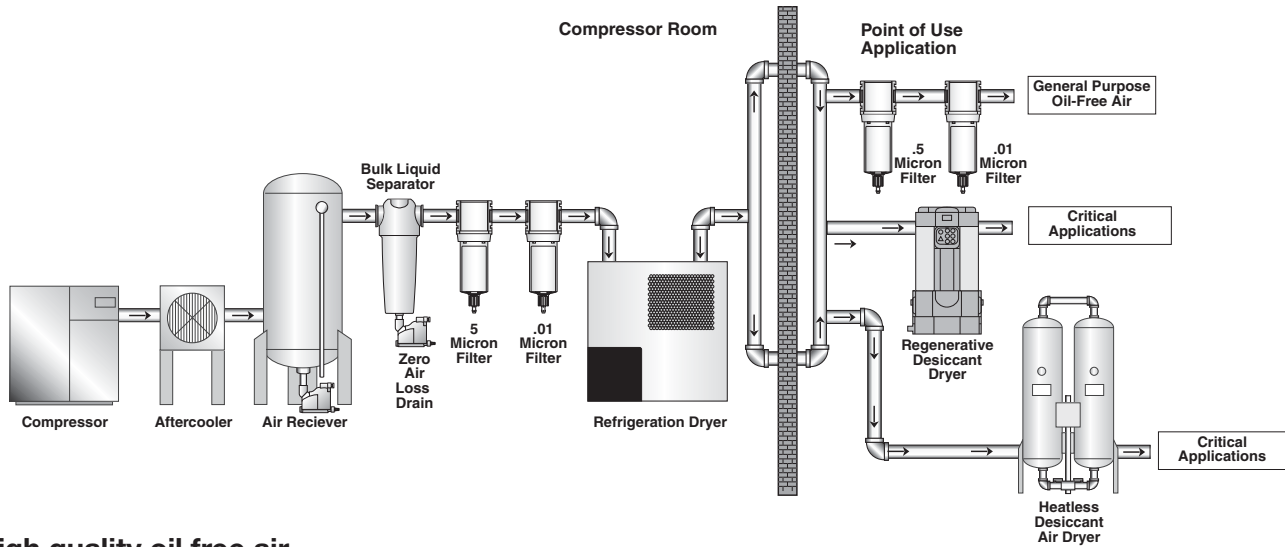


**General purpose oil free air**

Bulk contamination is removed to an adequate level prior to the air entering the distribution system. Point of use particulate filter(s) are used for removal of contamination within the distribution system. Point of use adsorption dryer installed where lower dewpoints are required.

**Typical applications**

- Plant automation
- Air logistics
- Pneumatic tools
- General instrumentation
- Air conveying
- Air motors
- Temperature control systems
- Blow guns
- Gauging equipment
- Raw material mixing
- Sand / bead blasting

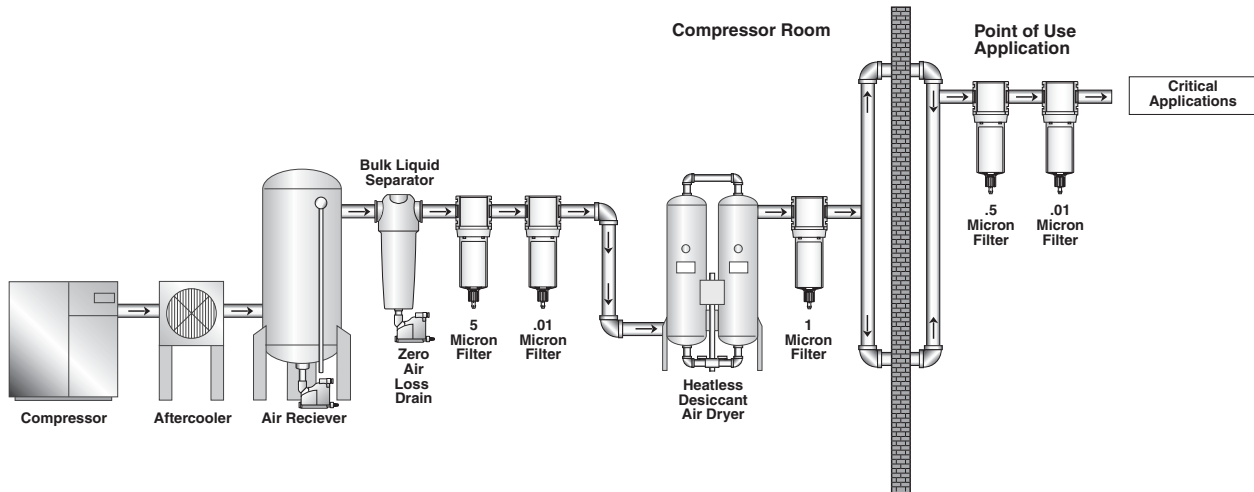


**High quality oil free air**

Bulk contamination is removed to an adequate level prior to the air entering the distribution system. Point of use particulate filter(s) are used for removal of contamination within the distribution system. Adsorption dryers are used for critical applications where lower dewpoints are required.

**Typical applications**

- Blow molding of plastics e.g. P.E.T. bottles
- Film processing
- Critical instrumentation
- Advanced pneumatics
- Air blast circuit breakers
- Decompression chambers
- Cosmetic production
- Medical air
- Dental air
- Lasers and optics
- Robotics
- Spray painting
- Air bearings
- Pipeline purging
- Measuring equipment



<b>A</b>
Product Index Engineering Data
Product Index
Product Selection Guide
Engineering Data



For inventory, lead time, and kit lookup, visit [www.pdnplu.com](http://www.pdnplu.com)

**A**

Product Index  
Engineering Data





## Air Preparation Products

### Global Air Preparation Series

<a href="#">Introduction</a>	B2-B7
<a href="#">Particulate Filters</a>	B8-B13
<a href="#">Coalescing Filters</a>	B14-B19
<a href="#">Regulators</a>	B20-B31
<a href="#">Proportional Regulators</a>	B32-B41
<a href="#">Filter / Regulators</a>	B42-B49
<a href="#">Lubricators</a>	B50-B55
<a href="#">Combinations</a>	B56-B59
<a href="#">Dump Valves / Soft Start Valves</a>	B60-B65
<a href="#">Redundant Safety Exhaust Valve</a>	B66-B69
<a href="#">Accessories</a>	B70-B80



For inventory, lead time, and kit lookup, visit [www.pdnplu.com](http://www.pdnplu.com)

<b>B</b>
Global Air Preparation
Introduction
Filters
Coalescers
Regulators
Filter / Regulators
Lubricators
Combinations
Accessories and Kits



**DECLARATION OF COMPLIANCE (ROHS)**

European Directive 2011/65/EU – RoHS (Restriction us of certain Hazardous Substances in electrical and electronic equipment), restricts the use of the 6 substances in the manufacture of specified electrical equipment.

**Lead:** Product containing lead and its compound (except for applications of lead as an alloying element by weight in steel up to 0.35%, in aluminium up to 0.4% and in copper alloys up to 4% and in circuit board solder) must not exceed 0.1% by weight

**Mercury:** The concentration level must not exceed 0.1% by volume

**Cadmium:** The concentration level must not exceed 0.01% by volume

**Hexavalent Chromioui:**  
This is a corrosive protective finish used on our product line. Where this finish is utilized the Chromate solution is Hexavalent (Chrome 6) free.

**Polybrominated Biphenyls (PBB):**  
The concentration level must not exceed 0.1% by weight. This substance is not know to be in any of our products.

**Polybrominated Diphenyl Esters (PBDE):**  
The concentration level must not exceed 0.1% by weight. This substance is not know to be in any of our products.



Global Air Preparation products supplied by Parker Hannifin have been designed and manufactured in accordance with “sound engineering practice”, as defined by Article 3 of Pressure Equipment Directive 97/23/EC.



Global Air Preparation product range is in compliance with REACH to ensure continued compliance additions to the list of SVHC (Substance of Very High Concern) are reviewed periodically.

Global Air Preparation product range has been third party Shock & Vibration tested independently in accordance to EN 61373 : 1999, Category 2



Following Ignition Hazard Assessments performed on the non-electrical Global Air Preparation products they are in accordance with the requirements of EN 13463-1:2009, it was considered that the equipment does not contain its own source of ignition, and therefore is not within the scope of directive 94/9/EC.

The products can be used in a Group II Category 2 environment assuming that the ATEX Directive and the following conditions are complied with:

- Installation and maintenance of the product must be undertaken by qualified personnel.
- Do not mount the products in an area where impact may occur.
- Filters must be used to limit the introduction of particles and to capture particles generated in service.
- Supply air quality must be within ISO 8573-1:2010 Class 1.4.2.
- Maximum working temperature to be as stated on product label.
- WARNING – pulsating pressure and/or a closed circuit can generate heat.
- Deposits of dust on the product must not exceed 5mm thickness.  
Refer to technical file for surface areas of plastics. The unit must be earthed via the compressed air supply line.
- The unit must not come into contact with liquid solvents, acids or alkalis  
Refer to technical file for chemicals known to be incompatible. Product cleaning must be undertaken using a method complying with the specifications of the ATEX zone, preferably by using mild soap and water or antistatic products.
- Regulators, Filter Regulators:  
Do not use Regulators or Filter Regulators within systems that can create vibration within the Regulator / Filter Regulator unit.
- Solenoid Operated Valves:  
Are suitable for use in an ATEX environment, (Group II Category 2) providing ATEX approved solenoids are fitted.
- Technical file available on request.



Global Air Preparation product range has been designed and tested in accordance with ISO flow testing, envelope integrity, and catalog data presented.

- Filters – ISO 5782-1 & ISO 5782-2: 1997
- Regulators- ISO 6953-1 & ISO 6953-2: 2000
- Lubricators- ISO 6301-1 & ISO 6301-2: 2009



For inventory, lead times, and kit lookup, visit [www.pdnplu.com](http://www.pdnplu.com)



# Parker Global Air Preparation System

**Global.  
Modular.**



*Performance you need,  
wherever you need it.*



Full featured particulate and coalescing filters, regulators, filter/regulators, and lubricators are available with a wide range of standard options to meet air preparation needs.

The comprehensive Global Air Preparation System is available in three body sizes with either BSPP, BSPT, or NPT to accommodate thread type requirements.

Individual units can easily be assembled into various combinations, utilizing patented modular lightweight body connectors.

[www.parker.com/globalfrl](http://www.parker.com/globalfrl)

**B**

Global Air Preparation

Introduction

Filters

Coalescers

Regulators

Filter/  
Regulators

Lubricators

Combinations

Accessories  
and Kits



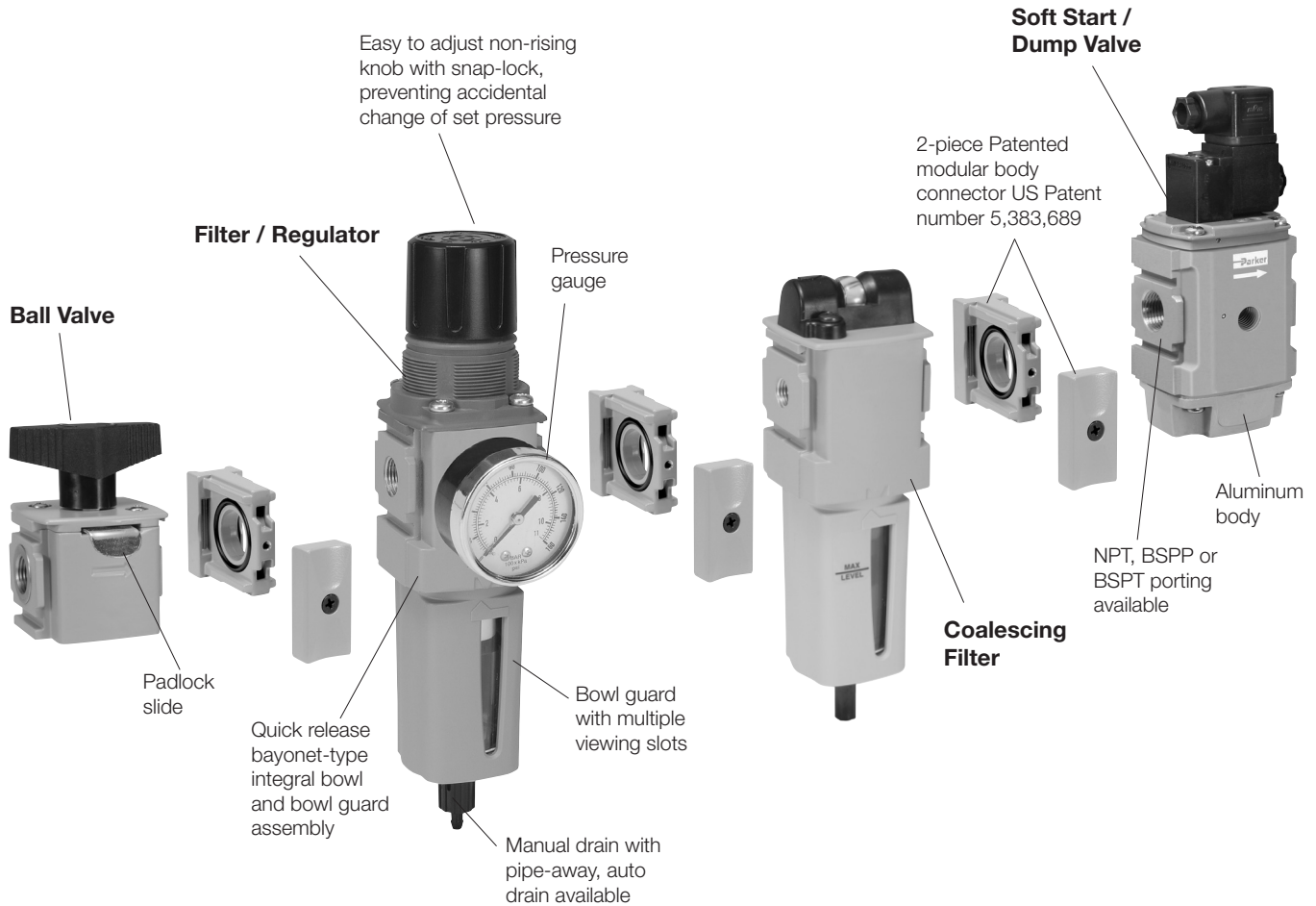
For inventory, lead time, and kit lookup, visit [www.pdnplu.com](http://www.pdnplu.com)

B3

**Parker Hannifin Corporation**  
Pneumatic Division  
Richland, Michigan  
[www.parker.com/pneumatics](http://www.parker.com/pneumatics)

# A completely modular air preparation system

<b>B</b>
Global Air Preparation
Introduction
Filters
Coalescers
Regulators
Filter / Regulators
Lubricators
Combinations
Accessories and Kits



For inventory, lead times, and kit lookup, visit [www.pdnplu.com](http://www.pdnplu.com)

B4

**Parker Hannifin Corporation**  
Pneumatic Division  
Richland, Michigan  
[www.parker.com/pneumatics](http://www.parker.com/pneumatics)

# Comprehensive Offering



**P31 Mini Series**  
1/4" ports  
40mm body width



**P32 Compact Series**  
1/4", 3/8" and 1/2"  
60mm body width



**P33 Standard Series**  
1/2" and 3/4"  
73mm body width



## Filters

- 5 $\mu$  particulate, 1.0 $\mu$  and 0.01 $\mu$  coalescing, and adsorber available as standard
- Transparent or metal bowl with manual or auto float drains standard



## Regulators

- Available as stand alone, common port and electronic proportional
- Both relieving and non-relieving versions available



## Filter / Regulators

- Compact design for space savings
- Available with all the same standard options as the filters and regulators



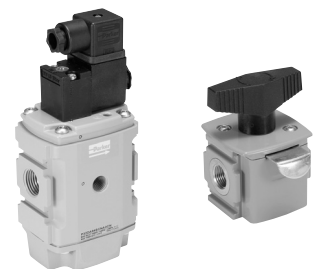
## Lubricators

- Proportional oil delivery over a wide range of air flows
- Fill under pressure



## Combinations

- Compact design for space savings
- Easily assembled
- Many configurations available



## Accessories

- Solenoid operated soft start, quick dump, and soft start/quick dump valves
- Manifold blocks
- Ball style lockout / shutoff valve
- Repair kits, gauges, etc.



For inventory, lead time, and kit lookup, visit [www.pdnplu.com](http://www.pdnplu.com)

# Air Preparation

## P31 Mini Series

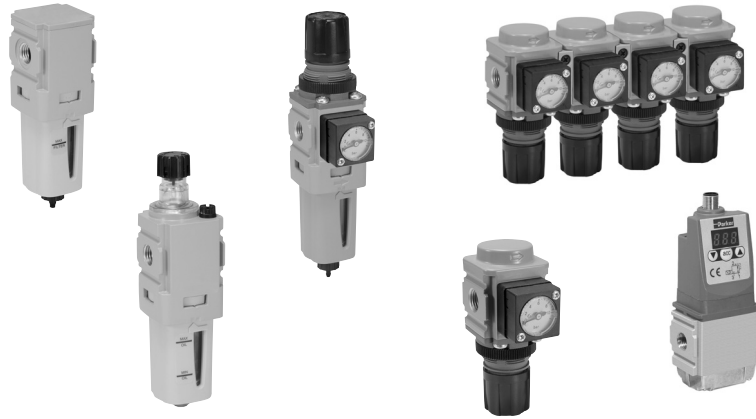
40mm body width

1/4" Ported

Flows up to:	scfm	(dm <sup>3</sup> /s, ANR)
Filter	25	(12)
Coalescer	7.5	(3.6)
Regulator	68	(32)
Filter/Regulator	22	(10)
Lubricator	52	(25)

Features:

- Space saving integral gauge
- Manifold style regulators available
- OSHA compliant shut-off valves
- Soft-Start & Quick Dump valves
- Electronic Proportional Regulator



## P32 Compact Series

60mm body width

1/4", 3/8", & 1/2" Ported

Flows up to:	scfm	(dm <sup>3</sup> /s, ANR)
Filter	82	(39)
Coalescer	36	(17)
Regulator	165	(78)
Filter/Regulator	136	(64)
Lubricator	90	(42)

Features:

- Manifold style regulators available
- OSHA Compliant shut-off valves
- Soft-Start & Quick Dump valves
- Electronic Proportional Regulator



## P33 Standard Series

73mm body width

1/2" & 3/4" Ported

Flows up to:	scfm	(dm <sup>3</sup> /s, ANR)
Filter	85	(40)
Coalescer	72	(34)
Regulator	233	(111)
Filter/Regulator	230	(108)
Lubricator	150	(71)

Features:

- OSHA Compliant shut-off valves
- Soft-Start & Quick Dump valves (Utilizes P32 size only)
- Electronic proportional regulator (Utilizes P32 size only)



B

Global Air Preparation

Introduction

Filters

Coalescers

Regulators

Filter / Regulators

Lubricators

Combinations

Accessories and Kits

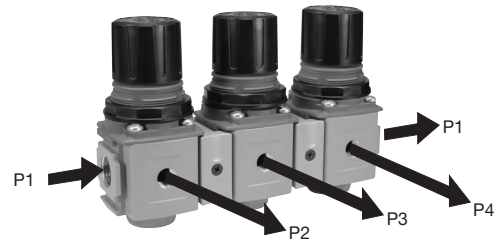


For inventory, lead times, and kit lookup, visit [www.pdnplu.com](http://www.pdnplu.com)

# Complete Pneumatic System

## Common Port Manifold Regulators

- Multiple output pressures (P2, P3, P4, etc.) with common inlet (P1)
- Available in two sizes P31 and P32
- Balanced valve design for accurate pressure regulation
- Outlet pressure ports in front and rear of unit.
- Multiple spring ranges available



## Electronic Proportional Regulator

- Electro-Pneumatic regulator
- Integrated systems control
- Accurate output pressure
- Micro parameter settings
- Selectable I/O parameters
- Quick, full flow exhaust
- LED display indicates output pressure
- No air consumption in steady state
- Multiple mounting options
- Protection to IP65



P31P Mini Series



P32P Compact Series

## Semi Precision Regulator and Filter/Regulator

- Available in P32 compact series
- Fine adjustment sensitivity
- Good repeatability and minimal pressure drop
- Good flow capacity
- Light gray knob for easy identification



## Optional Tamperproof Kits

- One facilitates the permanent tamperproofing of the Regulator and Filter/Regulator units
- Hinged black part clamps over control knob and is locked in place after sliding yellow cover over it
- Other allows for removable lockout/tagout tamperproofing
  - Four pad lock location holes tagout
  - Hinged locking clamp secures over existing knob via yellow cover which is slid over into place



## Additional Options P32 Only (Consult factory for availability)

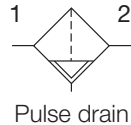
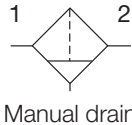
- T-Handle
- Preset
- Preset and Tamperproof
- Pressure Limiter



For inventory, lead time, and kit lookup, visit [www.pdnplu.com](http://www.pdnplu.com)

**P31 Particulate Filter – Mini**

- Integral 1/4" ports (NPT, BSPP & BSPT)
- High efficiency 5 micron element as standard
- Excellent water removal efficiency
- Robust but lightweight aluminum construction
- One hand operation for easy element cartridge removal
- Positive bayonet latch to ensure correct & safe fitting



**Operating information**

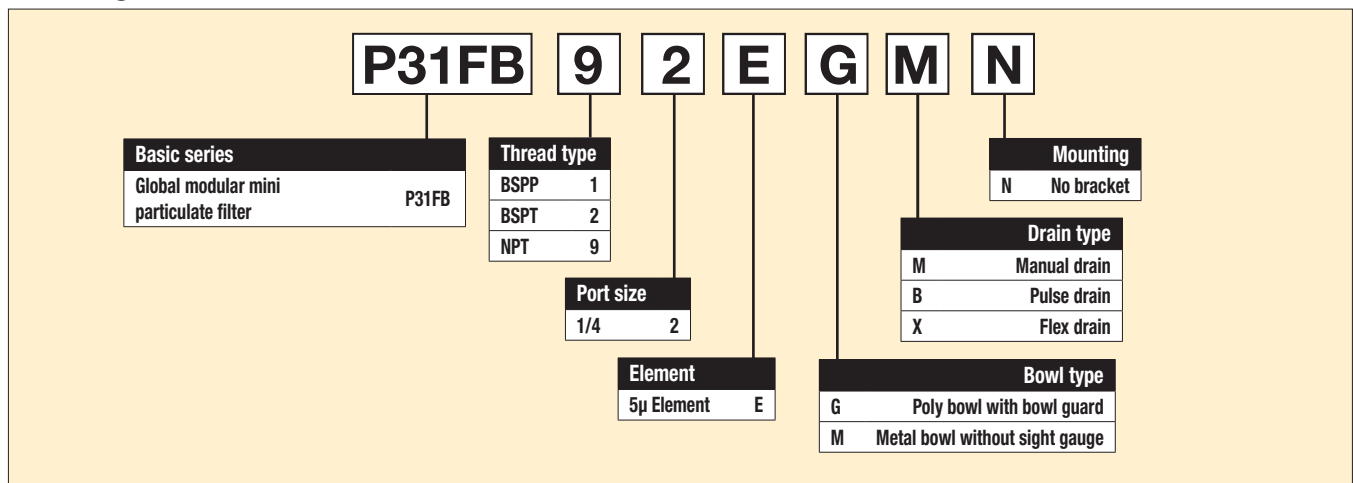
Supply pressure (max):	
Plastic bowl	150 psig (10 bar)
Metal bowl	250 psig (17 bar)
Operating temperature:	
Plastic bowl	14°F to 125°F (-10°C to 52°C)
Metal bowl	14°F to 150°F (-10°C to 65.5°C)
Standard filtration:	5 micron
Flow capacity*:	25 scfm (12 dm <sup>3</sup> /s, ANR)
Useful retention†:	0.4 US oz. (12 cm <sup>3</sup> )
Weight:	0.24 lb (0.11 kg)
* Inlet pressure 91.3 psig (6.3 bar). Pressure drop 4.9 psig (0.34 bar).	
† Useful retention refers to volume below the quiet zone baffle.	

Port size	Description †	Part number
1/4"	Poly bowl, manual drain	<b>P31FB92EGMN</b>
1/4"	Poly bowl, pulse drain	<b>P31FB92EGBN</b>
1/4"	Metal bowl, manual drain	<b>P31FB92EMMN</b>
1/4"	Metal bowl, pulse drain	<b>P31FB92EMBN</b>

† For polycarbonate bowl, see caution in Engineering Section A.

**Air quality:**  
 Within ISO 8573-1: 1991 Class 3 (Particulates)  
 Within ISO 8573-1: 2001 Class 6 (Particulates)

**Ordering information:**



Most popular.



For inventory, lead times, and kit lookup, visit [www.pdnplu.com](http://www.pdnplu.com)

## Mini Particulate Filters

### Material Specifications

Body	Aluminum
Body cap	ABS
Plastic bowl	Polycarbonate
Metal bowl	Aluminum
Bowl guard	Nylon
Element retainer	Acetal
Baffle	Acetal
Filter element	Sintered polyethylene
Seals	Nitrile

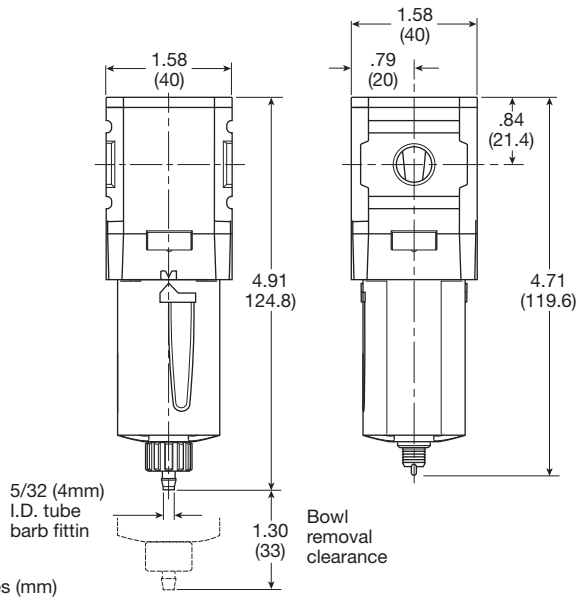
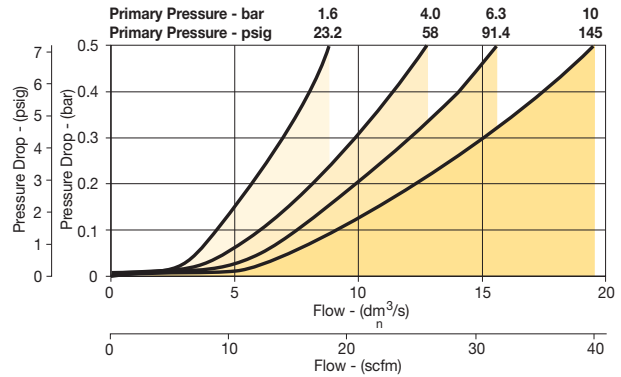
### Repair and Service Kits

Plastic bowl / bowl guard, manual drain	<b>P31KB00BGM</b>
Metal bowl / w/o sight gauge, manual drain	<b>P31KB00BMM</b>
Plastic bowl / bowl guard, pulse drain	<b>P31KB00BGB</b>
Metal bowl / w/o sight gauge, pulse drain	<b>P31KB00BMB</b>
5µ particle filter element	<b>P31KA00ESE</b>
C-bracket (fits to body)	<b>P31KA00MW</b>
T-bracket with body connector	<b>P31KA00MT</b>
Body connector	<b>P31KA00CB</b>

## Air Preparation Products Global Air Preparation

### Flow Charts

#### P31FB 1/4" Filter



Manual Drain

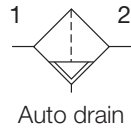
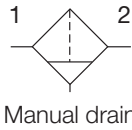
Pulse Drain



For inventory, lead time, and kit lookup, visit [www.pdnplu.com](http://www.pdnplu.com)

**P32 Particulate Filter – Compact**

- Integral 1/4", 3/8" or 1/2" ports (NPT, BSPP & BSPT)
- High efficiency 5 micron element as standard
- Excellent water removal efficiency
- Robust but lightweight aluminum construction
- Positive bayonet latch to ensure correct & safe fitting



Port size	Description †	Part number
1/4"	Poly bowl, manual drain	<b>P32FB92EGMN</b>
1/4"	Poly bowl, auto drain	<b>P32FB92EGAN</b>
1/4"	Metal bowl, manual drain	<b>P32FB92ESMN</b>
1/4"	Metal bowl, auto drain	<b>P32FB92ESAN</b>
3/8"	Poly bowl, manual drain	<b>P32FB93EGMN</b>
3/8"	Poly bowl, auto drain	<b>P32FB93EGAN</b>
3/8"	Metal bowl, manual drain	<b>P32FB93ESMN</b>
3/8"	Metal bowl, auto drain	<b>P32FB93ESAN</b>
1/2"	Poly bowl, manual drain	<b>P32FB94EGMN</b>
1/2"	Poly bowl, auto drain	<b>P32FB94EGAN</b>
1/2"	Metal bowl, manual drain	<b>P32FB94ESMN</b>
1/2"	Metal bowl, auto drain	<b>P32FB94ESAN</b>

† For polycarbonate bowl, see caution in Engineering Section A.

**Operating information**

Supply pressure (max):	
Plastic bowl	150 psig (10 bar)
Metal bowl	250 psig (17 bar)
Operating temperature:	
Plastic bowl	-13°F to 125°F (-25°C to 52°C)
Metal bowl	-13°F to 150°F (-25°C to 65.5°C)
Standard filtration:	5 micron
Flow capacity*:	
1/4	50 scfm (24 dm <sup>3</sup> /s, ANR)
3/8	78 scfm (37 dm <sup>3</sup> /s, ANR)
1/2	82 scfm (39 dm <sup>3</sup> /s, ANR)
Useful retention†:	1.7 US oz. (51 cm <sup>3</sup> )
Weight:	0.62 lb (0.28 kg)

\* Inlet pressure 91.3 psig (6.3 bar). Pressure drop 4.9 psig (0.34 bar).  
† Useful retention refers to volume below the quiet zone baffle.

**Air quality:**  
Within ISO 8573-1: 1991 Class 3 (Particulates)  
Within ISO 8573-1: 2001 Class 6 (Particulates)

**Ordering Information:**

**P32FB 9 2 E G M N**

<b>Basic series</b> Global modular compact particulate filter P32FB	<b>Thread type</b> BSPP 1 BSPT 2 NPT 9	<b>Port size</b> 1/4 2 3/8 3 1/2 4	<b>Element</b> 5µ Element E	<b>Mounting</b> N No bracket
				<b>Drain type</b> M Manual drain A Auto drain X Flex drain
				<b>Bowl type</b> G Poly bowl with bowl guard M Metal bowl without sight gauge S Metal bowl with sight gauge

Most popular.



For inventory, lead times, and kit lookup, visit [www.pdnplu.com](http://www.pdnplu.com)

B10

**Parker Hannifin Corporation**  
Pneumatic Division  
Richland, Michigan  
[www.parker.com/pneumatics](http://www.parker.com/pneumatics)



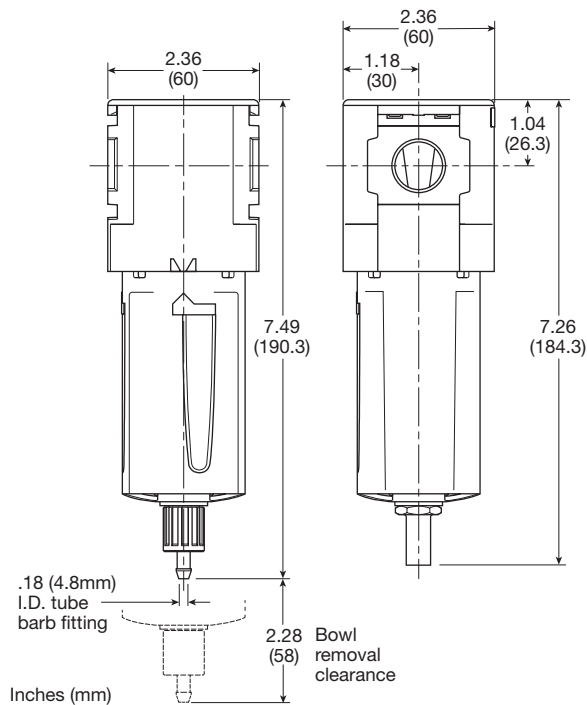
**Compact Particulate Filters**

**Material Specifications**

Body	Aluminum
Body cap	ABS
Plastic bowl	Polycarbonate
Metal bowl	Aluminum
Bowl guard	Nylon
Deflector	Polypropylene
Element retainer / Baffle	Acetal
Filter element	Sintered polyethylene
Seals	Nitrile
Sight gauge	Nylon

**Repair and Service Kits**

Plastic bowl / bowl guard, manual drain	<b>P32KB00BGM</b>
Metal bowl / sight gauge, manual drain	<b>P32KB00BSM</b>
Auto drain	<b>P32KA00DA</b>
5µ particle filter element	<b>P32KA00ESE</b>
L-bracket (fits to body)	<b>P32KA00ML</b>
T-bracket (fits to body connector)	<b>P32KA00MB</b>
T-bracket with body connector	<b>P32KA00MT</b>
Body connector	<b>P32KA00CB</b>

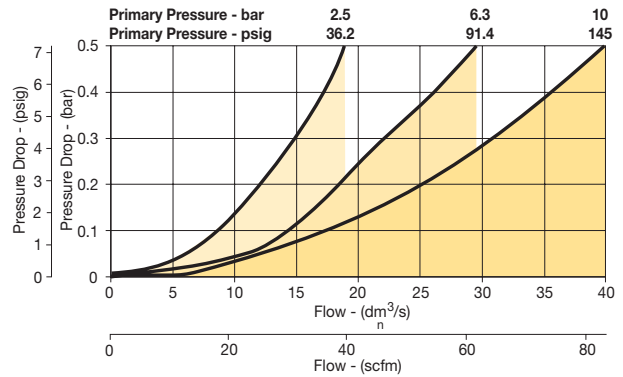


Manual Drain

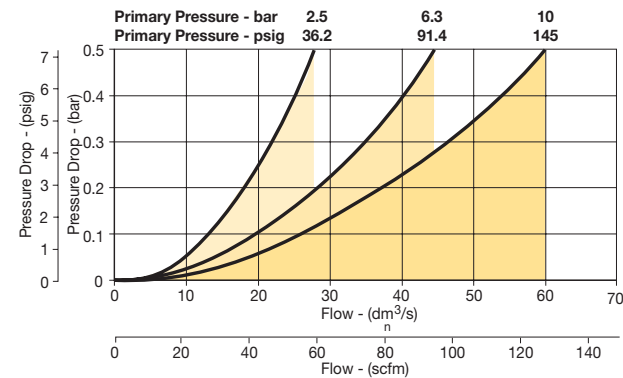
Automatic Drain

**Flow Charts**

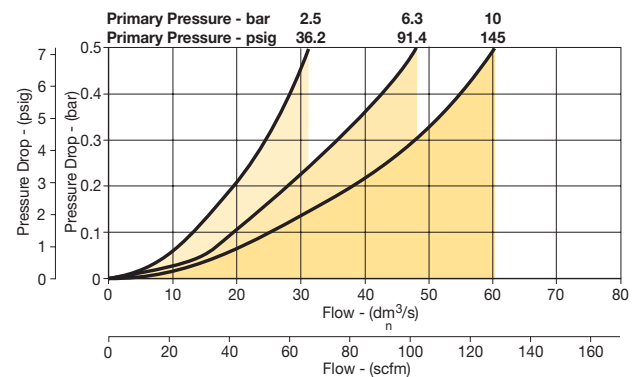
**P32FB 1/4" Filter**



**P32FB 3/8" Filter**



**P32FB 1/2" Filter**



**B**

Global Air Preparation

Introduction

Filters

Coalescers

Regulators

Filter/Regulators

Lubricators

Combinations

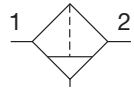
Accessories and Kits



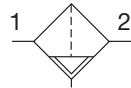
For inventory, lead time, and kit lookup, visit [www.pdnplu.com](http://www.pdnplu.com)

## P33 Particulate Filter – Standard

- Integral 1/2" or 3/4" ports (NPT, BSPP & BSPT)
- High efficiency 5 micron element as standard
- Excellent water removal efficiency
- Robust but lightweight aluminum construction
- Positive bayonet latch to ensure correct & safe fitting



Manual drain



Auto drain

Port size	Description †	Part number
1/2"	Poly bowl, manual drain	<b>P33FA94EGMN</b>
1/2"	Poly bowl, auto drain	<b>P33FA94EGAN</b>
1/2"	Metal bowl, manual drain	<b>P33FA94ESMN</b>
1/2"	Metal bowl, auto drain	<b>P33FA94ESAN</b>
3/4"	Poly bowl, manual drain	<b>P33FA96EGMN</b>
3/4"	Poly bowl, auto drain	<b>P33FA96EGAN</b>
3/4"	Metal bowl, manual drain	<b>P33FA96ESMN</b>
3/4"	Metal bowl, auto drain	<b>P33FA96ESAN</b>

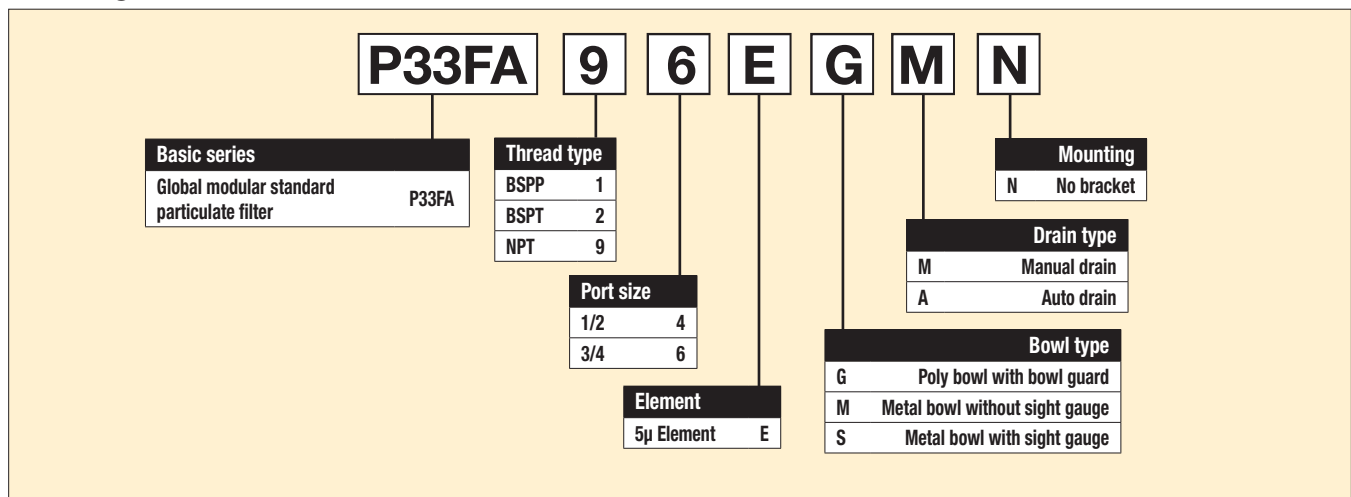
† For polycarbonate bowl, see caution in Engineering Section A.

### Operating information

Supply pressure (max):	
Plastic bowl	150 psig (10 bar)
Metal bowl	250 psig (17 bar)
Operating temperature:	
Plastic bowl	-13°F to 125°F (-25°C to 52°C)
Metal bowl	-13°F to 150°F (-25°C to 65.5°C)
Standard filtration:	5 micron
Flow capacity*:	1/2 85 scfm (40 dm <sup>3</sup> /s, ANR)
	3/4 102 scfm (48 dm <sup>3</sup> /s, ANR)
Useful retention†:	2.8 US oz. (85 cm <sup>3</sup> )
Weight:	1.01 lb (0.46 kg)
* Inlet pressure 91.3 psig (6.3 bar). Pressure drop 4.9 psig (0.34 bar).	
† Useful retention refers to volume below the quiet zone baffle.	

**Air quality:**  
 Within ISO 8573-1: 1991 Class 3 (Particulates)  
 Within ISO 8573-1: 2001 Class 6 (Particulates)

### Ordering Information:



Most popular.



For inventory, lead times, and kit lookup, visit [www.pdnplu.com](http://www.pdnplu.com)

B12

**Parker Hannifin Corporation**  
 Pneumatic Division  
 Richland, Michigan  
[www.parker.com/pneumatics](http://www.parker.com/pneumatics)

**Standard Particulate Filters**

**Material Specifications**

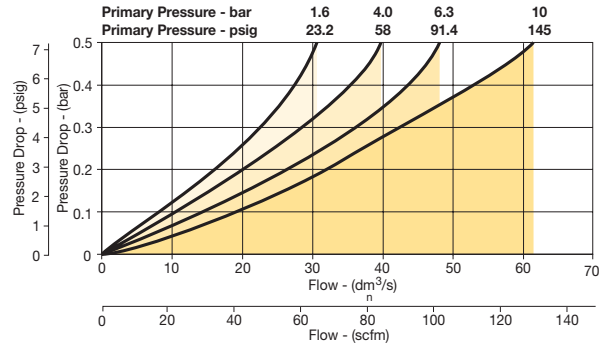
Body	Aluminum
Body cap	ABS
Plastic bowl	Polycarbonate
Metal bowl	Aluminum
Bowl guard	Nylon
Deflector	Polypropylene
Element retainer / Baffle	Acetal
Filter element	Sintered polyethylene
Seals	Nitrile
Sight gauge	Nylon

**Repair and Service Kits**

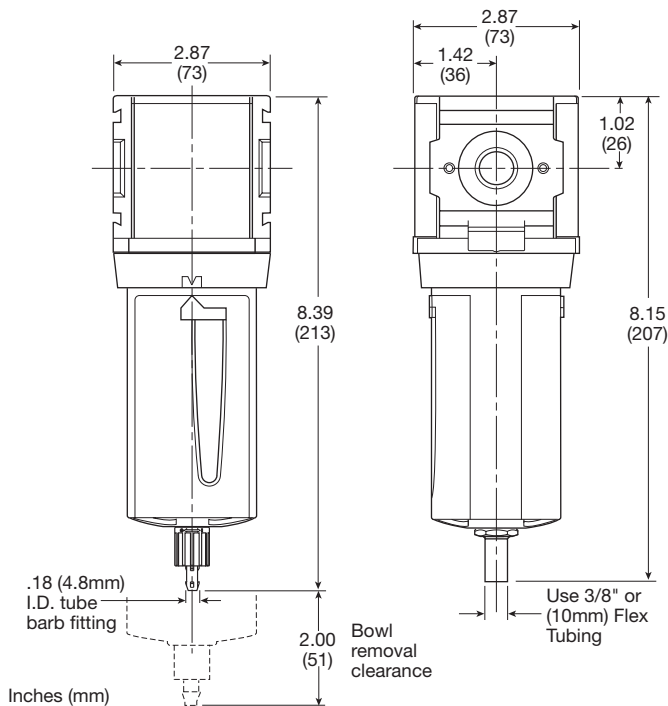
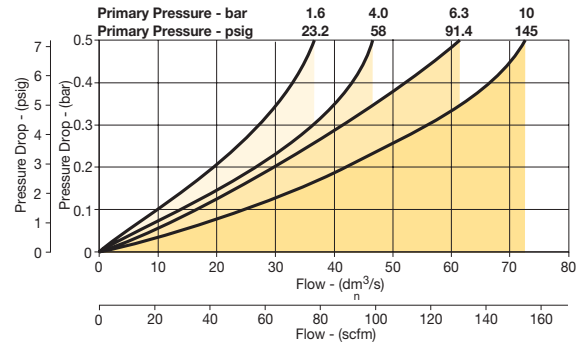
Plastic bowl / bowl guard, manual drain	<b>P33KA00BGM</b>
Metal bowl / sight gauge, manual drain	<b>P33KA00BSM</b>
Auto drain	<b>P32KA00DA</b>
5µ particle filter element	<b>P33KA00ESE</b>
L-bracket (fits to body)	<b>P33KA00ML</b>
T-bracket (fits to body connector)	<b>P32KA00MB</b>
T-bracket with body connector	<b>P33KA00MT</b>
Body connector	<b>P32KA00CB</b>

**Flow Charts**

**P33FA 1/2" Filter**



**P33FA 3/4" Filter**



**Manual Drain**

**Automatic Drain**

**B**

Global Air Preparation

Introduction

Filters

Coalescers

Regulators

Filter/Regulators

Lubricators

Combinations

Accessories and Kits



For inventory, lead time, and kit lookup, visit [www.pdnplu.com](http://www.pdnplu.com)

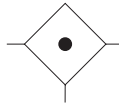
## P31 Coalescing and Adsorber Filters – Mini

- Integral 1/4" ports (NPT, BSPP & BSPT)
- Removes liquid aerosols and sub micron particles
- Oil free air for critical applications, such as air gauging, pneumatic instrumentation and control
- Differential Pressure Indicator (DPI) standard on coalescing filters
- Positive bayonet latch to ensure correct and safe fitting
- Adsorbing activated carbon element removes oil vapors and most hydrocarbons



**Note:** To optimize the life of coalescing element, it is advisable to install a P31F pre-filter with a 5 micron element upstream of the coalescing filter.

To optimize the life of an Adsorber it is advisable to install a P31 Coalescing Filter upstream of the Adsorber. Adsorber element should be replaced approximately every 1000 hours of service.



Port size	Description †	Element	Part number
1/4"	Poly bowl, manual drain	0.01 micron	<b>P31FB92DGMN</b>
1/4"	Poly bowl, pulse drain	0.01 micron	<b>P31FB92DGBN</b>
1/4"	Metal bowl, manual drain	0.01 micron	<b>P31FB92DMMN</b>
1/4"	Metal bowl, pulse drain	0.01 micron	<b>P31FB92DMBN</b>

† For polycarbonate bowl, see caution in Engineering Section A.

### Operating information

Supply pressure (max):	
Poly bowl	150 psig (10 bar)
Metal bowl w/ DPI	150 psig (10 bar)
Metal bowl w/o DPI	250 psig (17 bar)
Operating temperature:	
Plastic bowl	14°F to 125°F (-10°C to 52°C)
Metal bowl	14°F to 150°F (-10°C to 65.5°C)
Standard filtration:	1.0 and 0.01 micron
Adsorber	Max. oil carryover (ppm w/w) 0.003 @ 70°F (21°C)
Flow capacity*:	
1.0 micron coalescing	12 scfm (5.5 dm <sup>3</sup> /s, ANR)
0.01 micron coalescing	7.5 scfm (3.6 dm <sup>3</sup> /s, ANR)
Activated carbon adsorber	12.7 scfm (6 dm <sup>3</sup> /s, ANR)
Useful retention†:	0.4 US oz. (12 cm <sup>3</sup> )
Weight:	0.24 lb (0.11 kg)

\* Inlet pressure 91.3 psig (6.3 bar). Pressure drop 3 psig (0.2 bar), saturated element.

† Useful retention refers to volume below the quiet zone baffle.

### Ordering Information:

Basic series	Thread type	Port size	Element	Mounting	Drain type	Bowl type
Global modular mini coalescing filter <b>P31FB</b>	BSPP 1 BSPT 2 NPT 9	1/4 2	0.01µ Element C 0.01µ Element with DPI D 1µ Element 9 1µ Element with DPI Q Adsorber A	N No bracket	B Pulse drain M Manual drain X Flex drain	G Poly bowl with bowl guard M Metal bowl without sight gauge

Most popular.



For inventory, lead times, and kit lookup, visit [www.pdnplu.com](http://www.pdnplu.com)

**Material Specifications**

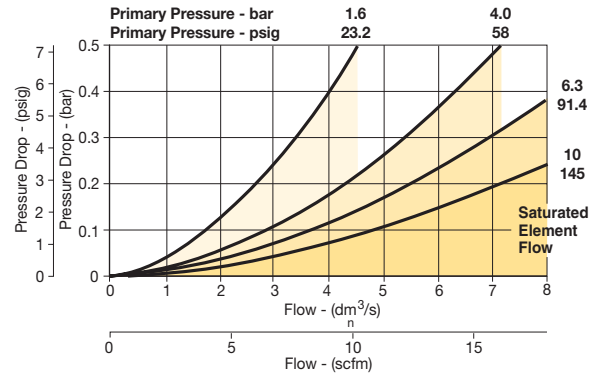
Body	Aluminum
Body cap	ABS
Plastic bowl	Polycarbonate
Metal bowl	Aluminum
Filter element	Borosilicate cloth
Adsorber element	Activated carbon
Seals	Nitrile

**Repair and Service Kits**

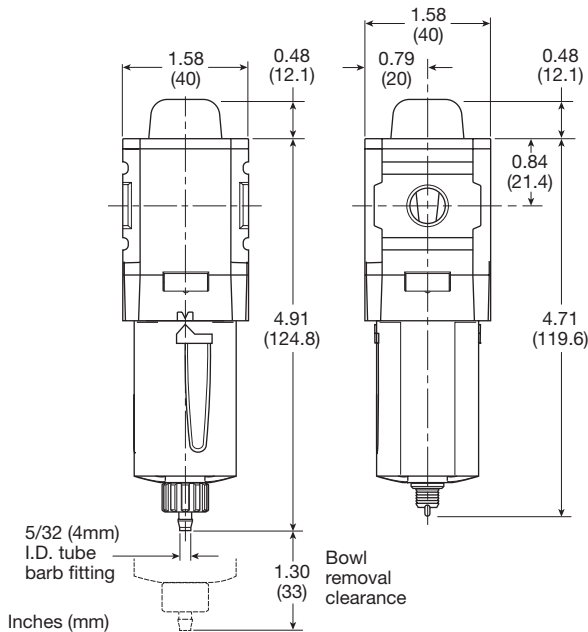
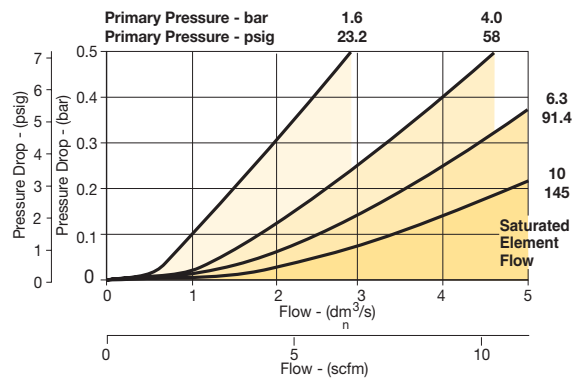
Plastic bowl / bowl guard, manual drain	<b>P31KB00BGM</b>
Metal bowl / w/o sight gauge ,manual drain	<b>P31KB00BMM</b>
Plastic bowl / bowl guard, pulse drain	<b>P31KB00BGB</b>
Metal bowl / w/o sight gauge, pulse drain	<b>P31KB00BMB</b>
1µ coalescing filter element	<b>P31KA00ES9</b>
0.01µ coalescing filter element	<b>P31KA00ESC</b>
Activated carbon adsorber filter element	<b>P31KA00ESA</b>
C-bracket (fits to body)	<b>P31KA00MW</b>
T-bracket with body connector	<b>P31KA00MT</b>
Body connector	<b>P31KA00CB</b>
Differential pressure indicator (replacement)	<b>P31KB00RQ</b>

**Flow Charts**

**P31FB - 1.0 micron flow**



**P31FB - 0.01 micron flow**



**Manual Drain**

**Pulse Drain**

**B**

Global Air Preparation

Introduction

Filters

Coalescers

Regulators

Filter/Regulators

Lubricators

Combinations

Accessories and Kits



For inventory, lead time, and kit lookup, visit [www.pdnplu.com](http://www.pdnplu.com)

## P32 Coalescing and Adsorber Filters – Compact

- Integral 1/4", 3/8" or 1/2" ports (NPT, BSPP & BSPT)
- Removes liquid aerosols and sub micron particles
- Oil free air for critical applications, such as air gauging, pneumatic instrumentation and control
- Differential Pressure Indicator (DPI) standard on Coalescing Filters
- Positive bayonet latch to ensure correct & safe fitting
- Adsorbing activated carbon element removes oil vapors and most hydrocarbons

**Note:** To optimize the life of coalescing element, it is advisable to install a P32F pre-filter with a 5 micron element upstream of the coalescing filter. To optimize the life of an Adsorber it is advisable to install a P32 Coalescing Filter upstream of the Adsorber. Adsorber element should be replaced approximately every 1000 hours of service.



Port size	Description †	Element	Part number
1/4"	Poly bowl, manual drain	0.01 micron	<b>P32FB92DGMM</b>
1/4"	Poly bowl, auto drain	0.01 micron	<b>P32FB92DGAN</b>
1/4"	Metal bowl, manual drain	0.01 micron	<b>P32FB92DSMN</b>
1/4"	Metal bowl, auto drain	0.01 micron	<b>P32FB92DSAN</b>
3/8"	Poly bowl, manual drain	0.01 micron	<b>P32FB93DGMM</b>
3/8"	Poly bowl, auto drain	0.01 micron	<b>P32FB93DGAN</b>
3/8"	Metal bowl, manual drain	0.01 micron	<b>P32FB93DSMN</b>
3/8"	Metal bowl, auto drain	0.01 micron	<b>P32FB93DSAN</b>
1/2"	Poly bowl, manual drain	0.01 micron	<b>P32FB94DGMM</b>
1/2"	Poly bowl, auto drain	0.01 micron	<b>P32FB94DGAN</b>
1/2"	Metal bowl, manual drain	0.01 micron	<b>P32FB94DSMN</b>
1/2"	Metal bowl, auto drain	0.01 micron	<b>P32FB94DSAN</b>

† For polycarbonate bowl, see caution in Engineering Section A.

### Operating information

Supply pressure (max):	
Poly bowl	150 psig (10 bar)
Metal bowl w/ DPI	150 psig (10 bar)
Metal bowl w/o DPI	250 psig (17 bar)
Operating temperature:	
Plastic bowl	-13°F to 125°F (-25°C to 52°C)
Metal bowl	-13°F to 150°F (-25°C to 65.5°C)
Standard filtration:	1.0 and 0.01 micron
Adsorber	Max. oil carryover (ppm w/w) 0.003 @ 70°F (21°C)
Flow capacity*:	
1.0 micron coalescing	53 scfm (25 dm³/s, ANR)
0.01 micron coalescing	36 scfm (17 dm³/s, ANR)
Activated carbon adsorber	85 scfm (40 dm³/s, ANR)
Useful retention†:	1.7 US oz. (51 cm³)
Weight:	0.71 lb (0.32 kg)

\* Inlet pressure 91.3 psig (6.3 bar). Pressure drop 3 psig (0.2 bar), saturated element.

† Useful retention refers to volume below the quiet zone baffle.

### Ordering Information:

<b>P32FB</b>		<b>9</b>	<b>2</b>	<b>D</b>	<b>G</b>	<b>M</b>	<b>N</b>
<b>Basic series</b> Global modular compact coalescing filter P32FB		<b>Thread type</b> BSPP 1 BSPT 2 NPT 9	<b>Port size</b> 1/4 2 3/8 3 1/2 4	<b>Element</b> 0.01µ Element C 0.01µ Element with DPI D 1µ Element 9 1µ Element with DPI Q Adsorber A	<b>Mounting</b> N No bracket		
				<b>Drain type</b> M Manual drain A Auto drain X Flex drain			
				<b>Bowl type</b> G Poly bowl with bowl guard M Metal bowl without sight gauge S Metal bowl with sight gauge			

Most popular.



For inventory, lead times, and kit lookup, visit [www.pdnplu.com](http://www.pdnplu.com)

**Material Specifications**

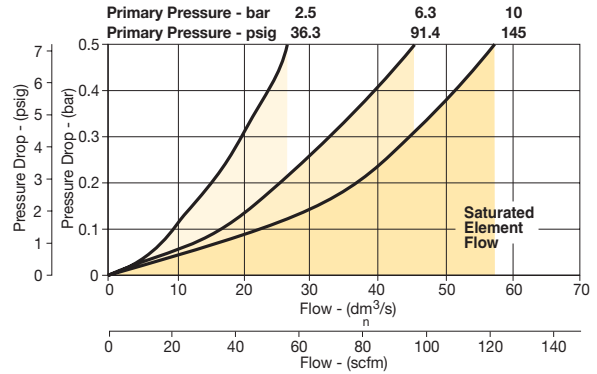
Body	Aluminum
Body cap	ABS
Plastic bowl	Polycarbonate
Metal bowl	Aluminum
Filter element	Borosilicate cloth
Adsorber	Activated carbon
Seals	Nitrile
Sight gauge	Nylon

**Repair and Service Kits**

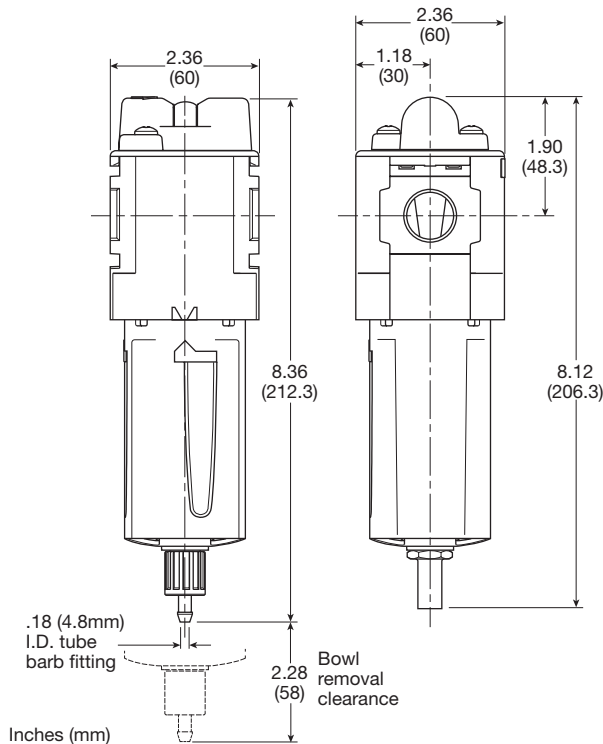
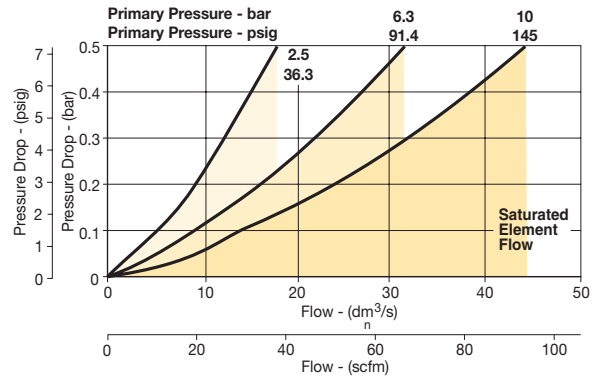
Plastic bowl / bowl guard, manual drain	<b>P32KB00BGM</b>
Metal bowl / sight gauge, manual drain	<b>P32KB00BSM</b>
Auto drain	<b>P32KA00DA</b>
1µ coalescing filter element	<b>P32KA00ES9</b>
0.01µ coalescing filter element	<b>P32KA00ESC</b>
Activated carbon adsorber filter element	<b>P32KA00ESA</b>
L-bracket (fits to body)	<b>P32KA00ML</b>
T-bracket (fits to body connector)	<b>P32KA00MB</b>
T-bracket with body connector	<b>P32KA00MT</b>
Body connector	<b>P32KA00CB</b>
Differential pressure indicator (replacement)	<b>P32KA00RQ</b>

**Flow Charts**

**P32FB - 1.0 micron flow**



**P32FB - 0.01 micron flow**



**Manual Drain**

**Automatic Drain**

B
Global Air Preparation
Introduction
Filters
Coalescers
Regulators
Filter/Regulators
Lubricators
Combinations
Accessories and Kits



For inventory, lead time, and kit lookup, visit [www.pdnplu.com](http://www.pdnplu.com)

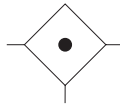
# P33 Coalescing and Adsorber Filters – Standard

- Integral 1/2" or 3/4" ports (NPT, BSPP & BSPT)
- Removes liquid aerosols and sub micron particles
- Oil free air for critical applications, such as air gauging, pneumatic instrumentation and control
- Differential Pressure Indicator (DPI) standard on Coalescing Filters
- Positive bayonet latch to ensure correct & safe fitting
- Adsorbing activated carbon element removes oil vapors and most hydrocarbons



**Note:** To optimize the life of coalescing element, it is advisable to install a P33F pre-filter with a 5 micron element upstream of the coalescing filter.

To optimize the life of an Adsorber it is advisable to install a P33 Coalescing Filter upstream of the Adsorber. Adsorber element should be replaced approximately every 1000 hours of service.



Port size	Description †	Element	Part number
1/2"	Poly bowl, manual drain	0.01 micron	<b>P33FA94DGMN</b>
1/2"	Poly bowl, auto drain	0.01 micron	<b>P33FA94DGAN</b>
1/2"	Metal bowl, manual drain	0.01 micron	<b>P33FA94DSMN</b>
1/2"	Metal bowl, auto drain	0.01 micron	<b>P33FA94DSAN</b>
3/4"	Poly bowl, manual drain	0.01 micron	<b>P33FA96DGMN</b>
3/4"	Poly bowl, auto drain	0.01 micron	<b>P33FA96DGAN</b>
3/4"	Metal bowl, manual drain	0.01 micron	<b>P33FA96DSMN</b>
3/4"	Metal bowl, auto drain	0.01 micron	<b>P33FA96DSAN</b>

† For polycarbonate bowl, see caution in Engineering Section A.

### Operating information

Supply pressure (max):	
Poly bowl	150 psig (10 bar)
Metal bowl w/ DPI	150 psig (10 bar)
Metal bowl w/o DPI	250 psig (17 bar)
Operating temperature:	
Plastic bowl	-13°F to 125°F (-25°C to 52°C)
Metal bowl	-13°F to 150°F (-25°C to 65.6°C)
Standard filtration:	1.0 and 0.01 micron
Adsorber	Max. oil carryover (ppm w/w) 0.003 @ 70°F (21°C)
Flow capacity*:	
1.0 micron coalescing	68 scfm (32 dm³/s, ANR)
0.01 micron coalescing	42 scfm (20 dm³/s, ANR)
Activated carbon adsorber	72 scfm (34 dm³/s, ANR)
Useful retention†:	2.8 US oz. (85 cm³)
Weight:	1.10 lb (0.50 kg)

\* Inlet pressure 91.3 psig (6.3 bar). Pressure drop 3 psig (0.2 bar), saturated element.

† Useful retention refers to volume below the quiet zone baffle.

### Ordering information:

P33FA 9 6 D G M N

**Basic series**

Global modular standard coalescing filter

P33FA

**Thread type**

BSPP 1

BSPT 2

NPT 9

**Port size**

1/2 4

3/4 6

**Element**

0.01µ Element C

0.01µ Element with DPI D

1µ Element 9

1µ Element with DPI Q

Adsorber A

**Drain type**

M Manual drain

A Auto drain

**Bowl type**

G Poly bowl with bowl guard

M Metal bowl without sight gauge

S Metal bowl with sight gauge

**Mounting**

N No bracket

Most popular.



For inventory, lead times, and kit lookup, visit [www.pdnplu.com](http://www.pdnplu.com)



**Material Specifications**

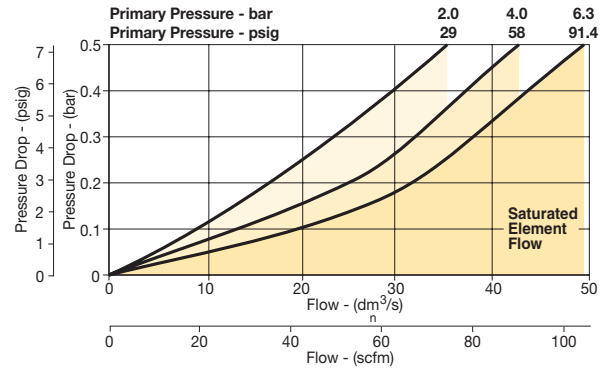
Body	Aluminum
Body cap	ABS
Plastic bowl	Polycarbonate
Metal bowl	Aluminum
Filter element	Borosilicate cloth
Adsorber	Activated carbon
Seals	Nitrile
Sight gauge	Nylon

**Repair and Service Kits**

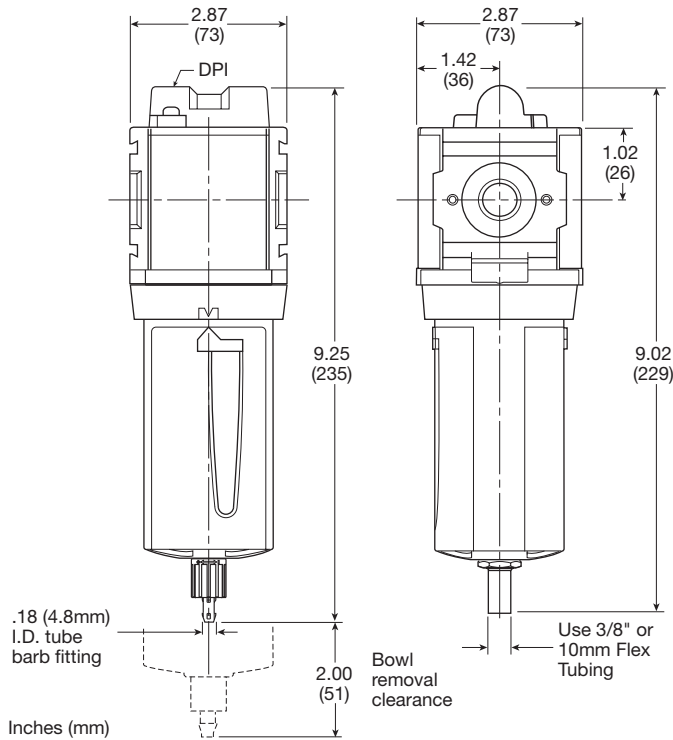
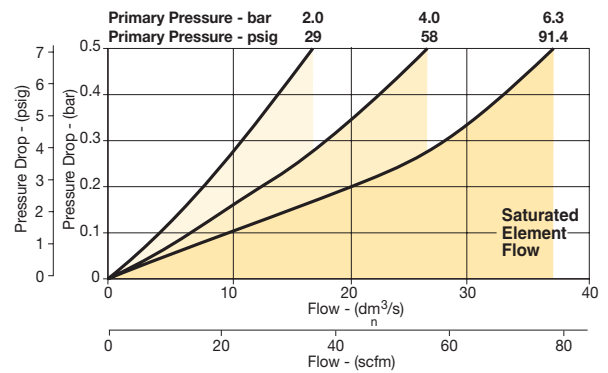
Plastic bowl / bowl guard, manual drain	<b>P33KA00BGM</b>
Metal bowl / sight gauge, manual drain	<b>P33KA00BSM</b>
Auto drain	<b>P32KA00DA</b>
1µ coalescing filter element	<b>P33KA00ES9</b>
0.01µ coalescing filter element	<b>P33KA00ESC</b>
Activated carbon adsorber filter element	<b>P33KA00ESA</b>
L-bracket (fits to body)	<b>P33KA00ML</b>
T-bracket (fits to body connector)	<b>P32KA00MB</b>
T-bracket with body connector	<b>P32KA00MT</b>
Body connector	<b>P32KA00CB</b>
Differential pressure indicator (replacement)	<b>P32KA00RQ</b>

**Flow Charts**

**P33FA - 1.0 micron flow**



**P33FA - 0.01 micron flow**



**Manual Drain**

**Automatic Drain**

**B**

Global Air Preparation

Introduction

Filters

Coalescers

Regulators

Filter/Regulators

Lubricators

Combinations

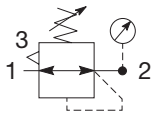
Accessories and Kits



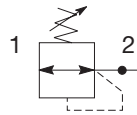
For inventory, lead time, and kit lookup, visit [www.pdnplu.com](http://www.pdnplu.com)

## P31 Regulators – Mini

- Integral 1/4" ports (NPT, BSPP & BSPT)
- Robust but lightweight aluminum construction
- Secondary pressure ranges
- Secondary aspiration plus balanced poppet provides quick response and accurate pressure regulation.
- Relieving & non-relieving types
- Non-rising knob



Self relieving regulator with gauge



Non-relieving regulator

Port size	Description (relieving)	Gauge	Part number
1/4"	125 psig (8 bar)	None	<b>P31RB92BNNP</b>
1/4"	125 psig (8 bar)	Square	<b>P31RB92BN5P</b>

### Operating information

Flow capacity*:	1/4	68 scfm (32 dm <sup>3</sup> /s, ANR)
Operating temperature†:		-4°F to 150°F (-20°C to 65.5°C)
Supply pressure (max):		300 psig (20 bar)
Adjusting range pressure:		30 psig (0-2 bar) 60 psig (0-4 bar) 125 psig (0-8 bar) 232 psig (0-16 bar)
Gauge port (2 each)**:		1/8 BSPP, BSPT, NPT
Weight:		0.37 lb (0.17 kg)

\* Inlet pressure 145 psig (10 bar). Secondary pressure 91.3 psig (6.3 bar) and 14.5 psig (1 bar) pressure drop.

\*\* Non-gauge option only.

† Units with square gauges: 5°F to 150°F (-15°C to 65.5°C)

### Ordering Information:

Basic series	Thread type	Port size	Relief	Adjustment	Mounting	Adjustment range																																																
Global modular mini regulator <b>P31RB</b>	BSPP 1 BSPT 2 NPT 9	1/4 2	Relieving B Non-relieving N Reverse flow-relieving R	N Non-rising knob	P Plastic panel mount nut	<table border="1"> <thead> <tr> <th colspan="2">With square gauge</th> <th colspan="2">With round gauge</th> </tr> <tr> <th>psig</th> <th>bar</th> <th>Z</th> <th>M</th> </tr> </thead> <tbody> <tr> <td>1 = 30*</td> <td>V = 2*</td> <td>30 psig; 2 bar; 0.2 MPa</td> <td>60 psig; 4 bar; 0.4 MPa</td> </tr> <tr> <td>3 = 60</td> <td>S = 4</td> <td>125 psig; 8 bar; 0.8 MPa</td> <td>125 psig; 8 bar; 0.8 MPa</td> </tr> <tr> <td>5 = 125</td> <td>T = 8</td> <td>232 psig; 16 bar; 1.6 MPa</td> <td>232 psig; 16 bar; 1.6 MPa</td> </tr> <tr> <th colspan="2">Without gauge</th> <th colspan="2"></th> </tr> <tr> <td></td> <td></td> <td>Y</td> <td>L</td> </tr> <tr> <td></td> <td></td> <td>30 psig; 2 bar; 0.2 MPa</td> <td>60 psig; 4 bar; 0.4 MPa</td> </tr> <tr> <td></td> <td></td> <td>N</td> <td>N</td> </tr> <tr> <td></td> <td></td> <td>125 psig; 8 bar; 0.8 MPa</td> <td>125 psig; 8 bar; 0.8 MPa</td> </tr> <tr> <td></td> <td></td> <td>H</td> <td>H</td> </tr> <tr> <td></td> <td></td> <td>232 psig; 16 bar; 1.6 MPa</td> <td>232 psig; 16 bar; 1.6 MPa</td> </tr> </tbody> </table>	With square gauge		With round gauge		psig	bar	Z	M	1 = 30*	V = 2*	30 psig; 2 bar; 0.2 MPa	60 psig; 4 bar; 0.4 MPa	3 = 60	S = 4	125 psig; 8 bar; 0.8 MPa	125 psig; 8 bar; 0.8 MPa	5 = 125	T = 8	232 psig; 16 bar; 1.6 MPa	232 psig; 16 bar; 1.6 MPa	Without gauge						Y	L			30 psig; 2 bar; 0.2 MPa	60 psig; 4 bar; 0.4 MPa			N	N			125 psig; 8 bar; 0.8 MPa	125 psig; 8 bar; 0.8 MPa			H	H			232 psig; 16 bar; 1.6 MPa	232 psig; 16 bar; 1.6 MPa
With square gauge		With round gauge																																																				
psig	bar	Z	M																																																			
1 = 30*	V = 2*	30 psig; 2 bar; 0.2 MPa	60 psig; 4 bar; 0.4 MPa																																																			
3 = 60	S = 4	125 psig; 8 bar; 0.8 MPa	125 psig; 8 bar; 0.8 MPa																																																			
5 = 125	T = 8	232 psig; 16 bar; 1.6 MPa	232 psig; 16 bar; 1.6 MPa																																																			
Without gauge																																																						
		Y	L																																																			
		30 psig; 2 bar; 0.2 MPa	60 psig; 4 bar; 0.4 MPa																																																			
		N	N																																																			
		125 psig; 8 bar; 0.8 MPa	125 psig; 8 bar; 0.8 MPa																																																			
		H	H																																																			
		232 psig; 16 bar; 1.6 MPa	232 psig; 16 bar; 1.6 MPa																																																			

\* Regulator comes with gauge respective to the adjustment range selected.

Most popular.



For inventory, lead times, and kit lookup, visit [www.pdnplu.com](http://www.pdnplu.com)

B20

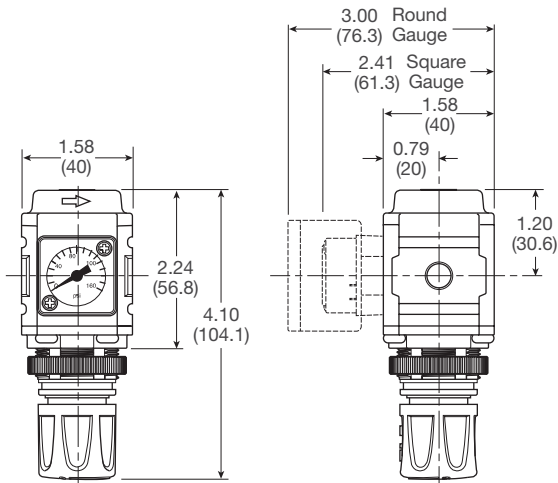
**Parker Hannifin Corporation**  
 Pneumatic Division  
 Richland, Michigan  
[www.parker.com/pneumatics](http://www.parker.com/pneumatics)

**Material Specifications**

Body	Aluminum
Adjustment knob	Acetal
Bonnet	PBT
Diaphragm assembly	Brass / Nitrile
Valve assembly	Brass / Nitrile
Springs	Steel
Seals	Nitrile
Panel nut	Acetal

**Repair and Service Kits**

Diaphragm repair kit - relieving	<b>P31KB00RB</b>
Diaphragm repair kit - non-relieving	<b>P31KB00RC</b>
Panel mount nut - aluminum	<b>P31KA00MM</b>
Panel mount nut - plastic	<b>P31KA00MP</b>
Angle bracket (attaches via panel nut)	<b>P31KB00MR</b>
C-bracket (fits to body)	<b>P31KA00MW</b>
T-bracket with body connector	<b>P31KA00MT</b>
Body connector	<b>P31KA00CB</b>

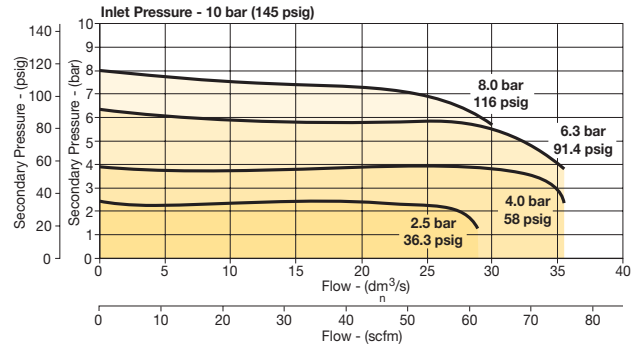


Inches (mm)

**NOTE:** 1.20 in. (30mm) hole required for panel nut mounting.

**Flow Charts**

**P31RB 1/4" Regulator**



**WARNING**  
 Product rupture can cause serious injury.  
 Do not connect regulator to bottled gas.  
 Do not exceed Maximum primary pressure rating.

**CAUTION:**

**REGULATOR PRESSURE ADJUSTMENT** – The working range of knob adjustment is designed to permit outlet pressures within their full range. Pressure adjustment beyond this range is also possible because the knob is not a limiting device. This is a common characteristic of most industrial regulators, and limiting devices may be obtained only by special design. For best performance, regulated pressure should always be set by increasing the pressure up to the desired setting.

**Gauges**

Square flush mount gauge	0-4 bar	<b>K4511SCR04B</b>
	0-11 bar	<b>K4511SCR11B</b>
	0-60 psig	<b>K4511SCR060</b>
	0-160 psig	<b>K4511SCR160</b>
Square with adapter kit	0-4 bar	<b>P6G-PR10040</b>
	0-11 bar	<b>P6G-PR10110</b>
	0-60 psig	<b>P6G-PR90060</b>
1.00" Round 1/8" center back mount	0-60 psig / 0-4 bar	<b>K4510N18060</b>
	0-160 psig / 0-11 bar	<b>K4510N18160</b>
	0-30 psig / 0-2 bar	<b>K4515N18030</b>
40mm Round 1/8" center back mount (Not for use with common port regulators)	0-60 psig / 0-4 bar	<b>K4515N18060</b>
	0-160 psig / 0-11 bar	<b>K4515N18160</b>

For best performance, regulated pressure should always be set by increasing the pressure up to the desired setting.

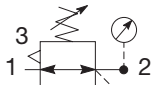
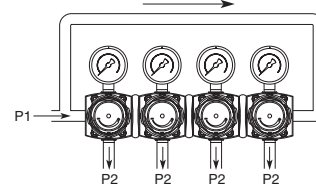
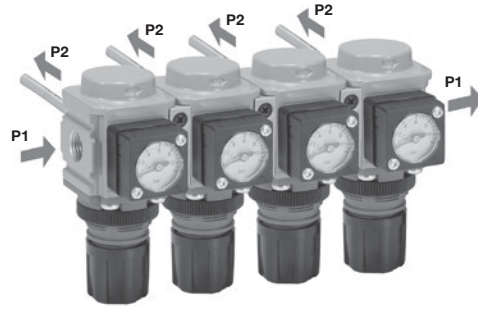
**B**  
 Global Air Preparation  
 Introduction  
 Filters  
 Coalescers  
 Regulators  
 Filter/Regulators  
 Lubricators  
 Combinations  
 Accessories and Kits



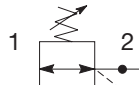
For inventory, lead time, and kit lookup, visit [www.pdnplu.com](http://www.pdnplu.com)

**P31 Common P1 Regulators – Mini**

- Manifold style regulator with line pressure on both sides
- Pressure output is at front or rear
- Inlet port 1/4" (NPT, BSPP & BSPT)
- Working port 1/8"
- Robust construction
- Secondary pressure ranges
- Secondary aspiration plus balanced poppet provides quick response and accurate pressure regulation
- Relieving & non-relieving types
- Non-rising knob



Self relieving regulator with gauge



Non-relieving regulator

Port size	Description (relieving)	Gauge	Part number
1/4"	125 psig (8 bar)	None	<b>P31HB92BNNP</b>
1/4"	125 psig (8 bar)	Square	<b>P31HB92BN5P</b>

**Operating information**

Flow capacity\*: 1/4 42 scfm (20 dm<sup>3</sup>/s, ANR)  
 Operating temperature: -4°F to 150°F (-20°C to 65.5°C)  
 Supply pressure (max): 300 psig (20 bar)  
 Adjusting range pressure: 30 psig (0-2 bar)  
 60 psig (0-4 bar)  
 125 psig (0-8 bar)  
 232 psig (0-16 bar)  
 P1 port size (inlet/outlet) 1/4 NPT, BSPP, BSPT  
 P2 regulated ports (2 ea.) 1/8 NPT, BSPP, BSPT  
 Weight: 0.66 lb (0.30 kg)

\* Inlet pressure 145 psig (10 bar). Secondary pressure 91.3 psig (6.3 bar) and 14.5 psig (1 bar) pressure drop.

**Ordering Information:**

**P31HB 9 2 B N 5 P**

- Basic series**: Global modular mini common regulator **P31HB**
- Thread type**: BSPP 1, BSPT 2, NPT 9
- Port size †**: 1/4 2 († Working port 1/8")
- Relief**: Relieving B, Non-relieving N, Reverse flow-relieving R
- Mounting**: P Plastic panel mount nut
- Adjustment**: N Non-rising knob
- Adjustment range**:
 

With square gauge		With round gauge	
psig	bar	Z	Without gauge
1 = 30*	V = 2*	M	30 psig; 2 bar; 0.2 MPa
3 = 60	S = 4	G	60 psig; 4 bar; 0.4 MPa
5 = 125	T = 8	J	125 psig; 8 bar; 0.8 MPa
		Y	232 psig; 16 bar; 1.6 MPa
		L	30 psig; 2 bar; 0.2 MPa
		N	60 psig; 4 bar; 0.4 MPa
		H	125 psig; 8 bar; 0.8 MPa
			232 psig; 16 bar; 1.6 MPa

\* Regulator comes with gauge respective to the adjustment range selected.

Most popular.



For inventory, lead times, and kit lookup, visit [www.pdnplu.com](http://www.pdnplu.com)

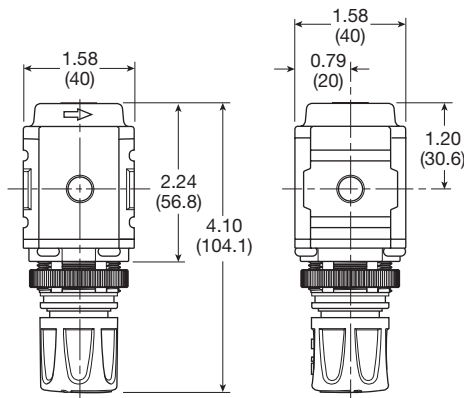
# Mini Common P1 Regulators

## Materials of Construction

Body	Aluminum
Adjustment knob	Acetal
Bonnet	Glass-filled PBT
Diaphragm assembly	Brass / Nitrile
Valve assembly	Brass / Nitrile

## Repair and Service Kits

Diaphragm repair kit - relieving	<b>P31KB00RB</b>
Diaphragm repair kit - non-relieving	<b>P31KB00RC</b>
Panel mount nut - aluminum	<b>P31KA00MM</b>
Panel mount nut - plastic	<b>P31KA00MP</b>
Angle bracket (attaches via panel nut)	<b>P31KB00MR</b>
T-bracket with body connector	<b>P31KA00MT</b>
Body connector	<b>P31KA00CB</b>



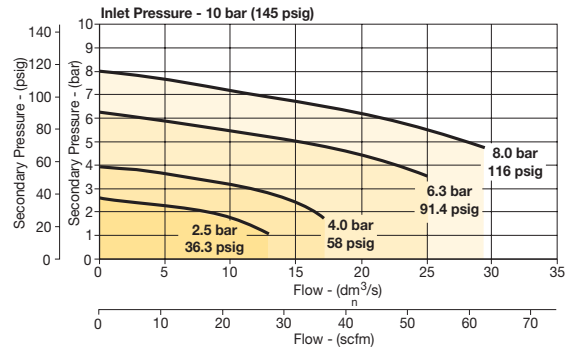
Inches (mm)

**NOTE:** 1.20 in. (30mm) hole required for panel nut mounting.

# Air Preparation Products Global Air Preparation

## Flow Charts

### P31HB 1/4" Common Regulator



**⚠ WARNING**

**Product rupture can cause serious injury.  
Do not connect regulator to bottled gas.  
Do not exceed Maximum primary pressure rating.**

### CAUTION:

**REGULATOR PRESSURE ADJUSTMENT** – The working range of knob adjustment is designed to permit outlet pressures within their full range. Pressure adjustment beyond this range is also possible because the knob is not a limiting device. This is a common characteristic of most industrial regulators, and limiting devices may be obtained only by special design. For best performance, regulated pressure should always be set by increasing the pressure up to the desired setting.

### Gauges

Square with adapter kit	0-4 bar	<b>P6G-PR10040</b>
	0-11 bar	<b>P6G-PR10110</b>
	0-60 psig	<b>P6G-PR90060</b>
	0-160 psig	<b>P6G-PR90160</b>
1.00" round 1/8" center back mount	0-60 psig / 0-4 bar	<b>K4510N18060</b>
	0-160 psig / 0-11 bar	<b>K4510N18160</b>

For best performance, regulated pressure should always be set by increasing the pressure up to the desired setting.

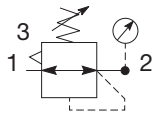
<b>B</b>
Global Air Preparation
Introduction
Filters
Coalescers
Regulators
Filter/Regulators
Lubricators
Combinations
Accessories and Kits



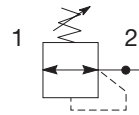
For inventory, lead time, and kit lookup, visit [www.pdnplu.com](http://www.pdnplu.com)

## P32 Regulators – Compact

- Integral 1/4", 3/8" or 1/2" ports (NPT, BSPP & BSPT)
- Robust but lightweight aluminum construction
- Secondary pressure ranges
- Secondary aspiration plus balanced poppet provides quick response and accurate pressure regulation
- Relieving & non-relieving types
- Regulator will reverse flow as standard
- Non-rising knob
- Available T-handle



Self relieving regulator with gauge



Non-relieving regulator

Port size	Description (relieving)	Gauge	Part number
1/4"	125 psig (8 bar)	None	<b>P32RB92BNNP</b>
1/4"	125 psig (8 bar)	Round	<b>P32RB92BNGP</b>
3/8"	125 psig (8 bar)	None	<b>P32RB93BNNP</b>
3/8"	125 psig (8 bar)	Round	<b>P32RB93BNGP</b>
1/2"	125 psig (8 bar)	None	<b>P32RB94BNNP</b>
1/2"	125 psig (8 bar)	Round	<b>P32RB94BNGP</b>

### Operating information

Flow capacity*:	
1/4	148 scfm (70 dm <sup>3</sup> /s, ANR)
3/8, 1/2	165 scfm (78 dm <sup>3</sup> /s, ANR)
Operating temperature:	-13°F to 150°F (-25°C to 65.5°C)
Supply pressure (max):	300 psig (20 bar)
Adjusting range pressure:	30 psig (0-2 bar) 60 psig (0-4 bar) 125 psig (0-8 bar) 250 psig (0-17 bar)
Gauge port (2 each)	1/4 NPT, BSPP, BSPT
Weight:	0.90 lb (0.41 kg)
* Inlet pressure 145 psig (10 bar). Secondary pressure 91.3 psig (6.3 bar) and 14.5 psig (1 bar) pressure drop.	

### Ordering Information:

<b>P32RB</b>		<b>9</b>	<b>2</b>	<b>B</b>	<b>N</b>	<b>G</b>	<b>P</b>																												
<b>Basic series</b> Global modular compact regulator <b>P32RB</b>		<b>Thread type</b> BSPP 1 BSPT 2 NPT 9		<b>Port size</b> 1/4 2 3/8 3 1/2 4		<b>Relief</b> Relieving B Non-relieving N																													
						<b>Mounting</b> P Plastic panel mount nut																													
						<b>Adjustment range</b>																													
						<table border="1"> <thead> <tr> <th colspan="2">With square gauge</th> <th colspan="2">With round gauge</th> </tr> <tr> <th>psig</th> <th>bar</th> <th>Z</th> <th>M</th> </tr> </thead> <tbody> <tr> <td>1 = 30*</td> <td>V = 2*</td> <td>30 psig; 2 bar; 0.2 MPa</td> <td>60 psig; 4 bar; 0.4 MPa</td> </tr> <tr> <td>3 = 60</td> <td>S = 4</td> <td>G 125 psig; 8 bar; 0.8 MPa</td> <td>J 250 psig; 17 bar; 1.7 MPa</td> </tr> <tr> <td>5 = 125</td> <td>T = 8</td> <td colspan="2" style="text-align: center;"><b>Without gauge</b></td> </tr> <tr> <td colspan="2"></td> <td>Y 30 psig; 2 bar; 0.2 MPa</td> <td>L 60 psig; 4 bar; 0.4 MPa</td> </tr> <tr> <td colspan="2"></td> <td>N 125 psig; 8 bar; 0.8 MPa</td> <td>H 250 psig; 17 bar; 1.7 MPa</td> </tr> </tbody> </table>		With square gauge		With round gauge		psig	bar	Z	M	1 = 30*	V = 2*	30 psig; 2 bar; 0.2 MPa	60 psig; 4 bar; 0.4 MPa	3 = 60	S = 4	G 125 psig; 8 bar; 0.8 MPa	J 250 psig; 17 bar; 1.7 MPa	5 = 125	T = 8	<b>Without gauge</b>				Y 30 psig; 2 bar; 0.2 MPa	L 60 psig; 4 bar; 0.4 MPa			N 125 psig; 8 bar; 0.8 MPa	H 250 psig; 17 bar; 1.7 MPa
With square gauge		With round gauge																																	
psig	bar	Z	M																																
1 = 30*	V = 2*	30 psig; 2 bar; 0.2 MPa	60 psig; 4 bar; 0.4 MPa																																
3 = 60	S = 4	G 125 psig; 8 bar; 0.8 MPa	J 250 psig; 17 bar; 1.7 MPa																																
5 = 125	T = 8	<b>Without gauge</b>																																	
		Y 30 psig; 2 bar; 0.2 MPa	L 60 psig; 4 bar; 0.4 MPa																																
		N 125 psig; 8 bar; 0.8 MPa	H 250 psig; 17 bar; 1.7 MPa																																
						<b>Adjustment</b> N Non-rising knob T T-Handle																													
						* Regulator comes with gauge respective to the adjustment range selected.																													

Most popular.



For inventory, lead times, and kit lookup, visit [www.pdnplu.com](http://www.pdnplu.com)

**Material Specifications**

Body	Aluminum
Adjustment knob	Acetal
Bonnet	Glass-filled nylon
Diaphragm assembly	Nitrile / Zinc
Valve assembly	Brass / Nitrile
Springs	Steel, stainless steel
Seals	Nitrile
Panel nut	Acetal

**Repair and Service Kits**

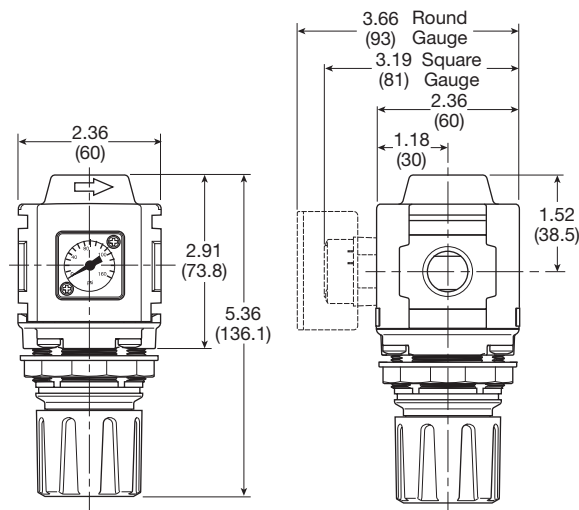
Diaphragm repair kit - relieving	<b>P32KB00RB</b>
Diaphragm repair kit - non-relieving	<b>P32KB00RC</b>
Panel mount nut - aluminum	<b>P32KA00MM</b>
Panel mount nut - plastic	<b>P32KA00MP</b>
Angle bracket (attaches via panel nut)	<b>P32KB00MR</b>
T-bracket with body connector	<b>P32KA00MT</b>
T-bracket	<b>P32KA00MB</b>
Body connector	<b>P32KA00CB</b>

**WARNING**

**Product rupture can cause serious injury.  
 Do not connect regulator to bottled gas.  
 Do not exceed Maximum primary pressure rating.**

**CAUTION:**

**REGULATOR PRESSURE ADJUSTMENT** – The working range of knob adjustment is designed to permit outlet pressures within their full range. Pressure adjustment beyond this range is also possible because the knob is not a limiting device. This is a common characteristic of most industrial regulators, and limiting devices may be obtained only by special design. For best performance, regulated pressure should always be set by increasing the pressure up to the desired setting.

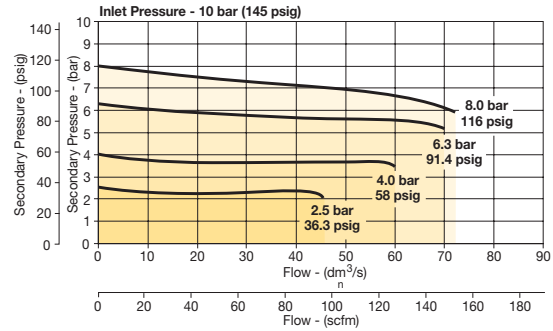


Inches (mm)

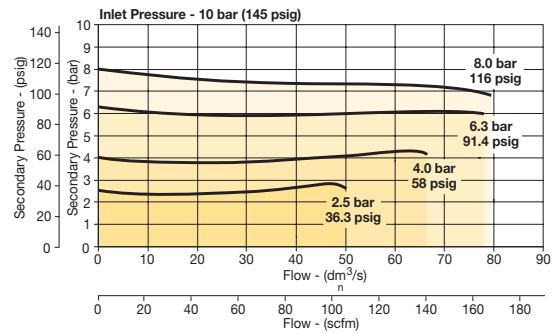
**NOTE:** 1.90 in. (48mm) hole required for panel nut mounting.

**Flow Charts**

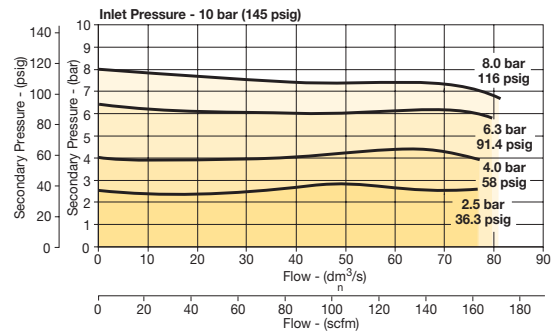
**P32RB 1/4" Regulator**



**P32RB 3/8" Regulator**



**P32RB 1/2" Regulator**



**Gauges**

Square flush mount gauge	0-4 bar	<b>K4511SCR04B</b>
	0-11 bar	<b>K4511SCR11B</b>
	0-60 psig	<b>K4511SCR060</b>
	0-160 psig	<b>K4511SCR160</b>
Square with adapter kit	0-4 bar	<b>P6G-PR10040</b>
	0-11 bar	<b>P6G-PR10110</b>
	0-60 psig	<b>P6G-PR90060</b>
	0-160 psig	<b>P6G-PR90160</b>
50mm (2") round 1/4" center back mount	0-30 psig / 0-2 bar	<b>K4520N14030</b>
	0-60 psig / 0-4 bar	<b>K4520N14060</b>
	0-160 psig / 0-11 bar	<b>K4520N14160</b>
	0-300 psig / 0-20 bar	<b>K4520N14300</b>

For best performance, regulated pressure should always be set by increasing the pressure up to the desired setting.

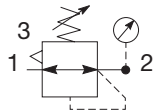


For inventory, lead time, and kit lookup, visit [www.pdnplu.com](http://www.pdnplu.com)

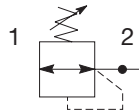
**Compact Semi-Precision Regulators**

**P32 Semi-Precision Regulator – Compact**

- Integral 1/4", 3/8" or 1/2" ports (NPT, BSPP & BSPT)
- Robust but lightweight aluminum construction
- Secondary pressure ranges
- Secondary aspiration plus balanced poppet provides quick response and accurate pressure regulation
- Relieving & non-relieving types
- Regulator will reverse flow as standard
- Non-rising knob



Self relieving regulator with gauge



Non-relieving regulator

Port size	Description (relieving)	Gauge	Part number
1/4"	125 psig (8 bar)	None	<b>P32RB92PNNP</b>
1/4"	125 psig (8 bar)	Round	<b>P32RB92PNGP</b>
3/8"	125 psig (8 bar)	None	<b>P32RB93PNNP</b>
3/8"	125 psig (8 bar)	Round	<b>P32RB93PNGP</b>
1/2"	125 psig (8 bar)	None	<b>P32RB94PNNP</b>
1/2"	125 psig (8 bar)	Round	<b>P32RB94PNGP</b>

**Operating information**

Flow capacity*: 1/4, 3/8, 1/2	53 scfm (25 dm <sup>3</sup> /s, ANR)
Effect of supply pressure variation	0.6 psig (0.04 bar) for 25 psig (1.7 bar) change in P1
Operating temperature:	-13°F to 150°F (-25°C to 65.5°C)
Supply pressure (max):	300 psig (20 bar)
Adjusting range pressure:	0 to 30 psig (0 to 2 bar) 0 to 60 psig (0 to 4 bar) 0 to 125 psig (0 to 8 bar) 0 to 250 psig (0 to 17 bar)
Gauge port (2 each):	1/4 NPT, BSPP, BSPT
Weight:	0.90 lb (0.41 kg)

\* Inlet pressure 145 psig (10 bar). Secondary pressure 91.3 psig (6.3 bar) and 14.5 psig (1 bar) pressure drop.

**Ordering Information:**

**P32RB 9 2 P N G P**

<b>Basic series</b> Global modular compact regulator P32RB	<b>Thread type</b> BSPP 1 BSPT 2 NPT 9	<b>Port size</b> 1/4 2 3/8 3 1/2 4	<b>Relief</b> Semi-precision relieving P Semi-precision non-relieving N	<b>Mounting</b> P Plastic panel mount nut	<b>Adjustment range</b>																				
					<table border="1"> <thead> <tr> <th colspan="2">With square gauge</th> <th colspan="2">With round gauge</th> </tr> <tr> <th>psig</th> <th>bar</th> <th>Z</th> <th>M</th> </tr> </thead> <tbody> <tr> <td>1 = 30*</td> <td>V = 2*</td> <td>G</td> <td>J</td> </tr> <tr> <td>3 = 60</td> <td>S = 4</td> <td></td> <td></td> </tr> <tr> <td>5 = 125</td> <td>T = 8</td> <td></td> <td></td> </tr> </tbody> </table>	With square gauge		With round gauge		psig	bar	Z	M	1 = 30*	V = 2*	G	J	3 = 60	S = 4			5 = 125	T = 8		
With square gauge		With round gauge																							
psig	bar	Z	M																						
1 = 30*	V = 2*	G	J																						
3 = 60	S = 4																								
5 = 125	T = 8																								
					<table border="1"> <thead> <tr> <th colspan="2">Without gauge</th> </tr> <tr> <th>Y</th> <th>L</th> </tr> </thead> <tbody> <tr> <td>N</td> <td>N</td> </tr> <tr> <td>H</td> <td>H</td> </tr> </tbody> </table>	Without gauge		Y	L	N	N	H	H												
Without gauge																									
Y	L																								
N	N																								
H	H																								
				<b>Adjustment</b> N Non-rising knob T T-Handle																					

\* Regulator comes with gauge respective to the adjustment range selected.

Most popular.



For inventory, lead times, and kit lookup, visit [www.pdnplu.com](http://www.pdnplu.com)



**Material Specifications**

Body	Aluminum
Adjustment knob	Acetal
Bonnet	Glass-filled nylon
Diaphragm assembly	Nitrile / zinc
Valve assembly	Brass / nitrile
Springs	Steel, stainless steel
Seals	Nitrile
Panel nut	Acetal

**Repair and Service Kits**

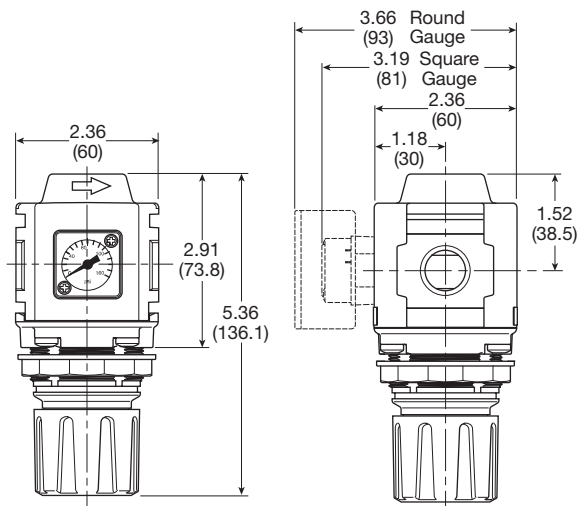
Diaphragm repair kit - relieving	<b>P32KB00RB</b>
Diaphragm repair kit - non-relieving	<b>P32KB00RC</b>
Panel mount nut - aluminum	<b>P32KA00MM</b>
Panel mount nut - plastic	<b>P32KA00MP</b>
Angle bracket (attaches via panel nut)	<b>P32KB00MR</b>
T-bracket with body connector	<b>P32KA00MT</b>
T-bracket	<b>P32KA00MB</b>
Body connector	<b>P32KA00CB</b>

**⚠ WARNING**

**Product rupture can cause serious injury.  
Do not connect regulator to bottled gas.  
Do not exceed Maximum primary pressure rating.**

**CAUTION:**

**REGULATOR PRESSURE ADJUSTMENT** – The working range of knob adjustment is designed to permit outlet pressures within their full range. Pressure adjustment beyond this range is also possible because the knob is not a limiting device. This is a common characteristic of most industrial regulators, and limiting devices may be obtained only by special design. For best performance, regulated pressure should always be set by increasing the pressure up to the desired setting.

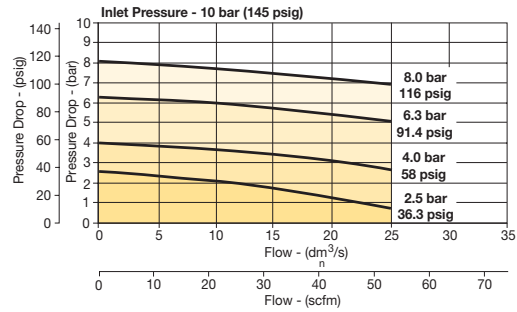


Inches (mm)

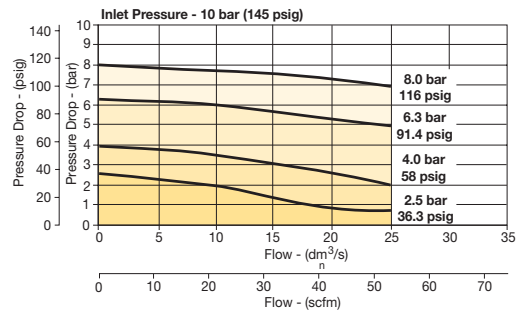
**NOTE:** 1.90 in. (48mm) hole required for panel nut mounting.

**Flow Charts**

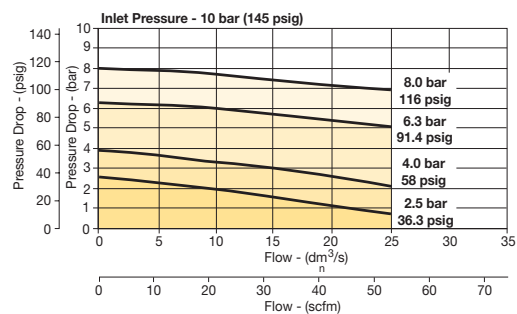
**P32RB 1/4" Regulator**



**P32RB 3/8" Regulator**



**P32RB 1/2" Regulator**



**Gauges**

Square flush mount gauge	0-4 bar	<b>K4511SCR04B</b>
	0-11 bar	<b>K4511SCR11B</b>
	0-60 psig	<b>K4511SCR060</b>
	0-160 psig	<b>K4511SCR160</b>
Square with adapter kit	0-4 bar	<b>P6G-PR10040</b>
	0-11 bar	<b>P6G-PR10110</b>
	0-60 psig	<b>P6G-PR90060</b>
	0-160 psig	<b>P6G-PR90160</b>
50mm (2") round 1/4" center back mount	0-30 psig / 0-2 bar	<b>K4520N14030</b>
	0-60 psig / 0-4 bar	<b>K4520N14060</b>
	0-160 psig / 0-11 bar	<b>K4520N14160</b>
	0-300 psig / 0-20 bar	<b>K4520N14300</b>

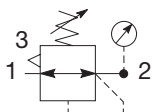
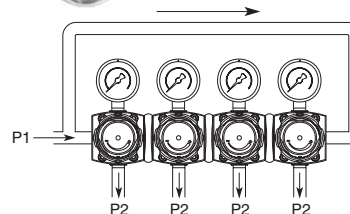
For best performance, regulated pressure should always be set by increasing the pressure up to the desired setting.



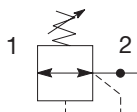
For inventory, lead time, and kit lookup, visit [www.pdnplu.com](http://www.pdnplu.com)

# P32 Common - P1 Regulator – Compact

- Manifold style regulator with line pressure on both sides.
- Pressure output is at front or rear.
- Inlet ports 1/4", 3/8" or 1/2" (NPT, BSPP & BSPT)
- Working port 1/4"
- Robust construction
- Secondary pressure ranges
- Secondary aspiration plus balanced poppet provides quick response and accurate pressure regulation
- Relieving & non-relieving types
- Regulator will reverse flow as standard
- Non-rising knob



Self relieving regulator with gauge



Non-relieving regulator

Port size	Description (relieving)	Gauge	Part number
1/4"	125 psig (8 bar)	None	<b>P32HB92BNNP</b>
3/8"	125 psig (8 bar)	None	<b>P32HB93BNNP</b>
1/2"	125 psig (8 bar)	None	<b>P32HB94BNNP</b>

### Operating information

Flow capacity*:	1/4, 3/8, 1/2	64 scfm (30 dm <sup>3</sup> /s, ANR)
Operating temperature:		-25°C to 65.5°C (-13°F to 150°F)
Supply pressure (max):		300 psig (20 bar)
Adjusting range pressure:		0 to 30 psig (0 to 2 bar) 0 to 60 psig (0 to 4 bar) 0 to 125 psig (0 to 8 bar) 0 to 232 psig (0 to 16 bar)
Gauge port (2 each):		1/4 NPT, BSPP, BSPT
Weight:		0.50 lb (1.10 kg)

\* Inlet pressure 145 psig (10 bar). Secondary pressure 91.3 psig (6.3 bar) and 14.5 psig (1 bar) pressure drop.

### Ordering Information:

**P32HB 9 2 B N N P**

**Basic series**

Global modular compact regulator **P32HB**

**Thread type**

BSPP 1  
BSPT 2  
NPT 9

**Port size †**

1/4 2  
3/8 3  
1/2 4

† Working port 1/4".

**Relief**

Relieving B  
Non-relieving N

**Mounting**

P Plastic panel mount nut

**Adjustment**

N Non-rising knob  
T T-Handle

**Adjustment range**

With square gauge		With round gauge	
psig	bar		
1 = 30*	V = 2*	Z	30 psig; 2 bar; 0.2 MPa
3 = 60	S = 4	M	60 psig; 4 bar; 0.4 MPa
5 = 125	T = 8	G	125 psig; 8 bar; 0.8 MPa
		J	250 psig; 17 bar; 1.7 MPa
<b>Without gauge</b>			
		Y	30 psig; 2 bar; 0.2 MPa
		L	60 psig; 4 bar; 0.4 MPa
		N	125 psig; 8 bar; 0.8 MPa
		H	250 psig; 17 bar; 1.7 MPa

\* Regulator comes with gauge respective to the adjustment range selected.

Most popular.



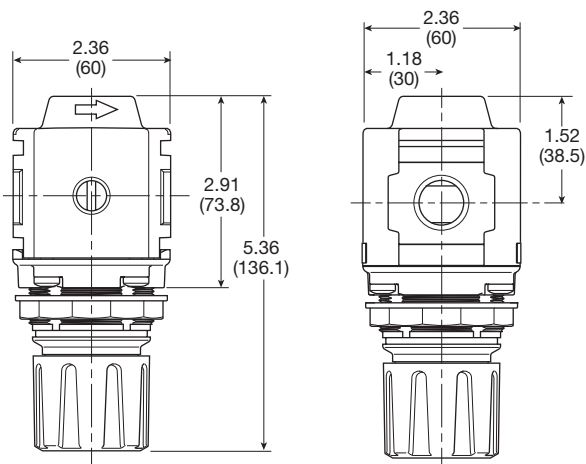
For inventory, lead times, and kit lookup, visit [www.pdnplu.com](http://www.pdnplu.com)

**Material Specifications**

Body	Aluminum
Adjustment knob	Acetal
Bonnet	Glass-filled nylon
Diaphragm assembly	Nitrile / zinc
Valve assembly	Brass / nitrile
Springs	Steel, stainless steel
Seals	Nitrile
Panel nut	Acetal

**Repair and Service Kits**

Diaphragm repair kit - relieving	<b>P32KB00RB</b>
Diaphragm repair kit - non-relieving	<b>P32KB00RC</b>
Panel mount nut - aluminum	<b>P32KA00MM</b>
Panel mount nut - plastic	<b>P32KA00MP</b>
Angle bracket (attaches via panel nut)	<b>P32KB00MR</b>
T-bracket with body connector	<b>P32KA00MT</b>
T-bracket	<b>P32KA00MB</b>
Body connector	<b>P32KA00CB</b>

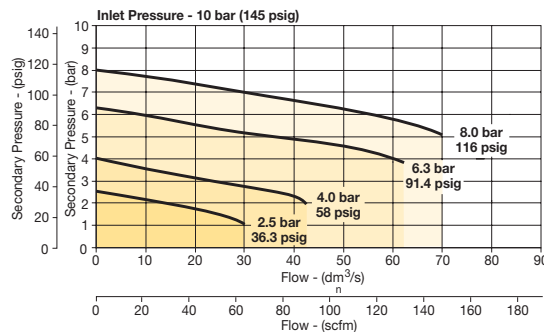


Inches (mm)

**NOTE:** 1.90 in. (48mm) hole required for panel nut mounting.

**Flow Charts**

**P32HB Common Port Regulator**



**WARNING**  
 Product rupture can cause serious injury.  
 Do not connect regulator to bottled gas.  
 Do not exceed Maximum primary pressure rating.

**CAUTION:**

**REGULATOR PRESSURE ADJUSTMENT** – The working range of knob adjustment is designed to permit outlet pressures within their full range. Pressure adjustment beyond this range is also possible because the knob is not a limiting device. This is a common characteristic of most industrial regulators, and limiting devices may be obtained only by special design. For best performance, regulated pressure should always be set by increasing the pressure up to the desired setting.

**Gauges**

Square flush mount gauge	0-4 bar	<b>K4511SCR04B</b>
	0-11 bar	<b>K4511SCR11B</b>
	0-60 psig	<b>K4511SCR060</b>
	0-160 psig	<b>K4511SCR160</b>
Square with adapter kit	0-4 bar	<b>P6G-PR10040</b>
	0-11 bar	<b>P6G-PR10110</b>
	0-60 psig	<b>P6G-PR90060</b>
	0-160 psig	<b>P6G-PR90160</b>
50mm (2") round 1/4" center back mount	0-30 psig / 0-2 bar	<b>K4520N14030</b>
	0-60 psig / 0-4 bar	<b>K4520N14060</b>
	0-160 psig / 0-11 bar	<b>K4520N14160</b>
	0-300 psig / 0-20 bar	<b>K4520N14300</b>

For best performance, regulated pressure should always be set by increasing the pressure up to the desired setting.



For inventory, lead time, and kit lookup, visit [www.pdnplu.com](http://www.pdnplu.com)

**B**

Global Air Preparation

Introduction

Filters

Coalescers

Regulators

Filter/Regulators

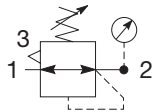
Lubricators

Combinations

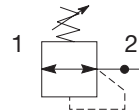
Accessories and Kits

## P33 Regulators – Standard

- Integral 1/2" or 3/4" ports (NPT, BSPP & BSPT)
- Robust but lightweight aluminum construction
- Secondary pressure ranges
- Secondary aspiration plus balanced poppet provides quick response and accurate pressure regulation
- Relieving & non-relieving types
- Non-rising knob



Self relieving regulator with gauge



Non-relieving regulator

### Operating information

Flow capacity*:	1/2, 3/4	233 scfm (110 dm <sup>3</sup> /s, ANR)
Operating temperature:		-13°F to 150°F (-25°C to 65.5°C)
Supply pressure (max):		300 psig (20 bar)
Adjusting range pressure:		0 to 30 psig (0 to 2 bar) 0 to 60 psig (0 to 4 bar) 0 to 125 psig (0 to 8 bar) 0 to 250 psig (0 to 17 bar)
Gauge port (2 each):		1/4 NPT, BSPP, BSPT
Weight:		1.37 lb (0.62 kg)

\* Inlet pressure 145 psig (10 bar). Secondary pressure 91.3 psig (6.3 bar) and 14.5 psig (1 bar) pressure drop.

Port size	Description (relieving)	Gauge	Part number
1/2"	125 psig (8 bar)	None	<b>P33RA94BNNP</b>
1/2"	125 psig (8 bar)	Round	<b>P33RA94BNGP</b>
3/4"	125 psig (8 bar)	None	<b>P33RA96BNNP</b>
3/4"	125 psig (8 bar)	Round	<b>P33RA96BNGP</b>

### Ordering Information:

**P33RA 9 6 B N G P**

<b>Basic series</b> Global modular standard regulator P33RA	<b>Thread type</b> BSPP 1 BSPT 2 NPT 9	<b>Port size</b> 1/2 4 3/4 6	<b>Relief</b> Relieving B Non-relieving N Reverse flow-relieving R	<b>Adjustment</b> Non-rising knob N	<b>Mounting</b> P Plastic panel mount nut
---	---	------------------------------------	---	--	--

Adjustment range	
With round gauge	
Z	30 psig; 2 bar; 0.2 MPa
M	60 psig; 4 bar; 0.4 MPa
G	125 psig; 8 bar; 0.8 MPa
J	250 psig; 17 bar; 1.7 MPa
Without gauge	
Y	30 psig; 2 bar; 0.2 MPa
L	60 psig; 4 bar; 0.4 MPa
N	125 psig; 8 bar; 0.8 MPa
H	250 psig; 17 bar; 1.7 MPa

Most popular.



For inventory, lead times, and kit lookup, visit [www.pdnplu.com](http://www.pdnplu.com)

B30

**Parker Hannifin Corporation**  
 Pneumatic Division  
 Richland, Michigan  
[www.parker.com/pneumatics](http://www.parker.com/pneumatics)

**Material Specifications**

Body	Aluminum
Adjustment knob	Acetal
Body cap	ABS
Bonnet	Glass-filled nylon
Diaphragm assembly	Nitrile / zinc
Valve assembly	Brass / nitrile
Springs	Steel, stainless steel
Seals	Nitrile
Panel nut	Acetal

**Repair and Service Kits**

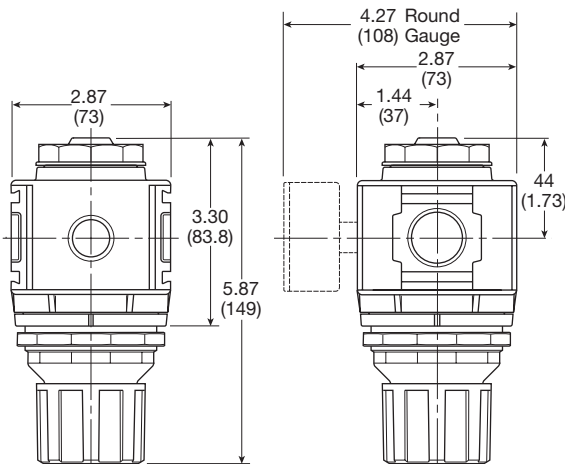
Diaphragm repair kit - relieving	<b>P33KA00RB</b>
Diaphragm repair kit - non-relieving	<b>P33KA00RC</b>
Panel mount nut - aluminum	<b>P33KA00MM</b>
Panel mount nut - plastic	<b>P33KA00MP</b>
Angle bracket (attaches via panel nut)	<b>P33KA00MR</b>
T-bracket with body connector	<b>P32KA00MT</b>
T-bracket	<b>P32KA00MB</b>
Body connector	<b>P32KA00CB</b>

**WARNING**

**Product rupture can cause serious injury.  
 Do not connect regulator to bottled gas.  
 Do not exceed Maximum primary pressure rating.**

**CAUTION:**

**REGULATOR PRESSURE ADJUSTMENT** – The working range of knob adjustment is designed to permit outlet pressures within their full range. Pressure adjustment beyond this range is also possible because the knob is not a limiting device. This is a common characteristic of most industrial regulators, and limiting devices may be obtained only by special design. For best performance, regulated pressure should always be set by increasing the pressure up to the desired setting.

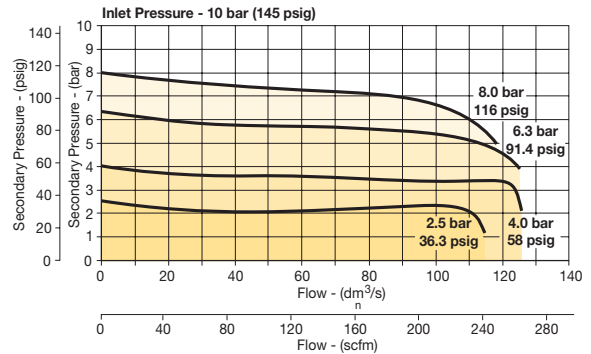


Inches (mm)

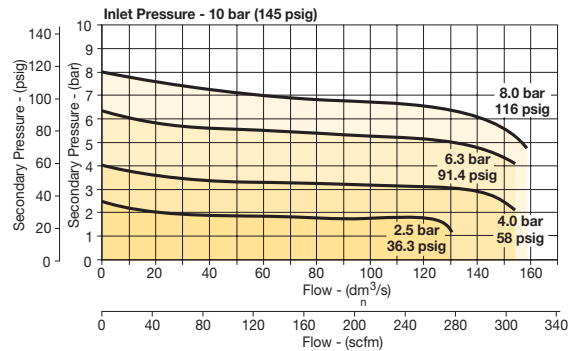
**NOTE:** 2.40 in. (61mm) hole required for panel nut mounting.

**Flow Charts**

**P33RA 1/2" Regulator**



**P33RA 3/4" Regulator**



**Gauges**

<b>50mm (2") round 1/4" center back mount</b>	0-30 psig / 0-2 bar	<b>K4520N14030</b>
	0-60 psig / 0-4 bar	<b>K4520N14060</b>
	0-160 psig / 0-11 bar	<b>K4520N14160</b>
	0-300 psig / 0-20 bar	<b>K4520N14300</b>

For best performance, regulated pressure should always be set by increasing the pressure up to the desired setting.



For inventory, lead time, and kit lookup, visit [www.pdnplu.com](http://www.pdnplu.com)

## P31P & P32P Proportional Regulators

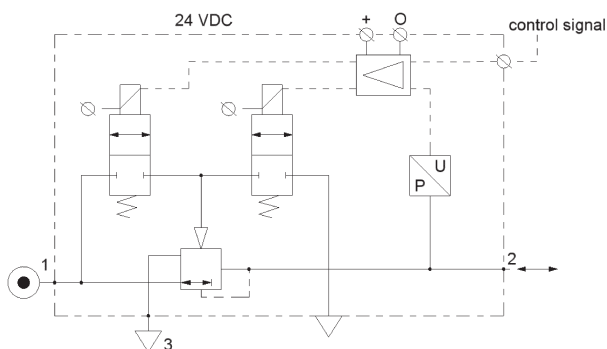
- Very fast response times
- Accurate output pressure
- Parameter settings
- Selectable I/O parameters
- Quick, full flow exhaust
- LED display indicates output pressure
- No air consumption in steady state
- Multiple mounting options
- Protection to IP65



P31P Series  
Bottom exhaust



P32P Series  
Bottom exhaust



Port size	Description	Part number
1/4"	145 psig (0-10 bar), NC 0-10V	<b>P31PA92AD2VD1</b>
1/2"	145 psig (0-10 bar), NC 0-10V	<b>P32PA92AD2VD1</b>

### Operating information

Flow capacity*:	P31P	40 scfm (19 dm <sup>3</sup> /s, ANR)
	P32P	120 scfm (57 dm <sup>3</sup> /s, ANR)
Temperature range:	32°F to 122°F (0°C to 50°C)	
Supply pressure (max):	2 bar unit	36.3 psig (2.5 bar)
	10 bar unit	152 psig (10.5 bar)
Operating pressure (min):	P2 pressure + 7.3 psig (0.5 bar)	
Working medium:	Compressed air or inert gasses, filtered to 40µ	
Pressure range:	0 to 30 psig (0 to 2 bar)	0 to 145 psig (0 to 10 bar)
Weight:	P31P	0.64 lb (0.291 kg)
	P32P	1.42 lb (0.645 kg)

\* Inlet pressure 91.3 psig (6.3 bar), inlet pressure and 4.9 psig (0.34 bar) pressure drop.

### Ordering Information:

**P31PA 9 2 A D 2 V D 1**

<b>Body size</b>	<b>Thread type</b>	<b>Power supply</b>	<b>Control signal</b>	<b>Input connector</b>
Global modular mini (1/4") P31PA	BSPP 1	2 24 volts	V 0-10V <sup>†</sup>	1 M12 (4-pin)
Global modular compact (1/2") P32PA	BSPT 2		‡ Factory setting is 0-10 V control signal. 4-20 mA control signal available via parameter 4 on keypad.	
	NPT 9			
<b>Port size</b>	<b>Pressure range</b>		<b>Output signal</b>	
Global modular mini (1/4") 2	Z 0 - 29 psig (0 - 2 bar)		D Digital, PNP	
Global modular compact (1/2") 4	D 0 - 145 psig (0 - 10 bar)		P PNP or 0-10V	
			N NPN or 0-10V	
<b>Version</b>			M 4-20mA fixed	
Bottom ported exhaust (NC) A				
Bottom ported forced exhaust (NO) <sup>†</sup> E				

† When the supply voltage is lost the unit will automatically exhaust the regulated pressure to 0 bar (atmospheric pressure)

D) Digital PNP output only, no analog output selectable  
 P) Digital PNP and analogue 0-10V outputs selectable, by means of parameter 6. (Factory default 0-10V)  
 N) Digital NPN and analog 0-10 V outputs selectable by means of parameter 6. Factory default 0-10V  
 M) Analog 4-20mA output only.  
 Note: On all analog outputs the F.S. value can be adjusted by means of parameter 8.

Most popular.



For inventory, lead times, and kit lookup, visit [www.pdnplu.com](http://www.pdnplu.com)

B32

Parker Hannifin Corporation  
Pneumatic Division  
Richland, Michigan  
[www.parker.com/pneumatics](http://www.parker.com/pneumatics)

**Proportional Regulators**

**Technical Information**

**Accuracy**

+/- 1.0% of F.S.\*

\* Full scale (F.S.) - For 2 bar (29 psig) versions this will be 2 bar (29 psig), for the 10 bar (145 psig) version full scale will be 10 bar (145 psig).

**Air consumption**

No consumption in stable regulated situation.

**Display**

The regulator is provided with a digital display, indicating the output pressure, either in bar or psig.

The factory setting is as indicated on the label, can be changed through to software at all times (parameter 14)

**Supply voltage**

24 VDC +/- 10%

**Power consumption**

Max. 1.1W with unloaded signal outputs

**Control signals**

The electronic pressure regulator can be externally controlled through an analogue control signal of either 0-10V or 4-20mA. (parameter 4).

**Output signals**

As soon as the output pressure is within the signal band a signal is given of 24VDC, PNP Ri = 1 kOhm  
Outside the signal band this connection is 0V.

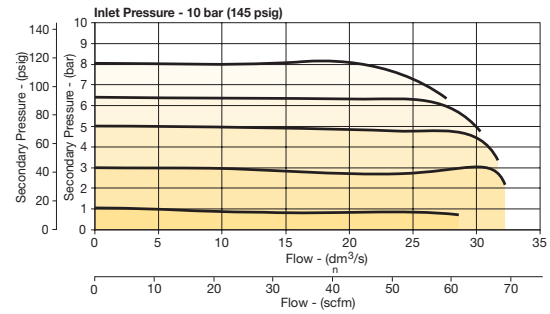
**Connections**

(In case of output signal (Option D)  
Central M12 connector 4-pole  
The electrical connections are as follows:

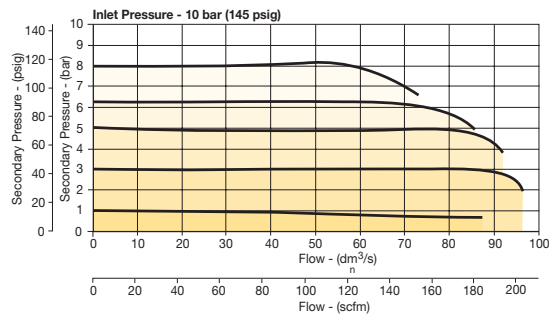
Pin No.	Function	Color
1	24 V Supply	Brown
2	0 to 10 V Control Signal Ri = 100k Ω	White
	4 to 20mA Control Signal Ri = 500 Ω	
3	0 V (GND) Supply & Set Point Ground	Blue
4	24 V Alarm Output Signal	Black

**Flow Charts**

**P31P Regulator 1/4" Ports**



**P32P Regulator 1/2" Ports**



**Degree of protection:** IP65

**EU conformity**

CE: standard  
EMC: according to directive 89/336/EEC  
This pressure regulator is in accordance with:

- EN 61000-6-1:2001**
- EN 61000-6-2:2001**
- EN 61000-6-3:2001**
- EN 61000-6-4:2001**

**Mounting position**

Preferably vertical, with the cable gland on top.

**Materials: P31P & P32P**

Magnet core	Steel
Solenoid valve poppet	FPM
Solenoid valve housing	Techno polymer
Regulator body (P31P & P32P versions)	Aluminum
Regulator top housing	Nylon
Valve head	Brass & NBR
Remaining seals	NBR

**B**

Global Air Preparation

Introduction

Filters

Coalescers

Regulators

Filter/Regulators

Lubricators

Combinations

Accessories and Kits



For inventory, lead time, and kit lookup, visit [www.pdnplu.com](http://www.pdnplu.com)

**How to change parameters – How to Videos available at [www.parker.com/pneu/propreg](http://www.parker.com/pneu/propreg)**

Pressing the Accept key “acc” for more than 3 seconds, will activate parameter change mode. The user can then select the parameters by pressing up or down key (display will show Pxx). When parameter number is correct, pressing accept again will enter parameter number (display will show parameter value).

Pressing the up or down key will change the parameter itself (display will flash indicating parameter editing mode). Pressing the accept key will accept the new parameter value (all digits will flash whilst being accepted).

After releasing all keys, the next parameter number will be presented on the display (you may step to the next parameter). When no key is pressed, after 3 seconds the display will show the actual output pressure.

When the unit is initially powered up allow approximately 10 seconds for the unit to “boot-up” before changing parameter settings.

Only parameter numbers 0, 4, 6, 8, 9, 14, 18, 19, 20, 12, 13 and 21 are accessible to edit. All other parameters are fixed.

**Manual mode:**

When keys DOWN and UP are pressed during startup, (connecting to the 24V power supply) manual mode is activated. This means that the user is able to in/decrease the output pressure of the regulator, by pressing the UP or DOWN key. During this action the display will blink, indicating that the manual mode is activated. After powering up again, the unit will revert back to normal mode.















**Back to Factory Setting**

After start up. (Power is on)

Entering this value in parameter 0 will store the calibrated factory data into the working parameters.

(Default calibration data is used)















**Parameter Number 0 – Reset Back to Factory Settings**

Step	1	2	3	4	5	
<b>Press</b> 	 3-6 seconds	 or 		 or 		
<b>Until Display Reads</b>			 Flashing Decimal	 Flashing Decimal	 Flashing	
<b>Description</b>	Accesses changeable parameters.	Accesses parameter no. 0.	Displays current parameter value.	Edits parameter. 3 = standard factory settings. If other than 3, use Up or Down Arrow and accept 3	Accepts and saves new parameter setting.	Sequences to next parameter.

**Set Control Signal**

The unit is factory set for 0-10 V control signal. If 4-20 mA control signal is required, change parameter 4.

**Parameter Number 4 – Set Control Signal in Volts or Milliamps**

Step	1	2	3	4	5	
<b>Press</b> 	 3-6 seconds	 or 		 or 		
<b>Until Display Reads</b>			 Flashing Decimal	 Flashing Decimal	 Flashing	
<b>Description</b>	Accesses changeable parameters.	Accesses parameter no. 4.	Displays current parameter value. 1 = V 0 = mA	Edits parameter.	Accepts and saves new parameter setting.	Sequences to next parameter.

How to Videos at [www.parker.com/pneu/propreg](http://www.parker.com/pneu/propreg)

**B**  
 Global Air Preparation  
 Introduction  
 Filters  
 Coalescers  
 Regulators  
 Filter / Regulators  
 Lubricators  
 Combinations  
 Accessories and Kits



For inventory, lead times, and kit lookup, visit [www.pdnplu.com](http://www.pdnplu.com)



**Set Output Signal**

Parameter 6 is used to set the type of output signal to your PLC.  
 This parameter is used as follows:

Output Signal option “0” = Digital Output – PNP

- Factory set at “0” Non Adjustable

Output Signal option “P” = Digital PNP or Analog 1-10V

- Factory set at “1” for Analog Signal
- Convert to Digital PNP by changing parameter to “0” setting



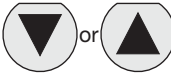

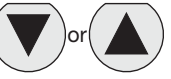







Output Signal option “N” = Digital NPN or Analog 1-10V

- Factory set at “1” Analog Signal
- Convert to Digital NPN by changing parameter to “0”

Output Signal option “M” = Analog 4-20 mA

- Factory set at “2” Non Adjustable

**Parameter Number 6 – Set Output Signal**

Step	1	2	3	4	5	
<b>Press</b> 	 3-6 seconds					
<b>Until Display Reads</b>			 Flashing Decimal	 Flashing Decimal (Value 0, 1 or 2)	 Flashing	
<b>Description</b>	Accesses changeable parameters.	Accesses parameter no. 6.	Displays current parameter value. 1 = m factory default for P3H with analog options	Edits parameter. 0 = digital (NPN or PNP) 1 = analog 0..10V 2 = analog 4..20 mA	Accepts and saves new parameter setting.	Sequences to next parameter.





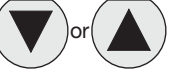







**Adjust Span Analog Output Signal**

Set value is a % of Full Analog range. As an example for a 0-10V output signal, the original factory setting of 100% will give you an adjustment of 0-10V. If you reset Parameter 8 to 50%, the new output range would be 0-5V or 50% of the full range.

In the event that the output signal is to low, in a certain application, you can adjust it by increasing Parameter 8 to a maximum value of 130% of scale.

Note that all values are nominal and that an actual measurement may be required to ensure signal strength.

**Parameter Number 8 – Adjust Span Analog Output Signal**

Step	1	2	3	4	5	
<b>Press</b> 	 3-6 seconds					
<b>Until Display Reads</b>			 Flashing Decimal (For 2 bar versions value = 92)	 Flashing Decimal (Value between 0 and 130)	 Flashing	
<b>Description</b>	Accesses changeable parameters.	Accesses parameter no. 8.	Displays current parameter value.	Edits parameter.	Accepts and saves new parameter setting and implements the new analog signal span.	Sequences to next parameter.

How to Videos at [www.parker.com/pneu/propreg](http://www.parker.com/pneu/propreg)



For inventory, lead time, and kit lookup, visit [www.pdnplu.com](http://www.pdnplu.com)

**B**

Global Air Preparation

Introduction

Filters

Coalescers

Regulators

Filter/Regulators

Lubricators



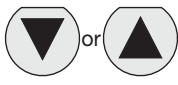

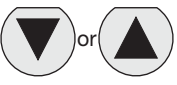







Combinations

Accessories and Kits

**Adjust Digital Display**

If necessary, adjustments can be made to the digital display when using an external pressure sensor.



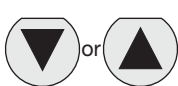

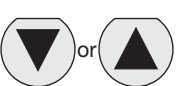







**Parameter Number 9 – Adjust Digital Display Value (Pressure Calibration)**

Step	1	2	3	4	5	
<b>Press</b> 	 3-6 seconds					
<b>Until Display Reads</b>			 Flashing Decimal	 Flashing Decimal	 Flashing	
<b>Description</b>	Accesses changeable parameters.	Accesses parameter no. 9.	Displays current digital display	Use up or down arrows and accept to adjust the display value if using an external pressure sensor.	Accepts and saves new parameter setting.	Sequences to next parameter.

**Set Pressure Scale**

Units with NPT port threads are supplied with a factory set psig pressure scale. Use parameter 14 to change scale to bar.

**Parameter Number 14 – Set Pressure Scale in psig or bar**

Step	1	2	3	4	5	
<b>Press</b> 	 3-6 seconds					
<b>Until Display Reads</b>			 Flashing Decimal	 Flashing Decimal	 Flashing	
<b>Description</b>	Accesses changeable parameters.	Accesses parameter no. 14.	Displays current parameter value. 1 = psig 0 = bar 2 = MPa	Edits parameter.	Accepts and saves new parameter setting.	Sequences to next parameter.

How to Videos at [www.parker.com/pneu/propreg](http://www.parker.com/pneu/propreg)





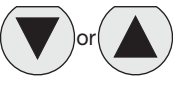

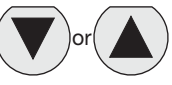

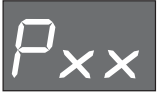
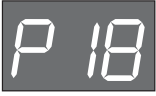



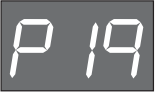
For inventory, lead times, and kit lookup, visit [www.pdnplu.com](http://www.pdnplu.com)

**B**  
Global Air Preparation  
Introduction  
Filters  
Coalescers  
Regulators  
Filter / Regulators  
Lubricators  
Combinations  
Accessories and Kits

**Preset Minimum Pressure**

If there is a need for a pre-set Minimum pressure, use parameter 18. (Note: preset pressure is affected by % P19.)

**Parameter Number 18 – Set Minimum Preset Pressure**

Step	1	2	3	4	5	
<b>Press</b> 	 3-6 seconds					
<b>Until Display Reads</b>			 Flashing Decimal	 Flashing Decimal (value between 0 and 200)	 Flashing	
<b>Description</b>	Accesses changeable parameters.	Accesses parameter no. 18.	Displays current parameter value. Incremental value is: <u>2 bar unit:</u> x 2 mbar x % P19  <u>10 bar unit:</u> x 10 mbar x % P19	Edits parameter.	Accepts and saves new parameter setting.	Sequences to next parameter.

**Set Pressure Correction**



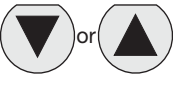

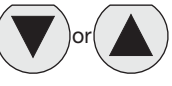







Pressure correction allows the user to set a Maximum pressure as a percentage of secondary pressure F.S.

**Example:** If F.S. is 10 bar, set parameter 19 to 50 for Maximum preset pressure of 5 bar.

Pressure correction also affects the Minimum preset pressure in parameter 18.

**Example:** If F.S. is 10 bar and parameter 18 is set to a value of 100 (1 bar), and parameter 19 is set to 50%, then the actual Minimum preset pressure seen is 0.5 bar.

**Parameter Number 19 – Set Maximum Preset Pressure**

Step	1	2	3	4	5	
<b>Press</b> 	 3-6 seconds					
<b>Until Display Reads</b>			 Flashing Decimal	 Flashing Decimal (value between 0 and 100)	 Flashing	
<b>Description</b>	Accesses changeable parameters.	Accesses parameter no. 19.	Displays current parameter value. Incremental value is: % of F.S.	Edits parameter.	Accepts and saves new parameter setting.	Sequences to next parameter.

How to Videos at [www.parker.com/pneu/propreg](http://www.parker.com/pneu/propreg)





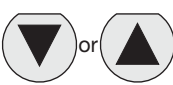

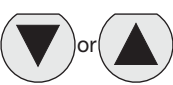







For inventory, lead time, and kit lookup, visit [www.pdnplu.com](http://www.pdnplu.com)

<b>B</b>
Global Air Preparation
Introduction
Filters
Coalescers
Regulators
Filter/Regulators
Lubricators
Combinations
Accessories and Kits

**Behavior Control**

The regulation speed of the pressure regulator can be modified by means of one parameter. (P 20)  
The value in this parameter has a range from 0-5. A higher value indicates slower regulation speed, but will be more stable.

**Parameter Number 20 – Set Behavior Control**



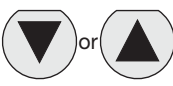

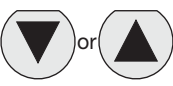







Step	1	2	3	4	5	
<b>Press</b> 	 3-6 seconds					
<b>Until Display Reads</b>			 Flashing Decimal	 Flashing Decimal (value between 0 and 5)	 Flashing	
<b>Description</b>	Accesses changeable parameters.	Accesses parameter no. 20.	Displays current parameter value.	Edits parameter 0 = custom set* 1 = fastest (narrow proportional band) 2 = fast 3 = normal 4 = slow 5 = slowest (proportional band is broad)	Accepts and saves new parameter setting.	Sequences to next parameter.

\* When the value 0 is entered, you are able to create your own custom settings true parameters 12, 13 and 21.

**Fine Settings  
Set Proportional Band**

Proportional band is used for setting the reaction sensitivity of the regulator. The displayed value is X 10 mbar and has a range between 50 (0.5 bar) and 250 (2.5 bar).

**Parameter Number 12 – Set Proportional Band (P20 Must be Set to 0)**

Step	1	2	3	4	5	
<b>Press</b> 	 3-6 seconds					
<b>Until Display Reads</b>			 Flashing Decimal	 Flashing Decimal (value between 50 and 250)	 Flashing	
<b>Description</b>	Accesses changeable parameters.	Accesses parameter no. 12.	Displays current parameter value. Incremental value is: x 10 mbar	Edits parameter.	Accepts and saves new parameter setting.	Sequences to next parameter.

How to Videos at [www.parker.com/pneu/propreg](http://www.parker.com/pneu/propreg)

**B**

Global Air Preparation

Introduction

Filters

Coalescers

Regulators

Filter / Regulators

Lubricators

Combinations

Accessories and Kits



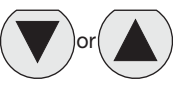

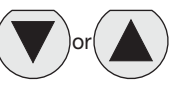









For inventory, lead times, and kit lookup, visit [www.pdnplu.com](http://www.pdnplu.com)

**Set Deadband**



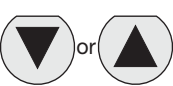

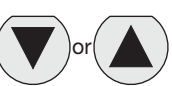







Deadband is the Minimum limit of accuracy at which the regulator is set for normal operation. The displayed value is X 10 mbar and has a range between 4 (40 mbar) and 40 (400 mbar).

**Parameter Number 13 – Set Deadband (P20 Must be Set to 0)**



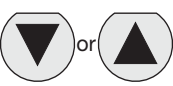




Step	1	2	3	4	5	
<b>Press</b> 	 3-6 seconds					
<b>Until Display Reads</b>			 Flashing Decimal	 Flashing Decimal (value between 4 and 40)	 Flashing	
<b>Description</b>	Accesses changeable parameters.	Accesses parameter no. 13.	Displays current parameter value. Incremental value is x 10 mbar	Edits parameter.	Accepts and saves new parameter setting.	Sequences to next parameter.

**Proportional Effect**

**Parameter Number 21 – Set Proportional Effect (P20 Must be Set to 0)**

Step	1	2	3	4	5	
<b>Press</b> 	 3-6 seconds					
<b>Until Display Reads</b>			 Flashing Decimal	 Flashing Decimal (value between 5 and 100)	 Flashing	
<b>Description</b>	Accesses changeable parameters.	Accesses parameter no. 21.	Displays current parameter value.	Edits parameter. 5 = fastest regulation 100 = slowest regulation.	Accepts and saves new parameter setting.	Sequences to next parameter.

**Parameter Number 39 – Displays Current Software Version**

Step	1	2	3	
<b>Press</b> 	 3-6 seconds			
<b>Until Display Reads</b>			 Flashing Decimal	
<b>Description</b>	Accesses changeable parameters.	Accesses parameter no. 39.	Displays current parameter value. XXX = current software version	

How to Videos at [www.parker.com/pneu/propreg](http://www.parker.com/pneu/propreg)

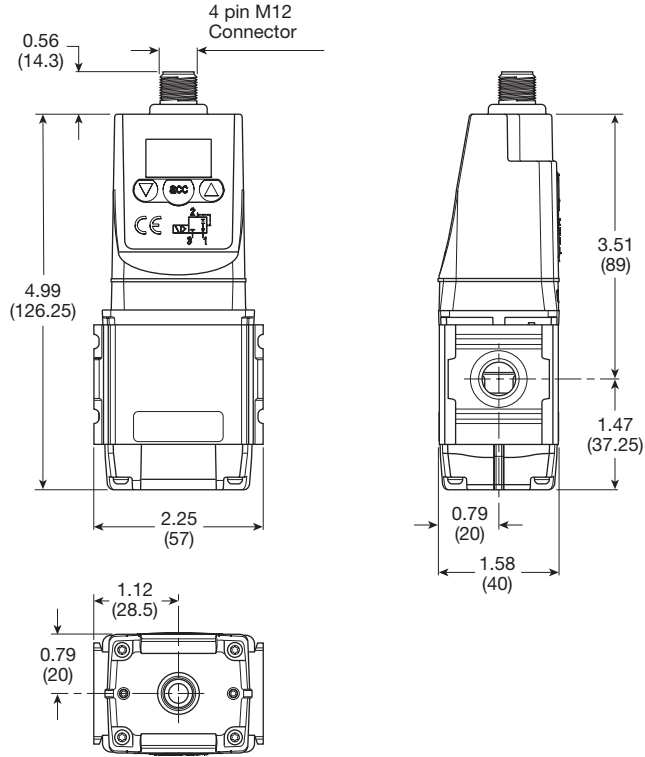


For inventory, lead time, and kit lookup, visit [www.pdnplu.com](http://www.pdnplu.com)

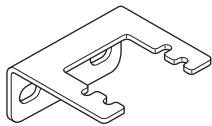
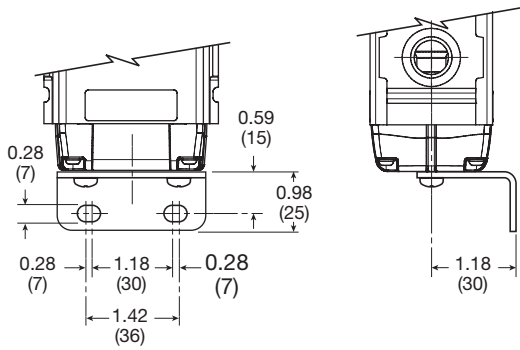
<b>B</b>
Global Air Preparation
Introduction
Filters
Coalescers
Regulators
Filter/Regulators
Lubricators
Combinations
Accessories and Kits

**P31P**

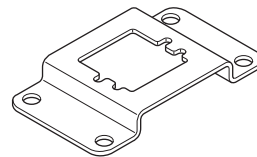
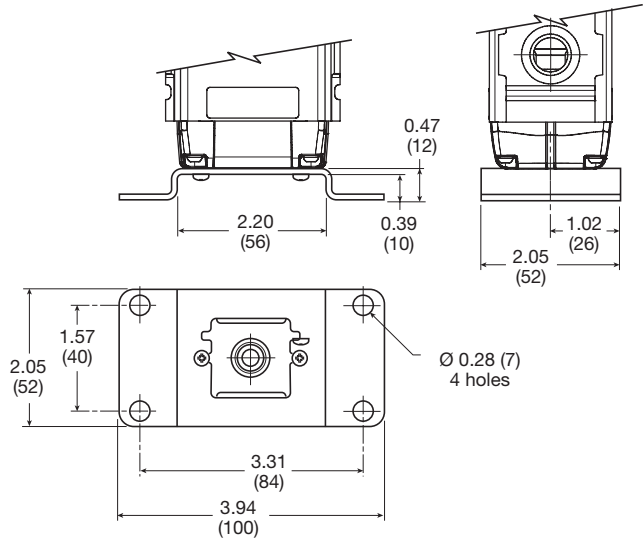
Dimensions inches (mm)



**L-Bracket**  
**P3HKA00ML**



**Foot Bracket**  
**P3HKA00MC**



**Cables**

Description	Part number
2 mtr. cable with moulded straight M12x1 connector	<b>CB-M12-4P-2M</b>

Most popular.

<b>B</b>
Global Air Preparation
Introduction
Filters
Coalescers
Regulators
Filter / Regulators
Lubricators
Combinations
Accessories and Kits



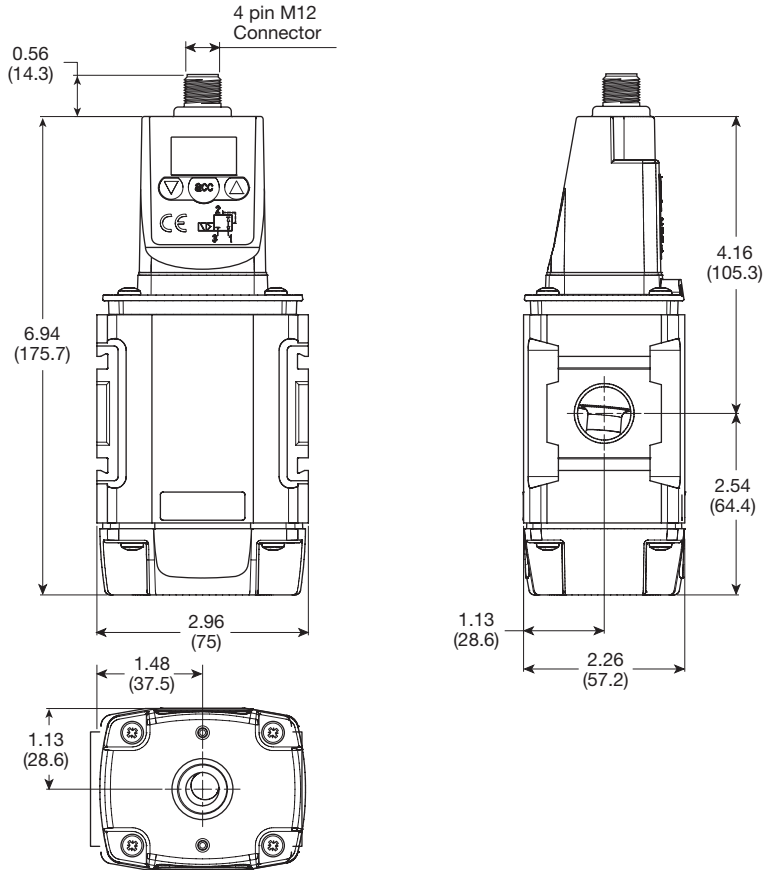
For inventory, lead times, and kit lookup, visit [www.pdnplu.com](http://www.pdnplu.com)

B40

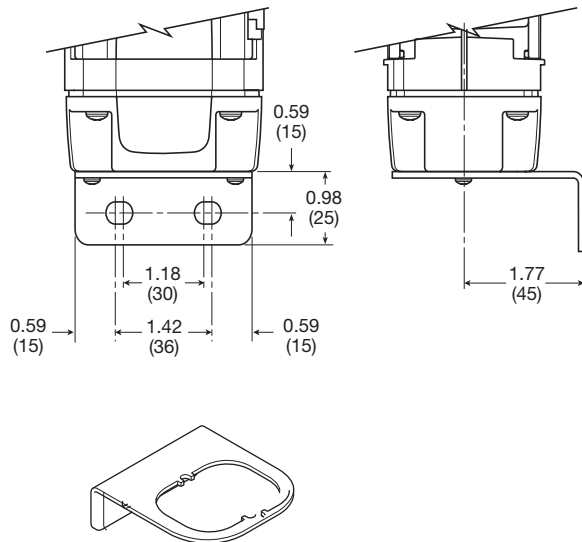
**Parker Hannifin Corporation**  
 Pneumatic Division  
 Richland, Michigan  
[www.parker.com/pneumatics](http://www.parker.com/pneumatics)

**P32P**

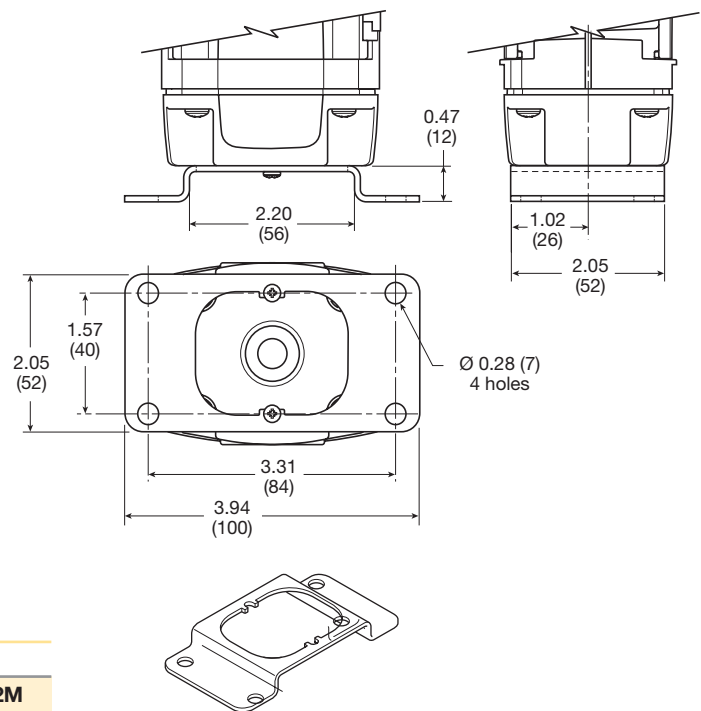
Dimensions inches (mm)



**L-Bracket**  
**P3KKA00ML**



**Foot Bracket**  
**P3KKA00MC**



**Cables**

Description	Part number
2 mtr. cable with moulded straight M12x1 connector	<b>CB-M12-4P-2M</b>

Most popular.



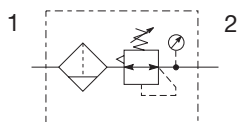
For inventory, lead time, and kit lookup, visit [www.pdnplu.com](http://www.pdnplu.com)

B41

**Parker Hannifin Corporation**  
 Pneumatic Division  
 Richland, Michigan  
[www.parker.com/pneumatics](http://www.parker.com/pneumatics)

## P31 Filter / Regulators – Mini

- Integral 1/4" ports (NPT, BSPP & BSPT)
- High efficiency 5 micron element as standard
- Excellent water removal efficiency
- Robust but lightweight aluminum construction
- Positive bayonet latch to ensure correct & safe fitting
- Secondary pressure ranges
- Secondary aspiration plus balanced poppet provides quick response and accurate pressure regulation



Port size	Description (relieving)	Bowl / drain type †	Part number
1/4"	125 psig (8 bar)	Poly / manual	<b>P31EB92EGMBN5P</b>
1/4"	125 psig (8 bar)	Poly / pulse	<b>P31EB92EGBBN5P</b>
1/4"	125 psig (8 bar)	Metal / manual	<b>P31EB92EMMBN5P</b>
1/4"	125 psig (8 bar)	Metal / pulse	<b>P31EB92EMBBN5P</b>

† For polycarbonate bowl, see caution in Engineering Section A.

### Operating information

Flow capacity*:	1/4	73 scfm (35 dm <sup>3</sup> /s, ANR)
Operating temperature†:	Plastic bowl	14°F to 125°F (-10°C to 52°C)
	Metal bowl	14°F to 150°F (-10°C to 65.5°C)
Supply pressure (max):	Plastic bowl	150 psig (10 bar)
	Metal bowl	250 psig (17 bar)
Standard filtration		5 micron
Useful retention†:		0.4 US oz. (12 cm <sup>3</sup> )
Adjusting range pressure:		0 to 30 psig (0 to 2 bar)
		0 to 60 psig (0 to 4 bar)
		0 to 125 psig (0 to 8 bar)
		0 to 250 psig (0 to 17 bar)
Gauge port (2 each)**:		1/8 NPT, BSPP, BSPT
Weight:		0.42 lb (0.19 kg)

\* Inlet pressure 145 psig (10 bar). Secondary pressure 91.3 psig (6.3 bar) and 14.5 psig (1 bar) pressure drop.

\*\* Non-gauge option only.

† Units with square gauges: 5°F to 150°F (-15°C to 65.5°C)

‡ Useful retention refers to volume below the quiet zone baffle.

Air quality: Within ISO 8573-1: 1991 Class 3 (Particulates)  
 Within ISO 8573-1: 2001 Class 6 (Particulates)

### Ordering Information:

**P31EB 9 2 E G M B N 5 P**

<b>Basic series</b> Global modular mini filter / regulator P31EB	<b>Thread type</b> BSPP 1 BSPT 2 NPT 9	<b>Element</b> 5µ Element E	<b>Port size</b> 1/4 2	<b>Bowl type</b> Poly bowl with bowl guard G Metal bowl without sight gauge M	<b>Drain type</b> Pulse drain B Manual drain M Flex drain X	<b>Adjustment</b> N Non-rising knob	<b>Relief</b> B Relieving N Non-relieving	<b>Mounting</b> p Plastic panel mount nut																																												
						<table border="1"> <thead> <tr> <th colspan="2">With square gauge</th> <th colspan="2">Adjustment range</th> </tr> <tr> <th>psig</th> <th>bar</th> <th colspan="2">With round gauge</th> </tr> </thead> <tbody> <tr> <td>1 = 30*</td> <td>V = 2*</td> <td>Z</td> <td>30 psig; 2 bar; 0.2 MPa</td> </tr> <tr> <td>3 = 60</td> <td>S = 4</td> <td>M</td> <td>60 psig; 4 bar; 0.4 MPa</td> </tr> <tr> <td>5 = 125</td> <td>T = 8</td> <td>G</td> <td>125 psig; 8 bar; 0.8 MPa</td> </tr> <tr> <td colspan="2"></td> <td>J<sup>§</sup></td> <td>232 psig; 16 bar; 1.6 MPa</td> </tr> <tr> <td colspan="4" style="text-align: center;"><b>Without gauge</b></td> </tr> <tr> <td colspan="2"></td> <td>Y</td> <td>30 psig; 2 bar; 0.2 MPa</td> </tr> <tr> <td colspan="2"></td> <td>L</td> <td>60 psig; 4 bar; 0.4 MPa</td> </tr> <tr> <td colspan="2"></td> <td>N</td> <td>125 psig; 8 bar; 0.8 MPa</td> </tr> <tr> <td colspan="2"></td> <td>H<sup>§</sup></td> <td>232 psig; 16 bar; 1.6 MPa</td> </tr> </tbody> </table>			With square gauge		Adjustment range		psig	bar	With round gauge		1 = 30*	V = 2*	Z	30 psig; 2 bar; 0.2 MPa	3 = 60	S = 4	M	60 psig; 4 bar; 0.4 MPa	5 = 125	T = 8	G	125 psig; 8 bar; 0.8 MPa			J <sup>§</sup>	232 psig; 16 bar; 1.6 MPa	<b>Without gauge</b>						Y	30 psig; 2 bar; 0.2 MPa			L	60 psig; 4 bar; 0.4 MPa			N	125 psig; 8 bar; 0.8 MPa			H <sup>§</sup>	232 psig; 16 bar; 1.6 MPa
With square gauge		Adjustment range																																																		
psig	bar	With round gauge																																																		
1 = 30*	V = 2*	Z	30 psig; 2 bar; 0.2 MPa																																																	
3 = 60	S = 4	M	60 psig; 4 bar; 0.4 MPa																																																	
5 = 125	T = 8	G	125 psig; 8 bar; 0.8 MPa																																																	
		J <sup>§</sup>	232 psig; 16 bar; 1.6 MPa																																																	
<b>Without gauge</b>																																																				
		Y	30 psig; 2 bar; 0.2 MPa																																																	
		L	60 psig; 4 bar; 0.4 MPa																																																	
		N	125 psig; 8 bar; 0.8 MPa																																																	
		H <sup>§</sup>	232 psig; 16 bar; 1.6 MPa																																																	

\* Regulator comes with gauge respective to the adjustment range selected.  
 § Not available with poly bowl with bowl guard.

Most popular.



For inventory, lead times, and kit lookup, visit [www.pdnplu.com](http://www.pdnplu.com)

B42

**Parker Hannifin Corporation**  
 Pneumatic Division  
 Richland, Michigan  
[www.parker.com/pneumatics](http://www.parker.com/pneumatics)



**Material Specifications**

Body	Aluminum
Adjustment knob	Acetal
Body cap	ABS
Bonnet	PBT
Plastic bowl	Polycarbonate
Metal bowl	Aluminum
Bowl guard	Nylon
Filter element	Polyethylene
Seals	Nitrile
Springs	Steel
Valve assembly	Brass / Nitrile
Diaphragm assembly	Brass / Nitrile
Panel nut	Acetal

**⚠ WARNING**

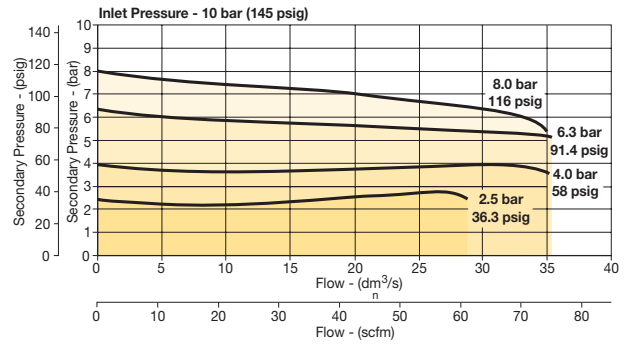
**Product rupture can cause serious injury.  
 Do not connect regulator to bottled gas.  
 Do not exceed Maximum primary pressure rating.**

**CAUTION:**

**REGULATOR PRESSURE ADJUSTMENT** – The working range of knob adjustment is designed to permit outlet pressures within their full range. Pressure adjustment beyond this range is also possible because the knob is not a limiting device. This is a common characteristic of most industrial regulators, and limiting devices may be obtained only by special design. For best performance, regulated pressure should always be set by increasing the pressure up to the desired setting.

**Flow Charts**

**P31EB 1/4" Filter / Regulator**



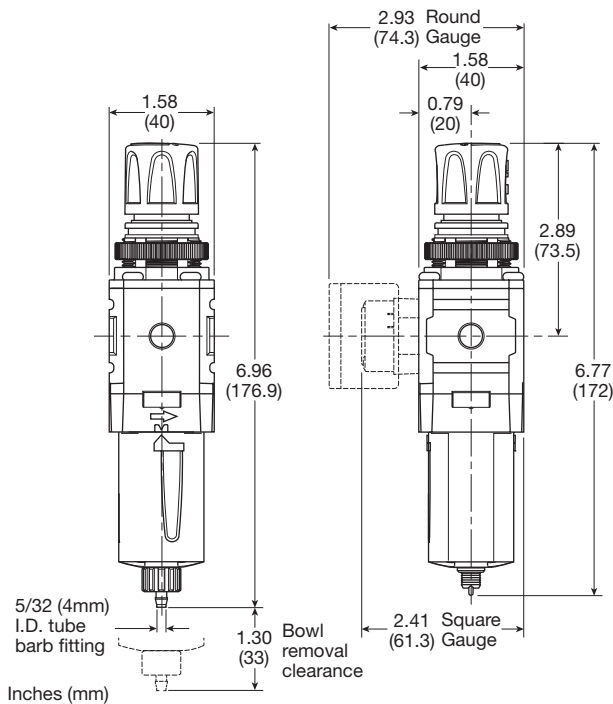
**Repair and Service Kits**

Plastic bowl / bowl guard manual drain	<b>P31KB00BGM</b>
Plastic bowl / bowl guard pulse drain	<b>P31KB00BGB</b>
Metal bowl / w/o sight gauge pulse drain	<b>P31KB00BMB</b>
5µ particle filter element	<b>P31KA00ESE</b>
Diaphragm repair kit - relieving	<b>P31KB00RB</b>
Diaphragm repair kit - non-relieving	<b>P31KB00RC</b>
Panel mount nut - aluminum	<b>P31KA00MM</b>
Panel mount nut - plastic	<b>P31KA00MP</b>
Angle bracket (attaches via panel nut)	<b>P31KB00MR</b>
C-bracket (fits to body)	<b>P31KA00MW</b>
T-bracket with body connector	<b>P31KA00MT</b>
Body connector	<b>P31KA00CB</b>

**Gauges**

Square flush mount gauge	0-4 bar	<b>K4511SCR04B</b>
	0-11 bar	<b>K4511SCR11B</b>
	0-60 psig	<b>K4511SCR060</b>
	0-160 psig	<b>K4511SCR160</b>

For best performance, regulated pressure should always be set by increasing the pressure up to the desired setting.



**Manual Drain**

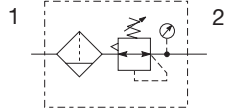
**Pulse Drain**



For inventory, lead time, and kit lookup, visit [www.pdnplu.com](http://www.pdnplu.com)

**P32 Filter / Regulators – Compact**

- Integral 1/4", 3/8" or 1/2" ports (NPT, BSPP & BSPT)
- High efficiency 5 micron element as standard
- Excellent water removal efficiency
- Robust but lightweight aluminum construction
- Positive bayonet latch to ensure correct & safe fitting
- Secondary pressure ranges
- Secondary aspiration plus balanced poppet provides quick response and accurate pressure regulation



Port size	Description (relieving)	Bowl / drain type †	Part number
1/4"	125 psig (8 bar)	Poly / manual	<b>P32EB92EGMBNGP</b>
1/4"	125 psig (8 bar)	Poly / auto	<b>P32EB92EGABNGP</b>
1/4"	125 psig (8 bar)	Metal / manual	<b>P32EB92ESMBNGP</b>
1/4"	125 psig (8 bar)	Metal / auto	<b>P32EB92ESABNGP</b>
3/8"	125 psig (8 bar)	Poly / manual	<b>P32EB93EGMBNGP</b>
3/8"	125 psig (8 bar)	Poly / auto	<b>P32EB93EGABNGP</b>
3/8"	125 psig (8 bar)	Metal / manual	<b>P32EB93ESMBNGP</b>
3/8"	125 psig (8 bar)	Metal / auto	<b>P32EB93ESABNGP</b>
1/2"	125 psig (8 bar)	Poly / manual	<b>P32EB94EGMBNGP</b>
1/2"	125 psig (8 bar)	Poly / auto	<b>P32EB94EGABNGP</b>
1/2"	125 psig (8 bar)	Metal / manual	<b>P32EB94ESMBNGP</b>
1/2"	125 psig (8 bar)	Metal / auto	<b>P32EB94ESABNGP</b>

† For polycarbonate bowl, see caution in Engineering Section A.

**Operating information**

Flow capacity*:	1/4	148 scfm (70 dm <sup>3</sup> /s, ANR)
	3/8	158 scfm (75 dm <sup>3</sup> /s, ANR)
	1/2	164 scfm (77 dm <sup>3</sup> /s, ANR)
Operating temperature:		
Plastic bowl		-13°F to 125°F (-25°C to 52°C)
Metal bowl		-13°F to 150°F (-25°C to 65.5°C)
Supply pressure (max):		
Plastic bowl		150 psig (10 bar)
Metal bowl		250 psig (17 bar)
Standard filtration:		5 micron
Useful retention†:		1.7 US oz. (51 cm <sup>3</sup> )
Adjusting range pressure:		0 to 30 psig (0 to 2 bar) 0 to 60 psig (0 to 4 bar) 0 to 125 psig (0 to 8 bar) 0 to 250 psig (0 to 17 bar)
Gauge port (2 each):		1/4 NPT, BSPP, BSPT
Weight:		1.17 lb (0.53 kg)

\* Inlet pressure 145 psig (10 bar). Secondary pressure 91.3 psig (6.3 bar) and 14.5 psig (1 bar) pressure drop.

† Useful retention refers to volume below the quiet zone baffle.

Air quality: Within ISO 8573-1: 1991 Class 3 (Particulates)  
Within ISO 8573-1: 2001 Class 6 (Particulates)

**Ordering Information:**

<b>P32EB</b>	<b>9</b>	<b>2</b>	<b>E</b>	<b>G</b>	<b>M</b>	<b>B</b>	<b>N</b>	<b>5</b>	<b>P</b>																																												
<b>Basic series</b> Global modular compact filter / regulator P32EB	<b>Thread type</b> BSPP 1 BSPT 2 NPT 9	<b>Port size</b> 1/4 2 3/8 3 1/2 4	<b>Element</b> 5µ Element E	<b>Bowl type</b> Poly bowl with bowl guard G Metal bowl without sight gauge M Metal bowl with sight gauge S	<b>Drain type</b> Manual drain M Auto drain A Flex drain X	<b>Adjustment</b> N Non-rising knob T T-Handle	<b>Relief</b> B Relieving N Non-relieving	<b>Adjustment range</b>	<b>Mounting</b> P Plastic panel mount nut																																												
								<table border="1"> <thead> <tr> <th colspan="2">With square gauge</th> <th colspan="2">With round gauge</th> </tr> <tr> <th>psig</th> <th>bar</th> <th>Z</th> <th>With round gauge</th> </tr> </thead> <tbody> <tr> <td>1 = 30*</td> <td>V = 2*</td> <td>M</td> <td>30 psig; 2 bar; 0.2 MPa</td> </tr> <tr> <td>3 = 60</td> <td>S = 4</td> <td>G</td> <td>60 psig; 4 bar; 0.4 MPa</td> </tr> <tr> <td>5 = 125</td> <td>T = 8</td> <td>J<sup>§</sup></td> <td>125 psig; 8 bar; 0.8 MPa</td> </tr> <tr> <td></td> <td></td> <td></td> <td>250 psig; 17 bar; 1.7 MPa</td> </tr> <tr> <th colspan="4">Without gauge</th> </tr> <tr> <td></td> <td></td> <td>Y</td> <td>30 psig; 2 bar; 0.2 MPa</td> </tr> <tr> <td></td> <td></td> <td>L</td> <td>60 psig; 4 bar; 0.4 MPa</td> </tr> <tr> <td></td> <td></td> <td>N</td> <td>125 psig; 8 bar; 0.8 MPa</td> </tr> <tr> <td></td> <td></td> <td>H<sup>§</sup></td> <td>250 psig; 17 bar; 1.7 MPa</td> </tr> </tbody> </table>	With square gauge		With round gauge		psig	bar	Z	With round gauge	1 = 30*	V = 2*	M	30 psig; 2 bar; 0.2 MPa	3 = 60	S = 4	G	60 psig; 4 bar; 0.4 MPa	5 = 125	T = 8	J <sup>§</sup>	125 psig; 8 bar; 0.8 MPa				250 psig; 17 bar; 1.7 MPa	Without gauge						Y	30 psig; 2 bar; 0.2 MPa			L	60 psig; 4 bar; 0.4 MPa			N	125 psig; 8 bar; 0.8 MPa			H <sup>§</sup>	250 psig; 17 bar; 1.7 MPa	
With square gauge		With round gauge																																																			
psig	bar	Z	With round gauge																																																		
1 = 30*	V = 2*	M	30 psig; 2 bar; 0.2 MPa																																																		
3 = 60	S = 4	G	60 psig; 4 bar; 0.4 MPa																																																		
5 = 125	T = 8	J <sup>§</sup>	125 psig; 8 bar; 0.8 MPa																																																		
			250 psig; 17 bar; 1.7 MPa																																																		
Without gauge																																																					
		Y	30 psig; 2 bar; 0.2 MPa																																																		
		L	60 psig; 4 bar; 0.4 MPa																																																		
		N	125 psig; 8 bar; 0.8 MPa																																																		
		H <sup>§</sup>	250 psig; 17 bar; 1.7 MPa																																																		

Most popular.

\* Regulator comes with gauge respective to the adjustment range selected.  
§ Not available with poly bowl with bowl guard.

Global Air Preparation

Introduction

Filters

Coalescers

Regulators

Filter / Regulators

Lubricators

Combinations

Accessories and Kits



For inventory, lead times, and kit lookup, visit [www.pdnplu.com](http://www.pdnplu.com)

# Compact Filter / Regulators

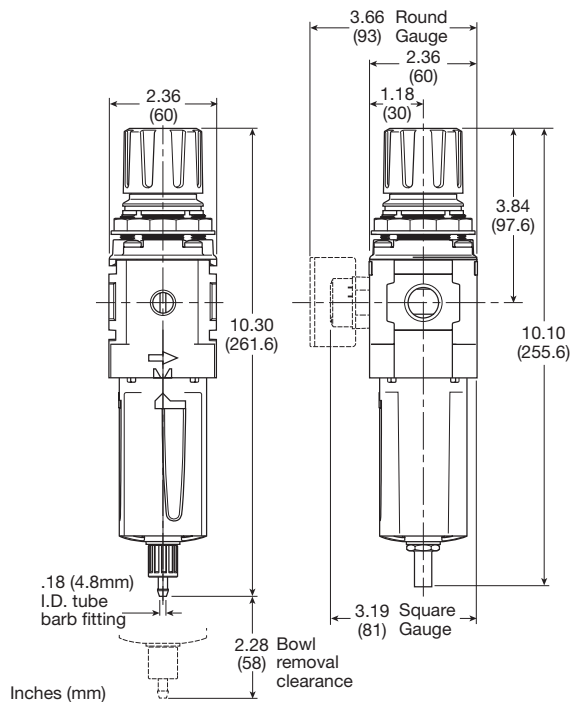
# Air Preparation Products Global Air Preparation

## Material Specifications

Body	Aluminum
Adjustment knob	Acetal
Element retainer / baffle	Acetal
Plastic bowl	Polycarbonate
Metal bowl	Aluminum
Bowl guard	Nylon
Filter element	Sintered polyethylene
Seals	Nitrile
Springs	Steel, stainless steel
Valve assembly	Brass / nitrile
Diaphragm assembly	Nitrile / zinc
Panel nut	Acetal
Sight gauge	Nylon

## Repair and Service Kits

Plastic bowl / bowl guard manual drain	<b>P32KB00BGM</b>
Metal bowl / sight gauge manual drain	<b>P32KB00BSM</b>
Auto drain	<b>P32KA00DA</b>
5µ particle filter element	<b>P32KA00ESE</b>
Diaphragm repair kit - relieving	<b>P32KB00RB</b>
Diaphragm repair kit - non-relieving	<b>P32KB00RC</b>
Panel mount nut - aluminum	<b>P32KA00MM</b>
Panel mount nut - plastic	<b>P32KA00MP</b>
Angle bracket (fits to panel mount threads)	<b>P32KB00MR</b>
T-bracket (fits to body connector)	<b>P32KA00MB</b>
T-bracket with body connector	<b>P32KA00MT</b>
Body connector	<b>P32KA00CB</b>

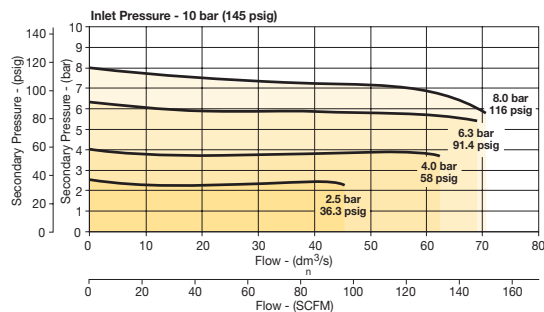


Manual Drain

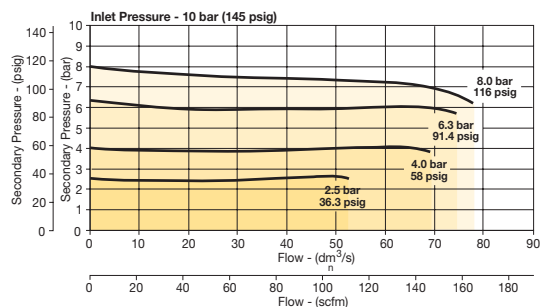
Automatic Drain

## Flow Charts

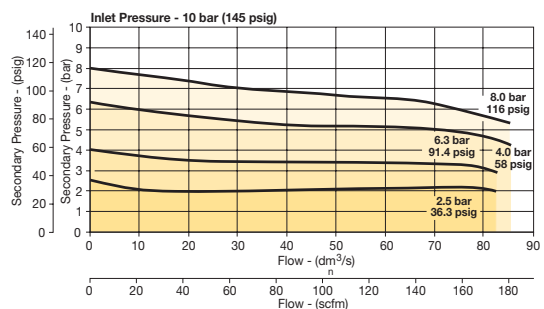
### P32EB 1/4" Filter / Regulator



### P32EB3/8" Filter/Regulator



### P32EB 1/2" Filter/Regulator



**⚠ WARNING**

**Product rupture can cause serious injury.  
Do not connect regulator to bottled gas.  
Do not exceed Maximum primary pressure rating.**

**CAUTION:**  
**REGULATOR PRESSURE ADJUSTMENT** – The working range of knob adjustment is designed to permit outlet pressures within their full range. Pressure adjustment beyond this range is also possible because the knob is not a limiting device. This is a common characteristic of most industrial regulators, and limiting devices may be obtained only by special design. For best performance, regulated pressure should always be set by increasing the pressure up to the desired setting.

## Gauges

50mm (2") round	0-30 psig / 0-2 bar	<b>K4520N14030</b>
1/4" center back mount	0-60 psig / 0-4 bar	<b>K4520N14060</b>
	0-160 psig / 0-11 bar	<b>K4520N14160</b>
	0-300 psig / 0-20 bar	<b>K4520N14300</b>

For best performance, regulated pressure should always be set by increasing the pressure up to the desired setting.

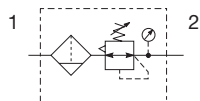


For inventory, lead time, and kit lookup, visit [www.pdnplu.com](http://www.pdnplu.com)

B	Global Air Preparation
Introduction	
Filters	
Coalescers	
Regulators	
Filter / Regulators	
Lubricators	
Combinations	
Accessories and Kits	

## P32 Semi-Precision Filter / Regulators – Compact

- Integral 1/4", 3/8" or 1/2" ports (NPT, BSPP & BSPT)
- High efficiency 5 micron element as standard
- Excellent water removal efficiency
- Robust but lightweight aluminum construction
- Positive bayonet latch to ensure correct & safe fitting
- Secondary pressure ranges
- Secondary aspiration plus balanced poppet provides quick response and accurate pressure regulation



Port size	Description / relieving	Bowl / drain type †	Part number
1/4"	125 psig (8 bar)	Poly / manual	<b>P32EB92EGMPNGP</b>
1/4"	125 psig (8 bar)	Poly / auto	<b>P32EB92EGAPNGP</b>
1/4"	125 psig (8 bar)	Metal / manual	<b>P32EB92ESMPNGP</b>
1/4"	125 psig (8 bar)	Metal / auto	<b>P32EB92ESAPNGP</b>
3/8"	125 psig (8 bar)	Poly / manual	<b>P32EB93EGMPNGP</b>
3/8"	125 psig (8 bar)	Poly / auto	<b>P32EB93EGAPNGP</b>
3/8"	125 psig (8 bar)	Metal / manual	<b>P32EB93ESMPNGP</b>
3/8"	125 psig (8 bar)	Metal / auto	<b>P32EB93ESAPNGP</b>
1/2"	125 psig (8 bar)	Poly / manual	<b>P32EB94EGMPNGP</b>
1/2"	125 psig (8 bar)	Poly / auto	<b>P32EB94EGAPNGP</b>
1/2"	125 psig (8 bar)	Metal / manual	<b>P32EB94ESMPNGP</b>
1/2"	125 psig (8 bar)	Metal / auto	<b>P32EB94ESAPNGP</b>

† For polycarbonate bowl, see caution in Engineering Section A.

### Operating information

Flow capacity*: 1/4, 3/8, 1/2	75 scfm (35 dm <sup>3</sup> /s, ANR)
Effect of supply pressure variation	0.6 psig (0.04 bar) for 25 psig (1.7 bar) change in P1
Operating temperature:	
Plastic bowl	-13°F to 125°F (-25°C to 52°C)
Metal bowl	-13°F to 150°F (-25°C to 65.5°C)
Supply pressure (max):	
Plastic bowl	150 psig (10 bar)
Metal bowl	250 psig (17 bar)
Standard filtration:	5 micron
Useful retention <sup>†</sup> :	1.7 US oz. (51 cm <sup>3</sup> )
Adjusting range pressure:	0 to 30 psig (0 to 2 bar) 0 to 60 psig (0 to 4 bar) 0 to 125 psig (0 to 8 bar) 0 to 250 psig (0 to 17 bar)
Gauge port (2 each):	1/4 NPT, BSPP, BSPT
Weight:	0.53 lb (1.17 kg)

\* Inlet pressure 145 psig (10 bar). Secondary pressure 91.3 psig (6.3 bar) and 14.5 psig (1 bar) pressure drop.

† Useful retention refers to volume below the quiet zone baffle.

Air quality: Within ISO 8573-1: 1991 Class 3 (Particulates)  
Within ISO 8573-1: 2001 Class 6 (Particulates)

### Ordering Information:

P32EB		9	2	E	G	M	P	N	G	P																																					
<b>Basic series</b>	Global modular compact filter / regulator	<b>Thread type</b>	BSPP 1 BSPT 2 NPT 9	<b>Element</b>	5µ Element E	<b>Port size</b>	1/4 2 3/8 3 1/2 4	<b>Adjustment</b>	N Non-rising knob T T-Handle	<b>Mounting</b>	p Plastic panel mount nut																																				
<b>Relief</b>	P Semi-Precision Relieving T Semi-Precision Non-relieving	<b>Bowl type</b>	Poly bowl with bowl guard G Metal bowl without sight gauge M Metal bowl with sight gauge S	<b>Drain type</b>	Manual drain M Auto drain A	<b>Adjustment range</b>	<table border="1"> <thead> <tr> <th colspan="2">With square gauge</th> <th colspan="2">With round gauge</th> </tr> <tr> <th>psig</th> <th>bar</th> <th>Z</th> <th></th> </tr> </thead> <tbody> <tr> <td>1 = 30*</td> <td>V = 2*</td> <td>M</td> <td>60 psig; 4 bar; 0.4 MPa</td> </tr> <tr> <td>3 = 60</td> <td>S = 4</td> <td>G</td> <td>125 psig; 8 bar; 0.8 MPa</td> </tr> <tr> <td>5 = 125</td> <td>T = 8</td> <td>J<sup>§</sup></td> <td>250 psig; 17 bar; 1.7 MPa</td> </tr> <tr> <td colspan="4"><b>Without gauge</b></td> </tr> <tr> <td></td> <td></td> <td>Y</td> <td>30 psig; 2 bar; 0.2 MPa</td> </tr> <tr> <td></td> <td></td> <td>L</td> <td>60 psig; 4 bar; 0.4 MPa</td> </tr> <tr> <td></td> <td></td> <td>N</td> <td>125 psig; 8 bar; 0.8 MPa</td> </tr> <tr> <td></td> <td></td> <td>H<sup>§</sup></td> <td>250 psig; 17 bar; 1.7 MPa</td> </tr> </tbody> </table>	With square gauge		With round gauge		psig	bar	Z		1 = 30*	V = 2*	M	60 psig; 4 bar; 0.4 MPa	3 = 60	S = 4	G	125 psig; 8 bar; 0.8 MPa	5 = 125	T = 8	J <sup>§</sup>	250 psig; 17 bar; 1.7 MPa	<b>Without gauge</b>						Y	30 psig; 2 bar; 0.2 MPa			L	60 psig; 4 bar; 0.4 MPa			N	125 psig; 8 bar; 0.8 MPa			H <sup>§</sup>	250 psig; 17 bar; 1.7 MPa
With square gauge		With round gauge																																													
psig	bar	Z																																													
1 = 30*	V = 2*	M	60 psig; 4 bar; 0.4 MPa																																												
3 = 60	S = 4	G	125 psig; 8 bar; 0.8 MPa																																												
5 = 125	T = 8	J <sup>§</sup>	250 psig; 17 bar; 1.7 MPa																																												
<b>Without gauge</b>																																															
		Y	30 psig; 2 bar; 0.2 MPa																																												
		L	60 psig; 4 bar; 0.4 MPa																																												
		N	125 psig; 8 bar; 0.8 MPa																																												
		H <sup>§</sup>	250 psig; 17 bar; 1.7 MPa																																												

\* Regulator comes with gauge respective to the adjustment range selected.  
§ Not available with poly bowl with bowl guard.

Most popular.



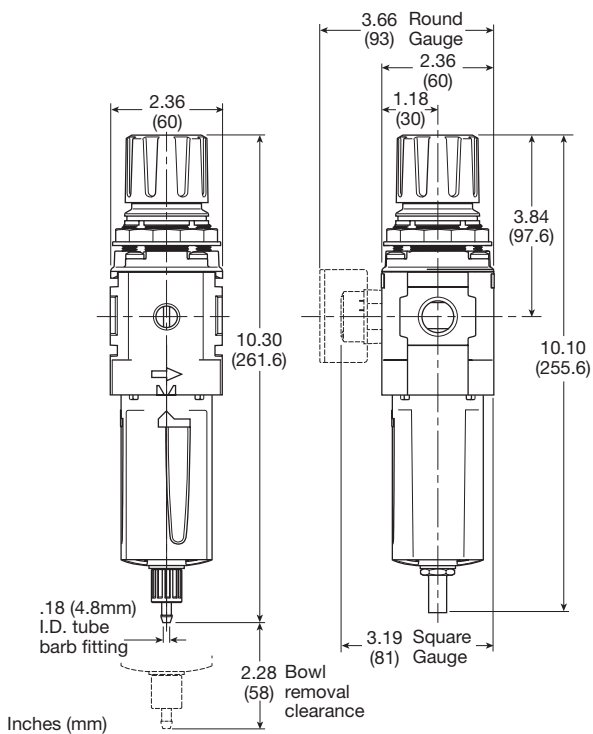
For inventory, lead times, and kit lookup, visit [www.pdnplu.com](http://www.pdnplu.com)

### Material Specifications

Body	Aluminum
Adjustment knob	Acetal
Element retainer / baffle	Acetal
Plastic bowl	Polycarbonate
Metal bowl	Aluminum
Bowl guard	Nylon
Filter element	Sintered polyethylene
Seals	Nitrile
Springs	Steel, stainless steel
Valve assembly	Brass / nitrile
Diaphragm assembly	Nitrile / zinc
Panel nut	Acetal
Sight gauge	Nylon

### Repair and Service Kits

Plastic bowl / bowl guard manual drain	<b>P32KB00BGM</b>
Metal bowl / sight gauge manual drain	<b>P32KB00BSM</b>
Auto drain	<b>P32KA00DA</b>
5µ particle filter element	<b>P32KA00ESE</b>
Diaphragm repair kit - relieving	<b>P32KB00RB</b>
Diaphragm repair kit - non-relieving	<b>P32KB00RC</b>
Panel mount nut - aluminum	<b>P32KA00MM</b>
Panel mount nut - plastic	<b>P32KA00MP</b>
Angle bracket (fits to panel mount threads)	<b>P32KB00MR</b>
T-bracket (fits to body connector)	<b>P32KA00MB</b>
T-bracket with body connector	<b>P32KA00MT</b>
Body connector	<b>P32KA00CB</b>

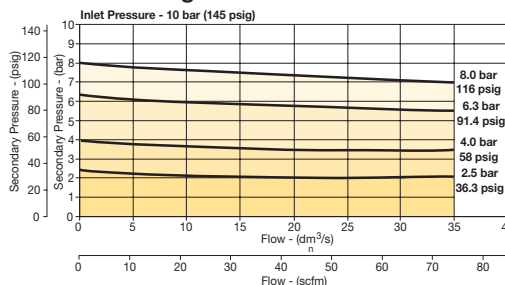


Manual Drain

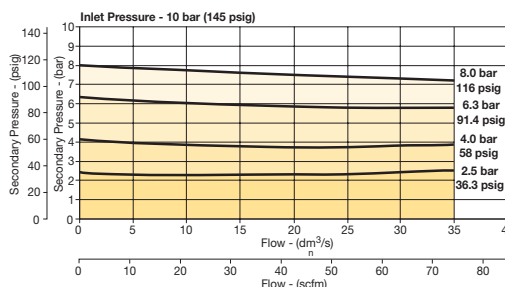
Automatic Drain

### Flow Charts

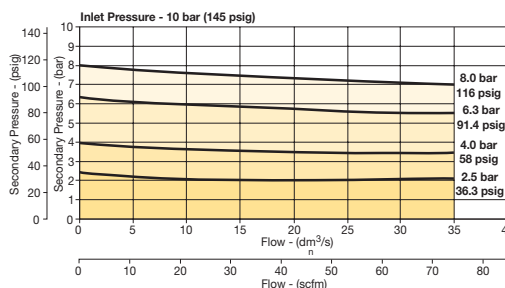
#### P32EB 1/4" Filter / Regulator



#### P32EB 3/8" Filter/Regulator



#### P32EB 1/2" Filter/Regulator



**⚠ WARNING**

**Product rupture can cause serious injury.  
Do not connect regulator to bottled gas.  
Do not exceed Maximum primary pressure rating.**

#### CAUTION:

**REGULATOR PRESSURE ADJUSTMENT** – The working range of knob adjustment is designed to permit outlet pressures within their full range. Pressure adjustment beyond this range is also possible because the knob is not a limiting device. This is a common characteristic of most industrial regulators, and limiting devices may be obtained only by special design. For best performance, regulated pressure should always be set by increasing the pressure up to the desired setting.

#### Gauges

50mm (2") round	0-30 psig / 0-2 bar	<b>K4520N14030</b>
1/4" center back mount	0-60 psig / 0-4 bar	<b>K4520N14060</b>
	0-160 psig / 0-11 bar	<b>K4520N14160</b>
	0-300 psig / 0-20 bar	<b>K4520N14300</b>

For best performance, regulated pressure should always be set by increasing the pressure up to the desired setting.



For inventory, lead time, and kit lookup, visit [www.pdnplu.com](http://www.pdnplu.com)

**B**

Global Air Preparation

Introduction

Filters

Coalescers

Regulators

Filter / Regulators

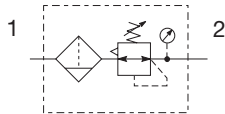
Lubricators

Combinations

Accessories and Kits

## P33 Filter / Regulators – Standard

- Integral 1/2" or 3/4" ports (NPT, BSPP & BSPT)
- High efficiency 5 micron element as standard
- Excellent water removal efficiency
- Robust but lightweight aluminum construction
- Positive bayonet latch to ensure correct & safe fitting
- Secondary pressure ranges
- Secondary aspiration plus balanced poppet provides quick response and accurate pressure regulation



Port size	Description / relieving	Bowl / drain type †	Part number
1/2"	125 psig (8 bar)	Poly / manual	<b>P33EA94EGMBNGP</b>
1/2"	125 psig (8 bar)	Poly / auto	<b>P33EA94EGABNGP</b>
1/2"	125 psig (8 bar)	Metal / manual	<b>P33EA94ESMBNGP</b>
1/2"	125 psig (8 bar)	Metal / auto	<b>P33EA94ESABNGP</b>
3/4"	125 psig (8 bar)	Poly / manual	<b>P33EA96EGMBNGP</b>
3/4"	125 psig (8 bar)	Poly / auto	<b>P33EA96EGABNGP</b>
3/4"	125 psig (8 bar)	Metal / manual	<b>P33EA96ESMBNGP</b>
3/4"	125 psig (8 bar)	Metal / auto	<b>P33EA96ESABNGP</b>

† For polycarbonate bowl, see caution in Engineering Section A.

### Operating information

Flow capacity*:	1/2	200 scfm (94 dm³/s, ANR)
	3/4	235 scfm (109 dm³/s, ANR)
Operating temperature:		
Plastic bowl		-13°F to 125°F (-25°C to 52°C)
Metal bowl		-13°F to 150°F (-25°C to 65.5°C)
Supply pressure (max):		
Plastic bowl		150 psig (10 bar)
Metal bowl		250 psig (17 bar)
Standard filtration:		5 micron
Useful retention†:		2.8 US oz. (85 cm³)
Adjusting range pressure:		0 to 30 psig (0 to 2 bar)
		0 to 60 psig (0 to 4 bar)
		0 to 125 psig (0 to 8 bar)
		0 to 250 psig (0 to 17 bar)
Gauge port (2 each):		1/4 NPT, BSPP, BSPT
Weight:		1.87 psig (8 bar)

\* Inlet pressure 145 psig (10 bar). Secondary pressure 91.3 psig (6.3 bar) and 14.5 psig (1 bar) pressure drop.  
 † Useful retention refers to volume below the quiet zone baffle.

Air quality: Within ISO 8573-1: 1991 Class 3 (Particulates)  
 Within ISO 8573-1: 2001 Class 6 (Particulates)

### Ordering Information:

**P33EA 9 6 E G M B N G P**

<b>Basic series</b> Global modular standard filter / regulator P33EA	<b>Thread type</b> BSPP 1 BSPT 2 NPT 9	<b>Element</b> 5µ Element E	<b>Adjustment</b> N Non-rising knob	<b>Mounting</b> P Plastic panel mount nut
	<b>Port size</b> 1/2 4 3/4 6	<b>Bowl type</b> Poly bowl with bowl guard G Metal bowl without sight gauge M Metal bowl with sight gauge S	<b>Relief</b> B Relieving N Non-relieving	<b>Adjustment range</b> <b>With round gauge</b> Z 30 psig; 2 bar; 0.2 MPa M 60 psig; 4 bar; 0.4 MPa G 125 psig; 8 bar; 0.8 MPa J <sup>§</sup> 250 psig; 17 bar; 1.7 MPa <b>Without gauge</b> Y 30 psig; 2 bar; 0.2 MPa L 60 psig; 4 bar; 0.4 MPa N 125 psig; 8 bar; 0.8 MPa H <sup>§</sup> 250 psig; 17 bar; 1.7 MPa
			<b>Drain type</b> M Manual drain A Auto drain	

§ Not available with poly bowl with bowl guard.

Most popular.



For inventory, lead times, and kit lookup, visit [www.pdnplu.com](http://www.pdnplu.com)

# Standard Filter / Regulators

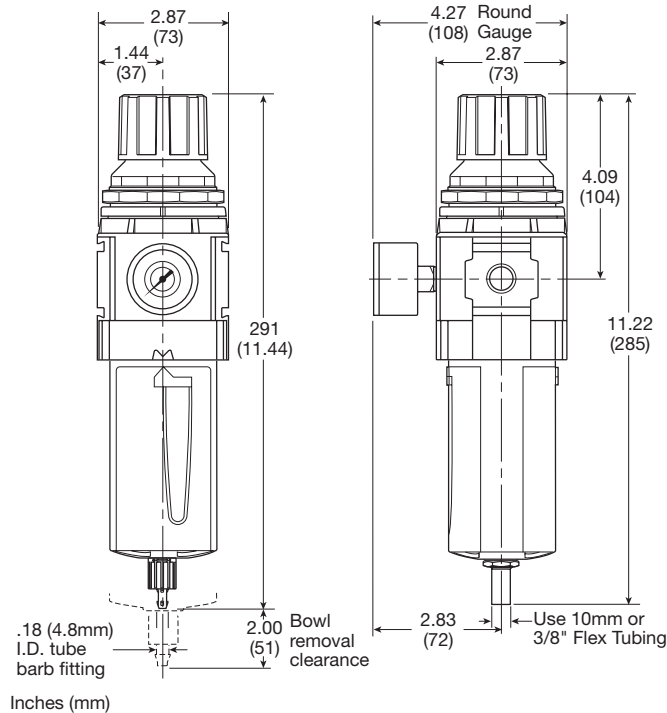
# Air Preparation Products Global Air Preparation

## Material Specifications

Body	Aluminum
Adjustment knob	Acetal
Body cap	ABS
Element retainer / baffle	Acetal
Plastic bowl	Polycarbonate
Metal bowl	Aluminum
Filter element	Sintered Polyethylene
Seals	Nitrile
Springs	Steel, stainless steel
Valve assembly	Brass / nitrile
Diaphragm assembly	Nitrile / zinc
Panel nut	Acetal
Sight gauge	Nylon

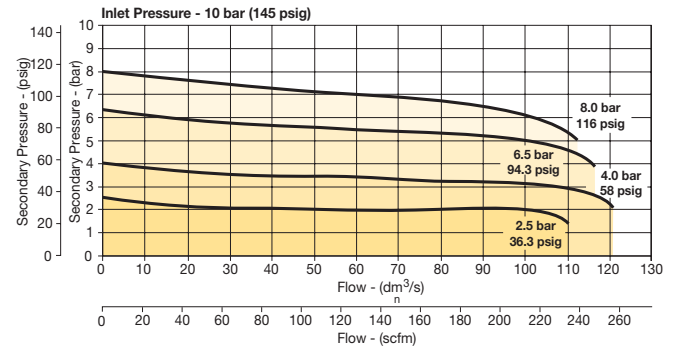
## Repair and Service Kits

Plastic bowl / bowl guard, manual drain	<b>P33KA00BGM</b>
Metal bowl / sight gauge, manual drain	<b>P33KA00BSM</b>
Auto drain	<b>P32KA00DA</b>
5µ particle filter element	<b>P33KA00ESE</b>
Diaphragm repair kit - Relieving	<b>P33KA00RB</b>
Diaphragm repair kit - Non-relieving	<b>P33KA00RC</b>
Panel mount nut - Aluminum	<b>P33KA00MM</b>
Panel mount nut - Plastic	<b>P33KA00MP</b>
Angle bracket (fits to panel mount threads)	<b>P33KA00MR</b>
T-bracket (fits to body connector)	<b>P32KA00MB</b>
T-bracket with body connector	<b>P32KA00MT</b>
Body connector	<b>P32KA00CB</b>

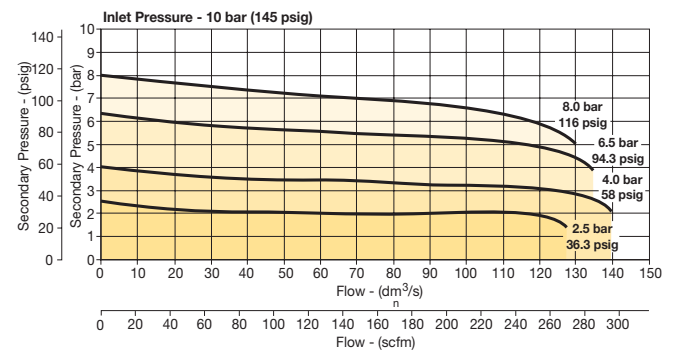


## Flow Charts

### P33EA 1/2" Filter / Regulator



### P33EA 3/4" Filter/Regulator



**WARNING**

Product rupture can cause serious injury.  
Do not connect regulator to bottled gas.  
Do not exceed Maximum primary pressure rating.

## CAUTION:

**REGULATOR PRESSURE ADJUSTMENT** – The working range of knob adjustment is designed to permit outlet pressures within their full range. Pressure adjustment beyond this range is also possible because the knob is not a limiting device. This is a common characteristic of most industrial regulators, and limiting devices may be obtained only by special design. For best performance, regulated pressure should always be set by increasing the pressure up to the desired setting.

## Gauges

50mm (2") round	0-30 psig / 0-2 bar	<b>K4520N14030</b>
1/4" center back mount	0-60 psig / 0-4 bar	<b>K4520N14060</b>
	0-160 psig / 0-11 bar	<b>K4520N14160</b>
	0-300 psig / 0-20 bar	<b>K4520N14300</b>

For best performance, regulated pressure should always be set by increasing the pressure up to the desired setting.

Manual Drain

Automatic Drain



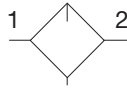
For inventory, lead time, and kit lookup, visit [www.pdnplu.com](http://www.pdnplu.com)

B49

**Parker Hannifin Corporation**  
Pneumatic Division  
Richland, Michigan  
[www.parker.com/pneumatics](http://www.parker.com/pneumatics)

## P31 Lubricators – Mini

- Integral 1/4" ports (NPT, BSPP & BSPT)
- Robust but lightweight aluminum construction
- Proportional oil delivery over a wide range of air flows
- Finger tip ratchet control for precise oil drip rate adjustment



Lubricator with drain

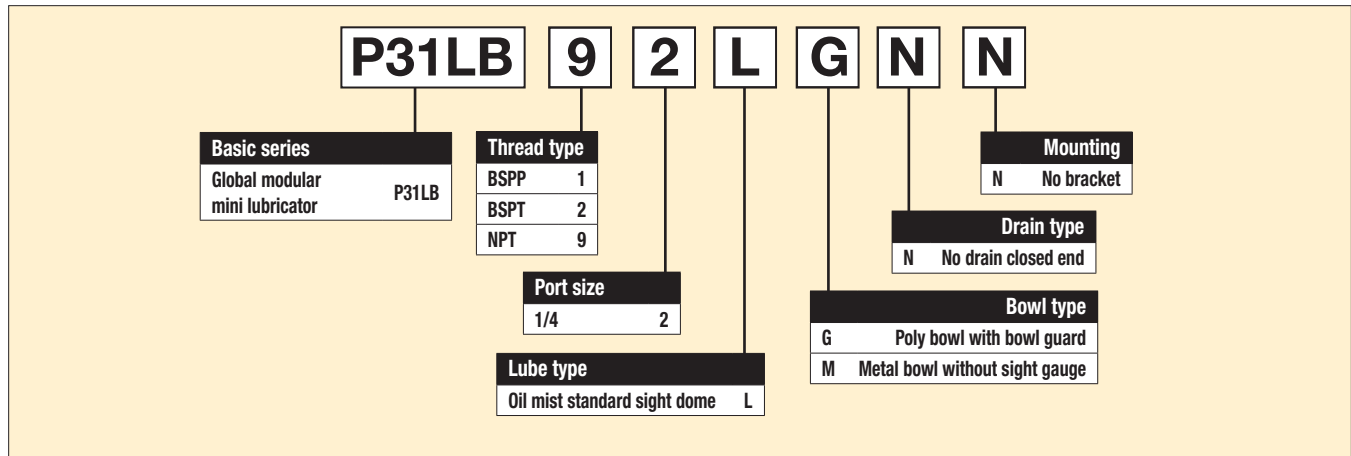
Port size	Description †	Part number
1/4"	Poly bowl - No drain	<b>P31LB92LGNN</b>
1/4"	Metal bowl - No drain	<b>P31LB92LMNN</b>

† For polycarbonate bowl, see caution in Engineering Section A.

### Operating information

Flow capacity*:	
1/4	52 scfm (25 dm <sup>3</sup> /s, ANR)
Operating temperature:	
Plastic bowl	14°F to 125°F (-10°C to 52°C)
Metal bowl	14°F to 150°F (-10°C to 65.5°C)
Supply pressure (max):	
Plastic bowl	150 psig (10 bar)
Metal bowl	250 psig (17 bar)
Bowl capacity:	0.6 US oz. (18 cm <sup>3</sup> )
Weight:	0.29 lb (0.13 kg)
* Inlet pressure 91.3 psig (6.3 bar). Pressure drop 4.9 psig (0.34 bar).	

### Ordering Information:



### Suggested Lubricant .....F442 Oil

Petroleum based oil of 100 to 200 SUS viscosity at 100°F (38°C) and an aniline point greater than 200°F (93°C)  
 (DO NOT USE OILS WITH ADDITIVES, COMPOUNDED OILS CONTAINING SOLVENTS, GRAPHITE, DETERGENTS, OR SYNTHETIC OILS.)

Most popular.



For inventory, lead times, and kit lookup, visit [www.pdnplu.com](http://www.pdnplu.com)

B50

**Parker Hannifin Corporation**  
 Pneumatic Division  
 Richland, Michigan  
[www.parker.com/pneumatics](http://www.parker.com/pneumatics)



**Material Specifications**

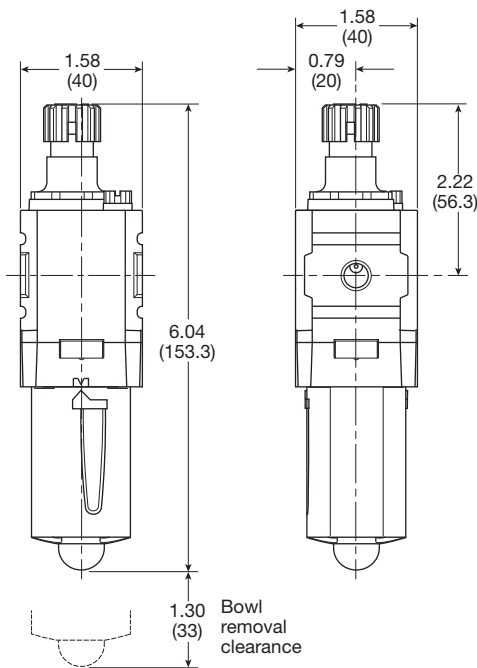
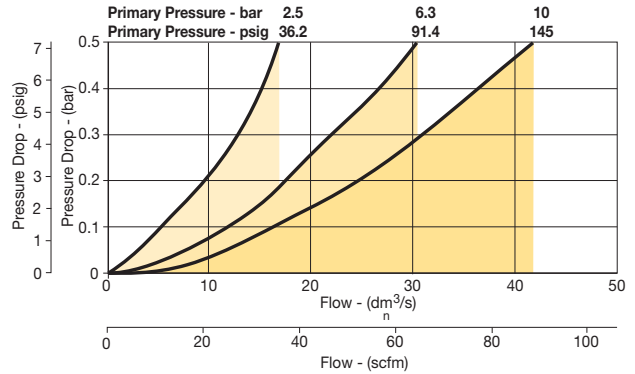
Body	Aluminum
Body cap	ABS
Plastic bowl	Polycarbonate
Metal bowl	Aluminum
Seals	Nitrile
Sight dome	Polycarbonate
Suggested lubricant	ISO / ASTM VG32
Pick-up filter	Sintered bronze

**Repair and Service Kits**

Plastic bowl / bowl guard no drain	<b>P31KB00BGN</b>
Metal bowl / w/o sight gauge no drain	<b>P31KB00BMN</b>
Drip control assembly	<b>P32KA00PG</b>
Fill plug	<b>P31KA00PL</b>
C-bracket (fits to body)	<b>P31KA00MW</b>
T-bracket with body connector	<b>P31KA00MT</b>
Body connector	<b>P31KA00CB</b>
Oil (1 quart)	<b>F442001</b>
Oil (1 gallon)	<b>F442002</b>
Oil (12 quart case)	<b>F442003</b>
Oil (4 gallon case)	<b>F442005</b>

**Flow Charts**

**P31LB 1/4" Lubricator**



Inches (mm)

**B**

Global Air Preparation

Introduction

Filters

Coalescers

Regulators

Filter/Regulators

Lubricators

Combinations

Accessories and Kits



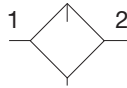
For inventory, lead time, and kit lookup, visit [www.pdnplu.com](http://www.pdnplu.com)

B51

**Parker Hannifin Corporation**  
 Pneumatic Division  
 Richland, Michigan  
[www.parker.com/pneumatics](http://www.parker.com/pneumatics)

## P32 Lubricators – Compact

- Integral 1/4", 3/8" or 1/2" ports (NPT, BSPP & BSPT)
- Robust but lightweight aluminum construction
- Proportional oil delivery over a wide range of air flows
- Finger tip ratchet control for precise oil drip rate adjustment
- Fill from top under system pressure



Lubricator with drain



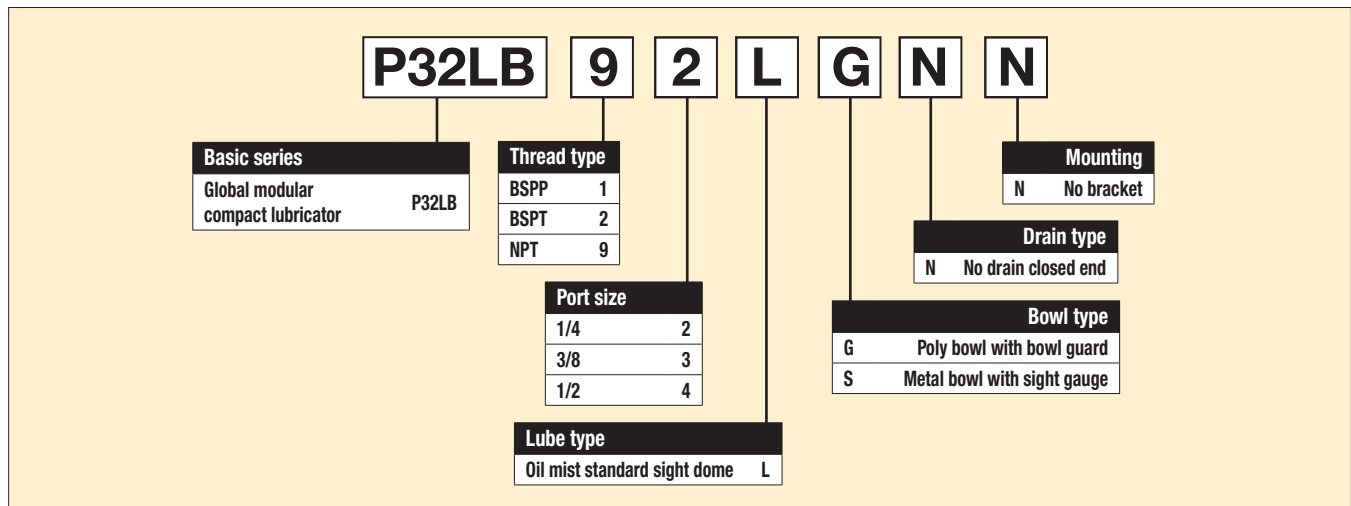
### Operating information

Flow capacity*:	
1/4	38 scfm (17 dm <sup>3</sup> /s, ANR)
3/8	70 scfm (33 dm <sup>3</sup> /s, ANR)
1/2	90 scfm (42 dm <sup>3</sup> /s, ANR)
Operating temperature:	
Plastic bowl	14°F to 125°F (-10°C to 52°C)
Metal bowl	14°F to 150°F (-10°C to 65.5°C)
Supply pressure (max):	
Plastic bowl	150 psig (10 bar)
Metal bowl	250 psig (17 bar)
Bowl capacity:	4.09 US oz. (121 cm <sup>3</sup> )
Weight:	0.68 lb (0.31 kg)
* Inlet pressure 91.3 psig (6.3 bar). Pressure drop 4.9 psig (0.34 bar).	

Port size	Description †	Part number
1/4"	Poly bowl - No drain	<b>P32LB92LGNN</b>
1/4"	Metal bowl - No drain	<b>P32LB92LSNN</b>
3/8"	Poly bowl - No drain	<b>P32LB93LGNN</b>
3/8"	Metal bowl - No drain	<b>P32LB93LSNN</b>
1/2"	Poly bowl - No drain	<b>P32LB94LGNN</b>
1/2"	Metal bowl - No drain	<b>P32LB94LSNN</b>

† For polycarbonate bowl, see caution in Engineering Section A.

### Ordering Information:



**Suggested Lubricant** ..... **F442 Oil**  
 Petroleum based oil of 100 to 200 SUS viscosity at 100°F (38°C) and an aniline point greater than 200°F (93°C)  
 (DO NOT USE OILS WITH ADDITIVES, COMPOUNDED OILS CONTAINING SOLVENTS, GRAPHITE, DETERGENTS, OR SYNTHETIC OILS.)

Most popular.



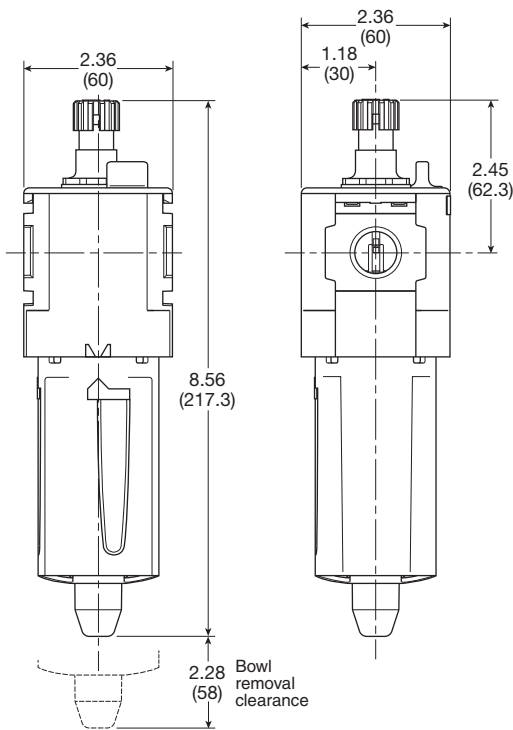
For inventory, lead times, and kit lookup, visit [www.pdnplu.com](http://www.pdnplu.com)

**Material Specifications**

Body	Aluminum
Body cap	ABS
Plastic bowl	Polycarbonate
Metal bowl	Aluminum
Seals	Nitrile
Sight dome	Polycarbonate
Sight gauge	Nylon
Suggested lubricant	ISO / ASTM VG32
Pick-up filter	Sintered bronze

**Repair and Service Kits**

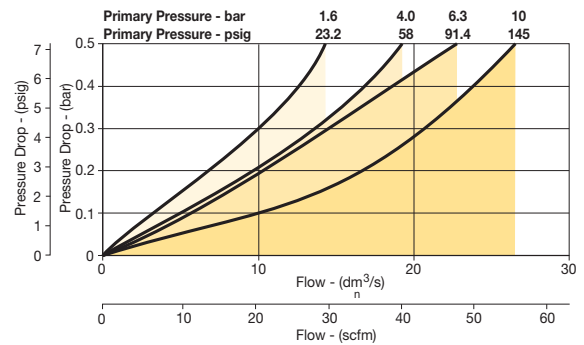
Plastic bowl / bowl guard no drain	<b>P32KB00BGN</b>
Metal bowl / w/o sight gauge no drain	<b>P32KB00BMN</b>
Metal bowl / Sight gauge no drain	<b>P32KB00BSN</b>
Drip control assembly	<b>P32KA00PG</b>
Fill plug	<b>P32KA00PL</b>
L-bracket (fits to body)	<b>P32KA00ML</b>
T-bracket (fits to body connector)	<b>P32KA00MB</b>
T-bracket with body connector	<b>P32KA00MT</b>
Body connector	<b>P32KA00CB</b>
Oil (1 quart)	<b>F442001</b>
Oil (1 gallon)	<b>F442002</b>
Oil (12 quart case)	<b>F442003</b>
Oil (4 gallon case)	<b>F442005</b>



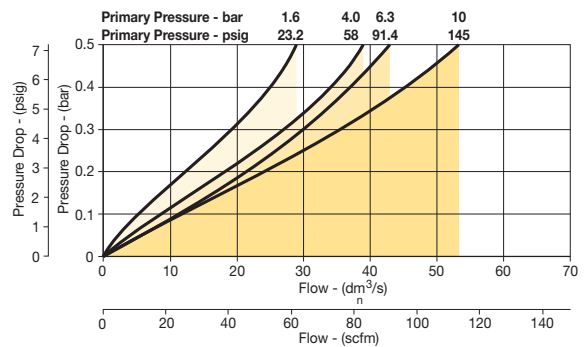
Inches (mm)

**Flow Charts**

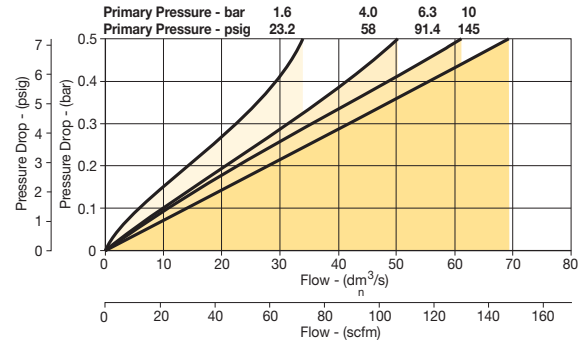
**P32LB 1/4" Lubricator**



**P32LB 3/8" Lubricator**



**P32LB 1/2" Lubricator**



**B**

Global Air Preparation

Introduction

Filters

Coalescers

Regulators

Filter/Regulators

Lubricators

Combinations

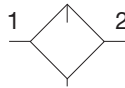
Accessories and Kits



For inventory, lead time, and kit lookup, visit [www.pdnplu.com](http://www.pdnplu.com)

## P33 Lubricators – Standard

- Integral 1/2" or 3/4" ports (NPT, BSPP & BSPT)
- Robust but lightweight aluminum construction
- Proportional oil delivery over a wide range of air flows
- Finger tip ratchet control for precise oil drip rate adjustment
- Fill from top under system pressure



Lubricator with drain

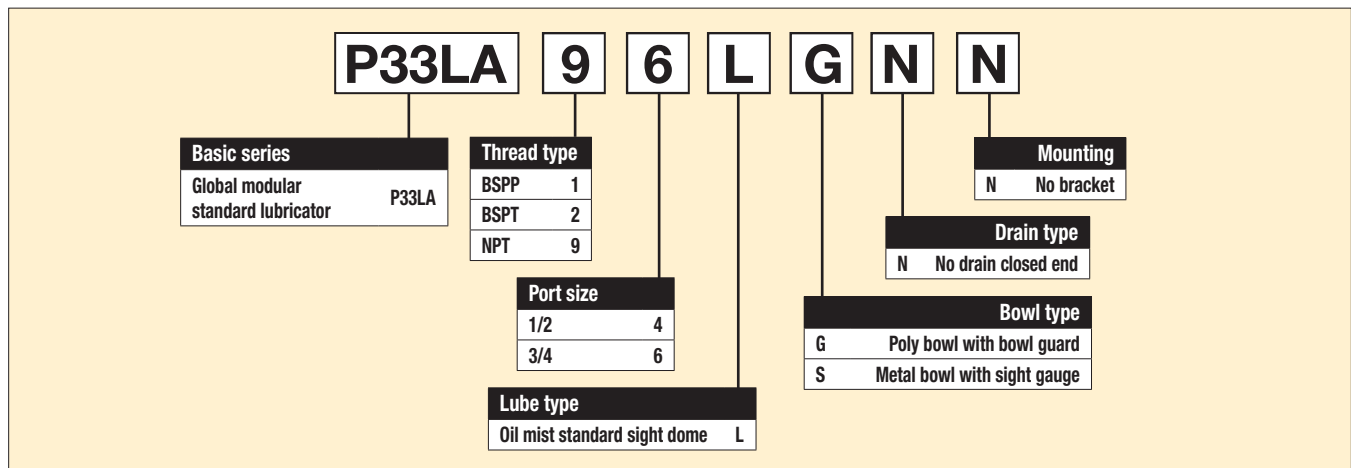
### Operating information

Flow capacity*:	
1/2	110 scfm (52 dm <sup>3</sup> /s, ANR)
3/4	150 scfm (71 dm <sup>3</sup> /s, ANR)
Operating temperature:	
Plastic bowl	14°F to 125°F (-10°C to 52°C)
Metal bowl	14°F to 150°F (-10°C to 65.5°C)
Supply pressure (max):	
Plastic bowl	150 psig (10 bar)
Metal bowl	250 psig (17 bar)
Bowl capacity:	6.1 US oz. (181 cm <sup>3</sup> )
Weight:	1.04 lb (0.47 kg)
* Inlet pressure 91.3 psig (6.3 bar). Pressure drop 4.9 psig (0.34 bar).	

Port size	Description †	Part number
1/2"	Poly bowl - No drain	<b>P33LA94LGNN</b>
1/2"	Metal bowl - No drain	<b>P33LA94LSNN</b>
3/4"	Poly bowl - No drain	<b>P33LA96LGNN</b>
3/4"	Metal bowl - No drain	<b>P33LA96LSNN</b>

† For polycarbonate bowl, see caution in Engineering Section A.

### Ordering Information:



**Suggested Lubricant** .....F442 Oil  
 Petroleum based oil of 100 to 200 SUS viscosity at 100°F (38°C) and an aniline point greater than 200°F (93°C)  
 (DO NOT USE OILS WITH ADDITIVES, COMPOUNDED OILS CONTAINING SOLVENTS, GRAPHITE, DETERGENTS, OR SYNTHETIC OILS.)

Most popular.



For inventory, lead times, and kit lookup, visit [www.pdnplu.com](http://www.pdnplu.com)

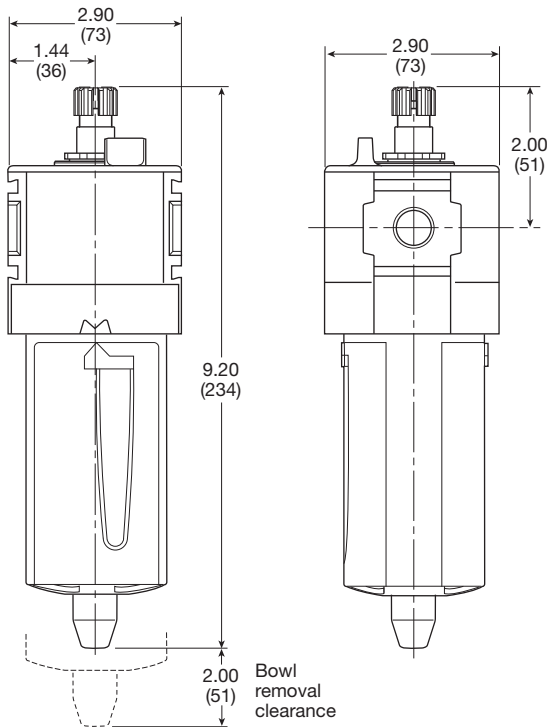
**P** Global Air Preparation  
 Introduction  
 Filters  
 Coalescers  
 Regulators  
 Filter / Regulators  
 Lubricators  
 Combinations  
 Accessories and Kits

**Material Specifications**

Body	Aluminum
Body cap	ABS
Plastic bowl	Polycarbonate
Metal bowl	Aluminum
Seals	Nitrile
Sight dome	Polycarbonate
Sight gauge	Nylon
Suggested lubricant	ISO / ASTM VG32
Pick-up filter	Sintered bronze

**Repair and Service Kits**

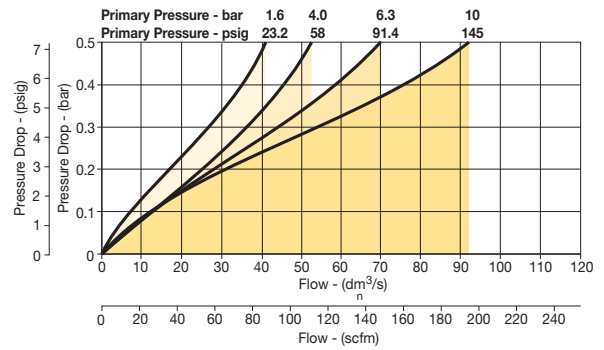
Plastic bowl / bowl guard no drain	<b>P33KA00BGN</b>
Metal bowl / w/o sight gauge no drain	<b>P33KA00BMN</b>
Metal bowl / sight gauge no drain	<b>P33KA00BSN</b>
Drip control assembly	<b>P32KA00PG</b>
Fill plug	<b>P32KA00PL</b>
L-bracket (fits to body)	<b>P33KA00ML</b>
T-bracket (fits to body connector)	<b>P32KA00MB</b>
T-bracket with body connector	<b>P32KA00MT</b>
Body connector	<b>P32KA00CB</b>
Oil (1 quart)	<b>F442001</b>
Oil (1 gallon)	<b>F442002</b>
Oil (12 quart case)	<b>F442003</b>
Oil (4 gallon case)	<b>F442005</b>



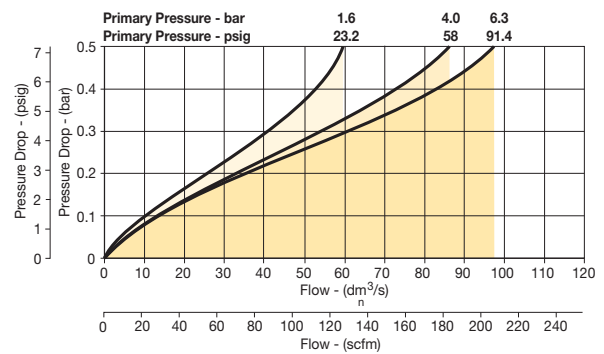
Inches (mm)

**Flow Charts**

**P33LA 1/2" Lubricator**



**P33LA 3/4" Lubricator**



**B**

Global Air Preparation

Introduction

Filters

Coalescers

Regulators

Filter/Regulators

Lubricators

Combinations

Accessories and Kits



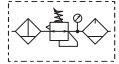
For inventory, lead time, and kit lookup, visit [www.pdnplu.com](http://www.pdnplu.com)

**Popular Combinations:** Inlet pressure 145 psig (10 bar), secondary pressure 91.3 psig (6.3 bar), 14.5 psig (1 bar) pressure drop.

**B**  
Global Air Preparation  
Introduction  
Filters  
Coalescers  
Regulators  
Filter / Regulators  
Lubricators  
Combinations  
Accessories and Kits



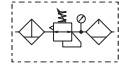
**Filter + Regulator + Lubricator Combinations, poly bowl  
5 micron element, 116 psig (8 bar) regulator + gauge and wall mounting brackets**



Port size	Flow	Manual drain	Pulse drain
1/4"	27 scfm (13 dm <sup>3</sup> /s, ANR)	<b>P31CB92GEMN5LNW</b>	<b>P31CB92GEBN5LNW</b>



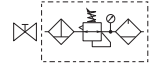
**Filter/Regulator + Lubricator Combinations, poly bowl  
5 micron element, 116 psig (8 bar) regulator + gauge and wall mounting brackets**



Port size	Flow	Manual drain	Pulse drain
1/4"	28 scfm (14 dm <sup>3</sup> /s, ANR)	<b>P31CA92GEMN5LNW</b>	<b>P31CA92GEBN5LNW</b>



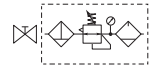
**Ball Valve + Filter + Regulator + Lubricator Combinations, poly bowl  
5 micron element, 116 psig (8 bar) regulator + gauge and wall mounting brackets**



Port size	Flow	Manual drain	Pulse drain
1/4"	27 scfm (13 dm <sup>3</sup> /s, ANR)	<b>P31QB92GEMN5LNW</b>	<b>P31QB92GEBN5LNW</b>



**Ball Valve + Filter/Regulator + Lubricator Combinations, poly bowl  
5 micron element, 116 psig (8 bar) regulator + gauge and wall mounting brackets**



Port size	Flow	Manual drain	Pulse drain
1/4"	28 scfm (14 dm <sup>3</sup> /s, ANR)	<b>P31QA92GEMN5LNW</b>	<b>P31QA92GEBN5LNW</b>

**Filter / Regulator coding**  
(use with codes: A M)

Filter coding (use with combo codes: B F G). For multiple filters, repeat as needed.	Regulator coding (use with combo code: B)	Lubricator coding (use with combo codes: A B)	Assembly configuration																													
<p><b>P31</b></p> <p><b>Combination</b> B/V + Combination <b>Q</b> Combination + B/V <b>X</b> Combination <b>C</b></p> <p>B/V = Ball valve</p> <p><b>Combination type*</b></p> <table border="1"> <tr> <td>F/R+L <b>A</b></td> <td>F+Fc+Fa <b>G</b></td> </tr> <tr> <td>F+R+L <b>B</b></td> <td>F/R+Fc <b>M</b></td> </tr> <tr> <td>F+Fc <b>F</b></td> <td></td> </tr> </table> <p>* Combination type F = 5µ Fc1 = 1µ Fc = .01µ Fa = Adsorber</p> <p><b>Thread type</b> BSPP <b>1</b> BSPT <b>2</b> NPT <b>9</b></p> <p><b>Port size</b> 1/4" <b>2</b></p> <p><b>Bowl type</b> Poly bowl with bowl guard † <b>G</b> Metal bowl without sight gauge <b>M</b></p> <p><b>Note:</b> All bowl types are the same for each component <b>Example:</b> If a "G" is specified for a F+L, both units would get a poly bowl with bowl guard. † For polycarbonate bowl, see caution in Engineering Section A.</p>	F/R+L <b>A</b>	F+Fc+Fa <b>G</b>	F+R+L <b>B</b>	F/R+Fc <b>M</b>	F+Fc <b>F</b>		<p><b>E M</b></p> <p><b>Element</b> 5µ Element <b>E</b> 0.01µ Element <b>C</b> 1µ Element <b>9</b> Adsorber <b>A</b></p> <p><b>Drain type</b> Manual drain <b>M</b> Pulse drain <b>B</b></p>	<p><b>N 5</b></p> <p><b>Relief / Adjustment</b> Non-rising knob <b>N</b></p> <table border="1"> <thead> <tr> <th>Adjustment range</th> <th></th> </tr> </thead> <tbody> <tr> <td><b>With round gauge</b></td> <td></td> </tr> <tr> <td>30 psig; 2 bar; 0.2 MPa</td> <td><b>Z</b></td> </tr> <tr> <td>60 psig; 4 bar; 0.4 MPa</td> <td><b>M</b></td> </tr> <tr> <td>125 psig; 8 bar; 0.8 MPa</td> <td><b>G</b></td> </tr> <tr> <td>232 psig; 16 bar; 1.6 MPa</td> <td><b>J</b><sup>§</sup></td> </tr> <tr> <td><b>Without gauge</b></td> <td></td> </tr> <tr> <td>30 psig; 2 bar; 0.2 MPa</td> <td><b>Y</b></td> </tr> <tr> <td>60 psig; 4 bar; 0.4 MPa</td> <td><b>L</b></td> </tr> <tr> <td>125 psig; 8 bar; 0.8 MPa</td> <td><b>N</b></td> </tr> <tr> <td>232 psig; 16 bar; 1.6 MPa</td> <td><b>H</b><sup>§</sup></td> </tr> </tbody> </table>	Adjustment range		<b>With round gauge</b>		30 psig; 2 bar; 0.2 MPa	<b>Z</b>	60 psig; 4 bar; 0.4 MPa	<b>M</b>	125 psig; 8 bar; 0.8 MPa	<b>G</b>	232 psig; 16 bar; 1.6 MPa	<b>J</b> <sup>§</sup>	<b>Without gauge</b>		30 psig; 2 bar; 0.2 MPa	<b>Y</b>	60 psig; 4 bar; 0.4 MPa	<b>L</b>	125 psig; 8 bar; 0.8 MPa	<b>N</b>	232 psig; 16 bar; 1.6 MPa	<b>H</b> <sup>§</sup>	<p><b>L N</b></p> <p><b>Lub type</b> Oil mist standard sight dome <b>L</b></p> <p><b>Drain type</b> No drain; closed end <b>N</b></p>	<p><b>W</b></p> <p><b>Mounting</b> No bracket <b>A</b> Port blocks <b>C</b>* Port blocks &amp; wall brkt <b>D</b>* Wall bracket <b>W</b></p> <p>* For 3/8" Port Blocks please order separately. See Kits section.</p> <p>† Regulator comes with gauge respective to the adjustment range selected. § Not available with poly bowl with bowl guard.</p>
F/R+L <b>A</b>	F+Fc+Fa <b>G</b>																															
F+R+L <b>B</b>	F/R+Fc <b>M</b>																															
F+Fc <b>F</b>																																
Adjustment range																																
<b>With round gauge</b>																																
30 psig; 2 bar; 0.2 MPa	<b>Z</b>																															
60 psig; 4 bar; 0.4 MPa	<b>M</b>																															
125 psig; 8 bar; 0.8 MPa	<b>G</b>																															
232 psig; 16 bar; 1.6 MPa	<b>J</b> <sup>§</sup>																															
<b>Without gauge</b>																																
30 psig; 2 bar; 0.2 MPa	<b>Y</b>																															
60 psig; 4 bar; 0.4 MPa	<b>L</b>																															
125 psig; 8 bar; 0.8 MPa	<b>N</b>																															
232 psig; 16 bar; 1.6 MPa	<b>H</b> <sup>§</sup>																															



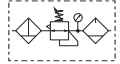
For inventory, lead times, and kit lookup, visit [www.pdnplu.com](http://www.pdnplu.com)

**Popular Combinations:** Inlet pressure 145 psig (10 bar), secondary pressure 91.3 psig (6.3 bar), 14.5 psig (1 bar) pressure drop.

**B**  
Global Air Preparation  
Introduction  
Filters  
Coalescers  
Regulators  
Filter/Regulators  
Lubricators  
Combinations  
Accessories and Kits



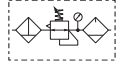
**Filter + Regulator + Lubricator Combinations, poly bowl**  
**5 micron element, 116 psig (8 bar) regulator + gauge and wall mounting brackets**



Port size	Flow	Manual drain	Auto drain
1/4"	42 scfm (20 dm <sup>3</sup> /s, ANR)	<b>P32CB92GEMNGLNW</b>	<b>P32CB92GEANGLNW</b>
3/8"	68 scfm (32 dm <sup>3</sup> /s, ANR)	<b>P32CB93GEMNGLNW</b>	<b>P32CB93GEANGLNW</b>
1/2"	85 scfm (40 dm <sup>3</sup> /s, ANR)	<b>P32CB94GEMNGLNW</b>	<b>P32CB94GEANGLNW</b>



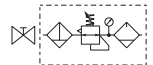
**Filter/Regulator + Lubricator Combinations, poly bowl**  
**5 micron element, 116 psig (8 bar) regulator + gauge and wall mounting brackets**



Port size	Flow	Manual drain	Auto drain
1/4"	45 scfm (22 dm <sup>3</sup> /s, ANR)	<b>P32CA92GEMNGLNW</b>	<b>P32CA92GEANGLNW</b>
3/8"	70 scfm (33 dm <sup>3</sup> /s, ANR)	<b>P32CA93GEMNGLNW</b>	<b>P32CA93GEANGLNW</b>
1/2"	90 scfm (43 dm <sup>3</sup> /s, ANR)	<b>P32CA94GEMNGLNW</b>	<b>P32CA94GEANGLNW</b>



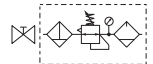
**Ball Valve + Filter + Regulator + Lubricator Combinations, poly bowl**  
**5 micron element, 116 psig (8 bar) regulator + gauge and wall mounting brackets**



Port size	Flow	Manual drain	Auto drain
1/4"	42 scfm (20 dm <sup>3</sup> /s, ANR)	<b>P32QB92GEMNGLNW</b>	<b>P32QB92GEANGLNW</b>
3/8"	68 scfm (32 dm <sup>3</sup> /s, ANR)	<b>P32QB93GEMNGLNW</b>	<b>P32QB93GEANGLNW</b>
1/2"	85 scfm (40 dm <sup>3</sup> /s, ANR)	<b>P32QB94GEMNGLNW</b>	<b>P32QB94GEANGLNW</b>



**Ball Valve + Filter/Regulator + Lubricator Combinations, poly bowl**  
**5 micron element, 116 psig (8 bar) regulator + gauge and wall mounting brackets**



Port size	Flow	Manual drain	Auto drain
1/4"	45 scfm (22 dm <sup>3</sup> /s, ANR)	<b>P32QA92GEMNGLNW</b>	<b>P32QA92GEANGLNW</b>
3/8"	70 scfm (33 dm <sup>3</sup> /s, ANR)	<b>P32QA93GEMNGLNW</b>	<b>P32QA93GEANGLNW</b>
1/2"	90 scfm (43 dm <sup>3</sup> /s, ANR)	<b>P32QA94GEMNGLNW</b>	<b>P32QA94GEANGLNW</b>

**Filter / Regulator coding**  
(use with codes: A M)

Filter coding (use with combo codes: B F G, For multiple filters, repeat as needed.	Regulator coding (use with combo code: B)	Lubricator coding (use with combo codes: A B)	Assembly configuration
--	--	---	---------------------------

<p><b>P32</b></p> <p><b>Combination</b></p> <p>B/V + Combination <b>Q</b></p> <p>Combination + B/V <b>X</b></p> <p>Combination <b>C</b></p> <p>B/V = Ball valve</p> <p><b>Combination type*</b></p> <table border="1"> <tr> <td>F/R+L <b>A</b></td> <td>F+Fc+Fa <b>G</b></td> </tr> <tr> <td>F+R+L <b>B</b></td> <td>F/R+Fc <b>M</b></td> </tr> <tr> <td>F+Fc <b>F</b></td> <td></td> </tr> </table> <p>* Combination type F = 5μ Fc = 1μ Fa = Adsorbent</p> <p>† For polycarbonate bowl, see caution in Engineering Section A.</p> <p><b>Bowl type</b></p> <table border="1"> <tr> <td>Poly bowl with bowl guard ‡</td> <td><b>G</b></td> </tr> <tr> <td>Metal bowl without sight gauge</td> <td><b>M*</b></td> </tr> <tr> <td>Metal bowl with sight gauge</td> <td><b>S</b></td> </tr> </table> <p>* Not available when using Lubricator. <b>Note:</b> All bowl types are the same for each component. <b>Example:</b> If a "G" is specified for a F+L, both units would get a poly bowl with bowl guard.</p>	F/R+L <b>A</b>	F+Fc+Fa <b>G</b>	F+R+L <b>B</b>	F/R+Fc <b>M</b>	F+Fc <b>F</b>		Poly bowl with bowl guard ‡	<b>G</b>	Metal bowl without sight gauge	<b>M*</b>	Metal bowl with sight gauge	<b>S</b>	<p><b>C</b></p> <p><b>Thread type</b></p> <table border="1"> <tr> <td>BSPP</td> <td><b>1</b></td> </tr> <tr> <td>BSPT</td> <td><b>2</b></td> </tr> <tr> <td>NPT</td> <td><b>9</b></td> </tr> </table> <p><b>Port size</b></p> <table border="1"> <tr> <td>1/4</td> <td><b>2*</b></td> </tr> <tr> <td>3/8</td> <td><b>3</b></td> </tr> <tr> <td>1/2</td> <td><b>4</b></td> </tr> </table> <p>* Order combo Q or X: ball valve (BV) comes with 3/8 ports.</p>	BSPP	<b>1</b>	BSPT	<b>2</b>	NPT	<b>9</b>	1/4	<b>2*</b>	3/8	<b>3</b>	1/2	<b>4</b>	<p><b>9 4 G</b></p> <p><b>Element</b></p> <table border="1"> <tr> <td>0.01μ Element</td> <td><b>C</b></td> </tr> <tr> <td>0.01μ Element with dpi</td> <td><b>D*</b></td> </tr> <tr> <td>5μ Element</td> <td><b>E</b></td> </tr> <tr> <td>5μ Element with dpi</td> <td><b>F*</b></td> </tr> <tr> <td>1μ Element</td> <td><b>9</b></td> </tr> <tr> <td>1μ Element with dpi</td> <td><b>Q*</b></td> </tr> <tr> <td>Adsorbent</td> <td><b>A</b></td> </tr> </table> <p>* Not available with F/R.</p> <p><b>Drain type</b></p> <table border="1"> <tr> <td>Auto drain</td> <td><b>A</b></td> </tr> <tr> <td>Manual drain</td> <td><b>M</b></td> </tr> </table>	0.01μ Element	<b>C</b>	0.01μ Element with dpi	<b>D*</b>	5μ Element	<b>E</b>	5μ Element with dpi	<b>F*</b>	1μ Element	<b>9</b>	1μ Element with dpi	<b>Q*</b>	Adsorbent	<b>A</b>	Auto drain	<b>A</b>	Manual drain	<b>M</b>	<p><b>E M</b></p> <p><b>Relief / Adjustment</b></p> <table border="1"> <tr> <td>Non-rising knob relieving</td> <td><b>N</b></td> </tr> </table> <p><b>Adjustment range</b></p> <table border="1"> <tr> <td><b>With round gauge</b></td> <td></td> </tr> <tr> <td>30 psig; 2 bar; 0.2 MPa</td> <td><b>Z</b></td> </tr> <tr> <td>60 psig; 4 bar; 0.4 MPa</td> <td><b>M</b></td> </tr> <tr> <td>125 psig; 8 bar; 0.8 MPa</td> <td><b>G</b></td> </tr> <tr> <td>250 psig; 17 bar; 1.7 MPa</td> <td><b>J<sup>§</sup></b></td> </tr> <tr> <td><b>Without gauge</b></td> <td></td> </tr> <tr> <td>30 psig; 2 bar; 0.2 MPa</td> <td><b>Y</b></td> </tr> <tr> <td>60 psig; 4 bar; 0.4 MPa</td> <td><b>L</b></td> </tr> <tr> <td>125 psig; 8 bar; 0.8 MPa</td> <td><b>N</b></td> </tr> <tr> <td>250 psig; 17 bar; 1.7 MPa</td> <td><b>H<sup>§</sup></b></td> </tr> </table> <p><b>With square gauge</b></p> <table border="1"> <tr> <td>30* = 1</td> <td>2* = <b>V</b></td> </tr> <tr> <td>60 = 3</td> <td>4 = <b>S</b></td> </tr> <tr> <td>125 = 5</td> <td>8 = <b>T</b></td> </tr> </table>	Non-rising knob relieving	<b>N</b>	<b>With round gauge</b>		30 psig; 2 bar; 0.2 MPa	<b>Z</b>	60 psig; 4 bar; 0.4 MPa	<b>M</b>	125 psig; 8 bar; 0.8 MPa	<b>G</b>	250 psig; 17 bar; 1.7 MPa	<b>J<sup>§</sup></b>	<b>Without gauge</b>		30 psig; 2 bar; 0.2 MPa	<b>Y</b>	60 psig; 4 bar; 0.4 MPa	<b>L</b>	125 psig; 8 bar; 0.8 MPa	<b>N</b>	250 psig; 17 bar; 1.7 MPa	<b>H<sup>§</sup></b>	30* = 1	2* = <b>V</b>	60 = 3	4 = <b>S</b>	125 = 5	8 = <b>T</b>	<p><b>N G</b></p> <p><b>Lub type</b></p> <table border="1"> <tr> <td>Oil mist standard sight dome</td> <td><b>L</b></td> </tr> </table> <p><b>Drain type</b></p> <table border="1"> <tr> <td>No drain; closed end</td> <td><b>N</b></td> </tr> </table>	Oil mist standard sight dome	<b>L</b>	No drain; closed end	<b>N</b>	<p><b>W</b></p> <p><b>Mounting</b></p> <table border="1"> <tr> <td>No bracket</td> <td><b>A</b></td> </tr> <tr> <td>Port blocks</td> <td><b>C</b></td> </tr> <tr> <td>Port blocks &amp; wall brkt</td> <td><b>D</b></td> </tr> <tr> <td>Wall bracket</td> <td><b>W</b></td> </tr> </table> <p>* Regulator comes with gauge respective to the adjustment range selected. <sup>§</sup> Not available with poly bowl with bowl guard.</p>	No bracket	<b>A</b>	Port blocks	<b>C</b>	Port blocks & wall brkt	<b>D</b>	Wall bracket	<b>W</b>
F/R+L <b>A</b>	F+Fc+Fa <b>G</b>																																																																																						
F+R+L <b>B</b>	F/R+Fc <b>M</b>																																																																																						
F+Fc <b>F</b>																																																																																							
Poly bowl with bowl guard ‡	<b>G</b>																																																																																						
Metal bowl without sight gauge	<b>M*</b>																																																																																						
Metal bowl with sight gauge	<b>S</b>																																																																																						
BSPP	<b>1</b>																																																																																						
BSPT	<b>2</b>																																																																																						
NPT	<b>9</b>																																																																																						
1/4	<b>2*</b>																																																																																						
3/8	<b>3</b>																																																																																						
1/2	<b>4</b>																																																																																						
0.01μ Element	<b>C</b>																																																																																						
0.01μ Element with dpi	<b>D*</b>																																																																																						
5μ Element	<b>E</b>																																																																																						
5μ Element with dpi	<b>F*</b>																																																																																						
1μ Element	<b>9</b>																																																																																						
1μ Element with dpi	<b>Q*</b>																																																																																						
Adsorbent	<b>A</b>																																																																																						
Auto drain	<b>A</b>																																																																																						
Manual drain	<b>M</b>																																																																																						
Non-rising knob relieving	<b>N</b>																																																																																						
<b>With round gauge</b>																																																																																							
30 psig; 2 bar; 0.2 MPa	<b>Z</b>																																																																																						
60 psig; 4 bar; 0.4 MPa	<b>M</b>																																																																																						
125 psig; 8 bar; 0.8 MPa	<b>G</b>																																																																																						
250 psig; 17 bar; 1.7 MPa	<b>J<sup>§</sup></b>																																																																																						
<b>Without gauge</b>																																																																																							
30 psig; 2 bar; 0.2 MPa	<b>Y</b>																																																																																						
60 psig; 4 bar; 0.4 MPa	<b>L</b>																																																																																						
125 psig; 8 bar; 0.8 MPa	<b>N</b>																																																																																						
250 psig; 17 bar; 1.7 MPa	<b>H<sup>§</sup></b>																																																																																						
30* = 1	2* = <b>V</b>																																																																																						
60 = 3	4 = <b>S</b>																																																																																						
125 = 5	8 = <b>T</b>																																																																																						
Oil mist standard sight dome	<b>L</b>																																																																																						
No drain; closed end	<b>N</b>																																																																																						
No bracket	<b>A</b>																																																																																						
Port blocks	<b>C</b>																																																																																						
Port blocks & wall brkt	<b>D</b>																																																																																						
Wall bracket	<b>W</b>																																																																																						



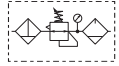
For inventory, lead time, and kit lookup, visit [www.pdnplu.com](http://www.pdnplu.com)

**Popular Combinations:** Inlet pressure 145 psig (10 bar), secondary pressure 91.3 psig (6.3 bar), 14.5 psig (1 bar) pressure drop.

**B**  
Global Air Preparation  
Introduction  
Filters  
Coalescers  
Regulators  
Filter / Regulators  
Lubricators  
Combinations  
Accessories and Kits



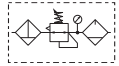
**Filter + Regulator + Lubricator Combinations, poly bowl**  
**5 micron element, 116 psig (8 bar) regulator + gauge and wall mounting brackets**



Port size	Flow	Manual drain	Auto drain
1/2"	90 scfm (43 dm³/s, ANR)	<b>P33CB94GEMNGLNW</b>	<b>P33CB94GEANGLNW</b>
3/4"	110 scfm (52 dm³/s, ANR)	<b>P33CB96GEMNGLNW</b>	<b>P33CB96GEANGLNW</b>



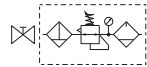
**Filter/Regulator + Lubricator Combinations, poly bowl**  
**5 micron element, 116 psig (8 bar) regulator + gauge and wall mounting brackets**



Port size	Flow	Manual drain	Auto drain
1/2"	110 scfm (52 dm³/s, ANR)	<b>P33CA94GEMNGLNW</b>	<b>P33CA94GEANGLNW</b>
3/4"	150 scfm (71 dm³/s, ANR)	<b>P33CA96GEMNGLNW</b>	<b>P33CA96GEANGLNW</b>



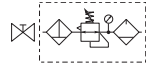
**Ball Valve + Filter + Regulator + Lubricator Combinations, poly bowl**  
**5 micron element, 116 psig (8 bar) regulator + gauge and wall mounting brackets**



Port size	Flow	Manual drain	Auto drain
1/2"	90 scfm (43 dm³/s, ANR)	<b>P33QB94GEMNGLNW</b>	<b>P33QB94GEANGLNW</b>
3/4"	110 scfm (52 dm³/s, ANR)	<b>P33QB96GEMNGLNW</b>	<b>P33QB96GEANGLNW</b>



**Ball Valve + Filter/Regulator + Lubricator Combinations, poly bowl**  
**5 micron element, 116 psig (8 bar) regulator + gauge and wall mounting brackets**



Port size	Flow	Manual drain	Auto drain
1/2"	110 scfm (52 dm³/s, ANR)	<b>P33QA94GEMNGLNW</b>	<b>P33QA94GEANGLNW</b>
3/4"	150 scfm (71 dm³/s, ANR)	<b>P33QA96GEMNGLNW</b>	<b>P33QA96GEANGLNW</b>

**Filter / Regulator coding**  
(use with codes: A M)

Filter coding (use with combo codes: B F G). For multiple filters, repeat as needed.	Regulator coding (use with combo code: B)	Lubricator coding (use with combo codes: A B)	Assembly configuration
---	--	--	------------------------

P33	C	B	9	6	G	E	M	N	G	L	N	W
<p><b>Combination</b></p> <p>B/V + Combination <b>Q</b></p> <p>Combination + B/V <b>X</b></p> <p>Combination <b>C</b></p> <p>B/V = Ball valve</p>	<p><b>Thread type</b></p> <p>BSPP <b>1</b></p> <p>BSPT <b>2</b></p> <p>NPT <b>9</b></p>	<p><b>Port size</b></p> <p>1/2 <b>4</b></p> <p>3/4 <b>6</b></p>	<p><b>Element</b></p> <p>0.01µ Element <b>C</b></p> <p>0.01µ Element with dpi <b>D*</b></p> <p>5µ Element <b>E</b></p> <p>5µ Element with dpi <b>F*</b></p> <p>1µ Element <b>9</b></p> <p>1µ Element with dpi <b>Q*</b></p> <p>Adsorber <b>A</b></p>	<p><b>Relief / Adjustment</b></p> <p>Non-rising knob relieving <b>N</b></p>	<p><b>Adjustment range</b></p> <p><b>With round gauge</b></p> <p>30 psig; 2 bar; 0.2 MPa <b>Z</b></p> <p>60 psig; 4 bar; 0.4 MPa <b>M</b></p> <p>125 psig; 8 bar; 0.8 MPa <b>G</b></p> <p>250 psig; 17 bar; 1.7 MPa <b>J*</b></p> <p><b>Without gauge</b></p> <p>30 psig; 2 bar; 0.2 MPa <b>Y</b></p> <p>60 psig; 4 bar; 0.4 MPa <b>L</b></p> <p>125 psig; 8 bar; 0.8 MPa <b>N</b></p> <p>250 psig; 17 bar; 1.7 MPa <b>H*</b></p>	<p><b>Lub type</b></p> <p>Oil mist standard sight dome <b>L</b></p>	<p><b>Drain type</b></p> <p>No drain; closed end <b>N</b></p>	<p><b>Mounting</b></p> <p>No bracket <b>A</b></p> <p>Port blocks <b>C</b></p> <p>Port blocks &amp; wall brkt <b>D</b></p> <p>Wall bracket <b>W</b></p>				
<p><b>Combination type*</b></p> <p>F/R+L <b>A</b> F+Fc+Fa <b>G</b></p> <p>F+R+L <b>B</b> F/R+Fc <b>M</b></p> <p>F+Fc <b>F</b></p> <p>* Combination type</p> <p>F = 5µ</p> <p>Fc1 = 1µ</p> <p>Fc = .01µ</p> <p>Fa = Adsorber</p>	<p><b>Bowl type †</b></p> <p>Poly bowl with bowl guard <b>G</b></p> <p>Metal bowl without sight gauge <b>M*</b></p> <p>Metal bowl with sight gauge <b>S</b></p> <p>† Not available when using lubricator.</p> <p><b>Note:</b> All bowl types are the same for each component.</p> <p><b>Example:</b> If a "G" is specified for a F+L, both units would get a poly bowl with bowl guard.</p>	<p><b>Drain type</b></p> <p>Auto drain <b>A</b></p> <p>Manual drain <b>M</b></p>	<p>* Not available with F/R.</p>	<p>* Not available with poly bowl with bowl guard.</p>								

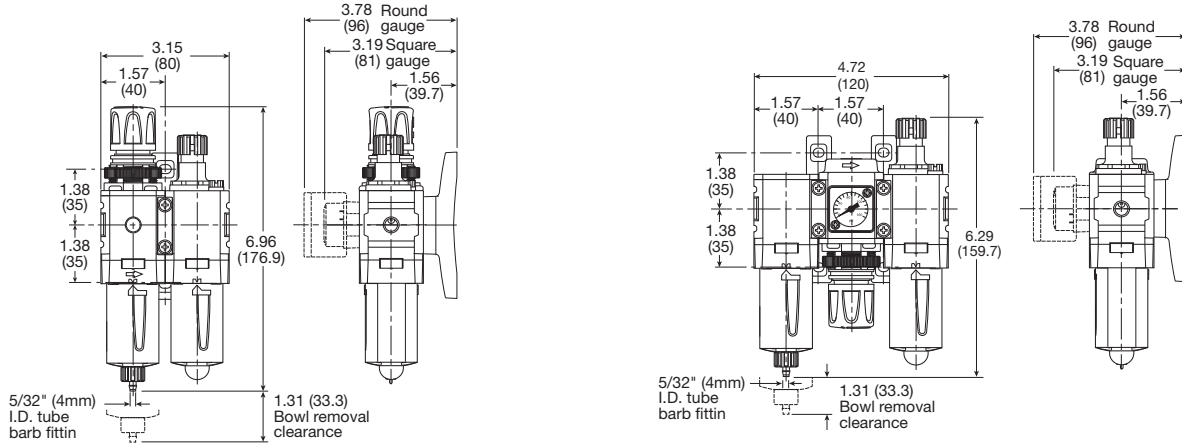


For inventory, lead times, and kit lookup, visit [www.pdnplu.com](http://www.pdnplu.com)

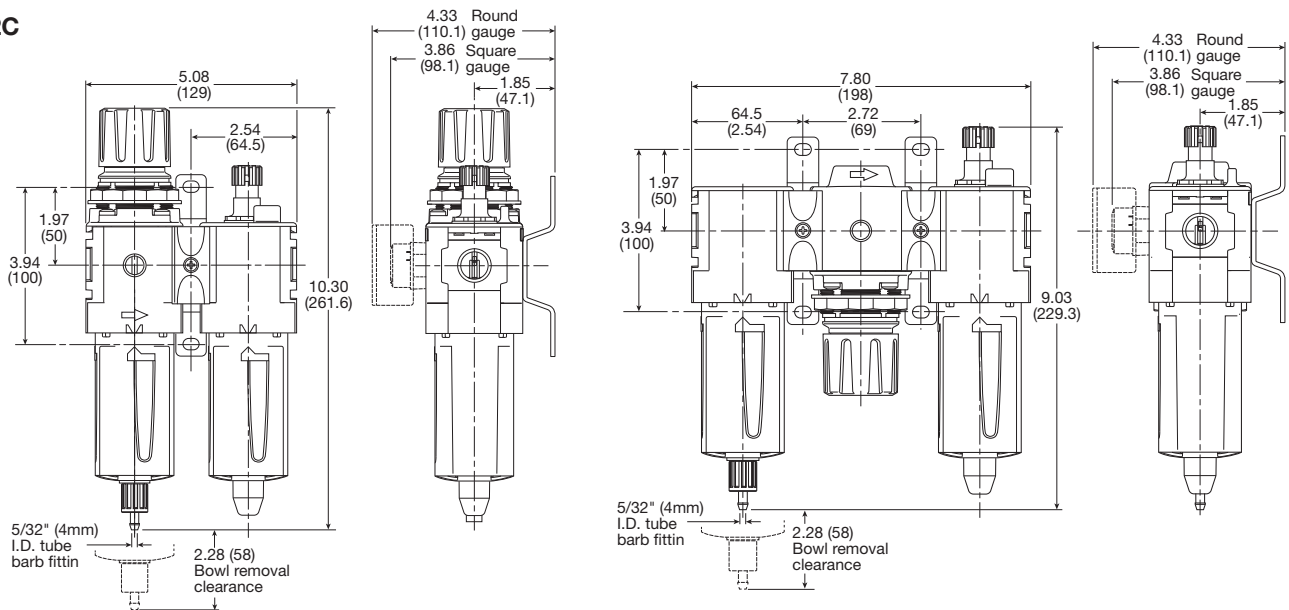


Popular Combination Dimensions inches (mm)

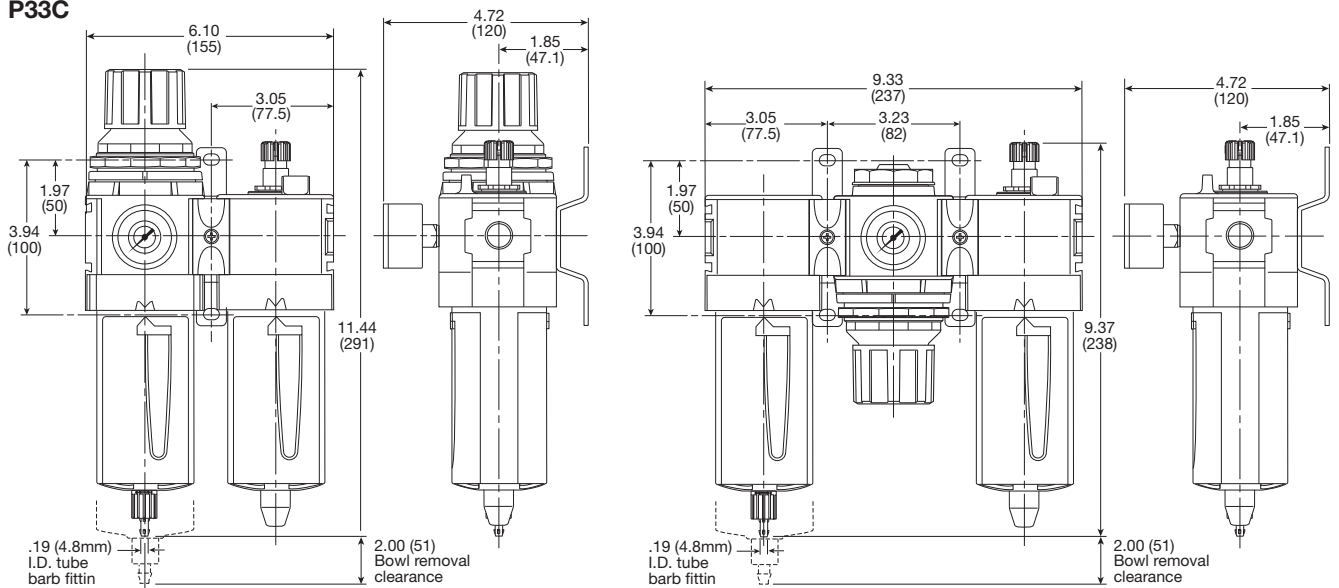
P31C



P32C



P33C



B

Global Air Preparation

Introduction

Filters

Coalescers

Regulators

Filter/Regulators

Lubricators

Combinations

Accessories and Kits



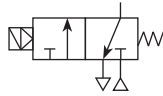
For inventory, lead time, and kit lookup, visit [www.pdnplu.com](http://www.pdnplu.com)

B59

Parker Hannifin Corporation  
Pneumatic Division  
Richland, Michigan  
[www.parker.com/pneumatics](http://www.parker.com/pneumatics)

## P31D & P32D Dump Valves

- Modular design with 1/4" or 1/2" integral ports (NPT, BSPP & BSPT)
- The 3-way, 2-position function automatically dumps downstream pressure on the loss of pilot signal
- Solenoid or air pilot options
- High flow & exhaust capability
- Silencer included



Remotely operated dump valves automatically shut off upstream pressure and exhaust the downstream pressure when the pilot pressure is released.

To maintain these units in the open position a pilot supply to the air pilot operated version or an electrical signal to the solenoid operated version must be maintained.

The valve will automatically dump when the holding signal is removed.

Port size	Description	Weight lbs (kg)	Part number
1/4"	120VAC Solenoid & cable plug	0.8 (0.37)	<b>P31DA92SGNC1FN</b>
1/4"	24VDC Solenoid & cable plug †	0.9 (0.41)	<b>P31DA92SGNC2CN</b>
1/4"	External air pilot operated	0.8 (0.37)	<b>P31DA92PPN</b>
1/2"	120VAC 30mm coil & cable plug incl. †	1.5 (0.69)	<b>P32DA94SCNA3GN</b>
1/2"	24VDC 30mm coil & cable plug incl. †	2.0 (0.91)	<b>P32DA94SCNA2CN</b>
1/2"	External air pilot operated †	1.9 (0.87)	<b>P32DA94PPN</b>

† Includes exhaust silencer

### Operating information

Flow capacity*:	P31D	36 scfm (17 dm <sup>3</sup> /s, ANR)
	P32D	108 scfm (51 dm <sup>3</sup> /s, ANR)
Temperature range (max)†:	Solenoid operated	14°F to 122°F (-10°C to 50°C)
	Air pilot operated	-4°F to 176°F (-20°C to 80°C)
	Pressure (max):	
Solenoid operated	150 psig (10 bar)	
Air pilot operated	250 psig (17 bar)	
Operating pressure (min):	44 psig (3 bar)	
Fluid:	Compressed air	
Ports:	Air pilot	1/8"
	Exhaust	P31D - 1/4"; P32D - 1/2"
	Gauge	P31D - 1/8"; P32D - 1/4"

\* Inlet pressure 91.3 psig (6.3 bar), inlet pressure and 14.5 psig (1 bar) pressure drop.

† Air supply must be dry enough to avoid ice formation at temperatures below 35.6°F (2°C). Snap pressure: Full flow when downstream pressure reaches 50% of the inlet pressure.

### Ordering Information:

P31DA
9
2
S
G
N

**Solenoid type only**  
C
2CN

<div style="border: 1px solid black; padding: 5px; margin-bottom: 5px;"><b>Body size</b></div> <table style="width: 100%; border-collapse: collapse;"> <tr> <td style="border: 1px solid black; padding: 2px;">Dump valve (1/4")</td> <td style="border: 1px solid black; padding: 2px;">P31DA</td> </tr> <tr> <td style="border: 1px solid black; padding: 2px;">Dump valve (1/2")</td> <td style="border: 1px solid black; padding: 2px;">P32DA</td> </tr> </table> <div style="border: 1px solid black; padding: 5px; margin-bottom: 5px;"><b>Thread type</b></div> <table style="width: 100%; border-collapse: collapse;"> <tr> <td style="border: 1px solid black; padding: 2px;">BSPP</td> <td style="border: 1px solid black; padding: 2px;">1</td> </tr> <tr> <td style="border: 1px solid black; padding: 2px;">BSPT</td> <td style="border: 1px solid black; padding: 2px;">2</td> </tr> <tr> <td style="border: 1px solid black; padding: 2px;">NPT</td> <td style="border: 1px solid black; padding: 2px;">9</td> </tr> </table> <div style="border: 1px solid black; padding: 5px; margin-bottom: 5px;"><b>Port size</b></div> <table style="width: 100%; border-collapse: collapse;"> <tr> <td style="border: 1px solid black; padding: 2px;">Global modular mini (1/4")</td> <td style="border: 1px solid black; padding: 2px;">2</td> </tr> <tr> <td style="border: 1px solid black; padding: 2px;">Global modular compact (1/2")</td> <td style="border: 1px solid black; padding: 2px;">4</td> </tr> </table>	Dump valve (1/4")	P31DA	Dump valve (1/2")	P32DA	BSPP	1	BSPT	2	NPT	9	Global modular mini (1/4")	2	Global modular compact (1/2")	4	<div style="border: 1px solid black; padding: 5px; margin-bottom: 5px;"><b>Actuator interface</b></div> <table style="width: 100%; border-collapse: collapse;"> <tr> <td style="border: 1px solid black; padding: 2px;">G 15mm solenoid (P31 only)</td> </tr> <tr> <td style="border: 1px solid black; padding: 2px;">C 30mm solenoid</td> </tr> <tr> <td style="border: 1px solid black; padding: 2px;">P Threaded air pilot</td> </tr> </table> <div style="border: 1px solid black; padding: 5px; margin-bottom: 5px;"><b>Pilot type</b></div> <table style="width: 100%; border-collapse: collapse;"> <tr> <td style="border: 1px solid black; padding: 2px;">P External air pilot</td> </tr> <tr> <td style="border: 1px solid black; padding: 2px;">S Solenoid pilot</td> </tr> </table>	G 15mm solenoid (P31 only)	C 30mm solenoid	P Threaded air pilot	P External air pilot	S Solenoid pilot	<div style="border: 1px solid black; padding: 5px; margin-bottom: 5px;"><b>Solenoid voltage</b></div> <table style="width: 100%; border-collapse: collapse;"> <tr> <td style="border: 1px solid black; padding: 2px;">2CN 24VDC non locking manual override</td> </tr> <tr> <td style="border: 1px solid black; padding: 2px;">3GN 120VAC non locking manual override</td> </tr> <tr> <td style="border: 1px solid black; padding: 2px;">1FN 120VAC non locking manual override (P31 series only)</td> </tr> </table> <div style="border: 1px solid black; padding: 5px; margin-bottom: 5px;"><b>Solenoid type</b></div> <table style="width: 100%; border-collapse: collapse;"> <tr> <td style="border: 1px solid black; padding: 2px;">C 15mm (P31 series only)</td> </tr> <tr> <td style="border: 1px solid black; padding: 2px;">A 30mm CNOMO coil (P32 only)</td> </tr> <tr> <td style="border: 1px solid black; padding: 2px;">D 30mm CNOMO coil (M12 connection) (P32 only)</td> </tr> </table>	2CN 24VDC non locking manual override	3GN 120VAC non locking manual override	1FN 120VAC non locking manual override (P31 series only)	C 15mm (P31 series only)	A 30mm CNOMO coil (P32 only)	D 30mm CNOMO coil (M12 connection) (P32 only)
Dump valve (1/4")	P31DA																										
Dump valve (1/2")	P32DA																										
BSPP	1																										
BSPT	2																										
NPT	9																										
Global modular mini (1/4")	2																										
Global modular compact (1/2")	4																										
G 15mm solenoid (P31 only)																											
C 30mm solenoid																											
P Threaded air pilot																											
P External air pilot																											
S Solenoid pilot																											
2CN 24VDC non locking manual override																											
3GN 120VAC non locking manual override																											
1FN 120VAC non locking manual override (P31 series only)																											
C 15mm (P31 series only)																											
A 30mm CNOMO coil (P32 only)																											
D 30mm CNOMO coil (M12 connection) (P32 only)																											

Note: P32 unit used for both P32 & P33 series

Most popular.



For inventory, lead times, and kit lookup, visit [www.pdnplu.com](http://www.pdnplu.com)

B60

**Parker Hannifin Corporation**  
 Pneumatic Division  
 Richland, Michigan  
[www.parker.com/pneumatics](http://www.parker.com/pneumatics)

# Dump Valves

## Material Specifications

Body	Aluminum
Body cover	Polyester
Seals	Nitrile NBR

## Mounting Brackets

	Description	Part number
P31	L-bracket mounting kit	P3HKA00ML
P31	Foot bracket mounting kit	P3HKA00MC

**Note:**

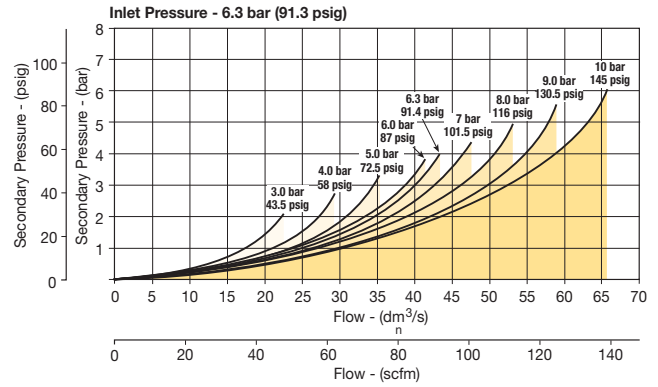
For solenoid operators and cable plugs (connectors) see page B79 and B80.

# Air Preparation Products

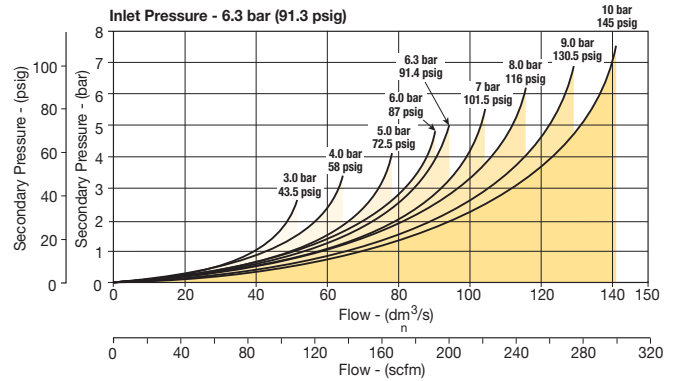
## Global Air Preparation

## Flow Charts

**P31DA 1/4" Remote Dump Valve**

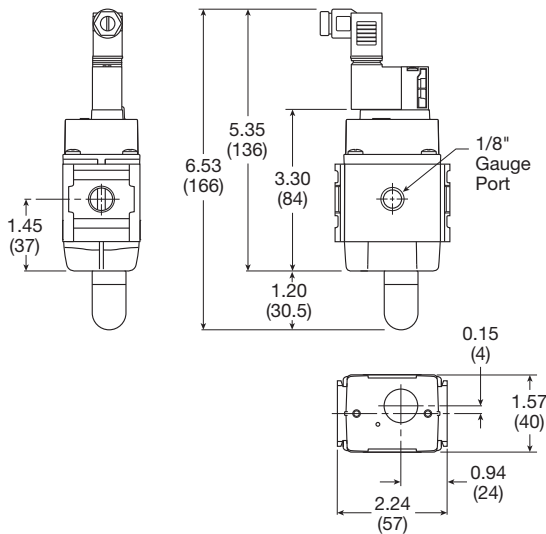


**P32DA 1/2" Remote Dump Valve**

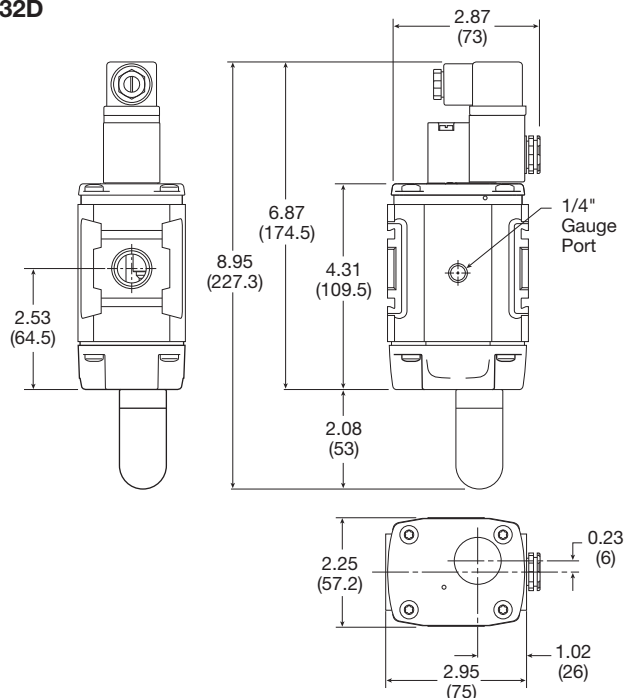


## Dimensions inches (mm)

**P31D**



**P32D**



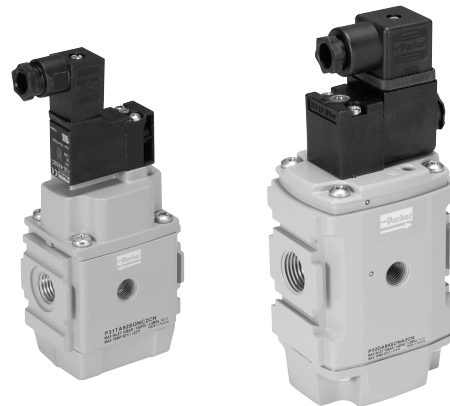
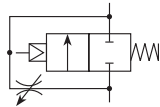
Most popular.



For inventory, lead time, and kit lookup, visit [www.pdnplu.com](http://www.pdnplu.com)

## P31S & P32S Soft Start Valves

- Modular design with 1/4" or 1/2" integral ports (NPT, BSPP & BSPT)
- The 2-way, 2-position function provides for the safe introduction of pressure
- Adjustable slow start
- Solenoid or air pilot options
- High flow



Parker Global Series Soft Start Valves, provide for the safe introduction of pressure to machines or systems. Soft Start Valves, allow the pressure to gradually build to the set point before fully opening to deliver full flow at line pressure.

The controlled introduction of pressure can be an important safety factor and prevent damage to tooling when air pressure is introduced at machine or system start up.

**Note:** Soft Start Valves must be installed downstream of a 3/2 valve with exhaust capability

Port size	Description	Weight lbs (kg)	Part number
1/4"	120VAC Solenoid & cable plug	0.8 (0.37)	<b>P31SA92SGNC1FN</b>
1/4"	24VDC Solenoid & cable plug	0.9 (0.41)	<b>P31SA92SGNC2CN</b>
1/4"	Internal air pilot operated	0.8 (0.37)	<b>P31SA92Y0N</b>
1/4"	External air pilot (1/8" threaded)	0.8 (0.37)	<b>P31SA92PPN</b>
1/2"	120VAC 30mm coil & cable plug incl.	1.5 (0.87)	<b>P32SA94SCNA3GN</b>
1/2"	24VDC 30mm coil & cable plug	2.0 (0.90)	<b>P32SA94SCNA2CN</b>
1/2"	Internal air pilot operated	2.0 (0.90)	<b>P32SA94Y0N</b>
1/2"	External air pilot (1/8 threaded)	1.5 (0.87)	<b>P32SA94PPN</b>

### Operating information

Flow capacity*:	P31S	36 scfm (17 dm <sup>3</sup> /s, ANR)
	P32S	101 scfm (48 dm <sup>3</sup> /s, ANR)
Temperature range (max)†:		
Solenoid operated		14°F to 122°F (-10°C to 50°C)
Air pilot operated		-4°F to 176°F (-20°C to 80°C)
Pressure (max):		
Solenoid operated		150 psig (10 bar)
Air pilot operated		250 psig (7 bar)
Operating pressure (min):		44 psig (3 bar)
Fluid:		Compressed air
Ports:	Air pilot	1/8
	Gauge	P31S - 1/8; P32S - 1/4

\* Inlet pressure 91.3 psig (6.3 bar), inlet pressure and 14.5 psig (1 bar) pressure drop.

† Air supply must be dry enough to avoid ice formation at temperatures below 35.6°F (2°C). Snap pressure: Full flow when downstream pressure reaches 50% of the inlet pressure.

### Ordering Information:

P31SA 9 2 S G N

**Body size**

Soft start	P31SA
Soft start	P32SA

**Thread type**

BSPP	1
BSPT	2
NPT	9

**Actuator interface**

0	Internal pilot
G	15mm solenoid (P31 only)
C	30mm solenoid
P	Threaded air pilot

**Solenoid voltage**

2CN	24VDC non locking manual override
3GN	120VAC non locking manual override
1FN	120VAC non locking manual override (P31 series only)

**Port size**

Global modular mini (1/4")	2
Global modular compact (1/2")	4

**Pilot type**

P	External air pilot
S	Solenoid pilot
Y	Internal air pilot

**Solenoid type**

C	15mm (P31 series only)
A	30mm CNOMO coil (P32 only)
D	30mm CNOMO coil (M12 connection) (P32 only)

**Note:** P32 unit used for both P32 & P33 series

Most popular.



For inventory, lead times, and kit lookup, visit [www.pdnplu.com](http://www.pdnplu.com)



B62

**Parker Hannifin Corporation**  
 Pneumatic Division  
 Richland, Michigan  
[www.parker.com/pneumatics](http://www.parker.com/pneumatics)

**Material Specifications**

Body	Aluminum
Body cover	Polyester
Seals	Nitrile NBR

**Mounting Brackets**

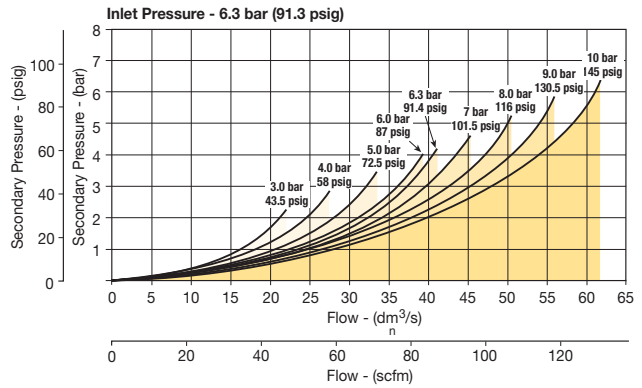
	Description	Part number
		<b>P31S</b>
	L-bracket mounting kit	<b>P3HKA00ML</b>
	Foot bracket mounting kit	<b>P3HKA00MC</b>

**Note:**

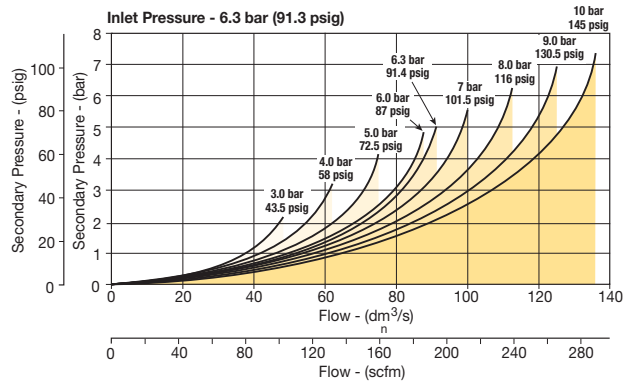
For solenoid operators and cable plugs (connectors) see page B79 and B80.

**Flow Charts**

**P31SA 1/4" Soft Start Valve**

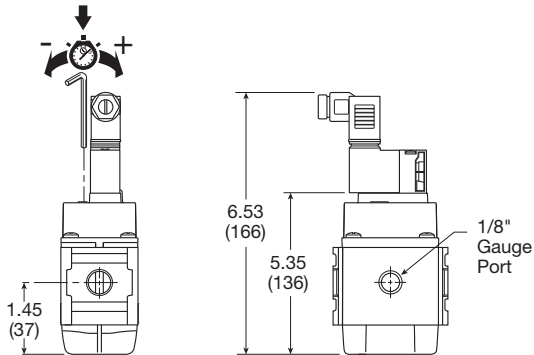


**P32SA 1/2" Soft Start Valve**

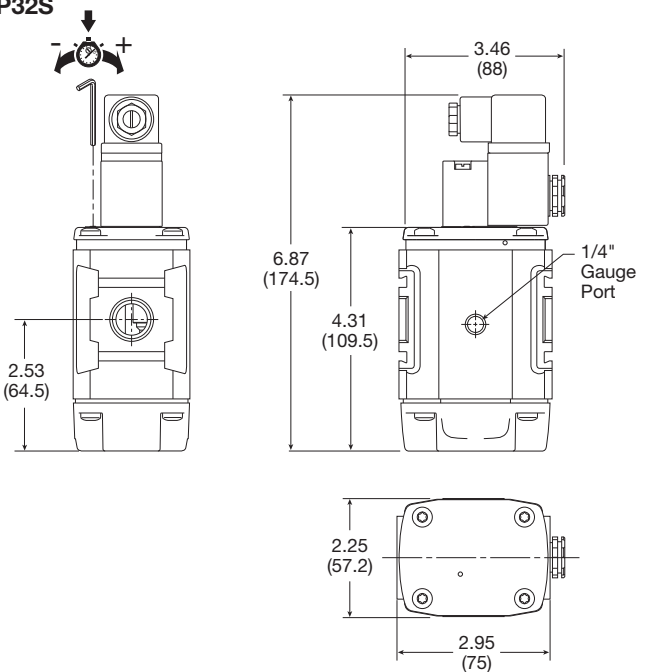


**Dimensions inches (mm)**

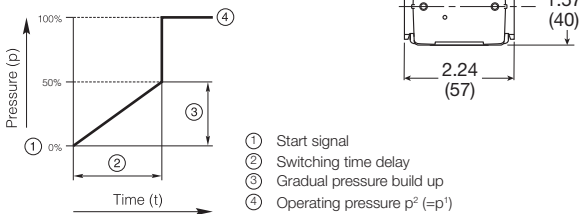
**P31S**



**P32S**



**Soft Start Function:**



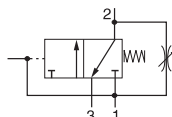
- ① Start signal
- ② Switching time delay
- ③ Gradual pressure build up
- ④ Operating pressure  $p^2 (=p')$



For inventory, lead time, and kit lookup, visit [www.pdnplu.com](http://www.pdnplu.com)

**P31T & P32T Combined Soft Start / Dump Valves**

- Modular design with 1/4" or 1/2" integral ports (NPT, BSPP & BSPT)
- Provides for the safe introduction of pressure
- The 3-way, 2-position function automatically dumps downstream pressure on the loss of pilot signal
- Adjustable slow start
- Solenoid or air pilot options
- High flow & exhaust capability
- Silencer included



Parker Global Series Combined Soft Start / Dump Valves, provide for the safe introduction of pressure to machines or systems. Soft Start / Dump Valves when set, allow the pressure to gradually build to the set point before fully opening to deliver full flow at line pressure.

The controlled introduction of pressure can be an important safety factor and prevent damage to tooling when air pressure is introduced at machine or system start up.

To maintain these units in the open position a pilot supply to the air pilot operated version or an electrical signal to the solenoid operated version must be maintained. The valve will automatically dump when the holding signal is removed.

Port size	Description	Weight lbs (kg)	Part number
1/4"	120VAC Solenoid & cable plug	0.8 (0.37)	<b>P31TA92SGNC1FN</b>
1/4"	24VDC Solenoid & cable plug	0.9 (0.41)	<b>P31TA92SGNC2CN</b>
1/4"	External air pilot operated	0.8 (0.37)	<b>P31TA92PPN</b>
1/2"	120VAC 30mm coil & cable plug incl.	1.9 (0.87)	<b>P32TA94SCNA3GN</b>
1/2"	24VDC 30mm coil & cable plug incl.	2.0 (0.91)	<b>P32TA94SCNA2CN</b>
1/2"	External air pilot operated	1.9 (0.87)	<b>P32TA94PPN</b>

**Operating information**

Flow capacity*:	P31T	36 scfm (17 dm <sup>3</sup> /s, ANR)
	P32T	108 scfm (51 dm <sup>3</sup> /s, ANR)
Temperature range (max)†:		
	Solenoid operated	14°F to 122°F (-10°C to 50°C)
	Air pilot operated	-4°F to 176°F (-20°C to 80°C)
Pressure (max):		
	Solenoid operated	150 psig (10 bar)
	Air pilot operated	250 psig (7 bar)
Operating pressure (min):		44 psig (3 bar)
Fluid:		Compressed air
Ports:	Air pilot	1/8
	Exhaust	P31T - 1/4; P32T - 1/2
	Gauge	P31T - 1/8; P32T - 1/4

\* Inlet pressure 91.3 psig (6.3 bar), inlet pressure and 14.5 psig (1 bar) pressure drop.

† Air supply must be dry enough to avoid ice formation at temperatures below 35.6°F (2°C). Snap pressure: Full flow when downstream pressure reaches 50% of the inlet pressure.

**Ordering Information:**

**P31TA 9 2 S G N C 2CN**

<b>Body size</b>	<b>Actuator interface</b>	<b>Solenoid voltage</b>
Soft start / dump valve (1/4") P31TA	G 15mm solenoid (P31 only)	2CN 24VDC non locking manual override
Soft start / dump valve (1/2") P32TA	C 30mm solenoid	3GN 120VAC non locking manual override
	P Threaded air pilot	1FN 120VAC non locking manual override (P31 series only)
<b>Thread type</b>	<b>Pilot type</b>	<b>Solenoid type</b>
BSPP 1	P External air pilot	C 15mm (P31 series only)
BSPT 2	S Solenoid pilot	A 30mm CNOMO coil (P32 only)
NPT 9		D 30mm CNOMO coil (M12 connection) (P32 only)
<b>Port size</b>		
Global modular mini (1/4") 2		
Global modular compact (1/2") 4		

Note: P32 unit used for both P32 & P33 series

Most popular.

**B**  
Global Air  
Preparation

Introduction

Filters

Coalescers

Regulators

Filter /  
Regulators

Lubricators

Combinations

Accessories  
and Kits



For inventory, lead times, and kit lookup, visit [www.pdnplu.com](http://www.pdnplu.com)

B64


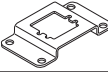
**Parker Hannifin Corporation**  
Pneumatic Division  
Richland, Michigan  
[www.parker.com/pneumatics](http://www.parker.com/pneumatics)

# Combined Soft Start / Dump Valves

## Material Specifications

Body	Aluminum
Body cover	Polyester
Seals	Nitrile NBR

## Mounting Brackets

	Description	Part number
	L-bracket mounting kit	<b>P31T</b>
P31		<b>P3HKA00ML</b>
	Foot bracket mounting kit	<b>P3HKA00MC</b>
P31		

**Note:**

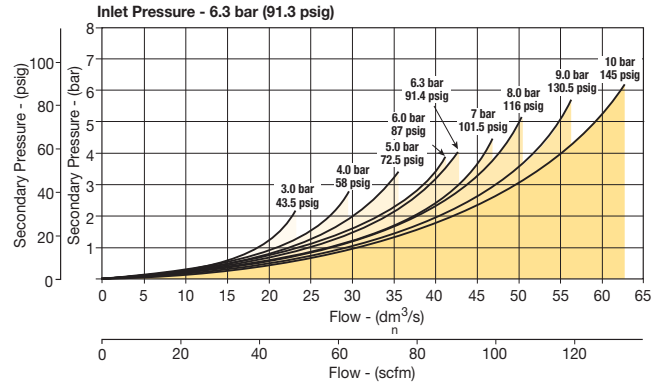
For solenoid operators and cable plugs (connectors) see page B79 and B80.

# Air Preparation Products

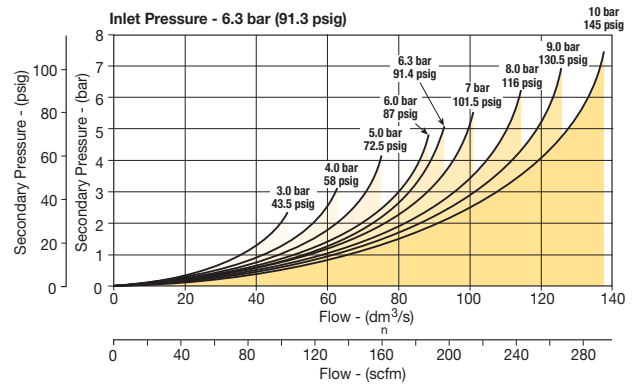
## Global Air Preparation

## Flow Charts

### P31TA 1/4" Soft Start & Dump Valve

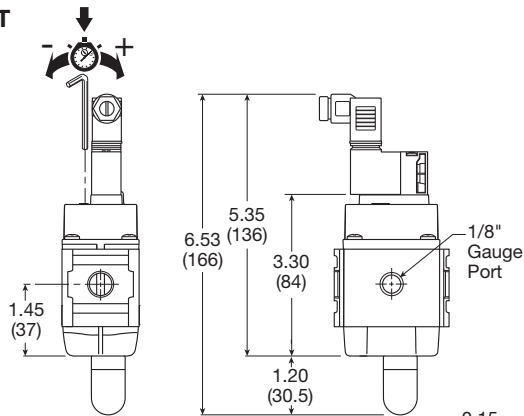


### P32TA 1/2" Soft Start & Dump Valve

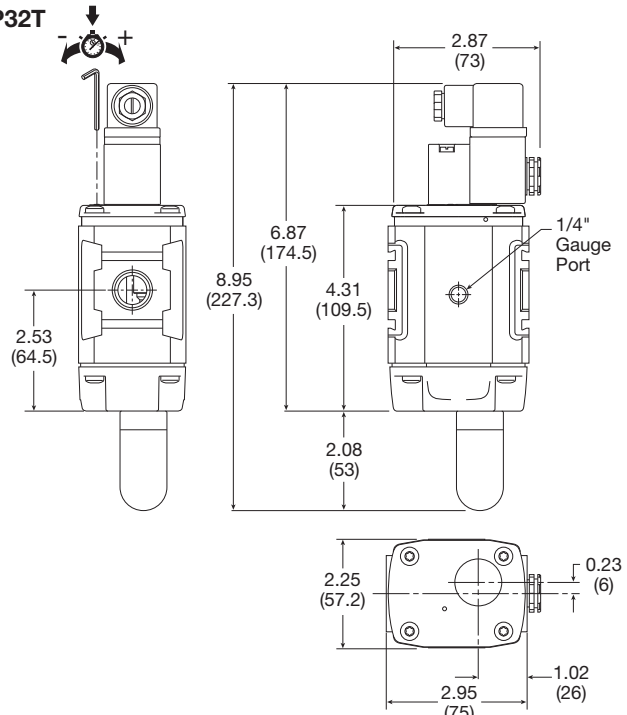


## Dimensions inches (mm)

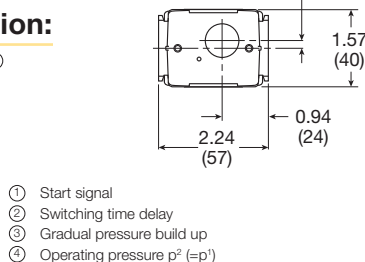
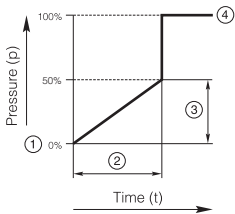
### P31T



### P32T



## Soft Start Function:



- ① Start signal
- ② Switching time delay
- ③ Gradual pressure build up
- ④ Operating pressure  $p^2 (=p^1)$



For inventory, lead time, and kit lookup, visit [www.pdnplu.com](http://www.pdnplu.com)

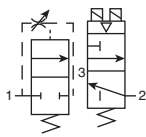
# P33T Redundant Safety Exhaust Valve

- Proven control reliable technology with integrated soft start
- Soft start application of air to the system when energized; can be adjusted for slower or faster buildup of system pressure
- Rapid exhaust of downstream air when de-energized to remove stored energy and allow safe access
- Memory, monitoring, and air flow control functions are integrated into two identical valve elements. Valves lock-out if asynchronous movement of valve elements occurs during actuation or de-actuation, resulting in a residual outlet pressure of less than 1% of supply.
- Reset can only be accomplished by the integrated electrical (solenoid) reset. Cannot be reset by removing and re-applying supply pressure.
- Basic 3/2 normally closed valve function: Dirt tolerant, wear compensating poppet design for quick response and high flow capacity.
- LED indicators of main solenoid operation, reset solenoid operation, and status indicator condition.
- Optional transducer for monitoring of downstream pressure in the system.
- Dual exhaust silencers included.
- Not for use with clutch / brake applications.
- For use in conjunction with a safety relay or safety PLC.



## Operating information

Pilot Solenoids:	According to VDE 0580
Enclosure rating:	According to DIN 400 50 IP65
Connector socket:	According to DIN 43650 Form A Three solenoids, rated for continuous duty
Standard voltages:	24VDC
Power consumption (each solenoid), for primary & reset solenoids:	1.2 Watts on DC
Enclosure rating:	IP65, IEC 60529
Electrical connection:	M12, 5-pin
Ambient temperature:	15°F to 122°F (-10°C to 50°C)
Media temperature:	40°F to 175°F (4°C to 80°C)
Flow media:	Compressed Air, Filtered to Minimum 40 Micron
Inlet pressure:	30 to 150 psig (2 to 10 bar)
Monitoring:	Dynamically, cyclically, internally during each actuating and de-actuating movement. Monitoring function has memory and requires an overt act to reset unit after lockout.
Mounting orientation:	Vertically with pilot solenoids on top
Port threads:	3/4 NPT, 3/4 BSPP
Control reliable:	Category 4 (Cat 4); performance Level e (PLe) in accordance with Machine directive - EN ISO 13849-1 (Certification pending)
Weight:	16.1 lb (7.3 kg) w/o transducer 16.3 lb (7.4 kg) w/ transducer



Port size			Cv		Part number*
Inlet	Outlet	Transducer	1 to 2	2 to 3	
3/4	3/4	w/o transducer	3.7	8.5	<b>P33TA96RG4F2CN</b>
3/4	3/4	w/ transducer	3.7	8.5	<b>P33TA96RG4G2CN</b>

\* NPT port threads. For BSPP threads, replace "9" in the part number with a "1".

## Ordering Information:

<b>P33TA</b>	<b>9</b>	<b>6 R</b>	<b>G 4</b>	<b>F</b>	<b>2CN</b>
<b>Body size</b> Standard P33T	<b>Port size</b> 3/4" 6	<b>Operator</b> 15mm Solenoid G	<b>Solenoid</b> Dual M12 connector without transducer F Triple M12 connector with transducer G	<b>Voltage</b> 24VDC with manual override 2CN	
<b>Thread type</b> BSPP 1 NPT 9	<b>Type</b> Solenoid pilot + gauge R	<b>Mounting</b> Cat 4 w/bracket 4			

Most popular.



For inventory, lead times, and kit lookup, visit [www.pdnplu.com](http://www.pdnplu.com)

B66

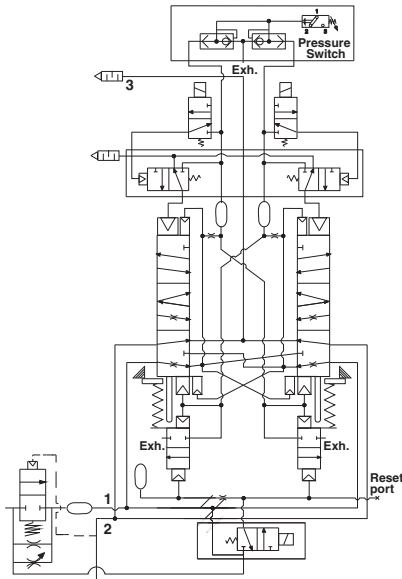
**Parker Hannifin Corporation**  
Pneumatic Division  
Richland, Michigan  
[www.parker.com/pneumatics](http://www.parker.com/pneumatics)

**B**  
 Global Air Preparation  
 Introduction  
 Filters  
 Coalescers  
 Regulators  
 Filter / Regulators  
 Lubricators  
 Combinations  
 Accessories and Kits

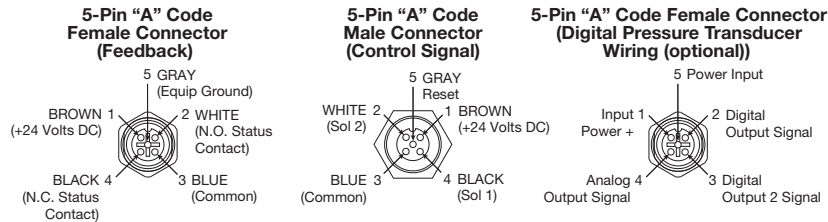


**Repair and Service Kits**

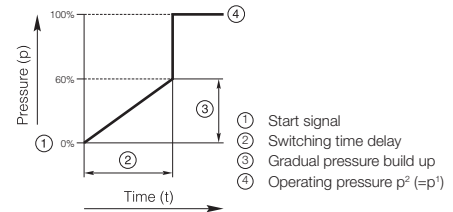
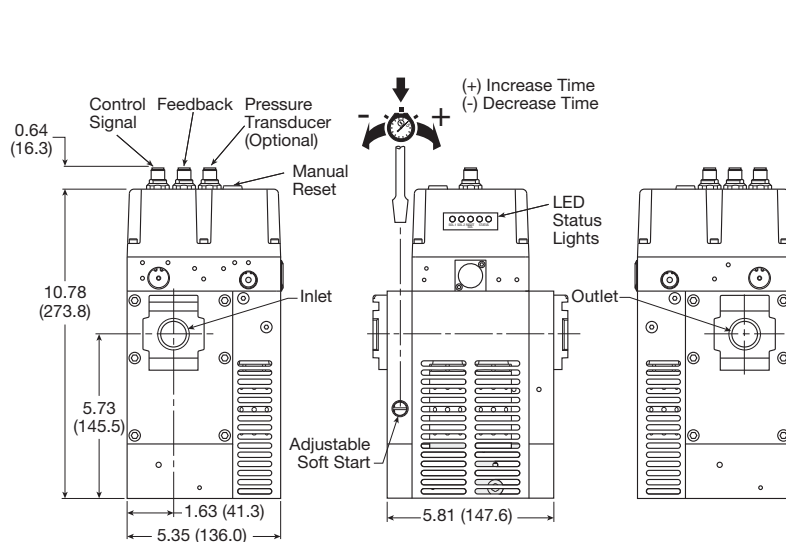
Black grill	<b>1834C05-001</b>
Body connector	<b>P32KA00CB</b>
M12, 5-pin female to flying lead cable, TPE; 6.6 ft (2 m)	<b>RKC 4.5T-2/S1587</b>
M12, 5-pin male to flying lead cable, TPE; 6.6 ft (2 m)	<b>RSC 4.5T-2/S1587</b>
1/2 NPT, port block kit	<b>P32KA94CP</b>
3/4 NPT, port block kit	<b>P32KA96CP</b>
1/2 BSPP, port block kit	<b>P32KA14CP</b>
3/4 BSPP, port block kit	<b>P32KA16CP</b>
1/2 BSPT, port block kit	<b>P32KA24CP</b>
3/4 BSPT, port block kit	<b>P32KA26CP</b>
Pressure switch	<b>1227A30-001</b>
Pressure transducer (optional)	<b>1232H30-001</b>
T-bracket w/ body connector	<b>P32KA00MT</b>
T-bracket (fits to body connector or port block)	<b>P32KA00MB</b>
Silencer(s) 3/4"	<b>5500A5013</b>
Solenoid (main & reset)	<b>1527B7916-001</b>
Square flush mounting gauge kit, 0-160 psig	<b>K4511SCR160</b>



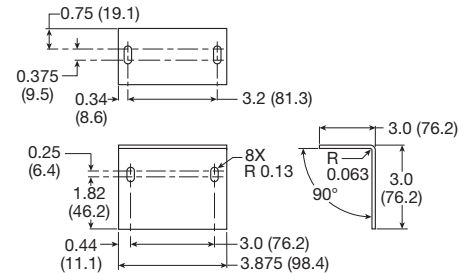
**Valve Wiring**



**Dimensions inches (mm)**



**Angle Mounting Bracket**



**Note:** Mounting bracket and installation screws included and required to install unit in the system.



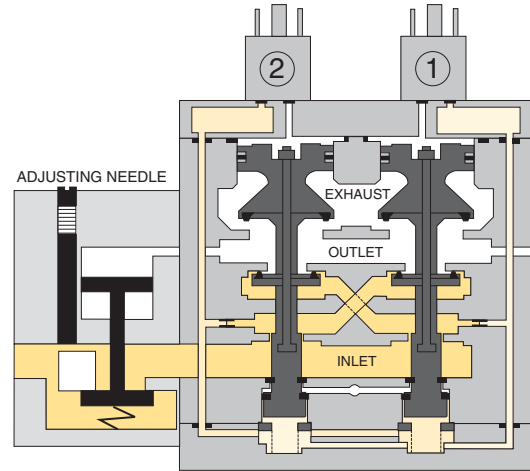
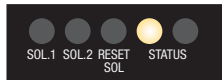
For inventory, lead time, and kit lookup, visit [www.pdnplu.com](http://www.pdnplu.com)

B67

**Valve de-actuated (ready-to-run):**

The flow of inlet air pressure to the inlet chamber of the main valve internals is restricted by a fixed orifice and an adjustable flow control as well as an air piloted 2-way normally closed poppet valve. The flow of inlet air pressure into the crossover passages is restricted by the size of the passage between the stem and the valve body opening. Flow is sufficient to quickly pressurize pilot supply / timing chambers 1 and 2. The inlet poppets prevent air flow from crossover passages into the outlet chamber. Air pressure acting on the inlet poppets and return pistons securely hold the valve elements in the closed position. (Reset adapter omitted for clarity.)

The green "Status" LED will be illuminated indicating the valve is operational.

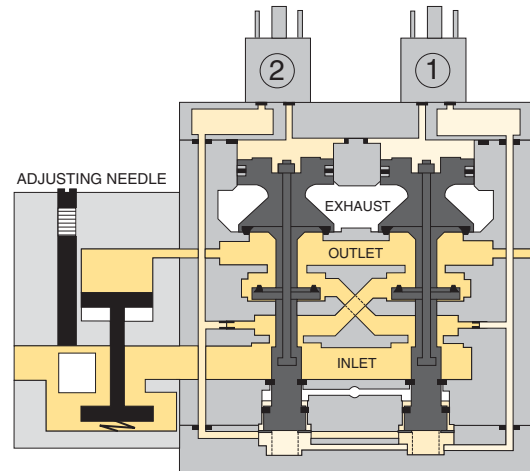
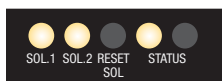


**Valve actuated:**

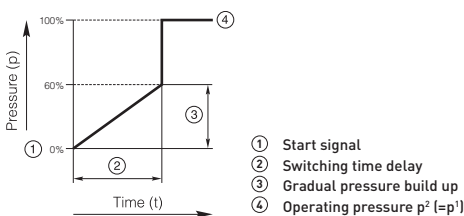
Energizing the pilot valves simultaneously applies pressure to both pistons, forcing the internal parts to move to their actuated (open) position, where inlet air flow to crossover passages is fully open, inlet poppets are fully open and exhaust poppets are fully closed. The outlet is then pressurized at a rate allowed by the fixed orifice and the adjusted flow control. Once the air pressure in the outlet chamber reaches approximately 60% of inlet pressure, the air piloted 2-way normally closed poppet valve opens fully and the pressure in the inlet, crossovers, outlet, and timing chambers are quickly equalized. The adjustable flow control will control the time it takes for the outlet air pressure to reach approximately 60% of inlet pressure.

De-energizing the pilots quickly causes the valve elements to return to the ready-to-run position.

Solenoid 1, Solenoid 2 and the green "Status" LED's will be illuminated indicating the valve is operating properly.



**Soft start function:**



**Global Air Preparation**

Introduction

Filters

Coalescers

Regulators

Filter / Regulators

Lubricators

Combinations

Accessories and Kits



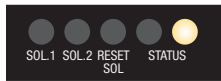
For inventory, lead times, and kit lookup, visit [www.pdnplu.com](http://www.pdnplu.com)

**Valve fault and lock-out:**

Whenever the valve elements operate in a sufficiently asynchronous manner, either on actuation or de-actuation, the valve will move to a locked-out position. In the locked-out position, one crossover and its related timing chamber will be exhausted, and the other crossover and its related timing chamber will be fully pressurized. The valve element (side 2) that is partially actuated has pilot air available to fully actuate it, but no air pressure on the return piston to fully de-actuate the valve element.

Air pressure in the crossover acts on the differential of side 2 stem diameters creating a latching force. Side 1 is in a fully closed position, and has no pilot air available to actuate, but has full pressure on the inlet poppet and return piston to hold the element in the fully closed position. Inlet air flow on side 1 into its crossover is restricted, and flows through the open inlet poppet on side 2, through the outlet into the exhaust port, and from the exhaust port to atmosphere. Residual pressure in the outlet is less than 1% of inlet pressure. The return springs are limited in travel, and can only return the valve elements to the intermediate (locked-out) position. Sufficient air pressure acting on the return pistons is needed to return the valve elements to a fully closed position.

The red "Status" LED will be illuminated indicating the valve in fault and lock-out must be reset



**Valve reset (electrical or manual):**

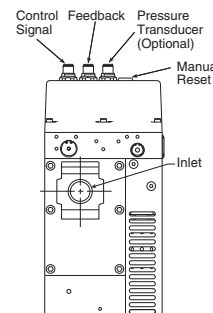
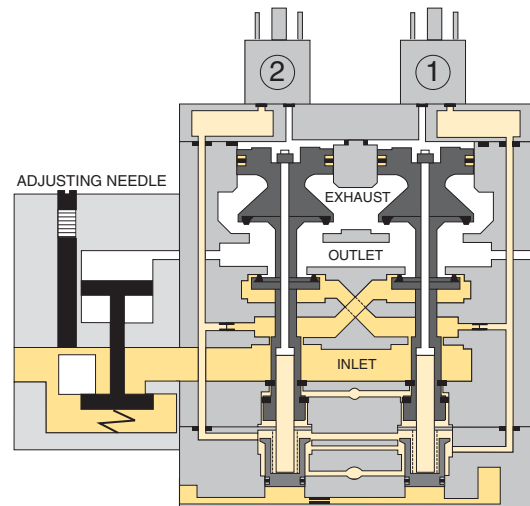
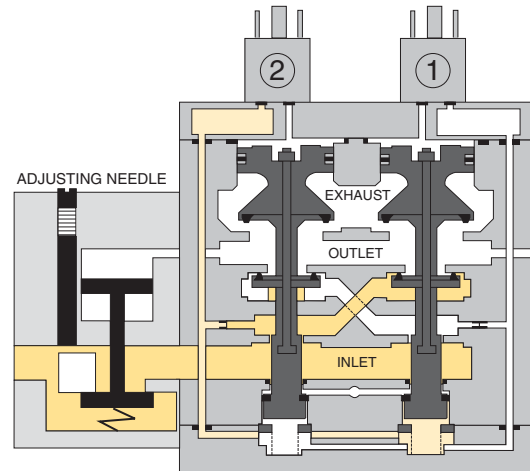
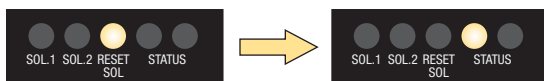
The reset procedure is as follows:

- Remove the electrical signals to the main coils
- Ensure there is air supplied to the valve
- Energize the reset solenoid for a minimum of 200 ms
- Allow a 200 ms delay after de-energizing the reset solenoid and re-energizing the main solenoids

The valve will remain in the locked-out position, even if the inlet air supply is removed and re-applied.

A remote reset signal must be applied to reset the valve. A momentary, remote electrical signal must be applied to the reset solenoid to apply pressure to the reset pistons in the valve. Actuation of the reset piston physically pushes the main valve elements to their closed position. Inlet air fully pressurizes the crossovers and holds the inlet poppets on seat. Actuation of the reset piston opens the reset poppet, thereby, immediately exhausting pilot supply air, thus, preventing valve operation during reset (Reset adapter added to illustration.). De-actuation of reset pistons causes the reset poppets to close and pilot supply to fully pressurize. Reset air pressure is applied by a 3/2 normally closed solenoid, or a manual push button mounted on the reset adapter in the top valve cover.

The green "Status" LED will be illuminated once the valve is reset.



B	Global Air Preparation
Introduction	Filters
Coalescers	Regulators
Filter/Regulators	Lubricators
Combinations	Accessories and Kits



For inventory, lead time, and kit lookup, visit [www.pdnplu.com](http://www.pdnplu.com)

B69

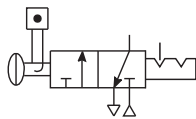
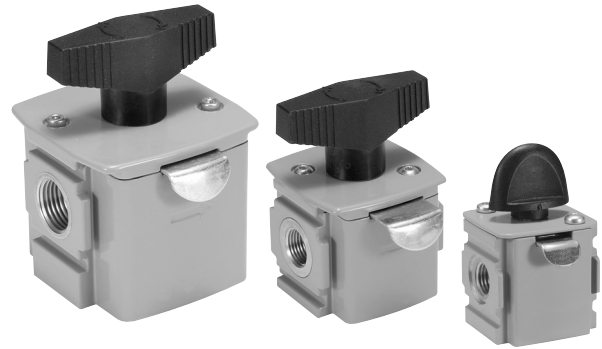
**Parker Hannifin Corporation**  
Pneumatic Division  
Richland, Michigan  
[www.parker.com/pneumatics](http://www.parker.com/pneumatics)

## Ball Valve / Lockout Valve

The Ball / Lockout Valve shuts off downstream line pressure in the closed position with a 90° turn of the handle. In the closed position, inlet air pressure is blocked and downstream / system air is exhausted through a threaded port. To prevent unauthorized adjustment, the padlock slide may be assembled on either side. It is recommended that this slide is installed after final system assembly.

The Safety Lockout valves conform to OSHA #29 CFR part 1910 — control of hazardous energy source (lockout / tagout).

**Note:** This padlock slide is a permanent assembly and may not be removed later, any unauthorized tampering will void any warranty claims. The valve can only be locked in the closed position.



### Ordering Information

Model type	Port size	Exhaust port	Thread type	Flow scfm (dm <sup>3</sup> /s, ANR)	Modular ball valve flow from left to right
P31	1/4"	1/4"	NPT	42.4 (20)	<b>P31VB92LBNN</b>
P32	3/8"	1/4"	NPT	190.7 (90)	<b>P32VB93LBNN</b>
	1/2"	1/4"	NPT	258.5 (122)	<b>P32VB94LBNN</b>
P33	1/2"	1/2"	NPT	561.5 (265)	<b>P33VB94LBNN</b>
	3/4"	1/2"	NPT	678 (320)	<b>P33VB96LBNN</b>

\* Lockout tab and muffler supplied with unit.

For thread type:    **BSPP 1**  
                           **BSPT 2**  
                           **NPT 9**

### Operating information

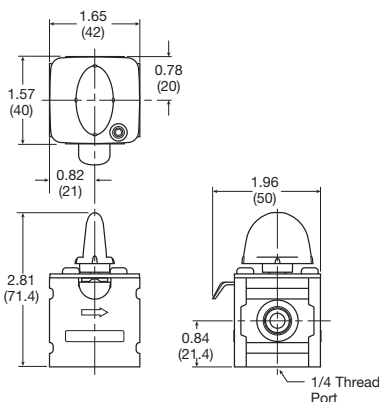
Operating temperature:	-40°C to 80°C (-40°F to 176°F)
Pressure supply (max):	250 psig (17 bar)
Port size:	BSPP / BSPT / NPT
	1/4, 3/8, 1/2, 3/4
Weight:	P31 0.33 lbs (0.15 kg)
	P32 0.79 lbs (0.36 kg)
	P33 1.21 lbs (0.55 kg)

### Material Specifications

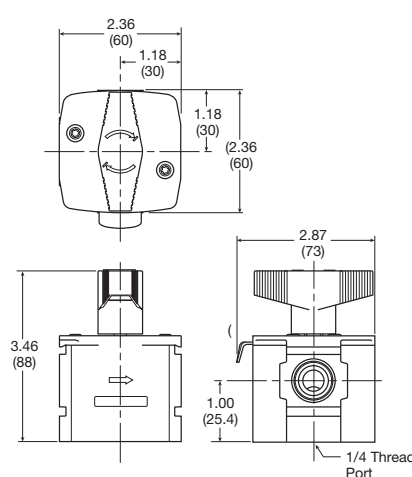
Body	Aluminum
Seals	PTFE
Ball	Stainless Steel
Lockout Tab	Zinc Plated Steel
Screw	Zinc Plated Steel

### Dimensions inches (mm)

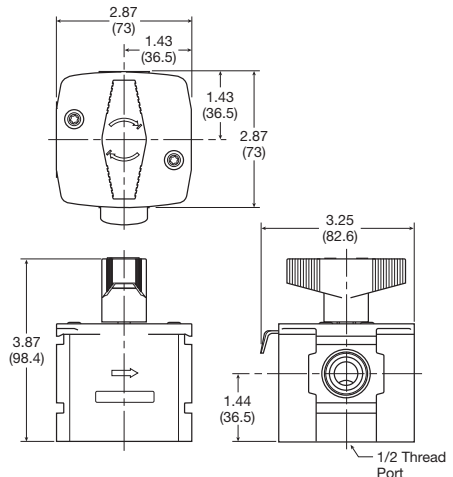
#### P31



#### P32



#### P33



Most popular.



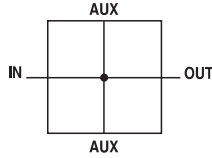
For inventory, lead times, and kit lookup, visit [www.pdnplu.com](http://www.pdnplu.com)

B70

**Parker Hannifin Corporation**  
 Pneumatic Division  
 Richland, Michigan  
[www.parker.com/pneumatics](http://www.parker.com/pneumatics)

## Manifold Blocks

- Available in 1/4" or 3/4" threaded inlet / outlet ports
- Two additional top and bottom auxiliary ports standard
- Can be mounted anywhere in the FRL system



### Ordering Information

Model type	In / Out port size	Auxiliary port size top	Auxiliary port size bottom	Thread type	Part number
P31	1/4"	1/4"	1/4"	NPT	<b>P31MA92022N</b>
P32	1/2"	1/4"	1/2"	NPT	<b>P32MA94024N</b>
P33	3/4"	1/4"	1/2"	NPT	<b>P33MA96024N</b>

For thread type:  
 BSPP **1**  
 BSPT **2**  
 NPT **9**

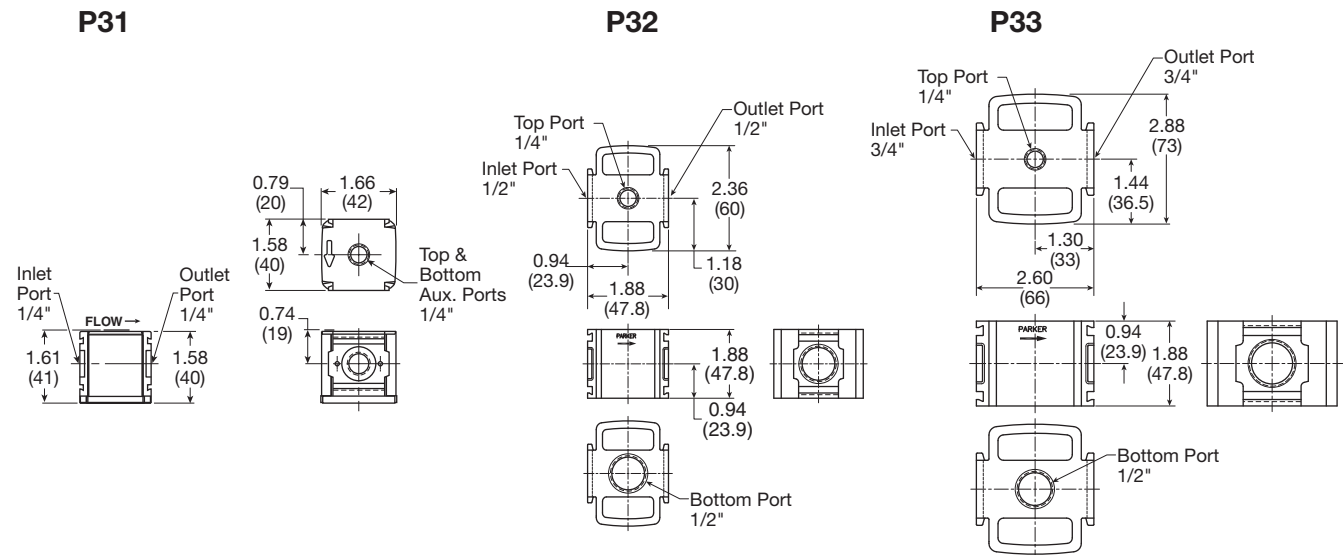
### Operating information

Operating temperature:	-40°F to 150°F (-40°C to 65.5°C)
Pressure supply (max):	300 psig (20.7 bar)
Weight:	P31 0.26 lbs (0.12 kg)
	P32 0.45 lbs (0.20 kg)
	P33 0.45 lbs (0.20 kg)

### Material Specifications

Body	Aluminum
------	----------

### Dimensions inches (mm)



  Most popular.



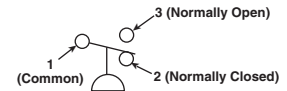
For inventory, lead time, and kit lookup, visit [www.pdnplu.com](http://www.pdnplu.com)

B71

**Parker Hannifin Corporation**  
 Pneumatic Division  
 Richland, Michigan  
[www.parker.com/pneumatics](http://www.parker.com/pneumatics)

## PPS1 Pressure Switch

- Long life elastomer diaphragm
- High quality snap action switch
- Field adjustable
- Compact design
- Easily customized
- Quick delivery
- NEMA 4, 13



### Definitions and Terminology

**Repeatability** — Accuracy is the maximum allowable set point deviation of a single pressure or temperature switch under one given set of environmental and operational conditions.

**Single Pole Double Throw (SPDT) Switching element** — A SPDT switching element has one normally open, one normally closed and one common terminal. Three terminals mean that the switch can be wired with the circuit either normally open (NO), or normally closed (NC), or both.

**Dead Band** — The dead band, sometimes referred to as “differential” or “hysteresis”, is the change in pressure between actuation and deactuation set points.

### Operating information

Temperature range:	-40°F to 105°F (-40°C to 220°C)
Operating pressure range:	1, 2, 3 - 250 PSI (17.2 bar) 4 - 2000 PSI (137.9 bar)
Set point tolerance	±1 PSI or 5% (.07 bar)
Deadband	10 - 20% of set pressure
Current rating	3A @ 125 VAC 2A @ 30 VDC (Resistive)
Circuit form	SPDT Standard
Cycle life	1 Million

### Ordering Information:

<b>PPS1</b>	<b>-</b>	<b>1</b>	<b>C</b>	<b>3</b>	<b>-</b>	<b>R</b>	<b>HM</b>																						
		<table border="1"> <thead> <tr><th>Thread</th><th></th></tr> </thead> <tbody> <tr><td>1/4" NPT male</td><td>1</td></tr> <tr><td>1/8" NPT male</td><td>2</td></tr> <tr><td>1/4" BSPP male</td><td>17</td></tr> <tr><td>1/8" BSPP male</td><td>18</td></tr> </tbody> </table>		Thread		1/4" NPT male	1	1/8" NPT male	2	1/4" BSPP male	17	1/8" BSPP male	18	<table border="1"> <thead> <tr><th>Set Point Direction</th><th></th></tr> </thead> <tbody> <tr><td>R</td><td>Rising</td></tr> </tbody> </table>		Set Point Direction		R	Rising	<table border="1"> <thead> <tr><th>Electrical Connection</th><th></th></tr> </thead> <tbody> <tr><td>HM</td><td>DIN 9.4mm</td></tr> <tr><td>WL</td><td>Wire leads 18"</td></tr> </tbody> </table>		Electrical Connection		HM	DIN 9.4mm	WL	Wire leads 18"		
Thread																													
1/4" NPT male	1																												
1/8" NPT male	2																												
1/4" BSPP male	17																												
1/8" BSPP male	18																												
Set Point Direction																													
R	Rising																												
Electrical Connection																													
HM	DIN 9.4mm																												
WL	Wire leads 18"																												
		<table border="1"> <thead> <tr><th>Circuit</th><th></th></tr> </thead> <tbody> <tr><td>SPDT</td><td>C</td></tr> </tbody> </table>		Circuit		SPDT	C	<table border="1"> <thead> <tr><th>Range*</th><th></th></tr> </thead> <tbody> <tr><td>1</td><td>3-10 PSI</td></tr> <tr><td>2</td><td>6-30 PSI</td></tr> <tr><td>3</td><td>20-120 PSI</td></tr> <tr><td>4†</td><td>100-400 PSI</td></tr> </tbody> </table>		Range*		1	3-10 PSI	2	6-30 PSI	3	20-120 PSI	4†	100-400 PSI	<p>* Factory setting for calibration purposes                      Range 1 = 6 PSI                      Range 2 = 18 PSI                      Range 3 = 70 PSI                      Range 4 = 250 PSI</p>									
Circuit																													
SPDT	C																												
Range*																													
1	3-10 PSI																												
2	6-30 PSI																												
3	20-120 PSI																												
4†	100-400 PSI																												
				<p>† Only available in 1/4" NPT</p>																									

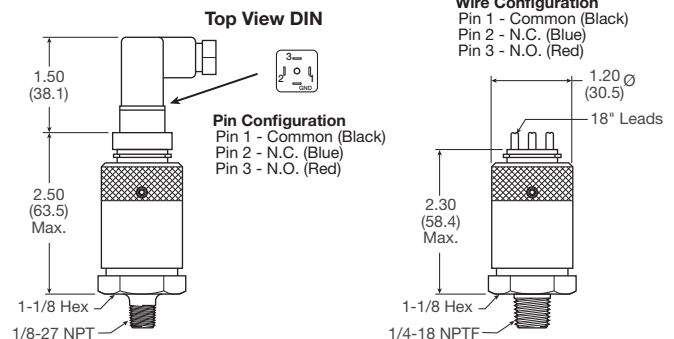
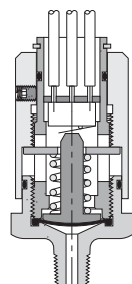
**Note: Switch is field adjustable.**

### Material Specifications

Adjustment knob	Anodized aluminum
Body	Brass
Diaphragm	Nitrile

### Operation

The pressure switch monitors the air pressure in your pneumatic system. When the pressure in your system either drops below or exceeds the set point pressure, an electrical output is given.



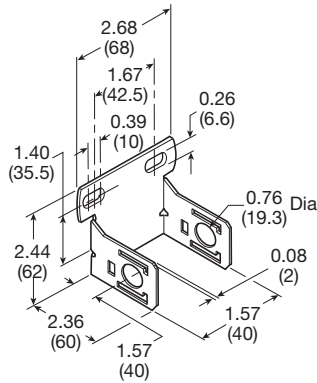
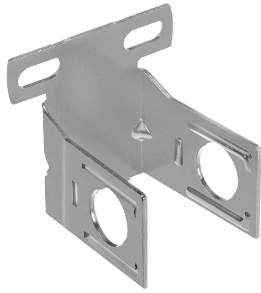
For inventory, lead times, and kit lookup, visit [www.pdnplu.com](http://www.pdnplu.com)

B72

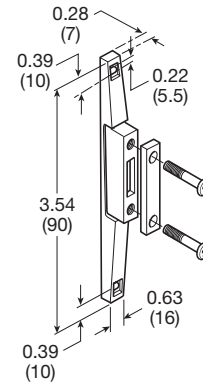
**Parker Hannifin Corporation**  
 Pneumatic Division  
 Richland, Michigan  
[www.parker.com/pneumatics](http://www.parker.com/pneumatics)

**P31 Accessories**

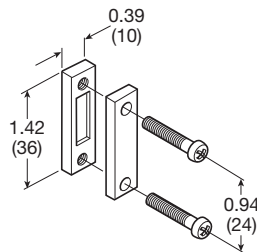
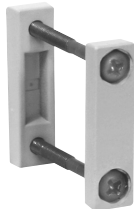
**C-Bracket**  
 (Fits to filter and lubricator body)  
**P31KA00MW**



**T-Bracket w/ Body Connector**  
 (O-ring not shown)  
**P31KA00MT**



**Body Connector**  
 (O-ring not shown)  
**P31KA00CB**



**Port Block Kit**  
 (O-ring not shown)

- |                |                  |                |                  |
|----------------|------------------|----------------|------------------|
| 1/8 NPT .....  | <b>P31KA91CP</b> | 1/8 BSPT ..... | <b>P31KA21CP</b> |
| 1/4 NPT .....  | <b>P31KA92CP</b> | 1/4 BSPT ..... | <b>P31KA22CP</b> |
| 3/8 NPT .....  | <b>P31KA93CP</b> | 3/8 BSPT ..... | <b>P31KA23CP</b> |
| 1/8 BSPP ..... | <b>P31KA11CP</b> |                |                  |
| 1/4 BSPP ..... | <b>P31KA12CP</b> |                |                  |
| 3/8 BSPP ..... | <b>P31KA13CP</b> |                |                  |

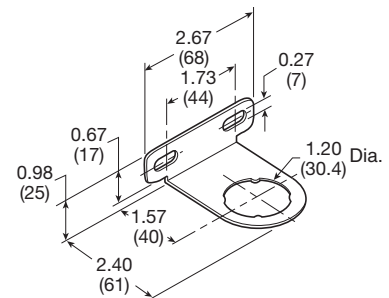


**Port Block Kit w/ T-Bracket**  
 (O-ring not shown)

- |                |                  |                |                  |
|----------------|------------------|----------------|------------------|
| 1/8 NPT .....  | <b>P31KA91CN</b> | 1/8 BSPT ..... | <b>P31KA21CN</b> |
| 1/4 NPT .....  | <b>P31KA92CN</b> | 1/4 BSPT ..... | <b>P31KA22CN</b> |
| 3/8 NPT .....  | <b>P31KA93CN</b> | 3/8 BSPT ..... | <b>P31KA23CN</b> |
| 1/8 BSPP ..... | <b>P31KA11CN</b> |                |                  |
| 1/4 BSPP ..... | <b>P31KA12CN</b> |                |                  |
| 3/8 BSPP ..... | <b>P31KA13CN</b> |                |                  |



**Angle Bracket**  
 (Fits to regulator and filter/regulator body)  
**P31KB00MR**



**B**

Global Air Preparation

Introduction

Filters

Coalescers

Regulators

Filter/Regulators

Lubricators

Combinations

Accessories and Kits

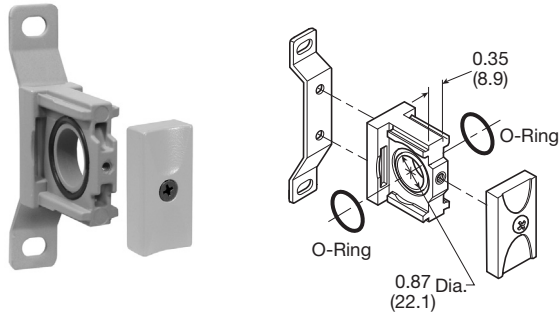


For inventory, lead time, and kit lookup, visit [www.pdnplu.com](http://www.pdnplu.com)

**P32 Accessories**

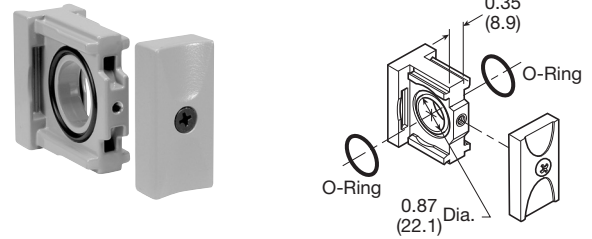
**T-Bracket w/ Body Connector**

P32KA00MT



**Body Connector**

P32KA00CB



**Port Block Kit**

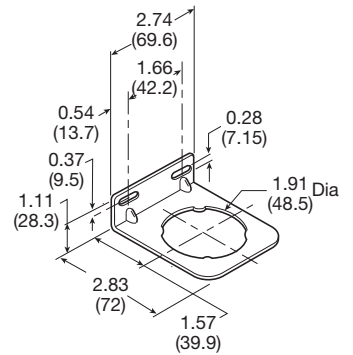
1/4 NPT.....	<b>P32KA92CP</b>	1/4 BSPT .....	<b>P32KA22CP</b>
3/8 NPT.....	<b>P32KA93CP</b>	3/8 BSPT .....	<b>P32KA23CP</b>
1/2 NPT.....	<b>P32KA94CP</b>	1/2 BSPT .....	<b>P32KA24CP</b>
3/4 NPT.....	<b>P32KA96CP</b>	3/4 BSPT .....	<b>P32KA26CP</b>
1/4 BSPP .....	<b>P32KA12CP</b>		
3/8 BSPP .....	<b>P32KA13CP</b>		
1/2 BSPP .....	<b>P32KA14CP</b>		
3/4 BSPP .....	<b>P32KA16CP</b>		



**Angle Bracket**

(Fits to regulator and filter/regulator bonnet)

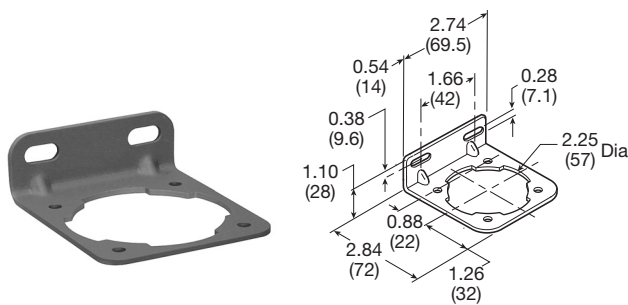
P32KB00MR



**L-Bracket**

(Fits to filter and lubricator body)

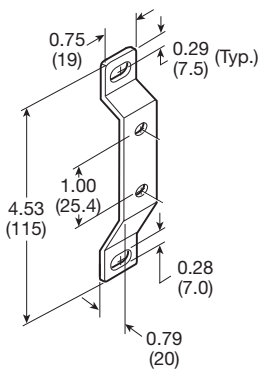
P32KA00ML



**T-Bracket**

(fits to body connector or port block)

P32KA00MB



**B**

Global Air  
Preparation

Introduction

Filters

Coalescers

Regulators

Filter/  
Regulators

Lubricators

Combinations

Accessories  
and Kits

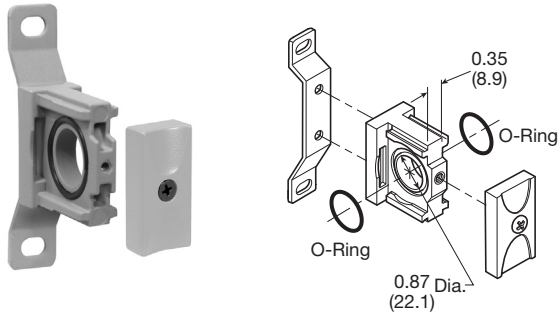


For inventory, lead times, and kit lookup, visit [www.pdnplu.com](http://www.pdnplu.com)

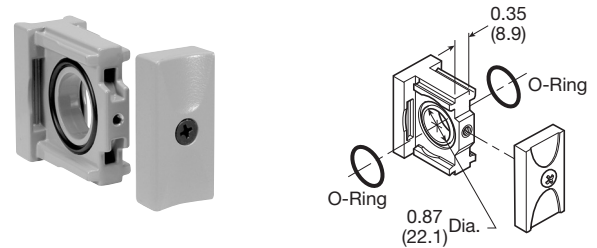


**P33 Accessories**

**T-Bracket w/ Body Connector**  
**P32KA00MT**



**Body Connector**  
**P32KA00CB**

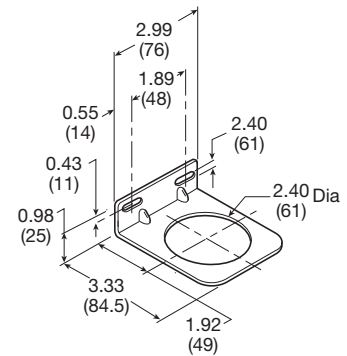


**Port Block Kit**

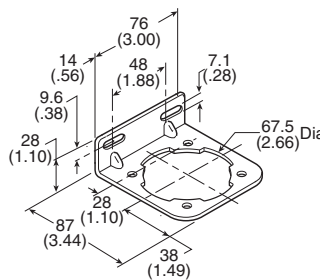
- |                |                  |                |                  |
|----------------|------------------|----------------|------------------|
| 1/4 NPT.....   | <b>P32KA92CP</b> | 1/4 BSPT ..... | <b>P32KA22CP</b> |
| 3/8 NPT.....   | <b>P32KA93CP</b> | 3/8 BSPT ..... | <b>P32KA23CP</b> |
| 1/2 NPT.....   | <b>P32KA94CP</b> | 1/2 BSPT ..... | <b>P32KA24CP</b> |
| 3/4 NPT.....   | <b>P32KA96CP</b> | 3/4 BSPT ..... | <b>P32KA26CP</b> |
| 1/4 BSPP ..... | <b>P32KA12CP</b> |                |                  |
| 3/8 BSPP ..... | <b>P32KA13CP</b> |                |                  |
| 1/2 BSPP ..... | <b>P32KA14CP</b> |                |                  |
| 3/4 BSPP ..... | <b>P32KA16CP</b> |                |                  |



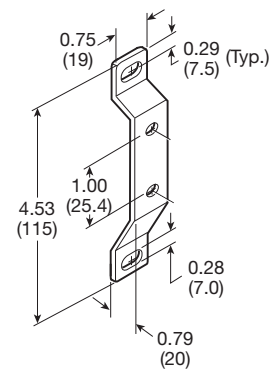
**Angle Bracket**  
 (Fits to regulator and filter/regulator bonnet)  
**P33KA00MR**



**L-Bracket**  
 (Fits to filter and lubricator body)  
**P33KA00ML**



**T-Bracket**  
 (fits to body connector or port block)  
**P32KA00MB**













For inventory, lead time, and kit lookup, visit [www.pdnplu.com](http://www.pdnplu.com)

**B**  
 Global Air Preparation  
 Introduction  
 Filters  
 Coalescers  
 Regulators  
 Filter / Regulators  
 Lubricators  
 Combinations  
 Accessories and Kits

Series	Description	Part number	
P31 P32 P33	Panel Mount Nut (Plastic)	<b>P31KA00MP</b> <b>P32KA00MP</b> <b>P33KA00MP</b>	
P31 P32 P33	Panel Mount Nut (Aluminum)	<b>P31KA00MM</b> <b>P32KA00MM</b> <b>P33KA00MM</b>	
P31 P32 P33	5µ Element Kit	<b>P31KA00ESE</b> <b>P32KA00ESE</b> <b>P33KA00ESE</b>	
P31 P32 P33	1µ Element Kit	<b>P31KA00ES9</b> <b>P32KA00ES9</b> <b>P33KA00ES9</b>	
P31 P32 P33	0.01µ Element Kit	<b>P31KA00ESC</b> <b>P32KA00ESC</b> <b>P33KA00ESC</b>	
P31 P32 P33	Adsorber Element Kit	<b>P31KA00ESA</b> <b>P32KA00ESA</b> <b>P33KA00ESA</b>	
P32 / P33	Auto Drain Kit	<b>P32KA00DA</b>	
P31 P32 / P33	Differential Pressure Indicator Kit	<b>P31KB00RQ</b> <b>P32KA00RQ</b>	
P31 / P32 / P33	Drip Control Assembly Kit	<b>P32KA00PH</b>	
P31 P32 / P33	Fill Plug Kit	<b>P31KA00PL</b> <b>P32KA00PL</b>	
P31 P32 P33	Lubricator - Plastic Bowl w/ Bowl Guard No Drain	<b>P31KB00BGN</b> <b>P32KB00BGN</b> <b>P33KA00BGN</b>	



For inventory, lead times, and kit lookup, visit [www.pdnplu.com](http://www.pdnplu.com)

Series	Description	Part number	
P31 P32 P33	Lubricator - Metal Bowl w/o Sight Gauge No Drain	<b>P31KB00BMN</b> <b>P32KB00BMN</b> <b>P33KA00BMN</b>	
P32 P33	Lubricator - Metal Bowl w/ Sight Gauge No Drain	<b>P32KB00BSN</b> <b>P33KA00BSN</b>	
P31 P32 P33	Metal Bowl w/o Sight Gauge & Manual Drain	<b>P31KB00BMM</b> <b>P32KB00BMM</b> <b>P33KA00BMM</b>	
P31	Metal Bowl w/o Sight Gauge & Pulse Drain	<b>P31KB00BMB</b>	
P32 P33	Metal Bowl w/o Sight Gauge & Auto Drain	<b>P32KB00BMA</b> <b>P33KA00BMA</b>	
P32 P33	Metal Bowl w/ Sight Gauge & Manual Drain	<b>P32KB00BSM</b> <b>P33KA00BSM</b>	
P32 P33	Metal Bowl w/ Sight Gauge & Auto Drain	<b>P32KB00BSA</b> <b>P33KA00BSA</b>	
P31 P32 P33	Plastic Bowl w/ Bowl Guard & Manual Drain	<b>P31KB00BGM</b> <b>P32KB00BGM</b> <b>P33KA00BGM</b>	
P31	Plastic Bowl w/ Bowl Guard & Pulse Drain	<b>P31KB00BGB</b>	
P32 P33	Plastic Bowl w/ Bowl Guard & Auto Drain	<b>P32KB00BGA</b> <b>P33KA00BGA</b>	
P31 P32 P33	Regulator - Relieving Repair Kit	<b>P31KB00RB</b> <b>P32KB00RB</b> <b>P33KA00RB</b>	
P31 P32 P33	Regulator - Non-Relieving Repair Kit	<b>P31KB00RC</b> <b>P32KB00RC</b> <b>P33KA00RC</b>	

**B**

Global Air  
Preparation

Introduction

Filters

Coalescers

Regulators

Filter/  
Regulators

Lubricators

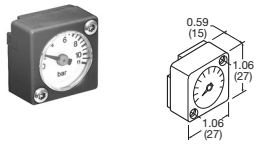
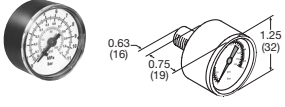
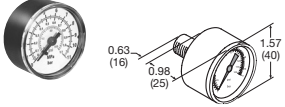
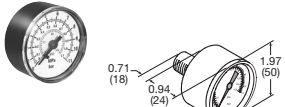



Combinations

Accessories  
and Kits



For inventory, lead time, and kit lookup, visit [www.pdnplu.com](http://www.pdnplu.com)

**PD**  
**Global Air Preparation**  
**Introduction**  
**Filters**  
**Coalescers**  
**Regulators**  
**Filter / Regulators**  
**Lubricators**  
**Combinations**  
**Accessories and Kits**

Series	Description	Connection	Part number	
P31 P32 P33	Regulator - Main Adjusting Spring 0-30 psig (0-2 bar) Kit		<b>P31KB00PR</b> <b>P32KB00PR</b> <b>P33KA00PR</b>	
P31 P32 P33	Regulator - Main Adjusting Spring 0-60 psig (0-4.1 bar) Kit		<b>P31KB00PS</b> <b>P32KB00PS</b> <b>P33KA00PS</b>	
P31 P32 P33	Regulator - Main Adjusting Spring 0-125 psig (0-8.6 bar) Kit		<b>P31KB00PT</b> <b>P32KB00PT</b> <b>P33KA00PT</b>	
P31 P32 P33	Regulator - Main Adjusting Spring 0-250 psig (0-17 bar) Kit		<b>P31KB00PV</b> <b>P32KB00PV</b> <b>P33KA00PV</b>	
P31	Square Flush Mounting Gauge Kit	0-60 psig 0-160 psig 0-4 bar 0-11 bar	<b>K4511SCR060</b> <b>K4511SCR160</b> <b>K4511SCR04B</b> <b>K4511SCR11B</b>	
P31 / P32	Square Mounting Gauge with Adapter Kit	0-60 psig 0-160 psig 0-4 bar 0-11 bar	<b>P6G-PR90060</b> <b>P6G-PR90160</b> <b>P6G-PR10040</b> <b>P6G-PR10110</b>	
P31	1" Round Gauge	0-60 psig / 0-4.1 bar 1/8" 0-160 psig / 0-10 bar 1/8"	<b>K4510N18060</b> <b>K4510N18160</b>	
P31	40mm Round Gauge	0-30 psig / 0-2 bar 1/8" 0-60 psig / 0-4.1 bar 1/8" 0-160 psig / 0-10 bar 1/8"	<b>K4515N18030</b> <b>K4515N18060</b> <b>K4515N18160</b>	
P32 / P33	50mm Round Gauge	0-30 psig / 0-2 bar 1/4" 0-60 psig / 0-4.1 bar 1/4" 0-160 psig / 0-10 bar 1/4" 0-300 psig / 0-20 bar 1/4"	<b>K4520N14030</b> <b>K4520N14060</b> <b>K4520N14160</b> <b>K4520N14300</b>	
P31 P32 / P33	Body Connector O-ring (Replacement kit) (Pack of 10)		<b>P31KA00CY</b> <b>P32KA00CY</b>	
P31 P32	Tamperproof Knob Kit		<b>P31KB00AT</b> <b>P32KB00AT</b>	
P31 P32	Tamperproof Lockable Kit		<b>P31KB00AL</b> <b>P32KB00AL</b>	



For inventory, lead times, and kit lookup, visit [www.pdnplu.com](http://www.pdnplu.com)

## Solenoid Operators - CNOMO

### Solenoid operators, coil combinations

	NC Normal Operator with 22 x 30 standard coil	NC Normal Operator with 30 x 30 standard coil
Working pressure	0 to 10 bar	0 to 10 bar
Ambient temperature	-10°C to 60°C *	-10°C to 60°C *
Power (DC)	4.8W	2.7W
Power (AC)	8.5VA	4.9VA
Voltage tolerance	+/-10%	+/-10%
Duty cycle	100%	100%
Insulation class	F	F
Electric connection	B Industrial	DIN 43650A
Protection	IP65	IP65
Approval		UL/CSA
Working media	All neutral media such as compressed air	

\* Limited to 50°C if use with 100% duty cycle

### Transients

Interrupting the current through the solenoid coil produces momentary voltage peaks which, under unfavorable conditions, can amount to several hundred times the rated operating voltage. Normally, these transients do not cause problems, but to achieve the Maximum life of relays in the circuit (and particularly of transistors, thyristors and integrated circuits) it is desirable to provide protection by means of voltage-dependent resistors (varistors). All connectors/cable plugs EN175301-803 with LED's include this type of circuit protection.

### Materials

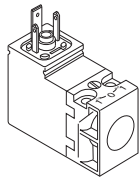
#### Pilot Valve

Body:	Polyamide
Armature tube:	Brass
Plunger & core:	Corrosion resistant Cr-Ni steel
Seals:	Fluorocarbon
Screws:	Stainless steel

#### Coil

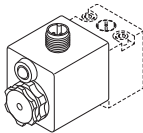
Encapsulation material:	Thermoplastic as standard Duroplast for M12 connection
-------------------------	---

### P31 Series only - Solenoid coils 15mm NC



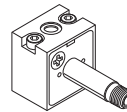
Voltage	Order code Override, blue, non-locking flush	Weight (Kg)
24VDC	<b>PS2982B49P</b>	0.038
115VAC 50Hz / 120VAC 60Hz	<b>PS2982B53P</b>	0.038

### Solenoid Coils with M12 Connection



Voltage	Part number	Weight (Kg)
Direct current		
24VDC	<b>P2FC6449</b>	0.065

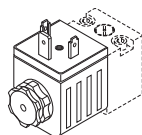
### Spare Base Solenoid Pilot Operator CNOMO NC



Description	Part number non-lock manual override	Weight (Kg)
Standard Duty	<b>P2FP23N4B</b>	0.065
No Override	<b>P2FP23N4A</b>	0.065

**Note:** Solenoid pilot operators are fitted to the Global range. Order the above part numbers for spares. The operators are supplied with mounting screws and interface 'O' rings. Coils and connectors must be ordered separately.

### Solenoid Coils with DIN A or Industrial B Connection



Voltage	22mm x 30mm Part number B industrial standard	Weight (Kg)	30mm x 30mm Part number DIN 43650A standard	Weight (Kg)
Direct current				
24VDC	<b>P2FCB449</b>	0.093	<b>P2FCA449</b>	0.105
Alternative current				
110V 50Hz, 120V 60Hz	<b>P2FCB453</b>	0.093	<b>P2FCA453</b>	0.105

Most popular.

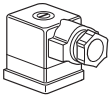
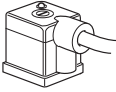


For inventory, lead time, and kit  
lookup, visit [www.pdnplu.com](http://www.pdnplu.com)

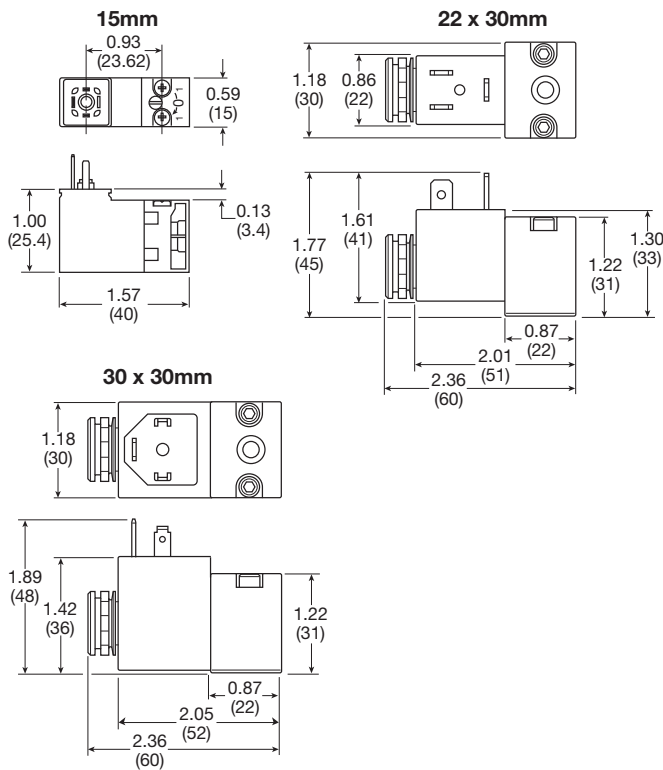
B79

**Parker Hannifin Corporation**  
Pneumatic Division  
Richland, Michigan  
[www.parker.com/pneumatics](http://www.parker.com/pneumatics)

**Solenoid Connectors / Cable Plugs EN175301-803**

	Description	Part number 22mm Form B Industrial	Part number 30mm Form A DIN 43650A
	With standard screw	<b>PS2429BP</b>	<b>PS2028BP</b>
	With LED and protection 24VAC/DC	<b>PS243079BP</b>	<b>PS203279BP</b>
	With LED and protection 110VAC	<b>PS243083BP</b>	<b>PS203283BP</b>
	With cable	<b>PS2429JBP</b>	<b>PS2028JCP</b>
	24VAC/DC, 2m cable LED and protection IP65	<b>PS2430J79BP</b>	<b>PS2032J79CP</b>
	110VAC/DC, 2m cable LED and protection IP65	<b>PS2430J83BP</b>	<b>PS2032J83CP</b>

**Solenoid coil dimensions inches (mm)**



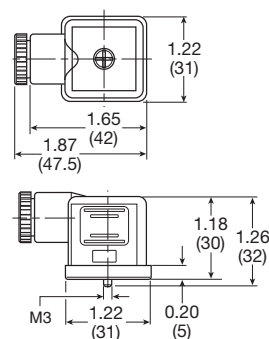
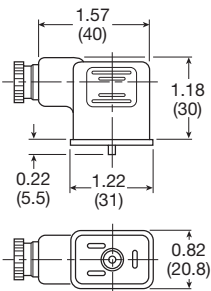
**Electrical schematics**



<b>PS2028BP</b>	<b>PS243079BP</b>	<b>PS203279BP</b>
<b>PS2028JBP</b>	<b>PS2430J79BP</b>	<b>PS2032J79CP</b>
<b>PS2429BP</b>	<b>PS243083BP</b>	<b>PS203283BP</b>
<b>PS2429JBP</b>	<b>PS2430J83BP</b>	<b>PS2032J83CP</b>
<b>PS2932BP</b>	<b>PS294679BP</b>	<b>PS294683BP</b>
<b>PS2932JBP</b>	<b>PS2946J79BP</b>	<b>PS2946J83BP</b>

**Cable plug dimensions inches (mm)**

22mm Form B Industrial Cable plugs	<b>PS2429BP</b>	30mm DIN 43650A Cable plugs	<b>PS2028BP</b>
---------------------------------------	-----------------	--------------------------------	-----------------



Most popular.



For inventory, lead times, and kit lookup, visit [www.pdnplu.com](http://www.pdnplu.com)

B80

**Parker Hannifin Corporation**  
 Pneumatic Division  
 Richland, Michigan  
[www.parker.com/pneumatics](http://www.parker.com/pneumatics)



**Air Preparation Products**  
**P3Y Series**

<a href="#">Introduction</a>	C3
<a href="#">Particulate Filters</a>	C4-C5
<a href="#">Coalescing Filters</a>	C6-C7
<a href="#">Regulators</a>	C8-C11
<a href="#">Proportional Pressure Regulator</a>	C12-C13
<a href="#">Filter / Regulators</a>	C14-C15
<a href="#">Lubricators</a>	C16-C17
<a href="#">Combinations</a>	C18-C19
<a href="#">Soft Start / Dump Valves</a>	C20-C22
<a href="#">Accessories</a>	C23-C27

C

P3Y Products



For inventory, lead time, and kit lookup, visit [www.pdnplu.com](http://www.pdnplu.com)

C

P3Y Products



For inventory, lead times, and kit lookup, visit [www.pdnplu.com](http://www.pdnplu.com)

C2

**Parker Hannifin Corporation**  
Pneumatic Division  
Richland, Michigan  
[www.parker.com/pneumatics](http://www.parker.com/pneumatics)



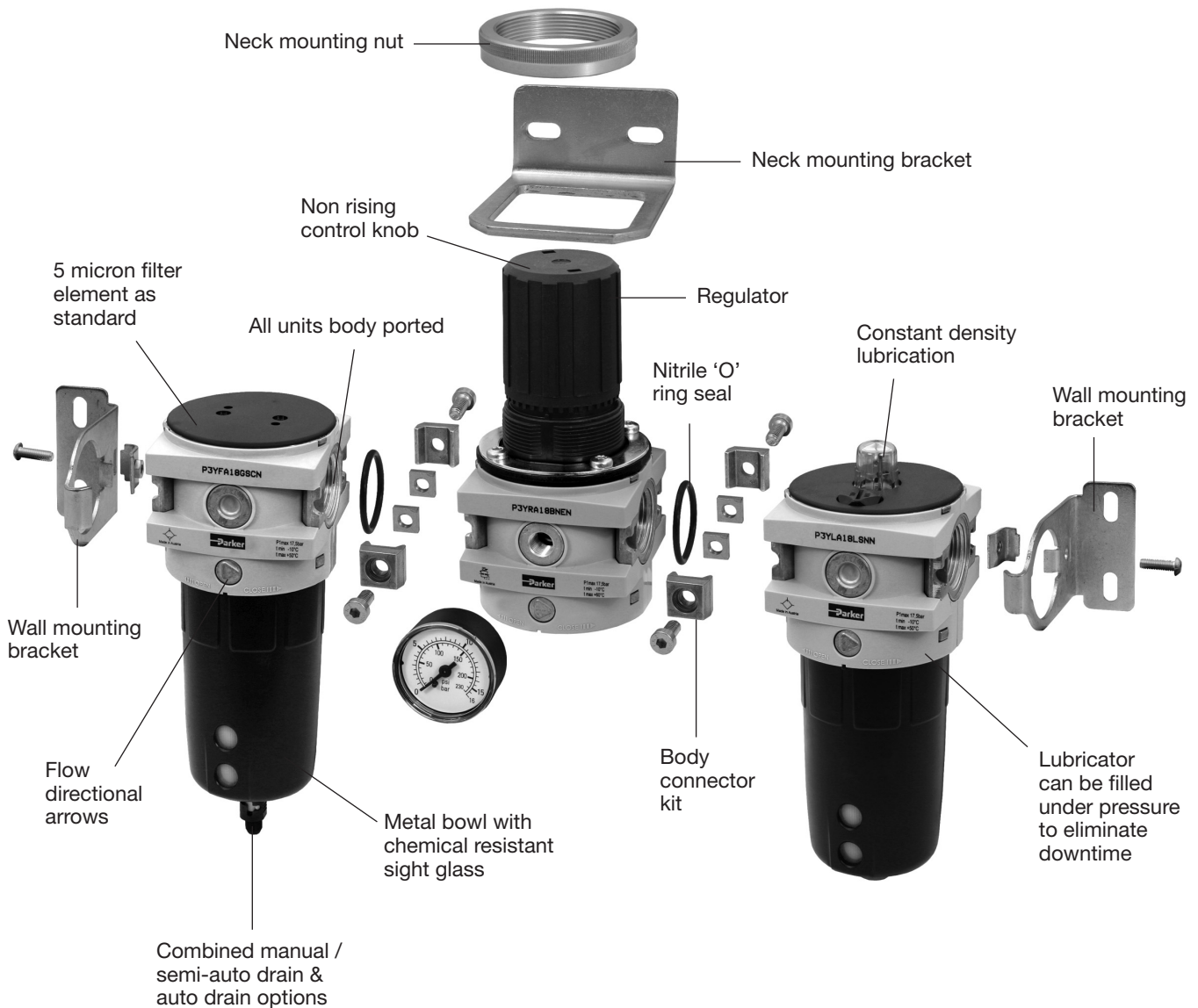
## P3Y System

The P3Y system allows units to be connected together without the use of pipe connectors. This saves space, provides constant mounting centers, and maintains a modern aesthetically pleasing appearance.

The P3Y filters are specially designed to efficiently filter out rust, dirt, moisture and other impurities from compressed air lines. Operation is fully automatic with a minimum of pressure drop. Coalescing filters and adsorber filters for high purity air are also included in the P3Y series.

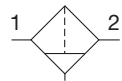
The P3Y regulators are designed to provide quick response and accurate pressure regulation for the most demanding hi-flow industrial applications.

The rolling diaphragm was designed for long trouble-free operation and will not rupture or tear under high cycle or demanding applications. The P3Y mist lubricators are designed to provide lubrication for many general purpose applications.

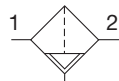


## P3Y Particulate Filter

- Integral 3/4" or 1" ports (NPT & BSPP)
- High efficiency particulate element as standard
- Excellent water removal efficiency
- Robust but lightweight aluminium construction
- Low temperature -40°C (-40°F) with combined manual / semi-auto drain as standard



Manual drain



Auto drain

Port size	Description	Part number
3/4"	Combined manual /semi-auto drain	<b>P3YFA96ESCN</b>
3/4"	Auto drain	<b>P3YFA96ESAN</b>
1"	Combined manual /semi auto drain	<b>P3YFA98ESCN</b>
1"	Auto drain	<b>P3YFA98ESAN</b>

### Operating information

Supply pressure (max)*:	254 psig (17.5 bar)
Operating temperature:	
Auto drain	14°F to 140°F (-10°C to 60°C)
Combined drain	-40°F to 140°F (-40°C to 60°C)
Standard filtration	5 micron
Manual / semi-auto drain:	Closed at 11.6 psig (0.8 bar) G1/8 thread male
Auto drain bowl pressure:	Closed at 11.6 psig (0.8 bar)
Bowl capacity:	4.4 US oz. (130 cm <sup>3</sup> )
Standard filtration:	5 micron
Flow capacity†:	3/4" 170 scfm (80.2 dm <sup>3</sup> /s, ANR) 1" 170 scfm (80.2 dm <sup>3</sup> /s, ANR)
Fluid:	Compressed air
Weight:	1.98 lb (0.9 kg)

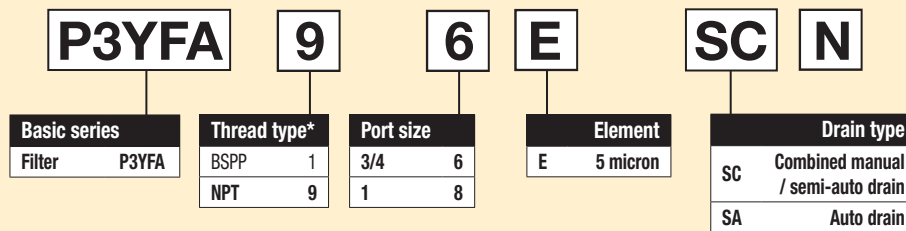
† Inlet pressure 91.4 psig (6.3 bar) inlet pressure and 7.3 psig (0.5 bar) pressure drop.

\* Air supply must be dry enough to avoid ice formation at temperatures below 35.6°F (2°C).

#### Air quality:

Within ISO 8573-1: 1991 Class 3 and 5 (Particulates)  
 Within ISO 8573-1: 2001 Class 6 and 7 (Particulates)

### Ordering Information:



\* Note: For 1-1/2" ported unit, please order P3YKA\*BCP port block kit separately.

Most popular.



For inventory, lead times, and kit lookup, visit [www.pdnplu.com](http://www.pdnplu.com)

**Material specifications**

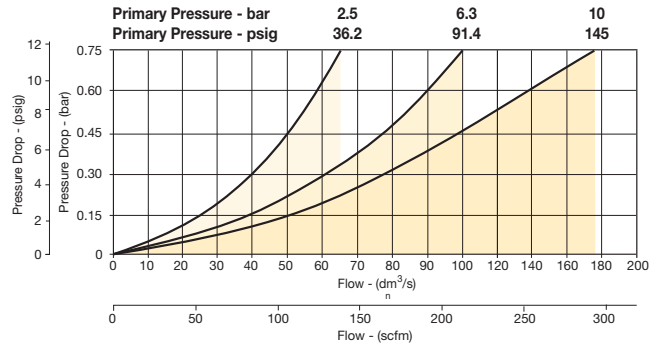
Body	Aluminium
Sight glass and bowl	Polypropylene
Body cover	ABS
Element	Sintered P.E.
Seals	Nitrile NBR
Manual / semi-auto drain	Acetal
Automatic drain	PA / Ø 10mm brass connection

**Repair and Service Kits**

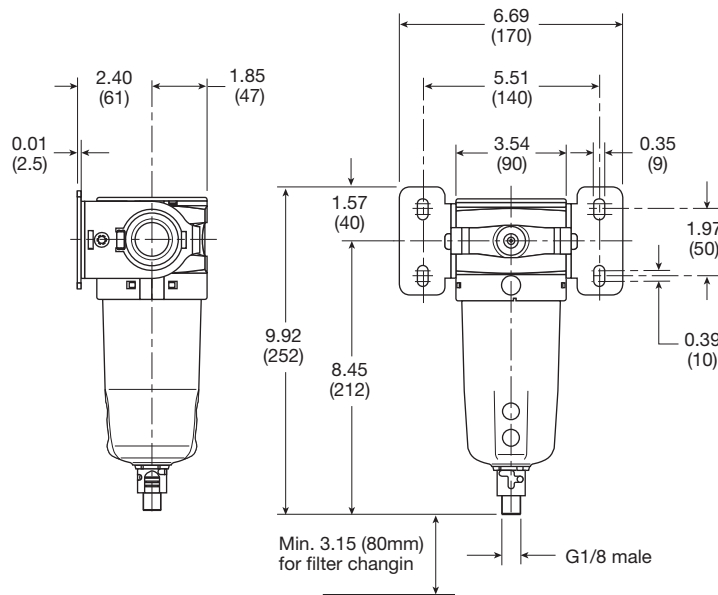
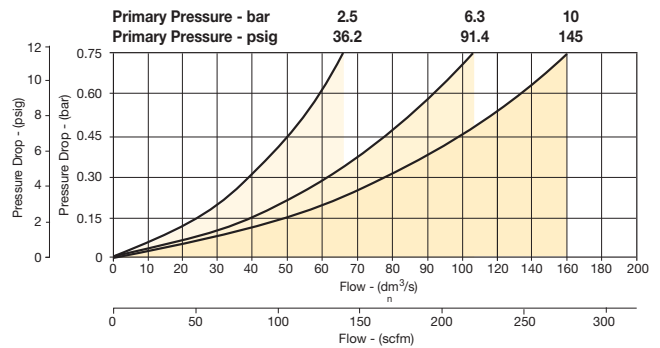
5 micron element kit	<b>P3YKA00ESE</b>
40 micron element kit	<b>P3YKA00ESG</b>
Bowl kit with combined manual / semi auto drain	<b>P3YKA00BSC</b>
Bowl kit with auto drain	<b>P3YKA00BSA</b>

**Flow characteristics**

**(3/4") Filter**



**(1") Filter**



Inches (mm)

**C**

**P3Y Products**

**Filters**

**Coalescers**

**Regulators**

**Filter / Regulators**

**Lubricators**

**Combinations**

**Accessories and Kits**



For inventory, lead time, and kit lookup, visit [www.pdnplu.com](http://www.pdnplu.com)

## P3Y Coalescing Filter

- Extended high efficiency filter element provides greater filtration surface area.
- Integral 3/4" or 1" ports (BSPP & NPT)
- Removes liquid aerosols and sub micron particles
- Oil free air for critical applications, such as air gauging, pneumatic instrumentation and control
- Adsorber activated carbon element removes oil vapors and most hydrocarbons
- Robust but lightweight aluminum construction

**Notes:** To optimize the life of the coalescing element, it is advisable to install a P3YFA pre-filter with a 5 micron element upstream of the coalescing filter.

To optimize the life of the adsorber element, it is advisable to install a P3Y coalescing 0.01 micron filter upstream of the adsorber filter.



### Operating information

Supply pressure (max)*:	254 psig (17.5 bar)
Operating temperature:	14°F to 140°F (-10°C to 60°C)
Manual / auto drain:	Closed at 11.6 psig (0.8 bar) G1/8 thread male
Media specifications:	
Adsorber, max oil carryover	0.008 mg/m <sup>3</sup> (PPM w/w)
Bowl capacity:	4.4 US oz. (130 cm <sup>3</sup> )
Standard filtration:	0.01 micron
Flow capacity†:	3/4" 275 scfm (176.9 dm <sup>3</sup> /s, ANR) 1" 307 scfm (144.8 dm <sup>3</sup> /s, ANR)
Fluid:	Compressed air
Weight:	3.5 lb (1.6 kg)

† Inlet pressure 91.4 psig (6.3 bar) inlet pressure and 7.3 psig (0.5 bar) pressure.

\* Air supply must be dry enough to avoid ice formation at temperatures below 35.6°F (2°C).

Port size	Description	Part number
3/4"	Coalescing filter 0.01 micron, combined manual / semi-auto drain	<b>P3YFA96DSCN</b>
3/4"	Coalescing filter 0.01 micron, auto drain	<b>P3YFA96DSAN</b>
1"	Coalescing filter 0.01 micron, combined manual / semi-auto drain	<b>P3YFA98DSCN</b>
1"	Coalescing filter 0.01 micron, auto drain	<b>P3YFA98DSAN</b>

### Ordering Information:

<b>P3YFA</b>		<b>9</b>	<b>6</b>	<b>D</b>	<b>SC</b>	<b>N</b>
<b>Basic series</b>	<b>Thread type*</b>	<b>Port size</b>	<b>Element</b>	<b>Drain type</b>		
Coalescing Filter P3YFA	BSPP 1 NPT 9	3/4 6 1 8	D 0.01 micron element with DPI standard C 0.01 micron element (without DPI optional) A Adsorber	SC Combined manual / semi auto drain SA Auto drain		
<p>* Note: For 1-1/2" ported unit, please order P3YKA*BCP port block kit separately.</p>						

Most popular.



For inventory, lead times, and kit lookup, visit [www.pdnplu.com](http://www.pdnplu.com)

# Coalescing Filter

## Material specifications

Body	Aluminium
Sight glass and bowl	Polypropylene
Filter cover	ABS
Coalescing element	Borosilicate & nano fibers
Top & bottom end cap (coalescing)	Aluminium
Adsorber element	Activated carbon
Top & bottom end cap (adsorber)	Glass filled nylon
Support cylinders	Grade 430 stainless steel
Support media	Polypropylene
Anti re-entrainment barrier	Polyester
Encapsulation	Epoxy resin / hardener
Seals	Nitrile NBR
Manual / semi-auto drain	Acetal
Auto drain	PA / Ø 10mm brass connection
Differential pressure indicator, body	Acetal
Differential pressure indicator, internal parts	Acetal
Differential pressure indicator, spring	Stainless steel
Differential pressure indicator, seals	Nitrile NBR
Differential pressure indicator, support plate	ABS
Differential pressure indicator, screws	Steel / zinc plated

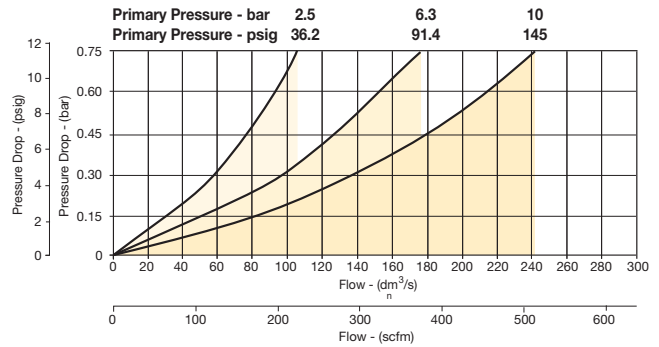
## Repair and Service Kits

0.01 micron element kit	<b>P3YKA00ESC</b>
Adsorber element kit	<b>P3YKA00ESA</b>
Bowl kit with combined manual / semi auto drain	<b>P3YKA00BSC</b>
Bowl kit with auto drain	<b>P3YKA00BSA</b>
Differential pressure indicator kit	<b>P3YKA00RQ</b>

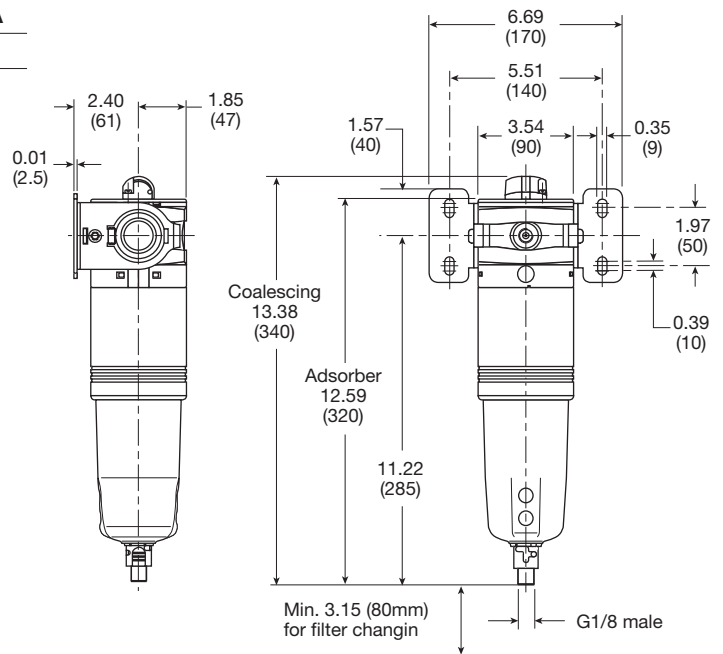
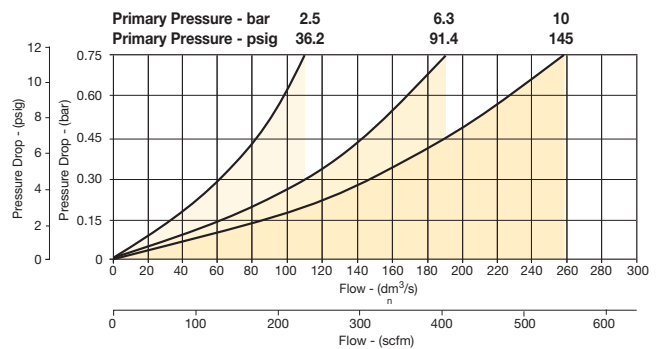
# Air Preparation Products P3Y Series

## Flow characteristics

### (3/4") 0.01 Micron Coalescing Filter Saturated



### (1") 0.01 Micron Coalescing Filter Saturated



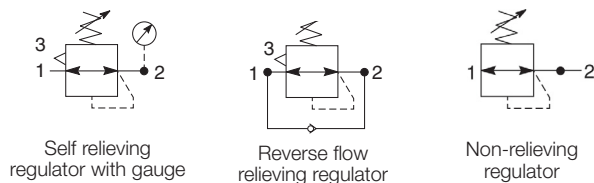
Inches (mm)



For inventory, lead time, and kit lookup, visit [www.pdnplu.com](http://www.pdnplu.com)

## P3Y Regulators

- Integral 3/4" or 1" ports (BSPP and NPT)
- Robust but lightweight aluminium construction
- Secondary pressure ranges 12 and 16 bar
- Rolling diaphragm for extended life
- Secondary aspiration plus rolling diaphragm provides quick response and accurate pressure regulation
- Optional tamperproof regulator padlock
- Reverse flow / relieving option
- Low temperature -40°C (-40°F)



### Operating information

Supply pressure (max)*:	254 psig (17.5 bar)
Operating temperature:	-40°F to 140°F (-40°C to 60°C)
Flow capacity†:	3/4" 380 scfm (179.3 dm³/s, ANR) 1" 550 scfm (259.6 dm³/s, ANR)
Fluid:	Compressed air
Gauge port (x2):	1/4"
Weight:	2.4 lb (1.08 kg)

† Inlet pressure 145 psig (10 bar) inlet pressure, 91.4 psig (6.3 bar) set pressure and 7.3 psig (0.5 bar) pressure drop.

\* Air supply must be dry enough to avoid ice formation at temperatures below 35.6°F (2°C).

Port size	Description	Part number
3/4"	174 psig relieving	<b>P3YRA96BNEN</b>
3/4"	174 psig relieving + pressure gauge	<b>P3YRA96BNFN</b>
1"	174 psig relieving	<b>P3YRA98BNEN</b>
1"	174 psig relieving + pressure gauge	<b>P3YRA98BNFN</b>

### Ordering information

<b>P3YRA</b>	<b>9</b>	<b>6</b>	<b>B</b>	<b>N</b>	<b>E</b>	<b>N</b>
<b>Basic series</b>	<b>Thread type*</b>	<b>Port size</b>	<b>Relief</b>	<b>Lockable</b>	<b>Adjustment range</b>	
Regulator P3YRA	BSPP 1 NPT 9	3/4 6 1 8	B Relieving R Reverse flow / relieving	N Standard A† Lockable	E 0 to 174 psi (0 to 12 bar), no gauge H 0 to 232 psi (0 to 16 bar), no gauge F 0 to 174 psi (0 to 12 bar), gauge J 0 to 232 psi (0 to 16 bar), gauge	

**Notes:**

\* For 1-1/2" ported unit, please order P3YKA\*B\*CP port block kit separately.  
 † Not field convertible.

Most popular.



For inventory, lead times, and kit lookup, visit [www.pdnplu.com](http://www.pdnplu.com)

P3Y Products  
 Filters  
 Coalescers  
 Regulators  
 Filter / Regulators  
 Lubricators  
 Combinations  
 Accessories and Kits

# Regulators

## Material specifications

Body	Aluminium
Bonnet	Glass filled polyamide
Regulator cover	ABS
Control knob	Glass filled polyamide
Valve	Brass / NBR
Seals	Nitrile NBR
Screws	Steel / zinc plated

## Repair and Service Kits

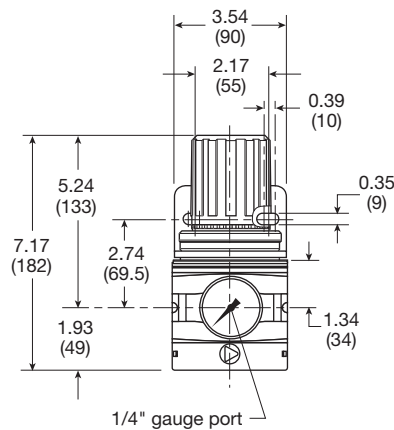
Angle bracket + metal lock ring	<b>P3YKA00MS</b>
Panel mounting nut	<b>P3YKA00MM</b>
Diaphragm kit (relieving type)	<b>P3YKA00RR</b>
Diaphragm kit (non-relieving type)	<b>P3YKA00RN</b>
0 to 160 psig (0 to 10 bar), gauge 1/4" port	<b>K4520N14160</b>
0 to 300 psig (0 to 20 bar), gauge 1/4" port	<b>K4520N14300</b>

**WARNING**

**Product rupture can cause serious injury. Do not connect regulator to bottled gas. Do not exceed Maximum primary pressure rating.**

### CAUTION:

**REGULATOR PRESSURE ADJUSTMENT** – The working range of knob adjustment is designed to permit outlet pressures within their full range. Pressure adjustment beyond this range is also possible because the knob is not a limiting device. This is a common characteristic of most industrial regulators, and limiting devices may be obtained only by special design. For best performance, regulated pressure should always be set by increasing the pressure up to the desired setting.



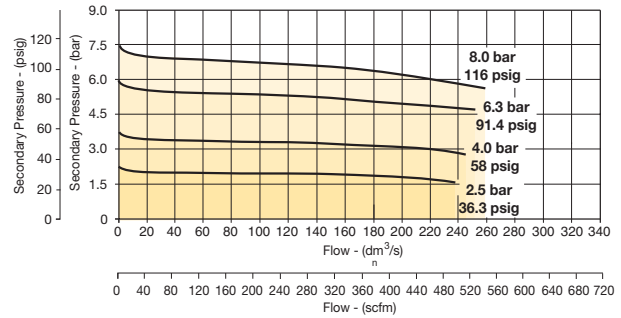
Inches (mm)

# Air Preparation Products

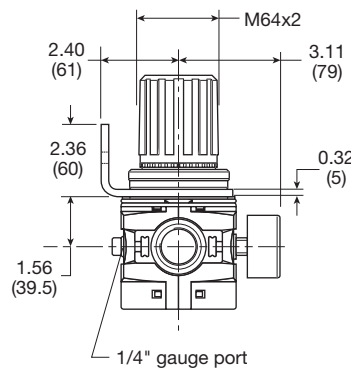
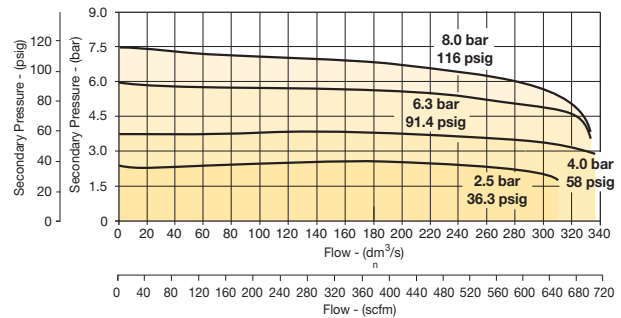
## P3Y Series

## Flow characteristics

### (3/4") Regulator



### (1") Regulator



P3Y Products

Filters

Coalescers

Regulators

Filter / Regulators

Lubricators

Combinations

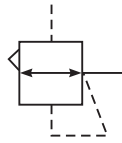
Accessories and Kits



For inventory, lead time, and kit lookup, visit [www.pdnplu.com](http://www.pdnplu.com)

## P3Y Pilot Operated Regulator

- Integral 3/4" or 1" ports (BSPP & NPT)
- Pilot controlled regulators can be mounted "out of reach" with pilot regulator installed in a convenient location
- Constant pilot bleed control for accurate pressure control
- Balanced poppet provides quick response
- High flow



Port size	Description	Part number
3/4"	Pilot operated regulator	<b>P3YRA96BPPN</b>
1"	Pilot operated regulator	<b>P3YRA98BPPN</b>

### Operating information

Supply pressure (max):	254 psig (17.5 bar)
Operating temperature:	-40°F to 140°F (-40°C to 60°C)
Flow capacity†:	3/4" 550 scfm (259.6 dm³/s, ANR) 1" 550 scfm (259.6 dm³/s, ANR)
Fluid:	Compressed air
Weight:	2.6 lb (1.2 kg)
† Inlet pressure 145 psig (10 bar) inlet pressure, 91.4 psig (6.3 bar) set pressure and 7.3 psig (0.5 bar) pressure drop.	

### Ordering information

P3YRA
|
9
|
6
|
BPPN

Basic series	Thread type*	Port size
Pilot Operated Regulator	BSPP	3/4" 6
P3YRA	NPT	1" 8

\* Note: For 1-1/2" ported unit, please order P3YKA\*BCP port block kit separately.

Most popular.



For inventory, lead times, and kit lookup, visit [www.pdnplu.com](http://www.pdnplu.com)

- C
- P3Y Products
- Filters
- Coalescers
- Regulators
- Filter / Regulators
- Lubricators
- Combinations
- Accessories and Kits



# Pilot Operated Regulators

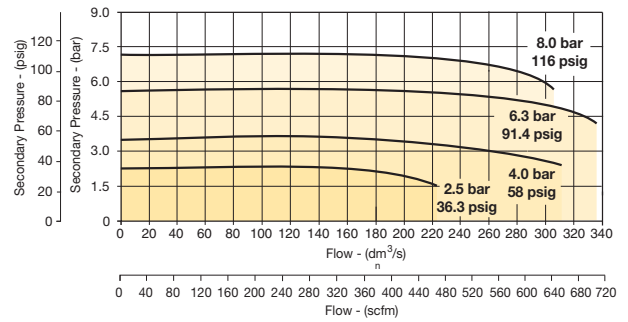
# Air Preparation Products P3Y Series

## Material specifications

Body	Aluminium
Body cover	ABS
Valve	Brass / NBR composite
Pilot valve booster	Aluminum
Seals	Nitrile NBR
Screws	Zinc plated steel

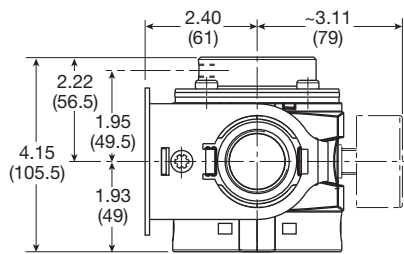
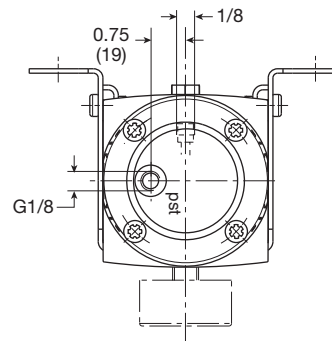
## Flow characteristics

### 3/4" and 1" Pilot Regulator

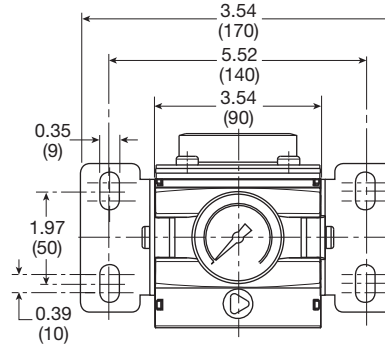


### WARNING

Product rupture can cause serious injury.  
Do not connect regulator to bottled gas.  
Do not exceed Maximum primary pressure rating.



Inches (mm)



P3Y Products

Filters

Coalescers

Regulators

Filter /  
Regulators

Lubricators

Combinations

Accessories  
and Kits



For inventory, lead time, and kit lookup, visit [www.pdnplu.com](http://www.pdnplu.com)

C11

**Parker Hannifin Corporation**  
Pneumatic Division  
Richland, Michigan  
[www.parker.com/pneumatics](http://www.parker.com/pneumatics)

## P3Y Proportional Pressure Regulator

- Integral 3/4" or 1" ports (BSPP & NPT)
- Accurate output pressure
- Very fast response times
- Robust but lightweight design



Port size	Description	Part number
3/4"	Normally closed, 0 - 10 bar (0 to 145 psig)	<b>P3YPA96BD2VA2A</b>
1"	Normally closed, 0 - 10 bar (0 to 145 psig)	<b>P3YPA98BD2VA2A</b>

### Operating information

Operating pressure:	P <sup>1</sup> min	14.5 psig (1 bar)	Power consumption:	I <sub>Bmax</sub>	0.15 A
Inlet pressure <sup>1</sup> :	P <sup>1</sup> max	232 psig (16 bar)	Set value input:	U <sub>w</sub>	V 0-10
Operating pressure:	P <sup>2</sup> min	2.9 psig (0.2 bar)		I	mA 0-20
Outlet pressure:	P <sup>2</sup> max	145 psig (10 bar)			mA 4-20
Operating temperature:		32°F to 122°F (0°C to 50°C)	Input resistance:	R <sub>E</sub>	243 K Ω
Flow capacity <sup>†</sup> :		706 scfm (33.2 dm <sup>3</sup> /s, ANR)	Actual valve output:	U <sub>x</sub>	0 - 10 V
		l/min 20000	Output current:	I <sub>Amax</sub>	10 mA
		m <sup>3</sup> /h 1200	Degree of protection:		IP65 to DIN 40050, EN 60529
Hysteresis:	P <sup>2</sup> max	< 1%	Fluid:		Compressed air
Repeatability:	P <sup>2</sup> max	< 0.5%	Weight:		1.2 lb (2.7 kg)
Sensitivity:	P <sup>2</sup> max	< 0.5%	1) p <sup>1</sup> > p <sup>2</sup> + 10% p <sup>2</sup>		
Linearity:	P <sup>2</sup> max	< 1%	2) at p <sup>1</sup> - 10 bar to p <sup>2</sup> - 6.3 bar		
Nominal voltage:		U <sub>n</sub> V DC 24 V = ± 10%	† Inlet pressure 91.4 psig (6.3 bar) inlet pressure and 7.3 psig (0.5 bar) pressure drop.		
Residual ripple:		10%			

### Ordering information

**P3YPA 9 6 B D 2 A A 2 A**

<b>Basic series</b> Proportional Pressure Regulator P3YPA	<b>Thread type*</b> BSPP 1 NPT 9	<b>Version</b> Side exhaust, NC (Normally closed) B Side exhaust, NO (Normally open) C	<b>Control signal</b> A 4-20 mA V 0-10 V	<b>Input connector</b> 2 M12 (5-pin)
<b>Port size</b> 3/4 6 1 8	<b>Pressure range</b> 0-10 bar (0-145 psig) D	<b>Power supply</b> 2 24 volts	<b>Output signal</b> A Analog 0-10 V	

\* Note: For 1-1/2" ported unit, please order P3YKA\*BCP port block kit separately.

Most popular.



For inventory, lead times, and kit lookup, visit [www.pdnplu.com](http://www.pdnplu.com)

C12

**Parker Hannifin Corporation**  
 Pneumatic Division  
 Richland, Michigan  
[www.parker.com/pneumatics](http://www.parker.com/pneumatics)

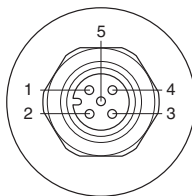
**Material specifications**

Housing	Aluminium
Pilot valve booster	Brass / NBR composite aluminium
Standard seals	NBR
Body cover screws	Steel / zinc plated

**Cables**

Type	Part number
M12, 5-pin female to flying lead cable, TPE; 2m (6.6 ft)	<b>RKC 4.5T-2/S1587</b>

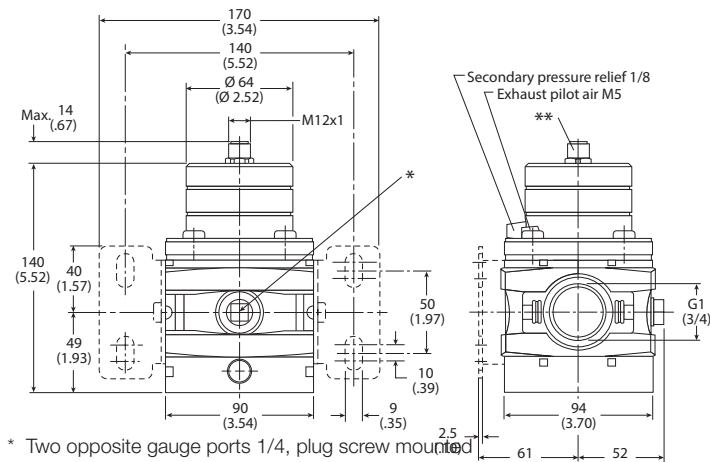
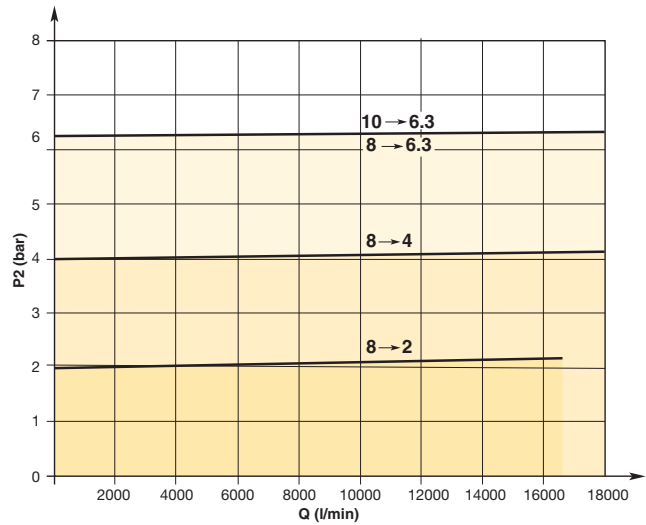
**Connection diagram**



**Connector M12 x 1**

Pin No.	Function
1 24 V	Supply
2 0 V	Reference & mass capacity
3 0 - 10 V	Set value input
4 0 V	Signal
5 0 - 10 V	Analog output

**Flow characteristics**



\* Two opposite gauge ports 1/4, plug screw mounted  
\*\* Connection for 5-pin plug M12 x 1

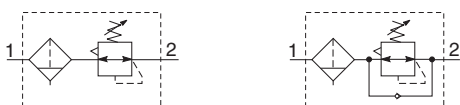
<b>C</b>
P3Y Products
Filters
Coalescers
Regulators
Filter / Regulators
Lubricators
Combinations
Accessories and Kits



For inventory, lead time, and kit lookup, visit [www.pdnplu.com](http://www.pdnplu.com)

## P3Y Filter / Regulator

- Integral 3/4" or 1" ports (BSPP or NPT)
- High efficiency element as standard
- Excellent water removal efficiency
- Robust but lightweight aluminium construction
- Secondary pressure ranges 12 and 16 bar
- Rolling diaphragm for extended life
- Secondary aspiration plus balanced poppet provides quick response and accurate pressure regulation.
- Reverse flow / relieving option
- Low temperature -40°C (-40°F) with combined manual / semi-auto drain as standard



Port size	Description (0 to 174 psi)	Part number
3/4"	Relieving, combined manual / semi-auto drain	<b>P3YEA96ESCBNEN</b>
3/4"	Relieving, auto drain	<b>P3YEA96ESABNEN</b>
3/4"	Relieving, gauge, combined manual / semi-auto drain	<b>P3YEA96ESCBNFN</b>
3/4"	Relieving, gauge, auto drain	<b>P3YEA96ESABNFN</b>
1"	Relieving, combined manual / semi-auto drain	<b>P3YEA98ESCBNEN</b>
1"	Relieving, auto drain	<b>P3YEA98ESABNEN</b>
1"	Relieving, gauge, combined manual / semi-auto drain	<b>P3YEA98ESCBNFN</b>
1"	Relieving, gauge, auto drain	<b>P3YEA98ESABNFN</b>

### Operating information

Supply pressure (max)*:	254 psig (17.5 bar)
Operating temperature:	14°F to 140°F (-10°C to 60°C)
Auto drain	-40°F to 140°F (-40°C to 60°C)
Combined drain	
Standard filtration:	5 micron
Manual / semi-auto drain:	Closed at 11.6 psig (0.8 bar) G1/8 thread male
Auto drain bowl pressure:	Closed at 11.6 psig (0.8 bar)
Bowl capacity:	4.4 US oz. (130 cm <sup>3</sup> )
Standard filtration:	5 micron
Flow capacity†:	3/4" 335 scfm (158.1 dm <sup>3</sup> /s, ANR) 1" 465 scfm (219.5 dm <sup>3</sup> /s, ANR)
Fluid:	Compressed air
Gauge port (x2):	1/4"
Weight:	3.3 lb (1.5 kg)

† Inlet pressure 91.4 psig (6.3 bar) inlet pressure and 7.3 psig (0.5 bar) pressure drop.

\* Air supply must be dry enough to avoid ice formation at temperatures below 35.6°F (2°C).

**Air quality:**  
 Within ISO 8573-1: 1991 Class 3 and 5 (Particulates)  
 Within ISO 8573-1: 2001 Class 6 and 7 (Particulates)

### Ordering information

<b>P3YEA</b>	<b>9</b>	<b>6</b>	<b>E SA</b>	<b>B</b>	<b>N</b>	<b>E</b>	<b>N</b>
<b>Basic series</b> Filter / Regulator P3YEA	<b>Thread type*</b> BSPP 1 NPT 9	<b>Port size</b> 3/4 6 1 8	<b>Drain type</b> SC Combined manual / semi-auto drain SA Auto drain	<b>Relief</b> B Relieving R Reverse flow / relieving	<b>Lockable</b> N Standard A† Lockable	<b>Adjustment range</b> E 0 to 174 psi (0 to 12 bar), no gauge H 0 to 232 psi (0 to 16 bar), no gauge F 0 to 174 psi (0 to 12 bar), gauge J 0 to 232 psi (0 to 16 bar), gauge	
<b>Notes:</b> * For 1-1/2" ported unit, please order P3YKA*BCP port block kit separately. † Not field convertible.			<b>Element</b> E 5 micron				

Most popular.



For inventory, lead times, and kit lookup, visit [www.pdnplu.com](http://www.pdnplu.com)

C14

**Parker Hannifin Corporation**  
 Pneumatic Division  
 Richland, Michigan  
[www.parker.com/pneumatics](http://www.parker.com/pneumatics)

## Filter / Regulators

### Material specifications

Body	Aluminium
Sight glass and bowl	Polypropylene
Body cover	ABS
Element	Sintered polypropylene
Seals	Nitrile NBR
Manual / semi-auto drain	Acetal
Auto drain	PA / Ø 10mm brass connection
Bonnet	Glass filled polyamide
Control Knob	Glass filled polyamide
Valve	Brass / NBR
Screws	Steel / zinc plated

### Repair and Service Kits

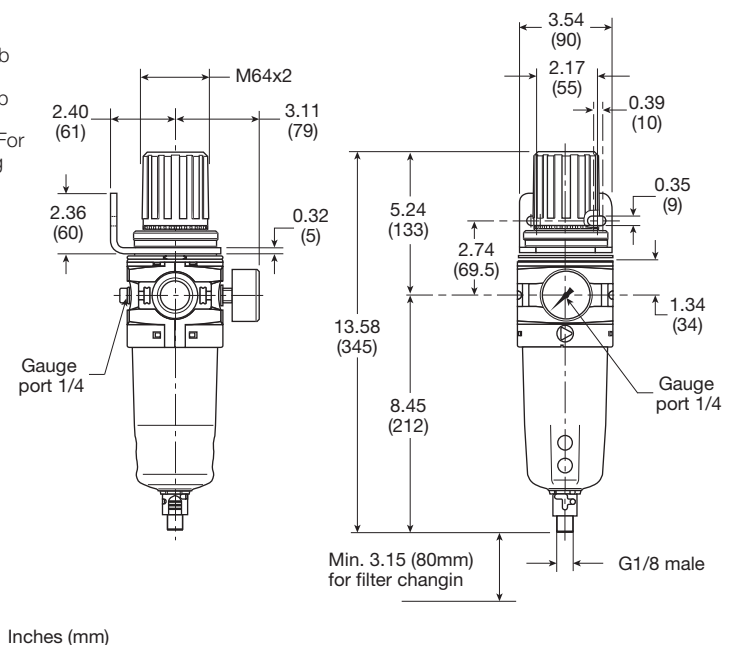
5 micron element kit	<b>P3YKA00ESE</b>
Bowl kit with combined manual/semi auto drain	<b>P3YKA00BSC</b>
Bowl kit with auto drain	<b>P3YKA00BSA</b>
Key lock kit	<b>P3XKA00AS</b>
Diaphragm kit (relieving type)	<b>P3YKA00RR</b>
Diaphragm kit (non-relieving type)	<b>P3YKA00RN</b>
Angle bracket + metal lock ring	<b>P3YKA00MS</b>
Panel mount nut	<b>P3YKA00MM</b>

### WARNING

**Product rupture can cause serious injury.  
Do not connect regulator to bottled gas.  
Do not exceed Maximum primary pressure rating.**

### CAUTION:

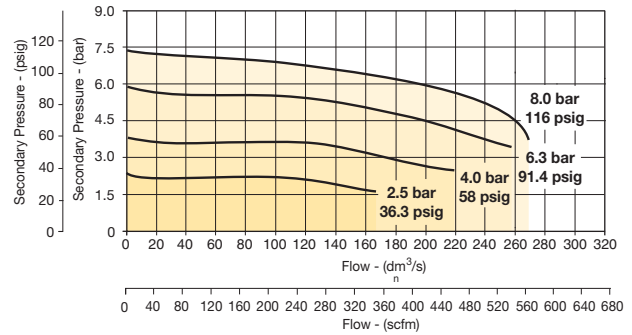
**REGULATOR PRESSURE ADJUSTMENT** – The working range of knob adjustment is designed to permit outlet pressures within their full range. Pressure adjustment beyond this range is also possible because the knob is not a limiting device. This is a common characteristic of most industrial regulators, and limiting devices may be obtained only by special design. For best performance, regulated pressure should always be set by increasing the pressure up to the desired setting.



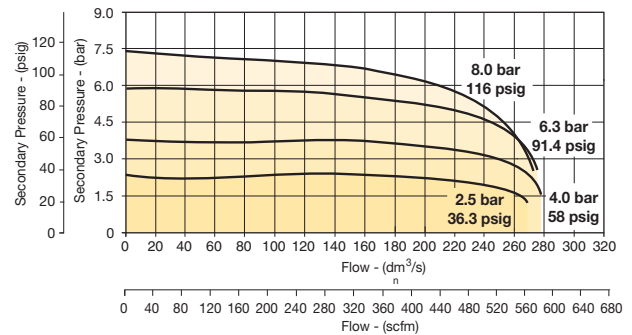
## Air Preparation Products P3Y Series

### Flow characteristics

#### (3/4") 5 Micron Filter / Regulator



#### (1") 5 Micron Filter / Regulator



P3Y Products

Filters

Coalescers

Regulators

Filter /  
Regulators

Lubricators

Combinations

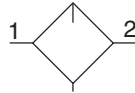
Accessories  
and Kits



For inventory, lead time, and kit lookup, visit [www.pdnplu.com](http://www.pdnplu.com)

## P3Y Lubricator

- Integral 3/4" or 1" ports (BSPP and NPT)
- Robust but lightweight aluminium construction
- Proportional oil delivery over a wide range of air flows
- Possible to fill under system pressure eliminating down time
- Large oil reservoir



Lubricator with drain

### Operating information

Supply pressure (max)*:	254 psig (17.5 bar)
Operating temperature*:	14°F to 140°F (-10°C to 60°C)
Flow capacity†:	3/4" 315 scfm (148.2 dm³/s, ANR) 1" 390 scfm (184.1 dm³/s, ANR)
Fluid:	Compressed air
Weight:	1.8 lb (0.8 kg)

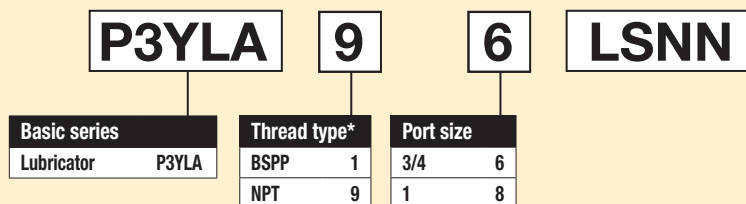
† Inlet pressure 91.4 psig (6.3 bar) inlet pressure and 7.3 psig (0.5 bar) pressure drop.

\* Air supply must be dry enough to avoid ice formation at temperatures below 35.6°F (2°C).

Low flow start point (lubrication pick-up): at 6.3 bar (91.4 psig) inlet pressure 0.5 dm³/s (1.1 scfm).

Port size	Description	Part number
3/4"	Oil mist, fill under pressure	<b>P3YLA96LSNN</b>
1"	Oil mist, fill under pressure	<b>P3YLA98LSNN</b>

### Ordering information



\* **Note:** For 1-1/2" ported unit, please order P3YKA\*BCP port block kit separately.

Most popular.



For inventory, lead times, and kit lookup, visit [www.pdnplu.com](http://www.pdnplu.com)

# Lubricators

## Material specifications

Body	Aluminium
Sight glass and bowl	Polypropylene
Sight dome	Polyamide
Lubricator cover	ABS
Top & bottom end cap	Glass filled nylon
Bayonet support	Nylon
Seals	Nitrile NBR

## Repair and Service Kits

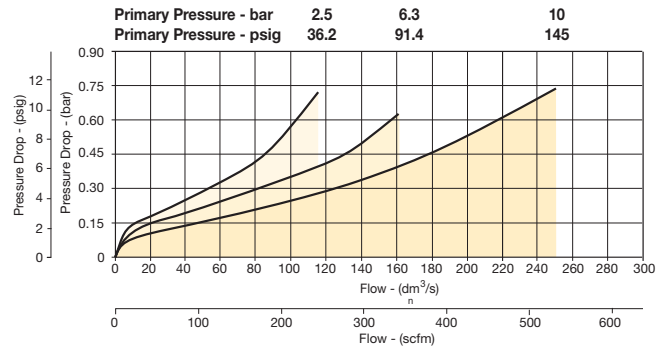
Bowl kit	<b>P3YKA00BSN</b>
Refill plug	<b>P3YKA00PL</b>
Oil (1 quart)	<b>F442001</b>
Oil (1 gallon)	<b>F442002</b>
Oil (12 quart case)	<b>F442003</b>
Oil (4 gallon case)	<b>F442005</b>

# Air Preparation Products

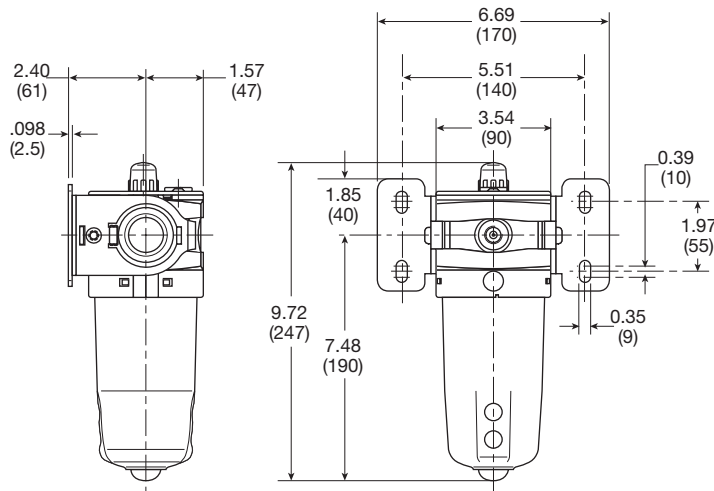
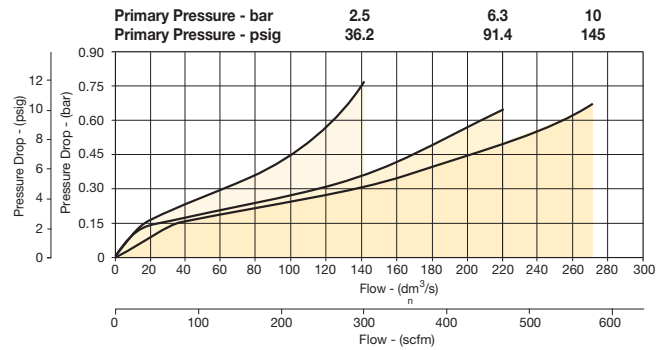
## P3Y Series

## Flow characteristics

### (3/4") Lubricator



### (1") Lubricator



Inches (mm)



P3Y Products

Filters

Coalescers

Regulators

Filter / Regulators

Lubricators

Combinations

Accessories and Kits



For inventory, lead time, and kit lookup, visit [www.pdnplu.com](http://www.pdnplu.com)

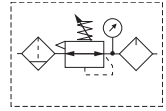
C17

**Parker Hannifin Corporation**  
 Pneumatic Division  
 Richland, Michigan  
[www.parker.com/pneumatics](http://www.parker.com/pneumatics)

## P3Y Combinations



### Filter + Regulator + Lubricator Combinations 5 micron element, 12 bar (174 psig) regulator + gauge and wall mounting bracket

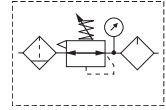


Port size	Flow <sup>‡</sup> scfm	Weight lb (kg)	Combined manual / semi-auto drain <sup>†</sup>	Auto drain <sup>†</sup>
3/4"	170	7.3 (3.3)	<b>P3YCB96SECNFLNF</b>	<b>P3YCB96SEANFLNF</b>
1"	170	7.3 (3.3)	<b>P3YCB98SECNFLNF</b>	<b>P3YCB98SEANFLNF</b>

† Standard part numbers shown in bold. For other models refer to Options chart below.  
 ‡ Flow with 10 bar (145 psig) inlet pressure, 6.3 bar (91.4 psig) set pressure and 1 bar (14.5 psig) pressure drop.



### Filter / Regulator + Lubricator Combinations 5 micron element, 12 bar (174 psig) regulator + gauge and wall mounting bracket



Port size	Flow <sup>‡</sup> scfm	Weight lb (kg)	Combined manual / semi-auto drain <sup>†</sup>	Auto drain <sup>†</sup>
3/4"	315	6.2 (2.8)	<b>P3YCA96SECNFLNF</b>	<b>P3YCA96SEANFLNF</b>
1"	340	6.2 (2.8)	<b>P3YCA98SECNFLNF</b>	<b>P3YCA98SEANFLNF</b>

† Standard part numbers shown in bold. For other models refer to Options chart below.  
 ‡ Flow with 10 bar (145 psig) inlet pressure, 6.3 bar (91.4 psig) set pressure and 1 bar (14.5 psig) pressure drop.

### Ordering Information:

<b>P3YCA</b>		<b>9</b>	<b>6</b>	<b>SE</b>	<b>C</b>	<b>N</b>	<b>F</b>	<b>LNF</b>
<b>Basic series</b>		<b>Thread type*</b>	<b>Port size</b>	<b>Drain type</b>		<b>Adjustment range</b>		
Filter / Regulator + Lubricator	P3YCA	BSPP 1	3/4 6	C	Combined manual / semi-auto drain	F	0-12 bar (0 to 174 psi) with gauge	
Filter + Regulator + Lubricator	P3YCB	NPT 9	1 8	A	Auto drain	J	0-16 bar (0 to 232 psi) with gauge	

\* Note: For 1-1/2" ported unit, please order P3YKA\*BCP port block kit separately.

### ⚠ WARNING

**Product rupture can cause serious injury.  
 Do not connect regulator to bottled gas.  
 Do not exceed Maximum primary pressure rating.**

### CAUTION:

#### REGULATOR PRESSURE ADJUSTMENT -

The working range of knob adjustment is designed to permit outlet pressures within their full range. Pressure adjustment beyond this range is also possible because the knob is not a limiting device. This is a common characteristic of most industrial regulators, and limiting devices may be obtained only by special design. For best performance, regulated pressure should always be set by increasing the pressure up to the desired setting.

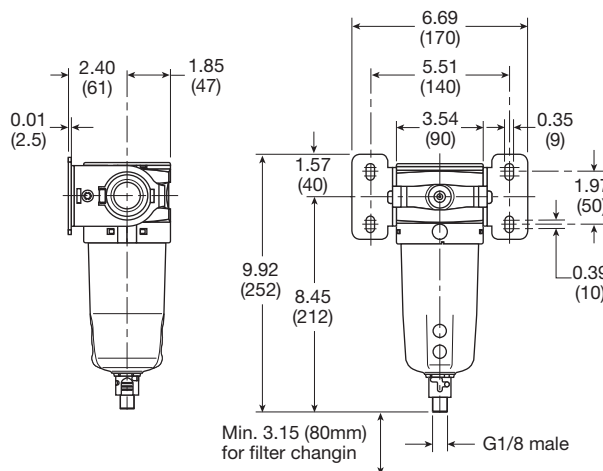
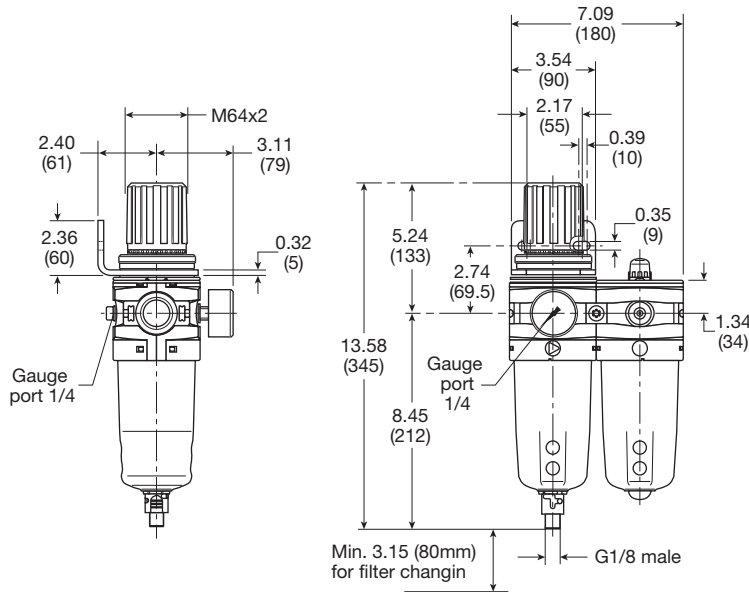
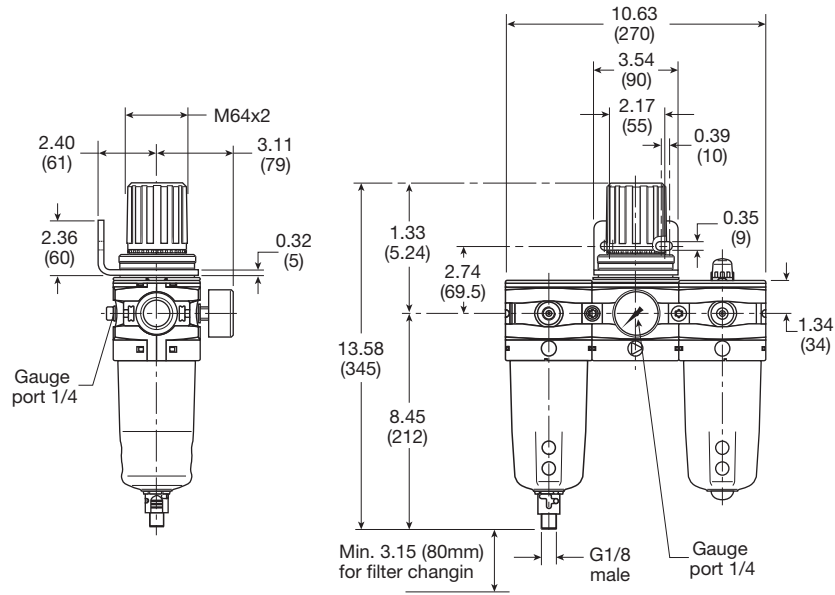
Most popular.



For inventory, lead times, and kit lookup, visit [www.pdnplu.com](http://www.pdnplu.com)



**P3Y Combinations**



C	P3Y Products
Filters	Coalescers
Regulators	Filter / Regulators
Lubricators	Combinations
Accessories and Kits	



For inventory, lead time, and kit lookup, visit [www.pdnplu.com](http://www.pdnplu.com)

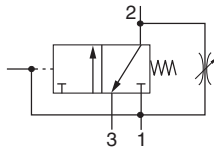
## P3Y Combined Soft Start / Dump Valve

- Modular design with 3/4" & 1" integral ports (BSPP or NPT)
- Provides for the safe introduction of pressure
- Automatically dumps downstream pressure on the loss of pilot signal
- Adjustable slow start
- Solenoid or air pilot options
- High flow & exhaust capability



P3Y Series Combined Soft Start / Dump Valves, provide for the safe introduction of pressure to machines or systems. Soft Start / Dump Valves when set, allow the pressure to gradually build to the set point before fully opening to deliver full flow at line pressure.

The controlled introduction of pressure can be an important safety factor and prevent damage to tooling when air pressure is introduced at machine or system start up.



Port size	Description	Part number
3/4"	Air pilot operated	<b>P3YTA96PPN</b>
3/4"	24VDC 30mm coil	<b>P3YTA96SCNA2CN</b>
1"	Air pilot operated	<b>P3YTA98PPN</b>
1"	24VDC 30mm coil	<b>P3YTA98SCNA2CN</b>

### Operating information

Operating pressure (max):	30mm coil	232 psig (16 bar)
Operating pressure (min):		2.9 psig (0.2 bar)
Operating temperature*:	Solenoid operated	14°F to 140°F (-10°C to 60°C)
	Air pilot operated	14°F to 140°F (-10°C to 60°C)
Air pilot port:		1/8"
Exhaust port:		1"
Gauge port:		1/4"
Flow capacity†:	3/4"	371 scfm (175.1 dm³/s, ANR)
	1"	424 scfm (200.1 dm³/s, ANR)
Fluid:		Compressed air
Weight:	Air pilot	3.1 lb (1.4 kg)
	30mm coil	3.5 lb (1.6 kg)

† Inlet pressure 91.4 psig (6.3 bar) inlet pressure and 7.3 psig (0.5 bar) pressure drop.

\* Air supply must be dry enough to avoid ice formation at temperatures below 35.6°F (2°C).

Snap pressure: Full flow when downstream pressure reaches 50% of the inlet pressure.

### Ordering information

<b>P3YTA</b>	<b>9</b>	<b>6</b>	<b>P</b>	<b>C</b>	<b>N</b>	<b>Solenoid type only</b>	<b>A</b>	<b>2</b>	<b>C</b>	<b>N</b>
<b>Basic series</b>	<b>Thread type*</b>	<b>Pilot type</b>	<b>Actuator interface</b>	<b>Solenoid voltage</b>	<b>Solenoid type</b>					
Soft Start / Dump Valve P3YTA	BSPP 1 NPT 9	External air pilot P Solenoid pilot S	30mm operator C Threaded air pilot P	2CN 24VDC	A 30mm CNOMO coil D 30mm CNOMO coil (M12 connection)					
	<b>Port size</b>									
	3/4 6 1 8									

\* Note: For 1-1/2" ported unit, please order P3YKA\*BCP port block kit separately.

Most popular.



For inventory, lead times, and kit lookup, visit [www.pdnplu.com](http://www.pdnplu.com)

C20

**Parker Hannifin Corporation**  
 Pneumatic Division  
 Richland, Michigan  
[www.parker.com/pneumatics](http://www.parker.com/pneumatics)

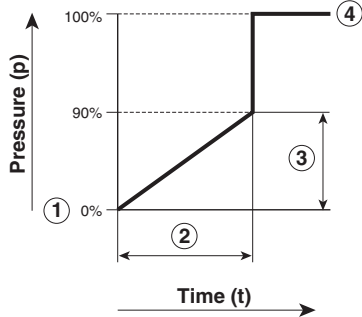
**Soft Start / Dump Valve**

**Material specifications**

Body	Aluminium
Body cover	ABS
Valve	Brass / NBR composite
Pilot valve booster	Aluminum
Seals	Nitrile NBR

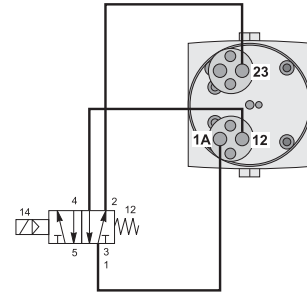
**Note:** For solenoid coil and cable plug options see solenoid operator pages.

**Flow characteristics**

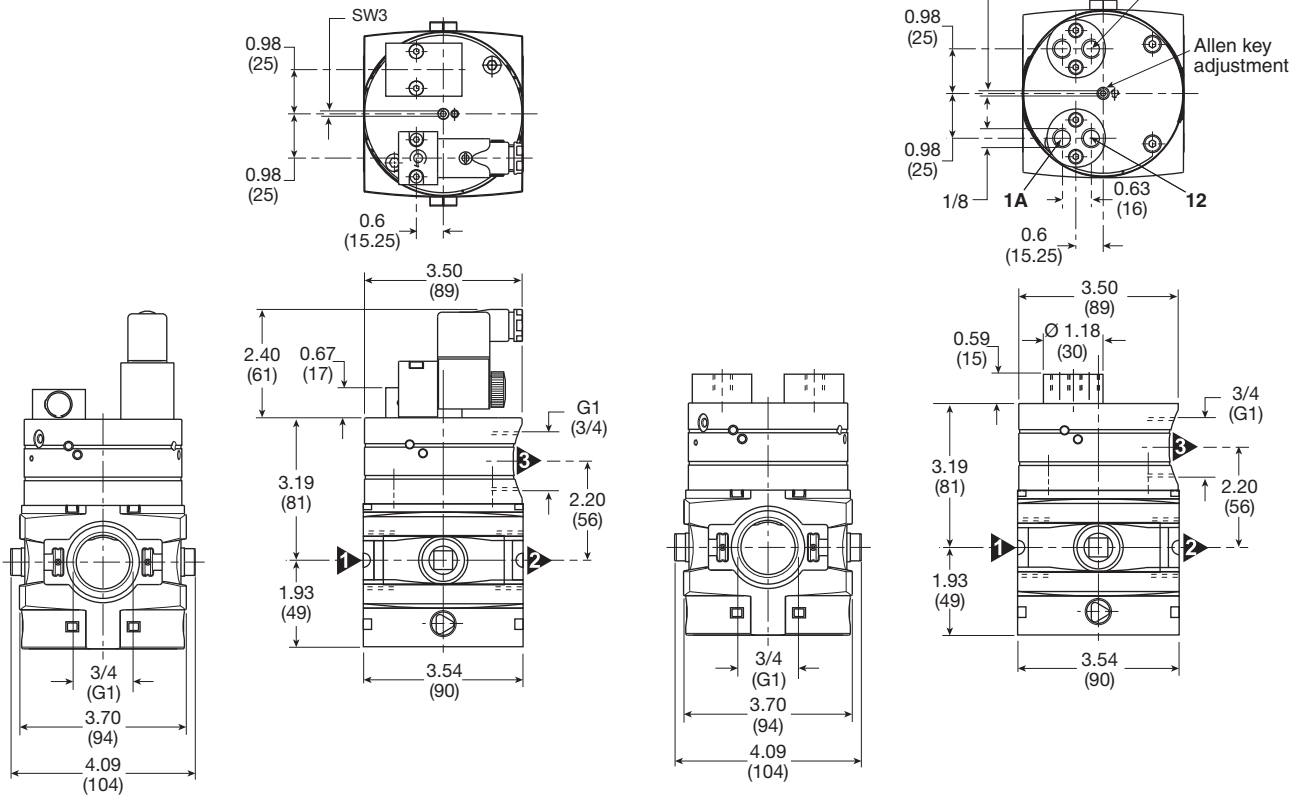
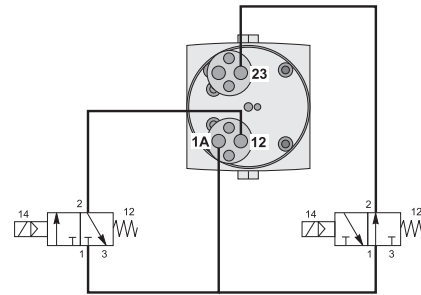


- ① Start signal
- ② Switching time delay
- ③ Gradual pressure build up
- ④ Operating pressure  $p^2 (= p^1)$

**Combined start / stop function**



**Combined start / stop function with acknowledgement**



Inches (mm)



P3Y Products

Filters

Coalescers

Regulators

Filter / Regulators

Lubricators

Combinations

Accessories and Kits



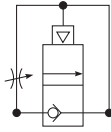
For inventory, lead time, and kit lookup, visit [www.pdnplu.com](http://www.pdnplu.com)

C21

**Parker Hannifin Corporation**  
Pneumatic Division  
Richland, Michigan  
[www.parker.com/pneumatics](http://www.parker.com/pneumatics)

## P3Y Soft Start Valve

- Integral 3/4" or 1" ports
- Smooth start-up of pneumatic system
- Air pilot operation
- Adjustable slow start
- High flow



Port size	Description	Part number
3/4"	Soft start valve	<b>P3YSA96Y0N</b>
1"	Soft start valve	<b>P3YSA98Y0N</b>

### Material specifications

Body	Aluminium
Body cover	ABS
Valve	Brass / NBR composite
Pilot valve booster	Aluminum
Seals	Nitrile NBR

### Operating information

Operating pressure (max):	254 psig (17.5 bar)
Operating pressure (min):	29 psig (2 bar)
Operating temperature*:	
Solenoid operated	14°F to 140°F (-10°C to 60°C)
Air pilot operated	14°F to 140°F (-10°C to 60°C)
Flow capacity†:	
3/4"	324 scfm (152.9 dm³/s, ANR)
1"	324 scfm (152.9 dm³/s, ANR)
Fluid:	Compressed air
Weight:	1.8 lb (0.8 kg)

† Inlet pressure 91.4 psig (6.3 bar) inlet pressure and 7.3 psig (0.5 bar) pressure drop.

\* Air supply must be dry enough to avoid ice formation at temperatures below 35.6°F (2°C).

Snap pressure: Full flow when downstream pressure reaches 50% of the inlet pressure.

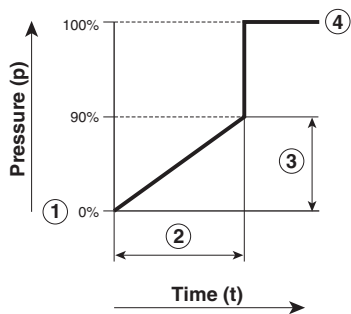
### Ordering information

**P3YSA 9 6 Y 0 N**

Basic series		Thread type*		Port size	
Soft Start Valve	P3YSA	BSPP	1	3/4	6
		NPT	9	1	8

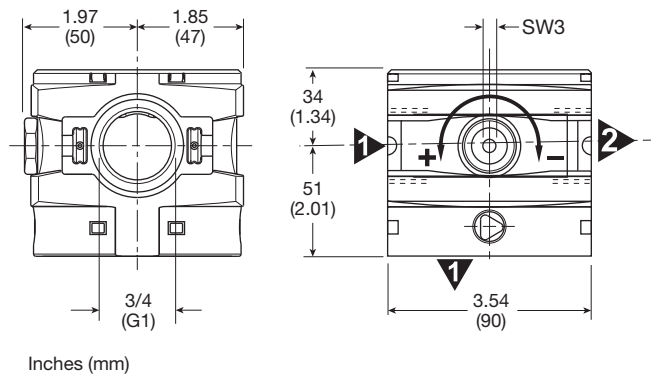
\* Note: For 1-1/2" ported unit, please order P3YKA\*BCP port block kit separately.

### Flow characteristics



- Start signal
- Switching time delay
- Gradual pressure build up
- Operating pressure  $p^2 (= p^1)$

Most popular.



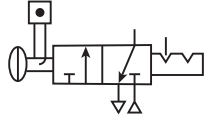
For inventory, lead times, and kit lookup, visit [www.pdnplu.com](http://www.pdnplu.com)

C22

**Parker Hannifin Corporation**  
 Pneumatic Division  
 Richland, Michigan  
[www.parker.com/pneumatics](http://www.parker.com/pneumatics)

## P3Y Modular Ball Valve

- Positive bubble tight shut-off
- 90° turn handle to prevent unauthorized adjustment
- Pad lockable (up to 6 times)
- When the inlet pressure is turned off the downstream vents through the exhaust port



Ball / Lockout Valve shuts off downstream line pressure in the closed position with a 90° turn of the handle. In the closed position, inlet air pressure is blocked and downstream / system air is exhausted through a threaded port. To prevent unauthorized adjustment, the padlock slide may be assembled on either side. It is recommended that this slide is installed after final system assembly.

The Safety Lockout valves conform to OSHA #29 CFR part 1910 – control of hazardous energy source (lockout / tagout).

### Operating information

Operating pressure (max):	254 psig (17.5 bar)
Operating pressure (min):	29 psig (2 bar)
Operating temperature:	14°F to 140°F (-10°C to 60°C)
Flow capacity <sup>†</sup> :	3/4" 705.6 scfm (333 dm <sup>3</sup> /s, ANR) 1" 705.6 scfm (333 dm <sup>3</sup> /s, ANR)
Weight:	3/4" 2.4 lb (1.1 kg) 1" 2.4 lb (1.1 kg)

### Ordering information

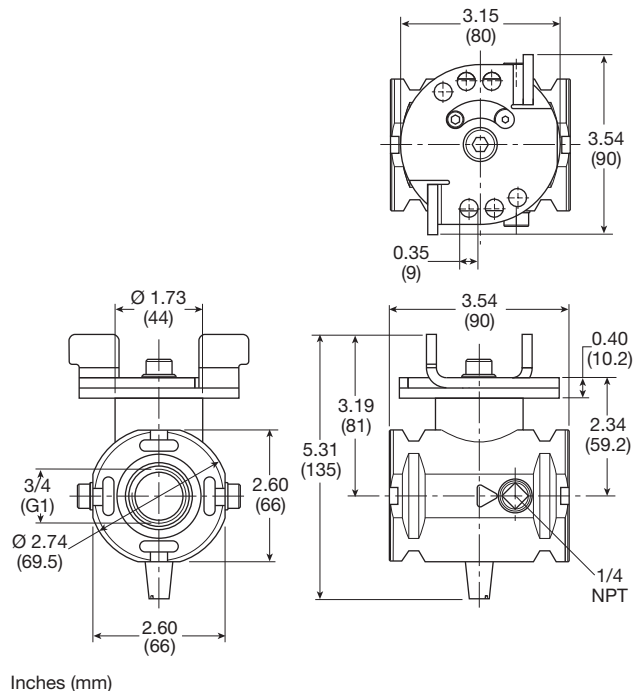
P3YVA
9
6
LBN

Basic series	Thread type*	Port size
Modular Ball Valve P3YVA	BSPP 1	3/4 6
	NPT 9	1 8

\* Note: For 1-1/2" ported unit, please order P3YKA\*BCP port block kit separately.

### Material Specifications

Body	Aluminium
Valve ball	Brass / nickle plated
Handle	Aluminum
Seals	Nitrile NBR
Exhaust silencer	Sintered bronze



For inventory, lead time, and kit lookup, visit [www.pdnplu.com](http://www.pdnplu.com)

**Modular Manifold**



P3Y Series Manifolds provide up to 4 extra outlet ports. They may be assembled at any position in a combination e.g. before the lubricator to provide oil free take off or at the end of a combination to provide extra outlet ports.

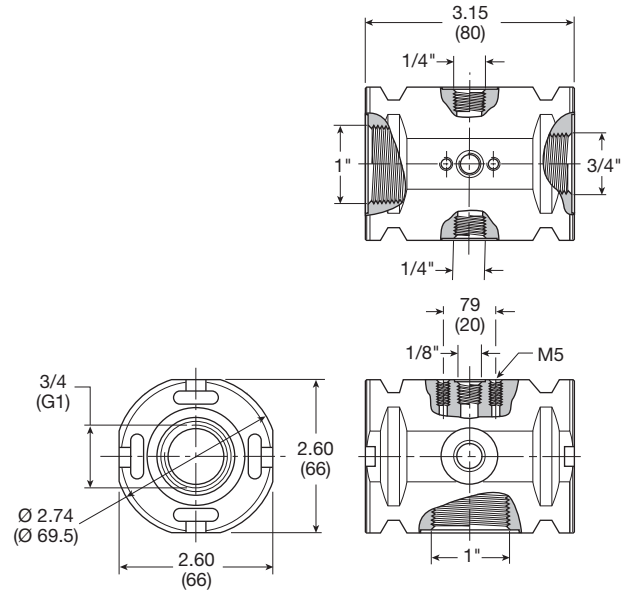
Thread type	Part number
BSPP	<b>P3YMA1V0N</b>
NPT	<b>P3YMA9V0N</b>

**Port sizes**

Inlet port	Top	Bottom	Front and Back
3/4"	1/8"	1"	1/4"
1"	1/8"	1"	1/4"

**Material specifications**

Body	Aluminium
Weight	0.7 kg (1.5 lb)



Inches (mm)

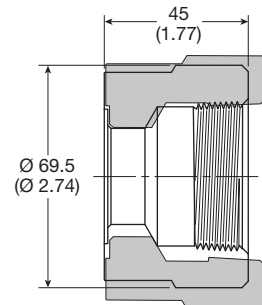
**Optional Port Block Kits**



- To change port sizes Port Block Kits are available, they are attached to any unit utilizing the connecting kit.
- Allows assemblies to be removed from a hard piped system.

**Material specifications**

Body	Aluminium
Weight	0.65 kg (1.43 lb)



Inches (mm)

**Ordering information**

<b>P3YKA</b>	<b>9</b>	<b>B</b>	<b>CP</b>
<b>Basic series</b>	<b>Thread type</b>	<b>Port size</b>	
Port Blocks P3YKA	BSPP 1 NPT 9	1-1/2	B

P3Y Products  
 Filters  
 Coalescers  
 Regulators  
 Filter / Regulators  
 Lubricators  
 Combinations  
 Accessories and Kits



For inventory, lead times, and kit lookup, visit [www.pdnplu.com](http://www.pdnplu.com)

**Solenoid Operators - CNOMO**

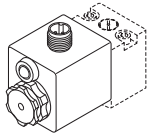
**Technical data -**

**Solenoid operators, coil combinations**

	NC Normal Operator with 22 x 30 standard coil	NC Normal Operator with 30 x 30 standard coil
Working pressure	0 to 10 bar	0 to 10 bar
Ambient temperature	-10°C to 60°C *	-10°C to 60°C *
Power (DC)	4.8W	2.7W
Power (AC)	8.5VA	4.9VA
Voltage tolerance	+/-10%	+/-10%
Duty cycle	100%	100%
Insulation class	F	F
Electric connection	B Industrial	DIN 43650A
Protection	IP65	IP65
Approval		UL/CSA
Working media	All neutral media such as compressed air	

\* Limited to 50°C if use with 100% duty cycle

**Solenoid Coils with M12 Connection**



Voltage	Part number	Weight (Kg)
Direct current		
24VDC	<b>P2FC6449</b>	0.065

**Transients**

Interrupting the current through the solenoid coil produces momentary voltage peaks which, under unfavorable conditions, can amount to several hundred times the rated operating voltage. Normally, these transients do not cause problems, but to achieve the Maximum life of relays in the circuit (and particularly of transistors, thyristors and integrated circuits) it is desirable to provide protection by means of voltage-dependent resistors (varistors). All connectors/cable plugs EN175301-803 with LED's include this type of circuit protection.

**Materials**

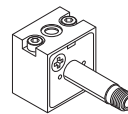
**Pilot Valve**

Body:	Polyamide
Armature tube:	Brass
Plunger & core:	Corrosion resistant Cr-Ni steel
Seals:	Fluorocarbon
Screws:	Stainless steel

**Coil**

Encapsulation material:	Thermoplastic as standard Duroplast for M12 connection
-------------------------	---

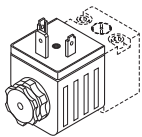
**Spare Base Solenoid Pilot Operator  
 CNOMO NC**



Description	Part number	Weight (Kg)
Non-lock Manual Override	<b>P2FP23N4B</b>	0.065
No Override	<b>P2FP23N4A</b>	0.065

**Note:** Solenoid pilot operators are fitted to the Global range. Order the above part numbers for spares. The operators are supplied with mounting screws and interface 'O' rings. Coils and connectors must be ordered separately.

**Solenoid Coils with DIN A or Industrial B Connection**



Voltage	22mm x 30mm Part number B industrial standard	Weight (Kg)	30mm x 30mm Part number DIN 43650A standard	Weight (Kg)
Direct current				
24VDC	<b>P2FCB449</b>	0.093	<b>P2FCA449</b>	0.105
Alternative current				
110V 50Hz, 120V 60Hz	<b>P2FCB453</b>	0.093	<b>P2FCA453</b>	0.105

Most popular.

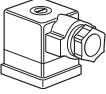
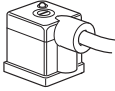


For inventory, lead time, and kit lookup, visit [www.pdnplu.com](http://www.pdnplu.com)

C25

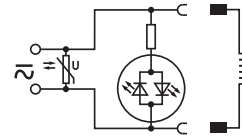
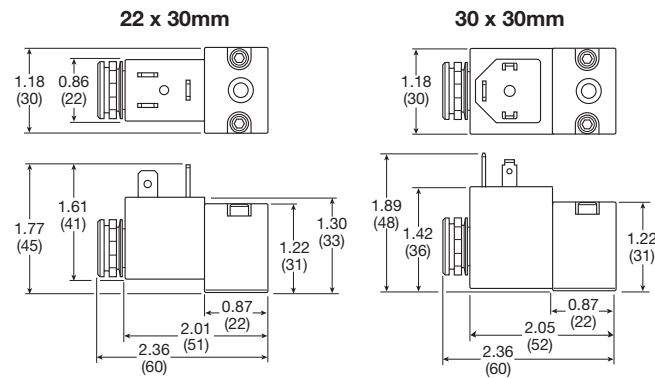
**Parker Hannifin Corporation**  
 Pneumatic Division  
 Richland, Michigan  
[www.parker.com/pneumatics](http://www.parker.com/pneumatics)

**Solenoid Connectors / Cable Plugs EN175301-803**

	Description	Part number 22mm Form B Industrial	Part number 30mm Form A DIN 43650A
	With standard screw	<b>PS2429BP</b>	<b>PS2028BP</b>
	Standard IP65 without flying lead		
	With LED and protection 24VAC/DC		
	With LED and protection 110VAC	<b>PS243079BP</b>	<b>PS203279BP</b>
	Standard with 2m cable IP65	<b>PS243083BP</b>	<b>PS203283BP</b>
	24VAC/DC, 2m cable LED and protection IP65	<b>PS2429JBP</b>	<b>PS2028JCP</b>
	110VAC/DC, 2m cable LED and protection IP65	<b>PS2430J79BP</b>	<b>PS2032J79CP</b>
		<b>PS2430J83BP</b>	<b>PS2032J83CP</b>

**Solenoid coil dimensions mm (inches)**

**Electrical schematics**



PS243079BP	PS203279BP
PS2430J79BP	PS2032J79CP
PS243083BP	PS203283BP
PS2430J83BP	PS2032J83CP
PS294679BP	PS294683BP
PS2946J79BP	PS2946J83BP

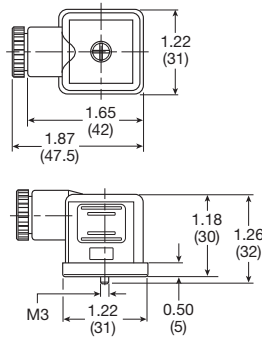
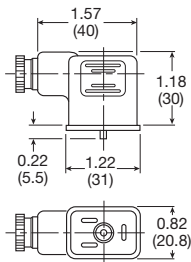
**Cable plug dimensions mm (inches)**

22mm Form B industrial cable plugs

30mm DIN 43650A cable plugs

**PS2429BP**

**PS2028BP**



Most popular.








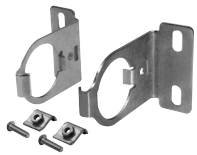


For inventory, lead times, and kit lookup, visit [www.pdnplu.com](http://www.pdnplu.com)

P3Y Products  
 Filters  
 Coalescers  
 Regulators  
 Filter / Regulators  
 Lubricators  
 Combinations  
 Accessories and Kits



**Accessories**

Description	Connection	Weight lb (kg)	Part number		
0.01 micron element kit			<b>P3YKA00ESC</b>		
5 micron element kit			<b>P3YKA00ESE</b>		
Adsorber element kit			<b>P3YKA00ESA</b>		
Angle bracket + metal lock ring			<b>P3YKA00MS</b>		
Bowl kit with combined manual / semi-auto drain			<b>P3YKA00BSC</b>		
Bowl kit with auto drain			<b>P3YKA00BSA</b>		
Bowl kit			<b>P3YKA00BSN</b>		
Connector o-ring kit	Qty: 5		<b>P3YKA08CY</b>		
Differential pressure indicator kit			<b>P3YKA00RQ</b>		
Diaphragm kit (relieving type)			<b>P3YKA00RR</b>		
Diaphragm kit (non-relieving type)			<b>P3YKA00RN</b>		
Key lock (replacement)			<b>P3XKA00AS</b>		
Lubricator oil	F442001 - 1 Qt.	2.03 (0.92)	<b>F442001</b>		
	F442002 - 1 Gal		<b>F442002</b>		
Neck mounting bracket kit		8.27 (3.75)	<b>P3YKA00MS</b>		
P3Y connecting kit		0.11 (0.05)	<b>P3YKA00CB</b>		
Panel mounting nut (Aluminium)		1.54 (0.70)	<b>P3YKA00MM</b>		
Pressure gauge	0 to 160 psig (0 to 10 bar)	1/4"	0.13 (0.06)	<b>K4520N14160</b>	
	0 to 300 psig (0 to 20 bar)	1/4"	0.13 (0.06)	<b>K4520N14300</b>	
Refill plug			<b>P3YKA00PL</b>		
Wall mounting brackets		0.44 (0.2)	<b>P3YKA00CW</b>		

 Most popular.



For inventory, lead time, and kit lookup, visit [www.pdnplu.com](http://www.pdnplu.com)



P3Y Products

Filters

Coalescers

Regulators

Filter /  
Regulators

Lubricators

Combinations

Accessories  
and Kits

C

P3Y Products



For inventory, lead times, and kit lookup, visit [www.pdnplu.com](http://www.pdnplu.com)

C28

**Parker Hannifin Corporation**  
Pneumatic Division  
Richland, Michigan  
[www.parker.com/pneumatics](http://www.parker.com/pneumatics)



**Air Preparation Products**  
**14 Series Products**

<a href="#">14F Particulate Filters</a>	D2-D3
<a href="#">10F Coalescing Filters</a>	D4-D5
<a href="#">14R Regulators</a>	D6-D7
<a href="#">14E Filter / Regulators</a>	D8-D9
<a href="#">04L Lubricators</a>	D10-D11
<a href="#">14A / 14G Combinations</a>	D12-D13

**D**

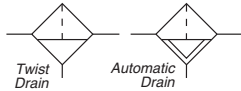
**14 Series  
Products**



For inventory, lead time, and kit lookup, visit [www.pdnplu.com](http://www.pdnplu.com)

**14F Particulate Filters – Miniature**

- Excellent water removal efficiency
- Unique deflector plate that creates swirling of the air stream ensuring maximum water and dirt separation
- Easily disassembled for servicing without the use of tools
- 5 micron element standard
- Interchangeable twist and automatic pulse drains
- 1/8" & 1/4" ports (NPT, BSPP & BSPT)



Port size	Description †	Part number
1/8"	Poly bowl, twist drain	<b>14F01BB</b>
1/8"	Metal bowl, twist drain	<b>14F03BB</b>
1/8"	Poly bowl, auto pulse drain	<b>14F05BB</b>
1/8"	Metal bowl, auto pulse drain	<b>14F07BB</b>
1/4"	Poly bowl, twist drain	<b>14F11BB</b>
1/4"	Metal bowl, twist drain	<b>14F13BB</b>
1/4"	Poly bowl, auto pulse drain	<b>14F15BB</b>
1/4"	Metal bowl, auto pulse drain	<b>14F17BB</b>

† For polycarbonate bowl, see caution in Engineering Section A.

**Operating information**

Supply pressure (max):		
Plastic bowl		0 to 150 psig (0 to 10.3 bar)
Metal bowl		0 to 250 psig (0 to 17.2 bar)
Auto pulse drain		10 to 250 psig (0.7 to 17.2 bar)
Operating temperature:		
Plastic bowl		32°F to 125°F (0°C to 52°C)
Metal bowl		32°F to 175°F (0°C to 80°C)
Auto pulse drain		125°F (52°C) or less
Flow capacity†:		
High flow	1/8"	22 scfm (10.4 dm <sup>3</sup> /s, ANR)
	1/4"	24 scfm (11.3 dm <sup>3</sup> /s, ANR)
Bowl capacity:		1 oz.
Auto pulse drain tube barb		1/8 inch
Weight:		0.41 lb (0.18 kg)

† scfm = Standard cubic feet per minute at 90 psig inlet and 5 psig pressure drop.

**Ordering information:**

**14F 1 1 B B**

Port Size	
1/8 inch	0
1/4 inch	1

Port Type	
Blank	NPT
1	BSPP
2	BSPT

Bowl Options	
Poly bowl, twist drain	1
Poly bowl, auto pulse drain	5
Metal bowl, twist drain	3
Metal bowl, auto pulse drain	7

Engineering Level	
B	Current

Element	
A	40 Micron
B	5 Micron
Z	Adsorber

Most popular.



For inventory, lead times, and kit lookup, visit [www.pdnplu.com](http://www.pdnplu.com)

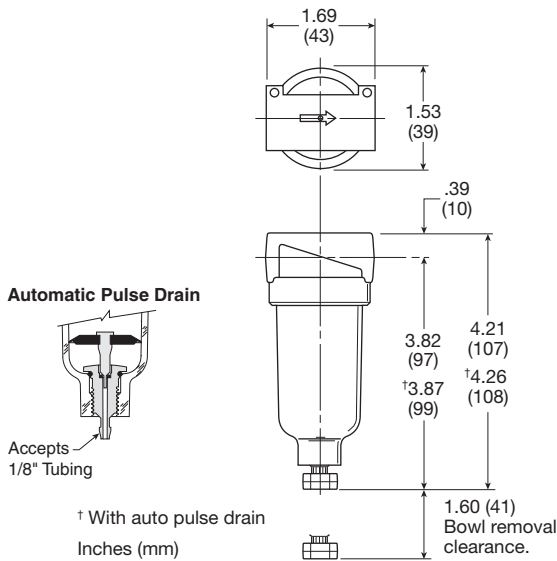
# Miniature Particulate Filters

## Material Specifications

Body	Zinc
Transparent bowl	Polycarbonate
Metal bowl without sight gauge	Zinc
Deflector, element holder & baffle	Plastic
Twist drain, body & stem	Plastic
Twist drain, seals	Nitrile
Auto pulse drain, piston & seals	Nitrile
Auto pulse drain, stem, seat, adaptor & washers	Aluminum
Element	Plastic
Adsorber (optional)	Activated charcoal
Seals	Nitrile

## Repair and Service Kits

Poly bowl / auto pulse drain	<b>PS408BP</b>
Poly bowl / twist drain	<b>PS404P</b>
Metal bowl / auto pulse drain	<b>PS451BP</b>
Metal bowl / twist drain	<b>PS447BP</b>
40 Micron element	<b>PS401P</b>
5 Micron element	<b>PS403P</b>
5 Micron cartridge kit	<b>PS407P</b>
Adsorber element	<b>PS452P</b>
Mounting bracket kit	<b>PS417BP</b>

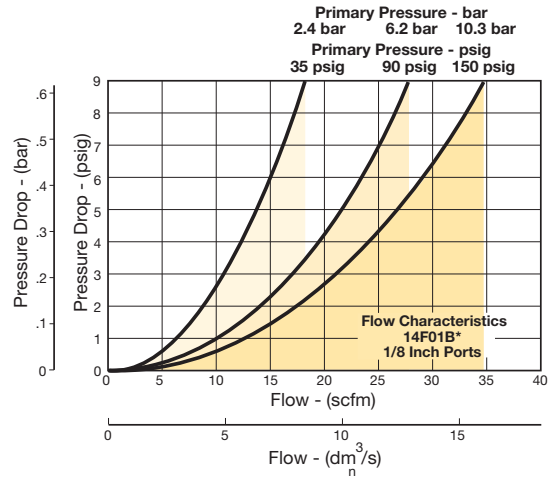


# Air Preparation Products

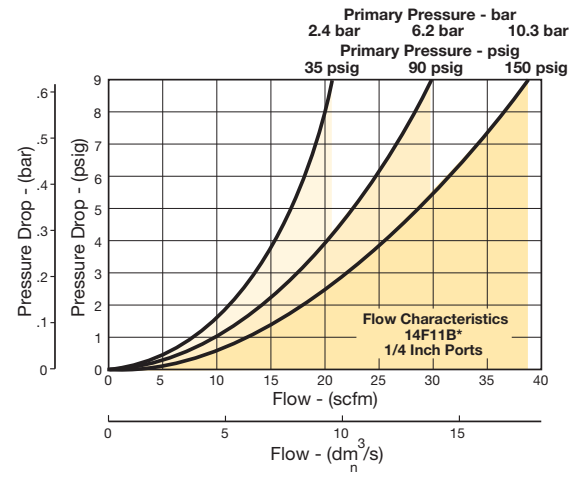
## 14 Series

## Flow Charts

### 14F 1/8" Particulate Filter



### 14F 1/4" Particulate Filter



**D**

14 Series  
Products

Filters

Coalescers

Regulators

Filter /  
Regulators

Lubricators

Combinations



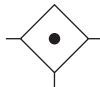
For inventory, lead time, and kit lookup, visit [www.pdnplu.com](http://www.pdnplu.com)

D3

**Parker Hannifin Corporation**  
Pneumatic Division  
Richland, Michigan  
[www.parker.com/pneumatics](http://www.parker.com/pneumatics)

**10F Coalescing Filters – Miniature**

- Removes liquid aerosols and sub-micron particles.
- Liquids gravitate to the bottom of the element and will not re-enter the airstream.
- Oil free air for critical applications, such as air gauging and pneumatic instrumentation and controls.
- Interchangeable twist and automatic pulse drains.
- Grade 6 element, 99.97% DOP efficiency
- 1/8", 1/4" ports (NPT, BSPP, BSPT)



Port size	Description ‡	Part number
1/8"	Poly bowl, twist drain	<b>10F01ED</b>
1/8"	Metal bowl, twist drain	<b>10F03ED</b>
1/8"	Poly bowl, auto pulse drain	<b>10F05ED</b>
1/8"	Metal bowl, auto pulse drain	<b>10F07ED</b>
1/4"	Poly bowl, twist drain	<b>10F11ED</b>
1/4"	Metal bowl, twist drain	<b>10F13ED</b>
1/4"	Poly bowl, auto pulse drain	<b>10F15ED</b>
1/4"	Metal bowl, auto pulse drain	<b>10F17ED</b>

Standard part numbers shown bold, with Grade 6 Elements (for Grade 10 Elements, replace "E" with "H" in the 6th position). For other models refer to ordering information below.

‡ For polycarbonate bowl, see caution in Engineering Section A.

**Operating information**

Supply pressure (max):		
Plastic bowl		0 to 150 psig (0 to 10.3 bar)
Metal bowl		0 to 250 psig (0 to 17.2 bar)
Auto pulse drain		10 to 250 psig (0.7 to 17.2 bar)
Operating pressure drop:		
Normal		2 psig (0.14 bar)
Max recommended		10 psig (0.7 bar)
(Element should be replaced)		
Operating temperature:		
Plastic bowl		32°F to 125°F (0°C to 52°C)
Metal bowl		32°F to 175°F (0°C to 80°C)
Auto pulse drain		125°F (52°C) or less
Flow capacity†:	Grade 6	1/8" 17 scfm (8 dm <sup>3</sup> /s, ANR)
	(0.01 micron)	1/4" 20 scfm (9.4 dm <sup>3</sup> /s, ANR)
	Grade 10	1/8" 19 scfm (9 dm <sup>3</sup> /s, ANR)
	(1.0 micron)	1/4" 24 scfm (11.3 dm <sup>3</sup> /s, ANR)
Bowl capacity:		1 oz.
Auto pulse drain tube barb		1/8 inch
Weight:		0.41 lb (0.18 kg)
† scfm = Standard cubic feet per minute at 90 psig inlet and 5 psig pressure drop.		

**Ordering information:**

<b>10F</b>	<b>1</b>	<b>1</b>	<b>E</b>	<b>D</b>	<b> </b>																					
<table border="1"> <thead> <tr><th>Port Size</th></tr> </thead> <tbody> <tr><td>1/8 inch</td><td>0</td></tr> <tr><td>1/4 inch</td><td>1</td></tr> </tbody> </table>		Port Size	1/8 inch	0	1/4 inch	1	<table border="1"> <thead> <tr><th>Bowl Options</th></tr> </thead> <tbody> <tr><td>Poly bowl, twist drain</td><td>1</td></tr> <tr><td>Poly bowl, auto pulse drain</td><td>5</td></tr> <tr><td>Metal bowl, twist drain</td><td>3</td></tr> <tr><td>Metal bowl, auto pulse drain</td><td>7</td></tr> </tbody> </table>		Bowl Options	Poly bowl, twist drain	1	Poly bowl, auto pulse drain	5	Metal bowl, twist drain	3	Metal bowl, auto pulse drain	7	<table border="1"> <thead> <tr><th>Port Type</th></tr> </thead> <tbody> <tr><td>Blank</td><td>NPT</td></tr> <tr><td>1</td><td>BSPP</td></tr> <tr><td>2</td><td>BSPT</td></tr> </tbody> </table>		Port Type	Blank	NPT	1	BSPP	2	BSPT
Port Size																										
1/8 inch	0																									
1/4 inch	1																									
Bowl Options																										
Poly bowl, twist drain	1																									
Poly bowl, auto pulse drain	5																									
Metal bowl, twist drain	3																									
Metal bowl, auto pulse drain	7																									
Port Type																										
Blank	NPT																									
1	BSPP																									
2	BSPT																									
			<table border="1"> <thead> <tr><th>Engineering Level</th></tr> </thead> <tbody> <tr><td>D</td><td>Current</td></tr> </tbody> </table>			Engineering Level	D	Current																		
Engineering Level																										
D	Current																									
			<table border="1"> <thead> <tr><th>Element</th></tr> </thead> <tbody> <tr><td>E</td><td>Grade 6</td></tr> <tr><td>H</td><td>Grade 10</td></tr> </tbody> </table>			Element	E	Grade 6	H	Grade 10																
Element																										
E	Grade 6																									
H	Grade 10																									

Most popular.



For inventory, lead times, and kit lookup, visit [www.pdnplu.com](http://www.pdnplu.com)

# Miniature Coalescing Filters

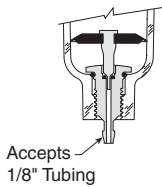
## Material Specifications

Body	Zinc
Transparent bowl	Polycarbonate
Metal bowl without sight gauge	Zinc
Twist drain, body & stem	Plastic
Twist drain, seals	Nitrile
Auto pulse drain, piston & seals	Nitrile
Auto pulse drain, stem, seat, adaptor & washers	Aluminum
Element holder	Plastic
Element	Borosilicate & felt glass fibers
Seals	Nitrile

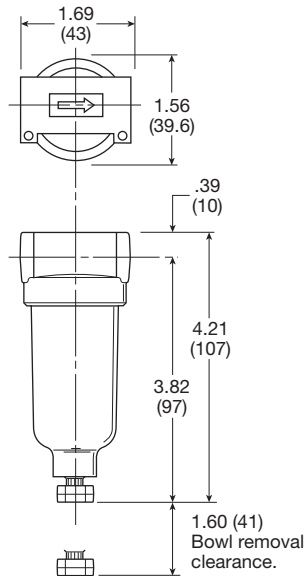
## Repair and Service Kits

Poly bowl / auto pulse drain kit	<b>PS408BP</b>
Poly bowl / twist drain kit	<b>PS404P</b>
Metal bowl / auto pulse drain kit	<b>PS451BP</b>
Metal bowl / twist drain kit	<b>PS447BP</b>
Grade 6 element (standard)	<b>PS446P</b>
Grade 10 element (optional)	<b>PS456P</b>
Mounting bracket kit	<b>PS417BP</b>

### Automatic Pulse Drain



Inches (mm)

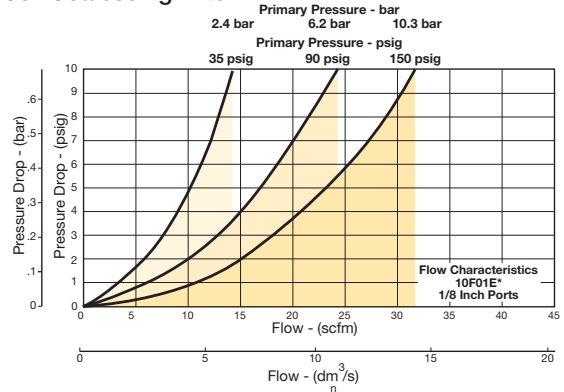


# Air Preparation Products 14 Series

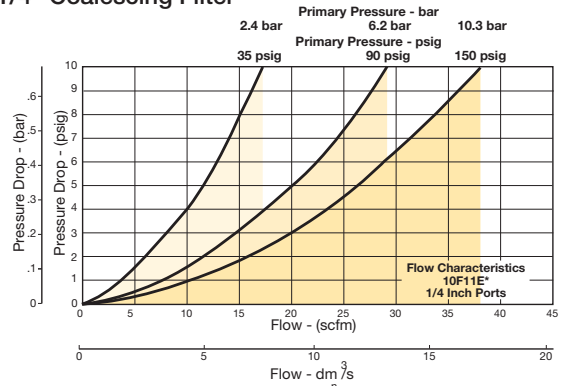
## Flow Charts

### Grade 6 Element

#### 10F 1/8" Coalescing Filter

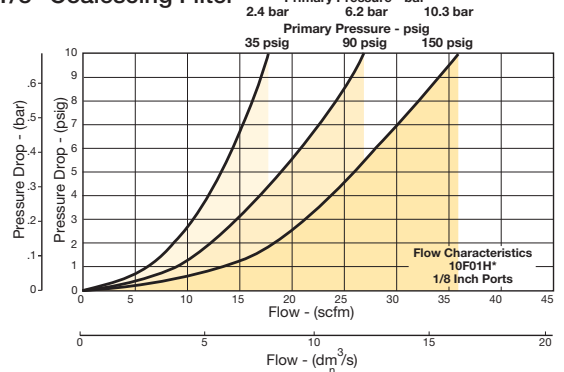


#### 10F 1/4" Coalescing Filter

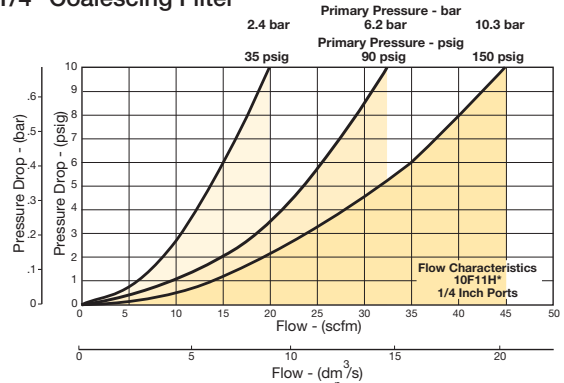


### Grade 10 Element

#### 10F 1/8" Coalescing Filter



#### 10F 1/4" Coalescing Filter



D

14 Series  
Products

Filters

Coalescers

Regulators

Filter /  
Regulators

Lubricators

Combinations

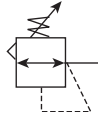


For inventory, lead time, and kit lookup, visit [www.pdnplu.com](http://www.pdnplu.com)

Miniature Regulators

14R Regulators – Miniature

- Unbalanced poppet standard
- Solid control piston with lip seal for extended life
- Non-rising adjusting knob
- Compact design
- Very easy to service
- 1/8", 1/4" ports (NPT, BSPP, BSPT)



Port size	Description	Part number
1/8"	Without gauge	14R013FC
1/8"	With gauge	14R018FC
1/4"	Without gauge	14R113FC
1/4"	With gauge	14R118FC

NOTE: 1.218 Dia. (31 mm) hole required for panel mounting.

Operating information

Supply pressure (max):	0 to 300 psig (0 to 20.7 bar)
Secondary pressure ranges	
Standard	2 to 125 psig (0 to 8.6 bar)
Medium	1 to 60 psig (0 to 4.1 bar)
Medium	1 to 30 psig (0 to 2.1 bar)
Low	1 to 15 psig (0 to 1 bar)
Operating temperature:	32°F to 125°F (0°C to 52°C)
Low temperature	-4°F to 125°F (-20°C to 52°C)
Flow capacity†:	
High flow	1/8" 13 scfm (6.1 dm³/s, ANR)
Low flow	1/4" 15 scfm (7.1 dm³/s, ANR)
Gauge ports (2):	1/8 or 1/4 inch
Weight:	0.3 lb (0.14 kg)

† scfm = Standard cubic feet per minute at 100 psig inlet, 90 psig no flow secondary setting and 10 psig pressure drop.

Ordering information:

**14R 1 13 F C**

Port Size	Port Type	Preset / Pressure Limited
1/8 inch pipe, 1/8 inch gauge port 0	Blank NPT	Blank None
1/4 inch pipe, 1/8 inch gauge port 1	1 BSPP	XXX* Preset pressure
1/4 inch pipe, 1/4 inch gauge port B	2 BSPT	XXX* Pressure limited
1/8 inch pipe, no gauge port C		
Manifold mounting M		

\* Available preset / pressure limited range, 10 to 90 psig in 5 psig increments. For higher pressures, contact factory.  
(Example: 065 = 65 psig)

Pressure Range		Relief	
Yellow Knob	Black Knob	F	G
Without gauge		Relieving	Non-relieving
30 psig 10	30 psig B0	H	Low temp. relieving
60 psig 11	60 psig B1	J	Low temp. non-relieving
15 psig 12	15 psig B2		
125 psig 13	125 psig B3		
With gauge*			
30 psig 15	30 psig B5		
60 psig 16	60 psig B6		
15 psig 17	15 psig B7		
125 psig 18	125 psig B8		

\* Not available with BSPP or BSPT port types.

Options	
Blank	No options
L †	Preset non-adjustable
p †	Preset adjustable
S †	Pressure limiter max. adjustable
T †	Pressure limiter max. non-adjustable

† Inlet pressure is 100 psig. For other pressures contact factory.

Spring Type by Preset / Limited Pressure:  
 For Preset / Limited Pressure 10 to 25 use 30 psi spring  
 For Preset / Limited Pressure 26 to 50 use 60 psi spring  
 For Preset / Limited Pressure 51 to 90 use 125 psi spring

Most popular.



For inventory, lead times, and kit lookup, visit [www.pdnplu.com](http://www.pdnplu.com)



**Miniature Regulators**

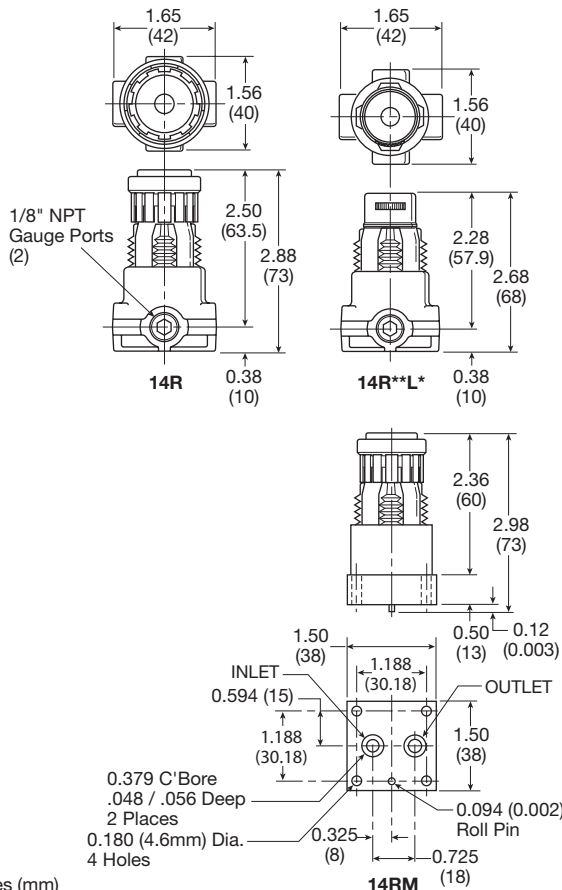
**Material Specifications**

Adjusting nut	Brass
Adjusting stem & spring	Steel
Body	Zinc
Bonnet, seat, piston & valve poppet	Plastic
Seals	Nitrile

**Repair and Service Kits**

Bonnet assembly kit	<b>L01369</b>
Bonnet tamperproof kit	<b>P01265</b>
30 psig gauge, 1/8" NPT (0 to 2.1 bar)	<b>K4515N18030</b>
60 psig gauge, 1/8" NPT (0 to 4.1 bar)	<b>K4515N18060</b>
160 psig gauge, 1/8" NPT (0 to 11.0 bar)	<b>K4515N18160</b>
60 psig gauge, 1/4" NPT (0 to 4.1 bar)	<b>K4520N14060</b>
160 psig gauge, 1/4" NPT (0 to 11.0 bar)	<b>K4520N14160</b>
Mounting bracket kit* (includes panel mount nut)	<b>PS417BP</b>
Plastic panel mount nuts*	<b>P78652</b>
Metal panel mount nuts*	<b>P01531</b>
Unbalanced non-relieving, poppet / piston kit	<b>PS428P</b>
Unbalanced relieving, poppet / piston kit	<b>PS426P</b>
1-15 psig spring (yellow)	<b>P01176</b>
1-30 psig spring (black)	<b>P01175</b>
1-60 psig spring (white)	<b>P01174</b>
2-125 psig spring (gold)	<b>P01173</b>

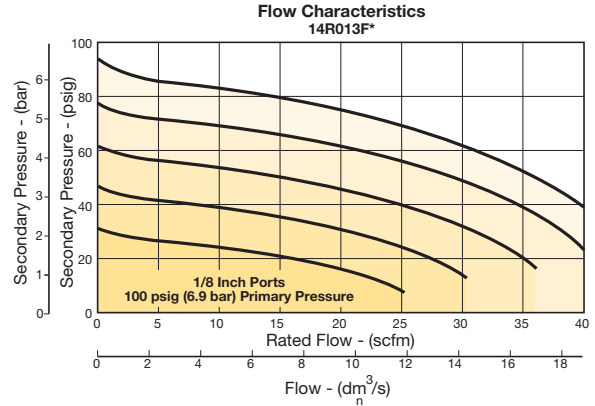
\* Tighten panel mount nut 2.8 to 3.4 Nm (25 to 30 in-lbs) of torque.



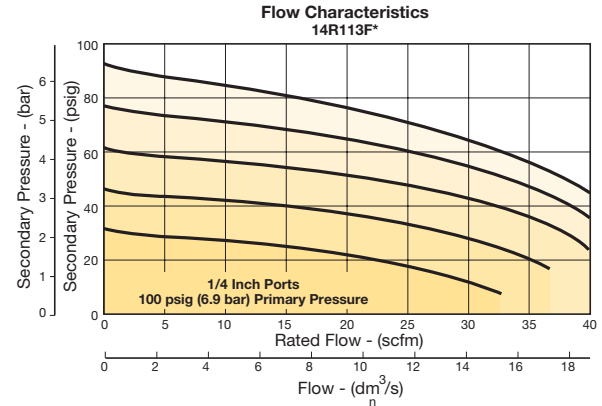
Inches (mm)

**Flow Charts**

**14R 1/8" Ports**



**14R 1/4" Ports**



**WARNING**  
Product rupture can cause serious injury. Do not connect regulator to bottled gas. Do not exceed Maximum primary pressure rating.

**CAUTION:**  
**REGULATOR PRESSURE ADJUSTMENT** – The working range of knob adjustment is designed to permit outlet pressures within their full range. Pressure adjustment beyond this range is also possible because the knob is not a limiting device. This is a common characteristic of most industrial regulators, and limiting devices may be obtained only by special design. For best performance, regulated pressure should always be set by increasing the pressure up to the desired setting.



For inventory, lead time, and kit lookup, visit [www.pdnplu.com](http://www.pdnplu.com)

**14E Filter / Regulator – Miniature**

- Excellent water removal efficiency
- Unbalanced poppet standard
- Solid control piston for extended life
- Space saving package offers both filter and regulator features in one integral unit
- Non-rising adjustment knob
- Two full flow 1/8" gauge ports
- 1/8", 1/4" ports (NPT, BSPP, BSPT)



Port size	Description †	Part number
1/8"	Poly bowl, twist drain	<b>14E01B13FC</b>
1/8"	Metal bowl, twist drain	<b>14E03B13FC</b>
1/8"	Poly bowl, auto pulse drain	<b>14E05B13FC</b>
1/8"	Metal bowl, auto pulse drain	<b>14E07B13FC</b>
1/4"	Poly bowl, twist drain	<b>14E11B13FC</b>
1/4"	Metal bowl, twist drain	<b>14E13B13FC</b>
1/4"	Poly bowl, auto pulse drain	<b>14E15B13FC</b>
1/4"	Metal bowl, auto pulse drain	<b>14E17B13FC</b>

† For polycarbonate bowl, see caution in Engineering Section A.  
NOTE: 1.218 Dia. (31 mm) hole required for panel mounting.

**Operating information**

Supply pressure (max):		
Plastic bowl		0 to 150 psig (0 to 10.3 bar)
Metal bowl		0 to 250 psig (0 to 17.2 bar)
Secondary pressure ranges		
Standard		2 to 125 psig (0 to 8.6 bar)
Medium		1 to 30 psig (0 to 2.1 bar)
Medium		1 to 60 psig (0 to 4.1 bar)
Low		1 to 15 psig (0 to 1 bar)
Operating temperature:		
Plastic bowl		32°F to 125°F (0°C to 52°C)
Metal bowl		32°F to 175°F (0°C to 80°C)
Flow capacity†:		
High flow	1/8"	16 scfm (7.6 dm <sup>3</sup> /s, ANR)
	1/4"	18 scfm (8.5 dm <sup>3</sup> /s, ANR)
Bowl capacity:		1 oz.
Auto pulse drain tube barb		1/8 inch
Gauge ports (2):		1/8 inch (can be used as additional full flow)
Weight:		0.4 lb (0.18 kg)

† scfm = Standard cubic feet per minute at 100 psig inlet and 10 psig pressure drop.

**Ordering information:**

<b>14E</b>	<b>1</b>	<b>1</b>	<b>B</b>	<b>13</b>	<b>F</b>	<b>C</b>																																																															
<table border="1"> <thead> <tr><th colspan="2">Port Size</th></tr> </thead> <tbody> <tr><td>1/8 inch</td><td>0</td></tr> <tr><td>1/4 inch</td><td>1</td></tr> </tbody> </table>		Port Size		1/8 inch	0	1/4 inch	1	<table border="1"> <thead> <tr><th colspan="2">Bowl Options</th></tr> </thead> <tbody> <tr><td>Poly bowl, twist drain</td><td>1</td></tr> <tr><td>Poly bowl, auto pulse drain</td><td>5</td></tr> <tr><td>Metal bowl, twist drain</td><td>3</td></tr> <tr><td>Metal bowl, auto pulse drain</td><td>7</td></tr> </tbody> </table>		Bowl Options		Poly bowl, twist drain	1	Poly bowl, auto pulse drain	5	Metal bowl, twist drain	3	Metal bowl, auto pulse drain	7	<table border="1"> <thead> <tr><th colspan="2">Pressure Range</th></tr> </thead> <tbody> <tr> <td>Without gauge</td> <td>With gauge*</td> </tr> <tr> <td>30 psig 10</td> <td>30 psig 15</td> </tr> <tr> <td>60 psig 11</td> <td>60 psig 16</td> </tr> <tr> <td>15 psig 12</td> <td>15 psig 17</td> </tr> <tr> <td>125 psig 13</td> <td>125 psig 18</td> </tr> </tbody> </table>		Pressure Range		Without gauge	With gauge*	30 psig 10	30 psig 15	60 psig 11	60 psig 16	15 psig 12	15 psig 17	125 psig 13	125 psig 18	<table border="1"> <thead> <tr><th colspan="2">Relief</th></tr> </thead> <tbody> <tr><td>F</td><td>Relieving</td></tr> <tr><td>G</td><td>Non-relieving</td></tr> <tr><td>H*</td><td>Low temp. relieving</td></tr> </tbody> </table>		Relief		F	Relieving	G	Non-relieving	H*	Low temp. relieving	<table border="1"> <thead> <tr><th colspan="2">Engineering Level</th></tr> </thead> <tbody> <tr><td>C</td><td>Current</td></tr> </tbody> </table>		Engineering Level		C	Current	<table border="1"> <thead> <tr><th colspan="2">Port Type</th></tr> </thead> <tbody> <tr><td>Blank</td><td>NPT</td></tr> <tr><td>1</td><td>BSPP</td></tr> <tr><td>2</td><td>BSPT</td></tr> </tbody> </table>		Port Type		Blank	NPT	1	BSPP	2	BSPT	<table border="1"> <thead> <tr><th colspan="2">Preset / Pressure Limited</th></tr> </thead> <tbody> <tr><td>Blank</td><td>None</td></tr> <tr><td>XXX*</td><td>Preset pressure</td></tr> <tr><td>XXX*</td><td>Pressure limited</td></tr> </tbody> </table>		Preset / Pressure Limited		Blank	None	XXX*	Preset pressure	XXX*	Pressure limited
Port Size																																																																					
1/8 inch	0																																																																				
1/4 inch	1																																																																				
Bowl Options																																																																					
Poly bowl, twist drain	1																																																																				
Poly bowl, auto pulse drain	5																																																																				
Metal bowl, twist drain	3																																																																				
Metal bowl, auto pulse drain	7																																																																				
Pressure Range																																																																					
Without gauge	With gauge*																																																																				
30 psig 10	30 psig 15																																																																				
60 psig 11	60 psig 16																																																																				
15 psig 12	15 psig 17																																																																				
125 psig 13	125 psig 18																																																																				
Relief																																																																					
F	Relieving																																																																				
G	Non-relieving																																																																				
H*	Low temp. relieving																																																																				
Engineering Level																																																																					
C	Current																																																																				
Port Type																																																																					
Blank	NPT																																																																				
1	BSPP																																																																				
2	BSPT																																																																				
Preset / Pressure Limited																																																																					
Blank	None																																																																				
XXX*	Preset pressure																																																																				
XXX*	Pressure limited																																																																				
		<table border="1"> <thead> <tr><th colspan="2">Element</th></tr> </thead> <tbody> <tr><td>40 Micron</td><td>A</td></tr> <tr><td>5 Micron</td><td>B</td></tr> <tr><td>Adsorber</td><td>Z</td></tr> </tbody> </table>		Element		40 Micron	A	5 Micron	B	Adsorber	Z			<table border="1"> <thead> <tr><th colspan="2">Options</th></tr> </thead> <tbody> <tr><td>Blank</td><td>No options</td></tr> <tr><td>L †</td><td>Preset non-adjustable</td></tr> <tr><td>P †</td><td>Preset adjustable</td></tr> <tr><td>S †</td><td>Pressure limiter max. adjustable</td></tr> <tr><td>T †</td><td>Pressure limiter max. non-adjustable</td></tr> </tbody> </table>		Options		Blank	No options	L †	Preset non-adjustable	P †	Preset adjustable	S †	Pressure limiter max. adjustable	T †	Pressure limiter max. non-adjustable	<p>* Available preset / pressure limited range, 10 to 90 psig in 5 psig increments. For higher pressures, contact factory. (Example: 065 = 65 psig)</p>																																									
Element																																																																					
40 Micron	A																																																																				
5 Micron	B																																																																				
Adsorber	Z																																																																				
Options																																																																					
Blank	No options																																																																				
L †	Preset non-adjustable																																																																				
P †	Preset adjustable																																																																				
S †	Pressure limiter max. adjustable																																																																				
T †	Pressure limiter max. non-adjustable																																																																				
<p>Spring Type by Preset / Limited Pressure: For Preset / Limited Pressure 10 to 25 use 30 psi spring For Preset / Limited Pressure 26 to 50 use 60 psi spring For Preset / Limited Pressure 51 to 90 use 125 psi spring</p>				<p>* Twist drain only.</p>				<p>† Inlet pressure is 100 psig. For other pressures contact factory.</p>																																																													

Most popular.



For inventory, lead times, and kit lookup, visit [www.pdnplu.com](http://www.pdnplu.com)

# Miniature Filter / Regulators

## Material Specifications

Adjusting nut	Brass
Adjusting stem & spring	Steel
Body	Zinc
Bonnet, knob, seat, piston, holder & deflector	Plastic
Transparent bowl	Polycarbonate
Metal bowl (without sight gauge)	Zinc
Twist drain, body & stem	Plastic
Twist drain, seals	Nitrile
Auto pulse drain, piston & seals	Nitrile
Auto pulse drain, stem, seat, adaptor & washers	Aluminum
5 Micron elements (standard)	Plastic
40 Micron elements (optional)	Plastic
Adsorber elements (optional)	Activated charcoal
Seals	Nitrile

## Repair and Service Kits

Bonnet tamperproof kit	<b>P01265</b>
Poly bowl / auto drain	<b>PS408BP</b>
Poly bowl / twist drain	<b>PS404P</b>
Metal bowl / auto drain	<b>PS451BP</b>
Metal bowl / twist drain	<b>PS447BP</b>
40 micron element	<b>PS401P</b>
5 micron element	<b>PS403P</b>
Adsorber element	<b>PS452P</b>
30 psig (0 to 2.1 bar), gauge	<b>K4515N18030</b>
60 psig (0 to 4.1 bar), gauge	<b>K4515N18060</b>
160 psig (0 to 11.0 bar), gauge	<b>K4515N18160</b>
Mounting bracket kit* (includes panel mount nut)	<b>PS417BP</b>
Panel mount nut*	<b>P78652</b>
Unbalanced, non-relieving	<b>PS428P</b>
Unbalanced, relieving	<b>PS426P</b>
1- 15 psig spring (yellow)	<b>P01176</b>
1- 30 psig spring (black)	<b>P01175</b>
1- 60 psig spring (white)	<b>P01174</b>
2- 125 psig spring (gold)	<b>P01173</b>

\*Tighten panel mount nut 2.8 to 3.4 Nm (25 to 30 in-lbs) of torque.

### WARNING

**Product rupture can cause serious injury.  
Do not connect regulator to bottled gas.  
Do not exceed Maximum primary pressure rating.**

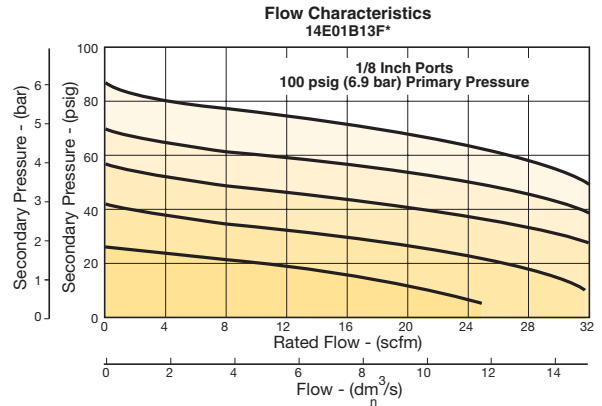
### CAUTION:

**REGULATOR PRESSURE ADJUSTMENT** – The working range of knob adjustment is designed to permit outlet pressures within their full range. Pressure adjustment beyond this range is also possible because the knob is not a limiting device. This is a common characteristic of most industrial regulators, and limiting devices may be obtained only by special design. For best performance, regulated pressure should always be set by increasing the pressure up to the desired setting.

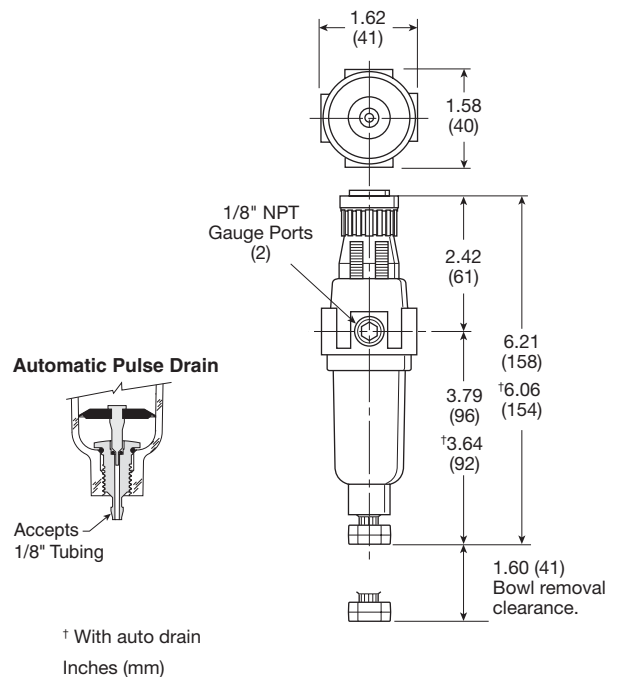
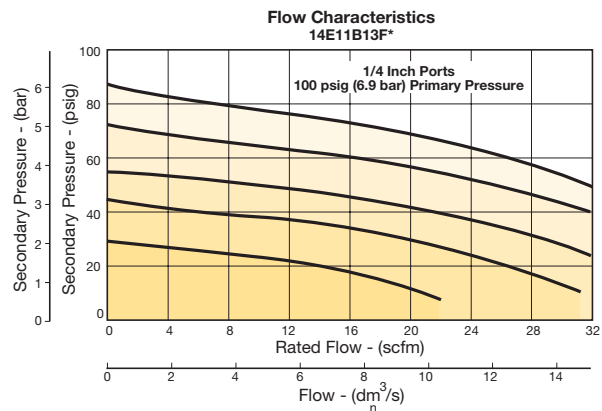
# Air Preparation Products 14 Series

## Flow Charts

### 14E 1/8" Filter / Regulator



### 14E 1/4" Filter / Regulator



Automatic Pulse Drain

Accepts 1/8" Tubing

† With auto drain  
Inches (mm)



For inventory, lead time, and kit lookup, visit [www.pdnplu.com](http://www.pdnplu.com)

**04L Mist Lubricators – Miniature**

- Proportional oil delivery over a wide range of air flows
- Precision needle valve assures repeatable oil delivery and provides simple adjustment of delivery rate
- Ideal for low and high flow applications with changing air flow
- Transparent sight dome for 360° visibility
- Integral 1/8", 1/4" ports (NPT, BSPP, BSPT)



Port size	Description ‡	Part number
1/8"	Poly bowl, no drain	<b>04L00GB</b>
1/8"	Metal bowl, no sight gauge, twist drain	<b>04L03GB</b>
1/4"	Poly bowl, no drain	<b>04L10GB</b>
1/4"	Metal bowl, no sight gauge, twist drain	<b>04L13GB</b>

‡ For polycarbonate bowl and sight dome, see caution in Engineering Section A.

**Operating information**

Supply pressure (max):		
Plastic bowl		0 to 150 psig (0 to 10.3 bar)
Metal bowl		0 to 250 psig (0 to 17.2 bar)
Operating temperature:		
Plastic bowl		32°F to 125°F (0°C to 52°C)
Metal bowl		32°F to 175°F (0°C to 80°C)
Flow capacity†:		
High flow	1/8"	20 scfm (9.4 dm <sup>3</sup> /s, ANR)
	1/4"	20 scfm (9.4 dm <sup>3</sup> /s, ANR)
Minimum flow		0.5 scfm (0.24 dm <sup>3</sup> /s, ANR) at 100 psig (6.9 bar)
Bowl capacity:		1 oz.
Weight:		0.4 lb (0.18 kg)

† scfm = Standard cubic feet per minute at 90 psig inlet and 5 psig pressure drop.

**Ordering information:**

<b>04L</b>	<b>1</b>	<b>0</b>	<b>G</b>	<b>B</b>	<b> </b>										
<table border="1"> <thead> <tr><th>Port Size</th></tr> </thead> <tbody> <tr><td>1/8 inch</td></tr> <tr><td>1/4 inch</td></tr> </tbody> </table>		Port Size	1/8 inch	1/4 inch	<table border="1"> <tbody> <tr><td>0</td></tr> <tr><td>1</td></tr> <tr><td>3</td></tr> </tbody> </table>		0	1	3	<table border="1"> <thead> <tr><th>Port Type</th></tr> </thead> <tbody> <tr><td>Blank</td></tr> <tr><td>1</td></tr> <tr><td>2</td></tr> </tbody> </table>		Port Type	Blank	1	2
Port Size															
1/8 inch															
1/4 inch															
0															
1															
3															
Port Type															
Blank															
1															
2															
<table border="1"> <thead> <tr><th>Bowl Options</th></tr> </thead> <tbody> <tr><td>Poly bowl, no drain</td></tr> <tr><td>Poly bowl, twist drain</td></tr> <tr><td>Metal bowl, no sight gauge, twist drain</td></tr> </tbody> </table>		Bowl Options	Poly bowl, no drain	Poly bowl, twist drain	Metal bowl, no sight gauge, twist drain	<table border="1"> <thead> <tr><th>Engineering Level</th></tr> </thead> <tbody> <tr><td>B</td></tr> <tr><td>Current</td></tr> </tbody> </table>		Engineering Level	B	Current	<table border="1"> <thead> <tr><th>Body</th></tr> </thead> <tbody> <tr><td>G</td></tr> <tr><td>No fill plug</td></tr> </tbody> </table>		Body	G	No fill plug
Bowl Options															
Poly bowl, no drain															
Poly bowl, twist drain															
Metal bowl, no sight gauge, twist drain															
Engineering Level															
B															
Current															
Body															
G															
No fill plug															

**Suggested Lubricant** ..... **F442 Oil**  
 Petroleum based oil of 100 to 200 SUS viscosity at 100°F (38°C) and an aniline point greater than 200°F (93°C)  
 (DO NOT USE OILS WITH ADDITIVES, COMPOUNDED OILS CONTAINING SOLVENTS, GRAPHITE, DETERGENTS, OR SYNTHETIC OILS.)

Most popular.



For inventory, lead times, and kit lookup, visit [www.pdnplu.com](http://www.pdnplu.com)

D10

**Parker Hannifin Corporation**  
 Pneumatic Division  
 Richland, Michigan  
[www.parker.com/pneumatics](http://www.parker.com/pneumatics)

**D**  
 14 Series Products  
 Filters  
 Coalescers  
 Regulators  
 Filter / Regulators  
 Lubricators  
 Combinations

## Miniature Mist Lubricators

### Material Specifications

Body	Zinc
Transparent bowls	Polycarbonate
Metal bowl (without sight gauge)	Zinc
Drains, twist – body & nut	Plastic
Seals	Nitrile
Sight dome	Polycarbonate

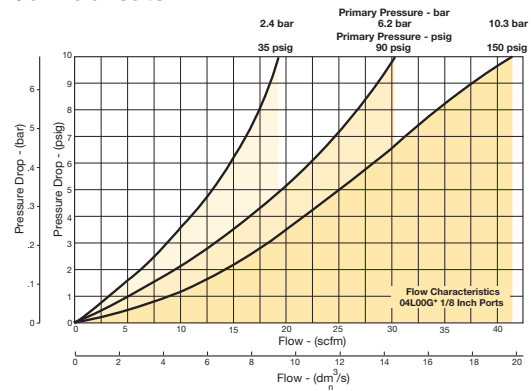
### Repair and Service Kits

Poly bowl / no drain kit	<b>PS421P</b>
Poly bowl / twist drain kit	<b>PS420P</b>
Metal bowl / twist drain (no sight gauge) kit	<b>PS447BP</b>
Mounting bracket kit	<b>PS419</b>
Oil (1 quart)	<b>F442001</b>
Oil (1 gallon)	<b>F442002</b>
Oil (12 quart case)	<b>F442003</b>
Oil (4 gallon case)	<b>F442005</b>

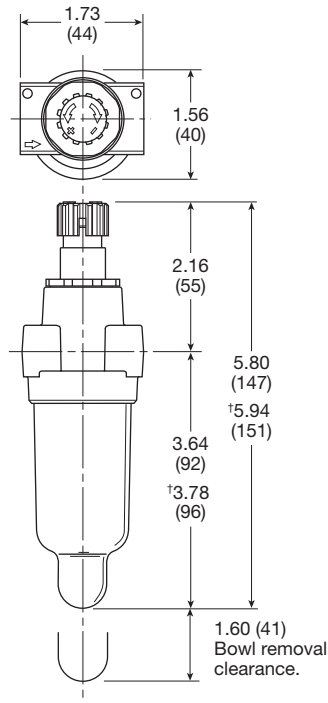
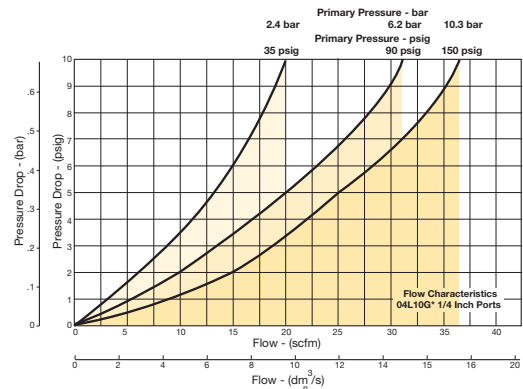
## Air Preparation Products 14 Series

### Flow Charts

#### 04L 1/8" Lubricator



#### 04L 1/4" Lubricator



Inches (mm)

D  
14 Series  
Products

Filters

Coalescers

Regulators

Filter /  
Regulators

Lubricators

Combinations



For inventory, lead time, and kit lookup, visit [www.pdnplu.com](http://www.pdnplu.com)

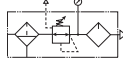
D11

**Parker Hannifin Corporation**  
Pneumatic Division  
Richland, Michigan  
[www.parker.com/pneumatics](http://www.parker.com/pneumatics)

14A / 14G Close Nipped Combinations – Miniature

Close Nipped Combinations – 14 Miniature Series

- Regulator can be mounted with knob in up or down position
- 5 micron filter element standard, 40 micron optional
- Manual twist drain
- Relieving regulator



Close Nipped Combinations

	Port size	Bowl type ‡	Element type	Filter drain type	Relief type	Lubricator drain type	Part number (NPT)
14G	1/8"	Poly	5 micron	Twist	Relieving	None	14G01B13F0GD
	1/4"	Poly	5 micron	Twist	Relieving	None	14G11B13F0GD
14A	1/8"	Poly	5 micron	Twist	Relieving	None	14A01B13F0GF
	1/4"	Poly	5 micron	Twist	Relieving	None	14A11B13F0GF

‡ For polycarbonate bowl, see caution in Engineering Section A.

Ordering information:

**14A 1 1 B 13 F 0 G \***

<b>Series</b>	<b>Engineering Level</b>
3-Unit 14A	D 14G current
2-Unit 14G	F 14A current

<b>Port Size</b>	<b>Lubricator Body Options</b>
1/8 inch 0	G No fill plug
1/4 inch 1	

<b>Filter Bowl Options</b>	<b>Lubricator Bowl Options</b>
Poly bowl, twist drain 1	0 Poly bowl, no drain
Poly bowl, auto pulse drain 5	1 Poly bowl, twist drain
Metal bowl, twist drain 3	3 Metal bowl, twist drain
Metal bowl, auto pulse drain 7	

<b>Filter Element</b>	<b>Relief</b>
40 Micron A	F Relieving
5 Micron B	G Non-relieving

<b>Pressure Range</b>			
<b>Without gauge</b>		<b>With gauge</b>	
10	30 psig	15	30 psig
11	60 psig	16	60 psig
12	15 psig	17	15 psig
13	125 psig	18	125 psig

Most popular.

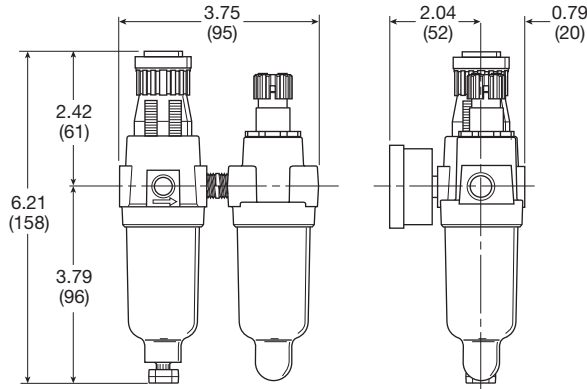


For inventory, lead times, and kit lookup, visit [www.pdnplu.com](http://www.pdnplu.com)

## Close Nipped Combinations

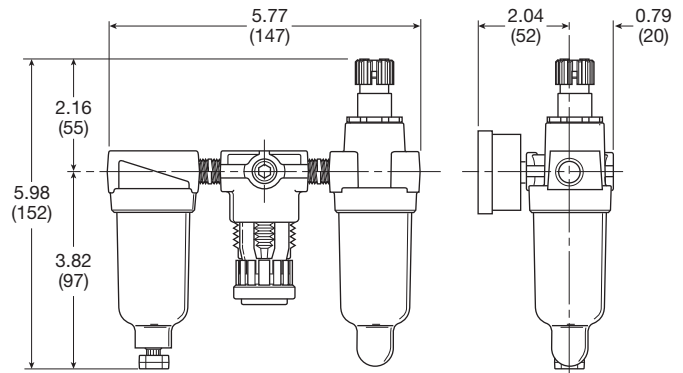
## Air Preparation Products 14 Series

### 14G (Close nipped 2-unit)



Inches (mm)

### 14A (Close nipped 3-unit)



Inches (mm)

**⚠ WARNING**

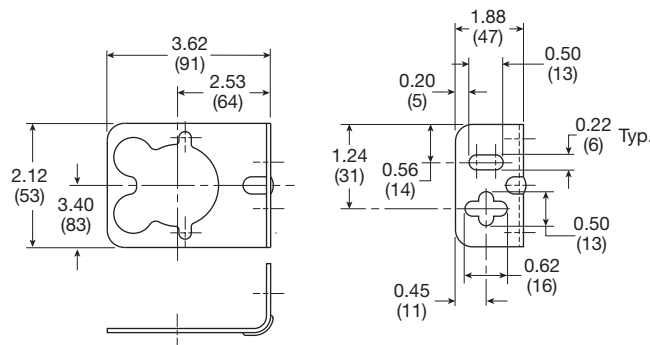
**Product rupture can cause serious injury.  
Do not connect regulator to bottled gas.  
Do not exceed Maximum primary pressure rating.**

### Service kits

Mounting bracket, 14E, 14F, 14R	<b>PS417BP</b>
Mounting bracket, 04L	<b>PS419</b>

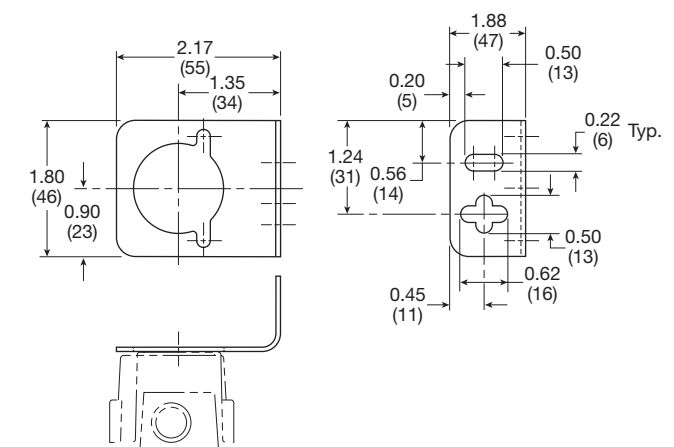
### CAUTION:

**REGULATOR PRESSURE ADJUSTMENT** – The working range of knob adjustment is designed to permit outlet pressures within their full range. Pressure adjustment beyond this range is also possible because the knob is not a limiting device. This is a common characteristic of most industrial regulators, and limiting devices may be obtained only by special design. For best performance, regulated pressure should always be set by increasing the pressure up to the desired setting.



Inches (mm)

**PS417BP - 10F, 14F, 14R, 14E**  
(Includes panel mount nut)



Inches (mm)

**PS419 - 04L**

**D**

14 Series  
Products

Filters

Coalescers

Regulators

Filter /  
Regulators

Lubricators

Combinations



For inventory, lead time, and kit lookup, visit [www.pdnplu.com](http://www.pdnplu.com)

D13

**Parker Hannifin Corporation**  
Pneumatic Division  
Richland, Michigan  
[www.parker.com/pneumatics](http://www.parker.com/pneumatics)

**D**

**14 Series  
Products**

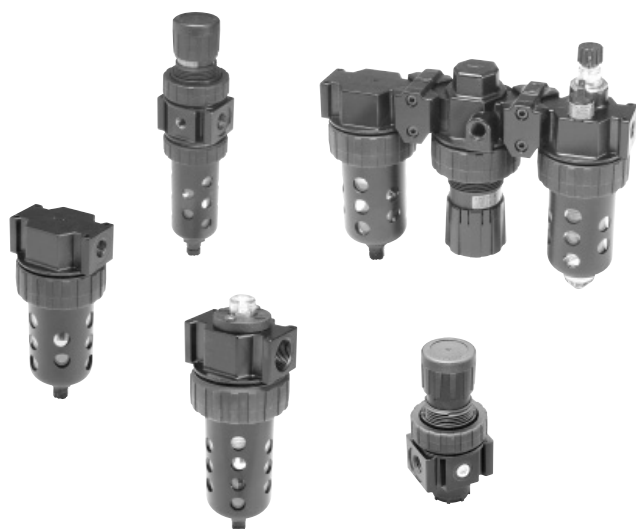


For inventory, lead times, and kit lookup, visit [www.pdnplu.com](http://www.pdnplu.com)

D14

**Parker Hannifin Corporation**  
Pneumatic Division  
Richland, Michigan  
[www.parker.com/pneumatics](http://www.parker.com/pneumatics)





## Air Preparation Products Prep-Air® II Products

### Particulate Filters

<a href="#">05F Economy</a>	E2-E3
<a href="#">06F Compact</a>	E4-E5
<a href="#">07F Standard</a>	E6-E7

### Coalescing Filters

<a href="#">15F Economy</a>	E8-E9
<a href="#">11F Compact</a>	E10-E11
<a href="#">12F Standard</a>	E12-E13

### Regulators

<a href="#">05R Economy</a>	E14-E15
<a href="#">06R Compact</a>	E16-E17
<a href="#">07R Standard</a>	E18-E19

### Pilot Controlled Regulators

<a href="#">11R Economy</a>	E20-E21
<a href="#">12R Standard</a>	E22-E23

### Filter / Regulators

<a href="#">05E Economy</a>	E24-E25
<a href="#">06E Compact</a>	E26-E27
<a href="#">07E Standard</a>	E28-E29
<a href="#">12E Coalescing</a>	E30-E31

### Lubricators

<a href="#">15L Economy, Micro-Mist</a>	E32-E33
<a href="#">16L Compact, Micro-Mist</a>	E34-E35
<a href="#">17L Standard, Micro-Mist</a>	E36-E37
<a href="#">06L Compact, Mist</a>	E38-E39
<a href="#">07L Standard, Mist</a>	E40-E41

### Combinations

<a href="#">06 Compact &amp; 07 Standard, Close Nipped</a>	E42-E43
<a href="#">06 Compact &amp; 07 Standard, Modular</a>	E44-E45
<a href="#">Accessories</a>	E46-E47

### Accessories

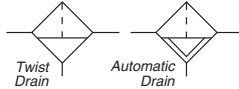
<a href="#">06S &amp; 07S Soft Start / Quick Dump Valves</a>	E48-E49
<a href="#">06T &amp; 07T Solenoid Quick Dump Valves</a>	E50-E51
<a href="#">06P &amp; 07P Auto Pilot Soft Start Valve</a>	E52-E53
<a href="#">Mounting Bracket Kits</a>	E54
<a href="#">Remote Auto-Fill Device</a>	E55



**Economy Particulate Filters**

**05F Particulate Filters – Economy**

- Excellent water removal efficiency
- Unique deflector plate and shroud creates a swirling of the air stream ensuring maximum water and dirt separation
- Large filter element surface guarantees low pressure drop and increased element life
- 40 micron filter element standard
- Shown with recommended metal bowl guard
- 1/4" & 3/8" ports (NPT)



Port size	Description ‡	Part number
1/4"	Poly bowl, metal guard, twist drain	<b>05F12AA</b>
1/4"	Poly bowl, metal guard, auto pulse drain	<b>05F1PAA</b>
3/8"	Poly bowl, metal guard, twist drain	<b>05F22AA</b>
3/8"	Poly bowl, metal guard, auto pulse drain	<b>05F2PAA</b>

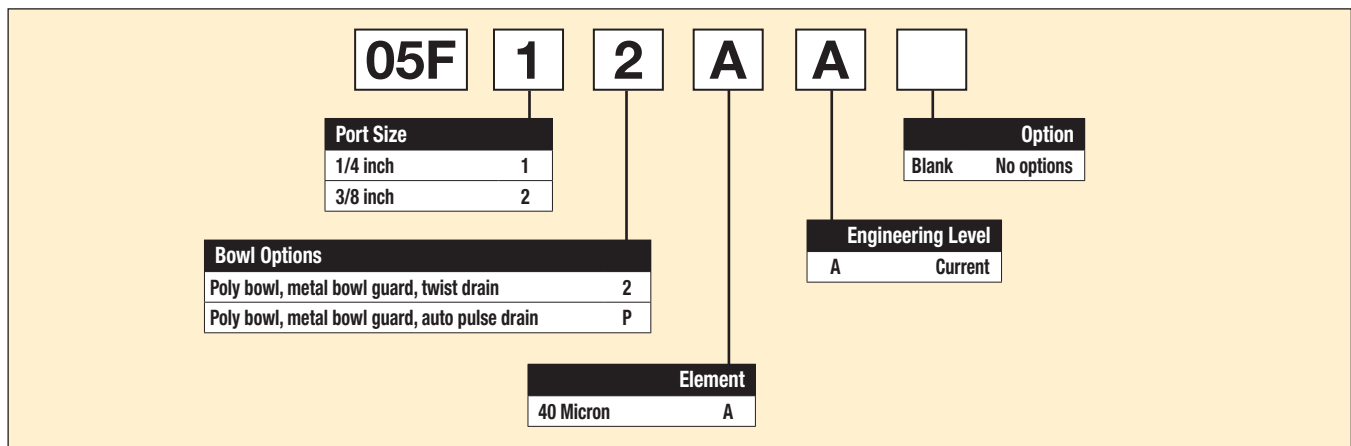
‡ For polycarbonate bowl and sight dome, see caution in Engineering Section A.

**Operating information**

Supply pressure (max):		
Plastic bowl		0 to 150 psig (0 to 10.3 bar)
Auto pulse drain		10 to 150 psig (0.7 to 10.3 bar)
Operating temperature:		
Plastic bowl		32°F to 125°F (0°C to 52°C)
Flow capacity†:		
High flow	1/4"	54 scfm (25.5 dm³/s, ANR)
	3/8"	70 scfm (33 dm³/s, ANR)
Bowl capacity:		2.0 oz.
Sump capacity:		0.9 oz.
Weight:		1.2 lb (0.54 kg)

† scfm = Standard cubic feet per minute at 90 psig inlet and 5 psig pressure drop.

**Ordering information:**



Most popular.



For inventory, lead times, and kit lookup, visit [www.pdnplu.com](http://www.pdnplu.com)

Prep-Air® II Products  
 Filters  
 Coalescers  
 Regulators  
 Filter / Regulators  
 Lubricators  
 Combinations  
 Accessories

# Economy Particulate Filters

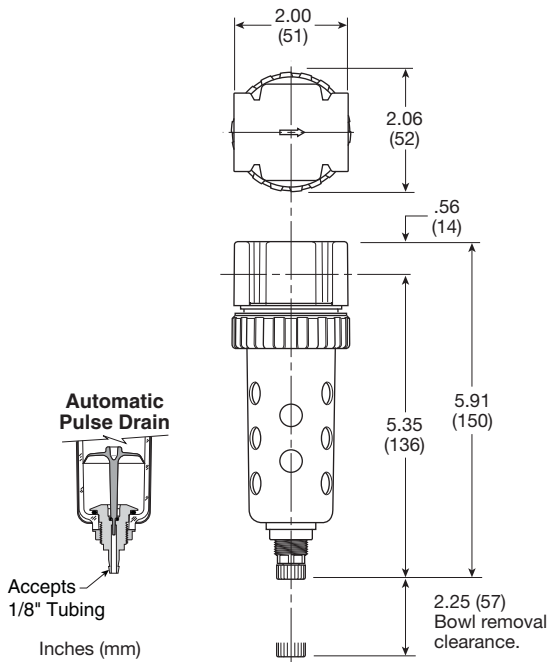
# Air Preparation Products Prep-Air® II Series

## Material Specifications

Body	Zinc
Transparent bowl	Polycarbonate
Bowl guards	Steel
Collar	Plastic
Deflector, shroud & baffle	Plastic
Drain	Plastic
Element	Plastic
Adsorber (optional)	Activated charcoal
Seals	Nitrile
Sight gauge	Polyamide (nylon)

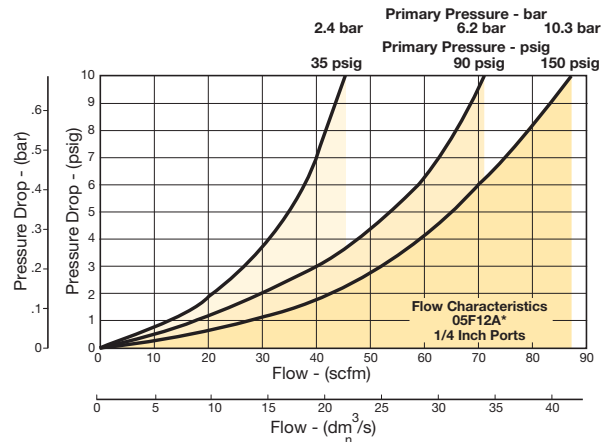
## Repair and Service Kits

Bowl guard kit	<b>PS905P</b>
Poly bowl / auto pulse drain	<b>PS995P</b>
Poly bowl / twist drain	<b>PS932P</b>
Auto pulse drain	<b>PS998P</b>
Twist drain	<b>PS512P</b>
40 micron element	<b>PS901P</b>
Adsorber	<b>PS931P</b>
Mounting bracket kit	<b>PS943P</b>
Sight gauge kit	<b>PS914P</b>

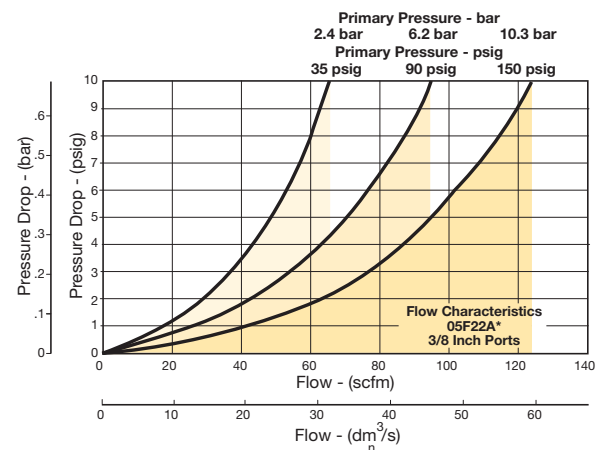


## Flow Charts

### 05F 1/4" Particulate Filter



### 05F 3/8" Particulate Filter



Prep-Air® II  
Products



Filters

Coalescers

Regulators

Filter/  
Regulators

Lubricators

Combinations

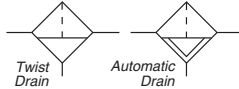
Accessories



For inventory, lead time, and kit lookup, visit [www.pdnplu.com](http://www.pdnplu.com)

**06F Particulate Filters – Compact**

- Excellent water removal efficiency
- Unique deflector plate and shroud creates a swirling of the air stream ensuring maximum water and dirt separation
- Large filter element surface guarantees low pressure drop and increased element life
- Optional automatic float drain available
- Shown with recommended metal bowl guard
- 1/4", 3/8", 1/2" ports – NPT, BSPP



Port size	Description ‡	Part number
1/4"	Poly bowl, metal guard, twist drain	<b>06F12AC</b>
1/4"	Metal bowl, sight gauge, twist drain	<b>06F14AC</b>
1/4"	Poly bowl, metal guard, auto float drain	<b>06F16AC</b>
1/4"	Metal bowl, sight gauge, auto float drain	<b>06F18AC</b>
3/8"	Poly bowl, metal guard, twist drain	<b>06F22AC</b>
3/8"	Metal bowl, sight gauge, twist drain	<b>06F24AC</b>
3/8"	Poly bowl, metal guard, auto float drain	<b>06F26AC</b>
3/8"	Metal bowl, sight gauge, auto float drain	<b>06F28AC</b>
1/2"	Poly bowl, metal guard, twist drain	<b>06F32AC</b>
1/2"	Metal bowl, sight gauge, twist drain	<b>06F34AC</b>
1/2"	Poly bowl, metal guard, auto float drain	<b>06F36AC</b>
1/2"	Metal bowl, sight gauge, auto float drain	<b>06F38AC</b>

‡ For polycarbonate bowl and sight dome, see caution in Engineering Section A.

**Operating information**

Supply pressure (max):	
Without DPI	
Plastic bowl	0 to 150 psig (0 to 10.3 bar)
Metal bowl	0 to 250 psig (0 to 17.2 bar)
With DPI	
Auto float drain	0 to 150 psig (0 to 10.3 bar) 15 to 250 psig (1.0 to 17.2 bar)
Operating temperature:	
Plastic bowl	32°F to 125°F (0°C to 52°C)
Metal bowl	32°F to 175°F (0°C to 80°C)
With DPI	32°F to 125°F (0°C to 52°C)
Flow capacity†:	
High flow	1/4" 53 scfm (25 dm³/s, ANR) 3/8" 80 scfm (37.8 dm³/s, ANR) 1/2" 85 scfm (40.1 dm³/s, ANR)
Bowl capacity:	4.4 oz.
Sump capacity:	1.75 oz.
Weight:	1.4 lb (0.6 kg)
† scfm = Standard cubic feet per minute at 90 psig inlet and 5 psig pressure drop.	
DPI = Differential pressure indicator	

**Ordering information:**

<b>06F</b>	<b>1</b>	<b>2</b>	<b>A</b>	<b>C</b>	<b>Blank</b>									
<table border="1"> <thead> <tr><th>Port Size</th></tr> </thead> <tbody> <tr><td>1/4 inch</td></tr> <tr><td>3/8 inch</td></tr> <tr><td>1/2 inch</td></tr> </tbody> </table>		Port Size	1/4 inch	3/8 inch	1/2 inch			<table border="1"> <thead> <tr><th>Port Type</th></tr> </thead> <tbody> <tr><td>Blank</td></tr> <tr><td>1*</td></tr> </tbody> </table> <p>* 1/4 &amp; 3/8 inch meets ISO 1179-1 standard.</p>		Port Type	Blank	1*		
Port Size														
1/4 inch														
3/8 inch														
1/2 inch														
Port Type														
Blank														
1*														
<table border="1"> <thead> <tr><th>Bowl Options</th></tr> </thead> <tbody> <tr><td>Poly bowl, metal bowl guard, twist drain</td></tr> <tr><td>Poly bowl, metal bowl guard, auto float drain</td></tr> <tr><td>Metal bowl, twist drain</td></tr> <tr><td>Metal bowl, sight gauge, twist drain</td></tr> <tr><td>Metal bowl, auto float drain</td></tr> <tr><td>Metal bowl, sight gauge, auto float drain</td></tr> </tbody> </table>			Bowl Options	Poly bowl, metal bowl guard, twist drain	Poly bowl, metal bowl guard, auto float drain	Metal bowl, twist drain	Metal bowl, sight gauge, twist drain	Metal bowl, auto float drain	Metal bowl, sight gauge, auto float drain	<table border="1"> <thead> <tr><th>Engineering Level</th></tr> </thead> <tbody> <tr><td>C</td></tr> </tbody> </table>			Engineering Level	C
Bowl Options														
Poly bowl, metal bowl guard, twist drain														
Poly bowl, metal bowl guard, auto float drain														
Metal bowl, twist drain														
Metal bowl, sight gauge, twist drain														
Metal bowl, auto float drain														
Metal bowl, sight gauge, auto float drain														
Engineering Level														
C														
			<table border="1"> <thead> <tr><th>Element</th></tr> </thead> <tbody> <tr><td>A</td></tr> <tr><td>B</td></tr> </tbody> </table>			Element	A	B						
Element														
A														
B														

Most popular.



For inventory, lead times, and kit lookup, visit [www.pdnplu.com](http://www.pdnplu.com)

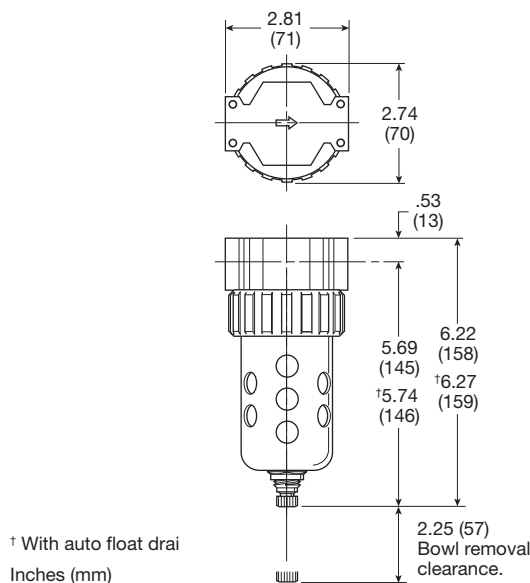
## Compact Particulate Filters

### Material Specifications

Body	Zinc
Transparent bowl	Polycarbonate
Metal bowl with or without sight gauge	Zinc
Bowl Guards	Steel
Collar	Plastic
Deflector, shroud & baffle	Plastic
Twist drain - body & nut	Plastic
Auto float drain - housing, float	Plastic
Auto float drain - seals	Nitrile
Auto float drain - springs, push rod	Stainless steel
Element	Plastic
Adsorber (optional)	Activated charcoal
Seals	Nitrile
Sight gauge	Polyamide

### Repair and Service Kits

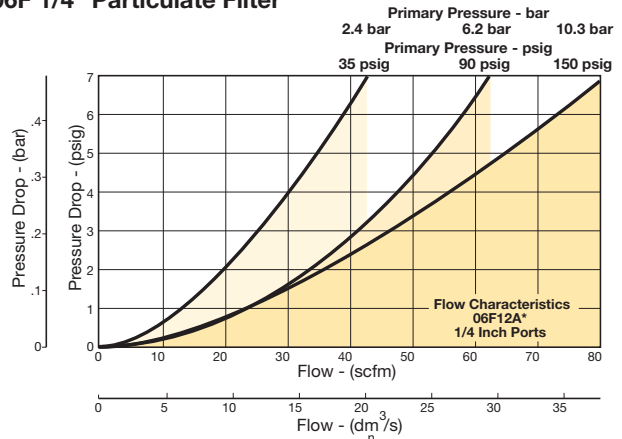
Bowl guard kit	<b>PS705P</b>
Poly bowl / auto float drain kit	<b>PS722P</b>
Poly bowl / twist drain kit	<b>PS732P</b>
Metal bowl / auto float drain kit	<b>PS726P</b>
Metal bowl / twist drain kit	<b>PS734P</b>
Metal bowl / sight gauge / auto float drain kit	<b>PS723P</b>
Metal bowl / sight gauge / twist drain kit	<b>PS735P</b>
Auto float drain kit	<b>PS506P</b>
Twist drain kit	<b>PS512P</b>
40 micron element	<b>PS701P</b>
5 micron element	<b>PS702P</b>
Adsorber element	<b>PS731P</b>
Mounting bracket kit	<b>PS743P</b>
Sight gauge kit	<b>PS914P</b>



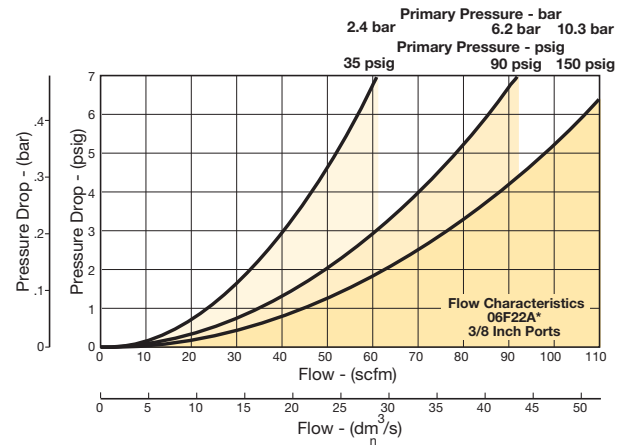
## Air Preparation Products Prep-Air® II Series

### Flow Charts

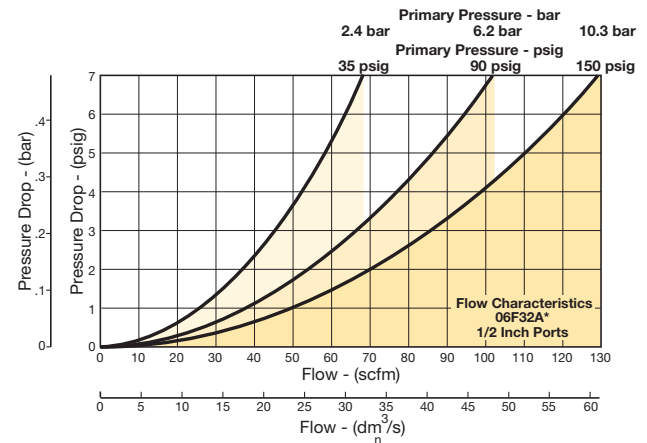
#### 06F 1/4" Particulate Filter



#### 06F 3/8" Particulate Filter



#### 06F 1/2" Particulate Filter



Prep-Air® II  
Products



Filters

Coalescers

Regulators

Filter /  
Regulators

Lubricators

Combinations

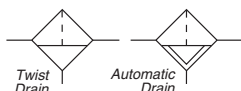
Accessories



For inventory, lead time, and kit lookup, visit [www.pdnplu.com](http://www.pdnplu.com)

**07F Particulate Filters – Standard**

- Excellent water removal efficiency.
- Unique deflector plate and shroud creates a swirling of the air stream ensuring maximum water and dirt separation.
- Large filter element surface guarantees low pressure drop and increased element life.
- Optional automatic float drain available.
- Shown with recommended metal bowl guard.
- 1/2", 3/4" ports – NPT, BSPP



Port size	Description †	Part number
1/2"	Poly bowl, metal guard, twist drain	<b>07F32AC</b>
1/2"	Metal bowl, sight gauge, twist drain	<b>07F34AC</b>
1/2"	Poly bowl, metal guard, auto float drain	<b>07F36AC</b>
1/2"	Metal bowl, sight gauge, auto float drain	<b>07F38AC</b>
3/4"	Poly bowl, metal guard, twist drain	<b>07F42AC</b>
3/4"	Metal bowl, sight gauge, twist drain	<b>07F44AC</b>
3/4"	Poly bowl, metal guard, auto float drain	<b>07F46AC</b>
3/4"	Metal bowl, sight gauge, auto float drain	<b>07F48AC</b>

† For polycarbonate bowl and sight dome, see caution in Engineering Section A.

**Operating information**

Supply pressure (max):  
 Without DPI  
 Plastic bowl 0 to 150 psig (0 to 10.3 bar)  
 Metal bowl 0 to 250 psig (0 to 17.2 bar)  
 With DPI  
 Auto float drain 15 to 250 psig (1.0 to 17.2 bar)

Operating temperature:  
 Plastic bowl 32°F to 125°F (0°C to 52°C)  
 Metal bowl 32°F to 175°F (0°C to 80°C)  
 With DPI 32°F to 125°F (0°C to 52°C)

Flow capacity†:  
 High flow 1/2" 130 scfm (61.4 dm³/s, ANR)  
 3/4" 145 scfm (68.4 dm³/s, ANR)

Bowl capacity: 7.2 oz.  
 Sump capacity: 2.8 oz.  
 Weight: 2.2 lb (1.0 kg)

† scfm = Standard cubic feet per minute at 90 psig inlet and 5 psig pressure drop.  
 DPI = Differential pressure indicator

**Ordering information:**

<b>07F</b>	<b>3</b>	<b>2</b>	<b>A</b>	<b>C</b>	<b>Blank</b>																		
<table border="1"> <tr><th>Port Size</th><th></th></tr> <tr><td>1/2 inch</td><td>3</td></tr> <tr><td>3/4 inch</td><td>4</td></tr> </table>		Port Size		1/2 inch	3	3/4 inch	4			<table border="1"> <tr><th>Port Type</th><th></th></tr> <tr><td>Blank</td><td>NPT</td></tr> <tr><td>1*</td><td>BSPP</td></tr> </table> <p>* 1/2 inch meets ISO 1179-1 standard.</p>		Port Type		Blank	NPT	1*	BSPP						
Port Size																							
1/2 inch	3																						
3/4 inch	4																						
Port Type																							
Blank	NPT																						
1*	BSPP																						
<table border="1"> <tr><th>Bowl Options</th><th></th></tr> <tr><td>Poly bowl, metal bowl guard, twist drain</td><td>2</td></tr> <tr><td>Poly bowl, metal bowl guard, auto float drain</td><td>6</td></tr> <tr><td>Metal bowl, twist drain</td><td>3</td></tr> <tr><td>Metal bowl, sight gauge, twist drain</td><td>4</td></tr> <tr><td>Metal bowl, auto float drain</td><td>7</td></tr> <tr><td>Metal bowl, sight gauge, auto float drain</td><td>8</td></tr> </table>			Bowl Options		Poly bowl, metal bowl guard, twist drain	2	Poly bowl, metal bowl guard, auto float drain	6	Metal bowl, twist drain	3	Metal bowl, sight gauge, twist drain	4	Metal bowl, auto float drain	7	Metal bowl, sight gauge, auto float drain	8	<table border="1"> <tr><th>Engineering Level</th><th></th></tr> <tr><td>C</td><td>Current</td></tr> </table>			Engineering Level		C	Current
Bowl Options																							
Poly bowl, metal bowl guard, twist drain	2																						
Poly bowl, metal bowl guard, auto float drain	6																						
Metal bowl, twist drain	3																						
Metal bowl, sight gauge, twist drain	4																						
Metal bowl, auto float drain	7																						
Metal bowl, sight gauge, auto float drain	8																						
Engineering Level																							
C	Current																						
			<table border="1"> <tr><th>Element</th><th></th></tr> <tr><td>A</td><td>40 Micron</td></tr> <tr><td>B</td><td>5 Micron</td></tr> </table>			Element		A	40 Micron	B	5 Micron												
Element																							
A	40 Micron																						
B	5 Micron																						

Most popular.



For inventory, lead times, and kit lookup, visit [www.pdnplu.com](http://www.pdnplu.com)

Prep-Air® II Products  
 Filters  
 Coalescers  
 Regulators  
 Filter / Regulators  
 Lubricators  
 Combinations  
 Accessories

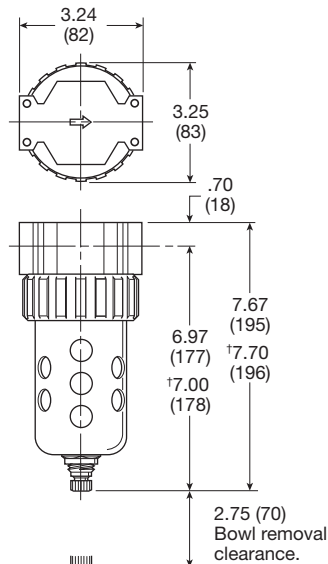
## Standard Particulate Filters

### Material Specifications

Body	Zinc
Transparent bowl	Polycarbonate
Metal bowl with or without sight gauge	Zinc
Bowl guards	Steel
Collar	Plastic or metal
Deflector, shroud & baffle	Plastic
Twist drain, body & nut	Plastic
Auto float drain – housing, float	Plastic
Auto float drain – seals	Nitrile
Auto float drain – springs, push rod	Stainless steel
Element	Plastic
Adsorber element (optional)	Activated charcoal
Seals	Nitrile
Sight gauge	Polyamide

### Repair and Service Kits

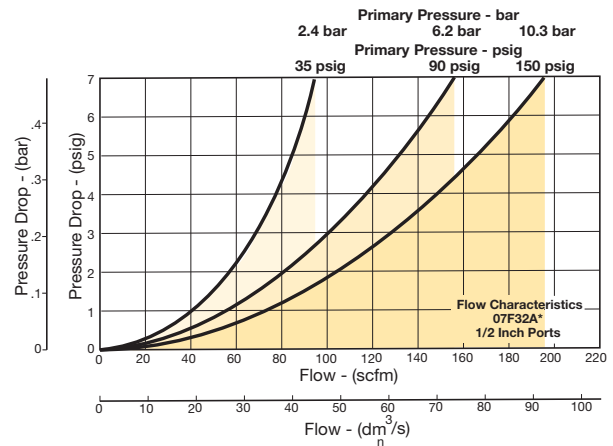
Bowl guard kit	<b>PS805P</b>
Poly bowl / auto float drain kit	<b>PS822P</b>
Poly bowl / twist drain kit	<b>PS832P</b>
Metal bowl / auto float drain kit	<b>PS826P</b>
Metal bowl / twist drain kit	<b>PS834P</b>
Metal bowl / sight gauge / auto drain kit	<b>PS823P</b>
Metal bowl / sight gauge / twist drain kit	<b>PS835P</b>
Auto float drain kit	<b>PS506P</b>
Twist drain kit	<b>PS512P</b>
40 micron element	<b>PS801P</b>
5 micron element	<b>PS802P</b>
Adsorber element	<b>PS831P</b>
Mounting bracket kit	<b>PS843P</b>
Sight gauge kit	<b>PS914P</b>



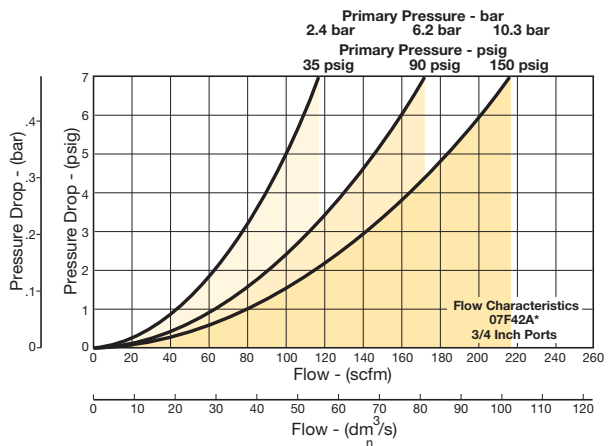
## Air Preparation Products Prep-Air® II Series

### Flow Charts

#### 07F 1/2" Particulate Filter



#### 07F 3/4" Particulate Filter



Prep-Air® II  
Products



Filters

Coalescers

Regulators

Filter/  
Regulators

Lubricators

Combinations

Accessories



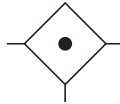
For inventory, lead time, and kit lookup, visit [www.pdnplu.com](http://www.pdnplu.com)

E7

Parker Hannifin Corporation  
Pneumatic Division  
Richland, Michigan  
[www.parker.com/pneumatics](http://www.parker.com/pneumatics)

**15F Coalescing Filters – Economy**

- Removes liquid aerosols and sub-micron particles.
- Liquids gravitate to the bottom of the element and will not re-enter the airstream.
- Oil free air for critical applications, such as air gauging and pneumatic instrumentation and controls.
- Interchangeable twist and automatic pulse drains.
- Differential pressure indicator standard.
- 1/4" & 3/8" ports – NPT



Port size	Description ‡	Part number
1/4"	Poly bowl, metal guard, twist drain	<b>15F12EA</b>
1/4"	Poly bowl, metal guard, auto pulse drain	<b>15F1PEA</b>
3/8"	Poly bowl, metal guard, twist drain	<b>15F22EA</b>
3/8"	Poly bowl, metal guard, auto pulse drain	<b>15F2PEA</b>

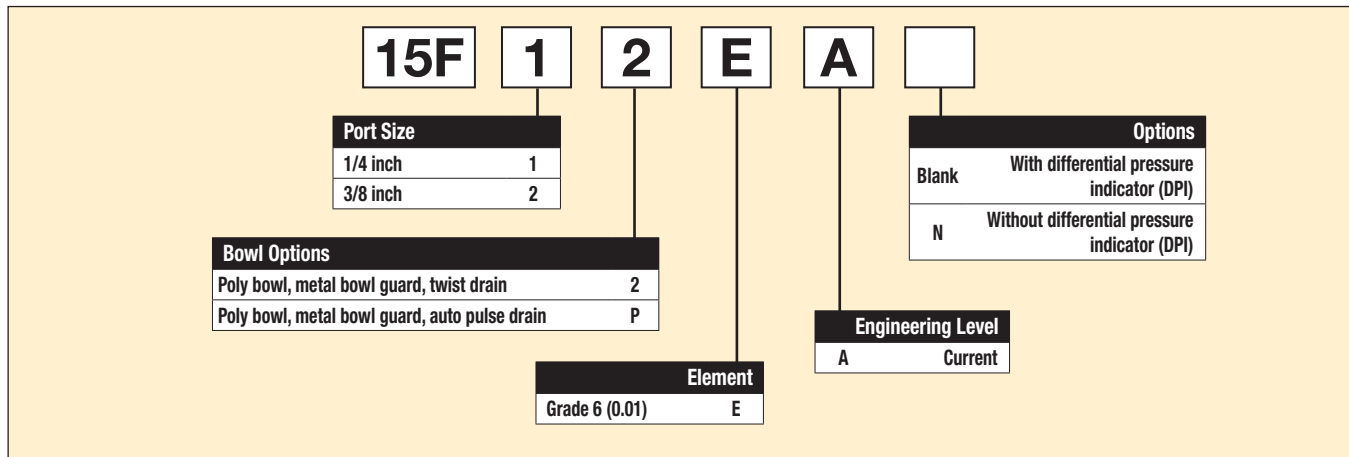
‡ For polycarbonate bowl, see caution in Engineering Section A.

**Operating information**

Supply pressure (max):	
Plastic bowl	
Without DPI	0 to 150 psig (0 to 10.3 bar)
With DPI	0 to 150 psig (0 to 10.3 bar)
Auto pulse drain	10 to 150 psig (0.7 to 10.3 bar)
Operating temperature:	
Plastic bowl	
Without DPI	32°F to 125°F (0°C to 52°C)
With DPI	32°F to 125°F (0°C to 52°C)
Flow capacity†:	Grade 6
	1/8" 30 scfm (14.2 dm <sup>3</sup> /s, ANR)
	1/4" 30 scfm (14.2 dm <sup>3</sup> /s, ANR)
Bowl capacity:	2.0 oz.
Sump capacity:	0.9 oz.
Weight:	1.2 lb (0.54 kg)

† scfm = Standard cubic feet per minute at 90 psig inlet and 5 psig pressure drop.  
DPI = Differential pressure indicator

**Ordering information:**



Most popular.



For inventory, lead times, and kit lookup, visit [www.pdnplu.com](http://www.pdnplu.com)



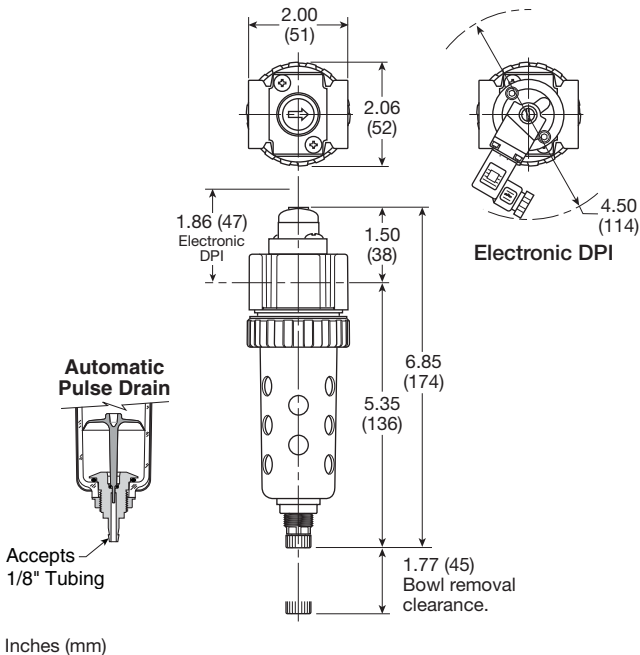
## Economy Coalescing Filters

### Material Specifications

Body	Zinc
Transparent bowl	Polycarbonate
Bowl guards	Steel
Collar	Plastic
Drain	Plastic
Element	Borosilicate & felt glass fibers
Seals	Nitrile
Sight gauge, DPI	Polyamide (nylon)

### Repair and Service Kits

Bowl Guard Kit	<b>PS905P</b>
Poly bowl / automatic pulse drain kit	<b>PS995P</b>
Poly bowl / twist drain kit	<b>PS932P</b>
DPI replacement kit	<b>PS781P</b>
Electronic DPI replacement kit	<b>PS764</b>
Automatic pulse drain kit	<b>PS998P</b>
Twist drain kit	<b>PS512P</b>
Electrical connector: 15mm, 3-pin DIN, 6 ft. cord	<b>PS2932JBP</b>
Filter element kits – Grade 6 (standard)	<b>PS924P</b>
Mounting bracket kit	<b>PS943P</b>
Sight gauge kit	<b>PS914P</b>

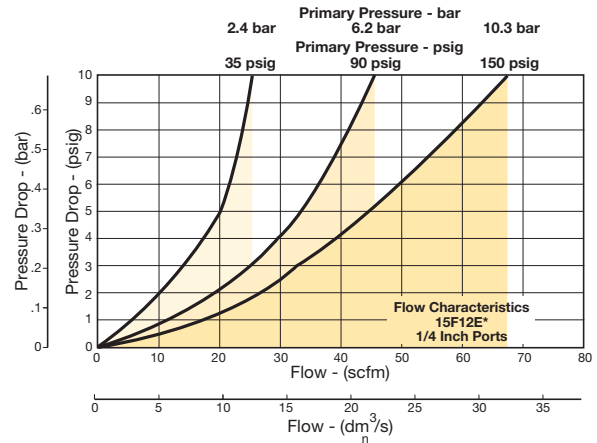


## Air Preparation Products Prep-Air® II Series

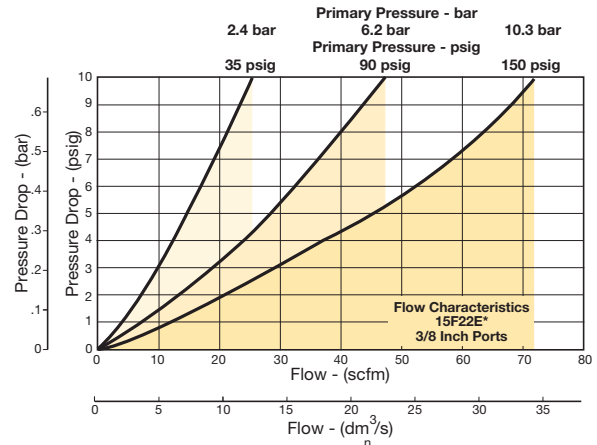
### Flow Charts

#### Grade 6 Element

##### 15F 1/4" Coalescing Filter



##### 15F 3/8" Coalescing Filter



Prep-Air® II  
Products



Filters

Coalescers

Regulators

Filter/  
Regulators

Lubricators

Combinations

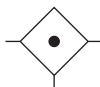
Accessories



For inventory, lead time, and kit lookup, visit [www.pdnplu.com](http://www.pdnplu.com)

# 11F Coalescing Filters – Compact

- Removes liquid aerosols and sub-micron particles.
- Liquids gravitate to the bottom of the element and will not re-enter the airstream
- Oil free air for critical applications, such as air gauging and pneumatic instrumentation and controls.
- Interchangeable twist and automatic float drains.
- Differential pressure indicator standard.
- Shown with recommended metal bowl guard.
- 1/4", 3/8", 1/2" ports (NPT, BSPP)



Port size	Description †	Part number
1/4"	Poly bowl, metal guard, twist drain	<b>11F12EC</b>
1/4"	Metal bowl, sight gauge, twist drain	<b>11F14EC</b>
1/4"	Poly bowl, metal guard, auto float drain	<b>11F16EC</b>
1/4"	Metal bowl, sight gauge, auto float drain	<b>11F18EC</b>
3/8"	Poly bowl, metal guard, twist drain	<b>11F22EC</b>
3/8"	Metal bowl, sight gauge, twist drain	<b>11F24EC</b>
3/8"	Poly bowl, metal guard, auto float drain	<b>11F26EC</b>
3/8"	Metal bowl, sight gauge, auto float drain	<b>11F28EC</b>
1/2"	Poly bowl, metal guard, twist drain	<b>11F32EC</b>
1/2"	Metal bowl, sight gauge, twist drain	<b>11F34EC</b>
1/2"	Poly bowl, metal guard, auto float drain	<b>11F36EC</b>
1/2"	Metal bowl, sight gauge, auto float drain	<b>11F38EC</b>

Standard part numbers shown bold, with Grade 6 Elements (for Grade 10 Elements, replace "E" with "H" in the 6th position). For other models refer to ordering information below.

† For polycarbonate bowl, see caution in Engineering Section A.

## Operating information

### Supply pressure (max):

Without DPI	
Plastic bowl	0 to 150 psig (0 to 10.3 bar)
Metal bowl	0 to 250 psig (0 to 17.2 bar)
With DPI	
Auto float drain	0 to 150 psig (0 to 10.3 bar) 15 to 250 psig (1.0 to 17.2 bar)

### Operating pressure drop:

Normal	2 psig (0.14 bar)
Max recommended	10 psig (0.7 bar)
(Element should be replaced)	
Minimum recommended flow:	20% nominal rating of element

### Operating temperature:

Plastic bowl	32°F to 125°F (0°C to 52°C)
Metal bowl	32°F to 175°F (0°C to 80°C)
With DPI	32°F to 125°F (0°C to 52°C)

### Flow capacity†:

Grade 6 (0.01 micron)	1/4"	45 scfm (21 dm <sup>3</sup> /s, ANR)
	3/8"	48 scfm (23 dm <sup>3</sup> /s, ANR)
	1/2"	65 scfm (31 dm <sup>3</sup> /s, ANR)
Grade 10 (1.0 micron)	1/4"	60 scfm (28.3 dm <sup>3</sup> /s, ANR)
	3/8"	72 scfm (34 dm <sup>3</sup> /s, ANR)
	1/2"	95 scfm (45 dm <sup>3</sup> /s, ANR)

Bowl capacity:	4.4 oz.
Sump capacity:	1.75 oz.
Weight:	1.5 lb (0.7 kg)

† scfm = Standard cubic feet per minute at 90 psig inlet and 5 psig pressure drop.  
DPI = Differential pressure indicator

## Ordering information:

**11F**

Port Size	
1/4 inch	1
3/8 inch	2
1/2 inch	3

**1**

**2**

Bowl Options	
Poly bowl, metal bowl guard, twist drain	2
Poly bowl, metal bowl guard, auto float drain	6
Metal bowl, twist drain	3
Metal bowl, sight gauge, twist drain	4
Metal bowl, auto float drain	7
Metal bowl, sight gauge, auto float drain	8

**E**

Element	
E	Grade 6
H	Grade 10

**C**

Engineering Level	
C	Current

**Port Type**

Blank	NPT
1*	BSPP

\* 1/4 & 3/8 inch meets ISO 1179-1 standard.

**Options**

Blank	With differential pressure indicator (DPI)
N	Without differential pressure indicator (DPI)

Most popular.



For inventory, lead times, and kit lookup, visit [www.pdnplu.com](http://www.pdnplu.com)

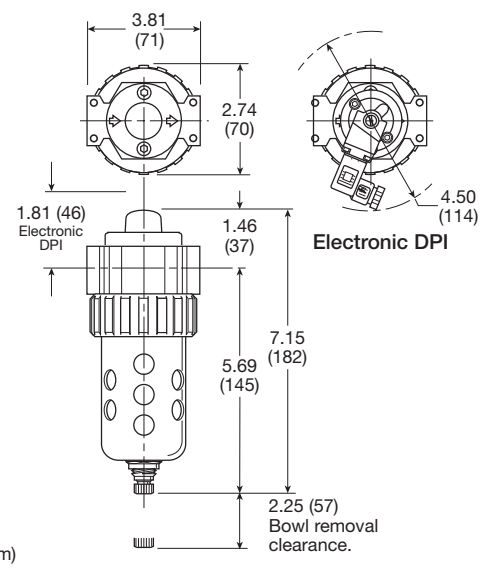
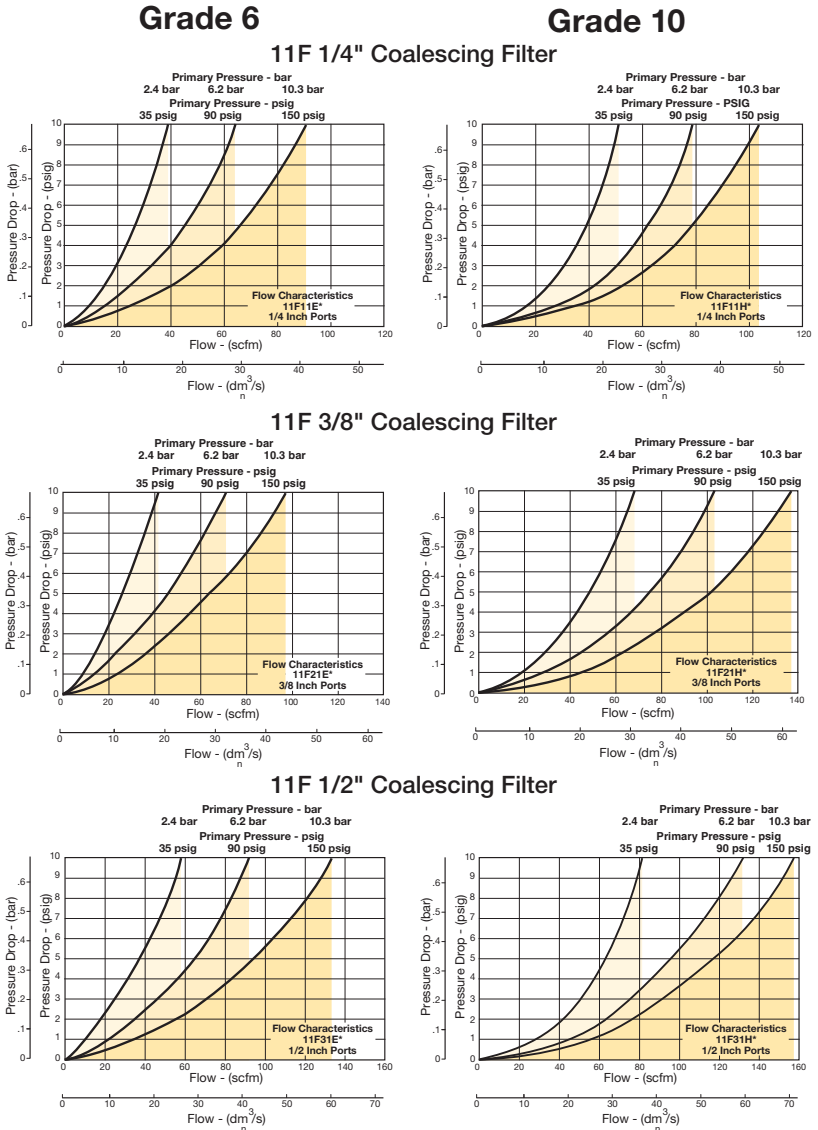
**Material Specifications**

Body	Zinc
Transparent bowl	Polycarbonate
Metal bowl	Zinc
Bowl guard	Steel
Collar	Plastic
Twist drain, body & nut	Plastic
Push 'N' drain, body	Nitrile
Push 'N' drain, stem	Brass
Automatic float drain, housing, float	Plastic
Automatic float drain, seals	Nitrile
Automatic float drain, springs, push rod	Stainless steel
Element	Borosilicate & felt glass fibers
Seals	Nitrile
Sight gauge	Polyamide

**Repair and Service Kits**

Bowl guard kit	<b>PS705P</b>
Poly bowl / automatic float drain kit	<b>PS722P</b>
Poly bowl / twist drain kit	<b>PS732P</b>
Metal bowl / automatic float drain kit	<b>PS726P</b>
Metal bowl / twist drain kit	<b>PS734P</b>
Metal bowl / sight gauge / automatic float drain kit	<b>PS723P</b>
Metal bowl / sight gauge / twist drain kit	<b>PS735P</b>
DPI replacement kit	<b>PS781P</b>
Electronic DPI replacement kit	<b>PS764</b>
Automatic float drain kit	<b>PS506P</b>
Semi-auto drain kit	<b>PS511P</b>
Twist drain kit	<b>PS512P</b>
Push 'N' drain kit	<b>PS513P</b>
Electrical connector: 15mm, 3-pin DIN, 6 ft. cord	<b>PS2932JBP</b>
Grade 6 element (standard)	<b>PS724P</b>
Grade 10 element (optional)	<b>PS730P</b>
Mounting bracket kit	<b>PS743P</b>
Sight gauge kit	<b>PS914P</b>

**Flow Charts**

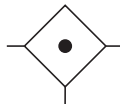


For inventory, lead time, and kit lookup, visit [www.pdnplu.com](http://www.pdnplu.com)



**12F Coalescing Filters – Standard**

- Removes liquid aerosols and sub-micron particles.
- Liquids gravitate to the bottom of the element and will not re-enter the airstream.
- Oil free air for critical applications, such as air gauging and pneumatic instrumentation and controls.
- Interchangeable twist and automatic float drains.
- Differential pressure indicator standard.
- Shown with recommended metal bowl guard.
- 1/2", 3/4" ports (NPT, BSPP)



Port size	Description †	Part number
1/2"	Poly bowl, metal guard, twist drain	<b>12F32EC</b>
1/2"	Metal bowl, sight gauge, twist drain	<b>12F34EC</b>
1/2"	Poly bowl, metal guard, auto float drain	<b>12F36EC</b>
1/2"	Metal bowl, sight gauge, auto float drain	<b>12F38EC</b>
3/4"	Poly bowl, metal guard, twist drain	<b>12F42EC</b>
3/4"	Metal bowl, sight gauge, twist drain	<b>12F44EC</b>
3/4"	Poly bowl, metal guard, auto float drain	<b>12F46EC</b>
3/4"	Metal bowl, sight gauge, auto float drain	<b>12F48EC</b>

Standard part numbers shown bold, with Grade 6 Elements (for Grade 10 Elements, replace "E" with "H" in the 6th position). For other models refer to ordering information below.

† For polycarbonate bowl, see caution in Engineering Section A.

**Operating information**

Supply pressure (max):	
Without DPI	
Plastic bowl	0 to 150 psig (0 to 10.3 bar)
Metal bowl	0 to 250 psig (0 to 17.2 bar)
With DPI	
Auto float drain	0 to 150 psig (0 to 10.3 bar) 15 to 250 psig (1.0 to 17.2 bar)
Operating pressure drop:	
Normal	2 psig (0.14 bar)
Max recommended (Element should be replaced)	10 psig (0.7 bar)
Minimum recommended flow:	20% nominal rating of element
Operating temperature:	
Plastic bowl	32°F to 125°F (0°C to 52°C)
Metal bowl	32°F to 175°F (0°C to 80°C)
With DPI	32°F to 125°F (0°C to 52°C)
Flow capacity†:	
Grade 6	1/2" 75 scfm (35.4 dm <sup>3</sup> /s, ANR) 3/4" 80 scfm (37.7 dm <sup>3</sup> /s, ANR)
Grade 10	1/2" 125 scfm (59 dm <sup>3</sup> /s, ANR) 3/4" 160 scfm (75.5 dm <sup>3</sup> /s, ANR)
Bowl capacity:	7.2 oz.
Sump capacity:	2.8 oz.
Weight:	2.4 lb (1.1 kg)
† scfm = Standard cubic feet per minute at 90 psig inlet and 5 psig pressure drop. DPI = Differential pressure indicator	

**Ordering information:**

<b>12F</b>	<b>3</b>	<b>2</b>	<b>E</b>	<b>C</b>		
<b>Port Size</b>					<b>Port Type</b>	
1/2 inch	3				Blank	NPT
3/4 inch	4				1*	BSPP
					* 1/2 inch meets ISO 1179-1 standard.	
<b>Bowl Options</b>					<b>Options</b>	
Poly bowl, metal bowl guard, twist drain		2			Blank	With differential pressure indicator (DPI)
Poly bowl, metal bowl guard, auto float drain		6			N	Without differential pressure indicator (DPI)
Metal bowl, twist drain		3				
Metal bowl, sight gauge, twist drain		4				
Metal bowl, auto float drain		7				
Metal bowl, sight gauge, auto float drain		8				
			<b>Engineering Level</b>			
			C	Current		
			<b>Element</b>			
			E	Grade 6		
			H	Grade 10		

Most popular.



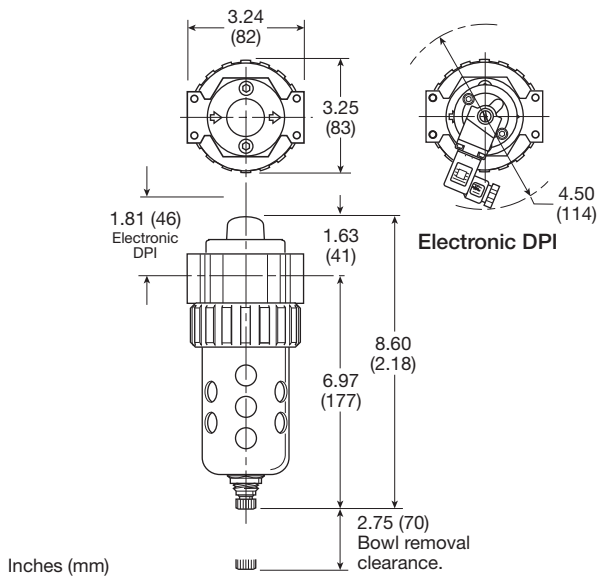
For inventory, lead times, and kit lookup, visit [www.pdnplu.com](http://www.pdnplu.com)

**Material Specifications**

Body	Zinc
Transparent bowl	Polycarbonate
Metal bowl with or without sight gauge	Zinc
Bowl guard	Steel
Collar	Plastic or metal
Twist drain, body & nut	Plastic
Push 'N' drain, body	Nitrile
Push 'N' drain, stem	Brass
Automatic float drain, housing, float	Plastic
Automatic float drain, seals	Nitrile
Automatic float drain, springs, push rod	Stainless steel
Element	Borosilicate & felt glass fibers
Seals	Nitrile
Sight gauge	Polyamide

**Repair and Service Kits**

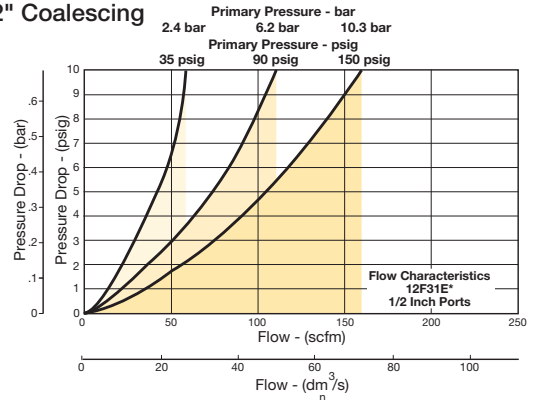
Bowl guard kit	<b>PS805P</b>
Poly bowl / automatic float drain kit	<b>PS822P</b>
Poly bowl / twist drain kit	<b>PS832P</b>
Metal bowl / automatic float drain kit	<b>PS826P</b>
Metal bowl / twist drain kit	<b>PS834P</b>
Metal bowl / sight gauge / automatic float drain kit	<b>PS823P</b>
Metal bowl / sight gauge / twist drain kit	<b>PS835P</b>
DPI replacement kit	<b>PS781P</b>
Electronic DPI replacement kit	<b>PS764</b>
Automatic float drain kit	<b>PS506P</b>
Semi-auto drain kit	<b>PS511P</b>
Twist drain kit	<b>PS512P</b>
Push 'N' drain kit	<b>PS513P</b>
Electrical connector: 15mm, 3-pin DIN, 6 ft. cord	<b>PS2932JBP</b>
Grade 6 element (standard)	<b>PS824P</b>
Grade 10 element (optional)	<b>PS830P</b>
Mounting bracket kit	<b>PS843P</b>
Sight gauge kit	<b>PS914P</b>



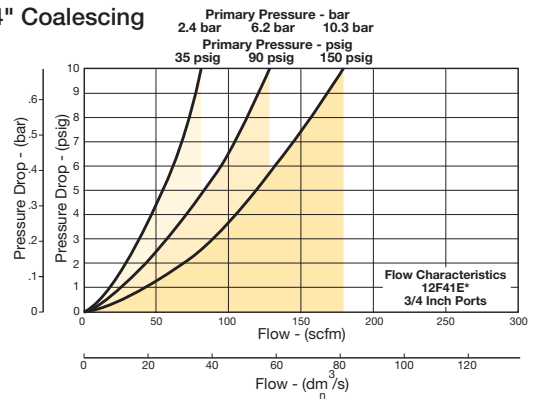
**Flow Charts**

**Grade 6 Element**

**12F 1/2" Coalescing Filter**

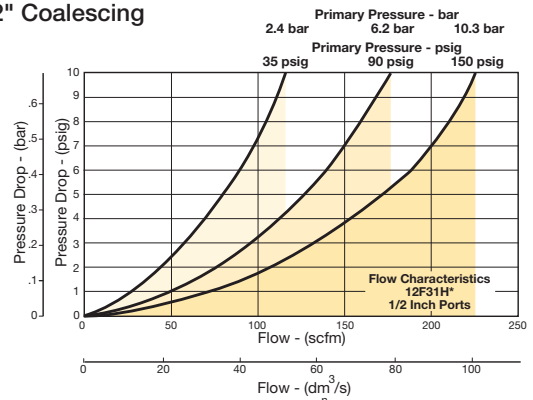


**12F 3/4" Coalescing Filter**

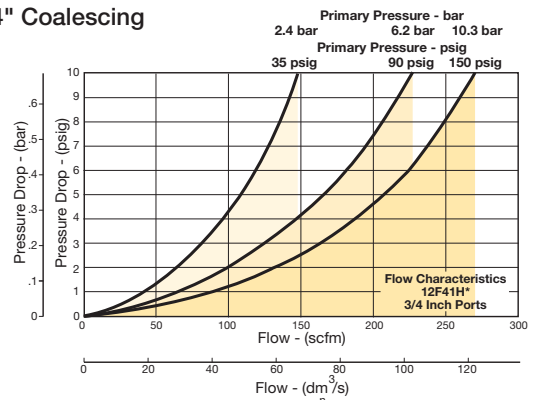


**Grade 10 Element**

**12F 1/2" Coalescing Filter**



**12F 3/4" Coalescing Filter**

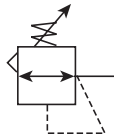


For inventory, lead time, and kit lookup, visit [www.pdnplu.com](http://www.pdnplu.com)



## 05R Regulators – Economy

- Secondary aspiration plus balanced poppet provides quick response and accurate pressure regulation.
- Rolling diaphragm for extended life.
- Removable non-rising knob for panel mounting and tamper resistance.
- Easily serviced.
- Reverse flow.
- 1/4", 3/8" ports (NPT)



### Operating information

Supply pressure (max):	0 to 300 psig (0 to 20.7 bar)	
	For secondary pressure ranges see charts next page.	
Operating temperature:	32°F to 175°F (0°C to 80°C)	
Low temperature	-4°F to 125°F (-20°C to 52°C)	
Flow capacity†:		
High flow	1/4"	30 scfm (14.2 dm³/s, ANR)
	3/8"	40 scfm (18.9 dm³/s, ANR)
Gauge ports (2):	1/4 inch	
Weight:	1.1 lb (0.49 kg)	

† scfm = Standard cubic feet per minute at 100 psig inlet, 90 psig no flow secondary setting and 10 psig pressure drop.

Port size	Description	Part number
1/4"	Without gauge	<b>05R113AD</b>
1/4"	With 160 psi gauge	<b>05R118AD</b>
3/8"	Without gauge	<b>05R213AD</b>
3/8"	With 160 psi gauge	<b>05R218AD</b>

NOTE: 1.53 Dia. (39 mm) hole required for panel mounting.

### Ordering information:

05R
1
13
A
D

<table border="1" style="width: 100%; border-collapse: collapse;"> <thead> <tr> <th colspan="2">Port Size</th> </tr> </thead> <tbody> <tr> <td style="width: 50%;">1/4 inch</td> <td style="text-align: center;">1</td> </tr> <tr> <td>3/8 inch</td> <td style="text-align: center;">2</td> </tr> </tbody> </table>	Port Size		1/4 inch	1	3/8 inch	2	<table border="1" style="width: 100%; border-collapse: collapse;"> <thead> <tr> <th colspan="2">Pressure Range</th> </tr> </thead> <tbody> <tr> <td colspan="2"><b>Without gauge</b></td> </tr> <tr> <td>60 psig</td> <td style="text-align: center;">11</td> </tr> <tr> <td>125 psig</td> <td style="text-align: center;">13</td> </tr> <tr> <td>200 psig</td> <td style="text-align: center;">14</td> </tr> <tr> <td colspan="2"><b>With gauge*</b></td> </tr> <tr> <td>60 psig</td> <td style="text-align: center;">16</td> </tr> <tr> <td>125 psig</td> <td style="text-align: center;">18</td> </tr> <tr> <td>200 psig</td> <td style="text-align: center;">19</td> </tr> </tbody> </table> <p style="font-size: 8pt; margin-top: 5px;">* Includes 1-1/2" dial face gauge.</p>	Pressure Range		<b>Without gauge</b>		60 psig	11	125 psig	13	200 psig	14	<b>With gauge*</b>		60 psig	16	125 psig	18	200 psig	19	<table border="1" style="width: 100%; border-collapse: collapse;"> <thead> <tr> <th colspan="2">Engineering Level</th> </tr> </thead> <tbody> <tr> <td style="width: 50%;">D</td> <td style="text-align: center;">Current</td> </tr> </tbody> </table>	Engineering Level		D	Current	<table border="1" style="width: 100%; border-collapse: collapse;"> <thead> <tr> <th colspan="2">Relief</th> </tr> </thead> <tbody> <tr> <td style="width: 50%;">A</td> <td style="text-align: center;">Relieving</td> </tr> </tbody> </table>	Relief		A	Relieving
Port Size																																			
1/4 inch	1																																		
3/8 inch	2																																		
Pressure Range																																			
<b>Without gauge</b>																																			
60 psig	11																																		
125 psig	13																																		
200 psig	14																																		
<b>With gauge*</b>																																			
60 psig	16																																		
125 psig	18																																		
200 psig	19																																		
Engineering Level																																			
D	Current																																		
Relief																																			
A	Relieving																																		

Most popular.



For inventory, lead times, and kit lookup, visit [www.pdnplu.com](http://www.pdnplu.com)

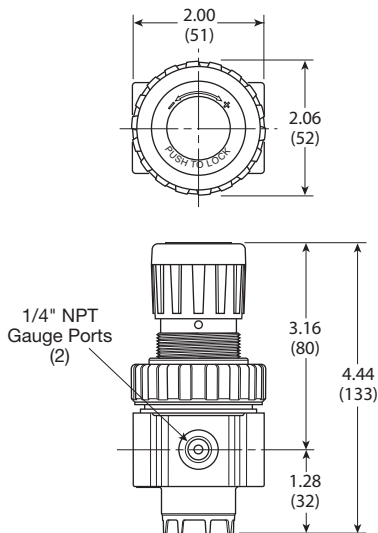
## Economy Regulators

### Material Specifications

Adjusting stem	Brass
Bonnet	Plastic
Body	Zinc
Collar, Knob	Plastic
Diaphragm	Nitrile
Poppet & cap	Plastic
Seals	Nitrile
Springs – poppet & control	Steel

### Repair and Service Kits

Bonnet assembly kit	<b>PS915P</b>
Control knob	<b>P04420</b>
1-1/2" dial face 30 psig (0 to 2.1 bar), gauge	<b>K4515N14030</b>
1-1/2" dial face 60 psig (0 to 4.1 bar), gauge	<b>K4515N14060</b>
1-1/2" dial face 160 psig (0 to 11.0 bar), gauge	<b>K4515N14160</b>
1-1/2" dial face 300 psig (0 to 20.7 bar), gauge	<b>K4515N14300</b>
2" dial face 60 psig (0 to 4.1 bar), gauge	<b>K4520N14060</b>
2" dial face 160 psig (0 to 11.0 bar), gauge	<b>K4520N14160</b>
2" dial face 300 psig (0 to 20.7 bar), gauge	<b>K4520N14300</b>
Mounting bracket kit	<b>PS963P</b>
Panel mount nut – metal	<b>PS964P</b>
1-30 psig spring	<b>P04427</b>
1-60 psig spring	<b>P04426</b>
2-125 psig spring	<b>P04425</b>
2-200 psig spring	<b>P02934</b>
Relieving service kit	<b>PS908P</b>



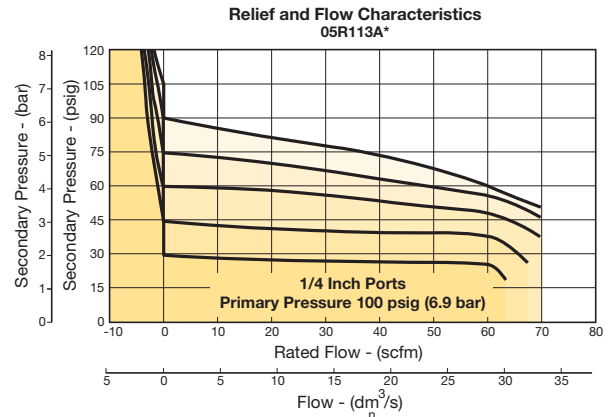
Inches (mm)

## Air Preparation Products

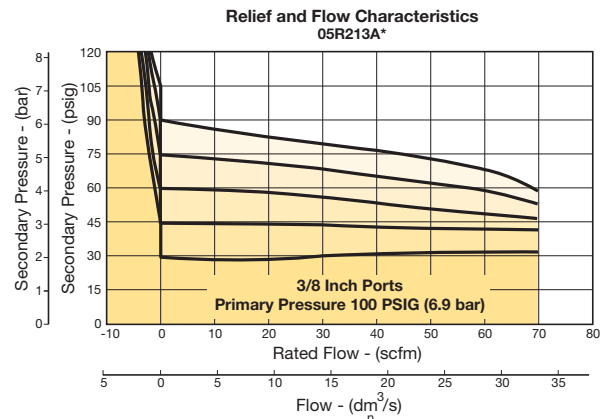
### Prep-Air® II Series

### Flow Charts

#### 05R 1/4" Regulator



#### 05R 3/8" Regulator



**⚠ WARNING**

**Product rupture can cause serious injury.  
Do not connect regulator to bottled gas.  
Do not exceed Maximum primary pressure rating.**

**CAUTION:**  
**REGULATOR PRESSURE ADJUSTMENT** – The working range of knob adjustment is designed to permit outlet pressures within their full range. Pressure adjustment beyond this range is also possible because the knob is not a limiting device. This is a common characteristic of most industrial regulators, and limiting devices may be obtained only by special design. For best performance, regulated pressure should always be set by increasing the pressure up to the desired setting.

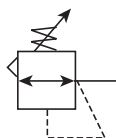


For inventory, lead time, and kit lookup, visit [www.pdnplu.com](http://www.pdnplu.com)



## 06R Regulators – Compact

- Secondary aspiration plus balanced poppet provides quick response and accurate pressure regulation
- Rolling diaphragm for extended life
- Two high flow 1/4" gauge ports can be used as additional outlets
- Easily serviced
- Removable non-rising knob for panel mounting and tamper resistance
- 1/4", 3/8", 1/2" ports (NPT, BSPP)



Port size	Description	Part number
1/4"	Without gauge	<b>06R113AC</b>
1/4"	With 160 psi gauge	<b>06R118AC</b>
3/8"	Without gauge	<b>06R213AC</b>
3/8"	With 160 psi gauge	<b>06R218AC</b>
1/2"	Without gauge	<b>06R313AC</b>
1/2"	With 160 psi gauge	<b>06R318AC</b>

NOTE: 2.0 Dia. (51 mm) hole required for panel mounting.

### Operating information

Supply pressure (max):	250 psig (17.2 bar)
Secondary pressure ranges:	
Standard	2 to 125 psig (0 to 8.6 bar)
Low	1 to 60 psig (0 to 4.1 bar)
High	5 to 250 psig (0.4 to 17.2 bar)
Operating temperature:	32°F to 175°F (0°C to 80°C)
Low temperature	-4°F to 125°F (-20°C to 52°C)
Flow capacity†:	
High flow	1/4" 53 scfm (25 dm³/s, ANR)
	3/8" 60 scfm (28.3 dm³/s, ANR)
	1/2" 75 scfm (35.4 dm³/s, ANR)
Gauge ports (2):	1/4 inch (can be used as additional full flow 1/4 inch outlet ports)
Weight:	1.6 lb (0.7 kg)

† scfm – Standard cubic feet per minute at 100 psig inlet, 90 psig no flow secondary setting and 10 psig pressure drop.

### Ordering information:

<b>06R</b>	<b>1</b>	<b>13</b>	<b>A</b>	<b>C</b>																																																					
<table border="1"> <thead> <tr><th colspan="2">Port Size</th></tr> </thead> <tbody> <tr><td>1/4 inch</td><td>1</td></tr> <tr><td>3/8 inch</td><td>2</td></tr> <tr><td>1/2 inch</td><td>3</td></tr> </tbody> </table>		Port Size		1/4 inch	1	3/8 inch	2	1/2 inch	3	<table border="1"> <thead> <tr><th colspan="2">Pressure Range</th></tr> </thead> <tbody> <tr><td colspan="2">Without gauge</td></tr> <tr><td>60 psig</td><td>11</td></tr> <tr><td>125 psig</td><td>13</td></tr> <tr><td>250 psig</td><td>15</td></tr> <tr><td colspan="2">With gauge*</td></tr> <tr><td>60 psig</td><td>16</td></tr> <tr><td>125 psig</td><td>18</td></tr> <tr><td>250 psig</td><td>21</td></tr> </tbody> </table> <p>* Includes 1-1/2" dial face gauge.</p>		Pressure Range		Without gauge		60 psig	11	125 psig	13	250 psig	15	With gauge*		60 psig	16	125 psig	18	250 psig	21	<table border="1"> <thead> <tr><th colspan="2">Relief</th></tr> </thead> <tbody> <tr><td>Relieving</td><td>A</td></tr> <tr><td>Non-relieving</td><td>L</td></tr> </tbody> </table>		Relief		Relieving	A	Non-relieving	L	<table border="1"> <thead> <tr><th colspan="2">Preset / Pressure Limited</th></tr> </thead> <tbody> <tr><td>Blank</td><td>None</td></tr> <tr><td>XXX*</td><td>Preset pressure</td></tr> </tbody> </table> <p>* Available preset / pressure limited range, 10 to 90 psig in 5 psig increments. For higher pressures, contact factory. (Example: 065 = 65 psig)</p>		Preset / Pressure Limited		Blank	None	XXX*	Preset pressure	<table border="1"> <thead> <tr><th colspan="2">Options</th></tr> </thead> <tbody> <tr><td>Blank</td><td>No option</td></tr> <tr><td>L†</td><td>Preset non-adjustable</td></tr> <tr><td>P†</td><td>Preset adjustable</td></tr> <tr><td>R</td><td>Reverse Flow</td></tr> </tbody> </table> <p>† Inlet Pressure is 100 psig. For other pressures, contact factory.</p>		Options		Blank	No option	L†	Preset non-adjustable	P†	Preset adjustable	R	Reverse Flow
Port Size																																																									
1/4 inch	1																																																								
3/8 inch	2																																																								
1/2 inch	3																																																								
Pressure Range																																																									
Without gauge																																																									
60 psig	11																																																								
125 psig	13																																																								
250 psig	15																																																								
With gauge*																																																									
60 psig	16																																																								
125 psig	18																																																								
250 psig	21																																																								
Relief																																																									
Relieving	A																																																								
Non-relieving	L																																																								
Preset / Pressure Limited																																																									
Blank	None																																																								
XXX*	Preset pressure																																																								
Options																																																									
Blank	No option																																																								
L†	Preset non-adjustable																																																								
P†	Preset adjustable																																																								
R	Reverse Flow																																																								
<p>Spring Type by Preset / Limited Pressure:            For Preset / Limited Pressure 26 to 50 use 60 psi spring            For Preset / Limited Pressure 51 to 90 use 125 psi spring</p>				<table border="1"> <thead> <tr><th colspan="2">Port Type</th></tr> </thead> <tbody> <tr><td>Blank</td><td>NPT</td></tr> <tr><td>1*</td><td>BSPP</td></tr> </tbody> </table> <p>* 1/4 &amp; 3/8 inch meet ISO 1179-1 Standard.</p>		Port Type		Blank	NPT	1*	BSPP	<table border="1"> <thead> <tr><th colspan="2">Engineering Level</th></tr> </thead> <tbody> <tr><td>Current</td><td>C</td></tr> </tbody> </table>		Engineering Level		Current	C																																								
Port Type																																																									
Blank	NPT																																																								
1*	BSPP																																																								
Engineering Level																																																									
Current	C																																																								

Most popular.



For inventory, lead times, and kit lookup, visit [www.pdnplu.com](http://www.pdnplu.com)

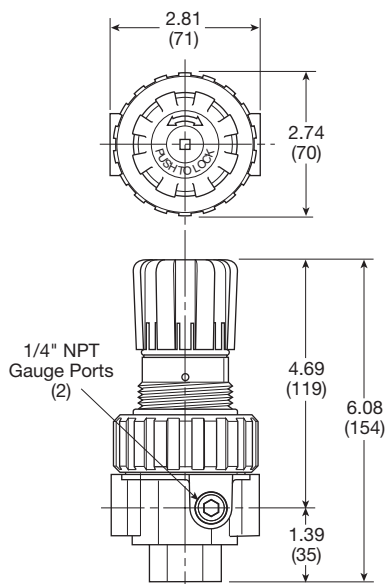


**Material Specifications**

Adjusting stem	Steel
Body	Zinc
Bonnet, piston stem, valve poppet & cap	Plastic
Collar, knob	Plastic
Diaphragm	Nitrile
Seals	Nitrile
Spring, poppet	Stainless
Spring, control	Steel

**Repair and Service Kits**

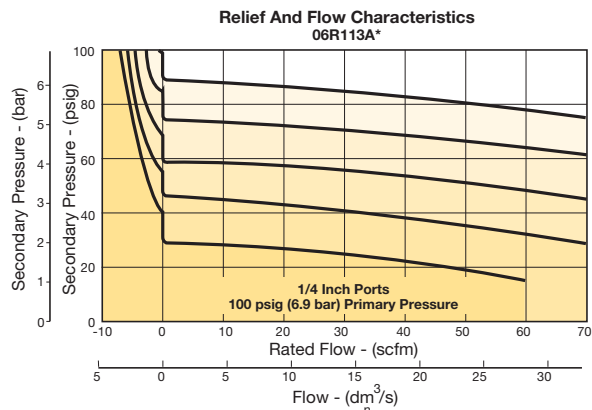
Bonnet assembly kit	<b>PS715P</b>
Control knob	<b>P04069B</b>
2" dial face 60 psig (0 to 4.1 bar), gauge	<b>K4520N14060</b>
2" dial face 160 psig (0 to 11.0 bar), gauge	<b>K4520N14160</b>
2" dial face 300 psig (0 to 20.7 bar), gauge	<b>K4520N14300</b>
1-3/4" digital round face 160 psig (0 to 11.0 bar) gauge	<b>K4517N14160D</b>
Mounting bracket kit (includes panel mount nut)	<b>PS707P</b>
Panel mount nut, plastic	<b>P04082</b>
Panel mount nut, metal	<b>P04079B</b>
Reverse flow service conversion kit, relieving	<b>PS708RP</b>
Relieving (includes poppet)	<b>PS708P</b>
Non-relieving (includes poppet)	<b>PS709P</b>
1-30 psig spring	<b>P01698</b>
1-60 psig spring	<b>P04062</b>
2-125 psig spring	<b>P04063</b>
5-250 psig spring	<b>P04064</b>
Tamperproof kit	<b>PS737P</b>



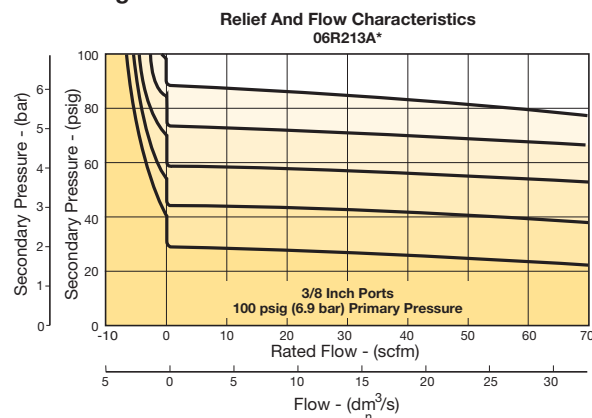
Inches (mm)

**Flow Charts**

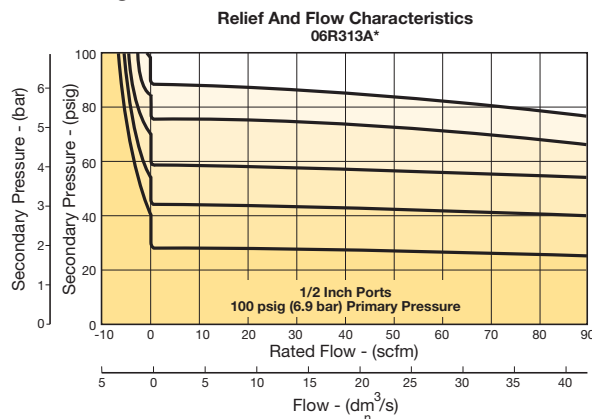
**06R 1/4" Regulator**



**06R 3/8" Regulator**



**06R 1/2" Regulator**



**WARNING**  
 Product rupture can cause serious injury.  
 Do not connect regulator to bottled gas.  
 Do not exceed Maximum primary pressure rating.

**CAUTION:**  
**REGULATOR PRESSURE ADJUSTMENT** – The working range of knob adjustment is designed to permit outlet pressures within their full range. Pressure adjustment beyond this range is also possible because the knob is not a limiting device. This is a common characteristic of most industrial regulators, and limiting devices may be obtained only by special design. For best performance, regulated pressure should always be set by increasing the pressure up to the desired setting.

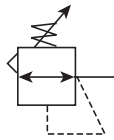
Prep-Air® II Products
Filters
Coalescers
Regulators
Filter / Regulators
Lubricators
Combinations
Accessories



For inventory, lead time, and kit lookup, visit [www.pdnplu.com](http://www.pdnplu.com)

## 07R Regulators – Standard

- Secondary aspiration plus balanced poppet provides quick response and accurate pressure regulation
- Rolling diaphragm for extended life
- Two high flow 1/4" gauge ports can be used as additional outlets
- Easily serviced
- Removable non-rising knob for panel mounting and tamper resistance
- 1/2", 3/4" ports (NPT, BSPP)



Port size	Description	Part number
1/2"	Without gauge	<b>07R313AC</b>
1/2"	With 160 psi gauge	<b>07R318AC</b>
3/4"	Without gauge	<b>07R413AC</b>
3/4"	With 160 psi gauge	<b>07R418AC</b>

NOTE: 2.0 Dia. (51 mm) hole required for panel mounting.

### Operating information

Supply pressure (max):	250 psig (17.2 bar)	
Secondary pressure ranges:		
Standard	2 to 125 psig (0 to 8.6 bar)	
Low	1 to 60 psig (0 to 4.1 bar)	
High	5 to 250 psig (0.4 to 17.2 bar)	
Operating temperature:	32°F to 175°F (0°C to 80°C)	
Low temperature	-4°F to 125°F (-20°C to 52°C)	
Flow capacity†:		
High flow	1/2"	90 scfm (42.5 dm³/s, ANR)
	3/4"	90 scfm (42.5 dm³/s, ANR)
Gauge ports (2):	1/4 inch (can be used as additional full flow 1/4 inch outlet ports)	
Weight:	2.5 lb (1.1 kg)	

† scfm = Standard cubic feet per minute at 100 psig inlet, 90 psig no flow secondary setting and 10 psig pressure drop.

### Ordering information:

<b>07R</b>	<b>3</b>	<b>13</b>	<b>A</b>	<b>C</b>																																			
<table border="1"> <thead> <tr><th>Port Size</th></tr> </thead> <tbody> <tr><td>1/2 inch</td><td>3</td></tr> <tr><td>3/4 inch</td><td>4</td></tr> </tbody> </table>		Port Size	1/2 inch	3	3/4 inch	4	<table border="1"> <thead> <tr><th>Pressure Range</th></tr> </thead> <tbody> <tr><td>Without gauge</td><td></td></tr> <tr><td>60 psig</td><td>11</td></tr> <tr><td>125 psig</td><td>13</td></tr> <tr><td>250 psig</td><td>15</td></tr> <tr><td>With gauge*</td><td></td></tr> <tr><td>60 psig</td><td>16</td></tr> <tr><td>125 psig</td><td>18</td></tr> <tr><td>250 psig</td><td>21</td></tr> </tbody> </table>		Pressure Range	Without gauge		60 psig	11	125 psig	13	250 psig	15	With gauge*		60 psig	16	125 psig	18	250 psig	21	<table border="1"> <thead> <tr><th>Relief</th></tr> </thead> <tbody> <tr><td>Relieving</td><td>A</td></tr> <tr><td>Non-relieving</td><td>L</td></tr> </tbody> </table>		Relief	Relieving	A	Non-relieving	L	<table border="1"> <thead> <tr><th>Preset / Pressure Limited</th></tr> </thead> <tbody> <tr><td>Blank</td><td>None</td></tr> <tr><td>XXX*</td><td>Preset pressure</td></tr> </tbody> </table>		Preset / Pressure Limited	Blank	None	XXX*	Preset pressure
Port Size																																							
1/2 inch	3																																						
3/4 inch	4																																						
Pressure Range																																							
Without gauge																																							
60 psig	11																																						
125 psig	13																																						
250 psig	15																																						
With gauge*																																							
60 psig	16																																						
125 psig	18																																						
250 psig	21																																						
Relief																																							
Relieving	A																																						
Non-relieving	L																																						
Preset / Pressure Limited																																							
Blank	None																																						
XXX*	Preset pressure																																						
<table border="1"> <thead> <tr><th>Options</th></tr> </thead> <tbody> <tr><td>Blank</td><td>No option</td></tr> <tr><td>L †</td><td>Preset non-adjustable</td></tr> <tr><td>P †</td><td>Preset Adjustable</td></tr> <tr><td>R</td><td>Reverse Flow</td></tr> </tbody> </table>		Options	Blank	No option	L †	Preset non-adjustable	P †	Preset Adjustable	R	Reverse Flow	<table border="1"> <thead> <tr><th>Port Type</th></tr> </thead> <tbody> <tr><td>Blank</td><td>NPT</td></tr> <tr><td>1*</td><td>BSPP</td></tr> </tbody> </table>		Port Type	Blank	NPT	1*	BSPP	<table border="1"> <thead> <tr><th>Engineering Level</th></tr> </thead> <tbody> <tr><td>Current</td><td>C</td></tr> </tbody> </table>		Engineering Level	Current	C	<p>* Available preset / pressure limited range, 10 to 90 psig in 5 psig increments. For higher pressures, contact factory. (Example: 065 = 65 psig)</p> <p>† Inlet Pressure is 100 psig. For other pressures, contact factory.</p>																
Options																																							
Blank	No option																																						
L †	Preset non-adjustable																																						
P †	Preset Adjustable																																						
R	Reverse Flow																																						
Port Type																																							
Blank	NPT																																						
1*	BSPP																																						
Engineering Level																																							
Current	C																																						
<p>Spring Type by Preset / Limited Pressure:          For Preset / Limited Pressure 26 to 50 use 60 psi spring          For Preset / Limited Pressure 51 to 90 use 125 psi spring</p>		<p>* Includes 1-1/2" dial face gauge.</p>		<p>* 1/4 &amp; 3/8 inch meet ISO 1179-1 Standard.</p>		<p>‡ Most popular.</p>																																	



For inventory, lead times, and kit lookup, visit [www.pdnplu.com](http://www.pdnplu.com)

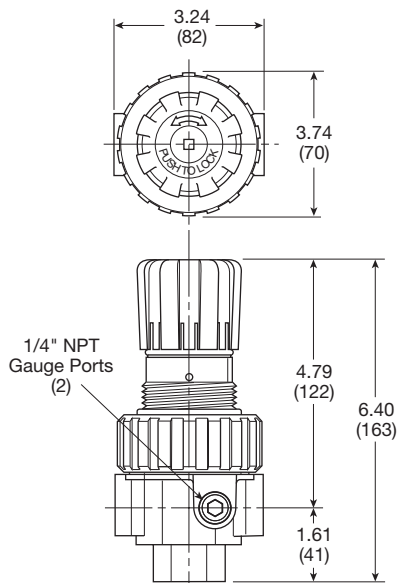
## Standard Regulators

### Material Specifications

Adjusting stem	Steel
Body	Zinc
Bonnet, piston stem, valve poppet & cap	Plastic
Collar, knob	Plastic
Diaphragm	Nitrile
Seals	Nitrile
Spring, poppet	Stainless
Spring, control	Steel

### Repair and Service Kits

Bonnet assembly kit	<b>PS715P</b>
Control knob	<b>P04069B</b>
2" dial face 60 psig (0 to 4.1 bar), gauge	<b>K4520N14060</b>
2" dial face 160 psig (0 to 11.0 bar), gauge	<b>K4520N14160</b>
2" dial face 300 psig (0 to 20.7 bar), gauge	<b>K4520N14300</b>
1-3/4" digital round face 160 psig (0 to 11.0 bar), gauge	<b>K4517N14160D</b>
Mounting bracket kit (includes panel mount nut)	<b>PS807P</b>
Panel mount nut, plastic	<b>P04082</b>
Panel Mount nut, metal	<b>P04079B</b>
Reverse flow service conversion kit, relieving	<b>PS808RP</b>
Relieving (includes poppet)	<b>PS808P</b>
Non-relieving (includes poppet)	<b>PS809P</b>
1-30 psig spring	<b>P01698</b>
1-60 psig spring	<b>P04062</b>
2-125 psig spring	<b>P04063</b>
5-250 psig spring	<b>P04064</b>
Tamperproof kit	<b>PS737P</b>

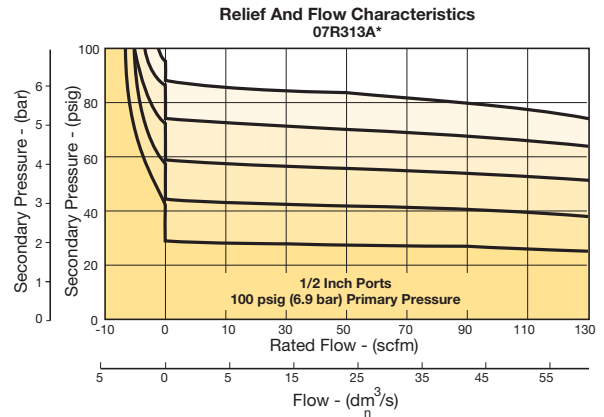


Inches (mm)

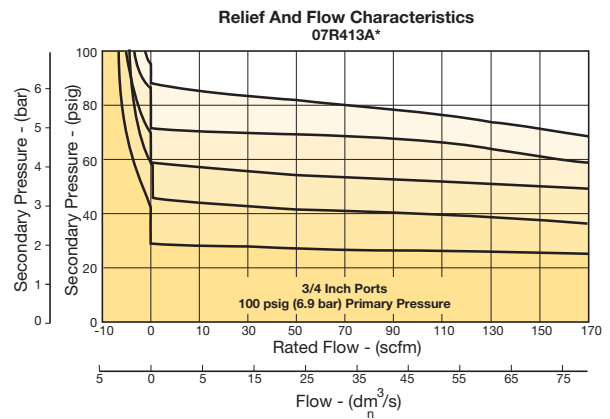
## Air Preparation Products Prep-Air® II Series

### Flow Charts

#### 07R 1/2" Regulator



#### 07R 3/4" Regulator



**⚠ WARNING**

**Product rupture can cause serious injury.  
Do not connect regulator to bottled gas.  
Do not exceed Maximum primary pressure rating.**

**CAUTION:**  
**REGULATOR PRESSURE ADJUSTMENT** – The working range of knob adjustment is designed to permit outlet pressures within their full range. Pressure adjustment beyond this range is also possible because the knob is not a limiting device. This is a common characteristic of most industrial regulators, and limiting devices may be obtained only by special design. For best performance, regulated pressure should always be set by increasing the pressure up to the desired setting.

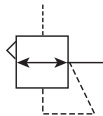


For inventory, lead time, and kit lookup, visit [www.pdnplu.com](http://www.pdnplu.com)



## 11R Pilot Controlled Regulator – Compact

- Balanced poppet provides quick response and accurate pressure regulation
- Pilot controlled regulators can be mounted “out of reach” with pilot regulator installed in a convenient location
- Solid control piston for extended life
- Two full flow 1/4" gauge ports can be used as additional outlets
- Pilot port 1/4 Inch
- 1/4", 3/8", 1/2" ports (NPT, BSPP)



Port size	Description	Part number
1/4"	Without gauge	<b>11R115PC</b>
1/4"	With 160 psi gauge	<b>11R121PC</b>
3/8"	Without gauge	<b>11R215PC</b>
3/8"	With 160 psi gauge	<b>11R221PC</b>
1/2"	Without gauge	<b>11R315PC</b>
1/2"	With 160 psi gauge	<b>11R321PC</b>

NOTE: 2.0 Dia. (51 mm) hole required for panel mounting.

### Operating information

Supply pressure (max):	0 to 250 psig (0 to 17.2 bar)	
Operating temperature:	32°F to 175°F (0°C to 80°C)	
Flow capacity†:		
High flow	1/4"	85 scfm (40 dm <sup>3</sup> /s, ANR)
	3/8"	95 scfm (44.8 dm <sup>3</sup> /s, ANR)
	1/2"	95 scfm (44.8 dm <sup>3</sup> /s, ANR)
Gauge ports (2):	1/4 inch (can be used as additional full flow 1/4 inch outlet ports)	
Weight:	1.3 lb (0.53 kg)	

† scfm = Standard cubic feet per minute at 100 psig inlet, 90 psig no flow secondary setting and 10 psig pressure drop.

### Ordering information:

<b>11R</b>	<b>2</b>	<b>15</b>	<b>P</b>	<b>C</b>	<b>Blank</b>																		
<table border="1"> <thead> <tr> <th colspan="2">Port Threads</th> </tr> </thead> <tbody> <tr> <td>1/4 inch</td> <td>1</td> </tr> <tr> <td>3/8 inch</td> <td>2</td> </tr> <tr> <td>1/2 inch</td> <td>3</td> </tr> </tbody> </table>			Port Threads		1/4 inch	1	3/8 inch	2	1/2 inch	3	<table border="1"> <thead> <tr> <th colspan="2">Port Type</th> </tr> </thead> <tbody> <tr> <td>Blank</td> <td>NPT</td> </tr> <tr> <td>1</td> <td>BSPP</td> </tr> </tbody> </table>			Port Type		Blank	NPT	1	BSPP				
Port Threads																							
1/4 inch	1																						
3/8 inch	2																						
1/2 inch	3																						
Port Type																							
Blank	NPT																						
1	BSPP																						
<table border="1"> <thead> <tr> <th colspan="2">Relief / Gauge Options</th> </tr> </thead> <tbody> <tr> <td>Without gauge</td> <td></td> </tr> <tr> <td>Non-relieving piston</td> <td>14</td> </tr> <tr> <td>Relieving piston</td> <td>15</td> </tr> <tr> <td>With gauge *</td> <td></td> </tr> <tr> <td>Non-relieving piston</td> <td>19</td> </tr> <tr> <td>Relieving piston</td> <td>21</td> </tr> </tbody> </table>			Relief / Gauge Options		Without gauge		Non-relieving piston	14	Relieving piston	15	With gauge *		Non-relieving piston	19	Relieving piston	21	<table border="1"> <thead> <tr> <th colspan="2">Engineering Level</th> </tr> </thead> <tbody> <tr> <td>C</td> <td>Current</td> </tr> </tbody> </table>			Engineering Level		C	Current
Relief / Gauge Options																							
Without gauge																							
Non-relieving piston	14																						
Relieving piston	15																						
With gauge *																							
Non-relieving piston	19																						
Relieving piston	21																						
Engineering Level																							
C	Current																						
			<table border="1"> <thead> <tr> <th colspan="2">Adjustment</th> </tr> </thead> <tbody> <tr> <td>P</td> <td>Pilot operated</td> </tr> </tbody> </table>			Adjustment		P	Pilot operated														
Adjustment																							
P	Pilot operated																						

\* Includes 2" dial face gauge 0 to 300 psig.

Most popular.



For inventory, lead times, and kit lookup, visit [www.pdnplu.com](http://www.pdnplu.com)

E20

**Parker Hannifin Corporation**  
Pneumatic Division  
Richland, Michigan  
[www.parker.com/pneumatics](http://www.parker.com/pneumatics)

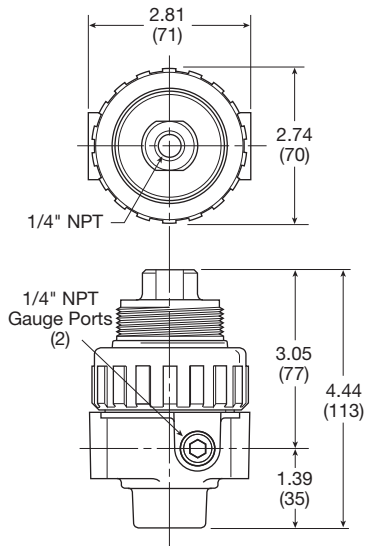
## Compact Pilot Controlled Regulators

### Material Specifications

Body & pilot cap	Zinc
Piston, valve poppet, & collar	Plastic
Seals	Nitrile
Springs	Steel

### Repair and Service Kits

Seat Insert kit	<b>PS713P</b>
2" dial face 60 psig (0 to 4.1 bar), gauge	<b>K4520N14060</b>
2" dial face 160 psig (0 to 11.0 bar), gauge	<b>K4520N14160</b>
2" dial face 300 psig (0 to 20.7 bar), gauge	<b>K4520N14300</b>
1-3/4" digital round face 160 psig (0 to 11.0 bar), gauge	<b>K4517N14160D</b>
Mounting bracket kit (includes panel mount nut)	<b>PS707P</b>
Panel mount nut, plastic	<b>P04082</b>
Panel mount nut, metal	<b>P04079B</b>
Pilot conversion kit – relieving	<b>PS745P</b>
Non-Relieving	<b>PS747P</b>
Relieving	<b>PS749P</b>

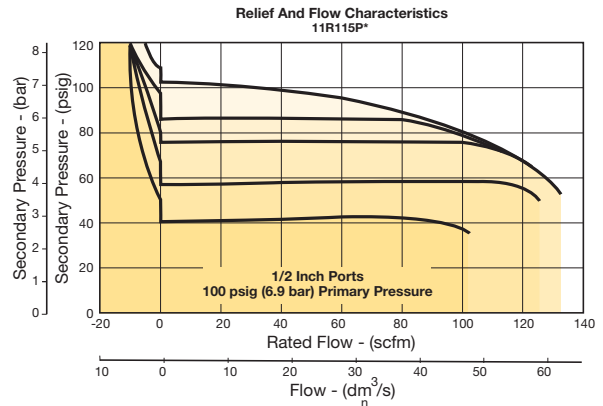


Inches (mm)

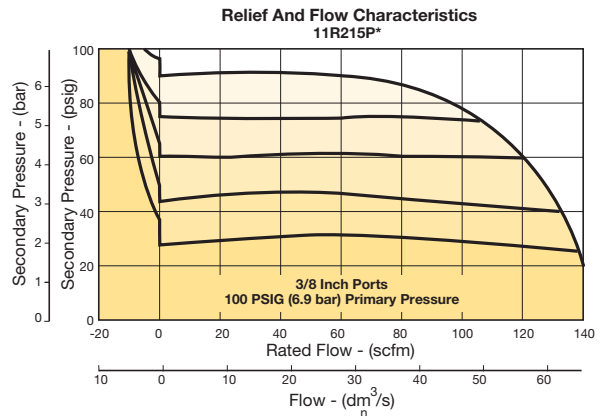
## Air Preparation Products Prep-Air® II Series

### Flow Charts

#### 11R 1/2" Regulator



#### 11R 3/8" Regulator



### WARNING

Product rupture can cause serious injury.  
Do not connect regulator to bottled gas.  
Do not exceed Maximum primary pressure rating.

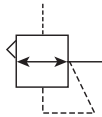


For inventory, lead time, and kit lookup, visit [www.pdnplu.com](http://www.pdnplu.com)



**12R Pilot Controlled Regulator – Standard**

- Balanced poppet provides quick response and accurate pressure regulation
- Pilot controlled regulators can be mounted “out of reach” with pilot regulator installed in a convenient location
- Solid control piston for extended life
- Two full flow 1/4" gauge ports can be used as additional outlets
- Pilot port 1/4 Inch
- 1/2", 3/4" ports (NPT, BSPP)



**Operating information**

Supply pressure (max):	0 to 250 psig (0 to 17.2 bar)	
Operating temperature:	32°F to 175°F (0°C to 80°C)	
Flow capacity†:		
High flow	1/2"	140 scfm (66 dm <sup>3</sup> /s, ANR)
	3/4"	140 scfm (66 dm <sup>3</sup> /s, ANR)
Gauge ports (2):	1/4 inch (can be used as additional full flow 1/4 inch outlet ports)	
Weight:	2.0 lb (0.91 kg)	

† scfm = Standard cubic feet per minute at 100 psig inlet, 90 psig no flow secondary setting and 10 psig pressure drop.

Port size	Description	Part number
1/2"	Without gauge	<b>12R315PB</b>
1/2"	With 160 psi gauge	<b>12R321PB</b>
3/4"	Without gauge	<b>12R415PB</b>
3/4"	With 160 psi gauge	<b>12R421PB</b>

NOTE: 2.0 Dia. (51 mm) hole required for panel mounting.

**Ordering information:**

<b>12R</b>	<b>3</b>	<b>15</b>	<b>P</b>	<b>B</b>	<b> </b>																										
<table border="1"> <thead> <tr><th colspan="2">Port Threads</th></tr> </thead> <tbody> <tr><td>1/2 inch</td><td>3</td></tr> <tr><td>3/4 inch</td><td>4</td></tr> </tbody> </table>		Port Threads		1/2 inch	3	3/4 inch	4	<table border="1"> <thead> <tr><th colspan="2">Relief / Gauge Options</th></tr> </thead> <tbody> <tr><td>Without gauge</td><td></td></tr> <tr><td>Non-relieving piston</td><td>14</td></tr> <tr><td>Relieving piston</td><td>15</td></tr> <tr><td>With gauge *</td><td></td></tr> <tr><td>Non-relieving piston</td><td>19</td></tr> <tr><td>Relieving piston</td><td>21</td></tr> </tbody> </table>		Relief / Gauge Options		Without gauge		Non-relieving piston	14	Relieving piston	15	With gauge *		Non-relieving piston	19	Relieving piston	21	<table border="1"> <thead> <tr><th colspan="2">Port Type</th></tr> </thead> <tbody> <tr><td>Blank</td><td>NPT</td></tr> <tr><td>1</td><td>BSPP</td></tr> </tbody> </table>		Port Type		Blank	NPT	1	BSPP
Port Threads																															
1/2 inch	3																														
3/4 inch	4																														
Relief / Gauge Options																															
Without gauge																															
Non-relieving piston	14																														
Relieving piston	15																														
With gauge *																															
Non-relieving piston	19																														
Relieving piston	21																														
Port Type																															
Blank	NPT																														
1	BSPP																														
			<table border="1"> <thead> <tr><th colspan="2">Engineering Level</th></tr> </thead> <tbody> <tr><td>B</td><td>Current</td></tr> </tbody> </table>		Engineering Level		B	Current																							
Engineering Level																															
B	Current																														
			<table border="1"> <thead> <tr><th colspan="2">Adjustment</th></tr> </thead> <tbody> <tr><td>P</td><td>Pilot operated</td></tr> </tbody> </table>		Adjustment		P	Pilot operated																							
Adjustment																															
P	Pilot operated																														

\* Includes 2" dial face gauge 0 to 300 psig.

Prep-Air® II Products  
 Filters  
 Coalescers  
 Regulators  
 Filter / Regulators  
 Lubricators  
 Combinations  
 Accessories



For inventory, lead times, and kit lookup, visit [www.pdnplu.com](http://www.pdnplu.com)

## Standard Pilot Controlled Regulators

### Material Specifications

Body & pilot cap	Zinc
Piston, valve poppet, & collar	Plastic
Seals	Nitrile
Springs	Steel

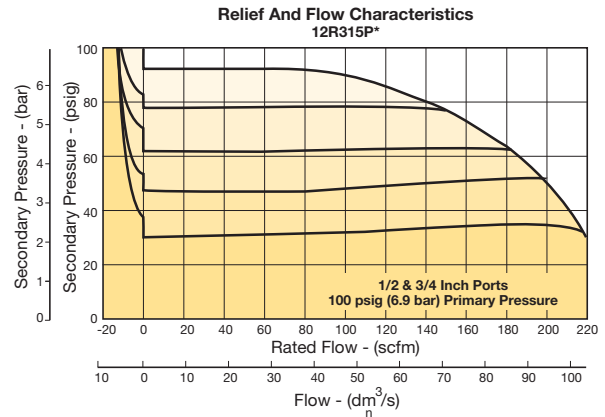
### Repair and Service Kits

Seat insert kit	<b>PS813P</b>
2" dial face 60 psig (0 to 4.1 bar)	<b>K4520N14060</b>
2" dial face 160 psig (0 to 11.0 bar)	<b>K4520N14160</b>
2" dial face 300 psig (0 to 20.7 bar)	<b>K4520N14300</b>
1-3/4" digital round face 160 psig (0 to 11.0 bar)	<b>K4517N14160D</b>
Mounting bracket kit (includes panel mount nut)	<b>PS807P</b>
Panel mount nut, plastic	<b>P04082</b>
Panel mount nut, metal	<b>P04079B</b>
Pilot conversion kit – relieving	<b>PS745P</b>
Non-relieving	<b>PS847P</b>
Relieving	<b>PS849P</b>

## Air Preparation Products Prep-Air® II Series

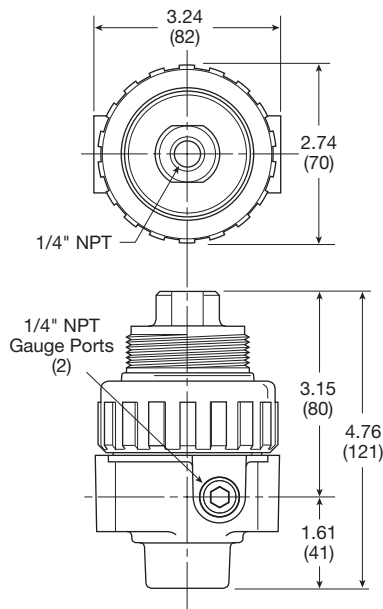
### Flow Charts

#### 12R 1/2 and 3/4" Regulator



### ⚠ WARNING

Product rupture can cause serious injury.  
Do not connect regulator to bottled gas.  
Do not exceed Maximum primary pressure rating.



Inches (mm)

Prep-Air® II  
Products



Filters

Coalescers

Regulators

Filter /  
Regulators

Lubricators

Combinations

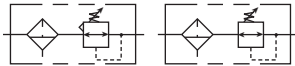
Accessories



For inventory, lead time, and kit lookup, visit [www.pdnplu.com](http://www.pdnplu.com)

**05E Filter / Regulator – Economy**

- Space saving package offers both filter and regulator features for optimal performance
- Excellent water removal efficiency
- Rolling diaphragm for extended life
- Removable non-rising knob for tamper resistance
- Quick response, and accurate pressure regulation regardless of changing flow or inlet pressure
- 40 micron filter element standard
- 1/4", 3/8" ports (NPT)



Port size	Description ‡	Part number
1/4"	Poly bowl, metal guard, twist drain	<b>05E12A13AB</b>
1/4"	Poly bowl, metal guard, auto pulse drain	<b>05E1PA13AB</b>
3/8"	Poly bowl, metal guard, twist drain	<b>05E22A13AB</b>
3/8"	Poly bowl, metal guard, auto pulse drain	<b>05E2PA13AB</b>

‡ For polycarbonate bowl, see caution in Engineering Section A.  
NOTE: 1.53 Dia. (39 mm) hole required for panel mounting.

**Operating information**

Supply pressure (max):	Plastic bowl		0 to 150 psig (0 to 10.3 bar)
Operating temperature:	Plastic bowl		32°F to 125°F (0°C to 52°C)
Flow capacity†:	High flow	1/4"	30 scfm (14.2 dm³/s, ANR)
		3/8"	40 scfm (18.9 dm³/s, ANR)
Bowl capacity:	2 oz.		
Auto pulse drain tube barb	1/8 inch		
Gauge ports (2):	1/4 inch		
Sump capacity:	0.9 oz.		
Weight:	1.35 lb (0.6 kg)		

† scfm = Standard cubic feet per minute at 100 psig inlet, 90 psig no flow secondary setting and 10 psig pressure drop.

**Ordering information:**

Port Size	
1/4 inch	1
3/8 inch	2

Bowl Options	
Poly bowl, metal bowl guard, twist drain	2
Poly bowl, metal bowl guard, auto pulse drain	P

Element	
40 Micron	A

Engineering Level	
B	Current

Relief	
A	Relieving

Pressure Range			
Without gauge		With gauge*	
11	60 psig	16	60 psig
13	125 psig	18	125 psig

\* Includes 1-1/2" dial face gauge.

Most popular.



For inventory, lead times, and kit lookup, visit [www.pdnplu.com](http://www.pdnplu.com)



**Material Specifications**

Adjusting stem	Steel
Body	Zinc
Bonnet, internal parts	Plastic
Transparent bowl	Polycarbonate
Bowl guard	Steel
Collar	Plastic
Diaphragm	Nitrile
Drain	Plastic
40 micron element (standard)	Plastic
5 micron element (optional)	Plastic
Adsorber element (optional)	Activated charcoal
Knob	Plastic
Seals	Nitrile
Sight gauge	Polyamide (nylon)
Springs, poppet & control	Steel

**Repair and Service Kits**

Bowl guard kit	<b>PS905P</b>
Poly bowl, automatic pulse drain	<b>PS995P</b>
Poly bowl, twist drain	<b>PS932P</b>
Auto pulse drain	<b>PS998P</b>
Twist drain	<b>PS512P</b>
40 micron element	<b>PS901P</b>
5 micron element	<b>PS902P</b>
Adsorber element	<b>PS931P</b>
Sight gauge kit	<b>PS914P</b>
1-1/2" dial face 30 psig (0 to 2.1 bar), gauge	<b>K4515N14030</b>
1-1/2" dial face 60 psig (0 to 4.1 bar), gauge	<b>K4515N14060</b>
1-1/2" dial face 160 psig (0 to 11.0 bar), gauge	<b>K4515N14160</b>
1-1/2" dial face 300 psig (0 to 20.7 bar), gauge	<b>K4515N14300</b>
2" dial face 60 psig (0 to 4.1 bar), gauge	<b>K4520N14060</b>
2" dial face 160 psig (0 to 11.0 bar), gauge	<b>K4520N14160</b>
2" dial face 300 psig (0 to 20.7 bar), gauge	<b>K4520N14300</b>
Mounting bracket kit (includes panel mount nut)	<b>PS963P</b>
Panel mount nut – metal	<b>PS964P</b>
1-30 psig spring	<b>P04427</b>
1-60 psig spring	<b>P04426</b>
2-125 psig spring	<b>P04425</b>
2-200 psig spring	<b>P02934</b>
Relieving service kit	<b>PS908P</b>
Bonnet assembly kit	<b>PS915P</b>

**WARNING**

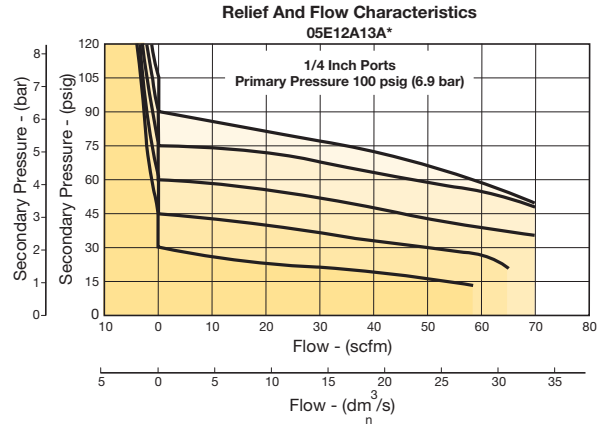
**Product rupture can cause serious injury. Do not connect regulator to bottled gas. Do not exceed Maximum primary pressure rating.**

**CAUTION:**

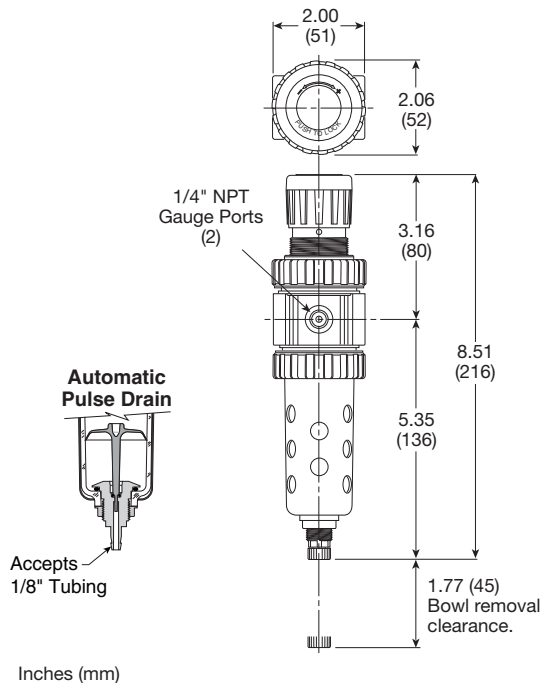
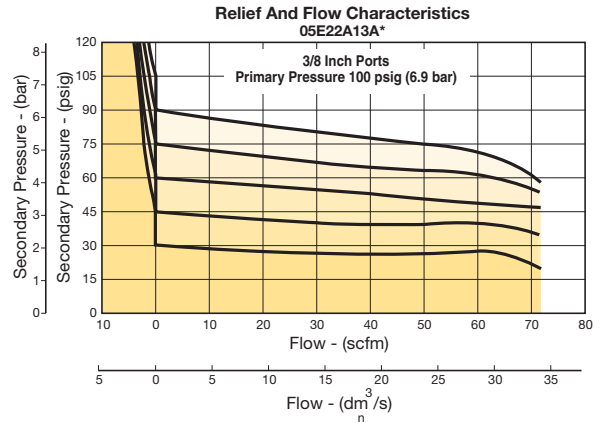
**REGULATOR PRESSURE ADJUSTMENT** – The working range of knob adjustment is designed to permit outlet pressures within their full range. Pressure adjustment beyond this range is also possible because the knob is not a limiting device. This is a common characteristic of most industrial regulators, and limiting devices may be obtained only by special design. For best performance, regulated pressure should always be set by increasing the pressure up to the desired setting.

**Flow Charts**

**05E 1/4" Filter / Regulator**



**05E 3/8" Filter / Regulator**



For inventory, lead time, and kit lookup, visit [www.pdnplu.com](http://www.pdnplu.com)



**06E Filter / Regulator – Compact**

- Space saving package offers both filter and regulator features for optimal performance
- Excellent water removal efficiency
- Rolling diaphragm for extended life
- Quick response, and accurate pressure regulation regardless of changing flow or inlet pressure
- Two high flow 1/4" gauge ports can be used as additional outlets
- Shown with recommended metal bowl guard
- 1/4", 3/8", 1/2" ports (NPT, BSPP)



Port size	Description †	Part number
1/4"	Poly bowl, metal guard, twist drain	<b>06E12A13AC</b>
1/4"	Poly bowl, metal guard, auto float drain	<b>06E16A13AC</b>
1/4"	Metal bowl, sight gauge, twist drain	<b>06E14A13AC</b>
1/4"	Metal bowl, sight gauge, auto float drain	<b>06E18A13AC</b>
3/8"	Poly bowl, metal guard, twist drain	<b>06E22A13AC</b>
3/8"	Poly bowl, metal guard, auto float drain	<b>06E26A13AC</b>
3/8"	Metal bowl, sight gauge, twist drain	<b>06E24A13AC</b>
3/8"	Metal bowl, sight gauge, auto float drain	<b>06E28A13AC</b>
1/2"	Poly bowl, metal guard, twist drain	<b>06E32A13AC</b>
1/2"	Poly bowl, metal guard, auto float drain	<b>06E36A13AC</b>
1/2"	Metal bowl, sight gauge, twist drain	<b>06E34A13AC</b>
1/2"	Metal bowl, sight gauge, auto float drain	<b>06E38A13AC</b>

† For polycarbonate bowl, see caution in Engineering Section A.  
NOTE: 2.0 Dia. (50.8 mm) hole required for panel mounting. Max panel thickness 1/4"

**Operating information**

Supply pressure (max):  
 Plastic bowl 0 to 150 psig (0 to 10.3 bar)  
 Metal bowl 0 to 250 psig (0 to 17.2 bar)  
 Auto float drain 15 to 250 psig (1.0 to 17.2 bar)

Operating temperature:  
 Plastic bowl 32°F to 125°F (0°C to 52°C)  
 Metal bowl 32°F to 175°F (0°C to 80°C)

Secondary pressure range:  
 Standard 2 to 125 psig (0 to 8.6 bar)  
 Low 1 to 60 psig (0 to 4.1 bar)  
 High 5 to 250 psig (0.4 to 17.2 bar)

Flow capacity†:  
 High flow 1/4" 45 scfm (21.7 dm³/s, ANR)  
 3/8" 55 scfm (26 dm³/s, ANR)  
 1/2" 61 scfm (28.8 dm³/s, ANR)

Bowl capacity: 4.4 oz.  
 Gauge ports (2): 1/4 inch (can be used as additional full flow 1/4" outlet ports)

Sump capacity: 1.75 oz.  
 Weight: 1.6 lb (0.7 kg)

† scfm = Standard cubic feet per minute at 100 psig inlet, 90 psig no flow secondary setting and 10 psig pressure drop.

**Ordering information:**

**06E 1 2 A 13 A C**

Port Size	Option
1/4 inch	1
3/8 inch	2
1/2 inch	3

Engineering Level	Option
C	Current

Relief	Option
A	Relieving
L	Non-relieving

Pressure Range	Without gauge	With gauge
11	60 psig	16 60 psig
13	125 psig	18 125 psig
15*	250 psig	21* 250 psig

Preset / Pressure Limited	Option
Blank	None
XXX*	Preset pressure
XXX*	Pressure limited

\* Available preset range, 10 to 90 psig in 5 psig increments. For higher pressures, contact factory. (Example: 065 = 65 psig)

Options	Option
Blank	No options
L †	Preset non-adjustable
p †	Preset adjustable

† Inlet Pressure is 100 psig. For other pressures, contact factory.

Port Type	Option
Blank	NPT
1*	BSPP

\* 1/4 & 3/8 inch meet ISO 1179-1 standard.

Bowl Options	Option
Poly bowl, metal bowl guard, twist drain	2
Poly bowl, metal bowl guard, auto float drain	6
Metal bowl, twist drain	3
Metal bowl, sight gauge, twist drain	4
Metal bowl, auto float drain	7
Metal bowl, sight gauge, auto float drain	8

Element	Option
40 Micron	A
5 Micron	B

Spring Type by Preset / Limited Pressure:  
 For Preset / Limited Pressure 26 to 50 use 60 psi spring  
 For Preset / Limited Pressure 51 to 90 use 125 psi spring

Most popular.

Prep-Air® II Products



Filters

Coalescers

Regulators

Filter / Regulators

Lubricators

Combinations

Accessories



For inventory, lead times, and kit lookup, visit [www.pdnplu.com](http://www.pdnplu.com)

**Material Specifications**

Adjusting stem	Steel
Body	Zinc
Bonnet, internal parts	Plastic
Transparent bowl	Polycarbonate
Metal bowl (with or without sight gauge)	Zinc
Bowl guard	Steel
Collar	Plastic
Diaphragm	Nitrile
Manual twist drain, standard, body & nut	Plastic
Auto float drain, housing, float	Plastic
Auto float drain, seals	Nitrile
Auto float drain, springs, push rod	Stainless steel
Knob	Plastic
40 micron element (standard)	Plastic
5 micron element (optional)	Plastic
Adsorber element (optional)	Activated charcoal
Seals	Nitrile
Sight gauge	Polyamide
Poppet, spring	Stainless
Control, spring	Steel

**Repair and Service Kits**

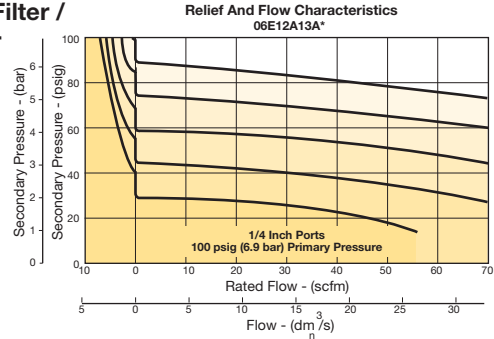
Bonnet assembly kit	<b>PS715P</b>
Bowl guard kit	<b>PS705P</b>
Poly bowl, auto float drain	<b>PS722P</b>
Poly bowl, twist drain	<b>PS732P</b>
Metal bowl, auto float drain	<b>PS726P</b>
Metal bowl, twist drain	<b>PS734P</b>
Metal bowl, sight gauge / auto drain	<b>PS723P</b>
Metal bowl, sight gauge / twist drain	<b>PS735P</b>
Control knob	<b>P04069B</b>
Auto float drain	<b>PS506P</b>
Semi-auto drain	<b>PS511P</b>
Twist drain	<b>PS512P</b>
40 micron element	<b>PS701P</b>
5 micron element	<b>PS702P</b>
Adsorber element	<b>PS731P</b>
2" dial face 60 psig (0 to 4.1 bar), gauge	<b>K4520N14060</b>
2" dial face 160 psig (0 to 11.0 bar), gauge	<b>K4520N14160</b>
2" dial face 300 psig (0 to 20.7 bar), gauge	<b>K4520N14300</b>
1-3/4" digital round face 160 psig (0 to 11.0 bar), gauge	<b>K4517N14160D</b>
Mounting bracket kit (includes panel mount nut)	<b>PS707P</b>
Panel mount nut	<b>P04082</b>
Non-relieving (includes poppet)	<b>PS711P</b>
Relieving (includes poppet)	<b>PS710P</b>
Seat insert kit	<b>PS713P</b>
1- 30 psig spring	<b>P01698</b>
1- 60 psig spring	<b>P04062</b>
2- 125 psig spring	<b>P04063</b>
5- 250 psig spring	<b>P04064</b>
Tamperproof kit (key lock)	<b>PS737P</b>

**WARNING**

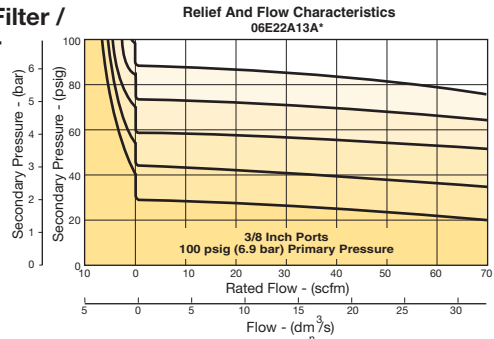
**Product rupture can cause serious injury.  
Do not connect regulator to bottled gas.  
Do not exceed Maximum primary pressure rating.**

**Flow Charts**

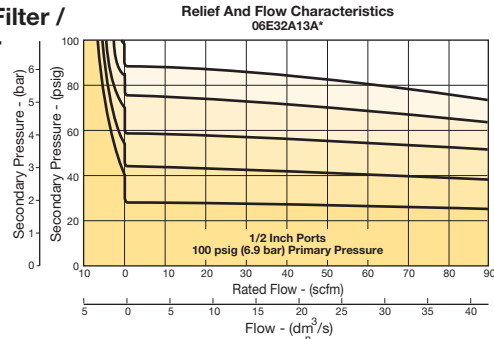
**06E 1/4" Filter / Regulator**



**06E 3/8" Filter / Regulator**

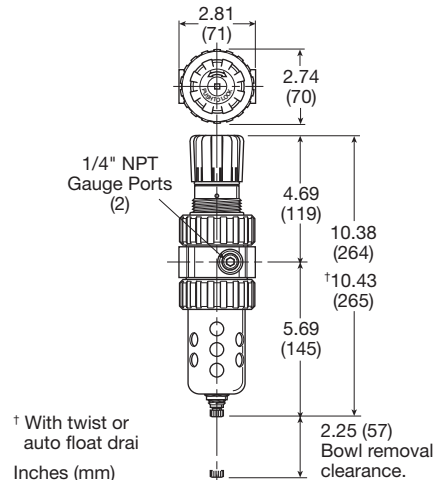


**06E 1/2" Filter / Regulator**



**CAUTION:**

**REGULATOR PRESSURE ADJUSTMENT** – The working range of knob adjustment is designed to permit outlet pressures within their full range. Pressure adjustment beyond this range is also possible because the knob is not a limiting device. This is a common characteristic of most industrial regulators, and limiting devices may be obtained only by special design. For best performance, regulated pressure should always be set by increasing the pressure up to the desired setting.



† With twist or auto float drain  
Inches (mm)

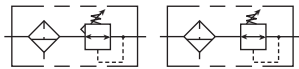


For inventory, lead time, and kit lookup, visit [www.pdnplu.com](http://www.pdnplu.com)



**07E Filter / Regulator – Standard**

- Space saving package offers both filter and regulator features for optimal performance
- Excellent water removal efficiency
- Rolling diaphragm for extended life
- Quick response, and accurate pressure regulation regardless of changing flow or inlet pressure
- Two high flow 1/4" gauge ports can be used as additional outlets
- Shown with recommended metal bowl guard
- 1/2", 3/4" ports (NPT, BSPP)



Port size	Description †	Part number
1/2"	Poly bowl, metal guard, twist drain	<b>07E32A13AC</b>
1/2"	Poly bowl, metal guard, auto float drain	<b>07E36A13AC</b>
1/2"	Metal bowl, sight gauge, twist drain	<b>07E34A13AC</b>
1/2"	Metal bowl, sight gauge, auto float drain	<b>07E38A13AC</b>
3/4"	Poly bowl, metal guard, twist drain	<b>07E42A13AC</b>
3/4"	Poly bowl, metal guard, auto float drain	<b>07E46A13AC</b>
3/4"	Metal bowl, sight gauge, twist drain	<b>07E44A13AC</b>
3/4"	Metal bowl, sight gauge, auto float drain	<b>07E48A13AC</b>

† For polycarbonate bowl, see caution in Engineering Section A.  
NOTE: 2.0 Dia. (50.8 mm) hole required for panel mounting. Max panel thickness 1/4".

**Operating information**

Supply pressure (max):		Plastic bowl	0 to 150 psig (0 to 10.3 bar)
		Metal bowl	0 to 250 psig (0 to 17.2 bar)
		Auto float drain	15 to 250 psig (1.0 to 17.2 bar)
Operating temperature:		Plastic bowl	32°F to 125°F (0°C to 52°C)
		Metal bowl	32°F to 175°F (0°C to 80°C)
Secondary pressure range:		Standard	2 to 125 psig (0 to 8.6 bar)
		Low	1 to 60 psig (0 to 4.1 bar)
		High	5 to 250 psig (0.4 to 17.2 bar)
Flow capacity†:		High flow	1/2" 90 scfm (42.5 dm <sup>3</sup> /s, ANR)
			3/4" 90 scfm (42.5 dm <sup>3</sup> /s, ANR)
Bowl capacity:			7.2 oz.
Gauge ports (2):			1/4 inch (can be used as additional full flow 1/4" outlet ports)
Sump capacity:			2.8 oz.
Weight:			2.5 lb (1.1 kg)

† scfm = Standard cubic feet per minute at 100 psig inlet, 90 psig no flow secondary setting and 10 psig pressure drop.

**Ordering information:**

<b>07E</b>	<b>3</b>	<b>2</b>	<b>A</b>	<b>13</b>	<b>A</b>	<b>C</b>			
<b>Port Size</b>		<b>Engineering Level</b>		<b>Relief</b>		<b>Pressure Range</b>		<b>Preset / Pressure Limited</b>	
1/2 inch	3	C	Current	A	Relieving	Without gauge	With gauge	Blank	None
3/4 inch	4	L	Non-relieving			11 60 psig	16 60 psig	XXX*	Preset pressure
<b>Bowl Options</b>		<b>Element</b>		<b>Options</b>		13 125 psig	18 125 psig	XXX*	Pressure limited
Poly bowl, metal bowl guard, twist drain	2	40 Micron	A	Blank	No options	15* 250 psig	21* 250 psig	* Available preset range, 10 to 90 psig in 5 psig increments. For higher pressures, contact factory. (Example: 065 = 65 psig)	
Poly bowl, metal bowl guard, auto float drain	6	5 Micron	B	L †	Preset non-adjustable				
Metal bowl, twist drain	3			P †	Preset adjustable				
Metal bowl, sight gauge, twist drain	4					<b>Port Type</b>			
Metal bowl, auto float drain	7					Blank	NPT		
Metal bowl, sight gauge, auto float drain	8					1*	BSPP		

Spring Type by Preset / Limited Pressure:  
For Preset / Limited Pressure 26 to 50 use 60 psi spring  
For Preset / Limited Pressure 51 to 90 use 125 psi spring

† Inlet Pressure is 100 psig. For other pressures, contact factory.

\* 1/2 & 3/4 inch meet ISO 1179-1 standard.

Most popular.

Prep-Air® II  
Products



Filters

Coalescers

Regulators

Filter /  
Regulators

Lubricators

Combinations

Accessories



For inventory, lead times, and kit lookup, visit [www.pdnplu.com](http://www.pdnplu.com)

**Material Specifications**

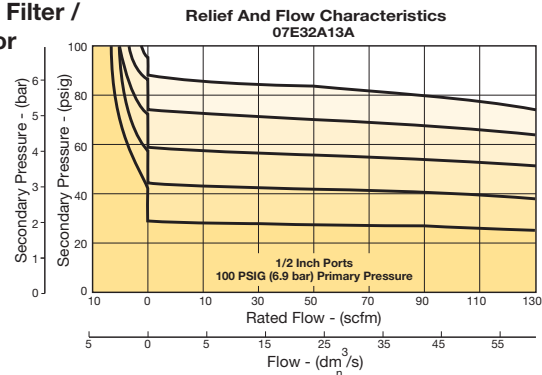
Adjusting stem	Steel
Body	Zinc
Bonnet, internal parts	Plastic
Transparent bowl	Polycarbonate
Metal bowl (with or without sight gauge)	Zinc
Bowl guard	Steel
Collar	Plastic or metal
Diaphragm	Nitrile
Manual twist drain, standard, body & nut	Plastic
Auto float drain, housing, float	Plastic
Auto float drain, seals	Nitrile
Auto float drain, springs, push rod	Stainless steel
Knob	Plastic
40 micron element (standard)	Plastic
5 micron element (optional)	Plastic
Adsorber element (optional)	Activated charcoal
Seals	Nitrile
Sight gauge	Polyamide
Poppet, spring	Stainless
Control, spring	Steel

**Repair and Service Kits**

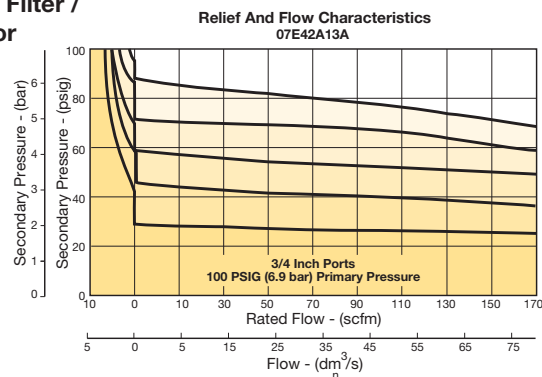
Bonnet assembly kit	<b>PS715P</b>
Bowl guard kit	<b>PS805P</b>
Poly bowl, auto float drain	<b>PS822P</b>
Poly bowl, twist drain	<b>PS832P</b>
Metal bowl, automatic float drain	<b>PS826P</b>
Metal bowl, twist drain	<b>PS834P</b>
Metal bowl, sight gauge / auto drain	<b>PS823P</b>
Metal bowl, sight gauge / twist drain	<b>PS835P</b>
Control knob	<b>P04069B</b>
Auto float drain	<b>PS506P</b>
Twist drain	<b>PS512P</b>
40 micron element	<b>PS801P</b>
5 micron element	<b>PS802P</b>
Adsorber element	<b>PS831P</b>
2" dial face 60 psig (0 to 4.1 bar), gauge	<b>K4520N14060</b>
2" dial face 160 psig (0 to 11.0 bar), gauge	<b>K4520N14160</b>
2" dial face 300 psig (0 to 20.7 bar), gauge	<b>K4520N14300</b>
1-3/4" Digital Round Face 160 psig (0 to 11.0 bar)	<b>K4517N14160D</b>
Mounting bracket kit (includes panel mount nut)	<b>PS807P</b>
Panel mount nut	<b>P04082</b>
Non-relieving (includes poppet)	<b>PS811P</b>
Relieving (includes poppet)	<b>PS810P</b>
Seat insert kit	<b>PS813P</b>
1- 30 psig spring	<b>P01698</b>
1- 60 psig spring	<b>P04062</b>
2- 125 psig spring	<b>P04063</b>
5- 250 psig spring	<b>P04064</b>
Tamperproof kit (key lock)	<b>PS737P</b>

**Flow Charts**

**07E 1/2" Filter / Regulator**



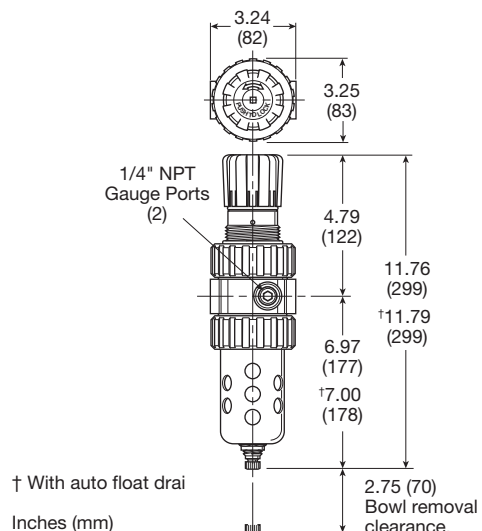
**07E 3/4" Filter / Regulator**



**WARNING**  
 Product rupture can cause serious injury.  
 Do not connect regulator to bottled gas.  
 Do not exceed Maximum primary pressure rating.

**CAUTION:**

**REGULATOR PRESSURE ADJUSTMENT** – The working range of knob adjustment is designed to permit outlet pressures within their full range. Pressure adjustment beyond this range is also possible because the knob is not a limiting device. This is a common characteristic of most industrial regulators, and limiting devices may be obtained only by special design. For best performance, regulated pressure should always be set by increasing the pressure up to the desired setting.

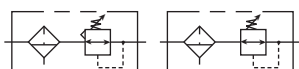


For inventory, lead time, and kit lookup, visit [www.pdnplu.com](http://www.pdnplu.com)

Prep-Air® II Products  
 Filters  
 Coalescers  
 Regulators  
 Filter / Regulators  
 Lubricators  
 Combinations  
 Accessories

**12E Filter / Regulator – Coalescing**

- Space saving package offers both coalescer and regulator features for optimal performance
- Removes liquid, aerosol and sub-micron particles
- Rolling diaphragm for extended life
- Removable non-rising knob for panel mounting and tamper resistance
- Quick response, and accurate pressure regulation regardless of changing flow or inlet pressure
- Two high flow 1/4" gauge ports can be used as additional outlets
- 1/2", 3/4" ports (NPT, BSPP)



Port size	Description †	Part number
1/2"	Metal bowl, twist drain	<b>12E33E13AA</b>
1/2"	Metal bowl, auto float drain	<b>12E37E13AA</b>
3/4"	Metal bowl, twist drain	<b>12E43E13AA</b>
3/4"	Metal bowl, auto float drain	<b>12E47E13AA</b>

† For polycarbonate bowl, see caution in Engineering Section A.  
NOTE: 2.0 Dia. (50.8 mm) hole required for panel mounting. Max panel thickness 1/4"

**Operating information**

Supply pressure (max): Metal bowl	0 to 250 psig (0 to 17.2 bar)
Operating temperature: Metal bowl	32°F to 175°F (0°C to 80°C)
Secondary pressure range:	
Standard	2 to 125 psig (0 to 8.6 bar)
Low	1 to 60 psig (0 to 4.1 bar)
High	5 to 250 psig (0.4 to 17.2 bar)
Flow capacity†:	
High flow 1/2"	40 scfm (18.9 dm <sup>3</sup> /s, ANR)
3/4"	45 scfm (21.2 dm <sup>3</sup> /s, ANR)
Bowl capacity:	7.2 oz.
Gauge ports (2):	1/4 inch (can be used as additional full flow 1/4" outlet ports)
Sump capacity:	2.8 oz.
Weight:	2.5 lb (1.1 kg)

† scfm = Standard cubic feet per minute at 150 psig inlet, 90 psig no flow secondary setting and 10 psig pressure drop.

**Ordering information:**

<b>12E</b>	<b>3</b>	<b>2</b>	<b>E</b>	<b>13</b>	<b>A</b>	<b>A</b>			
<b>Port Size</b>						<b>Engineering Level</b>			<b>Preset / Pressure Limited</b>
1/2 inch	3					A Current			Blank None
3/4 inch	4								XXX* Preset pressure
									XXX* Pressure limited
						<b>Relief</b>			* Available preset range, 10 to 90 psig in 5 psig increments. For higher pressures, contact factory. (Example: 065 = 65 psig)
						A Relieving			
						L Non-relieving			
									<b>Options</b>
									Blank No options
									L † Preset non-adjustable
									p † Preset adjustable
									† Inlet Pressure is 100 psig. For other pressures, contact factory.
									<b>Port Type</b>
									Blank NPT
									1* BSPP
									* 1/2 inch meet ISO 1179-1 standard.

Spring Type by Preset / Limited Pressure:  
 For Preset / Limited Pressure 10 to 25 use 30 psi spring  
 For Preset / Limited Pressure 26 to 50 use 60 psi spring  
 For Preset / Limited Pressure 51 to 90 use 125 psi spring

\* If 250 psig spring range is used, use metal bowl.

□ Most popular.

Prep-Air® II  
Products



Filters

Coalescers

Regulators

Filter /  
Regulators

Lubricators

Combinations

Accessories



For inventory, lead times, and kit lookup, visit [www.pdnplu.com](http://www.pdnplu.com)

E30

## Coalescing Filter / Regulators

### Material Specifications

Adjusting stem	Steel
Body	Zinc
Bonnet, internal parts	Plastic
Metal bowl (without sight gauge)	Zinc
Collar for bonnet	Metal
Control spring	Steel
Diaphragm	Nitrile
Manual twist drain, standard, body & nut	Plastic
Auto float drain, housing, float	Plastic
Auto float drain, seals	Nitrile
Auto float drain, springs, push rod	Stainless steel
Knob	Plastic
Element	Borosilicate & felt glass fibers
Seals	Nitrile
Sight gauge	Polyamide
Poppet, spring	Stainless

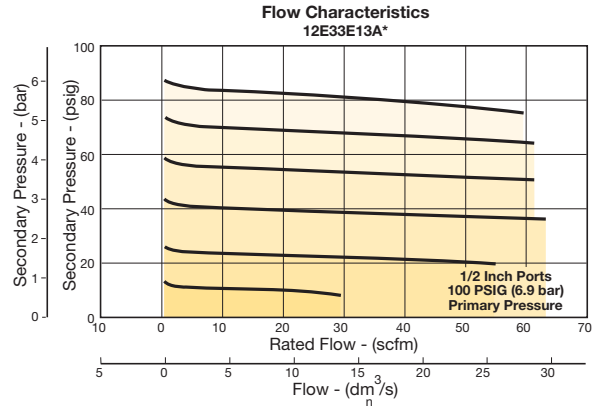
### Repair and Service Kits

Bonnet assembly kit	PS715P
Metal bowl, auto float drain	PS826P
Metal bowl, twist drain	PS834P
Control knob	P04069B
Auto float drain	PS506P
Twist drain	PS512P
Grade 6 element (0.01 micron)	PS884P
Grade 10 element (1.0 micron)	PS885P
2" dial face 60 psig (0 to 4.1 bar), gauge	K4520N14060
2" dial face 160 psig (0 to 11.0 bar), gauge	K4520N14160
2" dial face 300 psig (0 to 20.7 bar), gauge	K4520N14300
1-3/4" digital round face 160 psig (0 to 11.0 bar), gauge	K4517N14160D
Mounting bracket kit (includes panel mount nut)	PS807P
Relieving (includes poppet)	PS886P
1- 30 psig spring	P01698
1- 60 psig spring	P04062
2- 125 psig spring	P04063
5- 250 psig spring	P04064
Tamperproof kit (key lock)	PS737P

## Air Preparation Products Prep-Air® II Series

### Flow Charts

#### 12E 1/2" Filter / Regulator

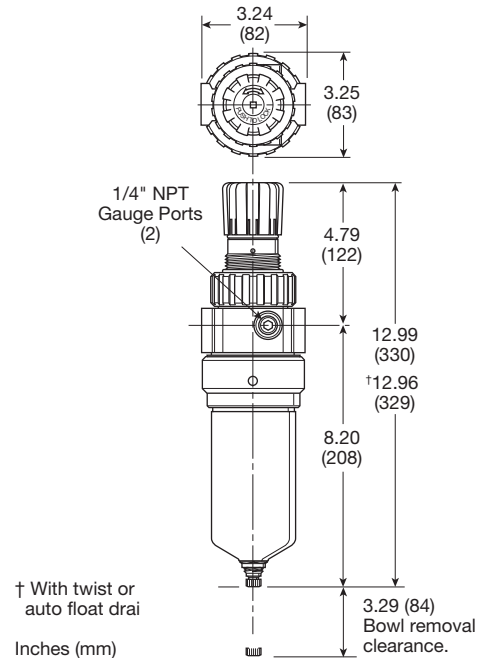


**⚠ WARNING**

**Product rupture can cause serious injury.  
Do not connect regulator to bottled gas.  
Do not exceed Maximum primary pressure rating.**

#### CAUTION:

**REGULATOR PRESSURE ADJUSTMENT** – The working range of knob adjustment is designed to permit outlet pressures within their full range. Pressure adjustment beyond this range is also possible because the knob is not a limiting device. This is a common characteristic of most industrial regulators, and limiting devices may be obtained only by special design. For best performance, regulated pressure should always be set by increasing the pressure up to the desired setting.



Prep-Air® II Products
Filters
Coalescers
Regulators
Filter / Regulators
Lubricators
Combinations
Accessories



For inventory, lead time, and kit lookup, visit [www.pdnplu.com](http://www.pdnplu.com)

**15L Micro-Mist Lubricators – Economy**

- Proportional oil delivery over a wide range of air flows
- Generates oil particles of 5 micron or smaller downstream to lubricate systems having complex piping arrangements
- Precision needle valve assures repeatable oil delivery and provides simple adjustment of delivery rate
- Ideal for low and high flow applications with changing air flow
- Transparent sight dome for 360° visibility
- Removable drip control knob for tamper resistance
- Integral 1/4" & 3/8" (NPT)



**Operating information**

Supply pressure (max):	Plastic bowl		150 psig (10.3 bar)
Operating temperature:	Plastic bowl		32°F to 125°F (0°C to 52°C)
Flow capacity†:	High flow	1/4"	40 scfm (18.9 dm³/s, ANR)
		3/8"	40 scfm (18.9 dm³/s, ANR)
Minimum flow	2 scfm (0.9 dm³/s, ANR) at 100 psig (6.9 bar)		
Bowl capacity:	2.0 oz.		
Weight	1.0 lb (0.45 kg)		

† scfm = Standard cubic feet per minute at 90 psig inlet and 5 psig pressure drop.

Port size	Description ‡	Part number
1/4"	Poly bowl, metal guard, no drain	<b>15L12NA</b>
3/8"	Poly bowl, metal guard, no drain	<b>15L22NA</b>

‡ For polycarbonate bowl and sight dome, see caution in Engineering Section A.

**Ordering information:**

<b>15L</b>	<b>1</b>	<b>2</b>	<b>N</b>	<b>A</b>														
<table border="1"> <tr><th>Port Size</th><th></th></tr> <tr><td>1/4 inch</td><td>1</td></tr> <tr><td>3/8 inch</td><td>2</td></tr> </table>		Port Size		1/4 inch	1	3/8 inch	2	<table border="1"> <tr><th>Bowl Options</th><th></th></tr> <tr><td>Poly bowl with metal bowl guard, no drain</td><td>2</td></tr> </table>		Bowl Options		Poly bowl with metal bowl guard, no drain	2	<table border="1"> <tr><th>Engineering Level</th><th></th></tr> <tr><td>A</td><td>Current</td></tr> </table>	Engineering Level		A	Current
Port Size																		
1/4 inch	1																	
3/8 inch	2																	
Bowl Options																		
Poly bowl with metal bowl guard, no drain	2																	
Engineering Level																		
A	Current																	
			<table border="1"> <tr><th>Fill Options</th><th></th></tr> <tr><td>B</td><td>With fill plug</td></tr> <tr><td>N</td><td>No fill plug</td></tr> </table>		Fill Options		B	With fill plug	N	No fill plug								
Fill Options																		
B	With fill plug																	
N	No fill plug																	

**Suggested Lubricant** .....F442 Oil

Petroleum based oil of 100 to 200 SUS viscosity at 100°F (38°C) and an aniline point greater than 200°F (93°C)  
(DO NOT USE OILS WITH ADDITIVES, COMPOUNDED OILS CONTAINING SOLVENTS, GRAPHITE, DETERGENTS, OR SYNTHETIC OILS.)

Most popular.



For inventory, lead times, and kit lookup, visit [www.pdnplu.com](http://www.pdnplu.com)

Prep-Air® II Products  
 Filters  
 Coalescers  
 Regulators  
 Filter / Regulators  
 Lubricators  
 Combinations  
 Accessories



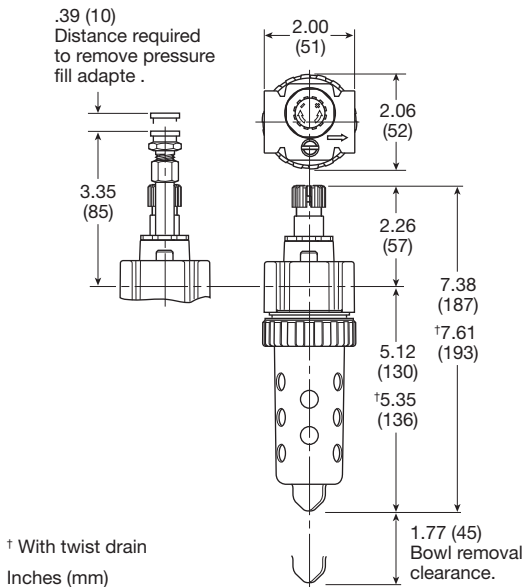
## Economy Micro-Mist Lubricators

### Material Specifications

Body	Zinc
Transparent bowl	Polycarbonate
Bowl guard	Steel
Collar	Plastic
Drains, twist – body & nut	Plastic
Injector meter block & base assembly	Plastic
Seals	Nitrile
Sight dome	Polycarbonate
Sight gauge	Polyamide (nylon)

### Repair and Service Kits

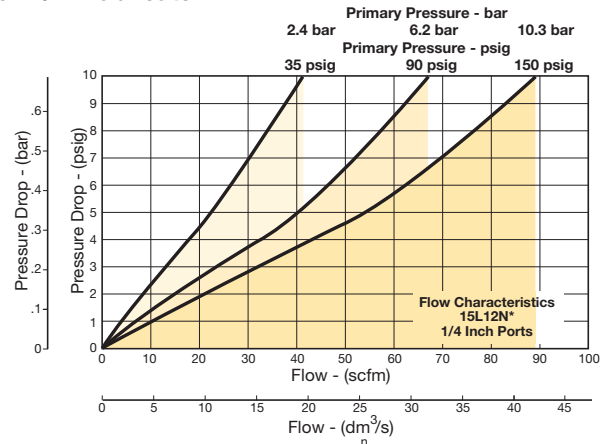
Adjustment knob	<b>P04121</b>
Bowl guard kit	<b>PS905P</b>
Poly bowl, no drain	<b>PS946P</b>
Twist drain	<b>PS512P</b>
Mounting bracket kit	<b>PS943P</b>
Service kit	<b>PS948P</b>
Sight dome kit	<b>PS740P</b>
Sight gauge kit	<b>PS914P</b>
Oil (1 quart)	<b>F442001</b>
Oil (1 gallon)	<b>F442002</b>
Oil (12 quart case)	<b>F442003</b>
Oil (4 gallon case)	<b>F442005</b>



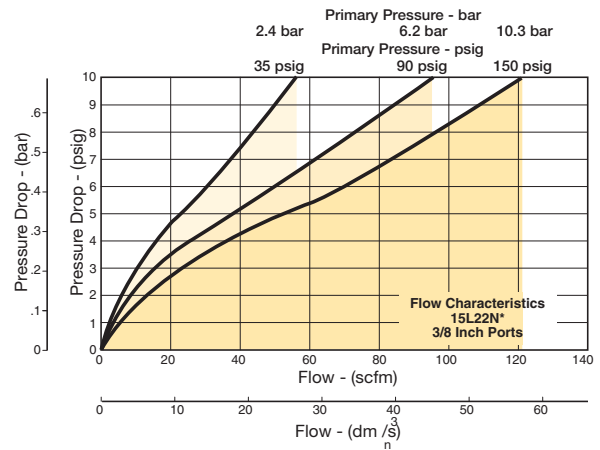
## Air Preparation Products Prep-Air® II Series

### Flow Charts

#### 15L 1/4" Lubricator



#### 15L 3/8" Lubricator



Prep-Air® II  
Products



Filters

Coalescers

Regulators

Filter/  
Regulators

Lubricators

Combinations

Accessories



For inventory, lead time, and kit lookup, visit [www.pdnplu.com](http://www.pdnplu.com)

**16L Micro-Mist Lubricators – Compact**

- Proportional oil delivery over a wide range of air flows
- Generates oil particles of 5 micron or smaller downstream to lubricate systems having complex piping arrangements
- Precision needle valve assures repeatable oil delivery and provides simple adjustment of delivery rate
- Ideal for low and high flow applications with changing air flow
- Transparent sight dome for 360° visibility
- Yellow fill cap identifies micro-mist lubricator
- Integral 1/4", 3/8", 1/2" (NPT, BSPP)



Port size	Description ‡	Part number
1/4"	Poly bowl, metal guard, no drain	<b>16L12BE</b>
1/4"	Metal bowl, sight gauge, twist drain	<b>16L14BE</b>
3/8"	Poly bowl, metal guard, no drain	<b>16L22BE</b>
3/8"	Metal bowl, sight gauge, twist drain	<b>16L24BE</b>
1/2"	Poly bowl, metal guard, no drain	<b>16L32BE</b>
1/2"	Metal bowl, sight gauge, twist drain	<b>16L34BE</b>

‡ For polycarbonate bowl and sight dome, see caution in Engineering Section A.

**Operating information**

Supply pressure (max):		
Plastic bowl		150 psig (10.3 bar)
Metal bowl		250 psig (17.2 bar)
Operating temperature:		
Plastic bowl		32°F to 125°F (0°C to 52°C)
Metal bowl		32°F to 175°F (0°C to 80°C)
Flow capacity†:		
High flow	1/4"	40 scfm (18.9 dm³/s, ANR)
	3/8"	60 scfm (28.3 dm³/s, ANR)
	1/2"	90 scfm (42.5 dm³/s, ANR)
Minimum flow		1 scfm (0.5 dm³/s, ANR) at 100 psig (6.9 bar)
Bowl capacity:		2.6 oz.
Weight:		1.2 lb (0.5 kg)

† scfm = Standard cubic feet per minute at 90 psig inlet and 5 psig pressure drop.

**Ordering information:**

**16L 1 2 B E**

Port Size	Port Type
1/4 inch 1	Blank NPT
3/8 inch 2	1* BSPP
1/2 inch 3	

\* 1/4 & 3/8 inch meet ISO 1179-1 Standard.

Bowl Options	Engineering Level
Poly bowl, metal bowl guard, no drain 2	E Current
Poly bowl, metal bowl guard, pressure fill 6	
Poly bowl, metal bowl guard, auto fill device K	
Poly bowl, metal bowl guard, twist drain N	
Metal bowl, sight gauge, twist drain 4	
Metal bowl, sight gauge, pressure fill 8	
Metal bowl, sight gauge, auto fill device M	

Fill Options
B With fill plug
C With fill plug / nylon sight dome
F With body pressure fill
G With body pressure fill / nylon sight dome

**Suggested Lubricant** ..... **F442 Oil**  
 Petroleum based oil of 100 to 200 SUS viscosity at 100°F (38°C) and an aniline point greater than 200°F (93°C)  
 (DO NOT USE OILS WITH ADDITIVES, COMPOUNDED OILS CONTAINING SOLVENTS, GRAPHITE, DETERGENTS, OR SYNTHETIC OILS.)

Most popular.



For inventory, lead times, and kit lookup, visit [www.pdnplu.com](http://www.pdnplu.com)

Prep-Air® II Products



Filters

Coalescers

Regulators

Filter / Regulators

Lubricators

Combinations

Accessories

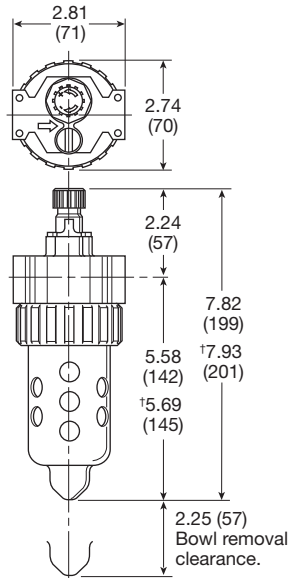
## Compact Micro-Mist Lubricators

### Material Specifications

Body	Zinc
Transparent bowls	Polycarbonate
Metal bowl (with sight gauge)	Zinc
Bowl guard	Steel
Collar	Plastic
Twist drain – body & nut	Plastic
Injector meter block & base assembly	Plastic
Seals	Nitrile
Sight dome	Polycarbonate
Sight gauge	Polyamide (nylon)

### Repair and Service Kits

Adjustment knob	<b>P04121</b>
Bowl guard kit	<b>PS705P</b>
Poly bowl / no drain kit	<b>PS746P</b>
Poly bowl / twist drain kit	<b>PS717P</b>
Poly bowl / pressure fill kit	<b>PS719P</b>
Poly bowl / remote fill kit	<b>PS728P</b>
Metal bowl / sight gauge / twist drain kit	<b>PS729P</b>
Metal bowl / sight gauge / pressure fill kit	<b>PS720P</b>
Twist drain kit	<b>PS512P</b>
Fill cap kit	<b>PS742P</b>
Lubricator service kit	<b>PS748P</b>
Mounting bracket kit	<b>PS743P</b>
Pressure fill adapter kit	<b>PS716P</b>
Pressure fill button	<b>P11912</b>
Remote auto-fill device	<b>PS505CP</b>
Sight dome / fill cap kit	<b>PS739P</b>
Sight dome kit, polycarbonate	<b>PS740P</b>
Sight dome kit, nylon	<b>PS740N</b>
Oil (1 quart)	<b>F442001</b>
Oil (1 gallon)	<b>F442002</b>
Oil (12 quart case)	<b>F442003</b>
Oil (4 gallon case)	<b>F442005</b>

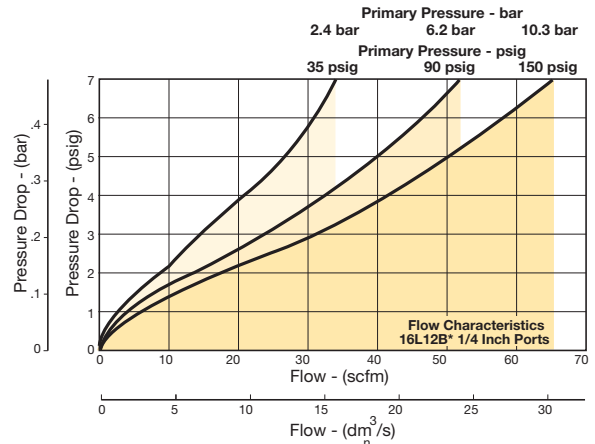


† With twist drain  
Inches (mm)

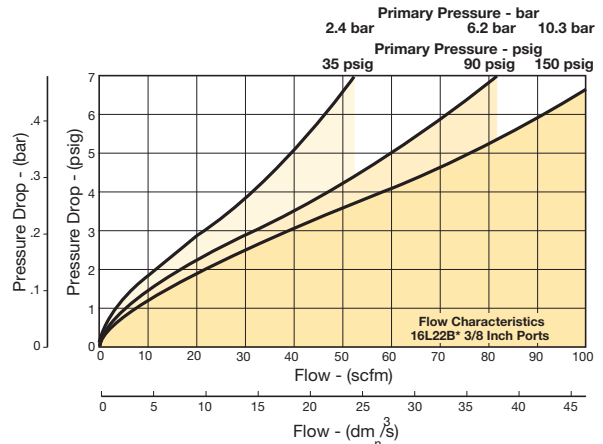
## Air Preparation Products Prep-Air® II Series

### Flow Charts

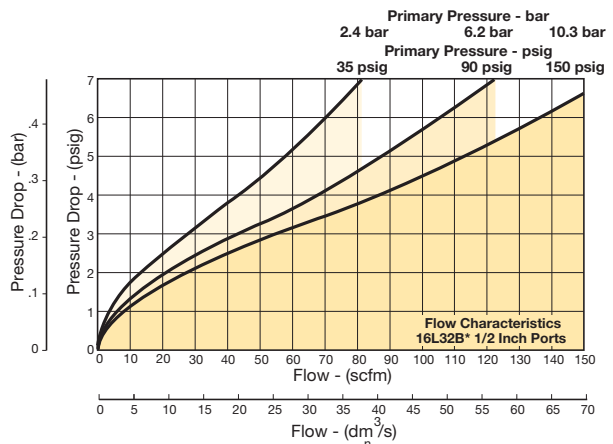
#### 16L 1/4" Lubricator



#### 16L 3/8" Lubricator



#### 16L 1/2" Lubricator



Prep-Air® II  
Products



Filters

Coalescers

Regulators

Filter/  
Regulators

Lubricators

Combinations

Accessories



For inventory, lead time, and kit lookup, visit [www.pdnplu.com](http://www.pdnplu.com)

**17L Micro-Mist Lubricators – Standard**

- Proportional oil delivery over a wide range of air flows
- Generates oil particles of 5 micron or smaller downstream to lubricate systems having complex piping arrangements
- Precision needle valve assures repeatable oil delivery and provides simple adjustment of delivery rate
- Ideal for low and high flow applications with changing air flow
- Transparent sight dome for 360° visibility
- Yellow fill cap identifies Micro-Mist Lubricator.
- Integral 1/2", 3/4" ports (NPT, BSPP)



Port size	Description ‡	Part number
1/2"	Poly bowl, metal guard, no drain	<b>17L32BE</b>
1/2"	Metal bowl, sight gauge, twist drain	<b>17L34BE</b>
3/4"	Poly bowl, metal guard, no drain	<b>17L42BE</b>
3/4"	Metal bowl, sight gauge, twist drain	<b>17L44BE</b>

‡ For polycarbonate bowl and sight dome, see caution in Engineering Section A.

**Operating information**

Supply pressure (max):		
Plastic bowl		150 psig (10.3 bar)
Metal bowl		250 psig (17.2 bar)
Operating temperature:		
Plastic bowl		32°F to 125°F (0°C to 52°C)
Metal bowl		32°F to 175°F (0°C to 80°C)
Flow capacity†:		
High flow	1/2"	90 scfm (42.5 dm <sup>3</sup> /s, ANR)
	3/4"	90 scfm (42.5 dm <sup>3</sup> /s, ANR)
Minimum flow		1 scfm (0.5 dm <sup>3</sup> /s, ANR) at 100 psig (6.9 bar)
Bowl capacity:		4.9 oz.
Weight:		1.9 lb (0.9 kg)

† scfm = Standard cubic feet per minute at 90 psig inlet and 5 psig pressure drop.

**Ordering information:**

<b>17L</b>	<b>3</b>	<b>2</b>	<b>B</b>	<b>E</b>	
<b>Port Size</b>					<b>Port Type</b>
1/2 inch	3				Blank NPT
3/4 inch	4				1* BSPP
					* 1/2 inch meet ISO 1179-1 Standard.
<b>Bowl Options</b>				<b>Engineering Level</b>	
Poly bowl, metal bowl guard, no drain	2			E	Current
Poly bowl, metal bowl guard, pressure fill	6				
Poly bowl, metal bowl guard, auto fill device	K				
Poly bowl, metal bowl guard, twist drain	N				
Metal bowl, sight gauge, twist drain	4				
Metal bowl, sight gauge, pressure fill	8				
Metal bowl, sight gauge, auto fill device	M				
					<b>Fill Options</b>
			B		With fill plug
			C		With fill plug / nylon sight dome
			F		With body pressure fill
			G		With body pressure fill / nylon sight dome

**Suggested Lubricant** .....F442 Oil

Petroleum based oil of 100 to 200 SUS viscosity at 100°F (38°C) and an aniline point greater than 200°F (93°C)

(DO NOT USE OILS WITH ADDITIVES, COMPOUNDED OILS CONTAINING SOLVENTS, GRAPHITE, DETERGENTS, OR SYNTHETIC OILS.)

Most popular.



For inventory, lead times, and kit lookup, visit [www.pdnplu.com](http://www.pdnplu.com)

Prep-Air® II Products  
 Filters  
 Coalescers  
 Regulators  
 Filter / Regulators  
 Lubricators  
 Combinations  
 Accessories

## Standard Micro-Mist Lubricators

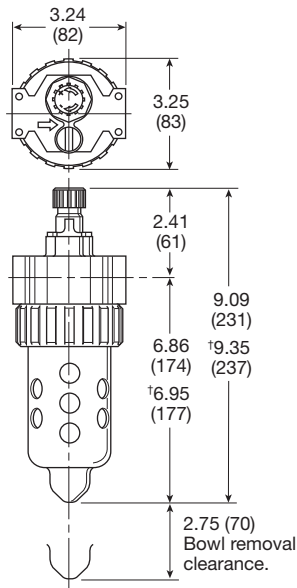
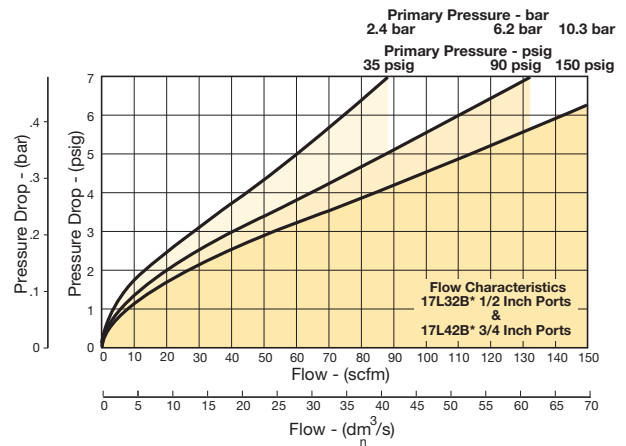
### Material Specifications

Body	Zinc
Transparent bowl	Polycarbonate
Metal bowl (with sight gauge)	Zinc
Bowl guard	Steel
Collar	Plastic or Metal
Twist drain- body & nut	Plastic
Injector meter block & base assembly	Plastic
Seals	Nitrile
Sight dome	Polycarbonate
Sight gauge	Polyamide (nylon)

## Air Preparation Products Prep-Air® II Series

### Flow Charts

#### 17L 1/2" & 3/4" Lubricator



† With twist drain  
Inches (mm)

### Repair and Service Kits

Adjustment knob	<b>P04121</b>
Bowl guard kit	<b>PS805P</b>
Poly bowl / no drain kit	<b>PS846P</b>
Poly bowl / twist drain kit	<b>PS817P</b>
Poly bowl / pressure fill kit	<b>PS819P</b>
Poly bowl / remote fill kit	<b>PS828P</b>
Metal bowl / sight gauge / twist drain kit	<b>PS829P</b>
Metal bowl / sight gauge / pressure fill kit	<b>PS820P</b>
Twist drain kit	<b>PS512P</b>
Fill cap kit	<b>PS742P</b>
Lubricator service kit	<b>PS748P</b>
Mounting bracket kit	<b>PS843P</b>
Pressure fill adapter kit	<b>PS716P</b>
Pressure fill button	<b>P11912</b>
Remote auto-fill device	<b>PS505CP</b>
Sight dome / fill cap kit	<b>PS739P</b>
Sight dome kit, polycarbonate	<b>PS740P</b>
Sight dome kit, nylon	<b>PS740N</b>
Oil (1 quart)	<b>F442001</b>
Oil (1 gallon)	<b>F442002</b>
Oil (12 quart case)	<b>F442003</b>
Oil (4 gallon case)	<b>F442005</b>

Prep-Air® II  
Products



Filters

Coalescers

Regulators

Filter/  
Regulators

Lubricators

Combinations

Accessories



For inventory, lead time, and kit lookup, visit [www.pdnplu.com](http://www.pdnplu.com)

E37

**Parker Hannifin Corporation**  
Pneumatic Division  
Richland, Michigan  
[www.parker.com/pneumatics](http://www.parker.com/pneumatics)

**06L Mist Lubricators – Compact**

- Proportional oil delivery over a wide range of air flows.
- Precision needle valve assures repeatable oil delivery and provides simple adjustment of delivery rate.
- Bowl can be filled while air line is under pressure.
- Transparent sight dome for 360° visibility.
- Integral 1/4", 3/8", 1/2" ports (NPT, BSPP)



Port size	Description †	Part number
1/4"	Poly bowl, metal guard, no drain	<b>06L12BE</b>
1/4"	Metal bowl, sight gauge, twist drain	<b>06L14BE</b>
3/8"	Poly bowl, metal guard, no drain	<b>06L22BE</b>
3/8"	Metal bowl, sight gauge, twist drain	<b>06L24BE</b>
1/2"	Poly bowl, metal guard, no drain	<b>06L32BE</b>
1/2"	Metal bowl, sight gauge, twist drain	<b>06L34BE</b>

† For polycarbonate bowl and sight dome, see caution in Engineering Section A.

**Operating information**

Supply pressure (max):		
Plastic bowl		150 psig (10.3 bar)
Metal bowl		250 psig (17.2 bar)
Operating temperature:		
Plastic bowl		32°F to 125°F (0°C to 52°C)
Metal bowl		32°F to 175°F (0°C to 80°C)
Flow capacity†:		
High flow	1/4"	40 scfm (18.9 dm³/s, ANR)
	3/8"	60 scfm (28.3 dm³/s, ANR)
	1/2"	90 scfm (42.5 dm³/s, ANR)
Minimum flow		0.5 2 scfm (0.24 dm³/s, ANR) at 100 psig (6.9 bar)
Bowl capacity:		2.9 oz.
Weight:		1.2 lb (0.5 kg)

† scfm = Standard cubic feet per minute at 90 psig inlet and 5 psig pressure drop.

**Ordering information:**

<b>06L</b>	<b>1</b>	<b>2</b>	<b>B</b>	<b>E</b>	
<b>Port Size</b>					<b>Port Type</b>
1/4 inch	1				Blank NPT
3/8 inch	2				1* BSPP
1/2 inch	3				* 1/4 & 3/8 inch meet ISO 1179-1 Standard.
<b>Bowl Options</b>				<b>Engineering Level</b>	
Poly bowl, metal bowl guard, no drain	2			E	Current
Poly bowl, metal bowl guard, pressure fill	6				
Poly bowl, metal bowl guard, auto fill device	K				
Poly bowl, metal bowl guard, twist drain	N				
Metal bowl, sight gauge, twist drain	4				
Metal bowl, sight gauge, pressure fill	8				
Metal bowl, sight gauge, auto fill device	M				
			<b>Fill Options</b>		
			B		With fill plug
			C		With fill plug / nylon sight dome
			F		With body pressure fill
			G		With body pressure fill / nylon sight dome

**Suggested Lubricant** .....F442 Oil

Petroleum based oil of 100 to 200 SUS viscosity at 100°F (38°C) and an aniline point greater than 200°F (93°C)

(DO NOT USE OILS WITH ADDITIVES, COMPOUNDED OILS CONTAINING SOLVENTS, GRAPHITE, DETERGENTS, OR SYNTHETIC OILS.)

Most popular.



For inventory, lead times, and kit lookup, visit [www.pdnplu.com](http://www.pdnplu.com)



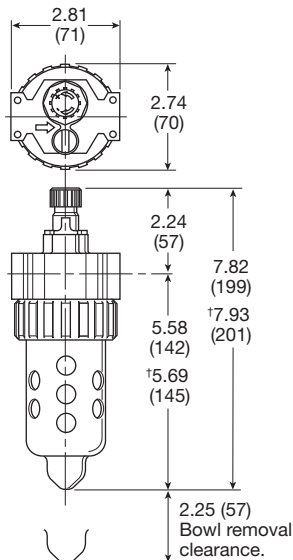
# Compact Mist Lubricators

## Material Specifications

Body	Zinc
Transparent bowl	Polycarbonate
Metal bowl (with sight gauge)	Zinc
Bowl guard	Steel
Collar	Plastic
Twist drain – body & nut	Plastic
Injector meter block & base assembly	Plastic
Seals	Nitrile
Sight dome	Polycarbonate
Sight gauge	Polyamide (nylon)

## Repair and Service Kits

Adjustment knob	<b>P04121</b>
Bowl guard kit	<b>PS705P</b>
Poly bowl / no drain kit	<b>PS746P</b>
Poly bowl / twist drain kit	<b>PS717P</b>
Poly bowl / pressure fill kit	<b>PS719P</b>
Poly bowl / remote fill kit	<b>PS728P</b>
Metal bowl / sight gauge / twist drain kit	<b>PS729P</b>
Metal bowl / sight gauge / pressure fill kit	<b>PS720P</b>
Twist drain kit	<b>PS512P</b>
Fill cap kit	<b>PS741P</b>
Lubricator service kit	<b>PS718P</b>
Mounting bracket kit	<b>PS743P</b>
Pressure fill adapter kit	<b>PS716P</b>
Pressure fill button	<b>P11912</b>
Remote auto-fill device	<b>PS505CP</b>
Sight dome / fill cap kit	<b>PS738P</b>
Sight dome kit, polycarbonate	<b>PS740P</b>
Sight dome kit, nylon	<b>PS740N</b>
Oil (1 quart)	<b>F442001</b>
Oil (1 gallon)	<b>F442002</b>
Oil (12 quart case)	<b>F442003</b>
Oil (4 gallon case)	<b>F442005</b>

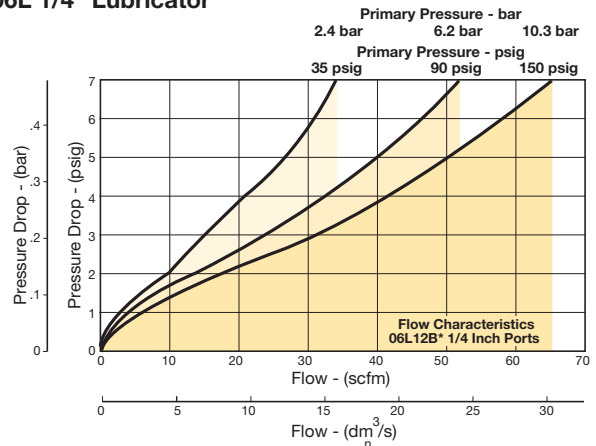


† With twist drain  
Inches (mm)

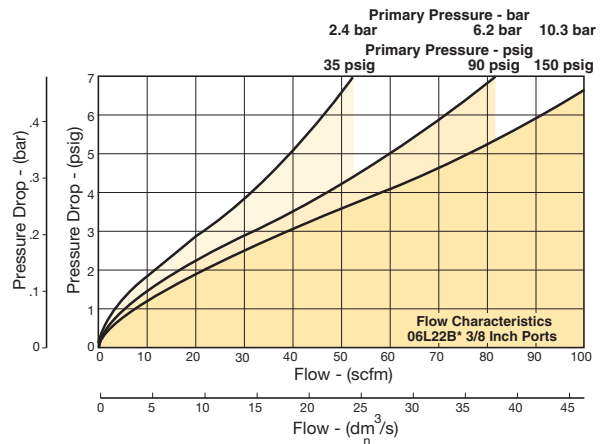
# Air Preparation Products Prep-Air® II Series

## Flow Charts

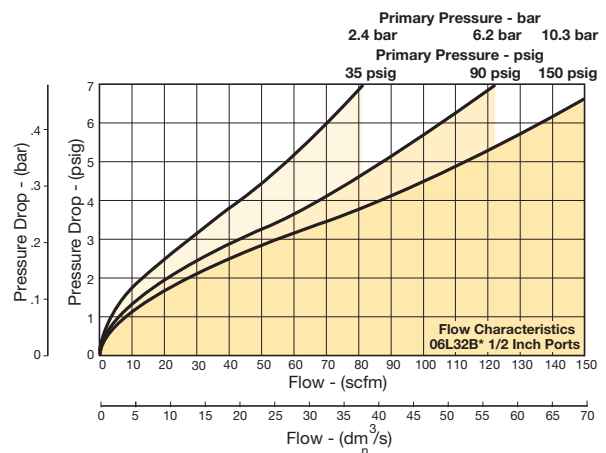
### 06L 1/4" Lubricator



### 06L 3/8" Lubricator



### 06L 1/2" Lubricator



Prep-Air® II  
Products



Filters

Coalescers

Regulators

Filter/  
Regulators

Lubricators

Combinations

Accessories



For inventory, lead time, and kit lookup, visit [www.pdnplu.com](http://www.pdnplu.com)

**07L Mist Lubricators – Standard**

- Proportional oil delivery over a wide range of air flows
- Precision needle valve assures repeatable oil delivery and provides simple adjustment of delivery rate
- Bowl can be filled while air line is under pressure
- Transparent sight dome for 360° visibility
- Integral 1/2", 3/4" ports (NPT, BSPP)



Port size	Description †	Part number
1/2"	Poly bowl, metal guard, no drain	<b>07L32BE</b>
1/2"	Metal bowl, sight gauge, twist drain	<b>07L34BE</b>
3/4"	Poly bowl, metal guard, no drain	<b>07L42BE</b>
3/4"	Metal bowl, sight gauge, twist drain	<b>07L44BE</b>

† For polycarbonate bowl and sight dome, see caution in Engineering Section A.

**Operating information**

Supply pressure (max):		
Plastic bowl		150 psig (10.3 bar)
Metal bowl		250 psig (17.2 bar)
Operating temperature:		
Plastic bowl		32°F to 125°F (0°C to 52°C)
Metal bowl		32°F to 175°F (0°C to 80°C)
Flow capacity†:		
High flow	1/2"	90 scfm (42.5 dm <sup>3</sup> /s, ANR)
	3/4"	90 scfm (42.5 dm <sup>3</sup> /s, ANR)
Minimum flow		0.5 2 scfm (0.24 dm <sup>3</sup> /s, ANR) at 100 psig (6.9 bar)
Bowl capacity:		6.0 oz.
Weight:		1.9 lb (0.9 kg)

† scfm = Standard cubic feet per minute at 90 psig inlet and 5 psig pressure drop.

**Ordering information:**

<b>07L</b>	<b>3</b>	<b>2</b>	<b>B</b>	<b>E</b>	<b>Blank</b>																
<table border="1"> <thead> <tr><th>Port Size</th></tr> </thead> <tbody> <tr><td>1/2 inch</td></tr> <tr><td>3/4 inch</td></tr> </tbody> </table>		Port Size	1/2 inch	3/4 inch	<table border="1"> <thead> <tr><th>Port Type</th></tr> </thead> <tbody> <tr><td>Blank</td></tr> <tr><td>1*</td></tr> </tbody> </table>		Port Type	Blank	1*	<table border="1"> <thead> <tr><th>Port Type</th></tr> </thead> <tbody> <tr><td>NPT</td></tr> <tr><td>BSPP</td></tr> </tbody> </table>		Port Type	NPT	BSPP							
Port Size																					
1/2 inch																					
3/4 inch																					
Port Type																					
Blank																					
1*																					
Port Type																					
NPT																					
BSPP																					
<table border="1"> <thead> <tr><th>Bowl Options</th></tr> </thead> <tbody> <tr><td>Poly bowl, metal bowl guard, no drain</td></tr> <tr><td>Poly bowl, metal bowl guard, pressure fill</td></tr> <tr><td>Poly bowl, metal bowl guard, auto fill device</td></tr> <tr><td>Poly bowl, metal bowl guard, twist drain</td></tr> <tr><td>Metal bowl, sight gauge, twist drain</td></tr> <tr><td>Metal bowl, sight gauge, pressure fill</td></tr> <tr><td>Metal bowl, sight gauge, auto fill device</td></tr> </tbody> </table>		Bowl Options	Poly bowl, metal bowl guard, no drain	Poly bowl, metal bowl guard, pressure fill	Poly bowl, metal bowl guard, auto fill device	Poly bowl, metal bowl guard, twist drain	Metal bowl, sight gauge, twist drain	Metal bowl, sight gauge, pressure fill	Metal bowl, sight gauge, auto fill device	<table border="1"> <thead> <tr><th>Engineering Level</th></tr> </thead> <tbody> <tr><td>E</td></tr> <tr><td>Current</td></tr> </tbody> </table>		Engineering Level	E	Current	<table border="1"> <thead> <tr><th>Fill Options</th></tr> </thead> <tbody> <tr><td>B</td></tr> <tr><td>C</td></tr> <tr><td>F</td></tr> <tr><td>G</td></tr> </tbody> </table>		Fill Options	B	C	F	G
Bowl Options																					
Poly bowl, metal bowl guard, no drain																					
Poly bowl, metal bowl guard, pressure fill																					
Poly bowl, metal bowl guard, auto fill device																					
Poly bowl, metal bowl guard, twist drain																					
Metal bowl, sight gauge, twist drain																					
Metal bowl, sight gauge, pressure fill																					
Metal bowl, sight gauge, auto fill device																					
Engineering Level																					
E																					
Current																					
Fill Options																					
B																					
C																					
F																					
G																					
				<p>* 1/2 inch meet ISO 1179-1 Standard.</p>																	

**Suggested Lubricant** .....F442 Oil

Petroleum based oil of 100 to 200 SUS viscosity at 100°F (38°C) and an aniline point greater than 200°F (93°C)

(DO NOT USE OILS WITH ADDITIVES, COMPOUNDED OILS CONTAINING SOLVENTS, GRAPHITE, DETERGENTS, OR SYNTHETIC OILS.)

Most popular.



For inventory, lead times, and kit lookup, visit [www.pdnplu.com](http://www.pdnplu.com)

Prep-Air® II Products  
 Filters  
 Coalescers  
 Regulators  
 Filter / Regulators  
 Lubricators  
 Combinations  
 Accessories



## Standard Mist Lubricators

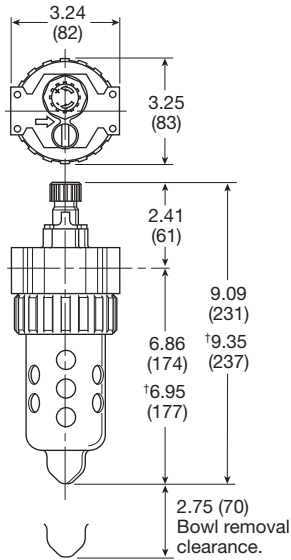
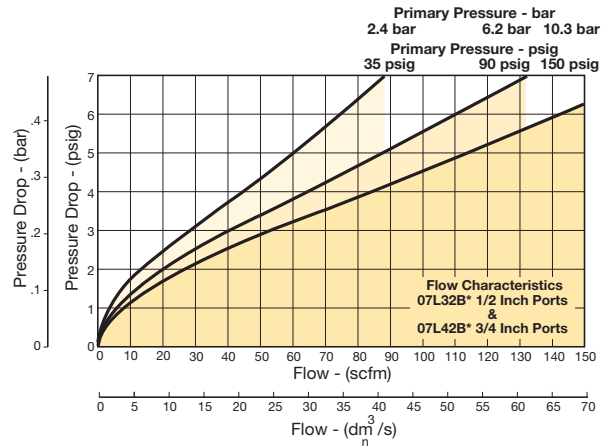
### Material Specifications

Body	Zinc
Transparent bowl	Polycarbonate
Metal bowl (with sight gauge)	Zinc
Bowl guard	Steel
Collar	Plastic or metal
Twist drain – body & nut	Plastic
Injector meter block & base assembly	Plastic
Seals	Nitrile
Sight dome	Polycarbonate
Sight gauge	Polyamide (nylon)

## Air Preparation Products Prep-Air® II Series

### Flow Charts

#### 07L 1/2" & 3/4" Lubricator



† With twist drain  
Inches (mm)

### Repair and Service Kits

Adjustment knob	P04121
Bowl guard kit	PS805P
Poly bowl / no drain	PS846P
Poly bowl / twist drain	PS817P
Poly bowl / pressure fill	PS819P
Poly bowl / remote fill	PS828P
Metal bowl / sight gauge / twist drain	PS829P
Metal bowl / sight gauge / pressure fill	PS820P
Twist drain kit	PS512P
Fill cap kit	PS741P
Lubricator service kit	PS718P
Mounting bracket kit	PS843P
Pressure fill adapter kit	PS716P
Pressure fill button	P11912
Remote auto-fill device	PS505CP
Sight dome / fill cap kit	PS738P
Sight dome kit, polycarbonate	PS740P
Sight dome kit, nylon	PS740N
Oil (1 quart)	F442001
Oil (1 gallon)	F442002
Oil (12 quart case)	F442003
Oil (4 gallon case)	F442005

Prep-Air® II  
Products



Filters

Coalescers

Regulators

Filter /  
Regulators

Lubricators

Combinations

Accessories



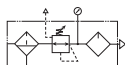
For inventory, lead time, and kit lookup, visit [www.pdnplu.com](http://www.pdnplu.com)

E41

Parker Hannifin Corporation  
Pneumatic Division  
Richland, Michigan  
[www.parker.com/pneumatics](http://www.parker.com/pneumatics)

06 Compact, 07 Standard Close Nipped Series Combinations

- Regulator can be mounted with knob in up or down position
- 40 micron filter element standard, 5 micron optional
- Manual twist drain
- Relieving regulator



Close Nipped Combinations

Port	Bowl type ‡	Element type	Filter drain type	Relief type	Lubricator drain type	Series	Part numbers	Series†	Part numbers
1/4"	Poly / Metal guard	40 micron	Twist	Relieving	None		06G12A13A2BC		16G12A13A2BC
3/8"	Poly / Metal guard	40 micron	Twist	Relieving	None	06G	06G22A13A2BC	16G	16G22A13A2BC
1/2"	Poly / Metal guard	40 micron	Twist	Relieving	None		06G32A13A2BC		16G32A13A2BC
1/2"	Poly / Metal guard	40 micron	Twist	Relieving	None	07G	07G32A13A2BD	17G	17G32A13A2BD
3/4"	Poly / Metal guard	40 micron	Twist	Relieving	None		07G42A13A2BD		17G42A13A2BD

Port	Bowl type ‡	Element type	Filter drain type	Relief type	Lubricator drain type	Series	Model numbers	Series†	Model numbers
1/4"	Poly / Metal guard	40 micron	Twist	Relieving	None		06A12A13A2BC		16A12A13A2BC
3/8"	Poly / Metal guard	40 micron	Twist	Relieving	None	06A	06A22A13A2BC	16A	16A22A13A2BC
1/2"	Poly / Metal guard	40 micron	Twist	Relieving	None		06A32A13A2BC		16A32A13A2BC
1/2"	Poly / Metal guard	40 micron	Twist	Relieving	None	07A	07A32A13A2BD	17A	17A32A13A2BD
3/4"	Poly / Metal guard	40 micron	Twist	Relieving	None		07A42A13A2BD		17A42A13A2BD



06G Shown



06A Shown

\* 06 / 16 Available with port blocks only  
 ‡ For polycarbonate bowl, see caution in Engineering Section A  
 † 16G / 16A and 17G / 17A are Micro Mist version lubricators

**WARNING**

Product rupture can cause serious injury.  
 Do not connect regulator to bottled gas.  
 Do not exceed Maximum primary pressure rating.

**CAUTION:**

**REGULATOR PRESSURE ADJUSTMENT** – The working range of knob adjustment is designed to permit outlet pressures within their full range. Pressure adjustment beyond this range is also possible because the knob is not a limiting device. This is a common characteristic of most industrial regulators, and limiting devices may be obtained only by special design. For best performance, regulated pressure should always be set by increasing the pressure up to the desired setting.

Most popular.



For inventory, lead times, and kit lookup, visit [www.pdnplu.com](http://www.pdnplu.com)

Prep-Air® II Products  
  
 Filters  
 Coalescers  
 Regulators  
 Filter / Regulators  
 Lubricators  
 Combinations  
 Accessories

Ordering information:

<b>Series</b>		<b>16A</b>	<b>1</b>	<b>2</b>	<b>A</b>	<b>13</b>	<b>A</b>	<b>2</b>	<b>B</b>	<b>C</b>
<b>Micro-mist compact, 3-unit</b>		16A								<b>Engineering Level</b>
<b>Micro-mist standard, 3-unit</b>		17A								
<b>Micro-mist compact, 2-unit</b>		16G								D 07A, 17A, 07G, 17G current
<b>Micro-mist standard, 2-unit</b>		17G								
<b>Mist compact, 3-unit</b>		06A								
<b>Mist standard, 3-unit</b>		07A								
<b>Mist compact, 2-unit</b>		06G								
<b>Mist standard, 2-unit</b>		07G								

<b>Port Size</b>		<b>1</b>
1/4 inch		1
3/8 inch (06/16)		2
1/2 inch		3
3/4 inch (07/17)		4

<b>Filter Bowl Options</b>		<b>2</b>
Poly bowl, metal bowl guard, twist drain		2
Poly bowl, metal bowl guard, auto float drain		6
Metal bowl, twist drain		3
Metal bowl, sight gauge, twist drain		4
Metal bowl, auto float drain		7
Metal bowl, sight gauge, auto float drain		8

<b>Filter Element</b>		<b>A</b>
40 Micron		A
5 Micron		B

<b>Relief</b>		<b>A</b>
Relieving		A
Non-relieving		L

<b>Pressure Range</b>			
Without gauge		With gauge	
11	60 psig	16	60 psig
13	125 psig	18	125 psig
15*	250 psig	21*	250 psig

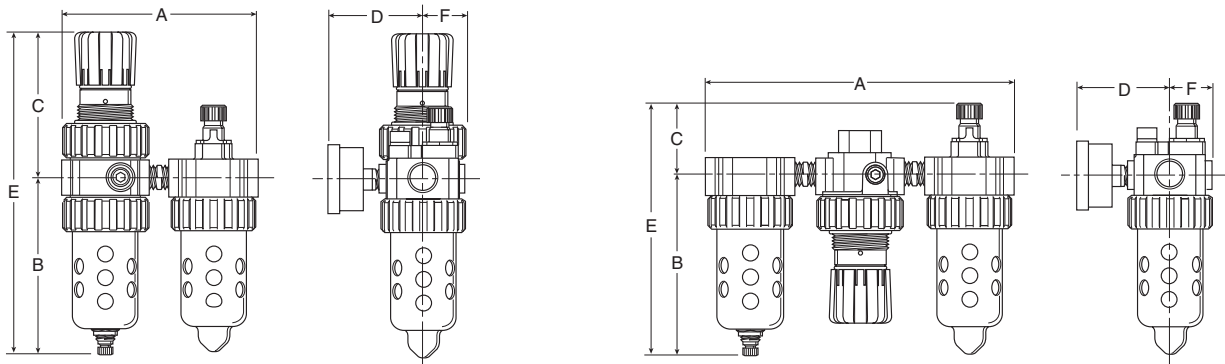
\* Only available on metal bowl.

<b>Lubricator Body Options</b>		<b>B</b>
With fill plug		B
With body pressure fill		F

<b>Lubricator Bowl Options</b>		<b>2</b>
Poly bowl, metal bowl guard, no drain		2
Poly bowl, bowl guard, pressure fill		6
Poly bowl, metal bowl guard, auto fill		K
Poly bowl, metal bowl guard, twist drain		N
Metal bowl, sight gauge, twist drain		4
Metal bowl, sight gauge, pressure fill		8
Metal bowl, sight gauge, auto fill		M



06G, 16G Series

<b>A</b>	<b>B</b>	<b>C</b>	<b>D</b>	<b>E</b>	<b>F</b>
6.13 (156)	5.69 (145)	4.69 (119)	3.18 (81)	10.38 (264)	1.37 (35)

07G, 17G Series

<b>A</b>	<b>B</b>	<b>C</b>	<b>D</b>	<b>E</b>	<b>F</b>
6.99 (178)	6.97 (177)	4.79 (122)	3.44 (87)	11.76 (299)	1.63 (41)

Inches (mm)

• All dimensions nominal.

06A, 16A Series

<b>A</b>	<b>B</b>	<b>C</b>	<b>D</b>	<b>E</b>	<b>F</b>
9.45 (240)	5.69 (145)	2.24 (57)	3.18 (81)	7.93 (201)	1.37 (35)

07A, 17A Series

<b>A</b>	<b>B</b>	<b>C</b>	<b>D</b>	<b>E</b>	<b>F</b>
10.74 (2738)	6.97 (177)	2.41 (61)	3.44 (87)	9.38 (238)	1.63 (41)

Inches (mm)

• All dimensions nominal.

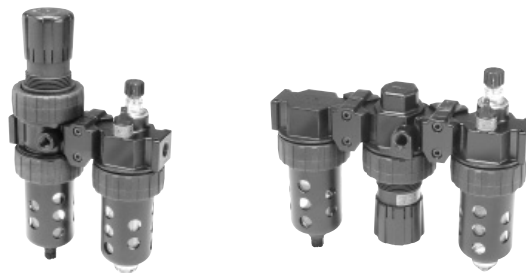


For inventory, lead time, and kit lookup, visit [www.pdnplu.com](http://www.pdnplu.com)

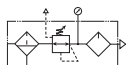


## 06 Compact, 07 Standard Modular Series Combinations

- Regulator can be mounted with knob in up or down position
- 40 micron filter element standard, 5 micron optional
- Manual twist drain
- Relieving regulator



### Modular Combinations



Port	Bowl type ‡	Element type	Filter drain type	Relief type	Lubricator drain type	Series	Part numbers	Series †	Part numbers
1/4"	Poly / metal guard	40 micron	Twist	Relieving	None	06H	<b>06H12A13A2BC</b>	16H	<b>16H12A13A2BC</b>
3/8"	Poly / metal guard	40 micron	Twist	Relieving	None		<b>06H22A13A2BC</b>		<b>16H22A13A2BC</b>
1/2" *	Poly / metal guard	40 micron	Twist	Relieving	None		<b>06H32A13A2BCG</b>		<b>16H32A13A2BCG</b>
1/2"	Poly / metal guard	40 micron	Twist	Relieving	None	07H	<b>07H32A13A2BD</b>	17H	<b>17H32A13A2BD</b>
3/4"	Poly / metal guard	40 micron	Twist	Relieving	None		<b>07H42A13A2BD</b>		<b>17H42A13A2BD</b>



06H Shown

Port	Bowl type ‡	Element type	Filter drain type	Relief type	Lubricator drain type	Series	Model numbers	Series †	Model numbers
1/4"	Poly / metal guard	40 micron	Twist	Relieving	None	06B	<b>06B12A13A2BC</b>	16B	<b>16B12A13A2BC</b>
3/8"	Poly / metal guard	40 micron	Twist	Relieving	None		<b>06B22A13A2BC</b>		<b>16B22A13A2BC</b>
1/2" *	Poly / metal guard	40 micron	Twist	Relieving	None		<b>06B32A13A2BCG</b>		<b>16B32A13A2BCG</b>
1/2"	Poly / metal guard	40 micron	Twist	Relieving	None	07B	<b>07B32A13A2BD</b>	17B	<b>17B32A13A2BD</b>
3/4"	Poly / metal guard	40 micron	Twist	Relieving	None		<b>07B42A13A2BD</b>		<b>17B42A13A2BD</b>



06B Shown

\* 06 / 16 Available with port blocks only  
 ‡ For polycarbonate bowl, see caution in Engineering Section A  
 † 16H / 16B and 17H / 17B are Micro Mist version lubricators

### WARNING

**Product rupture can cause serious injury.  
 Do not connect regulator to bottled gas.  
 Do not exceed Maximum primary pressure rating.**

### CAUTION:

**REGULATOR PRESSURE ADJUSTMENT** – The working range of knob adjustment is designed to permit outlet pressures within their full range. Pressure adjustment beyond this range is also possible because the knob is not a limiting device. This is a common characteristic of most industrial regulators, and limiting devices may be obtained only by special design. For best performance, regulated pressure should always be set by increasing the pressure up to the desired setting.

Most popular.



For inventory, lead times, and kit lookup, visit [www.pdnplu.com](http://www.pdnplu.com)

Prep-Air® II Products  
 Filters  
 Coalescers  
 Regulators  
 Filter / Regulators  
 Lubricators  
 Combinations  
 Accessories

Ordering information:

<b>16B</b>	<b>1</b>	<b>2</b>	<b>A</b>	<b>13</b>	<b>A</b>	<b>2</b>	<b>B</b>	<b>C</b>	<b></b>
------------	----------	----------	----------	-----------	----------	----------	----------	----------	---------

Series	
Micro-mist compact, 3-unit	16B
Micro-mist standard, 3-unit	17B
Micro-mist compact, 2-unit	16H
Micro-mist standard, 2-unit	17H
Mist compact, 3-unit	06B
Mist standard, 3-unit	07B
Mist compact, 2-unit	06H
Mist standard, 2-unit	07H

Port Size	
1/4 inch (06/16)	1
3/8 inch	2
1/2 inch (06/16 with port blocks)	3
3/4 inch (07/17)	4

Filter Bowl Options	
Poly bowl, metal bowl guard, twist drain	2
Poly bowl, metal bowl guard, auto float drain	6
Metal bowl, twist drain	3
Metal bowl, sight gauge, twist drain	4
Metal bowl, auto float drain	7
Metal bowl, sight gauge, auto float drain	8

Filter Element	
40 Micron	A
5 Micron	B

Engineering Level	
C	06B, 16B, 06H, 16H current
D	07B, 17B, 07H, 17H current

Lubricator Body Options	
B	With fill plug
F	With body pressure fill

Lubricator Bowl Options	
2	Poly bowl, metal bowl guard, no drain
6	Poly bowl, bowl guard, pressure fill
K	Poly bowl, metal bowl guard, auto fill
N	Poly bowl, metal bowl guard, twist drain
4	Metal bowl, sight gauge, twist drain
8	Metal bowl, sight gauge, pressure fill
M	Metal bowl, sight gauge, auto fill

Relief	
A	Relieving
L	Non-relieving

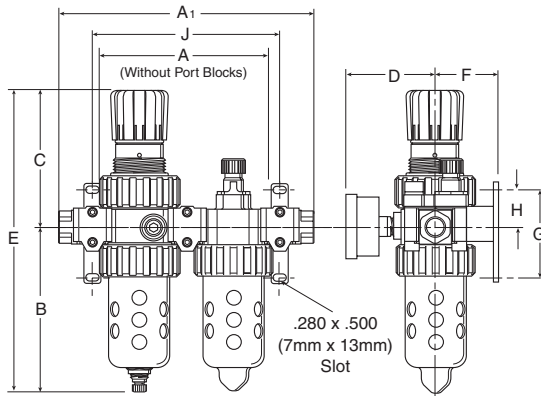
  

Pressure Range			
Without gauge		With gauge	
11	60 psig	16	60 psig
13	125 psig	18	125 psig
15*	250 psig	21*	250 psig

Modular Options	
Blank	No port blocks
A	with wall mounting bracket & port block
B	with mounting bracket, lockout & port block
C*	with mounting bracket & lockout
G	with port blocks
J	with lockout (no port blocks)
K	with lockout & port blocks
W	with mounting bracket

\* 06/16 Series 1/2" units not available with option C, use option B.



06H, 16H Series

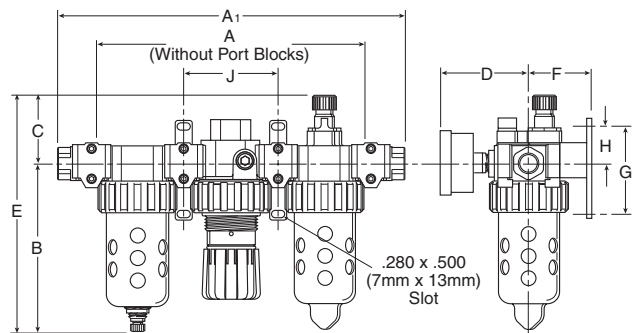
A	A1	B	C	D	E	F	G	H	J
6.10	9.04	5.69	4.69	3.18	10.38	2.00	3.58	1.40	6.65
(155)	(230)	(145)	(119)	(81)	(264)	(51)	(91)	(36)	(169)

07H, 17H Series

A	A1	B	C	D	E	F	G	H	J
7.00	10.28	6.97	4.79	3.44	11.76	2.09	3.58	1.40	7.51
(178)	(261)	(177)	(122)	(87)	(299)	(53)	(91)	(36)	(191)

Inches (mm)

• All dimensions nominal.



06B, 16B Series

A	A1	B	C	D	E	F	G	H	J
9.46	12.39	5.69	2.24	3.18	7.93	2.00	3.58	1.40	3.33
(240)	(315)	(145)	(57)	(81)	(202)	(51)	(91)	(36)	(85)

07B, 17B Series

A	A1	B	C	D	E	F	G	H	J
10.75	14.03	6.97	2.41	3.44	9.38	2.18	3.58	1.40	3.76
(273)	(356)	(177)	(61)	(87)	(238)	(55)	(91)	(36)	(95)

Inches (mm)

• All dimensions nominal.



For inventory, lead time, and kit lookup, visit [www.pdnplu.com](http://www.pdnplu.com)



**Modular Accessories**

**Service Kits**

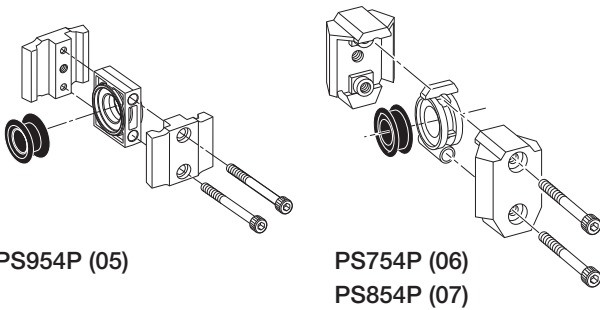
Body connector, (05 series)	<b>PS954P</b>
Body connector, (06 series)	<b>PS754P</b>
Body connector, (07 series)	<b>PS854P</b>
Wall mounting kits (05 series)	<b>PS955P</b>
Wall mounting kits (06 & 07 series)	<b>PS755P</b>
Lockout valves, (06 series)	<b>PS756P</b>
Lockout valves, (07 series)	<b>PS856P</b>
Modular manifold block 3/8" port, (06 series)	<b>PS757P</b>
Modular manifold block 1/2" port, (07 series)	<b>PS857P</b>

**Body Connectors**

Body connectors allow you to easily assemble and disassemble modular combinations.

Body connectors are required whenever you assemble two or more pieces together.

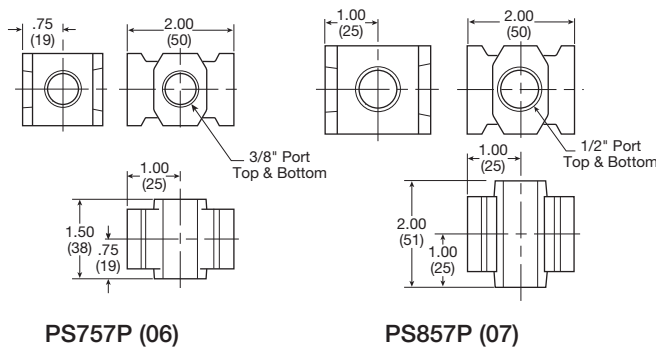
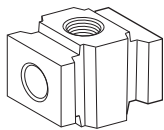
Each kit includes one set.



**Modular Manifold Block**

A modular manifold block can be used between any two modular units to give additional outlet ports. The manifold block provides 2 additional outlets in 3/8" and 1/2" sizes. Any standard pipe plug can be used to close off unused ports.

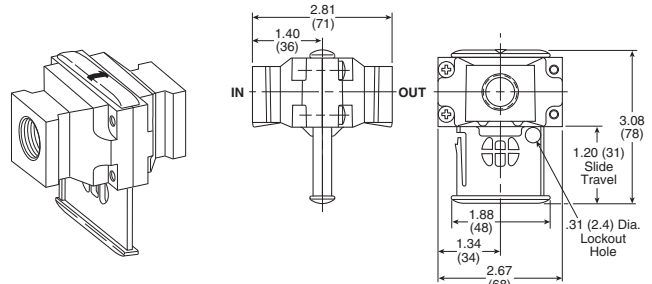
**NOTE: Body connectors are not supplied with manifold blocks.**



**Lockout Valves**

Lockout Valves provide positive shut-off and exhaust capability to isolate Modular units so they can be easily removed from the line and can be locked in a closed position. Center position can be used as a slow start. Accepts #3 padlock.

**NOTE: Body connectors are not supplied with lockout valves.**

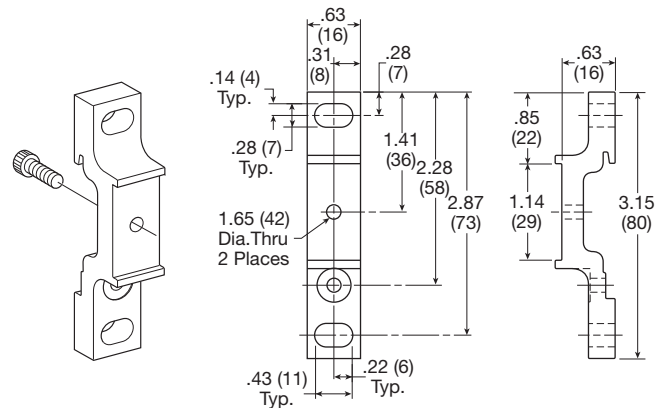


**Wall Mounting Kits**

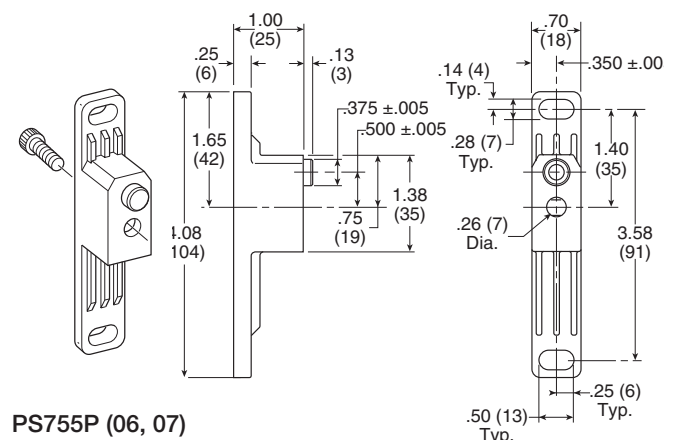
Wall mounting kits are available for mounting your modular assemblies and can be assembled and used with any standard body connector set.

Since modular combinations are always identical in size, you can predrill for wall mounting on your equipment.

Kit includes 1 assembly.



PS955P (05)



PS755P (06, 07)

Prep-Air® II  
Products



Filters

Coalescers

Regulators

Filter /  
Regulators

Lubricators

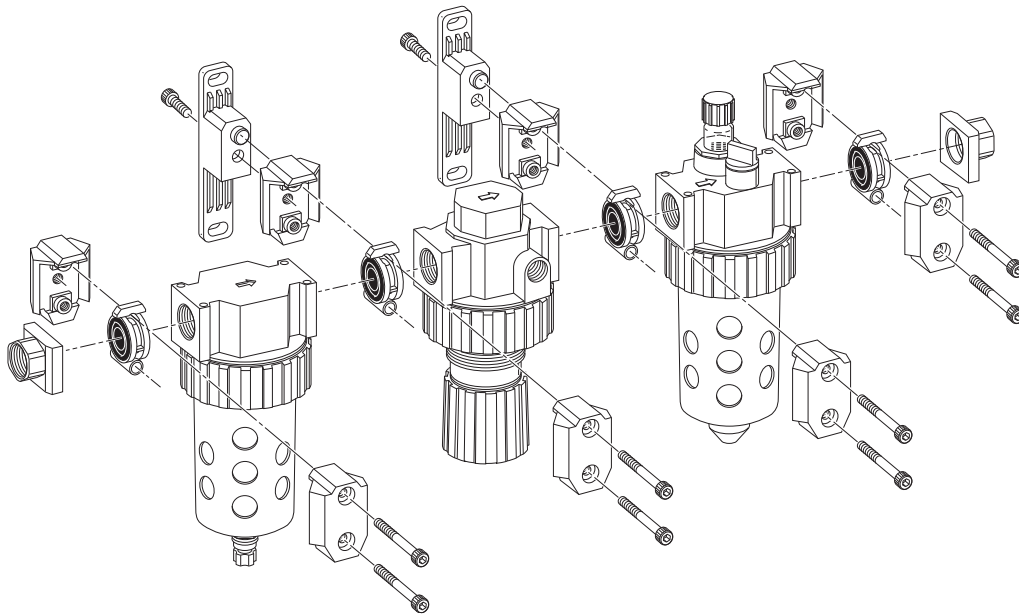
Combinations

Accessories



For inventory, lead times, and kit lookup, visit [www.pdnplu.com](http://www.pdnplu.com)

**Modular Accessories – 06 Compact & 07 Standard Series**



**Port Block Connector Kits**

**06 Series**

1/4" Port block kits, NPT	<b>PS750P</b>
1/4" Port block kits, BSPP	<b>PS765P †</b>
1/4" Port block kits, BSPT	<b>PS761P</b>
3/8" Port block kits, NPT	<b>PS751P</b>
3/8" Port block kits, BSPP	<b>PS766P †</b>
3/8" Port block kits, BSPT	<b>PS762P</b>
1/2" Port block kits, NPT	<b>PS752P*</b>
1/2" Port block kits, BSPP	<b>PS767P* †</b>
1/2" Port block kits, BSPT	<b>PS799P*</b>

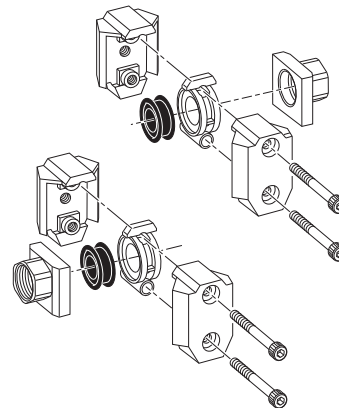
**07 Series**

1/4" Port block kits, NPT	<b>PS850P</b>
1/4" Port block kits, BSPP	<b>PS865P</b>
1/4" Port block kits, BSPT	<b>PS861P</b>
3/8" Port block kits, NPT	<b>PS851P</b>
3/8" Port block kits, BSPP	<b>PS866P</b>
3/8" Port block kits, BSPT	<b>PS862P</b>
1/2" Port block kits, NPT	<b>PS852P</b>
1/2" Port block kits, BSPP	<b>PS867P ‡</b>
1/2" Port block kits, BSPT	<b>PS863P</b>
3/4" Port block kits, NPT	<b>PS853P</b>
3/4" Port block kits, BSPP	<b>PS860P</b>
3/4" Port block kits, BSPT	<b>PS864P</b>

\* Use 1/4 or 3/8 ported bodies.

† 1/4, 3/8 & 1/2 inch meet ISO 1179-1 Standard.

‡ 1/2 inch meets ISO 1179-1 Standard.



Port block connectors allow you to make threaded port connections to modular units and are available in various port sizes to match your system requirements.

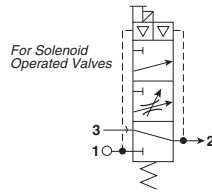
Each kit includes all the necessary pieces to make two port connections.



For inventory, lead time, and kit lookup, visit [www.pdnplu.com](http://www.pdnplu.com)

## 06S & 07S Soft Start / Quick Dump Valve

- Combines Soft Start and Quick Dump Valve in the same body
- Large flow capacities up to 5.7 Cv
- Inline or Modular mounting
- Soft Start flow easily adjusted



Port size	Description	Part number
3/8"	24 VDC, 30 to 145 psi	<b>06S249B</b>
3/8"	120/60 Hz, 30 to 145 psi	<b>06S253B</b>
1/2"	24 VDC, 30 to 145 psi	<b>07S349B</b>
1/2"	120/60 Hz, 30 to 145 psi	<b>07S353B</b>

### Operating information

Exhaust ports:	06S	1/2 inch
	07S	3/4 inch
Inlet and outlet ports:	06S	3/8 inch
	07S	1/2 inch
Maximum pressure:		
Standard coil		145 psig (10.0 bar)
High pressure coil		200 psig (13.8)
Operating pressure (min):		30 psig (20.1 bar)
Operating temperature:		40°F to 120°F (4°C to 49°C)
Weight:	06S	2.25 lb (1.02 kg)
	07S	3.75 lb (1.70 kg)

### Operation

When the valve is installed into the pneumatic system and pilot operator receives no signal, the air is blocked at Port 1. When a pilot signal is received at pilot operator, the valve shifts closing the connection between Ports 2 and 3. At the same time air flow begins between Ports 1 and 2 at a slow rate controlled by the needle valve located on the top of the valve. When the down stream pressure reaches approximately 60% of the supply pressure, the main valve spool opens allowing full flow through the valve into the system. If pilot signal or system pressure is lost, the valve returns to its initial state venting the down stream pressure through Port 3.

Pressure supply piping must be the same size as the inlet port or larger to insure that the pilot valve receives sufficient pressure supply during high flow conditions.

The valves pilot signal is through a solenoid pilot mounted on the head. The valve should be mounted downstream of the FRL and with the soft start adjustment needle easily accessible.

**CAUTION:** Do not use synthetic, reconstituted, or oils with an alcohol content or detergent additive.

**CAUTION:** Do not restrict the inlet of valves.

### Ordering information:

<b>Series</b>	<b>06S</b>	<b>2</b>	<b>53</b>	<b>B</b>	<b>Option</b>
Soft start / quick dump valve	06S				Blank NPT
Soft start / quick dump valve	07S				1* BSPP G
		<b>Port Size</b>			* 3/8 & 1/2 inch meet ISO 1179-1 standard.
		3/8 inch (06S)	2		
		1/2 inch (07S)	3		
				<b>Engineering Level</b>	
				B	Current
		<b>Operator / Voltage</b>			
		24VDC, 30 to 145 psi	49*		
		120/60 Hz, 30 to 145 psi	53*		
		24VDC, 145 to 200 psi	69†		
		120/60 Hz, 145 to 200 psi	73†		
		M12 Male connector, 4 pole, 24VDC	MD		
		* For voltage options 49 and 53, use 22mm connectors			
		† For voltage options 69 and 73, use 30mm connectors			

Most popular.



For inventory, lead times, and kit lookup, visit [www.pdnplu.com](http://www.pdnplu.com)



# Soft Start / Quick Dump Valve

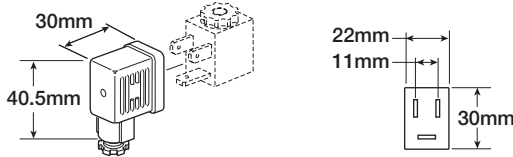
## Material Specifications

Body	Aluminum
Bottom Plug	Brass

## Repair and Service Kits

06S repair kit	<b>PHRKSC75</b>
07S repair kit	<b>PHRKSC105</b>
06 modular body connectors	<b>PS754P</b>
07 modular body connectors	<b>PS854P</b>
1/2" exhaust silencer	<b>ES50MB</b>
3/4" exhaust silencer	<b>ES75MB</b>

## 22mm Rectangular 3-Pin



Description	Connector	Connector with 6' (2m) cord
Unlighted	<b>PS2429BP</b>	<b>PS2429JBP</b>
Light – 24VDC	<b>PS243079BP</b>	<b>PS2430J79BP*</b>
Light – 120V/60Hz	<b>PS243083BP</b>	<b>PS2430J83BP*</b>

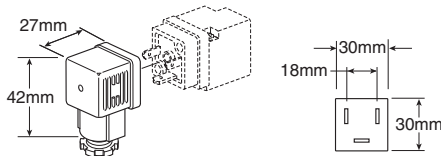
\* LED with surge suppression.

**Note:** Max ø6.5mm cable size required for connector w/o 6' (2m) cord. IP65 rated when properly installed.

**Engineering Data:**

Conductors: 2 poles plus ground; Cable range (connector only): 6 to 8mm (0.24 to 0.31 Inch); Contact Spacing: 11mm

## 30mm Square 3-Pin



Description	Connector	Connector with 6' (2m) cord
Unlighted	<b>PS2028BP</b>	<b>PS2028JBP</b>
Light – 24VDC	<b>PS203279BP</b>	<b>PS2032J79BP*</b>
Light – 120V/60Hz	<b>PS203283BP</b>	<b>PS2032J83BP*</b>

\* LED with surge suppression.

**Note:** Max ø6.5mm cable size required for connector w/o 6' (2m) cord. IP65 rated when properly installed.

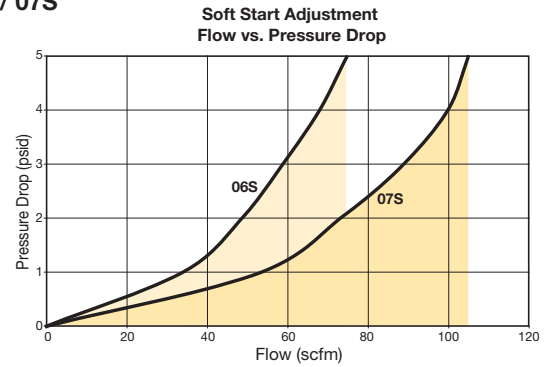
**Engineering Data:**

Conductors: 2 poles plus ground; Cable range (connector only): 8 to 10mm (0.31 to 0.39 Inch); Contact spacing: 18mm

# Air Preparation Products Prep-Air® II Series

## Performance Characteristics

### 06S / 07S



**Table 1:** Shows the relationship between the inlet pressure and downstream pressure at which the main valve opens.

Inlet pressure psig	Downstream pressure psig	
	06S	07S
75	55	52
100	67	68
125	80	82

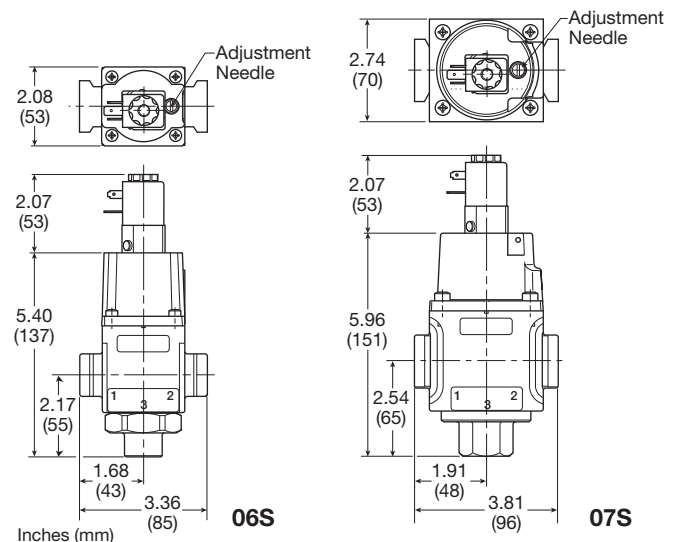
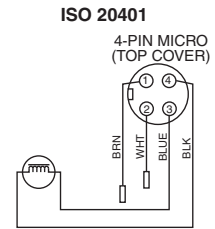
**Table 2:** Product forward flow Cv and exhaust flow Cv.

Series	Flow Cv	Exhaust flow Cv
06S	4.1	3.4
07S	5.7	4.6

## Connections

### Central M12 Male Connector, 4 Pole

Pin number	Function	Color
1	24V Supply	Brown
2	0 to 10V or 4 to 20mA Control Signal Ri = 100k Ω	White
3	0V (GND) Supply	Blue
4	24V Alarm Output Signal	Black

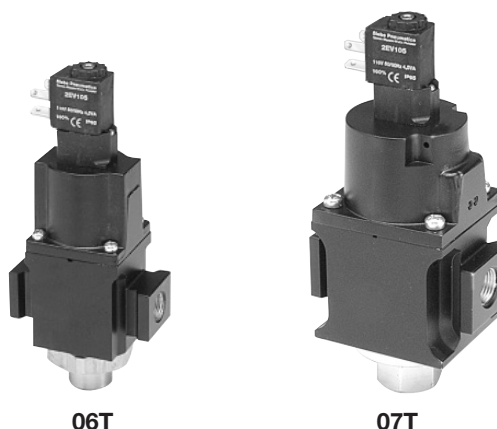
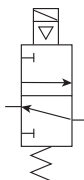


For inventory, lead time, and kit lookup, visit [www.pdnplu.com](http://www.pdnplu.com)



**06T & 07T Solenoid Quick Dump Valve**

- Shuts off incoming pressure while rapidly exhausting downstream pressure
- Large exhaust flow capacities up to 5.0 Cv
- Solenoid operation
- Non-locking manual override
- Inline or Modular Mounting



Port size	Description	Part number
3/8"	24 VDC, 30 to 145 psi, NPT	<b>06T249A</b>
3/8"	120/60 Hz, 30 to 145 psi, NPT	<b>06T253A</b>
1/2"	24 VDC, 30 to 145 psi, NPT	<b>07T349A</b>
1/2"	120/60 Hz, 30 to 145 psi, NPT	<b>07T353A</b>

Operating information		
Exhaust ports:	06T	1/2 inch
	07T	3/4 inch
Inlet and outlet ports:	06T	3/8 inch
	07T	1/2 inch
Maximum pressure:		
Standard coil		145 psig (10.0 bar)
High pressure coil		200 psig (13.8)
Operating pressure (min):		30 psig (20.1 bar)
Operating temperature:		40°F to 120°F (4°C to 49°C)
Weight:	06T	2.25 lb (1.02 kg)
	07T	3.75 lb (1.70 kg)

**Operation**

The solenoid quick dump valves are high flow, normally closed, 3-Port, 2-Position directional control valves.

Upon energizing the solenoid, inlet air is applied to the top of the piston. The piston pushes against the spring and opens the main valve providing full flow air to the downstream. When the solenoid is de-energized, the main valve closes allowing downstream air to exhaust rapidly through the bottom plug. The bottom plug is tapped so that exhaust may be piped away or fitted with a muffler.

- CAUTION:** Do not use synthetic, reconstituted, or oils with an alcohol content or detergent additive.
- CAUTION:** Do not restrict the inlet of valves having an internal pilot supply. Pressure supply piping must be the same size as the inlet port or larger to insure that the pilot valve receives sufficient pressure supply during high flow conditions.

**Ordering information:**

<b>Series</b>	<b>06T</b>	<b>2</b>	<b>53</b>	<b>A</b>	<b>Option</b>
Solenoid quick dump valve	06T				Blank NPT
Solenoid quick dump valve	07T				1* BSPP G
		<b>Port Size</b>			* 3/8 & 1/2 inch meet ISO 1179-1 standard.
		3/8 inch (06T)	2		
		1/2 inch (07T)	3		
				<b>Engineering Level</b>	
				A	Current
		<b>Operator / Voltage</b>			
		24VDC, 30 to 145 psi	49*		
		120/60 Hz, 30 to 145 psi	53*		
		24VDC, 145 to 200 psi	69†		
		120/60 Hz, 145 to 200 psi	73†		
		M12 Male connector, 4 pole, 24VDC	MD		

\* For voltage options 49 and 53, use 22mm connectors  
† For voltage options 69 and 73, use 30mm connectors

Most popular.



For inventory, lead times, and kit lookup, visit [www.pdnplu.com](http://www.pdnplu.com)

Prep-Air® II Products  
 Filters  
 Coalescers  
 Regulators  
 Filter / Regulators  
 Lubricators  
 Combinations  
 Accessories

## Solenoid Quick Dump Valve

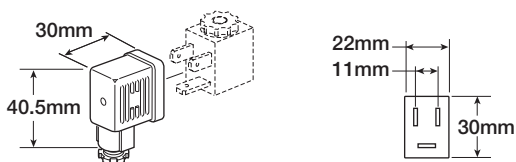
### Material Specifications

Body	Aluminum
Bottom plug	Brass

### Repair and Service Kits

06T repair kit	PHRKS75
07T repair kit	PHRKS105
06 modular body connectors	PS754P
07 modular body connectors	PS854P
1/2" exhaust silencer	ES50MB
3/4" exhaust silencer	ES75MB

### 22mm Rectangular 3-Pin



Description	Connector	Connector with 6' (2m) Cord
Unlighted	PS2429BP	PS2429JBP
Light – 24VDC	PS243079BP	PS2430J79BP*
Light – 120V/60Hz	PS243083BP	PS2430J83BP*

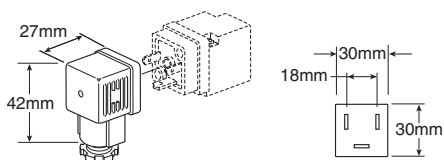
\* LED with surge suppression.

**Note:** Max ø6.5 mm cable size required for connector w/o 6' (2m) cord. IP65 rated when properly installed.

Engineering Data:

Conductors: 2 Poles Plus Ground; Cable Range (Connector Only): 6 to 8 mm (0.24 to 0.31 Inch); Contact Spacing: 11mm

### 30mm Square 3-Pin



Description	Connector	Connector with 6' (2m) Cord
Unlighted	PS2028BP	PS2028JBP
Light – 24VDC	PS203279BP	PS2032J79BP*
Light – 120V/60Hz	PS203283BP	PS2032J83BP*

\* LED with surge suppression.

**Note:** Max ø6.5 mm cable size required for connector w/o 6' (2m) cord. IP65 rated when properly installed.

Engineering Data:

Conductors: 2 Poles Plus Ground; Cable Range (Connector Only): 8 to 10mm (0.31 to 0.39 Inch); Contact Spacing: 18 mm

## Air Preparation Products Prep-Air® II Series

### Performance Characteristics

06T / 07T

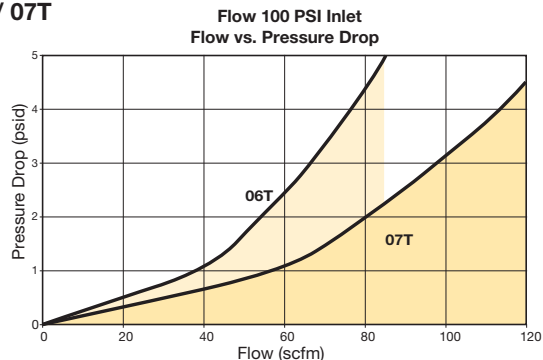


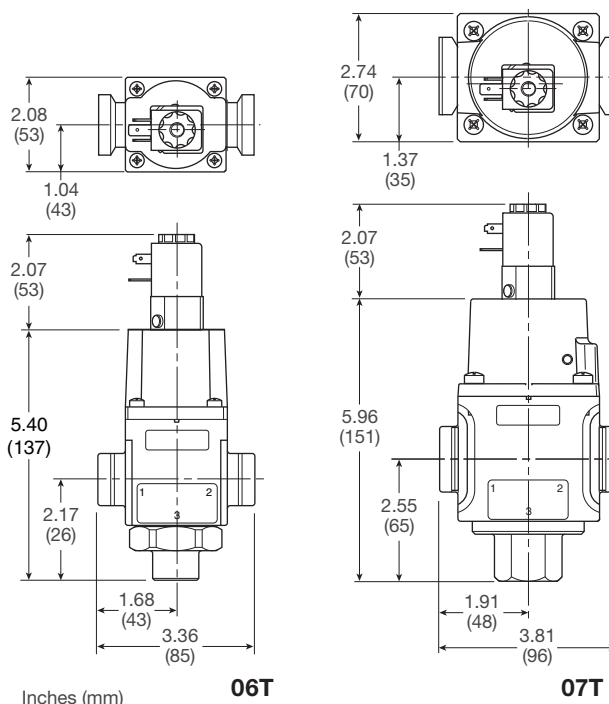
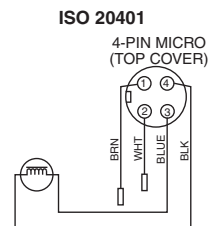
Table 2: Product forward flow Cv (1 to 2).

Series	Flow Cv	Exhaust Flow Cv
06T	3.7	4.1
07T	5.5	5.0

### Connections

Central M12 Male Connector, 4 Pole

Pin Number	Function	Color
1	24V Supply	Brown
2	0 to 10V or 4 to 20mA Control Signal Ri = 100k Ω	White
3	0V (GND) Supply	Blue
4	24V Alarm Output Signal	Black

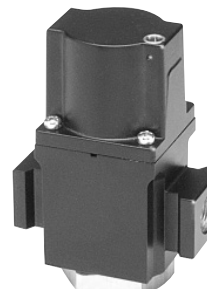
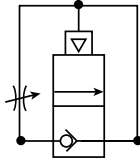


For inventory, lead time, and kit lookup, visit [www.pdnplu.com](http://www.pdnplu.com)



**06P & 07P Auto Pilot Soft Start Valve**

- Smooth start-up of pneumatic system
- Air pilot operation
- Large flow capacities up to 5.5 Cv
- Inline or Modular Mounting



06P



07P

Port size	Description	Part number
3/8"	NPT	<b>06P2A</b>
1/2"	NPT	<b>07P3A</b>

**Operating information**

Maximum pressure:	300 psig (20.7)
Operating pressure (Min):	30 psig (20.1 bar)
Operating temperature:	40°F to 120°F (4°C to 49°C)
Weight:	06P 2.75 lb (1.25 kg) 07P 4.50 lb (2.04 kg)

**Operation**

When pressure is supplied to the inlet port, gradual filling of the downstream system occurs through the adjustable needle valve. The piston opens the main valve when the downstream reaches approximately 60% of the supply pressure. The ramp up time to reach the switch over pressure is adjustable via the needle valve in the cover.

The Auto pilot soft start valve is not intended to be used as a shut off valve and should always be placed after a shut off valve.

**CAUTION:** Do not use synthetic, reconstituted, or oils with an alcohol content or detergent additive.

**CAUTION:** Do not restrict the inlet of valves having an internal pilot supply. Pressure supply piping must be the same size as the inlet port or larger to insure that the pilot valve receives sufficient pressure supply during high flow conditions.

**Ordering information:**

<b>06P</b>	<b>2</b>	<b>A</b>	□											
<table border="1"> <thead> <tr><th>Series</th></tr> </thead> <tbody> <tr><td>Auto pilot soft start valve 06P</td></tr> <tr><td>Auto pilot soft start valve 07P</td></tr> </tbody> </table>	Series	Auto pilot soft start valve 06P	Auto pilot soft start valve 07P	<table border="1"> <thead> <tr><th>Port Size</th></tr> </thead> <tbody> <tr><td>3/8 inch (06P) 2</td></tr> <tr><td>1/2 inch (07P) 3</td></tr> </tbody> </table>	Port Size	3/8 inch (06P) 2	1/2 inch (07P) 3	<table border="1"> <thead> <tr><th>Engineering Level</th></tr> </thead> <tbody> <tr><td>A Current</td></tr> </tbody> </table>	Engineering Level	A Current	<table border="1"> <thead> <tr><th>Option</th></tr> </thead> <tbody> <tr><td>Blank NPT</td></tr> <tr><td>1* BSPP G</td></tr> </tbody> </table> <p>* 3/8 &amp; 1/2 inch meet ISO 1179-1 standard.</p>	Option	Blank NPT	1* BSPP G
Series														
Auto pilot soft start valve 06P														
Auto pilot soft start valve 07P														
Port Size														
3/8 inch (06P) 2														
1/2 inch (07P) 3														
Engineering Level														
A Current														
Option														
Blank NPT														
1* BSPP G														

□ Most popular.



For inventory, lead times, and kit lookup, visit [www.pdnplu.com](http://www.pdnplu.com)



## Auto Pilot Soft Start Valve

### Material Specifications

Body	Aluminum
Bottom plug, 06P	Brass
Bottom plug, 07P	Zinc

### Repair and Service Kits

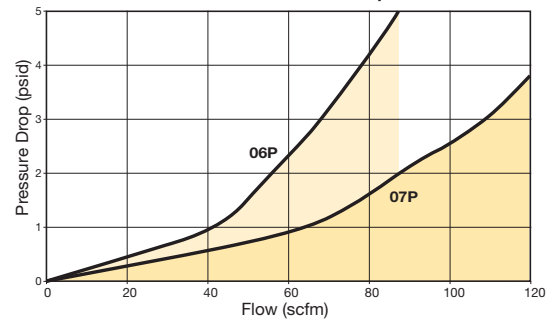
06P repair kit	<b>PHRKSS75</b>
07P repair kit	<b>PHRKSS105</b>
06 modular body connectors	<b>PS754P</b>
07 modular body connectors	<b>PS854P</b>

## Air Preparation Products Prep-Air® II Series

### Performance Characteristics

06P / 07P

Soft Start Adjustment  
Flow vs. Pressure Drop

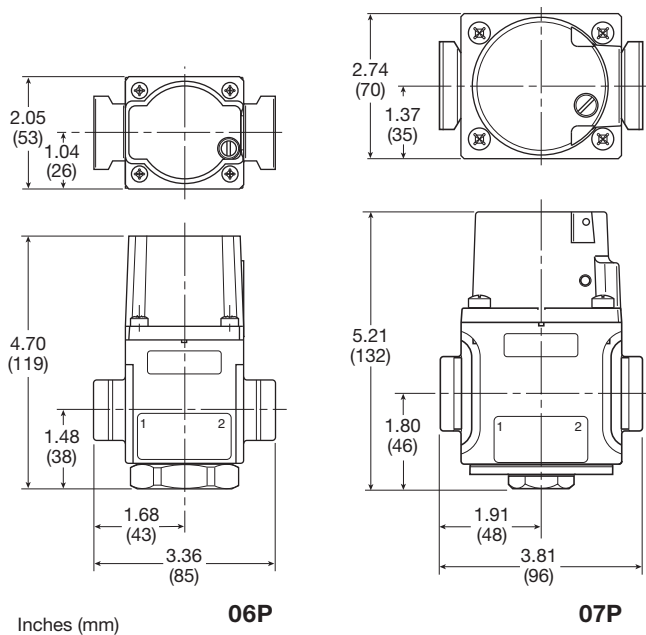


**Table 1:** Shows the relationship between the inlet pressure and downstream pressure at which the main valve opens.

Inlet Pressure psig	Downstream Pressure psig	
	06P	07P
75	45	25
100	60	33
125	75	38
150	85	45

**Table 2:** Product forward flow Cv (1 to 2).

Series	Flow Cv
06P	3.8
07P	5.5



Prep-Air® II  
Products



Filters

Coalescers

Regulators

Filter /  
Regulators

Lubricators

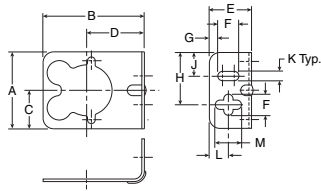
Combinations

Accessories

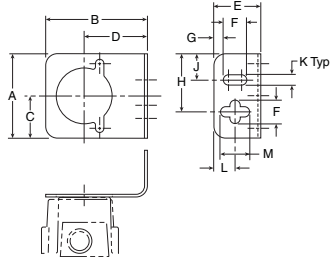


For inventory, lead time, and kit lookup, visit [www.pdnplu.com](http://www.pdnplu.com)

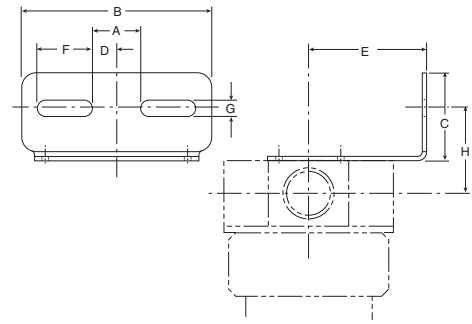
Mounting Bracket Kits



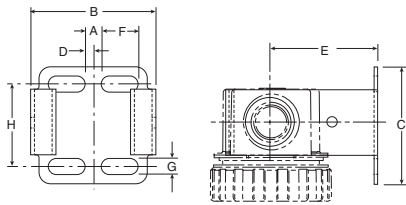
**PS417BP**  
(Includes Panel Mount Nut)



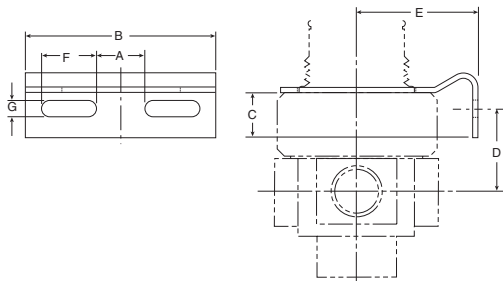
**PS419**  
(Includes Panel Mount Nut)



**PS743P, PS843P**

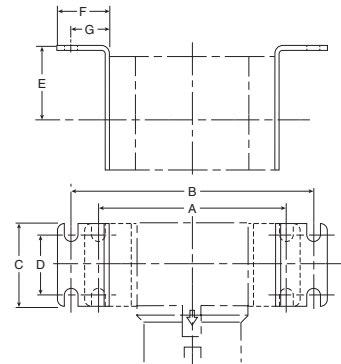


**PS943P**



**PS707P & PS807P**  
(Includes Panel Mount Nut)

**PS963P**  
(Includes Aluminum Panel Mount Nut)



**P3NKA00MW**

Dimensions

A	B	C	D	E	F	G	H	J	K	L	M	Kit
1.80 (46)	2.37 (60)	0.90 (23)	1.35 (34)	1.00 (25)	0.50 (13)	0.20 (5)	1.24 (31)	0.56 (14)	0.22 (6)	0.45 (11)	0.62 (16)	<b>PS417BP</b> (10F, 14F, P3A, 14R, 14E)
1.80 (46)	2.17 (55)	0.90 (23)	1.35 (34)	1.00 (25)	0.50 (13)	0.20 (5)	1.24 (31)	0.56 (14)	0.22 (6)	0.45 (11)	0.62 (16)	<b>PS419</b> (04L)
0.84 (21)	3.25 (83)	1.50 (38)	0.42 (11)	2.00 (51)	0.94 (24)	0.28 (7)	1.44 (37)	—	—	—	—	<b>PS743P</b> (06F, 11F, 06L, 16L)
1.00 (25)	3.94 (100)	1.57 (40)	0.50 (13)	2.19 (56)	1.25 (32)	0.28 (7)	1.68 (43)	—	—	—	—	<b>PS843P</b> (07F, 12F, 07L, 17L)
0.28 (7)	2.12 (54)	2.00 (51)	0.14 (4)	1.85 (47)	0.63 (16)	0.28 (7)	1.41 (36)	—	—	—	—	<b>PS943P</b> (05F, 15F, 15L)
0.84 (21)	2.59 (66)	0.49 (12)	1.02 (26)	1.85 (47)	0.61 (15)	0.28 (7)	—	—	—	—	—	<b>PS963P</b> (05R, 10R, 05E, 27E)
0.84 (21)	3.26 (83)	0.77 (20)	1.46 (37)	2.00 (51)	0.94 (24)	0.28 (7)	—	—	—	—	—	<b>PS707P</b> (06R, 06E, 11R)
1.00 (25)	3.94 (100)	0.65 (17)	1.68 (43)	2.19 (56)	1.25 (32)	0.28 (7)	—	—	—	—	—	<b>PS807P</b> (07R, 07E, 12R)
6.22 (158)	8.19 (208)	2.75 (70)	1.97 (50)	2.36 (60)	1.77 (45)	1.30 (33)	—	—	—	—	—	P3NKA00MW (P3NF, P3NR, P3NE, P3NL)

inches (mm)

Prep-Air® II Products



Filters

Coalescers

Regulators

Filter / Regulators

Lubricators

Combinations

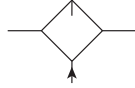
Accessories



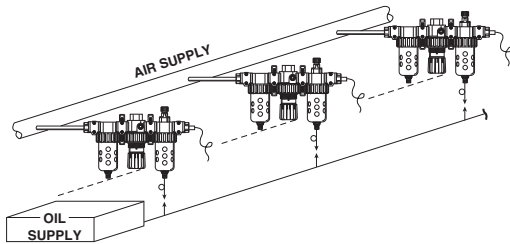
For inventory, lead times, and kit lookup, visit [www.pdnplu.com](http://www.pdnplu.com)

## Remote Auto-Fill Device

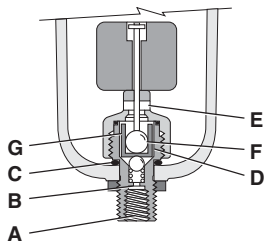
- Wide operating range (oil supply to inlet may be 30 to 270 psig; air operating pressure depends on bowl used)
- Rugged polyurethane float design
- Complete field conversion kit (internal components only)
- Adaptable on polycarbonate and metal bowls already in service (must supply lubricator housing in order to retrofit)
- Oil supply strainer standard
- Fits 06L / 16L and 07L / 17L series
- 3/8", 1/2", 3/4" ports



Description	Weight lbs (kg)	Part number
Auto-fill device kit	1.9 (0.9)	PS505CP



### Operation



Oil enters the unit at the pipe thread fitting (A) with a supply pressure that is a minimum of 20 psig above the lubricator air pressure. With the float lowered, oil flows through metering orifice (B) and lifts the check ball (C). Oil continues to flow past the shuttle chamber annulus (D) and out the cross drilled hole (E). As the oil level rises, it cause the float to rise to its maximum level in the bowl. During this period the shut-off ball (F) remains in chamber (G), out of the flow stream. Near the end of the filling period, shut-off ball (F) will enter the flow stream and snap shut against the seat in chamber (G).

The stem assembly will thus block any additional oil passage as long as the oil supply pressure is maintained at (A). When the supply pressure at (A) is released, ball (C) is held up against the shuttle (D) by a spring causing a slight delay in reverse flow shut-off. This permits the higher still present supply pressure in chamber (G) to dissipate and bowl pressure to take over. The shuttle then moves down forcing ball (C) to close orifice (B). The orifice will remain closed as long as there is air pressure in the bowl.

This delay of reverse flow in chamber (G) is necessary to allow shut-off ball (F) to fall when the oil level decreases and permit oil to enter the bowl for the next refill. Thus, for the unit to operate properly, it is necessary that the oil supply pressure go to zero after each fill.

  Most popular.



### Operating information

Supply pressure (max):	
Plastic bowl	150 psig (10.3 bar)
Metal bowl / sight gauge	250 psig (17.2 bar)
Operating temperature:	
Plastic bowl	32°F to 125°F (0°C to 52°C)
Metal bowl / sight gauge	32°F to 175°F (0°C to 80°C)
Flow capacity†:	
Minimum flow	1 scfm (0.5 dm³/s, ANR) at 100 psig
Bowl capacity:	4.9 oz.

† Oil inlet pressure must be at least 20 psig above system air pressure and may be up to 300 psig.

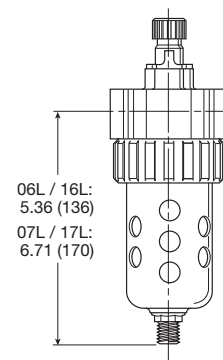
### Material Specifications

Body, cap & stem	Aluminum
Float	Polyurethane
Mounting nut	Delrin
Seals	Nitrile
Spring	Stainless

Flexible tubing is recommended for oil supply line connection to remote fill inlet. Rigid piping should be avoided to prevent possible damage due to stresses on the lubricator bowl assembly.

Oil supply line should be pressurized for 2 to 15 minutes one or more times per day. Pressurization frequently should be based on maintaining oil in lubricator at its highest level.

**Suggested Lubricant** ..... **F442 Oil**  
 Petroleum based oil of 100 to 200 SUS viscosity at 38°C (100°F) and an aniline point greater than 93°C (200°F)  
 (DO NOT USE OILS WITH ADDITIVES, COMPOUNDED OILS CONTAINING SOLVENTS, GRAPHITE, DETERGENTS, OR SYNTHETIC OILS.)



Inches (mm)



For inventory, lead time, and kit lookup, visit [www.pdnplu.com](http://www.pdnplu.com)



For inventory, lead times, and kit lookup, visit [www.pdnplu.com](http://www.pdnplu.com)

E56

**Parker Hannifin Corporation**  
Pneumatic Division  
Richland, Michigan  
[www.parker.com/pneumatics](http://www.parker.com/pneumatics)





### Air Preparation Products Stainless Steel Products

<a href="#">PF504 Particulate Filters</a>	F2-F3
<a href="#">PF10 Particulate Filters</a>	F4-F5
<a href="#">PF501 Coalescing Filters</a>	F6-F7
<a href="#">PF11 Coalescing Filters</a>	F8-F9
<a href="#">PR354 &amp; PR364 Regulators</a>	F10-F11
<a href="#">PR10 &amp; PR11 Regulators</a>	F12-F13
<a href="#">PB548 &amp; PB558 Filter / Regulators</a>	F14-F15
<a href="#">PB11 &amp; PB12 Filter / Regulators</a>	F16-F17
<a href="#">PL10 Lubricators</a>	F18-F19

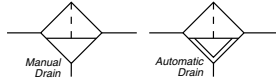


Stainless Steel  
Products



**PF504 Particulate Filters – Miniature**

- Stainless steel construction handles most corrosive environments
- Fluorocarbon seals standard
- Meets NACE specifications MR-01-75/ISO 15156
- 1/8" female threaded drain
- 1/4" port (NPT, BSPP)



Port size	Description	Part number
1/4"	Twist drain, NPT	<b>PF504-02DHSS</b>
1/4"	Auto pulse drain, NPT	<b>PF504-02DHRSS</b>

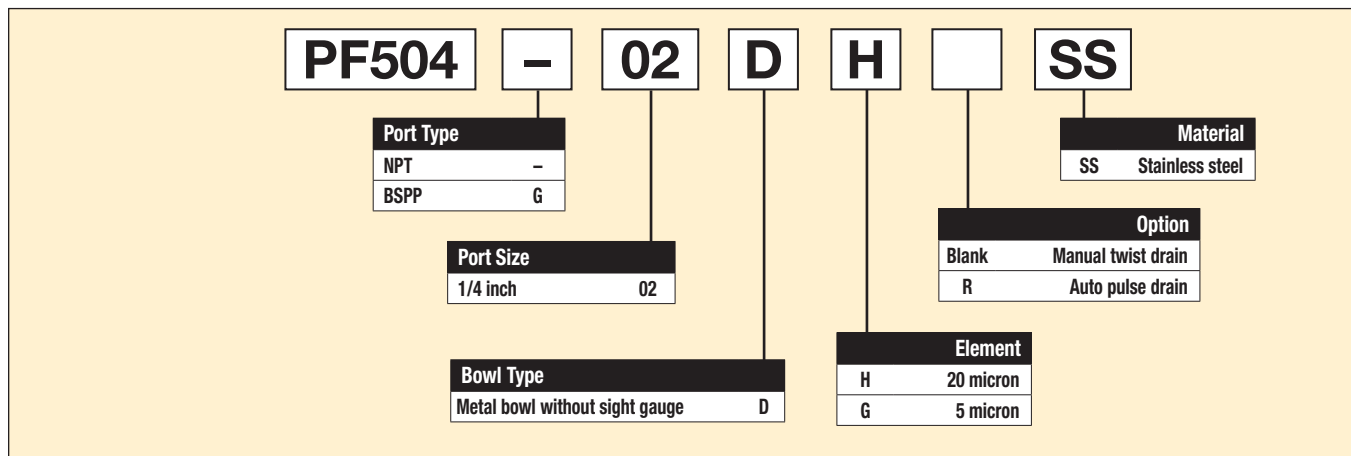
**Operating information**

Operating pressure:	
Twist drain	0 to 300 psig (0 to 20.7 bar)
Auto pulse drain	10 to 175 psig (0 to 12 bar)
Operating temperature:	
Twist drain	0°F to 180°F (-18°C to 82°C)
Auto pulse drain	32°F to 150°F (0°C to 66°C)
Flow capacity†:	23 scfm (10.9 dm <sup>3</sup> /s, ANR)
Bowl capacity:	1.0 oz.
Filter rating:	20 micron
Sump capacity:	0.4 oz.
Weight:	0.6 lb (0.27 kg)

**Note:** Air must be dry enough to avoid ice formation at temperatures below 32°F (0°C)

† scfm = Standard cubic feet per minute at 90 psig inlet and 5 psig pressure drop.

**Ordering information:**



Most popular.

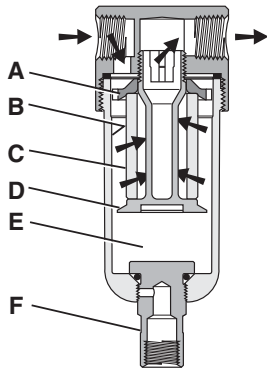


For inventory, lead times, and kit lookup, visit [www.pdnplu.com](http://www.pdnplu.com)

Stainless Steel Products  
 Filters  
 Coalescers  
 Regulators  
 Filter / Regulators  
 Lubricators

# Miniature Particulate Filter

## Operation

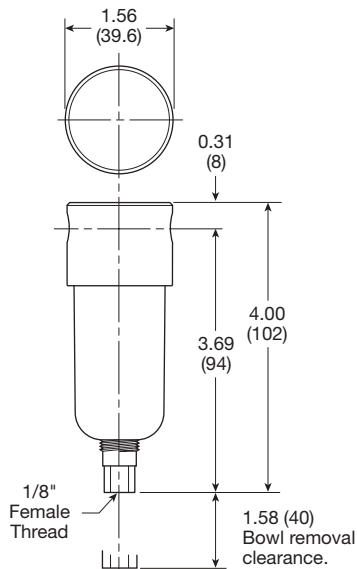


### First Stage Filtration:

Air enters at inlet port and flows through deflector plate (A) which causes a swirling action. Liquids and coarse particles are forced to the bowl interior wall (B) by the centrifugal action of the swirling air. They are then carried down the bowl wall by the force of gravity. The baffle (D) separates the lower portion of the bowl into a "quiet zone" (E) where the removed liquid and particles collect, unaffected by the swirling air, and are therefore not reentrained into the flowing air.

### Second Stage Filtration:

After liquids and large particles are removed in the first stages of filtration, the air flows through element (C) where smaller particles are filtered out. The filtered air then passes downstream. Collected liquids and particles in the "quiet zone" (E) should be drained before their level reaches a height where they would be reentrained in the flowing air. This can be accomplished by unscrewing the drain valve (F) slightly until the liquid begins to drain.



Inches (mm)

# Air Preparation Products Stainless Steel

## Material Specifications

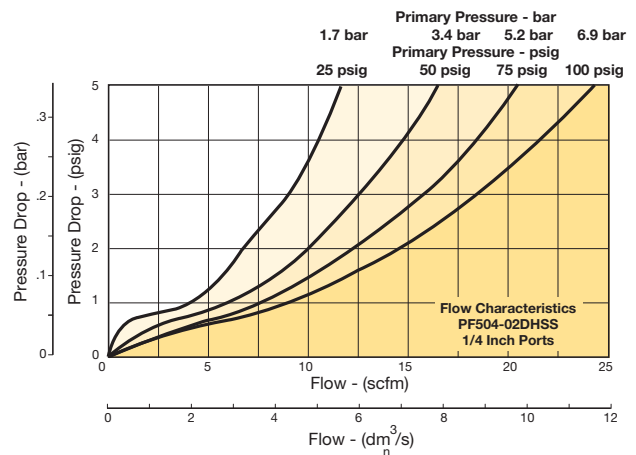
Body	316 stainless steel
Bowls	316 stainless steel
Deflector	Acetal
Drain	316 stainless steel
Element holder	Acetal
Filter element	Polyethylene
Seals	Fluorocarbon

## Repair and Service Kits

Auto pulse drain	<b>RK504SY-SS</b>
Manual twist drain (small, old)	<b>SA600Y7-1SS</b>
Manual twist drain (large, new)	<b>SAP05481</b>
5 micron element	<b>EK504VY</b>
20 micron element	<b>EK504Y</b>
Pipe nipple, 1/4" 316 stainless steel	<b>1/4 FF-SS</b>

## Flow Charts

### PF504 1/4" Filter



Stainless Steel  
Products

Filters

Coalescers

Regulators

Filter /  
Regulators

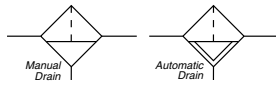
Lubricators



For inventory, lead time, and kit lookup, visit [www.pdnplu.com](http://www.pdnplu.com)

**PF10 Particulate Filters – Standard**

- Stainless steel construction handles most corrosive environments
- Fluorocarbon seals standard
- Meets NACE specifications MR-01-75/ISO 15156
- 1/8" female threaded drain
- 1/2" port (NPT, BSPP)



Port size	Description	Part number
1/2"	Twist drain, with sight gauge, NPT	<b>PF10-04WJSS</b>
1/2"	Auto float drain, with sight gauge, NPT	<b>PF10-04WJRSS</b>

**Operating information**

Operating pressure:	
Twist drain, no sight gauge	0 to 300 psig (0 to 20.7 bar)
Twist drain, sight gauge	0 to 250 psig (0 to 17.2 bar)
Auto float drain	10 to 175 psig (0 to 12 bar)
Operating temperature:	
Twist drain, no sight gauge	0°F to 180°F (-18°C to 82°C)
Twist drain, sight gauge	0°F to 150°F (-18°C to 66°C)
Auto float drain	32°F to 150°F (0°C to 66°C)
Flow capacity†:	70 scfm (33 dm³/s, ANR)
Bowl capacity:	4.0 oz.
Filter rating:	40 micron
Sump capacity:	1.7 oz.
Weight:	1.9 lb (0.85 kg)

**Note:** Air must be dry enough to avoid ice formation at temperatures below 32°F (0°C)

† scfm = Standard cubic feet per minute at 90 psig inlet and 5 psig pressure drop.

**Ordering information:**

**PF10 - 04 D J SS**

<b>Port Type</b>		<b>Material</b>
NPT	-	SS Stainless steel
BSPP	G	
<b>Port Size</b>		<b>Option</b>
1/2 inch	04	Blank Manual twist drain
		R Auto float drain
<b>Bowl Type</b>		<b>Element</b>
Metal bowl without sight gauge	D	J 40 micron
Metal bowl with sight gauge	W	G 5 micron

Most popular.

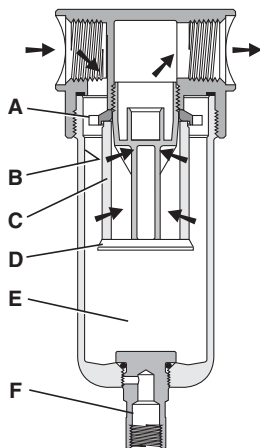


For inventory, lead times, and kit lookup, visit [www.pdnplu.com](http://www.pdnplu.com)

Stainless Steel Products  
Filters  
Coalescers  
Regulators  
Filter / Regulators  
Lubricators

# Standard Particulate Filter

## Operation

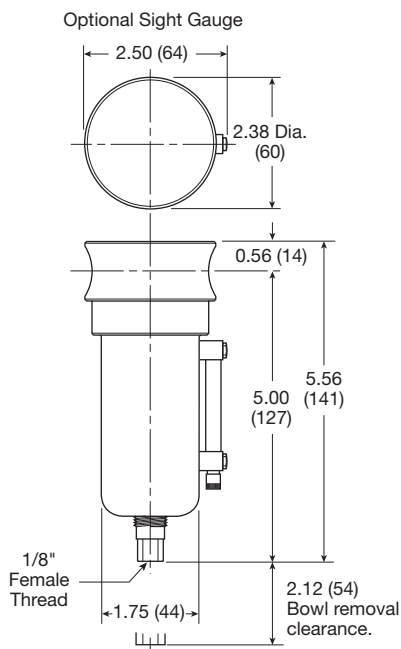


### First Stage Filtration:

Air enters at inlet port and flows through deflector plate (A) which causes a swirling action. Liquids and coarse particles are forced to the bowl interior wall (B) by the centrifugal action of the swirling air. They are then carried down the bowl wall by the force of gravity. The baffle (D) separates the lower portion of the bowl into a "quiet zone" (E) where the removed liquid and particles collect, unaffected by the swirling air, and are therefore not reentrained into the flowing air.

### Second Stage Filtration:

After liquids and large particles are removed in the first stages of filtration, the air flows through element (C) where smaller particles are filtered out. The filtered air then passes downstream. Collected liquids and particles in the "quiet zone" (E) should be drained before their level reaches a height where they would be reentrained in the flowing air. This can be accomplished by unscrewing the drain valve (F) slightly until the liquid begins to drain.



Inches (mm)

# Air Preparation Products Stainless Steel

## Material Specifications

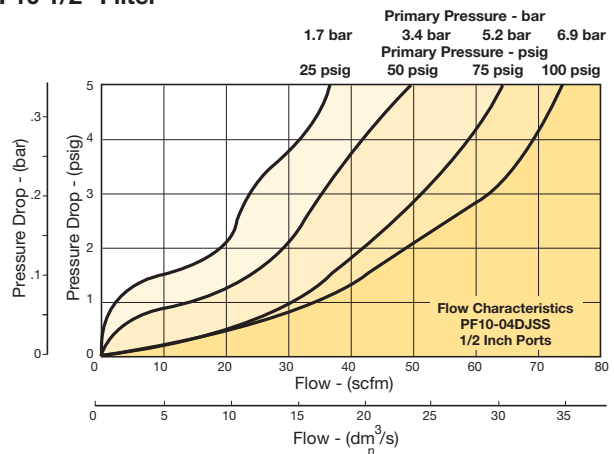
Body	316 stainless steel
Bowls	316 stainless steel
Deflector	Acetal
Drain	316 stainless steel
Element holder	Acetal
Filter element	Polyethylene
Seals	Fluorocarbon
Sight gauge	Isoplast

## Repair and Service Kits

Automatic float drain	<b>SA10MDSS</b>
Manual twist drain (small, old)	<b>SA600Y7-1SS</b>
Manual twist drain (large, new)	<b>SAP05481</b>
40 micron element	<b>EK55J</b>
5 micron element	<b>EK55G</b>
Pipe nipple, 1/2" 316 stainless steel	<b>616A28-SS</b>

## Flow Charts

### PF10 1/2" Filter



Stainless Steel  
Products

Filters

Coalescers

Regulators

Filter /  
Regulators

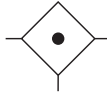
Lubricators



For inventory, lead time, and kit lookup, visit [www.pdnplu.com](http://www.pdnplu.com)

**PF501 Coalescing Filters – Miniature**

- Stainless steel construction handles most corrosive environments
- Meets NACE specifications MR-01-75/ISO 15156
- 1/8" female threaded drain
- 1/4" port (NPT, BSPP)



Port size	Description	Part number
1/4"	Twist drain, NPT	<b>PF501-02DHSS</b>
1/4"	Auto pulse drain, NPT	<b>PF501-02DHRSS</b>

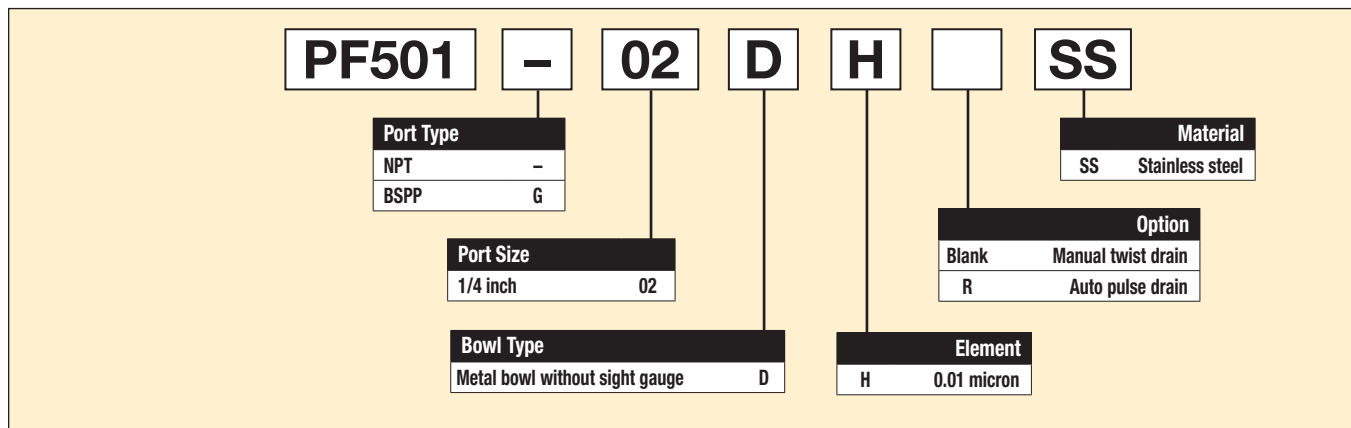
**Operating information**

Operating pressure:	
Twist drain	0 to 300 psig (0 to 20.7 bar)
Auto pulse drain	10 to 175 psig (0 to 12 bar)
Operating temperature:	
Twist drain	0°F to 180°F (-18°C to 82°C)
Auto pulse drain	32°F to 150°F (0°C to 66°C)
Flow capacity†:	16 scfm (7.6 dm <sup>3</sup> /s, ANR)
Bowl capacity:	1.0 oz.
Filter rating:	0.01 micron
Sump capacity:	0.4 oz.
Weight:	0.6 lb (0.27 kg)

**Note:** Air must be dry enough to avoid ice formation at temperatures below 32°F (0°C)

† scfm = Standard cubic feet per minute at 90 psig inlet and 5 psig pressure drop.

**Ordering information:**



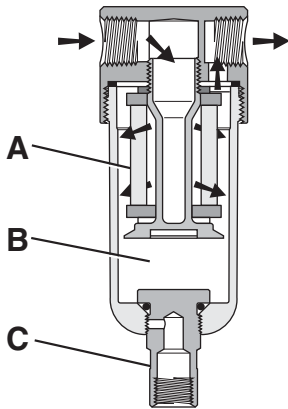
- Stainless Steel Products
- Filters
- Coalescers
- Regulators
- Filter / Regulators
- Lubricators



For inventory, lead times, and kit lookup, visit [www.pdnplu.com](http://www.pdnplu.com)

# Miniature Coalescing Filter

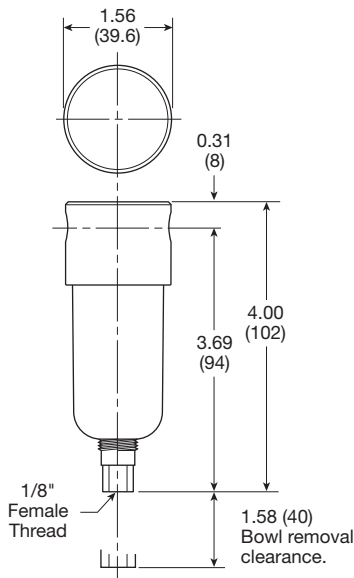
## Operation



The contaminated air enters the element interior and is forced through a thick membrane (A) of "borosilicate" glass fibers coated with epoxy. Flow then passes through the element, and at this stage 99.97% of the sub-micronic particles have been removed from the air stream. The tiny droplets coalesce together and are collected from the filter element by the outer drain layer.

The clean, filtered air now passes through and out into the pneumatic system. The air line coalescing filter removes liquid aerosols and sub-micron particulate matter.

Collected liquids and particles in the "quiet zone" (B) should be drained before their level reaches a height where they would be reentrained in the flowing air. This can be accomplished by unscrewing the drain valve (C) slightly until the liquid begins to drain.



Inches (mm)

# Air Preparation Products Stainless Steel

## Material Specifications

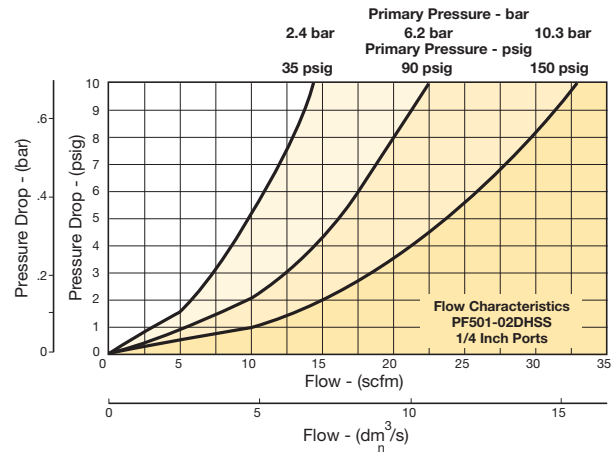
Body	316 stainless steel
Bowls	316 stainless steel
Drain	316 stainless steel
Element holder	Acetal
Filter element	Borosilicate Fiber
Seals	Fluorocarbon

## Repair and Service Kits

Auto pulse drain	<b>RK504SY-SS</b>
Manual twist drain (small, old)	<b>SA600Y7-1SS</b>
Manual twist drain (large, new)	<b>SAP05481</b>
0.01 micron element	<b>EKF501H</b>
Pipe nipple, 1/4" 316 stainless steel	<b>1/4 FF-SS</b>

## Flow Charts

### PF501 1/4" Coalescing Filter



Stainless Steel  
Products

Filters

Coalescers

Regulators

Filter /  
Regulators

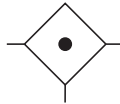
Lubricators



For inventory, lead time, and kit lookup, visit [www.pdnplu.com](http://www.pdnplu.com)

**PF11 Coalescing Filters – Standard**

- Stainless steel construction handles most corrosive environments
- Meets NACE specifications MR-01-75/ISO 15156
- 1/8" female threaded drain
- 1/2" port (NPT, BSPP)



Port size	Description	Part number
1/2"	Twist drain, with sight gauge, NPT	<b>PF11-04WJSS</b>
1/2"	Auto float drain, with sight gauge, NPT	<b>PF11-04WJRSS</b>

**Operating information**

Operating pressure:  
 Twist drain, no sight gauge 0 to 300 psig (0 to 20.7 bar)  
 Twist drain, sight gauge 0 to 250 psig (0 to 17.2 bar)  
 Auto float drain 10 to 175 psig (0 to 12 bar)

Operating temperature:  
 Twist drain, no sight gauge 0°F to 180°F (-18°C to 82°C)  
 Twist drain, sight gauge 0°F to 150°F (-18°C to 66°C)  
 Auto float drain 32°F to 150°F (0°C to 66°C)

Flow capacity†: 45 scfm (21.2 dm<sup>3</sup>/s, ANR)

Bowl capacity: 4.0 oz.

Filter rating: 0.01 micron

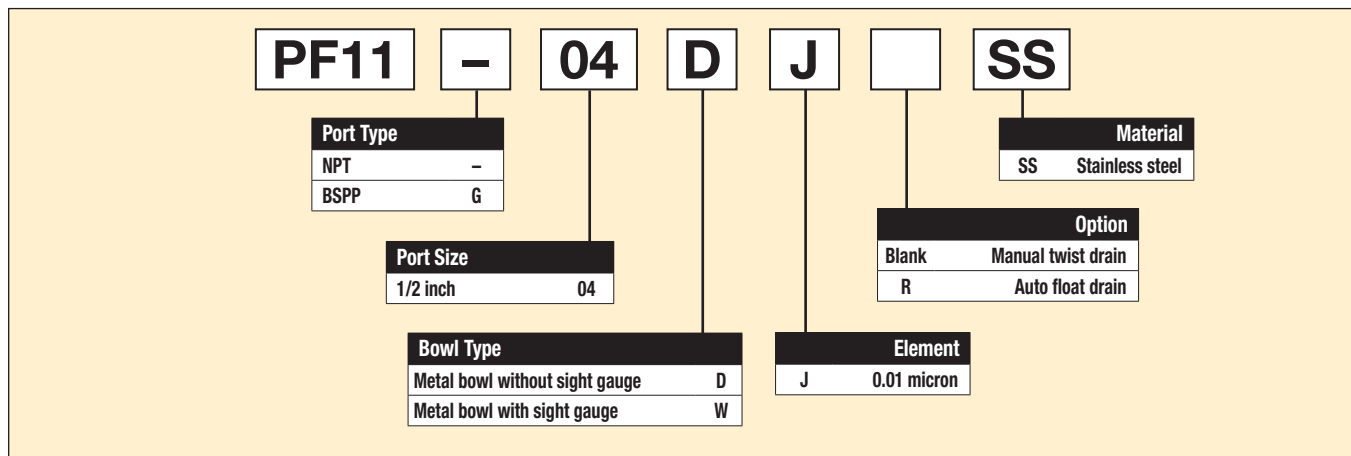
Sump capacity: 1.7 oz.

Weight: 1.9 lb (0.85 kg)

**Note:** Air must be dry enough to avoid ice formation at temperatures below 32°F (0°C)

† scfm = Standard cubic feet per minute at 90 psig inlet and 5 psig pressure drop.

**Ordering information:**



Most popular.



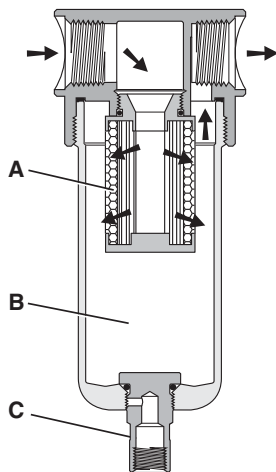
For inventory, lead times, and kit lookup, visit [www.pdnplu.com](http://www.pdnplu.com)

Stainless Steel Products  
 Filters  
 Coalescers  
 Regulators  
 Filter / Regulators  
 Lubricators



# Standard Coalescing Filter

## Operation

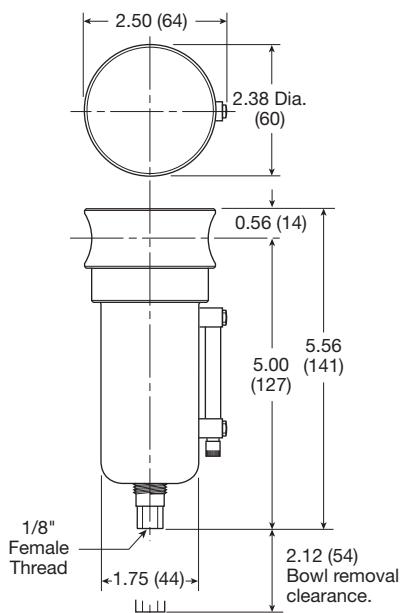


The contaminated air enters the element interior and is forced through a thick membrane (A) of "borosilicate" glass fibers coated with epoxy. Flow then passes through the element, and at this stage 99.9997% of the sub-micronic particles have been removed from the air stream. The tiny droplets coalesce together and are collected from the filter element by the outer drain layer.

The clean, filtered air now passes through and out into the pneumatic system. The air line coalescing filter removes liquid aerosols and sub-micron particulate matter.

Collected liquids and particles in the "quiet zone" (B) should be drained before their level reaches a height where they would be reentrained in the flowing air. This can be accomplished by unscrewing the drain valve (C) slightly until the liquid begins to drain.

Optional Sight Gauge



Inches (mm)

# Air Preparation Products Stainless Steel

## Material Specifications

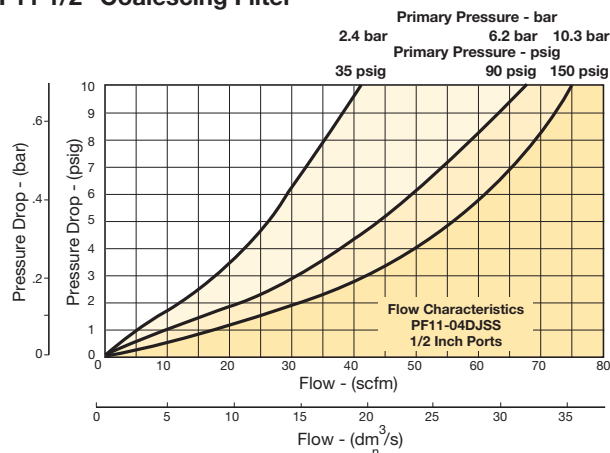
Body	316 Stainless Steel
Bowls	316 Stainless Steel
Drain	316 Stainless Steel
Element holder	Acetal
Filter element	Borosilicate Fiber
Seals	Fluorocarbon
Sight gauge	Isoplast

## Repair and Service Kits

Automatic float drain	<b>SA10MDSS</b>
0.01 micron element	<b>EKF71</b>
Pipe nipple, 1/2" 316 stainless steel	<b>616A28-SS</b>

## Flow Charts

PF11 1/2" Coalescing Filter



**P**

Stainless Steel Products

Filters

Coalescers

Regulators

Filter / Regulators

Lubricators



For inventory, lead time, and kit lookup, visit [www.pdnplu.com](http://www.pdnplu.com)

**PR354, PR364 Regulator – Miniature**

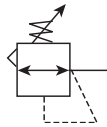
- Stainless steel construction handles most corrosive environments
- Large diaphragm to valve area ratio for precise regulation and high flow capacity
- Meets NACE specifications MR-01-75/ISO 15156
- 1/4" port (NPT, BSPP)



**PR364**



**PR354**



Port size	Description	Part number
1/4"	Standard knob, NPT	<b>PR364-02CSS</b>
1/4"	Stainless steel, NPT	<b>PR354-02CSS</b>

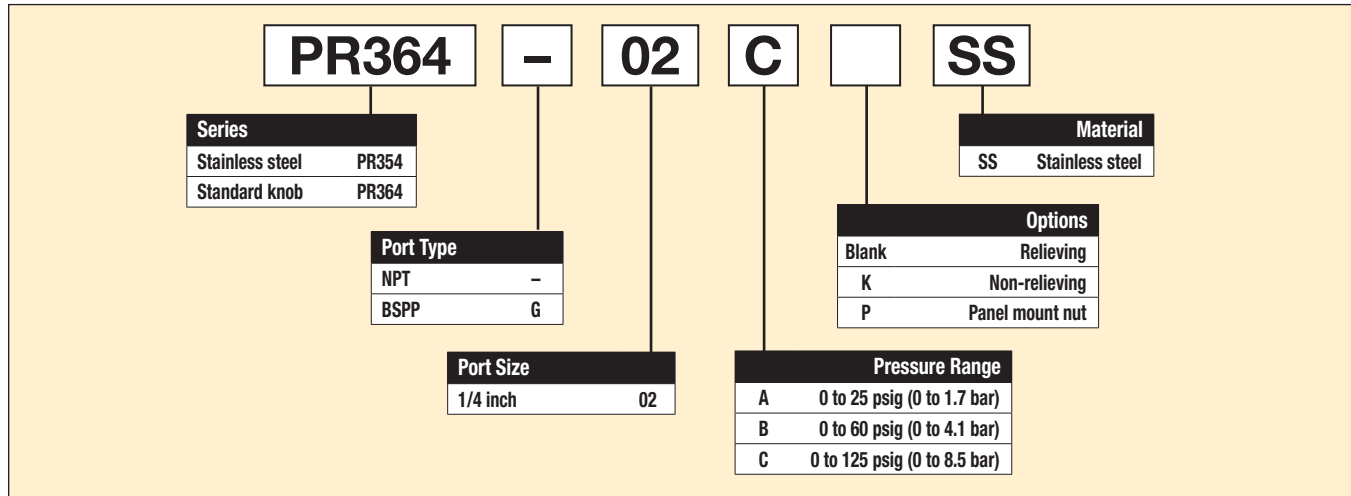
**Operating information**

Operating pressure:	
PR354	300 psig (20.7 bar)
PR364	300 psig (20.7 bar)
Operating temperature:	
PR354	0°F to 180°F (-18°C to 82°C)
PR364	0°F to 150°F (-18°C to 66°C)
Flow capacity†:	12 scfm (5.7 dm <sup>3</sup> /s, ANR)
Gauge port:	1/4 inch
Operation:	Fluorocarbon diaphragm
Weight:	0.5 lb (0.23 kg)

**Note: Air must be dry enough to avoid ice formation at temperatures below 32°F (0°C)**

† scfm = Standard cubic feet per minute at 100 psig inlet, 75 psig no flow secondary setting and 15 psig pressure drop.

**Ordering information:**



Most popular.

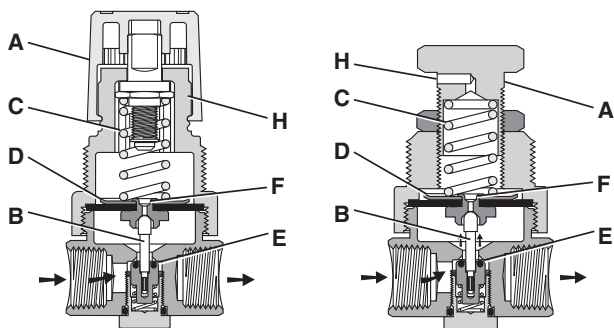


For inventory, lead times, and kit lookup, visit [www.pdnplu.com](http://www.pdnplu.com)

Stainless Steel Products  
 Filters  
 Coalescers  
 Regulators  
 Filter / Regulators  
 Lubricators

# Miniature Regulators

## Operation

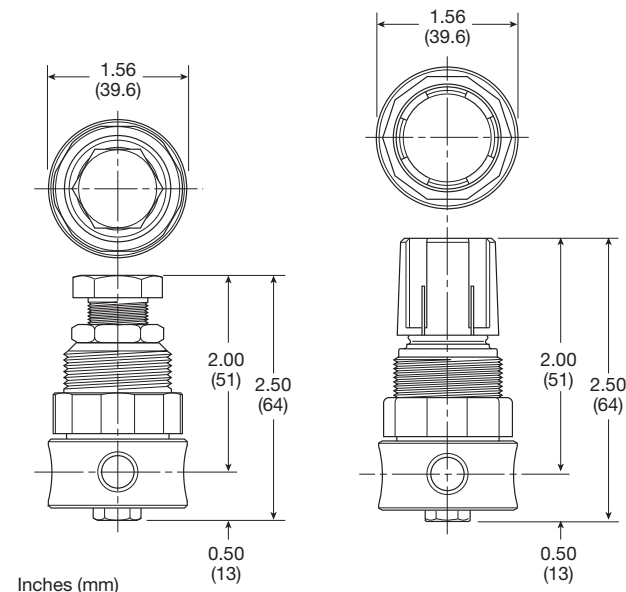


With the adjusting knob (A) turned fully counter-clockwise (no spring load), and pressure supplied to the regulator inlet port, the valve poppet assembly (B) is closed. Turning the adjusting knob clockwise applies a load to control spring (C). This load causes the diaphragm (D) and the valve poppet assembly (B) to move downward allowing flow across the seat area (E) created between the poppet assembly and the seat. Pressure in the downstream line is sensed below the diaphragm (D) and offsets the load of spring (C). As downstream pressure rises, poppet assembly (B) and diaphragm (D) move upward until the area (E) is closed and the load of the spring (C) and pressure under diaphragm (D) are in balance. A reduced outlet pressure has now been obtained, depending on spring load. Creating a demand downstream, such as opening a valve, results in a reduced pressure under the diaphragm (D). The load of control spring (C) now causes the poppet assembly to move downward opening seat area (E) allowing air to flow to meet the downstream demand. The flow of downstream air is metered by the amount of opening (E).

Should downstream pressure exceed the desired regulated pressure, the excess pressure will cause the diaphragm (D) to move upward against control spring (C), open vent hole (F), and vent the excess pressure to atmosphere through the hole in the bonnet (H). (This occurs in the relieving type regulator only.)

### PR354

### PR364



# Air Preparation Products Stainless Steel

## Material Specifications

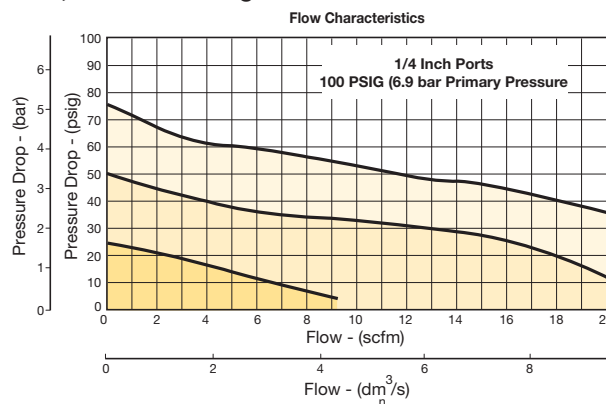
Adjustment mechanism / springs	316 stainless steel
Adjusting knob (PR354)	316 Stainless Steel
Adjusting knob (PR364)	Polypropylene
Body	316 stainless steel
Bonnet (PR354)	316 stainless steel
Bonnet (PR364)	Acetal
Bottom plug	316 stainless steel
Poppet	316 stainless steel
Seals	Fluorocarbon

## Repair and Service Kits

PR354 bonnet kit	<b>CKR354YSS</b>
PR364 bonnet kit (knob included)	<b>CKR364Y-1SS</b>
1-1/2" face, 160 psig (0 to 1100 kPa), gauge (stainless)	<b>K4515N14160SS</b>
Panel mount bracket (Stainless)	<b>161X57-SS</b>
Panel mount nut, stainless	<b>R05X51-SS</b>
Panel mount nut, plastic	<b>R05X51-P</b>
Pipe nipple, 1/4" 316 stainless steel	<b>1/4 FF-SS</b>
Relieving	<b>RKR364YSS</b>
Non-relieving	<b>RKR364KYSS</b>
0-25 psig spring	<b>SPR-375-2-SS</b>
0-60 psig spring	<b>SPR-376-1-SS</b>
0-125 psig spring	<b>SPR-377-1-SS</b>

## Flow Charts

### PR354, PR364 1/4" Regulator



**⚠ WARNING**

**Product rupture can cause serious injury.  
Do not connect regulator to bottled gas.  
Do not exceed Maximum primary pressure rating.**

### CAUTION:

**REGULATOR PRESSURE ADJUSTMENT** – The working range of knob adjustment is designed to permit outlet pressures within their full range. Pressure adjustment beyond this range is also possible because the knob is not a limiting device. This is a common characteristic of most industrial regulators, and limiting devices may be obtained only by special design. For best performance, regulated pressure should always be set by increasing the pressure up to the desired setting.



For inventory, lead time, and kit lookup, visit [www.pdnplu.com](http://www.pdnplu.com)

**Stainless Steel Products**

Filters

Coalescers

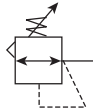
Regulators

Filter / Regulators

Lubricators

## PR10, PR11 Regulator – Standard

- Stainless steel construction handles most corrosive environments
- Large diaphragm to valve area ratio for precise regulation and high flow capacity
- Meets NACE specifications MR-01-75/ISO 15156
- Low temperature version available
- 1/2" port (NPT, BSPP)



**PR11**



**PR10**

Port size	Description	Part number
1/2"	Standard knob, NPT	<b>PR10-04CSS</b>
1/2"	Stainless steel T-handle, NPT	<b>PR11-04CSS</b>

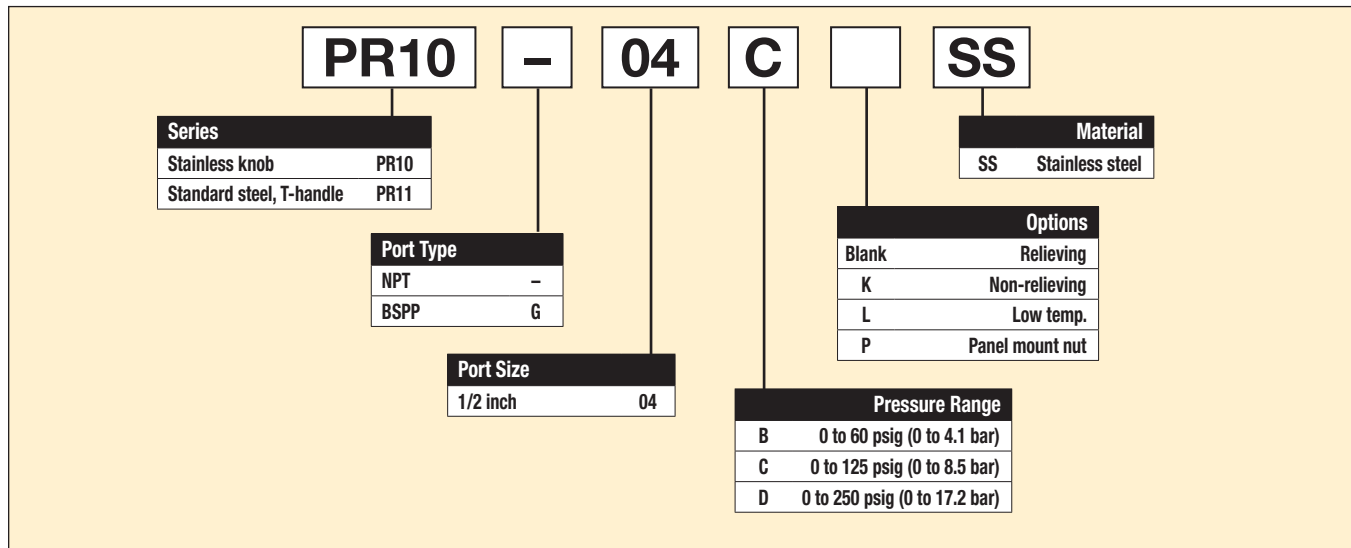
### Operating information

Operating pressure:	
PR10	300 psig (20.7 bar)
PR11	300 psig (20.7 bar)
Operating temperature:	
PR10	0°F to 150°F (-18°C to 66°C)
PR11	0°F to 180°F (-18°C to 82°C)
	Option "L" minimum -40°F (-40°C)
Flow capacity†:	80 scfm (37.8 dm <sup>3</sup> /s, ANR)
Gauge port:	1/4 inch
Operation:	Fluorocarbon diaphragm
Weight:	1.79 lb (0.81 kg)

**Note:** Air must be dry enough to avoid ice formation at temperatures below 32°F (0°C)

† scfm = Standard cubic feet per minute at 100 psig inlet, 75 psig no flow secondary setting and 15 psig pressure drop.

### Ordering information:



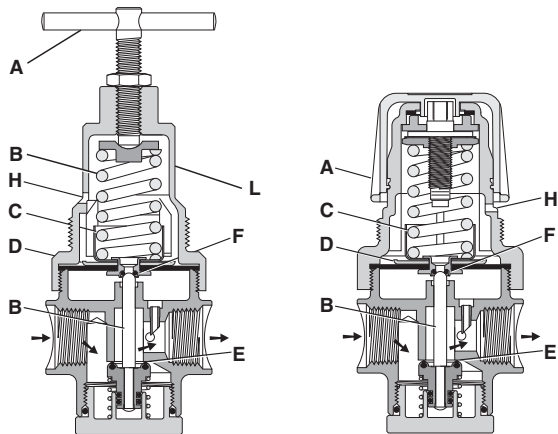
Most popular.



For inventory, lead times, and kit lookup, visit [www.pdnplu.com](http://www.pdnplu.com)

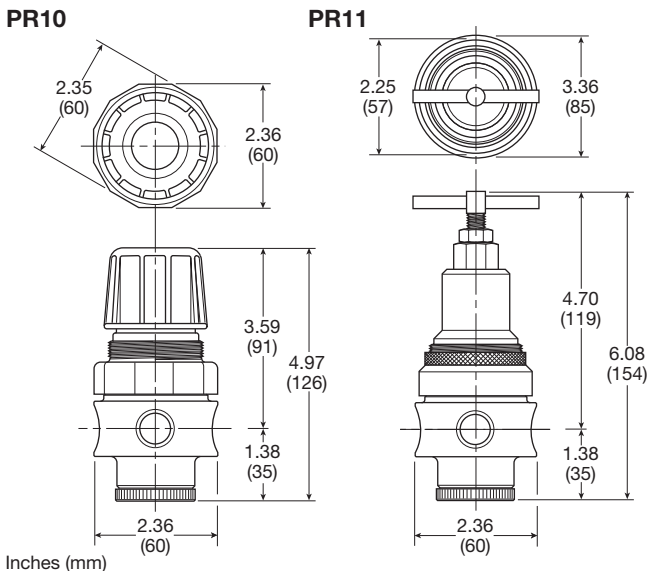
Stainless Steel Products  
 Filters  
 Coalescers  
 Regulators  
 Filter / Regulators  
 Lubricators

**Operation**



With the adjusting knob / T-Handle (A) turned fully counter-clockwise (no spring load), and pressure supplied to the regulator inlet port, the valve poppet assembly (B) is closed. Turning the adjusting knob clockwise applies a load to control spring (C). This load causes the diaphragm (D) and the valve poppet assembly (B) to move downward allowing flow across the seat area (E) created between the poppet assembly and the seat. Pressure in the downstream line is sensed below the diaphragm (D) and offsets the load of spring (C). As downstream pressure rises, poppet assembly (B) and diaphragm (D) move upward until the area (E) is closed and the load of the spring (C) and pressure under diaphragm (D) are in balance. A reduced outlet pressure has now been obtained, depending on spring load. Creating a demand downstream, such as opening a valve, results in a reduced pressure under the diaphragm (D). The load of control spring (C) now causes the poppet assembly to move downward opening seat area (E) allowing air to flow to meet the downstream demand. The flow of downstream air is metered by the amount of opening (E).

Should downstream pressure exceed the desired regulated pressure, the excess pressure will cause the diaphragm (D) to move upward against control spring (C), open vent hole (F), and vent the excess pressure to atmosphere through the hole in the bonnet (H). (This occurs in the relieving type regulator only.)



**Material Specifications**

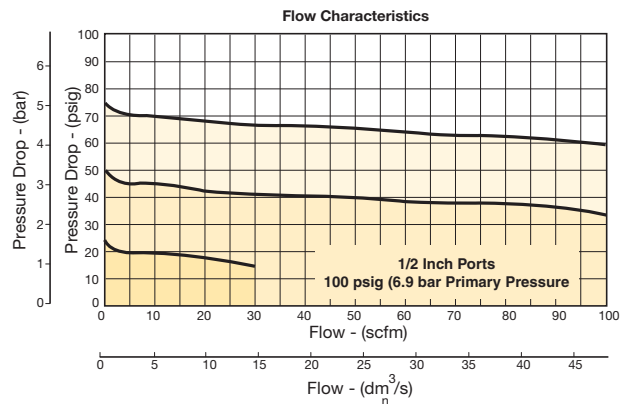
Adjustment mechanism / springs	316 stainless steel
Body	316 stainless steel
Bonnet / tee handle (PR11)	316 stainless steel
Bonnet / knob (PR10)	Acetal
Bottom plug	316 stainless steel
Poppet	316 stainless steel
Seals	Fluorocarbon

**Repair and Service Kits**

PR10 bonnet kit (knob included)	<b>CKR10YSS</b>
PR11 bonnet kit	<b>CKR11YSS</b>
2" Face 160 psig (0 to 1100 kPa), gauge (stainless)	<b>K4520N14160SS</b>
Panel mount bracket (stainless)	<b>R10Y57-SS</b>
Panel mount nut, stainless	<b>R10X51-SS</b>
Panel mount nut, plastic	<b>R10X51-P</b>
Pipe nipple, 1/2" 316 stainless steel	<b>616A28-SS</b>
Relieving	<b>RKR10YSS</b>
Non-relieving	<b>RKR10KYSS</b>
0-60 psig spring	<b>SPR-388-1-SS</b>
0-125 psig spring	<b>SPR-389-1-SS</b>
0-250 psig spring	<b>SPR-390-1-SS</b>

**Flow Charts**

**PR10 1/2" Regulator**



**⚠ WARNING**

**Product rupture can cause serious injury.  
 Do not connect regulator to bottled gas.  
 Do not exceed Maximum primary pressure rating.**

**CAUTION:**

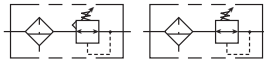
**REGULATOR PRESSURE ADJUSTMENT** – The working range of knob adjustment is designed to permit outlet pressures within their full range. Pressure adjustment beyond this range is also possible because the knob is not a limiting device. This is a common characteristic of most industrial regulators, and limiting devices may be obtained only by special design. For best performance, regulated pressure should always be set by increasing the pressure up to the desired setting.



For inventory, lead time, and kit lookup, visit [www.pdnplu.com](http://www.pdnplu.com)

**PB548, PB558 Filter / Regulator – Miniature**

- Stainless steel construction handles most corrosive environments
- Large diaphragm to valve area ratio for precise regulation and high flow capacity
- 1/8" female threaded drain
- Meets NACE specifications MR-01-75/ISO 15156
- 1/4" port (NPT, BSPP)



PB548

PB558

Port size	Description	Part number
1/4"	Standard knob, NPT	<b>PB548-02DHCSS</b>
1/4"	Stainless steel, NPT	<b>PB558-02DHCSS</b>

**Operating information**

Operating pressure:  
 PB548 300 psig (20.7 bar)  
 PB558 300 psig (20.7 bar)  
 Auto pulse drain 10 to 175 psig (0 to 12 bar)

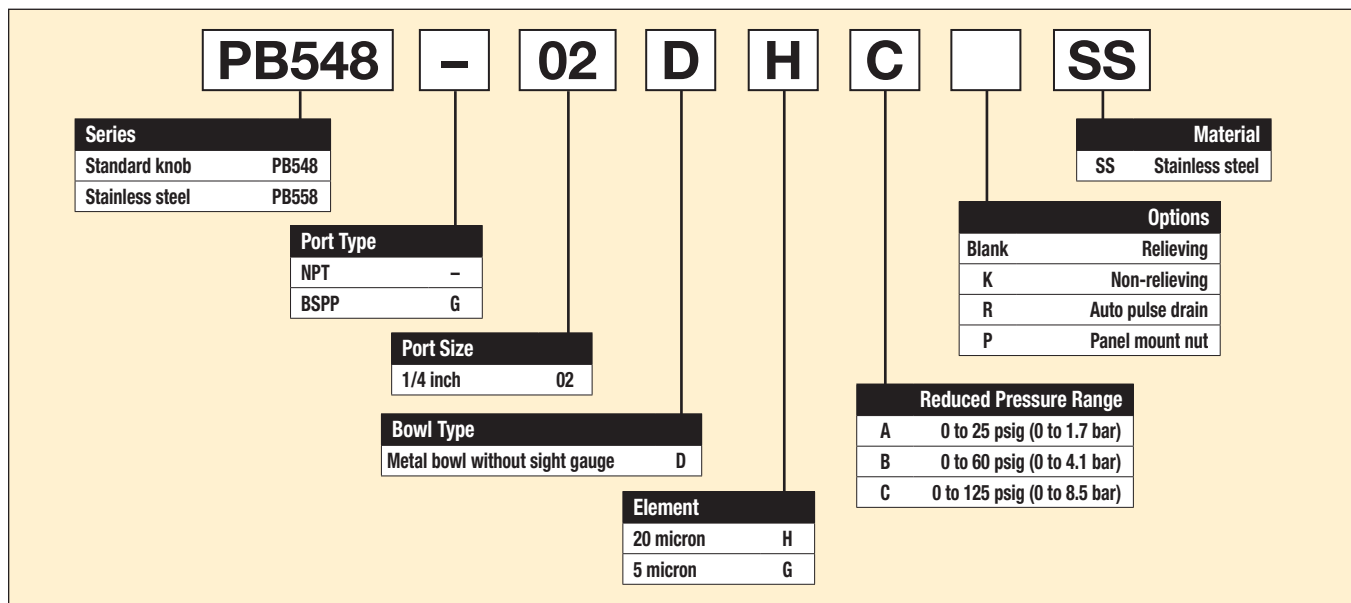
Operating temperature:  
 PB548 0°F to 150°F (-18°C to 66°C)  
 PB558 0°F to 180°F (-18°C to 82°C)  
 Auto pulse drain 32°F to 150°F (0°C to 66°C)

Flow capacity†: 12 scfm (5.7 dm<sup>3</sup>/s, ANR)  
 Bowl capacity: 1.0 oz.  
 Filter rating: 20 micron  
 Sump capacity: 0.4 oz.  
 Gauge port: 1/4 inch  
 Operation: Fluorocarbon diaphragm  
 Weight: 0.6 lb (0.27 kg)

**Note:** Air must be dry enough to avoid ice formation at temperatures below 32°F (0°C)

† scfm = Standard cubic feet per minute at 100 psig inlet, 75 psig no flow secondary setting and 15 psig pressure drop.

**Ordering information:**



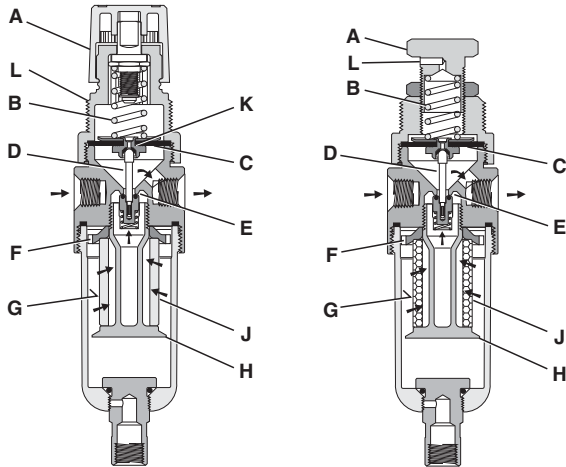
Most popular.



For inventory, lead times, and kit lookup, visit [www.pdnplu.com](http://www.pdnplu.com)

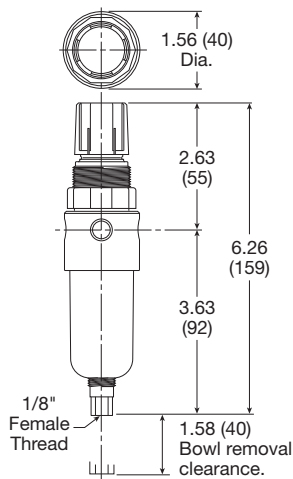
# Miniature Filter / Regulator

## Operation

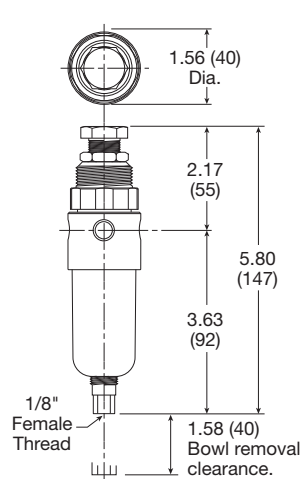


Turning the adjusting knob (A) clockwise applies a load to control spring (B) which forces diaphragm (C) and valve poppet assembly (D) to move downward allowing filtered air to flow through the seat area (E) created between the poppet assembly and the seat. "First stage filtration". Air pressure supplied to the inlet port is directed through deflector plate (F) causing a swirling centrifugal action forcing liquids and coarse particles to the inner bowl wall (G) and down below the lower baffle (H) to the quiet zone. After liquids and large particles are removed in the first stage of filtration "second stage filtration" occurs as air flows through element (J) where smaller particles are filtered out and retained. The air flow now passes through seat area (E) to the outlet port of the unit. Pressure in the downstream line is sensed below the diaphragm (C) and offsets the load of spring (B). When downstream pressure reaches the set-point, poppet valve assembly (D) and diaphragm (C) move upward closing seat area (E). Should downstream pressure exceed the desired regulated pressure, the excess pressure will cause the diaphragm (C) to move upward opening vent hole (K) venting the excess pressure to atmosphere through the hole in the bonnet (L). (This occurs in the standard relieving type filter/regulators only.)

### PB548



### PB558



Inches (mm)

# Air Preparation Products Stainless Steel

## Material Specifications

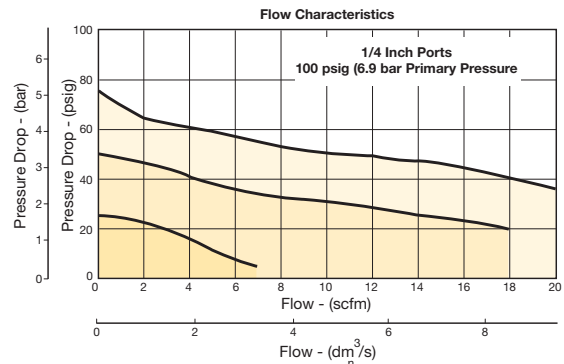
Adjustment mechanism / springs	316 stainless steel
Body	316 Stainless steel
Bonnet (PB548)	Acetal
Bonnet (PB558)	316 stainless steel
Bottom plug	316 stainless steel
Knob (PB548)	Polypropylene
Knob (PB558)	316 stainless steel
Poppet	316 stainless steel
Seals	Fluorocarbon

## Repair and Service Kits

PB558 bonnet kit (knob included)	<b>CKR354YSS</b>
PB548 bonnet kit (knob included)	<b>CKR364Y-1SS</b>
Automatic pulse drain	<b>RK504SY-SS</b>
Manual twist drain (small, old)	<b>SA600Y7-1SS</b>
Manual twist drain (large, new)	<b>SAP05481</b>
5 micron element	<b>EK504VY</b>
20 micron element	<b>EK504Y</b>
1-1/2" face 160 psig (0 to 1100 kPa), gauge (stainless)	<b>K4515N14160SS</b>
Panel mount bracket (stainless)	<b>161X57-SS</b>
Panel mount nut, stainless	<b>R05X51-SS</b>
Panel mount nut, plastic	<b>R05X51-P</b>
Pipe nipple, 1/4" 316 stainless steel	<b>1/4 FF-SS</b>
Relieving	<b>RK549YSS</b>
Non-relieving	<b>RK548YSS</b>
0-25 psig spring	<b>SPR-375-2-SS</b>
0-60 psig spring	<b>SPR-376-1-SS</b>
0-125 psig spring	<b>SPR-377-1-SS</b>

## Flow Charts

### PB548, PB558 1/4" Filter / Regulator



**⚠ WARNING**

**Product rupture can cause serious injury.  
Do not connect regulator to bottled gas.  
Do not exceed Maximum primary pressure rating.**

### CAUTION:

**REGULATOR PRESSURE ADJUSTMENT** – The working range of knob adjustment is designed to permit outlet pressures within their full range. Pressure adjustment beyond this range is also possible because the knob is not a limiting device. This is a common characteristic of most industrial regulators, and limiting devices may be obtained only by special design. For best performance, regulated pressure should always be set by increasing the pressure up to the desired setting.



For inventory, lead time, and kit lookup, visit [www.pdnplu.com](http://www.pdnplu.com)

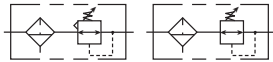
## PB11, PB12 Filter / Regulator – Standard

- Stainless steel construction handles most corrosive environments
- Large diaphragm to valve area ratio for precise regulation and high flow capacity
- 1/8" female threaded drain
- Meets NACE specifications MR-01-75/ISO-15156
- Low temperature version available
- 1/2" port (NPT, BSPP)



**PB11**

**PB12**



Port size	Description	Part number
With sight gauge, NPT		
1/2"	Standard knob, twist drain	<b>PB11-04WJCSS</b>
1/2"	Standard knob, auto float drain	<b>PB11-04WJCRSS</b>
1/2"	Stainless steel T-handle, twist drain	<b>PB12-04WJCSS</b>
1/2"	Stainless steel T-handle, auto float drain	<b>PB12-04WJCRSS</b>

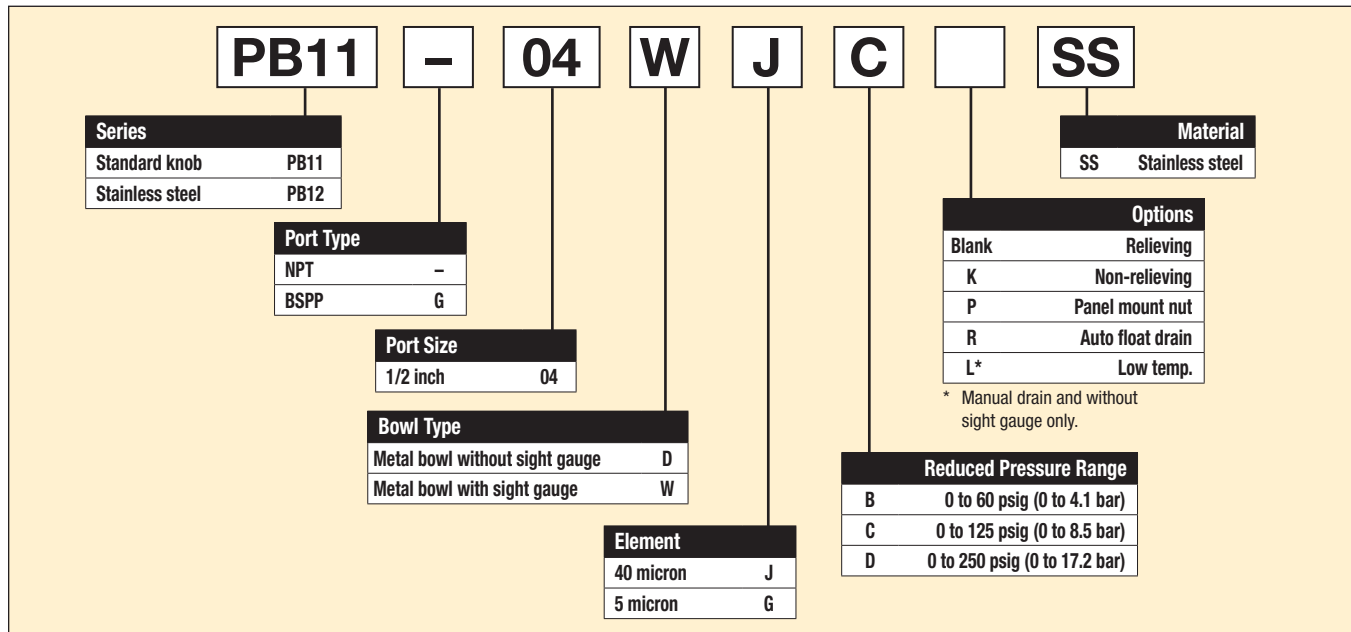
### Operating information

Operating pressure:	
PB11, PB12	300 psig (20.7 bar)
Auto float drain	15 to 175 psig (1 to 12 bar)
Operating temperature:	
PB11	0°F to 150°F (-18°C to 66°C)
PB12, no sight gauge	0°F to 180°F (-18°C to 82°C)
PB12, sight gauge	0°F to 150°F (-18°C to 66°C)
Auto float drain	32°F to 150°F (0°C to 66°C)
Flow capacity†:	72 scfm (34 dm³/s, ANR)
Bowl capacity:	4.0 oz.
Filter rating:	40 micron
Sump capacity:	1.7 oz.
Gauge port:	1/4 inch
Operation:	Fluorocarbon diaphragm
Weight:	2.42 lb (1.09 kg)

**Note: Air must be dry enough to avoid ice formation at temperatures below 32°F (0°C)**

† scfm = Standard cubic feet per minute at 100 psig inlet, 75 psig no flow secondary setting and 15 psig pressure drop.

### Ordering information:



Most popular.

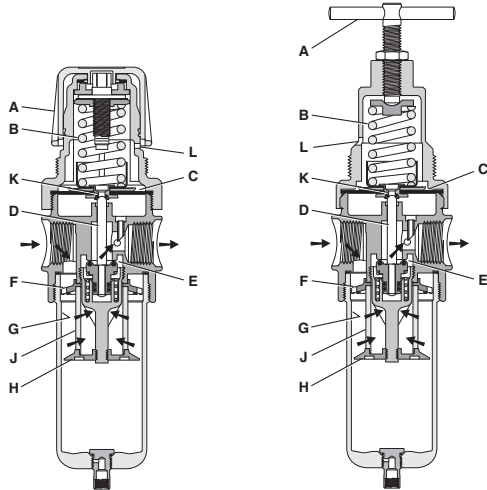


For inventory, lead times, and kit lookup, visit [www.pdnplu.com](http://www.pdnplu.com)



# Standard Filter / Regulator

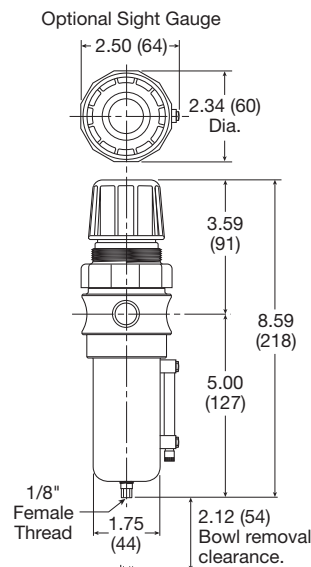
## Operation



Turning the adjusting knob / T-Handle (A) clockwise applies a load to control spring (B) which forces diaphragm (C) and valve poppet assembly (D) to move downward allowing filtered air to flow through the seat area (E) created between the poppet assembly and the seat. "First stage filtration". Air pressure supplied to the inlet port is directed through deflector plate (F) causing a swirling centrifugal action forcing liquids and coarse particles to the inner bowl wall (G) and down below the lower baffle (H) to the quiet zone. After liquids and large particles are removed in the first stage of filtration "second stage filtration" occurs as air flows through element (J) where smaller particles are filtered out and retained. The air flow now passes through seat area (E) to the outlet port of the unit. Pressure in the downstream line is sensed below the diaphragm (C) and offsets the load of spring (B). When downstream pressure reaches the set-point, poppet valve assembly (D) and diaphragm (C) move upward closing seat area (E). Should downstream pressure exceed the desired regulated pressure, the excess pressure will cause the diaphragm (C) to move upward opening vent hole (K) venting the excess pressure to atmosphere through the hole in the bonnet (L). (This occurs in the standard relieving type filter/regulators only.)

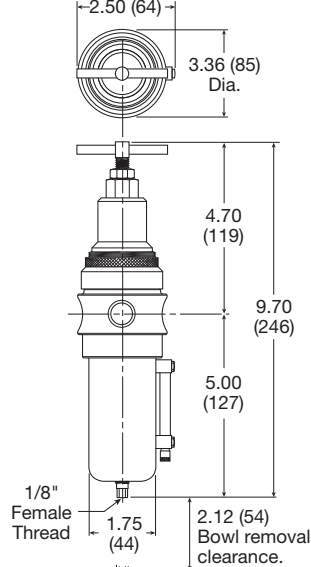
### PB11

Inches (mm)



### PB12

Optional Sight Gauge



# Air Preparation Products Stainless Steel

## Material Specifications

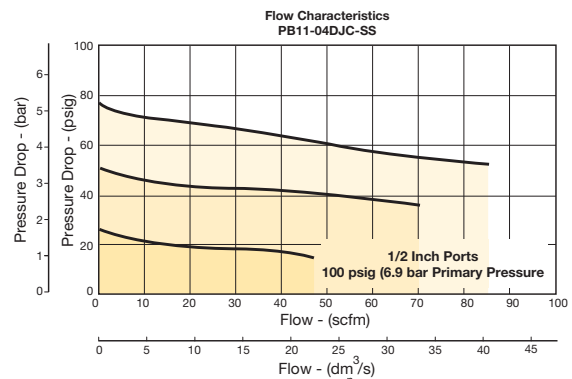
Adjustment mechanism / springs	316 stainless steel
Body	316 stainless steel
Bonnet / knob (PB11)	Acetal
Bonnet / tee handle (PB12)	316 stainless steel
Bottom plug	316 stainless steel
Poppet	316 stainless steel
Seals	Fluorocarbon
Sight gauge	Isoplast

## Repair and Service Kits

PB11 bonnet kit (knob included)	<b>CKR10YSS</b>
PB12 bonnet kit	<b>CKR11YSS</b>
Auto float drain	<b>SA10MDSS</b>
Manual twist drain (small, old)	<b>SA600Y7-1SS</b>
Manual twist drain (large, new)	<b>SAP05481</b>
40 micron element	<b>EKF10Y</b>
5 micron element	<b>EKF10VY</b>
2" face 160 psig (0 to 1100 kPa), gauge (stainless)	<b>K4520N14160SS</b>
Panel mount bracket (stainless)	<b>R10Y57-SS</b>
Panel mount nut, stainless	<b>R10X51-SS</b>
Panel mount nut, plastic	<b>R10X51-P</b>
Pipe nipple, 1/2" 316 stainless steel	<b>616A28-SS</b>
Relieving	<b>RKR10YSS</b>
Non-relieving	<b>RKR10KYSS</b>
0-60 psig spring	<b>SPR-388-1-SS</b>
0-125 psig spring	<b>SPR-389-1-SS</b>
0-250 psig spring	<b>SPR-390-1-SS</b>

## Flow Charts

### PB11 1/2" Filter / Regulator



**⚠ WARNING**

**Product rupture can cause serious injury.  
Do not connect regulator to bottled gas.  
Do not exceed Maximum primary pressure rating.**

### CAUTION:

**REGULATOR PRESSURE ADJUSTMENT** – The working range of knob adjustment is designed to permit outlet pressures within their full range. Pressure adjustment beyond this range is also possible because the knob is not a limiting device. This is a common characteristic of most industrial regulators, and limiting devices may be obtained only by special design. For best performance, regulated pressure should always be set by increasing the pressure up to the desired setting.



For inventory, lead time, and kit lookup, visit [www.pdnplu.com](http://www.pdnplu.com)



Stainless Steel  
Products

Filters

Coalescers

Regulators

Filter /  
Regulators

Lubricators

## PL10 Lubricators – Standard

- Stainless steel construction handles most corrosive environments
- 1/8" female threaded drain
- Fillable under pressure
- Meets NACE specifications MR-01-75/ISO 15156
- 1/2" port (NPT, BSPP)



Port size	Description	Part number
1/2"	Twist drain, with sight gauge, NPT	<b>PL10-04WSS</b>
1/2"	Twist drain, without sight gauge, NPT	<b>PL10-04DSS</b>

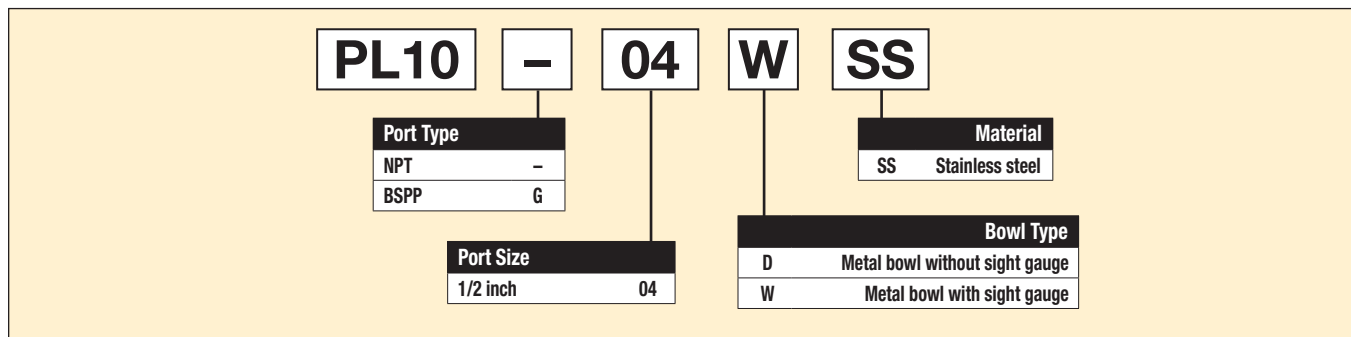
### Operating information

Operating pressure:	
Metal bowl, no sight gauge	0 to 300 psig (0 to 20.7 bar)
Metal bowl, sight gauge	0 to 250 psig (0 to 17.2 bar)
Operating temperature:	
Metal bowl, no sight gauge	0°F to 150°F (-18°C to 66°C)
Metal bowl, sight gauge	0°F to 150°F (-18°C to 66°C)
Flow capacity†:	100 scfm (47.2 dm <sup>3</sup> /s, ANR)
Bowl capacity:	4.0 oz.
Weight:	1.9 lb (0.85 kg)

**Note:** Air must be dry enough to avoid ice formation at temperatures below 32°F (0°C)

† scfm = Standard cubic feet per minute at 90 psig inlet and 5 psig pressure drop.

### Ordering information:



Most popular.



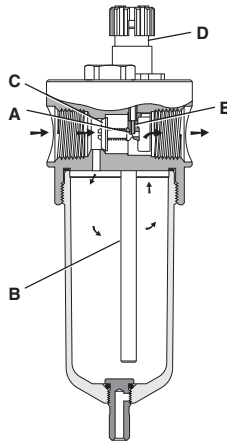
For inventory, lead times, and kit lookup, visit [www.pdnplu.com](http://www.pdnplu.com)

F18

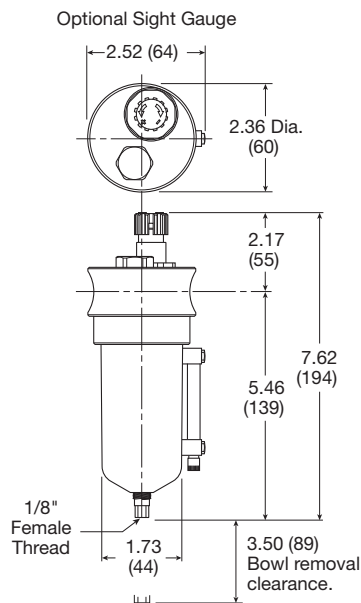
**Parker Hannifin Corporation**  
 Pneumatic Division  
 Richland, Michigan  
[www.parker.com/pneumatics](http://www.parker.com/pneumatics)

# Standard Lubricator

## Operation



Air flowing through the unit goes through two paths. At low flow rates the majority of the air flows through the Venturi section (A). The rest of the air opens the check valve (C). The velocity of the air flowing through the Venturi section (A) creates a pressure drop. This lower pressure allows the oil to be forced from the reservoir through the pickup tube (B) and travels up to the metering screw (D). The rate of oil delivery is then controlled by adjusting the metering screw (D). Oil flows past the metering screw (D) and forms a drop in the nozzle tube (E). As the oil drops through the dome (F) and back into the Venturi section (A), it is broken up into fine particles. It is then mixed with the air flowing past the check valve (C) and is carried downstream. As the air flow increases the check valve (C) will open more fully. This additional flow will assure that the oil delivery rate will increase linearly with the increase of air flow.



Inches (mm)

# Air Preparation Products Stainless Steel

## Material Specifications

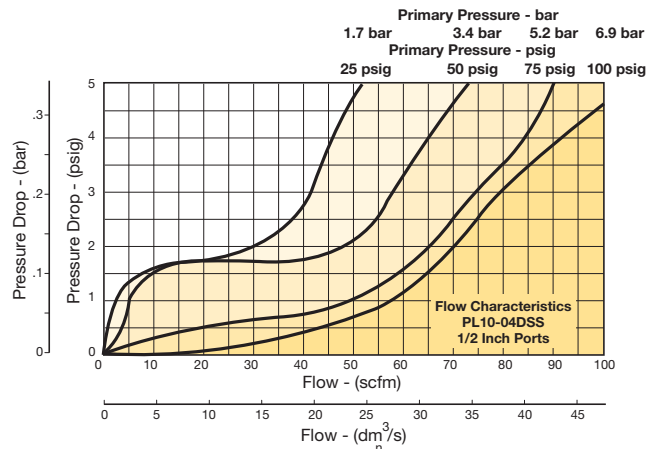
Body	316 stainless steel
Bowl	316 stainless steel
Dip tube	316 stainless steel
Drain	316 stainless steel
Fill plug	316 stainless steel
Seals	Fluorocarbon
Sight dome	Nylon
Sight gauge	Isoplast

## Repair and Service Kits

Manual twist drain (small, old)	<b>SA600Y7-1SS</b>
Manual twist drain (large, new)	<b>SAP05481</b>
Pipe nipple, 1/2" 316 stainless steel	<b>616A28-SS</b>
Sight dome kit, (old)	<b>RKL10SS</b>
Sight dome kit, (new)	<b>PS740N</b>

## Flow Charts

### PL10 1/2" Lubricator



For inventory, lead time, and kit lookup, visit [www.pdnplu.com](http://www.pdnplu.com)



Stainless Steel  
Products



For inventory, lead times, and kit  
lookup, visit [www.pdnplu.com](http://www.pdnplu.com)

F20

**Parker Hannifin Corporation**  
Pneumatic Division  
Richland, Michigan  
[www.parker.com/pneumatics](http://www.parker.com/pneumatics)



**Air Preparation Products**  
**P3N Series**

<a href="#">P3NF Particulate Filters</a>	G2-G3
<a href="#">P3NF Coalescing Filters</a>	G4-G5
<a href="#">P3NR Regulators</a>	G6-G7
<a href="#">P3NR Pilot Controlled Regulators</a>	G8-G9
<a href="#">P3NE Filter / Regulators</a>	G10-G11
<a href="#">P3NL Lubricators</a>	G12-G13
<a href="#">P3NC Modular Combinations</a>	G14-G15

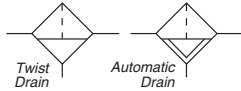
P3N Products



For inventory, lead time, and kit lookup, visit [www.pdnplu.com](http://www.pdnplu.com)

**P3NF Particulate Filters – Hi-Flow**

- Port blocks (PB) available to provide 1-1/2" port extension to 1" ported bodies
- Excellent water removal efficiency
- Metal bowl with sight gauge
- Large filter element surface guarantees low pressure drop and increased element life
- Twist drain as standard, optional auto float drain
- 3/4", 1", 1-1/2" port, NPT & BSPP



Port size	Description	Part number
3/4"	Metal bowl, sight gauge, twist drain	<b>P3NFA96GSM</b>
3/4"	Metal bowl, sight gauge, auto float drain	<b>P3NFA96GSA</b>
1"	Metal bowl, sight gauge, twist drain	<b>P3NFA98GSM</b>
1"	Metal bowl, sight gauge, auto float drain	<b>P3NFA98GSA</b>
1-1/2" #	Metal bowl, sight gauge, twist drain	<b>P3NFA9PGSM</b>
1-1/2" #	Metal bowl, sight gauge, auto float drain	<b>P3NFA9PGSA</b>

# 1" port body with 1-1/2" port block.

**Operating information**

Supply pressure (max):	0 to 250 psig (0 to 17.2 bar)	
Operating temperature:	32°F to 175°F (0°C to 80°C)	
Flow capacity†:		
High flow	3/4"	270 scfm (127.4 dm <sup>3</sup> /s, ANR)
	1"	300 scfm (141.6 dm <sup>3</sup> /s, ANR)
	1-1/2"	300 scfm (141.6 dm <sup>3</sup> /s, ANR)
Bowl capacity:	18.0 oz.	
Sump capacity:	6.8 oz.	
Weight:	3/4", 1"	3.5 lb (1.6 kg)
	1-1/2" #	4.6 lb (2.1 kg)

† scfm = Standard cubic feet per minute at 90 psig inlet and 5 psig pressure drop, with 40 micron element.

# 1" port body with 1-1/2" port block

**Ordering information:**

**P3N F A 9 8 G S M**

<b>Engineering Level</b>	Current	A
<b>Port Type</b>	G thread (BSPP) female	1*
	NPT female	9
* 3/4 & 1 inch meets ISO 1179-1 standard.		
<b>Port Size</b>	3/4" (w/o port blocks)	6
	1" (w/o port blocks)	8
	1-1/2" port blocks (w/ 1" ported body)	P
<b>Drain</b>	M	Twist drain
	A	Auto float drain
<b>Bowl</b>	S	Metal bowl with sight gauge
<b>Element</b>	G	40 micron

Note: BSPP ported units supplied using NPT ported bodies and BSPP port block kits.

Most popular.



For inventory, lead times, and kit lookup, visit [www.pdnplu.com](http://www.pdnplu.com)

# Hi-Flow Particulate Filters

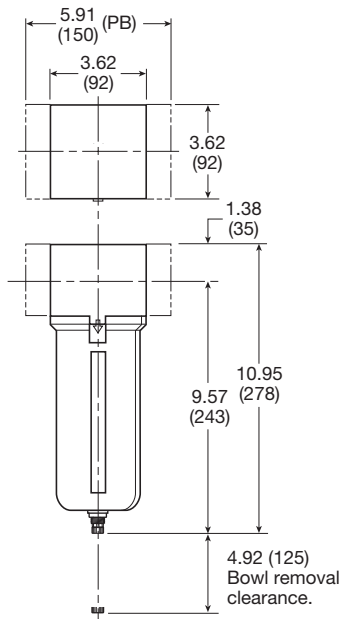
## Material Specifications

Body, bowl	Aluminum
Deflector	Plastic
Drain	Plastic
Element	Plastic
Adsorber (optional)	Activated charcoal
Seals	Nitrile
Sight gauge	Polyamide (nylon)

## Repair and Service Kits

Metal bowl / sight gauge / auto float drain	<b>P3NKA00BSA</b>
Metal bowl / sight gauge / twist drain	<b>P3NKA00BSM</b>
Bowl latch kit	<b>C11A33</b>
DPI replacement kit	<b>PS781P</b>
Automatic float drain	<b>PS506P</b>
Twist drain	<b>PS512P</b>
40 micron element	<b>P3NKA00ESG</b>
5 micron element	<b>P3NKA00ESE</b>
Adsorber element	<b>P3NKA00ESA</b>
Mounting bracket kit*	<b>P3NKA00MW</b>
Sight gauge kit	<b>P3NKA00PE</b>

\* If 1-1/2 BSPP E02 fittings are required, use P3NKA00BMW.

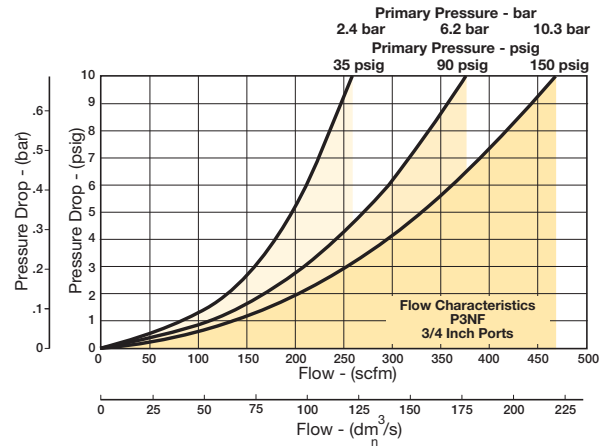


# Air Preparation Products

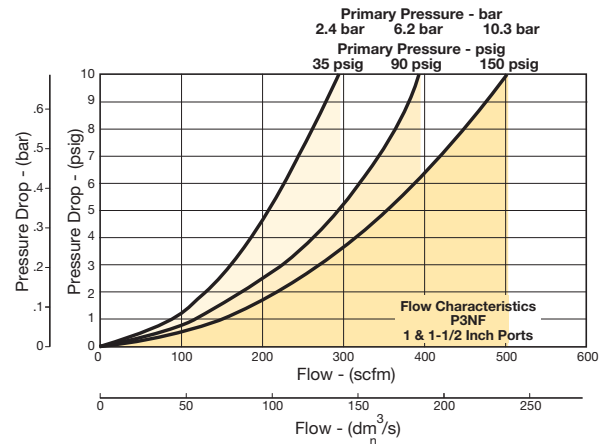
## P3N Products

## Flow Charts

### P3NF 3/4" Particulate Filter



### P3NF 1" & 1-1/2" Particulate Filter



P3N Products



Filters

Coalescers

Regulators

Filter / Regulators

Lubricators

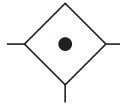
Combinations



For inventory, lead time, and kit lookup, visit [www.pdnplu.com](http://www.pdnplu.com)

**P3NF Coalescing Filters – Hi-Flow**

- Port blocks (PB) available to provide 1-1/2" port extension to 1" ported bodies
- Metal bowl with sight gauge
- Large filter element surface guarantees low pressure drop and increased element life
- Twist Drain as standard, optional automatic float drain
- 3/4", 1", 1-1/2" # ports (NPT, BSPP)



Port size	Description	Part number
3/4"	Metal bowl, sight gauge, twist drain	<b>P3NFA96DSM</b>
3/4"	Metal bowl, sight gauge, auto float drain	<b>P3NFA96DSA</b>
1"	Metal bowl, sight gauge, twist drain	<b>P3NFA98DSM</b>
1"	Metal bowl, sight gauge, auto float drain	<b>P3NFA98DSA</b>
1-1/2" #	Metal bowl, sight gauge, twist drain	<b>P3NFA9PDSM</b>
1-1/2" #	Metal bowl, sight gauge, auto float drain	<b>P3NFA9PDSA</b>

Standard part numbers shown bold, with Grade 6 Elements. For other models refer to ordering information below.

# 1" port body with 1-1/2" port block.

**Operating information**

Supply pressure (max):	0 to 250 psig (0 to 17.2 bar)
Auto float drain	15 to 250 psig (1.0 to 17.2 bar)
Operating temperature:	32°F to 175°F (0°C to 80°C)
Flow capacity†:	
High flow	3/4" 130 scfm (61 dm <sup>3</sup> /s, ANR)
	1" 140 scfm (66 dm <sup>3</sup> /s, ANR)
	1-1/2" 140 scfm (66 dm <sup>3</sup> /s, ANR)
Bowl capacity:	18.0 oz.
Sump capacity:	6.8 oz.
Weight:	3/4", 1" 3.5 lb (1.6 kg)
	1-1/2" # 4.6 lb (2.1 kg)

† scfm = Standard cubic feet per minute at 90 psig inlet and 5 psig pressure drop

# 1" port body with 1-1/2" port block

**Ordering information:**

P3N
F
A
9
8
D
S
M

<p><b>Engineering Level</b></p> <table border="1" style="width: 100%;"> <tr><td>Current</td><td>A</td></tr> </table> <p><b>Port Type</b></p> <table border="1" style="width: 100%;"> <tr><td>G thread (BSPP) female</td><td>1*</td></tr> <tr><td>NPT female</td><td>9</td></tr> </table> <p><small>* 3/4 &amp; 1 inch meets ISO 1179-1 standard.</small></p> <p><b>Port Size</b></p> <table border="1" style="width: 100%;"> <tr><td>3/4" (w/o port blocks)</td><td>6</td></tr> <tr><td>1" (w/o port blocks)</td><td>8</td></tr> <tr><td>1-1/2" port blocks (w/ 1" ported body)</td><td>P</td></tr> </table>	Current	A	G thread (BSPP) female	1*	NPT female	9	3/4" (w/o port blocks)	6	1" (w/o port blocks)	8	1-1/2" port blocks (w/ 1" ported body)	P	<p><b>Drain</b></p> <table border="1" style="width: 100%;"> <tr><td>M</td><td>Twist drain</td></tr> <tr><td>A</td><td>Auto float drain</td></tr> </table> <p><b>Bowl</b></p> <table border="1" style="width: 100%;"> <tr><td>S</td><td>Metal bowl with sight gauge</td></tr> </table> <p><b>Element</b></p> <table border="1" style="width: 100%;"> <tr><td>D</td><td>Grade 6 with DPI indicator</td></tr> </table>	M	Twist drain	A	Auto float drain	S	Metal bowl with sight gauge	D	Grade 6 with DPI indicator
Current	A																				
G thread (BSPP) female	1*																				
NPT female	9																				
3/4" (w/o port blocks)	6																				
1" (w/o port blocks)	8																				
1-1/2" port blocks (w/ 1" ported body)	P																				
M	Twist drain																				
A	Auto float drain																				
S	Metal bowl with sight gauge																				
D	Grade 6 with DPI indicator																				

Note: BSPP ported units supplied using NPT ported bodies and BSPP port block kits.

Most popular.



For inventory, lead times, and kit lookup, visit [www.pdnplu.com](http://www.pdnplu.com)



# Hi-Flow Coalescing Filters

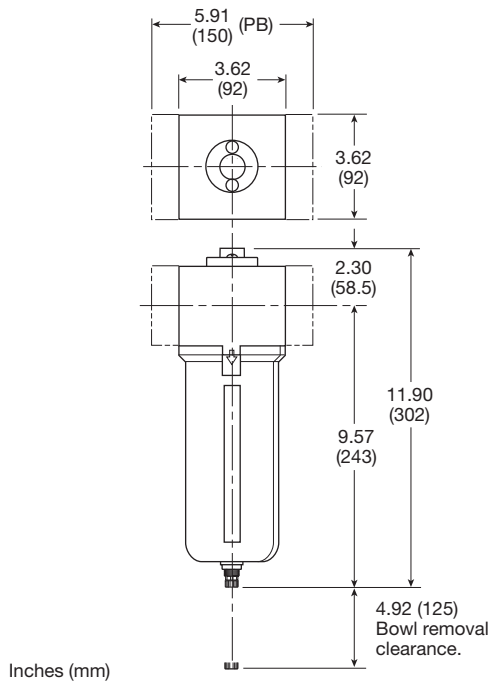
## Material Specifications

Body, bowl	Aluminum
Deflector	Plastic
Drain	Plastic
Element	Borosilicate & felt glass fibers
Largest aerosol particle passed (Grade 6)	0.01 micron
Largest solid particle passed (Grade 6)	0.30 micron
Seals	Nitrile
Sight gauge	Polyamide (nylon)

## Repair and Service Kits

Metal bowl / sight gauge / automatic float drain	<b>P3NKA00BSA</b>
Metal bowl / sight gauge / twist drain	<b>P3NKA00BSM</b>
Bowl latch kit	<b>C11A33</b>
DPI replacement kit	<b>PS781P</b>
Automatic float drain kit	<b>PS506P</b>
Twist drain kit	<b>PS512P</b>
Grade 6 element (standard)	<b>P3NKA00ESCB</b>
Sight gauge kit	<b>P3NKA00PE</b>
Mounting bracket kit*	<b>P3NKA00MW</b>

\* If 1-1/2 BSPP E02 fittings are required, use P3NKA00BMW.



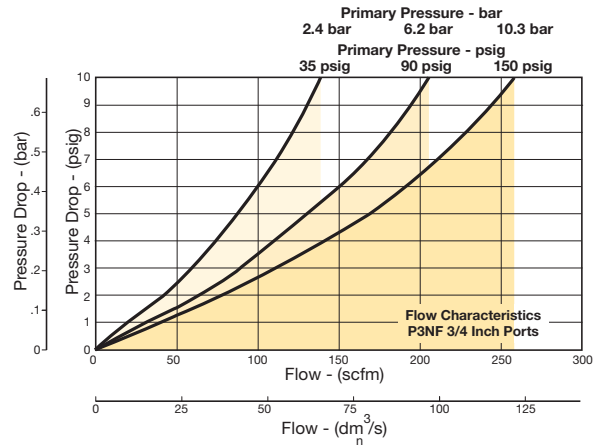
# Air Preparation Products

## P3N Products

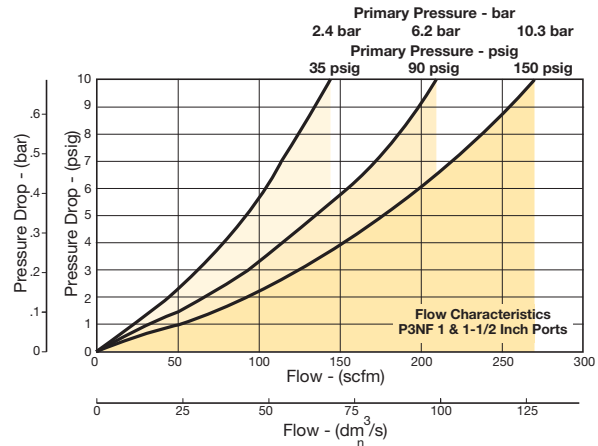
## Flow Charts

### Grade 6 Element

#### P3NF 3/4" Coalescing Filter



#### P3NF 1" & 1-1/2" Coalescing Filter



P3N Products



Filters

Coalescers

Regulators

Filter / Regulators

Lubricators

Combinations



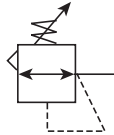
For inventory, lead time, and kit lookup, visit [www.pdnplu.com](http://www.pdnplu.com)

G5

**Parker Hannifin Corporation**  
Pneumatic Division  
Richland, Michigan  
[www.parker.com/pneumatics](http://www.parker.com/pneumatics)

## P3NR Regulators – Hi-Flow

- Port blocks (PB) available to provide 1-1/2" port extension to 1" ported bodies
- Self relieving feature plus balanced poppet provides quick response and accurate pressure regulation
- Solid control piston for extended life
- 3/4", 1", 1-1/2" ports (NPT, BSPP)



### Operating information

Supply pressure (max):	250 psig (17.2 bar)	
Operating temperature:	32°F to 175°F (0°C to 80°C)	
Flow capacity†:		
High flow	3/4"	200 scfm (94.4 dm³/s, ANR)
	1"	300 scfm (141.6 dm³/s, ANR)
	1-1/2"	300 scfm (141.6 dm³/s, ANR)
Gauge ports (2):	1/4 inch	
Weight:	3/4", 1"	4.2 lb (1.9 kg)
	1-1/2" #	5.3 lb (2.4 kg)

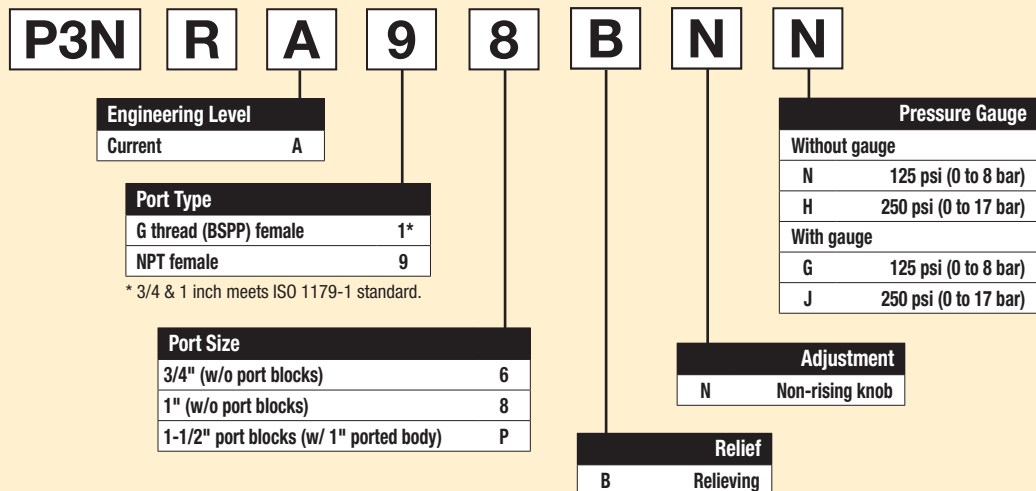
† scfm = Standard cubic feet per minute at 100 psig inlet, 90 psig no flow secondary setting and 10 psig pressure drop.

# 1" port body with 1-1/2" port block

Port size	Description	Part number
3/4"	Without gauge	<b>P3NRA96BNN</b>
3/4"	With 160 psi gauge	<b>P3NRA96BNG</b>
1"	Without gauge	<b>P3NRA98BNN</b>
1"	With 160 psi gauge	<b>P3NRA98BNG</b>
1-1/2" #	Without gauge	<b>P3NRA9PBNN</b>
1-1/2" #	With 160 psi gauge	<b>P3NRA9PBNG</b>

# 1" port body with 1-1/2" port block.  
 NOTE: 2.0 Dia. (51 mm) hole required for panel mounting.

### Ordering information:



Note: BSPP ported units supplied using NPT ported bodies and BSPP port block kits.

Most popular.



For inventory, lead times, and kit lookup, visit [www.pdnplu.com](http://www.pdnplu.com)

# Hi-Flow Regulators

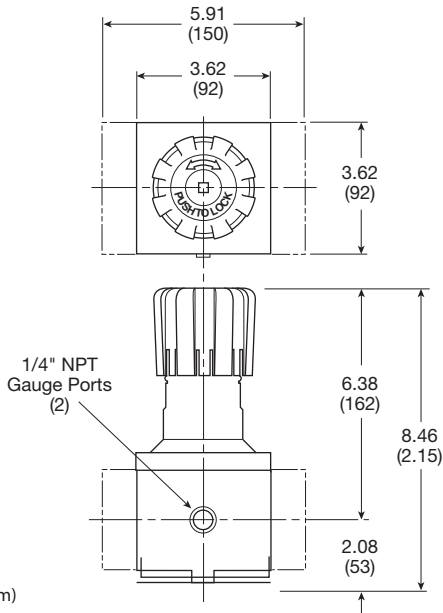
## Material Specifications

Adjusting stem	Steel
Body	Aluminum
Bonnet	Aluminum
Knob	Plastic
Piston	Plastic
Poppet assembly	Brass
Seals	Nitrile
Springs, poppet & control	Steel

## Repair and Service Kits

Control knob	<b>P3NKA00PN</b>
2" dial face 60 psig (0 to 4.1 bar), gauge	<b>K4520N14060</b>
2" dial face 160 psig (0 to 11.0 bar), gauge	<b>K4520N14160</b>
2" dial face 300 psig (0 to 20.7 bar), gauge	<b>K4520N14300</b>
1-3/4" digital round face 160 psig (0 to 11.0 bar), gauge	<b>K4517N14160D</b>
Mounting bracket kit*	<b>P3NKA00MW</b>
Relieving	<b>P3NKA00RR</b>
Non-relieving	<b>P3NKA00RN</b>
1-60 psig spring	<b>C10A1304</b>
2-125 psig spring	<b>C10A1308</b>
5-250 psig spring	<b>C10A1317</b>

\* If 1-1/2 BSPP E02 fittings are required, use P3NKA00BMW.

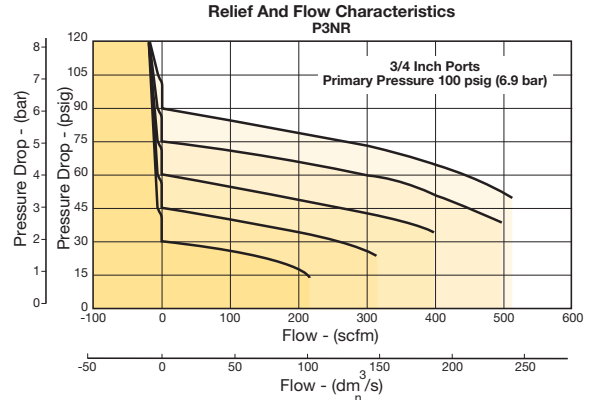


# Air Preparation Products

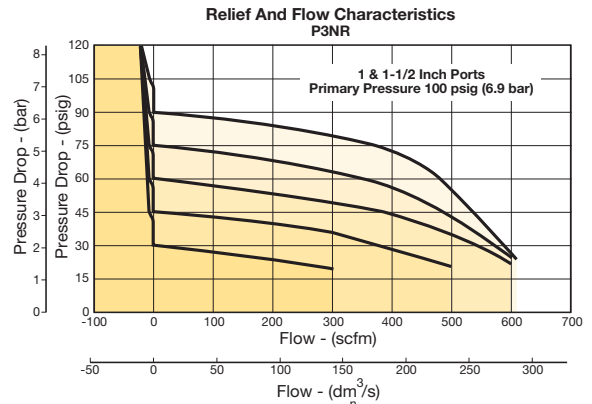
## P3N Products

## Flow Charts

### P3NR 3/4" Regulator



### P3NR 1" & 1-1/2" Regulator



**⚠ WARNING**  
Product rupture can cause serious injury.  
Do not connect regulator to bottled gas.  
Do not exceed Maximum primary pressure rating.

**CAUTION:**  
**REGULATOR PRESSURE ADJUSTMENT** – The working range of knob adjustment is designed to permit outlet pressures within their full range. Pressure adjustment beyond this range is also possible because the knob is not a limiting device. This is a common characteristic of most industrial regulators, and limiting devices may be obtained only by special design. For best performance, regulated pressure should always be set by increasing the pressure up to the desired setting.

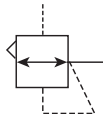


For inventory, lead time, and kit lookup, visit [www.pdnplu.com](http://www.pdnplu.com)

P3N Products
G
Filters
Coalescers
Regulators
Filter / Regulators
Lubricators
Combinations

## P3NR Pilot Controlled Regulator - Hi-Flow

- Port blocks (PB) available to provide 1-1/2" port extension to 1" ported bodies
- Self relieving feature plus balanced poppet provides quick response and accurate pressure regulation
- Solid control piston for extended life
- 3/4", 1" 1-1/2" ports (NPT, BSPP)



Port size	Description	Part number
3/4"	Without gauge	<b>P3NRA96BPP</b>
1"	Without gauge	<b>P3NRA98BPP</b>
1-1/2"#	Without gauge	<b>P3NRA9PBPP</b>

# 1" port body with 1-1/2" port block.

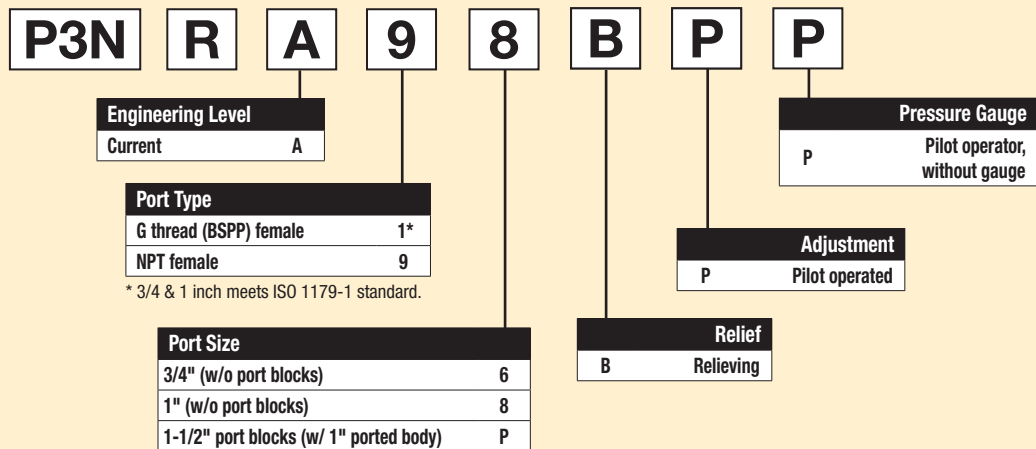
### Operating information

Supply pressure (max):	250 psig (17.2 bar)	
Operating temperature:	32°F to 175°F (0°C to 80°C)	
Flow capacity†:		
High flow	3/4"	300 scfm (141.6 dm <sup>3</sup> /s, ANR)
	1"	300 scfm (141.6 dm <sup>3</sup> /s, ANR)
	1-1/2"	350 scfm (165.2 dm <sup>3</sup> /s, ANR)
Gauge ports (2):	1/4 inch	
Weight:	3/4", 1"	3.3 lb (1.5 kg)
	1-1/2" #	4.4 lb (2.0 kg)

† scfm = Standard cubic feet per minute at 100 psig inlet, 90 psig no flow secondary setting and 10 psig pressure drop.

# 1" port body with 1-1/2" port block

### Ordering information:



Note: BSPP ported units supplied using NPT ported bodies and BSPP port block kits.

Most popular.



For inventory, lead times, and kit lookup, visit [www.pdnplu.com](http://www.pdnplu.com)

G8

**Parker Hannifin Corporation**  
Pneumatic Division  
Richland, Michigan  
[www.parker.com/pneumatics](http://www.parker.com/pneumatics)

# Hi-Flow Pilot Controlled Regulators

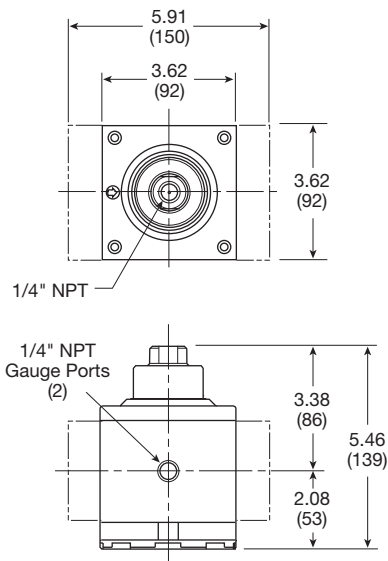
## Material Specifications

Adjusting stem	Steel
Body	Aluminum
Bonnet	Aluminum
Piston	Plastic
Poppet assembly	Brass
Seals	Nitrile
Springs – poppet	Steel

## Repair and Service Kits

2" dial face 60 psig (0 to 4.1 bar), gauge	<b>K4520N14060</b>
2" dial face 160 psig (0 to 11.0 bar), gauge	<b>K4520N14160</b>
2" dial face 300 psig (0 to 20.7 bar), gauge	<b>K4520N14300</b>
1-3/4" digital round face 160 psig (0 to 11.0 bar), gauge	<b>K4517N14160D</b>
Mounting bracket kit*	<b>P3NKA00MW</b>
Relieving	<b>P3NKA00PD</b>

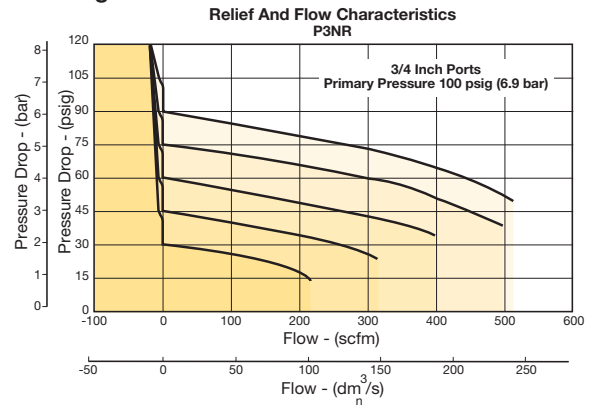
\* If 1-1/2 BSPP E02 fittings are required, use P3NKA00BMW.



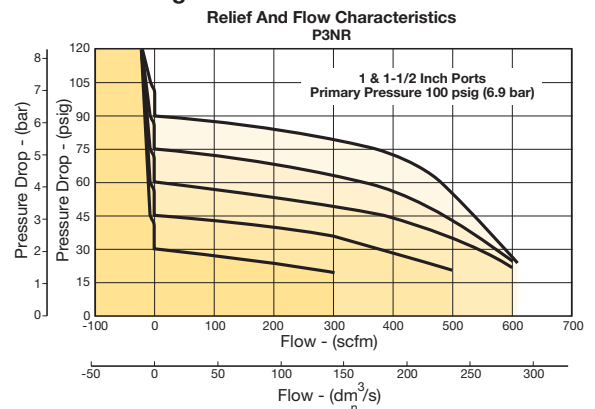
# Air Preparation Products P3N Products

## Flow Charts

### P3NR 3/4" Regulator



### P3NR 1" & 1-1/2" Regulator



**⚠ WARNING**  
Product rupture can cause serious injury.  
Do not connect regulator to bottled gas.  
Do not exceed Maximum primary pressure rating.

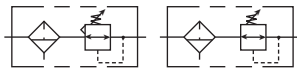
Inches (mm)



For inventory, lead time, and kit lookup, visit [www.pdnplu.com](http://www.pdnplu.com)

**P3NE Filter / Regulator – Hi-Flow**

- Port blocks (PB) available to provide 1-1/2" port extension to 1" ported bodies
- Excellent water removal efficiency
- Metal bowl with sight gauge
- Large filter element surface guarantees low pressure drop and increased element life
- Twist drain as standard, optional auto drain
- Self relieving feature plus balanced poppet provides quick response and accurate pressure regulation
- Solid control piston for extended life
- 3/4", 1", 1-1/2" # ports (NPT, BSPP)



Port size	Description	Part number
3/4"	Metal bowl, sight gauge, twist drain	<b>P3NEA96GSMBNN</b>
3/4"	Metal bowl, sight gauge, auto float drain	<b>P3NEA96GSABNN</b>
1"	Metal bowl, sight gauge, twist drain	<b>P3NEA98GSMBNN</b>
1"	Metal bowl, sight gauge, auto float drain	<b>P3NEA98GSABNN</b>
1-1/2" #	Metal bowl, sight gauge, twist drain	<b>P3NEA9PGSMBNN</b>
1-1/2" #	Metal bowl, sight gauge, auto float drain	<b>P3NEA9PGSABNN</b>

# 1" port body with 1-1/2" port block.

**Operating information**

Supply pressure (max):	0 to 250 psig (0 to 17.2 bar)	
Operating temperature:	32°F to 175°F (0°C to 80°C)	
Flow capacity†:		
High flow	3/4"	250 scfm (118 dm <sup>3</sup> /s, ANR)
	1"	250 scfm (118 dm <sup>3</sup> /s, ANR)
	1-1/2"	250 scfm (118 dm <sup>3</sup> /s, ANR)
Bowl capacity:	18.0 oz.	
Sump capacity:	6.8 oz.	
Weight:	3/4"	5.3 lb (2.4 kg)
	1"	5.3 lb (2.4 kg)
	1-1/2"	6.43 lb (2.9 kg)

† scfm = Standard cubic feet per minute at 90 psig inlet and 5 psig pressure drop with 40 micron element

# 1" port body with 1-1/2" port block

**Ordering information:**

**P3N E A 9 8 G S M B N N**

<b>Engineering Level</b> Current	<b>A</b>												
<b>Port Type</b>	<table border="1"> <tr> <td>G thread (BSPP) female</td> <td>1*</td> </tr> <tr> <td>NPT female</td> <td>9</td> </tr> </table>	G thread (BSPP) female	1*	NPT female	9								
G thread (BSPP) female	1*												
NPT female	9												
* 3/4 & 1 inch meets ISO 1179-1 standard.													
<b>Port Size</b>	<table border="1"> <tr> <td>3/4" (w/o port blocks)</td> <td>6</td> </tr> <tr> <td>1" (w/o port blocks)</td> <td>8</td> </tr> <tr> <td>1-1/2" port blocks (w/ 1" ported body)</td> <td>P</td> </tr> </table>	3/4" (w/o port blocks)	6	1" (w/o port blocks)	8	1-1/2" port blocks (w/ 1" ported body)	P						
3/4" (w/o port blocks)	6												
1" (w/o port blocks)	8												
1-1/2" port blocks (w/ 1" ported body)	P												
<b>Element</b>	40 micron <b>G</b>												
<b>Adjustment</b>	<b>N</b> Non-rising knob												
<b>Relief</b>	<b>B</b> Relieving												
<b>Drains</b>	<table border="1"> <tr> <td>M</td> <td>Twist drain</td> </tr> <tr> <td>A</td> <td>Auto float drain</td> </tr> </table>	M	Twist drain	A	Auto float drain								
M	Twist drain												
A	Auto float drain												
<b>Bowl</b>	<b>S</b> Metal bowl with sight gauge												
<b>Port Type</b>	<table border="1"> <tr> <td colspan="2"><b>Without gauge</b></td> </tr> <tr> <td>N</td> <td>125 psi (0 to 8 bar)</td> </tr> <tr> <td>H</td> <td>250 psi (0 to 17 bar)</td> </tr> <tr> <td colspan="2"><b>With gauge</b></td> </tr> <tr> <td>G</td> <td>125 psi (0 to 8 bar)</td> </tr> <tr> <td>J</td> <td>250 psi (0 to 17 bar)</td> </tr> </table>	<b>Without gauge</b>		N	125 psi (0 to 8 bar)	H	250 psi (0 to 17 bar)	<b>With gauge</b>		G	125 psi (0 to 8 bar)	J	250 psi (0 to 17 bar)
<b>Without gauge</b>													
N	125 psi (0 to 8 bar)												
H	250 psi (0 to 17 bar)												
<b>With gauge</b>													
G	125 psi (0 to 8 bar)												
J	250 psi (0 to 17 bar)												

Note: BSPP ported units supplied using NPT ported bodies and BSPP port block kits.

Most popular.



For inventory, lead times, and kit lookup, visit [www.pdnplu.com](http://www.pdnplu.com)

G10

**Parker Hannifin Corporation**  
Pneumatic Division  
Richland, Michigan  
[www.parker.com/pneumatics](http://www.parker.com/pneumatics)

# Hi-Flow Filter / Regulators

## Material Specifications

Adjusting stem	Steel
Body, bonnet, bowl	Aluminum
Drain	Plastic
40 micron element (standard)	Plastic
5 micron element (optional)	Plastic
Adsorber element (optional)	Activated charcoal
Knob	Plastic
Piston	Plastic
Seals	Nitrile
Sight gauge	Polyamide (nylon)
Poppet & control, spring	Steel

## Repair and Service Kits

Metal bowl, sight gauge / auto float drain	<b>P3NKA00BSA</b>
Metal bowl, sight gauge / twist drain	<b>P3NKA00BSM</b>
Bowl latch kit	<b>C11A33</b>
Control knob	<b>P3NKA00PN</b>
Auto float drain	<b>PS506P</b>
Twist drain	<b>PS512P</b>
40 micron element	<b>P3NKA00ESG</b>
5 micron element	<b>P3NKA00ESE</b>
Adsorber element	<b>P3NKA00ESA</b>
2" dial face 60 psig (0 to 4.1 bar), gauge	<b>K4520N14060</b>
2" dial face 160 psig (0 to 11.0 bar), gauge	<b>K4520N14160</b>
2" dial face 300 psig (0 to 20.7 bar), gauge	<b>K4520N14300</b>
1-3/4" digital round face 160 psig (0 to 11.0 bar), gauge	<b>K4517N14160D</b>
Mounting bracket kit*	<b>P3NKA00MW</b>
Relieving	<b>P3NKA00RR</b>
Non-relieving	<b>P3NKA00RN</b>
Sight gauge kit	<b>P3NKA00PE</b>
1-60 psig spring	<b>C10A1304</b>
2-125 psig spring	<b>C10A1308</b>
5-250 psig spring	<b>C10A1317</b>

\* If 1-1/2 BSPP E02 fittings are required, use P3NKA00BMW.

### WARNING

**Product rupture can cause serious injury.  
Do not connect regulator to bottled gas.  
Do not exceed Maximum primary pressure rating.**

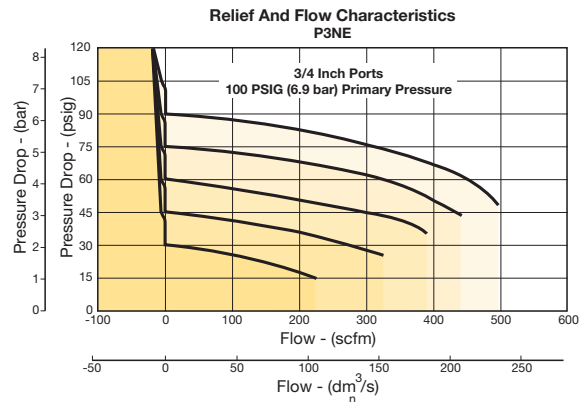
### CAUTION:

**REGULATOR PRESSURE ADJUSTMENT** – The working range of knob adjustment is designed to permit outlet pressures within their full range. Pressure adjustment beyond this range is also possible because the knob is not a limiting device. This is a common characteristic of most industrial regulators, and limiting devices may be obtained only by special design. For best performance, regulated pressure should always be set by increasing the pressure up to the desired setting.

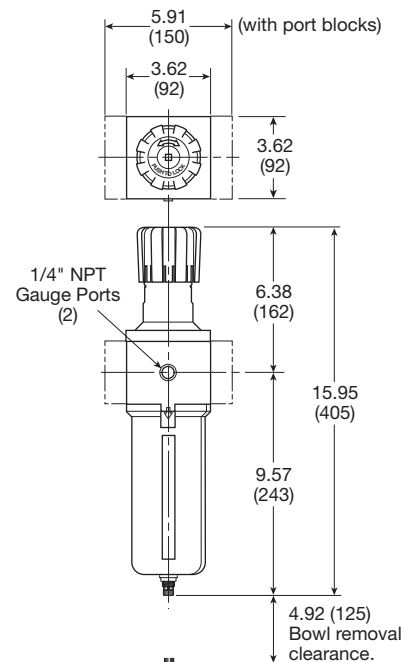
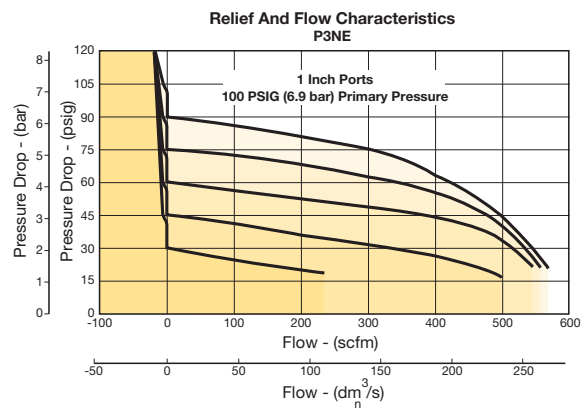
# Air Preparation Products P3N Products

## Flow Charts

### P3NE 3/4" Filter / Regulator



### P3NE 1" & 1-1/2" Filter / Regulator



Inches (mm)



For inventory, lead time, and kit lookup, visit [www.pdnplu.com](http://www.pdnplu.com)

**P3NL Mist Lubricators – Hi-Flow**

- Port blocks (PB) available to provide 1-1/2" port extension to 1" ported bodies
- Proportional oil delivery over a wide range of air flows
- Bowl can be filled while air line is under pressure
- Transparent sight dome for 360° visibility
- Integral 3/4", 1" ports (NPT, BSPP)



Port size	Description	Part number
3/4"	Metal bowl, sight gauge, no drain	<b>P3NLA96LSN</b>
1"	Metal bowl, sight gauge, no drain	<b>P3NLA98LSN</b>
1-1/2" #	Metal bowl, sight gauge, no drain	<b>P3NLA9PLSN</b>

# 1" Port Body with 1-1/2" Port Block.

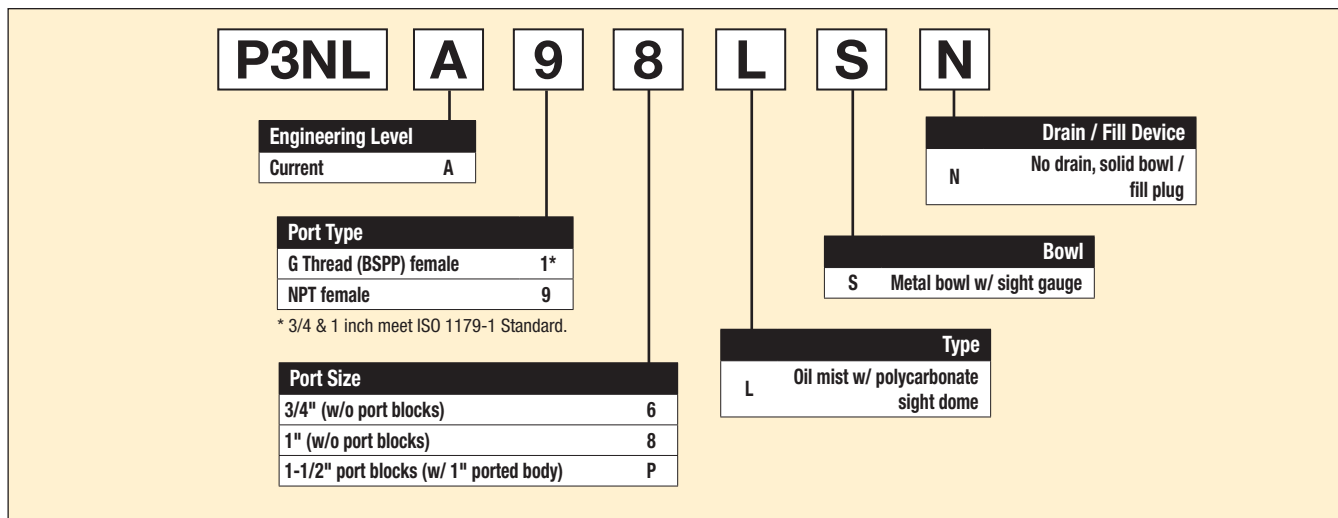
**Operating information**

Supply pressure (max):	250 psig (17.2 bar)
Operating temperature:	32°F to 175°F (0°C to 80°C)
Flow capacity†:	
High flow	3/4" 240 scfm (113.3 dm³/s, ANR)
	1" 250 scfm (118 dm³/s, ANR)
	1-1/2" 260 scfm (122.7 dm³/s, ANR)
Minimum flow	6.6 scfm (3.1 dm³/s, ANR) at 100 psig (6.9 bar)
Bowl capacity:	18.0 oz.
Weight:	3/4", 1" 3.5 lb (1.6 kg)
	1-1/2" # 4.6 lb (2.1 kg)

† scfm = Standard cubic feet per minute at 90 psig inlet and 5 psig pressure drop.

# 1" port body with 1-1/2 port block

**Ordering information:**



**Note:** All configured BSPP ported units are supplied using NPT ported bodies and BSPP port block kits.

**Suggested Lubricant** .....F442 Oil

Petroleum based oil of 100 to 200 SUS viscosity at 100°F (38°C) and an aniline point greater than 200°F (93°C)  
(DO NOT USE OILS WITH ADDITIVES, COMPOUNDED OILS CONTAINING SOLVENTS, GRAPHITE, DETERGENTS, OR SYNTHETIC OILS.)

Most popular.



For inventory, lead times, and kit lookup, visit [www.pdnplu.com](http://www.pdnplu.com)

G12

**Parker Hannifin Corporation**  
Pneumatic Division  
Richland, Michigan  
[www.parker.com/pneumatics](http://www.parker.com/pneumatics)



# Hi-Flow Mist Lubricators

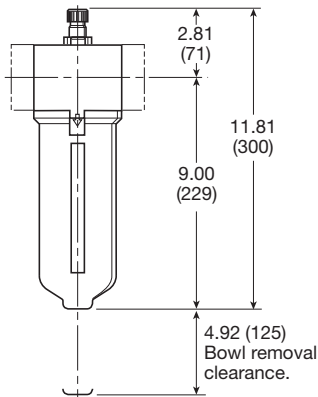
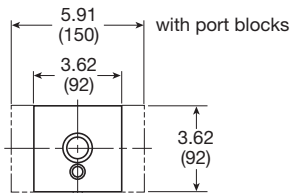
## Material Specifications

Body, bowl	Aluminum
Injector meter block & base assembly	Plastic
Seals	Nitrile
Sight dome	Polycarbonate
Sight gauge	Polyamide (nylon)

## Repair and Service Kits

Adjustment knob	<b>P04121</b>
Metal bowl / sight gauge / twist drain	<b>P3NKA00BSM</b>
Metal bowl / sight gauge / no drain	<b>P3NKA00BSN</b>
Bowl latch kit	<b>C11A33</b>
Twist drain kit	<b>PS512P</b>
Fill cap kit	<b>P3NKA00PL</b>
Sight dome kit, polycarbonate	<b>PS740P</b>
Sight dome kit, nylon	<b>PS740N</b>
Sight gauge kit	<b>P3NKA00PE</b>
Pressure fill adapter kit	<b>P3NKA00PK</b>
Service kit	<b>P3NKA00RL</b>
Mounting bracket kit*	<b>P3NKA00MW</b>
Oil (1 quart)	<b>F442001</b>
Oil (1 gallon)	<b>F442002</b>
Oil (12 quart case)	<b>F442003</b>
Oil (4 gallon case)	<b>F442005</b>

\* If 1-1/2 BSPP E02 fittings are required, use P3NKA00BMW.

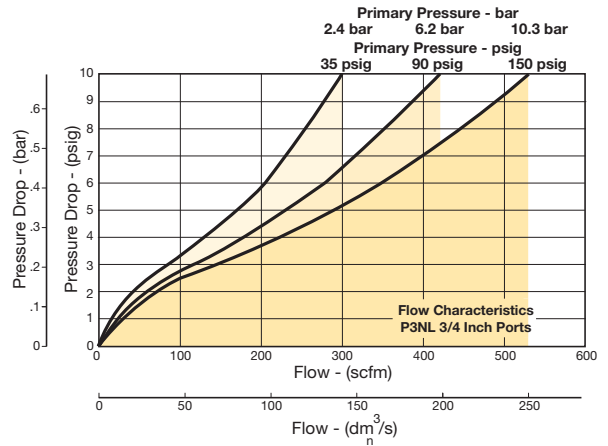


Inches (mm)

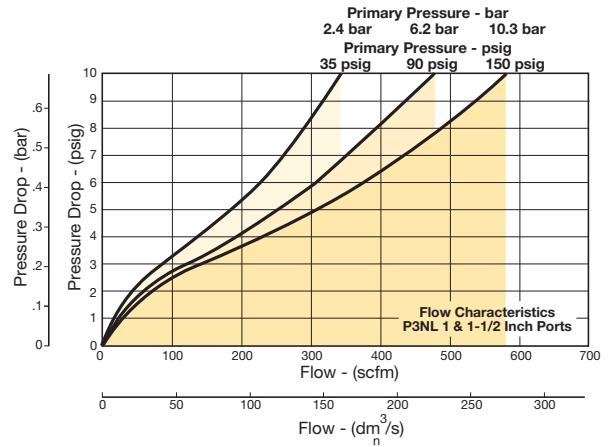
# Air Preparation Products P3N Products

## Flow Charts

### P3NL 3/4" Lubricator



### P3NL 1" & 1-1/2" Lubricator



P3N Products

G

Filters

Coalescers

Regulators

Filter /  
Regulators

Lubricators

Combinations

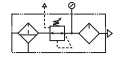


For inventory, lead time, and kit lookup, visit [www.pdnplu.com](http://www.pdnplu.com)

**Popular Combinations:** Inlet pressure 90 psig (6.2 bar), and 0.3 psig (5 bar) pressure drop.



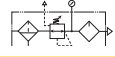
**Filter/Regulator + Lubricator Combinations, metal bowl, manual twist drain  
40 micron element, 125 psig (8.6 bar) regulator without gauge**



Port size	Bowl type	Relief type	Manual twist drain
3/4"	Metal, twist drain	Relieving	<b>P3NCA96SGMNNLNA</b>
1"	Metal, twist drain	Relieving	<b>P3NCA98SGMNNLNA</b>
1-1/2" #	Metal, twist drain	Relieving	<b>P3NCA9PSGMNNLNA</b>



**Filter + Regulator + Lubricator Combinations, metal bowl, manual twist drain  
40 micron element, 125 psig (8.6 bar) regulator without gauge**



Port size	Bowl type	Relief type	Manual twist drain
3/4"	Metal, twist drain	Relieving	<b>P3NCB96SGMNNLNA</b>
1"	Metal, twist drain	Relieving	<b>P3NCB98SGMNNLNA</b>
1-1/2" #	Metal, twist drain	Relieving	<b>P3NCB9PSGMNNLNA</b>

**Notes:** All combo part numbers are with regulator knob in up position.  
 BSPP ported units supplied using NPT ported bodies and BSPP port block kits.  
 # 1" Port body with 1-1/2" port block

**Ordering information:**

**P3N C A 9 6 S G M N N L N A**

<b>Type</b> Combination, modular C	<b>Combination</b> 2-unit, hi-flow, metal bowl A 3-unit, hi-flow, metal bowl B	<b>Port Type</b> G thread (BSPP) female 1 NPT female 9	<b>Port Size</b> 3/4" (w/o port blocks) 6 1" (w/o port blocks) 8 1-1/2" port blocks (w/ 1" ported body) P	<b>Bowl</b> Metal bowl w/ sight gauge S	<b>Element</b> 40 micron G	<b>Relief</b> N Relieving	<b>Drains</b> M Twist drain A Auto float drain	<b>Pressure Gauge</b> N 125 psi (0 to 8 bar), without gauge H 250 psi (0 to 17 bar), without gauge G 125 psi (0 to 8 bar), with gauge J 250 psi (0 to 17 bar), with gauge	<b>Lubricator Type</b> L Oil mist w/ polycarbonate sight dome	<b>Lubricator Drain / Fill Device</b> N No drain, solid bowl / fill plug	<b>Mounting Option</b> A No bracket or kits B Wall bracket
---------------------------------------	--	--	--	--	-------------------------------	------------------------------	--	---	--	---	--

Note: All configured BSPP ported units are supplied using NPT ported bodies and BSPP port block kits.

Most popular.



For inventory, lead times, and kit lookup, visit [www.pdnplu.com](http://www.pdnplu.com)

**Modular Combinations**

**Repair and Service Kits**

Mounting bracket kit	<b>P3NKA00MW</b>
Replacement body cover	<b>P3NKA00PM</b>
Individual NPT 3/4" Port block kits	<b>P3NKB96CP</b>
Individual NPT 1" Port block kits	<b>P3NKB98CP</b>
Individual NPT 1-1/2" Port block kits	<b>P3NKB9BCP</b>
Individual BSPP 3/4" Port block kits	<b>P3NKB16CP</b>
Individual BSPP 1" Port block kits	<b>P3NKB18CP</b>
Individual BSPP 1-1/2" Port block kits	<b>P3NKB1BCP</b>
Combination NPT 3/4" Port block kits	<b>P3NKB96CL</b>
Combination NPT 1" Port block kits	<b>P3NKB98CL</b>
Combination NPT 1-1/2" Port block kits	<b>P3NKB9BCL</b>
Combination BSPP 3/4" Port block kits	<b>P3NKB16CL</b>
Combination BSPP 1" Port block kits	<b>P3NKB18CL</b>
Combination BSPP 1-1/2" Port block kits	<b>P3NKB1BCL</b>

Note: 2-piece filter and regulator (F+R) assemblies require a (P3NKXXCCP) port block kit.

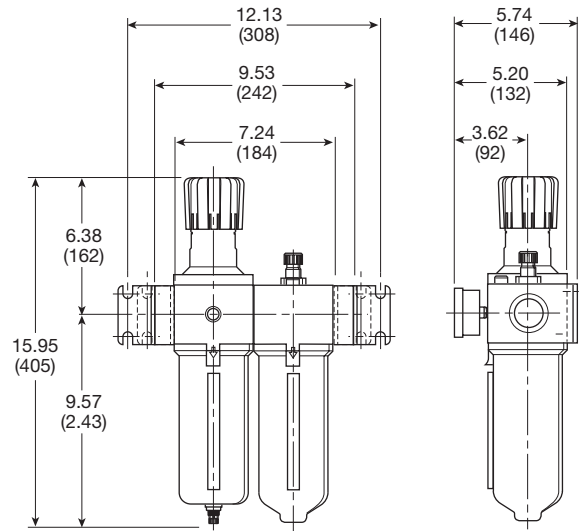
**⚠ WARNING**

**Product rupture can cause serious injury.  
Do not connect regulator to bottled gas.  
Do not exceed Maximum primary pressure rating.**

**CAUTION:**

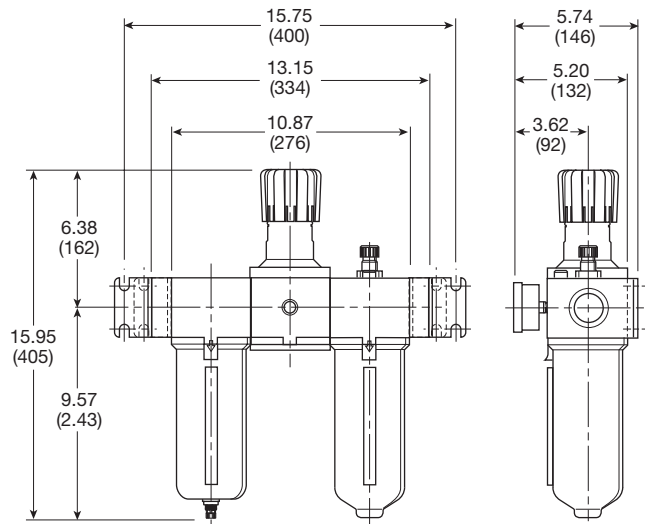
**REGULATOR PRESSURE ADJUSTMENT** – The working range of knob adjustment is designed to permit outlet pressures within their full range. Pressure adjustment beyond this range is also possible because the knob is not a limiting device. This is a common characteristic of most industrial regulators, and limiting devices may be obtained only by special design. For best performance, regulated pressure should always be set by increasing the pressure up to the desired setting.

**P3NCA (Modular 2-unit)**



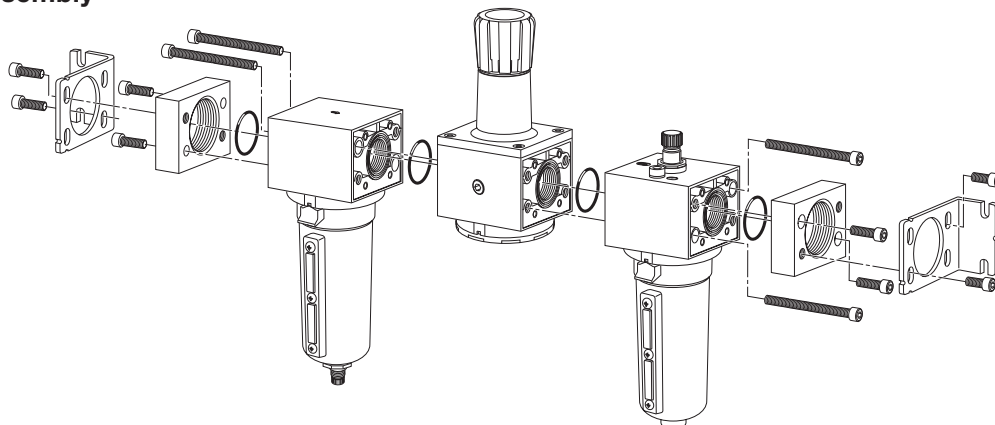
Inches (mm)

**P3NCB (Modular 3-unit)**



Inches (mm)

**Modular Assembly**



P3N Products
<b>G</b>
Filters
Coalescers
Regulators
Filter / Regulators
Lubricators
Combinations



For inventory, lead time, and kit lookup, visit [www.pdnplu.com](http://www.pdnplu.com)



G16



For inventory, lead times, and kit lookup, visit [www.pdnplu.com](http://www.pdnplu.com)

**Parker Hannifin Corporation**  
Pneumatic Division  
Richland, Michigan  
[www.parker.com/pneumatics](http://www.parker.com/pneumatics)



**Air Preparation Products**  
**General Industrial**

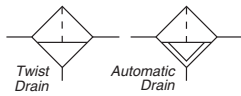
<a href="#">F602 Particulate Filters</a>	H2-H7
<a href="#">35F / 43F Particulate Filters</a>	H8-H9
<a href="#">35F / 43F Coalescing Filters</a>	H10-H11
<a href="#">F701 Coalescing Filters</a>	H12-H13
<a href="#">P3TF Flanged Coalescing Filters</a>	H14-H15
<a href="#">R119 Regulators</a>	H16-H25
<a href="#">09R Regulators</a>	H26-H27
<a href="#">L606 Lubricators</a>	H28-H31
<a href="#">09L Lubricators</a>	H32-H33
<a href="#">C628 Combinations</a>	H34



For inventory, lead time, and kit lookup, visit [www.pdnplu.com](http://www.pdnplu.com)

**F602 Particulate Filters – Hi-Flow**

- Excellent water removal efficiency
- For heavy duty applications with minimum pressure drop requirement
- Unique deflector plate that creates swirling of the air stream ensuring maximum water and dirt separation
- Large filter element surface guarantees low pressure drop and increased element life
- 40 micron filter element standard, 5 micron available
- Metal bowl with sight gauge standard
- Twist drain as standard, optional auto drain
- 3/4" & 1" port, NPT & BSPP



Port size	Description	Part number
3/4"	16 oz. metal bowl / manual drain	<b>F602-06WJ</b>
3/4"	16 oz. metal bowl / auto drain	<b>F602-06WJR</b>
3/4"	32 oz. metal bowl / manual drain	<b>F602-06EJ</b>
3/4"	32 oz. metal bowl / auto drain	<b>F602-06EJR</b>
1"	16 oz. metal bowl / manual drain	<b>F602-08WJ</b>
1"	16 oz. metal bowl / auto drain	<b>F602-08WJR</b>
1"	32 oz. metal bowl / manual drain	<b>F602-08EJ</b>
1"	32 oz. metal bowl / auto drain	<b>F602-08EJR</b>

**Operating information**

Supply pressure (max):  
 Aluminum (E) 0 to 300 psig (0 to 20.7 bar)  
 Zinc with gauge (W) 0 to 250 psig (0 to 17.2 bar)  
 With internal auto drain [R] 20 to 175 psig (1.14 to 11.9 bar)  
 With external auto drain [Q] 0 to 250 psig (0 to 17.2 bar)

Operating temperature:  
 Aluminum (E) 40°F to 150°F (4.4°C to 65.6°C)  
 Zinc with gauge (W) 40°F to 150°F (4.4°C to 65.6°C)  
 With internal auto drain [R] 40°F to 125°F (4.4°C to 52°C)  
 With external auto drain [Q] 40°F to 150°F (4.4°C to 65.6°C)

Flow capacity†:  
 High flow 3/4" 270 scfm (127.4 dm³/s, ANR)  
 1" 300 scfm (141.5 dm³/s, ANR)

Bowl capacity:  
 Zinc with gauge (W) 16 oz.  
 Aluminum (E) 32 oz.

Weight:  
 16 oz. 6.3 lb (2.86)  
 32 oz. 7.0 lb (3.18 kg)

† scfm = Standard cubic feet per minute at 90 psig inlet and 5 psig pressure drop.  
 ( ) Bowl type, [ ] drain type.

**Ordering information:**

**F602 - 06 W J [ ] /\*\***

<b>Port Threads</b>		<b>Engineering Level</b>
NPT -		/** Will be entered at factory
G BSPP G		
<b>Port Size</b>		<b>Drains and Options</b>
3/4 inch 06		Blank Manual twist drain
1 inch 08		Q External heavy duty auto drain
		R Internal auto drain
		U Semi-auto drain
<b>Bowl</b>		<b>Element</b>
32 oz. Large capacity metal without sight gauge E		G 5 Micron
16 oz. Metal with sight gauge W		J 40 Micron

Most popular.



For inventory, lead times, and kit lookup, visit [www.pdnplu.com](http://www.pdnplu.com)

General Industrial Products  
**H**  
 Filters  
 Coalescers  
 Regulators  
 Lubricators  
 Combinations

# Hi-Flow Particulate Filters

## Material Specifications

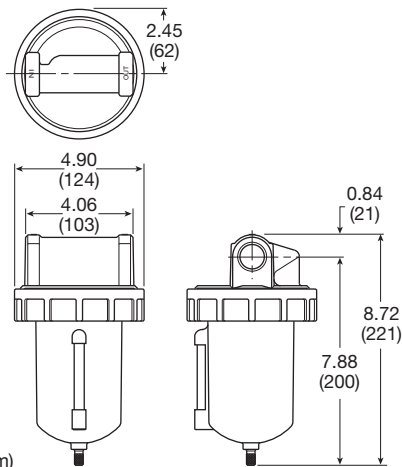
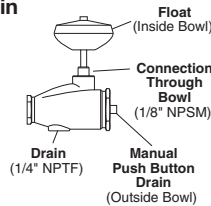
Body	Zinc
Bowl (E) 32 oz. without sight gauge	Aluminum
Bowl (W) 16 oz. with sight gauge	Zinc
Manual twist drain & overnight	Brass
Drain housing "R"	Acetal
Drain housing "Q"	Bronze
Element	Polypropylene
Seals	Nitrile
Sight gauge	Nylon

## Repair and Service Kits

Aluminum bowl (E) 32 oz.	<b>BK603B</b>
Zinc bowl with sight gauge (W) 16 oz.	<b>BK605WB</b>
External auto drain (E) 32 oz.	<b>SA603D</b>
External auto drain (W) 16 oz.	<b>SA602D</b>
Internal auto drain (All)	<b>SA602MD</b>
Manual drain (All)	<b>SA600Y7-1</b>
Semi-auto "overnight" drain <i>(drains automatically under zero pressure)</i>	<b>SA602A7</b>
40 micron element (All)	<b>EK602B</b>
5 micron element (All)	<b>EK602VB</b>
Mounting bracket, 3/4" Unit <i>(pair or 2 kits pipe mounted brackets needed)</i>	<b>SA200AW57</b>
Mounting bracket, 1" Unit <i>(pair or 2 kits pipe mounted brackets needed)</i>	<b>SA200CW57</b>
Deflector, baffle assembly, & retaining rod (E,W)	<b>RK602B</b>
External auto drain (All)	<b>RK602D</b>
Internal auto drain (All)	<b>RK602MD</b>
Metal bowl with sight gauge (W) 16 oz.	<b>RKB605WB</b>

### "Q" Option External Heavy Duty Auto Drain SA602D / SA603D

For heavy duty applications where the filter is being used to remove large volumes of liquid and/or particulate matter from the airstream, the external automatic drain ("Q" option) should be used.

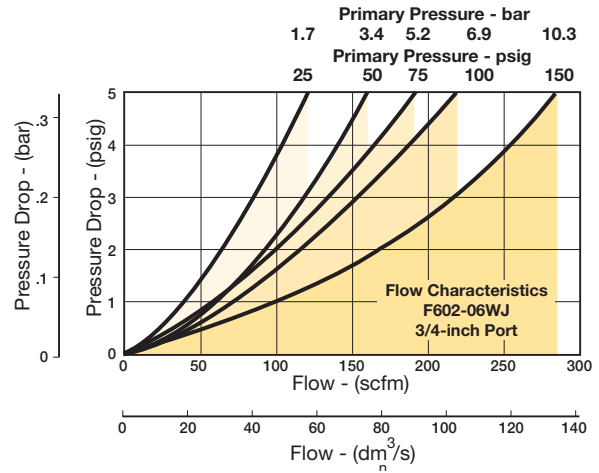


F602-06W, F602-08W (Hi-Flow)

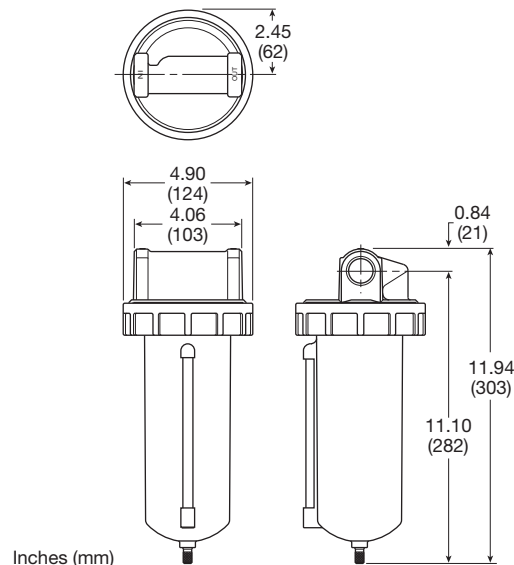
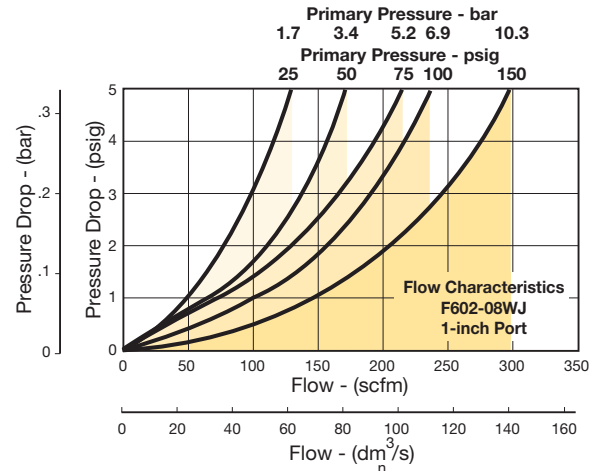
# Air Preparation Products General Industrial

## Flow Charts

### F602 3/4" Particulate Filter



### F602 1" Particulate Filter



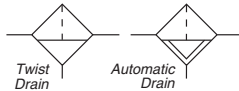
F602-06E, F602-08E (Hi-Flow)



For inventory, lead time, and kit lookup, visit [www.pdnplu.com](http://www.pdnplu.com)

## F602 Particulate Filters – Hi-Flow

- Excellent water removal efficiency
- For heavy duty applications with minimum pressure drop requirement
- Unique deflector plate that creates swirling of the air stream ensuring maximum water and dirt separation
- Large filter element surface guarantees low pressure drop and increased element life
- 40 micron filter element standard, 5 micron available
- Metal bowl with sight gauge standard
- Twist drain as standard, optional auto drain
- Large bowl capacity
- Optional high capacity bowl(s) available
- 1-1/2" port, NPT & BSPP



Port size	Description	Part number
1-1/2"	16 oz. metal bowl / manual drain	<b>F602-12WJ</b>
1-1/2"	16 oz. metal bowl / auto drain	<b>F602-12WJR</b>
1-1/2"	32 oz. metal bowl / manual drain	<b>F602-12EJ</b>
1-1/2"	32 oz. metal bowl / auto drain	<b>F602-12EJR</b>

### Operating information

Supply pressure (max):  
 Aluminum (E) 0 to 300 psig (0 to 20.7 bar)  
 Zinc with gauge (W) 0 to 250 psig (0 to 17.2 bar)  
 With internal auto drain [R] 20 to 175 psig (1.14 to 11.9 bar)  
 With external auto drain [Q] 0 to 250 psig (0 to 17.2 bar)

Operating temperature:  
 Aluminum (E) 40°F to 150°F (4.4°C to 65.6°C)  
 Zinc with gauge (W) 40°F to 150°F (4.4°C to 65.6°C)  
 With internal auto drain [R] 40°F to 125°F (4.4°C to 52°C)  
 With external auto drain [Q] 40°F to 150°F (4.4°C to 65.6°C)

Flow capacity†:  
 High flow 1-1/2" 450 scfm (212.4 dm³/s, ANR)

Bowl capacity:  
 Zinc with gauge (W) 16 oz.  
 Aluminum (E) 32 oz.

Weight:  
 16 oz. 7.0 lb (3.18 kg)  
 32 oz. 7.7 lb (3.49 kg)

† scfm = Standard cubic feet per minute at 90 psig inlet and 5 psig pressure drop.  
 ( ) Bowl type, [ ] drain type.

### Ordering information:

**F602** - **12** **W** **J** [ ] **/\*\***

<b>Port Threads</b>		<b>Engineering Level</b>
NPT	-	** Will be entered at factory
G BSPP	G	

<b>Port Size</b>	
1-1/2 inch	12

<b>Bowl</b>	
32 oz. Large capacity metal without sight gauge	E
16 oz. Metal with sight gauge	W

<b>Drains and Options</b>
Blank Manual twist drain
Q External heavy duty auto drain
R Internal auto drain
U Semi-auto drain

<b>Element</b>
G 5 Micron
J 40 Micron

Most popular.



For inventory, lead times, and kit lookup, visit [www.pdnplu.com](http://www.pdnplu.com)



## Hi-Flow Particulate Filters

### Material Specifications

Body	Zinc
Bowl (E) 32 oz. without sight gauge	Aluminum
Bowl (W) 16 oz. with sight gauge	Zinc
Manual twist drain & overnight	Brass
Drain housing "R"	Acetal
Drain housing "Q"	Bronze
Element	Polypropylene
Seals	Nitrile
Sight gauge	Nylon

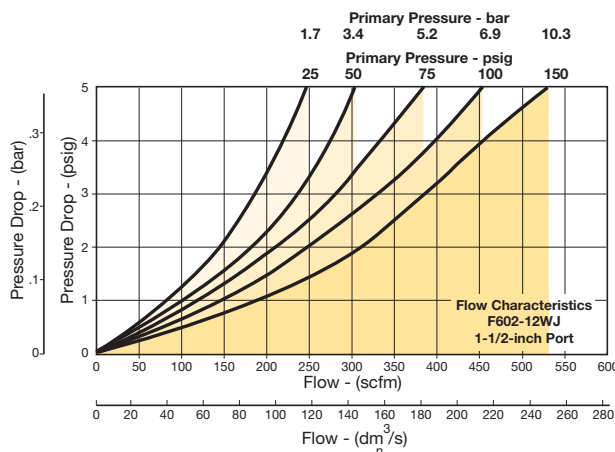
### Repair and Service Kits

Aluminum bowl (E) 32 oz.	<b>BK603B</b>
Zinc bowl with sight gauge (W) 16 oz.	<b>BK605WB</b>
External auto drain (E) 32 oz.	<b>SA603D</b>
External auto drain (W) 16 oz.	<b>SA602D</b>
Internal auto drain (All)	<b>SA602MD</b>
Manual drain (All)	<b>SA600Y7-1</b>
Semi-automatic "overnight" drain <i>(drains automatically under zero pressure)</i>	<b>SA602A7</b>
40 micron element (All)	<b>EK602B</b>
5 micron element (All)	<b>EK602VB</b>
Deflector, baffle assembly, & retaining rod (All)	<b>RK602C</b>
External auto drain (All)	<b>RK602D</b>
Internal auto drain (All)	<b>RK602MD</b>
Metal bowl with sight gauge (W) 16 oz.	<b>RKB605WB</b>

## Air Preparation Products General Industrial

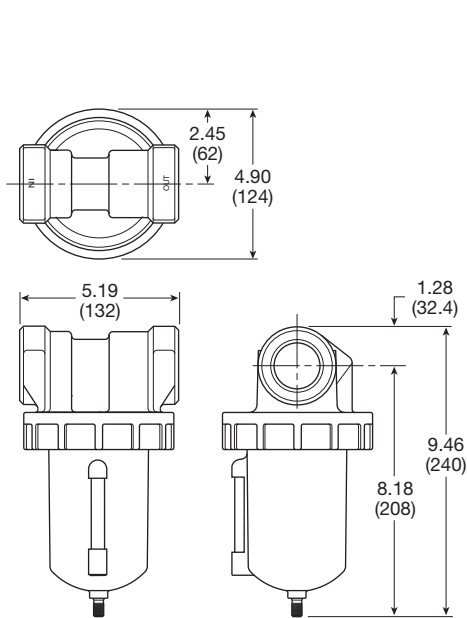
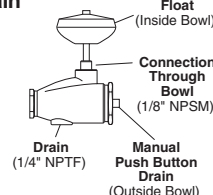
### Flow Charts

#### F602 1-1/2" Particulate Filter

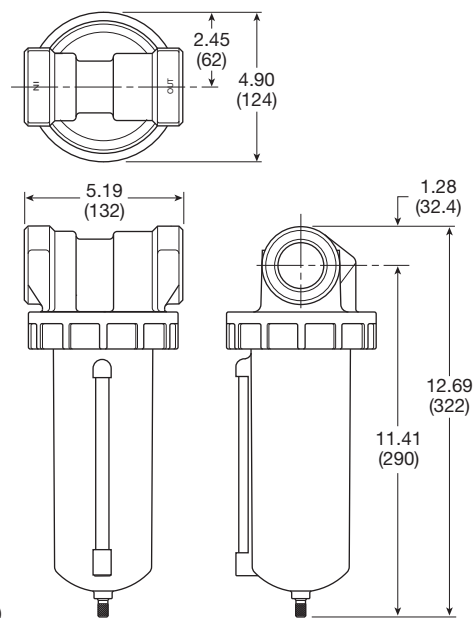


#### "Q" Option External Heavy Duty Auto Drain SA602D / SA603D

For heavy duty applications where the filter is being used to remove large volumes of liquid and/or particulate matter from the airstream, the external automatic drain ("Q" option) should be used.



F602-12W (Hi-Flow)



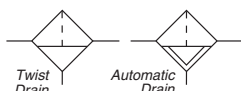
F602-12E (Hi-Flow)



For inventory, lead time, and kit lookup, visit [www.pdnplu.com](http://www.pdnplu.com)

## F602 Particulate Filters – Hi-Flow

- Excellent water removal efficiency
- For heavy duty applications with minimum pressure drop requirement.
- Unique deflector plate that creates swirling of the air stream ensuring maximum water and dirt separation.
- Large filter element surface guarantees low pressure drop and increased element life.
- 40 micron filter element standard.
- Metal bowl with sight gauge standard.
- Twist drain as standard, optional auto drain.
- Large bowl capacity.
- Optional high capacity bowl(s) available
- 2" port, NPT & BSPP



Port size	Description	Part number
2"	16 oz. metal bowl / manual drain	<b>F602-16WJ</b>
2"	16 oz. metal bowl / auto drain	<b>F602-16WJR</b>
2"	32 oz. metal bowl / manual drain	<b>F602-16EJ</b>
2"	32 oz. metal bowl / auto drain	<b>F602-16EJR</b>

### Operating information

Supply pressure (max):  
 Aluminum (E) 0 to 300 psig (0 to 20.7 bar)  
 Zinc with gauge (W) 0 to 250 psig (0 to 17.2 bar)  
 With internal auto drain [R] 20 to 175 psig (1.14 to 11.9 bar)  
 With external auto drain [Q] 0 to 250 psig (0 to 17.2 bar)

Operating temperature:  
 Aluminum (E) 40°F to 150°F (4.4°C to 65.6°C)  
 Zinc with gauge (W) 40°F to 150°F (4.4°C to 65.6°C)  
 With internal auto drain [R] 40°F to 125°F (4.4°C to 52°C)  
 With external auto drain [Q] 40°F to 150°F (4.4°C to 65.6°C)

Flow capacity†:  
 High flow 2" 1200 scfm (566.3 dm³/s, ANR)

Bowl capacity:  
 Zinc with gauge (W) 16 oz.  
 Aluminum (E) 32 oz.

Weight:  
 16 oz. 9.8 lb (4.45 kg)  
 32 oz. 10.3 lb (4.67 kg)

† scfm = Standard cubic feet per minute at 90 psig inlet and 5 psig pressure drop.  
 ( ) Bowl type, [ ] drain type.

### Ordering information:

**F602 - 16 W J [ ] /\*\***

<b>Port Threads</b>		<b>Engineering Level</b>
NPT	-	/** Will be entered at factory
G BSPP	G	

<b>Port Size</b>	
2 inch	16

<b>Bowl</b>	
32 oz. Large capacity metal without sight gauge	E
16 oz. Metal with sight gauge	W

<b>Element</b>	
J	40 Micron

<b>Drains and Options</b>	
Blank	Manual twist drain
Q	External heavy duty auto drain
R	Internal auto drain
U	Semi-auto drain

Most popular.



For inventory, lead times, and kit lookup, visit [www.pdnplu.com](http://www.pdnplu.com)

# Hi-Flow Particulate Filters

## Material Specifications

Body	Aluminum
Bowl (E) 32 oz. without sight gauge	Aluminum
Bowl(W) 16 oz. with sight gauge	Zinc
Manual twist drain & overnight	Brass
Drain housing "R"	Acetal
Drain housing "Q"	Bronze
Element	Polypropylene
Seals	Buna N
Sight Gauge	Nylon

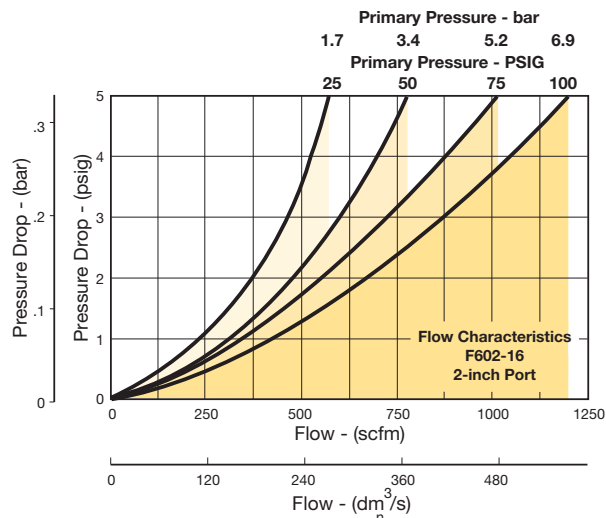
## Repair and Service Kits

Aluminum bowl (E) 32 oz.	<b>BK603B</b>
Zinc bowl with sight gauge (W) 16 oz.	<b>BK605WB</b>
External auto drain (E) 32 oz.	<b>SA603D</b>
External auto drain (W) 16 oz.	<b>SA602D</b>
Internal auto drain (All)	<b>SA602MD</b>
Manual drain (All)	<b>SA600Y7-1</b>
Semi-auto "overnight" drain <i>(drains automatically under zero pressure)</i>	<b>SA602A7</b>
40 micron element (All)	<b>EK602G</b>
Deflector, baffle assembly, & retaining rod (All)	<b>RK602C</b>
External auto drain (All)	<b>RK602D</b>
Internal auto drain (All)	<b>RK602MD</b>
Metal bowl with sight gauge (W) 16 oz.	<b>RKB605WB</b>

# Air Preparation Products General Industrial

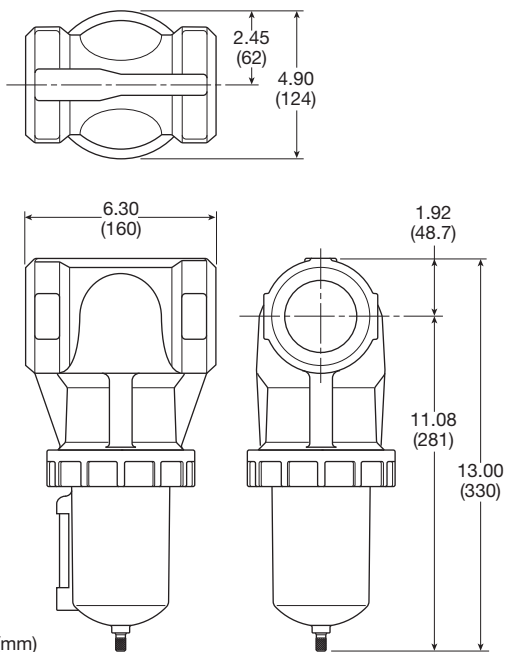
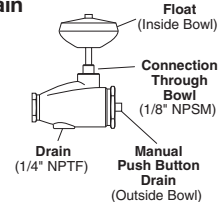
## Flow Charts

### F602 2" Particulate Filter

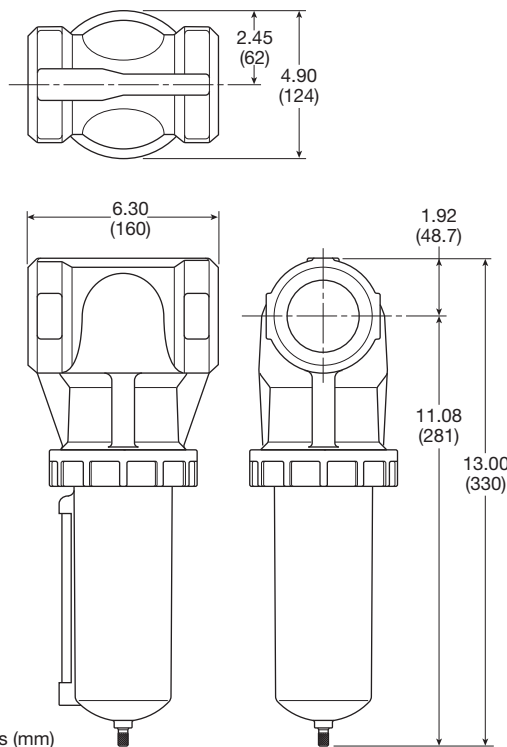


### "Q" Option External Heavy Duty Auto Drain SA602D / SA603D

For heavy duty applications where the filter is being used to remove large volumes of liquid and/or particulate matter from the airstream, the external automatic drain ("Q" option) should be used.



F602-16W (Hi-Flow)



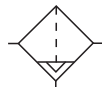
F602-16E (Hi-Flow)



For inventory, lead time, and kit lookup, visit [www.pdnplu.com](http://www.pdnplu.com)

**35F / 43F Particulate Filters – Hi-Flow**

- Heavy-duty cast aluminum housings to withstand operating pressures up to 250 psig\*
- Differential pressure indicator to eliminate the guesswork of element replacement
- Differential pressure gauge available, order separately, kit DP3-01-000
- Unique drain mounting plate design offers a trouble-free method for interchanging and installing external drains
- 1-1/2" & 2" (35F), 3" (43F) ports, NPT & BSPP



Auto Drain

Port size	Description	Part number
1-1/2"	Metal bowl / auto drain	<b>35F77BAP</b>
2"	Metal bowl / auto drain	<b>35F87BAP</b>
3"	Metal bowl / auto drain	<b>43FN7BAP</b>

**Operating information**

Supply pressure (max):		
With pressure gauge		
without DPI*	250 psig (17.2 bar)	
with DPI	150 psig (10.3 bar)	
Operating temperature:	32°F to 150°F (0°C to 65.6°C)	
Flow capacity†:		
High flow	1-1/2"	1280 scfm (604.1 dm³/s, ANR)
	2"	1400 scfm (660.7 dm³/s, ANR)
	3"	2900 scfm (1368.6 dm³/s, ANR)
Bowl capacity:	35F	13.9 oz.
	43F	17.2 oz.
Standard Filtration:	5 micron	
Weight:	35F	19.3 lb (8.7 kg)
	43F	32.8 lb (14.9 kg)

† scfm = Standard cubic feet per minute at 90 psig inlet and 5 psig pressure drop.  
\* Without differential pressure indicator, max supply pressure is 250 psig (17.2 bar).

**Ordering information:**

<b>35F</b>	<b>7</b>	<b>7</b>	<b>B</b>	<b>A</b>	<b>P</b>	<b>1</b>
<b>Port Size</b>	<b>Port Threads</b>		<b>Bowl</b>	<b>Element</b>	<b>Options</b>	<b>Element</b>
1-1/2 inch (35F)	7	Blank	Metal without sight gauge, auto float drain	5 Micron	N Without differential pressure indicator	A Current
2 inch (35F)	8	1 NPT			P* With differential pressure indicator	
3 inch (43F)	N	1 BSPP			G** With differential pressure gauge	

\* Maximum pressure rating 150 psig (10.3 bar).  
\*\* Gauge ships loose

Most popular.



For inventory, lead times, and kit lookup, visit [www.pdnplu.com](http://www.pdnplu.com)

General Industrial Products

H

Filters

Coalescers

Regulators

Lubricators

Combinations

# Hi-Flow Particulate Filters

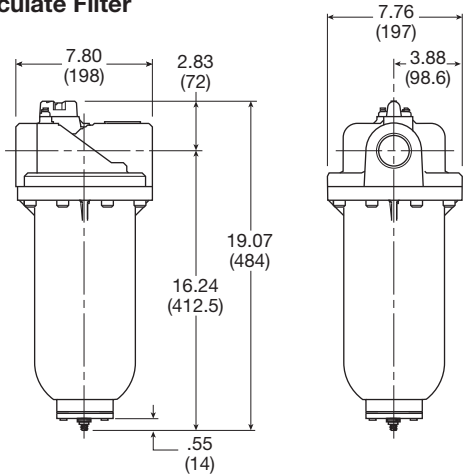
## Material Specifications

Baffle	Plated steel
Body	Aluminum
Bowls	Aluminum
Deflector	Plated steel
Element retainer	Plated steel
Filter element	Polyethylene
Seals	Fluorocarbon
Stud	Plated steel

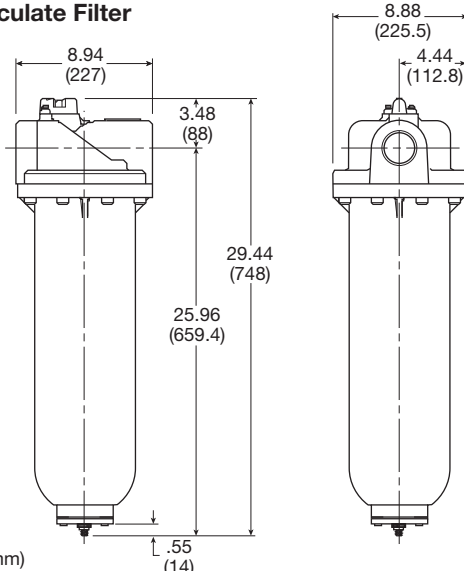
## Repair and Service Kits

Differential pressure indicator cap For pressures over 150 psig	<b>GRP-95-022</b>
Differential pressure gauge	<b>DP3-01-000</b>
Differential pressure indicator	<b>DP2-02-001</b>
Auto drain, 1/8 NPT	<b>GRP-95-981</b>
Drain plate kit, 1/2 NPT tapped drain port	<b>GRP-95-393</b>
Element, 5 micron (35F)	<b>FRP-95-505</b>
Element, 5 micron (43F)	<b>FRP-95-508</b>
Manual drain kit with 1/2" drain plate	<b>GRP-95-392</b>

### 35F Particulate Filter



### 43F Particulate Filter

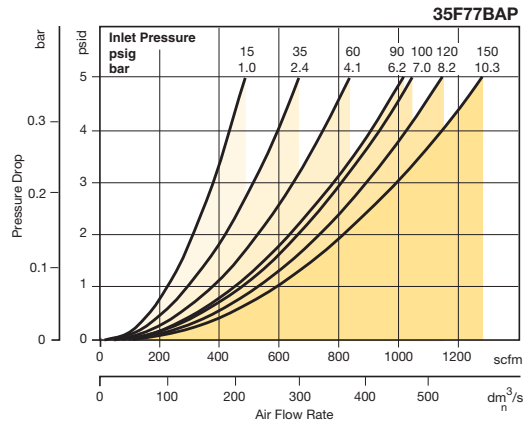


Inches (mm)

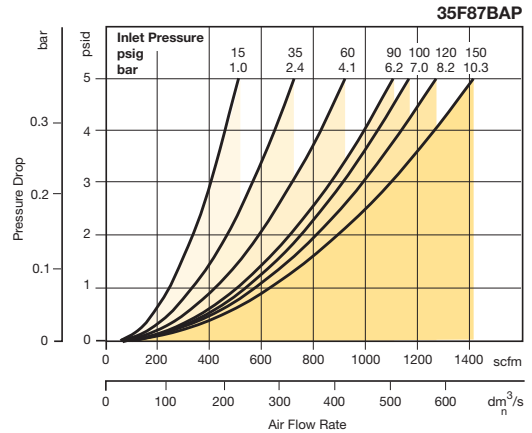
# Air Preparation Products General Industrial

## Flow Charts

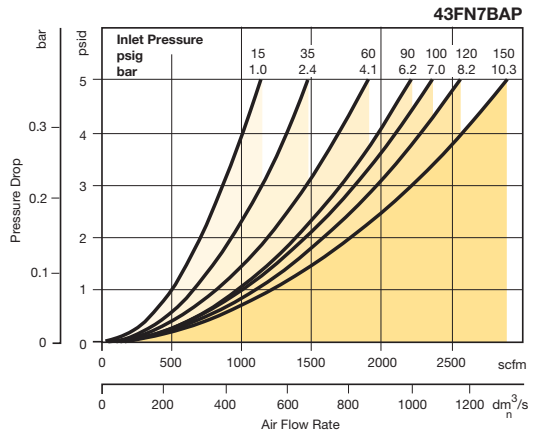
### 35F, 1-1/2" Particulate Filter



### 35F, 2" Particulate Filter



### 43F, 3" Particulate Filter

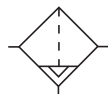


For inventory, lead time, and kit lookup, visit [www.pdnplu.com](http://www.pdnplu.com)

**35F / 43F Coalescing Filters – Hi-Flow**

- Heavy-duty cast aluminum housings to withstand operating pressures up to 250 psig\*
- Differential pressure indicator to eliminate the guesswork of element replacement
- Differential pressure gauge available, order separately, kit DP3-01-000
- Unique drain mounting plate design offers a trouble-free method for interchanging and installing external drains
- High-flow filter elements: coalescing, 1 micron and 0.01 micron
- 1-1/2", 2", 3" ports (NPT, BSPP, BSPT)

\* Without Differential Pressure Indicator – Max. supply pressure is 250 psig (20.1 bar).



**Auto Drain**

Port size	Description	Part number
1-1/2"	0.01 micron / auto float	<b>35F77EAP</b>
1-1/2"	1.0 micron / auto float	<b>35F77HAP</b>
2"	0.01 micron / auto float	<b>35F87EAP</b>
2"	1.0 micron / auto float	<b>35F87HAP</b>
3"	0.01 micron / auto float	<b>43FN7EAP</b>
3"	1.0 micron / auto float	<b>43FN7HAP</b>

**Operating information**

Supply pressure (max):	
With pressure gauge without DPI*	250 psig (17.2 bar)
with DPI	150 psig (10.3 bar)
Operating temperature: 32°F to 150°F (0°C to 65.6°C)	
Flow capacity†:	
High flow	(35F) 1-1/2" 710 scfm (335 dm <sup>3</sup> /s, ANR)
	(35F) 2" 710 scfm (335 dm <sup>3</sup> /s, ANR)
	(43F) 3" 1770 scfm (835 dm <sup>3</sup> /s, ANR)
Bowl capacity:	
35F	13.9 oz.
43F	17.2 oz.
Standard Filtration: 0.01 & 1 micron	
Weight:	
35F	19.3 lb (8.7 kg)
43F	32.8 lb (14.9 kg)

† scfm = Standard cubic feet per minute at 90 psig inlet and 5 psig pressure drop.  
\* Filtration temperature of 70°F (21°C) @ 100 psig (6.9 bar) with typical compressor lubricating oil and protected by 0.01 micron filter.

**Ordering information:**

<b>35F</b>	<b>7</b>	<b>7</b>	<b>H</b>	<b>A</b>	<b>P</b>	<b> </b>																											
<table border="1"> <thead> <tr><th colspan="2">Port Size</th></tr> </thead> <tbody> <tr><td>1-1/2 inch (35F)</td><td>7</td></tr> <tr><td>2 inch (35F)</td><td>8</td></tr> <tr><td>3 inch (43F)</td><td>N</td></tr> </tbody> </table>		Port Size		1-1/2 inch (35F)	7	2 inch (35F)	8	3 inch (43F)	N	<table border="1"> <thead> <tr><th colspan="2">Bowl</th></tr> </thead> <tbody> <tr><td>Metal without sight gauge, auto float drain</td><td>7</td></tr> </tbody> </table>		Bowl		Metal without sight gauge, auto float drain	7	<table border="1"> <thead> <tr><th colspan="2">Element</th></tr> </thead> <tbody> <tr><td>0.01 Micron</td><td>E</td></tr> <tr><td>1 Micron</td><td>H</td></tr> </tbody> </table>		Element		0.01 Micron	E	1 Micron	H	<table border="1"> <thead> <tr><th colspan="2">Port Threads</th></tr> </thead> <tbody> <tr><td>Blank</td><td>NPT</td></tr> <tr><td>1</td><td>BSPP</td></tr> <tr><td>2</td><td>BSPT</td></tr> </tbody> </table>		Port Threads		Blank	NPT	1	BSPP	2	BSPT
Port Size																																	
1-1/2 inch (35F)	7																																
2 inch (35F)	8																																
3 inch (43F)	N																																
Bowl																																	
Metal without sight gauge, auto float drain	7																																
Element																																	
0.01 Micron	E																																
1 Micron	H																																
Port Threads																																	
Blank	NPT																																
1	BSPP																																
2	BSPT																																
				<table border="1"> <thead> <tr><th colspan="2">Options</th></tr> </thead> <tbody> <tr><td>N</td><td>Without differential pressure indicator</td></tr> <tr><td>P*</td><td>With differential pressure indicator</td></tr> </tbody> </table>			Options		N	Without differential pressure indicator	P*	With differential pressure indicator																					
Options																																	
N	Without differential pressure indicator																																
P*	With differential pressure indicator																																
				<table border="1"> <thead> <tr><th colspan="2">Engineering Level</th></tr> </thead> <tbody> <tr><td>A</td><td>Current</td></tr> </tbody> </table>			Engineering Level		A	Current																							
Engineering Level																																	
A	Current																																

\* Maximum pressure rating 150 psig.

Most popular.



For inventory, lead times, and kit lookup, visit [www.pdnplu.com](http://www.pdnplu.com)

H10

**Parker Hannifin Corporation**  
Pneumatic Division  
Richland, Michigan  
[www.parker.com/pneumatics](http://www.parker.com/pneumatics)

General Industrial Products  
**H**  
Filters  
Coalescers  
Regulators  
Lubricators  
Combinations

# Hi-Flow Coalescing Filters

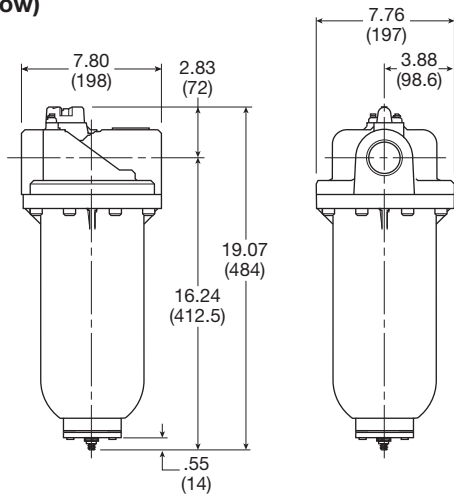
## Material Specifications

Body	Aluminum
Bowls	Aluminum
Filter element	Borosilicate cloth
Seals	Fluorocarbon
Stud	Plated steel

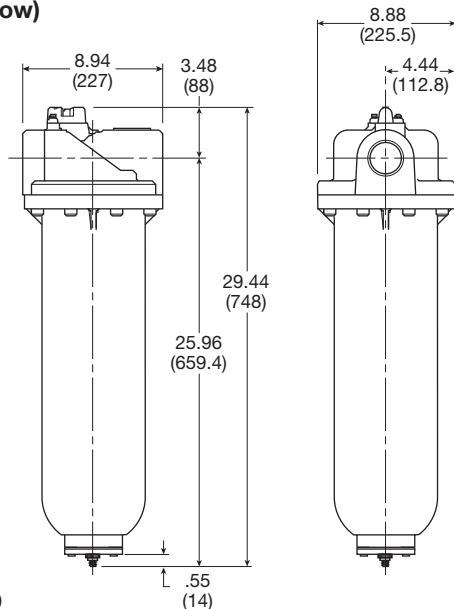
## Repair and Service Kits

Differential pressure indicator cap – for pressures over 150 psig	<b>GRP-95-022</b>
Differential pressure indicator	<b>DP2-02-001</b>
Drain, automatic, internal, fluorocarbon, 1/8 NPT	<b>GRP-95-981</b>
Drain plate kit, 1/2 NPT tapped drain port	<b>GRP-95-393</b>
35F: 0.01 Micron element	<b>MTP-95-502</b>
35F: 1.0 Micron element	<b>MSP-95-502</b>
43F: 0.01 Micron element	<b>MTP-95-562</b>
43F: 1.0 Micron element	<b>MSP-95-876</b>
Manual drain kit with 1/2" drain plate	<b>GRP-95-392</b>

### 35F (Hi-Flow)



### 43F (Hi-Flow)

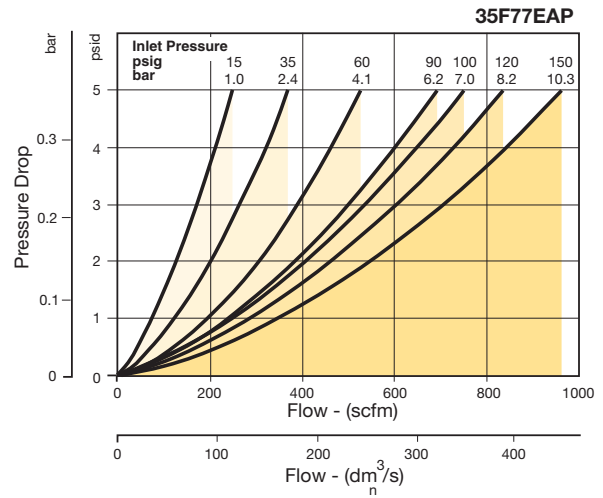


Inches (mm)

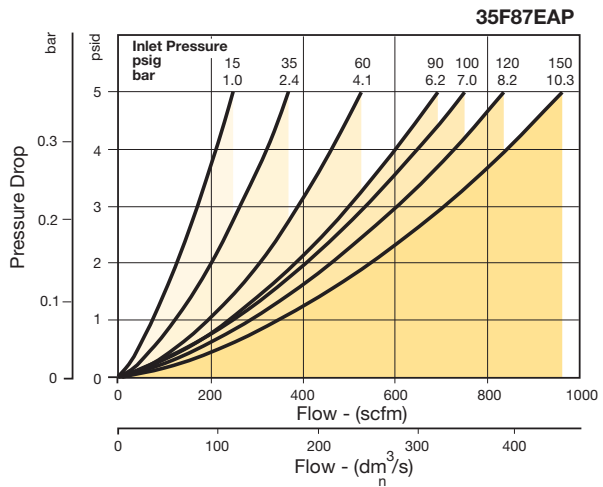
# Air Preparation Products General Industrial

## Flow Charts

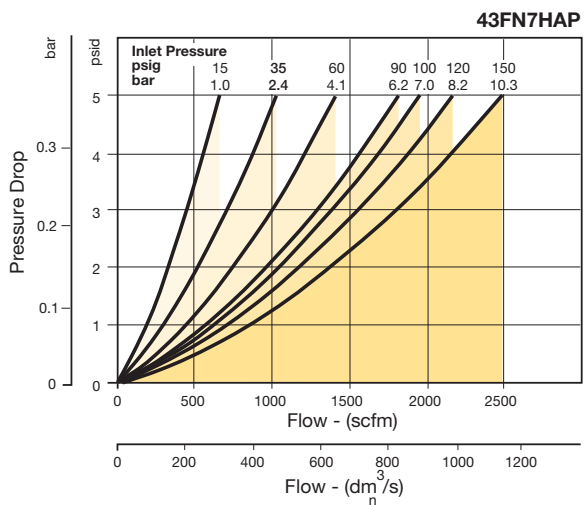
### 35F 1-1/2" Coalescing Filters



### 35F 2" Coalescing Filters



### 43F 3" Coalescing Filters



For inventory, lead time, and kit lookup, visit [www.pdnplu.com](http://www.pdnplu.com)

H11

[www.comoso.com](http://www.comoso.com)

**Parker Hannifin Corporation**  
Pneumatic Division  
Richland, Michigan  
[www.parker.com/pneumatics](http://www.parker.com/pneumatics)

General Industrial  
Products

H

Filters

Coalescers

Regulators

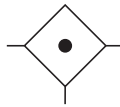
Lubricators

Combinations

**F701 Coalescing Filters – Hi-Flow**

- Removes liquid aerosols and sub-micron particles.
- Protects pneumatic systems from contamination that standard particulate filters will not catch.
- Two different grade elements available.
- Differential pressure indicator (pop-up ) standard.
- Differential pressure gauge optional.
- High flow design
- 3/4", 1" ports (NPT, BSPP)

Note: All coalescing filters should be protected by a particulate filter (i.e., F602, or other) installed upstream.



Port size	Description	Part number
3/4"	32 oz. metal bowl, grade 6 element	<b>F701-06E3P</b>
3/4"	100 oz. metal bowl, grade 6 element	<b>F701-06L3P</b>
3/4"	32 oz. metal bowl, grade 10 element	<b>F701-06E7P</b>
3/4"	100 oz. metal bowl, grade 10 element	<b>F701-06L7P</b>
1"	32 oz. metal bowl, grade 6 element	<b>F701-08E3P</b>
1"	100 oz. metal bowl, grade 6 element	<b>F701-08L3P</b>
1"	32 oz. metal bowl, grade 10 element	<b>F701-08E7P</b>
1"	100 oz. metal bowl, grade 10 element	<b>F701-08L7P</b>

**Operating information**

Supply pressure (max):		
Manual drains		0 to 300 psig (0 to 20.7 bar)
Auto drains		
"R" low pressure internal		175 psig (12.0 bar)
"T" High pressure internal		250 psig (17.2 bar)
"Q" external		250 psig (17.2 bar)
Operating pressure drop:		
Normal	Dry	2 psig (0.14 bar)
	Wet	5 psig (0.34 bar)
Max recommended (Element should be replaced)		10 psig (0.7 bar)
Minimum recommended flow:		20% nominal rating of element
Operating temperature (max):		32°F to 150°F (0°C to 65°C)
"R", "T", "Q" drains		125°F (52°C)
Flow capacity†:		
Grade 6	32 oz*	95 scfm (44.8 dm <sup>3</sup> /s, ANR)
(0.01 micron)	100 oz*	170 scfm (80 dm <sup>3</sup> /s, ANR)
Grade 10	32 oz*	158 scfm (75 dm <sup>3</sup> /s, ANR)
(1.0 micron)	100 oz*	285 scfm (135 dm <sup>3</sup> /s, ANR)
Weight:		
	32 oz	5.0 lb (2.3 kg)
	100 oz	8.0 lb (3.6 kg)

† scfm = Standard cubic feet per minute at 90 psig inlet and 5 psig pressure drop.  
\* Dry media flow, for wet media flow information see table on next page.

**Ordering information:**

**F701 - 06 W 3 /\*\***

<b>Port Threads</b>		<b>Engineering Level</b>
NPT	-	/** Will be entered at factory
G BSPP	G	
<b>Port Size</b>		<b>Drains and Options</b>
3/4 inch	06	Blank Manual twist drain
1 inch	08	T High pressure internal auto drain
		Q* External auto drain
		R Low pressure internal auto drain
<b>Bowl</b>		* Q option not available with bowl option L.
32 oz. Metal without sight gauge	E	
100 oz. Metal without sight gauge	L	
		<b>Element</b>
		3 Grade 6
		7 Grade 10

Most popular.



For inventory, lead times, and kit lookup, visit [www.pdnplu.com](http://www.pdnplu.com)



# Hi-Flow Coalescing Filters

## Material Specifications

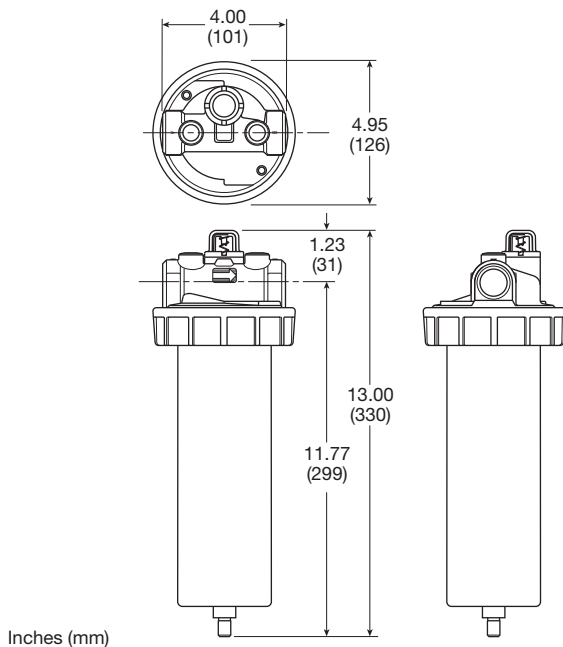
Body & flange ring	Zinc
Metal bowl (E) (L)	Aluminum
Auto float drain, housing "R", "T" (internal)	Acetal
Auto float drain, housing "Q" (external)	Bronze
Auto float drain, manual twist drain	Brass
Seals & float	Buna N
Springs	Stainless steel
Element (media)	Borosilicate fibers & felt
Element end caps	Urethane
Seals	Buna N

## Repair and Service Kits

Bracket - 3/4 (pair of pipe mounted brackets)	<b>SA200AW57</b>
Bracket - 1 (pair of pipe mounted brackets)	<b>SA200CW57</b>
32 oz bowl kit - 3/4, 1 inch (E)	<b>BK603B</b>
32 oz bowl kit - 3/4, 1 inch (L) 100 oz.	<b>BK603C</b>
Differential pressure pop up Indicator repair kit (only works with originally equipped units)	<b>RK701P</b>
Differential pressure gauge (only works on units without pop-up indicator)	<b>DP276-P</b>
Internal automatic drain kit, high pressure (T)	<b>SA702MD</b>
Manual twist drain kit	<b>SA600Y7-1</b>
Grade 6 element - 3/4, 1 Inch (E) 32 oz.	<b>F701-C3-0773</b>
Grade 6 element - 3/4, 1 Inch (L) 100 oz.	<b>F701-C3-0774</b>
Grade 10 element - 3/4, 1 Inch (E) 32 oz.	<b>F701-C7-0773</b>
Grade 10 element - 3/4, 1 Inch (L) 100 oz.	<b>F701-C7-0774</b>

( ) = Bowl Type

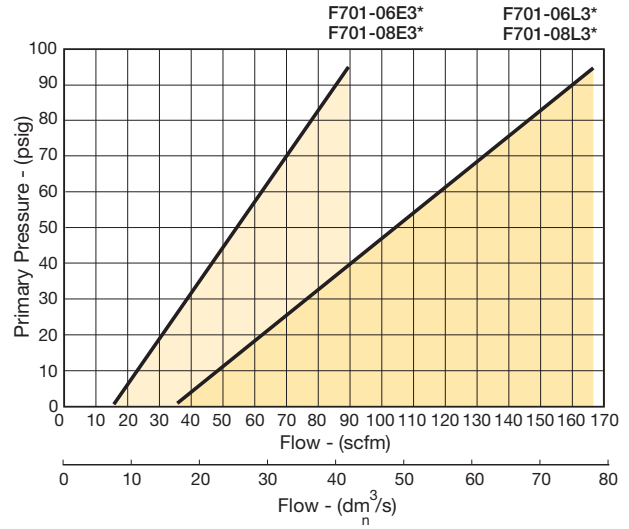
### F701 - 32 oz. bowl (Hi-Flow)



# Air Preparation Products General Industrial

## Flow Charts

### F701 3/4" & 1" Coalescing Filter



## Media Specifications

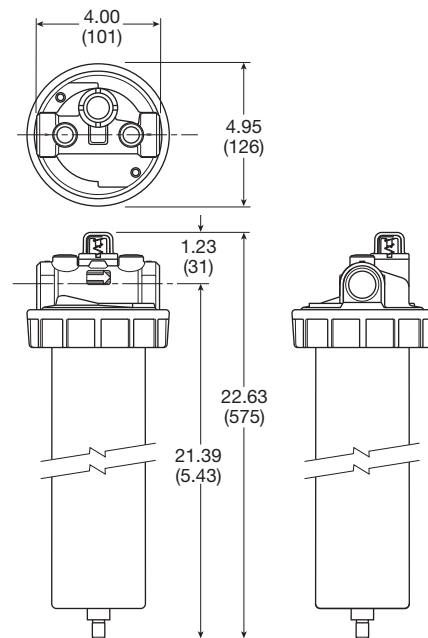
Grade	D.O.P. Coalescing efficiency 0.3 to 0.6 micron particles	Maximum oil carryover <sup>1</sup> PPM w/w	Pressure drop (PSID) <sup>2</sup> @ rated flow	
			Media dry	Media Wet with 10-20 wt. oil
6	99.97%	0.008	1.0	2-3
10	95%	0.85	0.5	0.5

<sup>1</sup> Tested per BCAS 860900 at 40 ppm inlet.

<sup>2</sup> Add dry + wet for total pressure drop.

D.O.P. = Dioctylphthalate

### F701 - 100 oz. bowl (Hi-Flow)



For inventory, lead time, and kit lookup, visit [www.pdnplu.com](http://www.pdnplu.com)

**P3TF Flanged Coalescing Filters**

**P3TF Series Flanged Coalescing Filters**

- No tie rod element design
- Pleated element technology
- New high efficiency drainage layer
- Designed in accordance with ASME and CRN
- Connection sizes: 4" & 6" flange
- Acrylic polyurethane coating for corrosion protection
- Float drain is standard
- DP gauge is standard



Port size	Element type	Number of elements	Part number
4"	0.01 micron	4	<b>P3TFAFFD2AN</b>
4"	1.0 micron	4	<b>P3TFAFFQ2AN</b>
6"	0.01 micron	6	<b>P3TFAFGD3AN</b>
6"	1.0 micron	6	<b>P3TFAFGQ3AN</b>

**Operating information**

Supply pressure (max):	232 psig (16 bar)
Operating temperature:	35°F to 212°F (1.5°C to 100°C)
Flow capacity†:	4" 2119 scfm (1000 dm <sup>3</sup> /s, ANR) 6" 4132 scfm (1950 dm <sup>3</sup> /s, ANR)
Standard Filtration:	0.01 & 1 micron
† scfm = Standard cubic feet per minute at 90 psig inlet and 5 psig pressure drop.	

**Material Specifications**

Body	Steel
Baffle	Plated steel
Deflector	Plated steel
Element	Borosilicate cloth
Seals	Fluorocarbon
Stud	Plated steel

**Repair and Service Kits**

DP gauge replacement kit	<b>DPG-Kit</b>
Float drain kit - 1/2" NPT	<b>HDF-120-NPT-A</b>
0.01 Micron element (4 or 6 required)	<b>PSY1035002</b>
1.0 Micron element (4 or 6 required)	<b>PSY1035001</b>

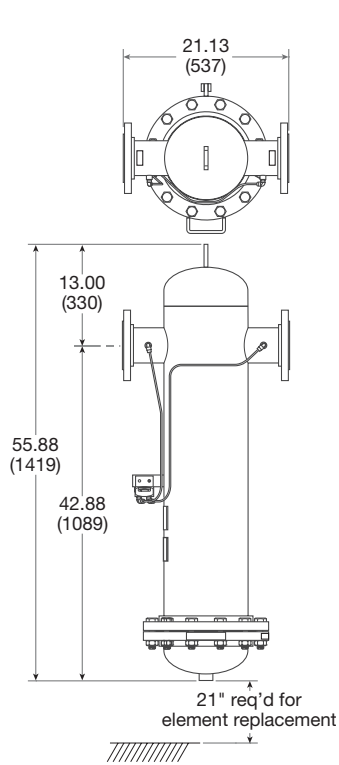
Most popular.



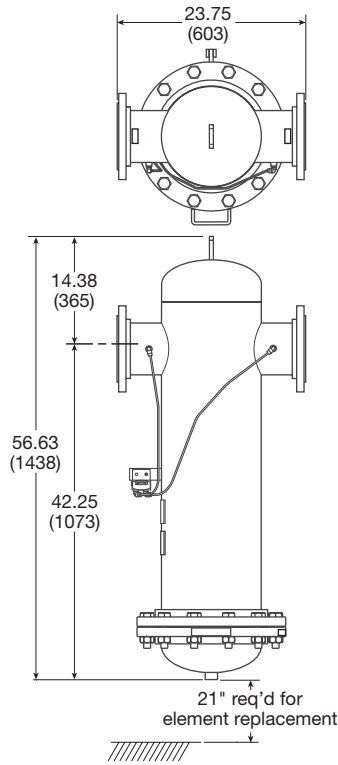
For inventory, lead times, and kit lookup, visit [www.pdnplu.com](http://www.pdnplu.com)

**P3TF Flanged Coalescing Filters**

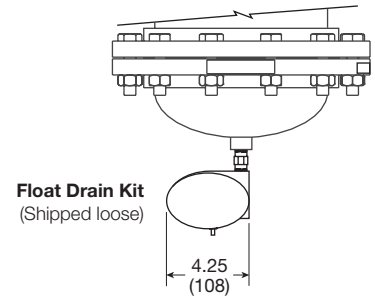
**General Industrial**



**P3TFAFFD2AN & P3TFAFFQ2AN**



**P3TFAFGD3AN & P3TFAFGQ3AN**



General Industrial Products
<b>H</b>
Filters
Coalescers
Regulators
Lubricators
Combinations



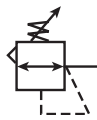
For inventory, lead time, and kit lookup, visit [www.pdnplu.com](http://www.pdnplu.com)

H15

**Parker Hannifin Corporation**  
Pneumatic Division  
Richland, Michigan  
[www.parker.com/pneumatics](http://www.parker.com/pneumatics)

## R119 Regulators – Standard

- High flow performance featuring rugged design for the most demanding applications
- Ideal for those installations calling for constant pressure with wide variation in flow
- Diaphragm operated design with balanced poppet design for quick and accurate regulation
- Secondary aspiration plus balanced poppet provides quick response and accurate pressure regulation
- Heavy duty tee handle adjustment
- Reverse flow version available
- Panel mount version available
- 1/4", 3/8", 1/2" ports (NPT, BSPP)



Port size	Description (0-125 psig reduced pressure)	Part number
1/4"	Without gauge, relieving, NPT	<b>R119-02C</b>
1/4"	With gauge, relieving, NPT	<b>R119-02CG</b>
3/8"	Without gauge, relieving, NPT	<b>R119-03C</b>
3/8"	With gauge, relieving, NPT	<b>R119-03CG</b>
1/2"	Without gauge, relieving, NPT	<b>R119-04C</b>
1/2"	With gauge, relieving, NPT	<b>R119-04CG</b>

### Operating information

Supply pressure (max):	300 psig (0 to 20.7 bar)	
Reduced pressure range:	2 to 125 psig (0.15 to 8.5 bar)	
Operating temperature:	40°F to 125°F (4.4°C to 52°C)	
Flow capacity†:		
High flow	1/4"	100 scfm (47.2 dm <sup>3</sup> /s, ANR)
	3/8"	110 scfm (51.9 dm <sup>3</sup> /s, ANR)
	1/2"	150 scfm (70.8 dm <sup>3</sup> /s, ANR)
Gauge ports (2):	1/4 inch	
Weight:	1/4"	1.8 lb (0.82 kg)
	3/8"	1.8 lb (0.82 kg)
	1/2"	3.2 lb (1.45 kg)

† scfm = Standard cubic feet per minute at 100 psig inlet, 75 psig no flow secondary setting and 20 psig pressure drop.

### Ordering information:

R119
-
02
C

/\*\*

Port Threads	
NPT	-
G BSPP	G

Port Size	
1/4 inch	02
3/8 inch	03
1/2 inch	04

Engineering Level	
/**	Will be entered at Factory

Reduced Pressure Range	
0-25 psig	A
0-60 psig	B
0-125 psig	C
0-250 psig	D

Options	
Blank	None
G	Gauge
K†	Non-relieving
X64**	Fluorocarbon o-rings and diaphragm
X80*	Reverse flow
X7	Brass bottom plug

\* Reverse flow for use downstream of control valves.  
 \*\* Brass bottom plug standard with X64 option.  
 † Not available with 250 psig spring.

Most popular.



For inventory, lead times, and kit lookup, visit [www.pdnplu.com](http://www.pdnplu.com)

General Industrial Products  
**H**  
 Filters  
 Coalescers  
 Regulators  
 Lubricators  
 Combinations

# Standard Regulators

## Material Specifications

Adjusting screw, springs	Steel
Body, spring cage	Zinc
Bottom plug	Nylon
Innervalve	Brass
Seals	Buna N

## Repair and Service Kits

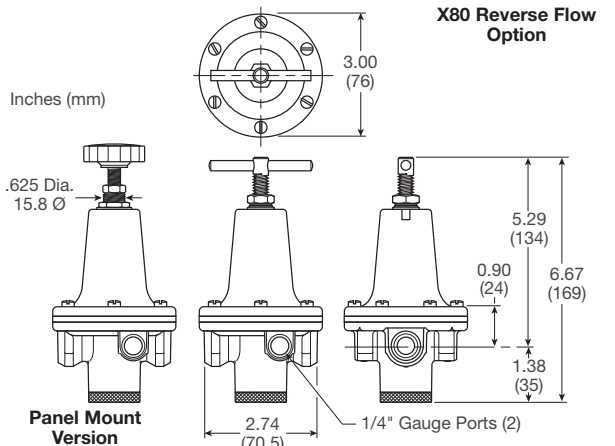
2" dial face 60 psig (0 to 4.1 bar), gauge	<b>K4520N14060</b>
2" dial face 160 psig (0 to 11.0 bar), gauge	<b>K4520N14160</b>
2" dial face 300 psig (0 to 20.7 bar), gauge	<b>K4520N14300</b>
1-3/4" digital round face 160 psig (0 to 11.0 bar), gauge	<b>K4517N14160D</b>
Mounting bracket, 1/4", 3/8"	<b>SA15Y57</b>
Mounting bracket, 1/2"	<b>18A57</b>
Panel mount conversion kit, 1/4", 3/8"	<b>4202</b>
Panel mount conversion kit, 1/2"	<b>4204</b>
Non-relieving diaphragm, valve assembly (1/4", 3/8"; all psig)	<b>RK118Y</b>
Relieving diaphragm, valve assembly (1/4", 3/8"; all psig)	<b>RK119Y</b>
Non-Relieving diaphragm, valve assembly (1/2"; 25, 60, 125 psig)	<b>RK118A</b>
Relieving diaphragm, valve assembly (1/2"; 25, 60, 125 psig)	<b>RK119A</b>
Relieving diaphragm, valve assembly (1/2"; 250 psig)	<b>RK119A250</b>
Spring cage & T-handle kit (1/4 & 3/8)	<b>RKC119Y</b>
Spring cage & insert only kit (1/2)	<b>SAC18A3/BK</b>

For fluorocarbon repair kits, add X64 to kit number suffix.

### CAUTION:

**REGULATOR PRESSURE ADJUSTMENT** – The working range of knob adjustment is designed to permit outlet pressures within their full range. Pressure adjustment beyond this range is also possible because the knob is not a limiting device. This is a common characteristic of most industrial regulators, and limiting devices may be obtained only by special design. For best performance, regulated pressure should always be set by increasing the pressure up to the desired setting.

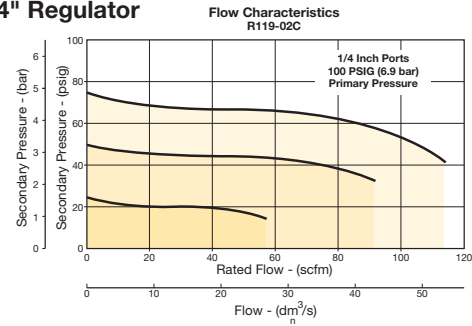
### R119-02C, R119-03C



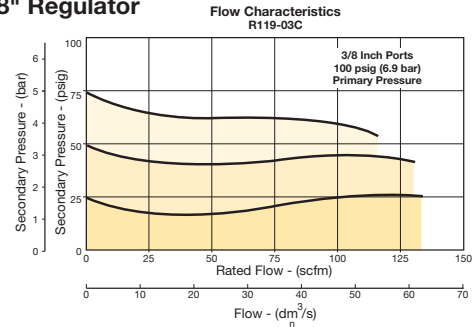
# Air Preparation Products General Industrial

## Flow Charts

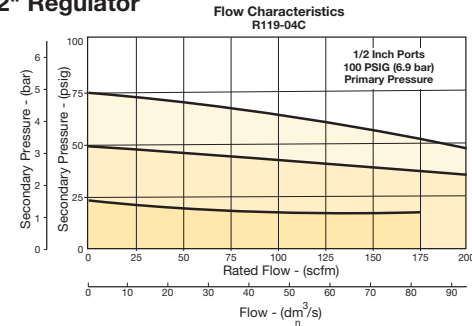
### R119 1/4" Regulator



### R119 3/8" Regulator



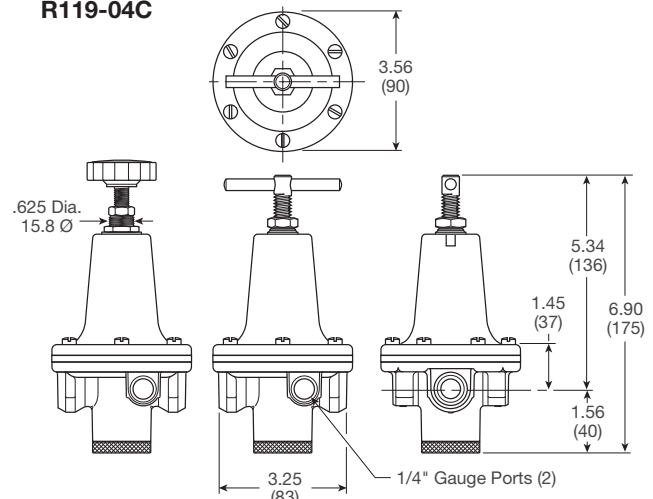
### R119 1/2" Regulator



**⚠ WARNING**

**Product rupture can cause serious injury.  
Do not connect regulator to bottled gas.  
Do not exceed Maximum primary pressure rating.**

### R119-04C



For inventory, lead time, and kit lookup, visit [www.pdnplu.com](http://www.pdnplu.com)

H17

**Parker Hannifin Corporation**  
Pneumatic Division  
Richland, Michigan  
[www.parker.com/pneumatics](http://www.parker.com/pneumatics)

General Industrial Products

H

Filters

Coalescers

Regulators

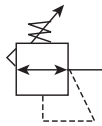
Lubricators

Combinations

Hi-Flow Regulators

R119 Regulators – Hi-Flow

- High flow performance featuring rugged design for the most demanding applications
- Ideal for those installations calling for constant pressure with wide variation in flow
- Diaphragm operated design with balanced poppet design for quick and accurate regulation
- Secondary aspiration plus balanced poppet provides quick response and accurate pressure regulation
- Heavy duty tee handle adjustment
- Reverse flow version available
- 3/4", 1", 1-1/2" ports (NPT, BSPP)



Port size	Description (0-125 psig reduced pressure)	Part number
3/4"	Without gauge, relieving, NPT	<b>R119-06C</b>
3/4"	With gauge, relieving, NPT	<b>R119-06CG</b>
1"	Without gauge, relieving, NPT	<b>R119-08C</b>
1"	With gauge, relieving, NPT	<b>R119-08CG</b>
1-1/2"	Without gauge, relieving, NPT	<b>R119-12C</b>
1-1/2"	With gauge, relieving, NPT	<b>R119-12CG</b>

Operating information

Supply pressure (max):	300 psig (0 to 20.7 bar)	
Reduced pressure range:	2 to 125 psig (0.15 to 8.5 bar)	
Operating temperature:	40°F to 125°F (4.4°C to 52°C)	
Flow capacity†:		
High flow	3/4"	300 scfm (141.6 dm <sup>3</sup> /s, ANR)
	1"	400 scfm (188.8 dm <sup>3</sup> /s, ANR)
	1-1/2"	500 scfm (236 dm <sup>3</sup> /s, ANR)
Gauge ports (2):	1/4 inch	
Weight:	3/4"	6.2 lb (2.81 kg)
	1"	6.2 lb (2.81 kg)
	1-1/2"	7.2 lb (3.27 kg)

† scfm = Standard cubic feet per minute at 100 psig inlet, 75 psig no flow secondary setting and 20 psig pressure drop.

Ordering information:

<b>R119</b>	-	<b>06</b>	<b>C</b>		<b>/**</b>															
<table border="1"> <thead> <tr><th>Port Threads</th></tr> </thead> <tbody> <tr><td>NPT</td><td>-</td></tr> <tr><td>G BSPP</td><td>G</td></tr> </tbody> </table>		Port Threads	NPT	-	G BSPP	G	<table border="1"> <thead> <tr><th>Port Size</th></tr> </thead> <tbody> <tr><td>3/4 inch</td><td>06</td></tr> <tr><td>1 inch</td><td>08</td></tr> <tr><td>1-1/2 inch</td><td>12</td></tr> </tbody> </table>		Port Size	3/4 inch	06	1 inch	08	1-1/2 inch	12	<table border="1"> <thead> <tr><th>Engineering Level</th></tr> </thead> <tbody> <tr><td>**</td><td>Will be entered at Factory</td></tr> </tbody> </table>		Engineering Level	**	Will be entered at Factory
Port Threads																				
NPT	-																			
G BSPP	G																			
Port Size																				
3/4 inch	06																			
1 inch	08																			
1-1/2 inch	12																			
Engineering Level																				
**	Will be entered at Factory																			
			<table border="1"> <thead> <tr><th>Options</th></tr> </thead> <tbody> <tr><td>Blank</td><td>None</td></tr> <tr><td>G</td><td>Gauge</td></tr> <tr><td>K</td><td>Non-relieving</td></tr> <tr><td>X64**</td><td>Fluorocarbon o-rings and diaphragm</td></tr> <tr><td>X80*</td><td>Reverse flow</td></tr> <tr><td>X7</td><td>Brass Bottom Plug</td></tr> </tbody> </table>			Options	Blank	None	G	Gauge	K	Non-relieving	X64**	Fluorocarbon o-rings and diaphragm	X80*	Reverse flow	X7	Brass Bottom Plug		
Options																				
Blank	None																			
G	Gauge																			
K	Non-relieving																			
X64**	Fluorocarbon o-rings and diaphragm																			
X80*	Reverse flow																			
X7	Brass Bottom Plug																			
			<table border="1"> <thead> <tr><th>Reduced Pressure Range</th></tr> </thead> <tbody> <tr><td>0-125 psig</td><td>C</td></tr> <tr><td>0-250 psig</td><td>D</td></tr> </tbody> </table>			Reduced Pressure Range	0-125 psig	C	0-250 psig	D										
Reduced Pressure Range																				
0-125 psig	C																			
0-250 psig	D																			
			<p>* Reverse flow for use downstream of control valves. ** Brass bottom plug standard with X64 option.</p>																	

Most popular.



For inventory, lead times, and kit lookup, visit [www.pdnplu.com](http://www.pdnplu.com)

# Hi-Flow Regulators

## Material Specifications

Adjusting screw, springs	Steel
Body, spring cage	Zinc
Bottom plug	Nylon
Innervalve	Brass
Seals	Buna N

## Repair and Service Kits

2" dial face 60 psig (0 to 4.1 bar), gauge	<b>K4520N14060</b>
2" dial face 160 psig (0 to 11.0 bar), gauge	<b>K4520N14160</b>
2" dial face 300 psig (0 to 20.7 bar), gauge	<b>K4520N14300</b>
1-3/4" digital round face 160 psig (0 to 11.0 bar), gauge	<b>K4517N14160D</b>
Mounting bracket kit	<b>18B57</b>
Non-relieving diaphragm, valve assembly (3/4", 1")	<b>RK118B</b>
Non-relieving diaphragm, valve assembly (1-1/2")	<b>RK118D</b>
Relieving diaphragm, valve assembly (3/4", 1")	<b>RK119B</b>
Relieving diaphragm, valve assembly (1-1/2")	<b>RK119D</b>

For Fluorocarbon Repair Kits, add X64 to kit number suffix.

### WARNING

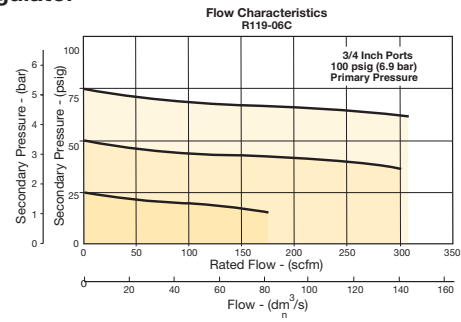
**Product rupture can cause serious injury.  
Do not connect regulator to bottled gas.  
Do not exceed Maximum primary pressure rating.**

## CAUTION:

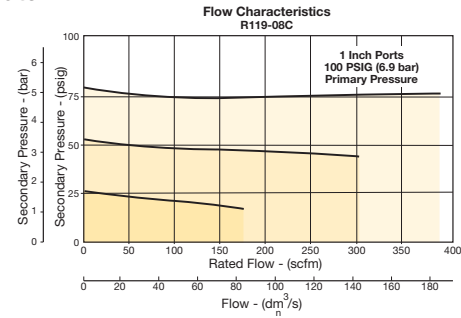
**REGULATOR PRESSURE ADJUSTMENT** – The working range of knob adjustment is designed to permit outlet pressures within their full range. Pressure adjustment beyond this range is also possible because the knob is not a limiting device. This is a common characteristic of most industrial regulators, and limiting devices may be obtained only by special design. For best performance, regulated pressure should always be set by increasing the pressure up to the desired setting.

## Flow Charts

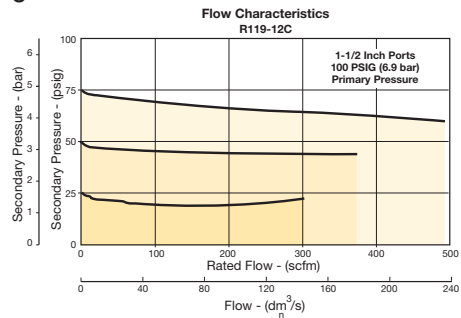
### 3/4" Regulator



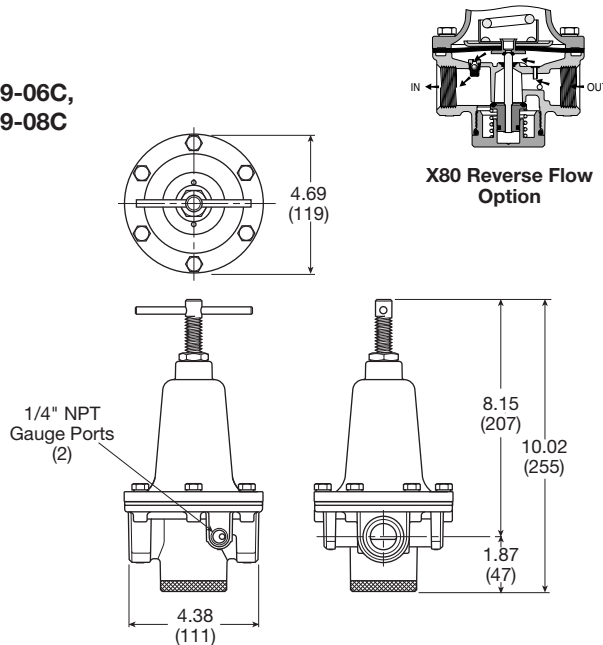
### 1" Regulator



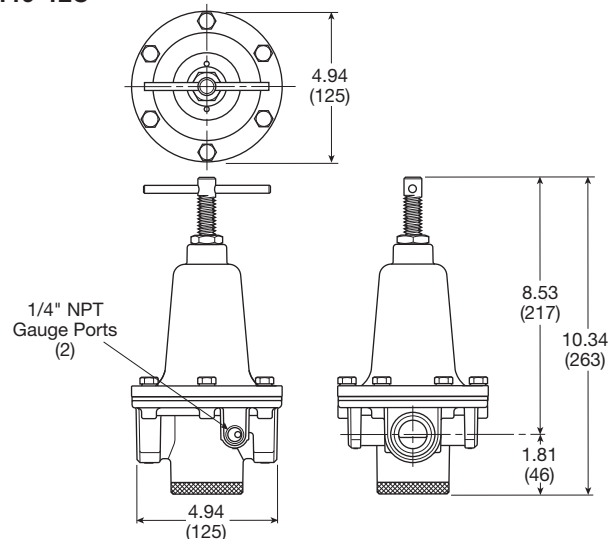
### 1-1/2" Regulator



### R119-06C, R119-08C



### R119-12C



Inches (mm)

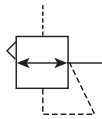


For inventory, lead time, and kit lookup, visit [www.pdnplu.com](http://www.pdnplu.com)

H19

## R119 – Pilot Operated Regulators

- Adapted for control by a remote or distant small pilot regulator. Ideal for maximum capacity requirements in applications where units are not readily accessible
- High flow performance featuring rugged design for the most demanding applications
- Ideal for those installations calling for constant pressure with wide variation in flow
- Diaphragm operated design with balanced poppet and constant bleed pilot for quick and accurate regulation.
- Secondary aspiration plus balanced poppet provides quick response and accurate pressure regulation
- Reverse flow available
- 1/4", 3/8", 1/2" ports (NPT, BSPP)



Port size	Description (0-125 psig reduced pressure)	Part number
1/4"	Without gauge, relieving, NPT	<b>R119-02J</b>
3/8"	Without gauge, relieving, NPT	<b>R119-03J</b>
1/2"	Without gauge, relieving, NPT	<b>R119-04J</b>

### Operating information

Supply pressure (max):	300 psig (0 to 20.7 bar)	
Air consumption:	Constant bleed from air pilot chamber: approx. 0.17 scfm (10 scfh)	
Operating temperature:	40°F to 125°F (4.4°C to 52°C)	
Pilot pressure:	1/4", 3/8" thread - 1/8" 1/2" thread - 1/4"	
Reduced pressure range:	Adjustable to within 5 to 7 psig (0.34 to 0.48 bar) of supply pressure	
Flow capacity†:		
High flow	1/4"	100 scfm (47.2 dm³/s, ANR)
	3/8"	110 scfm (51.9 dm³/s, ANR)
	1/2"	150 scfm (70.8 dm³/s, ANR)
Gauge ports (2):	1/4 inch	
Weight:	1/4"	1.6 lb (0.73 kg)
	3/8"	1.6 lb (0.73 kg)
	1/2"	2.6 lb (1.18 kg)

† scfm = Standard cubic feet per minute at 100 psig inlet, 75 psig no flow secondary setting and 20 psig pressure drop.

### Ordering information:

<b>R119</b>	-	<b>02</b>	<b>J</b>	□	<b>/**</b>																
<table border="1"> <thead> <tr><th>Port Threads</th></tr> </thead> <tbody> <tr><td>NPT</td><td>-</td></tr> <tr><td>BSPP</td><td>G</td></tr> </tbody> </table>		Port Threads	NPT	-	BSPP	G	<table border="1"> <thead> <tr><th>Port Size</th><th></th></tr> </thead> <tbody> <tr><td>1/4 inch</td><td>02</td></tr> <tr><td>3/8 inch</td><td>03</td></tr> <tr><td>1/2 inch</td><td>04</td></tr> </tbody> </table>		Port Size		1/4 inch	02	3/8 inch	03	1/2 inch	04	<table border="1"> <thead> <tr><th>Engineering Level</th></tr> </thead> <tbody> <tr><td>**</td><td>Will be entered at Factory</td></tr> </tbody> </table>		Engineering Level	**	Will be entered at Factory
Port Threads																					
NPT	-																				
BSPP	G																				
Port Size																					
1/4 inch	02																				
3/8 inch	03																				
1/2 inch	04																				
Engineering Level																					
**	Will be entered at Factory																				
			<table border="1"> <thead> <tr><th>Options</th></tr> </thead> <tbody> <tr><td>Blank</td><td>None</td></tr> <tr><td>K</td><td>Non-relieving</td></tr> <tr><td>X64*</td><td>Fluorocarbon o-rings and diaphragm</td></tr> <tr><td>X71</td><td>Non-bleed (for use with electronic controllers)</td></tr> <tr><td>X7</td><td>Brass bottom plug</td></tr> </tbody> </table>			Options	Blank	None	K	Non-relieving	X64*	Fluorocarbon o-rings and diaphragm	X71	Non-bleed (for use with electronic controllers)	X7	Brass bottom plug					
Options																					
Blank	None																				
K	Non-relieving																				
X64*	Fluorocarbon o-rings and diaphragm																				
X71	Non-bleed (for use with electronic controllers)																				
X7	Brass bottom plug																				
			<table border="1"> <thead> <tr><th>Reduced Pressure Range</th><th></th></tr> </thead> <tbody> <tr><td>Air pilot operated</td><td>J</td></tr> </tbody> </table>			Reduced Pressure Range		Air pilot operated	J												
Reduced Pressure Range																					
Air pilot operated	J																				
* Brass bottom plug standard with X64 option.																					

Most popular.



For inventory, lead times, and kit lookup, visit [www.pdnplu.com](http://www.pdnplu.com)

H20

**Parker Hannifin Corporation**  
 Pneumatic Division  
 Richland, Michigan  
[www.parker.com/pneumatics](http://www.parker.com/pneumatics)



**Material Specifications**

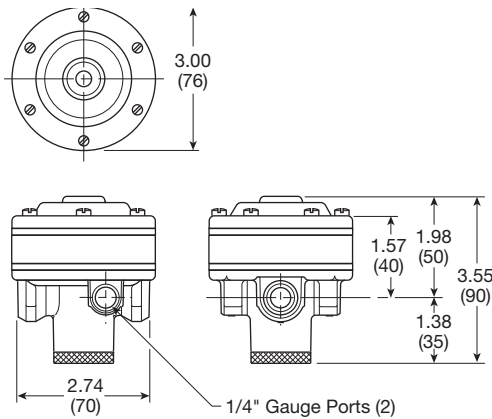
Body, ring, top plate	Zinc
Bottom plug	Nylon
Innervalve	Brass
Seals	Buna N

**Repair and Service Kits**

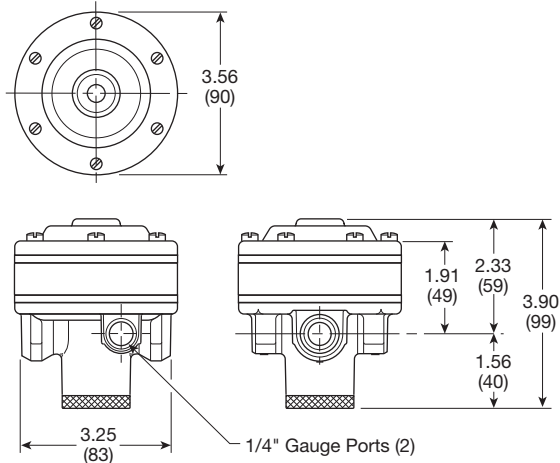
2" dial face 60 psig (0 to 4.1 bar), gauge	<b>K4520N14060</b>
2" dial face 160 psig (0 to 11.0 bar), gauge	<b>K4520N14160</b>
2" dial face 300 psig (0 to 20.7 bar), gauge	<b>K4520N14300</b>
1-3/4" digital round face 160 psig (0 to 11.0 bar), gauge	<b>K4517N14160D</b>
Non-relieving diaphragm, valve assembly (1/2")	<b>RK118X20A</b>
Non-relieving diaphragm, valve assembly (1/4", 3/8")	<b>RK118X20Y</b>
Relieving diaphragm, valve assembly (1/2")	<b>RK119X20A</b>
Relieving diaphragm, valve assembly (1/4", 3/8")	<b>RK119X20Y</b>

For fluorocarbon repair kits, add X64 to kit number suffix.  
 For non-bleed pilot repair kits, add X71 to kit number suffix.

**R119-02J, R119-03J**



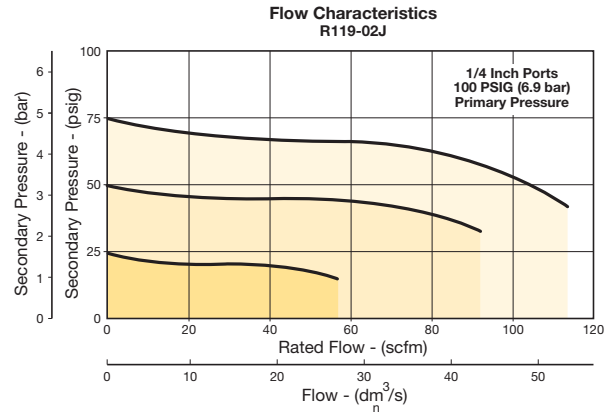
**R119-04J**



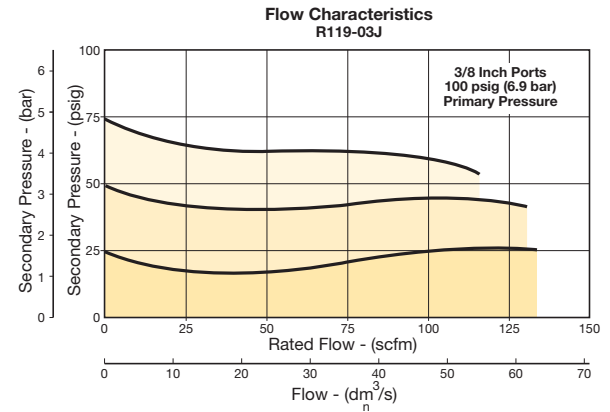
inches (mm)

**Flow Charts**

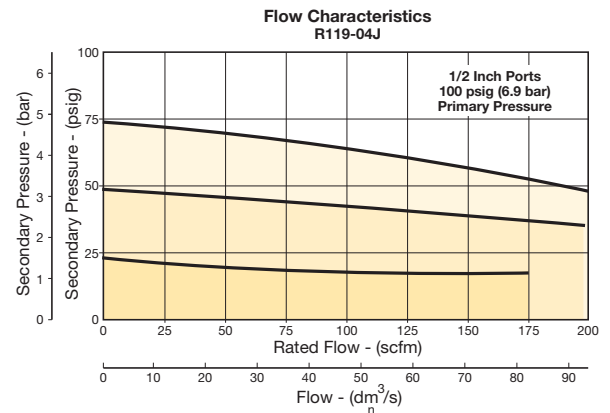
**R119 1/4" Regulator**



**R119 3/8" Regulator**



**R119 1/2" Regulator**



**⚠ WARNING**

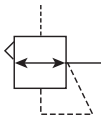
**Product rupture can cause serious injury.  
 Do not connect regulator to bottled gas.  
 Do not exceed Maximum primary pressure rating.**



For inventory, lead time, and kit lookup, visit [www.pdnplu.com](http://www.pdnplu.com)

## R119 Pilot Operated Regulators - Hi-Flow

- Adapted for control by a remote or distant small pilot regulator. Ideal for maximum capacity requirements in applications where units are not readily accessible
- High flow performance featuring rugged design for the most demanding applications
- Ideal for those installations calling for constant pressure with wide variation in flow
- Diaphragm operated design with balanced poppet and constant bleed pilot for quick and accurate regulation
- Secondary aspiration plus balanced poppet provides quick response and accurate pressure regulation
- Reverse flow version available
- 3/4", 1", 1-1/2" ports (NPT, BSPP)



Port size	Description (0-125 psig reduced pressure)	Part number
3/4"	Without gauge, relieving, NPT	<b>R119-06J</b>
1"	Without gauge, relieving, NPT	<b>R119-08J</b>
1-1/2"	Without gauge, relieving, NPT	<b>R119-12J</b>

### Operating information

Supply pressure (max):	300 psig (0 to 20.7 bar)	
Air consumption:	Constant bleed from air pilot chamber: approx. 0.17 scfm (10 scfh)	
Operating temperature:	40°F to 125°F (4.4°C to 52°C)	
Reduced pressure range:	Adjustable to within 5 to 7 psig (0.34 to 0.48 bar) of supply pressure	
Flow capacity†:		
High flow	3/4"	300 scfm (141.6 dm³/s, ANR)
	1"	300 scfm (141.6 dm³/s, ANR)
	1-1/2"	500 scfm (236 dm³/s, ANR)
Gauge ports (2):	1/4 inch	
Weight:	3/4"	5.2 lb (2.36 kg)
	1"	5.2 lb (2.36 kg)
	1-1/2"	5.6 lb (2.54 kg)

† scfm = Standard cubic feet per minute at 100 psig inlet, 75 psig no flow secondary setting and 20 psig pressure drop.

### Ordering information:

<b>R119</b>	<b>-</b>	<b>06</b>	<b>J</b>	<b>/**</b>
<b>Port Threads</b>				<b>Engineering Level</b>
NPT	-			/** Will be entered at Factory
BSPP	G			
	<b>Port Size</b>			<b>Options</b>
	3/4 inch	06		Blank None
	1 inch	08		K Non-relieving
	1-1/2 inch	12		X64* Fluorocarbon o-rings and diaphragm
				X71 Non-bleed (for use with electronic controllers)
				X80 Reverse flow
	<b>Reduced Pressure Range</b>			
	Air pilot operated	J		

\* Brass bottom plug standard with X64 option.

Most popular.



For inventory, lead times, and kit lookup, visit [www.pdnplu.com](http://www.pdnplu.com)

H22

**Parker Hannifin Corporation**  
 Pneumatic Division  
 Richland, Michigan  
[www.parker.com/pneumatics](http://www.parker.com/pneumatics)

# Hi-Flow Regulators

## Material Specifications

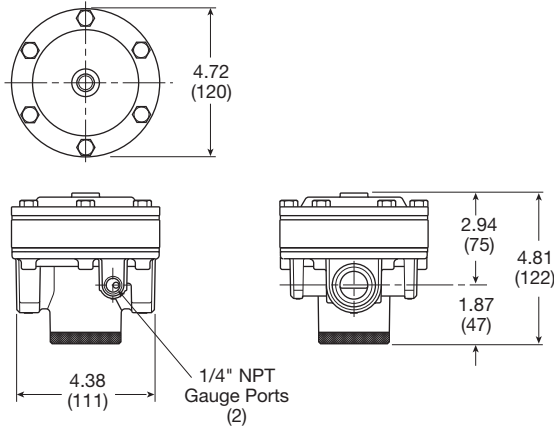
Body, ring, top plate	Zinc
Bottom plug, innervalve	Brass
Seals	Buna N

## Repair and Service Kits

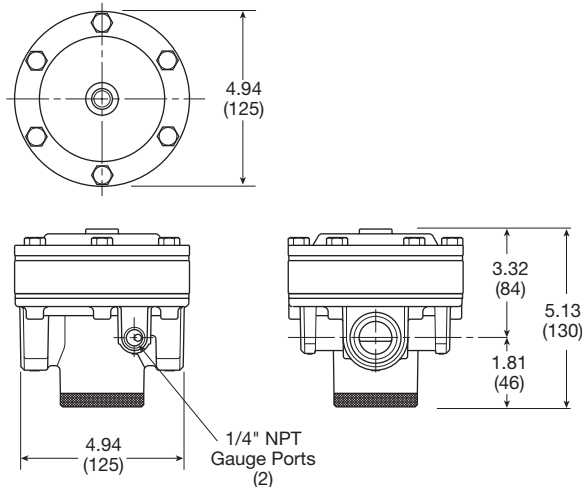
2" dial face 60 psig (0 to 4.1 bar), gauge	<b>K4520N14060</b>
2" dial face 160 psig (0 to 11.0 bar), gauge	<b>K4520N14160</b>
2" dial face 300 psig (0 to 20.7 bar), gauge	<b>K4520N14300</b>
1-3/4" digital round face 160 psig (0 to 11.0 bar), gauge	<b>K4517N14160D</b>
Non-relieving diaphragm, valve assembly (3/4", 1")	<b>RK118X20B</b>
Non-relieving diaphragm, valve assembly (1-1/4", 1-1/2")	<b>RK118X20D</b>
Relieving diaphragm, valve assembly (3/4", 1")	<b>RK119X20B</b>
Relieving diaphragm, valve assembly (1-1/4", 1-1/2")	<b>RK119X20D</b>

For Fluorocarbon Repair Kits, add X64 to Kit Number suffix.

### R119-06J, R119-08J



### R119-12J

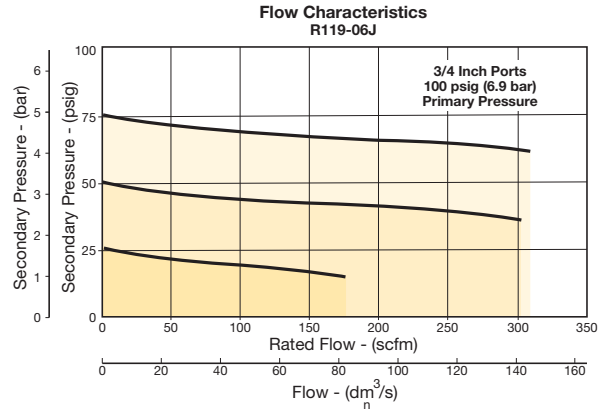


Inches (mm)

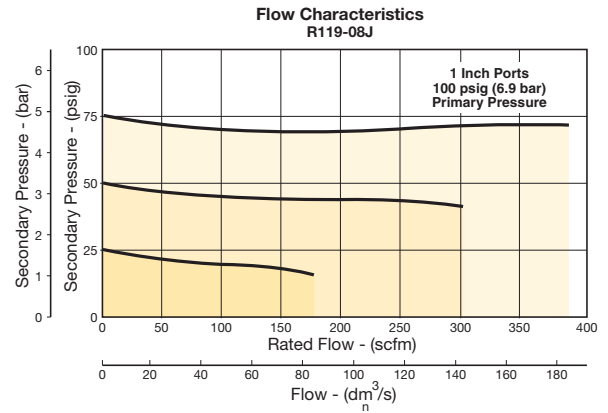
# Air Preparation Products General Industrial

## Flow Charts

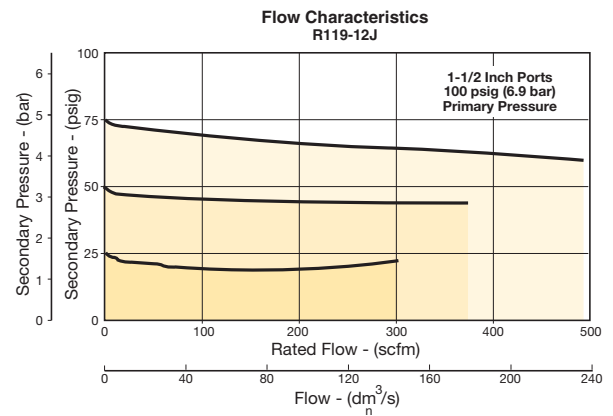
### R119 3/4" Regulator



### R119 1" Regulator



### R119 1-1/2" Regulator



**⚠ WARNING**

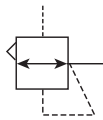
**Product rupture can cause serious injury.  
Do not connect regulator to bottled gas.  
Do not exceed Maximum primary pressure rating.**



For inventory, lead time, and kit lookup, visit [www.pdnplu.com](http://www.pdnplu.com)

## R119 Pilot Operated Regulators - Hi-Flow

- Adapted for control by a remote or distant small pilot regulator. Ideal for maximum capacity requirements in applications where units are not readily accessible
- High flow performance featuring rugged design for the most demanding applications
- Ideal for those installations calling for constant pressure with wide variation in flow
- Piston operated design with balanced poppet and dual constant bleed for quick and accurate regulation
- 2", 2-1/2" ports (NPT, BSPP)



Port size	Description (0-125 psig reduced pressure)	Part number
2"	Without gauge, relieving, NPT	<b>R119-16J</b>
2-1/2"	Without gauge, relieving, NPT	<b>R119-20J</b>

### Operating information

Supply pressure (max):	300 psig (0 to 20.7 bar)		
Air consumption:	Air pilot chamber: approx. 0.17 scfm (10 scfh)		
Constant bleed from:	Reduced pressure: approx. 0.17 scfm (10 scfh)		
Operating temperature:	40°F to 120°F (4.4°C to 48.9°C)		
Reduced pressure range:	Adjustable to within 5 to 7 psig (0.34 to 0.48 bar) of supply pressure		
Flow capacity†:			
High flow	2"	1800 scfm (850 dm <sup>3</sup> /s, ANR)	
	2-1/2"	1800 scfm (850 dm <sup>3</sup> /s, ANR)	
Gauge ports (2):			
Can be used for full flow	1/4 inch		
High pressure outlet for pilot	1/4 inch		
Weight:	15 lb (6.8 kg)		

† scfm = Standard cubic feet per minute at 100 psig inlet, 75 psig no flow secondary setting and 20 psig pressure drop.

### Ordering information:

**R119 - 16 J**

Port Threads	-
NPT	-
BSPP	G

Reduced Pressure Range	J	Air pilot operated
------------------------	---	--------------------

Port Size	16
2 inch	16
2-1/2 inch	20

NOTE: Non-relieving not available.

Most popular.



For inventory, lead times, and kit lookup, visit [www.pdnplu.com](http://www.pdnplu.com)

H24

**Parker Hannifin Corporation**  
 Pneumatic Division  
 Richland, Michigan  
[www.parker.com/pneumatics](http://www.parker.com/pneumatics)

General Industrial Products  
**H**  
 Filters  
 Coalescers  
 Regulators  
 Lubricators  
 Combinations

# Hi-Flow Regulators

## Material Specifications

Body, piston	Aluminum
Seals	Buna N
Innervalve	Brass & stainless

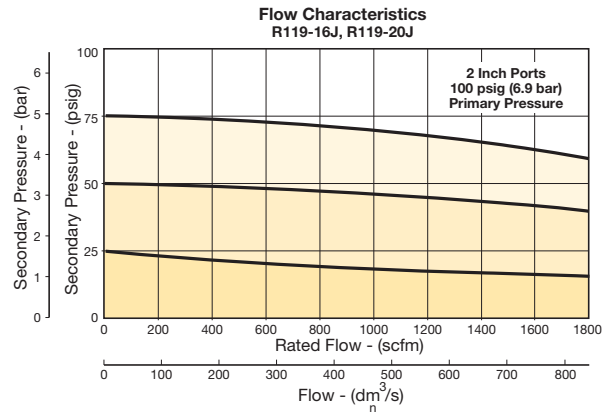
## Repair and Service Kits

2" dial face 60 psig (0 to 4.1 bar), gauge	<b>K4520N14060</b>
2" dial face 160 psig (0 to 11.0 bar), gauge	<b>K4520N14160</b>
2" dial face 300 psig (0 to 20.7 bar), gauge	<b>K4520N14300</b>
1-3/4" digital round face 160 psig (0 to 11.0 bar), gauge	<b>K4517N14160D</b>
Piston type regulation (2", 2-1/2")	<b>RK119G</b>

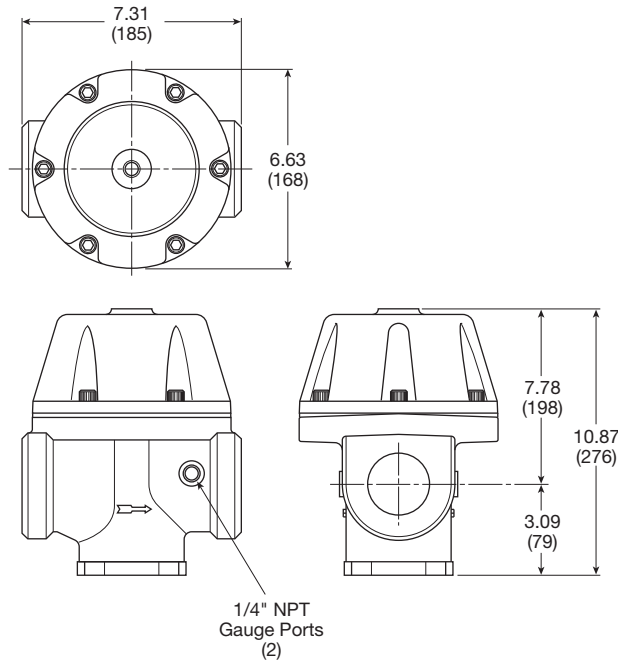
# Air Preparation Products General Industrial

## Flow Charts

### R119 2" Regulator



### R119-16J, R119-20J



Inches (mm)

### WARNING

Product rupture can cause serious injury.  
Do not connect regulator to bottled gas.  
Do not exceed Maximum primary pressure rating.

General Industrial  
Products

H

Filters

Coalescers

Regulators

Lubricators

Combinations



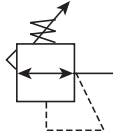
For inventory, lead time, and kit lookup, visit [www.pdnplu.com](http://www.pdnplu.com)

H25

**Parker Hannifin Corporation**  
Pneumatic Division  
Richland, Michigan  
[www.parker.com/pneumatics](http://www.parker.com/pneumatics)

## 09R Regulators – Hi-Flow

- Piston design for reduced downtime
- High flow
- Balanced poppet for quick and accurate regulation.
- Two full flow 1/4" gauge ports which can be used as additional outlets
- Self relieving piston standard
- 2" ports (NPT)



Port size	Description	Part number
2"	Without gauge, relieving	<b>09R813BA</b>

### Operating information

Supply pressure (max):	300 psig (0 to 20.7 bar)
Secondary pressure range:	10 to 125 psig (0.7 to 8.6 bar) 10 to 180 psig (0.7 to 12.4 bar)
Operating temperature:	32°F to 150°F (0°C to 65.6°C)
Flow capacity†:	
High flow	1000 scfm (472 dm <sup>3</sup> /s, ANR)
Gauge ports (2):	1/4 inch (can be used as additional full flow 1/4 inch outlet ports)
Weight:	10.82 lb (53 kg)

† scfm = Standard cubic feet per minute at 100 psig inlet, 90 psig no flow secondary setting and 10 psig pressure drop.

### Ordering information:

<b>09R</b>	<b>8</b>	<b>13</b>	<b>B</b>	<b>A</b>
<b>Port Threads</b>	<b>8</b>			<b>Engineering Level</b>
2 inch				A Current
	<b>Pressure Range</b>		<b>Relief</b>	
	125 psig 13		B Relieving	
	180 psig 15		M Non-relieving	

Most popular.



For inventory, lead times, and kit lookup, visit [www.pdnplu.com](http://www.pdnplu.com)

H26

**Parker Hannifin Corporation**  
 Pneumatic Division  
 Richland, Michigan  
[www.parker.com/pneumatics](http://www.parker.com/pneumatics)

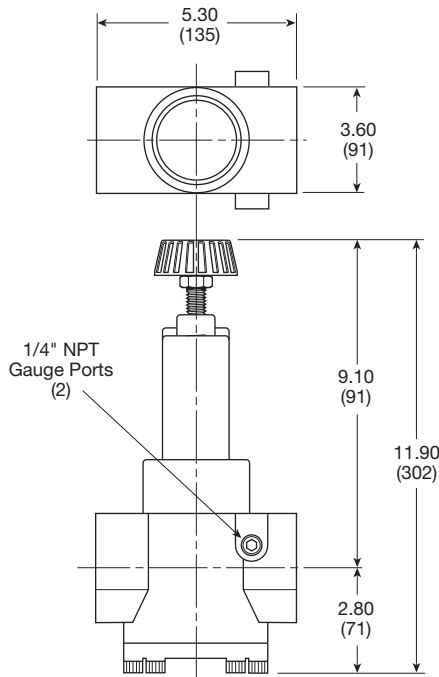
# Hi-Flow Regulators

## Material Specifications

Adjusting stem & springs	Steel
Body	Zinc Alloy
Bonnet, piston stem, valve poppet & cap	Aluminum
Piston, cap	Plastic
Seals	Nitrile

## Repair and Service Kits

Body service kit	<b>PS603P</b>
2" dial face 160 psig (0 to 11.0 bar), gauge	<b>K4520N14160</b>
2" dial face 300 psig (0 to 20.7 bar), gauge	<b>K4520N14300</b>
1-3/4" digital round face 160 psig (0 to 11.0 bar), gauge	<b>K4517N14160D</b>
Mounting bracket kit	<b>PS605P</b>
Non-relieving	<b>PS604P</b>
Relieving	<b>PS626P</b>
0 to 125 psig spring	<b>PS602P</b>
0 to 180 psig spring	<b>PS627</b>

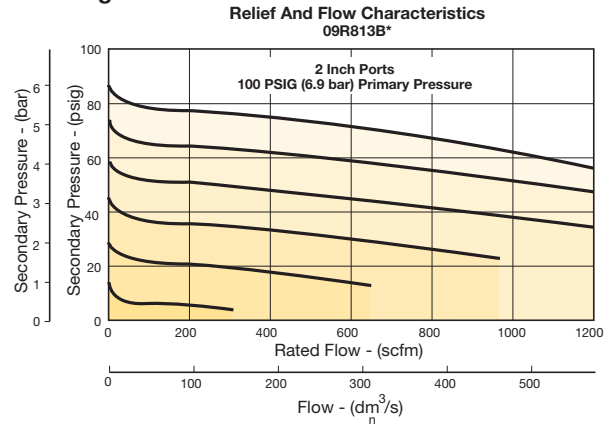


Inches (mm)

# Air Preparation Products General Industrial

## Flow Charts

### 09R 2" Regulator



### WARNING

**Product rupture can cause serious injury.  
Do not connect regulator to bottled gas.  
Do not exceed Maximum primary pressure rating.**

### CAUTION:

**REGULATOR PRESSURE ADJUSTMENT** – The working range of knob adjustment is designed to permit outlet pressures within their full range. Pressure adjustment beyond this range is also possible because the knob is not a limiting device. This is a common characteristic of most industrial regulators, and limiting devices may be obtained only by special design. For best performance, regulated pressure should always be set by increasing the pressure up to the desired setting.



For inventory, lead time, and kit lookup, visit [www.pdnplu.com](http://www.pdnplu.com)

H27

**Parker Hannifin Corporation**  
Pneumatic Division  
Richland, Michigan  
[www.parker.com/pneumatics](http://www.parker.com/pneumatics)

## L606 Lubricators – Standard

- Metal bowl with sight gauge - standard
- Polycarbonate sight dome
- Bowl can be filled while air line is under pressure
- Proportional oil delivery over a wide range of air flows
- Large capacity bowl
- Optional high capacity bowl(s) available
- Precision needle valve assures repeatable oil delivery and provides simple adjustment of delivery rate
- 3/4", 1" ports, (NPT, BSPP)



Port size	Description	Part number
3/4"	16 oz. bowl with sight gauge, drain	<b>L606-06W</b>
1"	16 oz. bowl with sight gauge, drain	<b>L606-08W</b>
3/4"	32 oz. bowl without sight gauge, with drain	<b>L606-06E</b>
1"	32 oz. bowl without sight gauge, with drain	<b>L606-08E</b>
3/4"	64 oz. bowl with sight gauge, no drain	<b>L606-06G</b>
1"	64 oz. bowl with sight gauge, no drain	<b>L606-08G</b>

### Operating information

Supply pressure (max):		
Aluminum (E)		300 psig (20.7 bar)
Aluminum with gauge (G)		150 psig (10.2 bar)
Zinc with gauge (W)		250 psig (17.2 bar)
Operating temperature:		
Aluminum (E)		40°F to 150°F (4.4°C to 65.6°C)
Aluminum with gauge (G)		40°F to 125°F (4.4°C to 52°C)
Zinc with gauge (W)		40°F to 150°F (4.4°C to 65.6°C)
Flow capacity†:		
High flow	3/4"	325 scfm (153.4 dm³/s, ANR)
	1"	350 scfm (165.2 dm³/s, ANR)
Bowl capacity:		
Aluminum (E)		32 oz.
Aluminum with gauge (G)		64 oz.
Zinc with gauge (W)		16 oz.
Weight:		
	16 oz (W)	4.2 lb (1.91 kg)
	32 oz (E)	5.5 lb (2.49 kg)
	64 oz (G)	7.2 lb (3.27 kg)

† scfm = Standard cubic feet per minute at 100 psig inlet and 5 psig pressure drop.  
 ( ) Bowl type.

### Ordering information:

<b>L606</b>	<b>-</b>	<b>06</b>	<b>W</b>		<b>/**</b>
<b>Port Threads</b> NPT - BSPP G		<b>Port Size</b> 3/4 inch 06 1 inch 08		<b>Engineering Level</b> /** Will be entered at Factory	
<b>Bowl</b> 32 oz. Large capacity without sight gauge with drain E 64 oz. Large capacity with sight gauge G 16 oz. Metal with sight gauge with drain W		<b>Options</b> Blank None H Button head fill fitting X9* Manual twist drain (increases product length by 9/16 inch)			
* Standard with "E" & "W" bowl, optional with "G" bowl.					

**Suggested Lubricant** ..... **F442 Oil**

Petroleum based oil of 100 to 200 SUS viscosity at 100°F (38°C) and an aniline point greater than 200°F (93°C)

(DO NOT USE OILS WITH ADDITIVES, COMPOUNDED OILS CONTAINING SOLVENTS, GRAPHITE, DETERGENTS, OR SYNTHETIC OILS.)

Most popular.



For inventory, lead times, and kit lookup, visit [www.pdnplu.com](http://www.pdnplu.com)

H28

**Parker Hannifin Corporation**  
 Pneumatic Division  
 Richland, Michigan  
[www.parker.com/pneumatics](http://www.parker.com/pneumatics)

General Industrial Products

H

Filters

Coalescers

Regulators

Lubricators

Combinations



## Standard Lubricators

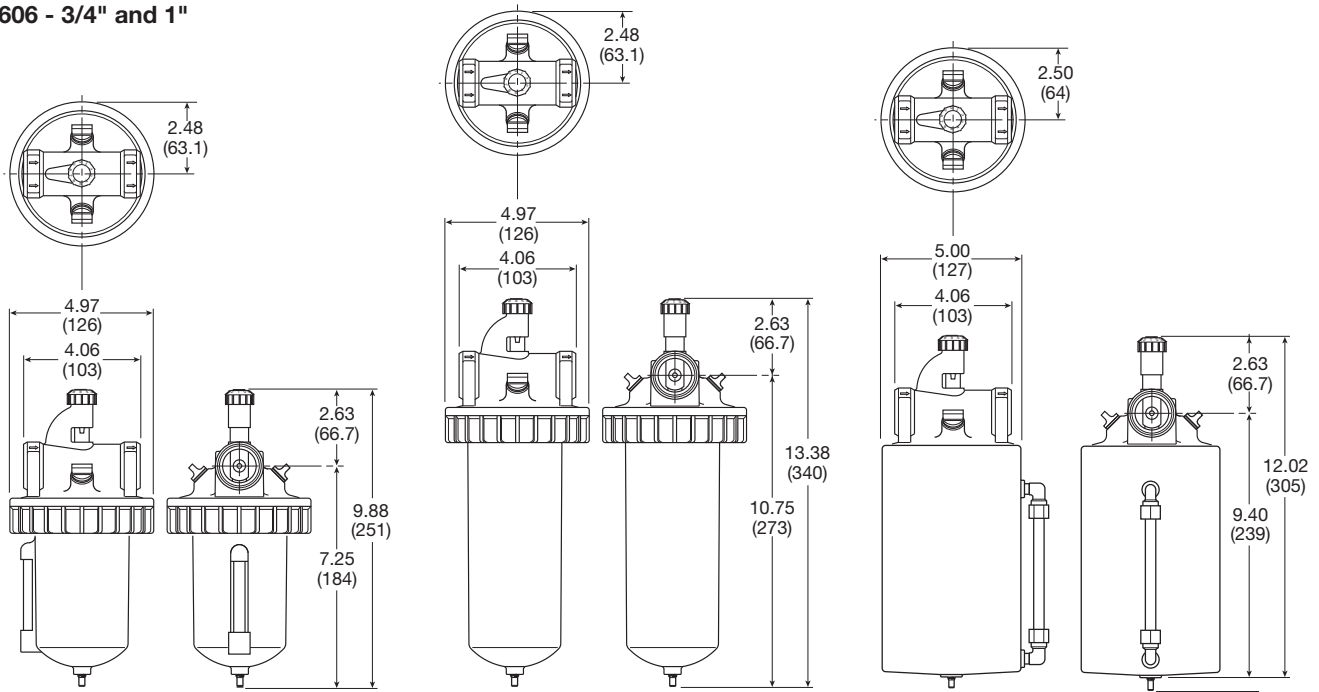
### Material Specifications

Body	Zinc
Bowl, 32 oz. (E)	Aluminum
Bowl, 64 oz. (G)	Aluminum with polycarbonate sight gauge
Bowl, 16 oz. (W)	Zinc with nylon sight gauge
Seals	Buna N

### Repair and Service Kits

Adjusting knob	<b>606Y72</b>
Aluminum 32 oz bowl (E)	<b>BK603B</b>
Aluminum 64 oz bowl with sight gauge (G)	<b>BK606X30B</b>
Zinc 16 oz bowl with sight gauge (W)	<b>BK609WB</b>
Button head fill fitting (M14 male thread)	<b>L606C14</b>
Dip tube kit	<b>DTK606</b>
Drip spout kit	<b>RK606SY</b>
Mounting bracket, 3/4 Inch (2 required per unit)	<b>SA200AW57</b>
Mounting bracket, 1 Inch units (2 required per unit)	<b>SA200CW57</b>
Needle valve assembly (All)	<b>RK606Y</b>
Sight gauge bowl repair kit (W)	<b>RKB605WB</b>
Sight gauge bowl repair kit (G)	<b>RKB606X30B</b>
Oil (1 quart)	<b>F442001</b>
Oil (1 gallon)	<b>F442002</b>
Oil (12 quart case)	<b>F442003</b>
Oil (4 gallon case)	<b>F442005</b>

### L606 - 3/4" and 1"



"W" 16 oz size bowl

"E" 32 oz size bowl

"G" 64 oz size bowl

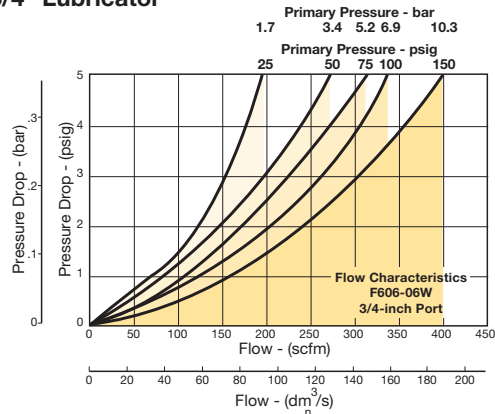
Add 9/16" for X9 Option

Inches (mm)

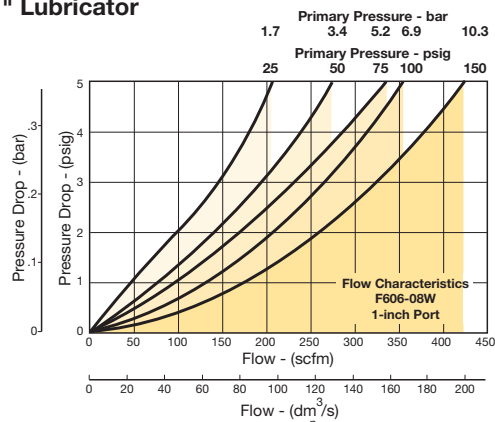
## Air Preparation Products General Industrial

### Flow Charts

#### L606 3/4" Lubricator



#### L606 1" Lubricator



For inventory, lead time, and kit lookup, visit [www.pdnplu.com](http://www.pdnplu.com)

H29

**Parker Hannifin Corporation**  
Pneumatic Division  
Richland, Michigan  
[www.parker.com/pneumatics](http://www.parker.com/pneumatics)

## L606 Lubricators – Standard

- Metal bowl with sight gauge - standard
- Polycarbonate sight dome
- Bowl can be filled while air line is under pressure
- Proportional oil delivery over a wide range of air flows
- Large capacity bowl
- Optional high capacity bowl(s) available
- Precision needle valve assures repeatable oil delivery and provides simple adjustment of delivery rate
- 1-1/2" ports (NPT, BSPP)



Port size	Description	Part number
1-1/2"	16 oz. bowl with sight gauge, drain	<b>L606-12W</b>
1-1/2"	32 oz. bowl without sight gauge, with drain	<b>L606-12E</b>
1-1/2"	64 oz. bowl with sight gauge, no drain	<b>L606-12G</b>

### Operating information

Supply pressure (max):		
Aluminum (E)		300 psig (20.7 bar)
Aluminum with gauge (G)		150 psig (10.2 bar)
Zinc with gauge (W)		250 psig (17.2 bar)
Operating temperature:		
Aluminum (E)		40°F to 150°F (4.4°C to 65.6°C)
Aluminum with gauge (G)		40°F to 125°F (4.4°C to 52°C)
Zinc with gauge (W)		40°F to 150°F (4.4°C to 65.6°C)
Flow capacity†:		
High flow	1-1/2"	400 scfm (188.8 dm³/s, ANR)
Bowl capacity:		
Aluminum (E)		32 oz.
Aluminum with gauge (G)		64 oz.
Zinc with gauge (W)		16 oz.
Weight:		
16 oz		7.5 lb (3.40 kg)
32 oz		8.3 lb (3.76 kg)
64 oz		10.0 lb (4.54 kg)

† scfm = Standard cubic feet per minute at 100 psig inlet and 5 psig pressure drop.  
 ( ) Bowl type.

### Ordering information:

<b>L606</b>	<b>-</b>	<b>12</b>	<b>W</b>		<b>/**</b>																
<table border="1"> <thead> <tr> <th colspan="2">Port Threads</th> </tr> </thead> <tbody> <tr> <td>NPT</td> <td>-</td> </tr> <tr> <td>BSPP</td> <td>G</td> </tr> </tbody> </table>		Port Threads		NPT	-	BSPP	G	<table border="1"> <thead> <tr> <th colspan="2">Port Size</th> </tr> </thead> <tbody> <tr> <td>1-1/2 inch</td> <td>12</td> </tr> </tbody> </table>		Port Size		1-1/2 inch	12	<table border="1"> <thead> <tr> <th colspan="2">Engineering Level</th> </tr> </thead> <tbody> <tr> <td>**</td> <td>Will be entered at Factory</td> </tr> </tbody> </table>		Engineering Level		**	Will be entered at Factory		
Port Threads																					
NPT	-																				
BSPP	G																				
Port Size																					
1-1/2 inch	12																				
Engineering Level																					
**	Will be entered at Factory																				
<table border="1"> <thead> <tr> <th colspan="2">Bowl</th> </tr> </thead> <tbody> <tr> <td>32 oz. Large capacity without sight gauge with drain</td> <td>E</td> </tr> <tr> <td>64 oz. Large capacity with sight gauge</td> <td>G</td> </tr> <tr> <td>16 oz. Metal with sight gauge with drain</td> <td>W</td> </tr> </tbody> </table>		Bowl		32 oz. Large capacity without sight gauge with drain	E	64 oz. Large capacity with sight gauge	G	16 oz. Metal with sight gauge with drain	W	<table border="1"> <thead> <tr> <th colspan="2">Options</th> </tr> </thead> <tbody> <tr> <td>Blank</td> <td>None</td> </tr> <tr> <td>H</td> <td>Button head fill fitting</td> </tr> <tr> <td>X9*</td> <td>Manual twist drain (increases product length by 9/16 inch)</td> </tr> </tbody> </table>		Options		Blank	None	H	Button head fill fitting	X9*	Manual twist drain (increases product length by 9/16 inch)	<p>* Standard with "E" &amp; "W" bowl, optional with "G" bowl.</p>	
Bowl																					
32 oz. Large capacity without sight gauge with drain	E																				
64 oz. Large capacity with sight gauge	G																				
16 oz. Metal with sight gauge with drain	W																				
Options																					
Blank	None																				
H	Button head fill fitting																				
X9*	Manual twist drain (increases product length by 9/16 inch)																				

### Suggested Lubricant .....F442 Oil

Petroleum based oil of 100 to 200 SUS viscosity at 100°F (38°C) and an aniline point greater than 200°F (93°C)

(DO NOT USE OILS WITH ADDITIVES, COMPOUNDED OILS CONTAINING SOLVENTS, GRAPHITE, DETERGENTS, OR SYNTHETIC OILS.)

Most popular.



For inventory, lead times, and kit lookup, visit [www.pdnplu.com](http://www.pdnplu.com)

H30

**Parker Hannifin Corporation**  
 Pneumatic Division  
 Richland, Michigan  
[www.parker.com/pneumatics](http://www.parker.com/pneumatics)

**Material Specifications**

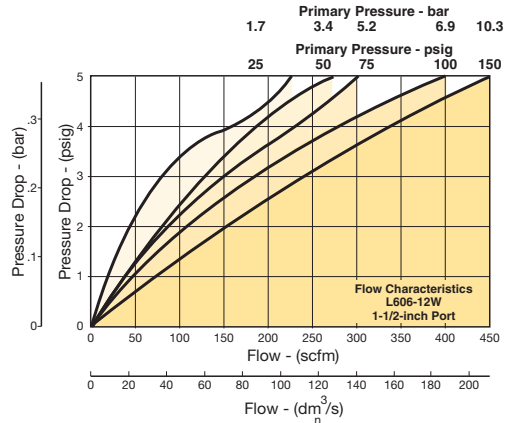
Body	Zinc
32 oz. bowl (E)	Aluminum
64 oz. bowl (G)	Aluminum with polycarbonate sight gauge
16 oz. bowl (W)	Zinc with nylon sight gauge
Seals	Buna N

**Repair and Service Kits**

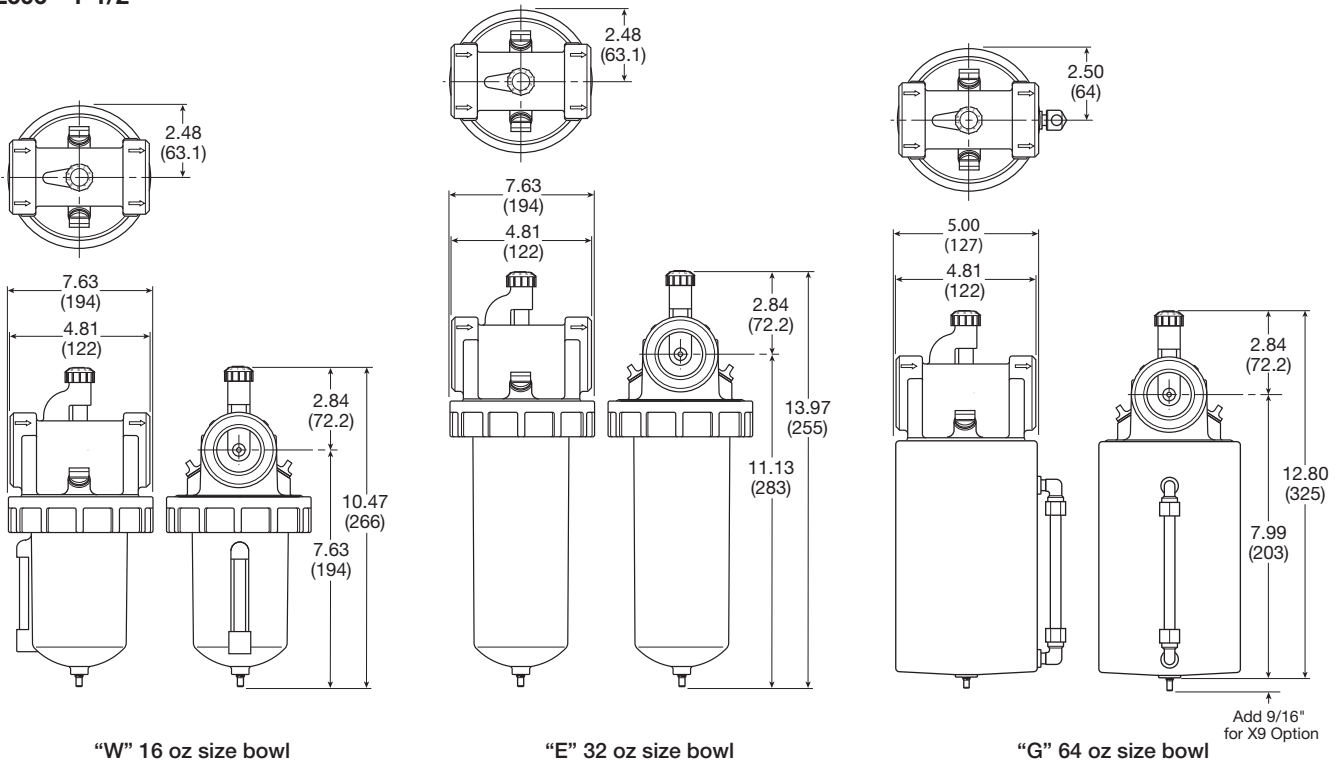
Adjusting knob	<b>606Y72</b>
Aluminum 32 oz. bowl (E)	<b>BK603B</b>
Aluminum 64 oz. bowl with sight gauge (G)	<b>BK606X30B</b>
Zinc 16 oz. bowl with sight gauge (W)	<b>BK609WB</b>
Button head fill fitting (M14 male thread)	<b>L606C14</b>
Dip tube kit	<b>DTK606</b>
Drip spout kit	<b>RK606SY</b>
Needle valve assembly (All)	<b>RK606Y</b>
Sight gauge 16 oz. bowl repair kit (W)	<b>RKB605WB</b>
Sight gauge 64 oz. bowl repair kit (G)	<b>RKB606X30B</b>
Oil (1 quart)	<b>F442001</b>
Oil (1 gallon)	<b>F442002</b>
Oil (12 quart case)	<b>F442003</b>
Oil (4 gallon case)	<b>F442005</b>

**Flow Charts**

**L606 1-1/2" Lubricator**



**L606 - 1-1/2"**



Inches (mm)



For inventory, lead time, and kit lookup, visit [www.pdnplu.com](http://www.pdnplu.com)

H31

**Parker Hannifin Corporation**  
 Pneumatic Division  
 Richland, Michigan  
[www.parker.com/pneumatics](http://www.parker.com/pneumatics)

**09L Mist Lubricators – Hi-Flow**

- Metal bowl with sight gauge and manual drain – standard
- Transparent sight dome for 360° visibility
- Bowl can be filled while air line is under pressure
- Proportional oil delivery over a wide range of air flows
- 2" ports (NPT)



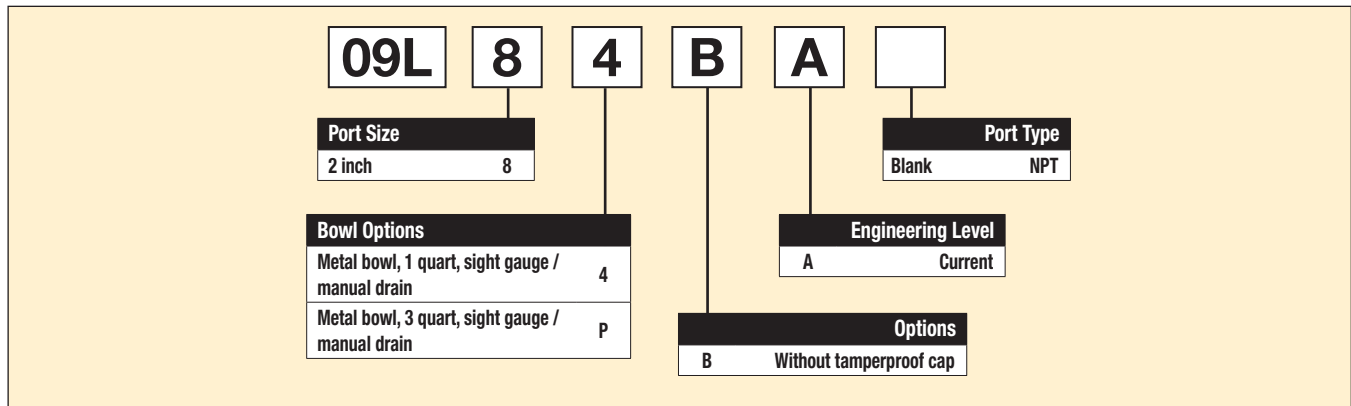
Port size	Description	Part number
2"	Metal bowl, sight gauge, 1 quart	<b>09L84BA</b>
2"	Metal bowl, sight gauge, 3 quart	<b>09L8PBA</b>

**Operating information**

Supply pressure (max):	150 psig (10.3 bar)
Operating temperature:	32°F to 150°F (0°C to 66°C)
Flow capacity†:	
High flow	2" 1000 scfm (472 dm <sup>3</sup> /s, ANR)
Minimum flow	6.6 scfm at 100 psig
Bowl capacity:	1 qt. (standard)
Weight:	1 qt 10.2 lb (4.6 kg)
	3 qt 13.7 lb (6.2 kg)

† scfm = Standard cubic feet per minute at 90 psig inlet and 5 psig pressure drop.

**Ordering information:**



**Suggested Lubricant** .....F442 Oil

Petroleum based oil of 100 to 200 SUS viscosity at 100°F (38°C) and an aniline point greater than 200°F (93°C)  
(DO NOT USE OILS WITH ADDITIVES, COMPOUNDED OILS CONTAINING SOLVENTS, GRAPHITE, DETERGENTS, OR SYNTHETIC OILS.)

Most popular.



For inventory, lead times, and kit lookup, visit [www.pdnplu.com](http://www.pdnplu.com)

H32

**Parker Hannifin Corporation**  
Pneumatic Division  
Richland, Michigan  
[www.parker.com/pneumatics](http://www.parker.com/pneumatics)

# High-Flow Mist Lubricators

## Material Specifications

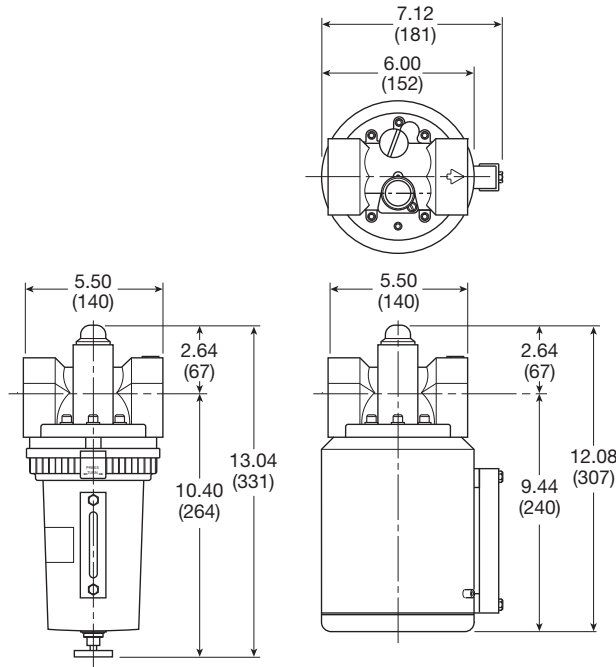
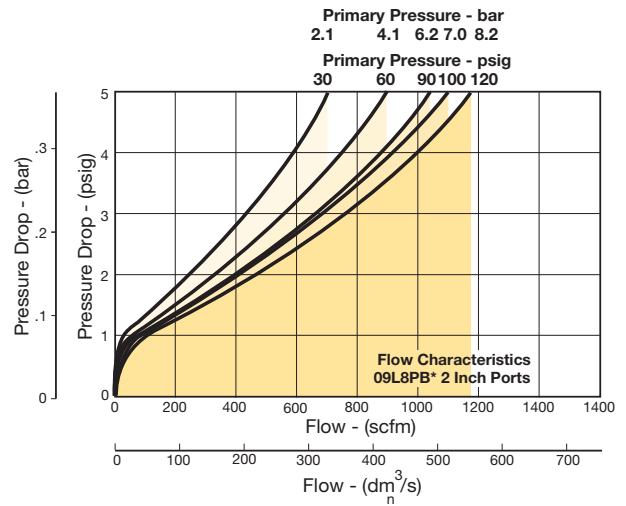
Body Zinc alloy, die cast

## Repair and Service Kits

Fill cap kit	<b>PS610P</b>
Lubricator service kit	<b>PS607P</b>
Metal bowl, 1 quart, sight gauge / twist drain	<b>PS612P</b>
Sight dome kit	<b>PS613P</b>
Oil (1 quart)	<b>F442001</b>
Oil (1 gallon)	<b>F442002</b>
Oil (12 quart case)	<b>F442003</b>
Oil (4 gallon case)	<b>F442005</b>

## Flow Charts

### 09L 2" Lubricator



Inches (mm)

1 Quart

3 Quart

General Industrial  
Products

H

Filters

Coalescers

Regulators

Lubricators

Combinations



For inventory, lead time, and kit lookup, visit [www.pdnplu.com](http://www.pdnplu.com)

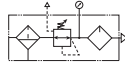
H33

**Parker Hannifin Corporation**  
Pneumatic Division  
Richland, Michigan  
[www.parker.com/pneumatics](http://www.parker.com/pneumatics)

## C628 General Industrial Combinations – Standard

- 40 micron filter element
- Gauges included on combinations
- Manual twist drain
- Relieving regulator

### C628 Standard Combinations



Port size	Bowl type	Bowl capacity	Element type	Part number
3/4"	Metal / sight gauge	16 oz	40 micron	<b>C628-06FRLWJCW</b>
3/4"	Metal / without sight gauge	32 oz	40 micron	<b>C628-06FRLEJCE</b>
1"	Metal / sight gauge	16 oz	40 micron	<b>C628-08FRLWJCW</b>
1"	Metal / without sight gauge	32 oz	40 micron	<b>C628-08FRLEJCE</b>
1-1/2"	Metal / sight gauge	16 oz	40 micron	<b>C628-12FRLWJCW</b>
1-1/2"	Metal / without sight gauge	32 oz	40 micron	<b>C628-12FRLEJCE</b>

### Ordering information:

**C628 - 06 FRL W J C W**

Port Size	Code
3/4 inch	06
1 inch	08
1-1/2 inch	12

Filter Bowl Options	Code
32 oz. large capacity w/o sight gauge	E
16 oz. metal w/ sight gauge	W

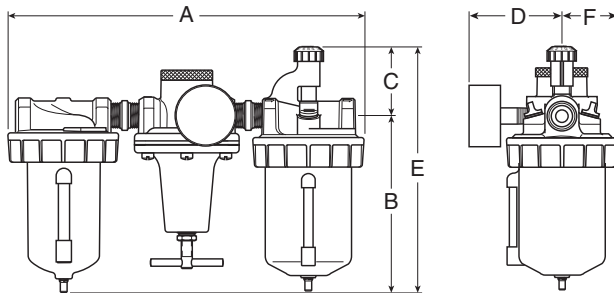
Filter Element	Code
5 Micron	G
40 Micron	J

Regulator Reduced Pressure Range	Code
0 to 125 psig	C
0 to 250 psig	D

Lubricator Body Options	Code
32 oz. large capacity w/o sight gauge	E
16 oz. metal w/ sight gauge	W

Drains and Options*	Code
Button head fill fitting (lubricator)	H
Non-relieving regulator	K
External heavy duty auto drain (filter)	Q
Internal auto drain (filter)	R
Manual twist drain on lubricator (increases product length by 9/16 inch)	X9

\* Filter comes standard with manual drain, lubricator comes standard with no drain.



A	B	C	D	E	F
<b>C628-06FRL, C628-08FRL</b>					
15.75 (400)	7.75 (197)	2.63 (67)	3.52 (89)	13.00 (330)	2.48 (63)
<b>C628-12FRL</b>					
16.50 (419)	8.13 (206)	2.84 (72)	3.86 (98)	14.13 (359)	2.64 (67)

Inches (mm), All dimensions nominal.

**WARNING**  
 Product rupture can cause serious injury.  
 Do not connect regulator to bottled gas.  
 Do not exceed maximum primary pressure rating.

**CAUTION: REGULATOR PRESSURE ADJUSTMENT –**  
 The working range of knob adjustment is designed to permit outlet pressures within their full range. Pressure adjustment beyond this range is also possible because the knob is not a limiting device. This is a common characteristic of most industrial regulators, and limiting devices may be obtained only by special design. For best performance, regulated pressure should always be set by increasing the pressure up to the desired setting.

Most popular.



For inventory, lead times, and kit lookup, visit [www.pdnplu.com](http://www.pdnplu.com)

H34

**Parker Hannifin Corporation**  
 Pneumatic Division  
 Richland, Michigan  
[www.parker.com/pneumatics](http://www.parker.com/pneumatics)



## Air Preparation Products Miniature / Inline

### Filters

<a href="#">02F</a>	J2-J3
<a href="#">P31FB</a>	J4-J5
<a href="#">14F</a>	J6-J7

### Coalescing Filters

<a href="#">02F</a>	J8-J9
<a href="#">P31F</a>	J10-J11
<a href="#">10F</a>	J12-J13
<a href="#">15F</a>	J14-J15

### Regulators

<a href="#">P31R</a>	J16-J17
<a href="#">14R</a>	J18-J19
<a href="#">P3A-R</a>	J20-J21
<a href="#">R34</a>	J22-J23
<a href="#">R25</a>	J24-J25
<a href="#">R45</a>	J26-J27
<a href="#">15R</a>	J28-J29

### Filter / Regulators

<a href="#">P31EB</a>	J30-J31
<a href="#">B34</a>	J32-J33
<a href="#">14E</a>	J34-J35
<a href="#">05E</a>	J36-J37

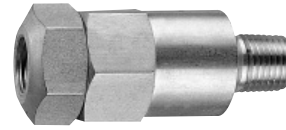
### Lubricators

<a href="#">02L</a>	J38-J39
<a href="#">P31LB</a>	J40-J41
<a href="#">04L</a>	J42-J43

**02F Particulate Filters – Miniature**

**Application**

This small, aluminum in-line filter is designed to provide protection for portable pneumatic hand tools. It weighs only 2 ounces with a throw-away filter element rated at 5 micron. Either port may be used as the inlet port. Flow is 17 scfm at 90 psig inlet pressure with 5 psig pressure drop.



**Operating information**

Supply pressure (max):	200 psig (13.8 bar)
Operating temperature:	32°F to 150°F (0°C to 65.6°C)
Flow capacity†:	17 scfm (8 dm <sup>3</sup> /s, ANR)
Standard Filtration*:	5 micron
Weight:	0.13 lb (0.06 kg)

† Inlet pressure 90 psig (6.2 bar). Pressure drop 5 psid (0.3 bar).

\* "F" Series Filters, Type "A" 5 micron elements: All Parker 5 micron elements meet or exceed ISO Class 3 for maximum particle size and concentration of solid contaminants.

Port size	Description	Part number
1/4"	Inline filter	<b>02F1BA</b>

- Filters
- Coalescers
- Regulators
- Filter / Regulators
- Lubricators
- Miniature / Inline Products

  Most popular.



For inventory, lead times, and kit lookup, visit [www.pdnplu.com](http://www.pdnplu.com)



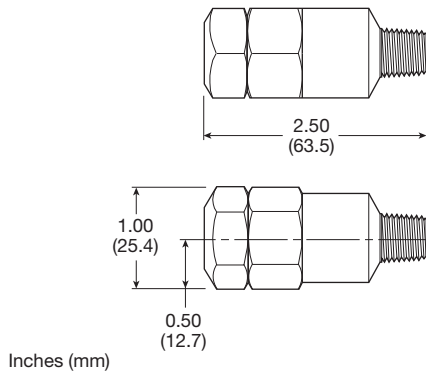
## Miniature Particulate Filters

### Material Specifications

Body	Aluminum
Baffle	Aluminum
Filter element	Sintered polyethylene
Seals	Nitrile

### Repair and Service Kits

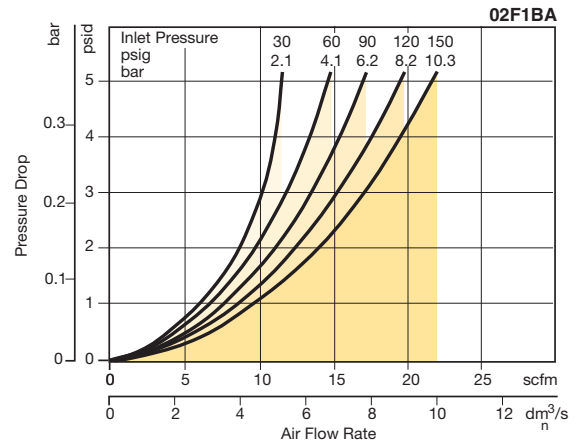
5 Micron	<b>PS436</b>
----------	--------------



## Air Preparation Products Miniature

### Flow Charts

#### 1/4" Filter



Filters

Coalescers

Regulators

Filter /  
Regulators

Lubricators

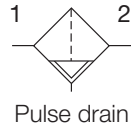
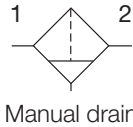
Miniature / Inline  
Products



For inventory, lead time, and kit lookup, visit [www.pdnplu.com](http://www.pdnplu.com)

**P31 Particulate Filter – Mini**

- Integral 1/4" ports (NPT, BSPP & BSPT)
- High efficiency 5 micron element as standard
- Excellent water removal efficiency
- Robust but lightweight aluminum construction
- One hand operation for easy element cartridge removal
- Positive bayonet latch to ensure correct & safe fitting



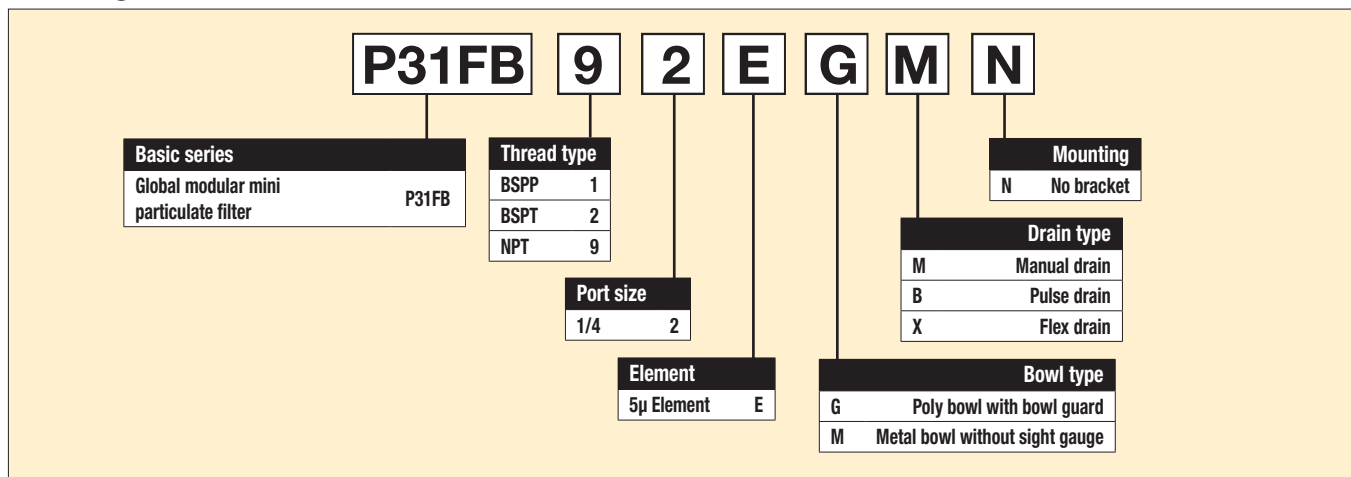
**Operating information**

Supply pressure (max):	
Plastic bowl	150 psig (10 bar)
Metal bowl	250 psig (17 bar)
Operating temperature:	
Plastic bowl	14°F to 125°F (-10°C to 52°C)
Metal bowl	14°F to 150°F (-10°C to 65.5°C)
Standard filtration:	5 micron
Flow capacity*:	25 scfm (12 dm <sup>3</sup> /s, ANR)
Useful retention†:	0.4 US oz. (12 cm <sup>3</sup> )
Weight:	0.24 lb (0.11 kg)
* Inlet pressure 91.3 psig (6.3 bar). Pressure drop 4.9 psig (0.34 bar).	
† Useful retention refers to volume below the quiet zone baffle.	

Air quality:  
 Within ISO 8573-1: 1991 Class 3 (Particulates)  
 Within ISO 8573-1: 2001 Class 6 (Particulates)

Port size	Description	Part number
1/4"	Poly bowl, manual drain	<b>P31FB92EGMN</b>
1/4"	Poly bowl, pulse drain	<b>P31FB92EGBN</b>
1/4"	Metal bowl, manual drain	<b>P31FB92EMMN</b>
1/4"	Metal bowl, pulse drain	<b>P31FB92EMBN</b>

**Ordering information:**



Most popular.



For inventory, lead times, and kit lookup, visit [www.pdnplu.com](http://www.pdnplu.com)

## Mini Particulate Filters

### Material Specifications

Body	Aluminum
Body cap	ABS
Plastic bowl	Polycarbonate
Metal bowl	Aluminum
Bowl guard	Nylon
Element retainer	Acetal
Baffle	Acetal
Filter element	Sintered polyethylene
Seals	Nitrile

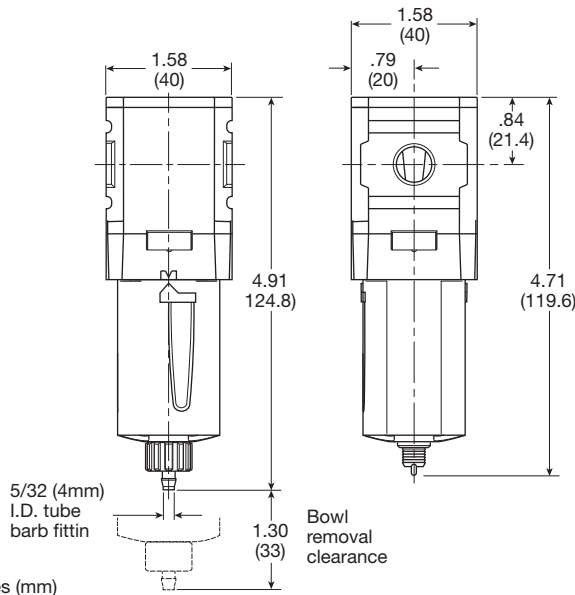
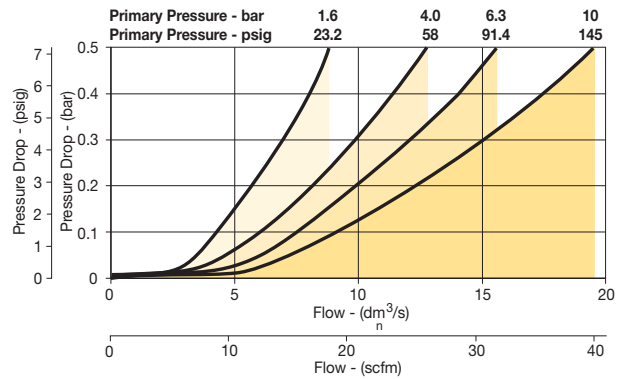
### Repair and Service Kits

Plastic bowl / bowl guard, manual drain	<b>P31KB00BGM</b>
Metal bowl / w/o sight gauge, manual drain	<b>P31KB00BMM</b>
Plastic bowl / bowl guard, pulse drain	<b>P31KB00BGB</b>
Metal bowl / w/o sight gauge, pulse drain	<b>P31KB00BMB</b>
5µ particle filter element	<b>P31KA00ESE</b>
C-bracket (fits to body)	<b>P31KA00MW</b>
T-bracket with body connector	<b>P31KA00MT</b>
Body connector	<b>P31KA00CB</b>

## Air Preparation Products Miniature / Inline

### Flow Charts

#### P31 1/4 Particulate Filter



Manual Drain

Pulse Drain

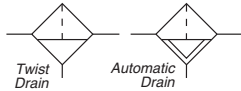
Filters
Coalescers
Regulators
Filter / Regulators
Lubricators
Miniature / Inline Products



For inventory, lead time, and kit lookup, visit [www.pdnplu.com](http://www.pdnplu.com)

**14F Particulate Filters – Miniature**

- Excellent water removal efficiency
- Unique deflector plate that creates swirling of the air stream ensuring maximum water and dirt separation
- Easily disassembled for servicing without the use of tools
- 5 micron element standard
- Interchangeable twist and automatic pulse drains
- 1/8" & 1/4" ports (NPT, BSPP & BSPT)



Port size	Description †	Part number
1/8"	Poly bowl, twist drain	<b>14F01BB</b>
1/8"	Metal bowl, twist drain	<b>14F03BB</b>
1/8"	Poly bowl, auto pulse drain	<b>14F05BB</b>
1/8"	Metal bowl, auto pulse drain	<b>14F07BB</b>
1/4"	Poly bowl, twist drain	<b>14F11BB</b>
1/4"	Metal bowl, twist drain	<b>14F13BB</b>
1/4"	Poly bowl, auto pulse drain	<b>14F15BB</b>
1/4"	Metal bowl, auto pulse drain	<b>14F17BB</b>

† For polycarbonate bowl, see caution in Engineering Section A.

**Operating information**

Supply pressure (max):		
Plastic bowl		0 to 150 psig (0 to 10.3 bar)
Metal bowl		0 to 250 psig (0 to 17.2 bar)
Auto pulse drain		10 to 250 psig (0.7 to 17.2 bar)
Operating temperature:		
Plastic bowl		32°F to 125°F (0°C to 52°C)
Metal bowl		32°F to 175°F (0°C to 80°C)
Auto pulse drain		125°F (52°C) or less
Flow capacity†:		
High flow	1/8"	22 scfm (10.4 dm <sup>3</sup> /s, ANR)
	1/4"	24 scfm (11.3 dm <sup>3</sup> /s, ANR)
Bowl capacity:		1 oz.
Auto pulse drain tube barb		1/8 inch
Weight:		0.41 lb (0.18 kg)

† scfm = Standard cubic feet per minute at 90 psig inlet and 5 psig pressure drop.

**Ordering information:**

**14F 1 1 B B**

Port Size	
1/8 inch	0
1/4 inch	1

Port Type	
Blank	NPT
1	BSPP
2	BSPT

Bowl Options	
Poly bowl, twist drain	1
Poly bowl, automatic pulse drain	5
Metal bowl, twist drain	3
Metal bowl, automatic pulse drain	7

Engineering Level	
B	Current

Element	
A	40 Micron
B	5 Micron
Z	Adsorber

Most popular.



For inventory, lead times, and kit lookup, visit [www.pdnplu.com](http://www.pdnplu.com)

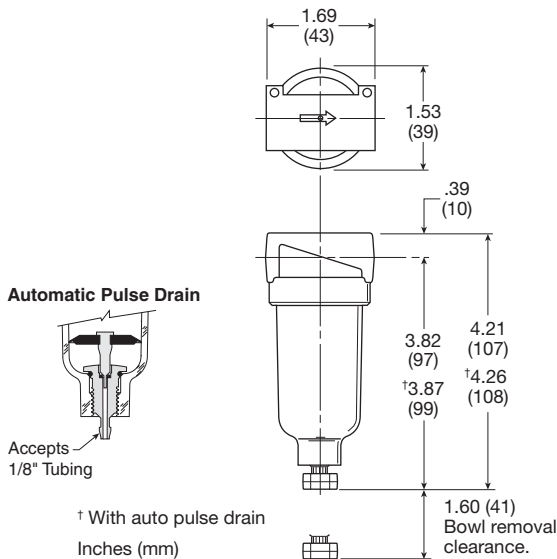
## Miniature Particulate Filters

### Material Specifications

Body	Zinc
Transparent bowl	Polycarbonate
Metal bowl without sight gauge	Zinc
Deflector, element holder & baffle	Plastic
Twist drain, body & stem	Plastic
Twist drain, seals	Nitrile
Auto pulse drain, piston & seals	Nitrile
Auto pulse drain, stem, seat, adaptor & washers	Aluminum
Element	Plastic
Adsorber (optional)	Activated charcoal
Seals	Nitrile

### Repair and Service Kits

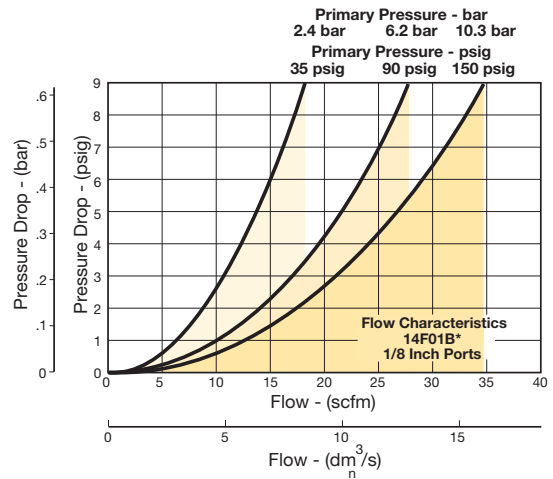
Poly bowl / auto pulse drain	<b>PS408BP</b>
Poly bowl / twist drain	<b>PS404P</b>
Metal bowl / auto pulse drain	<b>PS451BP</b>
Metal bowl / twist drain	<b>PS447BP</b>
40 Micron element	<b>PS401P</b>
5 Micron element	<b>PS403P</b>
5 Micron cartridge kit	<b>PS407P</b>
Adsorber element	<b>PS452P</b>
Mounting bracket kit	<b>PS417BP</b>



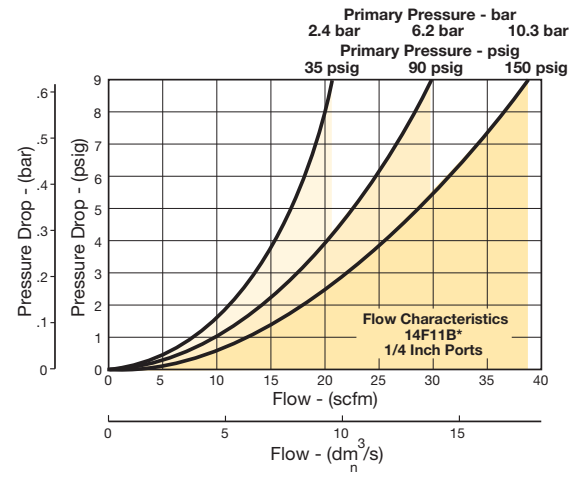
## Air Preparation Products Miniature / Inline

### Flow Charts

#### 14F 1/8" Particulate Filter



#### 14F 1/4" Particulate Filter



Filters

Coalescers

Regulators

Filter /  
Regulators

Lubricators

Miniature / Inline  
Products

**02F Coalescing Filters – Miniature**

- Clear nylon housing.
- Full length support tube.
- Positive tube seals.
- Optional filter grades available.
- Disposable.



**Application**

The 02F Miniature Inline Filter is designed to remove 99.9%+ of the aerosols and sub-micron particles from your air system.

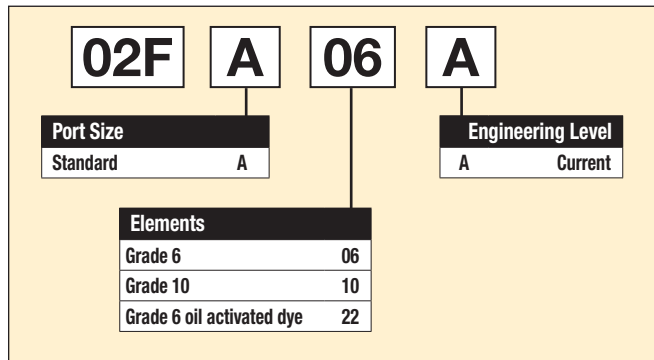
**Operating information**

Pressure & temperature:	100 psig at 125°F (0.69 bar at 52°C) or less
High flow†:	Grade 6 3.5 scfm (1.65 dm³/s, ANR) Grade 10 5.3 scfm (2.50 dm³/s, ANR)
Port size:	1/4 I.D. hose slip on tang standard

† scfm @ 1 psid operating pressure 100 psig.

Port size	Element	Part number
1/4" I.D.	Grade 6 (0.01 micron)	<b>02FA06A</b>
	Grade 10 (1.0 micron)	<b>02FA10A</b>
	Grade 6 (oil activated dye)	<b>02FA22A</b>

**Ordering information:**



Filters  
 Coalescers  
 Regulators  
 Filter / Regulators  
 Lubricators  
 Miniature / Inline Products

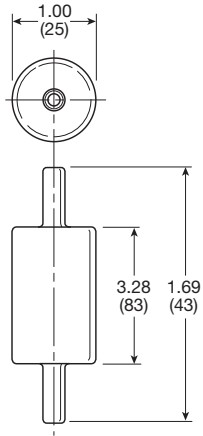


For inventory, lead times, and kit lookup, visit [www.pdnplu.com](http://www.pdnplu.com)

## Miniature Coalescing Filters

### Material Specifications

Element	Borosilicate & Felt Glass Fibers
Housing	Nylon

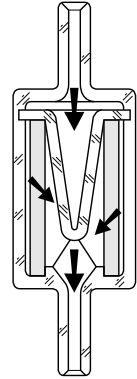


Inches (mm)

## Air Preparation Products Miniature / Inline

### Operation

The contaminated air enters the filters interior and is forced through the elements membrane of Borosilicate glass fibers. Contaminants and aerosols are collected and distributed evenly along the entire tubes length. This is accomplished by the use of the "center post" which not only provides this "drop out pocket", but also provides a stable support.



Filters
Coalescers
Regulators
Filter / Regulators
Lubricators
Miniature / Inline Products



For inventory, lead time, and kit lookup, visit [www.pdnplu.com](http://www.pdnplu.com)

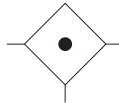
## P31 Coalescing and Adsorber Filters – Mini

- Integral 1/4" ports (NPT, BSPP & BSPT)
- Removes liquid aerosols and sub micron particles
- Oil free air for critical applications, such as air gauging, pneumatic instrumentation and control
- Differential Pressure Indicator (DPI) standard on coalescing filters
- Positive bayonet latch to ensure correct and safe fitting
- Adsorbing activated carbon element removes oil vapors and most hydrocarbons



**Note:** To optimize the life of coalescing element, it is advisable to install a P31F pre-filter with a 5 micron element upstream of the coalescing filter.

To optimize the life of an Adsorber it is advisable to install a P31 Coalescing Filter upstream of the Adsorber. Adsorber element should be replaced approximately every 1000 hours of service.

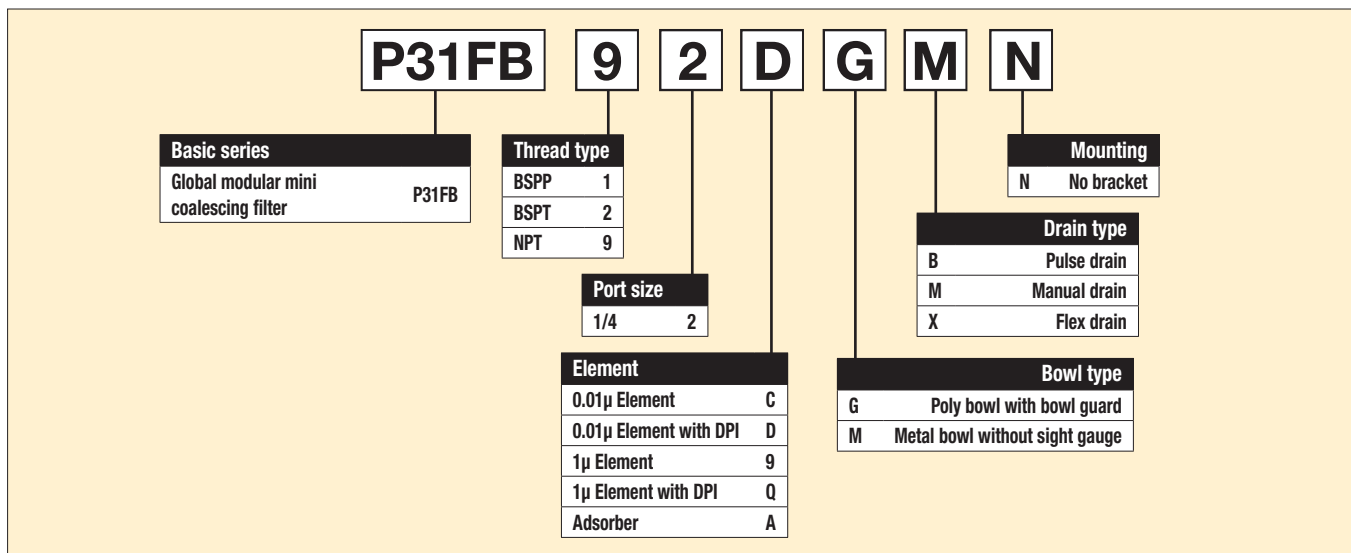


Port size	Description	Element	Part number
1/4"	Poly bowl, manual drain	0.01 micron	<b>P31FB92DGMN</b>
1/4"	Poly bowl, pulse drain	0.01 micron	<b>P31FB92DGBN</b>
1/4"	Metal bowl, manual drain	0.01 micron	<b>P31FB92DMMN</b>
1/4"	Metal bowl, pulse drain	0.01 micron	<b>P31FB92DMBN</b>

### Operating information

Supply pressure (max):	
Poly bowl	150 psig (10 bar)
Metal bowl w/ DPI	150 psig (10 bar)
Metal bowl w/o DPI	250 psig (17 bar)
Operating temperature:	
Plastic bowl	14°F to 125°F (-10°C to 52°C)
Metal bowl	14°F to 150°F (-10°C to 65.5°C)
Standard filtration:	1.0 and 0.01 micron
Adsorber	Max. oil carryover (ppm w/w) 0.003 @ 70°F (21°C)
Flow capacity*:	
1.0 micron coalescing	12 scfm (5.5 dm <sup>3</sup> /s, ANR)
0.01 micron coalescing	7.5 scfm (3.6 dm <sup>3</sup> /s, ANR)
Activated carbon adsorber	12.7 scfm (6 dm <sup>3</sup> /s, ANR)
Useful retention†:	0.4 US oz. (12 cm <sup>3</sup> )
Weight:	0.24 lb (0.11 kg)
* Inlet pressure 91.3 psig (6.3 bar). Pressure drop 3 psig (0.2 bar), saturated element.	
† Useful retention refers to volume below the quiet zone baffle.	

### Ordering Information:



☐ Most popular.



For inventory, lead times, and kit lookup, visit [www.pdnplu.com](http://www.pdnplu.com)

J10

**Parker Hannifin Corporation**  
Pneumatic Division  
Richland, Michigan  
[www.parker.com/pneumatics](http://www.parker.com/pneumatics)



# Mini Coalescing and Adsorber Filters

## Material Specifications

Body	Aluminum
Body cap	ABS
Plastic bowl	Polycarbonate
Metal bowl	Aluminum
Filter element	Borosilicate cloth
Adsorber element	Activated carbon
Seals	Nitrile

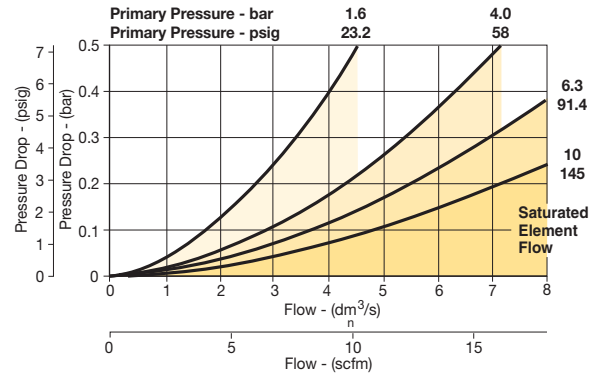
## Repair and Service Kits

Plastic bowl / bowl guard, manual drain	<b>P31KB00BGM</b>
Metal bowl / w/o sight gauge ,manual drain	<b>P31KB00BMM</b>
Plastic bowl / bowl guard, pulse drain	<b>P31KB00BGB</b>
Metal bowl / w/o sight gauge, pulse drain	<b>P31KB00BMB</b>
1 $\mu$ coalescing filter element	<b>P31KA00ES9</b>
0.01 $\mu$ coalescing filter element	<b>P31KA00ESC</b>
Activated carbon adsorber filter element	<b>P31KA00ESA</b>
C-bracket (fits to body)	<b>P31KA00MW</b>
T-bracket with body connector	<b>P31KA00MT</b>
Body connector	<b>P31KA00CB</b>
Differential pressure indicator (replacement)	<b>P31KB00RQ</b>

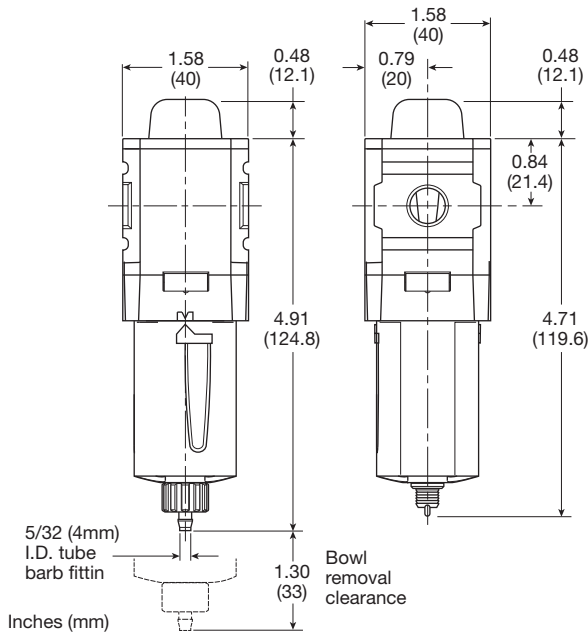
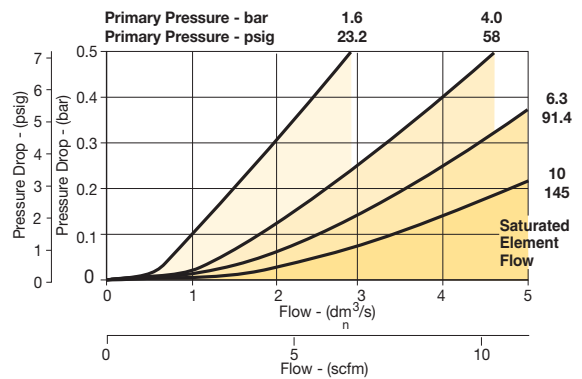
# Air Preparation Products Miniature / Inline

## Flow Charts

**P31 - 1.0 micron flow Coalescing Filter**



**P31 - 0.01 micron flow Coalescing Filter**



Manual Drain

Pulse Drain

Filters
Coalescers
Regulators
Filter / Regulators
Lubricators
Miniature / Inline Products



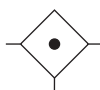
For inventory, lead time, and kit lookup, visit [www.pdnplu.com](http://www.pdnplu.com)

## 10F Coalescing Filters – Miniature

- Removes liquid aerosols and sub-micron particles.
- Liquids gravitate to the bottom of the element and will not re-enter the airstream.
- Oil free air for critical applications, such as air gauging and pneumatic instrumentation and controls.
- Interchangeable twist and automatic pulse drains.
- Grade 6 element, 99.97% DOP efficiency
- 1/8", 1/4" ports (NPT, BSPP, BSPT)

**Note:** To optimize the life of coalescing element, it is advisable to install a pre-filter with a 5 micron element upstream of the coalescing filter.

To optimize the life of an adsorber it is advisable to install a coalescing filter upstream of the adsorber. Adsorber element should be replaced approximately every 1000 hours of service.



Port size	Description †	Part number
1/8"	Poly bowl, twist drain	<b>10F01ED</b>
1/8"	Metal bowl, twist drain	<b>10F03ED</b>
1/8"	Poly bowl, auto pulse drain	<b>10F05ED</b>
1/8"	Metal bowl, auto pulse drain	<b>10F07ED</b>
1/4"	Poly bowl, twist drain	<b>10F11ED</b>
1/4"	Metal bowl, twist drain	<b>10F15ED</b>
1/4"	Poly bowl, auto pulse drain	<b>10F13ED</b>
1/4"	Metal bowl, auto pulse drain	<b>10F17ED</b>

Standard part numbers shown bold, with Grade 6 Elements (for Grade 10 Elements, replace "E" with "H" in the 6th position). For other models refer to ordering information below.

† For polycarbonate bowl, see caution in Engineering Section A.



### Operating information

Supply pressure (max):  
 Plastic bowl 0 to 150 psig (0 to 10.3 bar)  
 Metal bowl 0 to 250 psig (0 to 17.2 bar)  
 Auto pulse drain 10 to 250 psig (0.7 to 17.2 bar)

Operating pressure drop:  
 Normal 2 psig (0.14 bar)  
 Max recommended 10 psig (0.7 bar)  
 (Element should be replaced)

Operating temperature:  
 Plastic bowl 32°F to 125°F (0°C to 52°C)  
 Metal bowl 32°F to 175°F (0°C to 80°C)  
 Auto pulse drain 125°F (52°C) or less

Flow capacity†:  
 Grade 6 1/8" 17 scfm (8 dm<sup>3</sup>/s, ANR)  
 1/4" 20 scfm (9.4 dm<sup>3</sup>/s, ANR)  
 Grade 10 1/8" 19 scfm (9 dm<sup>3</sup>/s, ANR)  
 1/4" 24 scfm (11.3 dm<sup>3</sup>/s, ANR)

Bowl capacity: 1 oz.  
 Auto pulse drain tube barb 1/8 inch  
 Weight: 0.41 lb (0.18 kg)

† scfm = Standard cubic feet per minute at 90 psig inlet and 5 psig pressure drop.

### Ordering information:

<b>10F</b>	<b>1</b>	<b>1</b>	<b>E</b>	<b>D</b>	
<b>Port Size</b>			<b>Port Type</b>		
1/8 inch 0			Blank NPT		
1/4 inch 1			1 BSPP		
					2 BSPT
<b>Bowl Options</b>			<b>Engineering Level</b>		
Poly bowl, twist drain 1			D Current		
Poly bowl, auto pulse drain 5					
Metal bowl, twist drain 3					
Metal bowl, auto pulse drain 7					
			<b>Element</b>		
			E Grade 6		
			H Grade 10		

Most popular.



For inventory, lead times, and kit lookup, visit [www.pdnplu.com](http://www.pdnplu.com)

# Miniature Coalescing Filters

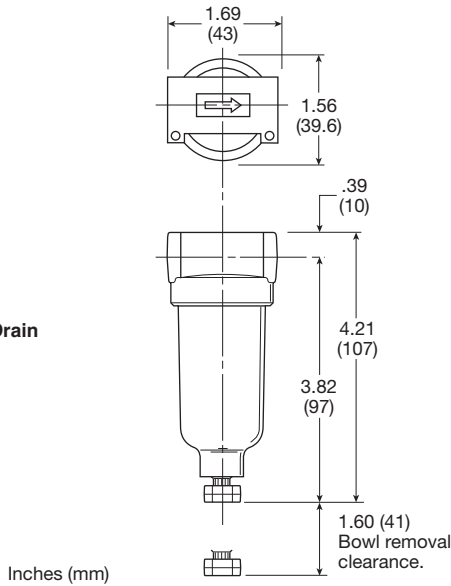
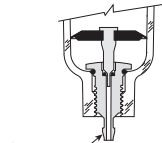
## Material Specifications

Body	Zinc
Transparent bowl	Polycarbonate
Metal bowl without sight gauge	Zinc
Twist drain, body & stem	Plastic
Twist drain, seals	Nitrile
Auto pulse drain, piston & seals	Nitrile
Auto pulse drain, stem, seat, adaptor & washers	Aluminum
Element holder	Plastic
Element	Borosilicate & felt glass fibers
Seals	Nitrile

## Repair and Service Kits

Poly bowl / auto pulse drain kit	<b>PS408BP</b>
Poly bowl / twist drain kit	<b>PS404P</b>
Metal bowl / auto pulse drain kit	<b>PS451BP</b>
Metal bowl / twist drain kit	<b>PS447BP</b>
Grade 6 element (standard)	<b>PS446P</b>
Grade 10 element (optional)	<b>PS456P</b>
Mounting bracket kit	<b>PS417BP</b>

### Automatic Pulse Drain

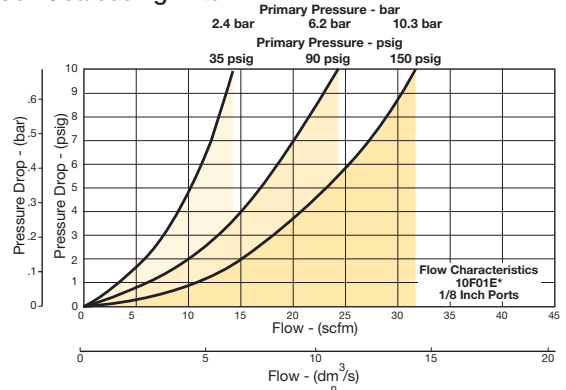


# Air Preparation Products Miniature / Inline

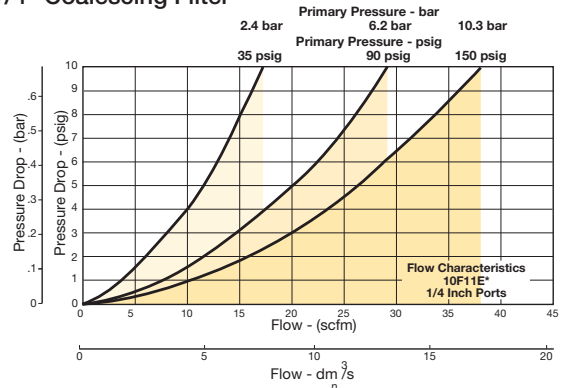
## Flow Charts

### Grade 6 Element

#### 10F 1/8" Coalescing Filter

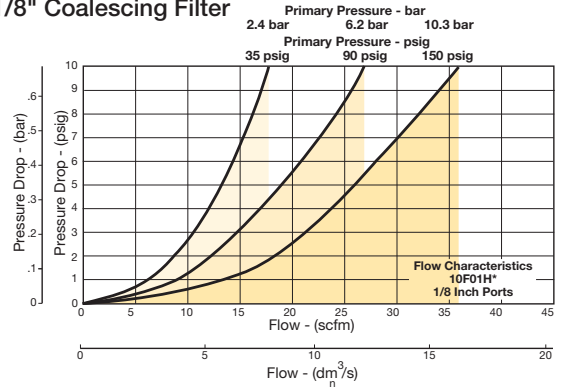


#### 10F 1/4" Coalescing Filter

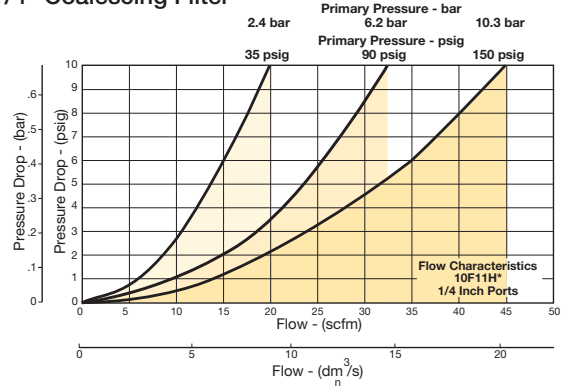


### Grade 10 Element

#### 10F 1/8" Coalescing Filter



#### 10F 1/4" Coalescing Filter



Filters

Coalescers

Regulators

Filter /  
Regulators

Lubricators

Miniature / Inline  
Products



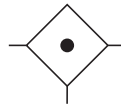
For inventory, lead time, and kit lookup, visit [www.pdnplu.com](http://www.pdnplu.com)

**15F Coalescing Filters – Economy**

- Removes liquid aerosols and sub-micron particles.
- Liquids gravitate to the bottom of the element and will not re-enter the airstream.
- Oil free air for critical applications, such as air gauging and pneumatic instrumentation and controls.
- Interchangeable twist and automatic pulse drains.
- Differential pressure indicator standard.
- 1/4" & 3/8" ports – NPT

**Note:** To optimize the life of coalescing element, it is advisable to install a pre-filter with a 5 micron element upstream of the coalescing filter.

To optimize the life of an adsorber it is advisable to install a coalescing filter upstream of the adsorber. Adsorber element should be replaced approximately every 1000 hours of service.



Port size	Description ‡	Part number
1/4"	Poly bowl, metal guard, twist drain	<b>15F12EA</b>
1/4"	Poly bowl, metal guard, auto pulse drain	<b>15F1PEA</b>
3/8"	Poly bowl, metal guard, twist drain	<b>15F22EA</b>
3/8"	Poly bowl, metal guard, auto pulse drain	<b>15F2PEA</b>

‡ For polycarbonate bowl, see caution in Engineering Section A.

**Operating information**

Supply pressure (max):  
 Without DPI  
     Plastic bowl                   0 to 150 psig (0 to 10.3 bar)  
     Metal bowl                    0 to 250 psig (0 to 17.2 bar)  
 With DPI  
     Auto pulse drain           10 to 150 psig (0.7 to 10.3 bar)

Operating temperature:  
     Plastic bowl                   32°F to 125°F (0°C to 52°C)  
     Metal bowl                    32°F to 175°F (0°C to 80°C)  
     With DPI                      32°F to 125°F (0°C to 52°C)

Flow capacity†:           Grade 6   1/8" 30 scfm (14.2 dm<sup>3</sup>/s, ANR)  
   1/4" 30 scfm (14.2 dm<sup>3</sup>/s, ANR)

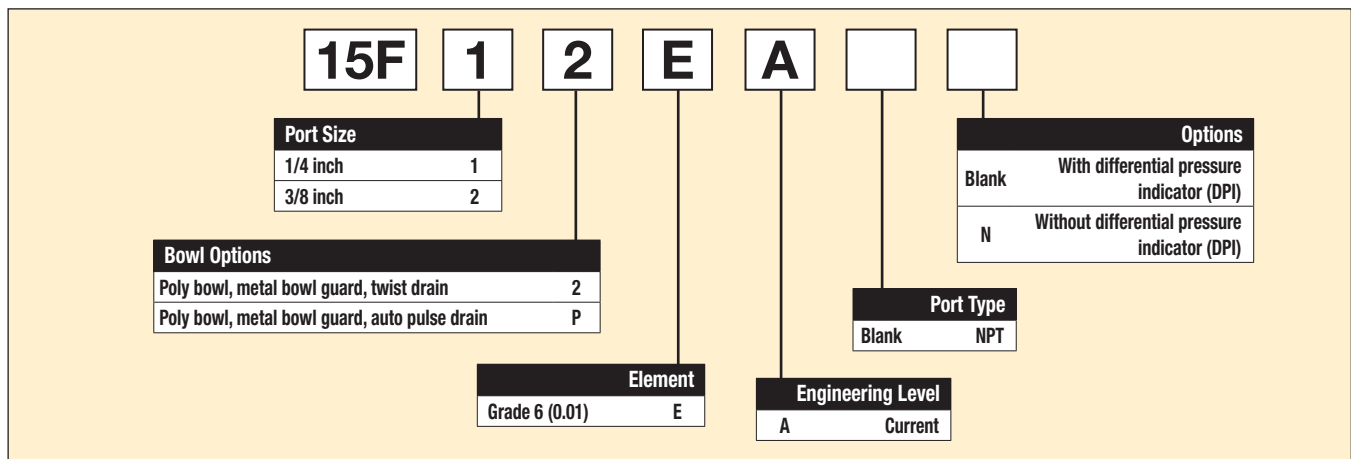
Bowl capacity:           2.0 oz.

Sump capacity:           0.9 oz.

Weight:                    1.2 lb (0.54 kg)

† scfm = Standard cubic feet per minute at 90 psig inlet and 5 psig pressure drop.  
 DPI = Differential pressure indicator

**Ordering information:**



Most popular.



For inventory, lead times, and kit lookup, visit [www.pdnplu.com](http://www.pdnplu.com)

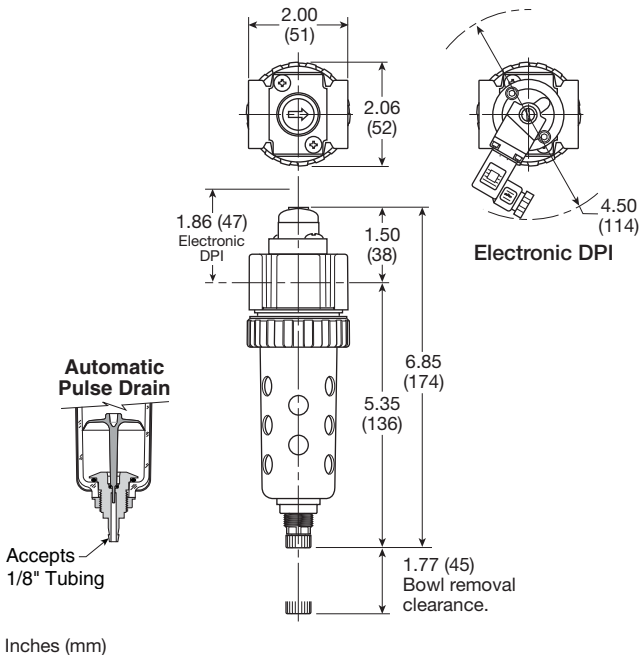
## Economy Coalescing Filters

### Material Specifications

Body	Zinc
Transparent bowl	Polycarbonate
Metal bowl without sight gauge	Zinc
Bowl guards	Steel
Collar	Plastic
Drain	Plastic
Element	Borosilicate & felt glass fibers
Seals	Nitrile
Sight gauge, DPI	Polyamide (nylon)

### Repair and Service Kits

Bowl Guard Kit	<b>PS905P</b>
Poly bowl / automatic pulse drain kit	<b>PS995P</b>
Poly bowl / twist drain kit	<b>PS932P</b>
DPI replacement kit	<b>PS781P</b>
Electronic DPI replacement kit	<b>PS764</b>
Automatic pulse drain kit	<b>PS998P</b>
Twist drain kit	<b>PS512P</b>
Electrical connector: 15mm, 3-pin DIN, 6 ft. cord	<b>PS2932JBP</b>
Filter element kits – Grade 6 (standard)	<b>PS924P</b>
Mounting bracket kit	<b>PS943P</b>
Sight gauge kit	<b>PS914P</b>

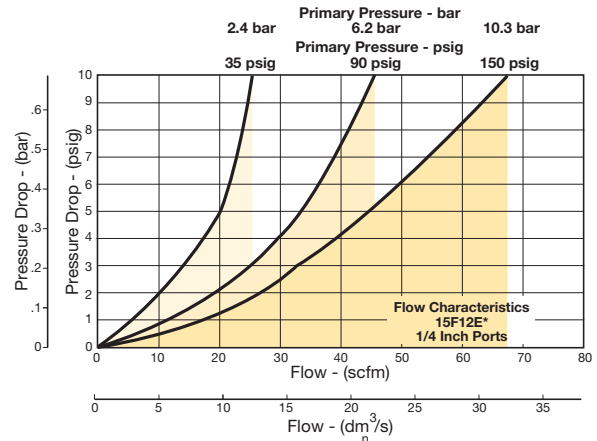


## Air Preparation Products Miniature / Inline

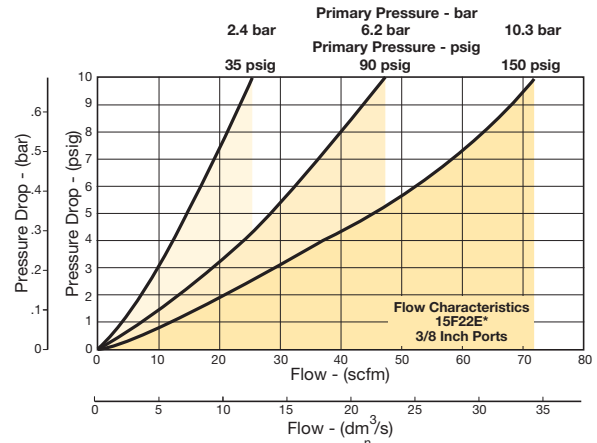
### Flow Charts

#### Grade 6 Element

#### 15F 1/4" Coalescing Filter



#### 15F 3/8" Coalescing Filter



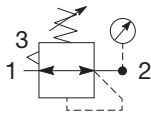
Filters
Coalescers
Regulators
Filter / Regulators
Lubricators
Miniature / Inline Products



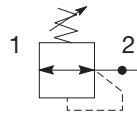
For inventory, lead time, and kit lookup, visit [www.pdnplu.com](http://www.pdnplu.com)

## P31 Regulators – Mini

- Integral 1/4" ports (NPT, BSPP & BSPT)
- Robust but lightweight aluminum construction
- Secondary pressure ranges
- Secondary aspiration plus balanced poppet provides quick response and accurate pressure regulation.
- Relieving & non-relieving types
- Non-rising knob



Self relieving regulator with gauge



Non-relieving regulator

Port size	Description (relieving)	Gauge	Part number
1/4"	125 psig (8 bar)	None	<b>P31RB92BNNP</b>
1/4"	125 psig (8 bar)	Square	<b>P31RB92BN5P</b>

### Operating information

Flow capacity*:	1/4	68 scfm (32 dm <sup>3</sup> /s, ANR)
Operating temperature†:		-4°F to 150°F (-20°C to 65.5°C)
Supply pressure (max):		300 psig (20 bar)
Adjusting range pressure:		30 psig (0-2 bar) 60 psig (0-4 bar) 125 psig (0-8 bar) 232 psig (0-16 bar)
Gauge port (2 each)**		1/8 BSPP, BSPT, NPT
Weight:		0.37 lb (0.17 kg)

\* Inlet pressure 145 psig (10 bar). Secondary pressure 91.3 psig (6.3 bar) and 14.5 psig (1 bar) pressure drop.

\*\* Non-gauge option only.

† Units with square gauges: 5°F to 150°F (-15°C to 65.5°C)

### Ordering Information:

**P31RB 9 2 B N 5 P**

Basic series	Thread type	Port size	Relief	Adjustment	Mounting	Adjustment range																												
Global modular mini regulator <b>P31RB</b>	BSPP 1 BSPT 2 NPT 9	1/4 2	Relieving B Non-relieving N Reverse flow-relieving R	N Non-rising knob	P Plastic panel mount nut	<table border="1"> <thead> <tr> <th colspan="2">With square gauge</th> <th colspan="2">With round gauge</th> </tr> <tr> <th>psig</th> <th>bar</th> <th>Z</th> <th>M</th> </tr> </thead> <tbody> <tr> <td>1 = 30*</td> <td>V = 2*</td> <td>30 psig; 2 bar; 0.2 MPa</td> <td>60 psig; 4 bar; 0.4 MPa</td> </tr> <tr> <td>3 = 60</td> <td>S = 4</td> <td>125 psig; 8 bar; 0.8 MPa</td> <td>232 psig; 16 bar; 1.6 MPa</td> </tr> <tr> <td>5 = 125</td> <td>T = 8</td> <td></td> <td></td> </tr> </tbody> </table> <table border="1"> <thead> <tr> <th colspan="2">Without gauge</th> </tr> <tr> <th>Y</th> <th>L</th> </tr> </thead> <tbody> <tr> <td>30 psig; 2 bar; 0.2 MPa</td> <td>60 psig; 4 bar; 0.4 MPa</td> </tr> <tr> <td>125 psig; 8 bar; 0.8 MPa</td> <td>232 psig; 16 bar; 1.6 MPa</td> </tr> </tbody> </table>	With square gauge		With round gauge		psig	bar	Z	M	1 = 30*	V = 2*	30 psig; 2 bar; 0.2 MPa	60 psig; 4 bar; 0.4 MPa	3 = 60	S = 4	125 psig; 8 bar; 0.8 MPa	232 psig; 16 bar; 1.6 MPa	5 = 125	T = 8			Without gauge		Y	L	30 psig; 2 bar; 0.2 MPa	60 psig; 4 bar; 0.4 MPa	125 psig; 8 bar; 0.8 MPa	232 psig; 16 bar; 1.6 MPa
With square gauge		With round gauge																																
psig	bar	Z	M																															
1 = 30*	V = 2*	30 psig; 2 bar; 0.2 MPa	60 psig; 4 bar; 0.4 MPa																															
3 = 60	S = 4	125 psig; 8 bar; 0.8 MPa	232 psig; 16 bar; 1.6 MPa																															
5 = 125	T = 8																																	
Without gauge																																		
Y	L																																	
30 psig; 2 bar; 0.2 MPa	60 psig; 4 bar; 0.4 MPa																																	
125 psig; 8 bar; 0.8 MPa	232 psig; 16 bar; 1.6 MPa																																	

\* Regulator comes with gauge respective to the adjustment range selected.

☐ Most popular.



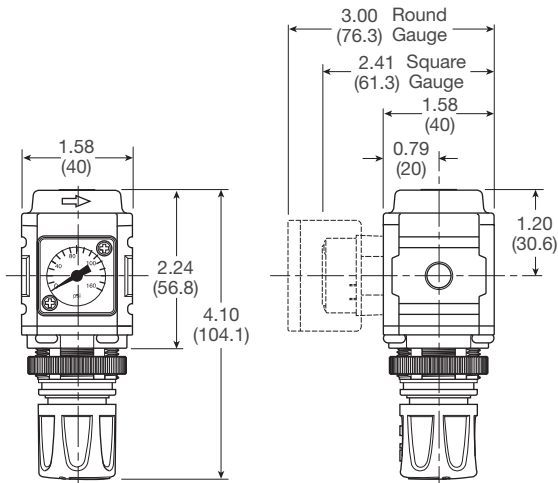
For inventory, lead times, and kit lookup, visit [www.pdnplu.com](http://www.pdnplu.com)

**Material Specifications**

Body	Aluminum
Adjustment knob	Acetal
Bonnet	PBT
Diaphragm assembly	Brass / Nitrile
Valve assembly	Brass / Nitrile
Springs	Steel
Seals	Nitrile
Panel nut	Acetal

**Repair and Service Kits**

Diaphragm repair kit - relieving	<b>P31KB00RB</b>
Diaphragm repair kit - non-relieving	<b>P31KB00RC</b>
Panel mount nut - aluminum	<b>P31KA00MM</b>
Panel mount nut - plastic	<b>P31KA00MP</b>
Angle bracket (attaches via panel nut)	<b>P31KB00MR</b>
C-bracket (fits to body)	<b>P31KA00MW</b>
T-bracket with body connector	<b>P31KA00MT</b>
Body connector	<b>P31KA00CB</b>

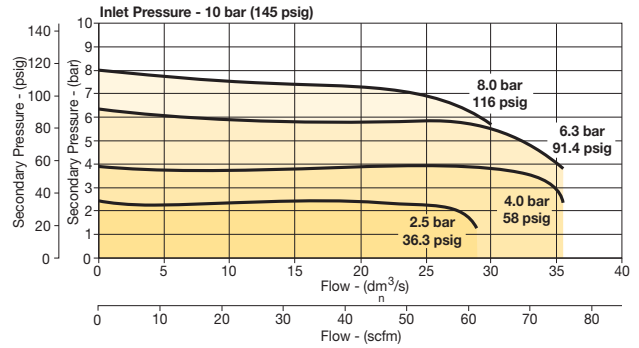


Inches (mm)

**NOTE:** 1.20 in. (30mm) hole required for panel nut mounting.

**Flow Charts**

**P31 1/4 Regulator**



**⚠ WARNING**

**Product rupture can cause serious injury.  
 Do not connect regulator to bottled gas.  
 Do not exceed Maximum primary pressure rating.**

**CAUTION:**

**REGULATOR PRESSURE ADJUSTMENT** – The working range of knob adjustment is designed to permit outlet pressures within their full range. Pressure adjustment beyond this range is also possible because the knob is not a limiting device. This is a common characteristic of most industrial regulators, and limiting devices may be obtained only by special design. For best performance, regulated pressure should always be set by increasing the pressure up to the desired setting.

**Gauges**

Square flush mount gauge	0-4 bar	<b>K4511SCR04B</b>
	0-11 bar	<b>K4511SCR11B</b>
	0-60 psig	<b>K4511SCR060</b>
	0-160 psig	<b>K4511SCR160</b>
Square with adapter kit	0-4 bar	<b>P6G-PR10040</b>
	0-11 bar	<b>P6G-PR10110</b>
	0-60 psig	<b>P6G-PR90060</b>
	0-160 psig	<b>P6G-PR90160</b>
1.00" Round 1/8" center back mount	0-60 psig / 0-4 bar	<b>K4510N18060</b>
	0-160 psig / 0-11 bar	<b>K4510N18160</b>
40mm Round 1/8" center back mount (Not for use with common port regulators)	0-30 psig / 0-2 bar	<b>K4515N18030</b>
	0-60 psig / 0-4 bar	<b>K4515N18060</b>
	0-160 psig / 0-11 bar	<b>K4515N18160</b>

For best performance, regulated pressure should always be set by increasing the pressure up to the desired setting.



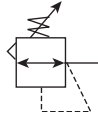
For inventory, lead time, and kit lookup, visit [www.pdnplu.com](http://www.pdnplu.com)

Filters  
Coalescers  
Regulators  
Filter / Regulators  
Lubricators  
Miniature / Inline Products

Miniature Regulators

14R Regulators – Miniature

- Unbalanced poppet standard
- Solid control piston with lip seal for extended life
- Non-rising adjusting knob
- Compact design
- Very easy to service
- 1/8", 1/4" ports (NPT, BSPP, BSPT)



Port size	Description	Part number
1/8"	Without gauge	14R013FC
1/8"	With gauge	14R018FC
1/4"	Without gauge	14R113FC
1/4"	With gauge	14R118FC

NOTE: 1.218 Dia. (31 mm) hole required for panel mounting.

Operating information

Supply pressure (max):	0 to 300 psig (0 to 20.7 bar)
Secondary pressure ranges	
Standard	2 to 125 psig (0 to 8.6 bar)
Medium	1 to 60 psig (0 to 4.1 bar)
Medium	1 to 30 psig (0 to 2.1 bar)
Low	1 to 15 psig (0 to 1 bar)
Operating temperature:	32°F to 125°F (0°C to 52°C)
Low temperature	-4°F to 125°F (-20°C to 52°C)
Flow capacity†:	
High flow	1/8" 13 scfm (6.1 dm <sup>3</sup> /s, ANR)
Low flow	1/4" 15 scfm (7.1 dm <sup>3</sup> /s, ANR)
Gauge ports (2):	1/8 or 1/4 inch
Weight:	0.3 lb (0.14 kg)

† scfm = Standard cubic feet per minute at 100 psig inlet, 90 psig no flow secondary setting and 10 psig pressure drop.

Ordering information:

14R
1
13
F
C

Port Size	
1/8 inch pipe, 1/8 inch gauge port	0
1/4 inch pipe, 1/8 inch gauge port	1
1/4 inch pipe, 1/4 inch gauge port	B
1/8 inch pipe, no gauge port	C
Manifold mounting	M

Port Type	
Blank	NPT
1	BSPP
2	BSPT

Preset / Pressure Limited	
Blank	None
XXX*	Preset pressure
XXX*	Pressure limited

\* Available preset / pressure limited range, 10 to 90 psig in 5 psig increments. For higher pressures, contact factory.  
(Example: 065 = 65 psig)

Pressure Range			
Yellow Knob		Black Knob	
Without gauge			
30 psig	10	30 psig	B0
60 psig	11	60 psig	B1
15 psig	12	15 psig	B2
125 psig	13	125 psig	B3
With gauge*			
30 psig	15	30 psig	B5
60 psig	16	60 psig	B6
15 psig	17	15 psig	B7
125 psig	18	125 psig	B8

\* Not available with BSPP or BSPT port types.

Relief	
F	Relieving
G	Non-relieving
H	Low temp. relieving
J	Low temp. non-relieving

Options	
Blank	No options
L †	Preset non-adjustable
p †	Preset adjustable
S †	Pressure limiter max. adjustable
T †	Pressure limiter max. non-adjustable

† Inlet pressure is 100 psig. For other pressures contact factory.

Spring Type by Preset / Limited Pressure:  
 For Preset / Limited Pressure 10 to 25 use 30 psi spring  
 For Preset / Limited Pressure 26 to 50 use 60 psi spring  
 For Preset / Limited Pressure 51 to 90 use 125 psi spring

Most popular.



For inventory, lead times, and kit lookup, visit [www.pdnplu.com](http://www.pdnplu.com)



## Miniature Regulators

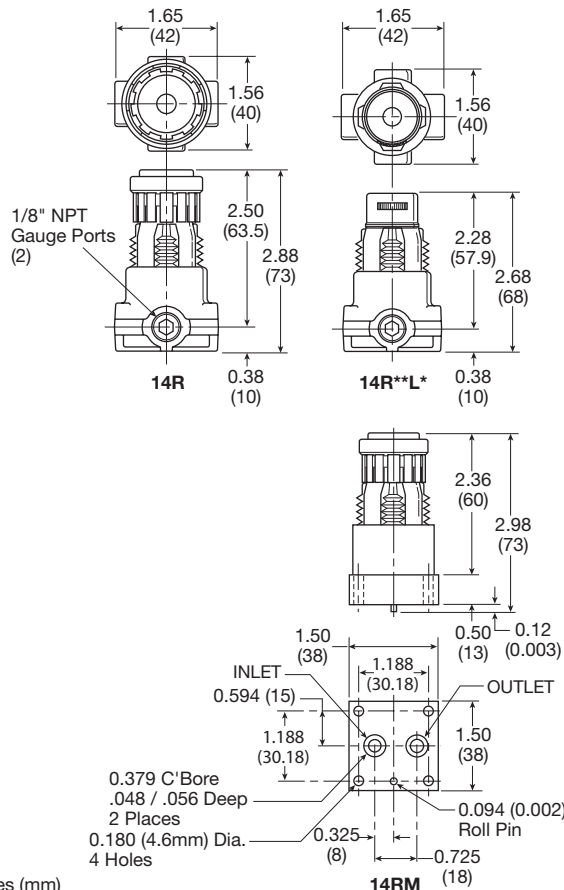
### Material Specifications

Adjusting nut	Brass
Adjusting stem & spring	Steel
Body	Zinc
Bonnet, seat, piston & valve poppet	Plastic
Seals	Nitrile

### Repair and Service Kits

Bonnet assembly kit	L01369
Bonnet tamperproof kit	P01265
30 psig gauge, 1/8" NPT (0 to 2.1 bar)	K4515N18030
60 psig gauge, 1/8" NPT (0 to 4.1 bar)	K4515N18060
160 psig gauge, 1/8" NPT (0 to 11.0 bar)	K4515N18160
60 psig gauge, 1/4" NPT (0 to 4.1 bar)	K4520N14060
160 psig gauge, 1/4" NPT (0 to 11.0 bar)	K4520N14160
Mounting bracket kit* (includes panel mount nut)	PS417BP
Plastic panel mount nuts*	P78652
Metal panel mount nuts*	P01531
Unbalanced non-relieving, poppet / piston kit	PS428P
Unbalanced relieving, poppet / piston kit	PS426P
1-15 psig spring (yellow)	P01176
1-30 psig spring (black)	P01175
1-60 psig spring (white)	P01174
2-125 psig spring (gold)	P01173

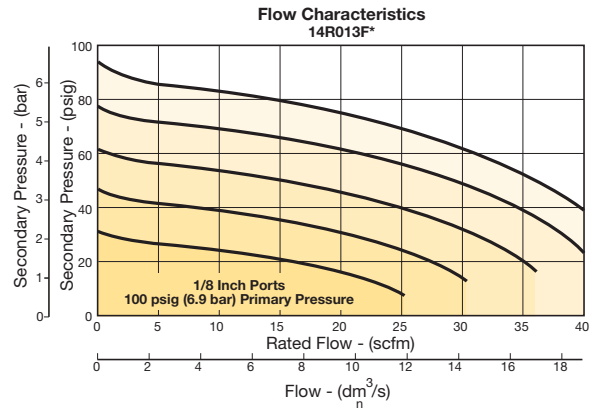
\* Tighten panel mount nut 2.8 to 3.4 Nm (25 to 30 in-lbs) of torque.



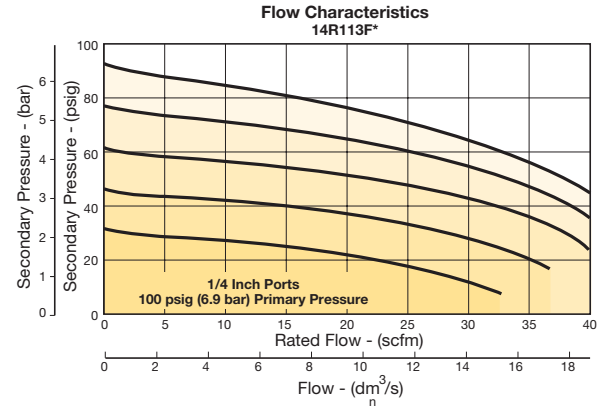
Inches (mm)

### Flow Charts

#### 14R 1/8" Regulators



#### 14R 1/4" Regulators



**⚠ WARNING**

**Product rupture can cause serious injury.  
Do not connect regulator to bottled gas.  
Do not exceed Maximum primary pressure rating.**

#### CAUTION:

**REGULATOR PRESSURE ADJUSTMENT** – The working range of knob adjustment is designed to permit outlet pressures within their full range. Pressure adjustment beyond this range is also possible because the knob is not a limiting device. This is a common characteristic of most industrial regulators, and limiting devices may be obtained only by special design. For best performance, regulated pressure should always be set by increasing the pressure up to the desired setting.



For inventory, lead time, and kit lookup, visit [www.pdnplu.com](http://www.pdnplu.com)

Filters

Coalescers

Regulators

Filter / Regulators

Lubricators



Miniature / Inline Products



## Miniature Regulators

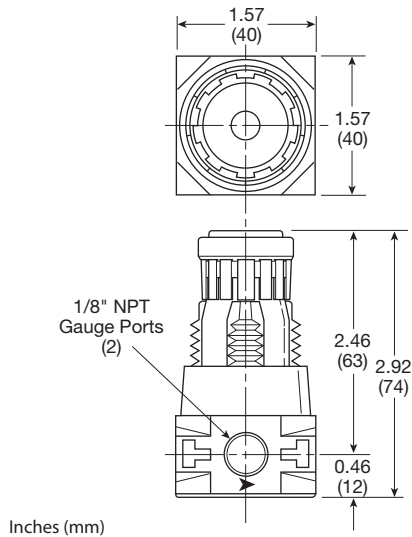
### Material Specifications

Adjusting nut	Brass
Adjusting stem & spring	Steel
Poppet return spring	Stainless Steel
Body	Plastic
Bonnet, seat & piston	Plastic
Seals	Nitrile
Valve poppet	Plastic & nitrile

### Repair and Service Kits

30 psig gauge, 1/8" NPT (0 to 2.1 bar)	<b>K4515N18030</b>
60 psig gauge, 1/8" NPT (0 to 4.1 bar)	<b>K4515N18060</b>
160 psig gauge, 1/8" NPT (0 to 11.0 bar)	<b>K4515N18160</b>
Mounting bracket kit* (includes panel mount nut)	<b>PS417BP</b>
Panel mount nut*	<b>P78652</b>
Unbalanced non-relieving, poppet / piston kit	<b>PS428P</b>
Unbalanced relieving, poppet / piston kit	<b>PS426P</b>
1-15 psig Spring (yellow)	<b>P01176</b>
1-30 psig spring (black)	<b>P01175</b>
1-60 psig spring (white)	<b>P01174</b>
5-110 psig spring (gold)	<b>P01173</b>

\* Tighten panel mount nut 2.8 to 3.4 Nm (25 to 30 in-lbs) of torque.

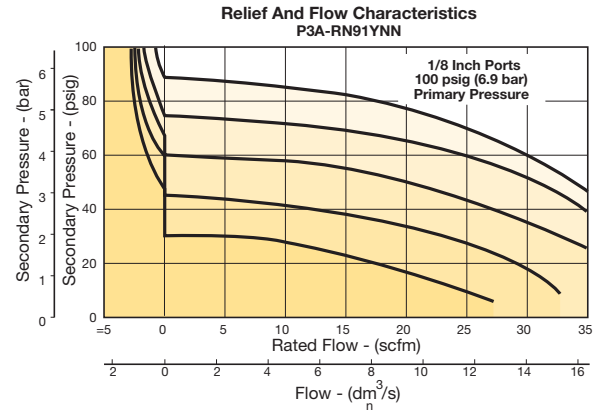


## Air Preparation Products

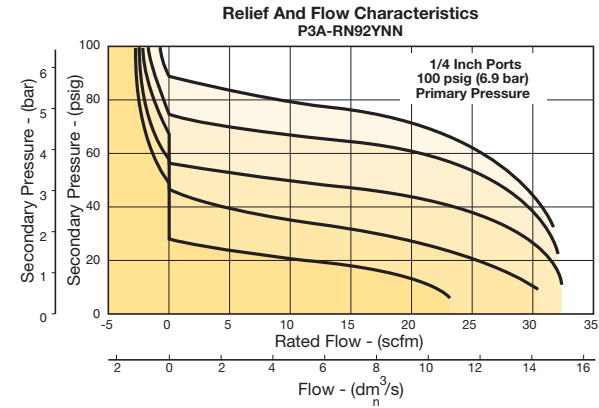
### Miniature / Inline

### Flow Charts

#### P3A-R 1/8" Regulator



#### P3A-R 1/4" Regulator



**WARNING**

Product rupture can cause serious injury.  
Do not connect regulator to bottled gas.  
Do not exceed Maximum primary pressure rating.

**CAUTION:**  
**REGULATOR PRESSURE ADJUSTMENT** – The working range of knob adjustment is designed to permit outlet pressures within their full range. Pressure adjustment beyond this range is also possible because the knob is not a limiting device. This is a common characteristic of most industrial regulators, and limiting devices may be obtained only by special design. For best performance, regulated pressure should always be set by increasing the pressure up to the desired setting.

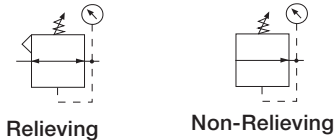


For inventory, lead time, and kit lookup, visit [www.pdnplu.com](http://www.pdnplu.com)

Filters  
Coalescers  
Regulators  
Filter / Regulators  
Lubricators  
Miniature / Inline Products

## R34 Regulators – Miniature

- Diaphragm operated for fast response
- Large diaphragm to valve area ratio for precise regulation and high flow capacity
- Balanced valve design for precise regulation
- Available in 2 or 4 port design
- Available with a manifold mount to minimize plumbing
- Suitable for low temperature applications
- Non-rising adjusting knob
- 1/8", 1/4" ports (NPT, BSPP)



R344-02C



R342-0MC

Port size	Description	Part number	
		Without gauge	With gauge
1/8"	Relieving, 0 to 30 psig	R344-01A	R344-01AG
1/8"	Relieving, 0 to 60 psig	R344-01B	R344-01BG
1/8"	Relieving, 0 to 125 psig	R344-01C	R344-01CG
1/4"	Relieving, 0 to 30 psig	R344-02A	R344-02AG
1/4"	Relieving, 0 to 60 psig	R344-02B	R344-02BG
1/4"	Relieving, 0 to 125 psig	R344-02C	R344-02CG
Manifold	Relieving, 0 to 30 psig	R342-0MA	-
Manifold	Relieving, 0 to 60 psig	R342-0MB	-
Manifold	Relieving, 0 to 125 psig	R342-0MC	-

### Operating information

Supply pressure (max):	300 psig (0 to 20.7 bar)
Operating temperature:	-40°F to 150°F (-40°C to 65.5°C)
Flow capacity†:	
High flow	1/8" 17 scfm (8.0 dm³/s, ANR)
	1/4" 19 scfm (8.9 dm³/s, ANR)
Gauge ports (2):	1/8 inch (no gauge port version available)
Weight:	0.25 lb (0.11 kg)

† scfm = Standard cubic feet per minute at 100 psig inlet, 90 psig no flow secondary setting and 10 psig pressure drop.

### Ordering information:

**R34 4 - 02 C G**

Number of Ports	
2 Ports	2
4 Ports	4*

\* Not available with manifold mount.

Thread	
NPT	-
BSPP	G

Port	
1/8 inch	01
1/4 inch	02
Manifold mount	0M

Pressure range	
0 to 30 psi	A
0 to 60 psi	B
0 to 125 psi	C

Preset	
Blank	None
XXX*	Preset pressure

\* Available preset / pressure limited range, 10 to 90 psig in 5 psig increments. For higher pressures, contact factory.  
(Example: 065 = 65 psig)

Options	
Blank	No options
L †	Preset non-adjustable
M †	Preset adjustable

† Inlet pressure is 100 psig. For other pressures contact factory.

Options	
Blank	No option
G	Gauge
K	Non-relieving diaphragm
N	Unbalanced
P	Panel mount nut
X64	Fluorocarbon elastomers

Most popular.



For inventory, lead times, and kit lookup, visit [www.pdnplu.com](http://www.pdnplu.com)

# Miniature Regulators

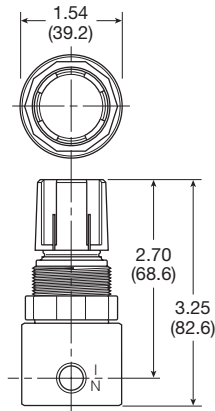
## Material Specifications

Body	Aluminum
Bonnet	Acetal
Diaphragm & seals	Nitrile
Valve assembly	Brass
Springs	Steel
Panel Nut	Acetal

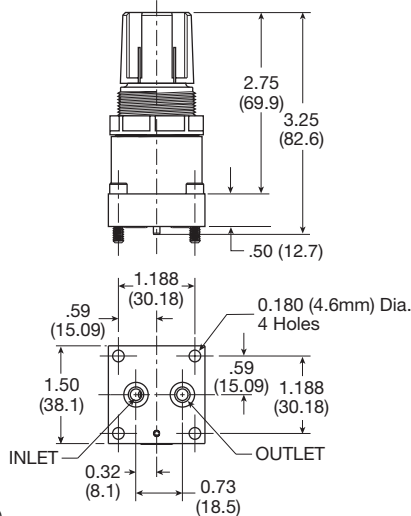
## Repair and Service Kits

Diaphragm assembly, non-relieving	<b>GRP-96-726</b>
Diaphragm assembly, relieving	<b>GRP-96-725</b>
0 to 30 psig (0 to 2.1 bar), spring, regulating	<b>GRP-95-111</b>
0 to 60 psig (0 to 4.1 bar) spring, regulating	<b>GRP-96-718</b>
0 to 125 psig (0 to 8.6 bar) spring, regulating	<b>GRP-96-717</b>
Panel mount nut, aluminum	<b>R05X51-A</b>
Panel mount nut, plastic	<b>R05X51-P</b>
Mounting bracket kit (includes panel mount nut)	<b>SA161X57</b>
1-1/2" Dial Face, 1/8 NPT, CBM, 0 to 60 psig (0 to 4.1 bar), gauge	<b>K4515N18060</b>
1-1/2" Dial Face, 1/8 NPT, CBM, 0 to 160 psig (0 to 11.0 bar), gauge	<b>K4515N18160</b>
Tamperproof knob kit	<b>P31KB00AT</b>

### R342 / R344



### R342-0MC

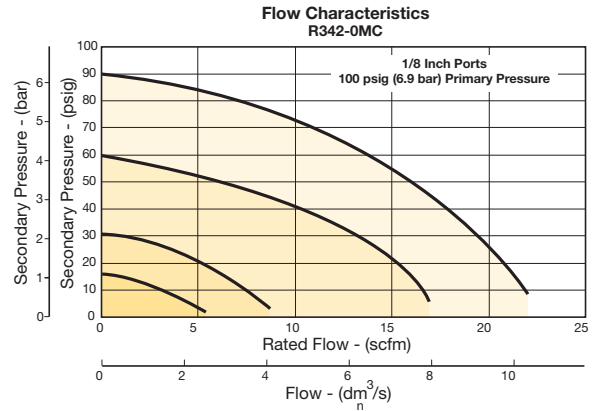


Inches (mm)

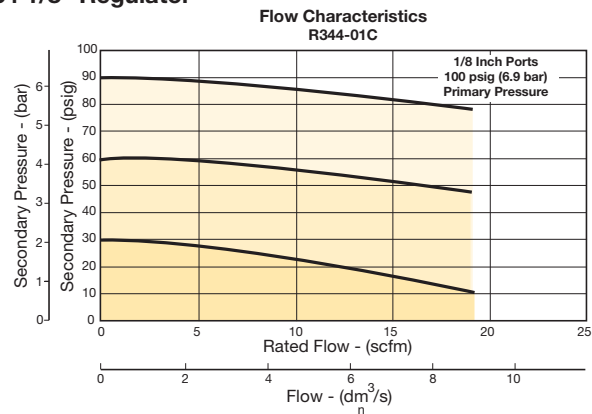
# Air Preparation Products Miniature / Inline

## Flow Charts

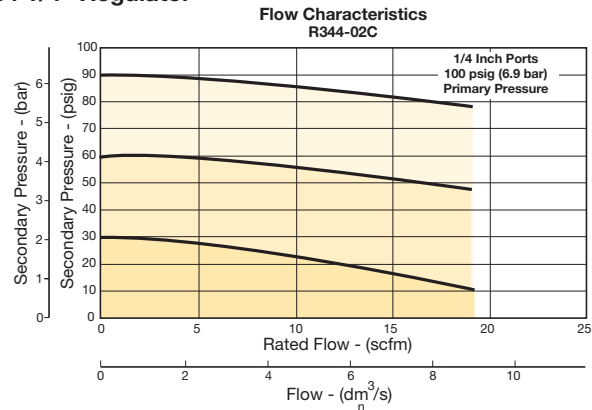
### R34 1/8" Manifold Mount



### R34 1/8" Regulator



### R34 1/4" Regulator



**WARNING**  
Product rupture can cause serious injury.  
Do not connect regulator to bottled gas.  
Do not exceed Maximum primary pressure rating.

### CAUTION:

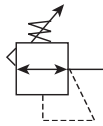
**REGULATOR PRESSURE ADJUSTMENT** – The working range of knob adjustment is designed to permit outlet pressures within their full range. Pressure adjustment beyond this range is also possible because the knob is not a limiting device. This is a common characteristic of most industrial regulators, and limiting devices may be obtained only by special design. For best performance, regulated pressure should always be set by increasing the pressure up to the desired setting.



For inventory, lead time, and kit lookup, visit [www.pdnplu.com](http://www.pdnplu.com)

## R25 Regulators – Miniature

- Lightweight plastic body
- Unbalanced poppet standard
- Non-rising, push-to-lock adjusting knob
- Compact, 3.10 Inch (79 mm) high by 1.60 Inch (41 mm) wide
- Lightweight
- Diaphragm operated
- 1/8", 1/4" ports (NPT)



### Operating information

Supply pressure (max):	Inlet 150 psig (10.0 bar)
Operating temperature:	40°F to 125°F (4°C to 52°C)
Gauge ports (2):	1/8 inch (can be used for full flow)
Weight:	0.25 lb (0.11 kg)

Port size	Description	Part number
1/8"	Relieving, 0-125 reduced pressure, without gauge	<b>R25-01C</b>
1/4"	Relieving, 0-125 reduced pressure, without gauge	<b>R25-02C</b>

NOTE: 1.250 Dia. (31.8 mm) hole required for panel mounting.

### Ordering information:

<b>R25</b>		<b>-</b>		<b>02</b>		<b>C</b>		<b> </b>	
<b>Type</b>		<b>Port Size</b>		<b>Relief</b>		<b>Pressure Range</b>			
Buna Elastomers R25		1/8 inch 01 1/4 inch 02		Blank Relieving P Panel Mount Nut		A 0 to 25 psig (0 to 2 bar) B 0 to 60 psig (0 to 4 bar) C 0 to 125 psig (0 to 125 (0 to 8 bar)			

Most popular.



For inventory, lead times, and kit lookup, visit [www.pdnplu.com](http://www.pdnplu.com)

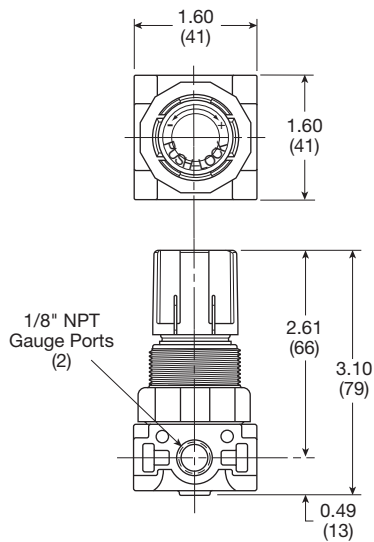
## Miniature Regulators

### Material Specifications

Adjusting screw	Steel
Body	Acetal
Bonnet and seat	Acetal
Diaphragm	Buna N
Seals	Buna N
Springs	Stainless steel
Valve poppet	Buna N

### Repair and Service Kits

Panel mount nut, plastic	<b>R05X51-P</b>
Panel mount nut, aluminum	<b>R05X51-A</b>
Mounting bracket and nut	<b>SA161X57</b>
Relieving (Buna)	<b>RKR25Y</b>
Non-Relieving (Buna)	<b>RKR25KY</b>
0-25 psig spring	<b>SPR-375-1</b>
0-60 psig spring	<b>SPR-376</b>
0-125 psig spring	<b>SPR-377</b>

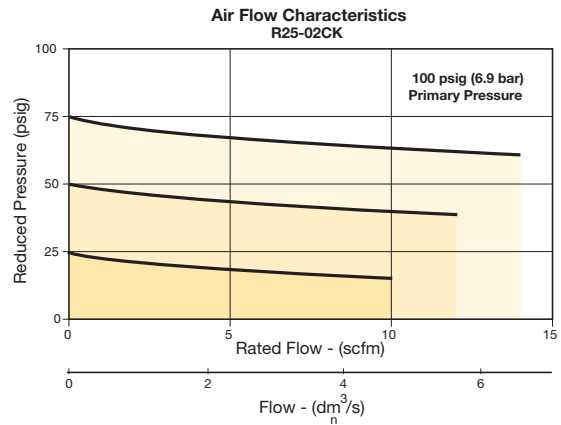


Inches (mm)

## Air Preparation Products Miniature / Inline

### Flow Charts

#### R25 1/4" Regulator



**⚠ WARNING**

**Product rupture can cause serious injury.  
Do not connect regulator to bottled gas.  
Do not exceed Maximum primary pressure rating.**

#### CAUTION:

**REGULATOR PRESSURE ADJUSTMENT** – The working range of knob adjustment is designed to permit outlet pressures within their full range. Pressure adjustment beyond this range is also possible because the knob is not a limiting device. This is a common characteristic of most industrial regulators, and limiting devices may be obtained only by special design. For best performance, regulated pressure should always be set by increasing the pressure up to the desired setting.



For inventory, lead time, and kit lookup, visit [www.pdnplu.com](http://www.pdnplu.com)

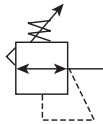
J25

**Parker Hannifin Corporation**  
Pneumatic Division  
Richland, Michigan  
[www.parker.com/pneumatics](http://www.parker.com/pneumatics)

Filters
Coalescers
Regulators
Filter / Regulators
Lubricators
Miniature / Inline Products

## R45 Regulators – Miniature

- Lightweight plastic body
- Unbalanced poppet standard
- Non-rising, push-to-lock adjusting knob
- Compact, 3.43 inch (87.1 mm) high by 2.06 inch (52.3 mm) wide
- Lightweight
- Diaphragm operated
- 1/4", 3/8" ports (NPT)



Port size	Description	Part number
1/4"	Relieving, 0-125 reduced pressure, without gauge	<b>R45-02C</b>
3/8"	Relieving, 0-125 reduced pressure, without gauge	<b>R45-03C</b>

NOTE: 1.250 Dia. (31.8 mm) hole required for panel mounting.

### Operating information

Supply pressure (max):	Inlet 150 psig (10.0 bar)
Operating temperature:	40°F to 125°F (4°C to 52°C)
Gauge ports (2):	1/4 inch (can be used for full flow)
Weight:	0.38 lb (0.17 kg)

### Ordering information:

<b>R45</b> - <b>02</b> <b>C</b> <span style="border: 1px solid black; display: inline-block; width: 20px; height: 15px; vertical-align: middle;"></span>													
<table border="1"> <thead> <tr><th>Type</th></tr> </thead> <tbody> <tr><td>Buna Elastomers</td></tr> <tr><td>R45</td></tr> </tbody> </table>	Type	Buna Elastomers	R45	<table border="1"> <thead> <tr><th>Relief</th></tr> </thead> <tbody> <tr><td>Blank</td></tr> <tr><td>Relieving</td></tr> <tr><td>P</td></tr> <tr><td>Panel Mount Nut</td></tr> </tbody> </table>	Relief	Blank	Relieving	P	Panel Mount Nut				
Type													
Buna Elastomers													
R45													
Relief													
Blank													
Relieving													
P													
Panel Mount Nut													
<table border="1"> <thead> <tr><th>Port Size</th></tr> </thead> <tbody> <tr><td>1/4 inch</td></tr> <tr><td>02</td></tr> <tr><td>3/8 inch</td></tr> <tr><td>03</td></tr> </tbody> </table>	Port Size	1/4 inch	02	3/8 inch	03	<table border="1"> <thead> <tr><th>Pressure Range</th></tr> </thead> <tbody> <tr><td>A</td></tr> <tr><td>0 to 25 psig (0 to 2 bar)</td></tr> <tr><td>B</td></tr> <tr><td>0 to 60 psig (0 to 4 bar)</td></tr> <tr><td>C</td></tr> <tr><td>0 to 125 psig (0 to 8 bar)</td></tr> </tbody> </table>	Pressure Range	A	0 to 25 psig (0 to 2 bar)	B	0 to 60 psig (0 to 4 bar)	C	0 to 125 psig (0 to 8 bar)
Port Size													
1/4 inch													
02													
3/8 inch													
03													
Pressure Range													
A													
0 to 25 psig (0 to 2 bar)													
B													
0 to 60 psig (0 to 4 bar)													
C													
0 to 125 psig (0 to 8 bar)													

Most popular.



For inventory, lead times, and kit lookup, visit [www.pdnplu.com](http://www.pdnplu.com)

J26

**Parker Hannifin Corporation**  
 Pneumatic Division  
 Richland, Michigan  
[www.parker.com/pneumatics](http://www.parker.com/pneumatics)



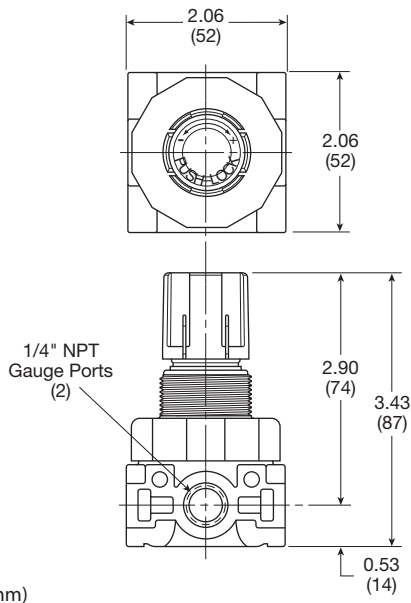
## Miniature Regulators

### Material Specifications

Adjusting screw	Steel
Body	Acetal
Bonnet and seat	Acetal
Diaphragm	Buna N
Seals	Buna N
Springs	Stainless steel
Valve Poppet	Buna N

### Repair and Service Kits

Panel mount nut, plastic	<b>R05X51</b>
Panel mount nut, aluminum	<b>R05X51-A</b>
Mounting bracket and nut	<b>SA161X57</b>
Relieving	<b>RKR45Y</b>
Non-Relieving	<b>RKR45KY</b>
0-25 psig spring	<b>SPR-46</b>
0-60 psig spring	<b>SPR-47</b>
0-125 psig spring	<b>SPR-48</b>

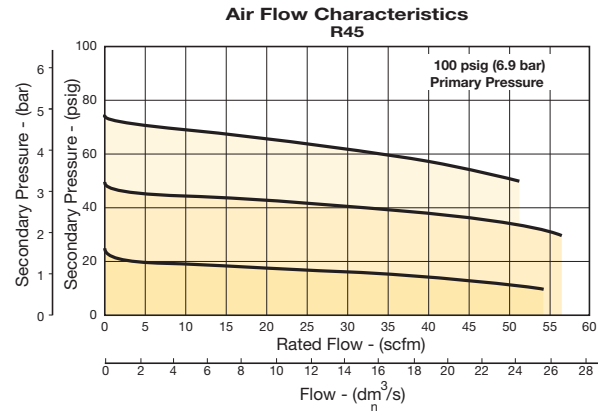


Inches (mm)

## Air Preparation Products Miniature / Inline

### Flow Charts

#### R45 1/4" Regulator



### WARNING

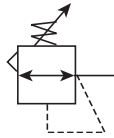
Product rupture can cause serious injury.  
Do not connect regulator to bottled gas.  
Do not exceed Maximum primary pressure rating.

### CAUTION:

**REGULATOR PRESSURE ADJUSTMENT** – The working range of knob adjustment is designed to permit outlet pressures within their full range. Pressure adjustment beyond this range is also possible because the knob is not a limiting device. This is a common characteristic of most industrial regulators, and limiting devices may be obtained only by special design. For best performance, regulated pressure should always be set by increasing the pressure up to the desired setting.

## 15R Regulators – Economy

- Solid control piston with resilient seat for service-free operation
- Non-rising “locking” adjusting knob
- Compact, 3.30 inch (84 mm) high by 2.12 inch (54 mm) wide
- Easily serviced
- 1/4", 3/8" ports (NPT)



Port size	Description	Part number
1/4"	Without gauge	<b>15R113FB</b>
1/4"	With gauge	<b>15R118FB</b>
3/8"	Without gauge	<b>15R213FB</b>
3/8"	With gauge	<b>15R218FB</b>

NOTE: 1.218 Dia. (31 mm) hole required for panel mounting.

### Operating information

Supply pressure (max):	0 to 250 psig (0 to 17.2 bar)	
Secondary pressure ranges	Standard	2 to 125 psig (0 to 8.6 bar)
	Medium	1 to 60 psig (0 to 4.1 bar)
	Medium	1 to 30 psig (0 to 1.7 bar)
	Low	1 to 15 psig (0 to 1 bar)
Operating temperature:	32°F to 125°F (0°C to 52°C)	
	Low temperature	-4°F to 125°F (-20°C to 52°C)
Flow capacity†:	High flow	1/4" 21 scfm (9.9 dm <sup>3</sup> /s, ANR)
		3/8" 28 scfm (13.2 dm <sup>3</sup> /s, ANR)
Gauge ports (2):	1/4 inch	
	(can be used at full flow)	
Weight:	0.5 lb (0.23 kg)	

† scfm = Standard cubic feet per minute at 100 psig inlet, 90 psig no flow secondary setting and 10 psig pressure drop.

### Ordering information:

<b>15R</b>	<b>1</b>	<b>13</b>	<b>F</b>	<b>B</b>
<b>Port Size</b>				<b>Engineering Level</b>
1/4 inch	1			B
3/8 inch	2			Current
		<b>Pressure Range</b>		<b>Relief</b>
		Without gauge		F Relieving
		15 psig	12	G Non-relieving
		30 psig	10	H Low temp relieving
		60 psig	11	J Low temp non-relieving
		125 psig	13	
		With gauge		
		15 psig	17	
		30 psig	15	
		60 psig	16	
		125 psig	18	

Most popular.



For inventory, lead times, and kit lookup, visit [www.pdnplu.com](http://www.pdnplu.com)

J28

**Parker Hannifin Corporation**  
 Pneumatic Division  
 Richland, Michigan  
[www.parker.com/pneumatics](http://www.parker.com/pneumatics)

## Economy Regulators

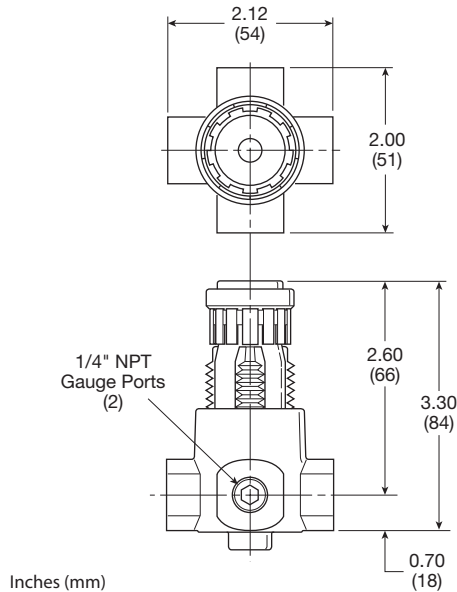
### Material Specifications

Adjusting nut	Brass
Adjusting stem & spring	Steel
Body	Zinc
Bonnet, seat, piston & valve poppet	Plastic
Seals	Nitrile

### Repair and Service Kits

Body Service Kit – Unbalanced	<b>PS424BP</b>
Bonnet Assembly Kit	<b>L01369</b>
30 psig, 1/8" NPT (0 to 2.1 bar) gauge	<b>K4515N18030</b>
60 psig, 1/8" NPT (0 to 4.1 bar) gauge	<b>K4515N18060</b>
160 psig, 1/8" NPT (0 to 11.0 bar) gauge	<b>K4515N18160</b>
60 psig, 1/4" NPT (0 to 4.1 bar) gauge	<b>K4520N14060</b>
160 psig, 1/4" NPT (0 to 11.0 bar) gauge	<b>K4520N14160</b>
Mounting bracket kit* (Includes panel mount nut)	<b>PS417BP</b>
Panel mount nuts*, plastic	<b>P78652</b>
Panel mount nuts*, metal	<b>P01531</b>
Poppet / piston kit, unbalanced, non-relieving	<b>PS428P</b>
Poppet / piston kit, unbalanced, relieving	<b>PS426P</b>
Seal, unbalanced	<b>PS454B</b>
1-15 psig spring (yellow)	<b>P01176</b>
1-30 psig spring (black)	<b>P01175</b>
1-60 psig spring (white)	<b>P01174</b>
2-125 psig spring (gold)	<b>P01173</b>

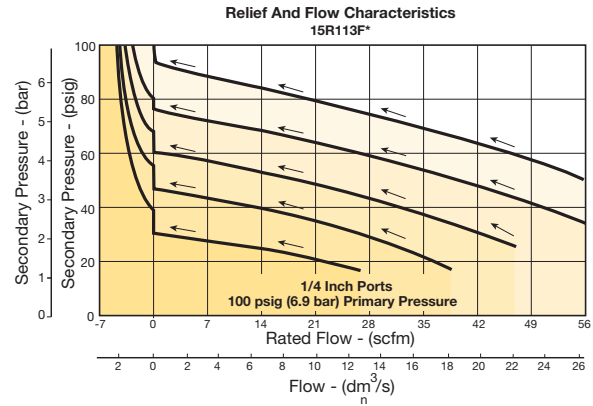
\* Tighten panel mount nut 2.8 to 3.4 Nm (25 to 30 in-lbs) of torque.



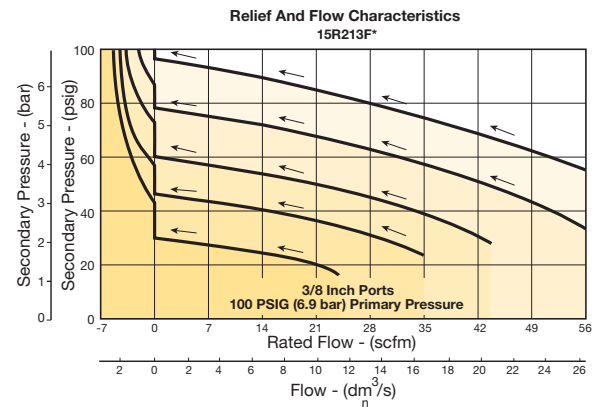
## Air Preparation Products Miniature / Inline

### Flow Charts

#### 15R 1/4" Regulator



#### 15R 3/8" Regulator



**⚠ WARNING**

**Product rupture can cause serious injury.  
Do not connect regulator to bottled gas.  
Do not exceed Maximum primary pressure rating.**

#### CAUTION:

**REGULATOR PRESSURE ADJUSTMENT** – The working range of knob adjustment is designed to permit outlet pressures within their full range. Pressure adjustment beyond this range is also possible because the knob is not a limiting device. This is a common characteristic of most industrial regulators, and limiting devices may be obtained only by special design. For best performance, regulated pressure should always be set by increasing the pressure up to the desired setting.

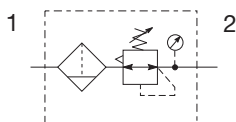
Filters
Coalescers
Regulators
Filter / Regulators
Lubricators
Miniature / Inline Products



For inventory, lead time, and kit lookup, visit [www.pdnplu.com](http://www.pdnplu.com)

## P31 Filter / Regulators – Mini

- Integral 1/4" ports (NPT, BSPP & BSPT)
- High efficiency 5 micron element as standard
- Excellent water removal efficiency
- Robust but lightweight aluminum construction
- Positive bayonet latch to ensure correct & safe fitting
- Secondary pressure ranges
- Secondary aspiration plus balanced poppet provides quick response and accurate pressure regulation



Port size	Description (relieving)	Bowl / drain type	Part number
1/4"	125 psig (8 bar)	Poly / manual	<b>P31EB92EGMBN5P</b>
1/4"	125 psig (8 bar)	Poly / pulse	<b>P31EB92EGBBN5P</b>
1/4"	125 psig (8 bar)	Metal / manual	<b>P31EB92EMMBN5P</b>
1/4"	125 psig (8 bar)	Metal / pulse	<b>P31EB92EMBBN5P</b>

### Operating information

Flow capacity*:	1/4	32 scfm (15 dm <sup>3</sup> /s, ANR)
Operating temperature‡:	Plastic bowl	14°F to 125°F (-10°C to 52°C)
	Metal bowl	14°F to 150°F (-10°C to 65.5°C)
Supply pressure (max):	Plastic bowl	150 psig (10 bar)
	Metal bowl	250 psig (17 bar)
Standard filtration		5 micron
Useful retention†:		0.4 US oz. (12 cm <sup>3</sup> )
Adjusting range pressure:		0 to 30 psig (0 to 2 bar)
		0 to 60 psig (0 to 4 bar)
		0 to 125 psig (0 to 8 bar)
		0 to 250 psig (0 to 17 bar)
Gauge port (2 each)**:		1/8 NPT, BSPP, BSPT
Weight:		0.42 lb (0.19 kg)

\* Inlet pressure 145 psig (10 bar). Secondary pressure 91.3 psig (6.3 bar) and 14.5 psig (1 bar) pressure drop.

\*\* Non-gauge option only.

‡ Units with square gauges: 5°F to 150°F (-15°C to 65.5°C)

† Useful retention refers to volume below the quiet zone baffle.

Air quality: Within ISO 8573-1: 1991 Class 3 (Particulates)  
 Within ISO 8573-1: 2001 Class 6 (Particulates)

### Ordering Information:

Basic series		Thread type		Element		Port size		Bowl type		Drain type		Adjustment		Mounting	
Global modular mini filter / regulator P31EB		BSPP 1	BSPT 2	5µ element E		1/4 2		Poly bowl with bowl guard G Metal bowl without sight gauge M		Pulse drain B Manual drain M		N Non-rising knob		p Plastic panel mount nut	
												Relief			
												B Relieving N Non-relieving			
												Adjustment range			
												With square gauge		With round gauge	
												psig bar		Z 30 psig; 2 bar; 0.2 MPa	
												1 = 30* V = 2*		M 60 psig; 4 bar; 0.4 MPa	
												3 = 60 S = 4		G 125 psig; 8 bar; 0.8 MPa	
												5 = 125 T = 8		J <sup>§</sup> 232 psig; 16 bar; 1.6 MPa	
														Without gauge	
														Y 30 psig; 2 bar; 0.2 MPa	
														L 60 psig; 4 bar; 0.4 MPa	
														N 125 psig; 8 bar; 0.8 MPa	
														H <sup>§</sup> 232 psig; 16 bar; 1.6 MPa	

\* Regulator comes with gauge respective to the adjustment range selected.  
 § Not available with poly bowl with bowl guard.

Most popular.



For inventory, lead times, and kit lookup, visit [www.pdnplu.com](http://www.pdnplu.com)

J30

**Parker Hannifin Corporation**  
 Pneumatic Division  
 Richland, Michigan  
[www.parker.com/pneumatics](http://www.parker.com/pneumatics)

## Mini Filter / Regulators

### Material Specifications

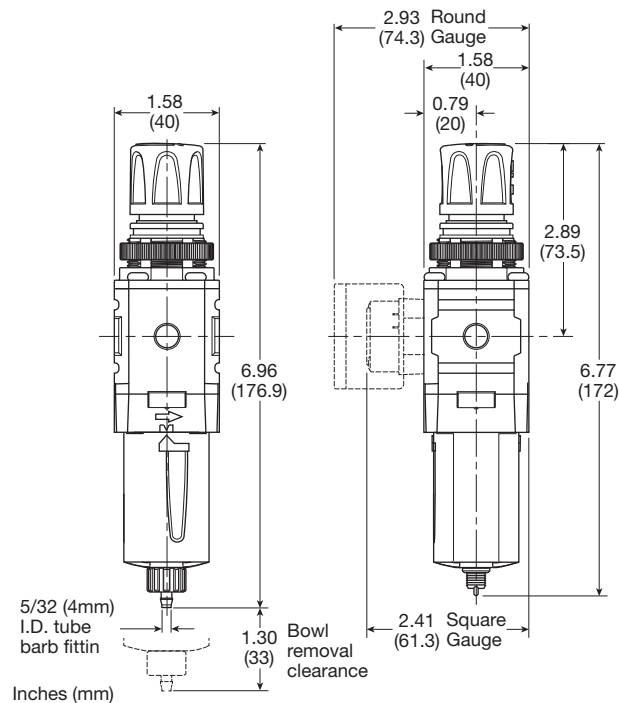
Body	Aluminum
Adjustment knob	Acetal
Body cap	ABS
Bonnet	PBT
Plastic bowl	Polycarbonate
Metal bowl	Aluminum
Bowl guard	Nylon
Filter element	Polyethylene
Seals	Nitrile
Springs	Steel
Valve assembly	Brass / Nitrile
Diaphragm assembly	Brass / Nitrile
Panel nut	Acetal

### WARNING

**Product rupture can cause serious injury.  
Do not connect regulator to bottled gas.  
Do not exceed Maximum primary pressure rating.**

### CAUTION:

**REGULATOR PRESSURE ADJUSTMENT** – The working range of knob adjustment is designed to permit outlet pressures within their full range. Pressure adjustment beyond this range is also possible because the knob is not a limiting device. This is a common characteristic of most industrial regulators, and limiting devices may be obtained only by special design. For best performance, regulated pressure should always be set by increasing the pressure up to the desired setting.



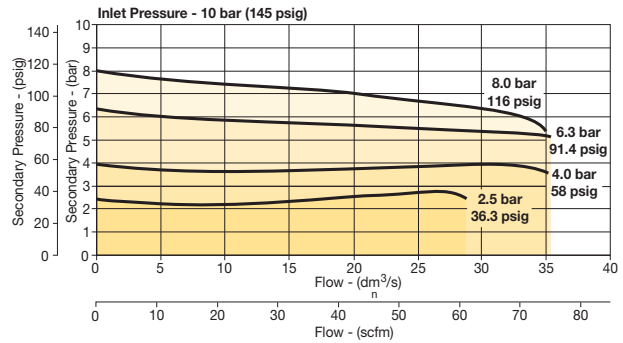
Manual Drain

Pulse Drain

## Air Preparation Products Miniature / Inline

### Flow Charts

#### P31 1/4 Filter / Regulator



### Repair and Service Kits

Plastic bowl / bowl guard manual drain	<b>P31KB00BGM</b>
Plastic bowl / bowl guard pulse drain	<b>P31KB00BGB</b>
Metal bowl / w/o sight gauge pulse drain	<b>P31KB00BMB</b>
5µ particle filter element	<b>P31KA00ESE</b>
Diaphragm repair kit - relieving	<b>P31KB00RB</b>
Diaphragm repair kit - non-relieving	<b>P31KB00RC</b>
Panel mount nut - aluminum	<b>P31KA00MM</b>
Panel mount nut - plastic	<b>P31KA00MP</b>
Angle bracket (attaches via panel nut)	<b>P31KB00MR</b>
C-bracket (fits to body)	<b>P31KA00MW</b>
T-bracket with body connector	<b>P31KA00MT</b>
Body connector	<b>P31KA00CB</b>

### Gauges

Square flush mount gauge	0-4 bar	<b>K4511SCR04B</b>
	0-11 bar	<b>K4511SCR11B</b>
	0-60 psig	<b>K4511SCR060</b>
	0-160 psig	<b>K4511SCR160</b>

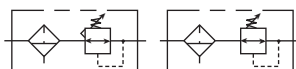
For best performance, regulated pressure should always be set by increasing the pressure up to the desired setting.



For inventory, lead time, and kit lookup, visit [www.pdnplu.com](http://www.pdnplu.com)

## B34 Filter / Regulator – Miniature

- Excellent water removal efficiency
- Diaphragm operated for fast operation
- Large diaphragm to valve area for precise regulation and high flow capacity
- Balanced valve design for precise regulation
- Space saving package offers both filter and regulator features in one integral unit
- Non-rising adjustment knob
- 1/8", 1/4" ports (NPT, BSPP)



Port size	Description †	Part number
1/8"	Poly bowl, twist drain	<b>B344-01AGC</b>
1/8"	Metal bowl, twist drain	<b>B344-01DGC</b>
1/4"	Poly bowl, twist drain	<b>B344-02AGC</b>
1/4"	Metal bowl, twist drain	<b>B344-02DGC</b>

† For polycarbonate bowl, see caution in Engineering Section A.  
NOTE: 1.218 Dia. (31 mm) hole required for panel mounting.

### Operating information

Supply pressure (max):		Zinc bowl (D)	0 to 300 psig (0 to 20.7 bar)
		Poly bowl (A)	0 to 150 psig (0 to 10.3 bar)
Operating temperature:		40°F to 150°F (4.4°C to 52°C)	
Reduced pressure range:		0 to 25 psig (0 to 1.7 bar)	
		0 to 60 psig (0 to 4.1 bar)	
		2 to 125 psig (0.15 to 8.5 bar)	
Flow capacity†:			
High flow		1/8"	17 scfm (8 dm <sup>3</sup> /s, ANR)
		1/4"	19 scfm (9 dm <sup>3</sup> /s, ANR)
Bowl capacity:		1 oz.	
Weight:		Zinc bowl	0.6 lb (0.27 kg)
		Poly bowl	0.3 lb (0.14 kg)
† scfm = Standard cubic feet per minute at 100 psig inlet and 75 psig no flow secondary setting and 25% pressure drop.			
( ) Bowl type			

### Ordering information:

**B34 4 - 02 A G C**

Number of Ports	
2 Ports	2
4 Ports	4

Port Type	
NPT	-
BSPP	G

Port Size	
1/8 inch	01
1/4 inch	02

Element	
Polycarbonate bowl	A
Metal without sight gauge	D

Element	
5	Micron

Options	
Blank	None
G	Gauge
K	Non-relieving
P	Panel mount (plastic)
S	Auto pulse drain

Reduced Pressure Range	
A	0-25 psig
B	0-60 psig
C	0-125 psig

☐ Most popular.



For inventory, lead times, and kit lookup, visit [www.pdnplu.com](http://www.pdnplu.com)

## Miniature Filter / Regulators

### Material Specifications

Adjusting Knob	Acetal
Body	Aluminum
Polycarbonate bowl (A)	Polycarbonate
Metal bowl (D)	Zinc
Elastomers	Buna N
Filter Element	Sintered polyethylene
Filter retainer, vane plate	Acetal
Innervalve, diaphragm, button, drain	Brass

### Repair and Service Kits

Adjusting knob	<b>RRP-16-005-000</b>
Zinc bowl (D)	<b>BK505Y</b>
Zinc bowl with auto pulse drain (D)	<b>BK505SY</b>
Polycarbonate bowl (A)	<b>BK504Y</b>
Polycarbonate bowl with auto pulse drain (A)	<b>BK504SY</b>
Automatic pulse drain (Maximum pressure = 175 psig)	<b>RK504SY</b>
5 micron element (All)	<b>FRP-96-729</b>
1-1/2" dial size, 1/8" back connection 0 to 60 psig (0 to 400 kPa), gauge	<b>K4515N18060</b>
1-1/2" dial size, 1/8" back connection 0 to 160 psig (0 to 1100 kPa), gauge	<b>K4515N18160</b>
Mounting bracket kit (includes plastic panel nut)	<b>SA161X57</b>
Panel mount nut, plastic	<b>R05X51-P</b>
Panel mount nut, aluminum	<b>R05X51-A</b>
Non-relieving diaphragm, valve assembly (All)	<b>GRP-96-726</b>
Relieving diaphragm, valve assembly (All)	<b>GRP-96-725</b>
0-25 psig gauge	<b>GRP-95-111</b>
0-60 psig gauge	<b>GRP-96-718</b>
0-125 psig gauge	<b>GRP-96-717</b>

### WARNING

**Product rupture can cause serious injury.  
Do not connect regulator to bottled gas.  
Do not exceed Maximum primary pressure rating.**

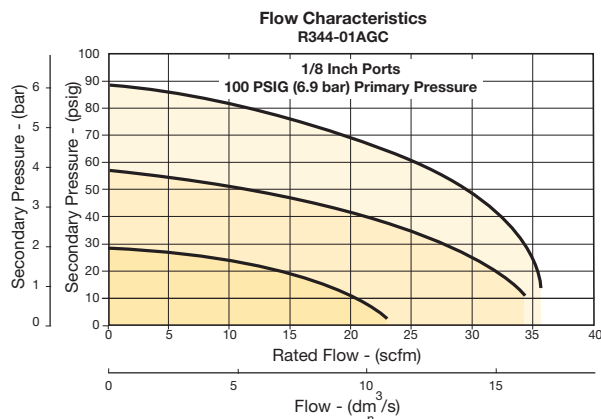
### CAUTION:

**REGULATOR PRESSURE ADJUSTMENT** – The working range of knob adjustment is designed to permit outlet pressures within their full range. Pressure adjustment beyond this range is also possible because the knob is not a limiting device. This is a common characteristic of most industrial regulators, and limiting devices may be obtained only by special design. For best performance, regulated pressure should always be set by increasing the pressure up to the desired setting.

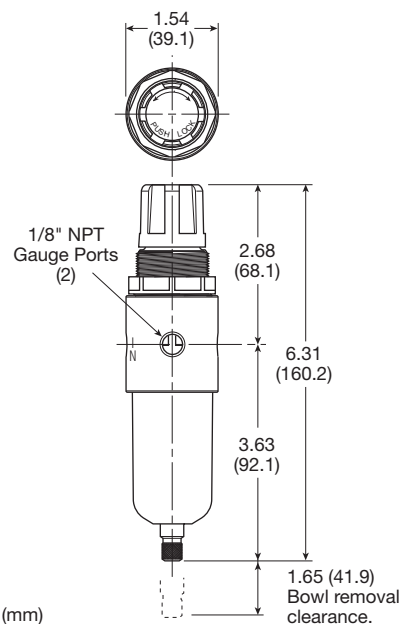
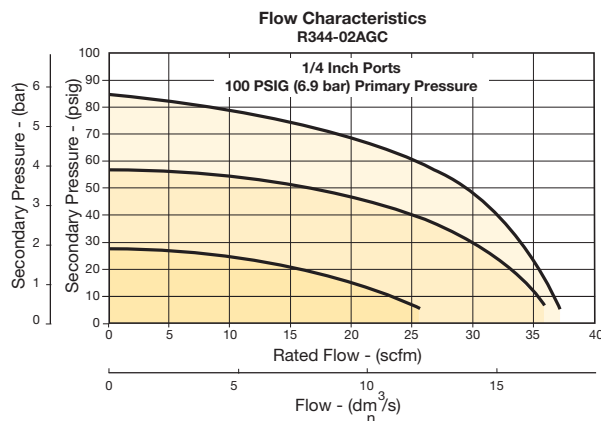
## Air Preparation Products Miniature / Inline

### Flow Charts

#### B34 1/8" Filter / Regulator

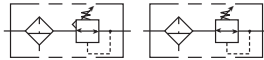


#### B34 1/4" Filter / Regulator



**14E Filter / Regulator – Miniature**

- Excellent water removal efficiency
- Unbalanced poppet standard
- Solid control piston for extended life
- Space saving package offers both filter and regulator features in one integral unit
- Non-rising adjustment knob
- Two full flow 1/8" gauge ports
- 1/8", 1/4" ports (NPT, BSPP, BSPT)



Port size	Description †	Part number
1/8"	Poly bowl, twist drain	<b>14E01B13FC</b>
1/8"	Metal bowl, twist drain	<b>14E03B13FC</b>
1/8"	Poly bowl, auto pulse drain	<b>14E05B13FC</b>
1/8"	Metal bowl, auto pulse drain	<b>14E07B13FC</b>
1/4"	Poly bowl, twist drain	<b>14E11B13FC</b>
1/4"	Metal bowl, twist drain	<b>14E13B13FC</b>
1/4"	Poly bowl, auto pulse drain	<b>14E15B13FC</b>
1/4"	Metal bowl, auto pulse drain	<b>14E17B13FC</b>

† For polycarbonate bowl, see caution in Engineering Section A.  
NOTE: 1.218 Dia. (31 mm) hole required for panel mounting.

**Operating information**

Supply pressure (max):		
Plastic bowl		0 to 150 psig (0 to 10.3 bar)
Metal bowl		0 to 250 psig (0 to 17.2 bar)
Secondary pressure ranges		
Standard		2 to 125 psig (0 to 8.6 bar)
Medium		1 to 30 psig (0 to 2.1 bar)
Medium		1 to 60 psig (0 to 4.1 bar)
Low		1 to 15 psig (0 to 1 bar)
Operating temperature:		
Plastic bowl		32°F to 125°F (0°C to 52°C)
Metal bowl		32°F to 175°F (0°C to 80°C)
Flow capacity†:		
High flow	1/8"	16 scfm (7.6 dm³/s, ANR)
	1/4"	18 scfm (8.5 dm³/s, ANR)
Bowl capacity:		1 oz.
Auto pulse drain tube barb		1/8 inch
Gauge ports (2):		1/8 inch (can be used as additional full flow)
Weight:		0.4 lb (0.18 kg)

† scfm = Standard cubic feet per minute at 100 psig inlet and 10 psig pressure drop.

**Ordering information:**

**14E**

Port Size	
1/8 inch	0
1/4 inch	1

**1**

Bowl Options	
Poly bowl, twist drain	1
Poly bowl, auto pulse drain	5
Metal bowl, twist drain	3
Metal bowl, auto pulse drain	7

**1**

Element	
40 Micron	A
5 Micron	B
Adsorber	Z

**B**

**13**

Pressure Range	Without gauge	With gauge*
30 psig	10	30 psig 15
60 psig	11	60 psig 16
15 psig	12	15 psig 17
125 psig	13	125 psig 18

**F**

Relief	
F	Relieving
G	Non-relieving
H*	Low temp. relieving

\* Twist drain only.

**C**

Engineering Level	
C	Current

**Port Type**

Blank	NPT
1	BSPP
2	BSPT

**Preset / Pressure Limited**

Blank	None
XXX*	Preset pressure
XXX*	Pressure limited

\* Available preset / pressure limited range, 10 to 90 psig in 5 psig increments. For higher pressures, contact factory.  
(Example: 065 = 65 psig)

Spring Type by Preset / Limited Pressure:

- For Preset / Limited Pressure 10 to 25 use 30 psi spring
- For Preset / Limited Pressure 26 to 50 use 60 psi spring
- For Preset / Limited Pressure 51 to 90 use 125 psi spring

\* Not available with BSPP or BSPT port types.

† Inlet pressure is 100 psig. For other pressures contact factory.

Most popular.



For inventory, lead times, and kit lookup, visit [www.pdnplu.com](http://www.pdnplu.com)



## Miniature Filter / Regulators

### Material Specifications

Adjusting nut	Brass
Adjusting stem & spring	Steel
Body	Zinc
Bonnet, knob, seat, piston, holder & deflector	Plastic
Transparent bowl	Polycarbonate
Metal bowl (without sight gauge)	Zinc
Twist drain, body & stem	Plastic
Twist drain, seals	Nitrile
Auto pulse drain, piston & seals	Nitrile
Auto pulse drain, stem, seat, adaptor & washers	Aluminum
5 Micron elements (standard)	Plastic
40 Micron elements (optional)	Plastic
Adsorber elements (optional)	Activated charcoal
Seals	Nitrile

### Repair and Service Kits

Bonnet tamperproof kit	<b>P01265</b>
Poly bowl / auto drain	<b>PS408BP</b>
Poly bowl / twist drain	<b>PS404P</b>
Metal bowl / auto drain	<b>PS451BP</b>
Metal bowl / twist drain	<b>PS447BP</b>
40 micron element	<b>PS401P</b>
5 micron element	<b>PS403P</b>
Adsorber element	<b>PS452P</b>
30 psig (0 to 2.1 bar), gauge	<b>K4515N18030</b>
60 psig (0 to 4.1 bar)	<b>K4515N18060</b>
160 psig (0 to 11.0 bar) element	<b>K4515N18160</b>
Mounting bracket kit* (includes panel mount nut)	<b>PS417BP</b>
Panel mount nut*	<b>P78652</b>
Unbalanced, non-relieving	<b>PS428P</b>
Unbalanced, relieving	<b>PS426P</b>
1- 15 psig spring (yellow)	<b>P01176</b>
1- 30 psig spring (black)	<b>P01175</b>
1- 60 psig spring (white)	<b>P01174</b>
2- 125 psig spring (gold)	<b>P01173</b>

\*Tighten panel mount nut 2.8 to 3.4 Nm (25 to 30 in-lbs) of torque.

### WARNING

**Product rupture can cause serious injury.  
Do not connect regulator to bottled gas.  
Do not exceed Maximum primary pressure rating.**

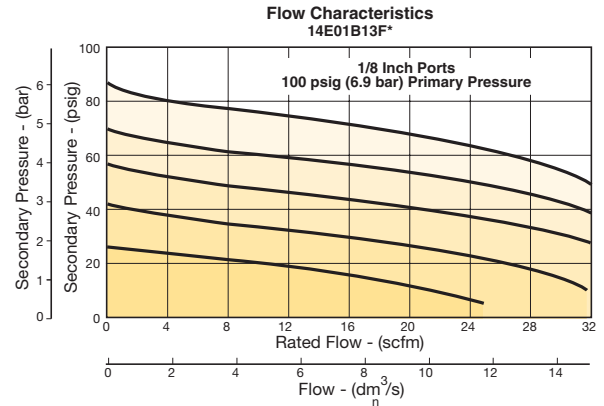
### CAUTION:

**REGULATOR PRESSURE ADJUSTMENT** – The working range of knob adjustment is designed to permit outlet pressures within their full range. Pressure adjustment beyond this range is also possible because the knob is not a limiting device. This is a common characteristic of most industrial regulators, and limiting devices may be obtained only by special design. For best performance, regulated pressure should always be set by increasing the pressure up to the desired setting.

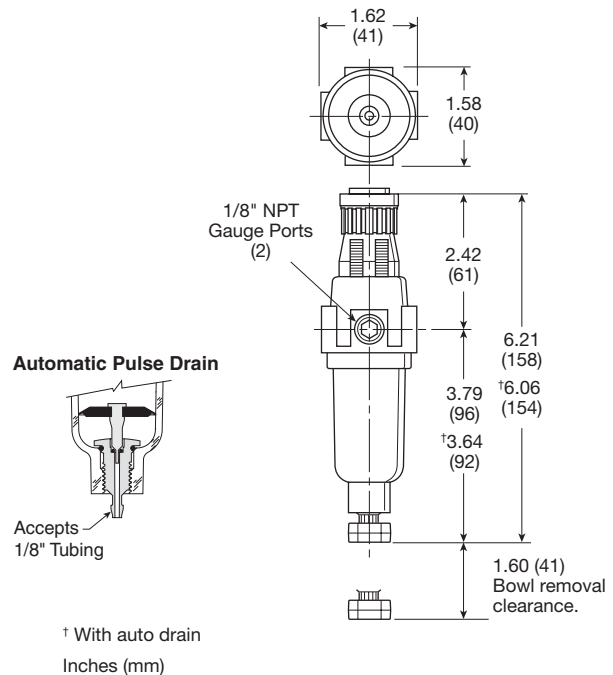
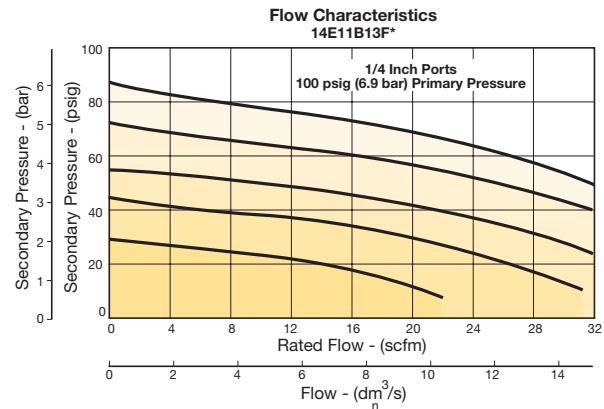
## Air Preparation Products Miniature / Inline

### Flow Charts

#### 14E 1/8" Filter / Regulator



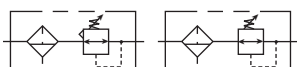
#### 14E 1/4" Filter / Regulator



For inventory, lead time, and kit lookup, visit [www.pdnplu.com](http://www.pdnplu.com)

**05E Filter / Regulator – Economy**

- Space saving package offers both filter and regulator features for optimal performance
- Excellent water removal efficiency
- Rolling diaphragm for extended life
- Removable non-rising knob for tamper resistance
- Quick response, and accurate pressure regulation regardless of changing flow or inlet pressure
- 40 micron filter element standard
- 1/4", 3/8" ports (NPT)



Port size	Description ‡	Part number
1/4"	Poly bowl, metal guard, twist drain	<b>05E12A13AB</b>
1/4"	Poly bowl, metal guard, auto pulse drain	<b>05E1PA13AB</b>
3/8"	Poly bowl, metal guard, twist drain	<b>05E22A13AB</b>
3/8"	Poly bowl, metal guard, auto pulse drain	<b>05E2PA13AB</b>

‡ For polycarbonate bowl, see caution in Engineering Section A.  
NOTE: 1.53 Dia. (39 mm) hole required for panel mounting.

**Operating information**

Supply pressure (max):		Plastic bowl	0 to 150 psig (0 to 10.3 bar)
		Metal bowl	0 to 250 psig (0 to 17.2 bar)
Operating temperature:		Plastic bowl	32°F to 125°F (0°C to 52°C)
		Metal bowl	32°F to 175°F (0°C to 80°C)
Flow capacity†:			
	High flow	1/4"	30 scfm (14.2 dm <sup>3</sup> /s, ANR)
		3/8"	40 scfm (18.9 dm <sup>3</sup> /s, ANR)
Bowl capacity:			2 oz.
Auto pulse drain tube barb:			1/8 inch
Gauge ports (2):			1/4 inch
Sump capacity:			0.9 oz.
Weight:			1.35 lb (0.6 kg)

† scfm = Standard cubic feet per minute at 100 psig inlet, 90 psig no flow secondary setting and 10 psig pressure drop.

**Ordering information:**

<b>05E</b>	<b>1</b>	<b>2</b>	<b>A</b>	<b>13</b>	<b>A</b>	<b>B</b>	
<b>Port Size</b>						<b>Engineering Level</b>	
1/4 inch	1					B	<b>Current</b>
3/8 inch	2						
<b>Bowl Options</b>						<b>Relief</b>	
Poly bowl, metal bowl guard, twist drain		2				A	<b>Relieving</b>
Poly bowl, metal bowl guard, auto pulse drain		P					
			<b>Element</b>				<b>Port Type</b>
			40 Micron				Blank
							NPT
					<b>Pressure Range</b>		
					Without gauge	With gauge*	
					11 60 psig	16 60 psig	
					13 125 psig	18 125 psig	

\* Includes 1-1/2" dial face gauge.

Most popular.



For inventory, lead times, and kit lookup, visit [www.pdnplu.com](http://www.pdnplu.com)

**Material Specifications**

Adjusting stem	Steel
Body	Zinc
Bonnet, internal parts	Plastic
Transparent bowl	Polycarbonate
Bowl guard	Steel
Collar	Plastic
Diaphragm	Nitrile
Drain	Plastic
40 micron element (standard)	Plastic
5 micron element (optional)	Plastic
Adsorber element (optional)	Activated charcoal
Knob	Plastic
Seals	Nitrile
Sight gauge	Polyamide (nylon)
Springs, poppet & control	Steel

**Repair and Service Kits**

Bowl guard kit	<b>PS905P</b>
Poly bowl, automatic pulse drain	<b>PS995P</b>
Poly bowl, twist drain	<b>PS932P</b>
Auto pulse drain	<b>PS998P</b>
Twist drain	<b>PS512P</b>
40 micron element	<b>PS901P</b>
5 micron element	<b>PS902P</b>
Adsorber element	<b>PS931P</b>
Sight gauge kit	<b>PS914P</b>
1-1/2" dial face 30 psig (0 to 2.1 bar), gauge	<b>K4515N14030</b>
1-1/2" dial face 60 psig (0 to 4.1 bar), gauge	<b>K4515N14060</b>
1-1/2" dial face 160 psig (0 to 11.0 bar), gauge	<b>K4515N14160</b>
1-1/2" dial face 300 psig (0 to 20.7 bar), gauge	<b>K4515N14300</b>
2" dial face 60 psig (0 to 4.1 bar), gauge	<b>K4520N14060</b>
2" dial face 160 psig (0 to 11.0 bar), gauge	<b>K4520N14160</b>
2" dial face 300 psig (0 to 20.7 bar), gauge	<b>K4520N14300</b>
Mounting bracket kit (includes panel mount nut)	<b>PS963P</b>
Panel mount nut – metal	<b>PS964P</b>
1-30 psig spring	<b>P04427</b>
1-60 psig spring	<b>P04426</b>
2-125 psig spring	<b>P04425</b>
2-200 psig spring	<b>P02934</b>
Relieving service kit	<b>PS908P</b>
Bonnet assembly kit	<b>PS915P</b>

**WARNING**

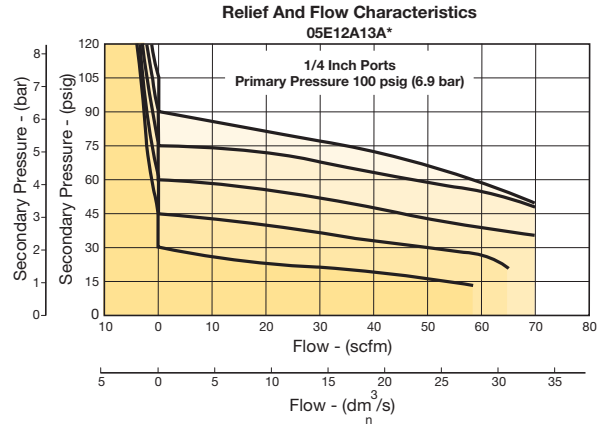
**Product rupture can cause serious injury. Do not connect regulator to bottled gas. Do not exceed Maximum primary pressure rating.**

**CAUTION:**

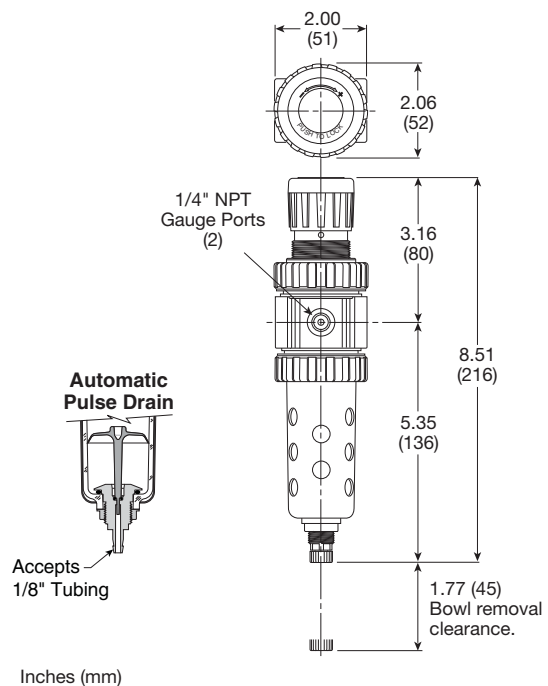
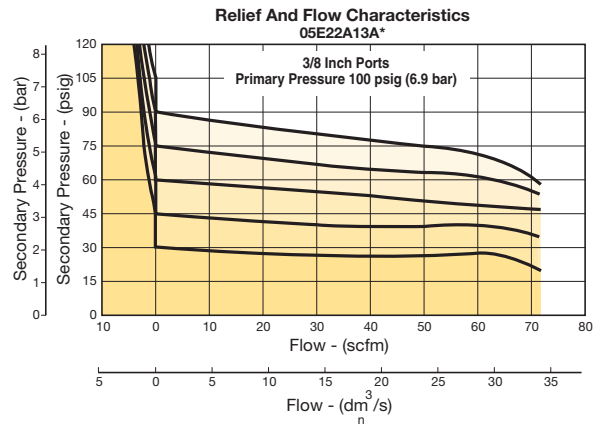
**REGULATOR PRESSURE ADJUSTMENT** – The working range of knob adjustment is designed to permit outlet pressures within their full range. Pressure adjustment beyond this range is also possible because the knob is not a limiting device. This is a common characteristic of most industrial regulators, and limiting devices may be obtained only by special design. For best performance, regulated pressure should always be set by increasing the pressure up to the desired setting.

**Flow Charts**

**05E 1/4" Filter / Regulator**



**05E 3/8" Filter / Regulator**



Filters  
Coalescers  
Regulators  
Filter / Regulators  
Lubricators  
Miniature / Inline Products



For inventory, lead time, and kit lookup, visit [www.pdnplu.com](http://www.pdnplu.com)

## 02L Lubricator – Miniature

- Extends the service life of air operated hand tools
- Reduces downtime of air operated equipment, saves money
- Small / lightweight
- Automatic lubrication with air tool operation
- Adjustable oil flow
- Corrosion resistant
- Full swivel outlet port
- Integral 1/4", 3/8" ports (NPT, BSPT)



### Application

In-Line Lubricators assure proper lubrication for small pneumatic hand tools. These in-line lubricators put the oil source right at the tool. Oil capacity is 1/4 oz. (1 ml), enough to last through an average 8-hour shift. This lubricator requires cyclical or intermittent airflow for proper operation, and consequently works best when installed at the tool inlet or on a short hose near the tool. The 02L cannot be filled under pressure.

### Operating information

Supply pressure (max):	200 psig (13.8 bar)	
Operating temperature:	32°F to 150°F (0°C to 65.6°C)	
Flow capacity†:		
High flow	1/4"	29 scfm (13.6 dm <sup>3</sup> /s, ANR)
	3/8"	30 scfm (14.2 dm <sup>3</sup> /s, ANR)
Oil capacity:	0.25 oz. (7.4 cm <sup>3</sup> )	
Weight:	0.2 lb (0.1 kg)	
† scfm = Standard cubic feet per minute at 90 psig inlet and 5 psig pressure drop.		

Port size	Description	Part number
1/4"	Female threads inlet / female threads outlet	<b>02LFB</b>
1/4"	Female threads inlet / male threads outlet	<b>02L1B</b>
3/8"	Female threads inlet / male threads outlet	<b>02L2B</b>

Most popular.



For inventory, lead times, and kit lookup, visit [www.pdnplu.com](http://www.pdnplu.com)

Filters  
 Coalescers  
 Regulators  
 Filter / Regulators  
 Lubricators  
 Miniature / Inline Products

# Miniature Mist Lubricators

## Material Specifications

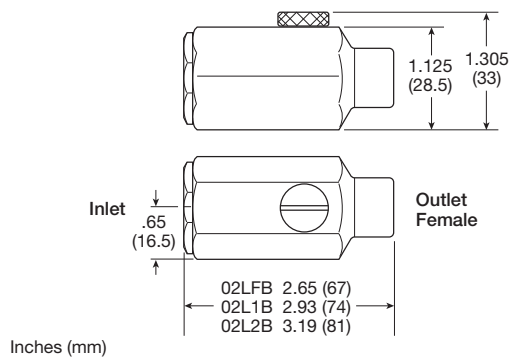
Body	Aluminum
Seals	Nitrile

### Suggested Lubricant .....F442 Oil

Petroleum based oil of 100 to 200 SUS viscosity at 100°F (38°C) and an aniline point greater than 200°F (93°C)  
 (DO NOT USE OILS WITH ADDITIVES, COMPOUNDED OILS CONTAINING SOLVENTS, GRAPHITE, DETERGENTS, OR SYNTHETIC OILS.)

## Replacement Kits

Fill plug kit, brass fill plug and o-ring	<b>PS434</b>
O-ring repair kit	<b>PS435</b>

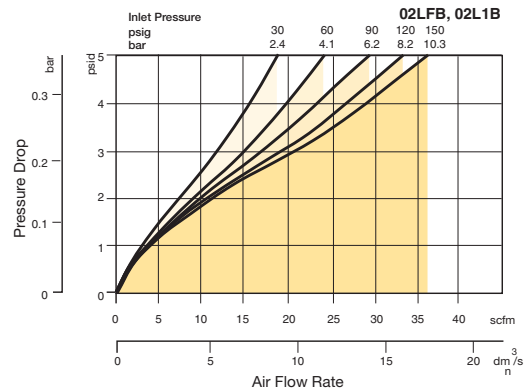


# Air Preparation Products

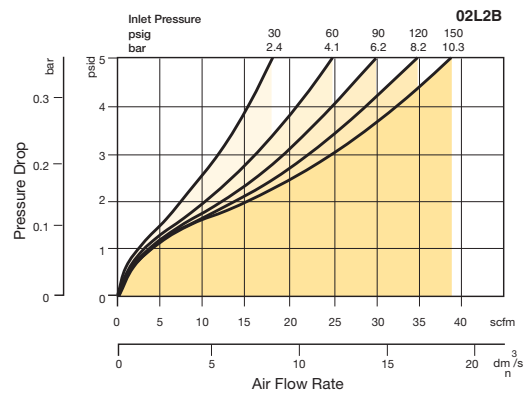
## Miniature / Inline

## Flow Charts

### 02L 1/4" In-Line Lubricator



### 02L 3/8" In-Line Lubricator



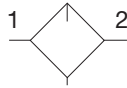
Filters
Coalescers
Regulators
Filter / Regulators
Lubricators
Miniature / Inline Products



For inventory, lead time, and kit lookup, visit [www.pdnplu.com](http://www.pdnplu.com)

## P31 Lubricators – Mini

- Integral 1/4" ports (NPT, BSPP & BSPT)
- Robust but lightweight aluminum construction
- Proportional oil delivery over a wide range of air flows
- Finger tip ratchet control for precise oil drip rate adjustment



Lubricator with drain

Port size	Description	Part number
1/4"	Poly bowl - No drain	<b>P31LB92LGNN</b>
1/4"	Metal bowl - No drain	<b>P31LB92LMNN</b>

### Operating information

Flow capacity\*:  
 1/4 40 scfm (19 dm<sup>3</sup>/s, ANR)

Operating temperature:  
 Plastic bowl 14°F to 125°F (-10°C to 52°C)  
 Metal bowl 14°F to 150°F (-10°C to 65.5°C)

Supply pressure (max):  
 Plastic bowl 150 psig (10 bar)  
 Metal bowl 250 psig (17 bar)

Bowl capacity: 0.6 US oz. (18 cm<sup>3</sup>)

Weight: 0.29 lb (0.13 kg)

\* Inlet pressure 91.3 psig (6.3 bar). Pressure drop 4.9 psig (0.34 bar).

### Ordering Information:

**P31LB 9 2 L G N N**

<b>Basic series</b> Global modular mini lubricator P31LB	<b>Thread type</b> BSPP 1 BSPT 2 NPT 9	<b>Port size</b> 1/4 2	<b>Lube type</b> Oil mist standard sight dome L	<b>Drain type</b> N No drain closed end	<b>Bowl type</b> G Poly bowl with bowl guard M Metal bowl without sight gauge	<b>Mounting</b> N No bracket
--	---	---------------------------	--	--	---	---------------------------------

### Suggested Lubricant .....F442 Oil

Petroleum based oil of 100 to 200 SUS viscosity at 100°F (38°C) and an aniline point greater than 200°F (93°C)  
 (DO NOT USE OILS WITH ADDITIVES, COMPOUNDED OILS CONTAINING SOLVENTS, GRAPHITE, DETERGENTS, OR SYNTHETIC OILS.)

Most popular.



For inventory, lead times, and kit lookup, visit [www.pdnplu.com](http://www.pdnplu.com)

## Mini Lubricators

### Material Specifications

Body	Aluminum
Body cap	ABS
Plastic bowl	Polycarbonate
Metal bowl	Aluminum
Seals	Nitrile
Sight dome	Polycarbonate
Suggested lubricant	ISO / ASTM VG32
Pick-up filter	Sintered bronze

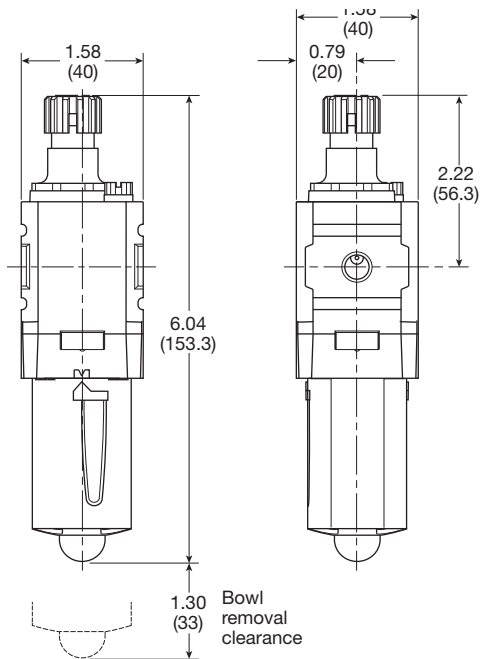
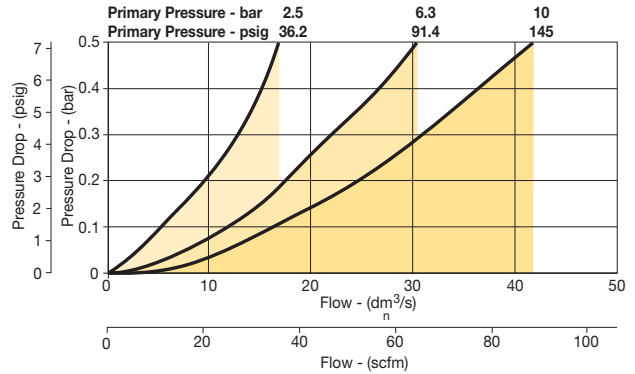
### Repair and Service Kits

Plastic bowl / bowl guard no drain	<b>P31KB00BGN</b>
Metal bowl / w/o sight gauge no drain	<b>P31KB00BMN</b>
Drip control assembly	<b>P32KA00PG</b>
Fill plug	<b>P31KA00PL</b>
C-bracket (fits to body)	<b>P31KA00MW</b>
T-bracket with body connector	<b>P31KA00MT</b>
Body connector	<b>P31KA00CB</b>
Oil (1 quart)	<b>F442001</b>
Oil (1 gallon)	<b>F442002</b>
Oil (12 quart case)	<b>F442003</b>
Oil (4 gallon case)	<b>F442005</b>

## Air Preparation Products Miniature / Inline

### Flow Charts

#### P31LB 1/4" Lubricator



Inches (mm)

Filters

Coalescers

Regulators

Filter /  
Regulators

Lubricators

Miniature / Inline  
Products



For inventory, lead time, and kit lookup, visit [www.pdnplu.com](http://www.pdnplu.com)

**04L Mist Lubricators – Miniature**

- Proportional oil delivery over a wide range of air flows
- Precision needle valve assures repeatable oil delivery and provides simple adjustment of delivery rate
- Ideal for low and high flow applications with changing air flow
- Transparent sight dome for 360° visibility
- Integral 1/8", 1/4" ports (NPT, BSPP, BSPT)



Port size	Description ‡	Part number
1/8"	Poly bowl, no drain	<b>04L00GB</b>
1/8"	Metal bowl, no gauge, twist drain	<b>04L03GB</b>
1/4"	Poly bowl, no drain	<b>04L10GB</b>
1/4"	Metal bowl, no gauge, twist drain	<b>04L13GB</b>

‡ For polycarbonate bowl and sight dome, see caution in Engineering Section A.

**Operating information**

Supply pressure (max):		
Plastic bowl		150 psig (10.3 bar)
Metal bowl		250 psig (17.2 bar)
Operating temperature:		
Plastic bowl		32°F to 125°F (0°C to 52°C)
Metal bowl		32°F to 175°F (0°C to 80°C)
Flow capacity†:		
High flow	1/8"	20 scfm (9.4 dm <sup>3</sup> /s, ANR)
	1/4"	20 scfm (9.4 dm <sup>3</sup> /s, ANR)
Minimum flow		0.5 scfm (0.24 dm <sup>3</sup> /s, ANR) at 100 psig (6.9 bar)
Bowl capacity:		1 oz.
Weight:		0.4 lb (0.18 kg)

† scfm = Standard cubic feet per minute at 90 psig inlet and 5 psig pressure drop.

**Ordering information:**

<b>04L</b>	<b>1</b>	<b>0</b>	<b>G</b>	<b>B</b>	<b> </b>
<b>Port Size</b>	<b>1/8 inch</b>	<b>0</b>			<b>Port Type</b>
	<b>1/4 inch</b>	<b>1</b>			<b>Blank</b> NPT
					<b>1</b> BSPP
					<b>2</b> BSPT
					<b>Engineering Level</b>
				<b>B</b>	<b>Current</b>
					<b>Body</b>
			<b>G</b>		<b>No fill plug</b>

**Suggested Lubricant** .....F442 Oil

Petroleum based oil of 100 to 200 SUS viscosity at 100°F (38°C) and an aniline point greater than 200°F (93°C)  
(DO NOT USE OILS WITH ADDITIVES, COMPOUNDED OILS CONTAINING SOLVENTS, GRAPHITE, DETERGENTS, OR SYNTHETIC OILS.)

Most popular.



For inventory, lead times, and kit lookup, visit [www.pdnplu.com](http://www.pdnplu.com)



## Miniature Mist Lubricators

### Material Specifications

Body	Zinc
Transparent bowls	Polycarbonate
Metal bowl (without sight gauge)	Zinc
Drains, twist – body & nut	Plastic
Seals	Nitrile
Sight dome	Polycarbonate

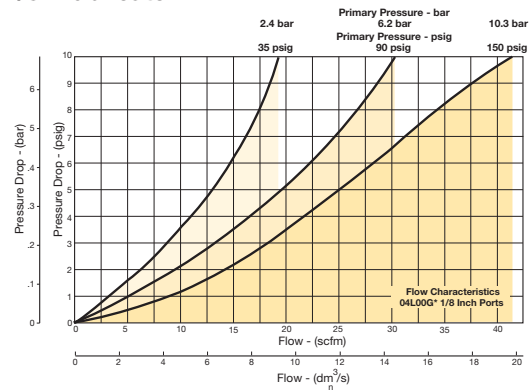
### Repair and Service Kits

Poly bowl / no drain kit	<b>PS421P</b>
Poly bowl / twist drain kit	<b>PS420P</b>
Metal bowl / twist drain (no sight gauge) kit	<b>PS447BP</b>
Mounting bracket kit	<b>PS419</b>
Oil (1 quart)	<b>F442001</b>
Oil (1 gallon)	<b>F442002</b>
Oil (12 quart case)	<b>F442003</b>
Oil (4 gallon case)	<b>F442005</b>

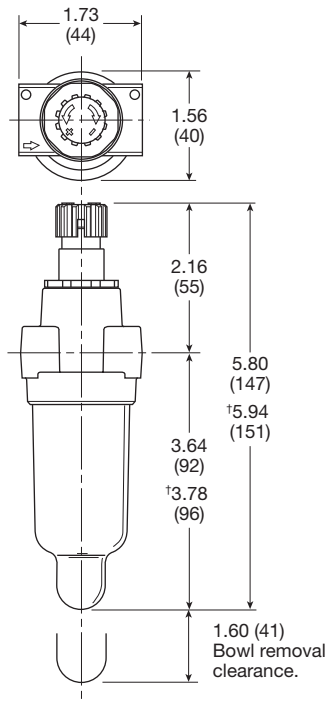
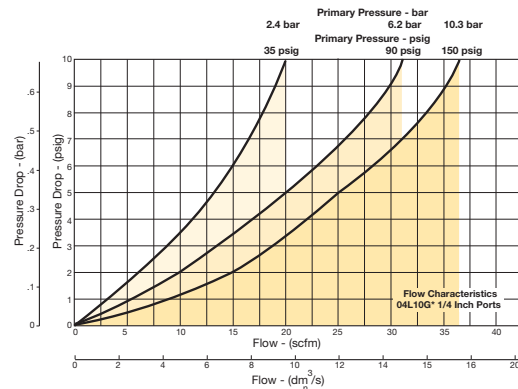
## Air Preparation Products Miniature / Inline

### Flow Charts

#### 04L 1/8" Lubricator



#### 04L 1/4" Lubricator



Inches (mm)

Filters

Coalescers

Regulators

Filter /  
Regulators

Lubricators

Miniature / Inline  
Products



For inventory, lead time, and kit lookup, visit [www.pdnplu.com](http://www.pdnplu.com)

Miniature / Inline  
Products



For inventory, lead times, and kit lookup, visit [www.pdnplu.com](http://www.pdnplu.com)

J44

**Parker Hannifin Corporation**  
Pneumatic Division  
Richland, Michigan  
[www.parker.com/pneumatics](http://www.parker.com/pneumatics)



**Air Preparation Products**  
**Regulators Products**

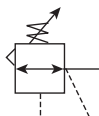
General	K2-K41
Dial	K42-K49
Pilot	K50-K63
Proportional	K64-K89
Precision	K90-K103
Water	K104-K109



For inventory, lead time, and kit lookup, visit [www.pdnplu.com](http://www.pdnplu.com)

**14R Regulators – Miniature**

- Unbalanced poppet standard
- Solid control piston with lip seal for extended life
- Non-rising adjusting knob
- Compact design
- Very easy to service
- 1/8", 1/4" ports (NPT, BSPP, BSPT)



Port size	Description	Part number
1/8"	Without gauge	<b>14R013FC</b>
1/8"	With gauge	<b>14R018FC</b>
1/4"	Without gauge	<b>14R113FC</b>
1/4"	With gauge	<b>14R118FC</b>

NOTE: 1.218 Dia. (31 mm) hole required for panel mounting.

**Operating information**

Supply pressure (max):	0 to 300 psig (0 to 20.7 bar)
Secondary pressure ranges	
Standard	2 to 125 psig (0 to 8.6 bar)
Medium	1 to 60 psig (0 to 4.1 bar)
Medium	1 to 30 psig (0 to 2.1 bar)
Low	1 to 15 psig (0 to 1 bar)
Operating temperature:	32°F to 125°F (0°C to 52°C)
Low temperature	-4°F to 125°F (-20°C to 52°C)
Flow capacity†:	
High flow	1/8" 13 scfm (6.1 dm³/s, ANR)
1/4"	15 scfm (7.1 dm³/s, ANR)
Gauge ports (2):	1/8 or 1/4 inch
Weight:	0.3 lb (0.14 kg)

† scfm = Standard cubic feet per minute at 100 psig inlet, 90 psig no flow secondary setting and 10 psig pressure drop.

**Ordering information:**

**14R 1 13 F C**

Port Size		Port Type		Preset / Pressure Limited	
1/8 inch pipe, 1/8 inch gauge port	0	Blank	NPT	Blank	None
1/4 inch pipe, 1/8 inch gauge port	1	1	BSPP	XXX*	Preset pressure
1/4 inch pipe, 1/4 inch gauge port	B	2	BSPT	XXX*	Pressure limited
1/8 inch pipe, no gauge port	C				
Manifold mounting	M				

Engineering Level	
C	Current

Pressure Range			
Yellow Knob		Black Knob	
Without gauge			
30 psig	10	30 psig	B0
60 psig	11	60 psig	B1
15 psig	12	15 psig	B2
125 psig	13	125 psig	B3
With gauge*			
30 psig	15	30 psig	B5
60 psig	16	60 psig	B6
15 psig	17	15 psig	B7
125 psig	18	125 psig	B8

Relief	
F	Relieving
G	Non-relieving
H	Low temp. relieving
J	Low temp. non-relieving

Options	
Blank	No options
L†	Preset non-adjustable
P†	Preset adjustable
S†	Pressure limiter max. adjustable
T†	Pressure limiter max. non-adjustable

\* Available preset / pressure limited range, 10 to 90 psig in 5 psig increments. For higher pressures, contact factory.  
(Example: 065 = 65 psig)

† Inlet pressure is 100 psig. For other pressures contact factory.

Spring Type by Preset / Limited Pressure:  
 For Preset / Limited Pressure 10 to 25 use 30 psi spring  
 For Preset / Limited Pressure 26 to 50 use 60 psi spring  
 For Preset / Limited Pressure 51 to 90 use 125 PSI Spring

Most popular.



For inventory, lead times, and kit lookup, visit [www.pdnplu.com](http://www.pdnplu.com)

**Miniature Regulators**

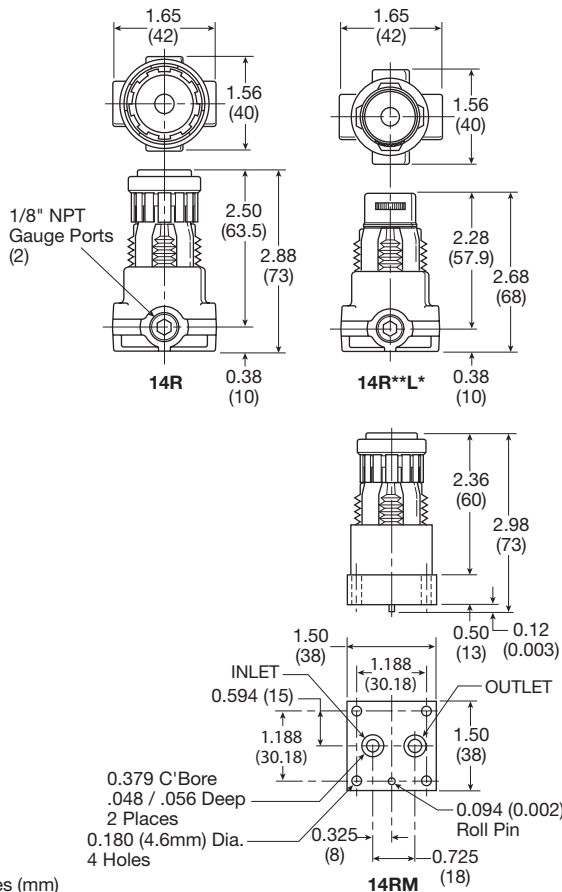
**Material Specifications**

Adjusting nut	Brass
Adjusting stem & spring	Steel
Body	Zinc
Bonnet, seat, piston & valve poppet	Plastic
Seals	Nitrile

**Repair and Service Kits**

Bonnet assembly kit	<b>L01369</b>
Bonnet tamperproof kit	<b>P01265</b>
30 psig gauge, 1/8" NPT (0 to 2.1 bar)	<b>K4515N18030</b>
60 psig gauge, 1/8" NPT (0 to 4.1 bar)	<b>K4515N18060</b>
160 psig gauge, 1/8" NPT (0 to 11.0 bar)	<b>K4515N18160</b>
60 psig gauge, 1/4" NPT (0 to 4.1 bar)	<b>K4520N14060</b>
160 psig gauge, 1/4" NPT (0 to 11.0 bar)	<b>K4520N14160</b>
Mounting bracket kit* (includes panel mount nut)	<b>PS417BP</b>
Plastic panel mount nuts*	<b>P78652</b>
Metal panel mount nuts*	<b>P01531</b>
Unbalanced non-relieving, poppet / piston kit	<b>PS428P</b>
Unbalanced relieving, poppet / piston kit	<b>PS426P</b>
1-15 psig spring (yellow)	<b>P01176</b>
1-30 psig spring (black)	<b>P01175</b>
1-60 psig spring (white)	<b>P01174</b>
2-125 psig spring (gold)	<b>P01173</b>

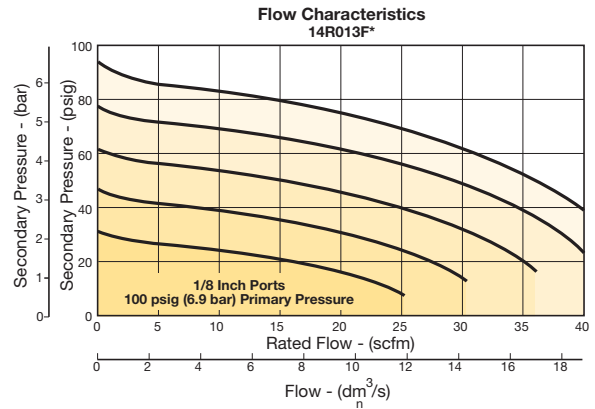
\* Tighten panel mount nut 2.8 to 3.4 Nm (25 to 30 in-lbs) of torque.



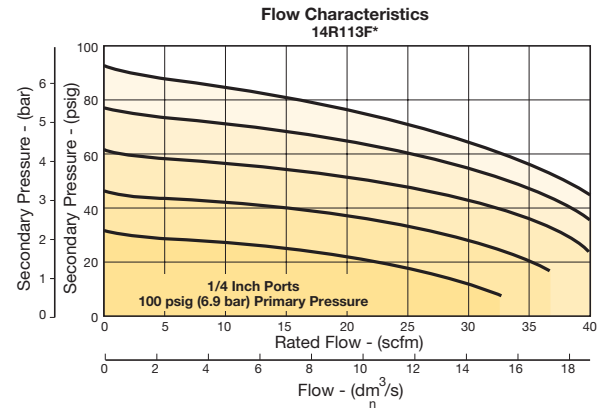
Inches (mm)

**Flow Charts**

**1/8" Ports**



**1/4" Ports**



**⚠ WARNING**

**Product rupture can cause serious injury.  
Do not connect regulator to bottled gas.  
Do not exceed Maximum primary pressure rating.**

**CAUTION:**

**REGULATOR PRESSURE ADJUSTMENT** – The working range of knob adjustment is designed to permit outlet pressures within their full range. Pressure adjustment beyond this range is also possible because the knob is not a limiting device. This is a common characteristic of most industrial regulators, and limiting devices may be obtained only by special design. For best performance, regulated pressure should always be set by increasing the pressure up to the desired setting.



For inventory, lead time, and kit lookup, visit [www.pdnplu.com](http://www.pdnplu.com)

General

Dial

Pilot

Proportional

Precision

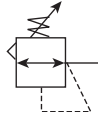
Water

**K**

Regulator Products

## P3A-R Regulators – Miniature

- Lightweight plastic body
- Non-rising adjusting knob
- Solid control piston with lip seal for extended life
- Unbalanced poppet standard
- Two full flow 1/8" gauge ports
- Reverse flow capability
- 1/8", 1/4" ports (NPT)



Port size	Description	Part number
1/8"	Without gauge	<b>P3A-RN91YNNN</b>
1/8"	With gauge	<b>P3A-RN91YGNN</b>
1/4"	Without gauge	<b>P3A-RN92YNNN</b>
1/4"	With gauge	<b>P3A-RN92YGNN</b>

NOTE: 1.218 Dia. (31 mm) hole required for panel mounting.

### Operating information

Supply pressure (max):	120 psig (8.3 bar)	
Secondary pressure:	1 to 15 psig (0.07 to 1.0 bar)	
15 psig spring	6 to 30 psig (0.4 to 2.1 bar)	
30 psig spring	6 to 60 psig (0.4 to 4.1 bar)	
60 psig spring	6 to 110 psig (0.4 to 7.6 bar)	
110 psig spring		
Operating temperature:	32°F to 125°F (0°C to 52°C)	
Flow capacity†:		
High flow	1/8"	13 scfm (6.1 dm³/s, ANR)
	1/4"	15 scfm (7.1 dm³/s, ANR)
Gauge ports (2):	1/8 inch	
Weight:	0.3 lb (0.14 kg)	

† scfm = Standard cubic feet per minute at 100 psig inlet, 90 psig no flow secondary setting and 10 psig pressure drop.

### Ordering information:

**P3A-RN** **9** **1** **Y** **N** **N** **N**

Port Type	Port Size	Relief	Pressure / Gauge	Option	Preset / Pressure Limited
NPT Female	1/8 inch	Non-relieving, black knob	Without gauge	N	Blank
	1/4 inch	Relieving, black knob	15 psig (0 to 1 bar)	L†	XXX*
		Non-relieving, yellow knob	30 psig (0 to 2 bar)	P†	XXX*
		Relieving, yellow knob	60 psig (0 to 4 bar)	S†	XXX*
			120 psig (0 to 8 bar)	T†	
			With gauge		None
			15 psig (0 to 1 bar)		None
			30 psig (0 to 2 bar)		None
			60 psig (0 to 4 bar)		None
			120 psig (0 to 8 bar)		None

\* Available preset / pressure limited range, 10 to 90 psig in 5 psig increments. For higher pressures, contact factory. (Example: 065 = 65 psig)

† Inlet pressure is 100 psig. For other pressures contact factory.

Most popular.



For inventory, lead times, and kit lookup, visit [www.pdnplu.com](http://www.pdnplu.com)

K4

**Parker Hannifin Corporation**  
 Pneumatic Division  
 Richland, Michigan  
[www.parker.com/pneumatics](http://www.parker.com/pneumatics)

## Miniature Regulators

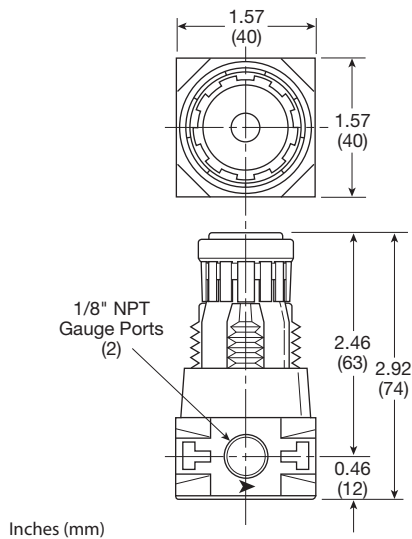
### Material Specifications

Adjusting nut	Brass
Adjusting stem & spring	Steel
Poppet return spring	Stainless Steel
Body	Plastic
Bonnet, seat & piston	Plastic
Seals	Nitrile
Valve poppet	Plastic & nitrile

### Repair and Service Kits

30 psig gauge, 1/8" NPT (0 to 2.1 bar)	<b>K4515N18030</b>
60 psig gauge, 1/8" NPT (0 to 4.1 bar)	<b>K4515N18060</b>
160 psig gauge, 1/8" NPT (0 to 11.0 bar)	<b>K4515N18160</b>
Mounting bracket kit* (includes panel mount nut)	<b>PS417BP</b>
Panel mount nut*	<b>P78652</b>
Unbalanced non-relieving, poppet / piston kit	<b>PS428P</b>
Unbalanced relieving, poppet / piston kit	<b>PS426P</b>
1-15 psig Spring (yellow)	<b>P01176</b>
1-30 psig spring (black)	<b>P01175</b>
1-60 psig spring (white)	<b>P01174</b>
5-110 psig spring (gold)	<b>P01173</b>

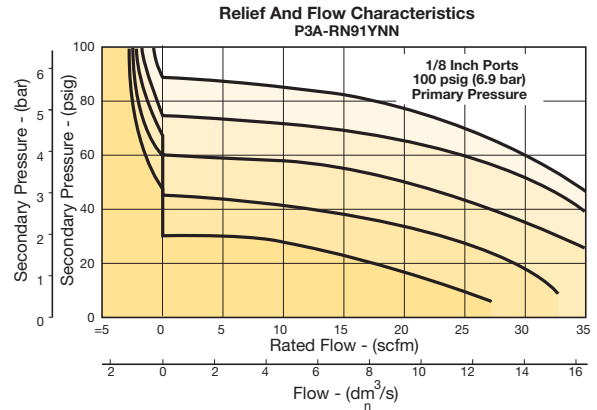
\* Tighten panel mount nut 2.8 to 3.4 Nm (25 to 30 in-lbs) of torque.



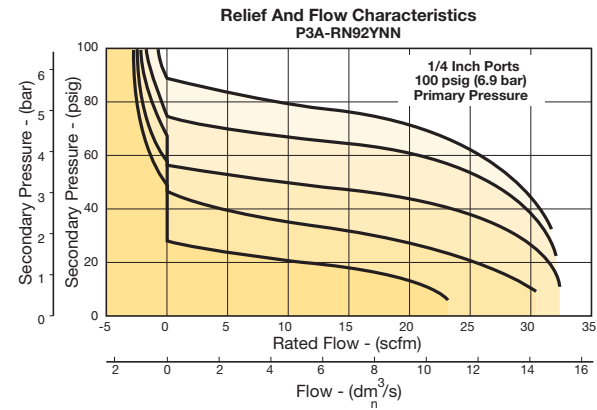
## Air Preparation Products Regulator Products

### Flow Charts

#### 1/8" port



#### 1/4" port



### WARNING

Product rupture can cause serious injury.  
Do not connect regulator to bottled gas.  
Do not exceed Maximum primary pressure rating.

### CAUTION:

**REGULATOR PRESSURE ADJUSTMENT** – The working range of knob adjustment is designed to permit outlet pressures within their full range. Pressure adjustment beyond this range is also possible because the knob is not a limiting device. This is a common characteristic of most industrial regulators, and limiting devices may be obtained only by special design. For best performance, regulated pressure should always be set by increasing the pressure up to the desired setting.

General

Dial

Pilot

Proportional

Precision

Water

K

Regulator Products



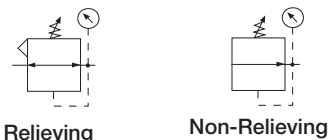
For inventory, lead time, and kit lookup, visit [www.pdnplu.com](http://www.pdnplu.com)

K5

Parker Hannifin Corporation  
Pneumatic Division  
Richland, Michigan  
[www.parker.com/pneumatics](http://www.parker.com/pneumatics)

**R34 Regulators – Miniature**

- Diaphragm operated for fast response
- Large diaphragm to valve area ratio for precise regulation and high flow capacity
- Balanced valve design for precise regulation
- Available in 2 or 4 port design
- Available with a manifold mount to minimize plumbing
- Suitable for low temperature applications
- Non-rising adjusting knob
- 1/8", 1/4" ports (NPT, BSPP)



R344-02C

R342-0MC

Port size	Description	Part number	
		Without gauge	With gauge
1/8"	Relieving, 0 to 30 psig	R344-01A	R344-01AG
1/8"	Relieving, 0 to 60 psig	R344-01B	R344-01BG
1/8"	Relieving, 0 to 125 psig	R344-01C	R344-01CG
1/4"	Relieving, 0 to 30 psig	R344-02A	R344-02AG
1/4"	Relieving, 0 to 60 psig	R344-02B	R344-02BG
1/4"	Relieving, 0 to 125 psig	R344-02C	R344-02CG
Manifold	Relieving, 0 to 30 psig	R342-0MA	-
Manifold	Relieving, 0 to 60 psig	R342-0MB	-
Manifold	Relieving, 0 to 125 psig	R342-0MC	-

**Operating information**

Supply pressure (max):	300 psig (0 to 20.7 bar)
Operating temperature:	-40°F to 150°F (-40°C to 65.5°C)
Flow capacity†:	
High flow	1/8" 17 scfm (8.0 dm³/s, ANR)
	1/4" 19 scfm (8.9 dm³/s, ANR)
Gauge ports (2):	1/8 inch (no gauge port version available)
Weight:	0.25 lb (0.11 kg)

† scfm = Standard cubic feet per minute at 100 psig inlet, 90 psig no flow secondary setting and 10 psig pressure drop.

**Ordering information:**

**R34 4 - 02 C G**

Number of Ports	
2 Ports	2
4 Ports	4*

\* Not available with manifold mount.

Thread	
NPT	-
BSPP	G

Port	
1/8 inch	01
1/4 inch	02
Manifold mount	0M

Pressure range	
0 to 30 psi	A
0 to 60 psi	B
0 to 125 psi	C

Preset	
Blank	None
XXX*	Preset pressure

\* Available preset / pressure limited range, 10 to 90 psig in 5 psig increments. For higher pressures, contact factory. (Example: 065 = 65 psig)

Options	
Blank	No options
L†	Preset non-adjustable
M†	Preset adjustable

† Inlet pressure is 100 psig. For other pressures contact factory.

Options	
Blank	No option
G	Gauge
K	Non-relieving diaphragm
N	Unbalanced
P	Panel mount nut
X64	Fluorocarbon elastomers

Most popular.



For inventory, lead times, and kit lookup, visit [www.pdnplu.com](http://www.pdnplu.com)



# Miniature Regulators

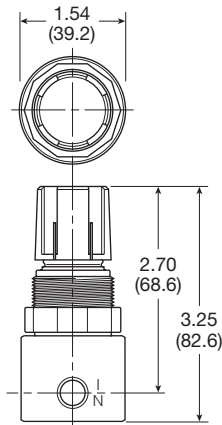
## Material Specifications

Body	Aluminum
Bonnet	Acetal
Diaphragm & seals	Nitrile
Valve assembly	Brass
Springs	Steel
Panel Nut	Acetal

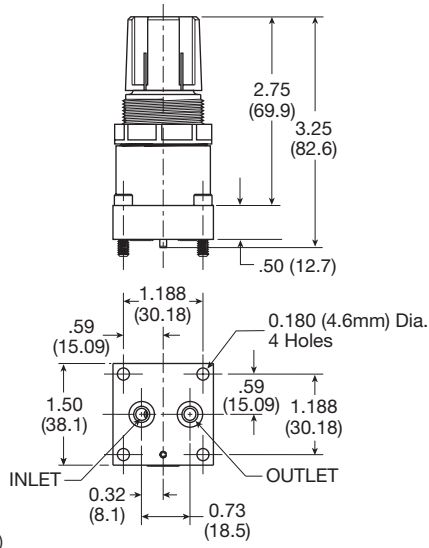
## Repair and Service Kits

Diaphragm assembly, non-relieving	<b>GRP-96-726</b>
Diaphragm assembly, relieving	<b>GRP-96-725</b>
0 to 30 psig (0 to 2.1 bar), spring, regulating	<b>GRP-95-111</b>
0 to 60 psig (0 to 4.1 bar) spring, regulating	<b>GRP-96-718</b>
0 to 125 psig (0 to 8.6 bar) spring, regulating	<b>GRP-96-717</b>
Panel mount nut, aluminum	<b>R05X51-A</b>
Panel mount nut, plastic	<b>R05X51-P</b>
Mounting bracket kit (includes panel mount nut)	<b>SA161X57</b>
1-1/2" Dial Face, 1/8 NPT, CBM, 0 to 60 psig (0 to 4.1 bar), gauge	<b>K4515N18060</b>
1-1/2" Dial Face, 1/8 NPT, CBM, 0 to 160 psig (0 to 11.0 bar), gauge	<b>K4515N18160</b>
Tamperproof knob kit	<b>P31KB00AT</b>

### R342 / R344



### R342-0MC

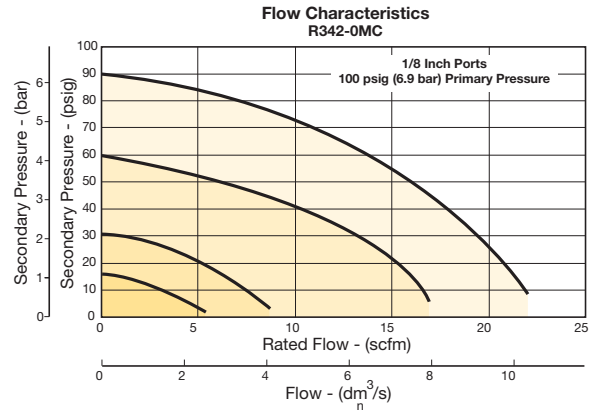


Inches (mm)

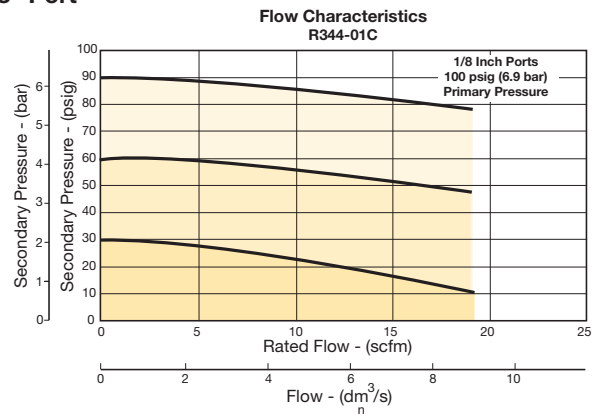
# Air Preparation Products Regulator Products

## Flow Charts

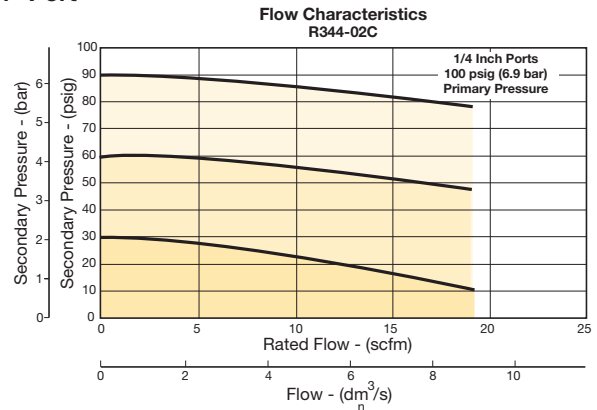
### 1/8" Manifold Mount



### 1/8" Port



### 1/4" Port



**WARNING**  
Product rupture can cause serious injury.  
Do not connect regulator to bottled gas.  
Do not exceed Maximum primary pressure rating.

### CAUTION:

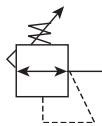
**REGULATOR PRESSURE ADJUSTMENT** – The working range of knob adjustment is designed to permit outlet pressures within their full range. Pressure adjustment beyond this range is also possible because the knob is not a limiting device. This is a common characteristic of most industrial regulators, and limiting devices may be obtained only by special design. For best performance, regulated pressure should always be set by increasing the pressure up to the desired setting.



For inventory, lead time, and kit lookup, visit [www.pdnplu.com](http://www.pdnplu.com)

**R25 Regulators – Miniature**

- Lightweight plastic body
- Unbalanced poppet standard
- Non-rising, push-to-lock adjusting knob
- Compact, 3.10 Inch (79 mm) high by 1.60 Inch (41 mm) wide
- Lightweight
- Diaphragm operated
- 1/8", 1/4" ports (NPT)



Port size	Description	Part number
1/8"	Relieving, 0-125 reduced pressure, without gauge	<b>R25-01C</b>
1/4"	Relieving, 0-125 reduced pressure, without gauge	<b>R25-02C</b>

NOTE: 1.250 Dia. (31.8 mm) hole required for panel mounting.

**Operating information**

Supply pressure (max):	Inlet 150 psig (10.0 bar)
Operating temperature:	40°F to 125°F (4°C to 52°C)
Gauge ports (2):	1/8 inch (can be used for full flow)
Weight:	0.25 lb (0.11 kg)

**Ordering information:**

**R25 - 02 C**

<b>Type</b>	<b>Relief</b>	<b>Pressure Range</b>
Buna Elastomers R25	Blank P Panel Mount Nut	A 0 to 25 psig (0 to 2 bar) B 0 to 60 psig (0 to 4 bar) C 0 to 125 psig (0 to 125 (0 to 8 bar)
<b>Port Size</b>		
1/8 inch 01 1/4 inch 02		

☐ Most popular.



For inventory, lead times, and kit lookup, visit [www.pdnplu.com](http://www.pdnplu.com)

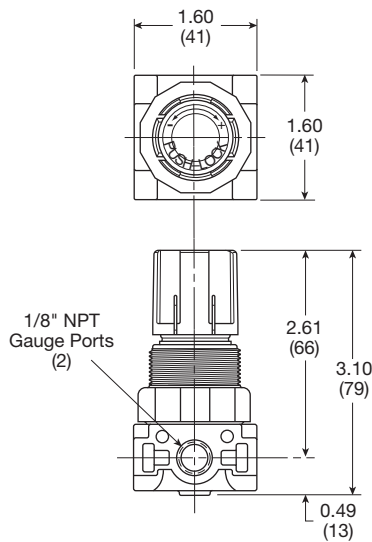
## Miniature Regulators

### Material Specifications

Adjusting screw	Steel
Body	Acetal
Bonnet and seat	Acetal
Diaphragm	Buna N
Seals	Buna N
Springs	Stainless steel
Valve poppet	Buna N

### Repair and Service Kits

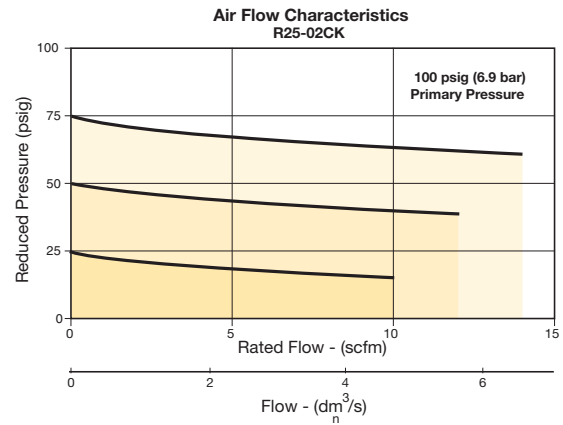
Panel mount nut, plastic	<b>R05X51-P</b>
Panel mount nut, aluminum	<b>R05X51-A</b>
Mounting bracket and nut	<b>SA161X57</b>
Relieving (Buna)	<b>RKR25Y</b>
Non-Relieving (Buna)	<b>RKR25KY</b>
0-25 psig spring	<b>SPR-375-1</b>
0-60 psig spring	<b>SPR-376</b>
0-125 psig spring	<b>SPR-377</b>



Inches (mm)

## Air Preparation Products Regulator Products

### Flow Charts



### WARNING

**Product rupture can cause serious injury. Do not connect regulator to bottled gas. Do not exceed Maximum primary pressure rating.**

### CAUTION:

**REGULATOR PRESSURE ADJUSTMENT** – The working range of knob adjustment is designed to permit outlet pressures within their full range. Pressure adjustment beyond this range is also possible because the knob is not a limiting device. This is a common characteristic of most industrial regulators, and limiting devices may be obtained only by special design. For best performance, regulated pressure should always be set by increasing the pressure up to the desired setting.



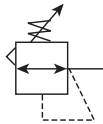
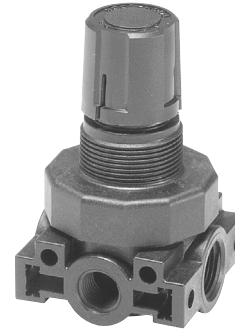
For inventory, lead time, and kit lookup, visit [www.pdnplu.com](http://www.pdnplu.com)

K9

**Parker Hannifin Corporation**  
Pneumatic Division  
Richland, Michigan  
[www.parker.com/pneumatics](http://www.parker.com/pneumatics)

**R45 Regulators – Miniature**

- Lightweight plastic body
- Unbalanced poppet standard
- Non-rising, push-to-lock adjusting knob
- Compact, 3.43 inch (87.1 mm) high by 2.06 inch (52.3 mm) wide
- Lightweight
- Diaphragm operated
- 1/4", 3/8" ports (NPT, BSPP)



**Operating information**

Supply pressure (max):	Inlet 150 psig (10.0 bar)
Operating temperature:	40°F to 125°F (4°C to 52°C)
Gauge ports (2):	1/4 inch (can be used for full flow)
Weight:	0.38 lb (0.17 kg)

Port size	Description	Part number
1/4"	Relieving, 0-125 reduced pressure, without gauge	<b>R45-02C</b>
3/8"	Relieving, 0-125 reduced pressure, without gauge	<b>R45-03C</b>

NOTE: 1.250 Dia. (31.8 mm) hole required for panel mounting.

**Ordering information:**

**R45 - 02 C**

<b>Type</b> Buna Elastomers	<b>R45</b>	<b>Port Size</b> 1/4 inch 02 3/8 inch 03	<b>Relief</b> Blank Relieving P Panel Mount Nut	<b>Pressure Range</b> A 0 to 25 psig (0 to 2 bar) B 0 to 60 psig (0 to 4 bar) C 0 to 125 psig (0 to 8 bar)
--------------------------------	------------	--	---	---

Most popular.



For inventory, lead times, and kit lookup, visit [www.pdnplu.com](http://www.pdnplu.com)

K10

**Parker Hannifin Corporation**  
Pneumatic Division  
Richland, Michigan  
[www.parker.com/pneumatics](http://www.parker.com/pneumatics)

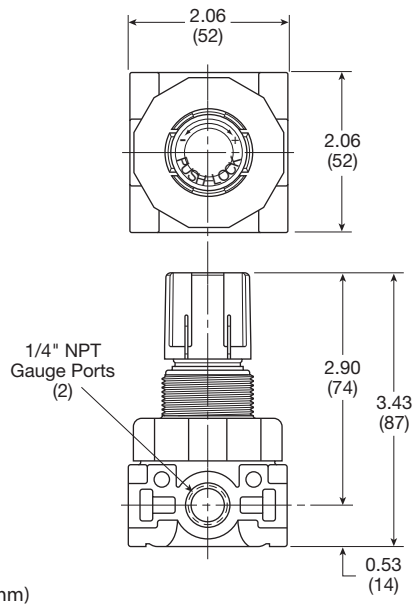
## Miniature Regulators

### Material Specifications

Adjusting screw	Steel
Body	Acetal
Bonnet and seat	Acetal
Diaphragm	Buna N
Seals	Buna N
Springs	Stainless steel
Valve Poppet	Buna N

### Repair and Service Kits

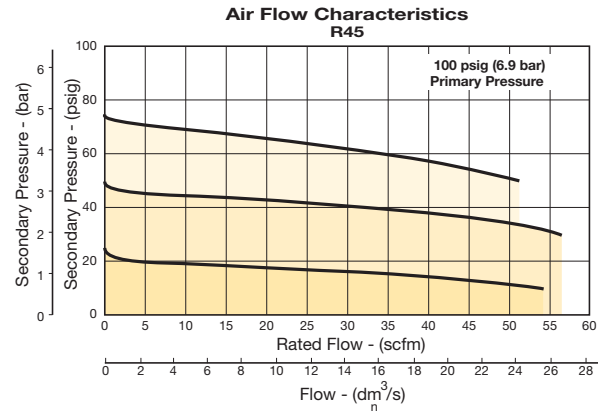
Panel mount nut, plastic	<b>R05X51</b>
Panel mount nut, aluminum	<b>R05X51-A</b>
Mounting bracket and nut	<b>SA161X57</b>
Relieving	<b>RKR45Y</b>
Non-Relieving	<b>RKR45KY</b>
0-25 psig spring	<b>SPR-46</b>
0-60 psig spring	<b>SPR-47</b>
0-125 psig spring	<b>SPR-48</b>



Inches (mm)

## Air Preparation Products Regulator Products

### Flow Charts



**⚠ WARNING**

**Product rupture can cause serious injury.  
Do not connect regulator to bottled gas.  
Do not exceed Maximum primary pressure rating.**

### CAUTION:

**REGULATOR PRESSURE ADJUSTMENT** – The working range of knob adjustment is designed to permit outlet pressures within their full range. Pressure adjustment beyond this range is also possible because the knob is not a limiting device. This is a common characteristic of most industrial regulators, and limiting devices may be obtained only by special design. For best performance, regulated pressure should always be set by increasing the pressure up to the desired setting.



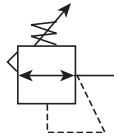
For inventory, lead time, and kit lookup, visit [www.pdnplu.com](http://www.pdnplu.com)

K11

**Parker Hannifin Corporation**  
Pneumatic Division  
Richland, Michigan  
[www.parker.com/pneumatics](http://www.parker.com/pneumatics)

## 15R Regulators – Economy

- Solid control piston with resilient seat for service-free operation
- Non-rising “locking” adjusting knob
- Compact, 3.30 inch (84 mm) high by 2.12 inch (54 mm) wide
- Easily serviced
- 1/4", 3/8" ports (NPT)



Port size	Description	Part number
1/4"	Without gauge	<b>15R113FB</b>
1/4"	With gauge	<b>15R118FB</b>
3/8"	Without gauge	<b>15R213FB</b>
3/8"	With gauge	<b>15R218FB</b>

NOTE: 1.218 Dia. (31 mm) hole required for panel mounting.

### Operating information

Supply pressure (max):	0 to 250 psig (0 to 17.2 bar)	
Secondary pressure ranges	Standard	2 to 125 psig (0 to 8.6 bar)
	Medium	1 to 60 psig (0 to 4.1 bar)
	Medium	1 to 30 psig (0 to 1.7 bar)
	Low	1 to 15 psig (0 to 1 bar)
Operating temperature:	32°F to 125°F (0°C to 52°C)	
	Low temperature	-4°F to 125°F (-20°C to 52°C)
Flow capacity†:	High flow	1/4" 21 scfm (9.9 dm³/s, ANR)
		3/8" 28 scfm (13.2 dm³/s, ANR)
Gauge ports (2):	1/4 inch	
	(can be used at full flow)	
Weight:	0.5 lb (0.23 kg)	

† scfm = Standard cubic feet per minute at 100 psig inlet, 90 psig no flow secondary setting and 10 psig pressure drop.

### Ordering information:

15R
1
13
F
B

<table border="1" style="width: 100%; border-collapse: collapse;"> <thead> <tr><th>Port Size</th><th></th></tr> </thead> <tbody> <tr><td>1/4 inch</td><td style="text-align: center;">1</td></tr> <tr><td>3/8 inch</td><td style="text-align: center;">2</td></tr> </tbody> </table>	Port Size		1/4 inch	1	3/8 inch	2	<table border="1" style="width: 100%; border-collapse: collapse;"> <thead> <tr><th>Pressure Range</th><th></th></tr> </thead> <tbody> <tr><td colspan="2" style="text-align: center;">Without gauge</td></tr> <tr><td>15 psig</td><td style="text-align: center;">12</td></tr> <tr><td>30 psig</td><td style="text-align: center;">10</td></tr> <tr><td>60 psig</td><td style="text-align: center;">11</td></tr> <tr><td>125 psig</td><td style="text-align: center;">13</td></tr> <tr><td colspan="2" style="text-align: center;">With gauge</td></tr> <tr><td>15 psig</td><td style="text-align: center;">17</td></tr> <tr><td>30 psig</td><td style="text-align: center;">15</td></tr> <tr><td>60 psig</td><td style="text-align: center;">16</td></tr> <tr><td>125 psig</td><td style="text-align: center;">18</td></tr> </tbody> </table>	Pressure Range		Without gauge		15 psig	12	30 psig	10	60 psig	11	125 psig	13	With gauge		15 psig	17	30 psig	15	60 psig	16	125 psig	18	<table border="1" style="width: 100%; border-collapse: collapse;"> <thead> <tr><th>Engineering Level</th><th></th></tr> </thead> <tbody> <tr><td>B</td><td style="text-align: center;">Current</td></tr> </tbody> </table>	Engineering Level		B	Current	<table border="1" style="width: 100%; border-collapse: collapse;"> <thead> <tr><th>Relief</th><th></th></tr> </thead> <tbody> <tr><td>F</td><td style="text-align: center;">Relieving</td></tr> <tr><td>G</td><td style="text-align: center;">Non-relieving</td></tr> <tr><td>H</td><td style="text-align: center;">Low temp relieving</td></tr> <tr><td>J</td><td style="text-align: center;">Low temp non-relieving</td></tr> </tbody> </table>	Relief		F	Relieving	G	Non-relieving	H	Low temp relieving	J	Low temp non-relieving
Port Size																																													
1/4 inch	1																																												
3/8 inch	2																																												
Pressure Range																																													
Without gauge																																													
15 psig	12																																												
30 psig	10																																												
60 psig	11																																												
125 psig	13																																												
With gauge																																													
15 psig	17																																												
30 psig	15																																												
60 psig	16																																												
125 psig	18																																												
Engineering Level																																													
B	Current																																												
Relief																																													
F	Relieving																																												
G	Non-relieving																																												
H	Low temp relieving																																												
J	Low temp non-relieving																																												

  Most popular.



For inventory, lead times, and kit lookup, visit [www.pdnplu.com](http://www.pdnplu.com)

K12

**Parker Hannifin Corporation**  
 Pneumatic Division  
 Richland, Michigan  
[www.parker.com/pneumatics](http://www.parker.com/pneumatics)

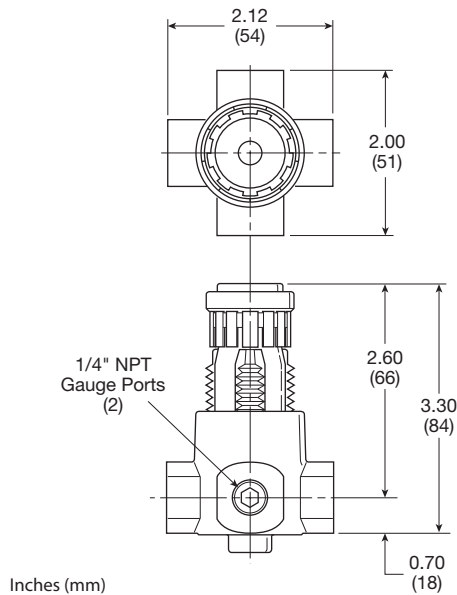
**Material Specifications**

Adjusting nut	Brass
Adjusting stem & spring	Steel
Body	Zinc
Bonnet, seat, piston & valve poppet	Plastic
Seals	Nitrile

**Repair and Service Kits**

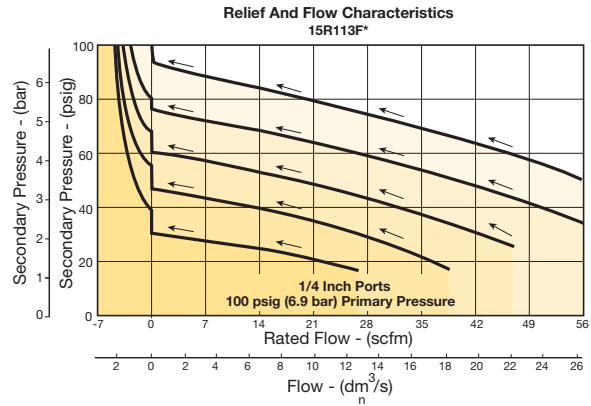
Body Service Kit – Unbalanced	<b>PS424BP</b>
Bonnet Assembly Kit	<b>L01369</b>
30 psig, 1/8" NPT (0 to 2.1 bar) gauge	<b>K4515N18030</b>
60 psig, 1/8" NPT (0 to 4.1 bar) gauge	<b>K4515N18060</b>
160 psig, 1/8" NPT (0 to 11.0 bar) gauge	<b>K4515N18160</b>
60 psig, 1/4" NPT (0 to 4.1 bar) gauge	<b>K4520N14060</b>
160 psig, 1/4" NPT (0 to 11.0 bar) gauge	<b>K4520N14160</b>
Mounting bracket kit* (Includes panel mount nut)	<b>PS417BP</b>
Panel mount nuts*, plastic	<b>P78652</b>
Panel mount nuts*, metal	<b>P01531</b>
Poppet / piston kit, unbalanced, non-relieving	<b>PS428P</b>
Poppet / piston kit, unbalanced, relieving	<b>PS426P</b>
Seal, unbalanced	<b>PS454B</b>
1-15 psig spring (yellow)	<b>P01176</b>
1-30 psig spring (black)	<b>P01175</b>
1-60 psig spring (white)	<b>P01174</b>
2-125 psig spring (gold)	<b>P01173</b>

\* Tighten panel mount nut 2.8 to 3.4 Nm (25 to 30 in-lbs) of torque.

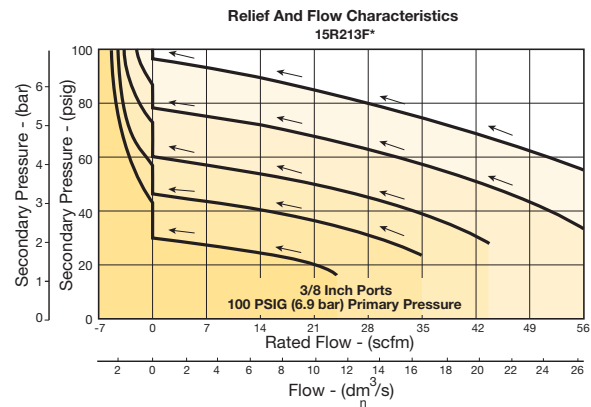


**Flow Charts**

**1/4" Regulator**



**3/8" Regulator**



**⚠ WARNING**

**Product rupture can cause serious injury.  
 Do not connect regulator to bottled gas.  
 Do not exceed Maximum primary pressure rating.**

**CAUTION:**  
**REGULATOR PRESSURE ADJUSTMENT** – The working range of knob adjustment is designed to permit outlet pressures within their full range. Pressure adjustment beyond this range is also possible because the knob is not a limiting device. This is a common characteristic of most industrial regulators, and limiting devices may be obtained only by special design. For best performance, regulated pressure should always be set by increasing the pressure up to the desired setting.



For inventory, lead time, and kit lookup, visit [www.pdnplu.com](http://www.pdnplu.com)

General

Dial

Pilot

Proportional

Precision

Water

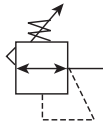
**K**

Regulator Products

**Semi-Precision Regulators**

**27R Regulators – Semi-Precision**

- Fine adjustment sensitivity
- Good repeatability and minimal pressure drop
- High flow capacity
- Two 1/4" gauge ports
- Brass Poppet for long life
- Modular with 05 Series FRL
- Non-rising, removable knob
- Multiple porting options
- 1/4", 3/8" ports (NPT, BSPP, BSPT)



Port size	Description	Part number
1/4"	15 psig	<b>27R112AD</b>
1/4"	30 psig	<b>27R110AD</b>
1/4"	60 psig	<b>27R114AD</b>
1/4"	125 psig	<b>27R113AD</b>

NOTE: 1.53 Dia. (39 mm) hole required for panel mounting. Max panel thickness 1/4"

**Operating information**

Bleed rate:	0.033 scfm (0.016 dm <sup>3</sup> /s, ANR)
Effect of supply variation:	0.5 psig (0.04 bar) for 25 psig (1.7 bar) change P <sup>1</sup>
Relief capacity:	0.5 scfm (0.24 dm <sup>3</sup> /s, ANR) @ 5 psig (0.4 bar) increase P <sup>2</sup>
Flow capacity <sup>†</sup> :	28 scfm (13.2 dm <sup>3</sup> /s, ANR) @ 100 psig (6.9 bar) P <sup>1</sup> and 20 psig (1.4 bar) P <sup>2</sup>
Inlet pressure (max):	250 psig (17.2 bar)
Temperature rating:	32°F to 175°F (0°C to 80°C)
Relief flow:	5.0 scfm (2.4 dm <sup>3</sup> /s, ANR)
Repeatability:	± .5 psig (±0.034 bar)
Response:	510 ms The valve will open to full flow and fill a volume of 100 in <sup>3</sup>
Gauge ports (2):	1/4 inch
Weight:	1.0 lb (0.45 kg)

<sup>†</sup> scfm = Standard cubic feet per minute at 150 psig inlet, 90 psig no flow secondary setting and 5 psig pressure drop.

**Ordering information:**

**27R 1 10 A D**

Port Size	1/4 inch: 1 3/8 inch: 2
Pressure Range	Without gauge 15 psig: 12 30 psig: 10 60 psig: 14 125 psig: 13
Engineering Level	Current: D
Port Type	NPT, Blank
Relief	Relieving: A

Most popular.



For inventory, lead times, and kit lookup, visit [www.pdnplu.com](http://www.pdnplu.com)



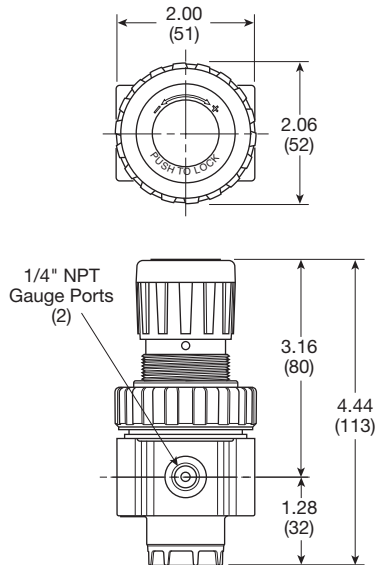
## Semi-Precision Regulators

### Material Specifications

Poppet	Brass
Bonnet	Plastic
Body	Zinc
Collar, knob	Plastic
Diaphragm	Nitrile
Bottom Cap	Plastic
Seals	Nitrile
Springs – poppet & control	Steel

### Repair and Service Kits

Bonnet assembly kit	<b>PS910P</b>
Control knob	<b>P0442001</b>
1-1/2" dial face 30 psig (0 to 2.1 bar), gauge	<b>K4515N14030</b>
1-1/2" dial face 60 psig (0 to 4.1 bar), gauge	<b>K4515N14060</b>
1-1/2" dial face 160 psig (0 to 11.0 bar), gauge	<b>K4515N14160</b>
1-1/2" dial face 300 psig (0 to 20.7 bar), gauge	<b>K4515N14300</b>
2" dial face 60 psig (0 to 4.1 bar), gauge	<b>K4520N14060</b>
2" dial face 160 psig (0 to 11.0 bar), gauge	<b>K4520N14160</b>
2" dial face 300 psig (0 to 20.7 bar), gauge	<b>K4520N14300</b>
Mounting bracket kit	<b>PS963P</b>
Panel mount nut, metal	<b>PS964P</b>
Service kit	<b>PS907P</b>
1-30 psig spring	<b>P04427</b>
1-15 psig spring	<b>P04428</b>
0-60 psig spring	<b>P04426</b>
2-125 psig spring	<b>P04425</b>



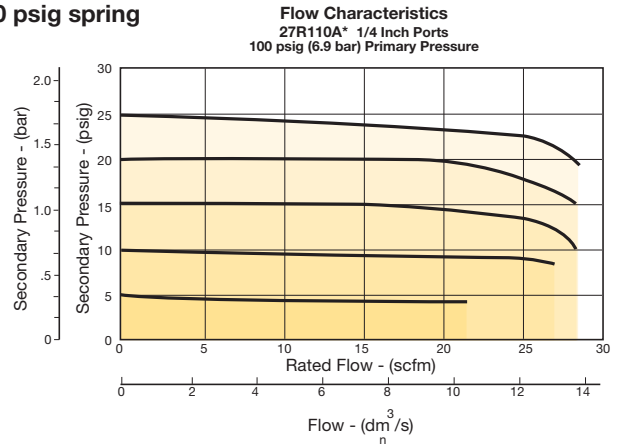
### WARNING

**Product rupture can cause serious injury. Do not connect regulator to bottled gas. Do not exceed Maximum primary pressure rating.**

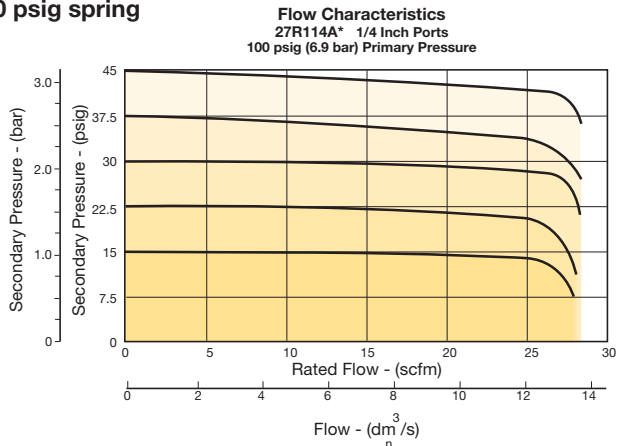
## Air Preparation Products Regulator Products

### Flow Charts

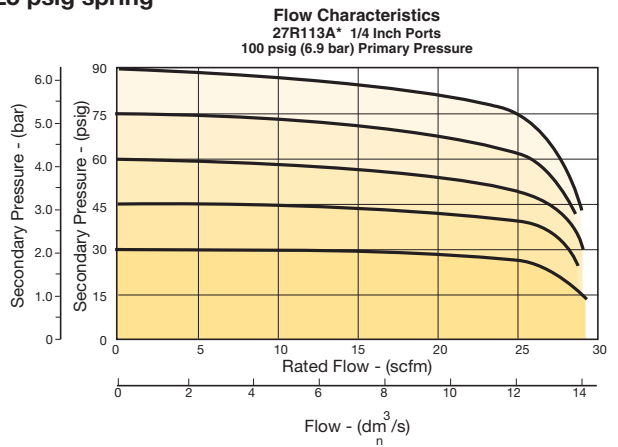
#### 1/4" Regulator 30 psig spring



#### 1/4" Regulator 60 psig spring



#### 1/4" Regulator 125 psig spring



### CAUTION:

**REGULATOR PRESSURE ADJUSTMENT** – The working range of knob adjustment is designed to permit outlet pressures within their full range. Pressure adjustment beyond this range is also possible because the knob is not a limiting device. This is a common characteristic of most industrial regulators, and limiting devices may be obtained only by special design. For best performance, regulated pressure should always be set by increasing the pressure up to the desired setting.



For inventory, lead time, and kit lookup, visit [www.pdnplu.com](http://www.pdnplu.com)

K15

General

Dial

Pilot

Proportional

Precision

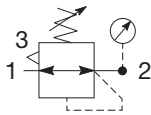
Water

**K**

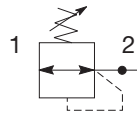
Regulator  
Products

## P31 Regulators – Mini

- Integral 1/4" ports (NPT, BSPP & BSPT)
- Robust but lightweight aluminum construction
- Secondary pressure ranges
- Secondary aspiration plus balanced poppet provides quick response and accurate pressure regulation.
- Relieving & non-relieving types
- Non-rising knob



Self relieving regulator with gauge



Non-relieving regulator

### Operating information

Flow capacity*:	1/4	68 scfm (32 dm <sup>3</sup> /s, ANR)
Operating temperature†:		-4°F to 150°F (-20°C to 65.5°C)
Supply pressure (max):		300 psig (20 bar)
Adjusting range pressure:		30 psig (0-2 bar) 60 psig (0-4 bar) 125 psig (0-8 bar) 232 psig (0-16 bar)
Gauge port (2 each)**:		1/8 BSPP, BSPT, NPT
Weight:		0.37 lb (0.17 kg)

\* Inlet pressure 145 psig (10 bar). Secondary pressure 91.3 psig (6.3 bar).

\*\* Non-gauge option only.

† Units with square gauges: 5°F to 150°F (-15°C to 65.5°C)

Port size	Description (relieving)	Gauge	Part number
1/4"	125 psig (8 bar)	None	<b>P31RB92BNNP</b>
1/4"	125 psig (8 bar)	Square	<b>P31RB92BN5P</b>

### Ordering Information:

**P31RB 9 2 B N 5 P**

**Basic series**

Global modular mini regulator

**P31RB**

**Thread type**

BSPP 1  
BSPT 2  
NPT 9

**Port size**

1/4 2

**Relief**

Relieving B  
Non-relieving N  
Reverse flow-relieving R

**Mounting**

P Plastic panel mount nut

**Adjustment**

N Non-rising knob

		Adjustment range	
		With square gauge	With round gauge
	psig	bar	
	1 = 30*	V = 2*	Z 30 psig; 2 bar; 0.2 MPa
	3 = 60	S = 4	M 60 psig; 4 bar; 0.4 MPa
	5 = 125	T = 8	G 125 psig; 8 bar; 0.8 MPa
			J 232 psig; 16 bar; 1.6 MPa
		Without gauge	
			Y 30 psig; 2 bar; 0.2 MPa
			L 60 psig; 4 bar; 0.4 MPa
			N 125 psig; 8 bar; 0.8 MPa
			H 232 psig; 16 bar; 1.6 MPa

\* Regulator comes with gauge respective to the adjustment range selected.

  Most popular.



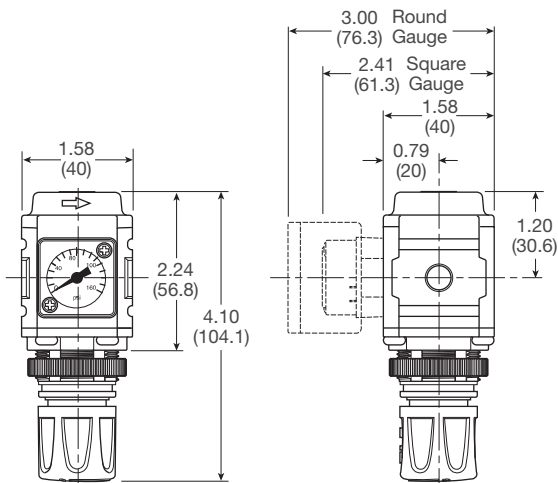
For inventory, lead times, and kit lookup, visit [www.pdnplu.com](http://www.pdnplu.com)

**Material Specifications**

Body	Aluminum
Adjustment knob	Acetal
Bonnet	PBT
Diaphragm assembly	Brass / Nitrile
Valve assembly	Brass / Nitrile
Springs	Steel
Seals	Nitrile
Panel nut	Acetal

**Repair and Service Kits**

Diaphragm repair kit - relieving	<b>P31KB00RB</b>
Diaphragm repair kit - non-relieving	<b>P31KB00RC</b>
Panel mount nut - aluminum	<b>P31KA00MM</b>
Panel mount nut - plastic	<b>P31KA00MP</b>
Angle bracket (attaches via panel nut)	<b>P31KB00MR</b>
C-bracket (fits to body)	<b>P31KA00MW</b>
T-bracket with body connector	<b>P31KA00MT</b>
Body connector	<b>P31KA00CB</b>

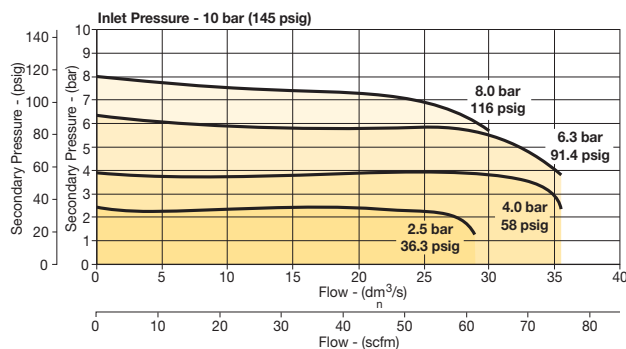


Inches (mm)

**NOTE:** 1.20 in. (30mm) hole required for panel nut mounting.

**Flow Charts**

**1/4 Regulator**



**⚠ WARNING**

**Product rupture can cause serious injury.  
 Do not connect regulator to bottled gas.  
 Do not exceed Maximum primary pressure rating.**

**CAUTION:**

**REGULATOR PRESSURE ADJUSTMENT** – The working range of knob adjustment is designed to permit outlet pressures within their full range. Pressure adjustment beyond this range is also possible because the knob is not a limiting device. This is a common characteristic of most industrial regulators, and limiting devices may be obtained only by special design. For best performance, regulated pressure should always be set by increasing the pressure up to the desired setting.

**Gauges**

<b>Square flush mount gauge</b>	0-4 bar	<b>K4511SCR04B</b>
	0-11 bar	<b>K4511SCR11B</b>
	0-60 psig	<b>K4511SCR060</b>
	0-160 psig	<b>K4511SCR160</b>
<b>Square with adapter kit</b>	0-4 bar	<b>P6G-PR10040</b>
	0-11 bar	<b>P6G-PR10110</b>
	0-60 psig	<b>P6G-PR90060</b>
<b>1.00" Round 1/8" center back mount</b>	0-60 psig / 0-4 bar	<b>K4510N18060</b>
	0-160 psig / 0-11 bar	<b>K4510N18160</b>
	<b>40mm Round 1/8" center back mount</b> (Not for use with common port regulators)	0-30 psig / 0-2 bar
0-60 psig / 0-4 bar		<b>K4515N18060</b>
0-160 psig / 0-11 bar		<b>K4515N18160</b>

For best performance, regulated pressure should always be set by increasing the pressure up to the desired setting.

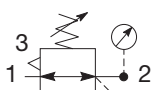
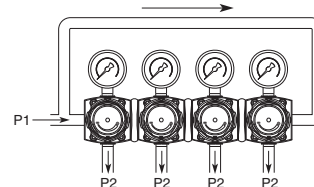
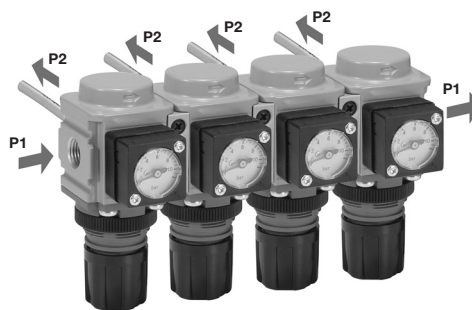
**General**  
**Dial**  
**Pilot**  
**Proportional**  
**Precision**  
**Water**  
**K**  
**Regulator Products**



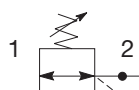
For inventory, lead time, and kit lookup, visit [www.pdnplu.com](http://www.pdnplu.com)

**P31 Common P1 Regulators – Mini**

- Manifold style regulator with line pressure on both sides
- Pressure output is at front or rear
- Inlet port 1/4" (NPT, BSPP & BSPT)
- Working port 1/8"
- Robust construction
- Secondary pressure ranges
- Secondary aspiration plus balanced poppet provides quick response and accurate pressure regulation
- Relieving & non-relieving types
- Non-rising knob



Self relieving regulator with gauge



Non-relieving regulator

**Operating information**

Flow capacity*:	1/4	42 scfm (20 dm³/s, ANR)
Operating temperature:		-4°F to 150°F (-20°C to 65.5°C)
Supply pressure (max):		300 psig (20 bar)
Adjusting range pressure:		30 psig (0-2 bar) 60 psig (0-4 bar) 125 psig (0-8 bar) 232 psig (0-16 bar)
P1 port size (inlet/outlet)		1/4 NPT, BSPP, BSPT
P2 regulated ports (2 ea.)		1/8 NPT, BSPP, BSPT
Weight:		0.66 lb (0.30 kg)

\* Inlet pressure 145 psig (10 bar). Secondary pressure 91.3 psig (6.3 bar).

Port size	Description (relieving)	Gauge	Part number
1/4"	125 psig (8 bar)	None	<b>P31HB92BNNP</b>
1/4"	125 psig (8 bar)	Square	<b>P31HB92BN5P</b>

**Ordering Information:**

**P31HB 9 2 B N 5 P**

<p><b>Basic series</b></p> <p>Global modular mini common regulator <b>P31HB</b></p>	<p><b>Thread type</b></p> <p>BSPP 1 BSPT 2 NPT 9</p>	<p><b>Port size †</b></p> <p>1/4 2</p> <p>† Working port 1/8".</p>	<p><b>Relief</b></p> <p>Relieving B Non-relieving N Reverse flow-relieving R</p>	<p><b>Mounting</b></p> <p>P Plastic panel mount nut</p>	<p><b>Adjustment</b></p> <p>N Non-rising knob</p>	<p><b>Adjustment range</b></p> <table border="1"> <thead> <tr> <th colspan="2">With square gauge</th> <th colspan="2">With round gauge</th> </tr> <tr> <th>psig</th> <th>bar</th> <th>Z</th> <th>M</th> </tr> </thead> <tbody> <tr> <td>1 = 30*</td> <td>V = 2*</td> <td>30 psig; 2 bar; 0.2 MPa</td> <td>60 psig; 4 bar; 0.4 MPa</td> </tr> <tr> <td>3 = 60</td> <td>S = 4</td> <td>125 psig; 8 bar; 0.8 MPa</td> <td>232 psig; 16 bar; 1.6 MPa</td> </tr> <tr> <td>5 = 125</td> <td>T = 8</td> <td></td> <td></td> </tr> </tbody> </table> <p>* Regulator comes with gauge respective to the adjustment range selected.</p>	With square gauge		With round gauge		psig	bar	Z	M	1 = 30*	V = 2*	30 psig; 2 bar; 0.2 MPa	60 psig; 4 bar; 0.4 MPa	3 = 60	S = 4	125 psig; 8 bar; 0.8 MPa	232 psig; 16 bar; 1.6 MPa	5 = 125	T = 8		
With square gauge		With round gauge																								
psig	bar	Z	M																							
1 = 30*	V = 2*	30 psig; 2 bar; 0.2 MPa	60 psig; 4 bar; 0.4 MPa																							
3 = 60	S = 4	125 psig; 8 bar; 0.8 MPa	232 psig; 16 bar; 1.6 MPa																							
5 = 125	T = 8																									

Most popular.



For inventory, lead times, and kit lookup, visit [www.pdnplu.com](http://www.pdnplu.com)

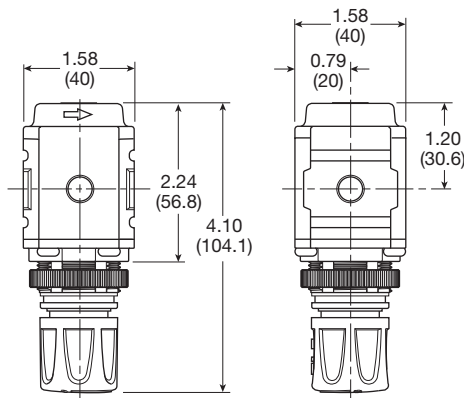
## Mini Common P1 Regulators

### Materials of Construction

Body	Aluminum
Adjustment knob	Acetal
Bonnet	Glass-filled PBT
Diaphragm assembly	Brass / Nitrile
Valve assembly	Brass / Nitrile

### Repair and Service Kits

Diaphragm repair kit - relieving	<b>P31KB00RB</b>
Diaphragm repair kit - non-relieving	<b>P31KB00RC</b>
Panel mount nut - aluminum	<b>P31KA00MM</b>
Panel mount nut - plastic	<b>P31KA00MP</b>
Angle bracket (attaches via panel nut)	<b>P31KB00MR</b>
T-bracket with body connector	<b>P31KA00MT</b>
Body connector	<b>P31KA00CB</b>



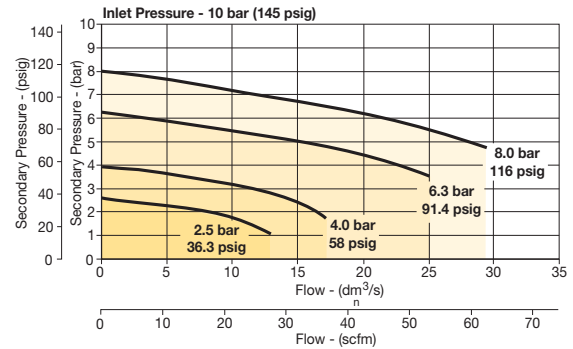
Inches (mm)

**NOTE:** 1.20 in. (30mm) hole required for panel nut mounting.

## Air Preparation Products Regulator Products

### Flow Charts

#### 1/4 Common Regulator



**⚠ WARNING**

**Product rupture can cause serious injury.  
Do not connect regulator to bottled gas.  
Do not exceed Maximum primary pressure rating.**

#### CAUTION:

**REGULATOR PRESSURE ADJUSTMENT** – The working range of knob adjustment is designed to permit outlet pressures within their full range. Pressure adjustment beyond this range is also possible because the knob is not a limiting device. This is a common characteristic of most industrial regulators, and limiting devices may be obtained only by special design. For best performance, regulated pressure should always be set by increasing the pressure up to the desired setting.

### Gauges

Square with adapter kit	0-4 bar	<b>P6G-PR10040</b>
	0-11 bar	<b>P6G-PR10110</b>
	0-60 psig	<b>P6G-PR90060</b>
	0-160 psig	<b>P6G-PR90160</b>
1.00" round 1/8" center back mount	0-60 psig / 0-4 bar	<b>K4510N18060</b>
	0-160 psig / 0-11 bar	<b>K4510N18160</b>

For best performance, regulated pressure should always be set by increasing the pressure up to the desired setting.

General

Dial

Pilot

Proportional

Precision

Water

**K**

Regulator Products

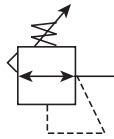
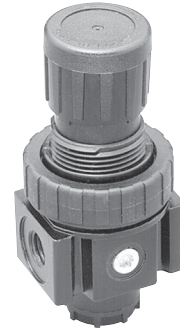


For inventory, lead time, and kit lookup, visit [www.pdnplu.com](http://www.pdnplu.com)

**Economy Regulators**

**05R Regulators – Economy**

- Secondary aspiration plus balanced poppet provides quick response and accurate pressure regulation.
- Rolling diaphragm for extended life.
- Removable non-rising knob for panel mounting and tamper resistance.
- Easily serviced.
- Reverse Flow.
- 1/4", 3/8" ports (NPT, BSPP)



Port size	Description	Part number
1/4"	Without gauge	<b>05R113A*</b>
1/4"	With 160 psi gauge	<b>05R118A*</b>
3/8"	Without gauge	<b>05R213A*</b>
3/8"	With 160 psi gauge	<b>05R218A*</b>

NOTE: 1.53 Dia. (39 mm) hole required for panel mounting.

**Operating information**

Supply pressure (max):	0 to 300 psig (0 to 20.7 bar)
For secondary pressure ranges see charts next page.	
Operating temperature:	32°F to 175°F (0°C to 80°C)
Low temperature	-4°F to 125°F (-20°C to 52°C)
Flow capacity <sup>†</sup> :	
High flow	1/4" 30 scfm (14.2 dm <sup>3</sup> /s, ANR)
	3/8" 40 scfm (18.9 dm <sup>3</sup> /s, ANR)
Gauge ports (2):	1/4 inch
Weight:	1.1 lb (0.49 kg)

<sup>†</sup> scfm = Standard cubic feet per minute at 100 psig inlet, 90 psig no flow secondary setting and 10 psig pressure drop.

**Ordering information:**

**05R**

Port Size
1/4 inch
3/8 inch

**1**

Port Size	
1/4 inch	1
3/8 inch	2

**13**

Pressure Range	
Without gauge	
60 psig	11
125 psig	13
200 psig	14
With gauge*	
60 psig	16
125 psig	18
200 psig	19

\* Includes 1-1/2" dial face gauge.

**A**

Relief
A
Relieving

**D**

Engineering Level
D
Current

**Blank**

Port Type
Blank
NPT

  Most popular.



For inventory, lead times, and kit lookup, visit [www.pdnplu.com](http://www.pdnplu.com)

K20

**Parker Hannifin Corporation**  
Pneumatic Division  
Richland, Michigan  
[www.parker.com/pneumatics](http://www.parker.com/pneumatics)

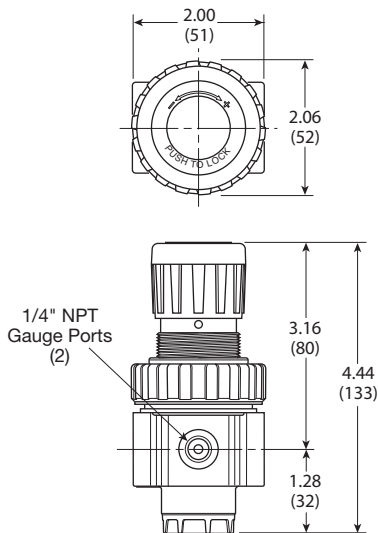
## Economy Regulators

### Material Specifications

Adjusting stem	Brass
Bonnet	Plastic
Body	Zinc
Collar, Knob	Plastic
Diaphragm	Nitrile
Poppet & cap	Plastic
Seals	Nitrile
Springs – poppet & control	Steel

### Repair and Service Kits

Bonnet assembly kit <b>PS915P</b>	
Control knob	<b>P04420</b>
1-1/2" dial face 30 psig (0 to 2.1 bar), gauge	<b>K4515N14030</b>
1-1/2" dial face 60 psig (0 to 4.1 bar), gauge	<b>K4515N14060</b>
1-1/2" dial face 160 psig (0 to 11.0 bar), gauge	<b>K4515N14160</b>
1-1/2" dial face 300 psig (0 to 20.7 bar), gauge	<b>K4515N14300</b>
2" dial face 60 psig (0 to 4.1 bar), gauge	<b>K4520N14060</b>
2" dial face 160 psig (0 to 11.0 bar), gauge	<b>K4520N14160</b>
2" dial face 300 psig (0 to 20.7 bar), gauge	<b>K4520N14300</b>
Mounting bracket kit	<b>PS963P</b>
Panel mount nut – metal	<b>PS964P</b>
1-30 psig spring	<b>P04427</b>
1-60 psig spring	<b>P04426</b>
2-125 psig spring	<b>P04425</b>
2-200 psig spring	<b>P02934</b>
Relieving service kit	<b>PS908P</b>

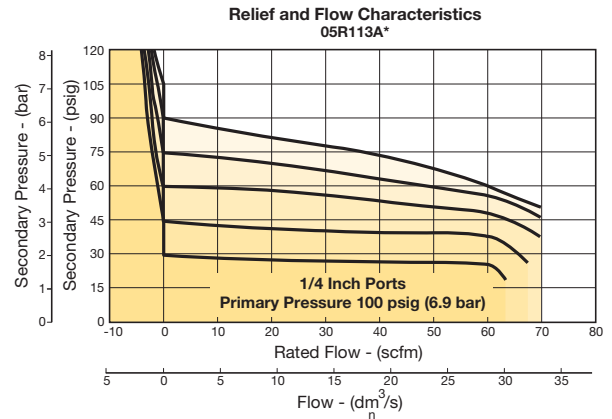


Inches (mm)

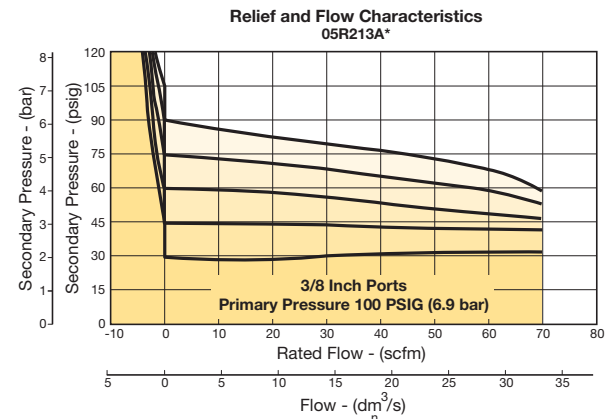
## Air Preparation Products Regulator Products

### Flow Charts

#### 1/4" Regulator



#### 3/8" Regulator



### WARNING

Product rupture can cause serious injury.  
Do not connect regulator to bottled gas.  
Do not exceed Maximum primary pressure rating.

### CAUTION:

**REGULATOR PRESSURE ADJUSTMENT** – The working range of knob adjustment is designed to permit outlet pressures within their full range. Pressure adjustment beyond this range is also possible because the knob is not a limiting device. This is a common characteristic of most industrial regulators, and limiting devices may be obtained only by special design. For best performance, regulated pressure should always be set by increasing the pressure up to the desired setting.



For inventory, lead time, and kit lookup, visit [www.pdnplu.com](http://www.pdnplu.com)

K21

**Parker Hannifin Corporation**  
Pneumatic Division  
Richland, Michigan  
[www.parker.com/pneumatics](http://www.parker.com/pneumatics)

General

Dial

Pilot

Proportional

Precision

Water

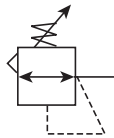
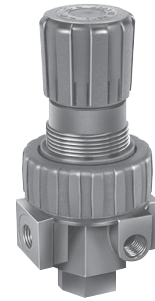
K

Regulator Products

**Compact Regulators**

**06R Regulators – Compact**

- Secondary aspiration plus balanced poppet provides quick response and accurate pressure regulation
- Rolling diaphragm for extended life
- Two high flow 1/4" gauge ports can be used as additional outlets
- Easily serviced
- Removable non-rising knob for panel mounting and tamper resistance
- 1/4", 3/8", 1/2" ports (NPT, BSPP)



Port size	Description	Part number
1/4"	Without gauge	<b>06R113AC</b>
1/4"	With 160 psi gauge	<b>06R118AC</b>
3/8"	Without gauge	<b>06R213AC</b>
3/8"	With 160 psi gauge	<b>06R218AC</b>
1/2"	Without gauge	<b>06R313AC</b>
1/2"	With 160 psi gauge	<b>06R318AC</b>

NOTE: 2.0 Dia. (51 mm) hole required for panel mounting.

**Operating information**

Supply pressure (max):	250 psig (17.2 bar)
Secondary pressure ranges:	
Standard	2 to 125 psig (0 to 8.6 bar)
Low	1 to 60 psig (0 to 4.1 bar)
High	5 to 250 psig (0.4 to 17.2 bar)
Operating temperature:	32°F to 175°F (0°C to 80°C)
Low temperature	-4°F to 125°F (-20°C to 52°C)
Flow capacity†:	
High flow	1/4" 53 scfm (25 dm³/s, ANR)
	3/8" 60 scfm (28.3 dm³/s, ANR)
	1/2" 75 scfm (35.4 dm³/s, ANR)
Gauge ports (2):	1/4 inch (can be used as additional full flow 1/4 inch outlet ports)
Weight:	1.6 lb (0.7 kg)

† scfm = Standard cubic feet per minute at 100 psig inlet, 90 psig no flow secondary setting and 10 psig pressure drop.

**Ordering information:**

**06R**

Port Size	
1/4 inch	1
3/8 inch	2
1/2 inch	3

**1**

**13**

Pressure Range	
Without gauge	
60 psig	11
125 psig	13
250 psig	15
With gauge*	
60 psig	16
125 psig	18
250 psig	21

\* Includes 1-1/2" dial face gauge.

**A**

Relief	
Relieving	A
Non-relieving	L

**C**

Engineering Level	
Current	C

**Port Type**

Blank	NPT
1*	BSPP

\* 1/4 & 3/8 inch meet ISO 1179-1 Standard.

**Preset / Pressure Limited**

Blank	None
XXX*	Preset pressure

\* Available preset / pressure limited range, 10 to 90 psig in 5 psig increments. For higher pressures, contact factory.  
(Example: 065 = 65 psig)

**Options**

Blank	No option
L†	Preset non-adjustable
P†	Preset adjustable
R	Reverse Flow

† Inlet Pressure is 100 psig. For other pressures, contact factory.

Spring Type by Preset / Limited Pressure:  
 For Preset / Limited Pressure 26 to 50 use 60 psi spring  
 For Preset / Limited Pressure 51 to 90 use 125 psi spring

Most popular.



For inventory, lead times, and kit lookup, visit [www.pdnplu.com](http://www.pdnplu.com)

K21a

**Parker Hannifin Corporation**  
Pneumatic Division  
Richland, Michigan  
[www.parker.com/pneumatics](http://www.parker.com/pneumatics)



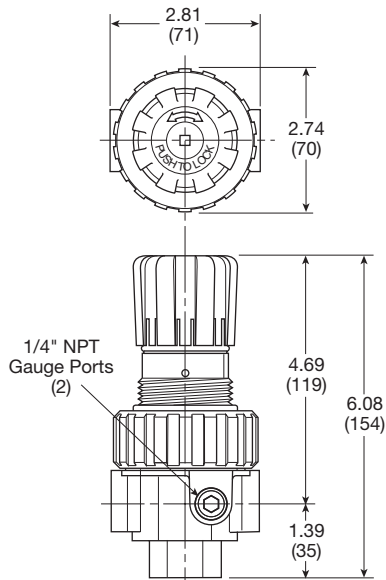
**Compact Regulators**

**Material Specifications**

Adjusting stem	Steel
Body	Zinc
Bonnet, piston stem, valve poppet & cap	Plastic
Collar, knob	Plastic
Diaphragm	Nitrile
Seals	Nitrile
Spring, poppet	Stainless
Spring, control	Steel

**Repair and Service Kits**

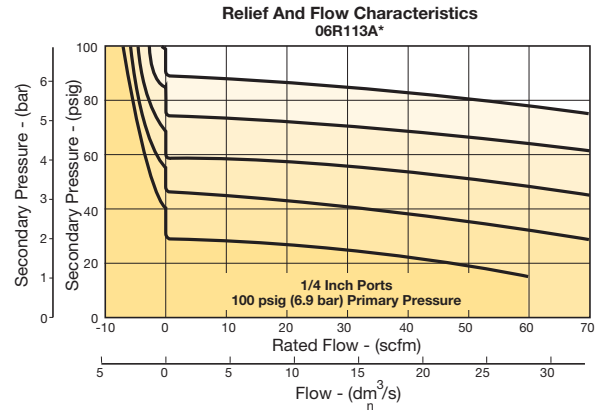
Bonnet assembly kit	<b>PS715P</b>
Control knob	<b>P04069B</b>
2" dial face 60 psig (0 to 4.1 bar), gauge	<b>K4520N14060</b>
2" dial face 160 psig (0 to 11.0 bar), gauge	<b>K4520N14160</b>
2" dial face 300 psig (0 to 20.7 bar), gauge	<b>K4520N14300</b>
1-3/4" digital round face 160 psig (0 to 11.0 bar) gauge	<b>K4517N14160D</b>
Mounting bracket kit (includes panel mount nut)	<b>PS707P</b>
Panel mount nut, plastic	<b>P04082</b>
Panel mount nut, metal	<b>P04079B</b>
Reverse flow service conversion kit, relieving	<b>PS708RP</b>
Relieving (includes poppet)	<b>PS708P</b>
Non-relieving (includes poppet)	<b>PS709P</b>
1-30 psig spring	<b>P01698</b>
1-60 psig spring	<b>P04062</b>
2-125 psig spring	<b>P04063</b>
5-250 psig spring	<b>P04064</b>
Tamperproof kit	<b>PS737P</b>



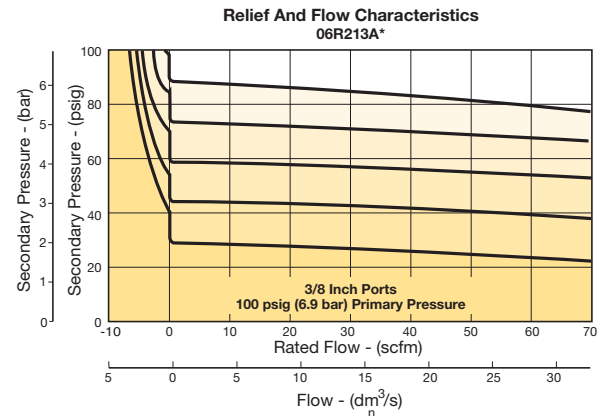
Inches (mm)

**Flow Charts**

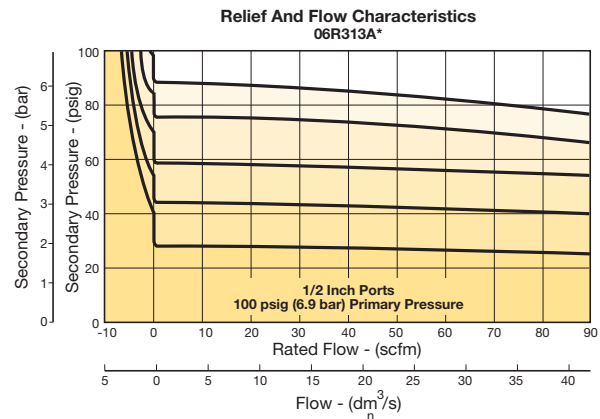
**06R 1/4" Regulator**



**06R 3/8" Regulator**



**06R 1/2" Regulator**



**⚠ WARNING**

**Product rupture can cause serious injury.  
Do not connect regulator to bottled gas.  
Do not exceed Maximum primary pressure rating.**

**CAUTION:**

**REGULATOR PRESSURE ADJUSTMENT** – The working range of knob adjustment is designed to permit outlet pressures within their full range. Pressure adjustment beyond this range is also possible because the knob is not a limiting device. This is a common characteristic of most industrial regulators, and limiting devices may be obtained only by special design. For best performance, regulated pressure should always be set by increasing the pressure up to the desired setting.



For inventory, lead time, and kit lookup, visit [www.pdnplu.com](http://www.pdnplu.com)

K21b

**Parker Hannifin Corporation**  
Pneumatic Division  
Richland, Michigan  
[www.parker.com/pneumatics](http://www.parker.com/pneumatics)

General

Dial

Pilot

Proportional

Precision

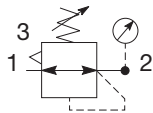
Water

**K**

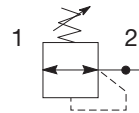
Regulator Products

## P32 Regulators – Compact

- Integral 1/4", 3/8" or 1/2" ports (NPT, BSPP & BSPT)
- Robust but lightweight aluminum construction
- Secondary pressure ranges
- Secondary aspiration plus balanced poppet provides quick response and accurate pressure regulation
- Relieving & non-relieving types
- Non-rising knob
- Available T-handle



Self relieving regulator with gauge



Non-relieving regulator

Port size	Description (relieving)	Gauge	Part number
1/4"	125 psig (8 bar)	None	<b>P32RB92BNNP</b>
1/4"	125 psig (8 bar)	Round	<b>P32RB92BNGP</b>
3/8"	125 psig (8 bar)	None	<b>P32RB93BNNP</b>
3/8"	125 psig (8 bar)	Round	<b>P32RB93BNGP</b>
1/2"	125 psig (8 bar)	None	<b>P32RB94BNNP</b>
1/2"	125 psig (8 bar)	Round	<b>P32RB94BNGP</b>

### Operating information

Flow capacity*:	148 scfm (70 dm <sup>3</sup> /s, ANR)
1/4	165 scfm (78 dm <sup>3</sup> /s, ANR)
3/8, 1/2	
Operating temperature:	-13°F to 150°F (-25°C to 65.5°C)
Supply pressure (max):	300 psig (20 bar)
Adjusting range pressure:	30 psig (0-2 bar)
	60 psig (0-4 bar)
	125 psig (0-8 bar)
	250 psig (0-17 bar)
Gauge port (2 each)	1/4 NPT, BSPP, BSPT
Weight:	0.90 lb (0.41 kg)

\* Inlet pressure 145 psig (10 bar). Secondary pressure 91.3 psig (6.3 bar).

### Ordering Information:

<b>P32RB</b>	<b>9</b>	<b>2</b>	<b>B</b>	<b>N</b>	<b>G</b>	<b>P</b>																												
<b>Basic series</b> Global modular compact regulator P32RB	<b>Thread type</b> BSPP 1 BSPT 2 NPT 9	<b>Port size</b> 1/4 2 3/8 3 1/2 4	<b>Relief</b> Relieving B Non-relieving N	<b>Adjustment</b> N Non-rising knob T T-Handle	<b>Mounting</b> P Plastic panel mount nut	<b>Adjustment range</b> <table border="1"> <thead> <tr> <th colspan="2">With square gauge</th> <th colspan="2">With round gauge</th> </tr> <tr> <th>psig</th> <th>bar</th> <th>Z</th> <th>M</th> </tr> </thead> <tbody> <tr> <td>1 = 30*</td> <td>V = 2*</td> <td>30 psig; 2 bar; 0.2 MPa</td> <td>60 psig; 4 bar; 0.4 MPa</td> </tr> <tr> <td>3 = 60</td> <td>S = 4</td> <td>G 125 psig; 8 bar; 0.8 MPa</td> <td>J 250 psig; 17 bar; 1.7 MPa</td> </tr> <tr> <td>5 = 125</td> <td>T = 8</td> <td colspan="2"><b>Without gauge</b></td> </tr> <tr> <td></td> <td></td> <td>Y 30 psig; 2 bar; 0.2 MPa</td> <td>L 60 psig; 4 bar; 0.4 MPa</td> </tr> <tr> <td></td> <td></td> <td>N 125 psig; 8 bar; 0.8 MPa</td> <td>H 250 psig; 17 bar; 1.7 MPa</td> </tr> </tbody> </table>	With square gauge		With round gauge		psig	bar	Z	M	1 = 30*	V = 2*	30 psig; 2 bar; 0.2 MPa	60 psig; 4 bar; 0.4 MPa	3 = 60	S = 4	G 125 psig; 8 bar; 0.8 MPa	J 250 psig; 17 bar; 1.7 MPa	5 = 125	T = 8	<b>Without gauge</b>				Y 30 psig; 2 bar; 0.2 MPa	L 60 psig; 4 bar; 0.4 MPa			N 125 psig; 8 bar; 0.8 MPa	H 250 psig; 17 bar; 1.7 MPa
With square gauge		With round gauge																																
psig	bar	Z	M																															
1 = 30*	V = 2*	30 psig; 2 bar; 0.2 MPa	60 psig; 4 bar; 0.4 MPa																															
3 = 60	S = 4	G 125 psig; 8 bar; 0.8 MPa	J 250 psig; 17 bar; 1.7 MPa																															
5 = 125	T = 8	<b>Without gauge</b>																																
		Y 30 psig; 2 bar; 0.2 MPa	L 60 psig; 4 bar; 0.4 MPa																															
		N 125 psig; 8 bar; 0.8 MPa	H 250 psig; 17 bar; 1.7 MPa																															

\* Regulator comes with gauge respective to the adjustment range selected.

Most popular.



For inventory, lead times, and kit lookup, visit [www.pdnplu.com](http://www.pdnplu.com)

K22

**Parker Hannifin Corporation**  
 Pneumatic Division  
 Richland, Michigan  
[www.parker.com/pneumatics](http://www.parker.com/pneumatics)

**Material Specifications**

Body	Aluminum
Adjustment knob	Acetal
Bonnet	Glass-filled nylon
Diaphragm assembly	Nitrile / Zinc
Valve assembly	Brass / Nitrile
Springs	Steel, stainless steel
Seals	Nitrile
Panel nut	Acetal

**Repair and Service Kits**

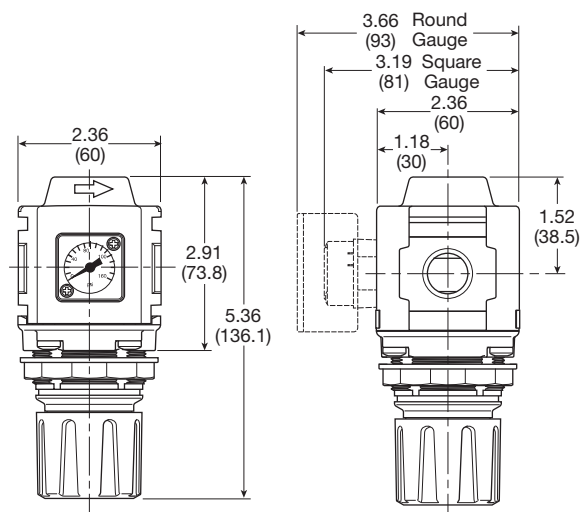
Diaphragm repair kit - relieving	<b>P32KB00RB</b>
Diaphragm repair kit - non-relieving	<b>P32KB00RC</b>
Panel mount nut - aluminum	<b>P32KA00MM</b>
Panel mount nut - plastic	<b>P32KA00MP</b>
Angle bracket (attaches via panel nut)	<b>P32KB00MR</b>
T-bracket with body connector	<b>P32KA00MT</b>
T-bracket	<b>P32KA00MB</b>
Body connector	<b>P32KA00CB</b>

**WARNING**

**Product rupture can cause serious injury.  
 Do not connect regulator to bottled gas.  
 Do not exceed Maximum primary pressure rating.**

**CAUTION:**

**REGULATOR PRESSURE ADJUSTMENT** – The working range of knob adjustment is designed to permit outlet pressures within their full range. Pressure adjustment beyond this range is also possible because the knob is not a limiting device. This is a common characteristic of most industrial regulators, and limiting devices may be obtained only by special design. For best performance, regulated pressure should always be set by increasing the pressure up to the desired setting.

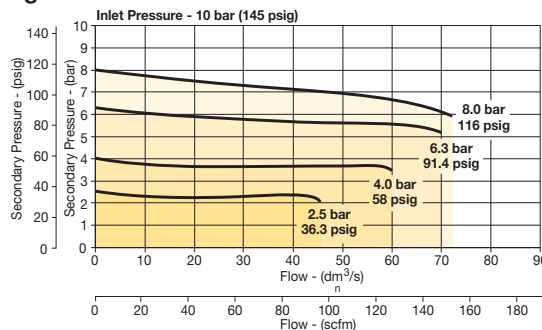


Inches (mm)

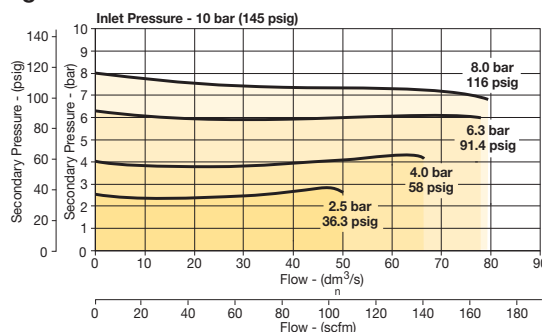
**NOTE:** 1.90 in. (48mm) hole required for panel nut mounting.

**Flow Charts**

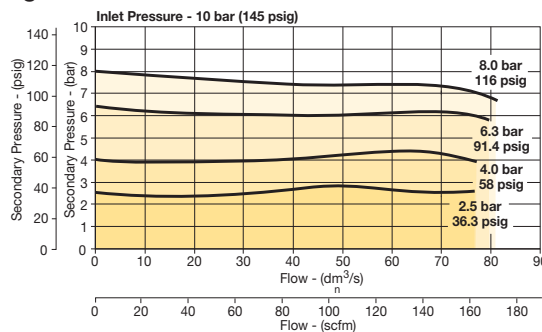
**1/4 Regulator**



**3/8 Regulator**



**1/2 Regulator**



**Gauges**

Square flush mount gauge	0-4 bar	<b>K4511SCR04B</b>
	0-11 bar	<b>K4511SCR11B</b>
	0-60 psig	<b>K4511SCR060</b>
	0-160 psig	<b>K4511SCR160</b>
Square with adapter kit	0-4 bar	<b>P6G-PR10040</b>
	0-11 bar	<b>P6G-PR10110</b>
	0-60 psig	<b>P6G-PR90060</b>
	0-160 psig	<b>P6G-PR90160</b>
50mm (2") round 1/4" center back mount	0-30 psig / 0-2 bar	<b>K4520N14030</b>
	0-60 psig / 0-4 bar	<b>K4520N14060</b>
	0-160 psig / 0-11 bar	<b>K4520N14160</b>
	0-300 psig / 0-20 bar	<b>K4520N14300</b>

For best performance, regulated pressure should always be set by increasing the pressure up to the desired setting.



For inventory, lead time, and kit lookup, visit [www.pdnplu.com](http://www.pdnplu.com)

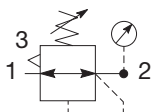
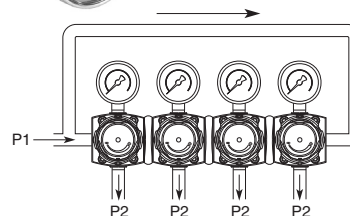
K23

General  
 Dial  
 Pilot  
 Proportional  
 Precision  
 Water  
**K**  
 Regulator Products

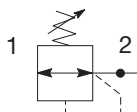
**Compact Common P1 Precision Regulator**

**P32 Common - P1 Regulator – Compact**

- Manifold style regulator with line pressure on both sides.
- Pressure output is at front or rear.
- Inlet ports 1/4", 3/8" or 1/2" (NPT, BSPP & BSPT)
- Working port 1/4"
- Robust construction
- Secondary pressure ranges
- Secondary aspiration plus balanced poppet provides quick response and accurate pressure regulation
- Relieving & non-relieving types
- Non-rising knob



Self relieving regulator with gauge



Non-relieving regulator

Port size	Description (relieving)	Gauge	Part number
1/4"	125 psig (8 bar)	None	<b>P32HB92BNNP</b>
3/8"	125 psig (8 bar)	None	<b>P32HB93BNNP</b>
1/2"	125 psig (8 bar)	None	<b>P32HB94BNNP</b>

**Operating information**

Flow capacity\*: 1/4, 3/8, 1/2 30 dm<sup>3</sup>/s (64 scfm)  
 Operating temperature: -25°C to 65.5°C (-13°F to 150°F)  
 Supply pressure (max): 300 psig (20 bar)  
 Adjusting range pressure: 0 to 30 psig (0 to 2 bar)  
 0 to 60 psig (0 to 4 bar)  
 0 to 125 psig (0 to 8 bar)  
 0 to 232 psig (0 to 16 bar)  
 Gauge port (2 each): 1/4 NPT, BSPP, BSPT  
 Weight: 0.50 lb (1.10 kg)  
 \* Inlet pressure 145 psig (10 bar). Secondary pressure 91.3 psig (6.3 bar).

**Ordering Information:**

**P32HB 9 2 B N N P**

- Basic series**  
Global modular compact regulator **P32HB**
- Thread type**  
BSPP 1  
BSPT 2  
NPT 9
- Port size †**  
1/4 2  
3/8 3  
1/2 4  
† Working port 1/4".
- Relief**  
Relieving B  
Non-relieving N
- Mounting**  
P Plastic panel mount nut
- Adjustment range**

With square gauge		With round gauge	
psig	bar	Z	M
1 = 30*	V = 2*	30 psig; 2 bar; 0.2 MPa	60 psig; 4 bar; 0.4 MPa
3 = 60	S = 4	G	125 psig; 8 bar; 0.8 MPa
5 = 125	T = 8	J	250 psig; 17 bar; 1.7 MPa
- Adjustment**  
N Non-rising knob  
T T-Handle
- Without gauge**

Y	30 psig; 2 bar; 0.2 MPa
L	60 psig; 4 bar; 0.4 MPa
N	125 psig; 8 bar; 0.8 MPa
H	250 psig; 17 bar; 1.7 MPa

\* Regulator comes with gauge respective to the adjustment range selected.

Most popular.



For inventory, lead times, and kit lookup, visit [www.pdnplu.com](http://www.pdnplu.com)

K24

**Parker Hannifin Corporation**  
Pneumatic Division  
Richland, Michigan  
[www.parker.com/pneumatics](http://www.parker.com/pneumatics)

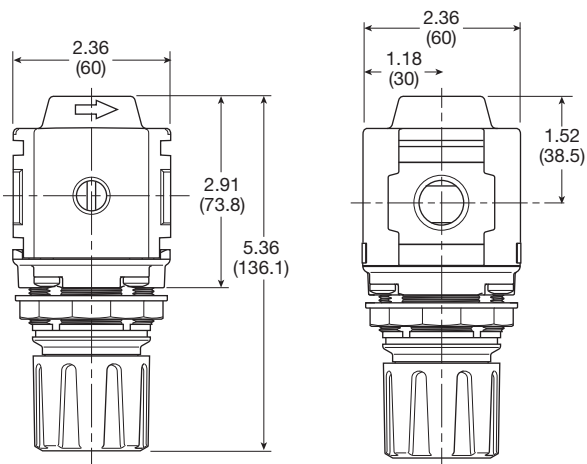
# Compact Common P1 Precision Regulator

## Material Specifications

Body	Aluminum
Adjustment knob	Acetal
Bonnet	Glass-filled nylon
Diaphragm assembly	Nitrile / zinc
Valve assembly	Brass / nitrile
Springs	Steel, stainless steel
Seals	Nitrile
Panel nut	Acetal

## Repair and Service Kits

Diaphragm repair kit - relieving	<b>P32KB00RB</b>
Diaphragm repair kit - non-relieving	<b>P32KB00RC</b>
Panel mount nut - aluminum	<b>P32KA00MM</b>
Panel mount nut - plastic	<b>P32KA00MP</b>
Angle bracket (attaches via panel nut)	<b>P32KB00MR</b>
T-bracket with body connector	<b>P32KA00MT</b>
T-bracket	<b>P32KA00MB</b>
Body connector	<b>P32KA00CB</b>



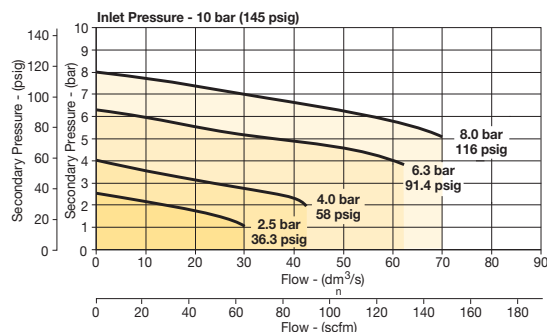
Inches (mm)

**NOTE:** 1.90 in. (48mm) hole required for panel nut mounting.

# Air Preparation Products Regulator Products

## Flow Charts

### P32 Common Port Regulator



**⚠ WARNING**

**Product rupture can cause serious injury.  
Do not connect regulator to bottled gas.  
Do not exceed Maximum primary pressure rating.**

### CAUTION:

**REGULATOR PRESSURE ADJUSTMENT** – The working range of knob adjustment is designed to permit outlet pressures within their full range. Pressure adjustment beyond this range is also possible because the knob is not a limiting device. This is a common characteristic of most industrial regulators, and limiting devices may be obtained only by special design. For best performance, regulated pressure should always be set by increasing the pressure up to the desired setting.

## Gauges

Square flush mount gauge	0-4 bar	<b>K4511SCR04B</b>
	0-11 bar	<b>K4511SCR11B</b>
	0-60 psig	<b>K4511SCR060</b>
	0-160 psig	<b>K4511SCR160</b>
Square with adapter kit	0-4 bar	<b>P6G-PR10040</b>
	0-11 bar	<b>P6G-PR10110</b>
	0-60 psig	<b>P6G-PR90060</b>
	0-160 psig	<b>P6G-PR90160</b>
50mm (2") round 1/4" center back mount	0-30 psig / 0-2 bar	<b>K4520N14030</b>
	0-60 psig / 0-4 bar	<b>K4520N14060</b>
	0-160 psig / 0-11 bar	<b>K4520N14160</b>
	0-300 psig / 0-20 bar	<b>K4520N14300</b>

For best performance, regulated pressure should always be set by increasing the pressure up to the desired setting.



For inventory, lead time, and kit lookup, visit [www.pdnplu.com](http://www.pdnplu.com)

K25

**Parker Hannifin Corporation**  
Pneumatic Division  
Richland, Michigan  
[www.parker.com/pneumatics](http://www.parker.com/pneumatics)

General

Dial

Pilot

Proportional

Precision

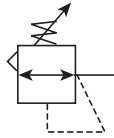
Water

**K**

Regulator Products

## 07R Regulators – Standard

- Secondary aspiration plus balanced poppet provides quick response and accurate pressure regulation
- Rolling diaphragm for extended life
- Two high flow 1/4" gauge ports can be used as additional outlets
- Easily serviced
- Removable non-rising knob for panel mounting and tamper resistance
- 1/2", 3/4" ports (NPT, BSPP)



Port size	Description	Part number
1/2"	Without gauge	<b>07R313AC</b>
1/2"	With 160 psi gauge	<b>07R318AC</b>
3/4"	Without gauge	<b>07R413AC</b>
3/4"	With 160 psi gauge	<b>07R418AC</b>

NOTE: 2.0 Dia. (51 mm) hole required for panel mounting.

### Operating information

Supply pressure (max):	250 psig (17.2 bar)	
Secondary pressure ranges		
Standard	2 to 125 psig (0 to 8.6 bar)	
Low	1 to 60 psig (0 to 4.1 bar)	
High	5 to 250 psig (0.4 to 17.2 bar)	
Operating temperature:	32°F to 175°F (0°C to 80°C)	
Low temperature	-4°F to 125°F (-20°C to 52°C)	
Flow capacity†:		
High flow	1/2"	90 scfm (42.5 dm³/s, ANR)
	3/4"	90 scfm (42.5 dm³/s, ANR)
Gauge ports (2):	1/4 inch (can be used as additional full flow 1/4 inch outlet ports)	
Weight:	2.5 lb (1.1 kg)	

† scfm = Standard cubic feet per minute at 100 psig inlet, 90 psig no flow secondary setting and 10 psig pressure drop.

### Ordering information:

<b>07R</b>	<b>3</b>	<b>13</b>	<b>A</b>	<b>C</b>			
------------	----------	-----------	----------	----------	--	--	--

Port Size	
1/2 inch	3
3/4 inch	4

Pressure Range	
Without gauge	
60 psig	11
125 psig	13
250 psig	15
With gauge*	
60 psig	16
125 psig	18
250 psig	21

\* Includes 1-1/2" dial face gauge.

Relief	
Relieving	A
Non-relieving	L

Engineering Level	
Current	C

Port Type	
Blank	NPT
1*	BSPP

\* 1/4 & 3/8 inch meet ISO 1179-1 Standard.

Preset / Pressure Limited	
Blank	None
XXX*	Preset pressure

\* Available preset / pressure limited range, 10 to 90 psig in 5 psig increments. For higher pressures, contact factory.  
(Example: 065 = 65 psig)

Options	
Blank	No option
L †	Preset non-adjustable
P †	Preset Adjustable
R	Reverse Flow

† Inlet Pressure is 100 psig. For other pressures, contact factory.

Spring Type by Preset / Limited Pressure:  
 For Preset / Limited Pressure 26 to 50 use 60 psi spring  
 For Preset / Limited Pressure 51 to 90 use 125 psi spring

☐ Most popular.



For inventory, lead times, and kit lookup, visit [www.pdnplu.com](http://www.pdnplu.com)

K26

**Parker Hannifin Corporation**  
 Pneumatic Division  
 Richland, Michigan  
[www.parker.com/pneumatics](http://www.parker.com/pneumatics)

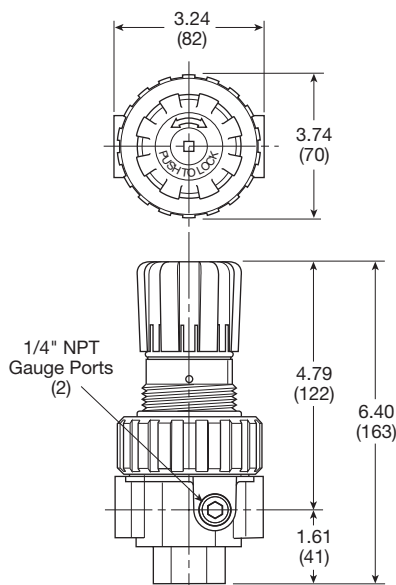
## Standard Regulators

### Material Specifications

Adjusting stem	Steel
Body	Zinc
Bonnet, piston stem, valve poppet & cap	Plastic
Collar, knob	Plastic
Diaphragm	Nitrile
Seals	Nitrile
Spring, poppet	Stainless
Spring, control	Steel

### Repair and Service Kits

Bonnet assembly kit	<b>PS715P</b>
Control knob	<b>P04069B</b>
2" dial face 60 psig (0 to 4.1 bar), gauge	<b>K4520N14060</b>
2" dial face 160 psig (0 to 11.0 bar), gauge	<b>K4520N14160</b>
2" dial face 300 psig (0 to 20.7 bar), gauge	<b>K4520N14300</b>
1-3/4" digital round face 160 psig (0 to 11.0 bar), gauge	<b>K4517N14160D</b>
Mounting bracket kit (includes panel mount nut)	<b>PS807P</b>
Panel mount nut, plastic	<b>P04082</b>
Panel Mount nut, metal	<b>P04079B</b>
Reverse flow service conversion kit, relieving	<b>PS808RP</b>
Relieving (includes poppet)	<b>PS808P</b>
Non-relieving (includes poppet)	<b>PS809P</b>
1-30 psig spring	<b>P01698</b>
1-60 psig spring	<b>P04062</b>
2-125 psig spring	<b>P04063</b>
5-250 psig spring	<b>P04064</b>
Tamperproof kit	<b>PS737P</b>

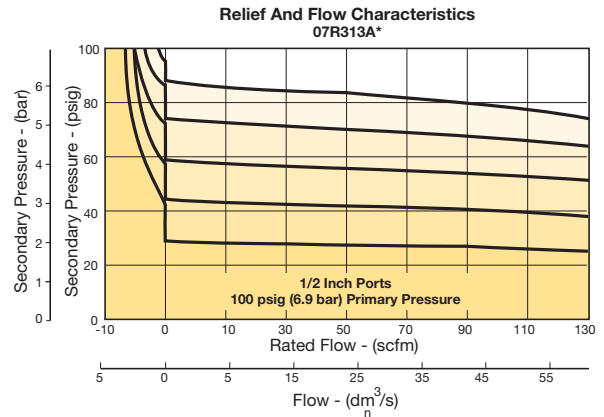


Inches (mm)

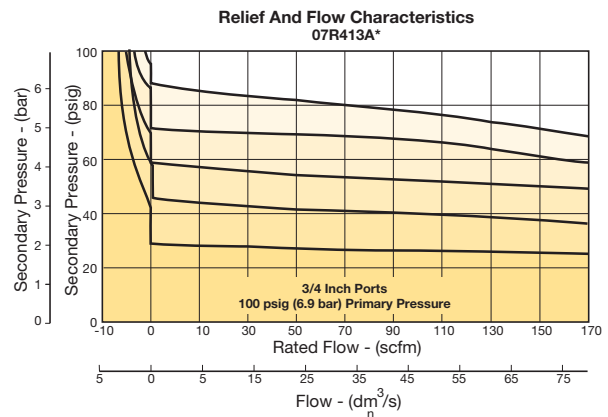
## Air Preparation Products Regulator Products

### Flow Charts

#### 1/2" Regulator



#### 3/4" Regulator



**⚠ WARNING**

**Product rupture can cause serious injury.  
Do not connect regulator to bottled gas.  
Do not exceed Maximum primary pressure rating.**

#### CAUTION:

**REGULATOR PRESSURE ADJUSTMENT** – The working range of knob adjustment is designed to permit outlet pressures within their full range. Pressure adjustment beyond this range is also possible because the knob is not a limiting device. This is a common characteristic of most industrial regulators, and limiting devices may be obtained only by special design. For best performance, regulated pressure should always be set by increasing the pressure up to the desired setting.



For inventory, lead time, and kit lookup, visit [www.pdnplu.com](http://www.pdnplu.com)

K27

General

Dial

Pilot

Proportional

Precision

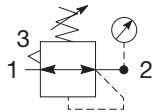
Water

**K**

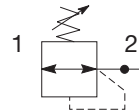
Regulator  
Products

## P33 Regulators – Standard

- Integral 1/2" or 3/4" ports (NPT, BSPP & BSPT)
- Robust but lightweight aluminum construction
- Secondary pressure ranges
- Secondary aspiration plus balanced poppet provides quick response and accurate pressure regulation
- Relieving & non-relieving types
- Non-rising knob



Self relieving regulator with gauge



Non-relieving regulator

Port size	Description (relieving)	Gauge	Part number
1/2"	125 psig (8 bar)	None	<b>P33RA94BNNP</b>
1/2"	125 psig (8 bar)	Round	<b>P33RA94BNGP</b>
3/4"	125 psig (8 bar)	None	<b>P33RA96BNNP</b>
3/4"	125 psig (8 bar)	Round	<b>P33RA96BNGP</b>

### Operating information

Flow capacity*:	1/2, 3/4	233 scfm (110 dm <sup>3</sup> /s, ANR)
Operating temperature:		-13°F to 150°F (-25°C to 65.5°C)
Supply pressure (max):		300 psig (20 bar)
Adjusting range pressure:		0 to 30 psig (0 to 2 bar) 0 to 60 psig (0 to 4 bar) 0 to 125 psig (0 to 8 bar) 0 to 250 psig (0 to 17 bar)
Gauge port (2 each):		1/4 NPT, BSPP, BSPT
Weight:		1.61 lb (0.62 kg)
* Inlet pressure 145 psig (10 bar). Secondary pressure 91.3 psig (6.3 bar).		

### Ordering Information:

**P33RA 9 6 B N G P**

<b>Basic series</b> Global modular standard regulator P33RA	<b>Thread type</b> BSPP 1 BSPT 2 NPT 9	<b>Port size</b> 1/2 4 3/4 6	<b>Relief</b> Relieving B Non-relieving N Reverse flow-relieving R	<b>Adjustment</b> Non-rising knob N	<b>Mounting</b> P Plastic panel mount nut
<b>Adjustment range</b>					
<b>With round gauge</b>					
Z	30 psig; 2 bar; 0.2 MPa				
M	60 psig; 4 bar; 0.4 MPa				
G	125 psig; 8 bar; 0.8 MPa				
J	250 psig; 17 bar; 1.7 MPa				
<b>Without gauge</b>					
Y	30 psig; 2 bar; 0.2 MPa				
L	60 psig; 4 bar; 0.4 MPa				
N	125 psig; 8 bar; 0.8 MPa				
H	250 psig; 17 bar; 1.7 MPa				

Most popular.



For inventory, lead times, and kit lookup, visit [www.pdnplu.com](http://www.pdnplu.com)

K28

**Parker Hannifin Corporation**  
 Pneumatic Division  
 Richland, Michigan  
[www.parker.com/pneumatics](http://www.parker.com/pneumatics)



**Material Specifications**

Body	Aluminum
Adjustment knob	Acetal
Body cap	ABS
Bonnet	Glass-filled nylon
Diaphragm assembly	Nitrile / zinc
Valve assembly	Brass / nitrile
Springs	Steel, stainless steel
Seals	Nitrile
Panel nut	Acetal

**Repair and Service Kits**

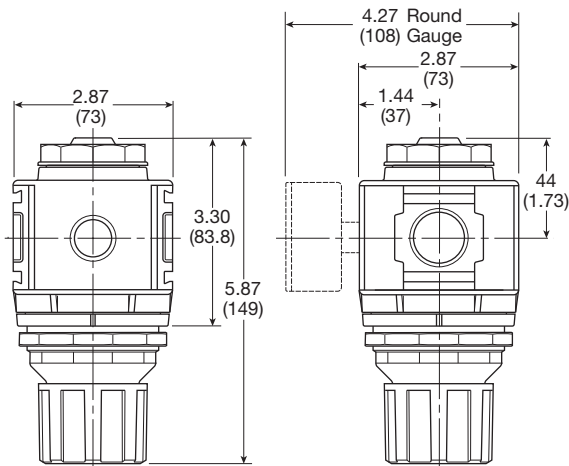
Diaphragm repair kit - relieving	<b>P33KA00RB</b>
Diaphragm repair kit - non-relieving	<b>P33KA00RC</b>
Panel mount nut - aluminum	<b>P33KA00MM</b>
Panel mount nut - plastic	<b>P33KA00MP</b>
Angle bracket (attaches via panel nut)	<b>P33KA00MR</b>
T-bracket with body connector	<b>P32KA00MT</b>
T-bracket	<b>P32KA00MB</b>
Body connector	<b>P32KA00CB</b>

**⚠ WARNING**

**Product rupture can cause serious injury.  
 Do not connect regulator to bottled gas.  
 Do not exceed Maximum primary pressure rating.**

**CAUTION:**

**REGULATOR PRESSURE ADJUSTMENT** – The working range of knob adjustment is designed to permit outlet pressures within their full range. Pressure adjustment beyond this range is also possible because the knob is not a limiting device. This is a common characteristic of most industrial regulators, and limiting devices may be obtained only by special design. For best performance, regulated pressure should always be set by increasing the pressure up to the desired setting.

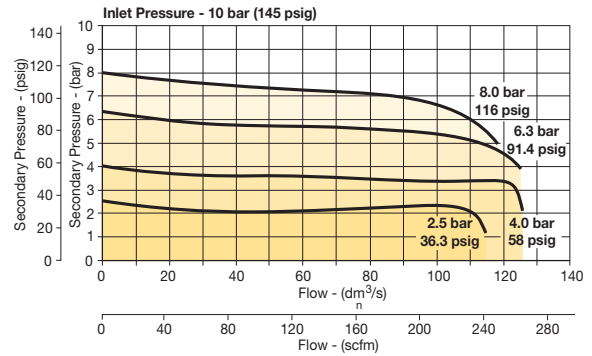


Inches (mm)

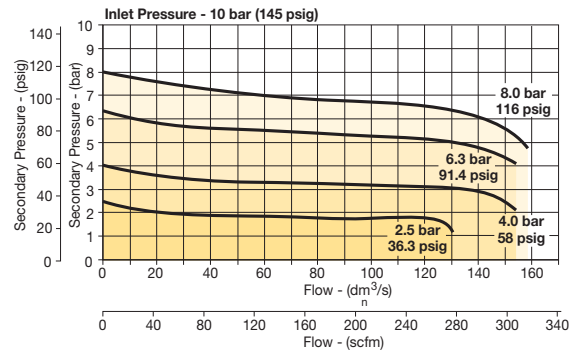
**NOTE:** 2.40 in. (61mm) hole required for panel nut mounting.

**Flow Charts**

**1/2 Regulator**



**3/4 Regulator**



**Gauges**

50mm (2") round	0-30 psig / 0-2 bar	<b>K4520N14030</b>
1/4" center back mount	0-60 psig / 0-4 bar	<b>K4520N14060</b>
	0-160 psig / 0-11 bar	<b>K4520N14160</b>
	0-300 psig / 0-20 bar	<b>K4520N14300</b>

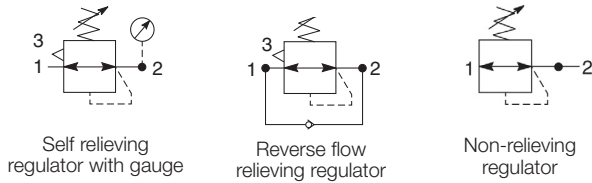
For best performance, regulated pressure should always be set by increasing the pressure up to the desired setting.



For inventory, lead time, and kit lookup, visit [www.pdnplu.com](http://www.pdnplu.com)

**P3Y Regulators**

- Integral 3/4" or 1" ports (BSPP and NPT)
- Robust but lightweight aluminium construction
- Secondary pressure ranges 12 and 16 bar
- Rolling diaphragm for extended life
- Secondary aspiration plus rolling diaphragm provides quick response and accurate pressure regulation
- Optional tamperproof regulator padlock
- Reverse flow / relieving option
- Low temperature -40°C (-40°F)



**Operating information**

Supply pressure (max)*:	254 psig (17.5 bar)
Operating temperature:	-40°F to 140°F (-40°C to 60°C)
Flow capacity†:	3/4" 380 scfm (179.3 dm³/s, ANR) 1" 550 scfm (259.6 dm³/s, ANR)
Fluid:	Compressed air
Gauge port (x2)	1/4"
Weight:	2.4 lb (1.08 kg)

† Inlet pressure 145 psig (10 bar) inlet pressure, 91.4 psig (6.3 bar) set pressure and 7.3 psig (0.5 bar) pressure drop.  
\* Air supply must be dry enough to avoid ice formation at temperatures below 35.6°F (2°C).

Port size	Description	Part number
3/4"	174 psig relieving	<b>P3YRA96BNEN</b>
3/4"	174 psig relieving + pressure gauge	<b>P3YRA96BNFN</b>
1"	174 psig relieving	<b>P3YRA98BNEN</b>
1"	174 psig relieving + pressure gauge	<b>P3YRA98BNFN</b>

**Ordering information**

**P3YRA 9 6 B N E N**

<b>Basic series</b>	<b>Thread type*</b>	<b>Port size</b>	<b>Relief</b>	<b>Lockable</b>	<b>Adjustment range</b>
Regulator P3YRA	BSPP 1 NPT 9	3/4 6 1 8	B Relieving R Reverse flow / relieving	N Standard A† Lockable	E 0 to 174 psi (0 to 12 bar), no gauge H 0 to 232 psi (0 to 16 bar), no gauge F 0 to 174 psi (0 to 12 bar), gauge J 0 to 232 psi (0 to 16 bar), gauge

**Notes:**  
\* For 1-1/2" ported unit, please order P3YKA\*B\*CP port block kit separately.  
† Not field convertible.

☐ Most popular.



For inventory, lead times, and kit lookup, visit [www.pdnplu.com](http://www.pdnplu.com)

K30

**Parker Hannifin Corporation**  
Pneumatic Division  
Richland, Michigan  
[www.parker.com/pneumatics](http://www.parker.com/pneumatics)

# Regulators

## Material specifications

Body	Aluminium
Bonnet	Glass filled polyamide
Regulator cover	ABS
Control knob	Glass filled polyamide
Valve	Brass / NBR
Seals	Nitrile NBR
Screws	Steel / zinc plated

## Repair and Service Kits

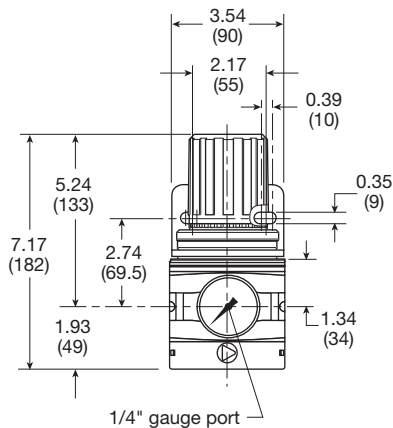
Angle bracket + metal lock ring	<b>P3YKA00MS</b>
Panel mounting nut	<b>P3YKA00MM</b>
Diaphragm kit (relieving type)	<b>P3YKA00RR</b>
Diaphragm kit (non-relieving type)	<b>P3YKA00RN</b>
0 to 160 psig (0 to 10 bar), gauge 1/4" port	<b>K4520N14160</b>
0 to 300 psig (0 to 20 bar), gauge 1/4" port	<b>K4520N14300</b>

### ⚠ WARNING

**Product rupture can cause serious injury.  
Do not connect regulator to bottled gas.  
Do not exceed Maximum primary pressure rating.**

## CAUTION:

**REGULATOR PRESSURE ADJUSTMENT** – The working range of knob adjustment is designed to permit outlet pressures within their full range. Pressure adjustment beyond this range is also possible because the knob is not a limiting device. This is a common characteristic of most industrial regulators, and limiting devices may be obtained only by special design. For best performance, regulated pressure should always be set by increasing the pressure up to the desired setting.

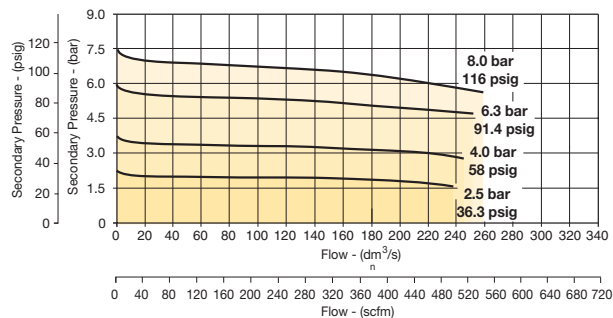


Inches (mm)

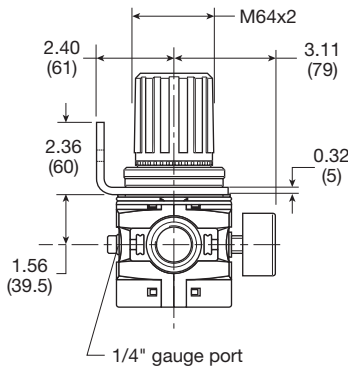
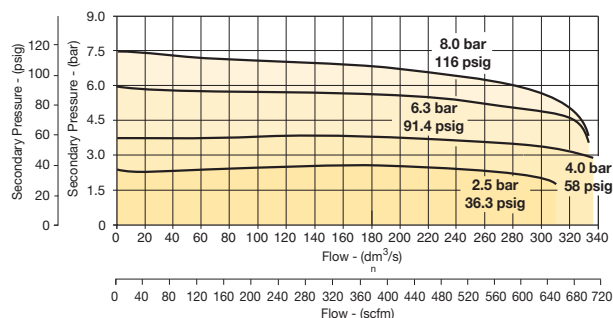
# Air Preparation Products Regulator Products

## Flow characteristics

### (3/4") Regulator



### (1") Regulator



General

Dial

Pilot

Proportional

Precision

Water

**K**  
Regulator Products



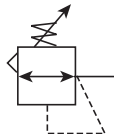
For inventory, lead time, and kit lookup, visit [www.pdnplu.com](http://www.pdnplu.com)

K31

**Parker Hannifin Corporation**  
Pneumatic Division  
Richland, Michigan  
[www.parker.com/pneumatics](http://www.parker.com/pneumatics)

## P3NR Regulators – Hi-Flow

- Port blocks (PB) available to provide 1-1/2" port extension to 1" ported bodies
- Self relieving feature plus balanced poppet provides quick response and accurate pressure regulation
- Solid control piston for extended life
- 3/4", 1", 1-1/2" ports (NPT, BSPP)



Port size	Description	Part number
3/4"	Without gauge	<b>P3NRA96BNN</b>
3/4"	With 160 psi gauge	<b>P3NRA96BNG</b>
1"	Without gauge	<b>P3NRA98BNN</b>
1"	With 160 psi gauge	<b>P3NRA98BNG</b>
1-1/2" #	Without gauge	<b>P3NRA9PBNN</b>
1-1/2" #	With 160 psi gauge	<b>P3NRA9PBNG</b>

# 1" port body with 1-1/2" port block.  
 NOTE: 2.0 Dia. (51 mm) hole required for panel mounting.

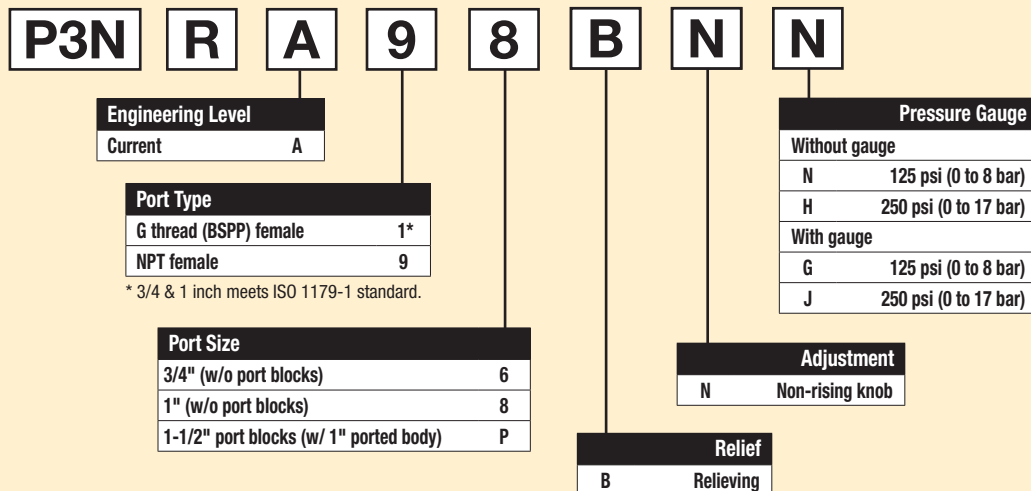
### Operating information

Supply pressure (max):	250 psig (17.2 bar)
Operating temperature:	32°F to 175°F (0°C to 80°C)
Flow capacity†:	
High flow	3/4" 200 scfm (94.4 dm³/s, ANR)
	1" 300 scfm (141.6 dm³/s, ANR)
	1-1/2" 300 scfm (141.6 dm³/s, ANR)
Gauge ports (2):	1/4 inch (can be used as additional full flow 1/4 inch outlet ports)
Weight:	3/4", 1" 4.2 lb (1.9 kg)
	1-1/2" # 5.3 lb (2.4 kg)

† scfm = Standard cubic feet per minute at 100 psig inlet, 90 psig no flow secondary setting and 10 psig pressure drop.

# 1" port body with 1-1/2" port block

### Ordering information:



Note: BSPP ported units supplied using NPT ported bodies and BSPP port block kits.

☐ Most popular.



For inventory, lead times, and kit lookup, visit [www.pdnplu.com](http://www.pdnplu.com)

K32

**Parker Hannifin Corporation**  
 Pneumatic Division  
 Richland, Michigan  
[www.parker.com/pneumatics](http://www.parker.com/pneumatics)

# Hi-Flow Regulators

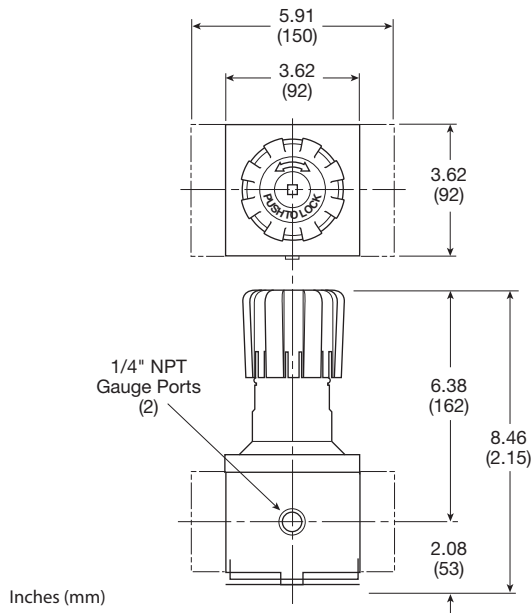
## Material Specifications

Adjusting stem	Steel
Body	Aluminum
Bonnet	Aluminum
Knob	Plastic
Piston	Plastic
Poppet assembly	Brass
Seals	Nitrile
Springs, poppet & control	Steel

## Repair and Service Kits

Control knob	<b>P3NKA00PN</b>
2" dial face 60 psig (0 to 4.1 bar), gauge	<b>K4520N14060</b>
2" dial face 160 psig (0 to 11.0 bar), gauge	<b>K4520N14160</b>
2" dial face 300 psig (0 to 20.7 bar), gauge	<b>K4520N14300</b>
1-3/4" digital round face 160 psig (0 to 11.0 bar), gauge	<b>K4517N14160D</b>
Mounting bracket kit*	<b>P3NKA00MW</b>
Relieving	<b>P3NKA00RR</b>
Non-relieving	<b>P3NKA00RN</b>
1-60 psig spring	<b>C10A1304</b>
2-125 psig spring	<b>C10A1308</b>
5-250 psig spring	<b>C10A1317</b>

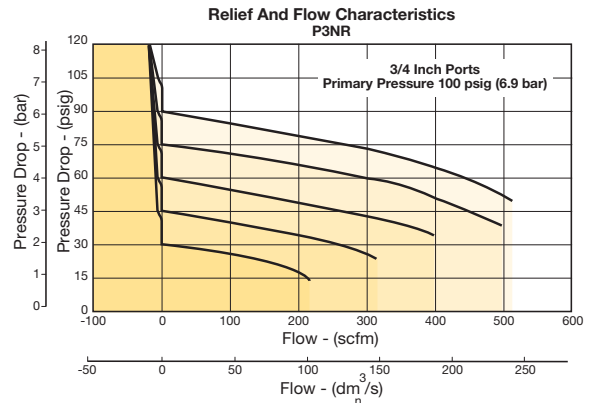
\* If 1-1/2 BSPP E02 fittings are required, use P3NKA00BMW.



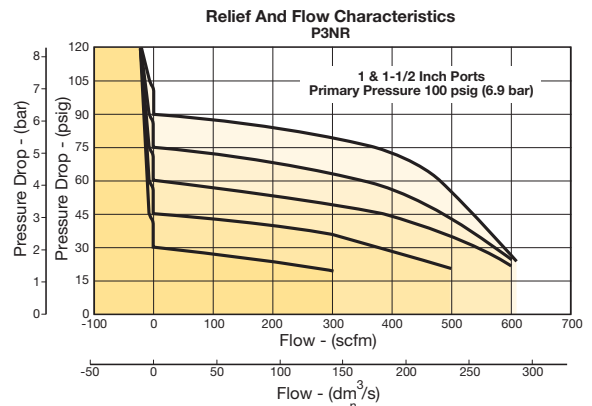
# Air Preparation Products Regulator Products

## Flow Charts

### 3/4" Regulator



### 1" & 1-1/2" Regulator



**⚠ WARNING**

**Product rupture can cause serious injury.  
Do not connect regulator to bottled gas.  
Do not exceed Maximum primary pressure rating.**

### CAUTION:

**REGULATOR PRESSURE ADJUSTMENT** – The working range of knob adjustment is designed to permit outlet pressures within their full range. Pressure adjustment beyond this range is also possible because the knob is not a limiting device. This is a common characteristic of most industrial regulators, and limiting devices may be obtained only by special design. For best performance, regulated pressure should always be set by increasing the pressure up to the desired setting.



For inventory, lead time, and kit lookup, visit [www.pdnplu.com](http://www.pdnplu.com)

K33

General

Dial

Pilot

Proportional

Precision

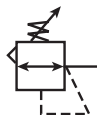
Water

**K**

Regulator  
Products

## R119 Regulators – Standard

- High flow performance featuring rugged design for the most demanding applications
- Ideal for those installations calling for constant pressure with wide variation in flow
- Diaphragm operated design with balanced poppet design for quick and accurate regulation
- Secondary aspiration plus balanced poppet provides quick response and accurate pressure regulation
- Heavy duty tee handle adjustment
- Reverse flow version available
- Panel mount version available
- 1/4", 3/8", 1/2" ports (NPT, BSPP)



Port size	Description (0-125 psig reduced pressure)	Part number
1/4"	Without gauge, relieving, NPT	<b>R119-02C</b>
1/4"	With gauge, relieving, NPT	<b>R119-02CG</b>
3/8"	Without gauge, relieving, NPT	<b>R119-03C</b>
3/8"	With gauge, relieving, NPT	<b>R119-03CG</b>
1/2"	Without gauge, relieving, NPT	<b>R119-04C</b>
1/2"	With gauge, relieving, NPT	<b>R119-04CG</b>

### Operating information

Supply pressure (max):	300 psig (0 to 20.7 bar)	
Reduced pressure range:	2 to 125 psig (0.15 to 8.5 bar)	
Operating temperature:	40°F to 125°F (4.4°C to 52°C)	
Flow capacity†:		
High flow	1/4"	100 scfm (47.2 dm³/s, ANR)
	3/8"	110 scfm (51.9 dm³/s, ANR)
	1/2"	150 scfm (70.8 dm³/s, ANR)
Gauge ports (2):	1/4 inch	
Weight:	1/4"	1.8 lb (0.82 kg)
	3/8"	1.8 lb (0.82 kg)
	1/2"	3.2 lb (1.45 kg)

† scfm = Standard cubic feet per minute at 100 psig inlet, 75 psig no flow secondary setting and 20 psig pressure drop.

### Ordering information:

R119
-
02
C

/M2

Port Threads

NPT	-
G BSPP	G

Port Size

1/4 inch	02
3/8 inch	03
1/2 inch	04

Reduced Pressure Range

0-25 psig	A
0-60 psig	B
0-125 psig	C
0-250 psig	D

Engineering Level

/M2	Current
-----	---------

Options

Blank	None
G	Gauge
K†	Non-relieving
X64**	Fluorocarbon o-rings and diaphragm
X80*	Reverse flow
X7	Brass bottom plug

\* Reverse flow for use downstream of control valves.  
 \*\* Brass bottom plug standard with X64 option.  
 † Not available with 250 psig spring.

  Most popular.



For inventory, lead times, and kit lookup, visit [www.pdnplu.com](http://www.pdnplu.com)

K34

**Parker Hannifin Corporation**  
 Pneumatic Division  
 Richland, Michigan  
[www.parker.com/pneumatics](http://www.parker.com/pneumatics)

**Material Specifications**

Adjusting screw, springs	Steel
Body, spring cage	Zinc
Bottom plug	Nylon
Innervalve	Brass
Seals	Buna N

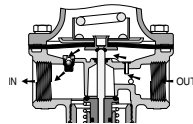
**Repair and Service Kits**

2" dial face 60 psig (0 to 4.1 bar), gauge	<b>K4520N14060</b>
2" dial face 160 psig (0 to 11.0 bar), gauge	<b>K4520N14160</b>
2" dial face 300 psig (0 to 20.7 bar), gauge	<b>K4520N14300</b>
1-3/4" digital round face 160 psig (0 to 11.0 bar), gauge	<b>K4517N14160D</b>
Mounting bracket, 1/4", 3/8"	<b>SA15Y57</b>
Mounting bracket, 1/2"	<b>18A57</b>
Panel mount conversion kit, 1/4", 3/8"	<b>4202</b>
Panel mount conversion kit, 1/2"	<b>4204</b>
Non-relieving diaphragm, valve assembly (1/4", 3/8"; all psig)	<b>RK118Y</b>
Relieving diaphragm, valve assembly (1/4", 3/8"; all psig)	<b>RK119Y</b>
Non-Relieving diaphragm, valve assembly (1/2"; 25, 60, 125 psig)	<b>RK118A</b>
Relieving diaphragm, valve assembly (1/2"; 25, 60, 125 psig)	<b>RK119A</b>
Relieving diaphragm, valve assembly (1/2"; 250 psig)	<b>RK119A250</b>
Spring cage & T-handle kit (1/4 & 3/8)	<b>RKC119Y</b>
Spring cage & insert only kit (1/2)	<b>SAC18A3/BK</b>

For fluorocarbon repair kits, add X64 to kit number suffix.

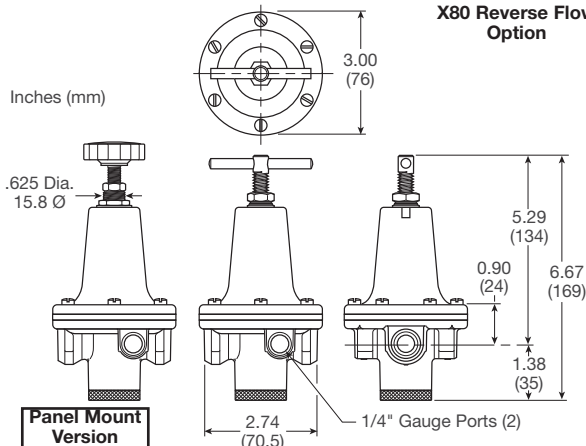
**CAUTION:**

**REGULATOR PRESSURE ADJUSTMENT** – The working range of knob adjustment is designed to permit outlet pressures within their full range. Pressure adjustment beyond this range is also possible because the knob is not a limiting device. This is a common characteristic of most industrial regulators, and limiting devices may be obtained only by special design. For best performance, regulated pressure should always be set by increasing the pressure up to the desired setting.



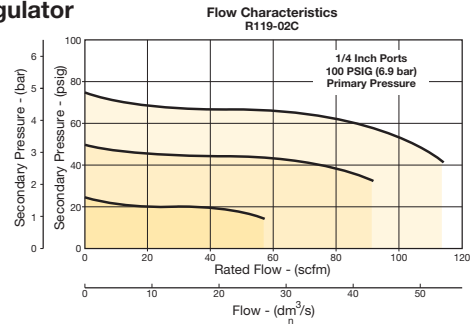
**X80 Reverse Flow Option**

**R119-02C,  
 R119-03C**

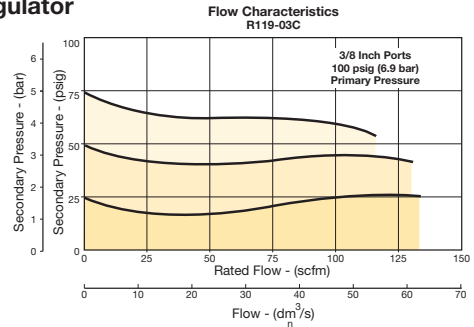


**Flow Charts**

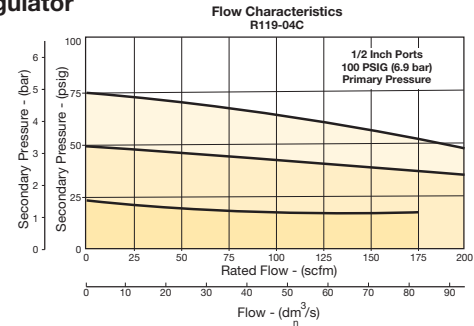
**1/4" Regulator**



**3/8" Regulator**

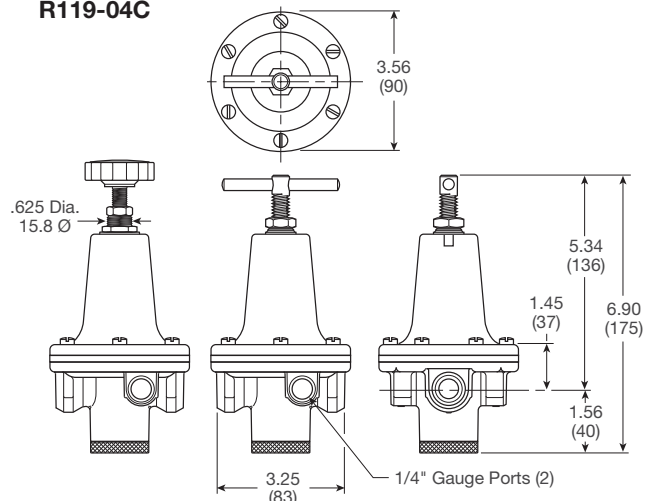


**1/2" Regulator**



**WARNING**  
 Product rupture can cause serious injury.  
 Do not connect regulator to bottled gas.  
 Do not exceed Maximum primary pressure rating.

**R119-04C**



For inventory, lead time, and kit lookup, visit [www.pdnplu.com](http://www.pdnplu.com)

K35

**Parker Hannifin Corporation**  
 Pneumatic Division  
 Richland, Michigan  
[www.parker.com/pneumatics](http://www.parker.com/pneumatics)

General

Dial

Pilot

Proportional

Precision

Water

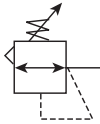
**K**

Regulator Products

Hi-Flow Regulators

R119 Regulators – Hi-Flow

- High flow performance featuring rugged design for the most demanding applications
- Ideal for those installations calling for constant pressure with wide variation in flow
- Diaphragm operated design with balanced poppet design for quick and accurate regulation
- Secondary aspiration plus balanced poppet provides quick response and accurate pressure regulation
- Heavy duty tee handle adjustment
- Reverse flow version available
- 3/4", 1", 1-1/2" ports (NPT, BSPP)



Port size	Description (0-125 psig reduced pressure)	Part number
3/4"	Without gauge, relieving, NPT	<b>R119-06C</b>
3/4"	With gauge, relieving, NPT	<b>R119-06CG</b>
1"	Without gauge, relieving, NPT	<b>R119-08C</b>
1"	With gauge, relieving, NPT	<b>R119-08CG</b>
1-1/2"	Without gauge, relieving, NPT	<b>R119-12C</b>
1-1/2"	With gauge, relieving, NPT	<b>R119-12CG</b>

Operating information

Supply pressure (max):	300 psig (0 to 20.7 bar)	
Reduced pressure range:	2 to 125 psig (0.15 to 8.5 bar)	
Operating temperature:	40°F to 125°F (4.4°C to 52°C)	
Flow capacity†:		
High flow	3/4"	300 scfm (141.6 dm³/s, ANR)
	1"	400 scfm (188.8 dm³/s, ANR)
	1-1/2"	500 scfm (236 dm³/s, ANR)
Gauge ports (2):	1/4 inch	
Weight:	3/4"	6.2 lb (2.81 kg)
	1"	6.2 lb (2.81 kg)
	1-1/2"	7.2 lb (3.27 kg)

† scfm = Standard cubic feet per minute at 100 psig inlet, 75 psig no flow secondary setting and 20 psig pressure drop.

Ordering information:

**R119**

Port Threads
NPT
G BSPP

**-**

Port Size
3/4 inch
1 inch
1-1/2 inch

**06**

Reduced Pressure Range
0-125 psig
0-250 psig

**C**

**/\*\***

Engineering Level
** Will be entered at Factory

**Options**

Blank	None
G	Gauge
K	Non-relieving
X64**	Fluorocarbon o-rings and diaphragm
X80*	Reverse flow

\* Reverse flow for use downstream of control valves.  
\*\* Brass bottom plug standard with X64 option.

Most popular.



For inventory, lead times, and kit lookup, visit [www.pdnplu.com](http://www.pdnplu.com)

K36

**Parker Hannifin Corporation**  
Pneumatic Division  
Richland, Michigan  
[www.parker.com/pneumatics](http://www.parker.com/pneumatics)



**Hi-Flow Regulators**

**Material Specifications**

Adjusting screw, springs	Steel
Body, spring cage	Zinc
Bottom plug	Nylon
Innervalve	Brass
Seals	Buna N

**Repair and Service Kits**

2" dial face 60 psig (0 to 4.1 bar), gauge	<b>K4520N14060</b>
2" dial face 160 psig (0 to 11.0 bar), gauge	<b>K4520N14160</b>
2" dial face 300 psig (0 to 20.7 bar), gauge	<b>K4520N14300</b>
1-3/4" digital round face 160 psig (0 to 11.0 bar), gauge	<b>K4517N14160D</b>
Mounting bracket kit	<b>18B57</b>
Non-relieving diaphragm, valve assembly (3/4", 1")	<b>RK118B</b>
Non-relieving diaphragm, valve assembly (1-1/2")	<b>RK118D</b>
Relieving diaphragm, valve assembly (3/4", 1")	<b>RK119B</b>
Relieving diaphragm, valve assembly (1-1/2")	<b>RK119D</b>

For Fluorocarbon Repair Kits, add X64 to kit number suffix.

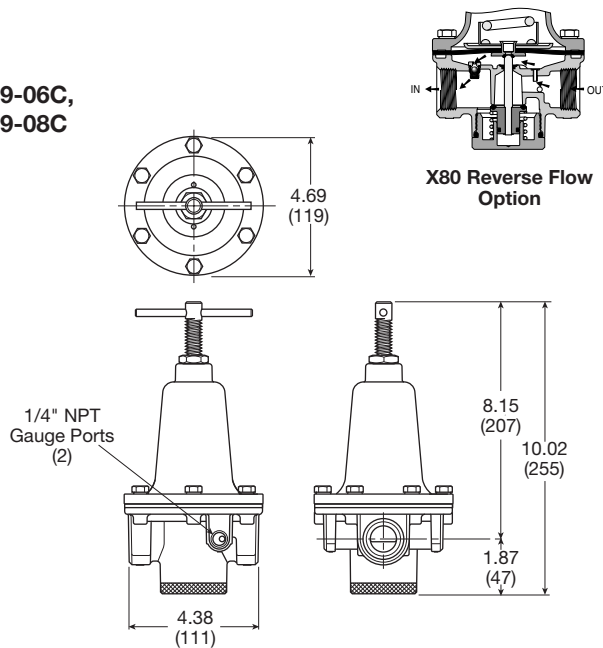
**WARNING**

**Product rupture can cause serious injury.  
Do not connect regulator to bottled gas.  
Do not exceed Maximum primary pressure rating.**

**CAUTION:**

**REGULATOR PRESSURE ADJUSTMENT** – The working range of knob adjustment is designed to permit outlet pressures within their full range. Pressure adjustment beyond this range is also possible because the knob is not a limiting device. This is a common characteristic of most industrial regulators, and limiting devices may be obtained only by special design. For best performance, regulated pressure should always be set by increasing the pressure up to the desired setting.

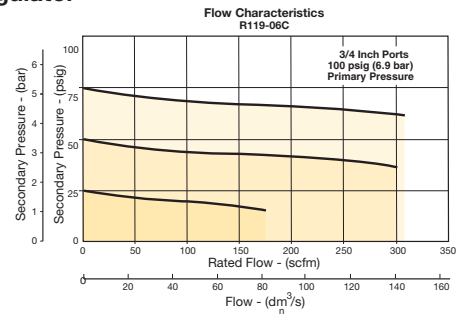
**R119-06C,  
R119-08C**



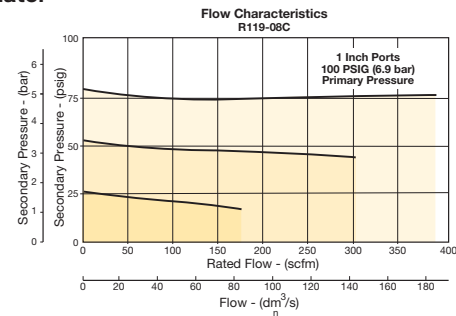
Inches (mm)

**Flow Charts**

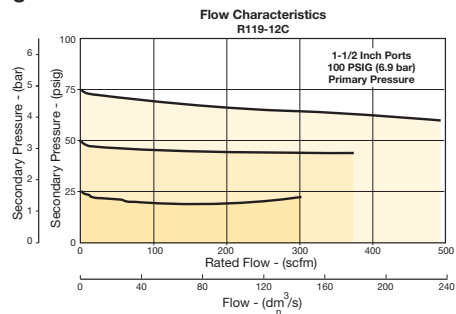
**3/4" Regulator**



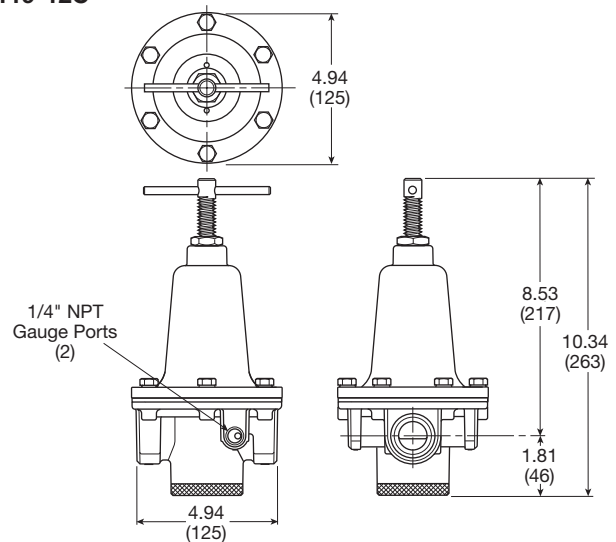
**1" Regulator**



**1-1/2" Regulator**



**R119-12C**



General

Dial

Pilot

Proportional

Precision

Water

**K**

Regulator  
Products



For inventory, lead time, and kit lookup, visit [www.pdnplu.com](http://www.pdnplu.com)

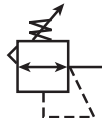
K37

**Parker Hannifin Corporation**  
Pneumatic Division  
Richland, Michigan  
[www.parker.com/pneumatics](http://www.parker.com/pneumatics)

**Semi-Precision Regulators**

**R216 Semi-Precision Regulators**

- High flow performance featuring rugged design for the most demanding applications
- Ideal for those installations calling for constant pressure with wide variation in flow
- Diaphragm operated with large surface area and aspirator for quick and precise regulation
- Heavy duty tee handle adjustment
- Panel mount version available
- 1/4", 3/8" ports (NPT BSPP)



Port size	Description (Relieving Type)	Part number
1/4"	Tee Handle, Without Gauge, NPT	<b>R216-02F</b>
1/4"	Hand Wheel Knob, Without Gauge, NPT	<b>R216-02FP</b>
3/8"	Tee Handle, Without Gauge, NPT	<b>R216-03F</b>
3/8"	Hand Wheel Knob, Without Gauge, NPT	<b>R216-03FP</b>

**Operating information**

Supply pressure:	300 psig (20.7 bar)
Reduced pressure range:	0.5 to 20 psig (0.03 to 1.4 bar)
Operating temperature:	40°F to 125°F (4.4°C to 52°C)
Flow capacity†:	40 scfm (19.3 dm³/s, ANR)
Gauge ports (1):	1/8 inch
Weight:	2.2 lb (100 kg)

† scfm = Standard cubic feet per minute at 100 psig inlet, 75 psig no flow secondary setting and 20 psig pressure drop.

**Ordering information:**

**R216 - 02 F [ ] /\***

Port Threads	
NPT	-
BSPP	G

Pressure Range	
1/4 inch	02
3/8 inch	03

Reduced Pressure Range	
0 to 8 psig (0.6 bar)	E
0 to 20 psig (1.4 bar)	F
0 to 50 psig (3.4 bar)	H

Engineering Level	
Will be entered at factory.	

Options	
K	Non-relieving
P	Panel mount with nut

☐ Most popular.



For inventory, lead times, and kit lookup, visit [www.pdnplu.com](http://www.pdnplu.com)

K38

**Parker Hannifin Corporation**  
Pneumatic Division  
Richland, Michigan  
[www.parker.com/pneumatics](http://www.parker.com/pneumatics)

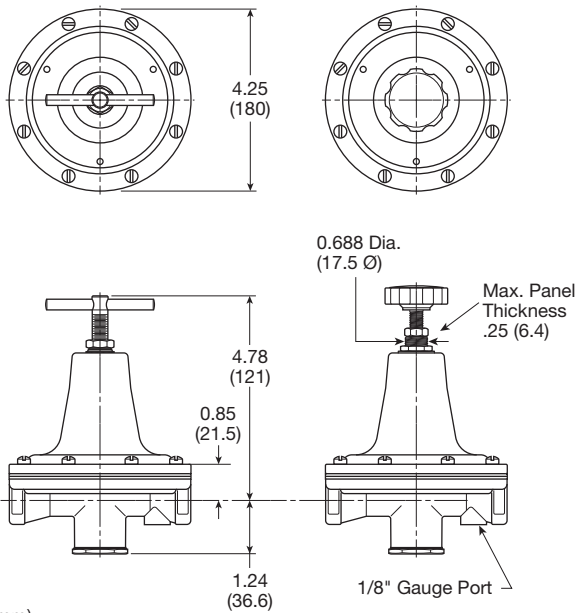
## Semi-Precision Regulators

### Material Specifications

Body, spring cage	Zinc
Bottom plug	Brass
Seals	Buna N

### Repair and Service Kits

Round plastic knob	<b>118Y51</b>
Panel mount conversion kit (Spring cage, knob, hardware)	<b>4206</b>
Non-relieving diaphragm, valve assembly (1/4", 3/8")	<b>RK216KY</b>
Relieving diaphragm, valve assembly (1/4", 3/8")	<b>RK216Y</b>

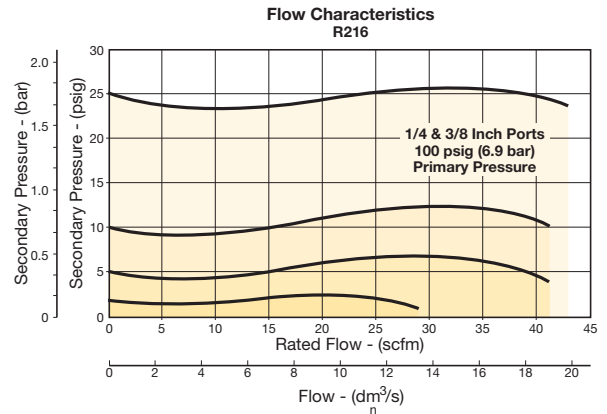


Inches (mm)

## Air Preparation Products Regulator Products

### Flow Charts

#### R216 1/4" & 3/8" Regulator



**WARNING**

Product rupture can cause serious injury.  
Do not connect regulator to bottled gas.  
Do not exceed Maximum primary pressure rating.

**CAUTION:**  
**REGULATOR PRESSURE ADJUSTMENT** – The working range of knob adjustment is designed to permit outlet pressures within their full range. Pressure adjustment beyond this range is also possible because the knob is not a limiting device. This is a common characteristic of most industrial regulators, and limiting devices may be obtained only by special design. For best performance, regulated pressure should always be set by increasing the pressure up to the desired setting.

General

Dial

Pilot

Proportional

Precision

Water

**K**

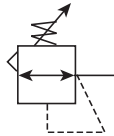
Regulator  
Products



For inventory, lead time, and kit lookup, visit [www.pdnplu.com](http://www.pdnplu.com)

## 09R Regulators – Hi-Flow

- Piston design for reduced downtime
- High flow
- Balanced poppet for quick and accurate regulation.
- Two full flow 1/4" gauge ports which can be used as additional outlets
- Self relieving piston standard
- 2" ports (NPT)



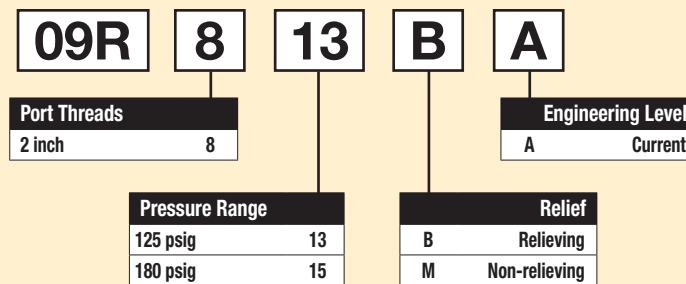
Port size	Description	Part number
2"	Without gauge, relieving	<b>09R813BA</b>

### Operating information

Supply pressure (max):	300 psig (0 to 20.7 bar)
Secondary pressure range:	10 to 125 psig (0.7 to 8.6 bar) 10 to 180 psig (0.7 to 12.4 bar)
Operating temperature:	32°F to 150°F (0°C to 65.6°C)
Flow capacity†:	
High flow	1000 scfm (472 dm³/s, ANR)
Gauge ports (2):	1/4 inch (can be used as additional full flow 1/4 inch outlet ports)
Weight:	10.82 lb (53 kg)

† scfm = Standard cubic feet per minute at 100 psig inlet, 90 psig no flow secondary setting and 10 psig pressure drop.

### Ordering information:



Most popular.



For inventory, lead times, and kit lookup, visit [www.pdnplu.com](http://www.pdnplu.com)

K40

**Parker Hannifin Corporation**  
 Pneumatic Division  
 Richland, Michigan  
[www.parker.com/pneumatics](http://www.parker.com/pneumatics)

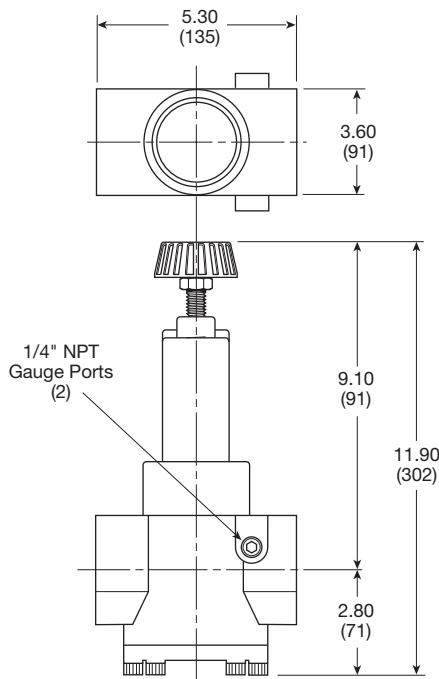
# Hi-Flow Regulators

## Material Specifications

Adjusting stem & springs	Steel
Body	Zinc Alloy
Bonnet, piston stem, valve poppet & cap	Aluminum
Piston, cap	Plastic
Seals	Nitrile

## Repair and Service Kits

Body service kit	<b>PS603P</b>
2" dial face 160 psig (0 to 11.0 bar), gauge	<b>K4520N14160</b>
2" dial face 300 psig (0 to 20.7 bar), gauge	<b>K4520N14300</b>
1-3/4" digital round face 160 psig (0 to 11.0 bar), gauge	<b>K4517N14160D</b>
Mounting bracket kit	<b>PS605P</b>
Non-relieving	<b>PS604P</b>
Relieving	<b>PS626P</b>
0 to 125 psig spring	<b>PS602P</b>
0 to 180 psig spring	<b>PS627</b>

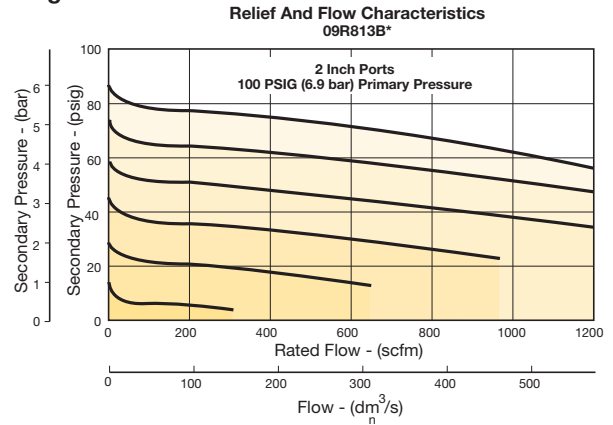


Inches (mm)

# Air Preparation Products Regulator Products

## Flow Charts

### 2" Regulator



**⚠ WARNING**

**Product rupture can cause serious injury.  
Do not connect regulator to bottled gas.  
Do not exceed Maximum primary pressure rating.**

### CAUTION:

**REGULATOR PRESSURE ADJUSTMENT** – The working range of knob adjustment is designed to permit outlet pressures within their full range. Pressure adjustment beyond this range is also possible because the knob is not a limiting device. This is a common characteristic of most industrial regulators, and limiting devices may be obtained only by special design. For best performance, regulated pressure should always be set by increasing the pressure up to the desired setting.



For inventory, lead time, and kit lookup, visit [www.pdnplu.com](http://www.pdnplu.com)

K41

**Parker Hannifin Corporation**  
Pneumatic Division  
Richland, Michigan  
[www.parker.com/pneumatics](http://www.parker.com/pneumatics)

General

Dial

Pilot

Proportional

Precision

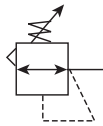
Water

**K**

Regulator  
Products

## 51R Regulators – Relieving

- Pressure reference indicating dial face
- Non-rising, pressure-adjustment dial
- Self-relieving
- Full pressure adjustment in less than one full turn
- Recommended for pilot-air applications
- Constant bleed, piston operated
- 1/4" port (NPT, BSPP)



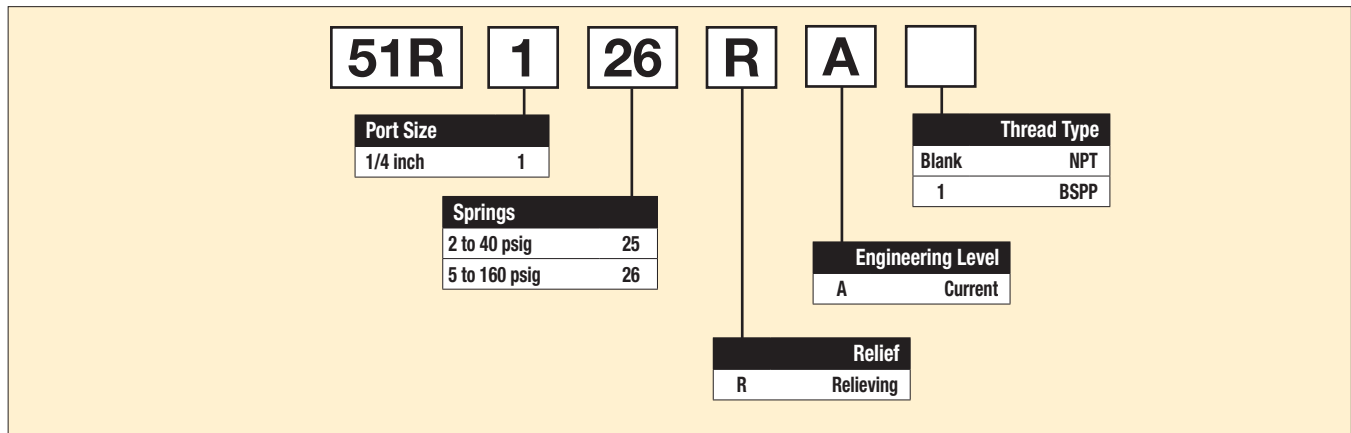
Port size	Description	Part number
1/4"	Standard pressure 5 to 160 psig (0.34 to 11 bar)	<b>51R126RA</b>
1/4"	Low pressure 2 to 40 psig (0.14 to 3 bar)	<b>51R125RA</b>

### Operating information

Adjusting pressure range:	2 to 40 psig (0 to 2.8 bar) 5 to 160 psig (0 to 11.0 bar)
Bleed Rate:	0.05 scfm (0.02 dm <sup>3</sup> /s, ANR)
Operating temperature (max):	32°F to 150°F (0°C to 65.6°C)
Supply pressure (max):	300 psig (20.7)
Flow capacity <sup>†</sup> :	0.7 scfm (0.3 dm <sup>3</sup> /s, ANR)
Weight:	1.3 lb (0.5 kg)

<sup>†</sup> scfm = Inlet pressure 100 psig (6.9 bar) inlet. Secondary pressure 90 psig (6.2 bar).

### Ordering information:



Most popular.



For inventory, lead times, and kit lookup, visit [www.pdnplu.com](http://www.pdnplu.com)

K42

**Parker Hannifin Corporation**  
Pneumatic Division  
Richland, Michigan  
[www.parker.com/pneumatics](http://www.parker.com/pneumatics)

## Semi-Precision Regulators

### Material Specifications

Body	Zinc
Bonnet	Zinc / brass
Piston	Acetal
Seals	Nitrile
Springs	Steel
Valve assembly	Brass / nitrile / acetal

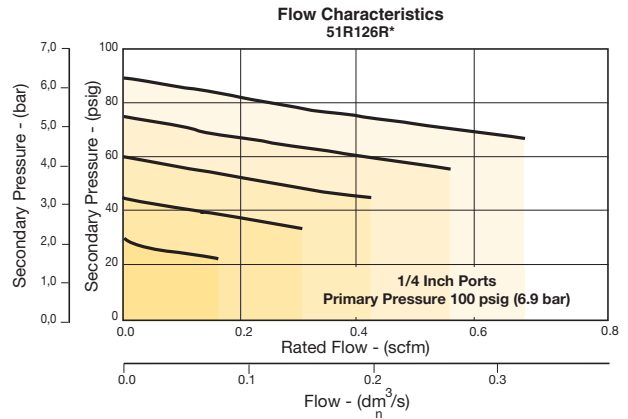
### Repair and Service Kits

Adjustment dial knob	<b>RRP-16-024</b>
O-ring, repair kit	<b>GRP-95-260</b>
Piston and bonnet repair kit	<b>RRP-95-765</b>
Spring, regulation, belleville washer, 2 to 40 psig (2.8 bar)	<b>RRP-95-906</b>
Spring, regulation, belleville washer, 5 to 160 psig (11.0 bar)	<b>RRP-95-905</b>
Tamper resistant kit	<b>RRP-95-585</b>
Valve, pilot with o-ring and valve spring	<b>RRP-96-934</b>

## Air Preparation Products Regulator Products

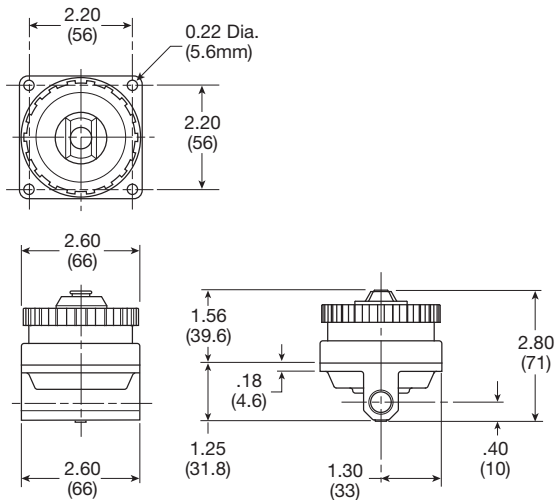
### Flow Charts

#### 51R 1/4" Regulator



**WARNING**

Product rupture can cause serious injury.  
Do not connect regulator to bottled gas.  
Do not exceed Maximum primary pressure rating.



Inches (mm)

General

Dial

Pilot

Proportional

Precision

Water

**K**

Regulator Products



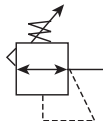
For inventory, lead time, and kit lookup, visit [www.pdnplu.com](http://www.pdnplu.com)

K43

**Parker Hannifin Corporation**  
Pneumatic Division  
Richland, Michigan  
[www.parker.com/pneumatics](http://www.parker.com/pneumatics)

**52R Regulators – Relieving**

- Balanced poppet design
- Non-rising, pressure-adjusting dial
- High-relief flow (3/16" relief orifice)
- Two 1/4" gauge ports
- Constant bleed, piston operated
- 1/4", 3/8", 1/2", 3/4" ports (NPT, BSPP)



Port size	Description	Part number
1/4"	Standard pressure 5 to 160 psig (0.34 to 11 bar)	<b>52R126RA</b>
1/4"	Low pressure 2 to 40 psig (0.14 to 3 bar)	<b>52R125RA</b>
3/8"	Standard pressure 5 to 160 psig (0.34 to 11 bar)	<b>52R226RA</b>
3/8"	Low pressure 2 to 40 psig (0.14 to 3 bar)	<b>52R225RA</b>
1/2"	Standard pressure 5 to 160 psig (0.34 to 11 bar)	<b>52R326RA</b>
1/2"	Low pressure 2 to 40 psig (0.14 to 3 bar)	<b>52R325RA</b>
3/4"	Standard pressure 5 to 160 psig (0.34 to 11 bar)	<b>52R426RA</b>
3/4"	Low pressure 2 to 40 psig (0.14 to 3 bar)	<b>52R425RA</b>

**Operating information**

Adjusting pressure range:	2 to 40 psig (0 to 2.8 bar) 5 to 160 psig (0 to 11.0 bar)
Bleed Rate:	0.05 scfm (0.02 dm <sup>3</sup> /s, ANR)
Operating temperature (max):	32°F to 150°F (0°C to 65.6°C)
Supply pressure (max):	300 psig (20.7)
Flow capacity <sup>†</sup> :	1/4" 117 scfm (55.2 dm <sup>3</sup> /s, ANR) 3/8" 180 scfm (85 dm <sup>3</sup> /s, ANR) 1/2" 195 scfm (92 dm <sup>3</sup> /s, ANR) 3/4" 220 scfm (103.8 dm <sup>3</sup> /s, ANR)
Gauge ports:	Two ports 1/4" (can be used as additional high flow 1/4 inch outlet ports)
Weight:	2.3 lb (1.04 kg)

<sup>†</sup> scfm = Inlet pressure 100 psig (6.9 bar) inlet. Secondary pressure 90 psig (6.2 bar).

**Ordering information:**

**52R 1 26 R A**

Port Size	Value
1/4 inch	1
3/8 inch	2
1/2 inch	3
3/4 inch	4

Thread Type	Value
Blank	NPT
1	BSPP

Springs	Value
2 to 40 psig	25
5 to 160 psig	26

Engineering Level	Value
A	Current

Relief	Value
R	Relieving

☐ Most popular.



For inventory, lead times, and kit lookup, visit [www.pdnplu.com](http://www.pdnplu.com)

K44

**Parker Hannifin Corporation**  
Pneumatic Division  
Richland, Michigan  
[www.parker.com/pneumatics](http://www.parker.com/pneumatics)



**Material specifications**

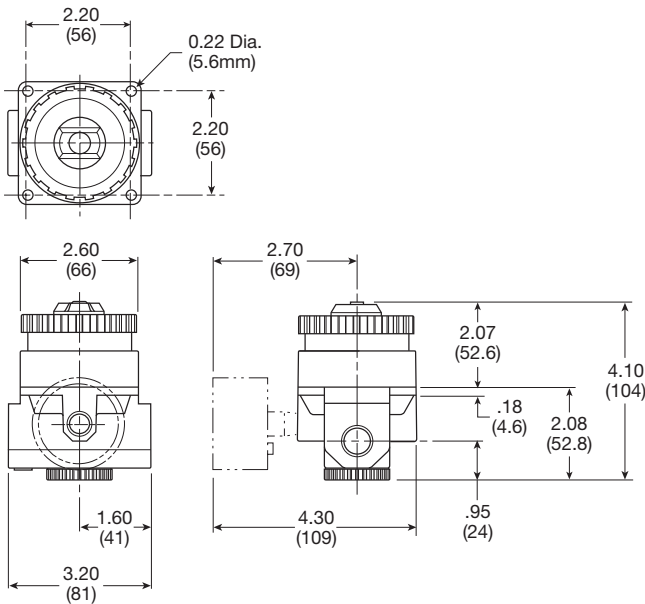
Body	Zinc
Bonnet	Zinc / brass
Piston	Acetal
Seals	Nitrile
Springs	Steel
Valve assembly	Brass / nitrile / acetal

**Repair and Service Kits**

Adjustment dial knob	<b>RRP-16-024</b>
O-ring, repair kit	<b>GRP-95-260</b>
Piston bottom and o-ring seal	<b>RRP-95-192</b>
Pistons and bonnet repair kit	<b>RRP-95-766</b>
Spring, regulation, belleville washer – 2 to 40 psig range	<b>RRP-95-906</b>
Spring, regulation, belleville washer – 5 to 160 psig range	<b>RRP-95-905</b>
Tamper resistant kit	<b>RRP-95-585</b>
Valve, main with U-cup seal & bottom plug	<b>RRP-95-914</b>
Valve, main with U-cup seal	<b>RRP-95-151</b>
Valve, pilot with o-ring and valve spring	<b>RRP-96-934</b>

**WARNING**

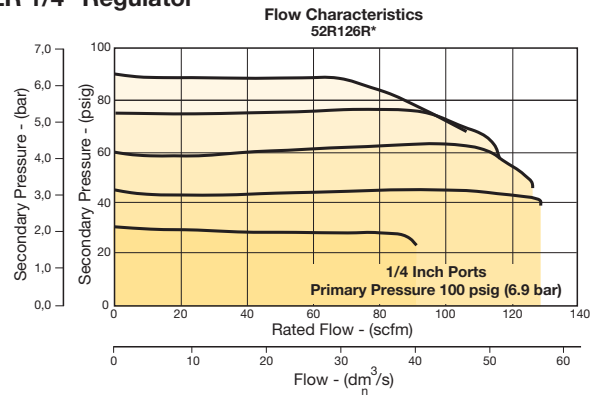
Product rupture can cause serious injury.  
Do not connect regulator to bottled gas.  
Do not exceed Maximum primary pressure rating.



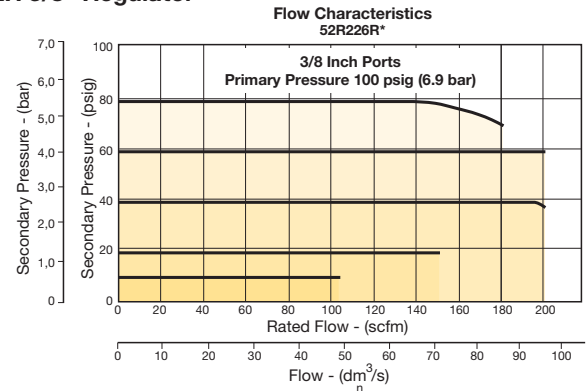
Inches (mm)

**Flow Charts**

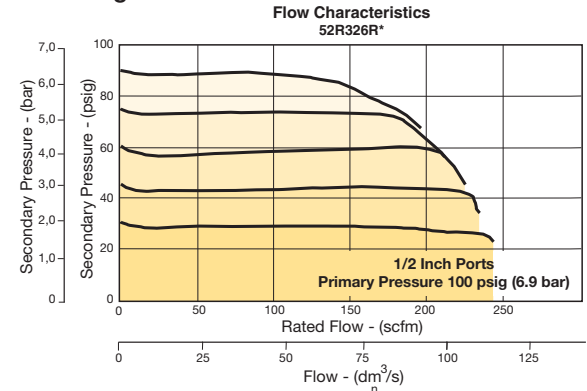
**52R 1/4" Regulator**



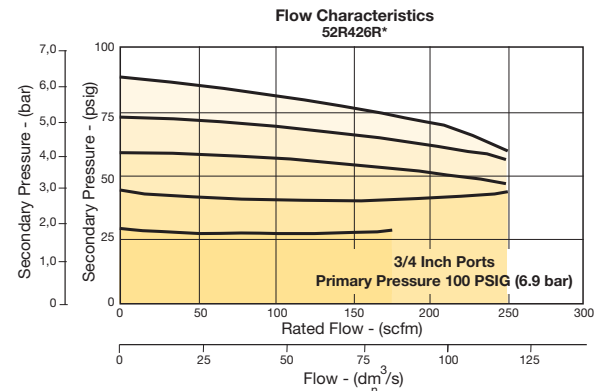
**52R 3/8" Regulator**



**52R 1/2" Regulator**



**52R 3/4" Regulator**



General

Dial

Pilot

Proportional

Precision

Water

**K**

Regulator Products



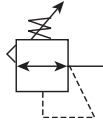
For inventory, lead time, and kit lookup, visit [www.pdnplu.com](http://www.pdnplu.com)

K45

**Parker Hannifin Corporation**  
Pneumatic Division  
Richland, Michigan  
[www.parker.com/pneumatics](http://www.parker.com/pneumatics)

**53R Regulators – Relieving**

- Balanced poppet design
- Non-rising, pressure-adjusting dial
- High-relief flow (3/16" relief orifice)
- Two 1/4" gauge ports
- Constant bleed, piston operated
- 3/4", 1", 1-1/4" ports (NPT, BSPP)



Port size	Description	Part number
3/4"	Standard pressure 5 to 160 psig (0.34 to 11 bar)	<b>53R426RA</b>
3/4"	Low pressure 2 to 40 psig (0.14 to 3 bar)	<b>53R425RA</b>
1"	Standard pressure 5 to 160 psig (0.34 to 11 bar)	<b>53R526RA</b>
1"	Low pressure 2 to 40 psig (0.14 to 3 bar)	<b>53R525RA</b>
1-1/4"	Standard pressure 5 to 160 psig (0.34 to 11 bar)	<b>53R626RA</b>
1-1/4"	Low pressure 2 to 40 psig (0.14 to 3 bar)	<b>53R625RA</b>

**Operating information**

Adjusting pressure range:	2 to 40 psig (0 to 2.8 bar) 5 to 160 psig (0 to 11.0 bar)
Bleed Rate:	0.05 scfm (0.02 dm <sup>3</sup> /s, ANR)
Operating temperature (max):	32°F to 150°F (0°C to 65.6°C)
Supply pressure (max):	300 psig (20.7)
Flow capacity <sup>†</sup> :	3/4" 400 scfm (188.8 dm <sup>3</sup> /s, ANR) 1" 650 scfm (306.8 dm <sup>3</sup> /s, ANR) 1-1/4" 700 scfm (330.4 dm <sup>3</sup> /s, ANR)
Gauge ports:	Two ports 1/4" (can be used as additional high flow 1/4 inch outlet ports)
Weight:	2.3 lb (1.04 kg)
<sup>†</sup> scfm = Inlet pressure 100 psig (6.9 bar) inlet. Secondary pressure 80 psig (5.5 bar).	

**Ordering information:**

<b>53R</b>	<b>4</b>	<b>26</b>	<b>R</b>	<b>A</b>	<b>Blank</b>
<b>Port Size</b>	<b>Springs</b>	<b>Engineering Level</b>	<b>Relief</b>	<b>Thread Type</b>	
3/4 inch 4	2 to 40 psig 25	A Current	R Relieving	Blank NPT	
1 inch 5	5 to 160 psig 26			1 BSPP	
1-1/4 inch 6					

Most popular.



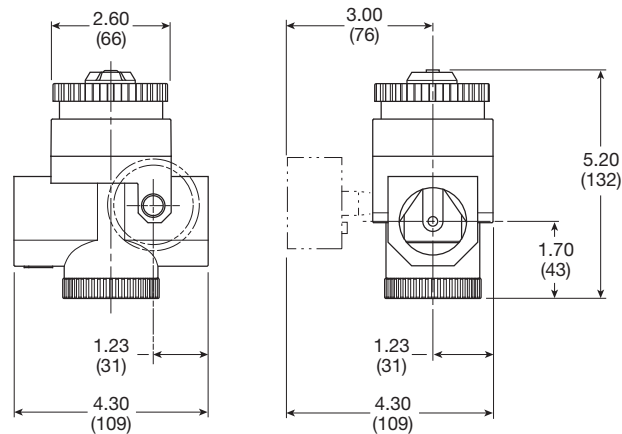
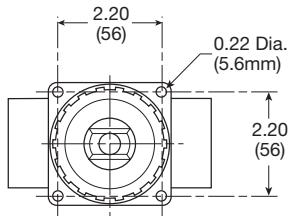
For inventory, lead times, and kit lookup, visit [www.pdnplu.com](http://www.pdnplu.com)

**Material Specifications**

Body	Zinc
Bonnet	Zinc / brass
Piston	Acetal
Seals	Nitrile
Springs	Steel
Valve assembly	Brass / nitrile / acetal

**Repair and Service Kits**

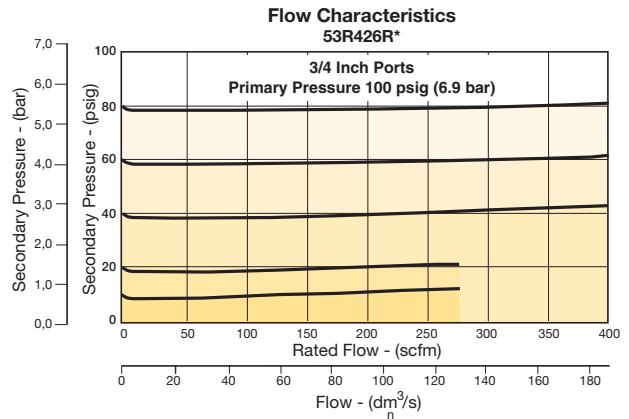
Adjustment dial knob	<b>RRP-16-024</b>
O-ring, repair kit	<b>GRP-95-261</b>
Piston, bottom and o-ring seal	<b>RRP-95-192</b>
Pistons and bonnet repair kit	<b>RRP-95-766</b>
Spring, regulation, Belleville washer – 2 to 40 psig range	<b>RRP-95-906</b>
Spring, regulation, Belleville washer – 5 to 160 psig range	<b>RRP-95-905</b>
Tamper resistant kit	<b>RRP-95-585</b>
Valve, main with o-ring seal	<b>RRP-95-152</b>
Valve, pilot with o-ring and valve spring	<b>RRP-96-935</b>



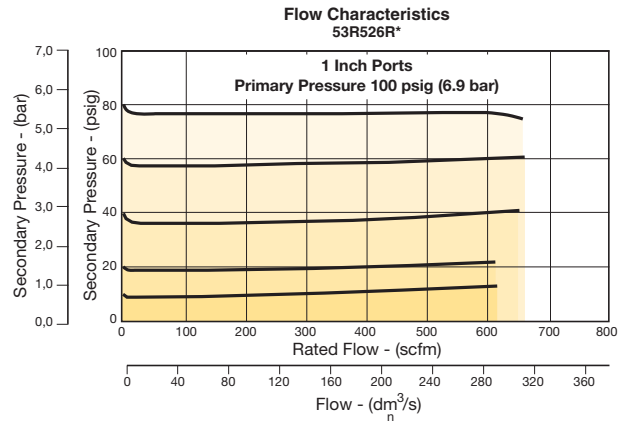
Inches (mm)

**Flow Charts**

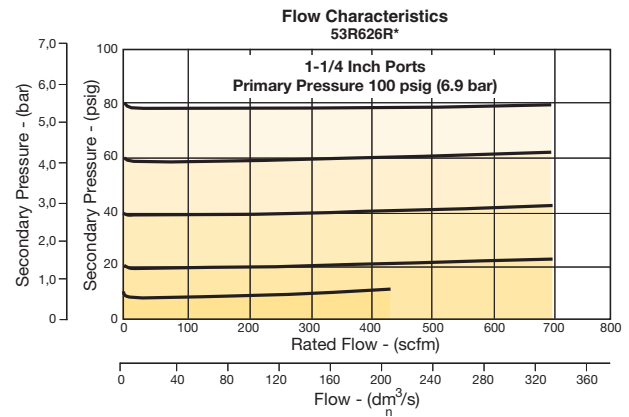
**53R 3/4" Regulator**



**53R 1" Regulator**



**53R 3/4-1 1/4" Regulator**



**⚠ WARNING**

**Product rupture can cause serious injury.  
Do not connect regulator to bottled gas.  
Do not exceed Maximum primary pressure rating.**

General

Dial

Pilot

Proportional

Precision

Water

**K**

Regulator Products



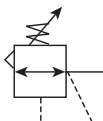
For inventory, lead time, and kit lookup, visit [www.pdnplu.com](http://www.pdnplu.com)

K47

**Parker Hannifin Corporation**  
Pneumatic Division  
Richland, Michigan  
[www.parker.com/pneumatics](http://www.parker.com/pneumatics)

## 54R Regulators – Relieving

- Balanced poppet design
- Non-rising, pressure-adjusting dial
- High-relief flow (3/16" relief orifice)
- Two 1/4" gauge ports
- Constant bleed, piston operated
- 1-1/2", 2" ports (NPT, BSPP)



Port size	Description	Part number
1-1/2"	Standard pressure 5 to 160 psig (0.34 to 11 bar)	<b>54R726RA</b>
1-1/2"	Low pressure 2 to 40 psig (0.14 to 3 bar)	<b>54R725RA</b>
2"	Standard pressure 5 to 160 psig (0.34 to 11 bar)	<b>54R826RA</b>
2"	Low pressure 2 to 40 psig (0.14 to 3 bar)	<b>54R825RA</b>

### Operating information

Adjusting pressure range:	2 to 40 psig (0 to 2.8 bar) 5 to 160 psig (0 to 11.0 bar)
Bleed Rate:	0.05 scfm (0.02 dm <sup>3</sup> /s, ANR)
Operating temperature (max):	32°F to 150°F (0°C to 65.6°C)
Supply pressure (max):	300 psig (20.7)
Flow capacity <sup>†</sup> :	1-1/2" 1,600 scfm (755 dm <sup>3</sup> /s, ANR) 2" 1,600 scfm (755 dm <sup>3</sup> /s, ANR)
Gauge ports:	Two ports 1/4" (can be used as additional high flow 1/4 inch outlet ports)
Weight:	9 lb (4.1 kg)
<sup>†</sup> scfm = Inlet pressure 100 psig (6.9 bar) inlet. Secondary pressure 80 psig (5.5 bar).	

### Ordering information:

<b>54R</b>	<b>7</b>	<b>26</b>	<b>R</b>	<b>A</b>	<b>Blank</b>
<b>Port Size</b>					<b>Thread Type</b>
1-1/2 inch	7				Blank NPT
2 inch	8				1 BSPP
		<b>Springs</b>		<b>Engineering Level</b>	
		2 to 40 psig	25	A	Current
		5 to 160 psig	26		
				<b>Relief</b>	
				R	Relieving

Most popular.



For inventory, lead times, and kit lookup, visit [www.pdnplu.com](http://www.pdnplu.com)

K48

**Parker Hannifin Corporation**  
Pneumatic Division  
Richland, Michigan  
[www.parker.com/pneumatics](http://www.parker.com/pneumatics)

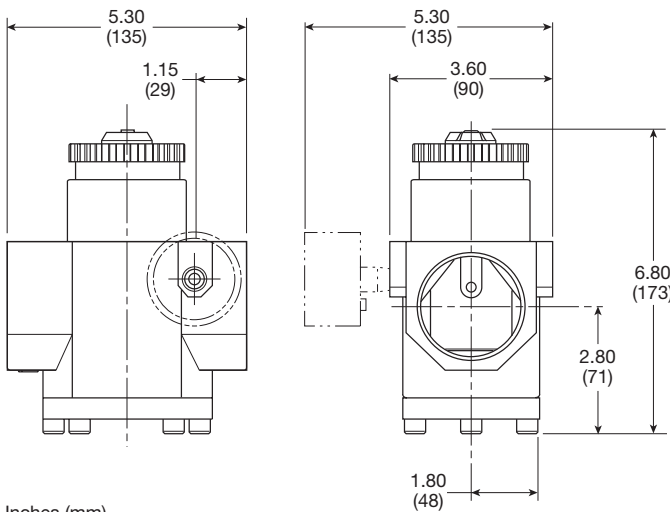
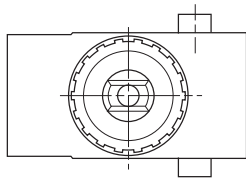
## Semi-Precision Regulators

### Material Specifications

Body	Zinc
Bonnet	Zinc / brass
Piston	Zinc
Seals	Nitrile
Springs	Steel
Valve assembly	Brass / nitrile / acetal

### Repair and Service Kits

Adjustment dial knob	<b>RRP-16-024</b>
O-ring, repair kit	<b>GRP-95-262</b>
Piston, bottom and o-ring seal	<b>RRP-95-192</b>
Pistons and bonnet repair kit	<b>RRP-95-766</b>
Spring, regulation, Belleville washer – 2 to 40 psig range	<b>RRP-95-906</b>
Spring, regulation, Belleville washer – 5 to 160 psig range	<b>RRP-95-905</b>
Spring, main valve	<b>RRP-95-024</b>
Tamper resistant kit	<b>RRP-95-585</b>
Valve, main with o-ring seal	<b>RRP-95-153</b>
Valve, pilot with o-ring and valve spring	<b>RRP-96-935</b>

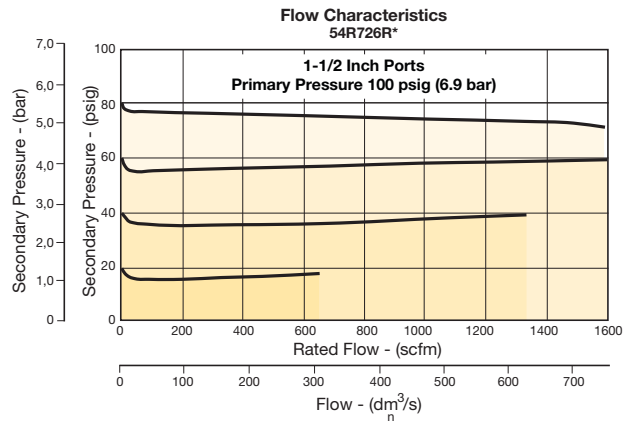


Inches (mm)

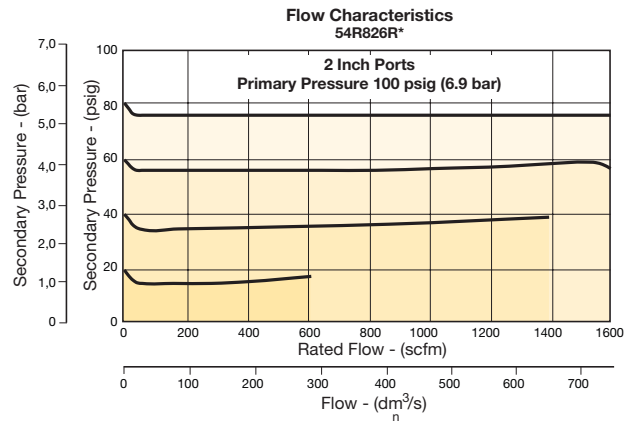
## Air Preparation Products Regulator Products

### Flow Charts

#### 54R 1-1/2" Regulator



#### 54R 2" Regulator



**WARNING**  
Product rupture can cause serious injury.  
Do not connect regulator to bottled gas.  
Do not exceed Maximum primary pressure rating.

General

Dial

Pilot

Proportional

Precision

Water

**K**

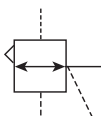
Regulator  
Products



For inventory, lead time, and kit lookup, visit [www.pdnplu.com](http://www.pdnplu.com)

## 11R Pilot Controlled Regulator – Compact

- Balanced poppet provides quick response and accurate pressure regulation
- Pilot controlled regulators can be mounted “out of reach” with pilot regulator installed in a convenient location
- Solid control piston for extended life
- Two full flow 1/4" gauge ports can be used as additional outlets
- Pilot port 1/4 Inch
- 1/4", 3/8", 1/2" ports (NPT, BSPP)



Port size	Description	Part number
1/4"	Without gauge	<b>11R115PC</b>
1/4"	With 160 psi gauge	<b>11R121PC</b>
3/8"	Without gauge	<b>11R215PC</b>
3/8"	With 160 psi gauge	<b>11R221PC</b>
1/2"	Without gauge	<b>11R315PC</b>
1/2"	With 160 psi gauge	<b>11R321PC</b>

NOTE: 2.0 Dia. (51 mm) hole required for panel mounting.

### Operating information

Supply pressure (max):	0 to 250 psig (0 to 17.2 bar)	
Operating temperature:	32°F to 175°F (0°C to 80°C)	
Flow capacity†:		
High flow	1/4"	85 scfm (40 dm³/s, ANR)
	3/8"	95 scfm (44.8 dm³/s, ANR)
	1/2"	95 scfm (44.8 dm³/s, ANR)
Gauge ports (2):	1/4 inch (can be used as additional full flow 1/4 inch outlet ports)	
Weight:	1.3 lb (0.53 kg)	

† scfm = Standard cubic feet per minute at 100 psig inlet, 90 psig no flow secondary setting and 10 psig pressure drop.

### Ordering information:

**11R**

Port Threads	
1/4 inch	1
3/8 inch	2
1/2 inch	3

**2**

Relief / Gauge Options	
Without gauge	
Non-relieving piston	14
Relieving piston	15
With gauge *	
Non-relieving piston	19
Relieving piston	21

\* Includes 2" dial face gauge 0 to 300 psig.

**15**

**P**

Adjustment	
P	Pilot operated

**C**

Engineering Level	
C	Current

**Port Type**

Blank	NPT
1	BSPP

  Most popular.



For inventory, lead times, and kit lookup, visit [www.pdnplu.com](http://www.pdnplu.com)

K50

**Parker Hannifin Corporation**  
Pneumatic Division  
Richland, Michigan  
[www.parker.com/pneumatics](http://www.parker.com/pneumatics)

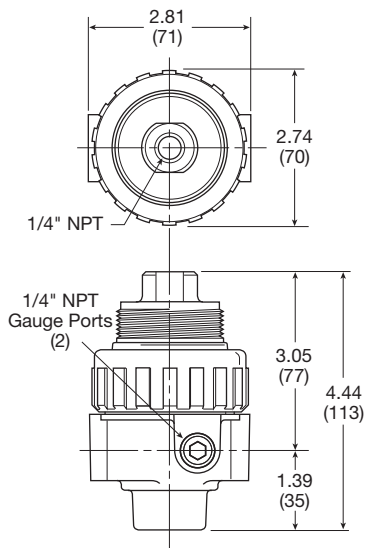
## Compact Pilot Controlled Regulators

### Material Specifications

Body & pilot cap	Zinc
Piston, valve poppet, & collar	Plastic
Seals	Nitrile
Springs	Steel

### Repair and Service Kits

Seat Insert kit	<b>PS713P</b>
2" dial face 60 psig (0 to 4.1 bar), gauge	<b>K4520N14060</b>
2" dial face 160 psig (0 to 11.0 bar), gauge	<b>K4520N14160</b>
2" dial face 300 psig (0 to 20.7 bar), gauge	<b>K4520N14300</b>
1-3/4" digital round face 160 psig (0 to 11.0 bar), gauge	<b>K4517N14160D</b>
Mounting bracket kit (includes panel mount nut)	<b>PS707P</b>
Panel mount nut, plastic	<b>P04082</b>
Panel mount nut, metal	<b>P04079B</b>
Pilot conversion kit – relieving	<b>PS745P</b>
Non-Relieving	<b>PS747P</b>
Relieving	<b>PS749P</b>

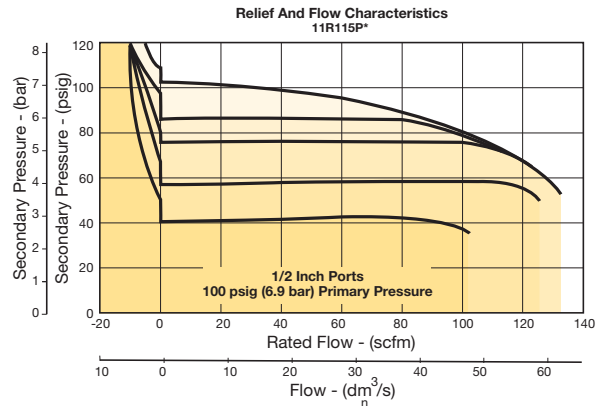


Inches (mm)

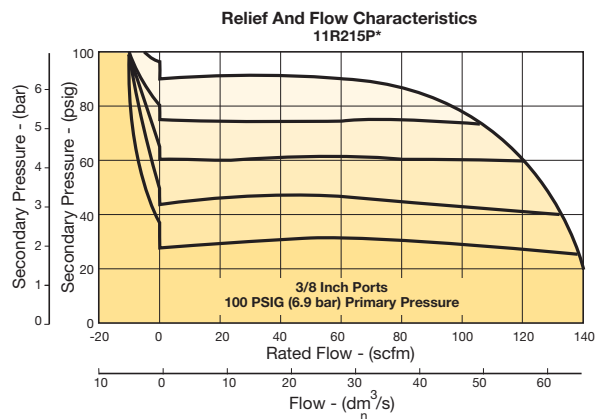
## Air Preparation Products Regulator Products

### Flow Charts

#### 1/2" Regulator



#### 3/8" Regulator



### WARNING

Product rupture can cause serious injury.  
Do not connect regulator to bottled gas.  
Do not exceed Maximum primary pressure rating.



For inventory, lead time, and kit lookup, visit [www.pdnplu.com](http://www.pdnplu.com)

K51

**Parker Hannifin Corporation**  
Pneumatic Division  
Richland, Michigan  
[www.parker.com/pneumatics](http://www.parker.com/pneumatics)

General

Dial

Pilot

Proportional

Precision

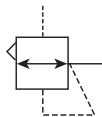
Water

**K**

Regulator  
Products

## 12R Pilot Controlled Regulator – Standard

- Balanced poppet provides quick response and accurate pressure regulation
- Pilot controlled regulators can be mounted “out of reach” with pilot regulator installed in a convenient location
- Solid control piston for extended life
- Two full flow 1/4" gauge ports can be used as additional outlets
- Pilot port 1/4 Inch
- 1/2", 3/4" ports (NPT, BSPP, BSPT)



### Operating information

Supply pressure (max):	0 to 250 psig (0 to 17.2 bar)	
Operating temperature:	32°F to 175°F (0°C to 80°C)	
Flow capacity†:		
High flow	1/2"	140 scfm (66 dm³/s, ANR)
	3/4"	140 scfm (66 dm³/s, ANR)
Gauge ports (2):	1/4 inch (can be used as additional full flow 1/4 inch outlet ports)	
Weight:	2.0 lb (0.91 kg)	

† scfm = Standard cubic feet per minute at 100 psig inlet, 90 psig no flow secondary setting and 10 psig pressure drop.

Port size	Description	Part number
1/2"	Without gauge	<b>12R315PB</b>
1/2"	With 160 psi gauge	<b>12R321PB</b>
3/4"	Without gauge	<b>12R415PB</b>
3/4"	With 160 psi gauge	<b>12R421PB</b>

NOTE: 2.0 Dia. (51 mm) hole required for panel mounting.

### Ordering information:

<b>12R</b>	<b>3</b>	<b>15</b>	<b>P</b>	<b>B</b>																													
<table border="1" style="width: 100%; text-align: left;"> <thead> <tr><th colspan="2">Port Threads</th></tr> </thead> <tbody> <tr><td>1/2 inch</td><td>3</td></tr> <tr><td>3/4 inch</td><td>4</td></tr> </tbody> </table>		Port Threads		1/2 inch	3	3/4 inch	4	<table border="1" style="width: 100%; text-align: left;"> <thead> <tr><th colspan="2">Relief / Gauge Options</th></tr> </thead> <tbody> <tr><td>Without gauge</td><td></td></tr> <tr><td>Non-relieving piston</td><td>14</td></tr> <tr><td>Relieving piston</td><td>15</td></tr> <tr><td>With gauge *</td><td></td></tr> <tr><td>Non-relieving piston</td><td>19</td></tr> <tr><td>Relieving piston</td><td>21</td></tr> </tbody> </table>		Relief / Gauge Options		Without gauge		Non-relieving piston	14	Relieving piston	15	With gauge *		Non-relieving piston	19	Relieving piston	21	<table border="1" style="width: 100%; text-align: left;"> <thead> <tr><th colspan="2">Port Type</th></tr> </thead> <tbody> <tr><td>Blank</td><td>NPT</td></tr> <tr><td>1</td><td>BSPP</td></tr> <tr><td>2</td><td>BSPT</td></tr> </tbody> </table>		Port Type		Blank	NPT	1	BSPP	2	BSPT
Port Threads																																	
1/2 inch	3																																
3/4 inch	4																																
Relief / Gauge Options																																	
Without gauge																																	
Non-relieving piston	14																																
Relieving piston	15																																
With gauge *																																	
Non-relieving piston	19																																
Relieving piston	21																																
Port Type																																	
Blank	NPT																																
1	BSPP																																
2	BSPT																																
<table border="1" style="width: 100%; text-align: left;"> <thead> <tr><th colspan="2">Engineering Level</th></tr> </thead> <tbody> <tr><td>B</td><td>Current</td></tr> </tbody> </table>			Engineering Level		B	Current	<table border="1" style="width: 100%; text-align: left;"> <thead> <tr><th colspan="2">Adjustment</th></tr> </thead> <tbody> <tr><td>P</td><td>Pilot operated</td></tr> </tbody> </table>			Adjustment		P	Pilot operated																				
Engineering Level																																	
B	Current																																
Adjustment																																	
P	Pilot operated																																

\* Includes 2" dial face gauge 0 to 300 psig.



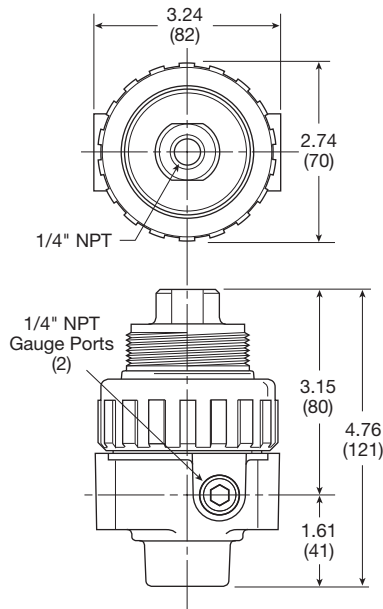
## Standard Pilot Controlled Regulators

### Material Specifications

Body & pilot cap	Zinc
Piston, valve poppet, & collar	Plastic
Seals	Nitrile
Springs	Steel

### Repair and Service Kits

Seat insert kit	<b>PS813P</b>
2" dial face 60 psig (0 to 4.1 bar)	<b>K4520N14060</b>
2" dial face 160 psig (0 to 11.0 bar)	<b>K4520N14160</b>
2" dial face 300 psig (0 to 20.7 bar)	<b>K4520N14300</b>
1-3/4" digital round face 160 psig (0 to 11.0 bar)	<b>K4517N14160D</b>
Mounting bracket kit (includes panel mount nut)	<b>PS807P</b>
Panel mount nut, plastic	<b>P04082</b>
Panel mount nut, metal	<b>P04079B</b>
Pilot conversion kit – relieving	<b>PS745P</b>
Non-relieving	<b>PS847P</b>
Relieving	<b>PS849P</b>

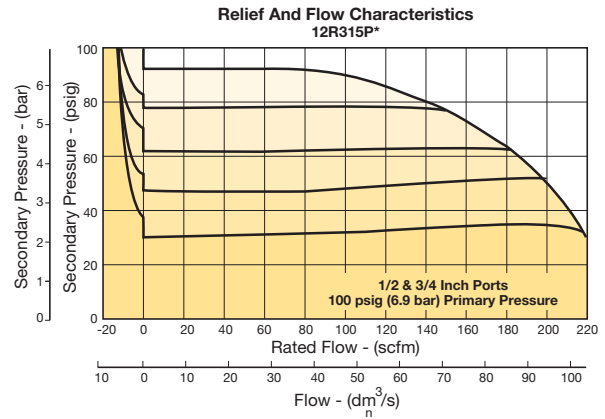


Inches (mm)

## Air Preparation Products Regulator Products

### Flow Charts

#### 1/2 and 3/4" Regulator



**⚠ WARNING**

**Product rupture can cause serious injury.  
Do not connect regulator to bottled gas.  
Do not exceed Maximum primary pressure rating.**

General

Dial

Pilot

Proportional

Precision

Water

**K**

Regulator  
Products



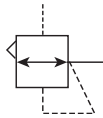
For inventory, lead time, and kit lookup, visit [www.pdnplu.com](http://www.pdnplu.com)

K53

**Parker Hannifin Corporation**  
Pneumatic Division  
Richland, Michigan  
[www.parker.com/pneumatics](http://www.parker.com/pneumatics)

## P3NR Pilot Controlled Regulator - Hi-Flow

- Port blocks (PB) available to provide 1-1/2" port extension to 1" ported bodies
- Self relieving feature plus balanced poppet provides quick response and accurate pressure regulation
- Solid control piston for extended life
- 3/4", 1" 1-1/2" ports (NPT, BSPP)



Port size	Description	Part number
3/4"	Without gauge	<b>P3NRA96BPP</b>
1"	Without gauge	<b>P3NRA98BPP</b>
1-1/2"#	Without gauge	<b>P3NRA9PBPP</b>

# 1" port body with 1-1/2" port block.

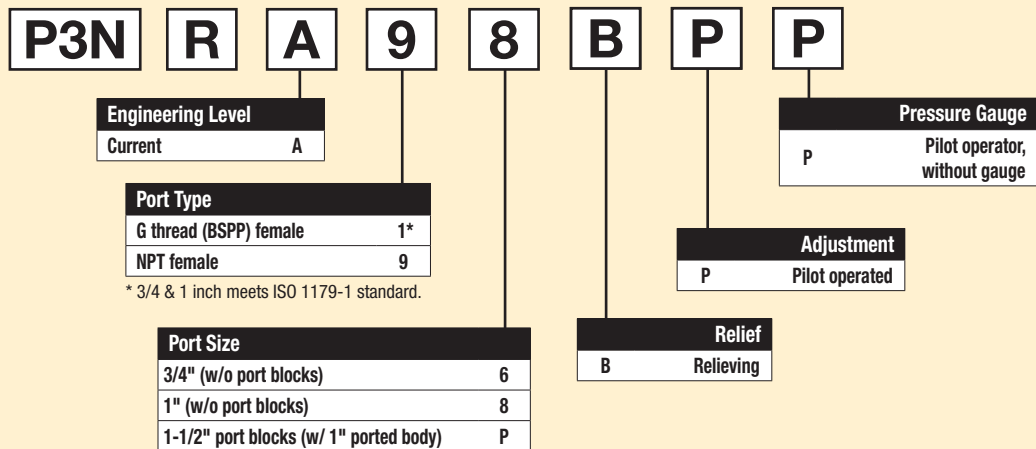
### Operating information

Supply pressure (max):	250 psig (17.2 bar)
Operating temperature:	32°F to 175°F (0°C to 80°C)
Flow capacity†:	
High flow	
3/4"	300 scfm (141.6 dm³/s, ANR)
1"	300 scfm (141.6 dm³/s, ANR)
1-1/2"	350 scfm (165.2 dm³/s, ANR)
Gauge ports (2):	1/4 inch
Weight:	
3/4", 1"	3.3 lb (1.5 kg)
1-1/2" #	4.4 lb (2.0 kg)

† scfm = Standard cubic feet per minute at 100 psig inlet, 90 psig no flow secondary setting and 10 psig pressure drop.

# 1" port body with 1-1/2" port block

### Ordering information:



Note: BSPP ported units supplied using NPT ported bodies and BSPP port block kits.

☐ Most popular.



For inventory, lead times, and kit lookup, visit [www.pdnplu.com](http://www.pdnplu.com)

K54

**Parker Hannifin Corporation**  
Pneumatic Division  
Richland, Michigan  
[www.parker.com/pneumatics](http://www.parker.com/pneumatics)

# Hi-Flow Pilot Controlled Regulators

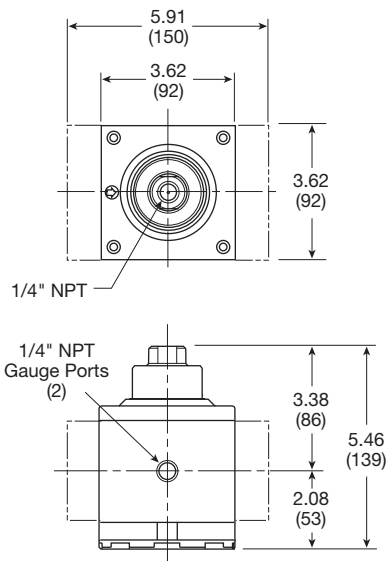
## Material Specifications

Adjusting stem	Steel
Body	Aluminum
Bonnet	Aluminum
Piston	Plastic
Poppet assembly	Brass
Seals	Nitrile
Springs – poppet	Steel

## Repair and Service Kits

2" dial face 60 psig (0 to 4.1 bar), gauge	<b>K4520N14060</b>
2" dial face 160 psig (0 to 11.0 bar), gauge	<b>K4520N14160</b>
2" dial face 300 psig (0 to 20.7 bar), gauge	<b>K4520N14300</b>
1-3/4" digital round face 160 psig (0 to 11.0 bar), gauge	<b>K4517N14160D</b>
Mounting bracket kit*	<b>P3NKA00MW</b>
Relieving	<b>P3NKA00PD</b>

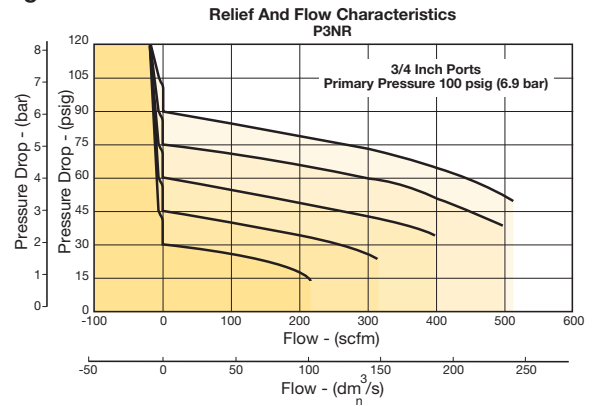
\* If 1-1/2 BSPP E02 fittings are required, use P3NKA00BMW.



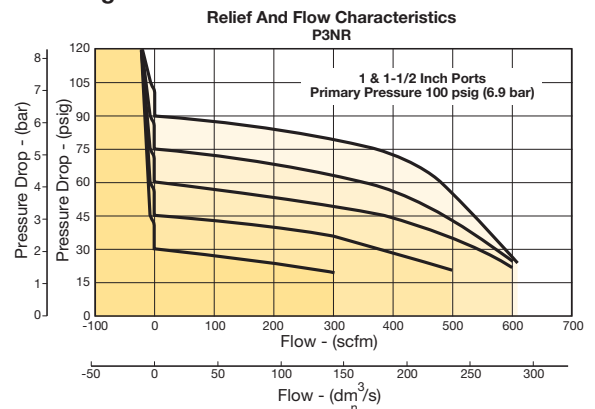
# Air Preparation Products Regulator Products

## Flow Charts

### 3/4" Regulator



### 1" & 1-1/2" Regulator



**WARNING**  
 Product rupture can cause serious injury.  
 Do not connect regulator to bottled gas.  
 Do not exceed Maximum primary pressure rating.

General

Dial

Pilot

Proportional

Precision

Water

**K**

Regulator  
Products



For inventory, lead time, and kit lookup, visit [www.pdnplu.com](http://www.pdnplu.com)

K55

**Parker Hannifin Corporation**  
 Pneumatic Division  
 Richland, Michigan  
[www.parker.com/pneumatics](http://www.parker.com/pneumatics)

## R119 – Pilot Operated Regulators

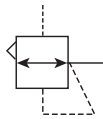
- Adapted for control by a remote or distant small pilot regulator. Ideal for maximum capacity requirements in applications where units are not readily accessible
- High flow performance featuring rugged design for the most demanding applications
- Ideal for those installations calling for constant pressure with wide variation in flow
- Diaphragm operated design with balanced poppet and constant bleed pilot for quick and accurate regulation.
- Secondary aspiration plus balanced poppet provides quick response and accurate pressure regulation
- Reverse flow available
- 1/4", 3/8", 1/2" ports (NPT, BSPP)



### Operating information

Supply pressure (max):	300 psig (0 to 20.7 bar)	
Air consumption:	Constant bleed from air pilot chamber: approx. 0.17 scfm (10 scfh)	
Operating temperature:	40°F to 125°F (4.4°C to 52°C)	
Pilot pressure:	1/4", 3/8" thread - 1/8" 1/2" thread - 1/4"	
Reduced pressure range:	Adjustable to within 5 to 7 psig (0.34 to 0.48 bar) of supply pressure	
Flow capacity†:		
High flow	1/4"	100 scfm (47.2 dm³/s, ANR)
	3/8"	110 scfm (51.9 dm³/s, ANR)
	1/2"	150 scfm (70.8 dm³/s, ANR)
Gauge ports (2):	1/4 inch	
Weight:	1/4"	1.6 lb (0.73 kg)
	3/8"	1.6 lb (0.73 kg)
	1/2"	2.6 lb (1.18 kg)

† scfm = Standard cubic feet per minute at 100 psig inlet, 75 psig no flow secondary setting and 20 psig pressure drop.



Port size	Description (0-125 psig reduced pressure)	Part number
1/4"	Without gauge, relieving, NPT	<b>R119-02J/M2</b>
3/8"	Without gauge, relieving, NPT	<b>R119-03J/M2</b>
1/2"	Without gauge, relieving, NPT	<b>R119-04J/M2</b>

### Ordering information:

**R119**

Port Threads	
NPT	-
BSPP	G

**-**

Port Size	
1/4 inch	02
3/8 inch	03
1/2 inch	04

**02**

**J**

Reduced Pressure Range	
Air pilot operated	J

**/M2**

Engineering Level	
/M2	Current

**Options**

Blank	None
K	Non-relieving
X64*	Fluorocarbon o-rings and diaphragm
X71	Non-bleed (for use with electronic controllers)
X7	Brass bottom plug

\* Brass bottom plug standard with X64 option.

Most popular.



For inventory, lead times, and kit lookup, visit [www.pdnplu.com](http://www.pdnplu.com)

K56

**Parker Hannifin Corporation**  
 Pneumatic Division  
 Richland, Michigan  
[www.parker.com/pneumatics](http://www.parker.com/pneumatics)

**Material Specifications**

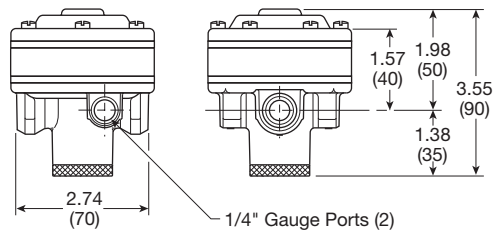
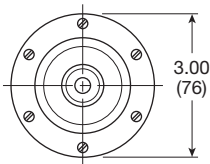
Body, ring, top plate	Zinc
Bottom plug	Nylon
Innervalve	Brass
Seals	Buna N

**Repair and Service Kits**

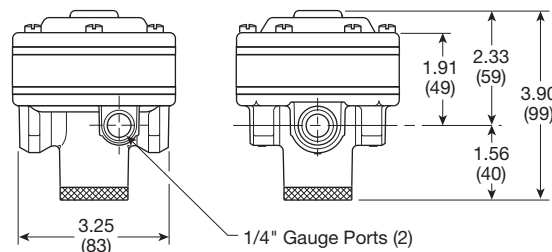
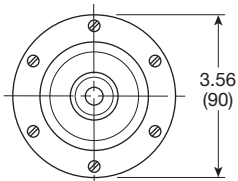
2" dial face 60 psig (0 to 4.1 bar), gauge	<b>K4520N14060</b>
2" dial face 160 psig (0 to 11.0 bar), gauge	<b>K4520N14160</b>
2" dial face 300 psig (0 to 20.7 bar), gauge	<b>K4520N14300</b>
1-3/4" digital round face 160 psig (0 to 11.0 bar), gauge	<b>K4517N14160D</b>
Non-relieving diaphragm, valve assembly (1/2")	<b>RK118X20A</b>
Non-relieving diaphragm, valve assembly (1/4", 3/8")	<b>RK118X20Y</b>
Relieving diaphragm, valve assembly (1/2")	<b>RK119X20A</b>
Relieving diaphragm, valve assembly (1/4", 3/8")	<b>RK119X20Y</b>

For fluorocarbon repair kits, add X64 to kit number suffix.  
 For non-bleed pilot repair kits, add X71 to kit number suffix.

**R119-02J, R119-03J**



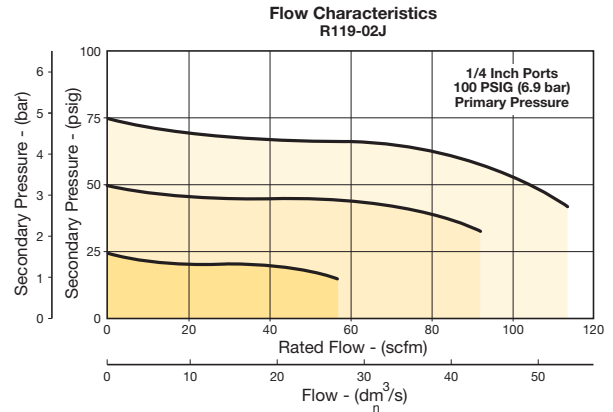
**R119-04J**



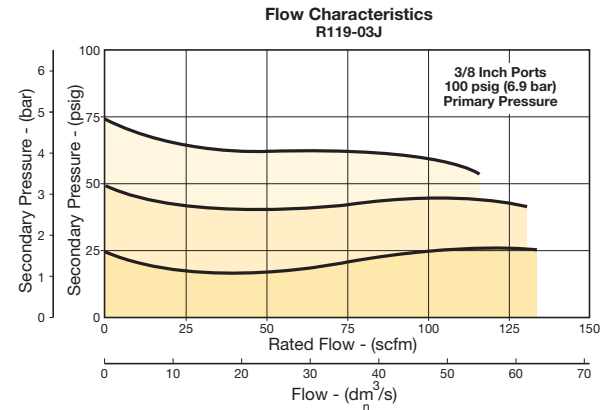
Inches (mm)

**Flow Charts**

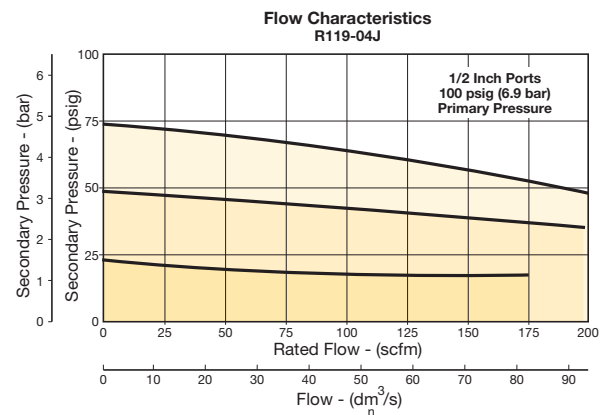
**1/4" Regulator**



**3/8" Regulator**



**1/2" Regulator**



**⚠ WARNING**  
 Product rupture can cause serious injury.  
 Do not connect regulator to bottled gas.  
 Do not exceed Maximum primary pressure rating.

General

Dial

Pilot

Proportional

Precision

Water

**K**

Regulator  
 Products



For inventory, lead time, and kit lookup, visit [www.pdnplu.com](http://www.pdnplu.com)

K57

**Parker Hannifin Corporation**  
 Pneumatic Division  
 Richland, Michigan  
[www.parker.com/pneumatics](http://www.parker.com/pneumatics)

## R119 Pilot Operated Regulators - Hi-Flow

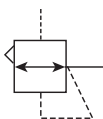
- Adapted for control by a remote or distant small pilot regulator. Ideal for maximum capacity requirements in applications where units are not readily accessible
- High flow performance featuring rugged design for the most demanding applications
- Ideal for those installations calling for constant pressure with wide variation in flow
- Diaphragm operated design with balanced poppet and constant bleed pilot for quick and accurate regulation
- Secondary aspiration plus balanced poppet provides quick response and accurate pressure regulation
- Reverse flow version available
- 3/4", 1", 1-1/2" ports (NPT, BSPP)



### Operating information

Supply pressure (max):	300 psig (0 to 20.7 bar)	
Air consumption:	Constant bleed from air pilot chamber: approx. 0.17 scfm (10 scfh)	
Operating temperature:	40°F to 125°F (4.4°C to 52°C)	
Reduced pressure range:	Adjustable to within 5 to 7 psig (0.34 to 0.48 bar) of supply pressure	
Flow capacity†:		
High flow	3/4"	300 scfm (141.6 dm³/s, ANR)
	1"	300 scfm (141.6 dm³/s, ANR)
	1-1/2"	500 scfm (236 dm³/s, ANR)
Gauge ports (2):	1/4 inch	
Weight:	3/4"	5.2 lb (2.36 kg)
	1"	5.2 lb (2.36 kg)
	1-1/2"	5.6 lb (2.54 kg)

† scfm = Standard cubic feet per minute at 100 psig inlet, 75 psig no flow secondary setting and 20 psig pressure drop.



Port size	Description (0-125 psig reduced pressure)	Part number
3/4"	Without gauge, relieving, NPT	<b>R119-06J/M2</b>
1"	Without gauge, relieving, NPT	<b>R119-08J/M2</b>
1-1/2"	Without gauge, relieving, NPT	<b>R119-12J/M2</b>

### Ordering information:

R119
-
06
J
/M2

<table border="1" style="width: 100%; border-collapse: collapse;"> <thead> <tr><th style="background-color: #333; color: white;">Port Threads</th></tr> </thead> <tbody> <tr><td>NPT</td><td style="text-align: center;">-</td></tr> <tr><td>BSPP</td><td style="text-align: center;">G</td></tr> </tbody> </table>	Port Threads	NPT	-	BSPP	G	<table border="1" style="width: 100%; border-collapse: collapse;"> <thead> <tr><th style="background-color: #333; color: white;">Port Size</th></tr> </thead> <tbody> <tr><td>3/4 inch</td><td style="text-align: center;">06</td></tr> <tr><td>1 inch</td><td style="text-align: center;">08</td></tr> <tr><td>1-1/2 inch</td><td style="text-align: center;">12</td></tr> </tbody> </table>	Port Size	3/4 inch	06	1 inch	08	1-1/2 inch	12	<table border="1" style="width: 100%; border-collapse: collapse;"> <thead> <tr><th style="background-color: #333; color: white;">Engineering Level</th></tr> </thead> <tbody> <tr><td>/M2</td><td style="text-align: center;">Current</td></tr> </tbody> </table>	Engineering Level	/M2	Current
Port Threads																	
NPT	-																
BSPP	G																
Port Size																	
3/4 inch	06																
1 inch	08																
1-1/2 inch	12																
Engineering Level																	
/M2	Current																
<table border="1" style="width: 100%; border-collapse: collapse;"> <thead> <tr><th style="background-color: #333; color: white;">Reduced Pressure Range</th></tr> </thead> <tbody> <tr><td>Air pilot operated</td><td style="text-align: center;">J</td></tr> </tbody> </table>		Reduced Pressure Range	Air pilot operated	J	<table border="1" style="width: 100%; border-collapse: collapse;"> <thead> <tr><th style="background-color: #333; color: white;">Options</th></tr> </thead> <tbody> <tr><td>Blank</td><td style="text-align: center;">None</td></tr> <tr><td>K</td><td style="text-align: center;">Non-relieving</td></tr> <tr><td>X64*</td><td style="text-align: center;">Fluorocarbon o-rings and diaphragm</td></tr> <tr><td>X71</td><td style="text-align: center;">Non-bleed (for use with electronic controllers)</td></tr> <tr><td>X80</td><td style="text-align: center;">Reverse flow</td></tr> </tbody> </table>	Options	Blank	None	K	Non-relieving	X64*	Fluorocarbon o-rings and diaphragm	X71	Non-bleed (for use with electronic controllers)	X80	Reverse flow	
Reduced Pressure Range																	
Air pilot operated	J																
Options																	
Blank	None																
K	Non-relieving																
X64*	Fluorocarbon o-rings and diaphragm																
X71	Non-bleed (for use with electronic controllers)																
X80	Reverse flow																

\* Brass bottom plug standard with X64 option.

  Most popular.



For inventory, lead times, and kit lookup, visit [www.pdnplu.com](http://www.pdnplu.com)

K58

**Parker Hannifin Corporation**  
 Pneumatic Division  
 Richland, Michigan  
[www.parker.com/pneumatics](http://www.parker.com/pneumatics)

# Hi-Flow Regulators

## Material Specifications

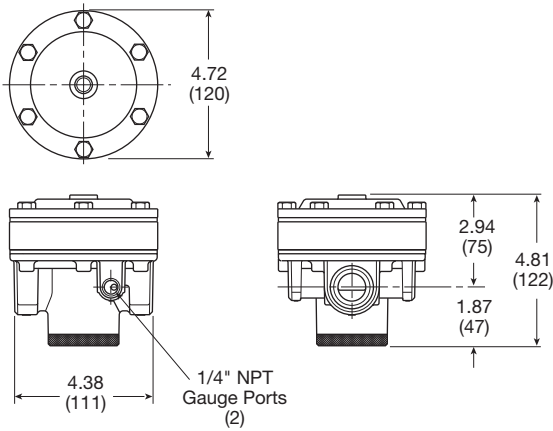
Body, ring, top plate	Zinc
Bottom plug, innervalve	Brass
Seals	Buna N

## Repair and Service Kits

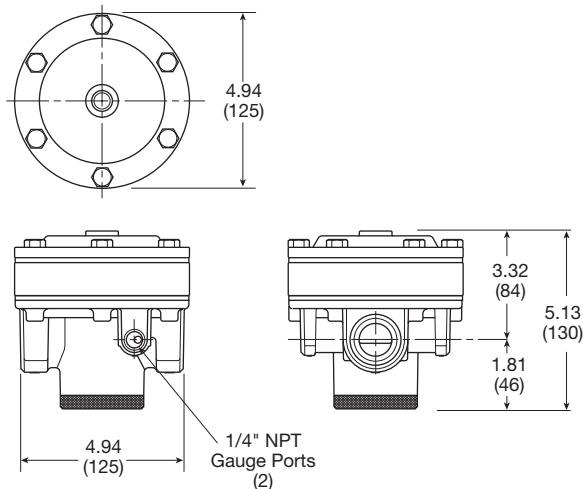
2" dial face 60 psig (0 to 4.1 bar), gauge	<b>K4520N14060</b>
2" dial face 160 psig (0 to 11.0 bar), gauge	<b>K4520N14160</b>
2" dial face 300 psig (0 to 20.7 bar), gauge	<b>K4520N14300</b>
1-3/4" digital round face 160 psig (0 to 11.0 bar), gauge	<b>K4517N14160D</b>
Non-relieving diaphragm, valve assembly (3/4", 1")	<b>RK118X20B</b>
Non-relieving diaphragm, valve assembly (1-1/4", 1-1/2")	<b>RK118X20D</b>
Relieving diaphragm, valve assembly (3/4", 1")	<b>RK119X20B</b>
Relieving diaphragm, valve assembly (1-1/4", 1-1/2")	<b>RK119X20D</b>

For Fluorocarbon Repair Kits, add X64 to Kit Number suffix.

### R119-06J, R119-08J



### R119-12J

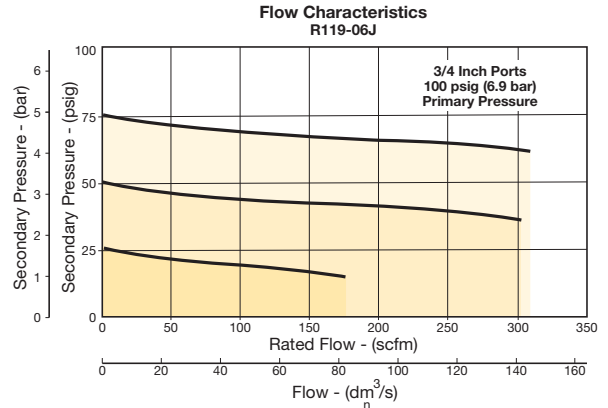


Inches (mm)

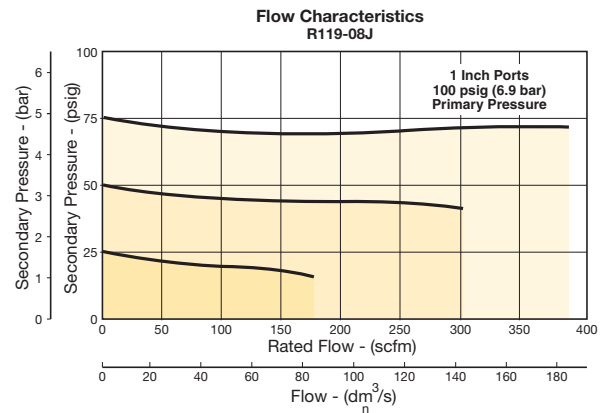
# Air Preparation Products Regulator Products

## Flow Charts

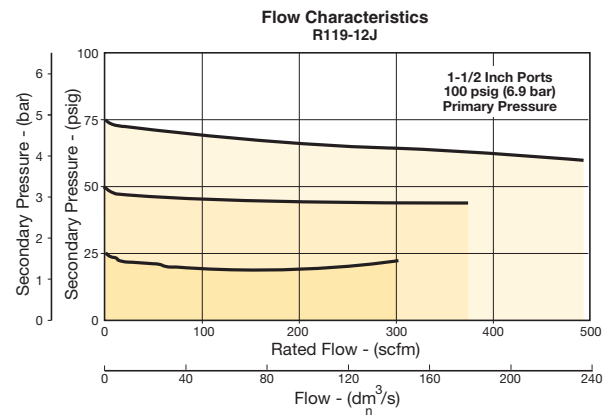
### 3/4" Regulator



### 1" Regulator



### 1-1/2" Regulator



**⚠ WARNING**

**Product rupture can cause serious injury.  
Do not connect regulator to bottled gas.  
Do not exceed Maximum primary pressure rating.**

General

Dial

Pilot

Proportional

Precision

Water

**K**

Regulator  
Products



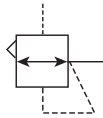
For inventory, lead time, and kit lookup, visit [www.pdnplu.com](http://www.pdnplu.com)

K59

**Parker Hannifin Corporation**  
Pneumatic Division  
Richland, Michigan  
[www.parker.com/pneumatics](http://www.parker.com/pneumatics)

**R119 Pilot Operated Regulators - Hi-Flow**

- Adapted for control by a remote or distant small pilot regulator. Ideal for maximum capacity requirements in applications where units are not readily accessible
- High flow performance featuring rugged design for the most demanding applications
- Ideal for those installations calling for constant pressure with wide variation in flow
- Piston operated design with balanced poppet and dual constant bleed for quick and accurate regulation
- 2", 2-1/2" ports (NPT, BSPP)



Port size	Description (0-125 psig reduced pressure)	Part number
2"	Without gauge, relieving, NPT	<b>R119-16J</b>
2-1/2"	Without gauge, relieving, NPT	<b>R119-20J</b>

**Operating information**

Supply pressure (max):	300 psig (0 to 20.7 bar)	
Air consumption:	Air pilot chamber: approx. 0.17 scfm (10 scfh)	
Constant bleed from:	Reduced pressure: approx. 0.17 scfm (10 scfh)	
Operating temperature:	40°F to 120°F (4.4°C to 48.9°C)	
Reduced pressure range:	Adjustable to within 5 to 7 psig (0.34 to 0.48 bar) of supply pressure	
Flow capacity†:		
High flow	2"	1800 scfm (850 dm³/s, ANR)
	2-1/2"	1800 scfm (850 dm³/s, ANR)
Gauge ports (2):		
Can be used for full flow	1/4 inch	
High pressure outlet for pilot	1/4 inch	
Weight:	15 lb (6.8 kg)	

† scfm = Standard cubic feet per minute at 100 psig inlet, 75 psig no flow secondary setting and 20 psig pressure drop.

**Ordering information:**

**R119 - 16 J**

Port Threads	Reduced Pressure Range
NPT -	J Air pilot operated
BSPP G	

Port Size	Part Number
2 inch	16
2-1/2 inch	20

NOTE: Non-relieving not available.

Most popular.



For inventory, lead times, and kit lookup, visit [www.pdnplu.com](http://www.pdnplu.com)

K60

**Parker Hannifin Corporation**  
Pneumatic Division  
Richland, Michigan  
[www.parker.com/pneumatics](http://www.parker.com/pneumatics)



# Hi-Flow Regulators

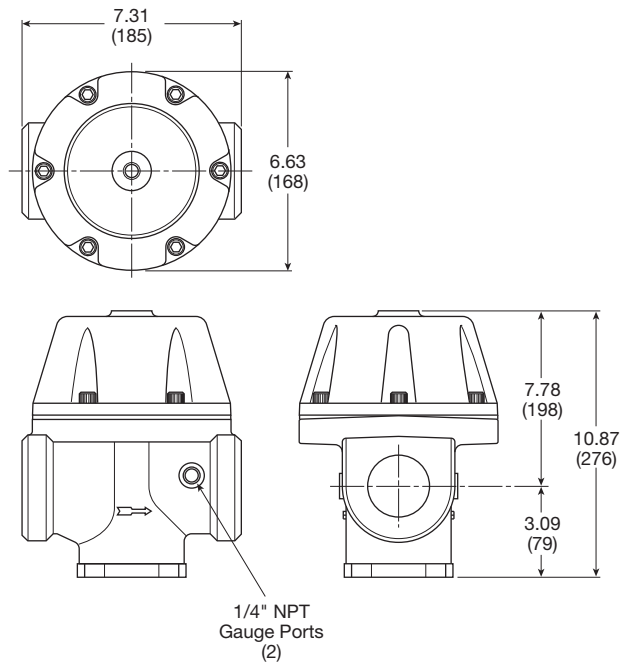
## Material Specifications

Body, piston	Aluminum
Seals	Buna N
Innervalve stainless	Brass &

## Repair and Service Kits

2" dial face 60 psig (0 to 4.1 bar), gauge	<b>K4520N14060</b>
2" dial face 160 psig (0 to 11.0 bar), gauge	<b>K4520N14160</b>
2" dial face 300 psig (0 to 20.7 bar), gauge	<b>K4520N14300</b>
1-3/4" digital round face	
160 psig (0 to 11.0 bar), gauge	<b>K4517N14160D</b>
Piston type regulation (2", 2-1/2")	<b>RK119G</b>

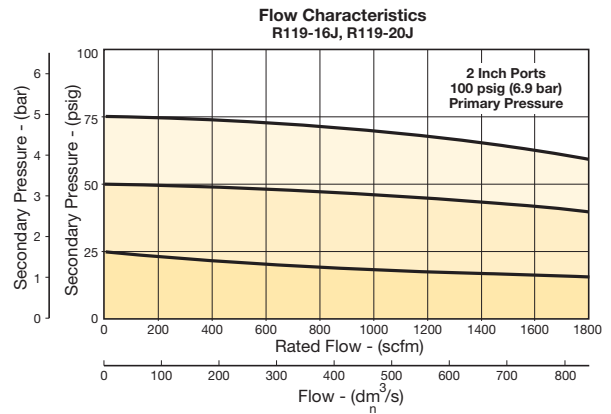
### R119-16J, R119-20J



Inches (mm)

# Air Preparation Products Regulator Products

## Flow Charts



**⚠ WARNING**

**Product rupture can cause serious injury.  
Do not connect regulator to bottled gas.  
Do not exceed Maximum primary pressure rating.**



For inventory, lead time, and kit lookup, visit [www.pdnplu.com](http://www.pdnplu.com)

K61

**Parker Hannifin Corporation**  
Pneumatic Division  
Richland, Michigan  
[www.parker.com/pneumatics](http://www.parker.com/pneumatics)

General

Dial

Pilot

Proportional

Precision

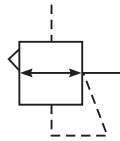
Water

**K**

Regulator  
Products

## P3Y Pilot Operated Regulator

- Integral 3/4" or 1" ports (BSPP & NPT)
- Pilot controlled regulators can be mounted "out of reach" with pilot regulator installed in a convenient location
- Constant pilot bleed control for accurate pressure control
- Balanced poppet provides quick response
- High flow



### Operating information

Supply pressure (max):	254 psig (17.5 bar)
Operating temperature:	-40°F to 140°F (-40°C to 60°C)
Flow capacity†:	3/4" 550 scfm (259.6 dm³/s, ANR) 1" 550 scfm (259.6 dm³/s, ANR)
Fluid:	Compressed air
Weight:	2.6 lb (1.2 kg)
† Inlet pressure 145 psig (10 bar) inlet pressure, 91.4 psig (6.3 bar) set pressure and 7.3 psig (0.5 bar) pressure drop.	

Port size	Description	Part number
3/4"	Pilot operated regulator	<b>P3YRA96BPPN</b>
1"	Pilot operated regulator	<b>P3YRA98BPPN</b>

### Ordering information

**P3YRA 9 6 BPPN**

Basic series	Thread type*	Port size
Pilot Operated Regulator P3YRA	BSPP 1	3/4 6
	NPT 9	1 8

\* Note: For 1-1/2" ported unit, please order P3YKA\*BCP port block kit separately.

☐ Most popular.



For inventory, lead times, and kit lookup, visit [www.pdnplu.com](http://www.pdnplu.com)

K62

**Parker Hannifin Corporation**  
Pneumatic Division  
Richland, Michigan  
[www.parker.com/pneumatics](http://www.parker.com/pneumatics)

# Pilot Operated Regulators

## Material specifications

Body	Aluminium
Body cover	ABS
Valve	Brass / NBR composite
Pilot valve booster	Aluminum
Seals	Nitrile NBR
Screws	Zinc plated steel

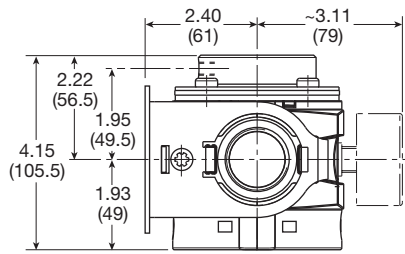
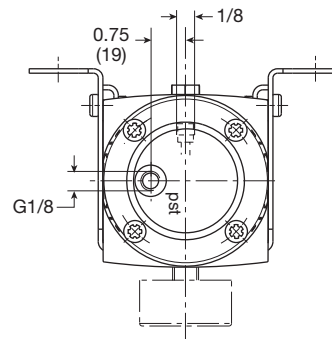
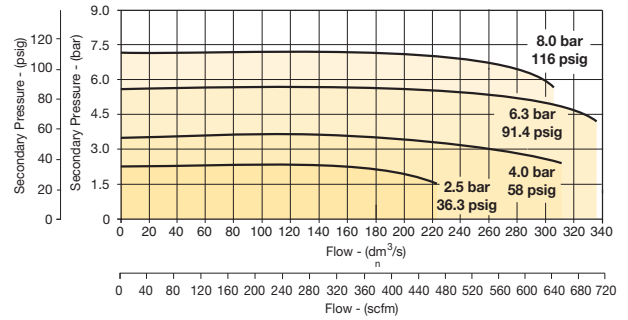
### ⚠ WARNING

Product rupture can cause serious injury.  
Do not connect regulator to bottled gas.  
Do not exceed Maximum primary pressure rating.

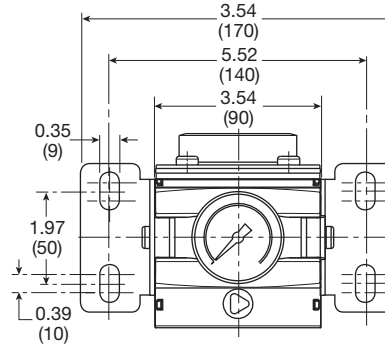
# Air Preparation Products Regulator Products

## Flow characteristics

### 3/4" and 1" Pilot Regulator



Inches (mm)



General

Dial

Pilot

Proportional

Precision

Water

**K**

Regulator Products



For inventory, lead time, and kit lookup, visit [www.pdnplu.com](http://www.pdnplu.com)

K63

**Parker Hannifin Corporation**  
Pneumatic Division  
Richland, Michigan  
[www.parker.com/pneumatics](http://www.parker.com/pneumatics)

# P31P & P32P Proportional Regulators

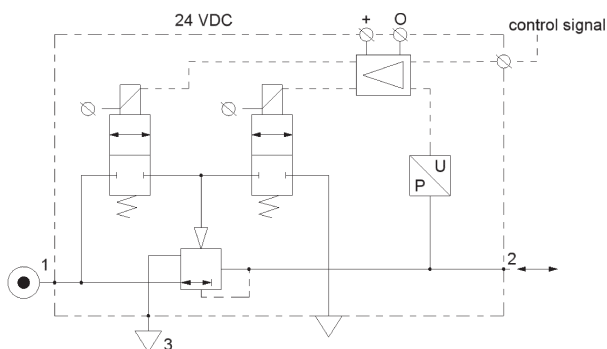
- Very fast response times
- Accurate output pressure
- Parameter settings
- Selectable I/O parameters
- Quick, full flow exhaust
- LED display indicates output pressure
- No air consumption in steady state
- Multiple mounting options
- Protection to IP65



P31P Series  
Bottom exhaust



P32P Series  
Bottom exhaust



Port size	Description	Part number
1/4"	145 psig (0-10 bar), NC 0-10V	<b>P31PA92AD2VD1</b>
1/2"	145 psig (0-10 bar), NC 0-10V	<b>P32PA92AD2VD1</b>

## Operating information

Flow capacity*:	P31P	40 scfm (19 dm <sup>3</sup> /s, ANR)
	P32P	120 scfm (57 dm <sup>3</sup> /s, ANR)
Temperature range:	32°F to 122°F (0°C to 50°C)	
Supply pressure (max):	2 bar unit	36.3 psig (2.5 bar)
	10 bar unit	152 psig (10.5 bar)
Operating pressure (min):	P2 pressure + 7.3 psig (0.5 bar)	
Working medium:	Compressed air or inert gasses, filtered to 40µ	
Pressure range:	0 to 30 psig (0 to 2 bar)	0 to 145 psig (0 to 10 bar)
Weight:	P31P	0.64 lb (0.291 kg)
	P32P	1.42 lb (0.645 kg)

\* Inlet pressure 91.3 psig (6.3 bar), inlet pressure and 4.9 psig (0.34 bar) pressure drop.

## Ordering Information:

**P31PA 9 2 A D 2 V D 1**

<b>Body size</b>	<b>Thread type</b>	<b>Power supply</b>	<b>Control signal</b>	<b>Input connector</b>
Global modular mini (1/4") P31PA	BSPP 1	2 24 volts	V 0-10V <sup>†</sup>	1 M12 (4-pin)
Global modular compact (1/2") P32PA	BSPT 2		‡ Factory setting is 0-10 V control signal. 4-20 mA control signal available via parameter 4 on keypad.	
	NPT 9			
<b>Port size</b>	<b>Version</b>	<b>Pressure range</b>	<b>Output signal</b>	
Global modular mini (1/4") 2	Bottom ported exhaust (NC) A	Z 0 - 29 psig (0 - 2 bar)	D Digital, PNP	
Global modular compact (1/2") 4	Bottom ported forced exhaust (NO) <sup>†</sup> E	D 0 - 145 psig (0 - 10 bar)	P PNP or 0-10V	
			N NPN or 0-10V	
			M 4-20mA fixed	

† When the supply voltage is lost the unit will automatically exhaust the regulated pressure to 0 bar (atmospheric pressure)

D) Digital PNP output only, no analog output selectable  
 P) Digital PNP and analogue 0-10V outputs selectable, by means of parameter 6. (Factory default 0-10V)  
 N) Digital NPN and analog 0-10 V outputs selectable by means of parameter 6. Factory default 0-10V  
 M) Analog 4-20mA output only.  
 Note: On all analog outputs the F.S. value can be adjusted by means of parameter 8.

Most popular.



For inventory, lead times, and kit lookup, visit [www.pdnplu.com](http://www.pdnplu.com)

K64

**Parker Hannifin Corporation**  
Pneumatic Division  
Richland, Michigan  
[www.parker.com/pneumatics](http://www.parker.com/pneumatics)

**Proportional Regulators**

**Technical Information**

**Accuracy**

+/- 1.0% of F.S.\*

\* Full scale (F.S.) - For 2 bar (29 psig) versions this will be 2 bar (29 psig), for the 10 bar (145 psig) version full scale will be 10 bar (145 psig).

**Air consumption**

No consumption in stable regulated situation.

**Display**

The regulator is provided with a digital display, indicating the output pressure, either in bar or psig.

The factory setting is as indicated on the label, can be changed through to software at all times (parameter 14)

**Supply voltage**

24 VDC +/- 10%

**Power consumption**

Max. 1.1W with unloaded signal outputs

**Control signals**

The electronic pressure regulator can be externally controlled through an analogue control signal of either 0-10V or 4-20mA. (parameter 4).

**Output signals**

As soon as the output pressure is within the signal band a signal is given of 24VDC, PNP Ri = 1 kOhm  
Outside the signal band this connection is 0V.

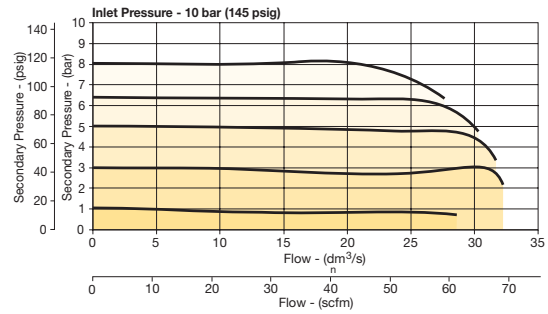
**Connections**

(In case of output signal (Option D)  
Central M12 connector 4-pole  
The electrical connections are as follows:

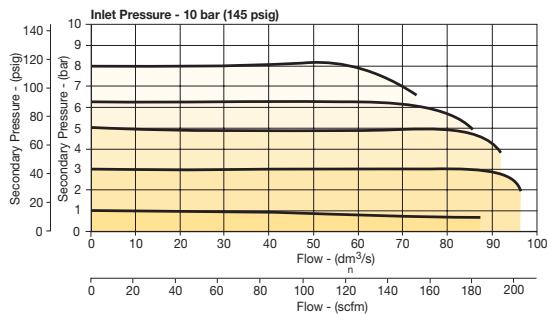
Pin No.	Function	Color
1	24 V Supply	Brown
2	0 to 10 V Control Signal Ri = 100k Ω	White
	4 to 20mA Control Signal Ri = 500 Ω	
3	0 V (GND) Supply & Set Point Ground	Blue
4	24 V Alarm Output Signal	Black

**Flow Charts**

**P31P Regulator 1/4" Ports**



**P32P Regulator 1/2" Ports**



**Degree of protection:** IP65

**EU conformity**

CE: standard  
EMC: according to directive 89/336/EEC  
This pressure regulator is in accordance with:

- EN 61000-6-1:2001**
- EN 61000-6-2:2001**
- EN 61000-6-3:2001**
- EN 61000-6-4:2001**

**Mounting position**

Preferably vertical, with the cable gland on top.

**Materials: P31P & P32P**

Magnet core	Steel
Solenoid valve poppet	FPM
Solenoid valve housing	Techno polymer
Regulator body (P31P & P32P versions)	Aluminum
Regulator top housing	Nylon
Valve head	Brass & NBR
Remaining seals	NBR

General

Dial

Pilot

Proportional

Precision

Water

**K**

Regulator Products



For inventory, lead time, and kit lookup, visit [www.pdnplu.com](http://www.pdnplu.com)

K65

**Parker Hannifin Corporation**  
Pneumatic Division  
Richland, Michigan  
[www.parker.com/pneumatics](http://www.parker.com/pneumatics)

**How to change parameters – How to Videos available at [www.parker.com/pneu/propreg](http://www.parker.com/pneu/propreg)**

Pressing the Accept key “acc” for more than 3 seconds, will activate parameter change mode. The user can then select the parameters by pressing up or down key (display will show Pxx). When parameter number is correct, pressing accept again will enter parameter number (display will show parameter value).

Pressing the up or down key will change the parameter itself (display will flash indicating parameter editing mode). Pressing the accept key will accept the new parameter value (all digits will flash whilst being accepted).

After releasing all keys, the next parameter number will be presented on the display (you may step to the next parameter). When no key is pressed, after 3 seconds the display will show the actual output pressure.

When the unit is initially powered up allow approximately 10 seconds for the unit to “boot-up” before changing parameter settings.

Only parameter numbers 0, 4, 6, 8, 9, 14, 18, 19, 20, 12, 13 and 21 are accessible to edit. All other parameters are fixed.

**Manual mode:**



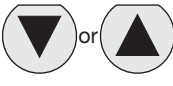

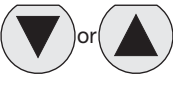







When keys DOWN and UP are pressed during startup, (connecting to the 24V power supply) manual mode is activated. This means that the user is able to in/decrease the output pressure of the regulator, by pressing the UP or DOWN key. During this action the display will blink, indicating that the manual mode is activated. After powering up again, the unit will revert back to normal mode.

**Back to Factory Setting**

After start up. (Power is on)

Entering this value in parameter 0 will store the calibrated factory data into the working parameters. (Default calibration data is used)



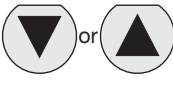

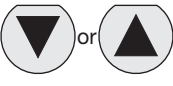







**Parameter Number 0 – Reset Back to Factory Settings**

Step	1	2	3	4	5	
<b>Press</b> 	 3-6 seconds					
<b>Until Display Reads</b>			 Flashing Decimal	 Flashing Decimal	 Flashing	
<b>Description</b>	Accesses changeable parameters.	Accesses parameter no. 0.	Displays current parameter value.	Edits parameter. 3 = standard factory settings. If other than 3, use Up or Down Arrow and accept 3	Accepts and saves new parameter setting.	Sequences to next parameter.

**Set Control Signal**

The unit is factory set for 0-10 V control signal. If 4-20 mA control signal is required, change parameter 4.

**Parameter Number 4 – Set Control Signal in Volts or Milliamps**

Step	1	2	3	4	5	
<b>Press</b> 	 3-6 seconds					
<b>Until Display Reads</b>			 Flashing Decimal	 Flashing Decimal	 Flashing	
<b>Description</b>	Accesses changeable parameters.	Accesses parameter no. 4.	Displays current parameter value. 1 = V 0 = mA	Edits parameter.	Accepts and saves new parameter setting.	Sequences to next parameter.

How to Videos at [www.parker.com/pneu/propreg](http://www.parker.com/pneu/propreg)



For inventory, lead times, and kit lookup, visit [www.pdnplu.com](http://www.pdnplu.com)

K66

**Parker Hannifin Corporation**  
 Pneumatic Division  
 Richland, Michigan  
[www.parker.com/pneumatics](http://www.parker.com/pneumatics)

**Set Output Signal**

Parameter 6 is used to set the type of output signal to your PLC.  
This parameter is used as follows:

Output Signal option “0” = Digital Output – PNP

- Factory set at “0” Non Adjustable

Output Signal option “P” = Digital PNP or Analog 1-10V

- Factory set at “1” for Analog Signal
- Convert to Digital PNP by changing parameter to “0” setting



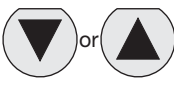

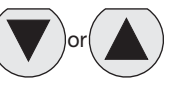







Output Signal option “N” = Digital NPN or Analog 1-10V

- Factory set at “1” Analog Signal
- Convert to Digital NPN by changing parameter to “0”

Output Signal option “M” = Analog 4-20 mA

- Factory set at “2” Non Adjustable

**Parameter Number 6 – Set Output Signal**

Step	1	2	3	4	5	
<b>Press</b> 	 3-6 seconds					
<b>Until Display Reads</b>			 Flashing Decimal	 Flashing Decimal (Value 0, 1 or 2)	 Flashing	
<b>Description</b>	Accesses changeable parameters.	Accesses parameter no. 6.	Displays current parameter value. 1 = m factory default for P3H with analog options	Edits parameter. 0 = digital (NPN or PNP) 1 = analog 0..10V 2 = analog 4..20 mA	Accepts and saves new parameter setting.	Sequences to next parameter.



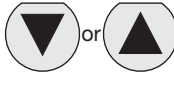

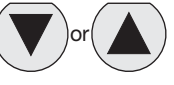







**Adjust Span Analog Output Signal**

Set value is a % of Full Analog range. As an example for a 0-10V output signal, the original factory setting of 100% will give you an adjustment of 0-10V. If you reset Parameter 8 to 50%, the new output range would be 0-5V or 50% of the full range.

In the event that the output signal is to low, in a certain application, you can adjust it by increasing Parameter 8 to a maximum value of 130% of scale.

Note that all values are nominal and that an actual measurement may be required to ensure signal strength.

**Parameter Number 8 – Adjust Span Analog Output Signal**

Step	1	2	3	4	5	
<b>Press</b> 	 3-6 seconds					
<b>Until Display Reads</b>			 Flashing Decimal (For 2 bar versions value = 92)	 Flashing Decimal (Value between 0 and 130)	 Flashing	
<b>Description</b>	Accesses changeable parameters.	Accesses parameter no. 8.	Displays current parameter value.	Edits parameter.	Accepts and saves new parameter setting and implements the new analog signal span.	Sequences to next parameter.

How to Videos at [www.parker.com/pneu/propreg](http://www.parker.com/pneu/propreg)



For inventory, lead time, and kit lookup, visit [www.pdnplu.com](http://www.pdnplu.com)

K67



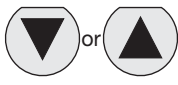

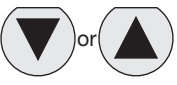







**Parker Hannifin Corporation**  
Pneumatic Division  
Richland, Michigan  
[www.parker.com/pneumatics](http://www.parker.com/pneumatics)

General  
Dial  
Pilot  
Proportional  
Precision  
Water  
K  
Regulator Products

**Adjust Digital Display**

If necessary, adjustments can be made to the digital display when using an external pressure sensor.



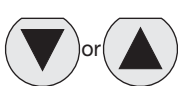

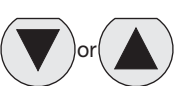







**Parameter Number 9 – Adjust Digital Display Value (Pressure Calibration)**

Step	1	2	3	4	5	
<b>Press</b> 	 3-6 seconds					
<b>Until Display Reads</b>			 Flashing Decimal	 Flashing Decimal	 Flashing	
<b>Description</b>	Accesses changeable parameters.	Accesses parameter no. 9.	Displays current digital display	Use up or down arrows and accept to adjust the display value if using an external pressure sensor.	Accepts and saves new parameter setting.	Sequences to next parameter.

**Set Pressure Scale**

Units with NPT port threads are supplied with a factory set psig pressure scale. Use parameter 14 to change scale to bar.

**Parameter Number 14 – Set Pressure Scale in psig or bar**

Step	1	2	3	4	5	
<b>Press</b> 	 3-6 seconds					
<b>Until Display Reads</b>			 Flashing Decimal	 Flashing Decimal	 Flashing	
<b>Description</b>	Accesses changeable parameters.	Accesses parameter no. 14.	Displays current parameter value. 1 = psig 0 = bar 2 = MPa	Edits parameter.	Accepts and saves new parameter setting.	Sequences to next parameter.

How to Videos at [www.parker.com/pneu/propreg](http://www.parker.com/pneu/propreg)



For inventory, lead times, and kit lookup, visit [www.pdnplu.com](http://www.pdnplu.com)

K68



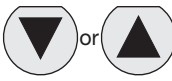

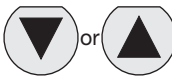


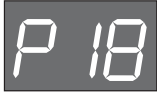



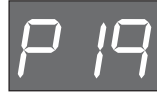
**Parker Hannifin Corporation**  
Pneumatic Division  
Richland, Michigan  
[www.parker.com/pneumatics](http://www.parker.com/pneumatics)



**Preset Minimum Pressure**

If there is a need for a pre-set Minimum pressure, use parameter 18. (Note: preset pressure is affected by % P19.)

**Parameter Number 18 – Set Minimum Preset Pressure**

Step	1	2	3	4	5	
<b>Press</b> 	 3-6 seconds					
<b>Until Display Reads</b>			 Flashing Decimal	 Flashing Decimal (value between 0 and 200)	 Flashing	
<b>Description</b>	Accesses changeable parameters.	Accesses parameter no. 18.	Displays current parameter value. Incremental value is: <u>2 bar unit:</u> x 2 mbar x % P19  <u>10 bar unit:</u> x 10 mbar x % P19	Edits parameter.	Accepts and saves new parameter setting.	Sequences to next parameter.

**Set Pressure Correction**



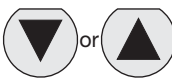

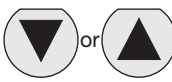


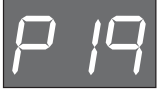




Pressure correction allows the user to set a Maximum pressure as a percentage of secondary pressure F.S.

**Example:** If F.S. is 10 bar, set parameter 19 to 50 for Maximum preset pressure of 5 bar.

Pressure correction also affects the Minimum preset pressure in parameter 18.

**Example:** If F.S. is 10 bar and parameter 18 is set to a value of 100 (1 bar), and parameter 19 is set to 50%, then the actual Minimum preset pressure seen is 0.5 bar.

**Parameter Number 19 – Set Maximum Preset Pressure**

Step	1	2	3	4	5	
<b>Press</b> 	 3-6 seconds					
<b>Until Display Reads</b>			 Flashing Decimal	 Flashing Decimal (value between 0 and 100)	 Flashing	
<b>Description</b>	Accesses changeable parameters.	Accesses parameter no. 19.	Displays current parameter value. Incremental value is: % of F.S.	Edits parameter.	Accepts and saves new parameter setting.	Sequences to next parameter.

How to Videos at [www.parker.com/pneu/propreg](http://www.parker.com/pneu/propreg)



For inventory, lead time, and kit lookup, visit [www.pdnplu.com](http://www.pdnplu.com)

K69

**Parker Hannifin Corporation**  
 Pneumatic Division  
 Richland, Michigan  
[www.parker.com/pneumatics](http://www.parker.com/pneumatics)

General

Dial

Pilot

Proportional

Precision

Water

**K**



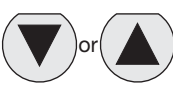

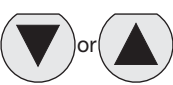







Regulator Products

General

**Behavior Control**

The regulation speed of the pressure regulator can be modified by means of one parameter. (P 20)  
The value in this parameter has a range from 0-5. A higher value indicates slower regulation speed, but will be more stable.

**Parameter Number 20 – Set Behavior Control**

Step	1	2	3	4	5	
<b>Press</b> 	 3-6 seconds					
<b>Until Display Reads</b>			 Flashing Decimal	 Flashing Decimal (value between 0 and 5)	 Flashing	
<b>Description</b>	Accesses changeable parameters.	Accesses parameter no. 20.	Displays current parameter value.	Edits parameter 0 = custom set* 1 = fastest (narrow proportional band) 2 = fast 3 = normal 4 = slow 5 = slowest (proportional band is broad)	Accepts and saves new parameter setting.	Sequences to next parameter.

\* When the value 0 is entered, you are able to create your own custom settings true parameters 12, 13 and 21.

Dial

Pilot

Proportional



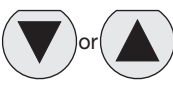

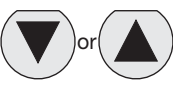







Precision

Water

**Fine Settings  
Set Proportional Band**

Proportional band is used for setting the reaction sensitivity of the regulator. The displayed value is X 10 mbar and has a range between 50 (0.5 bar) and 250 (2.5 bar).

**Parameter Number 12 – Set Proportional Band (P20 Must be Set to 0)**

Step	1	2	3	4	5	
<b>Press</b> 	 3-6 seconds					
<b>Until Display Reads</b>			 Flashing Decimal	 Flashing Decimal (value between 50 and 250)	 Flashing	
<b>Description</b>	Accesses changeable parameters.	Accesses parameter no. 12.	Displays current parameter value. Incremental value is: x 10 mbar	Edits parameter.	Accepts and saves new parameter setting.	Sequences to next parameter.

How to Videos at [www.parker.com/pneu/propreg](http://www.parker.com/pneu/propreg)



For inventory, lead times, and kit lookup, visit [www.pdnplu.com](http://www.pdnplu.com)



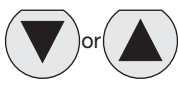

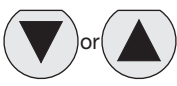



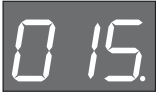



K70

**Parker Hannifin Corporation**  
Pneumatic Division  
Richland, Michigan  
[www.parker.com/pneumatics](http://www.parker.com/pneumatics)

**Set Deadband**



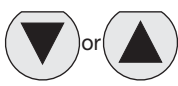

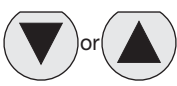







Deadband is the Minimum limit of accuracy at which the regulator is set for normal operation. The displayed value is X 10 mbar and has a range between 4 (40 mbar) and 40 (400 mbar).

**Parameter Number 13 – Set Deadband (P20 Must be Set to 0)**



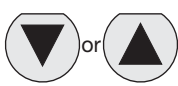




Step	1	2	3	4	5	
<b>Press</b> 	 3-6 seconds					
<b>Until Display Reads</b>			 Flashing Decimal	 Flashing Decimal (value between 4 and 40)	 Flashing	
<b>Description</b>	Accesses changeable parameters.	Accesses parameter no. 13.	Displays current parameter value. Incremental value is x 10 mbar	Edits parameter.	Accepts and saves new parameter setting.	Sequences to next parameter.

**Proportional Effect**

**Parameter Number 21 – Set Proportional Effect (P20 Must be Set to 0)**

Step	1	2	3	4	5	
<b>Press</b> 	 3-6 seconds					
<b>Until Display Reads</b>			 Flashing Decimal	 Flashing Decimal (value between 5 and 100)	 Flashing	
<b>Description</b>	Accesses changeable parameters.	Accesses parameter no. 21.	Displays current parameter value.	Edits parameter. 5 = fastest regulation 100 = slowest regulation.	Accepts and saves new parameter setting.	Sequences to next parameter.

**Parameter Number 39 – Displays Current Software Version**

Step	1	2	3			
<b>Press</b> 	 3-6 seconds					
<b>Until Display Reads</b>			 Flashing Decimal			
<b>Description</b>	Accesses changeable parameters.	Accesses parameter no. 39.	Displays current parameter value. XXX = current software version			

How to Videos at [www.parker.com/pneu/propreg](http://www.parker.com/pneu/propreg)



For inventory, lead time, and kit lookup, visit [www.pdnplu.com](http://www.pdnplu.com)

K71

**Parker Hannifin Corporation**  
 Pneumatic Division  
 Richland, Michigan  
[www.parker.com/pneumatics](http://www.parker.com/pneumatics)

General

Dial

Pilot

Proportional

Precision

Water

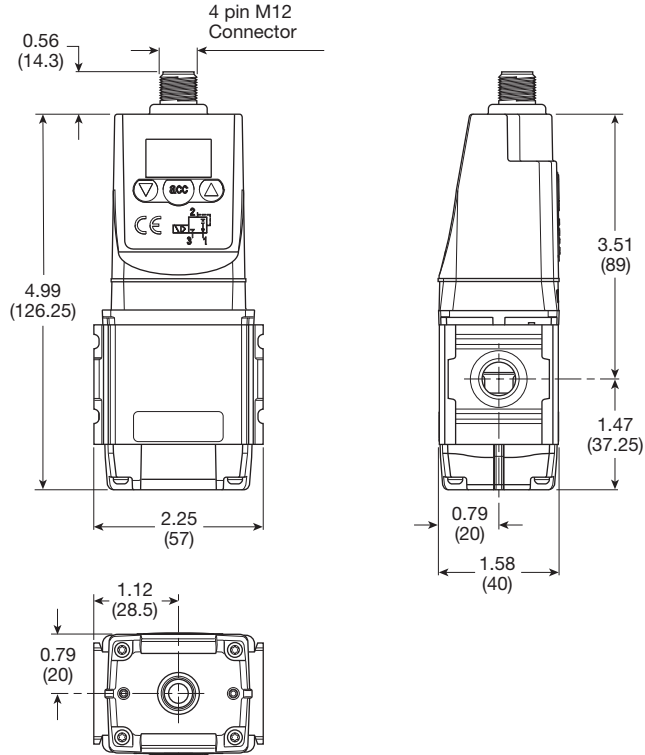
**K**

Regulator Products

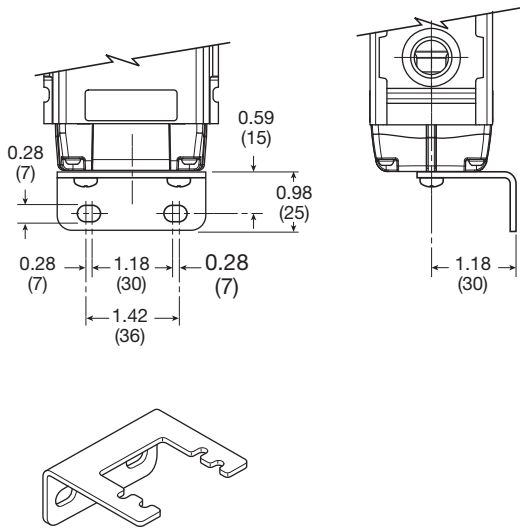
General
Dial
Pilot
Proportional
Precision
Water
<b>K</b> Regulator Products

**P31P**

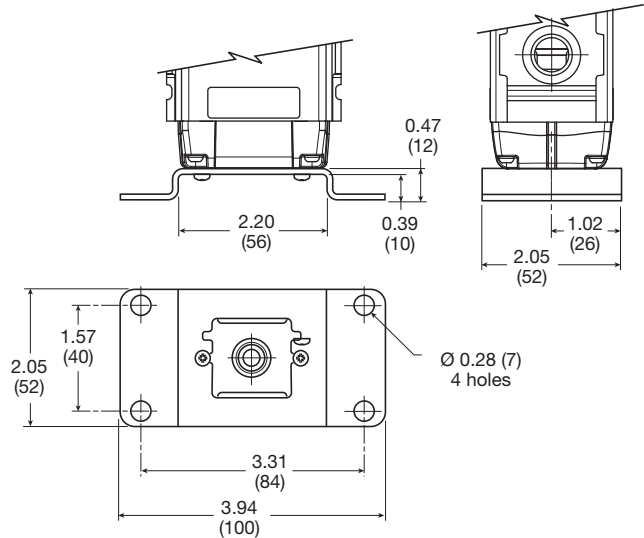
Dimensions inches (mm)



**L-Bracket  
P3HKA00ML**



**Foot Bracket  
P3HKA00MC**



**Cables**

Description	Part number
2 mtr. cable with moulded straight M12x1 connector	<b>CB-M12-4P-2M</b>

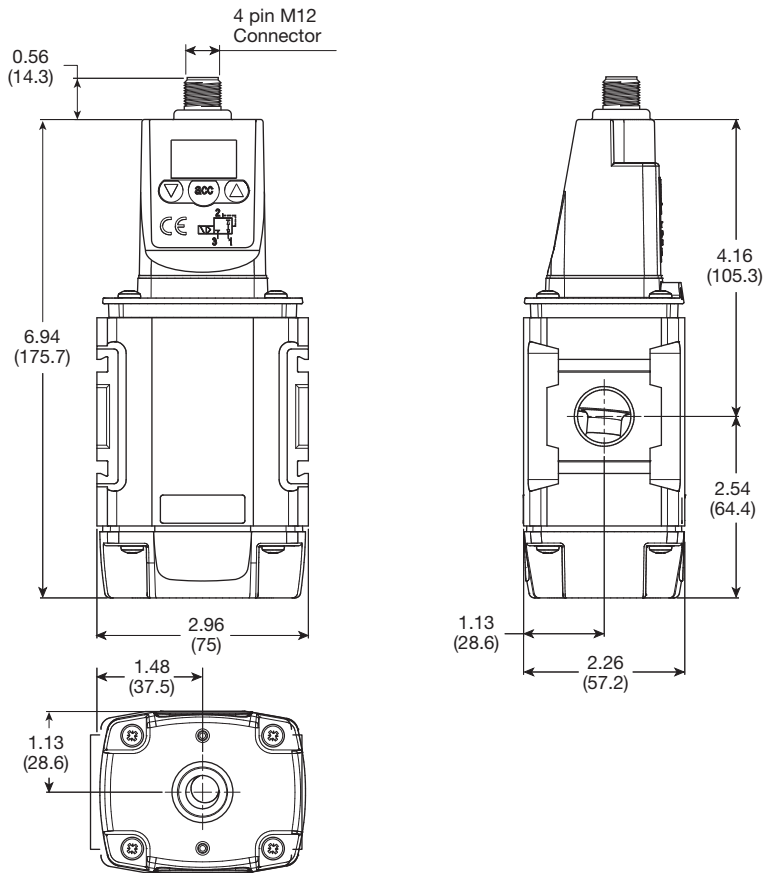
Most popular.



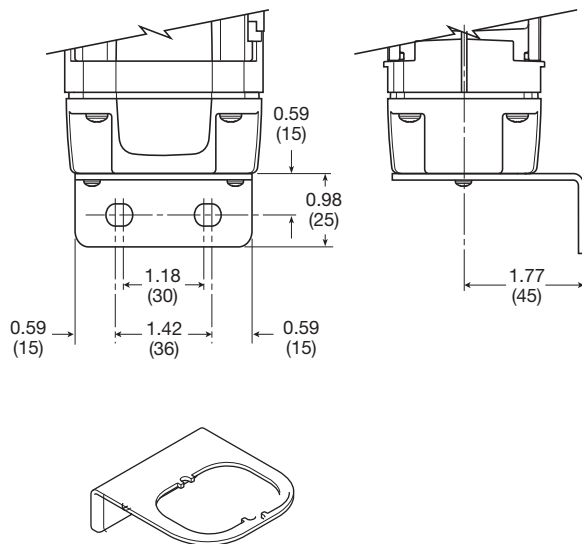
For inventory, lead times, and kit lookup, visit [www.pdnplu.com](http://www.pdnplu.com)

**P32P**

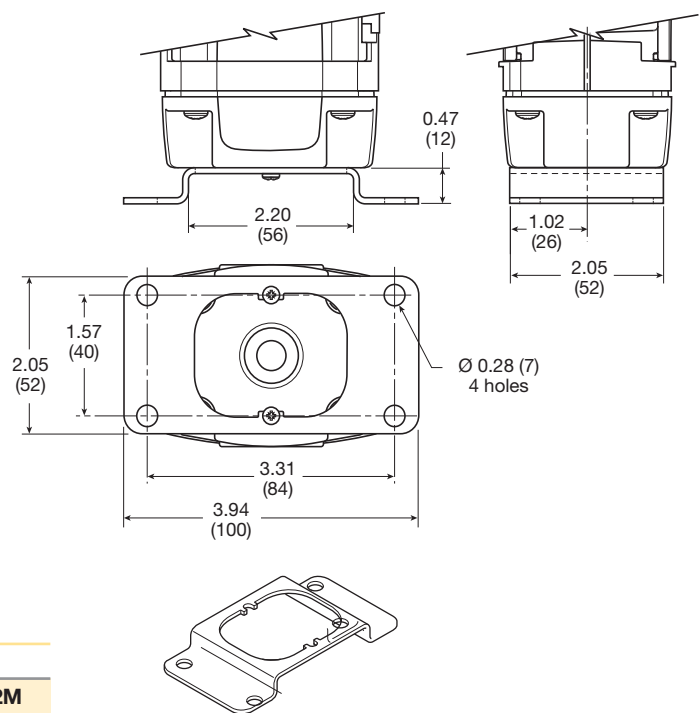
Dimensions inches (mm)



**L-Bracket  
P3KKA00ML**



**Foot Bracket  
P3KKA00MC**



**Cables**

Description	Part number
2 mtr. cable with moulded straight M12x1 connector	<b>CB-M12-4P-2M</b>

Most popular.



For inventory, lead time, and kit lookup, visit [www.pdnplu.com](http://www.pdnplu.com)

K73

**Parker Hannifin Corporation**  
Pneumatic Division  
Richland, Michigan  
[www.parker.com/pneumatics](http://www.parker.com/pneumatics)

General

Dial

Pilot

Proportional

Precision

Water

**K**

Regulator  
Products

## PAR™-15 Programmable Air Regulating Valve

PAR™-15 is a unique 3-Way, programmable, air regulating valve that functions as a precise, high-flow, multi-purpose regulator.

Signals from a computer, programmable controllers or from simple electrical switches, fed to the valve's four solenoids, control the division of a single inlet pressure into any one of fifteen equally spaced output pressures.

The valve's response is instant and repeatable, reducing the need for expensive feedback controls.

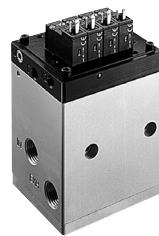
It goes far beyond the capabilities of conventional controls by providing a limitless range of application possibilities including cylinder pressure/stroke control, clamping, retracting, approach, flow, and impact.

PAR™-15 eliminates shock absorbers, increases tool life, saves air, and reduces workpiece damage.

- Full flow capacity for direct air device operation.
- Quick, full flow exhaust.
- Instantly repeatable response.
- Air saving design, close crossover, non-constant bleed.
- Wide range of discrete output pressures.
- Normally closed or normally open operators.
- Compatible with computers and programmable controllers with digital solid state relay outputs.
- Meets NEMA 4 standard (6-Pin option only).

### Life Expectancy

Normal multi-million cycle life expectancy of these valves is based on the use of properly filtered air at room temperature.



No Enclosure



NEMA 4 Enclosure –  
6-Pin Connector

### Operating information

Pressure range:	
Inlet (max)	150 psig (1035 kPa)
Output (min)	6 psig (41 kPa)
Temperature range (ambient)†:	32°F to 140°F (0°C to 60°C)
Voltage range:	+10% to -10% of rating
Flow capacity:	
Inlet to outlet	275 scfm (129.8 dm³/s, ANR)
Outlet to exhaust	225 scfm (106.2 dm³/s, ANR)
Output response:	20 milliseconds
Weight:	
Without enclosure	6.3 lb (2.9 kg)
With 6-pin & cord	8.0 lb (3.6 kg)

**⚠ † Caution:** If it is possible that the ambient temperature may fall below freezing, the media must be moisture free to prevent internal damage or unpredictable behavior.

### Solenoid Operated – Normally Closed – Internal Pilot\*

Port Size			Solenoid Operated – Normally Closed – Internal Pilot*	
Body	Pilot	Voltage/Cycle	No Enclosure	NEMA 4 Enclosure - 6-Pin Connector
			Quadrant 2 †	Quadrant 4 †
1/2"	1/8"	24V/60Hz	<b>W21540172B</b>	<b>W21542172B</b>
1/2"	1/8"	12VDC	<b>W21540175B</b>	<b>W21542175B</b>
1/2"	1/8"	24VDC	<b>W21540179B</b>	<b>W21542179B</b>
1/2"	1/8"	110/120V / 50/60Hz	<b>W21540183B</b>	<b>W21542183B</b>

\* Normally open and external pilot options also available.

† Theoretically Quadrant 1 is defined as the 6-Pin connector on the same face with the inlet port. Looking from the top down and rotating the enclosure clockwise 90° you get Quadrant 2 or 270° for Quadrant 4.

### Material Specifications

Body, Bottom and Top Plates	Aluminum
Divider	Aluminum
Piston	Acetal
Poppet	Aluminum
Poppet guide	Aluminum
Poppet seal	Fluorocarbon
Seals	Nitrile
Spring	Stainless steel

Most popular.

### Lubrication

Although the valve does not require lubrication for a normal service life, use of SAE 10 mineral base oil is recommended to extend component life. This should be supplied using a 1/2 inch full flow lubricator located upstream of the valve inlet port.

**CAUTION:**  
**DO NOT USE SYNTHETIC, RECONSTITUTED, OR OILS WITH AN ALCOHOL CONTENT.**

### Wiring

Follow all national and local electrical codes.



For inventory, lead times, and kit lookup, visit [www.pdnplu.com](http://www.pdnplu.com)

**Ordering information:**

**W21**

**5**

**4**

**2**

**1**

**83**

**L**

**B**

Basic Series	
PAR™-15 Version 2.0	W21

Actuation	
Solenoid Operated	5

Port Size / Thread Type	
1/2" NPT	4

Voltage	
72	24V/60 Hz
75	12VDC
79	24VDC
83	120/110V 60/50 Hz

Solenoid Type / Pilot Source	
1	Normally Closed / Internal Pilot
3	Normally Closed / External Pilot
5	Normally Open / Internal Pilot
7	Normally Open / External Pilot

Engineering Level	
B	Current

Label / Temp Option	
Blank	Standard Temperatures

Enclosure / Connector Quadrant			
No enclosure	0	Nema 4 enclosure with 6-pin micro connector at quadrant 4, cord included	F
Metal enclosure with 7/8" conduit opening at quadrant 2	1	Nema 4 enclosure with 6-pin micro connector at quadrant 2, no cord	G
Nema 4 enclosure with 6-pin mini connector quadrant 2, cord included	2	Nema 4 enclosure with 6-pin micro connector at quadrant 4, no cord	H
Metal enclosure with 7/8" conduit opening at quadrant 4	3	Lighted enclosure with 6-pin micro connector at quadrant 2, cord included	K*
Nema 4 enclosure with 6-pin mini connector quadrant 4, cord included	4	Lighted enclosure with 6-pin micro connector at quadrant 2, no cord	L*
Nema 4 enclosure with 6-pin mini connector quadrant 2, no cord	5	Lighted enclosure with 6-pin mini connector at quadrant 4, cord included	M*
Nema 4 enclosure with 6-pin mini connector quadrant 4, no cord	6	Lighted enclosure with 6-pin mini connector at quadrant 4, no cord	N*
Lighted enclosure with 6-pin mini connector at quadrant 2, cord included	B*	Lighted enclosure with 6-pin micro connector at quadrant 4, cord included	P*
Lighted enclosure with 6-pin mini connector at quadrant 2, no cord	C*	Lighted enclosure with 6-pin micro connector at quadrant 4, no cord	Q*
Nema 4 enclosure with 6-pin micro connector at quadrant 2, cord included	E		

Theoretically, Quadrant 1 is defined as the 6-Pin Connector on the same face with the inlet port. Looking from the top down and rotating the enclosure clockwise 90° you get Quadrant 2 or 270° for Quadrant 4.

\* Available in 24VDC and 120VAC Only. Not NEMA 4 rated.

General  
Dial  
Pilot  
Proportional  
Precision  
Water  
Regulator Products

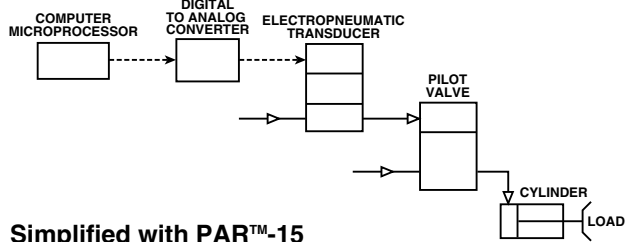
K

**Electropneumatic System**

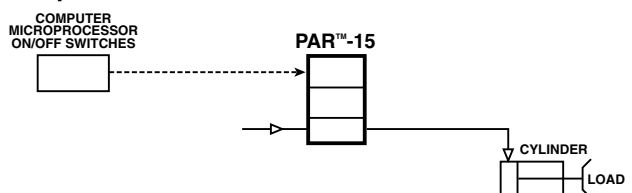
A conventional system is usually composed by several electronic and pneumatic components as shown on the schematic. The cylinder which is moving a load is operated with a pilot valve which receives the instructions from an electropneumatic transducer. The transducer converts electronic signals to pneumatic signals. These electronic signals are usually of an analog type, but controllers/computer microprocessors send digital signals as outputs, therefore, a digital to analog signal converter is required.

The simplified schematic with the PARTM-15 is reduced to fewer components since the PARTM-15 takes the place of the digital to analog converter, the electropneumatic transducer, and the pilot valve. The benefits being fewer components, and less maintenance and downtime.

**Conventional**



**Simplified with PAR™-15**



For inventory, lead time, and kit lookup, visit [www.pdnplu.com](http://www.pdnplu.com)

K75

General

Dial

Pilot

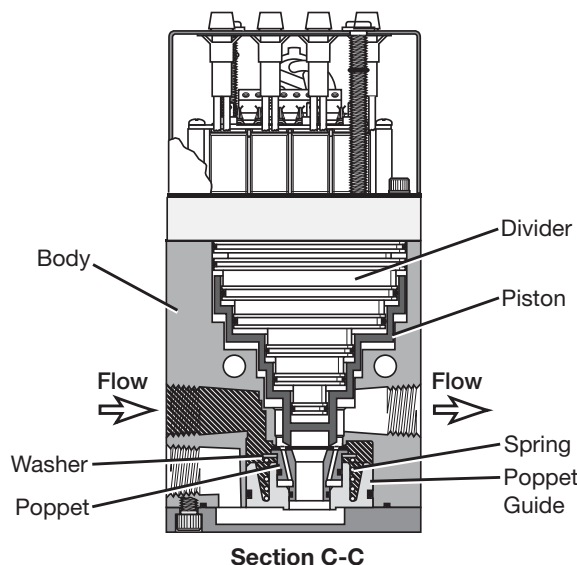
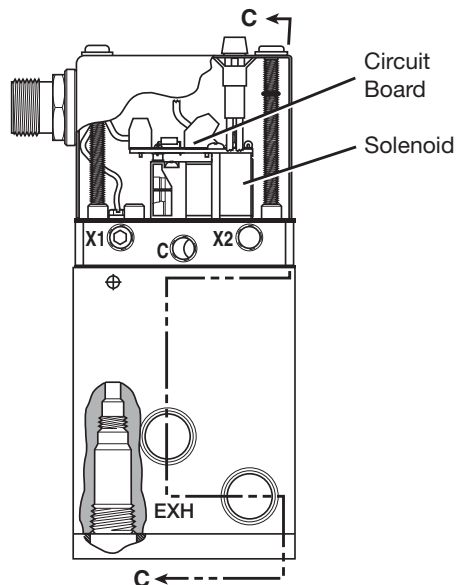
Proportional

Precision

Water

**K**

Regulator  
Products



**Application**

Pneumatic systems operating under multiple pressures, and requiring almost instantaneous pressure changes are good application cases for the PAR™-15. Usually the more pressures needed for a particular operation, the easier it is to justify the valve, since it will take the place of several pneumatic regulators and selector valves.

Among the most common applications are brakes and clutches, painting, printing feeds and tension, robotics, and spot welding.

**Other Applications:**

- Air Chucks
- Air Cylinder Control
- Air Winches
- Blow Molding Control
- Contact Force Control
- Conveyor Control
- Die Cushioning
- Dynamic Braking
- Fuel Control
- Hopper Control
- Robot Gripper Control
- Valve Positioning
- Variable Clamping
- Variable Pressure Processing
- Torque Control
- Wire Tensioning

**Operation**

Four solenoids are controlled by on/off signals that selectively divide any input pressure into any one of 15 equally spaced pressures plus zero. See the truth table.

Full flow exhaust permits instant reduction to any lower selected pressure or zero. High relief capacity quickly vents downstream overpressure. The output pressure will begin to change within 20 milliseconds after a change in the electrical input to one or more of the solenoids. However, the time which elapses until the output pressure reaches the new level will depend upon the volume of air, the size of the connection from the PAR™-15 valve and the magnitude of the pressure change.

A small regulator may be used to feed the external pilot port X1 on units with normally closed solenoid operators or X2 on units with normally open solenoid operators. The PAR™-15 valve will then divide this pressure independent of mainline supply pressure so long as the pilot regulator is set to a pressure below the mainline supply pressure. A regulated external supply will eliminate the effects of fluctuating mainline pressures. (NOTE: A regulator placed upstream of the inlet also eliminates the effects of fluctuating pressures).

The PAR™-15 is available with two types of output pressure regulation: increasing output and decreasing output. In the increasing output pressure regulation type, normally closed solenoid operators are used to divide the input pressure into 15 equal steps, ranging from 0 PSIG (all solenoid operators de-energized) to full line pressure (all solenoid operators energized). With the decreasing output pressure regulation type, normally open solenoid operators are used to divide the input pressure into 15 equal steps, but starting with full line pressure (all solenoid operators de-energized) and ending with 0 PSIG (all solenoid operators energized).



For inventory, lead times, and kit lookup, visit [www.pdnplu.com](http://www.pdnplu.com)



**Truth Table**

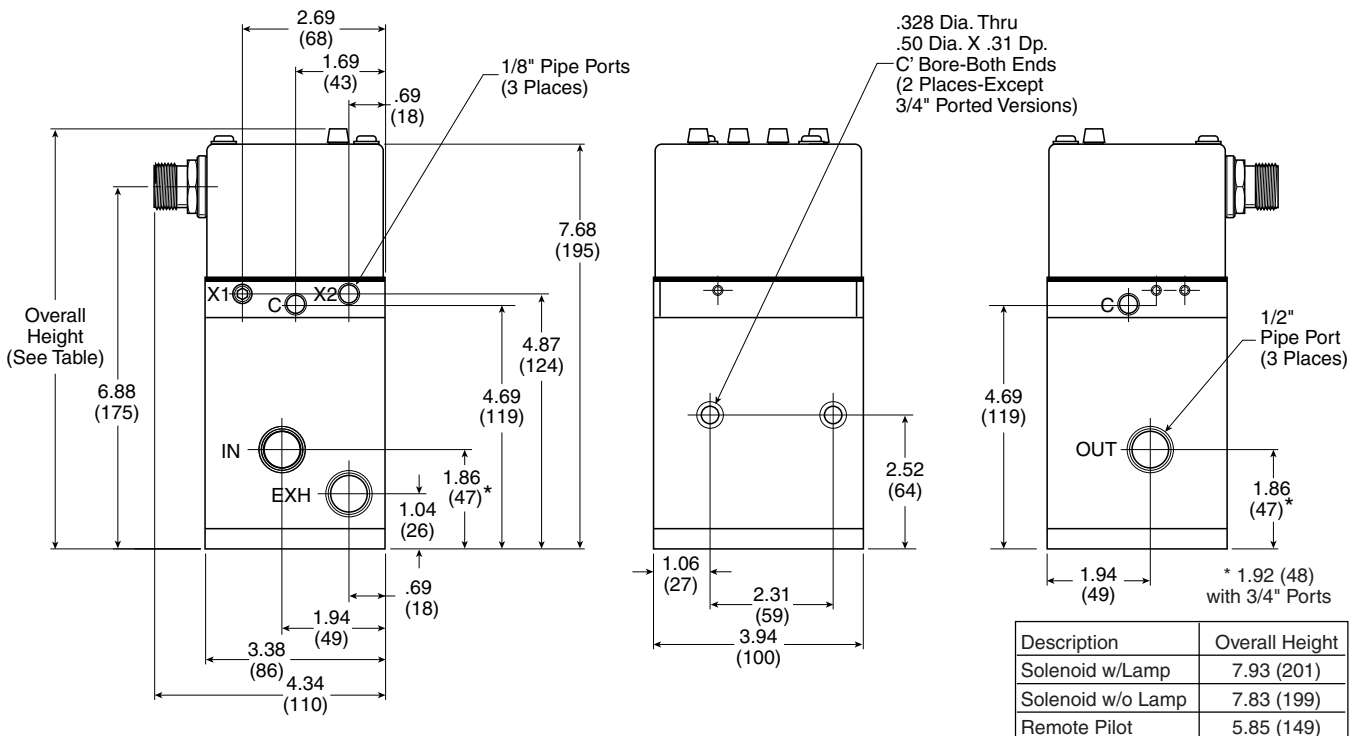
Normally Closed Valves / Solenoids	Normally Open Valves / Solenoids		PSIG Output@ 75 PSIG Inlet <sup>††</sup>	PSIG Output@ 90 PSIG Inlet
Binary Input * 8 4 2 1	Binary Input * 8 4 2 1			
Pin Number <sup>†</sup> 5 3 2 1	Pin Number <sup>†</sup> 5 3 2 1	Proportion of Inlet Pressure		
0 0 0 0	1 1 1 1	0	0	0
0 0 0 1	1 1 1 0	1/15	5	6
0 0 1 0	1 1 0 1	2/15	10	12
0 0 1 1	1 1 0 0	3/15	15	18
0 1 0 0	1 0 1 1	4/15	20	24
0 1 0 1	1 0 1 0	5/15	25	30
0 1 1 0	1 0 0 1	6/15	30	36
0 1 1 1	1 0 0 0	7/15	35	42
1 0 0 0	0 1 1 1	8/15	40	48
1 0 0 1	0 1 1 0	9/15	45	54
1 0 1 0	0 1 0 1	10/15	50	60
1 0 1 1	0 1 0 0	11/15	55	66
1 1 0 0	0 0 1 1	12/15	60	72
1 1 0 1	0 0 1 0	13/15	65	78
1 1 1 0	0 0 0 1	14/15	70	84
1 1 1 1	0 0 0 0	15/15	75	90

Table above illustrates available output pressures for inlet pressures of 75 PSIG and 90 PSIG. Inlet pressure may be any value between 15 and 150 PSIG. Output pressure increment will be 1/15 of inlet pressure.

\* 0 = Voltage "OFF"  
1 = Voltage "ON"

† Available only on units with 6-Pin connector.

†† Shaded output pressures shown are theoretical and are below the minimum operating range of the valve and should not be used. Please refer to the Engineering Specifications for minimum output.



For inventory, lead time, and kit lookup, visit [www.pdnplu.com](http://www.pdnplu.com)

K77

**Parker Hannifin Corporation**  
Pneumatic Division  
Richland, Michigan  
[www.parker.com/pneumatics](http://www.parker.com/pneumatics)

General

Dial

Pilot

Proportional

Precision

Water

**K**

Regulator Products

## Programmable Air Regulating Valve

## Air Preparation Products Regulator Products

### Narrow Band Control

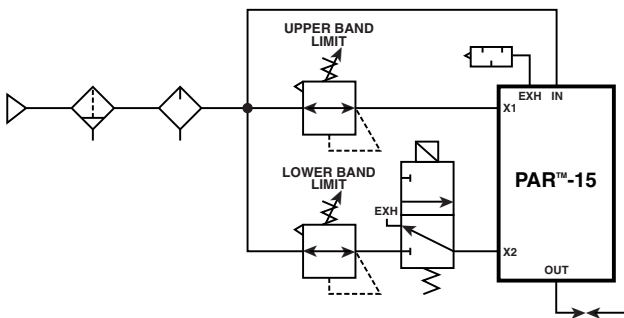
The PAR™-15 can also be used to provide a narrower band of output pressures with the lowest selected pressure greater than zero.

**EXAMPLE:**

Assume valve with normally closed solenoids. Customer desires to divide a range from 25 PSIG to 100 PSIG into 15 increments of 5 PSIG each. This is done by applying 100 PSIG to the external pilot supply port X1 and 25 PSIG to the pilot exhaust port X2.

Two 1/8 inch relieving regulators are required. The addition of one 3-Way normally closed solenoid operated valve allows the additional selection of 0 PSIG. These are connected as shown in the diagram. The relieving regulators set the upper and lower band limits. With a normally closed PAR™-15 valve, zero output pressure may be selected by simultaneously de-energizing the 3-Way valve and the PAR™-15 valve solenoids. With a normally open PAR™-15 valve, zero output pressure may be selected by simultaneously de-energizing the 3-Way valve and energizing the PAR™-15 valve solenoids.

**Narrow Band Control Diagram**



Note: For valves with normally open solenoids, reverse the X1 and X2 connections.

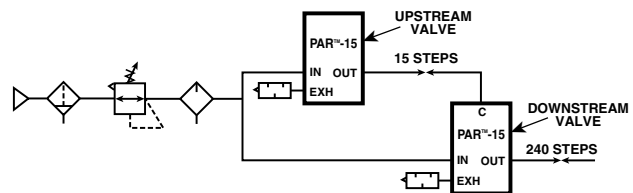
### Cascading

Two PAR™-15's can also be used in conjunction to provide 240 steps (versus 15 steps from one valve), therefore more output pressures. See diagram.

Connect the outlet port marked OUT of the valve upstream to the 1/8" port marked C of the valve downstream. A port/pipe reducer(s) must be used to accomplish this task. If desired, a pressure gauge can be installed between these two points. A gauge isolator should be used to protect the gauge from pulsating pressures.

Connect the outlet port marked OUT of the valve downstream to the supply side of the system requiring multiple pressures. If desired, a pressure gauge can be installed downstream of the outlet port. A gauge isolator should be used to protect the gauge from pulsating pressures.

**Cascade Diagram**



DO NOT PLUG THE 1/8" PORTS MARKED C AND X2 ON THE VALVE UPSTREAM AND X2 ON THE VALVE DOWNSTREAM.

Operation of the valves is the same as mentioned previously under the Operation section. See Cascading Truth Table for the proper input signal to each solenoid, and the resulting proportion of inlet pressure for an output pressure.

A formula can be used to calculate the output pressure of the valve downstream.

$$\text{OUTPUT PRESSURE (PSIG)} = \frac{\text{LINE PRESSURE (PSIG)}}{15} \times \left( \frac{\text{BINARY INPUT UPSTREAM VALVE}}{16} + \frac{\text{BINARY INPUT DOWNSTREAM VALVE}}{\text{VALVE}} \right)$$

**Where:**

**LINE PRESSURE** is the supply pressure to both valves and it must be equal.

**BINARY INPUT UPSTREAM VALVE** is the binary number, a number from 0 to 15 depending on which solenoids are energized (normally closed solenoids) or de-energized (normally open solenoids) on the valve upstream.

**BINARY INPUT DOWNSTREAM VALVE** is the binary number, a number from 0 to 15 depending on which solenoids are energized (normally closed solenoids) or de-energized (normally open solenoids) on the valve downstream.

**EXAMPLE:**

Assume the line pressure is 120 PSIG, the valve upstream has inputs 1 & 2 energized, and the valve downstream has inputs 1 & 8 energized. Also, assume normally closed solenoids. What is the output pressure of the valve downstream?

**SOLUTION:**

BINARY INPUT VALVE UPSTREAM = 1 + 2 = 3

BINARY INPUT VALVE DOWNSTREAM = 1 + 8 = 9

$$\text{OUTPUT PRESSURE} = \frac{120}{15} \times \left( \frac{3}{16} + 9 \right) = 8 \times 9.1875 = 73.5 \text{ PSIG}$$

**K**

Regulator Products



For inventory, lead times, and kit lookup, visit [www.pdnplu.com](http://www.pdnplu.com)

**Truth Table**

	Normally Closed Solenoids		Normally Open Solenoids					
	Down-Step Valve	Up-stream Valve	Down-stream Valve	Up-stream Valve	Down-stream Valve	Up-stream Valve	PSIG Output @	PSIG Output @
	Binary Input*		Binary Input*		Proportion	Proportion	60 PSIG Inlet ††	120 PSIG Inlet ††
	8 4 2 1	8 4 2 1	8 4 2 1	8 4 2 1	of Inlet Pressure +	of Inlet Pressure		
	Pin Number †		Pin Number †					
	5 3 2 1	5 3 2 1	5 3 2 1	5 3 2 1				
0	0000	0000	1111	1111	0	0	0.00	0.00
1	0000	0001	1111	1110	0	1/240	0.25	0.50
2	0000	0010	1111	1101	0	2/240	0.50	1.00
3	0000	0011	1111	1100	0	3/240	0.75	1.50
4	0000	0100	1111	1011	0	4/240	1.00	2.00
5	0000	0101	1111	1010	0	5/240	1.25	2.50
6	0000	0110	1111	1001	0	6/240	1.50	3.00
7	0000	0111	1111	1000	0	7/240	1.75	3.50
8	0000	1000	1111	0111	0	8/240	2.00	4.00
9	0000	1001	1111	0110	0	9/240	2.25	4.50
10	0000	1010	1111	0101	0	10/240	2.50	5.00
11	0000	1011	1111	0100	0	11/240	2.75	5.50
12	0000	1100	1111	0011	0	12/240	3.00	6.00
13	0000	1101	1111	0010	0	13/240	3.25	6.50
14	0000	1110	1111	0001	0	14/240	3.50	7.00
15	0000	1111	1111	0000	0	15/240	3.75	7.50
16	0001	0000	1110	1111	1/15	0	4.00	8.00
17	0001	0001	1110	1110	1/15	1/240	4.25	8.50
18	0001	0010	1110	1101	1/15	2/240	4.50	9.00
19	0001	0011	1110	1100	1/15	3/240	4.75	9.50
20	0001	0100	1110	1011	1/15	4/240	5.00	10.00
21	0001	0101	1110	1010	1/15	5/240	5.25	10.50
22	0001	0110	1110	1001	1/15	6/240	5.50	11.00
23	0001	0111	1110	1000	1/15	7/240	5.75	11.50
24	0001	1000	1110	0111	1/15	8/240	6.00	12.00
25	0001	1001	1110	0110	1/15	9/240	6.25	12.50
26	0001	1010	1110	0101	1/15	10/240	6.50	13.00
27	0001	1011	1110	0100	1/15	11/240	6.75	13.50
28	0001	1100	1110	0011	1/15	12/240	7.00	14.00
29	0001	1101	1110	0010	1/15	13/240	7.25	14.50
30	0001	1110	1110	0001	1/15	14/240	7.50	15.00
31	0001	1111	1110	0000	1/15	15/240	7.75	15.50
32	0000	0000	0010	1011	13/15	4/240	53.00	106.00
212	0000	1111	0010	1011	13/15	4/240	53.00	106.00
213	0000	0000	0010	1010	13/15	5/240	53.25	106.50
214	0000	0000	0010	1001	13/15	6/240	53.50	107.00
215	0000	0000	0010	1000	13/15	7/240	53.75	107.50
216	0000	0000	0010	0111	13/15	8/240	54.00	108.00
217	0000	0000	0010	0110	13/15	9/240	54.25	108.50
218	0000	0000	0010	0101	13/15	10/240	54.50	109.00
219	0000	0000	0010	0100	13/15	11/240	54.75	109.50
220	0000	0000	0010	0011	14/15	12/240	55.00	110.00
221	1110	0101	0001	1011	14/15	0	56.00	112.00
230	1110	0110	0001	1010	14/15	0	57.00	113.00
231	1110	0111	0001	1001	14/15	7/240	57.75	115.50
232	1110	1000	0001	1000	14/15	8/240	58.00	116.00
233	1110	1001	0001	0111	14/15	9/240	58.25	116.50
234	1110	1010	0001	0110	14/15	10/240	58.50	117.00
235	1110	1011	0001	0101	14/15	11/240	58.75	117.50
236	1110	1100	0001	0100	14/15	12/240	59.00	118.00
237	1110	1101	0001	0010	14/15	13/240	59.25	118.50
238	1110	1110	0001	0001	14/15	14/240	59.50	119.00
239	1110	1111	0001	0000	14/15	15/240	59.75	119.50
240	1111	0000	0000	1111	15/15	0	60.00	120.00

Table above illustrates available output pressures for inlet pressures of 75 PSIG and 90 PSIG. Inlet pressure may be any value between 15 and 150 PSIG. Output Pressure increment will be 1/15 of inlet pressure.

\* 0 = Voltage "OFF"  
1 = Voltage "ON"

† Available only on units with 6-Pin connector.

†† Shaded output pressures shown are theoretical and are below the minimum operating range of the valve and should not be used. Please refer to the Engineering Specifications for minimum output.

Note: Full table appears in instruction sheet enclosed with the product.

General

Dial

Pilot

Proportional

Precision

Water

**K**

Regulator Products



For inventory, lead time, and kit lookup, visit [www.pdnplu.com](http://www.pdnplu.com)

K79

**Parker Hannifin Corporation**  
Pneumatic Division  
Richland, Michigan  
[www.parker.com/pneumatics](http://www.parker.com/pneumatics)

## Programmable Air Regulating Valve

## Air Preparation Products Regulator Products

### Solenoid Kits & Electrical Data

#### Class F Solenoids

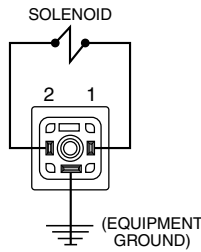
Voltage / cycles	Solenoid type*	Power consumption (watts)	Holding current (AMPS)	Part number
12VDC	NC	1.2W	0.1	<b>PS2982B45P</b>
24VDC	NC	1.2W	0.05	<b>PS2982B49P</b>
120V/60Hz	NC	1.6VA	0.013	<b>PS2982B53P</b>
24V/60Hz	NC	1.6VA	0.066	<b>PS2982B42P</b>
24V/60Hz	NO	2.4VA	0.1	<b>PS3202B42P</b>
12VDC	NO	1.8W	0.15	<b>PS3202B45P</b>
24VDC	NO	1.8W	0.075	<b>PS3202B49P</b>
120V/60Hz	NO	2.4VA	0.02	<b>PS3202B53P</b>

\* NC = Normally Closed  
NO = Normally Open

#### Units with No Enclosure

Connect input and common signals to each one of the solenoids marked with the binary inputs 1, 2, 4 and 8, using the 3-Pin female connector kits shown in the catalog. Follow the installation instructions included with the 3-Pin female connector kits for the proper installation.

If you elect not to use the 3-Pin female connector kits, you may use three female spade connectors per solenoid and connect the wires as shown on the figure.



#### Units with Enclosure and Without 6-Pin Receptacle

Connect input and common signals to the terminal block on the circuit board labelled TB1. Connect each solenoid input (1, 2, 4, & 8) to the respective label on the circuit board. Connect each common to the input labelled C on the circuit board.

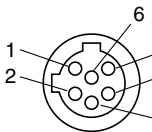
#### Units with Enclosure and 6-Pin Micro Receptacle

These units use the following brand names for 6-Pin micro connectors:

Brand name	Receptacle	Connector w/ 6 foot cord
Brad Harrison	7R6006A19A120	706000D02F060
Joy	5000127-41	5000127-2

Connection is made as shown in the chart below.

Pin	Wire color	Function
1	Red-White	Input 1
2	Red	Input 2
3	Green	Equipment Ground
4	Red-Yellow	Common
5	Red-Black	Input 8
6	Red-Blue	Input 4



Micro

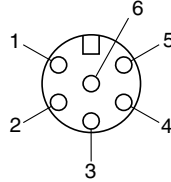
#### Units with Enclosure and 6-Pin Mini Connector

These units use either one of the following brand names for 6-Pin mini connectors:

Brand Name	Receptacle	Connector w/ 6 Foot Cord
Brad Harrison	42605	42602
Joy	X8987-2	X8987-4

Connection is made as shown in the chart below.

Pin	Wire color	Function
1	Orange	Input 1
2	Blue	Input 2
3	Black	Input 4
4	White	Common
5	Red	Input 8
6	Green	Equipment Ground



Mini

#### Units with Enclosure, 6-Pin Connector and Indicator Lamps

Each indicator lamp signals when the corresponding solenoid operator is actuated. Lamps that fail to light may need to be replaced or a check made to see if a connection has become loose.

Follow the service kit instructions included with the repair kits for proper installation of replacement lamps.

For units with DC solenoids and indicator lamps red wire is (+) positive white wire is (-) negative.

**Caution: DC solenoids with indicator lamps are polarity sensitive. Observe polarities indicated above.**

#### Available Lamps

Description	Part number
Lamp (120/60AC) with spring clip	<b>K352428B</b>
Lamp (24VDC) with spring clip	<b>K352429B</b>

#### 15mm 3-Pin DIN 43650C

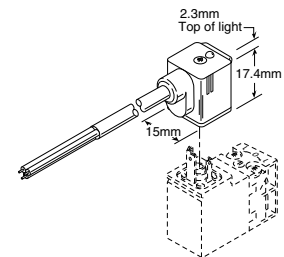
Description	Connector	Connector with 6' (2m) Cord
Unlighted	<b>PS2932BP</b>	<b>PS2932JBP</b>
Light – 12VAC or DC	<b>PS294675BP</b>	<b>PS2946J75BP*</b>
Light – 24VAC or DC	<b>PS294679BP</b>	<b>PS2946J79BP*</b>
Light – 110/120VAC	<b>PS294683BP</b>	<b>PS2946J83BP*</b>

\* LED with surge suppression.

Note: Max ø6.5mm cable size required for connector w/o 6' (2m) cord.

#### Engineering Data:

Conductors: 2 Poles Plus Ground  
Cable Range (Connector Only):  
4 to 6mm (0.16 to 0.24 Inch)  
Contact Spacing: 8mm



#### Service Kit

Piston, poppet assembly, all rubber seals and gaskets

**K352413B**



For inventory, lead times, and kit lookup, visit [www.pdnplu.com](http://www.pdnplu.com)

K80

**Parker Hannifin Corporation**  
Pneumatic Division  
Richland, Michigan  
[www.parker.com/pneumatics](http://www.parker.com/pneumatics)

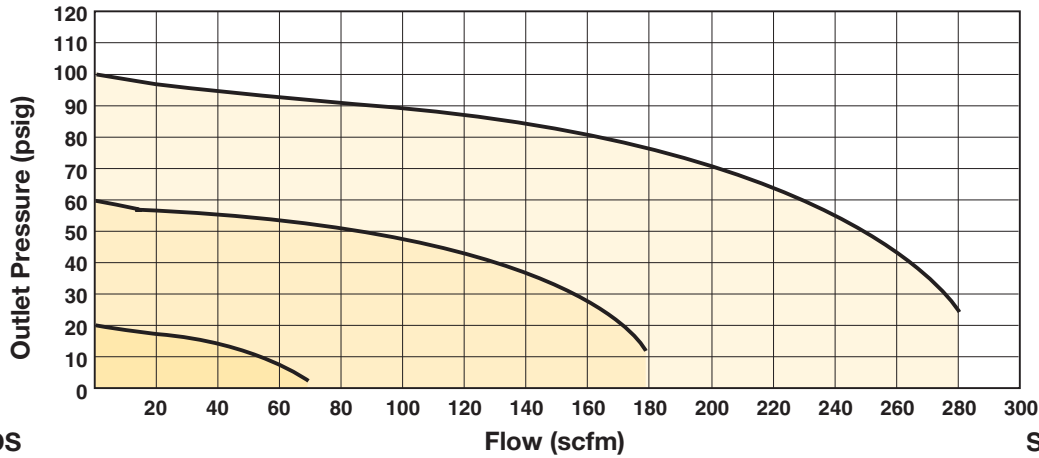
Flow Characteristics

INCREASING  
OUTPUT  
BINARY  
INPUT

8	4	2	1
1	0	1	0
0	1	1	0
0	0	1	0

N.C.  
SOLENOIDS

@ 150 PSIG INLET PRESSURE



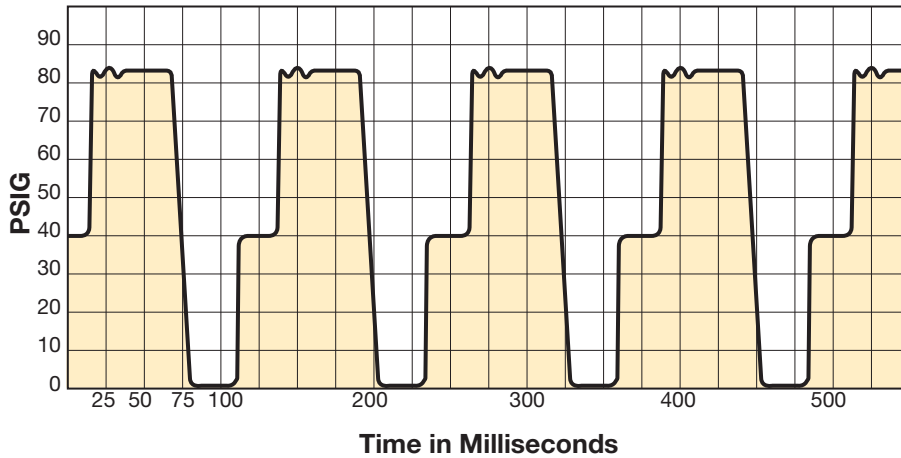
DECREASING  
OUTPUT  
BINARY  
INPUT

8	4	2	1
0	1	0	1
1	0	0	1
1	1	0	1

N.O.  
SOLENOIDS

Typical Time Response

PERFORMANCE CHARACTERISTICS



Actual test results show rapid response on a robot welding operation at a major U.S. automotive manufacturer.

**NOTE:** Although graph illustrates pressure dropping to 0 PSIG at the end of each cycle, the PAR™-15 valve can shift down to intermediate pressure steps, i.e. from 75 PSIG to 45 PSIG, without returning to 0 PSIG first.

General

Dial

Pilot

Proportional

Precision

Water

**K**

Regulator  
Products



For inventory, lead time, and kit lookup, visit [www.pdnplu.com](http://www.pdnplu.com)

K81

Parker Hannifin Corporation  
Pneumatic Division  
Richland, Michigan  
[www.parker.com/pneumatics](http://www.parker.com/pneumatics)

**Lucifer® EPP4 1/4", 1/2" & 1/2" HP**



Part number	Pipe	Max inlet pressure bar (PSIG)	Pressure range bar (PSIG)	Control signal
<b>P4CN2001C001</b>	1/4 NPT	1 to 12 (15 to 174)	0 to 10 (0 to 145)	0 to 10 V **
<b>P4CN4001C001</b>	1/2 NPT	1 to 12 (15 to 174)	0 to 10 (0 to 145)	0 to 10 V **
<b>P4CG4201D003**†</b>	1/2 BSPP	1 to 21 (15 to 305)	0 to 20 (0 to 290)	0 to 10 V **

Notes: For thread type NPT use **N**, for BSPP use **G**.

\* HP (High Pressure).

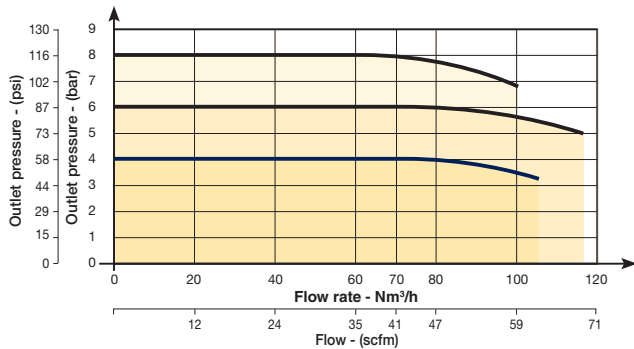
\*\* 4-20mA available via Calys software.

† Only available in BSPP.

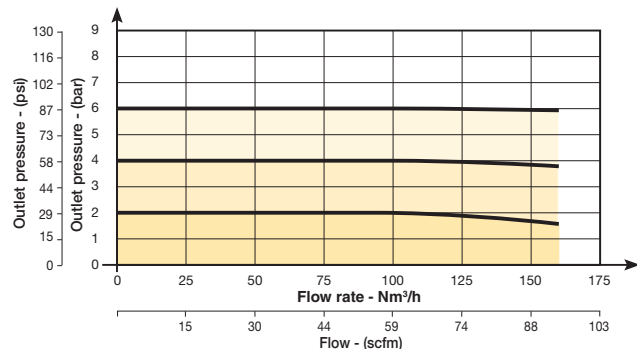
For other configurations not listed please consult factory. (Example: ATEX Series EX: II 3 D/G, O2 compatible, External Pilot, etc.)

**Flow Curves**

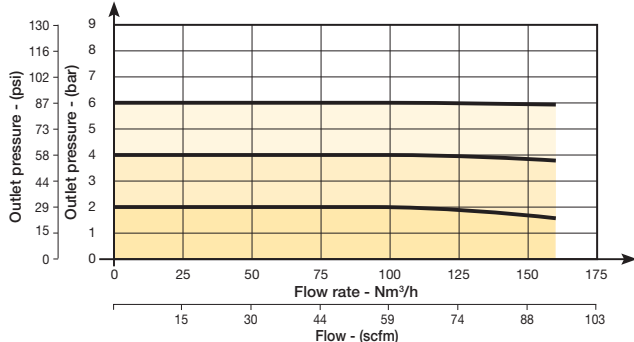
**Flow Curve 1/4"**



**Flow Curve 1/2"**



**Flow Curve 1/2" HP**



For inventory, lead times, and kit lookup, visit [www.pdnplu.com](http://www.pdnplu.com)

K82

**Parker Hannifin Corporation**  
Pneumatic Division  
Richland, Michigan  
[www.parker.com/pneumatics](http://www.parker.com/pneumatics)

General  
 Dial  
 Pilot  
 Proportional  
 Precision  
 Water  
 K  
 Regulator Products

**Lucifer® EPP4 1/4" & 1/2"**

**Technical Data**

	<b>EPP4 1/4"</b>	<b>EPP4 1/2"</b>
<b>Fluids:</b>	Lubricated or non lubricated air and neutral gases - Recommended filtration: 40 µm or better	
<b>Temperature range:</b>	Ambient: 0°C to 50°C (32°F to 122°F) Fluid: 0°C to 50°C (32°F to 122°F)	
<b>Inlet pressure range:</b> The inlet pressure must always be at least 1 bar above the regulated pressure.	1 to 12 bar (14.5 to 174 PSIG)	1 to 12 bar (14.5 to 174 PSIG)
<b>Outlet pressure range:</b>	0.05 to 10 bar (.725 to 145 PSIG)	
<b>Hysteresis:</b>	± 50 mbar (.725 PSIG) (factory set up)	
<b>Air consumption at constant control signal:</b>	0	
<b>Supply voltage:</b>	24 V DC ± 15 % (Max. ripple 1 V)	
<b>Power consumption:</b>	Max. 2.8 W with 24 V DC and constant changes of the control signal < 1.5 W without change of control signal	
<b>Control signal:</b>	Analog 0 - 10 V Analog 4 - 20 mA field convertible	
<b>Outlet sensor signal:</b>	Analog 0 - 10 V Standard for 0 - 10 bar; Adjustable	Digital 0 - 24 V for alarm features: Adjustable pressure error (+/-) Adjustable delay ON Adjustable delay OFF Adjustable logic (+/-)
<b>Max. flow:</b>	70 m³/h (41 SCFM)	150 m³/h (88 SCFM)
<b>Indicative response time:</b>	With a volume of 330 cm³ (20.14 in³) at the outlet of the regulator	
Filling 2 to 4 bar (29 to 58 PSI):	50 msec	60 msec
Filling 2 to 8 bar (29 to 116 PSI):	100 msec	120 msec
Emptying 4 to 2 bar (29 to 116 PSI):	70 msec	90 msec
Emptying 8 to 2 bar (29 to 116 PSI):	130 msec	190 msec
<b>Safety position:</b>	In case of control signal failure or if it is less than 50 mV, the regulated pressure drops automatically to 0 bar (atmospheric pressure). In case of voltage supply failure, the regulated pressure will be kept constant.	
<b>Electrical connection:</b>	M12 - 8 pin; male connector power supply/control signal M12 - 5 pin; male connector communication	
<b>Life expectancy:</b>	> 50 million changes of control signal steps	
<b>Mounting position:</b>	Indifferent (recommended position: upright; electronic part on top)	
<b>Resistance to vibrations:</b>	30 g in all directions	
<b>Degree of protection:</b>	IP65	
<b>Assembly:</b>	Silicone free	
<b>Electromagnetic compatibility: In accordance with:</b>	EN 61000-6-1: 2001 EN 61000-6-2: 2001 EN 61000-6-3: 2001 + A11 2004 edition (01/07/07) EN 61000-6-4: 2001	
<b>Installation and setting instructions:</b>	See Bulletin 408128, 408134 and appendix supplied with the product.	

General

Dial

Pilot

Proportional

Precision

Water

**K**

Regulator Products

**Note:** Parker reserves the right to change specifications without notification.



For inventory, lead time, and kit lookup, visit [www.pdnplu.com](http://www.pdnplu.com)

K83

**Parker Hannifin Corporation**  
Pneumatic Division  
Richland, Michigan  
[www.parker.com/pneumatics](http://www.parker.com/pneumatics)

**Lucifer® EPP4 1/2" HP**

**Technical Data**

**EPP4 1/2" HP**

General	Fluids:	Lubricated or non lubricated air and neutral gases - Recommended filtration: 50 µm
	Temperature range:	Ambient: 0°C to 50°C (32°F to 122°F) Fluid: 0°C to 50°C (32°F to 122°F)
Dial	Inlet pressure range: The inlet pressure must always be at least 1 bar above the regulated pressure.	1 to 21 bar (14.5 to 305 PSIG)
	Outlet pressure range:	0.05 to 20 bar (.73 to 290 PSIG)
Pilot	Hysteresis:	≤ 100 mbar (1.45 PSIG) if P inlet ≤ 10 bar (145 PSIG) ≤ 200 mbar (2.90 PSIG) if P inlet > 10 bar (145 PSIG)
	Air consumption at constant control signal:	0
Proportional	Supply voltage:	24V DC ± 15%
	Power consumption:	Max. 6 W with 24 V DC and constant changes of the control signal < 2 W without change of control signal
	Control signal:	Analog 0 - 10 V Analog 4 - 20 mA field convertible
Precision	Outlet sensor signal:	Analog 0 - 10 V Standard for 0 - 10 bar; Adjustable Analog 4 - 20 mA Standard for 0 - 10 bar; Adjustable
	Max. flow:	150 m³/h (88 SCFM)
Water	Indicative response time:	With a volume of 330 cm³ (20.14 in³) at the outlet of the regulator
	Filling 2 to 8 bar (29 to 116 PSI): Emptying 8 to 2 bar (116 to 29 PSI):	120 msec 190 msec
	Safety position:	In case of control signal failure or if it is less than 50 mV, the regulated pressure drops automatically to 0 bar atmospheric pressure (for pressure ranges from 0-10 bar, 100 mV for pressure range over 10 bar). In case of voltage supply failure, the regulated pressure will be kept constant.
K	Electrical connection:	M12 - 8 pin; male connector power supply/control signal M12 - 5 pin; male connector communication
	Life expectancy:	> 20 Million changes of control signal steps
Regulator Products	Mounting position:	Indifferent (recommended position: upright; electronic part on top)
	Resistance to vibrations:	30 g in all directions
	Degree of protection:	IP65
	Assembly:	Silicone free
	Electromagnetic compatibility: In accordance with:	EN 61000-6-1: 2001 EN 61000-6-2: 2001 EN 61000-6-3: 2001 + A11 2004 edition (01/07/07) EN 61000-6-4: 2001
Installation and setting instructions:	See Bulletin 408193 and appendix supplied with the product.	

**Note:** Parker reserves the right to change specifications without notification.



For inventory, lead times, and kit lookup, visit [www.pdnplu.com](http://www.pdnplu.com)

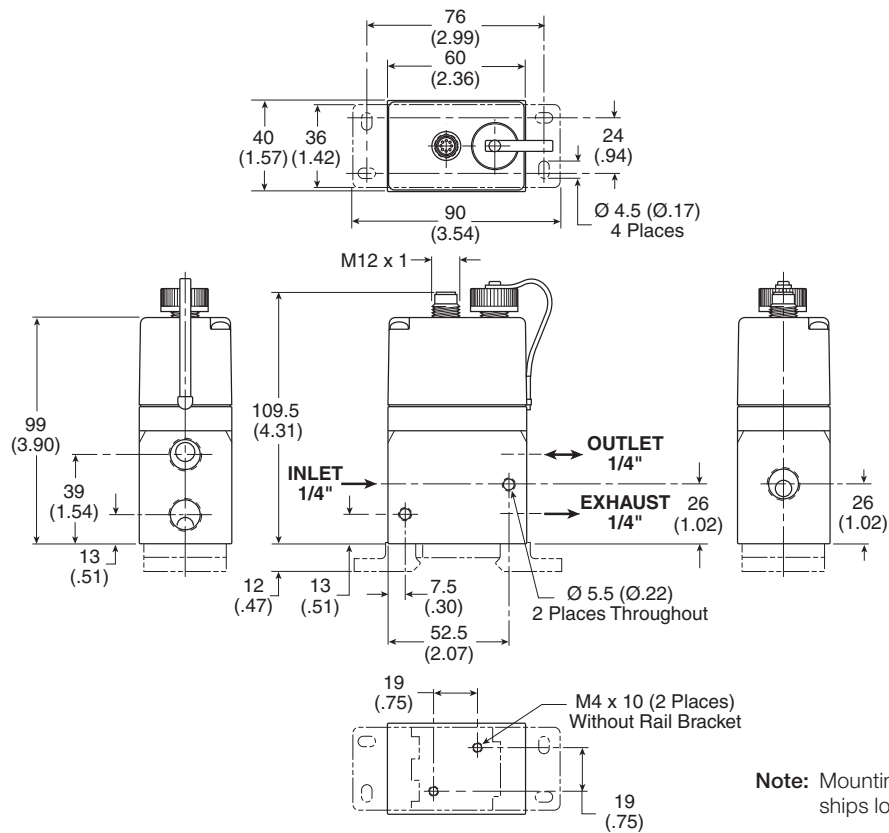
K84

**Parker Hannifin Corporation**  
Pneumatic Division  
Richland, Michigan  
[www.parker.com/pneumatics](http://www.parker.com/pneumatics)

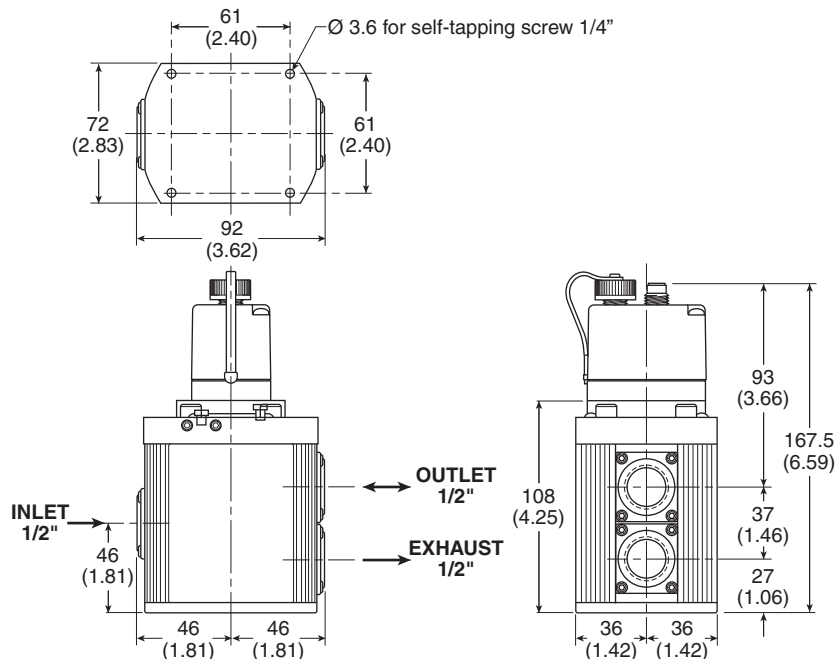


Lucifer® EPP4 1/4" & 1/2"

Dimensions EPP4 1/4"



Dimensions EPP4 1/2"



For inventory, lead time, and kit lookup, visit [www.pdnplu.com](http://www.pdnplu.com)

K85

Parker Hannifin Corporation  
Pneumatic Division  
Richland, Michigan  
[www.parker.com/pneumatics](http://www.parker.com/pneumatics)

General

Dial

Pilot

Proportional

Precision

Water

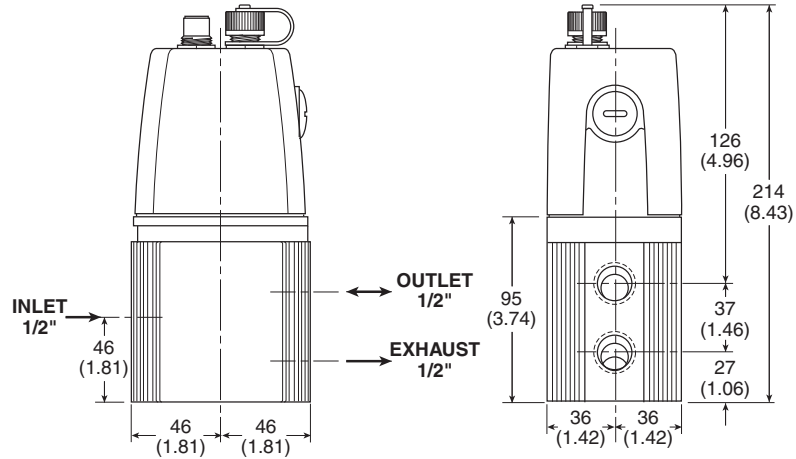
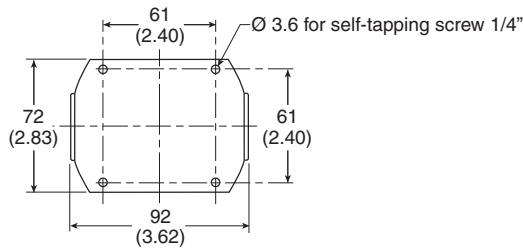
K

Regulator Products

Lucifer® EPP4 1/2" HP

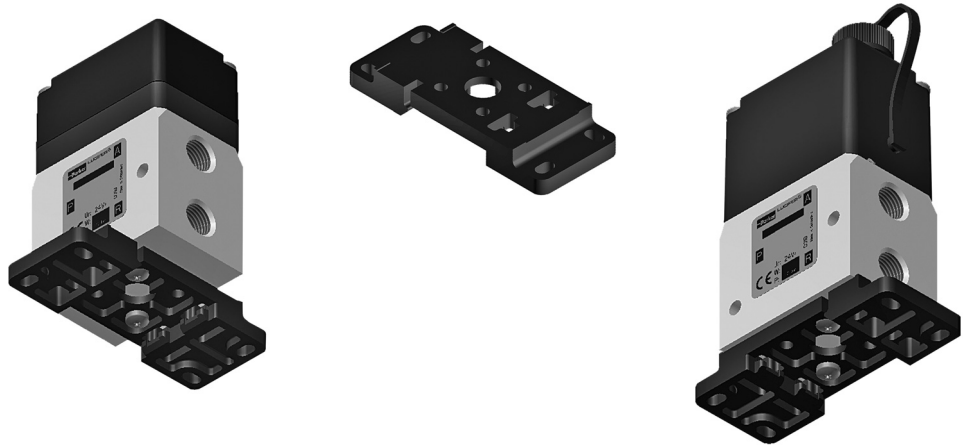
Dimensions EPP4 1/2" HP

General
Dial
Pilot
Proportional
Precision
Water
<b>K</b>
Regulator Products



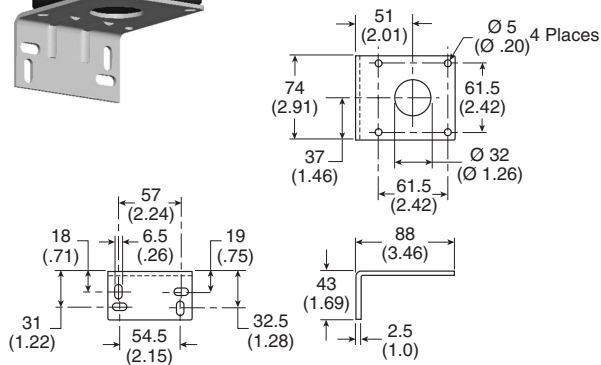
## Lucifer® EPP4 Accessories

### Mounting Brackets for EPP4 1/4"



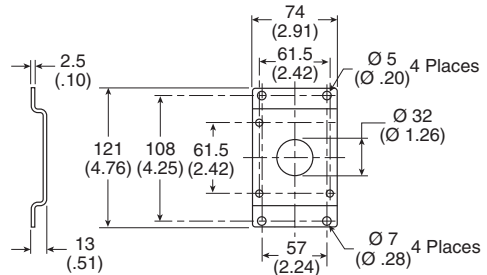
**Note:** Mounting bracket comes standard with all EPP4 1/4" units, and is shipped loose.

### Mounting Brackets for EPP4 1/2"



**L Bracket**

**Part Number 491367**



**Foot Bracket**

**Part Number 491366**



For inventory, lead time, and kit lookup, visit [www.pdnplu.com](http://www.pdnplu.com)

K87

**Parker Hannifin Corporation**  
 Pneumatic Division  
 Richland, Michigan  
[www.parker.com/pneumatics](http://www.parker.com/pneumatics)

General

Dial

Pilot

Proportional

Precision

Water

**K**

Regulator Products

**Lucifer® EPP4 Accessories**

**Power Supply / Control Signal and Communication Cables**

General

Dial

Pilot

Proportional

Precision

Water

**K**

Regulator  
 Products

**EPP4 Cable**

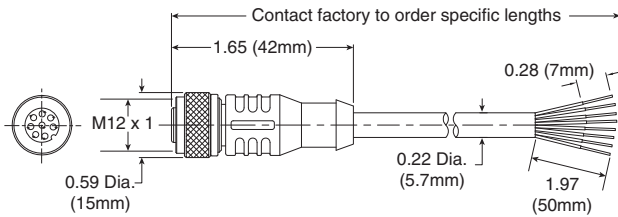
- 2m cable with molded straight M12-8 pole to flying lead

**Part Number RKC8T-2**

**EPP4 Cable**

- 2m cable with molded straight M12-5 pole to USB

**Part Number 496449**



Cable Pin	Color
1	White
2	Brown
3	Green
4	Yellow
5	Grey
6	Pink
7	Blue
8	Red



First M12 / 8 pole connector:  
 power supply & control signal

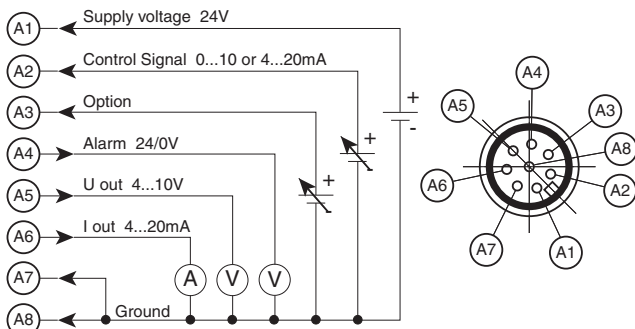
**Electrical Connection (A)**

Second M12 / 5 pole connector:  
 remote display or PC communication

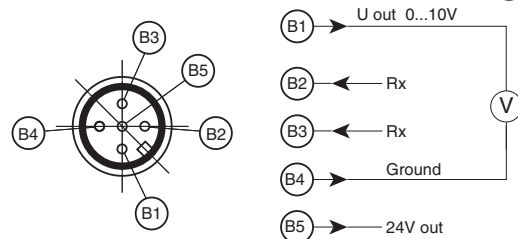
**Electrical Connection (B)**



**Electrical Connection (A)**



**Electrical Connection (B)**



For inventory, lead times, and kit lookup, visit [www.pdnplu.com](http://www.pdnplu.com)

K88

**Parker Hannifin Corporation**  
 Pneumatic Division  
 Richland, Michigan  
[www.parker.com/pneumatics](http://www.parker.com/pneumatics)

# Lucifer® EPP4 Accessories

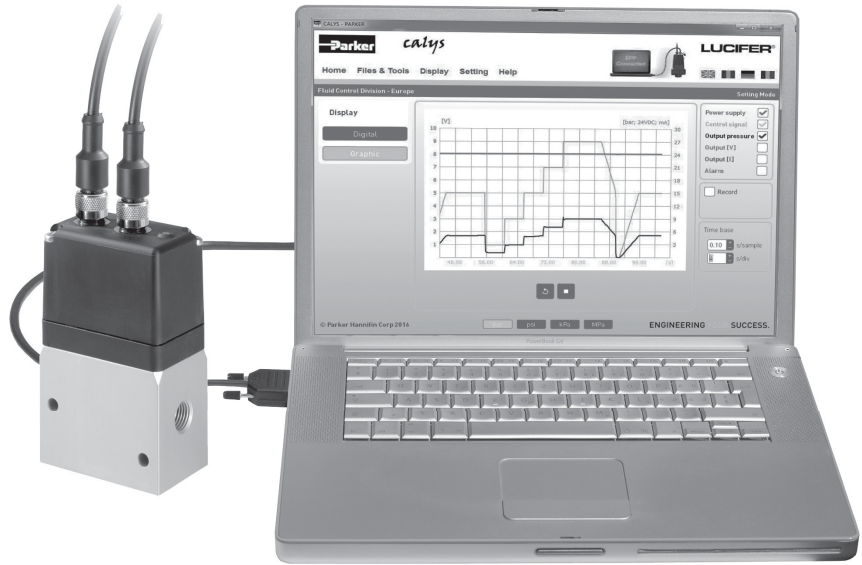
## calys Software

Calys is developed to configure all the parameters of the EPP4. A specific cable is needed for the communication between the EPP4 and a PC.

To download free Calys software click on  
[www.parker.com/fcde/support](http://www.parker.com/fcde/support)

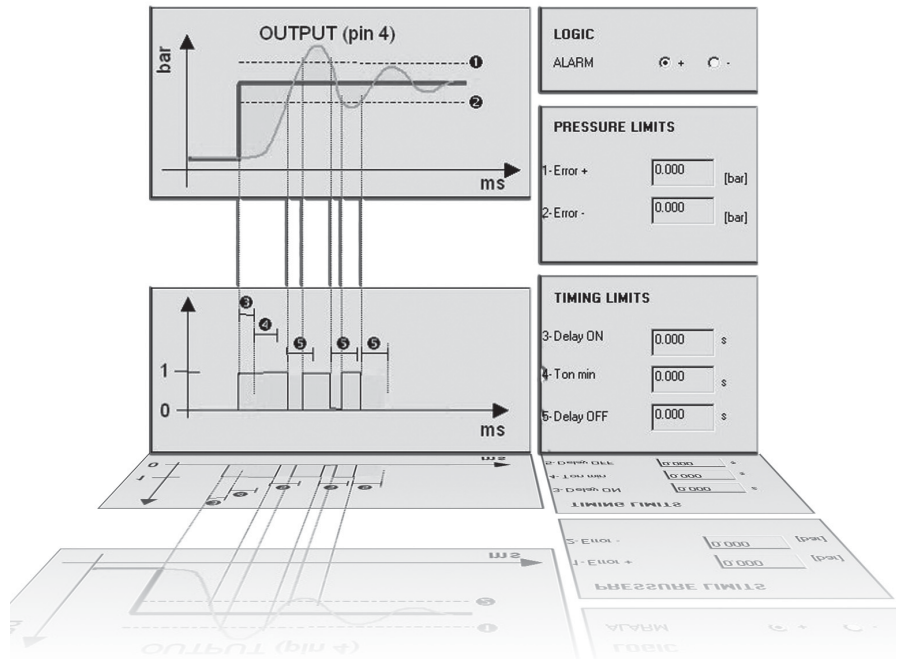
Calys offers many capabilities:

- Live monitoring (control signal, regulated pressure, supply voltage,...)
- Recording of the main parameters (control signal, regulated pressure, supply voltage,...) in an Excel file
- Free calibration for the inputs and outputs
- Adjustable alarm (positive-negative, pressure limits, delays)
- Configuration files are easy to duplicate
- Complete and interactive help file
- Data in 4 different pressure units
- Menus in 4 languages (English, German, French and Italian)



**Specific communication cable with M12, 5-pole to USB connection**

**Part Number 496449**



General  
 Dial  
 Pilot  
 Proportional  
 Precision  
 Water  
**K**  
 Regulator Products



For inventory, lead time, and kit lookup, visit [www.pdnplu.com](http://www.pdnplu.com)

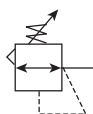
K89

## P3RA302 High Precision Regulators

The P3RA302 Regulator is designed for applications that require high capacity and accurate process control in a small package. A poppet valve which is balanced by utilizing a convoluted diaphragm, insures a constant output pressure even during wide supply pressure variations. Stability of regulated pressure is maintained under varying flow conditions through the use of an aspirator tube which adjusts the air supply in accordance with the flow velocity.



- Control sensitivity of .250" (.010 psig) (.64 cm) water column variation allows use in precision applications
- A compensating diaphragm lets the regulator remain unaffected by supply pressure changes
- An aspirator tube compensates downstream pressure droop under flow conditions
- A separate control chamber isolates the diaphragm from the main flow to eliminate hunting and buzzing
- Unit construction lets you service the regulator without removing it from the line
- 1/4" port (NPT)



Port size	Description	Part number
1/4"	0.5 to 30 psig	<b>P3RA30232</b>
1/4"	1 to 60 psig	<b>P3RA30242</b>
1/4"	2 to 100 psig	<b>P3RA30252</b>

### Operating information

Supply pressure:	250 psig (17.2 bar), (1700 kPa) max
Ambient temperature:	-40°F to 200°F (-40°C to 93°C)
Sensitivity:	.250" (.010 psig) (.64 cm) water column
Flow capacity:	40 scfm (68 m <sup>3</sup> /HR) @ 100 psig (7.0 bar), (700 kPa) supply and 20 psig (1.5 bar), (150 kPa) setpoint
Exhaust capacity:	2.0 scfm (3.4 m <sup>3</sup> /HR) where downstream pressure is 5 psig (.35 bar), (35 kPa) above 20 psig (1.5 bar), (150 kPa) setpoint
Supply pressure effect:	Less than 0.2 psig, (.014 bar), (.14 kPa) for 100 psig, (7.0 bar), (700 kPa) change in supply pressure
Hazardous locations:	Acceptable for use in zones 1 and 2 for gas atmosphere: Groups IIA and IIB and zones 21 and 22 for dust atmospheres

### Ordering information:

**P3RA302** **4** **2** **□**

Springs	
0.5 to 30 psig	3
1 to 60 psig	4
2 to 100 psig	5

Pipe Size	
1/4 inch	2

Options	
Blank	No options
H	BSP
N	Non-relieving

Note: Other Spring Ranges, Port Sizes, and Options Available. Please Consult Factory

Most popular.



For inventory, lead times, and kit lookup, visit [www.pdnplu.com](http://www.pdnplu.com)

K90

**Parker Hannifin Corporation**  
Pneumatic Division  
Richland, Michigan  
[www.parker.com/pneumatics](http://www.parker.com/pneumatics)

# Compact High Precision Regulator

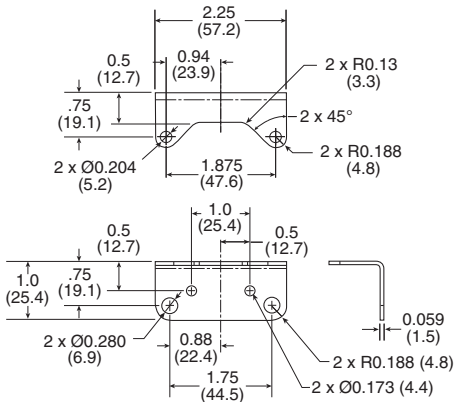
## Material Specifications

Body and housing	Aluminum
Diaphragms	Nitrile on dacron
Trim	Brass

## Repair and Service Kits

Nitrile, standard - 1/2 to 30, 1 to 60, & 2 to 100 psig	<b>PS16116-13</b>
Nitrile, non-relieving - 1/2 to 30, 1 to 60, & 2 to 100 psig	<b>PS16116-14</b>
Tamper Resistant Kit	<b>PS12163</b>
Mounting Bracket Kit	<b>PS21667-1</b>

## Mounting bracket

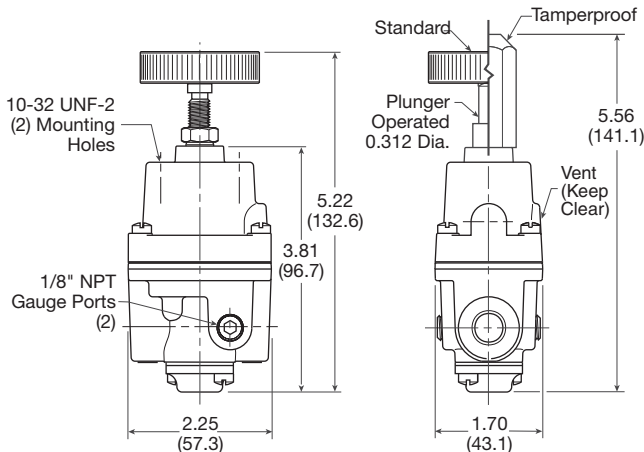


### WARNING

Product rupture can cause serious injury.  
Do not connect regulator to bottled gas.  
Do not exceed Maximum primary pressure rating.

## CAUTION:

**REGULATOR PRESSURE ADJUSTMENT** – The working range of knob adjustment is designed to permit outlet pressures within their full range. Pressure adjustment beyond this range is also possible because the knob is not a limiting device. This is a common characteristic of most industrial regulators, and limiting devices may be obtained only by special design. For best performance, regulated pressure should always be set by increasing the pressure up to the desired setting.

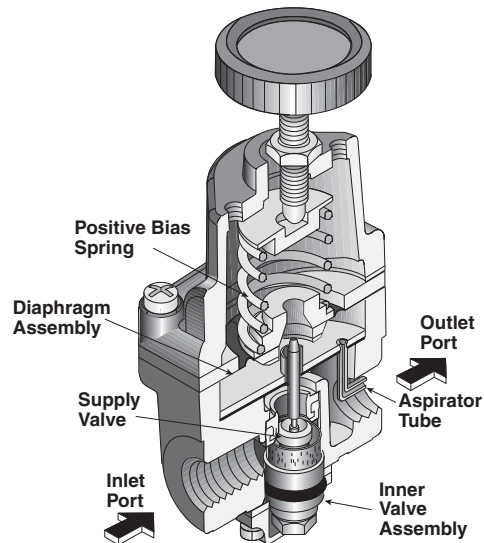
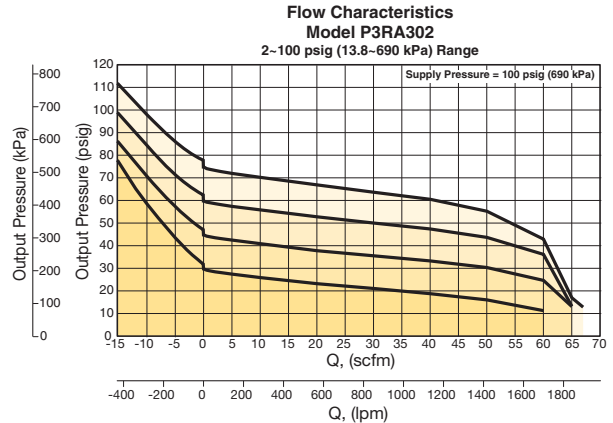


Inches (mm)

# Air Preparation Products Regulator Products

## Flow Charts

### P3RA302 1/4" Regulator



## Operating Principles

The P3RA302 Regulator uses the force balance principal to control the movement of the valve assembly which in turn controls the output pressure. When the regulator is adjusted for a specific set point, the downward force of the Positive Bias Spring causes the Diaphragm Assembly to move downward. The Supply Valve opens and allows air to pass to the Outlet Port. As the set point is reached, the downward force exerted by the Positive Bias spring is balanced by the upward force of the downstream pressure acting on the bottom of the Diaphragm Assembly. The resultant force moves the supply Valve upward to reduce the flow of air to the Outlet Port.

Outlet pressure is maintained as a result of balance between forces acting on the top and bottom of the Diaphragm Assembly.



For inventory, lead time, and kit lookup, visit [www.pdnplu.com](http://www.pdnplu.com)

K91

General

Dial

Pilot

Proportional

Precision

Water

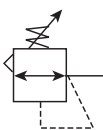
**K**

Regulator Products

## P3RA102 High Precision Regulators

The P3RA102 Regulator is designed for applications that require high capacity and accurate process control. A poppet valve which is balanced by utilizing a rolling diaphragm, insures a constant output pressure even during wide supply pressure variations. Stability of regulated pressure is maintained under varying flow conditions through the use of an aspirator tube which adjusts the air supply in accordance with the flow velocity.

- Control sensitivity of .125" (.005 psig) (.32 cm) water column allows use in precision processes
- Pressure balanced supply valve prevents supply pressure changes from affecting the setpoint
- Optional check valve permits dumping of downstream pressure when supply is opened to atmosphere
- Separate control chamber isolates the diaphragm from the main flow to eliminate hunting and buzzing
- An aspirator tube compensates downstream pressure droop under flow conditions



### Operating information

Supply pressure:	500 psig (35 bar), (3500 kPa) max
Ambient temperature:	-40°F to 200°F (-40°C to 93°C)
Sensitivity:	.125" (.005 psig) (.32 cm) water column
Flow capacity:	40 scfm (68 m <sup>3</sup> /HR) @ 100 psig (7.0 bar), (700 kPa) supply and 20 psig (1.5 bar), (150 kPa) setpoint
Exhaust capacity:	5.5 scfm (9.35 m <sup>3</sup> /HR) where downstream pressure is 5 psig, (.35 bar), (35 kPa) above 20 psig (1.5 bar), (150 kPa) setpoint
Supply pressure effect:	Less than 0.1 psig (.007 bar), (.7 kPa) for 100 psig, (7.0 bar), (700 kPa) change in supply pressure
Hazardous locations:	Acceptable for use in zones 1 and 2 for gas atmosphere: Groups IIA and IIB and zones 21 and 22 for dust atmospheres

Port size	Description	Part number
1/4"	0.5 to 30 psig	<b>P3RA10232</b>
1/4"	1 to 60 psig	<b>P3RA10242</b>
1/4"	2 to 100 psig	<b>P3RA10262</b>

### Ordering information:

P3RA102

6

2

Springs	
0.5 to 30 psig	3
1 to 60 psig	4
2 to 150 psig	6

Pipe Size	
1/4 inch	2

Options	
Blank	No options
H	BSPP
N	Non-relieving

Note: Other spring ranges, port sizes, and options available. Please consult factory

  Most popular.



For inventory, lead times, and kit lookup, visit [www.pdnplu.com](http://www.pdnplu.com)

K92

**Parker Hannifin Corporation**  
Pneumatic Division  
Richland, Michigan  
[www.parker.com/pneumatics](http://www.parker.com/pneumatics)



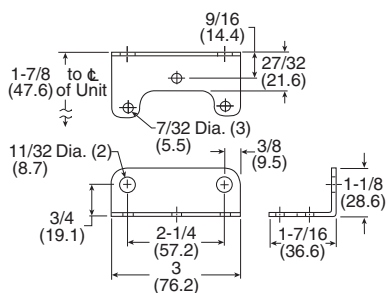
**Material Specifications**

Body and housing	Aluminum
Diaphragms	Buna N on dacron (standard unit only)
Trim	zinc plated steel, brass

**Repair and Service Kits**

0 to 200 psig, relieving	<b>PS12125-1</b>
0 to 200 psig, non-relieving	<b>PS12125-4</b>
Tamper resistant kit	<b>PS12165</b>
Mounting bracket kit, zinc plated steel	<b>PS09921</b>

**Mounting bracket**

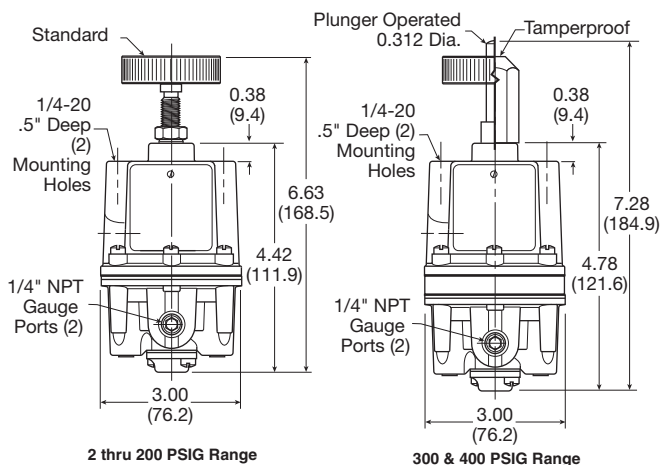


**⚠ WARNING**

**Product rupture can cause serious injury. Do not connect regulator to bottled gas. Do not exceed Maximum primary pressure rating.**

**CAUTION:**

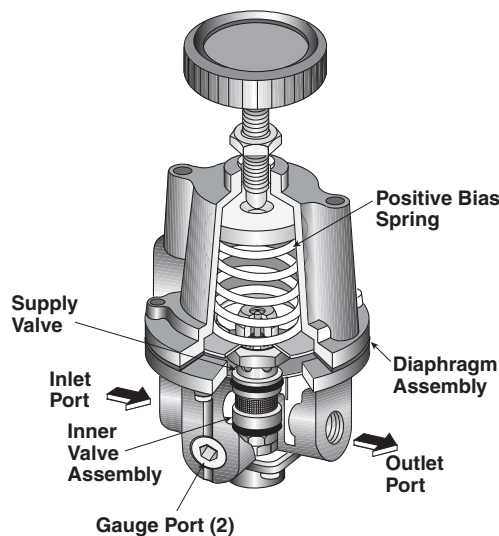
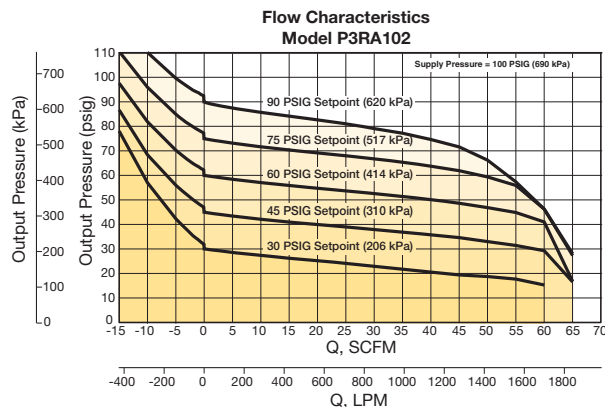
**REGULATOR PRESSURE ADJUSTMENT** – The working range of knob adjustment is designed to permit outlet pressures within their full range. Pressure adjustment beyond this range is also possible because the knob is not a limiting device. This is a common characteristic of most industrial regulators, and limiting devices may be obtained only by special design. For best performance, regulated pressure should always be set by increasing the pressure up to the desired setting.



Inches (mm)

**Flow Charts**

**P3RA102 1/4" Regulator**



**Operating Principles**

The P3RA102 Series regulator use the force balance principal to control the movement of the Valve Assembly that controls the output pressure. When the regulator is adjusted for a specific set point, the downward force of the Positive Bias Spring moves the Diaphragm Assembly downward. The Supply Valve opens and allows air to pass to the Outlet Port. As the set point is reached, the downward force exerted by the Positive Bias Spring is balanced by the force of the downstream pressure that acts on the Diaphragm Assembly. The resultant force moves the Supply Valve upward to reduce the flow of air to the Outlet Port.

Outlet pressure is maintained as a result of balance between forces acting on the top and bottom of the Diaphragm Assembly.



For inventory, lead time, and kit lookup, visit [www.pdnplu.com](http://www.pdnplu.com)

K93

**General**  
**Dial**  
**Pilot**  
**Proportional**  
**Precision**  
**Water**  
**K**  
**Regulator Products**

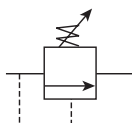
High Precision Relief Valve

**P3RA102BP High Precision Relief Valves**

The P3RA102BP is a high capacity relief valve that relieves excess pressure in a pneumatic system.

The P3RA102BP provides greater accuracy than standard relief valves over a narrow pressure range. The P3RA102BP is an excellent choice for a wide range of precision applications.

- Control sensitivity of .125" (.005 psig) (.32 cm) water column allows use in precision applications
- A separate control chamber and Aspirator Tube isolate the diaphragm from the main flow to eliminate hunting and buzzing
- Unit construction lets you service without removing it from the line
- Mounting bracket is available



**Operating information**

Setpoint range	2 to 200 psig (0.15 to 14 bar) (15 to 1400 kPa)	System pressure (maximum)	300 psig (20.7 bar), (2100 kPa) max
	300 to 400 psig (21 to 28 bar) (2100 to 2800 kPa)		500 psig (35 bar), (3500 kPa) max
Ambient temperature:	-40°F to 200°F (-40°C to 93°C)		
Sensitivity:	.125" (.005 psig) (.32 cm) water column		
Flow capacity:	40 scfm (68 m3/HR) @ 100 psig, (7.0 bar), (700 kPa) system pressure		

Port size	Description	Part number
1/4"	0.5 to 30 psig	<b>P3RA10232BP</b>
1/4"	1 to 60 psig	<b>P3RA10242BP</b>
1/4"	2 to 100 psig	<b>P3RA10262BP</b>

**Ordering information:**

P3RA102

6

2

Springs	
0.5 to 30 psig	3
1 to 60 psig	4
2 to 150 psig	6

Options	
Blank	No options
H	BSPP

Pipe Size	
1/4 inch	2

Options	
BP	Back pressure

Note: Other spring ranges, port sizes, and options available. Please consult factory

Most popular.



For inventory, lead times, and kit lookup, visit [www.pdnplu.com](http://www.pdnplu.com)

K94

**Parker Hannifin Corporation**  
Pneumatic Division  
Richland, Michigan  
[www.parker.com/pneumatics](http://www.parker.com/pneumatics)

# High Precision Relief Valve

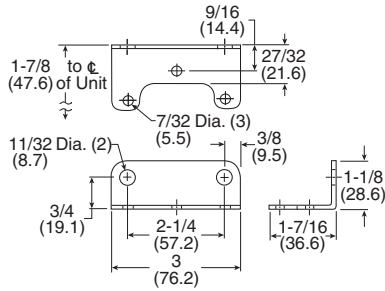
## Material Specifications

Body and housing	Aluminum
Trim	Zinc plated steel, brass
Nozzle	Nitrile on dacron

## Repair and Service Kits

0 to 200 psig, standard	<b>PS12127-1</b>
Tamper resistant kit	<b>PS12165</b>
Mounting bracket kit, zinc plated steel	<b>PS09921</b>

## Mounting bracket

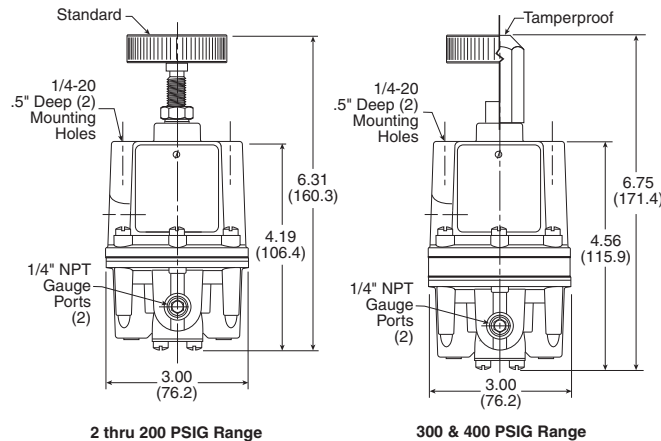


### WARNING

Product rupture can cause serious injury. Do not connect regulator to bottled gas. Do not exceed Maximum primary pressure rating.

## CAUTION:

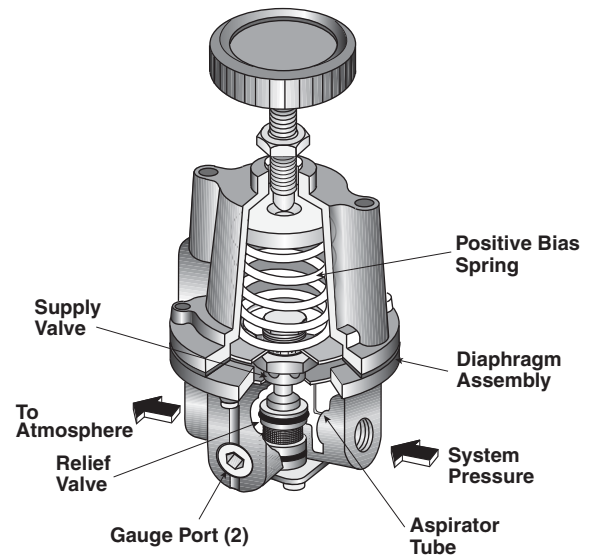
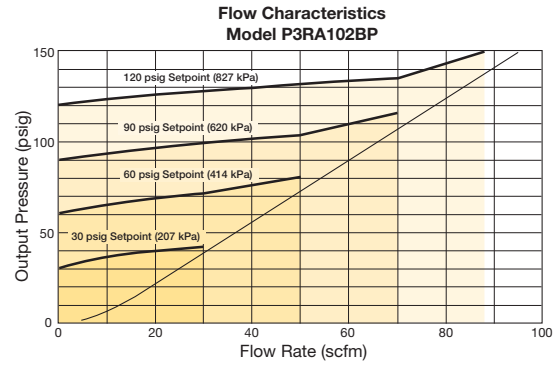
**REGULATOR PRESSURE ADJUSTMENT** – The working range of knob adjustment is designed to permit outlet pressures within their full range. Pressure adjustment beyond this range is also possible because the knob is not a limiting device. This is a common characteristic of most industrial regulators, and limiting devices may be obtained only by special design. For best performance, regulated pressure should always be set by increasing the pressure up to the desired setting.



# Air Preparation Products Regulator Products

## Flow Charts

### P3RA102BP 1/4" Regulator



## Operating Principles

The P3RA102BP Regulator uses the force balance principle to open the Relief Valve and vent system pressure when the set point is exceeded.

Downstream pressure is transmitted through the Aspirator Tube to the bottom of the Diaphragm Assembly. When you adjust the range screw for a specific set point, the Positive Bias Spring compresses and exerts a force on the top of the Diaphragm Assembly. As long as the pressure acting on the bottom of the Diaphragm Assembly produces a force less than the spring force acting on the top of the Diaphragm Assembly, the Relief Valve remains closed. When system pressure increases, the force on the bottom of the Diaphragm Assembly increases until it reaches the set point. When system pressure increases beyond the set point, the assembly moves upward, lifting the Relief Valve from its seat and vents the downstream air.

If downstream pressure decreases below the set point, the assembly moves downward closing the Relief Valve.



For inventory, lead time, and kit lookup, visit [www.pdnplu.com](http://www.pdnplu.com)

K95

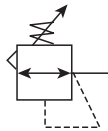
**Parker Hannifin Corporation**  
Pneumatic Division  
Richland, Michigan  
[www.parker.com/pneumatics](http://www.parker.com/pneumatics)

## P3RA171 High Precision Vacuum Regulator

The P3RA171 is a high accuracy vacuum regulator that provides uniform vacuum regulation independent of vacuum supply changes and flow demand.

This unit has a diaphragm assembly with three springs to provide a more balanced loading of the diaphragm.

- Control sensitivity of .125" (.005 PSIG) (.32 cm) water column allows use in precision applications
- Balanced supply valve minimizes effects of vacuum variation
- Aspirator tube compensates for downstream pressure droop under flow conditions
- Separate control chamber isolates the diaphragm from the main flow to eliminate hunting and buzzing
- Construction allows servicing without removing from the line

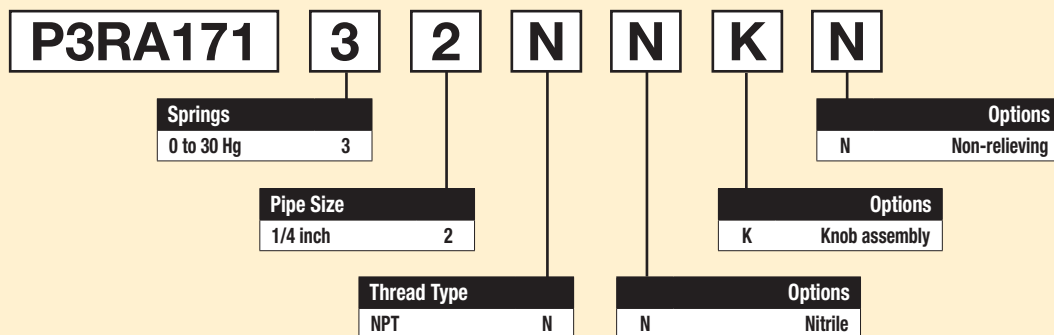


### Operating information

Vacuum supply:	29.92 Hg (760 torr) max
Ambient temperature:	-40°F to 200°F (-40°C to 93°C)
Sensitivity:	.125" (.005 psig) (.32 cm) water column
Flow capacity:	3 scfm @ 650 torr supply, 250 torr setpoint
Vacuum supply effect:	Less than 1 torr for 100 torr (.04 Hg for 3.94 Hg) change in vacuum supply

Port size	Description	Part number
1/4"	0 to 30 Hg	<b>P3RA17132NNKN</b>

### Ordering information:



Note: Other spring ranges, port sizes, and options available. Please consult factory

Most popular.



For inventory, lead times, and kit lookup, visit [www.pdnplu.com](http://www.pdnplu.com)

K96

**Parker Hannifin Corporation**  
Pneumatic Division  
Richland, Michigan  
[www.parker.com/pneumatics](http://www.parker.com/pneumatics)

# High Precision Vacuum Regulator

## Material Specifications

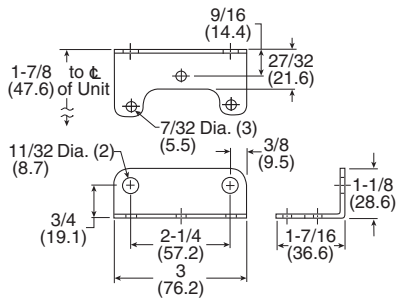
Body and housing	Aluminum
Trim	Zinc plated steel, brass
Elastomers	Nitrile

## Repair and Service Kits

Service kits – (includes diaphragm assy, valve assy, seat assy & gasket)  
0-30" Hg, nitrile, non-relieving

	<b>PS20966-9</b>
Tamper resistant kit	<b>PS20967-1</b>
Mounting bracket	<b>PS09921</b>

## Mounting bracket

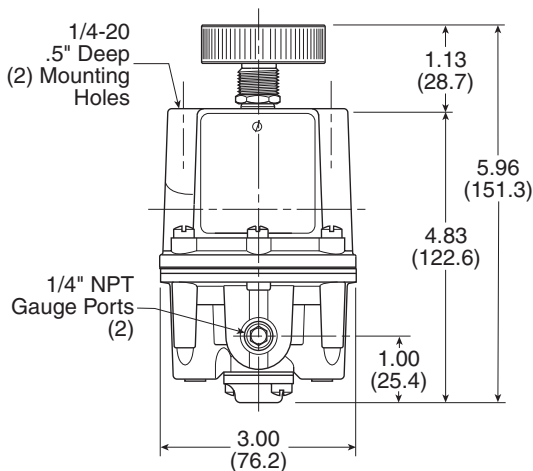


**⚠ WARNING**

**Product rupture can cause serious injury.  
Do not connect regulator to bottled gas.  
Do not exceed Maximum primary pressure rating.**

## CAUTION:

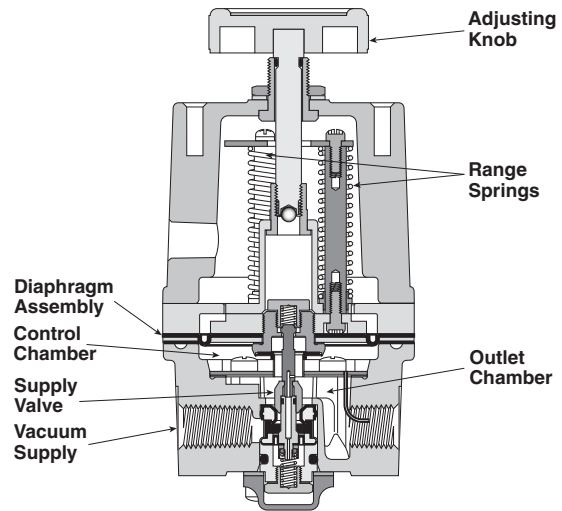
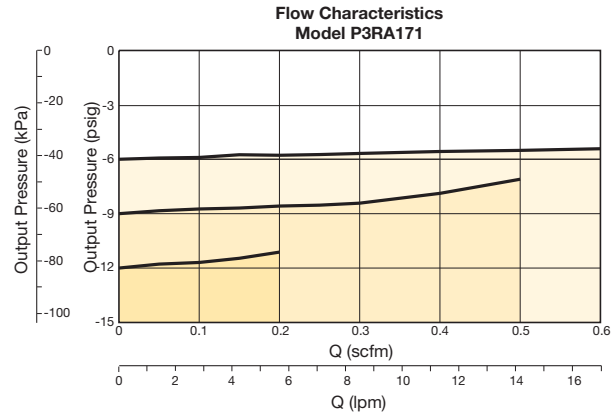
**REGULATOR PRESSURE ADJUSTMENT** – The working range of knob adjustment is designed to permit outlet pressures within their full range. Pressure adjustment beyond this range is also possible because the knob is not a limiting device. This is a common characteristic of most industrial regulators, and limiting devices may be obtained only by special design. For best performance, regulated pressure should always be set by increasing the pressure up to the desired setting.



# Air Preparation Products Regulator Products

## Flow Charts

### P3RA171 1/4" Regulator



## Operating Principles

The Model P3RA171 Series vacuum regulator uses the force balance principle to control the movement of the Valve Assembly that controls output vacuum.

When the regulator is adjusted for a specific set point, the upward force of the Range Springs moves the Diaphragm Assembly upward. The Supply Valve opens and allows air to pass to the inlet port. As the set point is reached, the upward force exerted by the Range Springs is balanced by the force of the vacuum that pulls downward on the Diaphragm Assembly. The resultant force moves the Supply Valve downward to reduce the flow of air to the inlet port. Outlet vacuum is maintained as a result of balance between forces acting on the top and bottom of the Diaphragm Assembly.



For inventory, lead time, and kit lookup, visit [www.pdnplu.com](http://www.pdnplu.com)

K97

General

Dial

Pilot

Proportional

Precision

Water

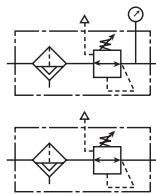
**K**

Regulator  
Products

**High Precision Filter / Regulator**

**P3EA632 Precision Filter / Regulators**

- The no-brass construction is well suited to harsh environments
- Internal and external epoxy finish for superior corrosion resistance
- Non-bleed design to reduce consumption
- Integral relief valve
- A gauge port provides convenient pressure gauge mounting
- The standard 5-micron filter minimizes internal contamination
- The filter dripwell contains a drain plug to easily drain trapped liquids
- Standard tapped exhaust
- Soft relief seat minimizes air loss



**Operating information**

Supply pressure:	250 psig (17.2 bar), (1700 kPa) max
Temperature range:	-40°F to 160°F (-40°C to 71°C)
Sensitivity:	1.0" (.036 psig) (2.54 cm) water column
Flow capacity:	25 scfm (42.5 m <sup>3</sup> /HR) @ 100 psig (7 bar), (700 kPa) supply and 20 psig (1.5 bar), (150 kPa) setpoint
Exhaust capacity:	0.8 scfm (1.36 m <sup>3</sup> /HR) where downstream pressure is 5 psig, (.35 bar) (35 kPa) above 20 psig (1.5 bar), (150 kPa) setpoint (0.8 SCFM for 120 # unit)
Consumption:	Undetectable
Supply pressure effect:	Less than 1.25 psig (.09 bar), (9 kPa) change for 100 psig (7.0 bar), (700 kPa) change in supply pressure (1.90 psig for 120 # unit)

Port size	Description	Part number
1/4"	1 to 60 psig	<b>P3EA63242NS</b>
1/4"	2 to 120 psig	<b>P3EA63252NS</b>

**Ordering information:**

**P3EA632** **5** **2** **N** **S** **Blank**

Springs	
0 to 60 psig	4
2 to 120 psig	5

Options	
Blank	None

Pipe Size	
1/4 inch	2

Thread Type	
NPT	N
BSPP	U

Adjustment	
S	Screw (std)
K	Knob
T	Tamperproof

Note: Other spring ranges, port sizes, and options available. Please consult factory

Most popular.



For inventory, lead times, and kit lookup, visit [www.pdnplu.com](http://www.pdnplu.com)

K98

**Parker Hannifin Corporation**  
Pneumatic Division  
Richland, Michigan  
[www.parker.com/pneumatics](http://www.parker.com/pneumatics)

# High Precision Filter / Regulator

## Material Specifications

Body and housing	Epoxy coated Aluminum
Trim	Stainless steel, nickel plated steel
Elastomers	Nitrile

## Repair and Service Kits

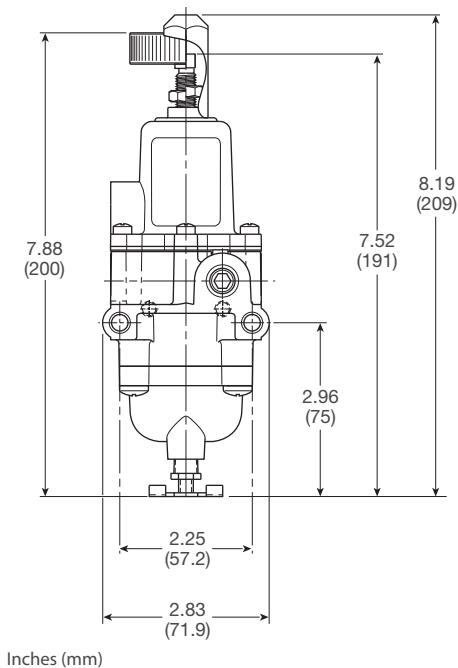
1 to 60, 2 to 120 psig	<b>PS19968-NR</b>
Tamper resistant kit	<b>PS12165</b>

**WARNING**

**Product rupture can cause serious injury.  
Do not connect regulator to bottled gas.  
Do not exceed Maximum primary pressure rating.**

### CAUTION:

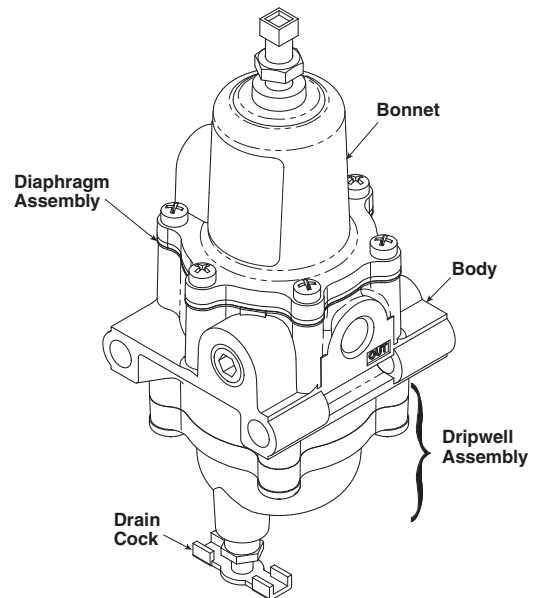
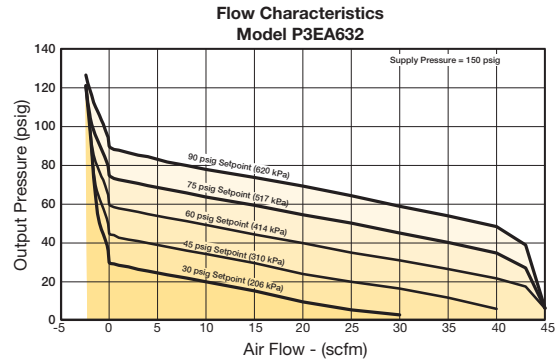
**REGULATOR PRESSURE ADJUSTMENT** – The working range of knob adjustment is designed to permit outlet pressures within their full range. Pressure adjustment beyond this range is also possible because the knob is not a limiting device. This is a common characteristic of most industrial regulators, and limiting devices may be obtained only by special design. For best performance, regulated pressure should always be set by increasing the pressure up to the desired setting.



# Air Preparation Products Regulator Products

## Flow Charts

### P3EA632 1/4" Filter / Regulator



### Operating Principles

When you turn the Adjustment Screw to a specific setpoint, the Spring exerts a downward force against the top of the Diaphragm Assembly. This downward force opens the Supply Valve. Output pressure flows through the Outlet Port and the passage to the Control Chamber where it creates an upward force on the bottom of the Diaphragm Assembly.

When the setpoint is reached, the force of the Spring that acts on the top of the Diaphragm Assembly balances with the force of output pressure that acts on the bottom of the Diaphragm Assembly and closes the Supply Valve.

When the output pressure increases above the setpoint, the Diaphragm Assembly moves upward to close the Supply Valve and open the Exhaust Valve. Output pressure flows through the Exhaust Valve and out of the Exhaust Vent on the side of the unit until it reaches the setpoint.

General

Dial

Pilot

Proportional

Precision

Water

**K**

Regulator Products



For inventory, lead time, and kit lookup, visit [www.pdnplu.com](http://www.pdnplu.com)

K99

**Parker Hannifin Corporation**  
Pneumatic Division  
Richland, Michigan  
[www.parker.com/pneumatics](http://www.parker.com/pneumatics)

**Precision Pneumatic Input Signal Amplifier**

**P3BA208 Precision Pneumatic Input Signal Amplifier**

- The P3BA208 uses a pneumatic input signal to accurately control output pressure based on a predetermined ratio
- A balanced supply valve minimizes the effects of supply pressure variation
- An aspirator tube compensates downstream pressure droop under flowing conditions
- A separate control chamber isolates the diaphragm from the main flow to eliminate hunting and buzzing
- Unit construction allows servicing without removal
- Mounting bracket available

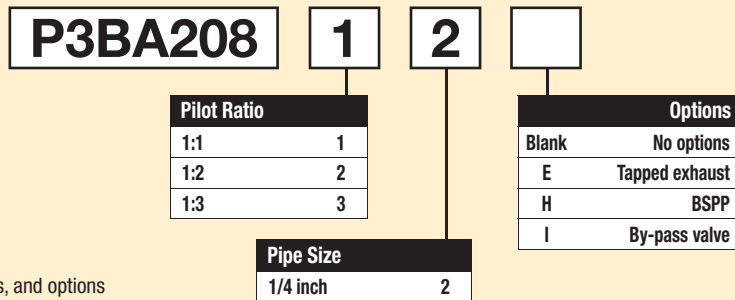


Port size	Description	Part number
1/4"	1:1 pilot ratio	<b>P3BA20812</b>
1/4"	1:2 pilot ratio	<b>P3BA20822</b>
1/4"	1:3 pilot ratio	<b>P3BA20823</b>

**Operating information**

	Signal : Output	1:1	1:2	1:3
Output pressure, maximum:		150 psig (10 bar)	150 psig (10 bar)	150 psig (10 bar)
Supply pressure, maximum:		250 psig (17 bar)	250 psig (17 bar)	250 psig (17 bar)
Flow capacity – 100 psig (7 bar), supply 20 psig, (1.5 bar) output		45 scfm (76.5 m <sup>3</sup> /HR)	45 scfm (76.5 m <sup>3</sup> /HR)	45 scfm (76.5 m <sup>3</sup> /HR)
Exhaust capacity – Downstream pressure 5 psig (0.35 bar) above 20 psig (1.5 bar) setpoint		11 scfm (18.7 m <sup>3</sup> /HR)	11 scfm (18.7 m <sup>3</sup> /HR)	11 scfm (18.7 m <sup>3</sup> /HR)
Sensitivity, water column:		0.250" (0.64 cm)	0.500" (1.27 cm)	0.750" (1.9 cm)
Ratio accuracy – % of 100 psig (7 bar) output span % of output span with 100 psig (7 bar) input span		1.0 —	1.0 —	1.0 —
Supply pressure effect – for change of 100 psig (7 bar)		0.10 psig (.007 bar)	0.20 psig (.014 bar)	0.30 psig (.021 bar)
Ambient temperature:		-40°F to 200°F (-40°C to 93°C)	-40°F to 200°F (-40°C to 93°C)	-40°F to 200°F (-40°C to 93°C)

**Ordering information:**



Note: Other spring ranges, port sizes, and options available. Please consult factory

Most popular.



For inventory, lead times, and kit lookup, visit [www.pdnplu.com](http://www.pdnplu.com)

K100

**Parker Hannifin Corporation**  
Pneumatic Division  
Richland, Michigan  
[www.parker.com/pneumatics](http://www.parker.com/pneumatics)



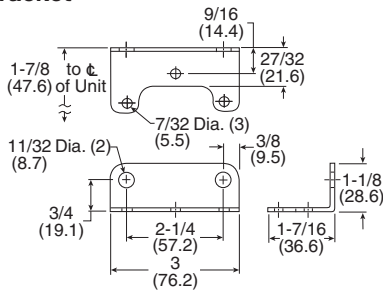
**Material Specifications**

Body and housing	Aluminum
Diaphragm	Nitrile on dacron fabric
Trim	Zinc plated steel, brass

**Repair and Service Kits**

Mounting bracket	<b>PS09921</b>
1:1 Ratio	<b>PS19513-11</b>
1:1 Ratio w/ by-pass valve	<b>PS19513-11I</b>
1:2 Ratio	<b>PS19513-12</b>
1:3 Ratio	<b>PS19513-13</b>

**Mounting bracket**



**WARNING**

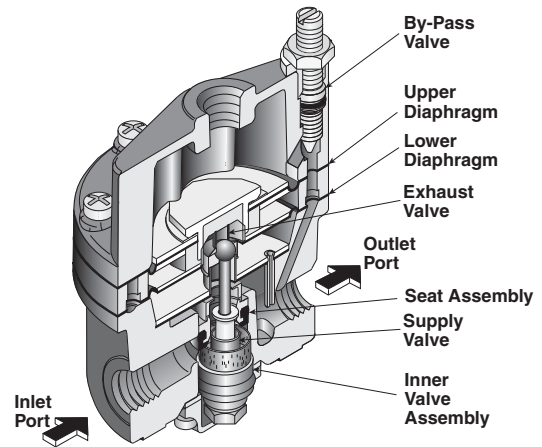
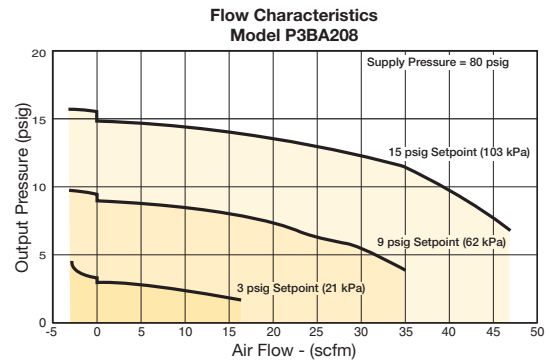
Product rupture can cause serious injury.  
Do not connect regulator to bottled gas.  
Do not exceed Maximum primary pressure rating.

**CAUTION:**

**REGULATOR PRESSURE ADJUSTMENT** – The working range of knob adjustment is designed to permit outlet pressures within their full range. Pressure adjustment beyond this range is also possible because the knob is not a limiting device. This is a common characteristic of most industrial regulators, and limiting devices may be obtained only by special design. For best performance, regulated pressure should always be set by increasing the pressure up to the desired setting.

**Flow Charts**

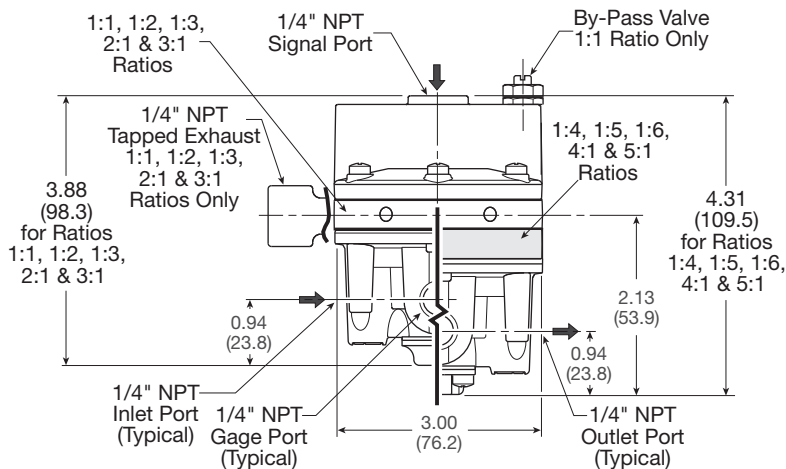
**P3RA102BP 1/4" Input Signal Amplifier**



**Operating Principles**

The P3BA208 Input Signal Amplifier is a pneumatic device capable of high flow and exhaust capacity. This device uses a force balance system to control the movement of the supply and exhaust valves.

At set point, the force due to signal pressure that acts on the top of the Upper Diaphragm balances with the force due to output pressure acting on the bottom of the Lower Diaphragm.



For inventory, lead time, and kit lookup, visit [www.pdnplu.com](http://www.pdnplu.com)

K101

General

Dial

Pilot

Proportional

Precision

Water

**K**

Regulator Products

## P3BA45 Precision Pneumatic Input Signal Amplifier

- Five signal to output ratios meet most control element requirements.
- Control sensitivity of water column allows use in precision applications.
- Large Supply and Exhaust Valves provide high forward and exhaust flows.
- Soft Supply and Exhaust Valve seats minimize air consumption.
- A balanced Supply Valve minimizes the effect of supply pressure variation.
- An Aspirator Tube compensates downstream pressure droop under flow conditions.
- A separate Control Chamber isolates the diaphragm from the main flow to eliminate hunting and buzzing.
- Unit construction lets you service the P3BA45 without removing it from the line.

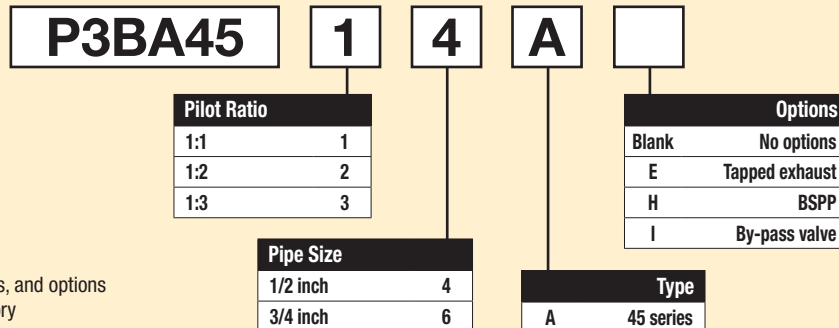


Port size	Description	Part number
1/2"	1:1 pilot ratio	<b>P3BA4514A</b>
3/4"	1:1 pilot ratio	<b>P3BA4516A</b>

### Operating information

	Signal : Output	1:1	1:2	1:3
Output pressure, maximum:		150 psig (10 bar)	150 psig (10 bar)	150 psig (10 bar)
Supply pressure, maximum:		250 psig (17 bar)	250 psig (17 bar)	250 psig (17 bar)
Flow capacity – 100 psig (7 bar), supply 20 psig (1.5 bar) output		150 scfm (255 m <sup>3</sup> /HR)	150 scfm (255 m <sup>3</sup> /HR)	150 scfm (255 m <sup>3</sup> /HR)
Exhaust capacity – Downstream pressure 5 psig (.35 bar) above 20 psig (1.5 bar) setpoint		40 scfm (62.5 m <sup>3</sup> /HR)	40 scfm (62.5 m <sup>3</sup> /HR)	40 scfm (62.5 m <sup>3</sup> /HR)
Sensitivity, water column:		1.0" (2.54 cm)	2.0" (5.08 cm)	3.0" (7.62 cm)
Ratio Accuracy – % of 100 psig (7 bar) output span % of output span with 100 psig (7 bar) input span		3.0 —	3.0 —	3.0 —
Supply pressure effect – for change of 100 psig (7 bar)		0.10 psig (0.007 bar)	0.20 psig (0.014 bar)	0.30 psig (0.021 bar)
Ambient temperature:		-40°F to 200°F (-40°C to 93°C)	-40°F to 200°F (-40°C to 93°C)	-40°F to 200°F (-40°C to 93°C)
Hazardous locations:		Acceptable for use in zones 1 and 2 for gas atmospheres; Groups IIA and IIB and zones 21 and 22 for dust atmospheres.		

### Ordering information:



Most popular.



For inventory, lead times, and kit lookup, visit [www.pdnplu.com](http://www.pdnplu.com)

K102

**Parker Hannifin Corporation**  
Pneumatic Division  
Richland, Michigan  
[www.parker.com/pneumatics](http://www.parker.com/pneumatics)

**Precision Pneumatic Input Signal Amplifier**

**Air Preparation Products  
Regulator Products**

**Material Specifications**

Body and housing	Aluminum
Diaphragm	Nitrile on dacron fabric
Trim	Zinc plated steel, brass

**Repair and Service Kits**

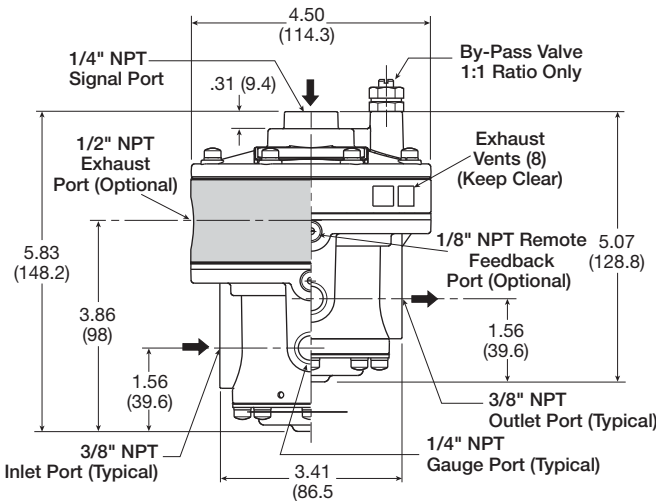
1:1 ratio	<b>PS19549-1</b>
1:1 ratio w/ tapped exhaust	<b>PS19549-1E</b>
1:3 ratio	<b>PS19549-3</b>
1:2 ratio	<b>PS19549-2</b>
1:1 w/ tapped exhaust, I option	<b>PS19549-20E</b>

**WARNING**

**Product rupture can cause serious injury. Do not connect regulator to bottled gas. Do not exceed Maximum primary pressure rating.**

**CAUTION:**

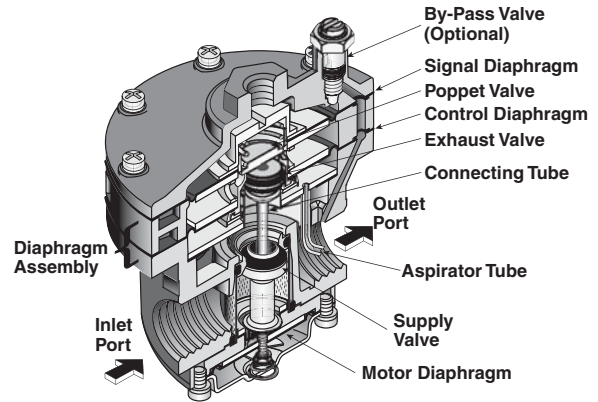
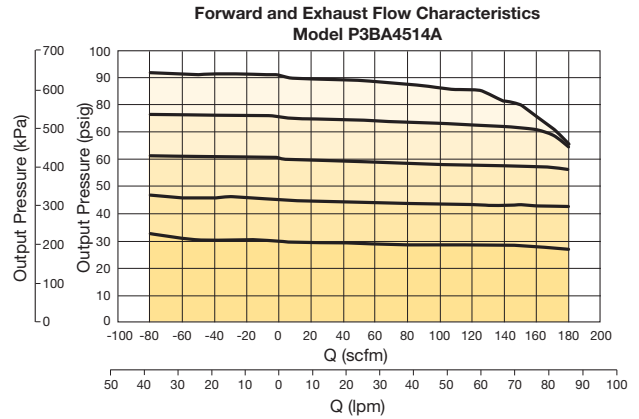
**REGULATOR PRESSURE ADJUSTMENT** – The working range of knob adjustment is designed to permit outlet pressures within their full range. Pressure adjustment beyond this range is also possible because the knob is not a limiting device. This is a common characteristic of most industrial regulators, and limiting devices may be obtained only by special design. For best performance, regulated pressure should always be set by increasing the pressure up to the desired setting.



Inches (mm)

**Flow Charts**

**P3BA45 1/2" & 3/4" Input Signal Amplifier**



**Operating Principles**

When signal pressure on the top of the Signal Diaphragm creates a downward force on the Diaphragm Assembly, the Supply Valve opens. Output pressure flows through the Outlet Port and the Aspirator Tube to the Control Chamber to create an upward force on the bottom of the Control Diaphragm. When the setpoint is reached, the force of the signal pressure that acts on the top of the Signal Diaphragm balances with the force of the output pressure that acts on the bottom of the Control Diaphragm to close the Supply Valve.

When the output pressure increases above the signal pressure, the Diaphragm Assembly moves upward to close the Supply Valve and open the Exhaust Valve. Because the Poppet Valve is closed, pressure flows down the Connecting Tube to the bottom of the Motor Diaphragm. This pressure keeps the Supply Valve tightly closed while in the exhaust mode. The Poppet Valve opens and excess output pressure exhausts through the vent in the side of the unit until it reaches the setpoint.



For inventory, lead time, and kit lookup, visit [www.pdnplu.com](http://www.pdnplu.com)

K103

General

Dial

Pilot

Proportional

Precision

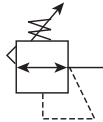
Water

**K**

Regulator Products

**20R Regulators – Miniature Water**

- Rugged brass body for water service
- Unbalanced poppet standard
- Diaphragm operated for fast response
- Non-rising adjusting knob
- Compact, 3.06 inch (77.79mm) high by 1.56 inch (36.69mm) wide.
- High Flow: 1.25 GPM
- 1/8", 1/4" ports (NPT, BSPP)



**Operating information**

Supply pressure (max):	0 to 300 psig (0 to 20.7 bar)
Secondary pressure ranges	
Standard	2 to 125 psig (0 to 8.6 bar)
Medium	1 to 60 psig (0 to 4.1 bar)
Medium	1 to 25 psig (0 to 1.7 bar)
Operating temperature:	32°F to 125°F (0°C to 52°C)
High flow:	1.25 GPM
Gauge ports (2):	1/8 inch
Weight:	0.5 lb (0.23 kg)

Port size	Description	Part number
1/8"	Without gauge	<b>20R013GC</b>
1/4"	Without gauge	<b>20R113GC</b>

NOTE: 1.25 Dia. (31.8 mm) hole required for panel mounting.

**Ordering information:**

<b>20R</b>	<b>1</b>	<b>13</b>	<b>G</b>	<b>C</b>	<b> </b>
<b>Port Size</b>					<b>Port Type</b>
1/8 inch	0				Blank NPT
1/4 inch	1				1 BSPP
		<b>Pressure Range</b>		<b>Engineering Level</b>	
		25 psig	11	C	Current
		125 psig	13		
		60 psig	61		
				<b>Relief</b>	
				F	Relieving
				G	Non-relieving

Most popular.



For inventory, lead times, and kit lookup, visit [www.pdnplu.com](http://www.pdnplu.com)

K104

**Parker Hannifin Corporation**  
Pneumatic Division  
Richland, Michigan  
[www.parker.com/pneumatics](http://www.parker.com/pneumatics)

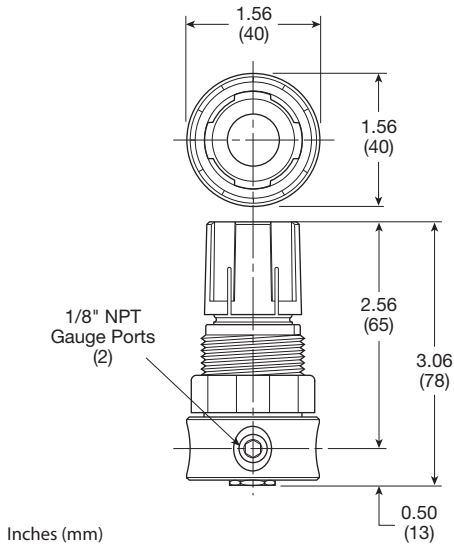
## Miniature Water Regulators

### Material Specifications

Adjusting nut & stem	Steel
Body, valve poppet, bottom plug, diaphragm button	Brass
Bonnet, knob	Plastic
Seals, diaphragm	Buna N
Springs	Steel

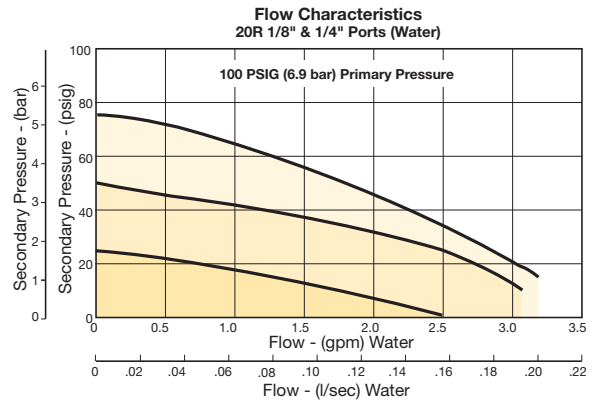
### Repair and Service Kits

Bonnet kit	<b>PCKR364Y</b>
Bonnet tamperproof kit	<b>PCKR364T</b>
Panel mount nut, aluminum	<b>R05X51-A</b>
Panel mount nut, plastic	<b>R05X51-P</b>
Mounting bracket kit	<b>SA161X57</b>
Relieving	<b>PRKR164Y</b>
Non-Relieving	<b>PRKR163Y</b>



## Air Preparation Products Regulator Products

### Flow Charts



### WARNING

**Product rupture can cause serious injury.  
Do not connect regulator to bottled gas.  
Do not exceed Maximum primary pressure rating.**

### CAUTION:

**REGULATOR PRESSURE ADJUSTMENT** – The working range of knob adjustment is designed to permit outlet pressures within their full range. Pressure adjustment beyond this range is also possible because the knob is not a limiting device. This is a common characteristic of most industrial regulators, and limiting devices may be obtained only by special design. For best performance, regulated pressure should always be set by increasing the pressure up to the desired setting.

General

Dial

Pilot

Proportional

Precision

Water

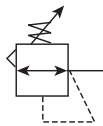
**K**

Regulator  
Products

**R24 Regulators – Miniature Water**

**Water service**

- Constructed with a combination of N.S.F. and F.D.A. compliant materials
- Lightweight plastic body
- Unbalanced poppet standard
- Non-rising, push-to-lock adjusting knob
- Compact, 3.10 Inch (79mm) high by 1.60 Inch (41mm) wide
- Lightweight
- Diaphragm operated
- 1/8", 1/4" ports (NPT)



Port size	Description	Part number
1/8"	Non-relieving, 0-125 reduced pressure, without gauge	<b>R24-01CK</b>
1/4"	Non-relieving, 0-125 reduced pressure, without gauge	<b>R24-02CK</b>

NOTE: 1.250 Dia. (31.8 mm) hole required for panel mounting.

**Operating information**

Supply pressure (max):	Inlet 150 psig (10.0 bar)
Operating temperature:	40°F to 125°F (4°C to 52°C)
Gauge ports (2):	1/8 inch (can be used for full flow)
Weight:	0.25 lb (0.11 kg)

**Ordering information:**

**R24 - 02 C K**

<b>Type</b> EPDM Elastomers R25	<b>Port Size</b> 1/8 inch 01 1/4 inch 02	<b>Relief</b> K Non-relieving P Panel Mount Nut
	<b>Pressure Range</b> A 0 to 25 psig (0 to 2 bar) B 0 to 60 psig (0 to 4 bar) C 0 to 125 psig (0 to 8 bar)	

Most popular.



For inventory, lead times, and kit lookup, visit [www.pdnplu.com](http://www.pdnplu.com)

K106

**Parker Hannifin Corporation**  
Pneumatic Division  
Richland, Michigan  
[www.parker.com/pneumatics](http://www.parker.com/pneumatics)

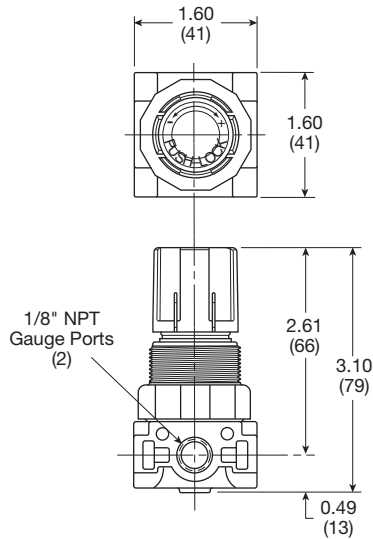
## Miniature Water Regulators

### Material Specifications

Adjusting screw	Steel
Body	Acetal
Bonnet and seat	Acetal
Diaphragm	EPDM
Seals	EPDM
Springs	Stainless steel
Valve poppet	EPDM

### Repair and Service Kits

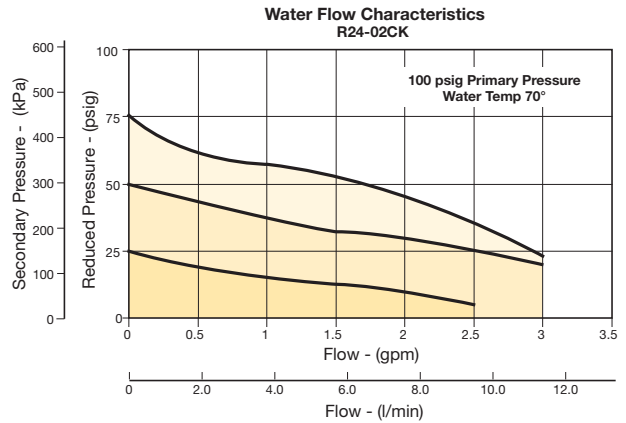
Panel mount nut, plastic	<b>R05X51-P</b>
Mounting bracket and nut	<b>SA161X57</b>
Relieving (EPDM)	<b>RKR24Y</b>
Non-Relieving (EPDM)	<b>RKR24KY</b>
0-25 psig spring	<b>SPR-375-1</b>
0-60 psig spring	<b>SPR-376</b>
0-125 psig spring	<b>SPR-377</b>
Tamperproof kit	<b>CKR364T</b>



Inches (mm)

## Air Preparation Products Regulator Products

### Flow Charts



**⚠ WARNING**

**Product rupture can cause serious injury.  
Do not connect regulator to bottled gas.  
Do not exceed Maximum primary pressure rating.**

### CAUTION:

**REGULATOR PRESSURE ADJUSTMENT** – The working range of knob adjustment is designed to permit outlet pressures within their full range. Pressure adjustment beyond this range is also possible because the knob is not a limiting device. This is a common characteristic of most industrial regulators, and limiting devices may be obtained only by special design. For best performance, regulated pressure should always be set by increasing the pressure up to the desired setting.



For inventory, lead time, and kit lookup, visit [www.pdnplu.com](http://www.pdnplu.com)

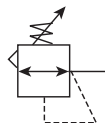
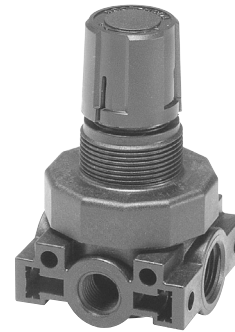
K107

**Parker Hannifin Corporation**  
Pneumatic Division  
Richland, Michigan  
[www.parker.com/pneumatics](http://www.parker.com/pneumatics)

**R46 Regulators – Miniature Water**

**Water service**

- Constructed with a combination of N.S.F. and F.D.A. compliant materials
- Lightweight plastic body
- Unbalanced poppet standard
- Non-rising, push-to-lock adjusting knob
- Compact, 3.43 inch (87.1mm) high by 2.06 inch (52.3mm) wide
- Lightweight
- Diaphragm operated
- 1/4", 3/8" ports (NPT)



**Operating information**

Supply pressure (max):	Inlet 150 psig (10.0 bar)
Operating temperature:	40°F to 125°F (4°C to 52°C)
Gauge ports (2):	1/4 inch (can be used for full flow)
Weight:	0.38 lb (0.17 kg)

Port size	Description	Part number
1/4"	Non-relieving, 0-125 reduced pressure, without gauge	<b>R46-02CK</b>
3/8"	Non-relieving, 0-125 reduced pressure, without gauge	<b>R46-03CK</b>

NOTE: 1.250 Dia. (31.8 mm) hole required for panel mounting.

**Ordering information:**

**R46 - 02 C**

<b>Type</b> EPDM Elastomers R46	<b>Port Size</b> 1/4 inch 02 3/8 inch 03	<b>Relief</b> K Non-relieving P Panel Mount Nut
	<b>Pressure Range</b> A 0 to 25 psig (0 to 2 bar) B 0 to 60 psig (0 to 4 bar) C 0 to 125 psig (0 to 8 bar)	

Most popular.



For inventory, lead times, and kit lookup, visit [www.pdnplu.com](http://www.pdnplu.com)

K108

**Parker Hannifin Corporation**  
Pneumatic Division  
Richland, Michigan  
[www.parker.com/pneumatics](http://www.parker.com/pneumatics)



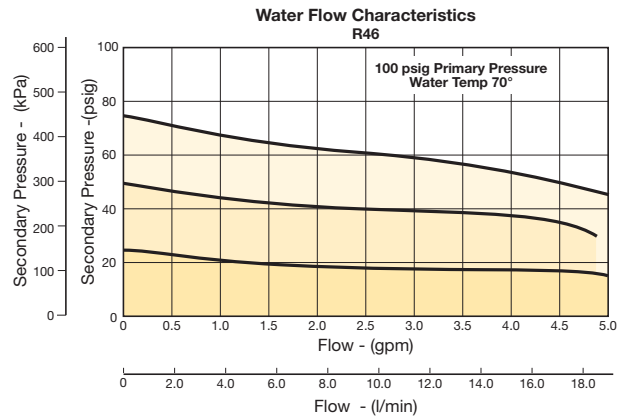
**Material Specifications**

Adjusting screw	Steel
Body	Acetal
Bonnet and seat	Acetal
Diaphragm	EPDM
Seals	EPDM
Springs	Stainless steel
Valve Poppet	EPDM

**Repair and Service Kits**

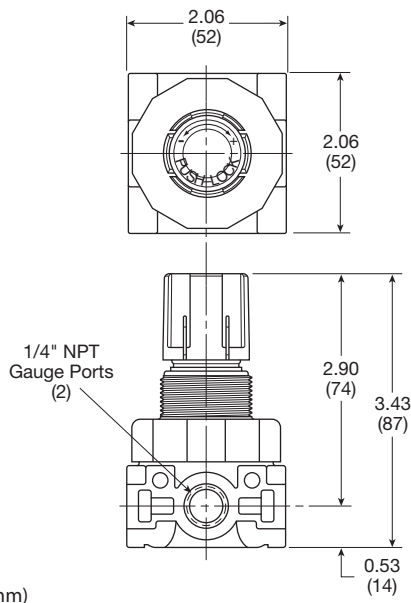
Panel mount nut, plastic	<b>R05X51-P</b>
Mounting bracket and nut	<b>SA161X57</b>
Relieving	<b>RKR45Y</b>
Non-Relieving	<b>RKR45KY</b>
0-25 psig spring	<b>SPR-46</b>
0-60 psig spring	<b>SPR-47</b>
0-125 psig spring	<b>SPR-48</b>

**Flow Charts**



**WARNING**  
 Product rupture can cause serious injury.  
 Do not connect regulator to bottled gas.  
 Do not exceed Maximum primary pressure rating.

**CAUTION:**  
**REGULATOR PRESSURE ADJUSTMENT** – The working range of knob adjustment is designed to permit outlet pressures within their full range. Pressure adjustment beyond this range is also possible because the knob is not a limiting device. This is a common characteristic of most industrial regulators, and limiting devices may be obtained only by special design. For best performance, regulated pressure should always be set by increasing the pressure up to the desired setting.



Inches (mm)

General

Dial

Pilot

Proportional

Precision

Water

**K**

Regulator Products



For inventory, lead times, and kit lookup, visit [www.pdnplu.com](http://www.pdnplu.com)

K110

**Parker Hannifin Corporation**  
Pneumatic Division  
Richland, Michigan  
[www.parker.com/pneumatics](http://www.parker.com/pneumatics)

**Air Preparation Products**

**Bulk Liquid Separators**

P3TF

L2-L5



Bulk Liquid  
Separators



For inventory, lead time, and kit lookup, visit [www.pdnplu.com](http://www.pdnplu.com)

L1

**Parker Hannifin Corporation**  
Pneumatic Division  
Richland, Michigan  
[www.parker.com/pneumatics](http://www.parker.com/pneumatics)

## P3TF Bulk Liquid Separators

- Tested in accordance with ISO 8573.9
- High liquid removal efficiencies at all flow conditions
- Low pressure losses for low operational costs
- Suitable for variable flow compressors
- Low maintenance
- External surface epoxy painted for maximum corrosion resistance
- 1/4" to 3" ports (NPT, BSPP)

### Applications

- Bulk liquid removal at any point in a compressed air system
- Protection of refrigeration and heatless regenerative desiccant dryers
- Liquid removal from compressor Inter-coolers / after-coolers
- Liquid separation within refrigeration dryers
- Pre-filtration



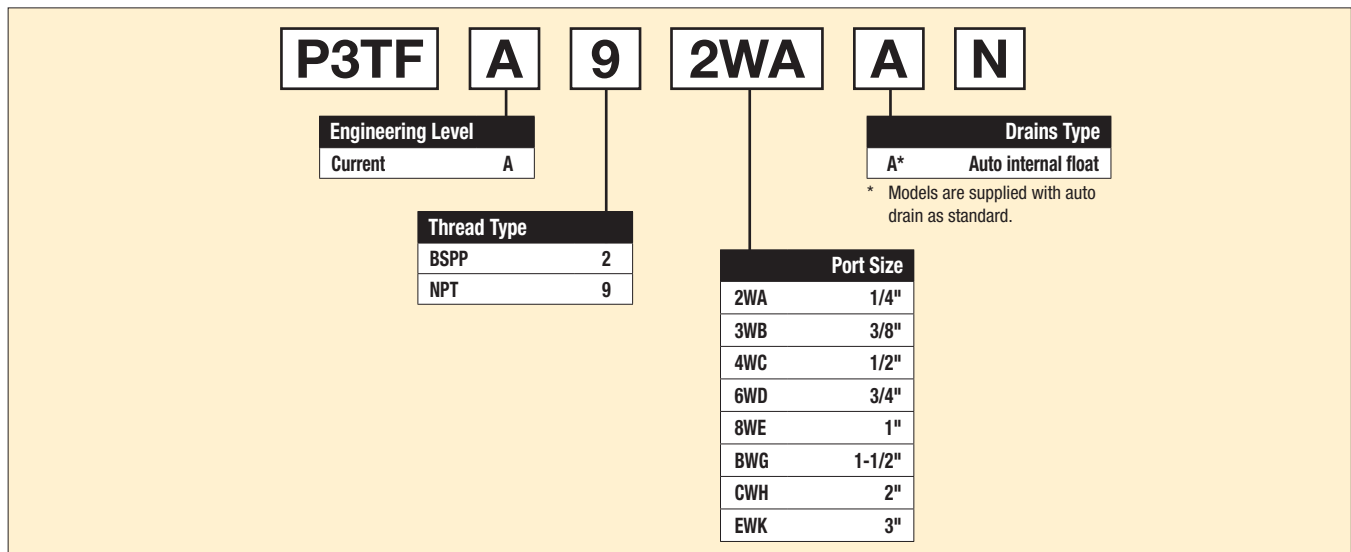
Pipe size	Part number (NPT)
1/4"	<b>P3TFA92WAAN</b>
3/8"	<b>P3TFA93WBAN</b>
1/2"	<b>P3TFA94WCAN</b>
3/4"	<b>P3TFA96WDAN</b>
1"	<b>P3TFA98WEAN</b>
1-1/2"	<b>P3TFA9BVGAN</b>
2"	<b>P3TFA9CWHAN</b>
3"	<b>P3TFA9EWKAN</b>

### Operating information

Operating pressure (max):	232 psig (16 bar)										
Operating temperature:	35°F to 176°F (1.5°C to 80°C)										
Pressure differential at rated flow:	1.0 psid (0.07 bar)										
Flow:	<table border="0"> <tr> <td>1/4"</td> <td>21 scfm (10 L/s)</td> </tr> <tr> <td>3/8", 1/2"</td> <td>85 scfm (40 L/s)</td> </tr> <tr> <td>3/4", 1"</td> <td>233 scfm (110 L/s)</td> </tr> <tr> <td>1-1/2", 2"</td> <td>742 scfm (350 L/s)</td> </tr> <tr> <td>3"</td> <td>1695 scfm (800 L/s)</td> </tr> </table>	1/4"	21 scfm (10 L/s)	3/8", 1/2"	85 scfm (40 L/s)	3/4", 1"	233 scfm (110 L/s)	1-1/2", 2"	742 scfm (350 L/s)	3"	1695 scfm (800 L/s)
1/4"	21 scfm (10 L/s)										
3/8", 1/2"	85 scfm (40 L/s)										
3/4", 1"	233 scfm (110 L/s)										
1-1/2", 2"	742 scfm (350 L/s)										
3"	1695 scfm (800 L/s)										
Weight:	<table border="0"> <tr> <td>1/4"</td> <td>1.3 lb (0.6 kg)</td> </tr> <tr> <td>3/8", 1/2"</td> <td>2.4 lb (1.1 kg)</td> </tr> <tr> <td>3/4", 1"</td> <td>4.8 lb (2.2 kg)</td> </tr> <tr> <td>1-1/2", 2"</td> <td>11.2 lb (5.1 kg)</td> </tr> <tr> <td>3"</td> <td>22.0 lb (10.0 kg)</td> </tr> </table>	1/4"	1.3 lb (0.6 kg)	3/8", 1/2"	2.4 lb (1.1 kg)	3/4", 1"	4.8 lb (2.2 kg)	1-1/2", 2"	11.2 lb (5.1 kg)	3"	22.0 lb (10.0 kg)
1/4"	1.3 lb (0.6 kg)										
3/8", 1/2"	2.4 lb (1.1 kg)										
3/4", 1"	4.8 lb (2.2 kg)										
1-1/2", 2"	11.2 lb (5.1 kg)										
3"	22.0 lb (10.0 kg)										

**Pressure differential at rated flow ... 1.0 psid (0.07 bar)**  
 Stated flows are for operation at 102 psig (7 bar) with reference to 68°F (20°C), 1 bar (a), 0% relative water vapor pressure.

### Ordering information:



Most popular.



For inventory, lead times, and kit lookup, visit [www.pdnplu.com](http://www.pdnplu.com)

**Inlet air pressure correction**

psi	15	29	44	58	73	87	100	116	131	145	160	174	189	203	218	232
bar	1	2	3	4	5	6	7	8	9	10	11	12	13	14	15	16
Factor	4.00	2.63	2.00	1.59	1.33	1.14	1.00	0.94	0.89	0.85	0.82	0.79	0.76	0.73	0.71	0.68

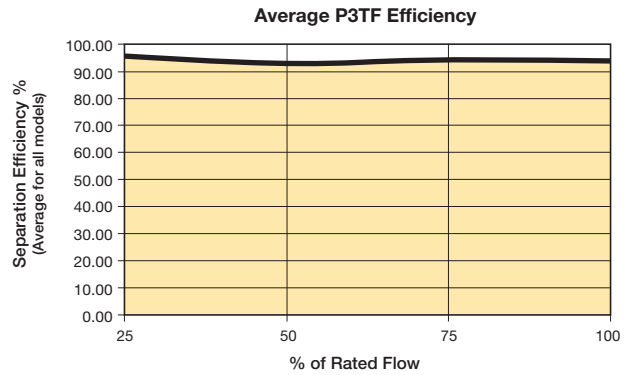
**Material Specifications**

Automatic float drain	Plastic
Housing / bowl	Aluminum
Seals	Fluorocarbon

**Repair and Service Kits**

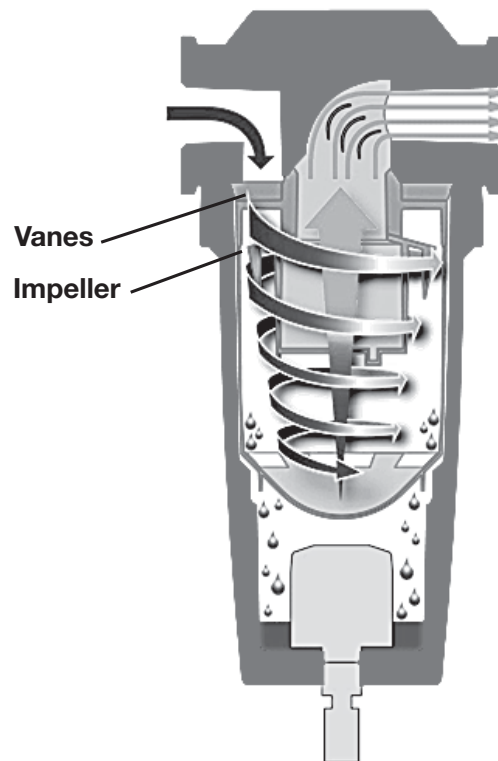
Drain kit	<b>EFI</b>
-----------	------------

**Flow**



**Operation**

- Air enters the bulk liquid separator inlet and turns into the separator module.
- The inlet of the separator module contains a set of fixed vanes which the air must pass through.
- The vanes force the air to spin inside the vessel.
- The spinning air is then forced to change direction as it passes the impeller.
- A vortex is created which, due to the design of the separator module, narrows and intensifies as it reaches the lower part of the separator module.
- Bulk liquid is removed from the airstream due to:
  - directional changes of the airstream
  - velocity changes
  - centrifugal action of the vortex
- As the vortex reaches the bottom of the module, air is forced through the center of the vortex.
- Aerospace turning vanes, located in the outlet of the separator module, turn an inefficient corner into a number of more efficient corners.
- Turning vanes reduce turbulence, minimizing pressure loss and cost of ownership.
- The number of vanes required is dependent upon the conduit diameter.



P3TF Series

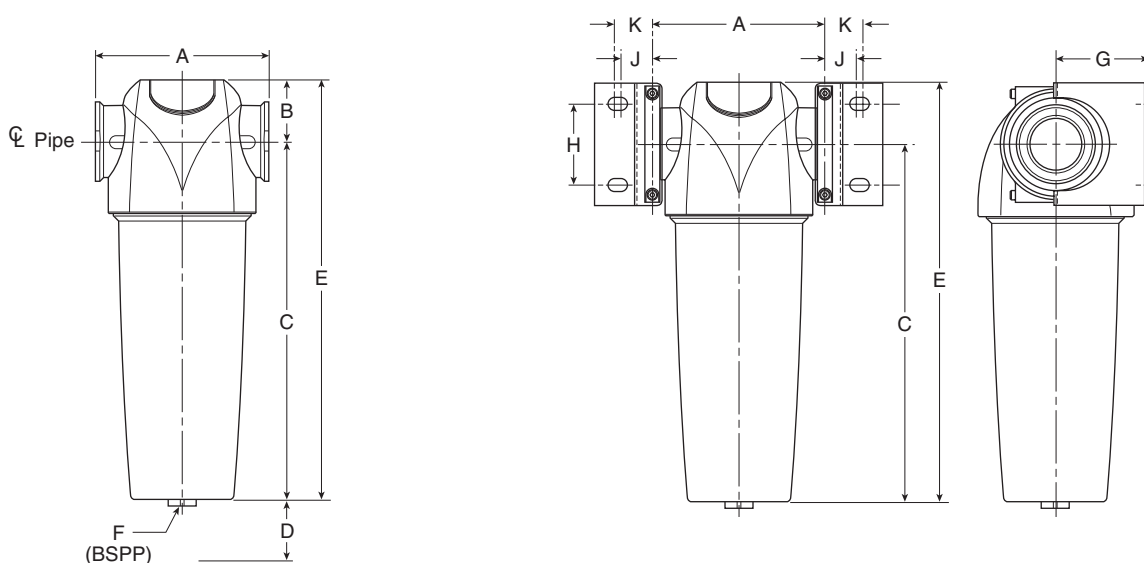
Bulk Liquid Separators



For inventory, lead time, and kit lookup, visit [www.pdnplu.com](http://www.pdnplu.com)

**Bulk Liquid Separators**

**P3TF (Bulk Liquid Separator)**



**Dimensions**

Part number	Pipe size	A	B	C	D	E	BSPP F	G	H	J	K	Wall mounting bracket kit
P3TFA92WAAN	1/4"	3.00 (76)	1.12 (28.5)	6.02 (153)	1.58 (40)	7.15 (181.5)	1/2	2.05 (50)	1.18 (30)	0.71 (18)	0.96 (24.5)	P3TKA00MWA
P3TFA93WBAN	3/8"	3.83 (97.5)	1.34 (34)	7.91 (201)	1.97 (50)	9.25 (235)	1/2	2.36 (60)	1.57 (40)	0.81 (20.5)	1.00 (25.5)	P3TKA00MWB
P3TFA94WCAN	1/2"	3.83 (97.5)	1.34 (34)	7.91 (201)	1.97 (50)	9.25 (235)	1/2	2.36 (60)	1.57 (40)	0.81 (20.5)	1.00 (25.5)	P3TKA00MWB
P3TFA96WDAN	3/4"	5.07 (129)	1.67 (42.5)	9.20 (232.5)	2.76 (70)	10.80 (275)	1/2	2.68 (68)	2.36 (60)	0.91 (23)	1.10 (28)	P3TKA00MWD
P3TFA98WEAN	1	5.07 (129)	1.67 (42.5)	12.68 (322)	2.76 (70)	14.35 (364.5)	1/2	2.68 (68)	2.36 (60)	0.91 (23)	1.10 (28)	P3TKA00MWD
P3TFA9BWGAN	1-1/2"	6.70 (170)	1.97 (50)	18.68 (474.5)	3.94 (100)	20.64 (524.5)	1/2	3.62 (92)	3.31 (84)	1.26 (32)	1.54 (39)	P3TKA00MWF
P3TFA9CWHAN	2"	6.70 (170)	1.97 (50)	18.68 (474.5)	3.94 (100)	20.64 (524.5)	1/2	3.62 (92)	3.31 (84)	1.26 (32)	1.54 (39)	P3TKA00MWF
P3TFA9EWKAN	3"	8.07 (205)	2.36 (60)	30.39 (772)	4.72 (120)	32.76 (832)	1/2	5.31 (135)	3.94 (100)	1.40 (35.5)	1.67 (42.5)	P3TKA00MWJ

Inches (mm)

**Wall Mounting Bracket Kit**

Mounting brackets provide additional support to filters installed in flexible piping systems or OEM equipment.



For inventory, lead time, and kit lookup, visit [www.pdnplu.com](http://www.pdnplu.com)

**P3TF Bulk Liquid Separators**

- Designed in accordance with ASME and CRN
- High liquid removal efficiencies at all flow conditions
- Suitable for variable flow compressors
- Works with all types of compressor and compressor condensate
- External surface epoxy painted for maximum corrosion resistance
- 4" & 6" flange\*



**P3TF Series**

Port size	Part number
4" Flange	<b>P3TFAFFW2AN</b>
6" Flange	<b>P3TFAFGW3AN</b>

\* 150# Flange

**Operating information**

Operating Pressure:	15 to 232 psi (1 to 232 bar)
Operating Temperature:	35°F to 140°F (1.5°C to 60°C)
Flow capacity †:	4" 2100 scfm (991.1 dm <sup>3</sup> /s, ANR) 6" 3780 scfm (1783.9 dm <sup>3</sup> /s, ANR)
Weight:	4" 180 lb (81.6 kg) 6" 257 lb (116.6 kg)

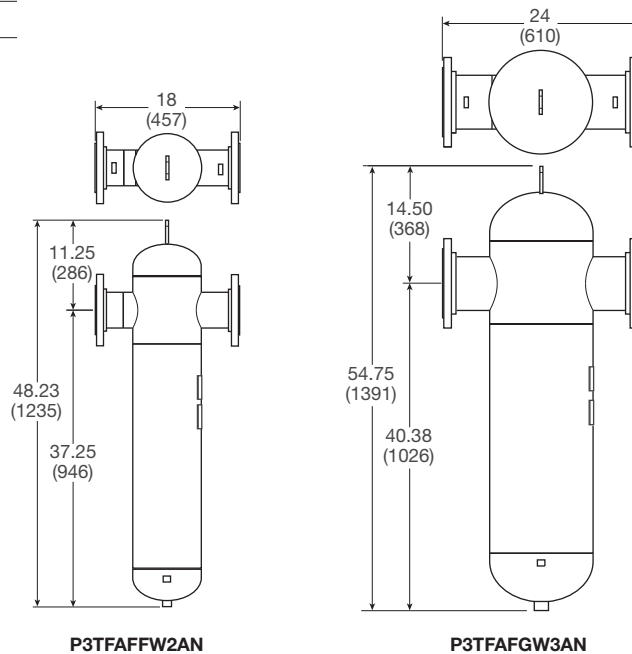
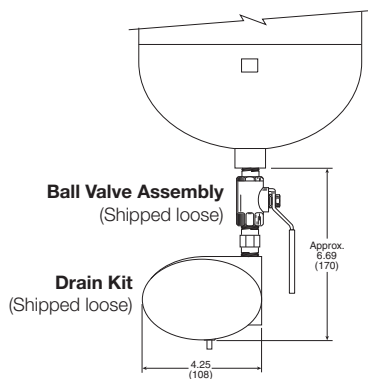
† Stated flows at 100 psi (7 bar), 68°F (20°C), 0% relative water vapor pressure.

**Material specifications**

Baffle	Plated steel
Body	Steel
Deflector	Plated steel
Seals	Fluorocarbon
Stud	Plated steel

**Repair and Service Kits**

DP gauge replacement kit	<b>DPG-Kit</b>
Drain kit - 1/2" NPT	<b>HDF-120-NPT-A</b>



  Most popular.



For inventory, lead time, and kit lookup, visit [www.pdnplu.com](http://www.pdnplu.com)



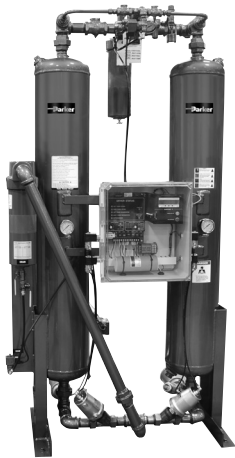


For inventory, lead times, and kit lookup, visit [www.pdnplu.com](http://www.pdnplu.com)



**Air Preparation Products**  
**Dryer Series**

<a href="#">PRD Refrigeration</a>	M2-M5
<a href="#">DD Disposable</a>	M6
<a href="#">DD Inline Desiccant</a>	M7-M8
<a href="#">DAS Regenerative Desiccant</a>	M9-M12
<a href="#">PTW Heatless Desiccant</a>	M13-M16



For inventory, lead time, and kit lookup, visit [www.pdnplu.com](http://www.pdnplu.com)

M1

**Parker Hannifin Corporation**  
 Pneumatic Division  
 Richland, Michigan  
[www.parker.com/pneumatics](http://www.parker.com/pneumatics)

PRD Refrigeration Dryer Series



Refrigeration

Disposable

Desiccant

PRD10 - PRD175

- “Plug & Play” design for easy installation and operation (PRD10 - PRD175)
- Small space saving design
- Oversized demister separator resulting in excellent liquid removal over all operating conditions
- Low pressure differential across the dryer (1.45 psig average)
- Oversized condenser to operate in ambients to 122°F (50°C)
- All models incorporate a dewpoint indicator

PRD200 - PRD2400

- Optimum dewpoint levels for highest system performance
- Advanced patented design solutions
- High reliability, easy to use and maintain
- Unique 4-in-1 SmartPack heat exchanger
- Integral drain
- Extremely low pressure drop design
- SmartControl energy saving function
- Excellent dewpoint performances
- Advanced compliant scroll compressor

PRD Series

Capacity SCFM @ 100 psig (m³/min @ 6.9 bar)	Primary voltage	Part number	Pipe size	Recommended filtration		
				Bulk separator	Pre-filter (5µ particulate)*†	Post-filter (.01µ coalescing)
10 (17)	115V/1ph/60Hz	PRD10-115160	1/2" NPT-F	P3TFA94WCAN	P32FB94ESAN	P32FB94DSAN
15 (26)	115V/1ph/60Hz	PRD15-115160	1/2" NPT-F	P3TFA94WCAN	P32FB94ESAN	P32FB94DSAN
25 (43)	115V/1ph/60Hz	PRD25-115160	1/2" NPT-F	P3TFA94WCAN	P32FB94ESAN	P32FB94DSAN
35 (60)	115V/1ph/60Hz	PRD35-115160	1/2" NPT-F	P3TFA94WCAN	P32FB94ESAN	P32FB94DSAN
50 (85)	115V/1ph/60Hz	PRD50-115160	3/4" NPT-F	P3TFA96WDAN	P33FA96ESAN	P33FA96DSAN
75 (127)	115V/1ph/60Hz	PRD75-115160	3/4" NPT-F	P3TFA96WDAN	P33FA96ESAN	P33FA96DSAN
100 (170)	115V/1ph/60Hz	PRD100-115160	3/4" NPT-F	P3TFA96WDAN	P3NFA96GSA †	P3NFA96DSA
125 (212)	115V/1ph/60Hz & 230V/1ph/60Hz	PRD125-115160 PRD125-230160	1-1/2" NPT-F	P3TFA9BWGAN	P3NFA9PGSA †	P3NFA9PDSA
150 (255)	115V/1ph/60Hz & 230V/1ph/60Hz	PRD150-115160 PRD150-230160	1-1/2" NPT-F	P3TFA9BWGAN	P3NFA9PGSA †	P3NFA9PDSA
175 (297)	115V/1ph/60Hz	PRD175-230160	1-1/2" NPT-F	P3TFA9BWGAN	35F77BAP	35F77EAP
200 (425)	230V/1ph/60Hz	PRD200-230160	1-1/2" NPT-F	P3TFA9BWGAN	35F77BAP	35F77EAP
250 (425)	230V/3ph/60Hz & 460V/3ph/60Hz	PRD250-230360 PRD250-460360	1-1/2" NPT-F	P3TFA9BWGAN	35F77BAP	35F77EAP
325 (552)	230V/3ph/60Hz & 460V/3ph/60Hz	PRD325-230360 PRD325-460360	2" NPT-F	P3TFA9CWHAN	35F87BAP	35F87EAP
400 (680)	230V/3ph/60Hz & 460V/3ph/60Hz	PRD400-230360 PRD400-460360	2" NPT-F	P3TFA9CWHAN	35F87BAP	35F87EAP
500 (849)	230V/3ph/60Hz & 460V/3ph/60Hz	PRD500-230360 PRD500-460360	2" NPT-F	P3TFA9CWHAN	35F87BAP	35F87EAP
700 (1189)	230V/3ph/60Hz & 460V/3ph/60Hz	PRD700-230360 PRD700-460360	3" NPT-M	P3TFA9EWKAN	43FN7BAP	43FN7EAP
800 (1359)	230V/3ph/60Hz & 460V/3ph/60Hz	PRD800-230360 PRD800-460360	3" NPT-M	P3TFA9EWKAN	43FN7BAP	43FN7EAP
1000 (1700)	460V/3ph/60Hz	PRD1000-460360	3" NPT-M	P3TFA9EWKAN	43FN7BAP	43FN7EAP
1200 (2039)	460V/3ph/60Hz	PRD1200-460360	3" NPT-M	P3TFA9EWKAN	43FN7BAP	43FN7EAP
1600 (2718)	460V/3ph/60Hz	PRD1600-460360	4" Flg.	P3TFAFFW2AN	P3TFAFFQ2AN*	P3TFAFFD2AN
2000 (3400)	460V/3ph/60Hz	PRD2000-460360	6" Flg.	P3TFAFGW3AN	P3TFAFGQ3AN*	P3TFAFGD3AN
2400 (4078)	460V/3ph/60Hz	PRD2400-460360	6" Flg.	P3TFAFGW3AN	P3TFAFGQ3AN*	P3TFAFGD3AN

Most popular.

\* 1µ coalescing  
† 40 micron



For inventory, lead times, and kit lookup, visit [www.pdnplu.com](http://www.pdnplu.com)

**PlusPack heat exchanger (patent pending)**

The revolutionary PlusPack features a 3-in-1 aluminum design with integral air connections. All models include an air-to-air freecooler, while the unique “slowflow” demister ensures perfect dewpoints whatever the operating conditions.

**Demister separator**

A high capacity demister separator is employed for the removal of condensed liquids. This lowers the air velocity which maximizes the condensate separation from the air, even when the dryer is not operating at maximum flow. This design also ensures the differential pressure across the dryer is kept to a minimum.

**Refrigerant condenser**

Oversized high efficiency air cooled condenser. Re-positioned to improve reliability and reduce the risk of dirt contamination.

**Condensate drain niche**

The PRD Refrigeration Dryer range comes standard with a level sensing automatic float drain. Other drains are available upon request. The positioning of the drain niche allows for easy access to the drain without the requirement of removing panels.

**Refrigerant compressor**

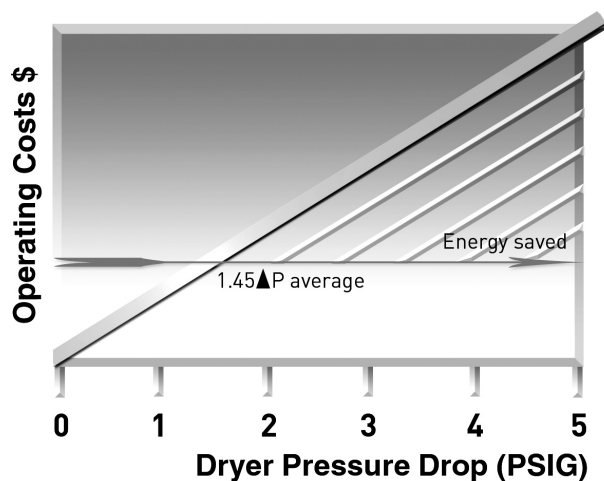
Maintenance free hermetically sealed refrigerant compressor. Low refrigerant charge eliminates the requirement for pre-heating on start up & prevents any liquid refrigerant returns.



**Assured quality & performance**

Every dryer undergoes sophisticated testing, including dewpoint tests with compressed air flow. Multiple helium leak testing, again on every dryer, ensures years of trouble-free operation.

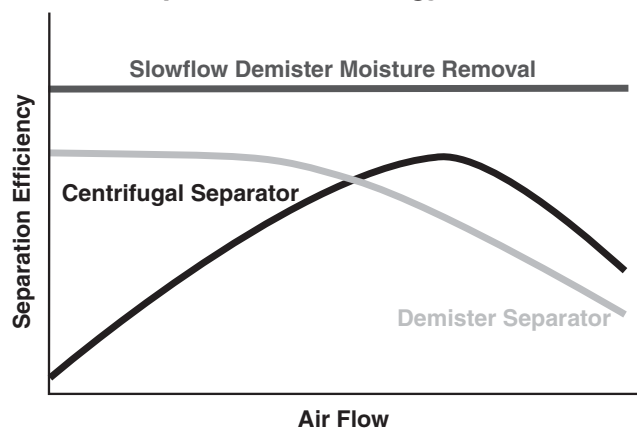
**Energy efficiency**



Poorly constructed heat exchangers and liquid separators create a high pressure differential across the dryer which leads to high operational costs and poor dewpoint performance.

The PRD dryer range utilizes advanced heat exchanger and demister separation technology and delivers uncompromising performance at the lowest cost of ownership.

**Moisture separation technology**



The oversized “slowflow” demister is non-velocity sensitive and therefore offers excellent liquid separation whatever the airflow.

Refrigeration
Disposable
Desiccant
Regenerative Desiccant
Heatless Desiccant
Dryers
<b>M</b>



For inventory, lead time, and kit lookup, visit [www.pdnplu.com](http://www.pdnplu.com)

## Refrigeration Dryers

The importance of compressed air as a provider of energy for modern industrial processes is widely known. What is often overlooked however is the need to provide quality treatment for this air.

In fact, the air entering the system contains condensate which, when cooled, will turn into liquid water, causing extensive damage not only to the compressed air network, but also to the finished product.

PRD refrigeration dryers actively remove this condensate to achieve extremely dry compressed air.

Our SmartPack heat exchanger offers minimal pressure drops and class leading performance, and significantly increases the efficiency of the whole compressed air treatment process. The innovative SmartControl function automatically and continuously adjusts dryer operation to the effective working conditions, minimizing operating costs and maximizing performances.

Compressed air purification equipment must deliver uncompromising performance and reliability while providing the right balance of air quality with the lowest cost of operation. Many manufacturers offer products for the filtration and purification of contaminated compressed air, which are often selected only upon their initial purchase cost, with little or no regard for the air quality they provide, the cost of operation throughout their life or their environmental impact. When purchasing purification equipment, delivered air quality, the overall cost of ownership and the equipment's environmental impact must always be considered.

### Smart technology: the benefits

#### SmartPack heat exchanger provides less than 2 PSI pressure drop

The SmartPack (patent pending) heat exchanger features an extremely robust, all-in-one aluminum design, with no interconnecting tubing.

The geometry of the heat exchanger has been designed in order to optimize its performances. In particular, large volumes allow low air velocity through the heat exchanger section, resulting in high exchange efficiency and low pressure drops. Pressure drops are further improved thanks to the absence of interconnecting pipes through the different sections of the heat exchanger and to a straight forward path of the compressed air flow with smooth and minimum changes of flow directions.

#### Smart BMS interface

- Simple BMS interface includes:
- RS485 serial card provides direct communication to Modbus. Requires no gateway or A.N.I.
- Provides visualization of dewpoint, alarm conditions and service indication
- Provides remote control of the dryer including on/off and alarm reset (depending on actual alarm)

## Air Preparation Products Dryers



#### SmartDrain - Dual mode zero air loss drain

The drainage chamber is integrated into the heat exchanger while the valve mechanism is fitted in an easily accessible drain niche. The SmartDrain continuously adjusts itself to the actual working conditions, ensuring zero air loss and a notable reduction in system power consumption.

An innovative control system continuously monitors for fault situations. If a fault does occur, an alarm is signaled and the drain switches to conventional timed solenoid drain operation. The dual mode circuitry ensures maximum reliability.

#### Smart control with SmartSave cycling

The multifunction SmartControl provides a versatile platform for user interface and SmartSave Cycling (if enabled). The innovative SmartSave (patent pending)

Cycling Control continuously monitors the demand placed on the dryer. At conditions of low demand the refrigerant compressor is cycled off to save energy. A sophisticated algorithm continuously adapts the operation of the dryer for optimum energy efficiency while minimizing the dewpoint spikes common to traditional thermal mass dryers.

#### Compliant scroll compressors

These units feature Compliant Scroll compressors, offering energy savings of 20 -30% when compared with piston compressors. The ability to tolerate liquid returns coupled with 50% less moving parts render them nearly indestructible and highly reliable. Low vibration levels increase overall refrigeration circuit

Refrigeration

Disposable

Desiccant

Regenerative  
DesiccantHeatless  
Desiccant

Dryers

M



For inventory, lead times, and kit lookup, visit [www.pdnplu.com](http://www.pdnplu.com)

M4

**Parker Hannifin Corporation**  
Pneumatic Division  
Richland, Michigan  
[www.parker.com/pneumatics](http://www.parker.com/pneumatics)

**Operating information**

		PRD10-PRD175	PRD200-PRD250	PRD325-PRD2400
Temperature:	Ambient (maximum)	122°F (50°C)	122°F (50°C)	122°F (50°C)
	Ambient (minimum)	41°F (5°C)	41°F (5°C)	41°F (5°C)
	Inlet (maximum)	149°F (65°C)	140°F (60°C)	140°F (60°C)
Pressure (maximum):		232 psig (16 bar)	203 psig (14 bar)	203 psig (14 bar)
Refrigerant:		R134a	R407C	R407C

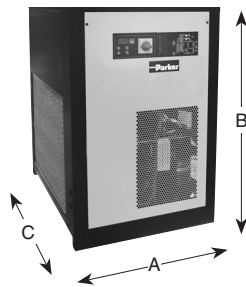
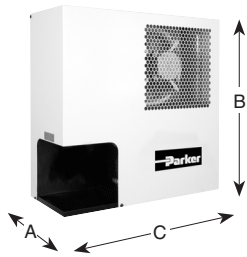
**Flow correction factors** Capacities are based upon:  
 Ambient temperature - 100°F (38°C); inlet temperature - 100°F (38°C);  
 and working pressure - 100 psig (7 bar g).

To obtain dryer capacity at new conditions: nominal capacity x C1 x C2 x C3.  
 Nominal capacity = pre-selected dryer model rated flow for application.

PRD10 - PRD175								PRD200 - PRD250								PRD325 - PRD2400							
<b>Ambient temperature (C1)</b>																							
°F	60	70	80	89	100	110	120	70	80	90	100	110	120	122	90	100	110	120	122				
°C	16	21	27	32	38	43	49	21	27	32	38	43	49	50	32	38	43	49	50				
Factor	1.34	1.26	1.17	1.09	1.00	0.91	0.82	1.22	1.12	1.08	1.00	0.9	0.79	0.71	1.05	1.00	0.94	0.79	0.71				
<b>Inlet temperature (C2)</b>																							
°F	90	100	110	120	140	149	90	100	110	120	130	140	90	100	110	120	130	140					
°C	32	38	43	49	60	65	32	38	43	49	54	60	32	38	43	49	54	60					
Factor	1.24	1.00	0.81	0.67	0.45	0.44	1.24	1.00	0.82	0.68	0.56	0.40	1.22	1.00	0.82	0.68	0.56	0.46					
<b>Inlet pressure (C3)</b>																							
psig	60	80	100	125	150	175	200	230	50	80	100	125	150	174	203	50	80	100	125	150	174	203	
bar	4	6	7	9	10	12	14	16	3	6	7	9	10	12	14	3	6	7	9	10	12	14	
Factor	0.83	0.93	1.00	1.07	1.12	1.16	1.19	1.22	0.77	0.93	1.00	1.07	1.12	1.15	1.18	0.77	0.93	1.00	1.07	1.12	1.15	1.18	

**Dimensions**

Part number	A	B	C	Weight (kg)
<b>PRD10-PRD175</b>				
PRD10-115160	8.3 (210)	17 (430)	17.7 (450)	42 (19)
PRD15-115160	8.3 (210)	17 (430)	17.7 (450)	42 (19)
PRD25-115160	8.3 (210)	19.9 (505)	19.7 (500)	52 (24)
PRD35-115160	8.3 (210)	19.9 (505)	19.7 (500)	52 (24)
PRD50-115160	8.9 (225)	22.3 (565)	20.5 (520)	58 (27)
PRD75-115160	8.9 (225)	22.3 (565)	20.5 (520)	68 (31)
PRD100-115160	8.9 (225)	22.3 (565)	20.5 (520)	77 (35)
PRD125-115160	16.7 (425)	23.8 (605)	21.8 (555)	115 (52)
PRD150-115160	16.7 (425)	23.8 (605)	21.8 (555)	128 (58)
PRD175-230160	16.7 (425)	23.8 (605)	21.8 (555)	132 (60)
<b>PRD200-PRD2400</b>				
PRD200-230160	28.0 (711)	37.0 (940)	22.0 (559)	183 (83)
PRD250-230360	28.0 (711)	42.0 (1067)	41.0 (1041)	287 (130)
PRD325-230360	28.0 (711)	42.0 (1067)	41.0 (1041)	320 (145)
PRD400-230360	28.0 (711)	42.0 (1067)	41.0 (1041)	320 (145)
PRD500-230360	28.0 (711)	42.0 (1067)	41.0 (1041)	342 (155)
PRD700-230360	32.0 (813)	52.0 (1321)	46.0 (1168)	529 (240)
PRD800-230360	32.0 (813)	52.0 (1321)	46.0 (1168)	529 (240)
PRD1000-460360	32.0 (813)	52.0 (1321)	46.0 (1168)	551 (250)
PRD1200-460360	40.0 (1016)	67.0 (1702)	43.0 (1092)	816 (370)
PRD1600-460360	40.0 (1016)	68.0 (1727)	71.0 (1803)	1279 (580)
PRD2000-460360	40.0 (1016)	68.0 (1727)	71.0 (1803)	1477 (670)
PRD2400-460360	40.0 (1016)	68.0 (1727)	71.0 (1803)	1521 (690)



Inches (mm)

Most popular.



For inventory, lead time, and kit lookup, visit [www.pdnplu.com](http://www.pdnplu.com)

M5

**Parker Hannifin Corporation**  
 Pneumatic Division  
 Richland, Michigan  
[www.parker.com/pneumatics](http://www.parker.com/pneumatics)

Refrigeration

Disposable

Desiccant

Regenerative Desiccant

Heatless Desiccant

Dryers

M

**DD10 Mini Disposable Dryer**

**Mini disposable inline desiccant dryer – DD10**

Used at the point-of-use, this disposable, mini inline desiccant dryer removes all traces of water vapor, oil vapor and dirt. It is often used directly upstream of blow guns or spray guns as final protection for critical parts blow off and paint spraying. Install in either direction; it functions in both directions.

A 40 micron, porous bronze element removes fine dirt particles, an oil removing media removes oil vapor, and desiccant beads adsorb water vapor. The see-through housing shows desiccant color change from the original orange to a green color in the desiccant beads, which indicates that the dryer needs to be replaced.

**Features**

- Polycarbonate material allows clear desiccant visibility
- Disposable
- Used for parts blow off
- Protection for paint guns
- Non-toxic desiccant standard
- 1/4" port (NPT)



**DD10-02**

**Operating information**

Operating temperature:	32°F to 130°F (0°C to 54°C)
Maximum	130°F (54°C)
Flow capacity:	15 scfm (7.1 dm <sup>3</sup> /s, ANR)
Pressure rating (max.):	125 psig (8.6 bar)
Weight:	2.8 oz (79.4 g)

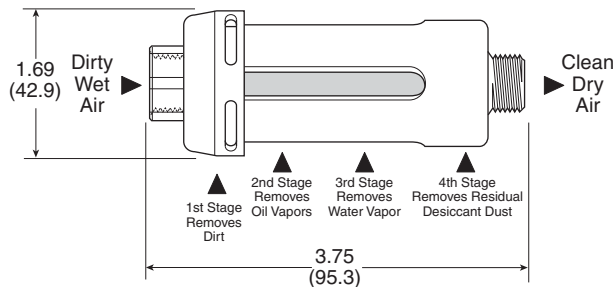
**Installation**

The DD10 is equipped with a 1/4" NPT (F) and (M) ports and can be installed in either direction. When installing the filter/dryer hand tighten to a leak proof seal. Do not use any mechanical means to hold the filter/dryer and do not over torque the threads.

**Operation**

1. The unique feature of the filter/dryer design allows you to visually see when it is time to install a new DD10 by observing the color change from the original orange color to a complete green color in the desiccant beads.
2. Do not attempt to clean the filter/dryer as the use of solvents, ketones, etc., will adversely affect the plastic housing.
3. Keep the hose free of snags. Extra tension on the filter/dryer assembly could break the unit at the connecting ports. To clear stuck hoses, grasp hose below the filter/dryer.

Non-metallic material is highly resistant to chemicals. See through housing shows color change when dryer needs replacement.



Refrigeration

Disposable

Desiccant

Regenerative Desiccant

Heatless Desiccant

Dryers

**M**



For inventory, lead times, and kit lookup, visit [www.pdnplu.com](http://www.pdnplu.com)

## DD Inline Desiccant Dryers

- Inline desiccant dryers are a convenient and cost effective means of ensuring your sensitive intermittent pneumatic applications are never exposed to damaging moisture
- Compact size for point-of-use applications
- Drying efficiency down to -40°F pressure dew point
- Easily and quickly serviced
- Sight glass in bowl to monitor desiccant
- Built-in particulate after filter prevents downstream dust
- No electricity needed
- Low pressure drop
- No purge air lost as with other dryer types
- Check valve required on inlet
- Desiccant must be ordered separately



### Inline Desiccant Dryers

Port size	Part number scfm / desiccant capacity <sup>1</sup>		
	15 scfm / 2.5 lb.	30 scfm / 5 lbs.	60 scfm / 10 lbs.
1/4 <sup>2</sup>	<b>DD15-02</b>		
3/8 <sup>2</sup>	<b>DD15-03</b>		
1/2 <sup>2</sup>	<b>DD15-04</b>	<b>DD30-04</b>	<b>DD60-04</b>
3/4	<b>DD15-06</b>	<b>DD30-06</b>	<b>DD60-06</b>
1		<b>DD30-08</b>	<b>DD60-08</b>

**Notes:**

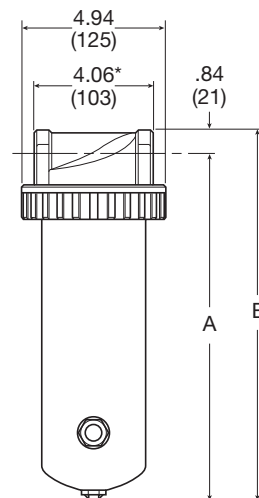
1. Desiccant must be ordered separately.
2. These units supplied with reducer bushings.

### Installation tips

- Always place a moisture separator / particulate filter to remove bulk moisture and a coalescing filter to remove oil upstream of desiccant dryer. Desiccant coated with oil will not adsorb water vapor.
- Automatic drains should be used in prefilters
- A spring ball check valve should be installed at the dryer inlet to maximize the life of the desiccant.

### Operating information

Optimum working temperature:	Below 100°F
Operating temperature:	32°F to 180°F (0°C to 82°C)
Operating pressure (max.):	0 to 300 psig (21 bar)
Filter element rating:	
DD15, DD30	90 micron
DD60	40 micron
Desiccant capacity:	
DD15	2.5 lb. (1.1 kg)
DD30	5 lb. (2.3 kg)
DD60	10 lb. (4.5 kg)
Weight:	
DD15 (add 2.5 lb for weight full)	8 lb. (3.6 kg)
DD30 (add 5 lb for weight full)	13 lb. (5.9 kg)
DD60 (add 10 lb for weight full)	20 lb. (9.1 kg)



	A	B
DD15	12.69 (322)	13.5 (343)
DD30	22.44 (570)	23.25 (591)
DD60	29.44 (748)	30.25 (768)

\* Dimension does not include reducer bushings for 1/4", 3/8", 1/2" versions.  
 Inches (mm)

Most popular.



For inventory, lead time, and kit lookup, visit [www.pdnplu.com](http://www.pdnplu.com)

M7

**Parker Hannifin Corporation**  
 Pneumatic Division  
 Richland, Michigan  
[www.parker.com/pneumatics](http://www.parker.com/pneumatics)

Refrigeration

Disposable

Desiccant

Regenerative  
Desiccant

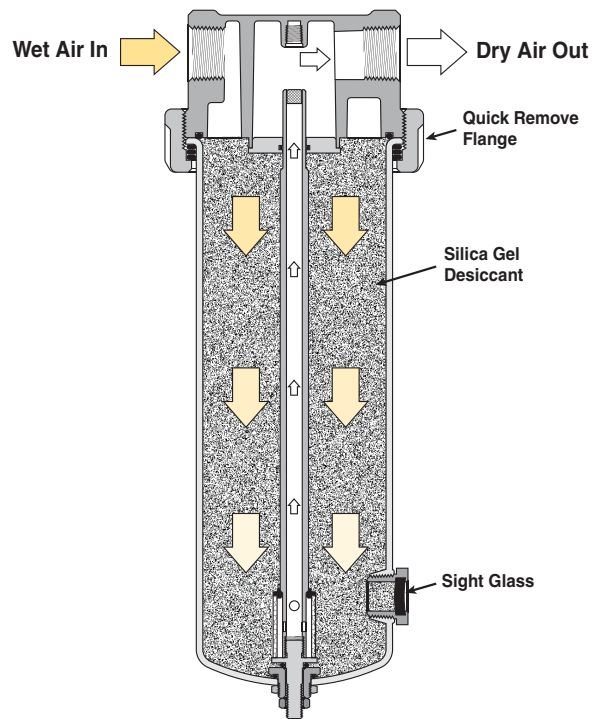
Heatless  
Desiccant

Dryers

**M**

As the wet compressed air enters through the inlet, the air travels down through the bed of desiccant which adsorb the water vapor and aerosols. The silica gel desiccant beads will reduce the humidity down to a -40°F pressure dew point. After the moisture has been removed, the dry air passes through a sintered bronze filter element (eliminating dust downstream), up the tube and out the outlet port.

As the desiccant becomes saturated with moisture, the dew point will begin to rise. This is evident when the orange silica gel desiccant beads in the sight glass change to green, indicating the need for desiccant replacement. Simply remove the flange and bowl and replace with new desiccant or regenerate saturated desiccant by heating to 275°F.



**Material specifications**

Bowl, DD15	Aluminum
Bowl, DD30	Aluminum
Bowl, DD60	Steel
Flow tube	CPVC
Filter element	Sintered bronze
Head & flange ring	Zinc
Other hardware	Brass
Seals	Buna-N
Sight glass	Glass & steel

**Repair and Service Kits**

Desiccant - 100% Indicating silica gel, DD15	<b>DRP-14-447/003</b>
Desiccant - 100% Indicating silica gel, DD30	<b>DRP-14-447/006</b>
Desiccant - 100% Indicating silica gel, DD60	<b>DRP-14-447/012</b>
Mounting brackets (pair of pipe mounted brackets), 1 inch pipe size	<b>SA200CW57</b>
Flow tube repair kit (tube, filter element(s), adaptor), DD15	<b>RKDD15-02-06</b>
Flow tube repair kit (tube, filter element(s), adaptor), DD30	<b>RKDD30-03-08</b>
Flow tube repair kit (tube, filter element(s), adaptor), DD60	<b>RKDD60-03-08</b>
Mounting brackets (DD15 & DD30 only) – 1 inch pipe size (pair of pipe mounted brackets)	<b>SA200CW57</b>
1/4 inch NPT, spring check valve for inlet (250 psig max.)	<b>003393001</b>
3/8 inch NPT, spring check valve for inlet (250 psig max.)	<b>003393002</b>
1/2 inch NPT, spring check valve for inlet (250 psig max.)	<b>003393003</b>
3/4 inch NPT, spring check valve for inlet (250 psig max.)	<b>003393004</b>

Refrigeration  
 Disposable  
 Desiccant  
 Regenerative Desiccant  
 Heatless Desiccant  
 Dryers  
**M**



For inventory, lead times, and kit lookup, visit [www.pdnplu.com](http://www.pdnplu.com)



## DAS Regenerative Desiccant Dryer

- Point of use application bringing clean dry air just where you need it
- Approved to international standards designed in accordance with ASME VIII Div.1, approved to CSA/UL/CRN and fully CE Marked (PED, EMC, LVD) as standard
- Simple to install - flexible installation utilizing the multiple in-line inlet & outlet connection ports
- Compact and lightweight - can be floor, bench or wall / canopy mounted
- Very quiet operation - noise level less than 70dB(A)
- Can be installed almost anywhere, IP66 / NEMA 4 protection as standard
- Audible alarm - indicating service interval for optimal performance
- Simple & easy to maintain - due to the quick release top cap arrangement, which does NOT require the inlet / outlet ports to be disconnected as with traditional systems, maintenance can be achieved in under 15 minutes

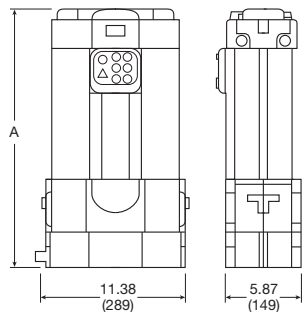
The DAS is the reliable, cost effective and flexible way to provide clean dry air exactly where needed.



### Operating information

Operating temperature:	35°F to 131°F (1.5°C to 55°C)
Inlet temperature:	122°F (50°C) max.
Operating pressure:	58 to 175 psig (4 to 12 bar)
Flow range:	3 scfm to 20 scfm ( @ 100 psig 85 L/min to 567 L/min @ 7 bar)
Noise level (Average):	70dB(A)
Pressure dewpoint – Standard	-40°F (-40°C) pdp (ISO 8573-1:2010 Class 2)
Standard electrical supply:	115/1ph/60Hz (Tolerance +/- 10%)
Controls:	Electronic control timer
Connections:	3/8 NPT

### Regenerative Desiccant Dryer



A	Weight (kg)	scfm	Part number	Maintenance kit *
16.6 (422)	24.2 (11)	3	<b>DAS1-115-60-CSA</b>	<b>DASMK1</b>
19.7 (500)	28.7 (13)	5	<b>DAS2-115-60-CSA</b>	<b>DASMK2</b>
24.2 (616)	35.3 (16)	8	<b>DAS3-115-60-CSA</b>	<b>DASMK3</b>
27.2 (692)	39.7 (18)	10	<b>DAS4-115-60-CSA</b>	<b>DASMK4</b>
33.3 (847)	44.1 (20)	13	<b>DAS5-115-60-CSA</b>	<b>DASMK5</b>
35.7 (906)	50.7 (23)	15	<b>DAS6-115-60-CSA</b>	<b>DASMK6</b>
43.2 (1098)	61.7 (28)	20	<b>DAS7-115-60-CSA</b>	<b>DASMK7</b>

\* Kit includes: desiccant cartridge, MIDAS drain spanner, auto drain, 1/4" BSP silencer, AA prefilter, 3/4" balls, associated o-rings, push-in-plug.



### Correction Factors

Capacities are based upon: Ambient temperature - 100°F (38°C); inlet temperature - 100°F (38°C); and working pressure - 100 psig (7 bar g)  
 Minimum drying capacity = compressed air flow rate x CFT x CFP x CFD

#### Temperature Correction Factor (CFT)

Maximum inlet temperature	°F	77	86	95	104	113	122
	°C	25	30	35	40	45	50
CFT		1.00	1.00	1.00	1.04	1.14	1.37

#### Pressure Correction Factor (CFP)

Minimum inlet pressure	psi g	58	73	87	102	116	131	145	160	174
	bar g	4	5	6	7	8	9	10	11	12
CFP		1.60	1.33	1.14	1.00	1.03	0.93	0.85	0.78	0.71

#### Dewpoint Correction Factor (CFD) Standard

Required dewpoint	PDP °F	-40
	PDP °C	-40
CFD		1.00

Most popular.

### Repair and Service Kits

Mounting bracket, fixed to wall	<b>DASMB1</b>
Mounting bracket, 45° tilt wall	<b>DASMB2</b>



For inventory, lead time, and kit lookup, visit [www.pdnplu.com](http://www.pdnplu.com)

M9

**Parker Hannifin Corporation**  
 Pneumatic Division  
 Richland, Michigan  
[www.parker.com/pneumatics](http://www.parker.com/pneumatics)

Refrigeration

Disposable

Desiccant

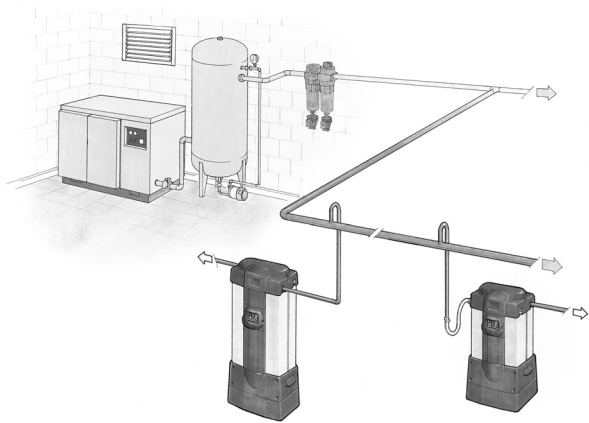
Regenerative Desiccant

Heatless Desiccant

Dryers

M

**Product applications**



**Typical applications:**

- Computer numerical control (CNC) machines
- Coordinate measuring machines
- Laboratories
- Lasers
- Packaging machines
- Instrumentation
- Processing equipment
- Conveying machines

The Regenerative Desiccant Dryers will benefit users who have a specific need for Clean Dry Air (CDA) directly after a compressor, or for a particular application where the air is critical to the operating process or end product.

ISO7000 inlet & outlet symbols cast into the top cover ensure correct piping installation.

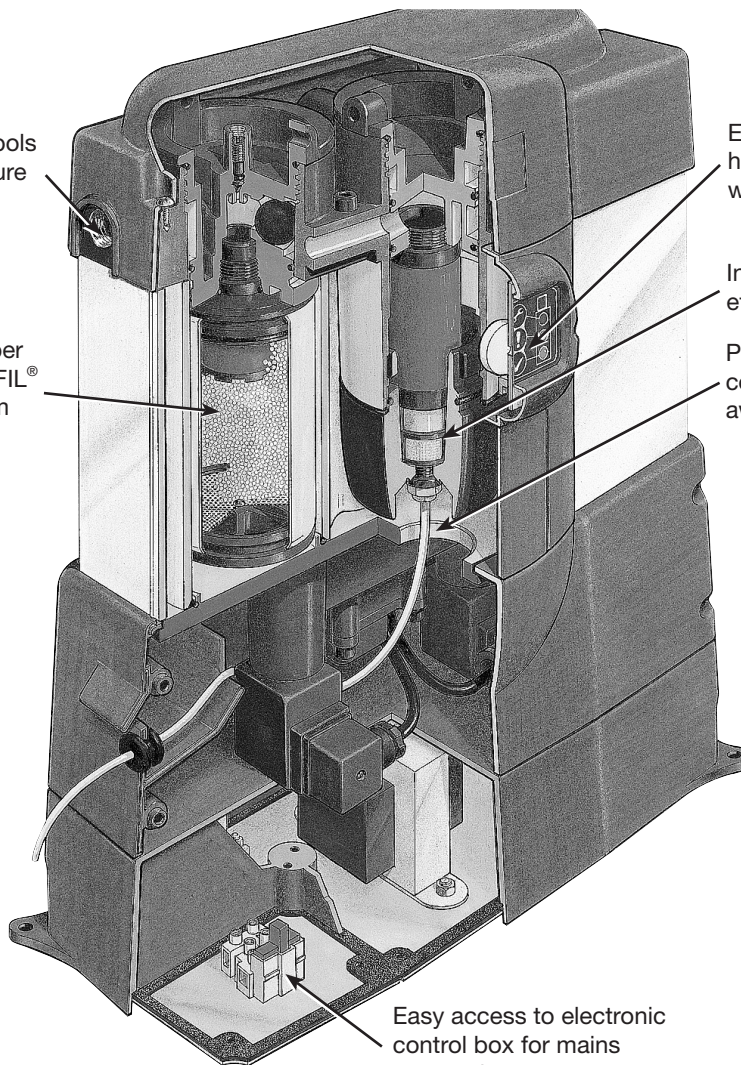
Electronic display providing high visibility LED indication with an internal audible alarm.

One Combo-Cartridge per column containing DRYFIL<sup>®</sup> MS desiccant and a 1µm particulate filter.

Integral 0.01µm high efficiency filter.

Positive removal of prefilter condensate by piping away for remote collection.

Easy access to electronic control box for mains connection.



Refrigeration

Disposable

Desiccant

Regenerative Desiccant

Heateless Desiccant

Dryers

**M**



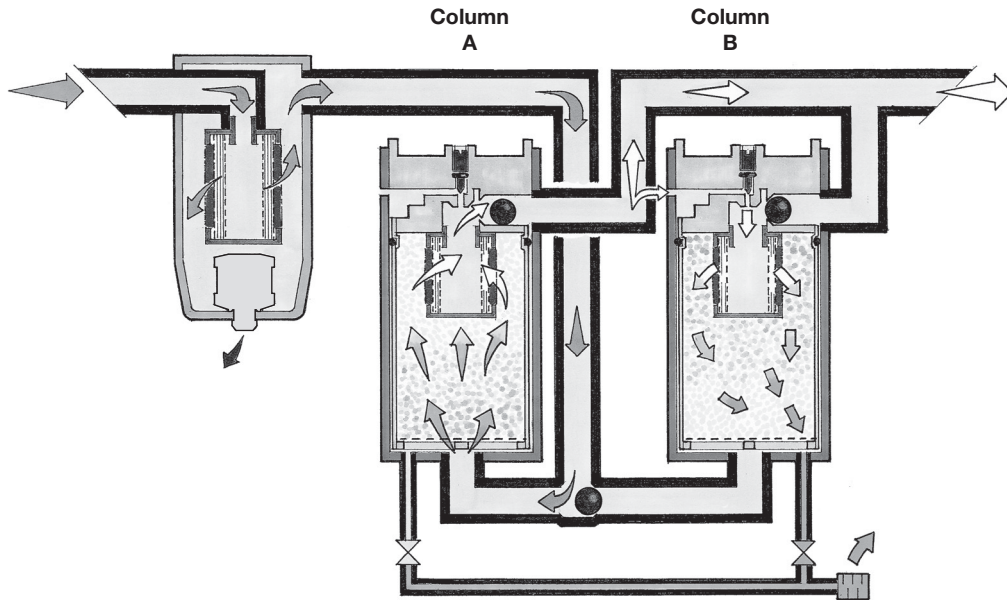
For inventory, lead times, and kit lookup, visit [www.pdnplu.com](http://www.pdnplu.com)

M10

**Parker Hannifin Corporation**  
Pneumatic Division  
Richland, Michigan  
[www.parker.com/pneumatics](http://www.parker.com/pneumatics)

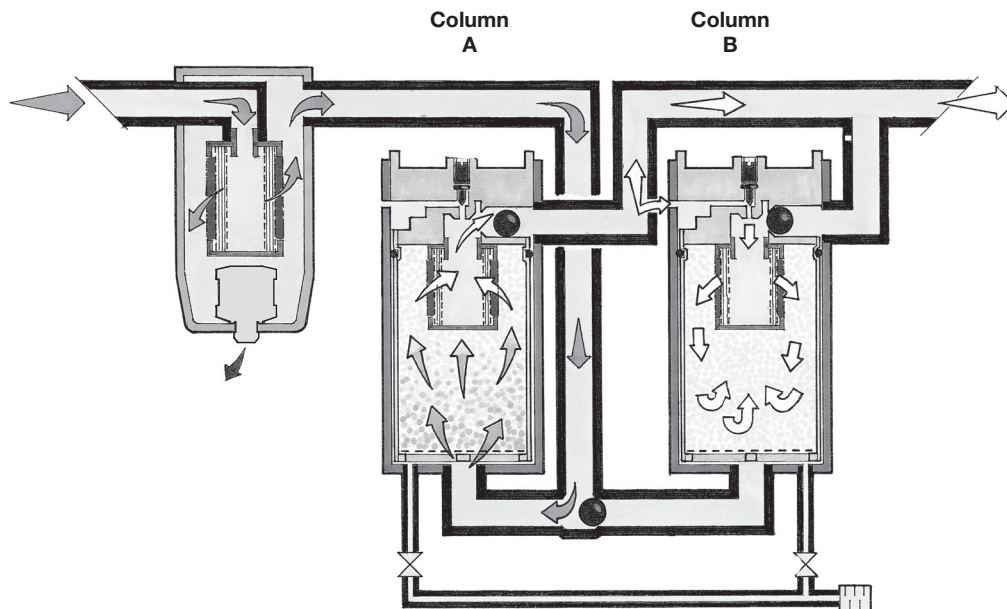
**1** Compressed air enters the integral pre-filter and passes into the left hand chamber (Column A) where the air is dried before passing to the application.

A small amount of dry purge air is used to regenerate the right hand chamber (Column B) which is wet, using the PSA (Pressure Swing Adsorption) method of regeneration, venting the saturated air to atmosphere under pressure. The same regeneration air is also used to “back flush” the integral filter to prolong its working life.



**2** Prior to changeover, the right hand chamber (Column B) enters repressurization where the exhaust.

This process ensures a smooth uninterrupted changeover, preventing the loss of any system pressure, before the process repeats itself.



Refrigeration
Disposable
Desiccant
Regenerative Desiccant
Heatless Desiccant
Dryers
<b>M</b>



For inventory, lead time, and kit lookup, visit [www.pdnplu.com](http://www.pdnplu.com)

M11

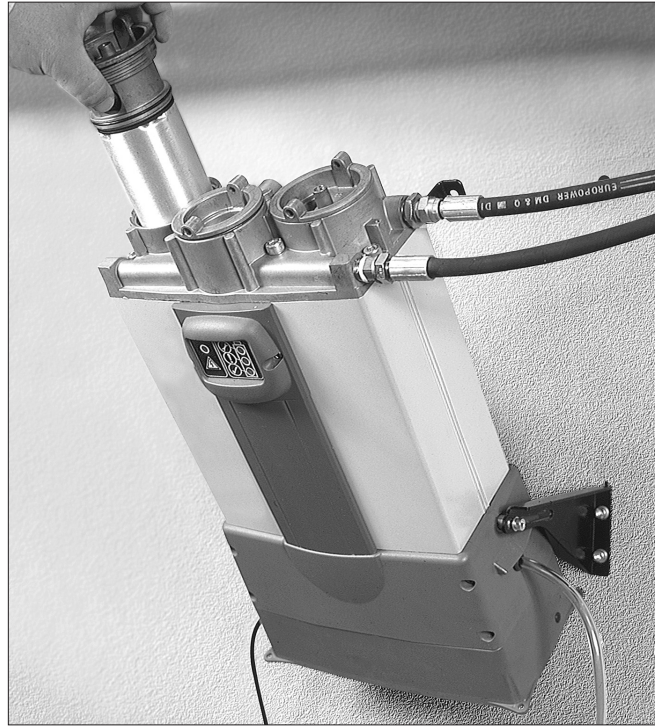
**Parker Hannifin Corporation**  
Pneumatic Division  
Richland, Michigan  
[www.parker.com/pneumatics](http://www.parker.com/pneumatics)

## Regenerative Desiccant Dryers

## Air Preparation Products Dryers

### Optional features

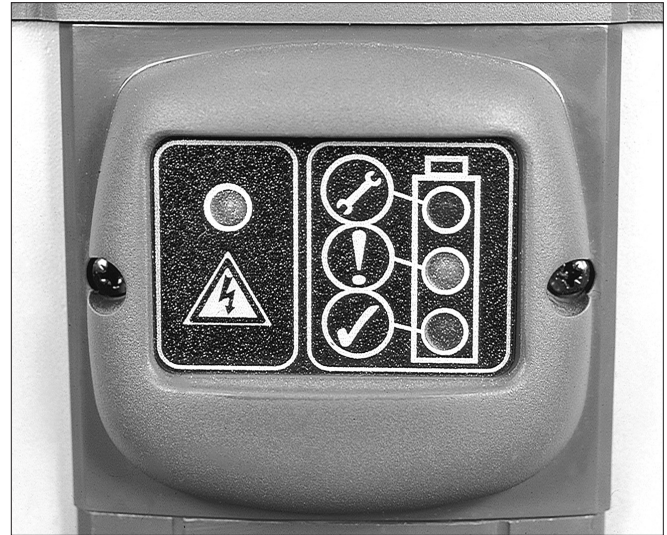
- For totally quiet operation, the regeneration exhaust air can be positively piped away.
- Remote indication provides a warning of the dryers need for servicing. (Audible alarm not included)
- Wall mounting kit for vertically securing the dryer to a wall or canopy.



### Service indication sequence & alarm

During operation, The Regenerative Desiccant Dryers Power On (yellow) LED and Check (Green) LED indicators will illuminate, remaining in this configuration for 11500 hours. At this time, the Warning (Yellow) LED will illuminate and cancel the Check (Green) LED. This signals the user to order service replacement components at the optimum time.

500 hours later (a total of 12000 hours from initial start up) the Service (Red) LED will illuminate and cancel the Warning (Yellow) LED, the Audible Alarm housed inside the display will sound intermittently (every 6 seconds) drawing attention to the need for a service.



- A 45° tilt, wall mounting kit is also available for vertically securing the dryer to a wall, canopy or inside a customers product where access to the top of the dryer is restricted.
- In conditions of limited access, the electronic control box (base) can be detached and relocated remotely from the dryer.



- Electronic control box can be remotely located.

Refrigeration

Disposable

Desiccant

Regenerative  
Desiccant

Heatless  
Desiccant

Dryers

M

Heatless Desiccant Dryers

PTW Heatless Desiccant Air Dryer

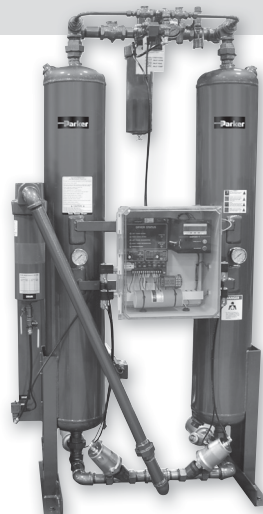
Parker PTW Series Heatless Desiccant Air Dryers remove water vapor from compressed air through a process known as pressure swing adsorption. Pressure dewpoints ranging from -40°F (-40°C) standard to -100°F (-70°C) optional are attained by directing the flow of saturated compressed air over a bed of desiccant.

Features

- Pre-filter and after filters included with dryers
- Solid state controller
- CycleLoc™ demand control
- Variable cycle control (models PTW75 - PTW800 scfm)
- Purge Flow indicator
- Purge flow regulator (models PTW75 - PTW800 scfm)
- Repressurization circuit (models PTW75 - PTW800 scfm)
- Control air filter (models PTW75 - PTW800 scfm)
- Safety valves
- Pressure equalization
- 150 psig design standard
- Moisture indicator (models PTW75 - PTW800 scfm)

Options

- DDS Light / DDS (dewpoint dependent switching)



Operating information

Inlet or ambient air temperature:	50°F to 120°F (10°C to 49°C) maximum
Operating pressure:	80 psig (5.5 bar) minimum
Working pressure:	150 psig (10.5 bar) maximum
Pressure drop at rated flow:	less than 5 PSI (0.34 bar)

Heatless Desiccant Air Dryers

Part number	Capacity SCFM @ 100 psig (m³/min @ 6.9 bar)	Approximate purge scfm (Nm³/min)	Primary voltage	Port size (NPT)	Filtration package included with dryer		
					Pre-filter (5µ)	Pre-filter (.01µ)	After-filter (1µ)
PTW25*	25 (.70)	4 (.11)	120V/1ph/60Hz	1/2"	P32FB94ESAN	P32FB94DSAN	P32FB94QSAN
PTW40*	42 (1.19)	6 (.19)	120V/1ph/60Hz	1/2"	P33FA94ESAN	P33FA94DSAN	P33FA94QSAN
PTW55*	60 (1.70)	9 (.25)	120V/1ph/60Hz	3/4"	P33FA94ESAN	P33FA94DSAN	P33FA94QSAN
PTW75*	75 (2.13)	11 (.31)	120V/1ph/60Hz	3/4"	P3NFA96GSA †	P3NFA96DSA	P3NFA96GSA †
PTW100*	107 (3.03)	16 (.45)	120V/1ph/60Hz	1"	P3NFA98GSA †	P3NFA98DSA	P3NFA98GSA †
PTW130*	135 (3.82)	20 (.56)	120V/1ph/60Hz	1"	P3NFA98GSA †	P3NFA98DSA	P3NFA98GSA †
PTW200*	200 (5.66)	30 (.84)	120V/1ph/60Hz	1-1/2"	35F77BAP	35F77EAP	35F77HAP
PTW250*	250 (7.07)	38 (1.07)	120V/1ph/60Hz	1-1/2"	35F77BAP	35F77EAP	35F77HAP
PTW300*	300 (8.49)	45 (1.27)	120V/1ph/60Hz	1-1/2"	35F77BAP	35F77EAP	35F77HAP
PTW400*	400 (11.32)	60 (1.69)	120V/1ph/60Hz	2"	35F87BAP	35F87EAP	35F87HAP
PTW500*	500 (14.44)	77 (2.18)	120V/1ph/60Hz	2"	35F87BAP	35F87EAP	35F87HAP
PTW600*	600 (18.40)	98 (2.77)	120V/1ph/60Hz	2"	35F87BAP	35F87EAP	35F87HAP
PTW800*	800 (22.65)	120 (3.39)	120V/1ph/60Hz	2"	35F87BAP	35F87EAP	35F87HAP

\* Options: Dewpoint dependent switching (DDS).

DDS Light includes: energy saving purge cycle control with high humidity alarm and indicator light. When ordering use -DL as suffix.

DDS includes: energy saving purge cycle control with high humidity alarm and digital dewpoint display. When ordering use -DS as suffix.

† 40 micron without DPI.

☐ Most popular.



For inventory, lead time, and kit lookup, visit [www.pdnplu.com](http://www.pdnplu.com)

M13

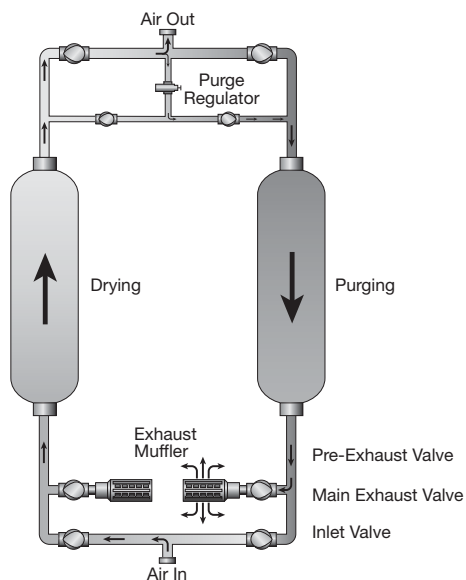
Parker Hannifin Corporation  
Pneumatic Division  
Richland, Michigan  
[www.parker.com/pneumatics](http://www.parker.com/pneumatics)

Refrigeration  
Disposable  
Desiccant  
Regenerative Desiccant  
Heatless Desiccant  
Dryers  
M

## Heatless Desiccant Dryers

Parker PTW Series Heatless Desiccant Air Dryers remove water vapor from compressed air through a process known as Pressure Swing Adsorption. Pressure dewpoints ranging from -40°F (-40°C) standard to -100°F (-70°C) optional are attained by directing the flow of saturated compressed air over a bed of desiccant.

This physically tough and chemically inert material is contained in two separate but identical pressure vessels commonly referred to as “dual” or “twin” towers.



As the saturated compressed air flows up through the “on line” tower, its moisture content adheres to the surface of the desiccant. The dry compressed air is then discharged from the chamber into the distribution system.

A solid state controller automatically cycles the flow of compressed air between the towers, while the “on line” tower is drying, the “off line” tower is regenerating. Regeneration, sometimes referred to as purging, is the process by which moisture accumulated during the “on line” cycle is stripped away during the “off line” cycle. As low pressure dry purge air flows gently through the regenerating bed, it attracts the moisture that had accumulated on the surface of the desiccant during the drying cycle and exhausts it to the atmosphere.

To protect the desiccant bed from excess liquid, all Parker PTW Series Heatless Air Dryers are designed to work with the natural pull of gravity. By directing the saturated air into the bottom of the “on line” tower and flowing up through the bed, liquid condensate caused by system upset, is kept away from the desiccant and remains at the bottom of the tower where it can be easily exhausted during the regeneration cycle. Counter flow purging ensures optimum performance by keeping the driest desiccant at the discharge end of the dryer.

Moisture load, velocity, cycle time and contact time determine tower size and the amount of desiccant. To ensure design dewpoint, each tower is carefully sized to allow a minimum of 5.5 seconds of contact. To prevent desiccant dusting and bed fluidization, air flow velocities are kept below 50 feet per minute. The dryer can cycle for years without changing the desiccant.

## Air Preparation Products Dryers

Heatless dryers in general are the most reliable and least expensive of all desiccant type dryers. Parker PTW Series Heatless Desiccant Air Dryers are the most energy efficient thanks to standard features like, “Variable Cycle control”, “CycleLoc™” and purge flow regulator.

### Standard equipment

- Electric 120V/1PH/60Hz
- Solid state controller
- Centrifugal compressor surge protection (Models PTW75 - PTW800 scfm)
- System sequence annunciator
- CycleLoc™ demand control
- Variable cycle control (Models PTW75 - PTW800 scfm)
- Purge flow indicator
- Purge flow regulator (Models PTW75 - PTW800 scfm)
- Repressurization circuit (Models PTW75 - PTW800 scfm)
- ASME coded pressure vessels (Models PTW100 - PTW800 scfm)
- Separate tower pressure gauges
- Separate fill / drain ports
- NEMA 4 controls
- Stainless steel diffuser screen
- Pressure equalization
- 150 psig design standard
- Structural steel base
- Moisture indicator (PTW25 - PTW800 scfm)
- Pre and post filtration

### Optional equipment

- Dewpoint Dependent Switching (DDS)
- 4-20 mA output
- All NEMA classifications
- Pressure to 1,000 psig (69 bar)
- High humidity alarm
- Fail to switch alarm
- Electronic drain systems
- -80°F to -100°F (-70°C to -62°C) dewpoints
- Contacts for remote alarms

Refrigeration

Disposable

Desiccant

Regenerative  
DesiccantHeatless  
Desiccant

Dryers

M



For inventory, lead times, and kit lookup, visit [www.pdnplu.com](http://www.pdnplu.com)

M14

**Parker Hannifin Corporation**  
Pneumatic Division  
Richland, Michigan  
[www.parker.com/pneumatics](http://www.parker.com/pneumatics)

**Variable cycle control**

Additional energy savings can be achieved by adjusting the amount of purge to the actual moisture load. When demand is expected to be less than maximum, Parker's Variable Cycle Control provides a means to adjust the purge cycle time to reduce the total amount of purge used for regeneration. As a result of less frequent cycling, the desiccant will last longer and the switching valves will require less maintenance. The Variable Cycle Control incorporates a short cycle position that can be employed to provide dewpoints as low as -80°F (-60°C).

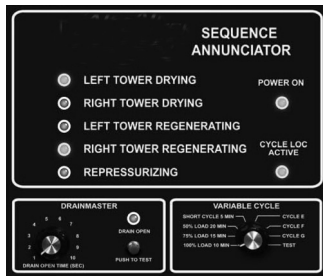
**Surge protection**

To accommodate the unique requirements of centrifugal compressors, all Parker desiccant dryers are now programmed with a special anti-surge control. A sequenced timing circuit eliminates potential compressor surge by preventing momentary flow restrictions from occurring at tower switch over.

Total dryer operation is managed by a NEMA 4 automatic control center. The solid state module controls all dryer functions including the Sequence Annunciator.

**Sequence annunciator**

Parker's Sequence Annunciator is a solid state visual display panel that shows exactly what is happening in the dryer. The panel lights signal which tower is "on line" drying, and whether the "off line" tower is purging, repressurizing or in "CycleLoc™". It will also annunciate optional equipment operation and function alarms. The panel is integral with the NEMA 4 Master Control and is conveniently mounted for easy monitoring.



**Dewpoint Dependent Switching (Optional)**

Compressed air systems are rarely constant and the dryer regeneration cycle frequency is dependent upon the actual inlet flow, pressure and temperature. Operation under inlet conditions where there is lower than design flow and temperature and or higher pressure, will result in less regeneration cycles and a maximum in the cost of utilities.

Dewpoint Dependent Switching (DDS) provides a precision demand cycle control which terminates the adsorption (drying). This results in the full adsorptive capacity of the desiccant bed being utilized prior to switch over and regeneration.

DDS is built into the dryer control system, with a precision hygrometer producing a continuous display of the outlet dewpoint. The preset contacts of the instruments are utilized to initiate tower changeover.

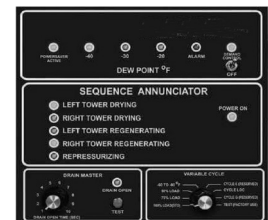
**Dewpoint Dependent Switching (DDS)**

**An Overview**

The adsorption capacity of the desiccant within the dryer is essentially constant whereas the moisture loading and the air flow through the dryer are continuously varying as ambient and plant conditions change. In order to maintain the specified air quality downstream of the dryer, it has to be sized for the worst case conditions, namely the lowest pressure, highest flow and highest inlet temperature. These conditions may only occur for a small part of the service life of the dryer, for example, the highest inlet temperatures may only be present during the summer months. This means that the moisture loading on the desiccant beds is below the dryer's capacity for much of its service life (i.e. quiet periods in between shifts usually have lower air supply requirements). To gain access to this dynamic adsorption capacity, a moisture sensor is fitted which continually monitors the downstream dewpoint. DDS interrupts the normal sequence of the controller, which is only permitted to change over when the desiccant has adsorbed moisture to its capacity, effectively elongating the drying cycle. However, as regeneration has been optimized for a fully laden desiccant bed, this remains of constant duration resulting in a period of zero energy consumption (i.e. purging is discontinued). In this way, energy savings are obtained while maintaining a constant supply of clean dry air to your plant.



**DDS**



**DDS Light**

Refrigeration
Disposable
Desiccant
Regenerative Desiccant
Heatless Desiccant
Dryers
<b>M</b>



For inventory, lead time, and kit lookup, visit [www.pdnplu.com](http://www.pdnplu.com)

M15

**Parker Hannifin Corporation**  
Pneumatic Division  
Richland, Michigan  
[www.parker.com/pneumatics](http://www.parker.com/pneumatics)

**Flow correction factors**

Capacities are based upon:

- Pressure drop at rated flow less than 5 psi (0.34 bar)
- Maximum inlet air or ambient air temperature 120°F (49°C)
- Maximum working pressure: 150 psig (10.5 bar g) standard units for high maximum working pressure are available
- Minimum operating pressure: 50 psig (3.5 bar g)

**Correction Factors**

To obtain drying capacity at new conditions: nominal capacity x CFT x CFP x CFD  
Nominal capacity = pre-selected dryer model rated flow for application.

**Temperature Correction Factor (CFT)**

Maximum inlet temperature	°F	80	85	90	95	100	105	110	115	120
	°C	27	29	32	35	38	41	43	46	49
	CFT	1.17	1.17	1.17	1.15	1.00	0.87	0.76	0.66	0.58

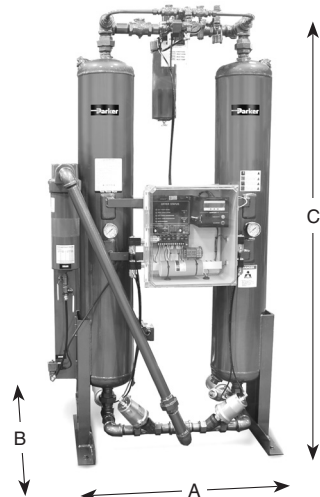
**Pressure Correction Factor (CFP)**

Minimum inlet pressure	psi g	80	85	90	95	100	105	110	115	120	125	130	135
	bar g	5.51	5.86	6.21	6.55	6.89	7.24	7.58	7.93	8.27	8.62	8.96	9.31
	CFP	0.83	0.87	0.91	0.96	1.00	1.04	1.09	1.13	1.17	1.22	1.26	1.31

**Dewpoint Correction Factor (CFD)**

Required dewpoint	PDP °F	-40	-100
	PDP °C	-40	-70
	CFD	1.00	1.43

**Heatless Desiccant Air Dryers**

	Part number	A (length)	B (width)	C (height)	Weight lbs. (kg)
	<b>PTW25*</b>	19 (483)	16 (406)	64 (1626)	156 (71)
	<b>PTW40*</b>	21 (533)	17 (432)	48 (1219)	190 (86)
	<b>PTW55*</b>	21 (533)	20 (508)	67 (1702)	230 (104)
	<b>PTW75*</b>	35 (889)	27 (686)	80 (2032)	384 (174)
	<b>PTW100*</b>	35 (889)	27 (686)	80 (2032)	468 (212)
	<b>PTW130*</b>	35 (899)	21 (533)	70 (1778)	496 (225)
	<b>PTW200*</b>	44 (1118)	28 (711)	78 (1981)	692 (314)
	<b>PTW250*</b>	44 (1118)	30 (762)	78 (1981)	776 (352)
	<b>PTW300*</b>	44 (1118)	30 (762)	78 (1981)	796 (361)
	<b>PTW400*</b>	74 (1880)	41 (1041)	84 (2134)	1626 (738)
	<b>PTW500*</b>	74 (1880)	41 (1041)	85 (2159)	1735 (787)
	<b>PTW600*</b>	74 (1880)	41 (1041)	86 (2184)	1740 (789)
	<b>PTW800*</b>	74 (1880)	41 (1041)	91 (2311)	2120 (962)

\* Options: Dewpoint dependent switching (DDS).

DDS Light includes: energy saving purge cycle control with high humidity alarm and indicator light. When ordering use -DL as suffix.

DDS includes: energy saving purge cycle control with high humidity alarm and digital dewpoint display. When ordering use -DS as suffix.

**Repair and Service Kits**

**Element kits**

	5µ	0.01µ	1.0µ
<b>P32</b>	<b>P32KA00ESE</b>	<b>P32KA00ESC</b>	<b>P32KA00ES9</b>
<b>P33</b>	<b>P33KA00ESE</b>	<b>P33KA00ESC</b>	<b>P33KA00ES9</b>
<b>P3NF</b>	<b>P3NKA00ESE</b>	<b>P3NKA00ESCB</b>	<b>P3NKA00ES9</b>
<b>35F</b>	<b>FRP-95-505</b>	<b>MTP-95-502</b>	<b>MSP-95-502</b>

 Most popular.



For inventory, lead times, and kit lookup, visit [www.pdnplu.com](http://www.pdnplu.com)

M16

**Parker Hannifin Corporation**  
Pneumatic Division  
Richland, Michigan  
[www.parker.com/pneumatics](http://www.parker.com/pneumatics)





**Air Preparation Products**

**Airline Accessories**

<a href="#">Drains</a>	N2-N4
<a href="#">Lockout Valves</a>	N5-N11
<a href="#">AirGuard Protection System</a>	N12-N13
<a href="#">Mufflers</a>	N14-N19
<a href="#">Ball Valve / Plug Valves</a>	N20-N23
<a href="#">Quick Couplings</a>	N24-N29
<a href="#">Hose Products</a>	N30-N36
<a href="#">Fittings</a>	N37-N67



For inventory, lead time, and kit lookup, visit [www.pdnplu.com](http://www.pdnplu.com)

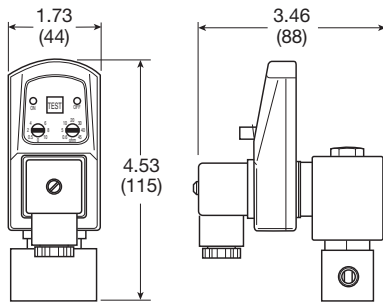
## Automatic Electrical Drain Valve – WDV3-G

The WDV3 Electrical Drain is designed to remove condensate from compressors, compressed air dryers and receivers up to any size, type or manufacturer.



### Benefits

- Does not air-lock during operation
- Compressed air systems up to any size
- The direct acting valve is serviceable
- Suitable for all types of compressors
- Test (micro-switch) feature
- High time cycle accuracy
- Large (4.5mm) valve orifice



### Operating information

Operating pressure:	230 psig (16 bar)
Ambient operating temperature:	34°F to 130°F (1.1°C to 54°C)
Voltages:	115VAC, 230/50-60Hz, 24VDC
Coil insulation:	Class H, 340°F (171.1°C)
Current rating:	4mA maximum
Timer –	
Open time	.5 to 10 sec., adjustable
Cycle time	.5 to 45 min., adjustable

### Material specifications

Valve body	Brass / stainless steel
Enclosure (IP65 / NEMA 4)	ABS plastic
Internal parts	Brass / stainless steel
Valve seals	FPM (Fluorocarbon)

### Automatic Electrical Drain Valve

Port size	Primary voltage	Weight (kg)	Model number
1/4	120VAC	1.8 (0.8 kg)	<b>WDV3-G12BL</b>
1/4	230VAC	1.8 (0.8 kg)	<b>WDV3-G22BL</b>
3/8	120VAC	1.8 (0.8 kg)	<b>WDV3-G13BL</b>
3/8	230VAC	1.8 (0.8 kg)	<b>WDV3-G23BL</b>
1/2	120VAC	1.8 (0.8 kg)	<b>WDV3-G14BL</b>
1/2	230VAC	1.8 (0.8 kg)	<b>WDV3-G24BL</b>
1/2	24VDC	1.8 (0.8 kg)	<b>WDV3-G34BL</b>

Drains  
Lockout Valves  
AirGuard  
Mufflers  
Ball Valve / Plug Valves  
Quick Couplings  
Hose Products  
Fittings



Airline Accessories



For inventory, lead times, and kit lookup, visit [www.pdnplu.com](http://www.pdnplu.com)

## ED Zero Air Loss Condensate Drains

Zero air loss condensate drains are designed for economical removal of unwanted water, oil emulsions, and other liquids. These drains will only open when liquid is present and will not allow any compressed air to escape from the system.



### Operating information

Maximum pressure:	232 psig (16 bar)
Ambient operating temperature:	35°F to 140°F (1.6°C to 60°C)
Voltages optional – NPT	115/50-60Hz, standard
BSPP ports	230/50-60Hz & 24VDC

### Zero Air Loss Condensate Drains

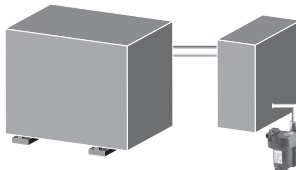
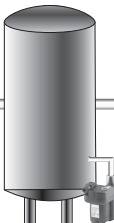

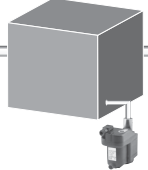

Port size (NPT)	Compressor aftercooler (scfm)*	Capacity refrigeration dryer (scfm)**	Filter (scfm)	Drain capacity per day (gal/liter)	Model number	Service kit
1 @ 3/8 (in), 1 @ 3/8 (out)	—	—	424	6 (22.7)	<b>ED3002N115-K</b>	<b>SKED3000N115</b>
1 @ 1/2 (in), 1 @ 3/8 (out)	141	282	1,413	13 (49.2)	<b>ED3004N115-K</b>	<b>SKED3000N115</b>
2 @ 1/2 (in), 1 @ 3/8 (out)	247	494	2,472	23 (87.1)	<b>ED3007N115-K</b>	<b>SKED3000N115</b>
2 @ 1/2 (in), 1 @ 3/8 (out)	1,059	2,119	10,594	100 (378.5)	<b>ED3030N115-K</b>	<b>SKED3000N115</b>
2 @ 1/2 (in), 1 @ 3/8 (out)	3,532	7,063	35,315	330 (1,249.2)	<b>ED3100N115-K</b>	<b>SKED3000N115</b>

\* Based on 100 PSI working pressure, air compressor inlet at 77°F (25°C) at 60% RH, air discharge temperature of 95°F (35°C) following the aftercooler, pressure dewpoint of 37°F (2.8°C) after the refrigerated dryer.

\*\* Condensate from aftercooler or refrigerated dryer to be drained upstream – only for residual oil content or small quantities of condensate.

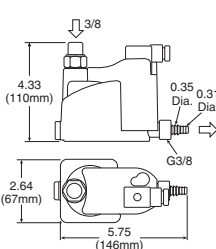
Note: A 6 ft. line cord will be included with each drain.

### Where Are Condensate Drains Used?

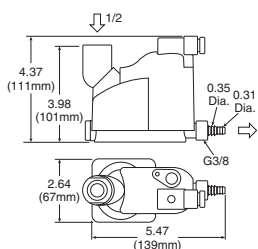
				
<b>Compressor with Aftercooler</b>	<b>Receiver Tank</b>	<b>Filter</b>	<b>Air Dryer</b>	<b>Drip Leg</b>
Removes the condensate that is collected after the air cools in the aftercooler	Removes the condensate that is collected when the air cools inside of the receiver tank	Removes the condensate that is collected in the filter bowl	Removes the condensate that is collected in the air dryer	Point-of-use applications: removes the condensate from compressed air pipes in a plant

### Dimensions

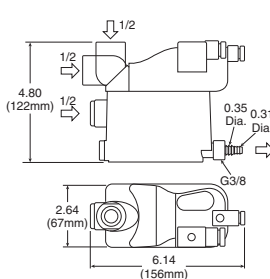
**ED3002N115-K**



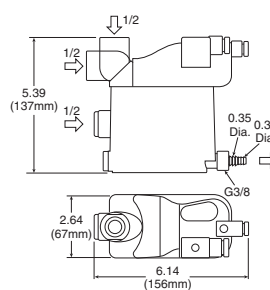
**ED3004N115-K**



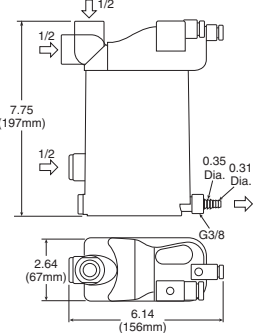
**ED3007N115-K**



**ED3030N115-K**



**ED3100N115-K**



 Most popular.



For inventory, lead time, and kit lookup, visit [www.pdnplu.com](http://www.pdnplu.com)

Drain cocks are manufactured in both external and internal seats. Hand tightening provides a metal - to - metal seal.

**Drain Cock Nomenclature**

**Example:**

DC 604 - 2

Drain Cock \_\_\_\_\_|\_\_\_\_\_|\_\_\_\_\_

External Seat \_\_\_\_\_|\_\_\_\_\_|\_\_\_\_\_

1/8" Pipe Thread \_\_\_\_\_|\_\_\_\_\_|\_\_\_\_\_



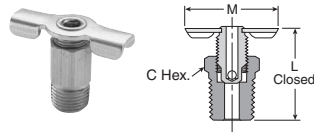
**Operating information**

Operating pressure: 150 psig (150 bar)

Temperature ranges:  
 Internal seal -65°F to 250°F (-53.9°C to 12.1°C)  
 External seal -25°F to 250°F (-31.7°C to 12.1°C)

Operating fluid: Air, water, gas and certain other fluids

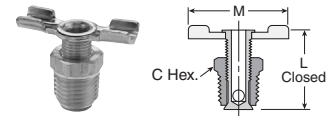
Note: Lubricant may not be compatible with some fluids, contact factory for special fluid requirements.



**Internal Seal - Drain Cock DC602**

Temperature Range: -65° to 250°F

Part number	Pipe thread	C Hex	L	M
DC602-2	1/8	13/32	.92	1.25
DC602-4	1/4	9/16	.94	1.25



**External Seal - Drain Cock DC604**

Temperature Range: -25° to 250°F

Part number	Pipe thread	C Hex	L	M
DC604-2*	1/8	7/16	.85	1.25
DC604-4	1/4	9/16	1.00	1.38
DC604-6*	3/8	11/16	1.22	1.68

\*When assembled handle wings are down facing

- Drains
- Lockout Valves
- AirGuard
- Mufflers
- Ball Valve / Plug Valves
- Quick Couplings
- Hose Products
- Fittings
- N**
- Airline Accessories



For inventory, lead times, and kit lookup, visit [www.pdnplu.com](http://www.pdnplu.com)

## LV / LVSS Series

Lockout valves are installed in pneumatic drop legs, or individual pneumatic control lines. In accordance with OSHA procedures, lockout valves are used during maintenance and service procedures of pneumatically (air) operated equipment.

- Used for compliance with OSHA 29 CFR part 1910
- 1/4" to 2" pipe sizes. NPT or BSPP
- Yellow cast aluminum body with red handle or stainless steel (NACE MR0175 / ISO 15156)
- Inline or surface mountable
- Built in port for pressure verification to meet ANSI B11 and PMMI B155 requirements
- Fluorocarbon slipper seals for easy shifting, even after long periods of inactivity

### Material specifications

Description	LV	LVSS
Body:	Cast aluminum alloy	Stainless steel
Handle:	Plastic	Stainless steel
Spool:	Aluminum	Stainless steel
Seals:	Carboxylated nitrile	Fluorocarbon
Detent spring:	Stainless steel	Stainless steel
Grease:	Magnalube G <sup>†</sup>	Magnalube G <sup>†</sup>

<sup>†</sup> Trademark Magnalube



### Operating information

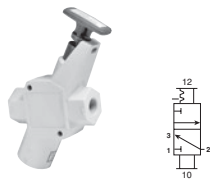
Operating pressure:	LV	LVSS
Compact	15 to 145 PSIG	–
Standard	15 to 300 PSIG	15 to 300 PSIG
High flow	15 to 300 PSIG	–
Operating temperature:	40°F to 175°F	30°F to 175°F
Operating media:	Clean, dry, compressed air (5 micron)	

### Compact



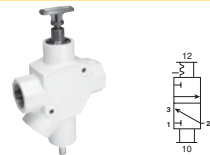
Port in/out	Port exhaust	SCFM in/out	SCFM exhaust	Wt (lb)	Part number *
1/4	3/8	41.8	40.7	0.9	<b>LV2N3B</b>
3/8	3/8	60.7	60.7	0.9	<b>LV3N3B</b>

### Standard



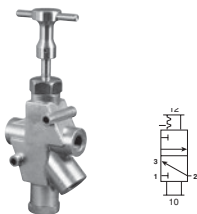
Port in/out	Port exhaust	SCFM in/out	SCFM exhaust	Wt (lb)	Part number *
3/8	3/4	107.7	81.1	2.0	<b>LV3N6B</b>
1/2	3/4	161.4	90.9	2.0	<b>LV4N6B</b>
3/4	3/4	187.7	93.2	2.0	<b>LV6N6B</b>
3/4	1-1/4	297.7	204	3.2	<b>LV6NAB</b>
1	1-1/4	375	216	3.2	<b>LV8NAB</b>
1-1/4	1-1/4	436.4	221	3.2	<b>LVANAB</b>

### High Flow



Port in/out	Port exhaust	SCFM in/out	SCFM exhaust	Wt (lb)	Part number *
1-1/2	2	761.4	1156	8.2	<b>LVBNCB</b>
2	2	918.2	1186	8.2	<b>LVCNCB</b>

### Stainless Steel



Port in/out	Port exhaust	SCFM in/out	SCFM exhaust	Wt (lb)	Part number *
1/4	1/4	48.6	47.2	3.8	<b>LV2N2BSS</b>
3/8	1/2	131.6	142	6.0	<b>LV3N4BSS</b>
1/2	1/2	131.6	142	6.0	<b>LV4N4BSS</b>
3/4	1	325	386	13	<b>LV6N8BSS</b>
1	1	325	386	13	<b>LV8N8BSS</b>
1-1/2	2	889	1023	35	<b>LVBNCBSS</b>
2	2	889	1023	35	<b>LVCNCBSS</b>

NOTE: Exhaust flow rates calculated using inlet pressure 100 psig (6.7 bar), pressure drop 5 psi (0.34 bar), air temp 68°F (20°C), and 36% relative humidity.

\* For BSPP ports, change 4th digit from "N" to "B"

Most popular.



For inventory, lead time, and kit lookup, visit [www.pdnplu.com](http://www.pdnplu.com)

## EZ Series

The EZ series meets all the same standards as the LV series with the added feature of a soft start when opened. There are still 2 detented positions for the handle (push close, pull to open), but when pulled open, an adjustable needle valve controls the rate of pressure build-up. This can protect equipment during start up after maintenance. The EZ is distinguishable from the LV series by the blue dot on the label.

### Features

- Combines lockout and soft-start functions in a single unit
- Used in systems for compliance with OSHA standard 29 CFR part 1910
- 3/8 Inch to 1-1/4 inch pipe sizes
- Cv's from 3.7 to 13.7
- 3/4 and 1-1/4 inch: exhaust ports available
- Exhaust port threaded for installation of silencer or line for remote exhausting
- Inline or surface mountable
- Yellow cast aluminum body with red handle. Blue dot on body indicates EZ Series valve
- Fluorocarbon slipper seals for easy shifting, even after long periods of inactivity



3/4" Exhaust Shown

### Operating information

Operating pressure:	15 to 300 PSIG
Standard	
Operating temperature:	40°F to 175°F
Operating media:	Clean, dry, compressed air (5 micron)

### Material specifications

#### Description

Body:	Cast aluminum alloy
Handle:	Plastic
Spool:	Aluminum
Seals:	Carboxylated nitrile
Detent spring:	Stainless steel
Grease:	Magnalube G <sup>†</sup>

<sup>†</sup> Trademark Magnalube

### EZ Series

	Port in/out	Port exhaust	SCFM in/out	SCFM exhaust	Wt (lb)	Part number *
	3/8	3/4	136.4	181	2.1	<b>EZ03NB6</b>
	1/2	3/4	161.4	189	2.1	<b>EZ04NB6</b>
	3/4	3/4	181.9	216	2.1	<b>EZ06NB6</b>
	3/4	1-1/4	272.7	248	3.2	<b>EZ06NBA</b>
	1	1-1/4	311.4	273	3.2	<b>EZ08NBA</b>
	1-1/4	1-1/4	368.2	291	3.2	<b>EZ0ANBA</b>

NOTE: Exhaust flow rates calculated using inlet pressure 100 psig (6.7 bar), pressure drop 5 psi (0.34 bar), air temp 68°F (20°C), and 36% relative humidity.

\* For BSPP ports, change 5th digit from "N" to "B"

Most popular.



For inventory, lead times, and kit lookup, visit [www.pdnplu.com](http://www.pdnplu.com)

Drains  
 Lockout Valves  
 AirGuard  
 Mufflers  
 Ball Valve / Plug Valves  
 Quick Couplings  
 Hose Products  
 Fittings  
 N  
 Airline Accessories

## Lockout Valves

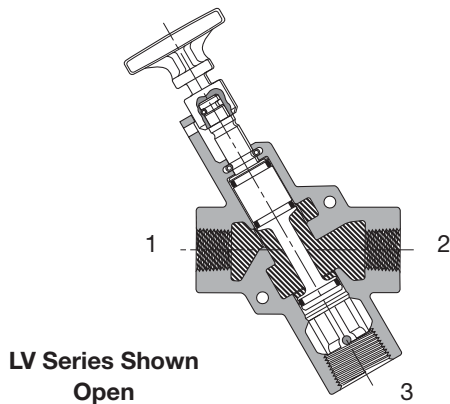
### Applications

Lockout valves are installed in pneumatic drop legs, or individual pneumatic control lines (see Figure 1). In accordance with OSHA procedures, EZ valves are used during maintenance and service procedures of pneumatically (air) operated equipment. Prior to servicing, the red handle is pressed inward, blocking pressure and relieving all downstream air pressure. A padlock is installed through the locking hasp, preventing accidental actuation during the maintenance procedure. Following maintenance, the padlock is removed and the red handle is pulled outward, gradually returning air pressure to the system. (For complete Lockout / Tagout procedures, consult OSHA Standard 29 CFR Part 1910 in U.S. Federal Register/Vol. 54 No. 169, Friday, September 1, 1989 / Page 36644.)

### LV / LVSS Operation

#### Normal Machine Operation – Valve Open

With the handle pulled outward. Inlet Port 1 is open to outlet Port 2. Exhaust Port 3 is blocked.



## Air Preparation Products Accessories

### Mounting

Valves can be inline mounted or surface mounted using the two mounting holes provided in the valve body. Mount valves in plain view with the handle oriented for accessibility.

### Placement of Lockout Device

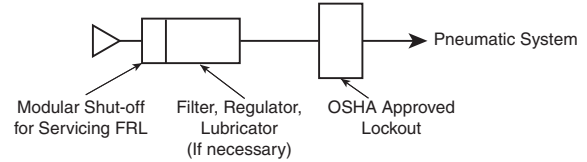
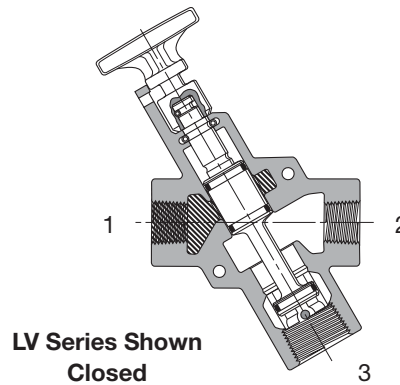


Figure 1.

#### Lockout Operation – Valve Closed

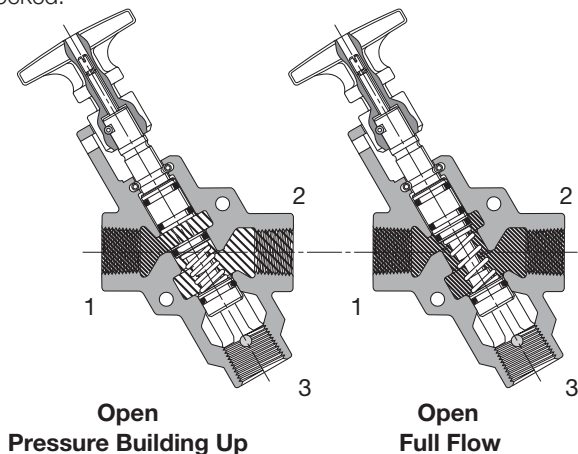
With the handle pushed inward. Inlet Port 1 is blocked. Outlet Port 2 is open to Exhaust Port 3.



### EZ Operation

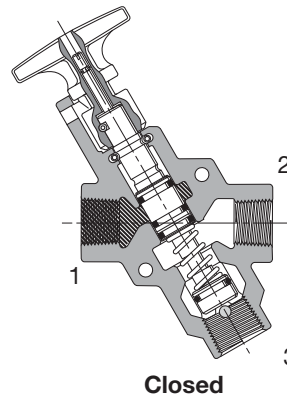
#### Normal Machine Operation – Valve Open

When the red handle is pulled outward, the adjustable needle valve (accessed through the top of the handle) setting determines the rate of pressure buildup. When downstream pressure reaches the full flow described in the specifications below, Inlet Port 1 is open to outlet Port 2. Exhaust Port 3 is blocked.



#### Lockout Operation – Valve Closed

When the red handle is pushed inward, the Inlet Port 1 is blocked. Downstream air is exhausted through Exhaust Port 3.



For inventory, lead time, and kit lookup, visit [www.pdnplu.com](http://www.pdnplu.com)

**Lockout Valves**

**Corrosion resistant mufflers for harsh environments**



Port size	Construction	Threads	Dimensions In. (mm)		Part number
			Width	Length	
1/4	Stainless steel	Male, NPT	0.56 (14.2)	1.75 (44.5)	<b>5500A2004</b>
1/2	Stainless steel	Male, NPT	0.87 (22.1)	2.75 (69.7)	<b>5500A4004</b>
1	Stainless steel	Male, NPT	1.31 (33.3)	3.87 (98.3)	<b>5500B6004</b>
2	Nickel plated	Male, NPT	2.37 (60.2)	5.50 (139.7)	<b>5500A9004*</b>

\* Nickel plated

**High Flow Silencers**



Part number *	ES25MC	ES37MC	ES50MC	ES75MC	ES100MC	ES125MC	ES150MC	ES200MC
Pipe size	1/4	3/8	1/2	3/4	1	1-1/4	1-1/2	2
Flow (scfm)	129	219	549	893	1013	1486	1580	1580
Hex In. (mm)	0.63 (16)	1.00 (25)	1.00 (25)	1.62 (41)	1.62 (41)	—	—	2.99 (76)
Length In. (mm)	1.85 (47)	3.31 (84)	3.31 (84)	4.56 (116)	4.56 (116)	5.69 (145)	5.69 (145)	7.68 (195)

\* NPT ports standard, for BSPT ports, add a "B" after the "S"

**Pop-up Pressure Indicator**



**Brass** – Part # **988A30** – Can be used on all LV or EZ series to provide visual verification of line exhaust



**Stainless** – Part# **1155H30** – Can be used on SS LV series to provide visual verification of line exhaust

**Pressure Switch**



- Part # **PPS1-2C3-RHM** (DIN 9.4mm connector)
- Part # **PPS1-2C3-RWL** (18" leads)
- Signal verification of line exhaust
- Field adjustable set point

Drains
Lockout Valves
AirGuard
Mufflers
Ball Valve / Plug Valves
Quick Couplings
Hose Products
Fittings
<b>N</b>
Airline Accessories

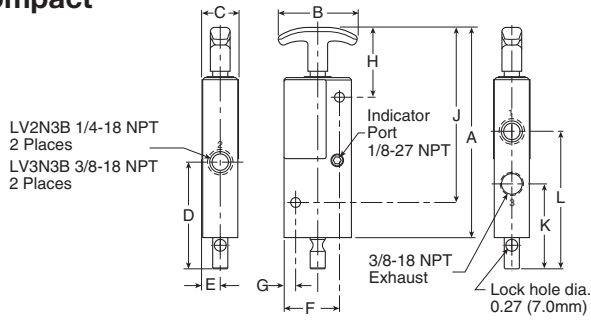


For inventory, lead times, and kit lookup, visit [www.pdnplu.com](http://www.pdnplu.com)



**LZ Series, Exhaust Port - Compact, Standard, High Flow**

**Compact**

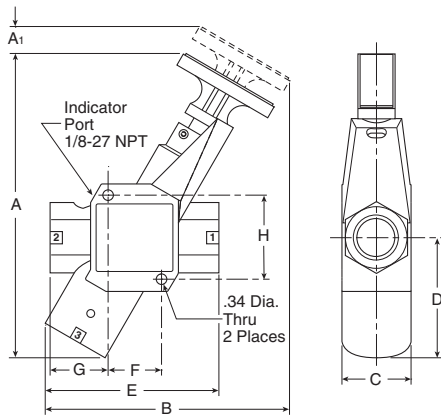


**Compact LV Series, 3/8" Exhaust Port Dimensions**

A	B	C	D	E	F
6.50 (165)	2.25 (57)	1.05 (27)	3.04 (77)	.51 (13)	1.58 (40)
G	H	J	K	L	
.33 (8)	1.99 (51)	4.99 (127)	2.42 (62)	3.92 (100)	

Inches (mm)

**Standard**



**Compact LV Series, 3/4" Exhaust Port Dimensions**

A	A1	B	C	D	E
8.32 (211)	0.64 (16)	6.60 (168)	2.00 (51)	3.06 (78)	4.24 (108)
F	G	H			
1.32 (111)	1.56 (40)	2.21 (56)			

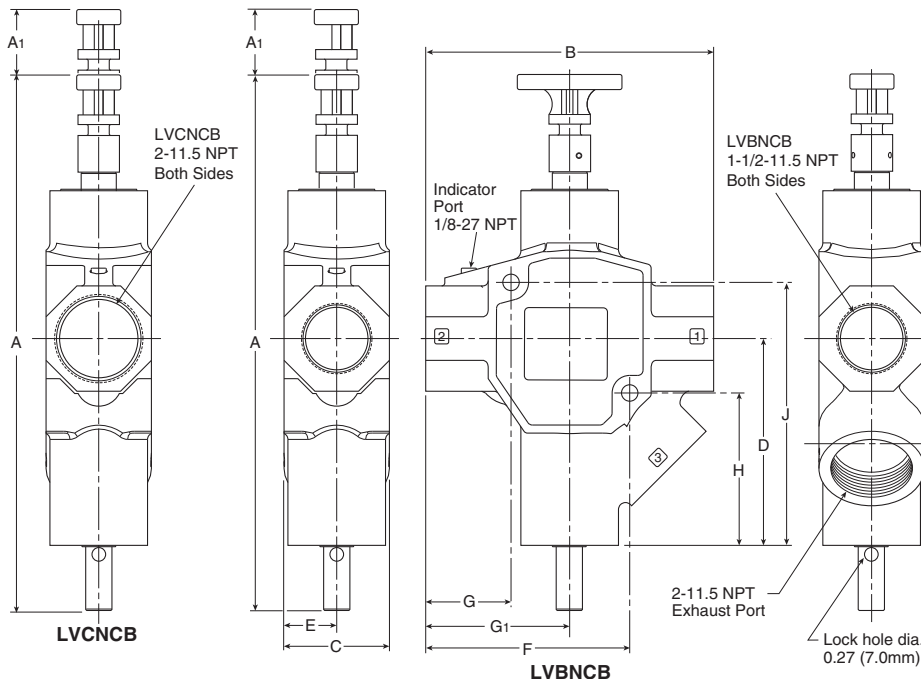
Inches (mm)

**Compact LV Series, 1-1/4" Exhaust Port Dimensions**

A	A1	B	C	D	E
9.91 (252)	0.85 (22)	7.95 (202)	2.25 (57)	3.91 (99)	5.65 (144)
F	G	H			
1.74 (44)	1.89 (48)	2.74 (70)			

Inches (mm)

**High Flow**



**High Flow LV Series,  
 2" Exhaust Port Dimensions**

A	A1	B
14.82 (376)	1.87 (47)	8.20 (208)
C	D	E
3.00 (76)	5.89 (150)	1.50 (38)
F	G	G1
5.81 (148)	2.43 (62)	4.10 (104)
H	J	
4.34 (110)	7.49 (190)	

Inches (mm)

Drains

Lockout  
 Valves

AirGuard

Mufflers

Ball Valve /  
 Plug Valves

Quick  
 Couplings

Hose  
 Products

Fittings

**N**

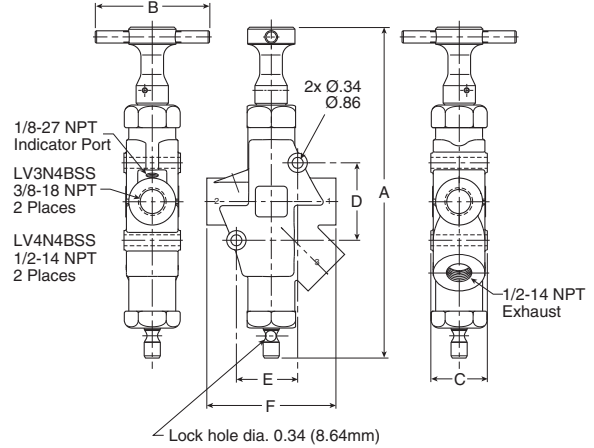
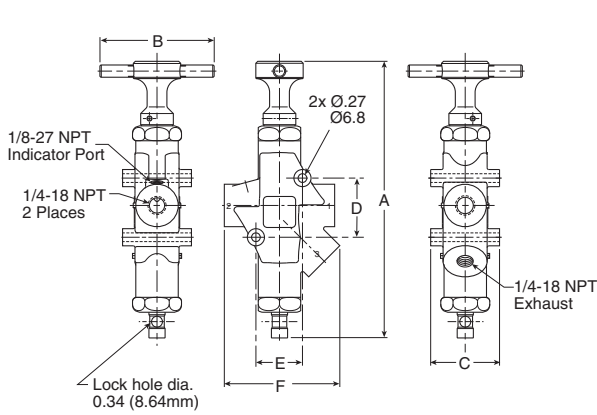
Airline  
 Accessories



For inventory, lead time, and kit  
 lookup, visit [www.pdnplu.com](http://www.pdnplu.com)

**LZ Series, Exhaust Port - Compact, Standard, High Flow**

**Stainless Steel**



**Stainless Steel LV Series, 1/4" Exhaust Port Dimensions**

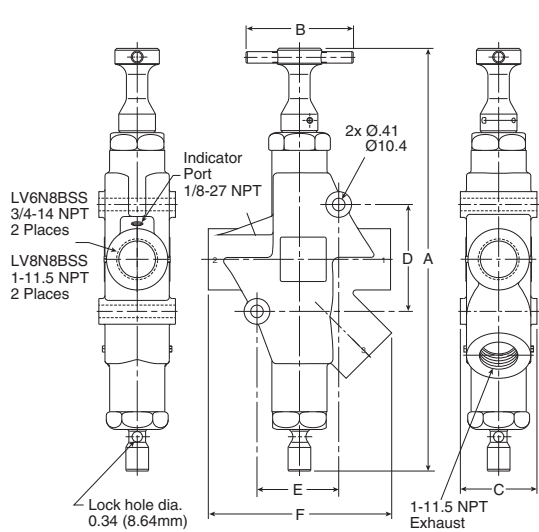
A	B	C	D	E	F
8.47 (215)	3.50 (89)	2.11 (54)	1.81 (46)	1.43 (36)	3.54 (90)

Inches (mm)

**Stainless Steel LV Series, 1/2" Exhaust Port Dimensions**

A	B	C	D	E	F
10.24 (260)	3.50 (89)	1.75 (45)	2.40 (61)	1.90 (48)	4.00 (102)

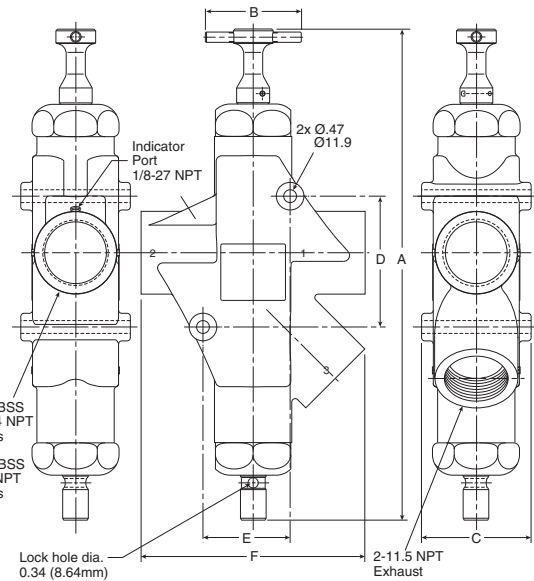
Inches (mm)



**Stainless Steel LV Series, 1" Exhaust Port Dimensions**

A	B	C	D	E	F
13.80 (351)	3.50 (89)	2.50 (64)	3.49 (89)	2.67 (68)	5.99 (152)

Inches (mm)



**Stainless Steel LV Series, 2" Exhaust Port Dimensions**

A	B	C	D	E	F
17.92 (455)	3.50 (89)	4.00 (102)	4.77 (121)	3.18 (81)	8.16 (207)

Inches (mm)

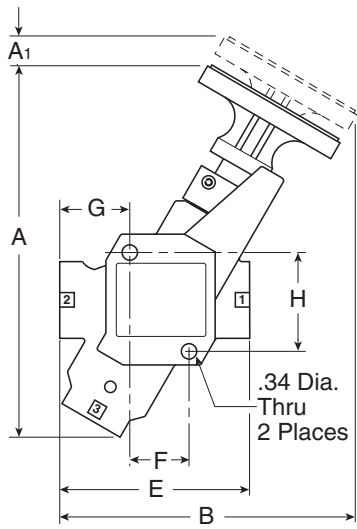
Drains  
 Lockout Valves  
 AirGuard  
 Mufflers  
 Ball Valve / Plug Valves  
 Quick Couplings  
 Hose Products  
 Fittings  
**N**  
 Airline Accessories



For inventory, lead times, and kit lookup, visit [www.pdnplu.com](http://www.pdnplu.com)

N10

**EZ Series, Exhaust Port - Standard Flow**



**EZ 3/4" Exhaust Port Dimensions**

A	A1	B	C	D
8.32 (211)	0.64 (16)	6.60 (168)	2.00 (51)	3.06 (78)

E	F	G	H
4.24 (108)	1.32 (111)	1.56 (40)	2.21 (56)

Inches (mm)

**EZ 1-1/4" Exhaust Port Dimensions**

A	A1	B	C	D
9.91 (252)	0.85 (22)	7.95 (202)	2.25 (57)	3.91 (99)

E	F	G	H
5.65 (144)	1.74 (44)	1.89 (48)	2.74 (70)

Inches (mm)

Drains

Lockout  
Valves

AirGuard

Mufflers

Ball Valve /  
Plug Valves

Quick  
Couplings

Hose  
Products

Fittings

**N**

Airline  
Accessories



For inventory, lead time, and kit lookup, visit [www.pdnplu.com](http://www.pdnplu.com)

N11

**Parker Hannifin Corporation**  
 Pneumatic Division  
 Richland, Michigan  
[www.parker.com/pneumatics](http://www.parker.com/pneumatics)

**AirGuard Protection System**



**Product Features:**

- **Maintenance Friendly**  
Repair possible while plant is still operating
- **Economic**  
Competitive pricing
- **Complies with EU Standard**  
EN 983 - § 5.3.4.3.2
- **Reliable and Tamperproof**  
No adjustment necessary
- **Complies with ISO Standard**  
4414 - § 5.4.5.11.1
- **Complies with MSHA Regulation**  
30CFR 56.13021, 57.13021 and 57.1730
- **Lightweight**  
Compact size
- Compatible with all Pneumatic Systems
- Can be used as a Flow Blocker
- **TUV Approval**  
No. 01-02-0145
- **EU Registered Utility**  
Model No. 0025 73 525
- **Complies with OSHA Regulation Standard**  
29CFR 1926.302 (Partial)

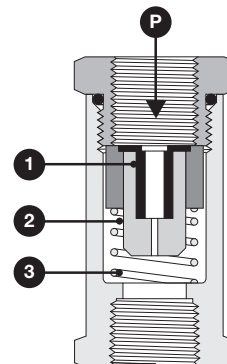
**Protect your most important assets: your employees and their equipment!**

The AirGuard offers simple but efficient protection of a broken compressed-air hose. The air supply is immediately shut off by the AirGuard, should the volume of air exceed a set value. This “value” is factory preset and is set to allow normal air consumption when using air tools.

Should the air consumption exceeds the set value, e.g. the air line is severed, then the internal piston instantly shuts off the main flow. An integral bleed hole allows some air to flow though. This enables the line pressure to automatically reset the AirGuard once the main line break is repaired.

**Function:**

(P) is the inlet. Air passes the piston (1) and continues through the seat (3). The air flow, passing the piston, is slowed down by means of length wise grooves on the outer side of the piston. If the flow is too high, the air cannot pass the piston quickly enough, and the piston is forced against the spring (2) and towards the seat. The maximum flow is shown in the graph. If the value indicated is exceeded e.g. if the hose suddenly breaks - the air supply is automatically shut of. An integral bleed hole allows some air to flow though. This enables the line pressure to automatically reset the AirGuard once the main line break is repaired.



Drains

Lockout Valves

AirGuard

Mufflers

Ball Valve / Plug Valves

Quick Couplings

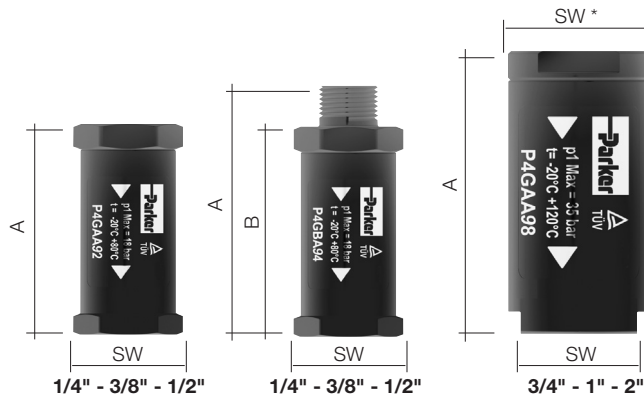
Hose Products

Fittings

**N** Airline Accessories



For inventory, lead times, and kit lookup, visit [www.pdnplu.com](http://www.pdnplu.com)



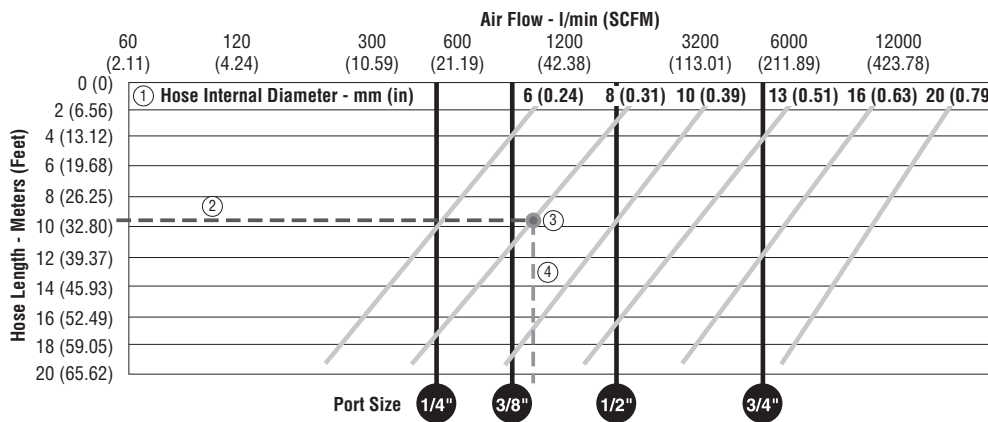
**Weight and Dimensions metric (imperial)**

Thread connection	Dimensions inch (mm)			Weight oz. (g)	Max. inlet pressure	Temp. range	Material	P1 inlet thread	P2 outlet thread	Part number NPT	Part number BSP
	A	B	SW								
1/4"	1.89 (48)	-	.87 (22)	1.06 (30)	255 psig (18 bar)	-4°F to 176°F (-20°C to 80°C)	Housing: Aluminum Piston: Polyacetal	Female	Female	<b>P4GAA92</b>	<b>P4GAA12*</b>
1/4"	2.28 (58)	49 (1.93)	.87 (22)	1.27 (36)				Male	Female	<b>P4GBA92</b>	<b>P4GBA12*</b>
3/8"	2.32 (59)	-	1.10 (28)	2.05 (58)				Female	Female	<b>P4GAA93</b>	<b>P4GAA13*</b>
3/8"	2.80 (71)	59 (2.32)	1.10 (28)	2.19 (62)				Male	Female	<b>P4GBA93</b>	<b>P4GBA13*</b>
1/2"	2.56 (65)	-	1.22 (31)	2.75 (78)				Female	Female	<b>P4GAA94</b>	<b>P4GAA14*</b>
1/2"	3.15 (80)	65 (2.56)	1.22 (31)	3.00 (85)				Male	Female	<b>P4GBA94</b>	<b>P4GBA14*</b>
3/4"	2.99 (76)	-	1.18/1.42* (30/36*)	3.77 (107)	500 psig (35 bar)	-4°F to 248°F (-20°C to 120°C)	Housing: Aluminum Piston: Aluminum	Female	Female	<b>P4GAA96</b>	<b>P4GAA16*</b>
1"	3.94 (100)	-	1.61/1.97* (41/50*)	10.58 (300)				Female	Female	<b>P4GAA98</b>	<b>P4GAA18*</b>
2"	5.12 (130)	-	2.76/3.15* (70/80*)	27.34 (775)				Female	Female	<b>P4GAA9C</b>	<b>P4GAA1C*</b>

\* Note: BSP Threads Available Upon Request.

**How to Select the Optimal Size of an AirGuard**

Information based on an inlet pressure of 7 bar (100 psig)



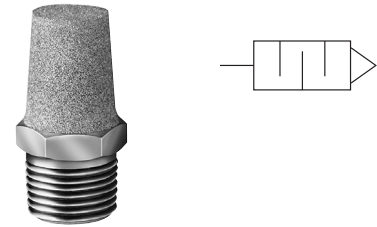
- Determine the internal diameter of the hose, tube or pipe being used ① (see specification Hose-internal Diameter, diagonal line).
- Determine the length of the hose, tube or pipe ② (Hose length in meters).
- Define the intersection of point a and b, and mark a vertical line downwards. ③ - ④ In the example chart (dot ③) and the dashed line ④).
- The next vertical black line, left of the intersection line ④) tells the correct AirGuard size (in inches).
- Important: Every flow value to the right of the respective vertical line (black) would activate the AirGuard in case of a bursting hose, pipe or tube. All AirGuard sizes right of the intersection line ④) are too big and will not close up.
- Example:** Which air fuse should be used for a hose, pipe or tube bearing 8 mm inner diameter and 10 meters of length - follow the 10 meter line ②) to the intersection point (dot ③). Now the next left black line marks the correct size.
- Result:** The correct size in our example is the AirGuard 3/8"



For inventory, lead time, and kit lookup, visit [www.pdnplu.com](http://www.pdnplu.com)

**EM Series – Sintered Bronze Muffler / Filters**

Muffler / filters effectively reduce air exhaust noises to an industry accepted level with minimum flow restriction. They protect valves, impact wrenches, screw drivers and other air tools by preventing dirt and other foreign matter from entering the system. Non-corrosive. Can be cleaned with many common solvents.



**EM Series**

Pipe thread	Overall length	Hex size	Part number
M5	.75	5/16"	<b>EMM5</b>
1/8"	1.00	7/16"	<b>EM12</b>
1/4"	1.32	9/16"	<b>EM25</b>
3/8"	1.54	11/16"	<b>EM37</b>
1/2"	1.85	7/8"	<b>EM50</b>
3/4"	2.29	1-1/6"	<b>EM75</b>
1"	2.91	1-5/16"	<b>EM100</b>
1-1/4"	3.25	1-11/16"	<b>EM125</b>
1-1/2"	3.69	2"	<b>EM150</b>

**Operating information**

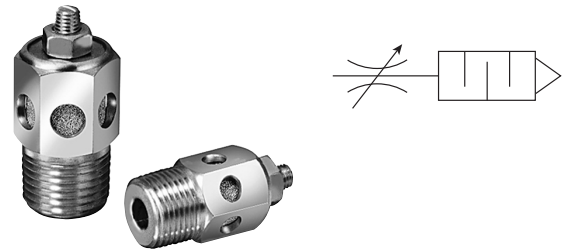
Operating pressure: 250 psig (Air)  
Cracking pressure 1 to 2 psig

Operating temperature:\* 0°F to 300°F

\* Ambient temperatures below freezing require moisture-free air. Ambient temperatures below freezing and above 180° require lubricants especially selected for suitability at these temperatures. Pneumatic valves should be used with filtered and lubricated air.

**Muffler / Flow Controls**

Muffler / flow controls provide an acceptable exhaust noise level and effectively meter exhaust. Installed in valve exhaust ports, they control cylinder piston speeds throughout a wide range. The adjusting screw cannot be accidentally blown out, can be locked to maintain setting. Brass and bronze construction. Clean with commonly used solvents.



**Muffler / Flow Controls**

Pipe thread	Overall length	Hex size	Part number
1/8"	1.15	9/16"	<b>045020002</b>
1/4"	1.42	1/2"	<b>045040004</b>
3/8"	1.49	11/16"	<b>045060060</b>
1/2"	1.77	7/8"	<b>045080080</b>
3/4"	1.98	1-1/16"	<b>045120012</b>
1"	2.15	1-5/16"	<b>045160016</b>

**Operating information**

Operating pressure: 250 psig (Air)  
Cracking pressure 1 to 2 psig

Operating temperature:\* 0°F to 300°F

\* Ambient temperatures below freezing require moisture-free air. Ambient temperatures below freezing and above 180° require lubricants especially selected for suitability at these temperatures. Pneumatic valves should be used with filtered and lubricated air.

Most popular.

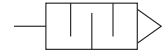


For inventory, lead times, and kit lookup, visit [www.pdnplu.com](http://www.pdnplu.com)

Drains  
 Lockout Valves  
 AirGuard  
 Mufflers  
 Ball Valve / Plug Valves  
 Quick Couplings  
 Hose Products  
 Fittings  
**N**  
 Airline Accessories

**Breather Vents**

These low silhouette versions of the muffler / filter are useful where space is a problem and / or to prevent contamination. Use for vacuum relief or pressure equalization in gear boxes, oil tanks, reservoirs, etc. Non-corrosive.



**Breather Vent**

Pipe thread	Overall length	Hex size	Part number
1/8"	0.44	7/16"	<b>047020002</b>
1/4"	0.63	9/16"	<b>047040004</b>
3/8"	0.75	11/16"	<b>047060006</b>
1/2"	0.88	7/8"	<b>047080008</b>
3/4"	1.00	1-1/6"	<b>047120012</b>
1"	1.31	1-5/16"	<b>047160016</b>
1-1/4"	1.41	1-11/16"	<b>047200020</b>
1-1/2"	1.50	2"	<b>047240024</b>

**NOTE:** Breather vents should not be used as exhaust mufflers.

**Operating information**

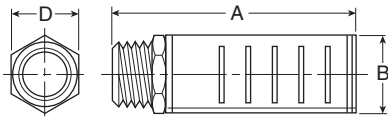
Operating pressure: 150 psig (Air) max.

Operating temperature:\* 0°F to 300°F

\* Ambient temperatures below freezing require moisture-free air. Ambient temperatures below freezing and above 180° require lubricants especially selected for suitability at these temperatures. Pneumatic valves should be used with filtered and lubricated air.

**ES Series – Silencer**

The silencer is designed to give superior performance in noise control with a minimum effect on air efficiency. "Trimline" design allows location in the tightest places without extra plumbing and fittings. Fits directly into the exhaust port of more than 90% of present commercial valves. Slotted body permits rapid discharge of air without undesirable back pressure. Unique nylon screen element resists dirt buildup or clogging.



**Operating information**

Operating pressure: 250 psig (Air) max.

Operating temperature:\* 0°F to 300°F

\* Ambient temperatures below freezing require moisture-free air. Ambient temperatures below freezing and above 180° require lubricants especially selected for suitability at these temperatures. Pneumatic valves should be used with filtered and lubricated air.

**ES Series – Silencer**

Pipe thread	Flow scfm @ 100 psig inlet	Dimensions			Part numbers	
		A	B	D	NPTF	BSPT (R)
1/8"	115	1.85	0.81	0.63	<b>ES12MC</b>	<b>ESB12MC</b>
1/4"	129	1.85	0.81	0.63	<b>ES25MC</b>	<b>ESB25MC</b>
3/8"	219	3.31	1.26	1.00	<b>ES37MC</b>	<b>ESB37MC</b>
1/2"	549	3.31	1.26	1.00	<b>ES50MC</b>	<b>ESB50MC</b>
3/4"	893	4.56	2.01	1.62	<b>ES75MC</b>	<b>ESB75MC</b>
1"	1,013	4.56	2.01	1.62	<b>ES100MC</b>	<b>ESB100MC</b>
1-1/4"	1,486	5.69	2.88	—	<b>ES125MC</b>	<b>ESB125MC</b>
1-1/2"	1,580	5.69	2.88	—	<b>ES150MC</b>	<b>ESB150MC</b>

Most popular.



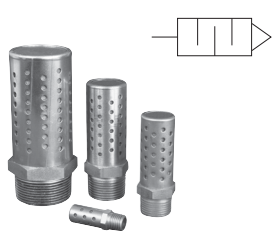
For inventory, lead time, and kit lookup, visit [www.pdnplu.com](http://www.pdnplu.com)

N15

**Parker Hannifin Corporation**  
Pneumatic Division  
Richland, Michigan  
[www.parker.com/pneumatics](http://www.parker.com/pneumatics)

## Stainless Steel Mufflers

Corrosion resistant mufflers for harsh environments



Port size	Construction	Threads	Dimensions In. (mm)		Part number
			Width	Length	
1/4	Stainless steel	Male, NPT	0.56 (14.2)	1.75 (44.5)	<b>5500A2004</b>
1/2	Stainless steel	Male, NPT	0.87 (22.1)	2.75 (69.7)	<b>5500A4004</b>
1	Stainless steel	Male, NPT	1.31 (33.3)	3.87 (98.3)	<b>5500A6004</b>
2	Nickel plated	Male, NPT	2.37 (60.2)	5.50 (139.7)	<b>5500A9004*</b>

\* Nickel plated

Drains
Lockout Valves
AirGuard
Mufflers
Ball Valve / Plug Valves
Quick Couplings
Hose Products
Fittings
<b>N</b>
Airline Accessories



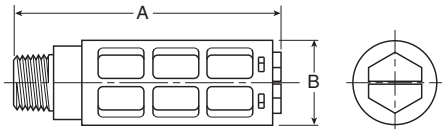
For inventory, lead times, and kit lookup, visit [www.pdnplu.com](http://www.pdnplu.com)



**ASN Air Line Silencer, Plastic**

- Compact
- Lightweight
- Easy to Install
- Excellent Noise Reduction
- Protects Components from Contamination
- NPT and BSPT Threads Available

The plastic silencer is designed to give excellent noise reduction with a minimum effect on air efficiency. The "Trimline" design allows for locating the silencer in the tightest places without extra plumbing or fittings. Fits directly into the exhaust port of most commercial valves. Open surface area of element allows for rapid discharge of air without undesirable back pressure.



**Operating information**

Operating pressure:	0 to 150 psig (0 to 10 bar, 0 to 1034 kPa)
Operating temperature:	14°F to 140°F (-10°C to 60°C)

**Material Specifications**

Body	Acetal (Plastic)
Element	Polyethylene

**ASN Air Line Silencer, Plastic**

Thread size	A (mm)	B (mm)	Maximum flow (scfm) 100 psig inlet	Sound pressure level (dBA)		Part number	
				20 psig inlet	100 psig inlet	NPT	BSPT
M5	0.43 (11)	0.32 (8)	15	69	79	<b>AS-5</b>	
1/8"	1.57 (40)	0.63 (16)	51	69	81	<b>ASN-6</b>	<b>AS-6</b>
1/4"	2.56 (65)	0.83 (21)	124	67	84	<b>ASN-8</b>	<b>AS-8</b>
3/8"	3.35 (85)	0.98 (25)	247	83	98	<b>ASN-10</b>	<b>AS-10</b>
1/2"	3.74 (95)	1.18 (30)	370	69	96	<b>ASN-15</b>	<b>AS-15</b>

Most popular.

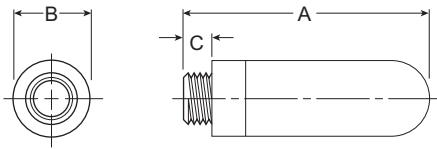
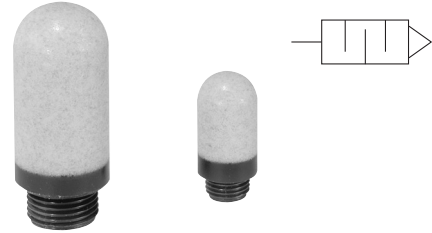


For inventory, lead time, and kit lookup, visit [www.pdnplu.com](http://www.pdnplu.com)

**P6M G Thread Air Line Silencer, Plastic**

- All Plastic Ultra Light Weight Versions
- High Noise Level Reduction
- Low Back Pressure Generation

The plastic silencer is designed to give excellent noise reduction with a minimum effect on air efficiency. The "Trimline" design allows for locating the silencer in the tightest places without extra plumbing or fittings. Fits directly into the exhaust port of most commercial valves. Open surface area of element allows for rapid discharge of air without undesirable back pressure.



**Operating information**

Operating pressure:	0 to 246 psig (0 to 17 bar, 0 to 1700 kPa)
Operating temperature:	14°F to 176°F (-10°C to 80°C)
Plastic	14°F to 165°F (-10°C to 74°C)
Metal	
Efficiency	92%

**P6M G Thread, Air Line Silencer, Plastic**

Port thread	A	Diameter B	C	Weight (grams)	Part number
M5	0.91 (23)	0.26 (6,5)	0.16 (4)	0.01	<b>P6M-PAC5</b>
G1/8	1.14 (29)	0.55 (14)	0.24 (6)	0.02	<b>P6M-PAB1</b>
G1/4	1.34 (34)	0.67 (17)	0.24 (6)	0.04	<b>P6M-PAB2</b>
G3/8	2.36 (60)	0.98 (25)	0.35 (9)	0.06	<b>P6M-PAB3</b>
G1/2	2.52 (64)	0.98 (25)	0.43 (11)	0.10	<b>P6M-PAB4</b>
G3/4	5.51 (140)	1.50 (38)	0.55 (14)	0.50	<b>P6M-PAB6</b>
G1	6.30 (160)	1.89 (48)	0.79 (20)	0.62	<b>P6M-PAB8</b>

Most popular.



For inventory, lead times, and kit lookup, visit [www.pdnplu.com](http://www.pdnplu.com)

N18

**Parker Hannifin Corporation**  
Pneumatic Division  
Richland, Michigan  
[www.parker.com/pneumatics](http://www.parker.com/pneumatics)

Drains

Lockout Valves

AirGuard

Mufflers

Ball Valve / Plug Valves

Quick Couplings

Hose Products

Fittings

**N**

Airline Accessories

**ECS Reclassifier, Air Line Muffler**

The ECS (Muffler-Reclassifier) eliminates unwanted oil mist and reduces exhaust noise from pneumatic valves, cylinders and air motors.

- 99.97% Oil Removal Efficiencies
- 25 dBA Noise Attenuation
- 1/2" NPT and 1" NPT
- Disposable Units
- Continuous or Plugged Drain Option
- Metal Retained Construction
- Fast Exhaust Time

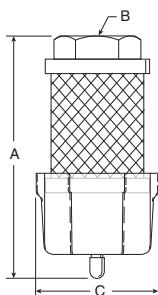
**Improve Overall Plant Environment**

Exhaust oil mist and noise pollution have a direct impact on worker productivity.

Oil aerosol mist from lubricators and compressors is pervasive and enters the industrial plant environment through the exhaust ports of valves, cylinders and air motors. This rapidly expanding exhaust also produces sudden and excessive noise.

The ECS (Muffler-Reclassifier) is 99.97% efficient at removing the oil aerosols. The ECS also acts as a silencer to lower the dBA levels below O.S.H.A. requirements.

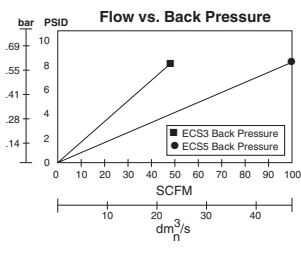
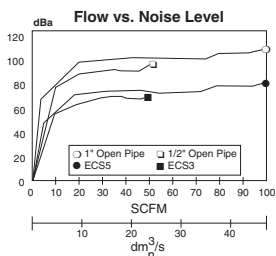
The result is a cleaner, quieter environment which equates to greater work productivity and safety.



**ECS Reclassifier, Air Line Muffler**

Thread size	A	B	C	Part number
1/2	5.30 (135mm)	1/2" NPT	2.57 (65mm)	<b>ECS3</b>
1	7.30 (185mm)	1" NPT	2.57 (65mm)	<b>ECS5</b>

**Performance Characteristics**



Most popular.



**Operating information**

Maximum line pressure:	100 psig (6.8 bar)
Maximum operating temperature:	125°F (52°C)

**Operation**

Compressor oils and lubricating oils are exhausted from valves, cylinders and air motors into the ECS. Oil aerosols are "coalesced" into larger droplets and gravity pulls them into the attached drain sump. The sump can then be drained manually or by using a 1/4" ID plastic tube drain. The air flowing into the ECS is also muffled or silenced as it enters the inside of the ECS and passes through the filter media into the atmosphere.

**Proven Technology**

The ECS units are constructed from the same materials that go into our oil removal coalescing filter elements.

The seamless design insures media uniformity and strength. This proven technology provides high coalescing efficiency with low pressure drop.

The filter media is supported by cylindrical perforated steel retainers both inside and out. These retainers, fully plated for excellent corrosion resistance, give the ECS units high rupture strength in either flow direction. These filters can also be used as high efficiency inlet or bypass filters for vacuum pumps, or breather elements to protect the air above critical process liquids.

**ECS3 / ECS5**

The ECS solves two problems inherent in compressed air exhaust from valves, cylinders and air motors - oil mist removal and noise abatement.

The ECS will improve your industrial plant environment, thereby improving worker productivity.



For inventory, lead time, and kit lookup, visit [www.pdnplu.com](http://www.pdnplu.com)

Drains
Lockout Valves
AirGuard
Mufflers
Ball Valve / Plug Valves
Quick Couplings
Hose Products
Fittings
<b>N</b> Airline Accessories

## Brass Ball Valves

Parker's industrial ball valve product line is intended for general purpose use. Please be aware that ball valves are intended for use in the fully open or closed positions. Depending on application conditions, throttling of the valve may result in premature seal failure and/or inability to turn the valve handle.

For use as fuel line shutoffs for gasoline and diesel powered over the highway, off highway, and construction equipment vehicles. Water and air service lines on capital equipment and plant design plumbing that require total shutoff capability.



### Material Specifications

Valve body:	Forged brass
Ball:	Chrome plated brass
Seats / seals:	PTFE
Handle:	Steel

### Flow Data

Valve Size	Cv
1/4	4.0
3/8	5.8
1/2	12.0
3/4	25.0
1	35.0
1-1/4	57.0
1-1/2	92.0
2	224.0

### Ordering information

Style	Type	Material	Size	Options
XV	500	P	-4	-00
Style	XV-Valve XVP-Valve, Padlocking handle XVV-Valve, Vented XVVP-Valve, Vented, Padlocking handle			
Type	500-Female / Female PTF ports			
Material	P- Brass PN-Nickel plated			
Size	4 = 1/4", 6 = 3/8", 8 = 1/2", 12 = 3/4", 16 = 1", 20 = 1-1/4", 24 = 1-1/2", 32 = 2"			
Options	01-Stainless steel ball & stem 02-Stainless steel handle & nut 03-Stainless steel ball, stem, handle & nut 04-Tee handle 08-Unmarked yellow vinyl handle cover 21-Oval handle			

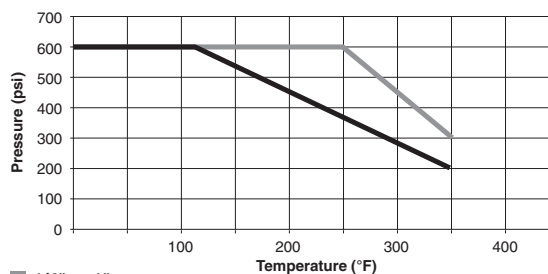
### Operating information

Pressure range: 600 WOG, cold non-shock  
 Saturated steam up to 150 PSI and 400°F  
 Vacuum service to 29 inches Hg.  
 Vented up to 250 PSI

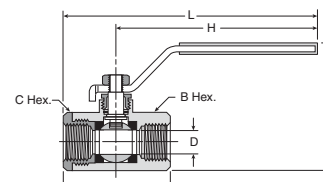
Operating instructions: Quarter turn is "ON" or "OFF".  
 (Provides positive stop action for full shutoff.)

Operating temperature: 0°F to 350°F

Note: Periodically check the adjustable packing nut and tighten as required.



■ 1/4" to 1"  
 ■ 1 1/4" to 2"



### Female-Female Pipe Ends XV500P

Part number	Pipe thread	B Hex	C Hex	H	L	M	N	Flow dia. D
XV500P-4	1/4	15/16	15/16	3.96	4.90	2.03	2.47	.375
XV500P-6	3/8	15/16	15/16	3.96	4.90	2.03	2.47	.375
XV500P-8	1/2*	1-1/16	1-1/16	3.96	5.00	2.20	2.58	.500
XV500P-12	3/4**	1-1/4	1-5/16	3.96	5.25	2.42	2.81	.685
XV500P-16	1**	1-1/2	1-9/16	3.96	5.34	2.75	3.08	.875

\* PTF special short  
 \*\* PTF SPL extra short



For inventory, lead times, and kit lookup, visit [www.pdnplu.com](http://www.pdnplu.com)

N20

**Parker Hannifin Corporation**  
 Pneumatic Division  
 Richland, Michigan  
[www.parker.com/pneumatics](http://www.parker.com/pneumatics)

## Mini Brass Ball Valves

### Style

- MV-Mini Valve

### Type

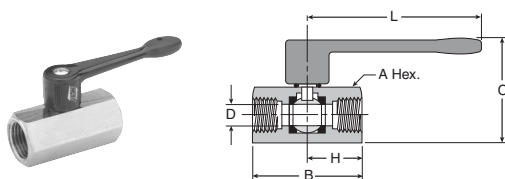
- 608 male/female
- 609 female/female
- 200 female/female
- 21 oval handle

### Material Specifications

Body ball:	Chrome plated brass
Seats / seals:	PTFE
Stem seal:	Fluorocarbon
Handle:	Polyamide

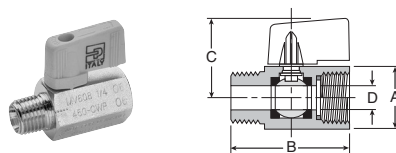
### Flow Data

Valve Size	MV200 Cv	MV608 Cv	MV609 Cv
1/8	1.3	1.2	1.4
1/4	4.0	5.8	4.3
3/8	3.7	3.9	3.6
1/2	5.8	5.6	6.0



### Female Pipe Ends, Lever Handle, Mini Ball Valve MV200

Part number	Pipe thread	A Hex	B	C	H	L	Flow dia. D
MV200-2	1/8	.83	1.71	1.20	.91	2.83	.31
MV200-4	1/4	.83	1.71	1.20	.91	2.83	.31
MV200-6	3/8	.83	1.71	1.20	.91	2.83	.31
MV200-8	1/2	.98	2.11	1.28	1.10	2.83	.39



### Male-Female Pipe Ends, Compact Handle, Mini Ball Valve MV608

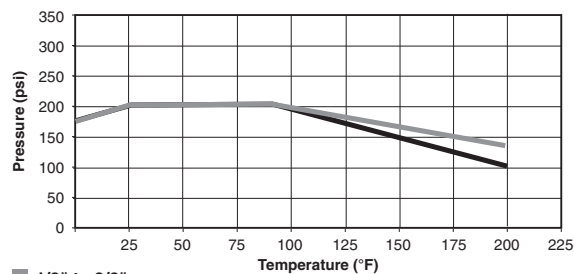
Part number	Pipe thread	A Hex	B	C	Flow dia. D
MV608-2	1/8	.83	1.72	1.22	.20
MV608-4	1/4	.83	1.72	1.22	.31
MV608-6	3/8	.83	1.72	1.22	.31
MV608-8	1/2	.98	2.11	1.30	.39



### Operating information

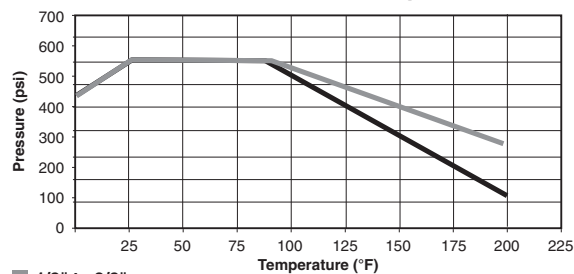
Pressure range:  
 MV200 200 psi  
 MV608 / 609 Vacuum Service 28 Inches Hg  
 MV608 / 609 450 psi  
 Operating temperature: 0°F to 200°F

#### MV200 Pressure and Temperature

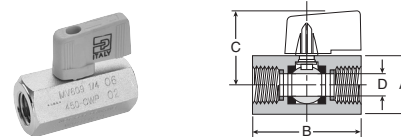


- 1/8" to 3/8"
- 1-1/2"

#### MV608 / 609 Pressure and Temperature



- 1/8" to 3/8"
- 1-1/2"



### Female Pipe Ends, Compact Handle, Mini Ball Valve MV609

Part number	Pipe Thread	A Hex	B	C	Flow Dia. D
MV609-2	1/8	.83	1.71	1.22	.24
MV609-4	1/4	.83	1.71	1.22	.31
MV609-6	3/8	.83	1.71	1.22	.31
MV609-8	1/2	.98	2.11	1.30	.39
MV609-6-4	3/8x1/4	.83	1.71	1.22	.31

Drains
Lockout Valves
AirGuard
Mufflers
Ball Valve / Plug Valves
Quick Couplings
Hose Products
Fittings
<b>N</b>
Airline Accessories



For inventory, lead time, and kit lookup, visit [www.pdnplu.com](http://www.pdnplu.com)

N21

**Parker Hannifin Corporation**  
 Pneumatic Division  
 Richland, Michigan  
[www.parker.com/pneumatics](http://www.parker.com/pneumatics)

# Stainless Steel Ball Valves

Parker's industrial ball valve product line is intended for general purpose use. Please be aware that ball valves are intended for use in the fully open or closed positions. Depending on application conditions, throttling of the valve may result in premature seal failure and/or inability to turn the valve handle.

Applications include chemical plants, refineries, steel mills, industrial fuel lines and agricultural equipment. Meets material requirements of NACE MR-01-75.



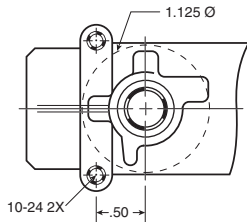
## Material Specifications

Valve body:	CF-8M Stainless Steel
Ball:	Stainless steel
Seats / seals:	PTFE
Handle:	Stainless steel

## Ordering information

Style	Type	Material	Size	Options
XV	500	SS	-4	-00
Style	XV - Valve XVP - Valve, Padlocking handle			
Type	502 - Panel mount female/female PTF ports			
Material	SS - stainless steel			
Size	4 = 1/4", 6 = 3/8", 8 = 1/2", 12 = 3/4", 16 = 1", 20 = 1-1/4", 24 = 1-1/2", 32 = 2"			
Options	20 - Short handle 21 - Oval handle 35 - Welded retainer nut			

## Mounting Detail



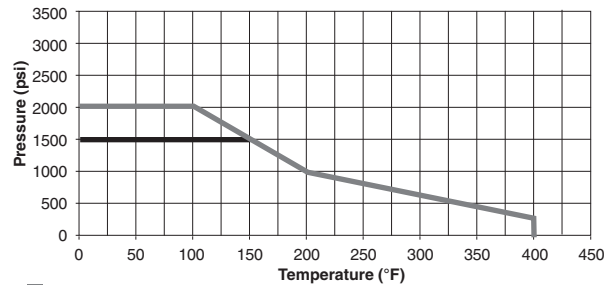
## Female Pipe Ends, Panel Mount XV502SS

Part number	Pipe thd (NPT)	B/C Hex	F	G	H	I Thd	L	M	N	Panel flow dia. D	Hole dia.
XV502SS-4	1/4	15/16	.500	1.125	4.00	10-24 UNC	5.03	2.07	2.52	.380	1.125
XV502SS-6	3/8	15/16	.500	1.125	4.00	10-24 UNC	5.03	2.07	2.52	.380	1.125
XV502SS-8	1/2	1-1/16	.500	1.125	4.00	10-24 UNC	5.13	2.27	2.65	.500	1.125
XV502SS-12	3/4	1-3/8	.875	1.375	5.00	10-24 UNC	6.67	3.35	3.46	.790	1.500
XV502SS-16	1	1-5/8	.875	1.375	5.00	10-24 UNC	6.77	3.54	3.74	1.000	1.500
XV502SS-20	1-1/4	2	1.000	1.500	7.00	1/4-20 UNC	9.00	4.00	4.55	1.250	2.000
XV502SS-24	1-1/2	2-3/8	1.000	1.500	7.00	1/4-20 UNC	7.19	4.38	5.42	1.500	2.000
XV502SS-32	2	3	1.000	1.500	7.00	1/4-20 UNC	9.75	5.50	5.68	2.000	2.000

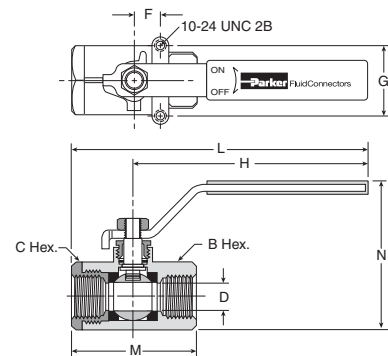
## Operating information

Pressure range:	2,000 psi Sizes: 1/4" - 1" 1,500 psi Sizes: 1-1/4" - 2"
Operating temperature:	0°F to 400°F
Approvals:	Meets material requirements of NACE MR-01-75

Note: Periodically check the adjustable packing nut and tighten as required.



■ 1/4" to 1"  
■ 1-1/4" to 2"



For inventory, lead times, and kit lookup, visit [www.pdnplu.com](http://www.pdnplu.com)

N22

**Parker Hannifin Corporation**  
Pneumatic Division  
Richland, Michigan  
[www.parker.com/pneumatics](http://www.parker.com/pneumatics)

## Brass Plug Valves

Compact design features internal nitrile seals and a one-piece extruded brass body, offering compatibility with a wide range of media. The one-piece stem / handle combination is constructed of glass reinforced acetal copolymer. Parker plug valves feature 1/4 turn shutoff allowing for ease of operation. All plug valves are 100% leak tested and are certified to be leak free to one SCCM.

### Material Specifications

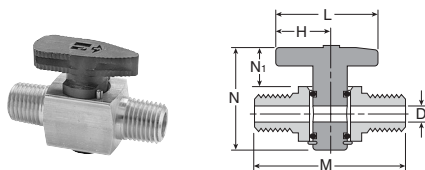
Fitting:	Brass
Nut:	Brass
Ferrule:	Brass

### Ordering information

Style	Type	Size	Options
PV	607	-2	-
Style	PV - Plug Valve		
Type	607 - Male to male		
Size	2 - 1/8" male		
Options	N - Neoprene (brown) V - Fluorocarbon (red)		

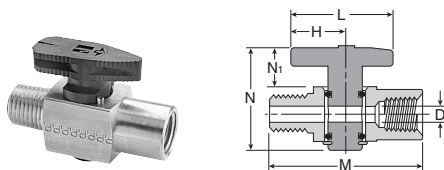
### Installation Instructions

To assure sealability and reliable performance, the valve must be installed so that the flow media travels in the direction of the arrow on the valve handle.



### Male Pipe to Male Pipe Plug Valve PV607

Part number	Pipe thread	H	L	M	N	N1	Flow dia. D
PV607-2	1/8	.67	1.34	1.66	1.38	.51	.200
PV607-4	1/4	.67	1.34	2.02	1.38	.51	.200



### Female Pipe to Male Pipe Plug Valve PV608

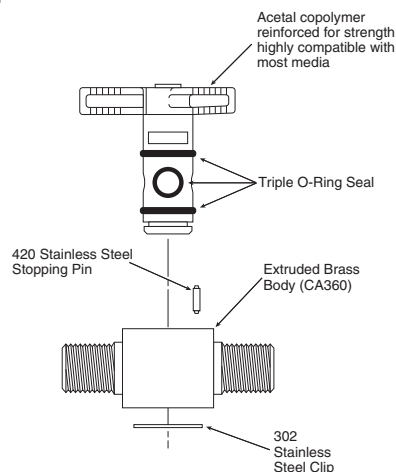
Part number	Pipe thread	H	L	M	N	N1	Flow dia. D
PV608-2	1/8	.67	1.34	1.67	1.38	.51	.200
PV608-4	1/4	.67	1.34	2.06	1.38	.51	.200



### Operating information

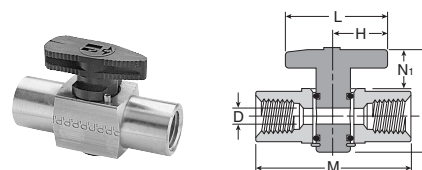
Pressure range:	Up to 250 psi
Operating temperature:	-40°F to 175°F

### Valve Components



### Female Pipe to Female Pipe Plug Valve PV609

Part number	Pipe thread	H	L	M	N	N1	Flow dia. D
PV609-2	1/8	.67	1.34	1.68	1.38	.51	.200
PV609-4	1/4	.67	1.34	2.10	1.38	.51	.200



For inventory, lead time, and kit lookup, visit [www.pdnplu.com](http://www.pdnplu.com)

N23

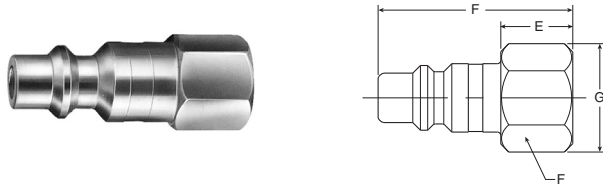
**Parker Hannifin Corporation**  
 Pneumatic Division  
 Richland, Michigan  
[www.parker.com/pneumatics](http://www.parker.com/pneumatics)

Drains
Lockout Valves
AirGuard
Mufflers
Ball Valve / Plug Valves
Quick Couplings
Hose Products
Fittings
<b>N</b> Airline Accessories

## Industrial Interchange Nipples

Industrial interchange nipples conform to MIL-C4109 and are for use with either Sleevmatic or Saflomatic couplers. The industrial interchange nipples are completely interchangeable with similar nipples manufactured by other quick coupling manufacturers conforming to A-A-59439 (formerly known as MIL-C-4109F), ANSI/(NFPA) T3.20.14-1990, or ISO6150-B requirements.

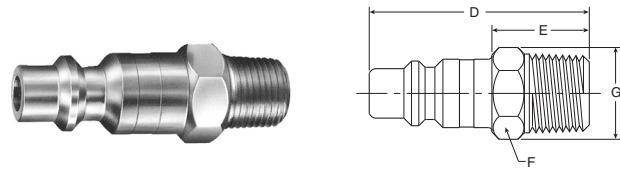
Hardened wear points and solid barstock construction provide long service life. Precision machined surfaces and hardened load-bearing areas resist the effects of mechanical shock in the most rugged applications.



### Female Pipe Thread (steel)

Part number	Body size (inches)	Thread size	Overall length D	Exposed length* E	Hex size F	Largest diameter G
H1C	1/4	1/8-27	1.48	0.71	0.50	0.58
H3C	1/4	1/4-18	1.56	0.80	0.62	0.72
H3C-E	1/4	3/8-18	1.60	0.83	0.81	0.94
H1E	3/8	1/4-18	1.60	0.69	0.62	0.72
H3E	3/8	3/8-18	1.69	0.74	0.81	0.94
H3E-F	3/8	1/2-14	1.84	0.90	1.00	1.16
H1F	1/2	3/8-18	2.03	0.79	0.81	0.94
H3F	1/2	1/2-14	2.20	0.96	1.00	1.16
H3F-G	1/2	3/4-14	2.30	1.05	1.25	1.44
H3G-F	3/4	1/2-14	2.22	1.06	1.00	1.16
H3G	3/4	3/4-14	2.18	1.02	1.25	1.44
H3G-J	3/4	1-11½	2.41	1.25	1.63	1.80

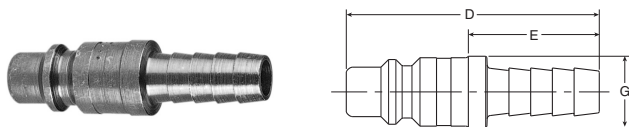
\* This dimension represents portion of nipple that is exposed when nipple is inserted in the coupler.



### Male Pipe Thread (steel)

Part number	Body size (inches)	Thread size	Overall length D	Exposed length E	Hex size F	Largest diameter G
H0C	1/4	1/8-27	1.68	0.92	0.50	0.58
H2C	1/4	1/4-18	1.66	0.89	0.56	0.65
H2C-E	1/4	3/8-18	1.90	1.14	0.69	0.80
H00E	3/8	1/8-27	1.68	0.73	0.62	0.72
H0E	3/8	1/4-18	1.90	0.95	0.62	0.72
H2E	3/8	3/8-18	1.90	0.95	0.69	0.80
H2E-F	3/8	1/2-14	2.03	1.09	0.88	1.02
H0F	1/2	3/8-18	2.20	0.96	0.69	0.79
H2F	1/2	1/2-14	2.35	1.09	0.88	1.01
H2F-G	1/2	3/4-14	2.40	1.16	1.06	1.22
H2G-F	3/4	1/2-14	2.32	1.16	1.00	1.16
H2G	3/4	3/4-14	2.28	1.12	1.06	1.22
H2G-J	3/4	1-11½	2.56	1.40	1.31	1.52

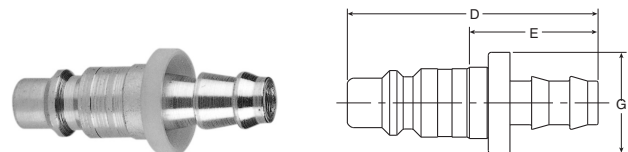
\* This dimension represents portion of nipple that is exposed when nipple is inserted in the coupler.



### Standard Hose Barb (steel)

Part number	Body size (inches)	Hose I.D.	Overall length D	Exposed length* E	Largest diameter G
H8C	1/4	1/4	1.72	0.95	0.46
H8C-D	1/4	5/16	1.96	1.20	0.50
H9C	1/4	3/8	1.96	1.20	0.50
H5E	3/8	3/8	1.85	0.90	0.59
H6E	3/8	1/2	2.09	1.14	0.68
H4F	1/2	3/8	2.36	1.12	0.66
H5F	1/2	1/2	2.36	1.12	0.66
H5F-G	1/2	3/4	2.95	1.71	0.87
H5G-F	3/4	1/2	2.47	1.31	0.93
H5G	3/4	3/4	3.00	1.84	0.93
H5G-J	3/4	1	3.24	2.08	1.24

\* This dimension represents portion of nipple that is exposed when nipple is inserted in coupler.



### Push-Lok Hose Barb\*\* (steel)

Part number	Body size (inches)	Hose I.D.	Overall length D	Exposed length* E	Largest diameter G
H8CP	1/4	1/4	1.93	1.16	0.69
H9CP	1/4	3/8	2.08	1.31	0.86
H4EP	3/8	1/4	2.02	1.08	0.69
H5EP	3/8	3/8	2.17	1.23	0.88
H6EP	3/8	1/2	2.31	1.37	0.97
H4FP	1/2	3/8	2.52	1.27	0.88
H5FP	1/2	1/2	2.66	1.42	0.97
H6FP	1/2	1/2	2.95	1.71	1.14

\* This dimension represents portion of nipple that is exposed when nipple is inserted in coupler.

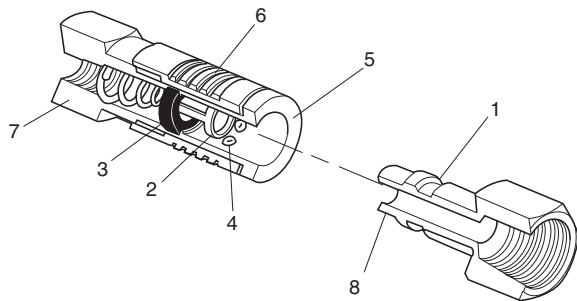
\*\* Push-Lok hose barbs are designed for use with a push-lok hose and do not require clamps.



For inventory, lead times, and kit lookup, visit [www.pdnplu.com](http://www.pdnplu.com)



## Sleevmatic Couplers



### Features

1. Hardened wear points and solid barstock construction provide long life for these quality couplings. Precision machined surfaces resist the effects of mechanical shocks, even in rugged use.
2. Tubular valve with large flow passages delivers high air flows with minimal pressure drop for efficient performance.
3. Molded seals with high quality valve seats form a bubble tight seal for reliable sealing within rated working pressures. The tubular valve minimizes wear on the seal and prolongs seal life.
4. Ball locking mechanism with large numbers of steel or stainless steel locking balls improves resistance to wear, insures positive connections and provides accurate alignment. The ball locking also allows swiveling action that reduces hose torque.
5. Sleeve guard resists accidental disconnection by allowing the coupling to ride over obstructions without the sleeve being accidentally retracted. It also contributes to greater strength.
6. Knurling and grooves on sleeve provide gripping surfaces for ease of operation.
7. Wide range of sizes, materials and end terminations are available. Sleeve type quick couplings are offered with male pipe, female pipe, push-lok hose barb and standard hose barb ends. Materials offered are Nitrile, Ethylene, Propylene and Fluorocarbon for seals and brass or steel for metals.
8. Interchangeability. Sleevmatic couplers are used with industrial interchange nipples conforming to MIL-C4109.

### Operation

Sleeve type couplings are widely used to connect air and low-pressure fluid hose lines.

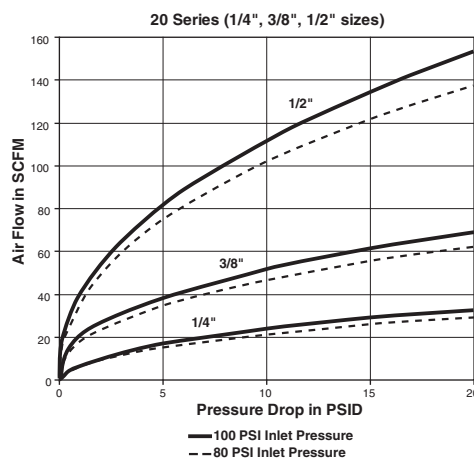
Their compact and economical design uses a ball locking mechanism consisting of captive steel balls that engage the locking groove on the mating nipple. As pictured, the sliding spring loaded sleeve on the coupler must be manually retracted in order to connect or disconnect the nipple. It is easy to do, but two hands are normally required.

Common applications include compressed air, water, grease, paint, limited vacuum and limited gases.

### Operating information

Temperature range:	
Nitrile	-40°F to 250°F
Ethylene Propylene	-65°F to 400°F
Fluorocarbon	-30°F to 400°F
Body size:	
1/4", 3/8", 1/2"	
Rated pressure:	
300 psi	
Locking device:	
1/4" 4 balls	
3/8" 8 balls	
1/2" 8 balls	
Vacuum data:	
Disconnected (coupler only)	Not recommended
Connected	27.4 (inches Hg*)
* Couplings for vacuum service should be 100% tested – an extra cost service. Consult factory.	

### Performance Sleevmatic 1/4", 3/8", 1/2"



Drains
Lockout Valves
AirGuard
Mufflers
Ball Valve / Plug Valves
Quick Couplings
Hose Products
Fittings
<b>N</b>
Airline Accessories

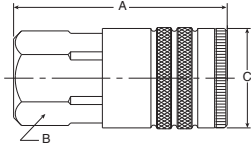


For inventory, lead time, and kit lookup, visit [www.pdnplu.com](http://www.pdnplu.com)

N25

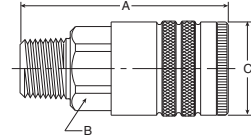
**Parker Hannifin Corporation**  
 Pneumatic Division  
 Richland, Michigan  
[www.parker.com/pneumatics](http://www.parker.com/pneumatics)

Drains
Lockout Valves
AirGuard
Mufflers
Ball Valve / Plug Valves
Quick Couplings
Hose Products
Fittings
<b>N</b>
Airline Accessories



**Female Pipe Thread**

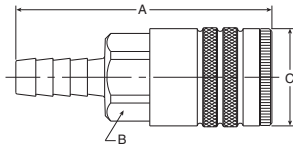
Part number		Body size (inches)	Thread size	Overall length A	Hex size B	Largest diameter C
Brass	Steel					
<b>B23A</b>	—	1/4	1/8-27	1.83	0.75	0.90
<b>B23</b>	—	1/4	1/4-18	1.83	0.75	0.90
<b>B23E</b>	—	1/4	3/8-18	1.95	0.81	0.94
—	<b>25C</b>	3/8	1/4-18	2.22	0.88	1.06
—	<b>25</b>	3/8	3/8-18	2.28	0.88	1.06
—	<b>25F</b>	3/8	1/2-14	2.55	1.00	1.16
—	<b>17E</b>	1/2	3/8-18	2.74	1.00	1.19
—	<b>17</b>	1/2	1/2-14	2.96	1.00	1.19
—	<b>17G</b>	1/2	3/4-14	3.19	1.25	1.44



**Male Pipe Thread**

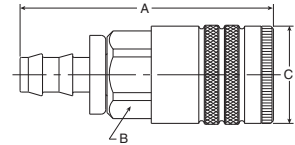
Part number		Body size (inches)	Thread size	Overall length A	Hex size B	Largest diameter C
Brass	Steel					
<b>B22A</b>	—	1/4	1/8-27	1.89	0.75	0.90
<b>B22</b>	—	1/4	1/4-18	2.05	0.75	0.90
<b>B22E</b>	—	1/4	3/8-18	2.08	0.75	0.90
—	<b>24C</b>	3/8	1/4-18	2.36	0.88	1.06
—	<b>24</b>	3/8	3/8-18	2.39	0.88	1.06
—	<b>24F</b>	3/8	1/2-14	2.55	0.88	1.06
—	<b>16E</b>	1/2	3/8-18	2.93	1.00	1.19
—	<b>16</b>	1/2	1/2-14	3.08	1.00	1.19
—	<b>16G</b>	1/2	3/4-14	3.21	1.13	1.30

NOTE: To indicate Fluorocarbon seals, add the letter Y as a suffix to the catalog number of the coupler. To indicate Ethylene Propylene seals, add the letter W as a suffix to the catalog number of the coupler.  
 Example: B23AY or B23AW



**Standard Hose Barb**

Part number		Body size (inches)	Hose I.D.	Overall length A	Hex size B	Largest diameter C
Brass	Steel					
<b>B20-3B</b>	—	1/4	1/4	2.49	0.75	0.90
<b>B20-4B</b>	—	1/4	5/16	2.49	0.75	0.90
<b>B20-5B</b>	—	1/4	3/8	2.49	0.75	0.90
—	<b>24-5B</b>	3/8	3/8	2.86	0.88	1.06
—	<b>24-6B</b>	3/8	1/2	3.08	0.88	1.06
—	<b>16-5B</b>	1/2	3/8	3.37	1.00	1.19
—	<b>16-6B</b>	1/2	1/2	3.62	1.00	1.19
—	<b>16-7B</b>	1/2	3/4	3.96	1.00	1.19



**Push-Lok Hose Barb\***

Part number		Body size (inches)	Hose I.D.	Overall Length A	Hex Size B	Largest Diameter C
Brass	Steel					
<b>B20-3BP</b>	—	1/4	1/4	2.32	0.75	0.90
<b>B20-5BP</b>	—	1/4	3/8	2.47	0.75	0.90
—	<b>24-5BP</b>	3/8	3/8	2.88	0.88	1.06
—	<b>16-5BP</b>	1/2	3/8	3.35	1.00	1.19
—	<b>16-6BP</b>	1/2	1/2	3.46	1.00	1.19

\* Push-Lok hose barbs are designed for use with push-lok hose and do not require clamps.

NOTE: To indicate Fluorocarbon seals, add the letter Y as a suffix to the catalog number of the coupler. To indicate Ethylene Propylene seals, add the letter W as a suffix to the catalog number of the coupler.  
 Example: B20-3BY or B20-3BW

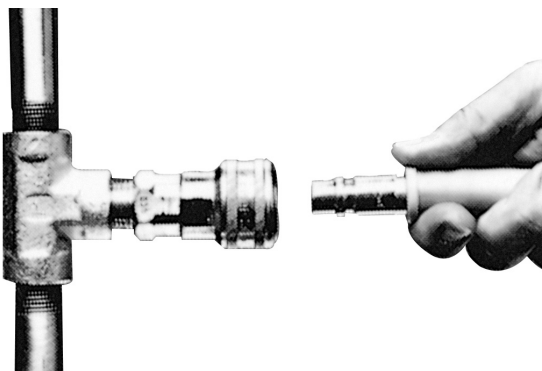
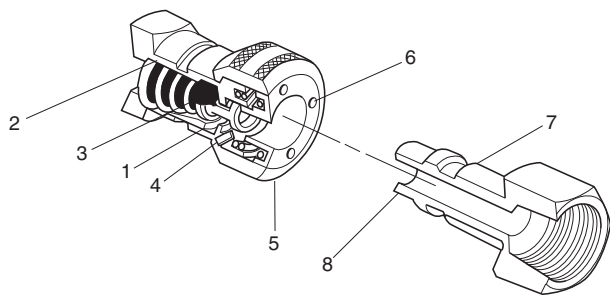
**Repair Kits**

Body size	Nitrile	Fluorocarbon	Ethylene Propylene
1/4	21K	21KY	21KW
3/8	14K	—	14KW
1/2	16K	16KY	16KW



For inventory, lead times, and kit lookup, visit [www.pdnplu.com](http://www.pdnplu.com)

## Safromatic Couplers



### Features

1. Safromatic tubular valves with their large flow windows deliver high air flow with minimum pressure drop – for efficient performance of air tools and other actuators. The tubular valve also provides 360 degree seal support to prevent cold flow and bore constriction, thereby extending seal life.
2. Tapered flow recesses in the valve body provide maximum flow capability.
3. Precision molded seals with high quality valve seats for a bubble tight seal that assures reliable sealing within rated working pressures. The Safromatic design with its 360° seal support gives maximum seal retention.
4. Locking pawls are of hardened stainless steel for a durable locking mechanism that provides good alignment and sideload resistance.
5. Push-to-connect design permits one-handed connection when the coupler half is rigidly mounted.
6. Back pressure vent holes allow easier connections especially with liquids.
7. Hardened wear points and solid barstock construction provide long life for these quality couplings. Precision machined surfaces resist the effects of mechanical shocks, even in rugged use.
8. Interchangeability. Safromatic couplers are used with industrial interchange nipples conforming to MIL-C4109.

### Operation

Push type couplings feature one-handed “automatic” connection by pushing the nipple into the coupler – provided the coupler half is firmly mounted.

The locking mechanism of Safromatic push type couplers consists of pawls or pins which act directly on the sleeve, thereby causing the sleeve to automatically retract when the mating nipple is inserted. The sleeve must be manually retracted in order to remove the nipple.

Safromatic couplings are push type “single shut off” couplings.

Common applications include compressed air, water, grease, paint, limited vacuum and limited gas.

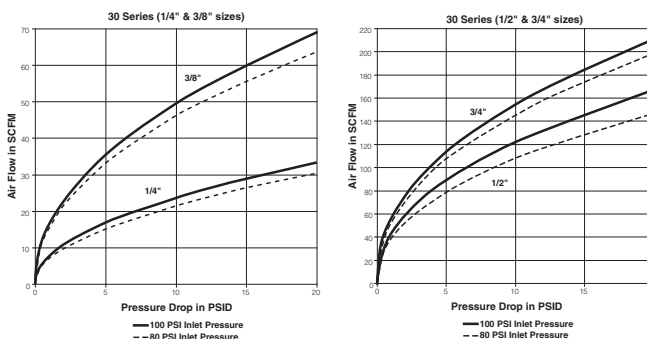
### Operating information

Temperature range:	
Nitrile	-40°F to 250°F
Ethylene Propylene	-65°F to 400°F
Fluorocarbon	-30°F to 400°F
Body size:	1/4", 3/8", 1/2", 3/4"
Rated pressure:	300 psi
Locking device:	1/4" 3 pawls 3/8" 4 pawls 1/2" 5 pawls 3/4" 6 pawls

Vacuum data:	
Disconnected (coupler only)	Not recommended
Connected	27.4 (inches Hg <sup>a</sup> )

\* Couplings for vacuum service should be 100% tested – an extra cost service. Consult factory.

### Performance Safromatic 1/4" to 3/4"



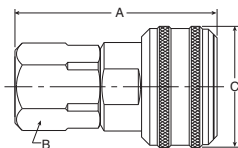
For inventory, lead time, and kit lookup, visit [www.pdnplu.com](http://www.pdnplu.com)

N27

**Parker Hannifin Corporation**  
 Pneumatic Division  
 Richland, Michigan  
[www.parker.com/pneumatics](http://www.parker.com/pneumatics)

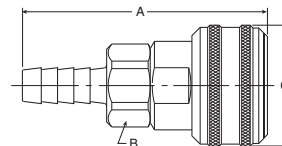
Drains
Lockout Valves
AirGuard
Mufflers
Ball Valve / Plug Valves
Quick Couplings
Hose Products
Fittings
<b>N</b>
Airline Accessories

Drains  
 Lockout Valves  
 AirGuard  
 Mufflers  
 Ball Valve / Plug Valves  
 Quick Couplings  
 Hose Products  
 Fittings  
**N**  
 Airline Accessories



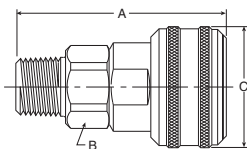
**Female Pipe Thread (brass)**

Part number	Body size (inches)	Thread size	Overall length A	Hex size B	Largest diameter C
B33A	1/4	1/8-27	1.96	0.75	1.20
B33	1/4	1/4-18	1.96	0.75	1.20
B33E	1/4	3/8-18	2.03	0.81	1.20
B35C	3/8	1/4-18	2.26	0.88	1.39
B35	3/8	3/8-18	2.33	0.88	1.39
B35F	3/8	1/2-14	2.57	1.00	1.39
B37E	1/2	3/8-18	2.76	1.00	1.52
B37	1/2	1/2-14	3.00	1.00	1.52
B37G	1/2	3/4-14	3.12	1.25	1.52
B39F	3/4	1/2-14	2.85	1.31	1.90
B39	3/4	3/4-14	2.99	1.31	1.90
B39J	3/4	1-11½	3.18	1.56	1.90



**Standard Hose Barb (brass)**

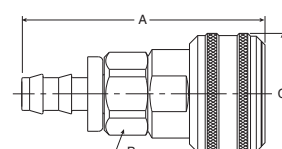
Part number	Body size (inches)	Hose I.D.	Overall length A	Hex size B	Largest diameter C
B30-3B	1/4	1/4	2.62	0.75	1.20
B30-4B	1/4	5/16	2.62	0.75	1.20
B30-5B	1/4	3/8	2.62	0.75	1.20
B34-5B	3/8	3/8	2.85	0.88	1.39
B34-6B	3/8	1/2	2.85	0.88	1.39
B36-6B	1/2	1/2	3.33	1.00	1.52
B36-7B	1/2	3/4	3.86	1.00	1.52
B38-7B	3/4	3/4	3.69	1.31	1.90
B38-8B	3/4	1	3.93	1.31	1.90



**Male Pipe Thread (brass)**

Part number	Body size (inches)	Thread size	Overall length A	Hex size B	Largest diameter C
B32A	1/4	1/8-27	2.03	0.75	1.20
B32	1/4	1/4-18	2.18	0.75	1.20
B32E	1/4	3/8-18	2.18	0.75	1.20
B34C	3/8	1/4-18	2.38	0.88	1.39
B34	3/8	3/8-18	2.44	0.88	1.39
B34F	3/8	1/2-14	2.57	0.88	1.39
B36E	1/2	3/8-18	2.92	1.00	1.52
B36	1/2	1/2-14	3.09	1.00	1.52
B36G	1/2	3/4-14	3.12	1.13	1.52
B38	3/4	3/4-14	2.95	1.31	1.90
B38J	3/4	1-11½	3.12	1.31	1.90

**NOTE:** To indicate Fluorocarbon seals, add the letter Y as a suffix to the catalog number of the coupler. To indicate Ethylene Propylene seals, add the letter W as a suffix to the catalog number of the coupler.  
 Example: B33AY or B33AW



**Push-Lok Hose Barb\* (brass)**

Part number	Body Size (Inches)	Hose I.D.	Overall Length A	Hex Size B	Largest Diameter C
B30-3BP	1/4	1/4	2.45	0.75	1.20
B30-5BP	1/4	3/8	2.60	0.75	1.20
B34-5BP	3/8	3/8	2.82	0.88	1.39
B36-6BP	1/2	1/2	3.46	1.00	1.52

\* Push-Lok hose barbs are designed for use with push-lok hose and do not require clamps.

**NOTE:** To indicate Fluorocarbon seals, add the letter Y as a suffix to the catalog number of the coupler.  
 Example: B30-3BY

**Repair Kits**

Body Size	Nitrile	Fluorocarbon	Ethylene Propylene
1/4	21K	21KY	21KW
3/8	14K	14KY	14KW
1/2	16K	16KY	16KW
3/4	38K	38KY	38KW

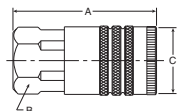
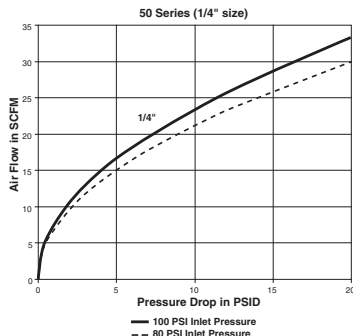


For inventory, lead times, and kit lookup, visit [www.pdnplu.com](http://www.pdnplu.com)

## Economatic Quick Connect Coupler

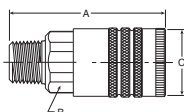
Economatic couplings feature the tubular valve in a coupler body that interchanges with ARO 210 and similar design couplers and nipples. Economatic couplings are available only in 1/4" body size, but include 3/8" thread size. Economatic couplings have brass bodies with steel sleeves and valves for durability. Standard seal material is Nitrile.

### Flow Chart



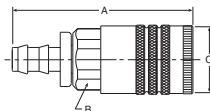
### Couplers Female Pipe Thread (brass)

Part number	Body size (Inches)	Thread size	Overall length A	Hex size B	Largest diameter C
B53	1/4	1/4-18 NPTF	1.83	0.75	0.90
B53E	1/4	3/8-18 NPTF	1.95	0.81	0.94



### Couplers Male Pipe Thread (brass)

Part number	Body size (inches)	Thread size	Overall length A	Hex size B	Largest diameter C
B52	1/4	1/4-18	2.05	0.75	0.90
B52E	1/4	3/8-18	2.08	0.75	0.90



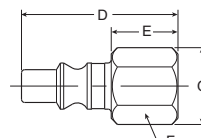
### Couplers Push-Lok Hose Barb\* (brass)

Part number	Body size (inches)	Hose I.D.	Overall length A	Hex size B	Largest diameter C
B50-03BP	1/4	1/4	2.32	0.75	0.90
B50-05BP	1/4	3/8	2.47	0.75	0.90

\* Push-Lok hose barbs are designed for use with push-lok hose and do not require clamps.

### Operating information

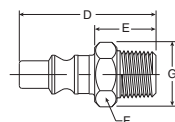
Temperature range: Standard seals	-40°F to 250°F
Body size:	1/4"
Rated pressure:	300 psi
Locking device:	4 balls



### Nipples Female Pipe Thread (steel)

Part number	Body size (inches)	Thread size	Overall length D	Exposed length* E	Hex size F	Largest diameter G
A3C	1/4	1/4-18	1.47	0.66	0.62	0.72

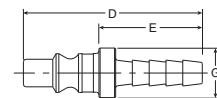
\* This dimension represents portion of nipple that is exposed when nipple is inserted in coupler.



### Nipples Male Pipe Thread (steel)

Part number	Body size (inches)	Thread size	Overall length D	Exposed length* E	Hex size F	Largest diameter G
A2C	1/4	1/4-18	1.62	0.82	0.56	0.65

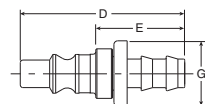
\* This dimension represents portion of nipple that is exposed when nipple is inserted in coupler.



### Nipples Standard Hose Barb (steel)

Part number	Body size (inches)	Hose I.D.	Overall length D	Exposed length* E	Largest diameter G
A8C	1/4	1/4	1.63	0.85	0.43

\* This dimension represents portion of nipple that is exposed when nipple is inserted in coupler.



### Nipples Push-Lok Hose Barb\*\* (steel)

Part number	Body size (inches)	Hose I.D.	Overall length D	Exposed length* E	Largest diameter G
A8CP	1/4	1/4	1.65	0.87	0.43

\* This dimension represents portion of nipple that is exposed when nipple is inserted in coupler.

\*\* Push-Lok barbs are designed for use with push-lok hose and do not require clamps.



For inventory, lead time, and kit lookup, visit [www.pdnplu.com](http://www.pdnplu.com)

N29

Drains
Lockout Valves
AirGuard
Mufflers
Ball Valve / Plug Valves
Quick Couplings
Hose Products
Fittings
<b>N</b>
Airline Accessories

## Push-on Hose 801 Push-Lok Plus

The Push-Lok Plus line is the most versatile general purpose hose available. It can be used in numerous applications where low-pressure media is used.



### Features and Benefits

- Widest fluid compatibility and application range
- Broadest size range (-4 through -16)
- Highest working pressure in all sizes in the industry

### Fitting Recommendations

Use only with Push-on Hose Fittings and Quick Couplers with Push-lock Hose Barb.

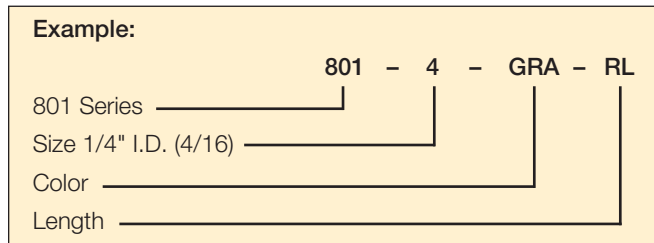
**Note:** Push-Lok hose is recommended for vacuum applications but not for cooling lines in air conditioners and heat pumps, nor for hydraulic applications where extreme pulsations are encountered. Push-Lok is not recommended for any fuel.

### Operating information

Temperature range:	
Petroleum base hydraulic fluids, lubricating oils, and antifreeze solutions	-40°F to +257°F (-40°C to 125°C)
Water, water / oil emulsion, and water / glycol fluids	up to 185°F (85°C)
Air	up to 158°F (70°C)

### Nomenclature

Part numbers are constructed from symbols that identify the style and size of the hose. Numbers identify the hose I.D. in 1/16's of an inch.



Note: 801-10-GRN-RL Not Available

### Available Cover Colors

- GRA = gray
- RED = red
- YEL = yellow
- BLU = blue
- GRN = green
- BLK = black

### Material Specifications

Inner tube:	Synthetic Rubber
Reinforcement:	One Fiber Braid
Cover:	Synthetic Rubber, MSHA Accepted

### Hose Length

Hose Type	I.D.	Reel Length
801-4	1/4"	600 feet
801-6	3/8"	450 feet
801-8	1/2"	300 feet
801-10	5/8"	250 feet
801-12	3/4"	200 feet
801-16	1"	200 feet

\*General reels have no more than 3 lengths per reel, each no less than 20 feet.

### Dimensions & Specifications

#	Hose I.D.		Hose O.D.		Working Pressure		Burst Pressure		Minimum Bend Radius		Weight		Vacuum Rating	
	Inch	mm	Inch	mm	PSI	MPa	PSI	MPa	Inch	mm	lbs/ft	kg/m	Inches of Hg	kPa
801-4	1/4	6,3	0.50	12,7	350	2.4	1000	6,8	2-1/2	65	0.09	0.13	28	95
801-6	3/8	10	0.63	15,9	350	2.4	1000	6,8	3	75	0.11	0.16	28	95
801-8	1/2	12,5	0.78	19,8	300	2.1	1000	6,8	5	125	0.18	0.27	28	95
801-10	5/8	16	0.91	23,0	300	2.1	1000	6,8	6	150	0.19	0.28	15	51
801-12	3/4	19	1.03	26,2	300	2.1	1000	6,8	7	180	0.24	0.36	15	51
801-16	1	25	1.28	32,6	200	1.4	700	4,8	10	250	0.37	0.55	15	51



For inventory, lead times, and kit lookup, visit [www.pdnplu.com](http://www.pdnplu.com)

N30

**Parker Hannifin Corporation**  
Pneumatic Division  
Richland, Michigan  
[www.parker.com/pneumatics](http://www.parker.com/pneumatics)

Drains  
Lockout Valves  
AirGuard  
Mufflers  
Ball Valve / Plug Valves  
Quick Couplings  
Hose Products  
Fittings  
N  
Airline Accessories

**Advantages**

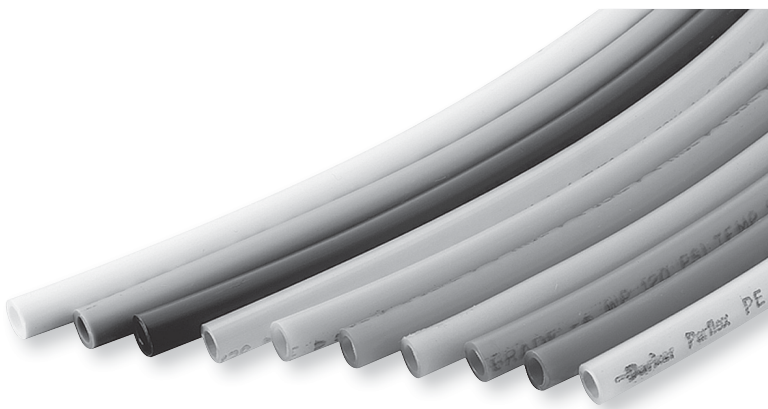
Chemical resistant, flexible, low cost, eight colors, five tube sizes and choice of reel lengths.

**Construction**

Flexible polyethylene thermoplastic tubing is extruded from high molecular weight resin for increased dimensional stability, uniformity and long-term strength. Its resistance to environmental stress cracking greatly exceeds that of ordinary polyethylene tubing as measured by ASTM D-1693, (10% IGEPAL).

**Applications & Approvals**

Polyethylene tubing is available in black as well as seven coding colors as recommended by the Instrument Society of America. Black (EB) tubing contains an ultra-violet inhibitor which is recommended for use in sunlit areas. Ingredients of natural and color tubing (except black) listed below meet FDA requirements for food contact applications. All tubing conforms to ASTM D-1248, Type I, Class A, Category 4, Grade E5.



**E Instrument Grade Tubing**

Part number	Color	O.D.	I.D.	Wall	Reel length feet	Working pressure psi at 73°F	Min. burst psi at 73°F	Min. bend radius inches	Weight per 100 feet
E-43-0100	Natural	1/4	.170	.040	100	120	625	1	1.1
E-43-0500	Natural	1/4	.170	.040	500	120	625	1	1.1
E-43-1000	Natural	1/4	.170	.040	1000	120	625	1	1.1
EB-43-0100	Black	1/4	.170	.040	100	120	625	1	1.1
EB-43-0500	Black	1/4	.170	.040	500	120	625	1	1.1
EB-43-1000	Black	1/4	.170	.040	1000	120	625	1	1.1
E-43-R-0100	Red	1/4	.170	.040	100	120	625	1	1.1
E-43-R-0500	Red	1/4	.170	.040	500	120	625	1	1.1
E-43-B-0100	Blue	1/4	.170	.040	100	120	625	1	1.1
E-43-B-0500	Blue	1/4	.170	.040	500	120	625	1	1.1
E-43-O-0500	Orange	1/4	.170	.040	500	120	625	1	1.1
E-43-Y-0500	Yellow	1/4	.170	.040	500	120	625	1	1.1
E-43-P-0500	Purple	1/4	.170	.040	500	120	625	1	1.1
E-43-G-0500	Green	1/4	.170	.040	500	120	625	1	1.1
E-53-0500	Natural	5/16	.187	.062	500	145	800	1-1/8	2.1
EB-53-0500	Black	5/16	.187	.062	500	145	800	1-1/8	2.1
E-64-0100	Natural	3/8	.250	.062	100	125	675	1-1/4	2.5
E-64-0500	Natural	3/8	.250	.062	500	125	675	1-1/4	2.5
EB-64-0100	Black	3/8	.250	.062	100	125	675	1-1/4	2.5
EB-64-0500	Black	3/8	.250	.062	500	125	675	1-1/4	2.5
E-64-R-0500	Red	3/8	.250	.062	500	125	675	1-1/4	2.5
E-64-B-0500	Blue	3/8	.250	.062	500	125	675	1-1/4	2.5
E-64-O-0500	Orange	3/8	.250	.062	500	125	675	1-1/4	2.5
E-64-Y-0500	Yellow	3/8	.250	.062	500	125	675	1-1/4	2.5
E-64-P-0500	Purple	3/8	.250	.062	500	125	675	1-1/4	2.5
E-64-G-0500	Green	3/8	.250	.062	500	125	675	1-1/4	2.5
E-86-0100	Natural	1/2	.375	.062	100	90	425	2-1/2	3.6
EB-86-0100	Black	1/2	.375	.062	100	90	425	2-1/2	3.6
E-108-0100	Natural	5/8	.500	.062	100	70	325	4	4.6
EB-108-0100	Black	5/8	.500	.062	Coil	70	325	4	4.6

**Operating information**

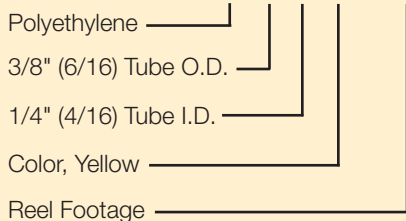
Temperature range: -80°F to 150°F (-62°C to 66°C)  
 Fitting recommendation: Brass fittings

**Nomenclature**

Part numbers are constructed from symbols that identify the style and size of the fitting. Letters identify style and material. Numbers identify size in 1/16's of an inch.

**Example:**

**E - 6 4 - Y - 0500**



Drains  
 Lockout Valves  
 AirGuard  
 Mufflers  
 Ball Valve / Plug Valves  
 Quick Couplings  
 Hose Products  
 Fittings  
 Airline Accessories



For inventory, lead time, and kit lookup, visit [www.pdnplu.com](http://www.pdnplu.com)

**Polyethylene Tubing**

Drains  
Lockout Valves  
AirGuard  
Mufflers  
Ball Valve / Plug Valves  
Quick Couplings  
Hose Products  
Fittings  
N  
Airline Accessories

**Construction & Approvals**

Flame resistant polyethylene is manufactured from a distinctively formulated compound which meets the UL94 V-2 flame classification. It also meets the flame spread, fuel contribution and smoke density requirements of the ASTM E84-81a tunnel test.

**Applications**

Parker series PEFR tubing is the preferred product for pneumatic control applications in the heating - ventilating - air conditioning - energy conservation industry. It is also suitable for use in petrochemical plants, petroleum refineries, pulp and paper mills, mines, steel mills and other industries where protection against intermittent flame and hot sparks is necessary.



**PEFR Flame Resistant Tubing**

Part number	Color	O.D.	I.D.	Wall	Reel length feet	Working pressure psi at 73°F	Min. burst psi at 73°F	Min. bend Radius Inches	Weight per 100 feet
PEFR-2.5-0500	Black	5/32	.096	.030	500	225	900	1/2	.56
PEFR-4-0500	Black	1/4	.170	.040	500	160	650	3/4	1.24
PEFR-4-1000	Black	1/4	.170	.040	1000	160	650	3/4	1.24
PEFR-6-0500	Black	3/8	.250	.062	500	195	780	1-1/2	2.90
PEFR-8-0250	Black	1/2	.375	.062	250	135	540	1-3/4	4.05

**Operating information**

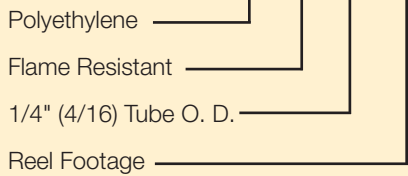
Temperature range: -85°F to 150°F (-65°C to 66°C)

**Nomenclature**

Order by tubing part number and name.

**Example:**

PE FR - 4 - 0500



For inventory, lead times, and kit lookup, visit [www.pdnplu.com](http://www.pdnplu.com)



**Advantages**

Flexible nylon tubing is carefully made from high-grade, abrasion-resistant, heat-and light-stabilized nylon. Resistance to stress-cracking greatly exceeds that of ordinary nylon tubing. Extremely low level water absorption.

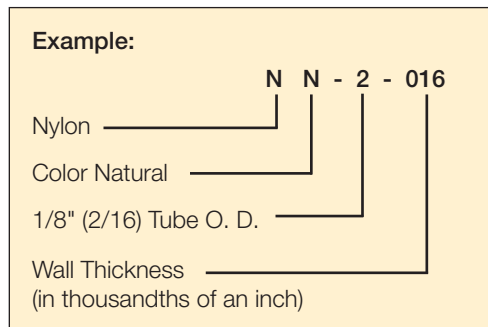
Chemical-resistant nylon tubing has the additional benefits of better flexibility, lighter weight and resistance to flexural fatigue.

**Colors**

Available in natural (NN) and black (NB). Black tubing is recommended for use outdoors and in sunlit areas.

**Nomenclature**

Order by tubing part number and name.



**N Flexible Tubing**

Nylon part number	Color	Nom. tube O.D.	Nom. tube I.D.	Average wall thick.	*Min. burst pressure at 73°F psi	Min. bend radius inches	Std. reel length feet
NN-2-016	Natural	1/8	.093	.016	1000	1/4	250
NB-2-016	Black	1/8	.093	.016	1000	1/4	250
NN-2-031	Natural	1/8	.064	.031	2000	1/4	250
NB-2-031	Black	1/8	.064	.031	2000	1/4	250
NN-2.5-025	Natural	5/32	.106	.025	1200	1/2	250
NB-2.5-025	Black	5/32	.106	.025	1200	1/2	250
NN-3-025	Natural	3/16	.138	.025	1000	5/8	250
NB-3-025	Black	3/16	.138	.025	1000	5/8	250
NN-3-046	Natural	3/16	.096	.046	2000	7/16	250
NB-3-046	Black	3/16	.096	.046	2000	7/16	250
NN-4-035	Natural	1/4	.180	.035	1000	7/8	250
NB-4-035	Black	1/4	.180	.035	1000	7/8	250
NN-4-040	Natural	1/4	.170	.040	1250	7/8	250
NB-4-040	Black	1/4	.170	.040	1250	7/8	250
NN-4-062	Natural	1/4	.127	.062	2000	1/2	250
NB-4-062	Black	1/4	.127	.062	2000	1/2	250
NN-5-040	Natural	5/16	.233	.040	1250	1-1/8	250
NB-5-040	Black	5/16	.233	.049	1250	1-1/8	250
NN-6-050	Natural	3/8	.275	.050	1250	1-1/8	250
NB-6-050	Black	3/8	.275	.050	1250	1-1/8	250
NN-6-093	Natural	3/8	.190	.093	2000	3/4	250
NB-6-093	Black	3/8	.190	.093	2000	3/4	250
NN-8-062	Natural	1/2	.375	.062	1000	1-1/4	250
NB-8-062	Black	1/2	.375	.062	1000	1-1/4	250
NN-8-124	Natural	1/2	.253	.124	2000	1	250
NB-8-124	Black	1/2	.253	.124	2000	1	250

\*Suggested working pressure is 1/4 of burst pressure.

Drains
Lockout Valves
AirGuard
Mufflers
Ball Valve / Plug Valves
Quick Couplings
Hose Products
Fittings
<b>N</b>
Airline Accessories



For inventory, lead time, and kit lookup, visit [www.pdnplu.com](http://www.pdnplu.com)

- Drains
- Lockout Valves
- AirGuard
- Mufflers
- Ball Valve / Plug Valves
- Quick Couplings
- Hose Products
- Fittings
- N
- Airline Accessories

**Advantages**

Series NR semi-rigid nylon tubing offers better chemical resistance than series N, good resistance to high ambient temperature and low moisture absorption. NR has a high tensile strength which will give excellent coupling retention in high pressure, temperature and vibration environments.

**Construction**

Parker series NR tubing is manufactured from a semi-rigid nylon II material. The tubing does not contain plasticizers.

**Applications & Approvals**

NR tubing is specified for machine tool lubricating systems, marine control systems, process lines for chemicals and oils and other applications requiring a high quality nylon tube.



**NR Semi-rigid High Strength Tubing**

Nylon part number	Color	Nom. tube O.D.	Nom. tube I.D.	Average wall thick.	*Min. burst pressure at 73°F psi	Min. bend radius inches	Std. reel length feet
NNR-2-017	Natural	1/8	.091	.017	1700	1/2	500
NBR-2-017	Black	1/8	.091	.017	1700	1/2	500
NNR-2-026	Natural	1/8	.073	.026	2500	3/8	500
NBR-2-026	Black	1/8	.073	.026	2500	3/8	500
NNR-3-024	Natural	3/16	.140	.024	1700	3/4	500
NBR-3-024	Black	3/16	.140	.024	1700	3/4	500
NNR-3-039	Natural	3/16	.110	.039	2500	5/8	500
NBR-3-039	Black	3/16	.110	.039	2500	5/8	500
NNR-4-035	Natural	1/4	.180	.035	1700	1	250
NBR-4-035	Black	1/4	.180	.035	1700	1	250
NNR-4-050	Natural	1/4	.150	.050	2500	7/8	250
NBR-4-050	Black	1/4	.150	.050	2500	7/8	250
NNR-5-040	Natural	5/16	.233	.040	1700	1-1/2	250
NBR-5-040	Black	5/16	.233	.040	1700	1-1/2	250
NNR-6-048	Natural	3/8	.279	.048	1700	1-3/4	250
NBR-6-048	Black	3/8	.279	.048	1700	1-3/4	250
NNR-6-075	Natural	3/8	.225	.075	2500	1-1/2	250
NBR-6-075	Black	3/8	.225	.075	2500	1-1/2	250
NNR-8-062	Natural	1/2	.376	.062	1500	2-3/8	250
NBR-8-062	Black	1/2	.376	.062	1500	2-3/8	250
NNR-8-075	Natural	1/2	.350	.075	2200	2-1/2	250
NBR-8-075	Black	1/2	.350	.075	2200	2-1/2	250

\*Suggested working pressure is 1/4 of burst pressure.

**Operating information**

Temperature range: -60°F to 200°F (-51°C to 93°C)

Fitting recommendation: Brass fittings

**Nomenclature**

Order by tubing part number and name.

**Example:**

N B R - 2 - 016

Nylon \_\_\_\_\_

Color, Black \_\_\_\_\_

Rigid \_\_\_\_\_

1/8" (2/16) Tube O.D. \_\_\_\_\_

Wall Thickness \_\_\_\_\_  
 (in thousandths of an inch)

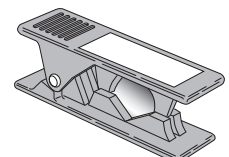
**PTC Plastic Tube Cutter**

**Part number PTC-001**

An easy to handle razor/edged tube cutter, closes automatically, assuring clean and square cuts. May be used with polyethylene, polypropylene, nylon and other plastic tubing.

**How To Use**

Insert plastic tube to desired length, allow tube cutter to close, then apply pressure until tube snaps off.



For inventory, lead times, and kit lookup, visit [www.pdnplu.com](http://www.pdnplu.com)

**Advantages**

Polyurethane tubing is a high quality, precision-made tubing used in a wide range of demanding and critical applications.

Polyether based, polyurethane tubing occupies a unique position among polymers, sharing the best properties of both rubber and plastic. Urethane exhibits the elongation and recovery characteristics of rubber and the chemical resistance associated with plastics. The tubing is tough, strong, kink-resistant and abrasion resistant, yet it's flexible and easy to assemble onto designated fittings.

- Tough
- Flexible
- Broad temperature range
- Eight colors
- Abrasion resistant
- Chemical resistant

**Applications & Approvals**

Polyurethane tubing is used for a wide variety of applications. Typical usage includes air tools, robotics, pneumatic logic and actuation systems, analytical instrumentation, vacuum equipment, pressure measurement apparatus, semi-conductor equipment manufacturers and a variety of medical and laboratory applications.

**Nomenclature**

Order by tubing part number and name.

**Example:**

**U - 2 1 - BLK - 0250**

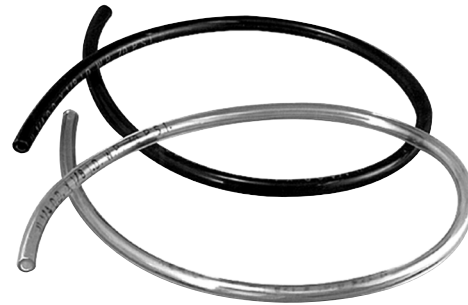
Polyurethane \_\_\_\_\_

1/8" (2/16) Tube O.D. \_\_\_\_\_

1/6" (1/16) Tube I.D. \_\_\_\_\_

Color - Black \_\_\_\_\_

Reel Length in Feet \_\_\_\_\_



**U Polyether Base Tubing**

Part number*	Nom. tube O.D.	Nom. tube I.D.	Wall thick.	Working** (PSI)	Burst pressure (PSI)	Reel length feet
U-21-xxx-0500	1/8	1/16	1/32	125	375	500
U-21-xxx-0250	1/8	1/16	1/32	125	375	250
U-42-xxx-0500	1/4	1/8	1/16	125	375	500
U-42-xxx-0250	1/4	1/8	1/16	125	375	250
U-64-xxx-0250	3/8	1/4	1/16	125	375	250
U-64-xxx-0100	3/8	1/4	1/16	125	375	100 (coil)
U-86-xxx-0250	1/2	3/8	1/16	85	255	250
U-86-xxx-0100	1/2	3/8	1/16	85	255	100 (coil)

\* xxx = Colors: Clear-Blank, Black-BLK, Green-GRN, Red-RED, Yellow-YEL, Blue-BLU, Orange-ORG, Gray-GRA  
 \*\* Based on a full 4:1 safety factor.

Drains
Lockout Valves
AirGuard
Mufflers
Ball Valve / Plug Valves
Quick Couplings
Hose Products
Fittings
<b>N</b>
Airline Accessories



For inventory, lead time, and kit lookup, visit [www.pdnplu.com](http://www.pdnplu.com)

**Push-on Hose Fittings**

**Advantages**

Push-on Hose Fittings are machined from the highest quality brass or stainless steel. The barbs are specifically engineered to work in conjunction with the I.D. and braid angle of Push-on Hose, ensuring a tight connection **without clamps**.

**Assembly**

Push-on Hose Fittings are designed only for use with Push-on Hose. Do not use with any other style or manufacturer of hose.

**Assembly Instructions:**

1. Cut hose cleanly and squarely to length.
2. Lubricate hose I.D. and barbs with light oil or soapy water.
3. Push the hose onto the fitting until it bottoms against the yellow stop ring. This ensures that all of the barbs are engaged with the hose and will also help keep the end of the hose from fraying.
4. **CAUTION: Use of clamps may damage sealing integrity of Hose and Fitting Assembly.**

**Nomenclature**

Part numbers are constructed from symbols that identify the style, size and material of the fitting.

**Example:**

301 82 - 4 - 4 B

Male Connector \_\_\_\_\_

Push-on Series \_\_\_\_\_

Pipe Thread Size \_\_\_\_\_  
(4/16) 1/4" Pipe

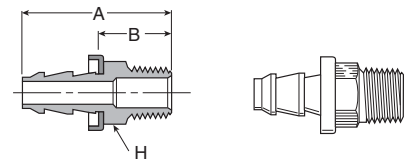
Hose I.D. Size \_\_\_\_\_  
(4/16) 1/4" I.D.

Brass Material \_\_\_\_\_  
(Blank Steel)



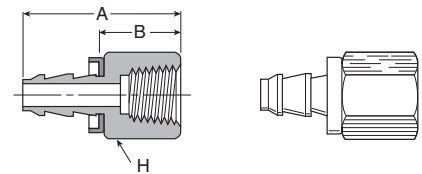
**Operating information**

Pressure range: Limited by hose I.D.  
Temperature range: -40°F to 180°F (-40°C to 82°C)



**30182 Push-on Hose Barb to Male Pipe**

#	Thread Inch	Hose size Inch	A		H		B	
			Inch	mm	Inch	Inch	mm	
30182-2-4B	1/8 x 27 -2	1/4 -4	1.39	35	7/16	.64	16	
30182-4-4B	1/4 x 18 -4	1/4 -4	1.57	40	9/16	.82	21	
30182-4-6B	1/4 x 18 -4	3/8 -4	1.78	45	9/16	.88	22	
30182-6-6B	3/8 x 18 -6	3/8 -6	1.78	45	11/16	.88	22	
30182-8-6B	1/2 x 14 -8	3/8 -6	2.03	52	7/8	1.13	29	
30182-6-8B	3/8 x 18 -6	1/2 -8	1.93	49	11/16	.88	22	
30182-8-8B	1/2 x 14 -8	1/2 -8	2.18	55	7/8	1.13	29	
30182-8-10B	1/2 x 14 -8	5/8 -10	2.58	66	7/8	1.13	29	
30182-12-8B	3/4 x 14 -12	1/2 -8	2.21	56	1-1/16	1.16	29	
30182-12-12B	3/4 x 14 -12	3/4 -12	2.61	66	1-1/16	1.16	29	



**30282 Push-on Hose Barb to Female Pipe**

#	Thread Inch	Hose size Inch	A		H		B	
			Inch	mm	Inch	Inch	mm	
30282-4-4B	1/4 x 18 -4	1/4 -4	1.56	40	3/4	.81	21	
30282-6-6B	3/8 x 18 -6	3/8 -6	1.82	46	7/8	.92	23	
30282-8-8B	1/2 x 14 -8	1/2 -8	2.16	55	1-1/16	1.11	28	

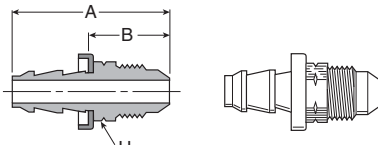
- Drains
- Lockout Valves
- AirGuard
- Mufflers
- Ball Valve / Plug Valves
- Quick Couplings
- Hose Products
- Fittings
- N Airline Accessories



For inventory, lead times, and kit lookup, visit [www.pdnplu.com](http://www.pdnplu.com)

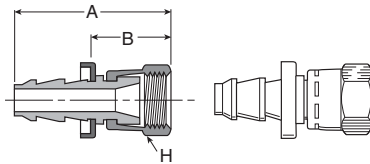
**Push-on Hose Fittings**

**Air Preparation Products  
Accessories**



**30482 Push-on Hose Barb to Male SAE 45°**

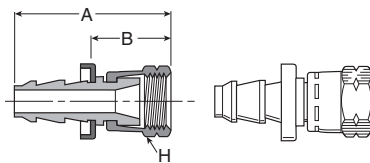
Part number	Thread Inch	Hose size Inch	A		H		B	
			Inch	mm	Inch	mm	Inch	mm
30482-4-4B	1/4 7/16 x 20 -4	1/4 -4	1.51	38	7/16	0.76	19	
30482-5-4B	5/16 1/2 x 20 -5	1/4 -4	1.61	41	9/16	0.86	22	
30482-6-6B	3/8 5/8 x 18 -6	3/8 -6	1.84	47	5/8	0.94	24	
30482-8-8B	1/2 3/4 x 16 -8	1/2 -8	2.15	55	3/4	1.1	28	



**30682 Push-on Hose Barb to Female SAE JIC 37° Swivel**

Part number	Thread Inch	Hose size Inch	A		H		B	
			Inch	mm	Inch	mm	Inch	mm
30682-4-4B	1/4 7/16 x 20 -4	1/4 -4	1.52	39	9/16	0.77	20	
30682-5-4B	5/16 1/2 x 12 -5	1/4 -4	1.58	40	5/8	0.83	21	
30682-6-6B	3/8 9/16 x 18 -6	1/4 -4	1.61	41	11-16	0.86	22	
30682-8-6B*	1/2 3/4 x 16 -8	3/8 -6	1.87	47	7/8	0.97	25	
30682-8-8B	1/2 3/4 x 16 -8	1/2 -8	2.02	51	7/8	0.97	25	
30682-10-8B*	5/8 7/8 x 14 -10	1/2 -8	2.14	54	1	1.09	28	
30682-10-10B	5/8 7/8 x 14 -10	5/8 -10	2.54	65	1	1.09	28	
30682-12-12B	3/4 1-1/16 x 12 -12	3/4 -12	2.65	67	1-1/4	1.2	30	

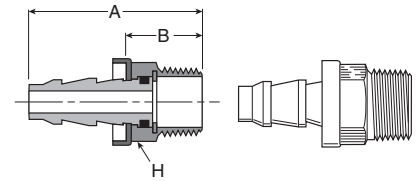
\* 30682-8-6B & 30682-10-8B are dual 37/45 degree.



**30882 Push-on Hose Barb to Female SAE 45° Swivel**

Part number	Thread Inch	Hose size Inch	A		H		B	
			Inch	mm	Inch	mm	Inch	mm
30882-4-4B	1/4 7/16 x 20 -4	1/4 -4	1.52	39	9/16	0.76	19	
30882-5-4B	5/16 1/2 x 20 -5	1/4 -4	1.58	40	5/8	0.83	21	
30882-6-6B	3/8 5/8 x 18 -6	3/8 -6	1.81	46	3/4	0.91	23	
30682-8-6B*	1/2 3/4 x 16 -8	3/8 -6	1.87	47	7/8	0.97	25	
30882-8-8B	1/2 3/4 x 16 -8	1/2 -8	2.02	51	7/8	0.97	25	
30682-10-8B*	5/8 7/8 x 14 -10	1/2 -8	2.14	54	1	1.09	28	
30882-10-10B	5/8 7/8 x 14 -10	5/8 -10	2.54	65	1	1.09	28	
30882-12-12B	3/4 1-1/16 x 14 -12	3/4 -12	2.65	67	1-1/4	1.19	30	

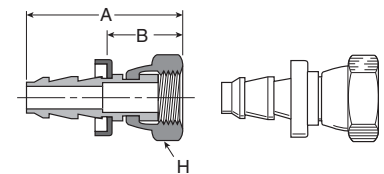
\* 30682-8-6B & 30682-10-8B are dual 37/45 degree.



**31382 Push-on Hose Barb to Male Pipe Swivel**

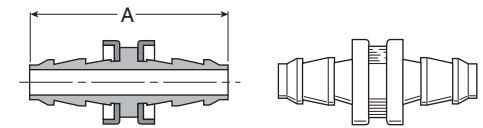
Part number	Thread Inch	Hose size Inch	A		H		B	
			Inch	mm	Inch	mm	Inch	mm
31382-4-4	1/4 x 18 -4	1/4 -4	1.6	41	9/16	.85	22	
31382-6-6	3/8 x 18 -6	3/8 -6	1.79	45	11/16	.89	23	
31382-8-8*	1/2 x 14 -8	1/2 -8	2.2	56	7/8	1.15	29	

\* Steel



**37G82 Push-on Hose Barb to Female Pipe (NPSM) Swivel with Gasket**

Part number	Gasket	Thread Inch	Hose size Inch	A		H		B	
				Inch	mm	Inch	mm	Inch	mm
37G82-4-4	07G-4	1/4-18 -4	1/4 -4	1.55	39	11/16	0.80	20	
37G82-4-6	07G-4	1/4-18 -4	3/8 -6	1.7	43	11/16	0.80	20	
37G82-6-6	07G-6	3/8-18 -6	3/8 -6	1.75	44	7/8	0.85	22	
37G82-8-8	07G-8	1/2-14 -8	1/2 -8	2.07	53	1	1.02	26	
37G82-8-10	07G-8	1/2-14 -8	5/8 -10	2.47	63	1	1.02	26	
37G82-12-12	07G-12	3/4-14 -12	3/4 -12	2.54	65	1-1/4	1.09	28	



**38282 Push-on Hose Barb Union**

Part number	Hose size Inch	A	
		Inch	mm
38282-4-4B	1/4 -4	1.80	46
38282-6-6B	3/8 -6	2.15	55
38282-8-8B	1/2 -8	2.51	64



For inventory, lead time, and kit lookup, visit [www.pdnplu.com](http://www.pdnplu.com)

Drains

Lockout  
Valves

AirGuard

Mufflers

Ball Valve /  
Plug Valves

































Quick  
Couplings

Hose  
Products

Fittings

**N**

Airline  
Accessories

Drains	<b>Tube to Male NPTF</b>	<b>W369PLP</b> Male Elbow  Page N41	<b>W369PLPX</b> Extended Male Elbow  Page N42	<b>W379PLP</b> Male Elbow 45°  Page N42	<b>W372PLP</b> Branch Tee Swivel  Page N43	<b>W371PLP</b> Male Run Tee Swivel  Page N44	
	Lockout Valves	<b>W68PLPSP</b> Male Standpipe  Page N45	<b>W368PLP</b> Male Y Connector  Page N45	<b>Tube to Tube</b>		<b>32PLP</b> Equal Union  Page N47	<b>365PLP</b> Union Elbow  Page N47
AirGuard	<b>362PLP</b> Union Y Connector  Page N48	<b>362PLPD</b> Double Y Connector  Page N49	<b>24PLP</b> Multiple Tee  Page N49	<b>24PLPD</b> Double Multiple Tee  Page N49	<b>347PLP</b> Equal Cross  Page N50	<b>32PLPRC</b> Connector for 2 Tubes  Page N54	
Mufflers	<b>Tube to Female NPTF</b>		<b>377PLP</b> Female Branch Tee Swivel  Page N43	<b>370PLP</b> Female Elbow Swivel  Page N46			
Ball Valve / Plug Valves	<b>Bulkhead Unions</b>	<b>32PLPBH</b> Bulkhead Union  Page N49	<b>365PLPBH</b> Equal Bulkhead Elbow  Page N49	<b>Plug-Ins</b>		<b>369PLPSP</b> Plug-In Elbow  Page N50	<b>369PLPSPX</b> Extended Plug-In Elbow  Page N51
Quick Couplings	<b>379PLPSP</b> 45° Plug-In Elbow  Page N51	<b>372PLPSP</b> Plug-In Branch Tee  Page N51	<b>371PLPSP</b> Plug-In Run Tee  Page N51	<b>362PLPSP</b> Plug-In Y  Page N52	<b>67PLP</b> Tube End Reducer  Page N53	<b>32PLPSP</b> Tube Expander  Page N53	
Hose Products	<b>322PLPSP</b> Barbed Connector  Page N54	<b>Auxiliary Components</b>		<b>63PLP</b> Double Male Union  Page N52	<b>639PLP</b> Plug  Page N53		
Fittings	<b>Metric Tube to Male NPTF</b>		<b>W369PLP</b> Male Elbow  Page N41	<b>W372PLP</b> Male Branch Tee Swivel  Page N43			
Airline Accessories							



For inventory, lead times, and kit lookup, visit [www.pdnplu.com](http://www.pdnplu.com)

<b>Metric Tube to Metric Tube</b>	<b>32PLP</b> Union  Page N47	<b>365PLP</b> Union Elbow  Page N47	<b>364PLP</b> Union Tee  Page N48	<b>362PLP</b> Union Y Connector  Page N48	<b>362PLPD</b> Double Y Connector  Page N49
	<b>24PLP</b> Multiple Tee  Page N49	<b>24PLPD</b> Double Multiple Tee  Page N50	<b>347PLP</b> Cross  Page N50	<b>32PLPRC</b> Connector for 2 Tubes  Page N54	<b>32PLPDRC</b> Connector for 3 Tubes  Page N54
<b>Metric Bulkhead Unions</b>	<b>32PLPBH</b> Bulkhead Union  Page N49	<b>365PLPBH</b> Equal Bulkhead Elbow  Page N49	<b>Metric Tube to Female BSPP</b>		<b>370PLP</b> Female Elbow  Page N46
	<b>Metric Tube to Male BSPP</b>	<b>369PLP</b> Male Elbow  Page N41	<b>369PLPX</b> Male Elbow  Page N42	<b>379PLP</b> 45° Male Elbow  Page N42	<b>372PLP</b> Male Branch Tee  Page N43
<b>68PLPSP</b> Male Standpipe  Page N45		<b>368PLP</b> Male Y Connector  Page N45	<b>368PLPD</b> Double Y Male Connector  Page N46	<b>Metric Tube to Metric Straight Thread</b>	
<b>379PLP</b> 45° Male Elbow  Page N42	<b>372PLP</b> Male Branch Tee  Page N43	<b>371PLP</b> Male Run Tee  Page N44	<b>68PLPSP</b> Male Standpipe  Page N45	<b>368PLP</b> Male Y Connector  Page N45	
<b>Metric Plug-Ins</b>	<b>369PLPSP</b> Plug-In Elbow  Page N50	<b>369PLPXSP</b> Extended Plug-In Elbow  Page N51	<b>379PLPSP</b> 45° Plug-In Elbow  Page N51	<b>372PLPSP</b> Plug-In Branch Tee  Page N51	<b>371PLPSP</b> Plug-In Run Tee  Page N52
	<b>362PLPSP</b> Plug-In Y  Page N52	<b>362PLPSPD</b> Plug-In Multiple Y  Page N52	<b>67PLP</b> Tube End Reducer  Page N53	<b>32PLPSP</b> Tube Expander  Page N53	<b>322PLPSP</b> Barbed Connector  Page N54

Drains
Lockout Valves
AirGuard
Mufflers
Ball Valve / Plug Valves
Quick Couplings
Hose Products
Fittings
<b>N</b>
Airline Accessories



For inventory, lead time, and kit lookup, visit [www.pdnplu.com](http://www.pdnplu.com)

## Push-on Hose Fittings

A compact one piece push-to-connect fitting. All items in the Prestolok composite range are silicone free. The stainless steel gripping ring ensures excellent tube retention while the D seal within the fitting provides a positive seal on the O.D. of the tube, in both static and dynamic positions, due to an optimized design of the fitting cavity. Prestolok composite should not be used for live swivel applications.

### Assembly Instructions

1. Achieve a square cut edge with a tube cutter
2. Simply push the tubing until it can go no further. Holding and sealing is accomplished instantaneously.
3. Pull on the tubing to verify gripping action
4. To disassemble make sure there is no air flow
5. Depress the manual push button, then pull the tube out.



### Nomenclature

**Example:**

W 3 69 PLP - 4 - 2

White thread sealant	—	W						
Composite body	—		3	69				
Male elbow	—				PLP			
Prestolok	—							
1/4" (4/16) Tube O.D.	—						4	
1/8" (2/16) Pipe Thread	—							2

Operating information	
Gripping ring:	-4°F to 175°F at up to 290 psi depending on tubing
Collet technology:	5°F to 155°F at up to 260 psi depending on tubing
Vacuum capability	28" Hg
Applicable tube O.D.	inch 1/8, 5/32, 3/16, 1/4, 5/16, 3/8, 1/2 mm 3, 4, 6, 8, 10, 12, 14

### Recommended Tubing

Prestolok composite fittings are designed to be used with the following tubing.

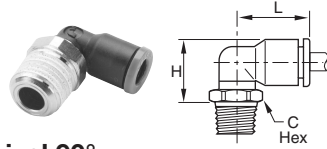
- Nylon semi-rigid
- Polyurethane
- Nylon
- Fluoropolymer

Drains
Lockout Valves
AirGuard
Mufflers
Ball Valve / Plug Valves
Quick Couplings
Hose Products
Fittings
<b>N</b>
Airline Accessories



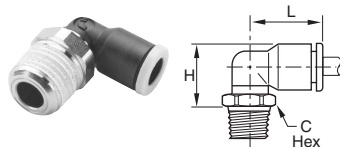
For inventory, lead times, and kit lookup, visit [www.pdnplu.com](http://www.pdnplu.com)





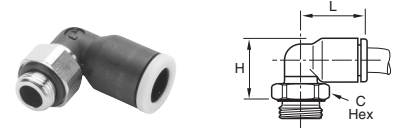
**W369PLP Male Elbow Swivel 90°**

Part number	Tube size (In.)	Thread NPT / UNF	C Hex (mm)	L	H
369PLP-2-0	1/8	10-32	8	0.57	0.52
W369PLP-2-1	1/8	1/16	10	0.57	0.53
W369PLP-2-2	1/8	1/8	11	0.57	0.53
W369PLP-2-4	1/8	1/4	14	0.57	0.55
369PLP-5/32-0	5/32	10-32	8	0.55	0.53
W369PLP-5/32-2	5/32	1/8	11	0.55	0.53
W369PLP-5/32-4	5/32	1/4	14	0.55	0.55
W369PLP-3-2	3/16	1/8	11	0.85	0.67
369PLP-4-0	1/4	10-32	11	0.71	0.63
W369PLP-4-2	1/4	1/8	11	0.71	0.67
W369PLP-4-4	1/4	1/4	14	0.71	0.63
W369PLP-4-6	1/4	3/8	18	0.71	0.65
W369PLP-5-2	5/16	1/8	11	0.91	0.75
W369PLP-5-4	5/16	1/4	14	0.91	0.71
W369PLP-5-6	5/16	3/8	18	0.91	0.73
W369PLP-6-2	3/8	1/8	15	1.08	0.91
W369PLP-6-4	3/8	1/4	15	1.08	0.91
W369PLP-6-6	3/8	3/8	18	1.08	0.87
W369PLP-6-8	3/8	1/2	22	1.08	0.91
W369PLP-8-4	1/2	1/4	20	1.38	1.22
W369PLP-8-6	1/2	3/8	20	1.38	1.22
W369PLP-8-8	1/2	1/2	24	1.38	1.12



**W369PLP Male Elbow**

Part number	Tube Size (mm)	Thread NPT	C Hex (mm)	H	L
W369PLP-4M-2	4	1/8	11	0.5	0.6
W369PLP-4M-4	4	1/4	14	0.6	0.6
W369PLP-6M-2	6	1/8	11	0.6	0.6
W369PLP-6M-4	6	1/4	14	0.6	0.6
W369PLP-8M-2	8	1/8	11	0.8	0.9
W369PLP-8M-4	8	1/4	14	0.7	0.9
W369PLP-8M-6	8	3/8	18	0.7	0.9
W369PLP-10M-4	10	1/4	15	0.9	1.0
W369PLP-10M-6	10	3/8	18	0.9	1.0
W369PLP-10M-8	10	1/2	22	0.9	1.0
W369PLP-12M-6	12	3/8	18	1.0	1.2
W369PLP-12M-8	12	1/2	22	1.0	1.2



**369PLP Male Elbow - BSPP**

Part number	Tube size (mm)	BSPP / metric	C Hex (mm)	H	L
369PLP-3M-M3	3	M3x0.5	8	15.0	14.5
369PLP-3M-M5	3	M5x0.8	8	13.5	14.5
369PLP-4M-M3	4	M3x0.5	8	15.0	14.5
369PLP-4M-M5	4	M5x0.8	8	13.5	14.0
369PLP-4M-M7	4	M7x1	10	15.0	14.0
369PLP-4M-2G	4	1/8	13	13.0	14.0
369PLP-4M-4G	4	1/4	16	13.0	14.0
369PLP-6M-M5	6	M5x0.8	8	15.5	16.0
369PLP-6M-M7	6	M7x1	10	17.5	16.0
369PLP-6M-M10	6	M10x1	13	15.0	14.0
369PLP-6M-M12	6	M12x1.5	15	15.0	16.0
369PLP-6M-2G	6	1/8	13	15.0	16.0
369PLP-6M-4G	6	1/4	16	15.0	16.0
369PLP-6M-6G	6	3/8	20	15.5	16.0
369PLP-6M-8G	6	1/2	24	16.0	16.0
369PLP-8M-M10	8	M10x1	13	20.5	23.0
369PLP-8M-M12	8	M12x1.5	15	19.5	23.0
369PLP-8M-2G	8	1/8	13	20.5	23.0
369PLP-8M-4G	8	1/4	16	18.5	23.0
369PLP-8M-6G	8	3/8	20	18.5	23.0
369PLP-8M-8G	8	1/2	24	19.0	23.0
369PLP-10M-4G	10	1/4	16	23.5	26.5
369PLP-10M-6G	10	3/8	20	22.0	26.5
369PLP-10M-8G	10	1/2	24	22.0	26.5
369PLP-12M-4G	12	1/4	16	26.5	31.0
369PLP-12M-6G	12	3/8	20	25.0	31.0
369PLP-12M-8G	12	1/2	24	25.0	31.0
369PLP-14M-6G	14	3/8	20	32.5	35.5
369PLP-14M-8G	14	1/2	24	27.0	35.5

Drains

Lockout Valves

AirGuard

Mufflers

Ball Valve / Plug Valves

Quick Couplings

Hose Products

Fittings

Airline Accessories

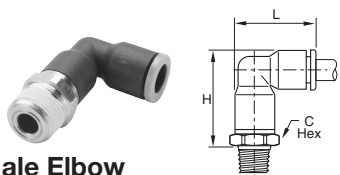


For inventory, lead time, and kit lookup, visit [www.pdnplu.com](http://www.pdnplu.com)

# Prestolok Composite Fittings

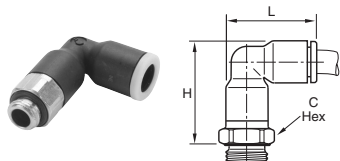
# Air Preparation Products Accessories

- Drains
- Lockout Valves
- AirGuard
- Mufflers
- Ball Valve / Plug Valves
- Quick Couplings
- Hose Products
- Fittings
- N** Airline Accessories



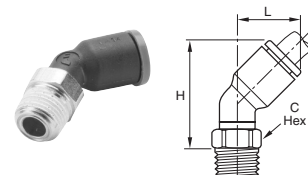
### W369PLPX Extended Male Elbow

Part number	Tube size (In.)	Thread NPT / UNF	C Hex (mm)	H	L
369PLPX-2-0	1/8	10-32	8	0.91	0.75
W369PLPX-2-2	1/8	1/8	11	0.91	0.75
W369PLPX-2-4	1/8	1/4	14	0.93	0.75
369PLPX-5/32-0	5/32	10-32	8	0.91	0.75
W369PLPX-5/32-2	5/32	1/8	11	0.91	0.75
W369PLPX-5/32-4	5/32	1/4	14	0.93	0.75
369PLPX-4-0	1/4	10-32	11	1.10	0.93
369PLPX-4-M7	1/4	M7	9	1.17	0.93
W369PLPX-4-2	1/4	1/8	11	1.12	0.93
W369PLPX-4-4	1/4	1/4	14	1.08	0.93
W369PLPX-4-6	1/4	3/8	17	1.12	0.93
W369PLPX-5-2	5/16	1/8	13	1.32	1.16
W369PLPX-5-4	5/16	1/4	14	1.28	1.16
W369PLPX-6-2	3/8	1/8	17	1.40	1.34
W369PLPX-6-4	3/8	1/4	17	1.41	1.33
W369PLPX-6-6	3/8	3/8	18	1.45	1.33



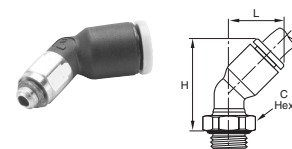
### 369PLPX Male Elbow - BSPP

Part number	Tube size (mm)	BSPP / Metric	C Hex (mm)	H
369PLPX-4M-M5	4	M5x0.8	8	23.0
369PLPX-4M-M7	4	M7x1	10	22.5
369PLPX-4M-2G	4	1/8	13	22.5
369PLPX-4M-4G	4	1/4	16	22.5
369PLPX-6M-M5	6	M5x0.8	10	27.5
369PLPX-6M-M7	6	M7x1	10	26.0
369PLPX-6M-2G	6	1/8	13	27.0
369PLPX-6M-4G	6	1/4	16	27.0
369PLPX-8M-2G	8	1/8	13	36.0
369PLPX-8M-4G	8	1/4	16	33.0
369PLPX-8M-6G	8	3/8	20	33.0
369PLPX-10M-4G	10	1/4	16	40.5
369PLPX-10M-6G	10	3/8	20	40.5
369PLPX-10M-8G	10	1/2	24	40.5
369PLPX-12M-4G	12	1/4	19	44.5
369PLPX-12M-6G	12	3/8	20	42.0
369PLPX-12M-8G	12	1/2	24	42.0
369PLPX-14M-6G	14	3/8	22	51.0
369PLPX-14M-8G	14	1/2	24	48.5



### W379PLP Male Elbow 45°

Part number	Tube size (In.)	Thread NPT / UNF	C Hex (mm)	H	L
379PLP-2-0	1/8	10-32	8	0.91	0.49
W379PLP-2-2	1/8	1/8	11	0.81	0.49
W379PLP-4-2	1/4	1/8	11	0.98	0.57
W379PLP-4-4	1/4	1/4	14	0.98	0.57
W379PLP-4-M7	1/4	M7	9	1.14	0.57
W379PLP-6-4	3/8	1/4	17	1.36	0.91
W379PLP-6-6	3/8	3/8	18	1.36	0.91

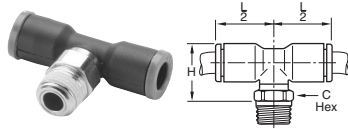


### 379PLP 45° Male Elbow - BSPP

Part number	Tube size (mm)	BSPP / M5	C Hex (mm)	H	L
379PLP-4M-M5	4	M5x0.8	8	23.0	13.0
379PLP-4M-2G	4	1/8	13	25.0	13.0
379PLP-6M-M5	6	M5x0.8	8	30.0	14.5
379PLP-6M-2G	6	1/8	13	28.5	14.5
379PLP-6M-4G	6	1/4	16	29.5	14.5
379PLP-8M-2G	8	1/8	13	36.0	19.5
379PLP-8M-4G	8	1/4	16	34.5	19.5
379PLP-8M-6G	8	3/8	20	34.5	19.5
379PLP-10M-4G	10	1/4	16	40.5	23.0
379PLP-10M-6G	10	3/8	20	39.0	23.0
379PLP-10M-8G	10	1/2	24	41.0	23.0
379PLP-12M-4G	12	1/4	16	46.0	26.0
379PLP-12M-6G	12	3/8	20	44.5	26.0
379PLP-12M-8G	12	1/2	24	46.0	26.0

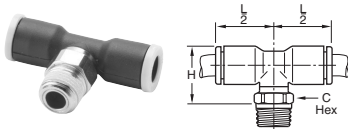


For inventory, lead times, and kit lookup, visit [www.pdnplu.com](http://www.pdnplu.com)



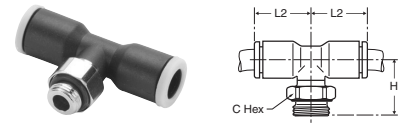
**W372PLP Male Branch Tee Swivel**

Part number	Tube size (In.)	Thread NPT / UNF	C Hex (mm)	L/2	H
W372PLP-2-0	1/8	10-32	8	0.57	0.61
W372PLP-2-1	1/8	1/16	10	0.57	0.61
W372PLP-2-2	1/8	1/8	11	0.57	0.61
W372PLP-2-4	1/8	1/4	14	0.57	0.63
W372PLP-5/32-0	5/32	10-32	8	0.55	0.71
W372PLP-5/32-2	5/32	1/8	11	0.55	0.61
W372PLP-5/32-4	5/32	1/4	14	0.55	0.63
W372PLP-3-2	3/16	1/8	11	0.85	0.67
W372PLP-4-2	1/4	1/8	11	0.71	0.67
W372PLP-4-4	1/4	1/4	14	0.71	0.63
W372PLP-4-6	1/4	3/8	18	0.71	0.65
W372PLP-5-2	5/16	1/8	11	0.91	0.87
W372PLP-5-4	5/16	1/4	14	0.91	0.83
W372PLP-5-6	5/16	3/8	18	0.91	0.85
W372PLP-6-2	3/8	1/8	15	1.04	0.99
W372PLP-6-4	3/8	1/4	15	1.04	0.99
W372PLP-6-6	3/8	3/8	18	1.04	0.95
W372PLP-6-8	3/8	1/2	22	1.04	0.98
W372PLP-8-4	1/2	1/4	20	1.38	1.22
W372PLP-8-6	1/2	3/8	20	1.38	1.22
W372PLP-8-8	1/2	1/2	24	1.38	1.21



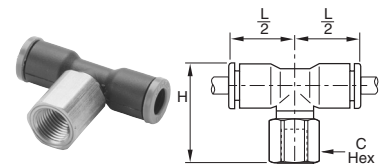
**W372PLP Male Branch Tee - NPT**

Part number	Tube size (mm)	NPT	C Hex (mm)	H	L/2
W372PLP-4M-2	4	1/8	11	0.61	0.55
W372PLP-4M-4	4	1/4	14	0.63	0.55
W372PLP-6M-2	6	1/8	11	0.69	0.63
W372PLP-6M-4	6	1/4	14	0.71	0.63
W372PLP-8M-2	8	1/8	11	0.87	0.91
W372PLP-8M-4	8	1/4	14	0.83	0.91
W372PLP-8M-6	8	3/8	18	0.85	0.91
W372PLP-10M-4	10	1/4	15	0.98	1.04
W372PLP-10M-6	10	3/8	18	0.95	1.04
W372PLP-10M-8	10	1/2	22	0.98	1.04
W372PLP-12M-6	12	3/8	18	1.06	1.22
W372PLP-12M-8	12	1/2	22	0.98	1.22



**372PLP Male Branch Tee - BSPP**

Part number	Tube size (mm)	BSPP / M5	C Hex (mm)	H	L/2
372PLP-4M-M5	4	M5x0.8	8	17.5	14.0
372PLP-4M-2G	4	1/8	13	15.0	14.0
372PLP-4M-4G	4	1/4	16	15.0	14.0
372PLP-6M-M5	6	M5x0.8	8	19.5	16.0
372PLP-6M-2G	6	1/8	13	17.0	16.0
372PLP-6M-4G	6	1/4	16	17.0	16.0
372PLP-8M-2G	8	1/8	13	23.5	23.0
372PLP-8M-4G	8	1/4	16	21.5	23.0
372PLP-8M-6G	8	3/8	20	21.5	23.0
372PLP-10M-4G	10	1/4	16	26.0	26.5
372PLP-10M-6G	10	3/8	20	24.0	26.5
372PLP-10M-8G	10	1/2	24	24.0	26.5
372PLP-12M-4G	12	1/4	16	29.0	31.0
372PLP-12M-6G	12	3/8	20	27.0	31.0
372PLP-12M-8G	12	1/2	24	27.0	31.0
372PLP-14M-6G	14	3/8	20	32.5	35.5
372PLP-14M-8G	14	1/2	24	27.0	35.5



**377PLP Female Branch Tee Swivel**

Part number	Tube size (In.)	Thread NPT / UNF	C Hex (mm)	L/2	H
377PLP-2-2	1/8	1/8	13	0.57	0.99
377PLP-5/32-2	5/32	1/8	13	0.55	0.91
377PLP-5/32-4	5/32	1/4	16	0.55	1.08
377PLP-4-2	1/4	1/8	13	0.71	1.02
377PLP-4-4	1/4	1/4	16	0.71	1.18
377PLP-5-2	5/16	1/8	13	0.91	1.24
377PLP-5-4	5/16	1/4	16	0.91	1.40
377PLP-6-4	3/8	1/4	16	1.04	1.60
377PLP-8-6	1/2	3/8	22	1.38	1.88



For inventory, lead time, and kit lookup, visit [www.pdnplu.com](http://www.pdnplu.com)

Drains

Lockout Valves

AirGuard

Mufflers

Ball Valve / Plug Valves

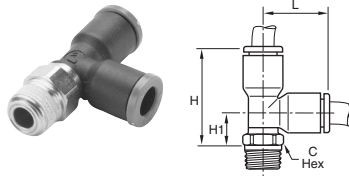
Quick Couplings

Hose Products

Fittings

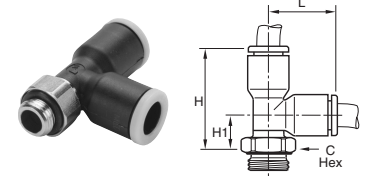
**N**  
Airline Accessories

Drains
Lockout Valves
AirGuard
Mufflers
Ball Valve / Plug Valves
Quick Couplings
Hose Products
Fittings
<b>N</b>
Airline Accessories



**W371PLP Male Run Tee Swivel**

Part number	Tube size (in.)	Thread NPT / UNF	C Hex (mm)	L	H	H1
371PLP-2-0	1/8	10-32	8	0.57	0.92	0.35
W371PLP-2-1	1/8	1/16	10	0.57	0.93	0.35
W371PLP-2-2	1/8	1/8	11	0.57	0.93	0.35
371PLP-5/32-0	5/32	10-32	8	0.57	1.02	0.45
W371PLP-5/32-2	5/32	1/8	11	0.57	0.93	0.53
W371PLP-5/32-4	5/32	1/4	14	0.57	0.94	0.37
W371PLP-3-2	3/16	1/8	11	0.85	1.31	0.45
W371PLP-4-2	1/4	1/8	11	0.69	1.16	0.45
W371PLP-4-4	1/4	1/4	14	0.69	1.12	0.41
W371PLP-4-6	1/4	3/8	18	0.69	1.14	0.43
W371PLP-5-2	5/16	1/8	11	0.91	1.38	0.49
W371PLP-5-4	5/16	1/4	14	0.91	1.34	0.45
W371PLP-5-6	5/16	3/8	18	0.91	1.36	0.47
W371PLP-6-2	3/8	1/8	15	1.04	1.63	0.60
W371PLP-6-4	3/8	1/4	15	1.04	1.63	0.60
W371PLP-6-6	3/8	3/8	18	1.04	1.60	0.55
W371PLP-6-8	3/8	1/2	22	1.04	1.63	0.59
W371PLP-8-4	1/2	1/4	20	1.38	2.17	0.79
W371PLP-8-6	1/2	3/8	20	1.38	2.17	0.79
W371PLP-8-8	1/2	1/2	24	1.38	2.07	0.79

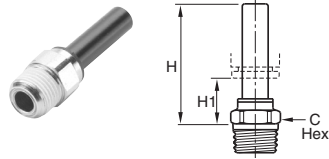


**371PLP Male Run Tee - BSPP**

Part number	Tube size (mm)	BSPP / M5	C Hex (mm)	H	H1	L
371PLP-4M-M5	4	M5x0.8	8	26.0	11.5	14.5
371PLP-4M-2G	4	1/8	13	23.0	8.5	14.5
371PLP-4M-4G	4	1/4	16	23.0	8.5	14.5
371PLP-6M-M5	6	M5x0.8	8	29.5	12.5	17.5
371PLP-6M-2G	6	1/8	13	27.0	10.0	17.5
371PLP-6M-4G	6	1/4	16	27.0	10.0	17.5
371PLP-8M-2G	8	1/8	13	36.5	14.0	23.0
371PLP-8M-4G	8	1/4	16	34.5	12.0	23.0
371PLP-8M-6G	8	3/8	20	34.5	12.0	23.0
371PLP-10M-4G	10	1/4	16	42.0	15.5	26.5
371PLP-10M-6G	10	3/8	20	40.5	14.0	26.5
371PLP-10M-8G	10	1/2	24	40.5	14.0	26.5
371PLP-12M-4G	12	1/4	16	48.0	17.0	31.0
371PLP-12M-6G	12	3/8	20	46.5	15.5	31.0
371PLP-12M-8G	12	1/2	24	46.5	15.5	31.0
371PLP-14M-6G	14	3/8	20	56.5	21.5	35.5
371PLP-14M-8G	14	1/2	24	51.0	16.0	35.5

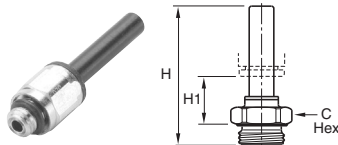


For inventory, lead times, and kit lookup, visit [www.pdnplu.com](http://www.pdnplu.com)



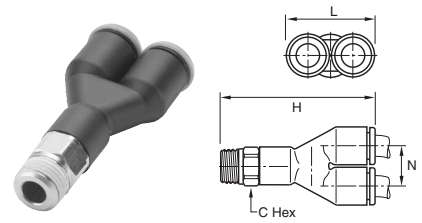
**W68PLPSP Male Standpipe**

Part number	Tube size (In.)	Thread NPT / UNF	C Hex (mm)	H	H1
68PLPSP-5/32-0	5/32	10-32	8	1.24	
W68PLPSP-5/32-2	5/32	1/8	11	1.02	0.57
W68PLPSP-5/32-4	5/32	1/4	14	1.04	0.59
W68PLPSP-4-2	1/4	1/8	11	1.18	0.61
W68PLPSP-4-4	1/4	1/4	14	1.12	0.57
W68PLPSP-5-2	5/16	1/8	11	1.16	0.43
W68PLPSP-5-4	5/16	1/4	14	1.12	0.39
W68PLPSP-6-2	3/8	1/8	15	1.75	0.65
W68PLPSP-6-4	3/8	1/4	15	1.42	0.67
W68PLPSP-6-6	3/8	3/8	17	1.42	0.61
W68PLPSP-8-6	1/2	3/8	17	1.44	0.37
W68PLPSP-8-8	1/2	1/2	21	1.46	0.39



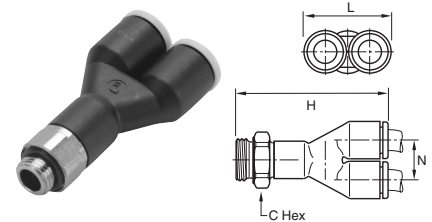
**68PLPSP Male Standpipe - BSPP**

Part number	Tube size (mm)	BSPT	C Hex (mm)	H	H1
68PLPSP-4M-M5	4	M5x0.8	8	31.0	16.0
68PLPSP-4M-2G	4	1/8	13	30.0	13.5
68PLPSP-4M-4G	4	1/4	16	31.0	13.5
68PLPSP-6M-2G	6	1/8	13	32.0	13.5
68PLPSP-6M-4G	6	1/4	16	33.0	13.5
68PLPSP-8M-2G	8	1/8	13	35.5	12.5
68PLPSP-8M-4G	8	1/4	16	34.5	10.5
68PLPSP-8M-6G	8	3/8	20	34.5	10.5
68PLPSP-10M-4G	10	1/4	16	43.5	17.5
68PLPSP-10M-6G	10	3/8	20	41.5	15.5
68PLPSP-10M-8G	10	1/2	24	41.5	15.5
68PLPSP-12M-6G	12	3/8	20	42.0	12.0
68PLPSP-12M-8G	12	1/2	24	43.5	12.0
68PLPSP-14M-6G	14	3/8	20	46.5	14.0
68PLPSP-14M-8G	14	1/2	24	48.0	13.5



**W368PLP Male Y Connector**

Part number	Tube size (In.)	Thread NPT	C Hex (mm)	H	L	N
W368PLP-5/32-2	5/32	1/8	11	1.28	0.69	0.35
W368PLP-5/32-4	5/32	1/4	14	1.30	0.69	0.35
W368PLP-4-2	1/4	1/8	11	1.61	0.87	0.45
W368PLP-4-4	1/4	1/4	14	1.56	0.87	0.45
W368PLP-6-4	3/8	1/4	17	2.24	1.30	0.67
W368PLP-6-6	3/8	3/8	18	2.28	1.30	0.67



**368PLP Male Y Connector - BSPP**

Part number	Tube size (mm)	BSPP / M5	C Hex (mm)	H	L	N
368PLP-4M-M5	4	M5x0.8	8	32.5	17.5	9.0
368PLP-4M-2G	4	1/8	13	32.0	17.5	9.0
368PLP-4M-4G	4	1/4	16	32.0	17.5	9.0
368PLP-6M-M5	6	M5x0.8	10	39.5	21.5	11.0
368PLP-6M-2G	6	1/8	13	39.0	21.5	11.0
368PLP-6M-4G	6	1/4	16	39.0	21.5	11.0
368PLP-8M-2G	8	1/8	13	56.0	28.0	14.5
368PLP-8M-4G	8	1/4	16	55.0	28.0	14.5
368PLP-8M-6G	8	3/8	19	54.0	28.0	14.5
368PLP-10M-4G	10	1/4	16	63.5	33.0	17.0
368PLP-10M-6G	10	3/8	20	63.5	33.0	17.0
368PLP-10M-8G	10	1/2	20	65.0	33.0	17.0
368PLP-12M-6G	12	3/8	19	68.0	39.0	20.0
368PLP-12M-8G	12	1/2	24	70.0	39.0	20.0

Drains

Lockout Valves

AirGuard

Mufflers

Ball Valve / Plug Valves

Quick Couplings

Hose Products

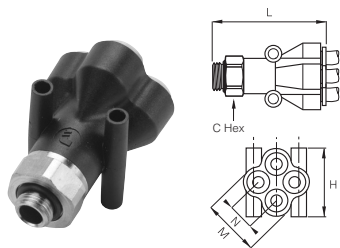
Fittings

**N**  
Airline Accessories



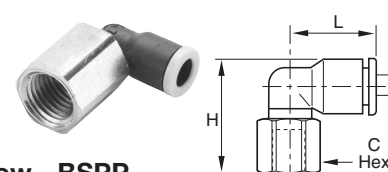
For inventory, lead time, and kit lookup, visit [www.pdnplu.com](http://www.pdnplu.com)

- Drains
- Lockout Valves
- AirGuard
- Mufflers
- Ball Valve / Plug Valves
- Quick Couplings
- Hose Products
- Fittings
- N** Airline Accessories



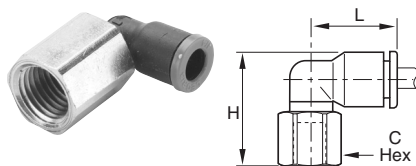
**368PLPD Double Y Male Connector - BSPP**

Part number	Tube size (mm)	BSPP	C Hex (mm)	H	L	M	N	Mounting hole dia.
368PLPD-4M-2G	4	1/8	13	25.5	41.0	21.0	10.0	3.7
368PLPD-4M-4G	4	1/4	16	25.5	40.0	21.0	10.0	3.7
368PLPD-6M-2G	6	1/8	19	31.5	52.5	26.5	12.0	3.7
368PLPD-6M-4G	6	1/4	19	31.5	53.5	26.5	12.0	3.7



**370PLP Female Elbow - BSPP**

Part number	Tube size (mm)	BSPP	C Hex (mm)	H	L
370PLP-4M-2G	4	1/8	13	23.0	14.0
370PLP-4M-4G	4	1/4	16	27.0	14.0
370PLP-6M-2G	6	1/8	13	25.0	16.0
370PLP-6M-4G	6	1/4	16	29.0	16.0
370PLP-8M-2G	8	1/8	13	28.0	23.0
370PLP-8M-4G	8	1/4	16	32.0	23.0
370PLP-8M-6G	8	3/8	19	33.0	23.0
370PLP-10M-4G	10	1/4	16	34.5	26.5
370PLP-10M-6G	10	3/8	19	35.0	26.5
370PLP-10M-8G	10	1/2	24	41.0	26.5
370PLP-12M-4G	12	1/4	16	38.0	30.5
370PLP-12M-6G	12	3/8	19	38.5	30.5
370PLP-12M-8G	12	1/2	24	43.5	30.5



**370PLP Female Elbow Swivel**

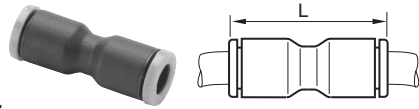
Part number	Tube size (In.)	Thread NPT	C Hex (mm)	L	H
370PLP-2-2	1/8	1/8	13	0.57	0.91
370PLP-5/32-2	5/32	1/8	13	0.55	0.91
370PLP-5/32-4	5/32	1/4	16	0.55	1.08
370PLP-4-2	1/4	1/8	13	0.71	1.02
370PLP-4-4	1/4	1/4	16	0.71	1.18
370PLP-5-2	5/16	1/8	13	0.91	1.12
370PLP-5-4	5/16	1/4	16	0.91	1.28
370PLP-6-4	3/8	1/4	16	1.04	1.52
370PLP-8-6	1/2	3/8	22	1.38	1.88



For inventory, lead times, and kit lookup, visit [www.pdnplu.com](http://www.pdnplu.com)

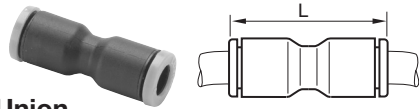
# Prestolok Composite Fittings

# Air Preparation Products Accessories



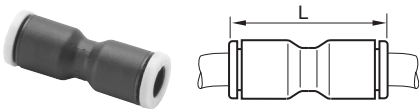
## 32PLP Equal Union

Part number	Tube size (In.)	L
32PLP-2	1/8	0.97
32PLP-5/32	5/32	0.98
32PLP-3	3/16	1.44
32PLP-4	1/4	1.16
32PLP-5	5/16	1.50
32PLP-6	3/8	1.65
32PLP-8	1/2	2.17



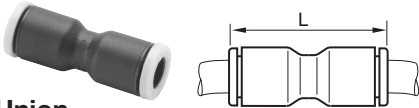
## 32PLP Unequal Union

Part number	1 tube size (In.)	2 tube size (In.)	L
32PLP-5/32-2	5/32	1/8	0.96
32PLP-5/32-4	5/32	1/4	1.16
32PLP-4-2	1/4	1/8	1.32
32PLP-5-4	5/16	1/4	1.44
32PLP-6-4	3/8	1/4	1.61
32PLP-6-8	3/8	1/2	2.17



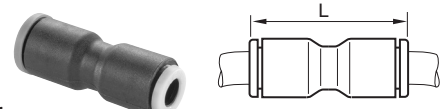
## 32PLP Union

Part number	Tube size (mm)	L
32PLP-3M	3	25.0
32PLP-4M	4	25.0
32PLP-6M	6	28.5
32PLP-8M	8	38.0
32PLP-10M	10	42.0
32PLP-12M	12	50.5
32PLP-14M	14	56.0



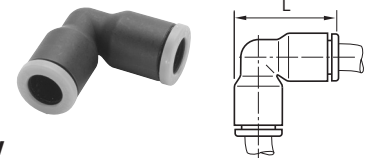
## 32PLP Unequal Union

Part number	1 tube size (mm)	2 tube size (mm)	L
32PLP-3M-4M	3	4	25.0
32PLP-6M-4M	6	4	28.0
32PLP-8M-4M	8	4	28.0
32PLP-8M-6M	8	6	38.0
32PLP-10M-6M	10	6	42.0
32PLP-10M-8M	10	8	42.0
32PLP-12M-10M	12	10	50.5
32PLP-12M-14M	12	14	56.0
32PLP-12M-8M	12	8	50.5



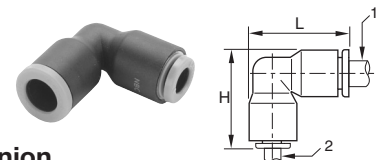
## 32PLP Converter

Part number	Tube size (In.)	Tube size (mm)	L
32PLP-6M-4	1/4	6	1.18
32PLP-10M-6	3/8	10	1.99
32PLP-12M-8	1/2	12	2.25



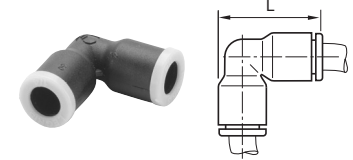
## 365PLP Union Elbow

Part number	Tube size (In.)	L
365PLP-2	1/8	0.71
365PLP-5/32	5/32	0.75
365PLP-3	3/16	1.07
365PLP-4	1/4	0.93
365PLP-5	5/16	1.16
365PLP-6	3/8	1.33
365PLP-8	1/2	1.38



## 365PLP Unequal Union

Part number	1 tube size (In.)	2 tube size (In.)	L	H
365PLP-2-4	1/8	1/4	0.93	0.93
365PLP-5/32-4	5/32	1/4	0.93	0.93
365PLP-6-4	3/8	1/4	1.33	1.30
365PLP-6-8	3/8	1/2	1.81	1.81



## 365PLP Union Elbow

Part number	Tube size (mm)	L
365PLP-4M	4	19.0
365PLP-6M	6	22.5
365PLP-8M	8	29.5
365PLP-10M	10	34.5
365PLP-12M	12	40.5
365PLP-14M	14	46.5



For inventory, lead time, and kit lookup, visit [www.pdnplu.com](http://www.pdnplu.com)

Drains

Lockout Valves

AirGuard

Mufflers

Ball Valve / Plug Valves

Quick Couplings

Hose Products

Fittings

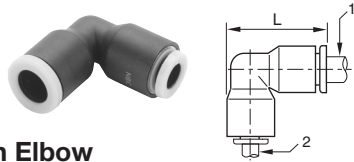
**N**

Airline Accessories

# Prestolok Composite Fittings

# Air Preparation Products Accessories

Drains

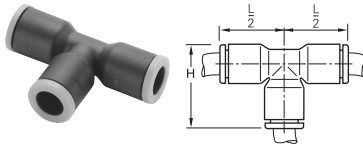


### 365PLP Unequal Union Elbow

Part number	1 tube size (mm)	2 tube size (mm)	L
365PLP-4M-6M	4	6	22.5
365PLP-6M-8M	6	8	29.5
365PLP-8M-10M	8	10	34.5
365PLP-10M-12M	10	12	40.5

Lockout Valves

AirGuard



### 364PLP Union Tee

Part number	Tube size (in.)	L/2	H
364PLP-2	1/8	0.57	0.75
364PLP-5/32	5/32	0.57	0.75
364PLP-3	3/16	0.85	1.07
364PLP-4	1/4	0.93	0.89
364PLP-5	5/16	0.91	1.16
364PLP-6	3/8	1.02	1.34
364PLP-8	1/2	1.38	1.81

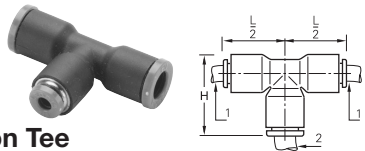
Ball Valve / Plug Valves

Quick Couplings

Hose Products

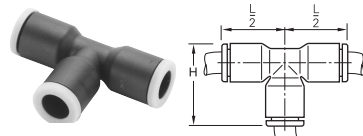
Fittings

Airline Accessories



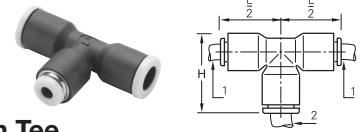
### 364PLP Unequal Union Tee

Part number	1 tube size (in.)	2 tube size (in.)	L/2	H
364PLP-2-4	1/8	1/4	0.71	0.93
364PLP-5/32-4	5/32	1/4	0.71	0.93
364PLP-4-2	1/4	1/8	0.73	0.93
364PLP-4-5/32	1/4	5/32	0.73	0.93
364PLP-4-6	1/4	3/8	0.96	1.32
364PLP-6-4	3/8	1/4	1.00	1.28
364PLP-6-8	3/8	1/2	1.38	1.81
364PLP-8-4	1/2	1/4	1.38	1.81
364PLP-8-6	1/2	3/8	1.38	1.81



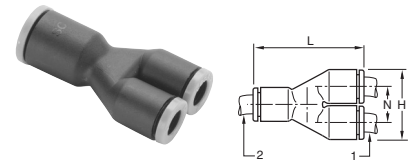
### 364PLP Union Tee

Part	Tube Size (mm)	H	L/2
364PLP-3M	3	19.0	14.5
364PLP-4M	4	19.0	14.5
364PLP-6M	6	23.5	18.0
364PLP-8M	8	29.5	23.0
364PLP-10M	10	34.5	26.5
364PLP-12M	12	40.5	31.0
364PLP-14M	14	46.0	35.5



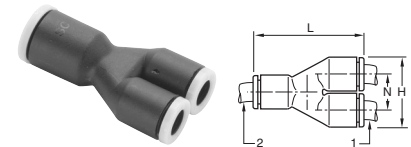
### 364PLP Unequal Union Tee

Part number	1 tube size (mm)	2 tube size (mm)	H	L/2
364PLP-4M-6M	4	6	22.5	17.5
364PLP-6M-4M	6	4	22.5	17.5
364PLP-6M-8M	6	8	29.5	23.0
364PLP-8M-6M	8	6	29.5	23.0
364PLP-8M-10M	8	10	34.5	26.5
364PLP-10M-12M	10	12	34.5	26.5
364PLP-10M-8M	10	8	40.5	31.0
364PLP-12M-10M	12	10	40.5	31.0
364PLP-14M-8M	14	8	46.0	35.5



### 362PLP Union Y Connector

Part number	1 tube size (in.)	2 tube size (in.)	L	H	N
362PLP-2	1/8	1/8	1.12	0.69	0.35
362PLP-2-4	1/8	1/4	1.42	0.87	0.45
362PLP-5/32	5/32	5/32	1.12	0.69	0.35
362PLP-5/32-4	5/32	1/4	1.42	0.87	0.45
362PLP-4	1/4	1/4	1.42	0.87	0.45
362PLP-4-6	1/4	3/8	1.31	1.30	0.67
362PLP-5	5/16	5/16	1.77	1.10	0.57
362PLP-6	3/8	3/8	2.09	1.30	0.67



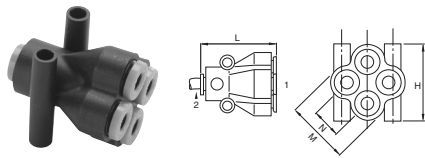
### 362PLP Union Y Connector

Part number	1 tube size (mm)	2 tube size (m)	H	L	N
362PLP-4M	4	4	17.5	28.5	9.0
362PLP-6M	6	6	21.5	35.0	11.0
362PLP-8M	8	8	28.0	45.0	14.5
362PLP-10M	10	10	33.0	53.0	17.0
362PLP-12M	12	12	39.0	57.0	20.0
362PLP-4M-6M	4	6	17.5	33.0	9.0
362PLP-6M-8M	6	8	22.5	41.0	11.5
362PLP-8M-10M	8	10	28.0	47.0	14.5
362PLP-10M-12M	10	12	33.0	57.0	17.0



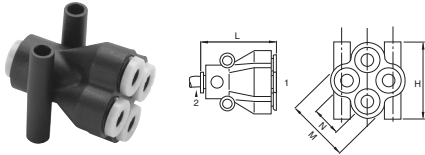
For inventory, lead times, and kit lookup, visit [www.pdnplu.com](http://www.pdnplu.com)





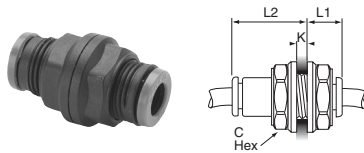
**362PLPD Double Y Connector**

Part number	1 tube size (In.)	2 tube size (In.)	H	L	M	N	Mounting hole dia.
362PLPD-5/32	5/32	5/32	1.00	1.20	0.83	0.39	0.15
362PLPD-5/32-4	5/32	1/4	1.00	1.18	0.83	0.39	0.15



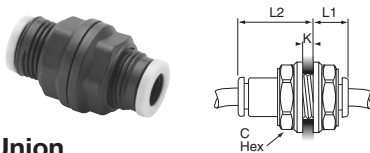
**362PLPD Double Y Connector**

Part number	1 tube size (mm)	2 tube size (mm)	H	L	M	N	Mounting hole dia.
362PLPD-4M	4	4	25.5	30.5	21.0	10.0	3.7
362PLPD-6M	6	6	31.5	37.5	26.5	12.0	3.7
362PLPD-4M-6M	4	6	25.5	30.5	21.0	10.0	3.7
362PLPD-6M-8M	6	8	31.5	38.0	26.5	12.0	3.7



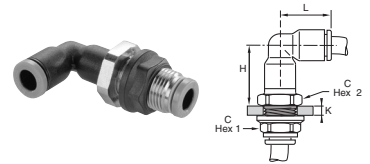
**32PLPB Bulkhead Union**

Part number	Tube size (In.)	C Hex (mm)	K Max	L1	L2
32PLPBH-2	1/8	13	0.22	0.37	0.61
32PLPBH-5/32	5/32	13	0.22	0.59	0.39
32PLPBH-4	1/4	16	0.35	0.37	0.81
32PLPBH-5	5/16	18	0.57	0.98	0.53
32PLPBH-6	3/8	22	0.57	0.51	1.18
32PLPBH-8	1/2	29	0.81	0.67	1.61



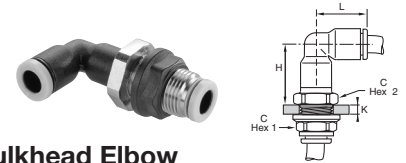
**32PLPB Bulkhead Union**

Part number	Tube size (mm)	C Hex (mm)	K Max	L1	L2
32PLPBH-4M	4	13	5.5	15.0	10.0
32PLPBH-6M	6	15	8.5	18.0	10.5
32PLPBH-8M	8	18	14.5	25.0	13.5
32PLPBH-10M	10	22	14.5	27.5	15.5
32PLPBH-12M	12	26	18.5	33.0	18.0
32PLPBH-14M	14	29	20.5	37.5	20.5



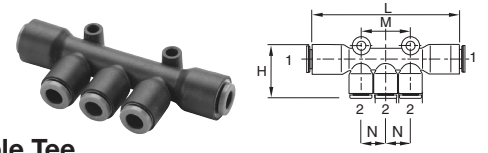
**365PLPB Equal Bulkhead Elbow**

Part number	Tube size (In.)	C1 Hex	C2 Hex	K Max	H	L
365PLPBH-2	1/8	13	13	0.28	0.71	0.57
365PLPBH-5/32	5/32		13	0.26	0.83	0.67
365PLPBH-4	1/4	18	17	0.32	0.87	0.71
365PLPBH-5	5/16		18	0.31	1.22	0.94
365PLPBH-6	3/8	22	22	0.33	1.08	1.00
365PLPBH-8	1/2	29	27	0.41	1.54	1.38



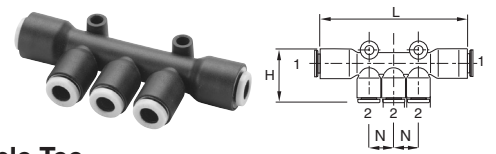
**365PLPB Equal Bulkhead Elbow**

Part number	Tube size (mm)	C1 Hex	C2 Hex	K Max	H	L
365PLPBH-4M	4	13	13	6.5	21.0	17.0
365PLPBH-6M	6	15	15	7.0	24.5	19.5
365PLPBH-8M	8	18	18	8.0	31.0	24.0
365PLPBH-10M	10	22	22	8.5	36.0	28.0
365PLPBH-12M	12	26	26	8.5	42.0	33.0



**24PLP Multiple Tee**

Part number	1 tube size (In.)	2 tube size (In.)	H	L	M	N	Mounting hole dia.
24PLP-4-5/32	1/4	5/32	0.97	2.81	0.90	0.45	0.17
24PLP-4-4	1/4	1/4	1.22	3.14	1.21	0.61	0.17
24PLP-5-5/32	5/16	5/32	0.96	2.91		0.45	0.17
24PLP-6-4	3/8	1/4	1.34	3.21	1.22	0.61	0.17



**24PLP Multiple Tee**

Part number	1 tube size (mm)	2 tube size (mm)	H	L	N	Mounting hole dia.
24PLP-6M-4M	6	4	24.5	74	11.5	4.2
24PLP-8M-4M	8	4	24.5	74	11.5	4.2
24PLP-8M-6M	8	6	24.5	74	11.5	4.2
24PLP-10M-6M	10	6	36.0	81	14.5	4.2
24PLP-10M-8M	10	8	36.0	81	14.5	4.2



For inventory, lead time, and kit lookup, visit [www.pdnplu.com](http://www.pdnplu.com)

Drains

Lockout Valves

AirGuard

Mufflers

Ball Valve / Plug Valves

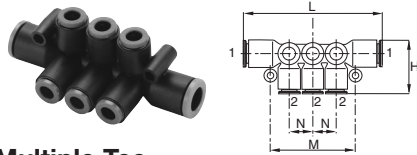
Quick Couplings

Hose Products

Fittings

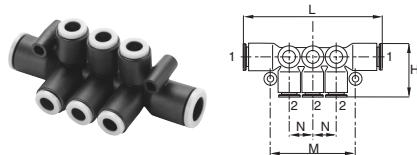
**N**  
Airline Accessories

Drains  
Lockout Valves  
AirGuard  
Mufflers  
Ball Valve / Plug Valves  
Quick Couplings  
Hose Products  
Fittings  
N  
Airline Accessories



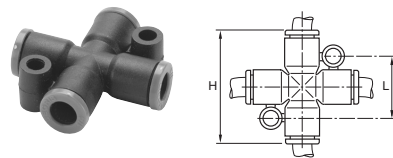
**24PLPD Double Multiple Tee**

Part number	1 tube size (in.)	2 tube size (in.)	H	L	M	N	Mounting hole dia.
24PLPD-4-5/32	1/4	5/32	0.73	2.84	1.69	0.45	0.17
24PLPD-4-4	1/4	1/4	0.73	2.84	1.69	0.45	0.17
24PLPD-5-5/32	5/16	5/32	0.77	2.87	1.69	0.45	0.17
24PLPD-6-4	3/8	1/4	0.91	3.31	2.05	0.57	0.17



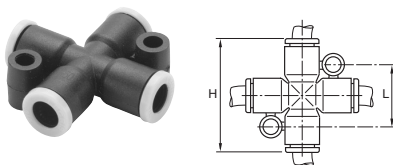
**24PLPD Double Multiple Tee**

Part number	1 tube size (mm)	2 tube size (mm)	H	L	M	N	Mounting hole dia.
24PLPD-6M-4M	6	4	18.5	72.0	43.0	11.5	4.2
24PLPD-8M-4M	8	4	18.5	73.0	43.0	11.5	4.2
24PLPD-8M-6M	8	6	18.5	73.0	43.0	11.5	4.2
24PLPD-10M-6M	10	6	23.0	84.0	52.0	14.5	4.2
24PLPD-10M-8M	10	8	23.5	84.0	52.0	14.5	4.2



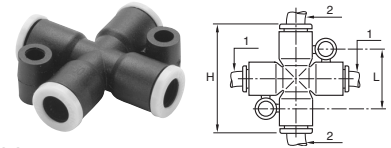
**347PLP Equal Cross**

Part number	Tube size (in.)	H	L	Mounting hole dia.
347PLP-5/32	5/32	1.42	0.79	0.17
347PLP-4	1/4	1.40	0.79	0.17
347PLP-5	5/16	1.81	0.89	0.17



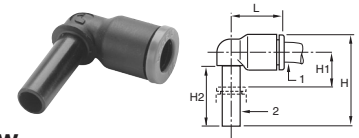
**347PLP Equal Cross**

Part number	Tube size (mm)	H	L	Mounting hole dia.
347PLP-4M	4	36	20.0	4.2
347PLP-6M	6	36	20.0	4.2
347PLP-8M	8	46	22.5	4.2



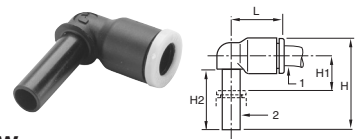
**347PLP Unequal Cross**

Part number	1 tube size (mm)	2 tube size (mm)	H	L	Mounting hole dia.
347PLP-4M-6M	4	6	36	20.0	4.2
347PLP-6M-8M	6	8	46	22.5	4.2
347PLP-4M-6M	4	6	36	20.0	4.2
347PLP-6M-8M	6	8	46	22.5	4.2



**369PLPSP Plug-In Elbow**

Part number	1 tube size (in.)	2 tube size (in.)	H	H1	H2	L
369PLPSP-2	1/8	1/8	0.92	0.31	0.64	0.57
369PLPSP-5/32	5/32	5/32	0.91	0.24	0.61	0.55
369PLPSP-5/32-4	5/32	1/4	1.08	0.30	0.71	0.71
369PLPSP-4	1/4	1/4	1.20	0.43	0.83	0.73
369PLPSP-4-6	1/4	3/8	1.52	0.35	0.96	0.98
369PLPSP-5	5/16	5/16	1.32	0.32	0.85	0.91
369PLPSP-6	3/8	3/8	1.52	0.35	0.96	1.02
369PLPSP-8	1/2	1/2	2.00	0.51	1.12	1.38



**369PLPSP Plug-In Elbow**

Part number	1 tube size (mm)	2 tube size (mm)	H	H1	H2	L
369PLPSP-4M	4	4	23.0	6.0	15.5	14.0
369PLPSP-6M	6	6	26.5	7.0	17.0	16.0
369PLPSP-8M	8	8	33.5	8.0	21.5	23.0
369PLPSP-10M	10	10	39.0	9.5	24.5	23.5
369PLPSP-12M	12	12	44.5	10.0	27.5	31.0
369PLPSP-4M-6M	4	6	26.5	7.0	17.0	16.0
369PLPSP-6M-4M	6	4	24.5	7.0	15.5	16.0
369PLPSP-6M-8M	6	8	33.5	8.0	21.5	22.0
369PLPSP-8M-10M	8	10	39.0	8.5	24.5	26.5
369PLPSP-10M-12M	10	12	44.5	10.0	27.5	31.0



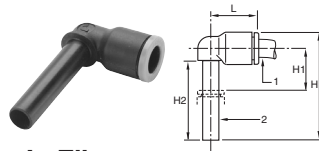
For inventory, lead times, and kit lookup, visit [www.pdnplu.com](http://www.pdnplu.com)

N50

**Parker Hannifin Corporation**  
Pneumatic Division  
Richland, Michigan  
[www.parker.com/pneumatics](http://www.parker.com/pneumatics)

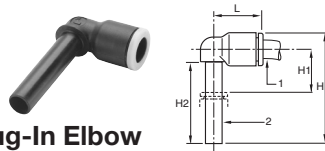
# Prestolok Composite Fittings

# Air Preparation Products Accessories



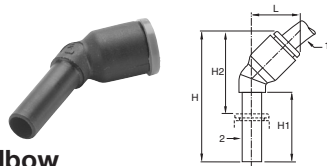
## 369PLPSPX Extended Plug-In Elbow

Part number	1 tube size (In.)	2 tube size (In.)	H	H1	H2	L
369PLPSPX-2	1/8	1/8	1.26	0.65	0.98	0.57
369PLPSPX-5/32	5/32	5/32	1.28	0.61	0.98	0.55
369PLPSPX-4	1/4	1/4	1.56	0.77	1.18	0.71
369PLPSPX-5	5/16	5/16	1.93	0.93	1.46	0.91
369PLPSPX-6	3/8	3/8	2.19	1.02	1.63	1.02



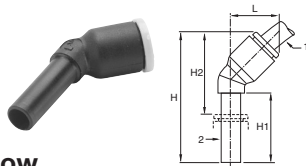
## 369PLXSP Extended Plug-In Elbow

Part number	1 tube size (mm)	2 tube size (mm)	H	H1	H2	L
369PLXSP-4M	4	4	32.5	15.5	25.0	14.0
369PLXSP-6M	6	6	38.5	19.0	29.0	16.0
369PLXSP-8M	8	8	49.0	23.5	37.0	23.0
369PLXSP-10M	10	10	56.0	26.5	41.5	26.5
369PLXSP-12M	12	12	62.5	28.0	45.5	31.0
369PLXSP-4M-6M	4	6	38.5	19.0	29.0	16.0
369PLXSP-6M-8M	6	8	49.0	23.5	37.0	23.0
369PLXSP-8M-10M	8	10	56.0	26.5	41.5	26.5
369PLXSP-10M-12M	10	12	62.5	28.0	45.5	31.0



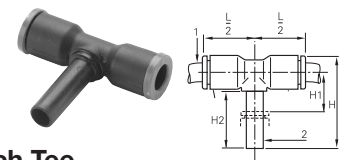
## 379PLPSP 45° Plug-In Elbow

Part number	1 tube size (In.)	2 tube size (In.)	H	H1	H2	L
379PLPSP-2	1/8	1/8	1.14	0.59	0.69	0.47
379PLPSP-5/32	5/32	5/32	1.32	0.75	0.83	0.51
379PLPSP-4	1/4	1/4	1.44	0.71	0.87	0.57
379PLPSP-5	5/16	5/16	1.73	0.85	1.00	0.77
379PLPSP-6	3/8	3/8	2.00	0.96	1.16	0.91



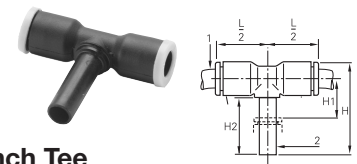
## 379PLPSP 45° Plug-In Elbow

Part number	1 tube size (mm)	2 tube size (mm)	H	H1	H2	L
379PLPSP-4M	4	4	33.5	19.0	21.0	13.0
379PLPSP-6M	6	6	39.0	21.0	25.0	14.5
379PLPSP-8M	8	8	44.0	21.5	25.5	19.5
379PLPSP-10M	10	10	53.0	27.0	32.5	23.0
379PLPSP-12M	12	12	58.5	27.5	34.0	26.5



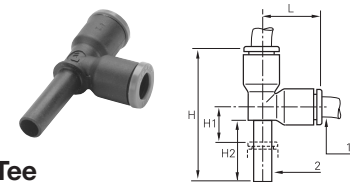
## 372PLPSP Plug-In Branch Tee

Part number	1 tube size (In.)	2 tube size (In.)	H	H1	H2	L/2
372PLPSP-2	1/8	1/8	0.95	0.26	0.59	0.57
372PLPSP-5/32	5/32	5/32	0.91	0.24	0.61	0.57
372PLPSP-4	1/4	1/4	0.98	0.43	0.77	0.73
372PLPSP-5	5/16	5/16	1.32	0.32	0.85	0.91
372PLPSP-6	3/8	3/8	1.61	0.35	0.96	0.98
372PLPSP-8	1/2	1/2	2.01	0.51	1.12	1.38



## 372PLPSP Plug-In Branch Tee

Part number	1 tube size (mm)	2 tube size (mm)	H	H1	H2	L/2
372PLPSP-4M	4	4	23.0	6.0	15.5	14.5
372PLPSP-6M	6	6	26.5	7.0	17.0	16.0
372PLPSP-8M	8	8	33.5	8.0	21.5	23.0
372PLPSP-10M	10	10	39.0	9.5	24.5	26.5
372PLPSP-12M	12	12	44.5	10.0	27.5	31.0
372PLPSP-4M-6M	4	6	26.5	7.0	17.0	16.0
372PLPSP-6M-8M	6	8	33.5	8.0	21.5	23.0
372PLPSP-8M-10M	8	10	39.0	9.5	24.5	26.5
372PLPSP-10M-12M	10	12	44.5	10.0	27.5	31.0



## 371PLPSP Plug-In Run Tee

Part number	1 tube size (In.)	2 tube size (In.)	H	H1	H2	L
371PLPSP-5/32	5/32	5/32	1.30	0.24	0.61	0.57
371PLPSP-4	1/4	1/4	1.69	0.43	0.83	0.73
371PLPSP-5	5/16	5/16	1.93	0.32	0.85	0.91
371PLPSP-6	3/8	3/8	2.23	0.33	0.96	1.00
371PLPSP-8	1/2	1/2	2.86	0.51	1.12	1.38

Drains

Lockout Valves

AirGuard

Mufflers

Ball Valve / Plug Valves

Quick Couplings

Hose Products

Fittings

**N**  
Airline Accessories

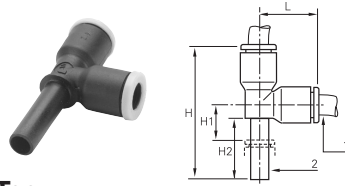


For inventory, lead time, and kit lookup, visit [www.pdnplu.com](http://www.pdnplu.com)

N51

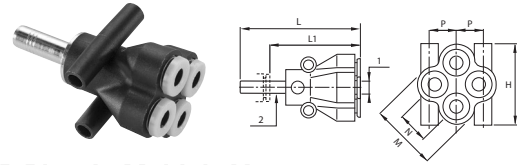
Parker Hannifin Corporation  
Pneumatic Division  
Richland, Michigan  
[www.parker.com/pneumatics](http://www.parker.com/pneumatics)

Drains  
Lockout Valves  
AirGuard  
Mufflers  
Ball Valve / Plug Valves  
Quick Couplings  
Hose Products  
Fittings  
N Airline Accessories



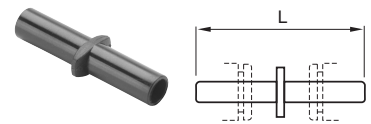
**371PLPSP Plug-In Run Tee**

Part number	1 tube size (mm)	2 tube size (mm)	H	H1	H2	L
371PLPSP-4M	4	4	33.0	6.0	15.5	14.5
371PLPSP-6M	6	6	38.5	7.0	17.0	17.5
371PLPSP-8M	8	8	49.0	8.0	21.5	23.0
371PLPSP-10M	10	10	57.0	10.5	24.5	26.5
371PLPSP-12M	12	12	65.5	10.5	27.5	31.0
371PLPSP-4M-6M	4	6	10.5	7.0	17.0	17.5
371PLPSP-6M-8M	6	8	13.5	8.0	21.5	23.0
371PLPSP-8M-10M	8	10	16.0	10.5	24.5	26.5
371PLPSP-10M-12M	10	12	19.0	10.5	27.5	31.0



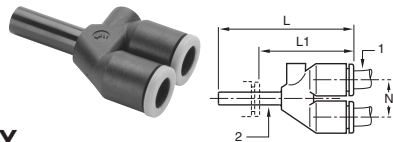
**362PLPDSP Plug-In Multiple Y**

Part number	1 tube size (mm)	2 tube size (mm)	H	L	L1	M	N
362PLPDSP-6M-4M	6	4	25.5	45.0	31.0	21.0	10.0
362PLPDSP-8M-4M	8	4	25.5	49.5	31.0	21.0	10.0
362PLPDSP-8M-6M	8	6	31.5	59.5	41.0	26.5	12.0



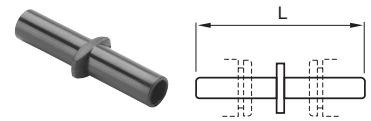
**63PLP Double Male Union**

Part number	Tube size (In.)	L
63PLP-5/32	5/32	1.36
63PLP-4	1/4	1.52
63PLP-5	5/16	1.61
63PLP-6	3/8	2.03
63PLP-8	1/2	2.13



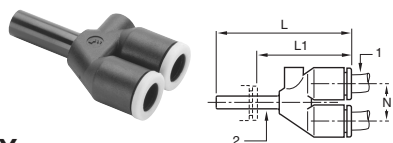
**362PLPSP Plug-In Y**

Part number	1 tube size (In.)	2 tube size (In.)	L	L1	N
362PLPSP-2	1/8	1/8	1.36	1.00	0.35
362PLPSP-5/32	5/32	5/32	1.34	0.85	0.35
362PLPSP-4	1/4	1/4	1.60	1.02	0.45
362PLPSP-5	5/16	5/16	2.00	1.26	0.57
362PLPSP-6	3/8	3/8	2.23	1.42	0.67



**63PLP Double Male Union**

Part number	Tube size (mm)	L
63PLP4M	4	34 1/2
63PLP6M	6	38 1/2
63PLP8M	8	41
63PLP10M	10	51 1/2
63PLP12M	12	60
63PLP14M	14	69 1/2



**362PLPSP Plug-In Y**

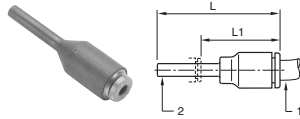
Part number	1 tube size (mm)	2 tube size (mm)	L	L1	N
362PLPSP-4M	4	4	34.0	21.5	9.0
362PLPSP-6M	6	6	39.5	25.5	11.0
362PLPSP-8M	8	8	50.5	32.0	14.5
362PLPSP-10M	10	10	57.5	36.0	17.0
362PLPSP-12M	12	12	66.0	41.0	20.0
362PLPSP-4M-6M	4	6	35.5	21.5	9.0
362PLPSP-6M-8M	6	8	44.0	25.5	11.0
362PLPSP-8M-10M	8	10	53.5	32.0	14.5
362PLPSP-10M-12M	10	12	60.0	35.0	17.0



For inventory, lead times, and kit lookup, visit [www.pdnplu.com](http://www.pdnplu.com)

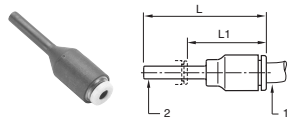
# Prestolok Composite Fittings

# Air Preparation Products Accessories



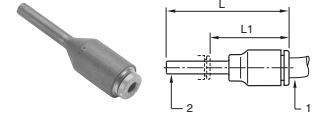
## 67PLP Tube End Reducer

Part number	1 tube size (In.)	2 tube size (In.)	L	L1
67PLP-2-5/32	1/8	5/32	1.79	1.32
67PLP-2-3	1/8	3/16	1.79	1.14
67PLP-2-4	1/8	1/4	1.79	1.22
67PLP-5/32-3	5/32	3/16	1.48	.83
67PLP-5/32-4	5/32	1/4	1.48	.91
67PLP-5/32-5	5/32	5/16	1.48	.75
67PLP-5/32-6	5/32	3/8	1.61	.81
67PLP-3-5	3/16	5/16	1.79	1.06
67PLP-3-4	3/16	1/4	1.79	1.22
67PLP-4-5	1/4	5/16	1.61	.89
67PLP-4-6	1/4	3/8	1.61	.81
67PLP-4-8	1/4	1/2	1.97	.98
67PLP-5-6	5/16	3/8	1.93	1.12
67PLP-5-8	5/16	1/2	2.01	1.02
67PLP-6-8	3/8	1/2	2.01	1.04



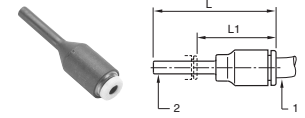
## 67PLP Tube Reducer

Part number	1 tube size (mm)	2 tube size (mm)	L	L1
67PLP-6M-4M	6	4	37.5	23.5
67PLP-8M-4M	8	4	37.5	19.0
67PLP-8M-6M	8	6	36.0	20.5
67PLP-10M-4M	10	4	44.0	22.5
67PLP-10M-6M	10	6	38.0	17.5
67PLP-10M-8M	10	8	49.0	28.5
67PLP-12M-10M	12	10	56.5	33.5
67PLP-12M-6M	12	6	46.0	23.0
67PLP-12M-8M	12	8	49.0	24.5
67PLP-14M-10M	14	10	58.5	33.5
67PLP-14M-12M	14	12	58.5	33.5
67PLP-14M-6M	14	6	48.0	23.0
67PLP-14M-8M	14	8	48.0	23.0



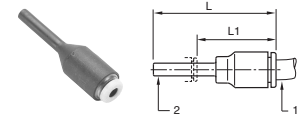
## 32PLPSP Tube Expander

Part number	1 tube size (In.)	2 tube size (In.)	L	L1
32PLPSP-4-2	1/4	1/8	1.61	1.16
32PLPSP-4-6M	1/4	6M	1.75	1.02
32PLPSP-4-5/32	1/4	5/32	1.61	1.14
32PLPSP-4-3	1/4	3/16	1.61	1.00
32PLPSP-6-4	3/8	1/4	1.58	1.00



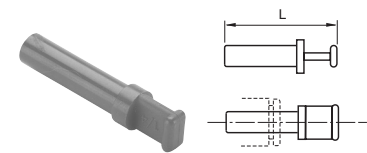
## 32PLPSP Tube Expander

Part number	Tube size (mm)	Tube size (mm)	L	L1
32PLPSP-6M-4M	6	4	35.0	23.0
32PLPSP-8M-6M	8	6	45.0	31.5
32PLPSP-10M-8M	10	8	42.5	21.0
32PLPSP-12M-10M	12	10	49.0	24.5



## 32PLPSP Tube Converter

Part number	1 tube size (mm)	2 tube size (In.)	L	L1
32PLPSP-4M-2	4M	1/8	1.61	1.16
32PLPSP-8M-4	8M	1/4	1.58	1.00



## 639PLP Plug

Part number	Tube size (In.)	L
639PLP-2	1/8	1.30
639PLP-5/32	5/32	1.18
639PLP-3	3/16	1.36
639PLP-4	1/4	1.44
639PLP-5	5/16	1.38
639PLP-6	3/8	1.67
639PLP-8	1/2	1.91

Drains

Lockout Valves

AirGuard

Mufflers

Ball Valve / Plug Valves

Quick Couplings

Hose Products

Fittings

**N**

Airline Accessories

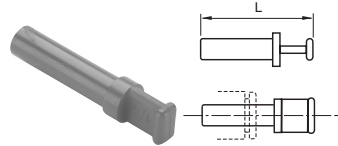


For inventory, lead time, and kit lookup, visit [www.pdnplu.com](http://www.pdnplu.com)

# Prestolok Composite Fittings

# Air Preparation Products Accessories

Drains



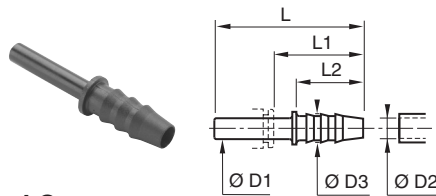
## 639PLP Plug

Part number	Tube size (mm)	L
639PLP-3M	3	25
639PLP-4M	4	30
639PLP-6M	6	33
639PLP-8M	8	33
639PLP-10M	10	42
639PLP-12M	12	45
639PLP-14M	14	49

Lockout Valves

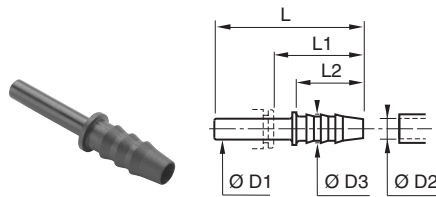
AirGuard

Mufflers



## 322PLPSP Barbed Connector

Part number	OD 1	OD 2	OD 3	L	L1	L2
322PLPSP-2-5/32	5/32	0.12	0.20	1.46	0.98	0.67
322PLPSP-5M-5/32	5/32	0.20	0.28	1.46	0.98	0.67
322PLPSP-3-4	1/4	3/16		1.65	1.00	
322PLPSP-4-5	5/16	0.25	0.34	1.55	0.83	0.67
322PLPSP-5-5	3/8	0.32	0.39	1.75	1.02	0.87
322PLPSP-5-6	3/8	0.32	0.39	1.97	1.16	0.87



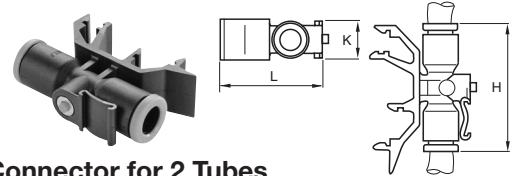
## 322PLPSP Barbed Connector

Part number	OD 1	OD 2	OD 3	L	L1	L2
322PLPSP-3M-4M	4	3.2	5.0	37.0	25.0	17.0
322PLPSP-5M-4M	4	5.0	7.0	37.0	25.0	17.0
322PLPSP-5M-6M	6	5.0	7.0	39.0	25.0	17.0
322PLPSP-6M-8M	8	6.3	8.5	39.5	21.0	17.0
322PLPSP-8M-8M	8	8.0	10.0	44.5	26.0	22.0
322PLPSP-6M-10M	10	6.3	8.0	45.0	24.5	17.0
322PLPSP-8M-10M	10	8.0	10.0	50.0	29.5	22.0
322PLPSP-8M-12M	12	8.0	10.0	50.0	26.0	22.0
322PLPSP-1012M	12	10.0	12.0	48.5	25.5	22.5
322PLPSP-1212M	12	12.5	14.5	57.0	34.0	22.5
322PLPSP-1214M	14	12.5	14.5	59.5	34.5	22.5
322PLPSP-1414M	14	14.0	16.0	59.5	34.5	22.5

Fittings

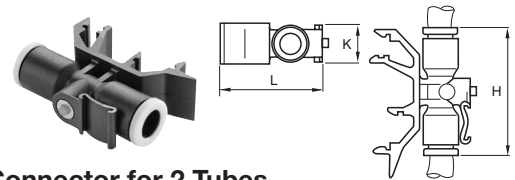
N

Airline Accessories



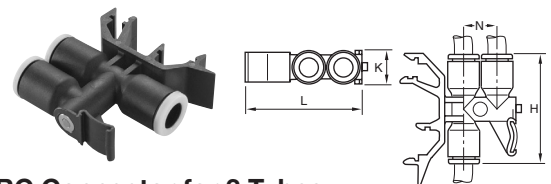
## 32PLPRC Connector for 2 Tubes

Part number	Tube size (In.)	H	K	L
32PLPRC-5/32	5/32	1.44	0.47	1.18
32PLPRC-4	1/4	1.44	0.47	1.18
32PLPRC-5	5/16	1.81	0.51	1.28



## 32PLPRC Connector for 2 Tubes

Part number	Tube size (mm)	H	K	L
32PLPRC-4M	4	36.5	11.0	39.5
32PLPRC-6M	6	36.5	11.0	39.5
32PLPRC-8M	8	46.0	13.0	44.5



## 32PLPDRC Connector for 3 Tubes























Part number	Tube size (mm)	H	K	L	N
32PLPDRC-4M	4	36.5	11.0	39.5	
32PLPDRC-6M	6	36.5	11.0	39.5	
32PLPDRC-8M	8	46.0	13.0	14.5	



For inventory, lead times, and kit lookup, visit [www.pdnplu.com](http://www.pdnplu.com)

N54

**Parker Hannifin Corporation**  
Pneumatic Division  
Richland, Michigan  
[www.parker.com/pneumatics](http://www.parker.com/pneumatics)

<b>Tube to Male NPTF</b>	<b>W68PLP</b> Male Connector  Page N58	<b>W68PLPR</b> Male Connector Round Body  Page N58	<b>W68PW</b> Male Connector  Page N60	<b>W169PLP</b> Male Elbow Swivel  Page N59	<b>W169PLPNS</b> Male Elbow  Page N59
	<b>W169PW</b> Male Elbow Swivel  Page N61	<b>W171PLP</b> Male Run Tee Swivel  Page N59	<b>W171PW</b> Male Run Tee Swivel  Page N61	<b>W172PLP</b> Male Branch Tee Swivel  Page N59	<b>W172PW</b> Male Branch Tee Swivel  Page N61
<b>Tube to Tube</b>	<b>62PLP</b> Union  Page N57	<b>62PW</b> Union  Page N60	<b>164PLP</b> Union Tee  Page N58	<b>164PW</b> Union Tee  Page N60	<b>165PLP</b> Union Elbow  Page N58
	<b>165PW</b> Union Elbow  Page N60	<b>Tube to Female NPTF</b>	<b>66PLP</b> Female Connector  Page N57	<b>66PW</b> Female Connector  Page N60	
<b>Bulkhead Unions</b>	<b>62PLPBH</b> Union Bulkhead  Page N57		<b>66PLPBH</b> Female Bulkhead  Page N57	<b>62PWBH</b> Union Bulkhead  Page N60	<b>66PWBH</b> Female Bulkhead  Page N60

Drains
Lockout Valves
AirGuard
Mufflers
Ball Valve / Plug Valves
Quick Couplings
Hose Products
Fittings
<b>N</b>
Airline Accessories



For inventory, lead time, and kit lookup, visit [www.pdnplu.com](http://www.pdnplu.com)

## Prestolok Metal Fittings

## Air Preparation Products Accessories

Drains
Lockout Valves
AirGuard
Mufflers
Ball Valve / Plug Valves
Quick Couplings
Hose Products
Fittings
<b>N</b>
Airline Accessories

A compact one-piece push-to-connect fitting. Designed for low pressure circuits where assembly, disassembly and reassembly is important. Stainless steel grab ring grips the tubing to provide retention. Swivels are featured on all male pipe threaded shapes for installation in tight places and for precise positioning. Prestolok should not be used for live swivel applications. Prestolok fittings come with a pre-applied white acrylic sealant.

**CAUTION:** All current manufacturers of 85A PU tubing do not approve the use of push-to-connect fittings with their product.

Testing has shown acceptable use with certain O.D. – I.D. combinations. Applications and service conditions vary and therefore the use of a tube support may be required for any 85A PU tubing.

The following commercially available O.D. – I.D. 85A tubing sizes require the use of a tube support regardless of application.

5/32" – 3/32"	3/16" – 1/8"	1/4" – .170"	1/4" – 3/16"
5/16" – 1/4"	3/8" – 5/16"	1/2" – 3/8"	



### Operating information

Pressure Range:	Up to 300 PSI depending on tubing
Temperature Range:	0°F to 200°F
Vacuum capability:	28" Hg
Tube sizes:	inch 1/8, 3/16, 5/32, 1/4, 5/16, 3/8, 1/2
	mm 4,6,8,10,12,14

Note: Vacuum applications are dependent upon temperature and type of tubing used.

### Nomenclature

**Example:**

W 68 PLP - 4 - 2

### Recommended Tubing

Prestolok nickel plated and composite fittings are designed to be used with the following Parker Hannifin Parflex Division tubing.

Tubing Series	Tubing Material
E	Linear Low Density Polyethylene
PP	Polypropylene
N	Plasticized Polyamide (nylon)
NR	Unplasticized Polyamide (rigid nylon)
U	Polyurethane 90 Durometer Shore A
HU	Polyurethane 95 Durometer Shore A

Other materials for Prestolok inch sized nickel plated fittings: Polyurethane 85 Durometer Shore A

### Assembly Instructions

1. Cut thermoplastic tubing squarely, using Parker Tube Cutter PTC-001. Be certain the port or mating part is clean and free of debris.
2. Insert tubing into fitting until it bottoms. A slight twisting motion will ease the insertion. Pull on tubing to verify it is properly retained in the fitting.
3. To disassemble, simply push the release button against the body and remove tubing.
4. It is recommended to trim the tubing after every disassembly to insure a proper seal.

### Material specifications

Nickel plated bodies:	Nickel plated brass
O-ring:	Nitrile (other compounds available on request)
Release button:	Polyacetal
Grab ring:	Stainless steel

Note: For brass body Prestolok replace PLP with PLN

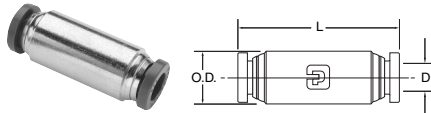


For inventory, lead times, and kit lookup, visit [www.pdnplu.com](http://www.pdnplu.com)



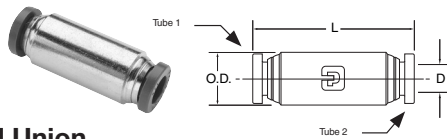
# Prestolok Metal Fittings

# Air Preparation Products Accessories



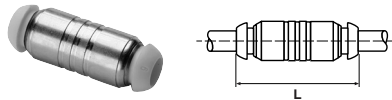
## 62PLP Union

Part number	Tube size (In.)	O.D.	L	Flow dia. D
62PLP-2	1/8	.375	1.40	.094
62PLP-3	3/16	.437	1.41	.156
62PLP-5/32	5/32	.375	1.41	.125
62PLP-4	1/4	.500	1.43	.188
62PLP-5	5/16	.562	1.65	.250
62PLP-6	3/8	.625	1.66	.312
62PLP-8	1/2	.750	1.82	.375



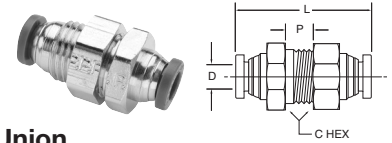
## 62PLP Unequal Union

Part number	Tube 1 size (In.)	Tube 2 size (In.)	O.D.	L	Flow dia. D
62PLP-5/32-2	5/32	1/8	.375	1.41	.094
62PLP-4-2	1/4	1/8	.500	1.43	.094
62PLP-4-5/32	1/4	5/32	.500	1.43	.125
62PLP-4-6	1/4	3/8	.625	1.66	.188
62PLP-6-8	3/8	1/2	.750	1.82	.312



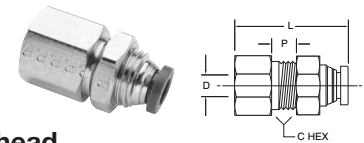
## HPB Equal Union

Part number	Tube Size (mm)	L
HPB4	4	33.0
HPB5	5	34.5
HPB6	6	36.0
HPB8	8	38.0
HPB10	10	48.0
HPB12	12	48.0
HPB14	14	54.0



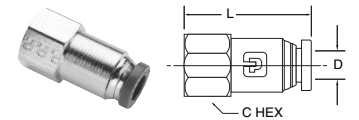
## 62PLPBH Bulkhead Union

Part number	Tube size (In.)	Bulkhead hole dia. B	C Hex	P Max.	L	D
62PLPBH-2	1/8	7/16	9/16	.39	1.40	.094
62PLPBH-5/32	5/32	7/16	9/16	.39	1.41	.125
62PLPBH-4	1/4	9/16	11/16	.29	1.43	.188
62PLPBH-5	5/16	5/8	3/4	.60	1.65	.250
62PLPBH-6	3/8	3/4	7/8	.54	1.66	.312
62PLPBH-8	1/2	7/8	1	.66	2.04	.375



## 66PLPBH Female Bulkhead

Part number	Tube size (In.)	Pipe thd (NPTF)	C Hex	P Max.	L	Flow dia. D	Bkhd hole dia.
66PLPBH-5/32-4	5/32	1/4	11/16	.19	1.39	.125	1/2
66PLPBH-4-4	1/4	1/4	11/16	.24	1.35	.188	9/16
66PLPBH-6-6	3/8	3/8	1	.22	1.47	.312	7/8
66PLPBH-8-6	1/2	3/8	11/4	.35	1.56	.344	1



## 66PLP Female Connector

Part number	Tube size (In.)	Pipe thread (NPTF)	C Hex	L	Flow dia. D
66PLP-2-2	1/8	1/8	9/16	1.17	.094
66PLP-2-4	1/8	1/4	11/16	1.34	.094
66PLP-3-2	3/16	1/8	9/16	1.13	.156
66PLP-5/32-2	5/32	1/8	9/16	1.17	.125
66PLP-5/32-4	5/32	1/4	11/16	1.38	.125
66PLP-4-2	1/4	1/8	9/16	1.17	.188
66PLP-4-4	1/4	1/4	11/16	1.38	.188
66PLP-5-2	5/16	1/8	9/16	1.25	.250
66PLP-5-4	5/16	1/4	11/16	1.45	.250
66PLP-6-4	3/8	1/4	11/16	1.46	.312
66PLP-6-6	3/8	3/8	13/16	1.51	.312

Drains

Lockout Valves

AirGuard

Mufflers

Ball Valve / Plug Valves

Quick Couplings

Hose Products

Fittings

Airline Accessories

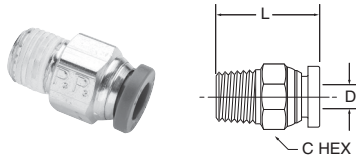


For inventory, lead time, and kit lookup, visit [www.pdnplu.com](http://www.pdnplu.com)

N57

**Parker Hannifin Corporation**  
Pneumatic Division  
Richland, Michigan  
[www.parker.com/pneumatics](http://www.parker.com/pneumatics)

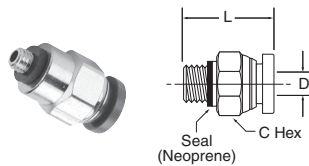
Drains
Lockout Valves
AirGuard
Mufflers
Ball Valve / Plug Valves
Quick Couplings
Hose Products
Fittings
<b>N</b> Airline Accessories



**W68PLP Male Connector**

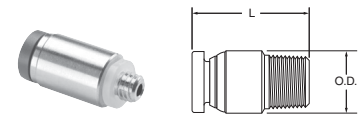
Part number	Tube size (In.)	Pipe thd (NPTF)	C Hex	I	Flow dia. D
W68PLP-2-1	1/8	1/16	3/8	.79	.094
W68PLP-2-2	1/8	1/8	7/16	.79	.094
W68PLP-2-4	1/8	1/4	9/16	1.02	.094
W68PLP-3-2	3/16	1/8	7/16	.85	.156
W68PLP-3-4	3/16	1/4	9/16	1.01	.156
W68PLP-5/32-1	5/32	1/16		.88	.940
W68PLP-5/32-2	5/32	1/8	7/16	.80	.125
W68PLP-5/32-4	5/32	1/4	9/16	1.03	.125
W68PLP-4-1	1/4	1/16	1/2	1.07	.141
W68PLP-4-2	1/4	1/8	1/2	.89	.188
W68PLP-4-4	1/4	1/4	9/16	1.00	.188
W68PLP-4-6	1/4	3/8	3/4	1.04	.188
W68PLP-5-2	5/16	1/8	9/16	1.18	.250
W68PLP-5-4	5/16	1/4	9/16	1.04	.250
W68PLP-5-6	5/16	3/8	11/16	1.04	.250
W68PLP-6-2	3/8	1/8	5/8	1.21	.250
W68PLP-6-4	3/8	1/4	5/8	1.08	.312
W68PLP-6-6	3/8	3/8	11/16	1.02	.312
W68PLP-6-8	3/8	1/2	7/8	1.28	.312
W68PLP-8-4	1/2	1/4	13/16	1.44	.344
W68PLP-8-6	1/2	3/8	13/16	1.24	.344
W68PLP-8-8	1/2	1/2	7/8	1.35	.375
68PLP-5/32-4LT*	5/32	1/4-28	7/16	.88	.093

\*SAE-LT Threads



**68PLP-X-0 Male Connector**

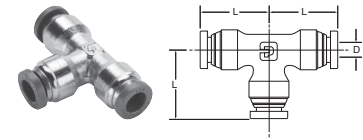
Part number	Tube size (In.)	Pipe thread (NPTF)	C Hex	I	Flow dia. D
68PLP-2-0	1/8	10x32	3/8	.92	.094
68PLP-5/32-0	5/32	10x32			
68PLP-4-0	1/4	10x32	1/2	.96	.094



**68PLPR Round Body Male Connector**

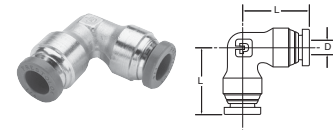
Part number	Tube size (In.)	Thread size NPTF	Internal hex broach	Body dia. O.D.	L	Flow dia.
68PLPR-2-0*	1/8	10-32	3/32	3/8"	.89	.094
68PLPR-5/32-0*	5/32	10-32	3/32	3/8"	.91	.094
68PLPR-4-0*	1/4	10-32	3/32	1/2"	.95	.094
W68PLPR-5/32-1	5/32	1/16	1/8	7/16"	.87	.125
W68PLPR-5/32-2	5/32	1/8	1/8	7/16"	.79	.125
W68PLPR-4-1	1/4	1/16	5/32	1/2"	1.06	.156
W68PLPR-4-2	1/4	1/8	3/16	1/2"	.88	.188
W68PLPR-4-4	1/4	1/4	3/16	5/8"	.99	.188

\*10-32 seal is neoprene



**164PLP Union Tee**

Part number	Tube size (In.)	L	Flow dia. D
164PLP-2	1/8	.74	.094
164PLP-3	3/16	.82	.156
164PLP-5/32	5/32	.77	.125
164PLP-4	1/4	.85	.188
164PLP-5	5/16	.97	.250
164PLP-6	3/8	1.01	.250
164PLP-8	1/2	1.15	.375



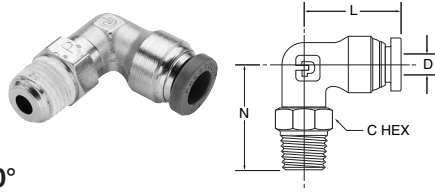
**165PLP Union Elbow**

Part number	Tube size (In.)	L	Flow dia. D
165PLP-2	1/8	.74	.094
165PLP-5/32	5/32	.77	.125
165PLP-3	3/16	.82	.156
165PLP-4	1/4	.85	.188
165PLP-5	5/16	.97	.250
165PLP-6	3/8	1.01	.312
165PLP-8	1/2	1.15	.375



For inventory, lead times, and kit lookup, visit [www.pdnplu.com](http://www.pdnplu.com)

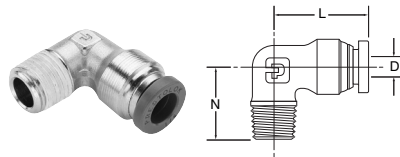
# Prestolok Metal Fittings



**W169PLP Male Elbow Swivel 90°**

Part number	Tube size (In.)	Pipe thread (NPTF)	C Hex	I	N	Flow dia. D
W169PLP-2-1	1/8	1/16	3/8	.74	.93	.160
W169PLP-2-2	1/8	1/8	7/16	.74	.92	.094
169PLP-2-0*	1/8	10-32	3/8	.74	.74	.080
W169PLP-2-4	1/8	1/4	9/16	.74	1.10	.094
W169PLP-3-2	3/16	1/8	7/16	.82	.92	.156
W169PLP-5/32-1	5/32	1/16	3/8	.84	.93	.160
W169PLP-5/32-2	5/32	1/8	7/16	.77	.92	.125
W169PLP-5/32-4	5/32	1/4	9/16	.77	1.10	.125
169PLP-5/32-0*	5/32	10-32	3/8	.85	.74	.080
W169PLP-4-1	1/4	1/16	3/8	.84	.93	.160
W169PLP-4-2	1/4	1/8	7/16	.85	.92	.156
W169PLP-4-4	1/4	1/4	9/16	.85	1.10	.156
W169PLP-4-6	1/4	3/8	11/16	.85	1.19	.156
169PLP-4-0*	1/4	10-32	3/8	.85	.74	.080
W169PLP-5-2	5/16	1/8	9/16	.97	1.02	.250
W169PLP-5-4	5/16	1/4	9/16	.97	1.24	.250
W169PLP-6-2	3/8	1/8	9/16	1.01	1.02	.250
W169PLP-6-4	3/8	1/4	9/16	1.01	1.24	.250
W169PLP-6-6	3/8	3/8	11/16	1.01	1.24	.250
W169PLP-6-8	3/8	1/2	7/8	1.01	1.48	.250
W169PLP-8-4	1/2	1/4	9/16	1.15	1.28	.312
W169PLP-8-6	1/2	3/8	11/16	1.15	1.31	.312
W169PLP-8-8	1/2	1/2	7/8	1.15	1.52	.312

\*10-32 seal is neoprene

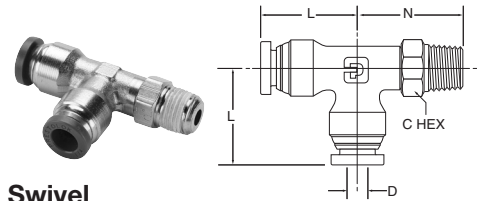


**W169PLPNS Male Elbow 90°**

Part number	Tube size (In.)	Pipe thread (NPTF)	L	N	Flow dia. D
W169PLPNS-2-2	1/8	1/8	.74	.67	.094
W169PLPNS5/32-2	5/32	1/8	.77	.67	.125
W169PLPNS5/32-4	5/32	1/4	.77	.87	.125
W169PLPNS-4-2	1/4	1/8	.85	.67	.188
W169PLPNS-4-4	1/4	1/4	.85	.87	.188
W169PLPNS-5-2	5/16	1/8	.97	.75	.234
W169PLPNS-5-4	5/16	1/4	.97	.94	.250
W169PLPNS-6-4	3/8	1/4	1.01	.94	.312
W169PLPNS-6-6	3/8	3/8	1.01	1.01	.312
W169PLPNS-6-8	3/8	1/2	1.01	1.27	.312
W169PLPNS-8-6	1/2	3/8	1.15	1.00	.375
W169PLPNS-8-8	1/2	1/2	1.15	1.27	.375
169PLPNS532-4LT*	5/32	1/4-28	.60	.48	.090

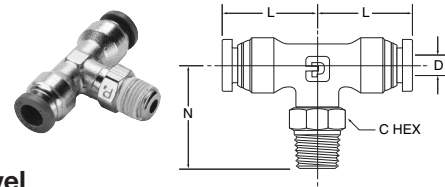
\* SAE-LT Threads

# Air Preparation Products Accessories



**W171PLP Male Run Tee Swivel**

Part number	Tube size (In.)	Pipe thread (NPTF)	C Hex	L	N	Flow Dia. D
W171PLP-2-2	1/8	1/8	7/16	.74	.92	.094
W171PLP-5/32-2	5/32	1/8	7/16	.77	.92	.125
W171PLP-4-2	1/4	1/8	7/16	.85	.92	.156
W171PLP-4-4	1/4	1/4	9/16	.85	1.10	.156
W171PLP-4-6	1/4	3/8	11/16	.85	1.24	.156
W171PLP-5-2	5/16	1/8	9/16	.97	1.02	.250
W171PLP-5-4	5/16	1/4	9/16	.97	1.24	.250
W171PLP-6-4	3/8	1/4	9/16	1.01	1.24	.250
W171PLP-6-6	3/8	3/8	11/16	1.01	1.24	.250
W171PLP-8-6	1/2	3/8	11/16	1.15	1.31	.312
W171PLP-8-8	1/2	1/2	7/8	1.15	1.52	.312



**W172PLP Male Branch Tee Swivel**

Part number	Tube size (In.)	Pipe thread (NPTF)	C Hex	L	N	Flow dia. D
W172PLP-2-2	1/8	1/8	7/16	.74	.92	.094
W172PLP-3-2	3/16	1/8	7/16	.82	.92	.156
W172PLP-5/32-2	5/32	1/8	7/16	.77	.92	.125
W172PLP-4-2	1/4	1/8	7/16	.85	.92	.156
W172PLP-4-4	1/4	1/4	9/16	.85	1.10	.156
W172PLP-4-6	1/4	3/8	11/16	.85	1.10	.156
W172PLP-5-2	5/16	1/8	9/16	.97	1.02	.250
W172PLP-5-4	5/16	1/4	9/16	.97	1.24	.250
W172PLP-6-4	3/8	1/4	9/16	1.01	1.24	.250
W172PLP-6-6	3/8	3/8	11/16	1.01	1.24	.250
W172PLP-8-4	1/2	1/4	9/16	1.15	1.30	.312
W172PLP-8-6	1/2	3/8	11/16	1.15	1.31	.312
W172PLP-8-8	1/2	1/2	7/8	1.15	1.52	.312



For inventory, lead time, and kit lookup, visit [www.pdnplu.com](http://www.pdnplu.com)

N59

[www.comoso.com](http://www.comoso.com)

**Parker Hannifin Corporation**  
Pneumatic Division  
Richland, Michigan  
[www.parker.com/pneumatics](http://www.parker.com/pneumatics)

Drains

Lockout Valves

AirGuard

Mufflers

Ball Valve / Plug Valves

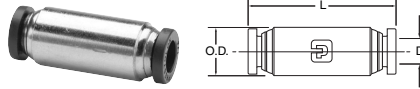
Quick Couplings

Hose Products

Fittings

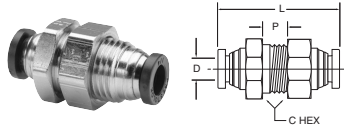
Airline Accessories

Drains  
Lockout Valves  
AirGuard  
Mufflers  
Ball Valve / Plug Valves  
Quick Couplings  
Hose Products  
Fittings  
N Airline Accessories



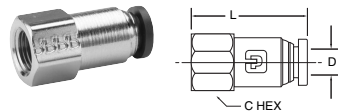
**62PW Union  
(Nickel Plated)**

Part number	Tube size (In.)	O.D.	L	Flow dia. D
62PW-4	1/4	.500	1.43	.188
62PW-5	5/16	.562	1.65	.250
62PW-6	3/8	.625	1.66	.312
62PW-8	1/2	.750	1.82	.375



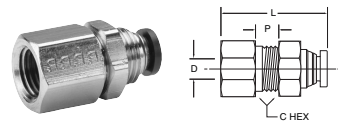
**62PWBH Bulkhead Union  
(Nickel Plated)**

Part number	Tube size (In.)	Bulkhead hole dia. B	C Hex	P Max.	L	D
62PWBH-4	1/4	9/16	11/16	.29	1.43	.188
62PWBH-5	5/16	5/8	3/4	.60	1.65	.250
62PWBH-6	3/8	3/4	7/8	.54	1.66	.312
62PWBH-8	1/2	7/8	1	.66	2.04	.375



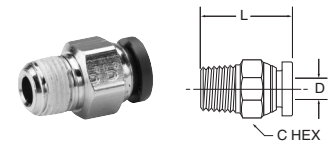
**66PW Female Connector  
(Nickel Plated)**

Part number	Tube size (In.)	Pipe thread (NPTF)	C Hex	L	Flow dia. D
66PW-4-2	1/4	1/8	9/16	1.17	.188
66PW-4-4	1/4	1/4	11/16	1.38	.188
66PW-5-2	5/16	1/8	9/16	1.25	.250
66PW-5-4	5/16	1/4	11/16	1.45	.250
66PW-6-4	3/8	1/4	11/16	1.46	.312
66PW-6-6	3/8	3/8	13/16	1.51	.312



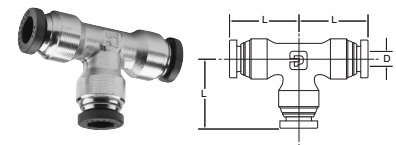
**66PWBH Female Bulkhead  
(Nickel Plated)**

Part number	Tube size (In.)	Thread (NPTF)	C Hex	P Max.	L	Flow dia. D	Bulkhead hole dia.
66PWBH-4-4	1/4	1/4	11/16	.24	1.35	.188	9/16
66PWBH-6-6	3/8	3/8	1	.22	1.47	.312	7/8
66PWBH-8-6	1/2	3/8	11/4	.35	1.56	.344	1



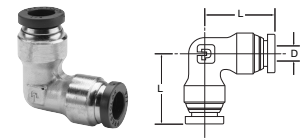
**W68PW Male Connector  
(Nickel Plated)**

Part number	Tube Size (In.)	Thread (NPTF)	C Hex	L	Flow dia. D
W68PW-4-2	1/4	1/8	1/2	.89	.188
W68PW-4-4	1/4	1/4	9/16	1.00	.188
W68PW-4-6	1/4	3/8	3/4	1.04	.188
W68PW-5-2	5/16	1/8	9/16	1.18	.250
W68PW-5-4	5/16	1/4	9/16	1.04	.250
W68PW-5-6	5/16	3/8	11/16	1.04	.250
W68PW-6-2	3/8	1/8	5/8	1.21	.250
W68PW-6-4	3/8	1/4	5/8	1.08	.312
W68PW-6-6	3/8	3/8	11/16	1.02	.312
W68PW-6-8	3/8	1/2	7/8	1.28	.312
W68PW-8-4	1/2	1/4	13/16	1.44	.344
W68PW-8-6	1/2	3/8	13/16	1.24	.344
W68PW-8-8	1/2	1/2	7/8	1.35	.375



**164PW Union Tee  
(Nickel Plated)**

Part number	Tube size (In.)	L	Flow dia. D
164PW-4	1/4	.85	.188
164PW-5	5/16	.97	.250
164PW-6	3/8	1.01	.250
164PW-8	1/2	1.15	.375



**165PW Union Elbow  
(Nickel Plated)**

Part number	Tube size (In.)	L	Flow dia. D
165PW-4	1/4	.85	.188
165PW-5	5/16	.97	.250
165PW-6	3/8	1.01	.312
165PW-8	1/2	1.15	.375



For inventory, lead times, and kit lookup, visit [www.pdnplu.com](http://www.pdnplu.com)

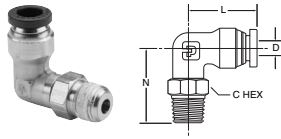
N60

**Parker Hannifin Corporation**  
Pneumatic Division  
Richland, Michigan  
[www.parker.com/pneumatics](http://www.parker.com/pneumatics)

**Prestolok Metal Fittings**

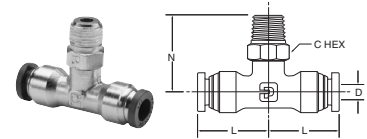
**Air Preparation Products  
Accessories**

**W169PW Male Elbow  
Swivel 90°  
(Nickel Plated)**



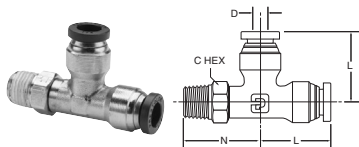
Part number	Pipe size (In.)	Thread (NPTF)	C Hex	L	N	Flow dia. D
W169PW-4-2	1/4	1/8	7/16	.85	.92	.156
W169PW-4-4	1/4	1/4	9/16	.85	1.10	.156
W169PW-4-6	1/4	3/8	11/16	.85	1.19	.156
W169PW-5-2	5/16	1/8	9/16	.97	1.02	.250
W169PW-5-4	5/16	1/4	9/16	.97	1.24	.250
W169PW-6-2	3/8	1/8	9/16	1.01	1.02	.250
W169PW-6-4	3/8	1/4	9/16	1.01	1.24	.250
W169PW-6-6	3/8	3/8	11/16	1.01	1.24	.250
W169PW-6-8	3/8	1/2	7/8	1.01	1.48	.250
W169PW-8-4	1/2	1/4	9/16	1.15	1.28	.312
W169PW-8-6	1/2	3/8	11/16	1.15	1.31	.312
W169PW-8-8	1/2	1/2	7/8	1.15	1.52	.312

**W172PW Male  
Branch Tee Swivel  
(Nickel Plated)**



Part number	Pipe size (In.)	Thread (NPTF)	C Hex	L	N	Flow dia. D
W172PW-4-2	1/4	1/8	7/16	.85	.92	.156
W172PW-4-4	1/4	1/4	9/16	.85	1.10	.156
W172PW-4-6	1/4	3/8	11/16	.85	1.10	.156
W172PW-5-2	5/16	1/8	9/16	.97	1.02	.250
W172PW-5-4	5/16	1/4	9/16	.97	1.24	.250
W172PW-6-4	3/8	1/4	9/16	1.01	1.24	.250
W172PW-6-6	3/8	3/8	11/16	1.01	1.24	.250
W172PW-8-4	1/2	1/4	9/16	1.15	1.30	.312
W172PW-8-6	1/2	3/8	11/16	1.15	1.31	.312
W172PW-8-8	1/2	1/2	7/8	1.15	1.52	.312

**W171PW Male  
Run Tee Swivel  
(Nickel Plated)**



Part number	Tube Size (In.)	Pipe Thread (NPTF)	C Hex	L	N	Flow Dia. D
W171PW-4-2	1/4	1/8	7/16	.85	.92	.156
W171PW-4-4	1/4	1/4	9/16	.85	1.10	.156
W171PW-4-6	1/4	3/8	11/16	.85	1.24	.156
W171PW-5-2	5/16	1/8	9/16	.97	1.02	.250
W171PW-5-4	5/16	1/4	9/16	.97	1.24	.250
W171PW-6-4	3/8	1/4	9/16	1.01	1.24	.250
W171PW-6-6	3/8	3/8	11/16	1.01	1.24	.250
W171PW-8-6	1/2	3/8	11/16	1.15	1.31	.312
W171PW-8-8	1/2	1/2	7/8	1.15	1.52	.312

Drains

Lockout  
Valves

AirGuard

Mufflers

Ball Valve /  
Plug Valves

Quick  
Couplings

Hose  
Products

Fittings

**N**

























Airline  
Accessories



For inventory, lead time, and kit lookup, visit [www.pdnplu.com](http://www.pdnplu.com)

N61

**Parker Hannifin Corporation**  
Pneumatic Division  
Richland, Michigan  
[www.parker.com/pneumatics](http://www.parker.com/pneumatics)

Drains Lockout Valves AirGuard Mufflers Ball Valve / Plug Valves Quick Couplings Hose Products Fittings <b>N</b> Airline Accessories	<b>Industrial Pipe Fittings</b>	<b>207ACBH</b> Anchor Coupling  Page N54	<b>207P</b> Pipe Coupling  Page N54	<b>208P</b> Reducer Coupling  Page N54	<b>209P</b> Pipe Bushing  Page N54	<b>210P</b> Lock Nut  Page N54
	<b>211P</b> Square-head Plug  Page N54	<b>212P</b> Union  Page N54	<b>213P</b> Cap  Page N55	<b>215PN</b> Close Nipple  Page N55	<b>215PNL</b> Long Nipple  Page N55	<b>216P</b> Hex Nipple  Page N55
	<b>218P</b> Hex-Head Plug  Page N55	<b>219P</b> Countersunk Plug  Page N55	<b>220P</b> Slotted-Head Plug  Page N56	<b>222P</b> Adapter  Page N56	<b>1200P-2200P</b> Union Elbow  Page N56	<b>1202P-2202P</b> Street Elbow  Page N56
	<b>1203P-2203P</b> Union Tee  Page N56	<b>1204P</b> Male Elbow  Page N56	<b>2224P</b> Male Branch Tee  Page N57	<b>2225P</b> Street Tee  Page N57	<b>1201P-2201P</b> 45° Female Elbow  Page N57	<b>2205P</b> Cross  Page N57
	<b>2214P</b> 45° Street Elbow  Page N57					

## Pipe Fittings

All pipe fittings meet functional requirements of SAE J530 and SAE J531. Threads are made to Dryseal standards.

### Pipe thread assembly guide (turns method) for Dryseal threads with pre-applied Vibra Seal

#### Straight Fittings

1. Tighten external thread into the internal thread.
2. Tighten an additional 2 revolutions with a wrench up to 1/2 in. male pipe thread. Above 1/2 in., 1-1/2 to 2-1/2 revolutions.

#### Elbow or Tee Fittings

1. Tighten external thread into the internal thread.
2. Tighten an additional 1 to 1-1/2 revolutions with a wrench.
3. Tighten fitting, Clockwise, to Align with Tubing (never counter clockwise).

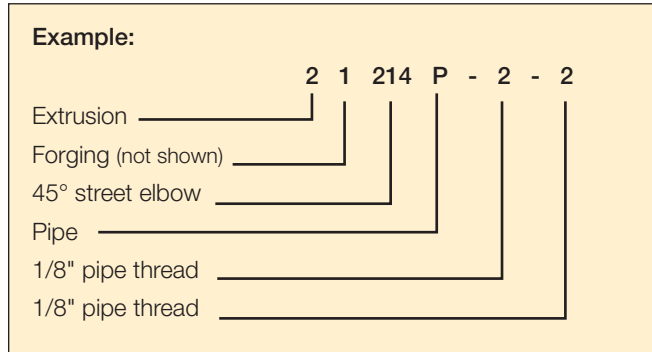
**Note:** To minimize the possibility of a leaking threaded joint after assembling male to female pipe threads, neither end should be backed out (loosened) once the assembly has been made.



#### Operating information

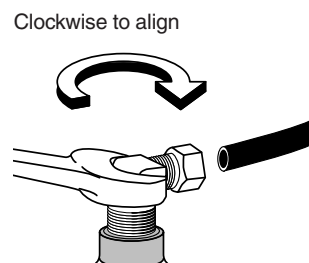
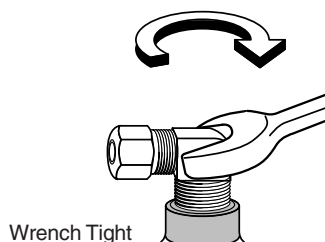
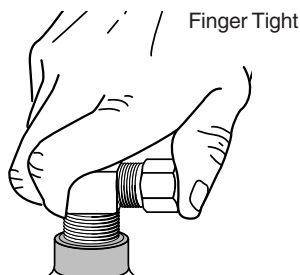
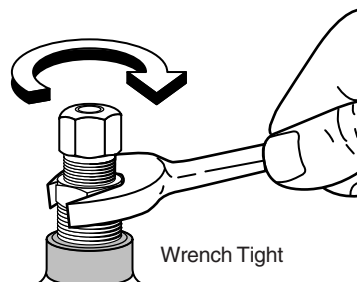
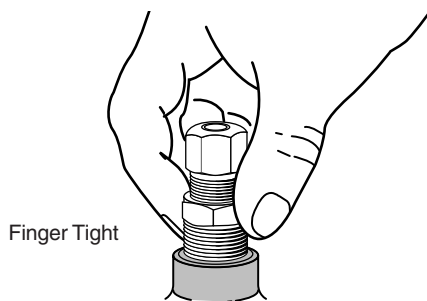
Pressure Range:	Up to 1,000 psi
Temperature Range:	-65°F to 250°F
Tube sizes:	inch 1/8, 1/4, 3/8, 1/2, 3/4, 1

#### Nomenclature



#### Material specifications

Tube material	Copper, brass, iron pipe
Fittings:	CA345, CA360, CA377



For inventory, lead time, and kit lookup, visit [www.pdnplu.com](http://www.pdnplu.com)

N63

**Parker Hannifin Corporation**  
 Pneumatic Division  
 Richland, Michigan  
[www.parker.com/pneumatics](http://www.parker.com/pneumatics)

Drains

Lockout  
Valves

AirGuard

Mufflers

Ball Valve /  
Plug Valves

Quick  
Couplings

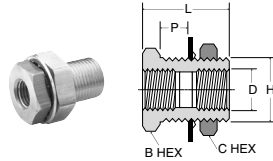
Hose  
Products

Fittings

**N**

Airline  
Accessories

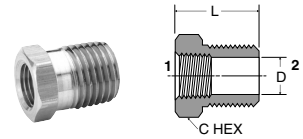
Drains
Lockout Valves
AirGuard
Mufflers
Ball Valve / Plug Valves
Quick Couplings
Hose Products
Fittings
<b>N</b> Airline Accessories



**207ACBH Anchor Coupling**

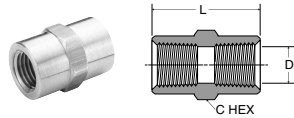
Part number	Female pipe thread	Straight thread	Max. bulk head P	B Hex	C Hex	L	Blkhd hole dia. H	Flow dia. D
207ACBH-2	1/8	5/8-18	.89	7/8	15/16	1.50	5/8	.339
207ACBHS-2	1/8	5/8-18	.35	7/8	15/16	.96	5/8	.339
207ACBH-4	1/4	3/4-16	.81	1	1-1/8	1.50	3/4	.441
207ACBHS-4	1/4	3/4-16	.26	1	1	.94	3/4	.441
207ACBH-6	3/8	1-14	.62	1-1/8	1-1/4	1.31	1	.571
207ACBH-8	1/2	1-1/8-14	.75	1-1/4	1-3/8	1.50	1-1/8	.703
207ACBH-12	3/4	1-5/16-12	.65	1-1/2	1-1/2	1.50	1-5/16	.906
207ACBH-16*	1	1-5/8-14	1.00	2	2	1.68	1-5/8	1.140

\*Lock washer not available



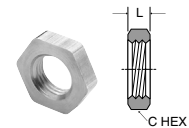
**209P Bushing**

Part number	1 Pipe thread	2 Pipe thread	C Hex	L	Flow dia. D
209P-4-2	1/8	1/4	9/16	.75	.339
209P-6-2	1/8	3/8	11/16	.75	.339
209P-6-4	1/4	3/8	3/4	.75	.441
209P-8-2	1/8	1/2	7/8	1.00	.339
209P-8-4	1/4	1/2	7/8	1.00	.441
209P-8-6	3/8	1/2	7/8	1.00	.571
209P-12-2	1/8	3/4	1-1/8	1.00	.339
209P-12-4	1/4	3/4	1-1/8	1.00	.441
209P-12-6	3/8	3/4	1-1/8	1.00	.571
209P-12-8	1/2	3/4	1-1/8	1.00	.703
209P-16-8	1/2	1	1-3/8	1.31	.703
209P-16-12	3/4	1	1-3/8	1.31	.906



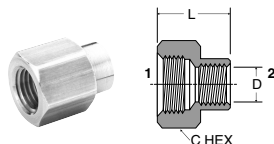
**207P Coupling**

Part number	Pipe thread	C Hex	L	Flow dia. D
207P-2	1/8	9/16	.75	.339
207P-4	1/4	3/4	1.12	.441
207P-6	3/8	7/8	1.12	.571
207P-8	1/2	1-1/16	1.50	.703
207P-12	3/4	1-3/8	1.53	.906



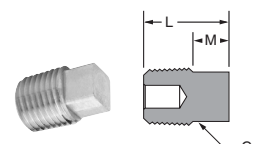
**210P Lock Nut**

Part number	Pipe thread	C Hex	L
210P-2	1/8 NPSL	11/16	.19
210P-4	1/4 NPSL	7/8	.25
210P-6	3/8 NPSL	1	.25
210P-8	1/2 NPSL	1-1/8	.25



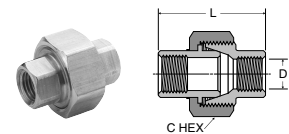
**208P Reducer Coupling**

Part number	1 Pipe thread	2 Pipe thread	C Hex	L	Flow dia. D
208P-4-2	1/4	1/8	3/4	.97	.339
208P-6-4	3/8	1/4	7/8	1.16	.441
208P-8-4	1/2	1/4	1-1/16	1.28	.441
208P-8-6	1/2	3/8	1-1/16	1.38	.571
208P-12-6	3/4	3/8	1-3/8	1.32	.571
208P-12-8	3/4	1/2	1-3/8	1.50	.703



**211P Square-Head Plug**

Part number	Pipe thread	C	L	M
211P-2	1/8	9/32	.59	.25
211P-4	1/4	3/8	.80	.29
211P-6	3/8	7/16	.83	.32
211P-8	1/2	9/16	1.07	.39
211P-12	3/4	5/8	1.14	.45



**212P Union**

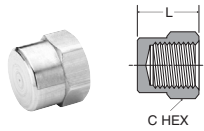
Part number	Pipe thread	C Hex	L	D
212P-4	1/4	1-3/16	1.54	.441
212P-6	3/8	1-1/4	1.76	.571



For inventory, lead times, and kit lookup, visit [www.pdnplu.com](http://www.pdnplu.com)

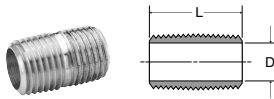


**213P Cap**



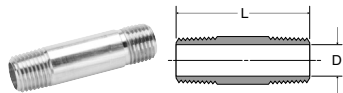
Part number	Pipe thread	C Hex	L
213P-2	1/8	9/16	.50
213P-4	1/4	11/16	.63
213P-6	3/8	13/16	.63
213P-8	1/2	1-1/16	.87
213P-12	3/4	1-1/4	.89

**215PN Close Nipple**



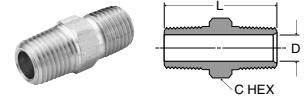
Part number	Pipe thread	L	Flow dia. D
215PN-2	1/8	.75	.281
215PN-4	1/4	.88	.375
215PN-6	3/8	1.00	.500
215PN-8	1/2	1.13	.625
215PN-12	3/4	1.31	.750

**215PNL Long Nipple**



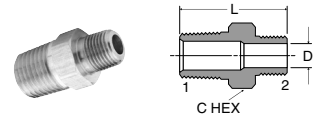
Part number	Pipe thread	L	Flow dia. D
215PNL-2-15	1/8	1-1/2	.250
215PNL-4-15	1/4	1-1/2	.375
215PNL-6-15	3/8	1-1/2	.500
215PNL-8-15	1/2	1-1/2	.625
215PNL-2-20	1/8	2	.250
215PNL-4-20	1/4	2	.375
215PNL-6-20	3/8	2	.500
215PNL-8-20	1/2	2	.625
215PNL-2-25	1/8	2-1/2	.250
215PNL-4-25	1/4	2-1/2	.375
215PNL-6-25	3/8	2-1/2	.500
215PNL-8-25	1/2	2-1/2	.625
215PNL-2-30	1/8	3	.250
215PNL-4-30	1/4	3	.375
215PNL-6-30	3/8	3	.500
215PNL-8-30	1/2	3	.625
215PNL-2-35	1/8	3-1/2	.250
215PNL-4-35	1/4	3-1/2	.375
215PNL-6-35	3/8	3-1/2	.500
215PNL-8-35	1/2	3-1/2	.625

**216P Hex Nipple**



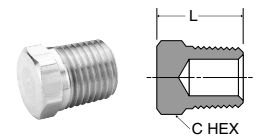
Part number	Pipe thread	C Hex	L	Flow dia. D
216P-2	1/8	7/16	.97	.220
216P-4	1/4	9/16	1.38	.314
216P-6	3/8	11/16	1.41	.440
216P-8	1/2	7/8	1.81	.564
216P-12	3/4	1-1/16	1.81	.752

**216P Hex Nipple Reducers**



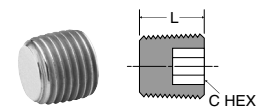
Part number	1 Pipe thread	2 Pipe thread	C Hex	L	Flow dia. D
216P-4-2	1/4	1/8	9/16	1.19	.220
216P-6-2	3/8	1/8	11/16	1.22	.220
216P-6-4	3/8	1/4	11/16	1.41	.314
216P-8-4	1/2	1/4	7/8	1.62	.314
216P-8-6	1/2	3/8	7/8	1.62	.440
216P-12-8	3/4	1/2	1-1/16	1.80	.564

**218P Hex-Head Plug**



Part number	Pipe thread	C Hex	L
218P-2	1/8	7/16	.560
218P-4	1/4	9/16	.747
218P-6	3/8	11/16	.780
218P-8	1/2	7/8	.970
218P-12	3/4	1-1/16	1.054

**219P Countersunk Hex-Head Plug**



Part number	Pipe thread	C Hex	L
219P-2	1/8	3/16	.30
219P-4	1/4	1/4	.46
219P-6	3/8	5/16	.46
219P-8	1/2	3/8	.61
219P-12	3/4	9/16	.62

Drains

Lockout Valves

AirGuard

Mufflers

Ball Valve / Plug Valves

Quick Couplings

Hose Products

Fittings

**N**  
 Airline Accessories

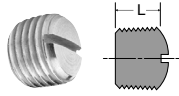


For inventory, lead time, and kit lookup, visit [www.pdnplu.com](http://www.pdnplu.com)

N65

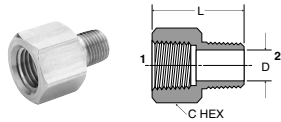
**Parker Hannifin Corporation**  
 Pneumatic Division  
 Richland, Michigan  
[www.parker.com/pneumatics](http://www.parker.com/pneumatics)

Drains
Lockout Valves
AirGuard
Mufflers
Ball Valve / Plug Valves
Quick Couplings
Hose Products
Fittings
<b>N</b> Airline Accessories



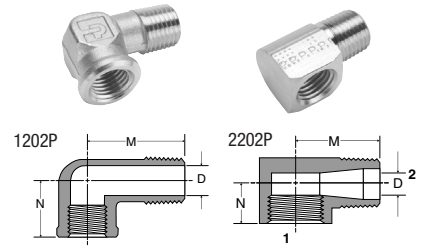
**220P Slotted-Head Plug**

Part number	Pipe thread	L
220P-2	1/8	.31
220P-4	1/4	.42
220P-6	3/8	.43



**222P Adapter**

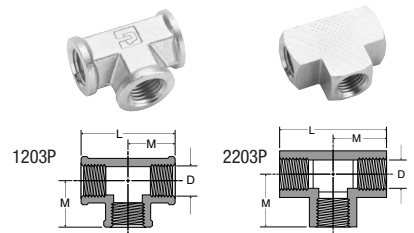
Part number	1 Pipe thread	2 Pipe thread	C Hex	L	Flow Dia. D
222P-2-2	1/8	1/8	9/16	.88	.220
222P-4-2	1/4	1/8	3/4	1.06	.220
222P-4-4	1/4	1/4	3/4	1.25	.314
222P-6-2	3/8	1/8	7/8	1.10	.220
222P-6-4	3/8	1/4	7/8	1.25	.314
222P-6-6	3/8	3/8	7/8	1.25	.440
222P-8-4	1/2	1/4	1	1.47	.314
222P-8-6	1/2	3/8	1-1/16	1.47	.440
222P-8-8	1/2	1/2	1-1/16	1.66	.564
222P-12-6	3/4	3/8	1-3/8	1.50	.440
222P-12-8	3/4	1/2	1-3/8	1.69	.564
222P-12-12	3/4	3/4	1-3/8	1.69	.752



**1202P-2202P  
 90° Street Elbow**

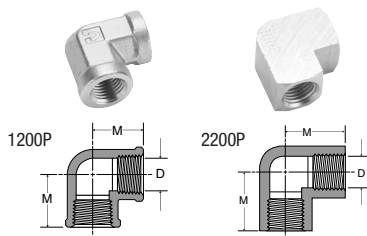
Part number	1 Pipe thread	2 Pipe thread	M	N	Flow dia. D
1202P-2-2	1/8	1/8	.81	.56	.22
2202P-2-2	1/8	1/8	.62	.48	.22
2202PA-2-2*	1/8	1/8	.66	.48	.22
2202P-4-2	1/4	1/8	.72	.45	.23
1202P-4-4	1/4	1/4	1.08	.69	.31
2202P-4-4	1/4	1/4	.91	.45	.34
2202PA-4-4*	1/4	1/4	.91	.72	.31
2202P-4-6	1/4	3/8	.97	.78	.43
1202P-6-4	3/8	1/4	1.25	.78	.31
1202P-6-6	3/8	3/8	1.25	.78	.42
2202P-6-6	3/8	3/8	.98	.54	.41
2202PA-6-6*	3/8	3/8	.97	.78	.43

\*Meets SAE dimensions



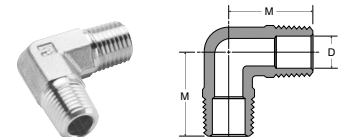
**1203P-2203P  
 Union Tee**

Part number	Pipe thread	L	M	Flow dia. D
1203P-2	1/8	1.12	.56	.339
2203P-2	1/8	1.06	.53	.339
1203P-4	1/4	1.38	.69	.441
2203P-4	1/4	1.52	.76	.441
2203P-6	3/8	1.68	.84	.571
1203P-8	1/2	2.14	1.07	.703
2203P-8	1/2	2.14	1.07	.703
2203P-12	3/4	2.28	1.14	.906



**1200P-2200P  
 90° Union Elbow**

Part number	Pipe thread	M	Flow dia. D
1200P-2-2	1/8	.56	.329
2200P-2-2	1/8	.55	.339
1200P-4-4	1/4	.81	.441
2200P-4-4	1/4	.78	.441
1200P-6-6	3/8	.84	.571
2200P-6-6	3/8	.84	.571
2200P-8-8	1/2	1.07	.703

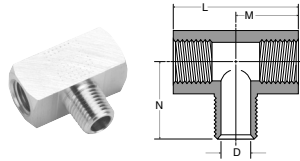


**1204P Male Elbow**

Part number	Pipe thread	M	Flow dia. D
1204P-2	1/8	.71	.220
1204P-4	1/4	1.09	.312
1204P-6	3/8	1.09	.408
1204P-8	1/2	1.41	.502

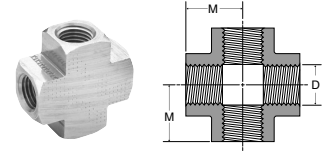


For inventory, lead times, and kit lookup, visit [www.pdnplu.com](http://www.pdnplu.com)



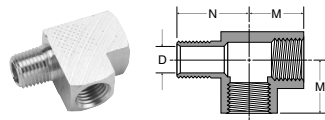
**2224P Male Branch Tee**

Part number	Pipe thread	L	M	N	Flow dia. D
2224P-2	1/8	1.06	.53	.66	.220
2224P-4	1/4	1.52	.76	.91	.314
2224P-6	3/8	1.68	.84	.97	.440
2224P-8	1/2	2.18	1.09	1.25	.564
2224P-12	3/4	2.32	1.16	1.38	.752



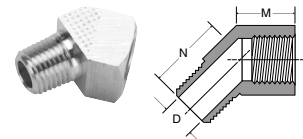
**2205P Cross**

Part number	Pipe thread	M	Flow dia. D
2205P-2	1/8	.53	.339
2205P-4	1/4	.75	.441
2205P-6	3/8	.81	.571
2205P-8	1/2	1.07	.703
2205P-12	3/4	1.14	.906



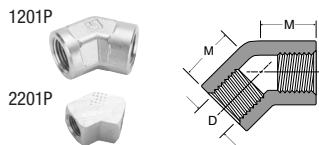
**2225P Street Tee**

Part number	Pipe thread	M	N	Flow dia. D
2225P-2	1/8	.53	.66	.220
2225P-4	1/4	.76	.91	.314
2225P-6	3/8	.84	.98	.440
2225P-8	1/2	1.07	1.26	.564
2225P-12	3/4	1.14	1.38	.752



**2214P 45° Street Elbow**

Part number	Pipe thread	M	N	Flow Dia. D
2214P-2-2	1/8	.38	.50	.220
2214P-4-4	1/4	.54	.70	.314
2214P-6-6	3/8	.56	.78	.440
2214P-8-8	1/2	.73	1.00	.564



**1201P-2201P  
 45° Female Elbow**

Part number	Pipe thread	M	Flow dia. D
2201P-2-2	1/8	.43	.339
1201P-8-8	1/2	.89	.703

Drains

Lockout  
Valves

AirGuard

Mufflers

Ball Valve /  
Plug Valves

Quick  
Couplings

Hose  
Products

Fittings

**N**  
 Airline  
Accessories



For inventory, lead time, and kit lookup, visit [www.pdnplu.com](http://www.pdnplu.com)

N67

**Parker Hannifin Corporation**  
 Pneumatic Division  
 Richland, Michigan  
[www.parker.com/pneumatics](http://www.parker.com/pneumatics)



For inventory, lead times, and kit lookup, visit [www.pdnplu.com](http://www.pdnplu.com)

N68

**Parker Hannifin Corporation**  
Pneumatic Division  
Richland, Michigan  
[www.parker.com/pneumatics](http://www.parker.com/pneumatics)

**Part Number Index,  
Safety Guide, Offer of Sale**

<a href="#">Part Number Index</a>	O2-O18
<a href="#">Safety Guide</a>	O20-O21
<a href="#">Offer of Sale</a>	O23



For inventory, lead time, and kit lookup, visit [www.pdnplu.com](http://www.pdnplu.com)

Model No.	Section / Page No.	Model No.	Section / Page No.	Model No.	Section / Page No.	Model No.	Section / Page No.
003393001.....	M8	06B22A13A2BC.....	E44	06S249B.....	E48	10F01ED.....	D4, J12
003393002.....	M8	06B32A13A2BCG.....	E44	06S253B.....	E48	10F03ED.....	D4, J12
003393003.....	M8	06E12A13AC.....	E26	06T249A.....	E50	10F05ED.....	D4, J12
003393004.....	M8	06E14A13AC.....	E26	06T253A.....	E50	10F07ED.....	D4, J12
02F1BA.....	J2	06E16A13AC.....	E26	07A32A13A2BD.....	E42	10F11ED.....	D4, J12
02FA06A.....	J8	06E18A13AC.....	E26	07A42A13A2BD.....	E42	10F13ED.....	D4, J12
02FA10A.....	J8	06E22A13AC.....	E26	07B32A13A2BD.....	E44	10F15ED.....	D4, J12
02FA22A.....	J8	06E24A13AC.....	E26	07B42A13A2BD.....	E44	10F17ED.....	D4, J12
02L1B.....	J38	06E26A13AC.....	E26	07E32A13AC.....	E28	1155H30.....	N8
02L2B.....	J38	06E28A13AC.....	E26	07E34A13AC.....	E28	118Y51.....	K39
02LFB.....	J38	06E32A13AC.....	E26	07E36A13AC.....	E28	11F12EC.....	E10
045020002.....	N14	06E34A13AC.....	E26	07E38A13AC.....	E28	11F14EC.....	E10
045040004.....	N14	06E36A13AC.....	E26	07E42A13AC.....	E28	11F16EC.....	E10
045060060.....	N14	06E38A13AC.....	E26	07E44A13AC.....	E28	11F18EC.....	E10
045080080.....	N14	06F12AC.....	E4	07E46A13AC.....	E28	11F22EC.....	E10
045120012.....	N14	06F14AC.....	E4	07E48A13AC.....	E28	11F24EC.....	E10
045160016.....	N14	06F16AC.....	E4	07F32AC.....	E6	11F26EC.....	E10
047020002.....	N15	06F18AC.....	E4	07F34AC.....	E6	11F28EC.....	E10
047040004.....	N15	06F22AC.....	E4	07F36AC.....	E6	11F32EC.....	E10
047060006.....	N15	06F24AC.....	E4	07F38AC.....	E6	11F34EC.....	E10
047080008.....	N15	06F26AC.....	E4	07F42AC.....	E6	11F36EC.....	E10
047120012.....	N15	06F28AC.....	E4	07F44AC.....	E6	11F38EC.....	E10
047160016.....	N15	06F32AC.....	E4	07F46AC.....	E6	11R115PC.....	E20, K50
047200020.....	N15	06F34AC.....	E4	07F48AC.....	E6	11R121PC.....	E20, K50
047240024.....	N15	06F36AC.....	E4	07G32A13A2BD.....	E42	11R215PC.....	E20, K50
04L00GB.....	D10, J42	06F38AC.....	E4	07G42A13A2BD.....	E42	11R221PC.....	E20, K50
04L03GB.....	D10, J42	06G12A13A2BC.....	E42	07H32A13A2BD.....	E44	11R315PC.....	E20, K50
04L10GB.....	D10, J42	06G22A13A2BC.....	E42	07H42A13A2BD.....	E44	11R321PC.....	E20, K50
04L13GB.....	D10, J42	06G32A13A2BC.....	E42	07L32BE.....	E40	1200P-2-2.....	N66
05E12A13A.....	E24, J36	06H12A13A2BC.....	E44	07L34BE.....	E40	1200P-4-4.....	N66
05E1PA13A.....	E24, J36	06H22A13A2BC.....	E44	07L42BE.....	E40	1200P-6-6.....	N66
05E22A13A.....	E24, J36	06H32A13A2BCG.....	E44	07L44BE.....	E40	1201P-8-8.....	N67
05E2PA13A.....	E24, J36	06L12BE.....	E38	07P2A.....	E52	1202P-2-2.....	N66
05F12AA.....	E2	06L14BE.....	E38	07R313AC.....	E18, K26	1202P-4-4.....	N66
05F1PAA.....	E2	06L22BE.....	E38	07R318AC.....	E18, K26	1202P-6-4.....	N66
05F22AA.....	E2	06L24BE.....	E38	07R413AC.....	E18, K26	1202P-6-6.....	N66
05F2PAA.....	E2	06L32BE.....	E38	07R418AC.....	E18, K26	1203P-2.....	N66
05R113AD.....	E14, K20	06L34BE.....	E38	07S349B.....	E48	1203P-4.....	N66
05R118AD.....	E14, K20	06P2A.....	E52	07S353B.....	E48	1203P-8.....	N66
05R213AD.....	E14, K20	06R113AC.....	E16	07T349A.....	E50	1204P-2.....	N66
05R218AD.....	E14, K20	06R118AC.....	E16	07T353A.....	E50	1204P-4.....	N66
06A12A13A2BC.....	E42	06R213AC.....	E16	09L84BA.....	H32	1204P-6.....	N66
06A22A13A2BC.....	E42	06R218AC.....	E16	09L8PBA.....	H32	1204P-8.....	N66
06A32A13A2BC.....	E42	06R313AC.....	E16	09R813BA.....	H26, K40	1227A30-001.....	B67
06B12A13A2BC.....	E44	06R318AC.....	E16	1/4 FF-SS.....	F3, F7, F11, F15	1232H30-001.....	B67

Part Number Index

Safety Guide

Offer of Sale

Part Number Index,  
Safety Guide, Offer of Sale



For inventory, lead times, and kit lookup, visit [www.pdnplu.com](http://www.pdnplu.com)

Model No.	Section / Page No.	Model No.	Section / Page No.	Model No.	Section / Page No.	Model No.	Section / Page No.
12E33E13AA.....	E30	15L12NA.....	E32	16E.....	N26	207P-8.....	N64
12E37E13AA.....	E30	15L22NA.....	E32	16G.....	N26	207P-12.....	N64
12E43E13AA.....	E30	15R113FB.....	J28, K12	16G12A13A2BC.....	E42	208P-4-2.....	N64
12E47E13AA.....	E30	15R118FB.....	J28, K12	16G22A13A2BC.....	E42	208P-6-4.....	N64
12F32EC.....	E12	15R213FB.....	J28, K12	16G32A13A2BC.....	E42	208P-8-4.....	N64
12F34EC.....	E12	15R218FB.....	J28, K12	16H12A13A2BC.....	E44	208P-8-6.....	N64
12F36EC.....	E12	16.....	N26	16H22A13A2BC.....	E44	208P-12-6.....	N64
12F38EC.....	E12	16-5B.....	N26	16H32A13A2BCG.....	E44	208P-12-8.....	N64
12F42EC.....	E12	16-5BP.....	N26	16L12BE.....	E34	209P-4-2.....	N64
12F44EC.....	E12	16-6B.....	N26	16L14BE.....	E34	209P-6-2.....	N64
12F46EC.....	E12	16-6BP.....	N26	16L22BE.....	E34	209P-6-4.....	N64
12F48EC.....	E12	16-7B.....	N26	16L24BE.....	E34	209P-8-2.....	N64
12R315PB.....	E22, K52	161X57-SS.....	F11, F15	16L32BE.....	E34	209P-8-4.....	N64
12R321PB.....	E22, K52	164PLP-2.....	N58	16L34BE.....	E34	209P-8-6.....	N64
12R415PB.....	E22, K52	164PLP-3.....	N58	17.....	N26	209P-12-2.....	N64
12R421PB.....	E22, K52	164PLP-4.....	N58	17A32A13A2BD.....	E42	209P-12-4.....	N64
14A01B13F0GF.....	D12	164PLP-5.....	N58	17A42A13A2BD.....	E42	209P-12-6.....	N64
14A11B13F0GF.....	D12	164PLP-5/32.....	N58	17B32A13A2BD.....	E44	209P-12-8.....	N64
14E01B13FC.....	D8, J34	164PLP-6.....	N58	17B42A13A2BD.....	E44	209P-16-12.....	N64
14E03B13FC.....	D8, J34	164PLP-8.....	N58	17E.....	N26	209P-16-8.....	N64
14E05B13FC.....	D8, J34	164PW-4.....	N60	17G.....	N26	20R013GC.....	K104
14E07B13FC.....	D8, J34	164PW-5.....	N60	17G32A13A2BD.....	E42	20R113GC.....	K104
14E11B13FC.....	D8, J34	164PW-6.....	N60	17G42A13A2BD.....	E42	210P-2.....	N64
14E13B13FC.....	D8, J34	164PW-8.....	N60	17H32A13A2BD.....	E44	210P-4.....	N64
14E15B13FC.....	D8, J34	165PLP-2.....	N58	17H42A13A2BD.....	E44	210P-6.....	N64
14E17B13FC.....	D8, J34	165PLP-3.....	N58	17L32BE.....	E36	210P-8.....	N64
14F01BB.....	D2, J6	165PLP-4.....	N58	17L34BE.....	E36	211P-2.....	N64
14F03BB.....	D2, J6	165PLP-5.....	N58	17L42BE.....	E36	211P-4.....	N64
14F05BB.....	D2, J6	165PLP-5/32.....	N58	17L44BE.....	E36	211P-6.....	N64
14F07BB.....	D2, J6	165PLP-6.....	N58	1834C05-001.....	B67	211P-8.....	N64
14F11BB.....	D2, J6	165PLP-8.....	N58	18A57.....	H17	211P-12.....	N64
14F13BB.....	D2, J6	165PW-4.....	N60	18A57.....	K35	212P-4.....	N64
14F15BB.....	D2, J6	165PW-5.....	N60	18B57.....	H19	212P-6.....	N64
14F17BB.....	D2, J6	165PW-6.....	N60	18B57.....	K37	213P-2.....	N65
14G01B13F0GD.....	D12	165PW-8.....	N60	207ACBH-2.....	N64	213P-4.....	N65
14G11B13F0GD.....	D12	169PLP-2-0.....	N59	207ACBH-4.....	N64	213P-6.....	N65
14R013FC.....	D6, J18, K2	169PLP-4-0.....	N59	207ACBH-6.....	N64	213P-8.....	N65
14R018FC.....	D6, J18, K2	169PLP-5/32-0.....	N59	207ACBH-8.....	N64	213P-12.....	N65
14R113FC.....	D6, J18, K2	169PLPNS532-4LT.....	N59	207ACBH-12.....	N64	215PN-2.....	N65
14R118FC.....	D6, J18, K2	16A12A13A2BC.....	E42	207ACBH-16.....	N64	215PN-4.....	N65
1527B7916-001.....	B67	16A22A13A2BC.....	E42	207ACBHS-2.....	N64	215PN-6.....	N65
15F12EA.....	E8, J14	16A32A13A2BC.....	E42	207ACBHS-4.....	N64	215PN-8.....	N65
15F1PEA.....	E8, J14	16B12A13A2BC.....	E44	207P-2.....	N64	215PN-12.....	N65
15F22EA.....	E8, J14	16B22A13A2BC.....	E44	207P-4.....	N64	215PNL-2-15.....	N65
15F2PEA.....	E8, J14	16B32A13A2BCG.....	E44	207P-6.....	N64	215PNL-2-20.....	N65

Part Number Index

Safety Guide

Offer of Sale

Part Number Index, Safety Guide, Offer of Sale



For inventory, lead time, and kit lookup, visit [www.pdnplu.com](http://www.pdnplu.com)

Model No.	Section / Page No.	Model No.	Section / Page No.	Model No.	Section / Page No.	Model No.	Section / Page No.
215PNL-2-25	N65	2202P-4-2	N66	222P-12-12	N66	30482-4-4B	N37
215PNL-2-30	N65	2202P-4-4	N66	24	N26	30482-5-4B	N37
215PNL-2-35	N65	2202P-4-6	N66	24-5B	N26	30482-6-6B	N37
215PNL-4-15	N65	2202P-6-6	N66	24-5BP	N26	30482-8-8B	N37
215PNL-4-20	N65	2202PA-2-2	N66	24-6B	N26	30682-4-4B	N37
215PNL-4-25	N65	2202PA-4-4	N66	24C	N26	30682-5-4B	N37
215PNL-4-30	N65	2202PA-6-6	N66	24F	N26	30682-6-6B	N37
215PNL-4-35	N65	2203P-2	N66	24PLP-4-4	N49	30682-8-6B	N37
215PNL-6-15	N65	2203P-4	N66	24PLP-4-5/32	N49	30682-8-8B	N37
215PNL-6-20	N65	2203P-6	N66	24PLP-5-5/32	N49	30682-10-8B	N37
215PNL-6-25	N65	2203P-8	N66	24PLP-6-4	N49	30682-10-10B	N37
215PNL-6-30	N65	2203P-12	N66	24PLP-6M-4M	N49	30682-12-12B	N37
215PNL-6-35	N65	2205P-2	N67	24PLP-8M-4M	N49	30882-4-4B	N37
215PNL-8-15	N65	2205P-4	N67	24PLP-8M-6M	N49	30882-5-4B	N37
215PNL-8-20	N65	2205P-6	N67	24PLP-10M-6M	N49	30882-6-6B	N37
215PNL-8-25	N65	2205P-8	N67	24PLP-10M-8M	N49	30882-8-6B	N37
215PNL-8-30	N65	2205P-12	N67	24PLPD-4-4	N50	30882-8-8B	N37
215PNL-8-35	N65	220P-2	N66	24PLPD-4-5/32	N50	30882-10-8B	N37
216P-2	N65	220P-4	N66	24PLPD-5-5/32	N50	30882-10-10B	N37
216P-4	N65	220P-6	N66	24PLPD-6-4	N50	30882-12-12B	N37
216P-4-2	N65	2214P-2-2	N67	24PLPD-6M-4M	N50	31382-4-4	N37
216P-6	N65	2214P-4-4	N67	24PLPD-8M-4M	N50	31382-6-6	N37
216P-6-2	N65	2214P-6-6	N67	24PLPD-8M-6M	N50	31382-8-8	N37
216P-6-4	N65	2214P-8-8	N67	24PLPD-10M-6M	N50	322PLPSP-2-5/32	N54
216P-8	N65	2224P-2	N67	24PLPD-10M-8M	N50	322PLPSP-3-4	N54
216P-8-4	N65	2224P-4	N67	25	N26	322PLPSP-3M-4M	N54
216P-8-6	N65	2224P-6	N67	25C	N26	322PLPSP-4-5	N54
216P-12	N65	2224P-8	N67	25F	N26	322PLPSP-5-5	N54
216P-12-8	N65	2224P-12	N67	27R110AD	K14	322PLPSP-5-6	N54
218P-2	N65	2225P-2	N67	27R112AD	K14	322PLPSP-5M-4M	N54
218P-4	N65	2225P-4	N67	27R113AD	K14	322PLPSP-5M-5/32	N54
218P-6	N65	2225P-6	N67	27R114AD	K14	322PLPSP-5M-6M	N54
218P-8	N65	2225P-8	N67	30182-2-4B	N36	322PLPSP-6M-10M	N54
218P-12	N65	2225P-12	N67	30182-4-4B	N36	322PLPSP-6M-8M	N54
219P-2	N65	222P-2-2	N66	30182-4-6B	N36	322PLPSP-8M-10M	N54
219P-4	N65	222P-4-2	N66	30182-6-6B	N36	322PLPSP-8M-12M	N54
219P-6	N65	222P-4-4	N66	30182-6-8B	N36	322PLPSP-8M-8M	N54
219P-8	N65	222P-6-2	N66	30182-8-6B	N36	322PLPSP-1012M	N54
219P-12	N65	222P-6-4	N66	30182-8-8B	N36	322PLPSP-1212M	N54
2200P-2-2	N66	222P-6-6	N66	30182-8-10B	N36	322PLPSP-1214M	N54
2200P-4-4	N66	222P-8-4	N66	30182-12-8B	N36	322PLPSP-1414M	N54
2200P-6-6	N66	222P-8-6	N66	30182-12-12B	N36	32PLP-2	N47
2200P-8-8	N66	222P-8-8	N66	30282-4-4B	N36	32PLP-3	N47
2201P-2-2	N67	222P-12-6	N66	30282-6-6B	N36	32PLP-3M	N47
2202P-2-2	N66	222P-12-8	N66	30282-8-8B	N36	32PLP-3M-4M	N47

Part Number Index

Safety Guide

Offer of Sale

Part Number Index,  
Safety Guide, Offer of Sale



For inventory, lead times, and kit lookup, visit [www.pdnplu.com](http://www.pdnplu.com)



Model No.	Section / Page No.	Model No.	Section / Page No.	Model No.	Section / Page No.	Model No.	Section / Page No.
32PLP-4	N47	32PLPRC-5	N54	362PLP-12M	N48	364PLP-8-6	N48
32PLP-4-2	N47	32PLPRC-5/32	N54	362PLPD-4M	N49	364PLP-8M	N48
32PLP-4M	N47	32PLPRC-6M	N54	362PLPD-4M-6M	N49	364PLP-8M-10M	N48
32PLP-5	N47	32PLPRC-8M	N54	362PLPD-5/32	N49	364PLP-8M-6M	N48
32PLP-5/32	N47	32PLPSP-4-2	N53	362PLPD-5/32-4	N49	364PLP-10M	N48
32PLP-5/32-2	N47	32PLPSP-4-3	N53	362PLPD-6M	N49	364PLP-10M-12M	N48
32PLP-5/32-4	N47	32PLPSP-4-5/32	N53	362PLPD-6M-8M	N49	364PLP-10M-8M	N48
32PLP-5-4	N47	32PLPSP-4-6M	N53	362PLPDSP-6M-4M	N52	364PLP-12M	N48
32PLP-6	N47	32PLPSP-4M-2	N53	362PLPDSP-8M-4M	N52	364PLP-12M-10M	N48
32PLP-6-4	N47	32PLPSP-6-4	N53	362PLPDSP-8M-6M	N52	364PLP-14M	N48
32PLP-6-8	N47	32PLPSP-6M-4M	N53	362PLPSP-2	N52	364PLP-14M-8M	N48
32PLP-6M	N47	32PLPSP-8M-4	N53	362PLPSP-4	N52	365PLP-2	N47
32PLP-6M-4	N47	32PLPSP-8M-6M	N53	362PLPSP-4M	N52	365PLP-2-4	N47
32PLP-6M-4M	N47	32PLPSP-10M-8M	N53	362PLPSP-4M-6M	N52	365PLP-3	N47
32PLP-8	N47	32PLPSP-12M-10M	N53	362PLPSP-5	N52	365PLP-4	N47
32PLP-8M	N47	347PLP-4	N50	362PLPSP-5/32	N52	365PLP-4M	N47
32PLP-8M-4M	N47	347PLP-4M	N50	362PLPSP-6	N52	365PLP-4M-6M	N48
32PLP-8M-6M	N47	347PLP-4M-6M	N50	362PLPSP-6M	N52	365PLP-5	N47
32PLP-10M	N47	347PLP-5	N50	362PLPSP-6M-8M	N52	365PLP-5/32	N47
32PLP-10M-6	N47	347PLP-5/32	N50	362PLPSP-8M	N52	365PLP-5/32-4	N47
32PLP-10M-6M	N47	347PLP-6M	N50	362PLPSP-8M-10M	N52	365PLP-6	N47
32PLP-10M-8M	N47	347PLP-6M-8M	N50	362PLPSP-10M	N52	365PLP-6-4	N47
32PLP-12M	N47	347PLP-8M	N50	362PLPSP-10M-12M	N52	365PLP-6-8	N47
32PLP-12M-10M	N47	35F77BAP	H8, M2, M13	362PLPSP-12M	N52	365PLP-6M	N47
32PLP-12M-14M	N47	35F77EAP	H10, M2, M13	364PLP-2	N48	365PLP-6M-8M	N48
32PLP-12M-8	N47	35F77HAP	H10, M13	364PLP-2-4	N48	365PLP-8	N47
32PLP-12M-8M	N47	35F87BAP	H8, M2, M13	364PLP-3	N48	365PLP-8M	N47
32PLP-14M	N47	35F87EAP	H10, M2, M13	364PLP-3M	N48	365PLP-8M-10M	N48
32PLPBH-2	N49	35F87HAP	H10, M13	364PLP-4	N48	365PLP-10M	N47
32PLPBH-4	N49	362PLP-2	N48	364PLP-4-2	N48	365PLP-10M-12M	N48
32PLPBH-4M	N49	362PLP-2-4	N48	364PLP-4-5/32	N48	365PLP-12M	N47
32PLPBH-5	N49	362PLP-4	N48	364PLP-4-6	N48	365PLP-14M	N47
32PLPBH-5/32	N49	362PLP-4-6	N48	364PLP-4M	N48	365PLPBH-2	N49
32PLPBH-6	N49	362PLP-4M	N48	364PLP-4M-6M	N48	365PLPBH-4	N49
32PLPBH-6M	N49	362PLP-4M-6M	N48	364PLP-5	N48	365PLPBH-4M	N49
32PLPBH-8	N49	362PLP-5	N48	364PLP-5/32	N48	365PLPBH-5	N49
32PLPBH-8M	N49	362PLP-5/32	N48	364PLP-5/32-4	N48	365PLPBH-5/32	N49
32PLPBH-10M	N49	362PLP-5/32-4	N48	364PLP-6	N48	365PLPBH-6	N49
32PLPBH-12M	N49	362PLP-6	N48	364PLP-6-4	N48	365PLPBH-6M	N49
32PLPBH-14M	N49	362PLP-6M	N48	364PLP-6-8	N48	365PLPBH-8	N49
32PLPDRC-4M	N54	362PLP-6M-8M	N48	364PLP-6M	N48	365PLPBH-8M	N49
32PLPDRC-6M	N54	362PLP-8M	N48	364PLP-6M-4M	N48	365PLPBH-10M	N49
32PLPDRC-8M	N54	362PLP-8M-10M	N48	364PLP-6M-8M	N48	365PLPBH-12M	N49
32PLPRC-4	N54	362PLP-10M	N48	364PLP-8	N48	368PLP-4M-2G	N45
32PLPRC-4M	N54	362PLP-10M-12M	N48	364PLP-8-4	N48	368PLP-4M-4G	N45

Part Number Index

Safety Guide

Offer of Sale

Part Number Index, Safety Guide, Offer of Sale



For inventory, lead time, and kit lookup, visit [www.pdnplu.com](http://www.pdnplu.com)

Model No.	Section / Page No.	Model No.	Section / Page No.	Model No.	Section / Page No.	Model No.	Section / Page No.
368PLP-4M-M5	N45	369PLP-12M-8G	N41	369PLPX-12M-6G	N42	371PLP-4M-4G	N44
368PLP-6M-2G	N45	369PLP-14M-6G	N41	369PLPX-12M-8G	N42	371PLP-4M-M5	N44
368PLP-6M-4G	N45	369PLP-14M-8G	N41	369PLPX-14M-6G	N42	371PLP-5/32-0	N44
368PLP-6M-M5	N45	369PLPSP-2	N50	369PLPX-14M-8G	N42	371PLP-6M-2G	N44
368PLP-8M-2G	N45	369PLPSP-4	N50	369PLPXSP-4M	N51	371PLP-6M-4G	N44
368PLP-8M-4G	N45	369PLPSP-4-6	N50	369PLPXSP-4M-6M	N51	371PLP-6M-M5	N44
368PLP-8M-6G	N45	369PLPSP-4M	N50	369PLPXSP-6M	N51	371PLP-8M-2G	N44
368PLP-10M-4G	N45	369PLPSP-4M-6M	N50	369PLPXSP-6M-8M	N51	371PLP-8M-4G	N44
368PLP-10M-6G	N45	369PLPSP-5	N50	369PLPXSP-8M	N51	371PLP-8M-6G	N44
368PLP-10M-8G	N45	369PLPSP-5/32	N50	369PLPXSP-8M-10M	N51	371PLPSP-4	N51
368PLP-12M-6G	N45	369PLPSP-5/32-4	N50	369PLPXSP-10M	N51	371PLPSP-4M	N52
368PLP-12M-8G	N45	369PLPSP-6	N50	369PLPXSP-10M-12M	N51	371PLPSP-4M-6M	N52
368PLPD-4M-2	N46	369PLPSP-6M	N50	369PLPXSP-12M	N51	371PLPSP-5	N51
368PLPD-4M-4G	N46	369PLPSP-6M-4M	N50	370PLP-10M-4G	N46	371PLPSP-5/32	N51
368PLPD-6M-2G	N46	369PLPSP-6M-8M	N50	370PLP-10M-6G	N46	371PLPSP-6	N51
368PLPD-6M-4G	N46	369PLPSP-8	N50	370PLP-10M-8G	N46	371PLPSP-6M	N52
369PLP-2-0	N41	369PLPSP-8M	N50	370PLP-12M-4G	N46	371PLPSP-6M-8M	N52
369PLP-3M-M3	N41	369PLPSP-8M-10M	N50	370PLP-12M-6G	N46	371PLPSP-8	N51
369PLP-3M-M5	N41	369PLPSP-10M	N50	370PLP-12M-8G	N46	371PLPSP-8M	N52
369PLP-4-0	N41	369PLPSP-10M-12M	N50	370PLP-2-2	N46	371PLPSP-8M-10M	N52
369PLP-4M-2G	N41	369PLPSP-12M	N50	370PLP-4-2	N46	371PLPSP-10M	N52
369PLP-4M-4G	N41	369PLPSPX-2	N51	370PLP-4-4	N46	371PLPSP-10M-12M	N52
369PLP-4M-M3	N41	369PLPSPX-4	N51	370PLP-4M-2G	N46	371PLPSP-12M	N52
369PLP-4M-M5	N41	369PLPSPX-5	N51	370PLP-4M-4G	N46	372PLP-2-0	N43
369PLP-4M-M7	N41	369PLPSPX-5/32	N51	370PLP-5/32-2	N46	372PLP-4M-2G	N43
369PLP-5/32-0	N41	369PLPSPX-6	N51	370PLP-5/32-4	N46	372PLP-4M-4G	N43
369PLP-6M-2G	N41	369PLPX-2-0	N42	370PLP-5-2	N46	372PLP-4M-M5	N43
369PLP-6M-4G	N41	369PLPX-4-0	N42	370PLP-5-4	N46	372PLP-5/32-0	N43
369PLP-6M-6G	N41	369PLPX-4M-2G	N42	370PLP-6-4	N46	372PLP-6M-2G	N43
369PLP-6M-8G	N41	369PLPX-4M-4G	N42	370PLP-6M-2G	N46	372PLP-6M-4G	N43
369PLP-6M-M10	N41	369PLPX-4-M7	N42	370PLP-6M-4G	N46	372PLP-6M-M5	N43
369PLP-6M-M12	N41	369PLPX-4M-M5	N42	370PLP-8-6	N46	372PLP-8M-2G	N43
369PLP-6M-M5	N41	369PLPX-4M-M7	N42	370PLP-8M-2G	N46	372PLP-8M-4G	N43
369PLP-6M-M7	N41	369PLPX-5/32-0	N42	370PLP-8M-4G	N46	372PLP-8M-6G	N43
369PLP-8M-2G	N41	369PLPX-6M-2G	N42	370PLP-8M-6G	N46	372PLP-10M-4G	N43
369PLP-8M-4G	N41	369PLPX-6M-4G	N42	371PLP-10M-4G	N44	372PLP-10M-6G	N43
369PLP-8M-6G	N41	369PLPX-6M-M5	N42	371PLP-10M-6G	N44	372PLP-10M-8G	N43
369PLP-8M-8G	N41	369PLPX-6M-M7	N42	371PLP-10M-8G	N44	372PLP-12M-4G	N43
369PLP-8M-M10	N41	369PLPX-8M-2G	N42	371PLP-12M-4G	N44	372PLP-12M-6G	N43
369PLP-8M-M12	N41	369PLPX-8M-4G	N42	371PLP-12M-6G	N44	372PLP-12M-8G	N43
369PLP-10M-4G	N41	369PLPX-8M-6G	N42	371PLP-12M-8G	N44	372PLP-14M-6G	N43
369PLP-10M-6G	N41	369PLPX-10M-4G	N42	371PLP-14M-6G	N44	372PLP-14M-8G	N43
369PLP-10M-8G	N41	369PLPX-10M-6G	N42	371PLP-14M-8G	N44	372PLPSP-2	N51
369PLP-12M-4G	N41	369PLPX-10M-8G	N42	371PLP-2-0	N44	372PLPSP-4	N51
369PLP-12M-6G	N41	369PLPX-12M-4G	N42	371PLP-4M-2G	N44	372PLPSP-4M	N51

Part Number Index

Safety Guide

Offer of Sale

Part Number Index,  
Safety Guide, Offer of Sale



For inventory, lead times, and kit lookup, visit [www.pdnplu.com](http://www.pdnplu.com)

Model No.	Section / Page No.	Model No.	Section / Page No.	Model No.	Section / Page No.	Model No.	Section / Page No.
372PLPSP-4M-6M.....	N51	379PLPSP-10M.....	N51	5500B6004.....	N8	63PLP4M.....	N52
372PLPSP-5.....	N51	379PLPSP-12M.....	N51	606Y72.....	H29, H31	63PLP-5.....	N52
372PLPSP-5/32.....	N51	37G82-4-4.....	N37	616A28-SS.....	F5, F9, F13, F17, F19	63PLP-5/32.....	N52
372PLPSP-6.....	N51	37G82-4-6.....	N37	62PLP-2.....	N57	63PLP-6.....	N52
372PLPSP-6M.....	N51	37G82-6-6.....	N37	62PLP-3.....	N57	63PLP6M.....	N52
372PLPSP-6M-8M.....	N51	37G82-8-10.....	N37	62PLP-4.....	N57	63PLP-8.....	N52
372PLPSP-8.....	N51	37G82-8-8.....	N37	62PLP-4-2.....	N57	63PLP8M.....	N52
372PLPSP-8M.....	N51	37G82-12-12.....	N37	62PLP-4-5/32.....	N57	63PLP10M.....	N52
372PLPSP-8M-10M.....	N51	38282-4-4B.....	N37	62PLP-4-6.....	N57	63PLP12M.....	N52
372PLPSP-10M.....	N51	38282-6-6B.....	N37	62PLP-5.....	N57	63PLP14M.....	N52
372PLPSP-10M-12M.....	N51	38282-8-8B.....	N37	62PLP-5/32.....	N57	66PLP-2-2.....	N57
372PLPSP-12M.....	N51	4202.....	H17, K35	62PLP-5/32-2.....	N57	66PLP-2-4.....	N57
374PLP-6M-8M.....	N50	4204.....	H17, K35	62PLP-6.....	N57	66PLP-3-2.....	N57
377PLP-2-2.....	N43	4206.....	K39	62PLP-6-8.....	N57	66PLP-4-2.....	N57
377PLP-4-2.....	N43	43FN7BAP.....	H8, M2	62PLP-8.....	N57	66PLP-4-4.....	N57
377PLP-4-4.....	N43	43FN7EAP.....	H10, M2	62PLP-8.....	N57	66PLP-5/32-2.....	N57
377PLP-5/32-2.....	N43	43FN7HAP.....	H10	62PLPBH-2.....	N57	66PLP-5/32-4.....	N57
377PLP-5/32-4.....	N43	491366.....	K87	62PLPBH-4.....	N57	66PLP-5-2.....	N57
377PLP-5-2.....	N43	491367.....	K87	62PLPBH-5.....	N57	66PLP-5-4.....	N57
377PLP-5-4.....	N43	496449.....	K88, K89	62PLPBH-5/32.....	N57	66PLP-6-4.....	N57
377PLP-6-4.....	N43	51R125RA.....	K42	62PLPBH-6.....	N57	66PLP-6-6.....	N57
377PLP-8-6.....	N43	51R126RA.....	K42	62PLPBH-8.....	N57	66PLPBH-4-4.....	N57
379PLP-2-0.....	N42	52R125RA.....	K44	62PW-4.....	N60	66PLPBH-5/32-4.....	N57
379PLP-4M-2G.....	N42	52R126RA.....	K44	62PW-5.....	N60	66PLPBH-6-6.....	N57
379PLP-4M-M5.....	N42	52R225RA.....	K44	62PW-6.....	N60	66PLPBH-8-6.....	N57
379PLP-6M-2G.....	N42	52R226RA.....	K44	62PW-8.....	N60	66PW-4-2.....	N60
379PLP-6M-4G.....	N42	52R325RA.....	K44	62PWBH-4.....	N60	66PW-4-4.....	N60
379PLP-6M-M5.....	N42	52R326RA.....	K44	62PWBH-5.....	N60	66PW-5-2.....	N60
379PLP-8M-2G.....	N42	52R425RA.....	K44	62PWBH-6.....	N60	66PW-5-4.....	N60
379PLP-8M-4G.....	N42	52R426RA.....	K44	62PWBH-8.....	N60	66PW-6-4.....	N60
379PLP-8M-6G.....	N42	53R425RA.....	K46	639PLP-2.....	N53	66PW-6-6.....	N60
379PLP-10M-4G.....	N42	53R426RA.....	K46	639PLP-3.....	N53	66PWBH-4-4.....	N60
379PLP-10M-6G.....	N42	53R525RA.....	K46	639PLP-3M.....	N54	66PWBH-6-6.....	N60
379PLP-10M-8G.....	N42	53R526RA.....	K46	639PLP-4.....	N53	66PWBH-8-6.....	N60
379PLP-12M-4G.....	N42	53R625RA.....	K46	639PLP-4M.....	N54	67PLP-2-3.....	N53
379PLP-12M-6G.....	N42	53R626RA.....	K46	639PLP-5.....	N53	67PLP-2-4.....	N53
379PLP-12M-8G.....	N42	54R725RA.....	K48	639PLP-5/32.....	N53	67PLP-2-5/32.....	N53
379PLPSP-2.....	N51	54R726RA.....	K48	639PLP-6.....	N53	67PLP-3-4.....	N53
379PLPSP-4.....	N51	54R825RA.....	K48	639PLP-6M.....	N54	67PLP-3-5.....	N53
379PLPSP-4M.....	N51	54R826RA.....	K48	639PLP-8.....	N53	67PLP-4-5.....	N53
379PLPSP-5.....	N51	5500A2004.....	N8, N16	639PLP-8M.....	N54	67PLP-4-6.....	N53
379PLPSP-5/32.....	N51	5500A4004.....	N8, N16	639PLP-10M.....	N54	67PLP-4-8.....	N53
379PLPSP-6.....	N51	5500A5013.....	B67	639PLP-12M.....	N54	67PLP-5/32-3.....	N53
379PLPSP-6M.....	N51	5500A6004.....	N16	639PLP-14M.....	N54	67PLP-5/32-4.....	N53
379PLPSP-8M.....	N51	5500A9004.....	N8, N16	63PLP-4.....	N52	67PLP-5/32-5.....	N53

Part Number Index

Safety Guide

Offer of Sale

Part Number Index, Safety Guide, Offer of Sale



For inventory, lead time, and kit lookup, visit [www.pdnplu.com](http://www.pdnplu.com)

Model No.	Section / Page No.	Model No.	Section / Page No.	Model No.	Section / Page No.	Model No.	Section / Page No.
67PLP-5/32-6	N53	801-16	N30	B34C	N28	C628-08FRLEJCE	H34
67PLP-5-6	N53	988A30	N8	B34F	N28	C628-08FRLWJCW	H34
67PLP-5-8	N53	A2C	N29	B35	N28	C628-12FRLEJCE	H34
67PLP-6-8	N53	A3C	N29	B35C	N28	C628-12FRLWJCW	H34
67PLP-6M-4M	N53	A8C	N29	B36	N28	CB-M12-4P-2M	B40, B41
67PLP-8M-4M	N53	A8CP	N29	B36-6B	N28	CB-M12-4P-2M	K72, K73
67PLP-8M-6M	N53	AS-5	N17	B36-6BP	N28	CKR10YSS	F13, F17
67PLP-10M-4M	N53	AS-6	N17	B36-7B	N28	CKR11YSS	F13, F17
67PLP-10M-6M	N53	AS-8	N17	B36E	N28	CKR354YSS	F11, F15
67PLP-10M-8M	N53	AS-10	N17	B36G	N28	CKR364T	K107
67PLP-12M-10M	N53	AS-15	N17	B37	N28	CKR364Y-1SS	F11, F15
67PLP-12M-6M	N53	ASN-6	N17	B37E	N28	DAS1-115-60-CSA	M9
67PLP-12M-8M	N53	ASN-8	N17	B37G	N28	DAS2-115-60-CSA	M9
67PLP-14M-10M	N53	ASN-10	N17	B38	N28	DAS3-115-60-CSA	M9
67PLP-14M-12M	N53	ASN-15	N17	B38-7B	N28	DAS4-115-60-CSA	M9
67PLP-14M-6M	N53	B20-3B	N26	B38-8B	N28	DAS5-115-60-CSA	M9
67PLP-14M-8M	N53	B20-3BP	N26	B38J	N28	DAS6-115-60-CSA	M9
68PLP-2-0	N58	B20-4B	N26	B39	N28	DAS7-115-60-CSA	M9
68PLP-4-0	N58	B20-5B	N26	B39F	N28	DASMB1	M9
68PLP-5/32-0	N58	B20-5BP	N26	B39J	N28	DASMB2	M9
68PLP-5/32-4LT	N58	B22	N26	B50-03BP	N29	DASMK1	M9
68PLPR-2-0	N58	B22A	N26	B50-05BP	N29	DASMK2	M9
68PLPR-4-0	N58	B22E	N26	B52	N29	DASMK3	M9
68PLPR-5/32-0	N58	B23	N26	B52E	N29	DASMK4	M9
68PLPSP-4M-2G	N45	B23A	N26	B53	N29	DASMK5	M9
68PLPSP-4M-4G	N45	B23E	N26	B53E	N29	DASMK6	M9
68PLPSP-4M-M5	N45	B30-3B	N28	BK504SY	J33	DASMK7	M9
68PLPSP-5/32-0	N45	B30-3BP	N28	BK504Y	J33	DC602-2	N4
68PLPSP-6M-2G	N45	B30-4B	N28	BK505SY	J33	DC602-4	N4
68PLPSP-6M-4G	N45	B30-5B	N28	BK505Y	J33	DC604-2	N4
68PLPSP-8M-2G	N45	B30-5BP	N28	BK603B	H3, H5, H7, H13, H29, H31	DC604-4	N4
68PLPSP-8M-4G	N45	B32	N28	BK603C	H13	DC604-6	N4
68PLPSP-8M-6G	N45	B32A	N28	BK605WB	H3, H5, H7	DD15-02	M7
68PLPSP-10M-4G	N45	B32E	N28	BK606X30B	H29, H31	DD15-03	M7
68PLPSP-10M-6G	N45	B33	N28	BK609WB	H29, H31	DD15-04	M7
68PLPSP-10M-8G	N45	B33A	N28	C10A1304	G7, G11	DD15-06	M7
68PLPSP-12M-6G	N45	B33E	N28	C10A1304	K33	DD30-04	M7
68PLPSP-12M-8G	N45	B34	N28	C10A1308	G7, G11	DD30-06	M7
68PLPSP-14M-6G	N45	B344-01AGC	J32	C10A1308	K33	DD30-08	M7
68PLPSP-14M-8G	N45	B344-01DGC	J32	C10A1317	G7, G11	DD60-04	M7
801-4	N30	B344-02AGC	J32	C10A1317	K33	DD60-06	M7
801-6	N30	B344-02DGC	J32	C11A33	G3, G5, G11, G13	DD60-08	M7
801-8	N30	B34-5B	N28	C628-06FRLEJCE	H34	DP2-02-001	H9, H11
801-10	N30	B34-5BP	N28	C628-06FRLWJCW	H34	DP276-P	H13
801-12	N30	B34-6B	N28			DP3-01-000	H9

Part Number Index

Safety Guide

Offer of Sale

Part Number Index, Safety Guide, Offer of Sale



For inventory, lead times, and kit lookup, visit [www.pdnplu.com](http://www.pdnplu.com)

Model No.	Section / Page No.	Model No.	Section / Page No.	Model No.	Section / Page No.	Model No.	Section / Page No.
DPG-Kit.....	H14, L5	EK55G .....	F5	F442001.....	D11, E33, E35, E37, E39, E41, G13, H29, H31, H33, J41, J43	F701-C7-0774 .....	H13
DRP-14-447/003.....	M8	EK55J .....	F5			FRP-95-505 .....	H9, M16
DRP-14-447/006.....	M8	EK602B.....	H3, H5	F442002.....	B51, B53, B55, C17, C27	FRP-95-508 .....	H9
DRP-14-447/012.....	M8	EK602G .....	H7			FRP-96-729 .....	J33
DTK606.....	H29, H31	EK602VB.....	H3, H5	F442002.....	D11, E33, E35, E37, E39, E41, G13, H29, H31, H33, J41, J43	GRP-95-022.....	H9, H11
E-43-0100.....	N31	EKF10VY.....	F17			GRP-95-111.....	J23, J33, K7
E-43-0500.....	N31	EKF10Y .....	F17	F442002.....	B51, B53, B55, C17, D11, E33, E35, E37, E39, E41, G13, H29, H31, H33, J41, J43	GRP-95-260.....	K43, K45
E-43-1000.....	N31	EKF71 .....	F9			GRP-95-261.....	K47
E-43-B-0100.....	N31	EKF501H.....	F7	F442003.....	B51, B53, B55, C17, D11, E33, E35, E37, E39, E41, G13, H29, H31, H33, J41, J43	GRP-95-262.....	K49
E-43-B-0500.....	N31	EM12 .....	N14			GRP-95-392.....	H9, H11
E-43-G-0500.....	N31	EM25 .....	N14	F442005.....	B51, B53, B55, C17, D11, E33, E35, E37, E39, E41, G13, H29, H31, H33, J41, J43	GRP-95-393.....	H9, H11
E-43-O-0500.....	N31	EM37 .....	N14			GRP-95-981.....	H9, H11
E-43-P-0500.....	N31	EM50 .....	N14	F602-06EJ .....	H2	GRP-96-717.....	J23, J33, K7
E-43-R-0100.....	N31	EM75 .....	N14			GRP-96-718.....	J23, J33
E-43-R-0500.....	N31	EM100 .....	N14	F602-06EJR.....	H2	GRP-96-718.....	K7
E-43-Y-0500.....	N31	EM125 .....	N14			GRP-96-725.....	J23, J33, K7
E-53-0500.....	N31	EM150 .....	N14	F602-06WJ .....	H2	GRP-96-726.....	J23, J33, K7
E-64-0100.....	N31	EMM5 .....	N14			H00E.....	N24
E-64-0500.....	N31	ES12MC.....	N15	F602-06WJR.....	H2	H0C .....	N24
E-64-B-0500.....	N31	ES25MC.....	N8, N15			H0F .....	N24
E-64-G-0500.....	N31	ES37MC.....	N8, N15	F602-06WJ .....	H2	H1C .....	N24
E-64-O-0500.....	N31	ES50MB.....	E49, E51	F602-06WJR.....	H2	H1E.....	N24
E-64-P-0500.....	N31	ES50MC.....	N8, N15			H1F.....	N24
E-64-R-0500.....	N31	ES75MB.....	E49, E51	F602-08EJ .....	H2	H2C .....	N24
E-64-Y-0500.....	N31	ES75MC.....	N8, N15			H2C-E.....	N24
E-86-0100.....	N31	ES100MC.....	N8, N15	F602-08EJR.....	H2	H2E.....	N24
E-108-0100.....	N31	ES125MC.....	N8, N15			H2E-F.....	N24
EB-43-0100 .....	N31	ES150MC.....	N8, N15	F602-12EJ .....	H4	H2F .....	N24
EB-43-0500 .....	N31	ES200MC.....	N8			H2F-G.....	N24
EB-43-1000 .....	N31	ESB12MC .....	N15	F602-12EJR.....	H4	H2G .....	N24
EB-53-0500 .....	N31	ESB25MC .....	N15			H2G-F.....	N24
EB-64-0100 .....	N31	ESB37MC .....	N15	F602-12WJ .....	H4	H2G-J.....	N24
EB-64-0500 .....	N31	ESB50MC .....	N15			H3C .....	N24
EB-86-0100 .....	N31	ESB75MC .....	N15	F602-12WJR.....	H4	H3C-E.....	N24
EB-108-0100 .....	N31	ESB100MC .....	N15			H3E.....	N24
ECS3.....	N19	ESB125MC .....	N15	F602-16EJ .....	H6	H3E-F.....	N24
ECS5.....	N19	ESB150MC .....	N15			H3F .....	N24
ED3002N115-K.....	N3	EZ03NB6 .....	N6	F602-16EJR.....	H6	H3F-G.....	N24
ED3004N115-K.....	N3	EZ04NB6 .....	N6			H3G .....	N24
ED3007N115-K.....	N3	EZ06NB6 .....	N6	F602-16WJ .....	H6	H3G-F.....	N24
ED3030N115-K.....	N3	EZ06NBA .....	N6			H3G-J.....	N24
ED3100N115-K.....	N3	EZ08NBA .....	N6	F602-16WJR.....	H6	H4EP.....	N24
EFI.....	L3	EZ0ANBA.....	N6			H4F .....	N24
EK504VY.....	F3, F15	F442001.....	B51, B53, B55, C17, C27	F701-06E3P.....	H12	H4FP.....	N24
EK504Y.....	F3, F15					H5E.....	N24
				F701-06E7P.....	H12		
				F701-06L3P.....	H12		
				F701-06L7P.....	H12		
				F701-08E3P.....	H12		
				F701-08E7P.....	H12		
				F701-08L3P.....	H12		
				F701-08L7P.....	H12		
				F701-C3-0773 .....	H13		
				F701-C3-0774 .....	H13		
				F701-C7-0773 .....	H13		

Part Number Index

Safety Guide

Offer of Sale

Part Number Index, Safety Guide, Offer of Sale



For inventory, lead time, and kit lookup, visit [www.pdnplu.com](http://www.pdnplu.com)

Model No.	Section / Page No.	Model No.	Section / Page No.	Model No.	Section / Page No.	Model No.	Section / Page No.
H5EP.....	N24	K4515N14030.....	E15, E25, J37, K15, K21	K4520N14160.....	B25, B27, B29, B31, B45, B47, B49, B78, C9, C27, D7, E15, E17, E19, E21, E23, E25, E27, E29, E31, G7, G9, G11, H17, H19, H21, H23, H25, H27, J19, J29, J37	LV8NAB.....	N5
H5F.....	N24	K4515N14060.....	E15, E25, J37, K15, K21, E15, E25, J37, K15, K21	K4520N14160...K3, K13, K15, K21, K23, K25, K27, K29, K31, K33, K35, K37, K41, K51, K53, K55, K57, K59, K61	LVANAB.....	N5	
H5F-G.....	N24	K4515N14160SS.....	F11, F15	K4520N14160SS.....	F13, F17	LVBNCB.....	N5
H5FP.....	N24	K4515N14300.....	E15, E25, J37, K15, K21	K4520N14300.....	B25, B27, B29, B31, B45, B47, B49, B78, C9, C27, E15, E17, E19, E21, E23, E25, E27, E29, E31, G7, G9, G11, H17, H19, H21, H23, H25, H27, J37, K15, K21, K23, K25, K27, K29, K31, K33, K35, K37, K41, K51, K53, K55, K57, K59, K61	LVBNCBSS.....	N5
H5G.....	N24	K4515N18030.....	B21, B78, D7, D9, J17, J19, J21, J23, J29, J33, J35, K3, K5, K7, K13, K17	K4520N14300.....	B25, B27, B29, B31, B45, B47, B49, B78, C9, C27, E15, E17, E19, E21, E23, E25, E27, E29, E31, G7, G9, G11, H17, H19, H21, H23, H25, H27, J37, K15, K21, K23, K25, K27, K29, K31, K33, K35, K37, K41, K51, K53, K55, K57, K59, K61	LVCNCB.....	N5
H5G-F.....	N24	K4515N18160.....	B21, B78, D7, D9, J17, J19, J21, J23, J29, J33, J35, K3, K5, K7, K13, K17	L01369.....	D7, J19, J29, K3, K13	LVCNCBSS.....	N5
H5G-J.....	N24	K4517N14160D.....	E17, E19, E21, E23, E27, E29, E31, G7, G9, G11, H17, H19, H21, H23, H25, H27, K27, K33, K35, K37, K41, K51, K53, K55, K57, K59, K61	L606-06E.....	H28	MSP-95-502.....	H11, M16
H6E.....	N24	K4520N14030.....	B25, B27, B29, B31, B45, B47, B49, B78, D7, D9, J17, H19, H21, H23, H25, H27, K27, K33, K35, K37, K41, K51, K53, K55, K57, K59, K61	L606-06G.....	H28	MSP-95-876.....	H11
H6EP.....	N24	K4520N14060.....	B25, B27, B29, B31, B45, B47, B49, B78, D7, D9, J17, H19, H21, H23, H25, H27, K27, K33, K35, K37, K41, K51, K53, K55, K57, K59, K61	L606-06W.....	H28	MTP-95-502.....	H11, M16
H6FP.....	N24	K4520N14300.....	B25, B27, B29, B31, B45, B47, B49, B78, D7, D9, J17, H19, H21, H23, H25, H27, K27, K33, K35, K37, K41, K51, K53, K55, K57, K59, K61	L606-08E.....	H28	MTP-95-562.....	H11
H8C.....	N24	K4520N14300.....	B25, B27, B29, B31, B45, B47, B49, B78, D7, D9, J17, H19, H21, H23, H25, H27, K27, K33, K35, K37, K41, K51, K53, K55, K57, K59, K61	L606-08G.....	H28	MV200-2.....	N21
H8C-D.....	N24	K4520N14300.....	B25, B27, B29, B31, B45, B47, B49, B78, D7, D9, J17, H19, H21, H23, H25, H27, K27, K33, K35, K37, K41, K51, K53, K55, K57, K59, K61	L606-08W.....	H28	MV200-4.....	N21
H8CP.....	N24	K4520N14300.....	B25, B27, B29, B31, B45, B47, B49, B78, D7, D9, J17, H19, H21, H23, H25, H27, K27, K33, K35, K37, K41, K51, K53, K55, K57, K59, K61	L606-12E.....	H30	MV200-6.....	N21
H9C.....	N24	K4520N14300.....	B25, B27, B29, B31, B45, B47, B49, B78, D7, D9, J17, H19, H21, H23, H25, H27, K27, K33, K35, K37, K41, K51, K53, K55, K57, K59, K61	L606-12G.....	H30	MV200-8.....	N21
H9CP.....	N24	K4520N14300.....	B25, B27, B29, B31, B45, B47, B49, B78, D7, D9, J17, H19, H21, H23, H25, H27, K27, K33, K35, K37, K41, K51, K53, K55, K57, K59, K61	L606-12W.....	H30	MV608-2.....	N21
HDF-120-NPT-A.....	H14, L5	K4520N14300.....	B25, B27, B29, B31, B45, B47, B49, B78, D7, D9, J17, H19, H21, H23, H25, H27, K27, K33, K35, K37, K41, K51, K53, K55, K57, K59, K61	L606C14.....	H29, H31	MV608-4.....	N21
HPB4.....	N57	K4520N14300.....	B25, B27, B29, B31, B45, B47, B49, B78, D7, D9, J17, H19, H21, H23, H25, H27, K27, K33, K35, K37, K41, K51, K53, K55, K57, K59, K61	LV2N2BSS.....	N5	MV608-6.....	N21
HPB5.....	N57	K4520N14300.....	B25, B27, B29, B31, B45, B47, B49, B78, D7, D9, J17, H19, H21, H23, H25, H27, K27, K33, K35, K37, K41, K51, K53, K55, K57, K59, K61	LV2N3B.....	N5	MV608-8.....	N21
HPB6.....	N57	K4520N14300.....	B25, B27, B29, B31, B45, B47, B49, B78, D7, D9, J17, H19, H21, H23, H25, H27, K27, K33, K35, K37, K41, K51, K53, K55, K57, K59, K61	LV3N3B.....	N5	MV609-2.....	N21
HPB8.....	N57	K4520N14300.....	B25, B27, B29, B31, B45, B47, B49, B78, D7, D9, J17, H19, H21, H23, H25, H27, K27, K33, K35, K37, K41, K51, K53, K55, K57, K59, K61	LV3N4BSS.....	N5	MV609-4.....	N21
HPB10.....	N57	K4520N14300.....	B25, B27, B29, B31, B45, B47, B49, B78, D7, D9, J17, H19, H21, H23, H25, H27, K27, K33, K35, K37, K41, K51, K53, K55, K57, K59, K61	LV3N6B.....	N5	MV609-6.....	N21
HPB12.....	N57	K4520N14300.....	B25, B27, B29, B31, B45, B47, B49, B78, D7, D9, J17, H19, H21, H23, H25, H27, K27, K33, K35, K37, K41, K51, K53, K55, K57, K59, K61	LV4N4BSS.....	N5	MV609-6-4.....	N21
HPB14.....	N57	K4520N14300.....	B25, B27, B29, B31, B45, B47, B49, B78, D7, D9, J17, H19, H21, H23, H25, H27, K27, K33, K35, K37, K41, K51, K53, K55, K57, K59, K61	LV4N6B.....	N5	MV609-8.....	N21
K352413B.....	K80	K4520N14300.....	B25, B27, B29, B31, B45, B47, B49, B78, D7, D9, J17, H19, H21, H23, H25, H27, K27, K33, K35, K37, K41, K51, K53, K55, K57, K59, K61	LV6N6B.....	N5	NB-2.5-025.....	N33
K352428B.....	K80	K4520N14300.....	B25, B27, B29, B31, B45, B47, B49, B78, D7, D9, J17, H19, H21, H23, H25, H27, K27, K33, K35, K37, K41, K51, K53, K55, K57, K59, K61	LV6N8BSS.....	N5	NB-2-016.....	N33
K352429B.....	K80	K4520N14300.....	B25, B27, B29, B31, B45, B47, B49, B78, D7, D9, J17, H19, H21, H23, H25, H27, K27, K33, K35, K37, K41, K51, K53, K55, K57, K59, K61	LV6NAB.....	N5	NB-2-031.....	N33
K4510N18060.....	B21, B23, B78, J17, K17, K19	K4520N14300.....	B25, B27, B29, B31, B45, B47, B49, B78, D7, D9, J17, H19, H21, H23, H25, H27, K27, K33, K35, K37, K41, K51, K53, K55, K57, K59, K61	LV8N8BSS.....	N5	NB-3-025.....	N33
K4510N18160.....	B21, B23, B78, J17, K17, K19	K4520N14300.....	B25, B27, B29, B31, B45, B47, B49, B78, D7, D9, J17, H19, H21, H23, H25, H27, K27, K33, K35, K37, K41, K51, K53, K55, K57, K59, K61			NB-3-046.....	N33
K4511SCR04B.....	B21, B25, B27, B29, B43, B78, J17, J31, K17, K23, K25	K4520N14300.....	B25, B27, B29, B31, B45, B47, B49, B78, D7, D9, J17, H19, H21, H23, H25, H27, K27, K33, K35, K37, K41, K51, K53, K55, K57, K59, K61			NB-4-035.....	N33
K4511SCR060.....	B21, B25, B27, B29, B43, B78	K4520N14300.....	B25, B27, B29, B31, B45, B47, B49, B78, D7, D9, J17, H19, H21, H23, H25, H27, K27, K33, K35, K37, K41, K51, K53, K55, K57, K59, K61			NB-4-040.....	N33
K4511SCR060.....	J17, J31, K17, K23, K25	K4520N14300.....	B25, B27, B29, B31, B45, B47, B49, B78, D7, D9, J17, H19, H21, H23, H25, H27, K27, K33, K35, K37, K41, K51, K53, K55, K57, K59, K61			NB-4-062.....	N33
K4511SCR11B.....	B21, B25, B27, B29, B43, B78, J17, J31, K17, K23, K25	K4520N14300.....	B25, B27, B29, B31, B45, B47, B49, B78, D7, D9, J17, H19, H21, H23, H25, H27, K27, K33, K35, K37, K41, K51, K53, K55, K57, K59, K61			NB-5-040.....	N33
K4511SCR160.....	B21, B25, B27, B29, B43, B67, B78, J17, J31, K17, K23, K25	K4520N14300.....	B25, B27, B29, B31, B45, B47, B49, B78, D7, D9, J17, H19, H21, H23, H25, H27, K27, K33, K35, K37, K41, K51, K53, K55, K57, K59, K61			NB-6-050.....	N33

Part Number Index

Safety Guide

Offer of Sale

Part Number Index, Safety Guide, Offer of Sale



For inventory, lead times, and kit lookup, visit [www.pdnplu.com](http://www.pdnplu.com)

Model No.	Section / Page No.	Model No.	Section / Page No.	Model No.	Section / Page No.	Model No.	Section / Page No.
NBR-8-062	N34	P04062	E17, E19, E27, E29, E31, K27	P31FB92DGBN	B14	P31KA00PL	J41
NBR-8-075	N34			P31FB92DGBN	J10	P31KA11CN	B73
NN-2.5-025	N33	P04063	E17, E19, E27, E29, E31, K27	P31FB92DGMMN	B14	P31KA11CP	B73
NN-2-016	N33			P31FB92DGMMN	J10	P31KA12CN	B73
NN-2-031	N33	P04064	E17, E19, E27, E29, E31, K27	P31FB92DMBN	B14	P31KA12CP	B73
NN-3-025	N33			P31FB92DMBN	J10	P31KA13CN	B73
NN-3-046	N33	P04069B	E17, E19, E27, E29, E31, K27	P31FB92DMMN	B14	P31KA13CP	B73
NN-4-035	N33			P31FB92DMMN	J10	P31KA21CN	B73
NN-4-040	N33	P04079B	E17, E19, E21, E23, K27, K51, K53	P31FB92EGBN	B8	P31KA21CP	B73
NN-4-062	N33			P31FB92EGBN	J4	P31KA22CN	B73
NN-5-040	N33	P04082	E17, E19, E21, E23, E27, E29, K27, K51, K53	P31FB92EGMN	B8	P31KA22CP	B73
NN-6-050	N33			P31FB92EGMN	J4	P31KA23CN	B73
NN-6-093	N33	P04121	E33, E35, E37, E39, E41, G13	P31FB92EMBN	B8	P31KA23CP	B73
NN-8-062	N33			P31FB92EMBN	J4	P31KA91CN	B73
NN-8-124	N33	P04420	E15, K21	P31FB92EMMN	B8	P31KA91CP	B73
NNR-2-017	N34	P0442001	K15	P31FB92EMMN	J4	P31KA92CN	B73
NNR-2-026	N34	P04425	E15, E25, J37, K15, K21	P31HB92BN5P	B22	P31KA92CP	B73
NNR-3-024	N34			P31HB92BN5P	K18	P31KA93CN	B73
NNR-3-039	N34	P04426	E15, E25, J37, K15, K21	P31HB92BNNP	B22	P31KA93CP	B73
NNR-4-035	N34			P31HB92BNNP	K18	P31KB00AL	B78
NNR-4-050	N34	P04427	E15, E25, J37, K15, K21	P31KA00CB	B9, B15, B21, B23, B43, B51, B73	P31KB00AT	B78, J23, K7
NNR-5-040	N34			P31KA00CB	J5, J11, J17, J31, J41	P31KB00BGB	B9, B15, B43, B77, J5, J11, J31
NNR-6-048	N34	P04428	K15	P31KA00CB	K17, K19	P31KB00BGM	B9, B15, B43, B77, J5, J11, J31
NNR-6-075	N34	P11912	E35, E37, E39, E41	P31KA00CY	B78	P31KB00BGN	B51, B76, J41
NNR-8-062	N34	P2FC6449	B79, C25	P31KA00ES9	B15, B76, J11	P31KB00BMB	B9, B15, B43, B77, J5, J11, J31
NNR-8-075	N34	P2FCA449	B79, C25	P31KA00ESA	B15, B76, J11	P31KB00BMM	B9, B15, B77
		P2FCA453	B79, C25	P31KA00ESE	B9, B43, B76, J5, J31	P31KB00BMM	J5, J11
		P2FCB449	B79, C25	P31KA00MM	B21, B23, B43, B76, J17, J31	P31KB00BMN	B51, B77, J41
		P2FCB453	B79, C25	P31KA00MM	K17, K19	P31KB00MR	B21, B23, B43, B73, J17, J31, K17, K19
P01173	D7, D9, J19, J21, J29, J35, K3, K5, K13	P2FP23N4A	B79, C25	P31KA00MP	B21, B23, B43, B76, J17, J31, K17, K19	P31KB00PR	B78
P01174	D7, D9, J19, J21, J29, J35	P2FP23N4B	B79, C25	P31KA00MT	B9, B15, B21, B23, B43, B51, B73, J5, J11, J17, J31, J41	P31KB00PS	B78
P01174	K3, K5, K13	P31CA92GEBN5LNW	B56	P31KA00MT	K17, K19	P31KB00PT	B78
P01175	D7, D9, J19, J21, J29, J35, K3, K5, K13	P31CA92GEMN5LNW	B56	P31KA00MW	B9, B15, B21, B43, B51, B73, J5, J11, J17, J31, J41, K17	P31KB00PV	B78
P01175	D7, D9, J19, J21, J29, J35, K3, K5, K13	P31CB92GEBN5LNW	B56	P31KA00PL	B51, B76	P31KB00RB	B21, B23, B43, B77, J17, J31, K17, K19
P01175	D7, D9, J19, J21, J29, J35, K3, K5, K13	P31CB92GEMN5LNW	B56				
P01176	D7, D9, J19, J21, J29, J35, K3, K5, K13	P31DA92PPN	B60				
P01265	D7, D9, J19, J35, K3	P31DA92SGNC1FN	B60				
P01531	D7, J19, J29, K3, K13	P31DA92SGNC2CN	B60				
P01698	E17, E19, E27, E29, E31, K27	P31EB92EGBBN5P	B42				
P02934	E15, E25, J37, K21	P31EB92EGBBN5P	J30				
		P31EB92EGMBN5P	B42				
		P31EB92EMBBN5P	B42				
		P31EB92EMMBN5P	B42				
		P31EB92EMMBN5P	J30				

Part Number Index

Safety Guide

Offer of Sale

Part Number Index, Safety Guide, Offer of Sale



For inventory, lead time, and kit lookup, visit [www.pdnplu.com](http://www.pdnplu.com)

Model No.	Section / Page No.	Model No.	Section / Page No.	Model No.	Section / Page No.	Model No.	Section / Page No.
P31KB00RC.....	B21, B23, B43, B77, J17, J31, K17, K19	P32EB92ESMBNGP .....	B44	P32FB94ESMN .....	B10	P32KA13CP .....	B74, B75
P31KB00RQ .....	B15, B76, J11	P32EB92ESMPNGP .....	B46	P32HB92BNNP .....	B28, K24	P32KA14CP .....	B67, B74, B75
P31LB92LGNN .....	B50, J40	P32EB93EGABNGP .....	B44	P32HB93BNNP .....	B28, K24	P32KA16CP .....	B67, B74, B75
P31LB92LMNN .....	B50, J40	P32EB93EGAPNGP .....	B46	P32HB94BNNP .....	B28, K24	P32KA22CP .....	B74, B75
P31MA92022N .....	B71	P32EB93EGMBNGP .....	B44	P32KA00CB .....	B11, B13, B17, B19, B25, B27, B29, B31, B45, B47, B49, B53, B55, B67, B75, K23, K25, K29	P32KA23CP .....	B74, B75
P31PA92AD2VD1 .....	B32, K64	P32EB93EGMPNGP .....	B46	P32KA00CY .....	B78	P32KA24CP .....	B67, B74, B75
P31QA92GEBN5LNW .....	B56	P32EB93ESABNGP .....	B44	P32KA00DA .....	B11, B13, B17, B19, B45, B47, B49, B76	P32KA26CP .....	B67, B74, B75
P31QA92GEMN5LNW .....	B56	P32EB93ESAPNGP .....	B46	P32KA00ES9 .....	B17, B76, M16	P32KA92CP .....	B74, B75
P31QB92GEBN5LNW .....	B56	P32EB93ESMBNGP .....	B44	P32KA00ESA .....	B17, B76	P32KA94CP .....	B67, B74, B75
P31QB92GEMN5LNW .....	B56	P32EB93ESMPNGP .....	B46	P32KA00ESC .....	B17, B76, M16	P32KA96CP .....	B67, B74, B75
P31RB92BN5P .....	B20, J16, K16	P32EB94EGABNGP .....	B44	P32KA00ESE .....	B11, B45, B47, B76, M16	P32KB00AL .....	B78
P31RB92BNNP .....	B20, J16, K16	P32EB94EGAPNGP .....	B46	P32KA00ES9 .....	B17, B76, M16	P32KB00AT .....	B78
P31SA92PPN .....	B62	P32EB94EGMBNGP .....	B44	P32KA00ES9 .....	B17, B76, M16	P32KB00BGA .....	B77
P31SA92SGNC1FN .....	B62	P32EB94ESABNGP .....	B44	P32KA00ESA .....	B17, B76	P32KB00BGM .....	B11, B17, B45, B47, B77
P31SA92SGNC2CN .....	B62	P32EB94ESAPNGP .....	B46	P32KA00ESC .....	B17, B76, M16	P32KB00BGN .....	B53, B76
P31SA92YON .....	B62	P32EB94ESMBNGP .....	B44	P32KA00ESE .....	B11, B45, B47, B76, M16	P32KB00BMA .....	B77
P31TA92PPN .....	B64	P32EB94ESMPNGP .....	B46	P32FA94DSAN .....	M2, M13	P32KB00BMM .....	B77
P31TA92SGNC1FN .....	B64	P32FA94ESAN .....	M2	P32FA94FSAN .....	M13	P32KB00BSA .....	B77
P31TA92SGNC2CN .....	B64	P32FA94QSAN .....	M13	P32FB92DGAN .....	B16	P32KB00BSM .....	B11, B17, B45, B47, B77
P31VB92LBNN .....	B70	P32FB92DGMN .....	B16	P32FB92DGMN .....	B16	P32KB00BSN .....	B53, B77
P32CA92GEANGLNW .....	B57	P32FB92DSAN .....	B16	P32FB92DSAN .....	B16	P32KB00MR .....	B25, B27, B29, B45, B47, B74
P32CA92GEMNGLNW .....	B57	P32FB92DSMN .....	B16	P32FB92EGAN .....	B10	P32KB00MR .....	K23, K25
P32CA93GEANGLNW .....	B57	P32FB92EGAN .....	B10	P32FB92EGMN .....	B10	P32KB00PR .....	B78
P32CA93GEMNGLNW .....	B57	P32FB92EGMN .....	B10	P32FB92ESAN .....	B10	P32KB00PS .....	B78
P32CA94GEANGLNW .....	B57	P32FB92ESAN .....	B10	P32FB92ESMN .....	B10	P32KB00PT .....	B78
P32CA94GEMNGLNW .....	B57	P32FB92ESMN .....	B10	P32FB93DGAN .....	B16	P32KB00PV .....	B78
P32CB92GEANGLNW .....	B57	P32FB93DGAN .....	B16	P32FB93DGMN .....	B16	P32KB00RB .....	B25, B27, B29, B45, B47, B77, K23, K25
P32CB92GEMNGLNW .....	B57	P32FB93DGMN .....	B16	P32FB93DSAN .....	B16	P32KB00RC .....	B25, B27, B29, B45, B47, B77, K23, K25
P32CB93GEANGLNW .....	B57	P32FB93DSAN .....	B16	P32FB93DSMN .....	B16	P32LB92LGNN .....	B52
P32CB93GEMNGLNW .....	B57	P32FB93DSMN .....	B16	P32FB93EGAN .....	B10	P32LB92LSNN .....	B52
P32CB94GEANGLNW .....	B57	P32FB93EGAN .....	B10	P32FB93EGMN .....	B10	P32LB93LGNN .....	B52
P32CB94GEMNGLNW .....	B57	P32FB93EGMN .....	B10	P32FB93ESAN .....	B10	P32LB93LSNN .....	B52
P32DA94PPN .....	B60	P32FB93ESAN .....	B10	P32FB93ESMN .....	B10	P32LB94LGNN .....	B52
P32DA94SCNA2CN .....	B60	P32FB93ESMN .....	B10	P32FB94DGAN .....	B16	P32LB94LSNN .....	B52
P32DA94SCNA3GN .....	B60	P32FB94DGAN .....	B16	P32FB94DGMN .....	B16	P32MA94024N .....	B71
P32EB92EGABNGP .....	B44	P32FB94DGMN .....	B16	P32FB94DSAN .....	B16	P32PA92AD2VD1 .....	B32, K64
P32EB92EGAPNGP .....	B46	P32FB94DSAN .....	B16	P32FB94DSMN .....	B16	P32QA92GEANGLNW .....	B57
P32EB92EGMBNGP .....	B44	P32FB94DSMN .....	B16	P32FB94EGAN .....	B10		
P32EB92EGMPNGP .....	B46	P32FB94EGAN .....	B10	P32FB94EGMN .....	B10		
P32EB92ESABNGP .....	B44	P32FB94EGMN .....	B10	P32FB94ESAN .....	B10		
P32EB92ESAPNGP .....	B46	P32FB94ESAN .....	B10	P32FB94ESMN .....	B10		
				P32KA12CP .....	B74, B75		

Part Number Index

Safety Guide

Offer of Sale

Part Number Index, Safety Guide, Offer of Sale



For inventory, lead times, and kit lookup, visit [www.pdnplu.com](http://www.pdnplu.com)



Model No.	Section / Page No.	Model No.	Section / Page No.	Model No.	Section / Page No.	Model No.	Section / Page No.
P32QA92GEMNGLNW.....	B57	P33EA96EGMBNGP .....	B48	P33KA00MT .....	B13	P3NCA96SGMNNLNA .....	G14
P32QA93GEANGLNW .....	B57	P33EA96ESABNGP .....	B48	P33KA00PR .....	B78	P3NCA98SGMNNLNA .....	G14
P32QA93GEMNGLNW.....	B57	P33EA96ESMBNGP.....	B48	P33KA00PS .....	B78	P3NCA9PSGMNNLNA.....	G14
P32QA94GEANGLNW .....	B57	P33FA94DGAN .....	B18	P33KA00PT .....	B78	P3NCB96SGMNNLNA .....	G14
P32QA94GEMNGLNW.....	B57	P33FA94DGMN.....	B18	P33KA00PV .....	B78	P3NCB98SGMNNLNA .....	G14
P32QB92GEANGLNW .....	B57	P33FA94DSAN.....	B18, M13	P33KA00RB.....	B31, B49, B77, K29	P3NCB9PSGMNNLNA.....	G14
P32QB92GEMNGLNW ....	B57	P33FA94DSMN .....	B18	P33KA00RC.....	B31, B49, B77, K29	P3NEA96GSABNN.....	G10
P32QB93GEANGLNW .....	B57	P33FA94EGAN.....	B12	P33LA94LGNN .....	B54	P3NEA96GSMBNN.....	G10
P32QB93GEMNGLNW ....	B57	P33FA94EGMN .....	B12	P33LA94LSNN.....	B54	P3NEA98GSABNN.....	G10
P32QB94GEANGLNW .....	B57	P33FA94ESAN .....	B12	P33LA96LGNN .....	B54	P3NEA9PSGABNN .....	G10
P32QB94GEMNGLNW ....	B57	P33FA94ESMN .....	B12	P33LA96LSNN .....	B54	P3NEA9PGSMBNN.....	G10
P32RB92BNGP.....	B24, K22	P33FA94FSAN .....	M13	P33MA96024N .....	B71	P3NFA96DSA.....	M2, M13, G4
P32RB92BNNP .....	B24, K22	P33FA94QSAN.....	M13	P33QA94GEANGLNW ....	B58	P3NFA96DSM.....	G4
P32RB92PNGP.....	B26	P33FA96DGAN .....	B18	P33QA94GEMNGLNW.....	B58	P3NFA96ESA .....	M2
P32RB92PNNP .....	B26	P33FA96DGMN.....	B18	P33QA94GEMNGLNW.....	B58	P3NFA96FSA .....	M13
P32RB93BNGP.....	B24, K22	P33FA96DSAN.....	B18, M2	P33QA96GEANGLNW .....	B58	P3NFA96GSA.....	G2
P32RB93BNNP.....	B24, K22	P33FA96DSMN .....	B18	P33QA96GEMNGLNW.....	B58	P3NFA96GSM.....	G2
P32RB93PNGP .....	B26	P33FA96EGAN.....	B12	P33QB94GEANGLNW .....	B58	P3NFA96QSA.....	M13
P32RB93PNNP .....	B26	P33FA96EGMN .....	B12	P33QB94GEMNGLNW ....	B58	P3NFA98DSA.....	M13, G4
P32RB94BNGP.....	B24, K22	P33FA96ESAN .....	B12, M2	P33QB96GEANGLNW .....	B58	P3NFA98DSM.....	G4
P32RB94BNNP .....	B24, K22	P33FA96ESMN .....	B12	P33QB96GEMNGLNW ....	B58	P3NFA98FSA .....	M13
P32RB94PNGP.....	B26	P33KA00BGA .....	B77	P33RA94BNGP.....	B30, K28	P3NFA98GSA.....	G2
P32RB94PNNP .....	B26	P33KA00BGM.....	B13, B19, B49, B77	P33RA94BNNP .....	B30, K28	P3NFA98GSM.....	G2
P32SA94PPN.....	B62	P33KA00BGN .....	B55, B76	P33RA96BNGP.....	B30, K28	P3NFA98QSA.....	M13
P32SA94SCNA2CN .....	B62	P33KA00BMA .....	B77	P33RA96BNNP .....	B30, K28	P3NFA9PDSA .....	M2, G4
P32SA94SCNA3GN .....	B62	P33KA00BMM .....	B77	P33TA96RG4F2CN .....	B66	P3NFA9PDSM.....	G4
P32SA94Y0N.....	B62	P33KA00BMM.....	B55, B77	P33TA96RG4G2CN .....	B66	P3NFA9PESA.....	M2
P32TA94PPN .....	B64	P33KA00BMN.....	B55, B77	P33VB94LBNN .....	B70	P3NFA9PGSA .....	G2
P32TA94SCNA2CN.....	B64	P33KA00BSA.....	B77	P33VB96LBNN .....	B70	P3NFA9PGSM.....	G2
P32TA94SCNA3GN .....	B64	P33KA00BSM.....	B13, B19, B49, B77	P3A-RN91YGN .....	J20, K4	P3NKA00BSA .....	G3, G5, G11
P32VB93LBNN .....	B70	P33KA00BSN .....	B55, B77	P3A-RN91YNN .....	J20, K4	P3NKA00BSM .....	G3, G5, G11, G13
P32VB94LBNN .....	B70	P33KA00ES9 .....	B19, B76	P3A-RN92YGN .....	J20, K4	P3NKA00BSN.....	G13
P33CA94GEANGLNW .....	B58	P33KA00ES9 .....	M16	P3BA20812.....	K100, K102	P3NKA00ESA .....	G3, G11
P33CA94GEMNGLNW.....	B58	P33KA00ESA.....	B19, B76	P3BA20822.....	K100, K102	P3NKA00ESCB.....	M16, G5
P33CA96GEANGLNW .....	B58	P33KA00ESC.....	B19, B76	P3BA20823.....	K100	P3NKA00ESE... G3, G11, M16	
P33CA96GEMNGLNW.....	B58	P33KA00ESC.....	M16	P3EA63242NS .....	K98	P3NKA00ESG .....	G3, G11
P33CB94GEANGLNW .....	B58	P33KA00ESE .....	B13, B49, B76, M16	P3EA63252NS .....	K98	P3NKA00MW.....	E54, G3, G5, G7, G9, G11, G13, G15, K33, K55
P33CB94GEMNGLNW.....	B58	P33KA00EML.....	B13, B19, B55, B75	P3HKA00MC.....	B40, B61, B63, B65, K72	P3NKA00PD .....	G9, K55
P33CB96GEANGLNW .....	B58	P33KA00MM.....	B31, B49, B76, K29	P3HKA00ML .....	B40, B61, B63, B65, K72	P3NKA00PE.....	G3, G5, G11, G13
P33CB96GEMNGLNW.....	B58	P33KA00MP .....	B31, B49, B76, K29	P3KKA00MC.....	B41, K73	P3NKA00PK.....	G13
P33EA94EGABNGP .....	B48	P33KA00MR .....	B31, B49, B75, K29	P3KNA00ES9.....	M16		
P33EA94EGMBNGP .....	B48						
P33EA94ESABNGP .....	B48						
P33EA94ESMBNGP.....	B48						
P33EA96EGABNGP .....	B48						

Part Number Index

Safety Guide

Offer of Sale

Part Number Index, Safety Guide, Offer of Sale



For inventory, lead time, and kit lookup, visit [www.pdnplu.com](http://www.pdnplu.com)

Model No.	Section / Page No.	Model No.	Section / Page No.	Model No.	Section / Page No.	Model No.	Section / Page No.
P3NKA00PL	G13	P3TFA9BWGAN	L2, M2	P3YKA00ESA	C7, C27	P4GAA98	N13
P3NKA00PM	G15	P3TFA9CWHAN	L2, M2	P3YKA00ESC	C7, C27	P4GAA9C	N13
P3NKA00PN	G7, G11, K33	P3TFA9EWKAN	L2, M2	P3YKA00ESE	C5, C15, C27	P4GBA12	N13
P3NKA00RL	G13	P3TFAFFD2AN	H14, M2	P3YKA00ESG	C5	P4GBA13	N13
P3NKA00RN	G7, G11, K33	P3TFAFFQ2AN	H14, M2	P3YKA00MM	C9, C15, C27, K31	P4GBA14	N13
P3NKA00RR	G7, G11, K33	P3TFAFFW2AN	L5, M2	P3YKA00MS	C9, C15, C27, K31	P4GBA92	N13
P3NKB16CL	G15	P3TFAFGD3AN	H14, M2	P3YKA00PL	C17, C27	P4GBA93	N13
P3NKB16CP	G15	P3TFAFGQ3AN	H14, M2	P3YKA00RN	C9, C15, C27, K31	P4GBA94	N13
P3NKB18CL	G15	P3TFAFGW3AN	L5, M2	P3YKA00RQ	C7, C27	P6G-PR10040	B21, B23, B25, B27, B29, B78
P3NKB18CP	G15	P3TKA00MWA	L4	P3YKA00RR	C9, C15, C27, K31	P6G-PR10040	J17
P3NKB1BCL	G15	P3TKA00MWB	L4	P3YKA00RY	C7, C27	P6G-PR10040	K17, K19, K23, K25
P3NKB1BCP	G15	P3TKA00MWD	L4	P3YKA08CY	C27	P6G-PR10110	B21, B23, B25, B27, B29, B78
P3NKB96CL	G15	P3TKA00MWF	L4	P3YLA96LSNN	C16	P6G-PR10110	J17, K17, K19, K23, K25
P3NKB96CP	G15	P3TKA00MWJ	L4	P3YLA98LSNN	C16	P6G-PR90060	B21, B23, B25, B27, B29, B78, J17, K17, K19, K23, K25
P3NKB98CL	G15	P3XKA00AS	C15, C27	P3YMA1V0N	C24	P6G-PR90160	B21, B23, B25, B27, B29, B78, J17, K17, K19, K23, K25
P3NKB98CP	G15	P3YCA96SEANFLNF	C18	P3YMA9V0N	C24	P6M-PAB1	N18
P3NKB9BCL	G15	P3YCA96SECNFLNF	C18	P3YPA96BD2VA2A	C12	P6M-PAB2	N18
P3NKB9BCP	G15	P3YCA98SEANFLNF	C18	P3YPA98BD2VA2A	C12	P6M-PAB3	N18
P3NLA96LSN	G12	P3YCB96SEANFLNF	C18	P3YRA96BNEN	C8, K30	P6M-PAB4	N18
P3NLA98LSN	G12	P3YCB96SECNFLNF	C18	P3YRA96BNFN	C8, K30	P6M-PAB6	N18
P3NLA9PLSN	G12	P3YCB98SEANFLNF	C18	P3YRA96BPPN	C10, K62	P6M-PAB8	N18
P3NRA96BNG	G6, K32	P3YCB98SECNFLNF	C18	P3YRA98BNEN	C8, K30	P6M-PAC5	N18
P3NRA96BNN	G6, K32	P3YEA96ESABNEN	C14	P3YSA96Y0N	C22	P78652	D7, D9, J19, J21, J29, J35, K3, K5, K13
P3NRA96BPP	G8, K54	P3YEA96ESABNFN	C14	P3YSA98Y0N	C22	PB11-04WJCRSS	F16
P3NRA98BNG	G6, K32	P3YEA96ESABNFN	C14	P3YTA96PPN	C20	PB11-04WJCSS	F16
P3NRA98BNN	G6, K32	P3YEA96ESCBNEN	C14	P3YTA98PPN	C20	PB12-04WJCRSS	F16
P3NRA98BPP	G8, K54	P3YEA96ESCBNFN	C14	P3YTA96SCNA2CN	C20	PB12-04WJCSS	F16
P3NRA9PBNG	G6, K32	P3YEA98ESABNEN	C14	P3YTA98SCNA2CN	C20	PB548-02DHCSS	F14
P3NRA9PBNN	G6, K32	P3YEA98ESABNFN	C14	P4CG4201D003	K82	PB558-02DHCSS	F14
P3NRA9PBPP	G8, K54	P3YEA98ESCBNEN	C14	P4CN2001C001	K82	PCKR364T	K105
P3RA10232	K92	P3YFA96DSAN	C6	P4CN4001C001	K82	PCKR364Y	K105
P3RA10232BP	K94	P3YFA96DSCN	C6	P4GAA12	N13	PEFR-2.5-0500	N32
P3RA10242	K92	P3YFA96ESAN	C4	P4GAA13	N13	PEFR-4-0500	N32
P3RA10242BP	K94	P3YFA96ESCN	C4	P4GAA14	N13	PEFR-4-1000	N32
P3RA10262	K92	P3YFA98DSAN	C6	P4GAA16	N13	PEFR-6-0500	N32
P3RA10262BP	K94	P3YFA98DSCN	C6	P4GAA18	N13		
P3RA17132NNKN	K96	P3YFA98ESAN	C4	P4GAA1C	N13		
P3RA30232	K90	P3YFA98ESCN	C4	P4GAA92	N13		
P3RA30242	K90	P3YKA00BSA	C5, C7, C15, C27	P4GAA93	N13		
P3RA30252	K90	P3YKA00BSC	C5, C7, C15, C27	P4GAA94	N13		
P3TFA92WAAN	L2	P3YKA00BSN	C17, C27	P4GAA96	N13		
P3TFA93WBAN	L2	P3YKA00CB	C27				
P3TFA94WCAN	L2, M2	P3YKA00CW	C27				
P3TFA96WDAN	L2, M2						
P3TFA98WEAN	L2						

Part Number Index

Safety Guide

Offer of Sale

Part Number Index, Safety Guide, Offer of Sale



For inventory, lead times, and kit lookup, visit [www.pdnplu.com](http://www.pdnplu.com)

Model No.	Section / Page No.	Model No.	Section / Page No.	Model No.	Section / Page No.	Model No.	Section / Page No.
PEFR-8-0250	N32	PRD200	M5	PS19549-1	K103	PS2982B42P	K80
PF10-04WJRSS	F4	PRD250	M5	PS19549-1E	K103	PS2982B45P	K80
PF10-04WJSS	F4	PRD250-230360	M2	PS19549-2	K103	PS2982B49P	B79
PF11-04WJRSS	F8	PRD250-460360	M2	PS19549-20E	K103	PS2982B49P	K80
PF11-04WJSS	F8	PRD325	M5	PS19549-3	K103	PS2982B53P	B79, K80
PF501-02DHRSS	F6	PRD325-230360	M2	PS19968-NR	K99	PS3202B42P	K80
PF501-02DHSS	F6	PRD325-460360	M2	PS2028BP	B80, C26	PS3202B45P	K80
PF504-02DHRSS	F2	PRD400	M5	PS2028BP	E49, E51	PS3202B49P	K80
PF504-02DHSS	F2	PRD400-230360	M2	PS2028JBP	B80	PS3202B53P	K80
PHRKS105	E51	PRD400-460360	M2	PS2028JBP	E49, E51	PS401P	D3, D9, J7, J35
PHRKS75	E51	PRD500	M5	PS2028JCP	B80, C26	PS403P	D3, D9, J7, J35
PHRKSC105	E49	PRD500-230360	M2	PS203279BP	B80, C26	PS404P	D3, D5, D9, J7, J13, J35
PHRKSC75	E49	PRD500-460360	M2	PS203279BP	E49, E51	PS407P	D3, J7
PHRKSS105	E53	PRD700	M5	PS203283BP	B80, C26	PS408BP	D3, D5, D9, J7, J13, J35
PHRKSS75	E53	PRD700-230360	M2	PS203283BP	E49, E51	PS417BP	D3, D5, D7, D9, D13, E54, J7, J13, J19, J21, J29, J35
PL10-04DSS	F18	PRD700-460360	M2	PS2032J79BP	E49, E51	PS417BP	D3, D5, D7, D9, D13, E54, J7, J13, J19, J21, J29, J35
PL10-04WSS	F18	PRD800	M5	PS2032J79CP	B80, C26	PS417BP	K3, K5, K13
PPS1-2C3-RHM	N8	PRD800-230360	M2	PS2032J83BP	E49, E51	PS419	D11, D13, E54, J43
PPS1-2C3-RWL	N8	PRD800-460360	M2	PS2032J83CP	B80, C26	PS420P	D11, J43
PR10-04CSS	F12	PRD1000	M5	PS20966-9	K97	PS421P	D11, J43
PR11-04CSS	F12	PRD1000-460360	M2	PS20967-1	K97	PS424BP	J29, K13
PR354-02CSS	F10	PRD1200	M5	PS21667-1	K91	PS426P	D7, D9, J19, J21, J29, J35, K3, K5, K13
PR364-02CSS	F10	PRD1200-460360	M2	PS2429BP	B80, C26, E49, E51	PS428P	D7, D9, J19, J21, J29, J35, K3, K5, K13
PRD10	M5	PRD1600	M5	PS2429JBP	B80, C26, E49, E51	PS434	J39
PRD10-115160	M2	PRD1600-460360	M2	PS243079BP	B80, C26, E49, E51	PS435	J39
PRD15	M5	PRD2000	M5	PS243083BP	B80, C26, E49, E51	PS436	J3
PRD15-115160	M2	PRD2000-460360	M2	PS2430J79BP	B80, C26, E49, E51	PS446P	D5, J13
PRD25	M5	PRD200-230160	M2	PS2430J83BP	B80, C26, E49, E51	PS447BP	D3, D5, D9, D11, J7, J13, J35, J43
PRD25-115160	M2	PRD2400	M5	PS2932BP	B80, K80	PS451BP	D3, D5, D9, J7, J13, J35
PRD35	M5	PRD2400-460360	M2	PS2932JBP	B80, E9, E11, E13, J15	PS452P	D3, D9, J7, J35
PRD35-115160	M2	PRKR163Y	K105	PS2932JBP	K80	PS454B	J29, K13
PRD50	M5	PRKR164Y	K105	PS294675BP	K80	PS456P	D5, J13
PRD50-115160	M2	PS09921	K93, K95, K97, K101	PS294679BP	B80, C26, K80	PS505CP	E35, E37, E39, E41, E55
PRD75	M5	PS12125-1	K93	PS294683BP	B80, C26, K80	PS506P	E5, E7, E11, E13, E27, E29, E31, G3, G5, G11
PRD75-115160	M2	PS12125-4	K93	PS2946J75BP	K80		
PRD100	M5	PS12127-1	K95	PS2946J79BP	B80, C26, K80		
PRD100-115160	M2	PS12163	K91	PS2946J83BP	B80, C26, K80		
PRD125	M5	PS12165	K93, K95, K99				
PRD125-115160	M2	PS16116-13	K91				
PRD125-230160	M2	PS16116-14	K91				
PRD150	M5	PS19513-11	K101				
PRD150-115160	M2	PS19513-11I	K101				
PRD150-230160	M2	PS19513-12	K101				
PRD175	M5	PS19513-13	K101				
PRD175-230160	M2						

Part Number Index

Safety Guide

Offer of Sale

Part Number Index, Safety Guide, Offer of Sale



For inventory, lead time, and kit lookup, visit [www.pdnplu.com](http://www.pdnplu.com)

Model No.	Section / Page No.	Model No.	Section / Page No.	Model No.	Section / Page No.	Model No.	Section / Page No.
PS511P	E11, E13, E27	PS734P	E5, E11, E27	PS811P	E29	PS907P	K15
PS512P	E3, E5, E7, E9, E11, E13, E25, E27, E29, E31, E33, E35, E37, E39, E41, G3, G5, G11, G13, J15, J37	PS735P	E5, E11, E27	PS813P	E23, E29, K53	PS908P	E15, E25, J37, K21
PS513P	E11, E13	PS737P	E17, E19, E27, E29, E31, K27	PS817P	E37, E41	PS910P	K15
PS602P	H27, K41	PS738P	E39, E41	PS819P	E37, E41	PS914P	E3, E5, E7, E9, E11, E13, E25, E33, J15, J37
PS603P	H27, K41	PS739P	E35, E37	PS820P	E37, E41	PS915P	E15, E25, J37, K21
PS604P	H27, K41	PS740N	E35, E37, E39, E41, F19, G13	PS822P	E7, E13, E29	PS924P	E9, J15
PS605P	H27, K41	PS740P	E33, E35, E37, E39, E41, G13	PS823P	E7, E13, E29	PS931P	E3, E25, J37
PS607P	H33	PS741P	E39, E41	PS824P	E13	PS932P	E3, E9, E25, J15, J37
PS610P	H33	PS742P	E35, E37	PS826P	E7, E13, E29, E31	PS943P	E3, E9, E33, E54, J15
PS612P	H33	PS743P	E5, E11, E35, E39, E54	PS828P	E37, E41	PS946P	E33
PS613P	H33	PS745P	E21, E23, K51, K53	PS829P	E37, E41	PS948P	E33
PS626P	H27, K41	PS746P	E35, E39	PS830P	E13	PS954P	E46
PS627	H27, K41	PS747P	E21, K51	PS831P	E7, E29	PS955P	E46
PS701P	E5, E27	PS748P	E35, E37	PS832P	E7, E13, E29	PS963P	E15, E25, E54, J37
PS702P	E5, E27	PS749P	E21, K51	PS834P	E7, E13, E29, E31	PS963P	K15, K21
PS705P	E5, E11, E27, E35, E39	PS750P	E47	PS835P	E7, E13, E29	PS964P	E15, E25, J37, K15, K21
PS707P	E17, E21, E27, E54, K51	PS751P	E47	PS843P	E7, E13, E37, E41, E54	PS995P	E3, E9, E25, J15, J37
PS708P	E17	PS752P	E47	PS846P	E37, E41	PS998P	E3, E9, E25, J15, J37
PS708RP	E17	PS754P	E49, E51, E53	PS847P	E23, K53	PSY1035001	H14
PS709P	E17	PS755P	E46	PS849P	E23, K53	PSY1035002	H14
PS710P	E27	PS756P	E46	PS850P	E47	PTC-001	N34
PS711P	E27	PS757P	E46	PS851P	E47	PTW25	M13, M16
PS713P	E21, E27, K51	PS761P	E47	PS852P	E47	PTW40	M13, M16
PS715P	E17, E19, E27, E29, E31, K27	PS762P	E47	PS853P	E47	PTW55	M13, M16
PS716P	E35, E37, E39, E41	PS764	E9, E11, E13, J15	PS854P	E46, E49, E51, E53	PTW75	M13, M16
PS717P	E35, E39	PS765P	E47	PS856P	E46	PTW100	M13, M16
PS718P	E39, E41	PS766P	E47	PS857P	E46	PTW130	M13, M16
PS719P	E35, E39	PS767P	E47	PS860P	E47	PTW200	M13, M16
PS720P	E35, E39	PS781P	E9, E11, E13, G3, G5, J15	PS861P	E47	PTW250	M13, M16
PS722P	E5, E11, E27	PS799P	E47	PS862P	E47	PTW300	M13, M16
PS723P	E5, E11, E27	PS801P	E7, E29	PS863P	E47	PTW400	M13, M16
PS724P	E11	PS802P	E7, E29	PS864P	E47	PTW500	M13, M16
PS726P	E5, E11, E27	PS805P	E7, E13, E29, E37, E41	PS865P	E47	PTW600	M13, M16
PS728P	E35, E39	PS807P	E19, E23, E29, E31, E54, K27, K53	PS866P	E47	PTW800	M13, M16
PS729P	E35, E39	PS808P	E19, K27	PS867P	E47	PV607-2	N23
PS730P	E11	PS808RP	E19, K27	PS884P	E31	PV607-4	N23
PS731P	E5, E27	PS809P	E19, K27	PS885P	E31	PV608-2	N23
PS732P	E5, E11, E27	PS810P	E29	PS886P	E31	PV608-4	N23

Part Number Index

Safety Guide

Offer of Sale

Part Number Index, Safety Guide, Offer of Sale



For inventory, lead times, and kit lookup, visit [www.pdnplu.com](http://www.pdnplu.com)

Model No.	Section / Page No.	Model No.	Section / Page No.	Model No.	Section / Page No.	Model No.	Section / Page No.
PV609-2.....	N23	R216-03FP.....	K38	RK504SY-SS.....	F3, F7, F15	RRP-95-914.....	K45
PV609-4.....	N23	R24-01CK.....	K106	RK548YSS.....	F15	RRP-96-934.....	K43, K45
R05X51.....	J27, K11	R24-02CK.....	K106	RK549YSS.....	F15	RRP-96-935.....	K47, K49
R05X51-A.....	J23, J25, J27, J33, K7, K9, K11, K105	R25-01C.....	J24, K8	RK602B.....	H3	RSC 4.5T-2/S1587.....	B67
R05X51-P.....	F11, F15, J23, J25, J33	R25-02C.....	J24, K8	RK602C.....	H5, H7	SA10MDSS.....	F5, F9, F17
R05X51-P.....	K7, K9, K105, K107, K109	R342-0MA.....	J22, K6	RK602D.....	H3, H5, H7	SA15Y57.....	H17, K35
R05X51-SS.....	F11, F15	R342-0MB.....	J22, K6	RK602MD.....	H3, H5, H7	SA161X57.....	J23, J25, J27, J33, K7, K9, K11, K105, K107, K109
R10X51-P.....	F13, F17	R342-0MC.....	J22, K6	RK606SY.....	H29, H31	SA200AW57.....	H3, H13, H29
R10X51-SS.....	F13, F17	R344-01A.....	J22, K6	RK606Y.....	H29, H31	SA200CW57.....	M8, H3, H13, H29
R10Y57-SS.....	F13, F17	R344-01AG.....	J22, K6	RK701P.....	H13	SA600Y7-1.....	H3, H5, H7, H13
R119-02C.....	H16, K34	R344-01B.....	J22, K6	RKB605WB.....	H3, H5, H7, H29, H31	SA600Y7-1SS.....	F3, F5, F7, F15, F17, F19
R119-02CG.....	H16, K34	R344-01BG.....	J22, K6	RKB606X30B.....	H29, H31	SA602A7.....	H3, H5, H7
R119-02J.....	H20	R344-01C.....	J22, K6	RKC 4.5T-2/S1587.....	B67, C13	SA602D.....	H3, H5, H7
R119-02J/M2.....	K56	R344-01CG.....	J22, K6	RKC119Y.....	H17, K35	SA602MD.....	H3, H5, H7
R119-03C.....	H16, K34	R344-02A.....	J22, K6	RKC8T-2.....	K88	SA603D.....	H3, H5, H7
R119-03CG.....	H16, K34	R344-02AG.....	J22, K6	RKDD15-02-06.....	M8	SA702MD.....	H13
R119-03J.....	H20	R344-02B.....	J22, K6	RKDD30-03-08.....	M8	SAC18A3/BK.....	H17, K35
R119-03J/M2.....	K56	R344-02BG.....	J22, K6	RKDD60-03-08.....	M8	SAP05481.....	F3, F5, F7, F15, F17, F19
R119-04C.....	H16, K34	R344-02C.....	J22, K6	RKL10SS.....	F19	SKED3000N115.....	N3
R119-04CG.....	H16, K34	R344-02CG.....	J22, K6	RKR10KYSS.....	F13, F17	SPR-375-1.....	J25, K9, K107
R119-04J.....	H20	R45-02C.....	J26, K10	RKR10YSS.....	F13, F17	SPR-375-2-SS.....	F11, F15
R119-04J/M2.....	K56	R45-03C.....	J26, K10	RKR24KY.....	K107	SPR-376.....	J25, K9, K107
R119-04C.....	H16, K34	R46-02CK.....	K108	RKR24Y.....	K107	SPR-376-1-SS.....	F11, F15
R119-04CG.....	H16, K34	R46-03CK.....	K108	RKR25KY.....	J25, K9	SPR-377.....	J25, K9, K107
R119-04J.....	H20	RK118A.....	H17, K35	RKR25Y.....	J25, K9	SPR-377-1-SS.....	F11, F15
R119-04J/M2.....	K56	RK118B.....	H19, K37	RKR364KYSS.....	F11	SPR-388-1-SS.....	F13, F17
R119-06C.....	H18, K36	RK118D.....	H19, K37	RKR364YSS.....	F11	SPR-389-1-SS.....	F13, F17
R119-06CG.....	H18, K36	RK118X20A.....	H21, K57	RKR45KY.....	J27, K11, K109	SPR-390-1-SS.....	F13, F17
R119-06J.....	H22	RK118X20B.....	H23, K59	RRP-16-005-000.....	J33	SPR-46.....	J27, K11, K109
R119-06J/M2.....	K58	RK118X20D.....	H23, K59	RRP-16-024.....	K43, K45, K47, K49	SPR-47.....	J27, K11, K109
R119-08C.....	H18, K36	RK118X20Y.....	H21, K57	RRP-95-024.....	K49	SPR-48.....	J27, K11, K109
R119-08CG.....	H18, K36	RK118Y.....	H17, K35	RRP-95-151.....	K45	U-21-0250.....	N35
R119-08J.....	H22	RK119A.....	H17, K35	RRP-95-152.....	K47	U-21-0500.....	N35
R119-08J/M2.....	K58	RK119A250.....	H17, K35	RRP-95-153.....	K49	U-42-0250.....	N35
R119-10C.....	H18, K36	RK119B.....	H19, K37	RRP-95-192.....	K45, K47, K49	U-42-0500.....	N35
R119-10CG.....	H18, K36	RK119D.....	H19, K37	RRP-95-585.....	K43, K45, K47, K49	U-64-0100.....	N35
R119-12C.....	H18, K36	RK119G.....	H25, K61	RRP-95-765.....	K43	U-64-0250.....	N35
R119-12CG.....	H18, K36	RK119X20A.....	H21, K57	RRP-95-766.....	K45, K47, K49	U-86-0100.....	N35
R119-12J.....	H22	RK119X20B.....	H23, K59	RRP-95-905.....	K43, K45, K47, K49	U-86-0250.....	N35
R119-12J/M2.....	K58	RK119X20D.....	H23, K59	RRP-95-906.....	K43, K45, K47, K49	W169PLP-2-1.....	N59
R119-16J.....	H24, K60	RK119X20Y.....	H21, K57			W169PLP-2-2.....	N59
R119-20J.....	H24, K60	RK119Y.....	H17, K35				
R216-02F.....	K38	RK216KY.....	K39				
R216-02FP.....	K38	RK216Y.....	K39				
R216-03F.....	K38	RK504SY.....	J33				

Part Number Index

Safety Guide

Offer of Sale

Part Number Index, Safety Guide, Offer of Sale



For inventory, lead time, and kit lookup, visit [www.pdnplu.com](http://www.pdnplu.com)

Model No.	Section / Page No.	Model No.	Section / Page No.	Model No.	Section / Page No.	Model No.	Section / Page No.
W169PLP-2-4	N59	W171PLP-4-6	N59	W21542175B	K74	W369PLPX-2-4	N42
W169PLP-3-2	N59	W171PLP-5/32-2	N59	W21542179B	K74	W369PLPX-4-2	N42
W169PLP-4-1	N59	W171PLP-5-2	N59	W21542183B	K74	W369PLPX-4-4	N42
W169PLP-4-2	N59	W171PLP-5-4	N59	W21544172B	K74	W369PLPX-4-6	N42
W169PLP-4-4	N59	W171PLP-6-4	N59	W21544175B	K74	W369PLPX-5/32-2	N42
W169PLP-4-6	N59	W171PLP-6-6	N59	W21544179B	K74	W369PLPX-5/32-4	N42
W169PLP-5/32-1	N59	W171PLP-8-6	N59	W21544183B	K74	W369PLPX-5-2	N42
W169PLP-5/32-2	N59	W171PLP-8-8	N59	W368PLP-4-2	N45	W369PLPX-5-4	N42
W169PLP-5/32-4	N59	W171PW-4-2	N61	W368PLP-4-4	N45	W369PLPX-6-2	N42
W169PLP-5-2	N59	W171PW-4-4	N61	W368PLP-5/32-2	N45	W369PLPX-6-4	N42
W169PLP-5-4	N59	W171PW-4-6	N61	W368PLP-5/32-4	N45	W369PLPX-6-6	N42
W169PLP-6-2	N59	W171PW-5-2	N61	W368PLP-6-4	N45	W371PLP-2-1	N44
W169PLP-6-4	N59	W171PW-5-4	N61	W368PLP-6-6	N45	W371PLP-2-2	N44
W169PLP-6-6	N59	W171PW-6-4	N61	W369PLP-10M-4	N41	W371PLP-3-2	N44
W169PLP-6-8	N59	W171PW-6-6	N61	W369PLP-10M-6	N41	W371PLP-4-2	N44
W169PLP-8-4	N59	W171PW-8-6	N61	W369PLP-10M-8	N41	W371PLP-4-4	N44
W169PLP-8-6	N59	W171PW-8-8	N61	W369PLP-12M-6	N41	W371PLP-4-6	N44
W169PLP-8-8	N59	W172PLP-2-2	N59	W369PLP-12M-8	N41	W371PLP-5/32-2	N44
W169PLPNS-2-2	N59	W172PLP-3-2	N59	W369PLP-2-1	N41	W371PLP-5/32-4	N44
W169PLPNS-4-2	N59	W172PLP-4-2	N59	W369PLP-2-2	N41	W371PLP-5-2	N44
W169PLPNS-4-4	N59	W172PLP-4-4	N59	W369PLP-2-4	N41	W371PLP-5-4	N44
W169PLPNS5/32-2	N59	W172PLP-4-6	N59	W369PLP-3-2	N41	W371PLP-5-6	N44
W169PLPNS5/32-4	N59	W172PLP-5/32-2	N59	W369PLP-4-2	N41	W371PLP-6-2	N44
W169PLPNS-5-2	N59	W172PLP-5-2	N59	W369PLP-4-4	N41	W371PLP-6-4	N44
W169PLPNS-5-4	N59	W172PLP-5-4	N59	W369PLP-4-6	N41	W371PLP-6-6	N44
W169PLPNS-6-4	N59	W172PLP-6-4	N59	W369PLP-4M-2	N41	W371PLP-6-8	N44
W169PLPNS-6-6	N59	W172PLP-6-6	N59	W369PLP-4M-4	N41	W371PLP-8-4	N44
W169PLPNS-6-8	N59	W172PLP-8-4	N59	W369PLP-5/32-2	N41	W371PLP-8-6	N44
W169PLPNS-8-6	N59	W172PLP-8-6	N59	W369PLP-5/32-4	N41	W371PLP-8-8	N44
W169PLPNS-8-8	N59	W172PLP-8-8	N59	W369PLP-5-2	N41	W372PLP-10M-4	N43
W169PW-4-2	N61	W172PW-4-2	N61	W369PLP-5-4	N41	W372PLP-10M-6	N43
W169PW-4-4	N61	W172PW-4-4	N61	W369PLP-5-6	N41	W372PLP-10M-8	N43
W169PW-4-6	N61	W172PW-4-6	N61	W369PLP-6-2	N41	W372PLP-12M-6	N43
W169PW-5-2	N61	W172PW-5-2	N61	W369PLP-6-4	N41	W372PLP-12M-8	N43
W169PW-5-4	N61	W172PW-5-4	N61	W369PLP-6-6	N41	W372PLP-2-1	N43
W169PW-6-2	N61	W172PW-6-4	N61	W369PLP-6-8	N41	W372PLP-2-2	N43
W169PW-6-4	N61	W172PW-6-6	N61	W369PLP-6M-2	N41	W372PLP-2-4	N43
W169PW-6-6	N61	W172PW-8-4	N61	W369PLP-6M-4	N41	W372PLP-3-2	N43
W169PW-6-8	N61	W172PW-8-6	N61	W369PLP-8-4	N41	W372PLP-4-2	N43
W169PW-8-4	N61	W172PW-8-8	N61	W369PLP-8-6	N41	W372PLP-4-4	N43
W169PW-8-6	N61	W21540172B	K74	W369PLP-8-8	N41	W372PLP-4-6	N43
W169PW-8-8	N61	W21540175B	K74	W369PLP-8M-2	N41	W372PLP-4M-2	N43
W171PLP-2-2	N59	W21540179B	K74	W369PLP-8M-4	N41	W372PLP-4M-4	N43
W171PLP-4-2	N59	W21540183B	K74	W369PLP-8M-6	N41	W372PLP-5/32-2	N43
W171PLP-4-4	N59	W21542172B	K74	W369PLPX-2-2	N42	W372PLP-5/32-4	N43

Part Number Index

Safety Guide

Offer of Sale

Part Number Index, Safety Guide, Offer of Sale



For inventory, lead times, and kit lookup, visit [www.pdnplu.com](http://www.pdnplu.com)

Model No.	Section / Page No.	Model No.	Section / Page No.	Model No.	Section / Page No.
W372PLP-5-2	N43	W68PLPR-4-4	N58	XV502SS-12	N22
W372PLP-5-4	N43	W68PLPR-5/32-1	N58	XV502SS-16	N22
W372PLP-5-6	N43	W68PLPR-5/32-2	N58		
W372PLP-6-2	N43	W68PLPSP-4-2	N45		
W372PLP-6-4	N43	W68PLPSP-4-4	N45		
W372PLP-6-6	N43	W68PLPSP-5/32-2	N45		
W372PLP-6-8	N43	W68PLPSP-5/32-4	N45		
W372PLP-6M-2	N43	W68PLPSP-5-2	N45		
W372PLP-6M-4	N43	W68PLPSP-5-4	N45		
W372PLP-8-4	N43	W68PLPSP-6-2	N45		
W372PLP-8-6	N43	W68PLPSP-6-4	N45		
W372PLP-8-8	N43	W68PLPSP-6-6	N45		
W372PLP-8M-2	N43	W68PLPSP-8-6	N45		
W372PLP-8M-4	N43	W68PLPSP-8-8	N45		
W372PLP-8M-6	N43	W68PW-4-2	N60		
W379PLP-2-2	N42	W68PW-4-4	N60		
W379PLP-4-2	N42	W68PW-4-6	N60		
W379PLP-4-4	N42	W68PW-5-2	N60		
W379PLP-4-M7	N42	W68PW-5-4	N60		
W379PLP-6-4	N42	W68PW-5-6	N60		
W379PLP-6-6	N42	W68PW-6-2	N60		
W68PLP-2-1	N58	W68PW-6-4	N60		
W68PLP-2-2	N58	W68PW-6-6	N60		
W68PLP-2-4	N58	W68PW-6-8	N60		
W68PLP-3-2	N58	W68PW-8-4	N60		
W68PLP-3-4	N58	W68PW-8-6	N60		
W68PLP-4-1	N58	W68PW-8-8	N60		
W68PLP-4-2	N58	WDV3-G12BL	N2		
W68PLP-4-4	N58	WDV3-G13BL	N2		
W68PLP-4-6	N58	WDV3-G14BL	N2		
W68PLP-5/32-1	N58	WDV3-G22BL	N2		
W68PLP-5/32-2	N58	WDV3-G23BL	N2		
W68PLP-5/32-4	N58	WDV3-G24BL	N2		
W68PLP-5-2	N58	WDV3-G34BL	N2		
W68PLP-5-4	N58	XV500P-4	N20		
W68PLP-5-6	N58	XV500P-6	N20		
W68PLP-6-2	N58	XV500P-8	N20		
W68PLP-6-4	N58	XV500P-12	N20		
W68PLP-6-6	N58	XV500P-16	N20		
W68PLP-6-8	N58	XV502SS-4	N22		
W68PLP-8-4	N58	XV502SS-6	N22		
W68PLP-8-6	N58	XV502SS-8	N22		
W68PLP-8-8	N58	XV502SS-20	N22		
W68PLPR-4-1	N58	XV502SS-24	N22		
W68PLPR-4-2	N58	XV502SS-32	N22		

Part Number Index

Safety Guide

Offer of Sale

Part Number Index, Safety Guide, Offer of Sale



For inventory, lead time, and kit lookup, visit [www.pdnplu.com](http://www.pdnplu.com)

# Safety Guide For Selecting And Using Pneumatic Division Products And Related Accessories

## WARNING:

**FAILURE OR IMPROPER SELECTION OR IMPROPER USE OF PNEUMATIC DIVISION PRODUCTS, ASSEMBLIES OR RELATED ITEMS ("PRODUCTS") CAN CAUSE DEATH, PERSONAL INJURY, AND PROPERTY DAMAGE. POSSIBLE CONSEQUENCES OF FAILURE OR IMPROPER SELECTION OR IMPROPER USE OF THESE PRODUCTS INCLUDE BUT ARE NOT LIMITED TO:**

- Unintended or mistimed cycling or motion of machine members or failure to cycle
- Work pieces or component parts being thrown off at high speeds.
- Failure of a device to function properly for example, failure to clamp or unclamp an associated item or device.
- Explosion
- Suddenly moving or falling objects.
- Release of toxic or otherwise injurious liquids or gasses.

Before selecting or using any of these Products, it is important that you read and follow the instructions below.

## 1. GENERAL INSTRUCTIONS

- 1.1. Scope:** This safety guide is designed to cover general guidelines on the installation, use, and maintenance of Pneumatic Division Valves, FRLs (Filters, Pressure Regulators, and Lubricators), Vacuum products and related accessory components.
- 1.2. Fail-Safe:** Valves, FRLs, Vacuum products and their related components can and do fail without warning for many reasons. Design all systems and equipment in a fail-safe mode, so that failure of associated valves, FRLs or Vacuum products will not endanger persons or property.
- 1.3 Relevant International Standards:** For a good guide to the application of a broad spectrum of pneumatic fluid power devices see: ISO 4414:1998, Pneumatic Fluid Power – General Rules Relating to Systems. See [www.iso.org](http://www.iso.org) for ordering information.
- 1.4. Distribution:** Provide a copy of this safety guide to each person that is responsible for selection, installation, or use of Valves, FRLs or Vacuum products. Do not select, or use Parker valves, FRLs or vacuum products without thoroughly reading and understanding this safety guide as well as the specific Parker publications for the products considered or selected.
- 1.5. User Responsibility:** Due to the wide variety of operating conditions and applications for valves, FRLs, and vacuum products Parker and its distributors do not represent or warrant that any particular valve, FRL or vacuum product is suitable for any specific end use system. This safety guide does not analyze all technical parameters that must be considered in selecting a product. The user, through its own analysis and testing, is solely responsible for:
  - Making the final selection of the appropriate valve, FRL, Vacuum component, or accessory.
  - Assuring that all user's performance, endurance, maintenance, safety, and warning requirements are met and that the application presents no health or safety hazards.
  - Complying with all existing warning labels and / or providing all appropriate health and safety warnings on the equipment on which the valves, FRLs or Vacuum products are used; and,
  - Assuring compliance with all applicable government and industry standards.
- 1.6. Safety Devices:** Safety devices should not be removed, or defeated.
- 1.7. Warning Labels:** Warning labels should not be removed, painted over or otherwise obscured.
- 1.8. Additional Questions:** Call the appropriate Parker technical service department if you have any questions or require any additional information. See the Parker publication for the product being considered or used, or call 1-800-CPARKER, or go to [www.parker.com](http://www.parker.com), for telephone numbers of the appropriate technical service department.

## 2. PRODUCT SELECTION INSTRUCTIONS

- 2.1. Flow Rate:** The flow rate requirements of a system are frequently the primary consideration when designing any pneumatic system. System components need to be able to provide adequate flow and pressure for the desired application.
- 2.2. Pressure Rating:** Never exceed the rated pressure of a product. Consult product labeling, Pneumatic Division catalogs or the instruction sheets supplied for maximum pressure ratings.
- 2.3. Temperature Rating:** Never exceed the temperature rating of a product. Excessive heat can shorten the life expectancy of a product and result in complete product failure.
- 2.4. Environment:** Many environmental conditions can affect the integrity and suitability of a product for a given application. Pneumatic Division products are designed for use in general purpose industrial applications. If these products are to be used in unusual circumstances such as direct sunlight and/or corrosive or caustic environments, such use can shorten the useful life and lead to premature failure of a product.
- 2.5. Lubrication and Compressor Carryover:** Some modern synthetic oils can and will attack nitrile seals. If there is any possibility of synthetic oils or greases migrating into the pneumatic components check for compatibility with the seal materials used. Consult the factory or product literature for materials of construction.
- 2.6. Polycarbonate Bowls and Sight Glasses:** To avoid potential polycarbonate bowl failures:
  - Do not locate polycarbonate bowls or sight glasses in areas where they could be subject to direct sunlight, impact blow, or temperatures outside of the rated range.
  - Do not expose or clean polycarbonate bowls with detergents, chlorinated hydro-carbons, ketones, esters or certain alcohols.
  - Do not use polycarbonate bowls or sight glasses in air systems where compressors are lubricated with fire resistant fluids such as phosphate ester and di-ester lubricants.





**2.7. Chemical Compatibility:** For more information on plastic component chemical compatibility see Pneumatic Division technical bulletins Tec-3, Tec-4, and Tec-5

- 2.8. Product Rupture:** Product rupture can cause death, serious personal injury, and property damage.
- Do not connect pressure regulators or other Pneumatic Division products to bottled gas cylinders.
  - Do not exceed the maximum primary pressure rating of any pressure regulator or any system component.
  - Consult product labeling or product literature for pressure rating limitations.

**3. PRODUCT ASSEMBLY AND INSTALLATION INSTRUCTIONS**

- 3.1. Component Inspection:** Prior to assembly or installation a careful examination of the valves, FRLs or vacuum products must be performed. All components must be checked for correct style, size, and catalog number. DO NOT use any component that displays any signs of nonconformance.
- 3.2. Installation Instructions:** Parker published Installation Instructions must be followed for installation of Parker valves, FRLs and vacuum components. These instructions are provided with every Parker valve or FRL sold, or by calling 1-800-CPARKER, or at [www.parker.com](http://www.parker.com).
- 3.3. Air Supply:** The air supply or control medium supplied to Valves, FRLs and Vacuum components must be moisture-free if ambient temperature can drop below freezing

**4. VALVE AND FRL MAINTENANCE AND REPLACEMENT INSTRUCTIONS**

- 4.1. Maintenance:** Even with proper selection and installation, valve, FRL and vacuum products service life may be significantly reduced without a continuing maintenance program. The severity of the application, risk potential from a component failure, and experience with any known failures in the application or in similar applications should determine the frequency of inspections and the servicing or replacement of Pneumatic Division products so that products are replaced before any failure occurs. A maintenance program must be established and followed by the user and, at minimum, must include instructions 4.2 through 4.9.
- 4.2. Installation and Service Instructions:** Before attempting to service or replace any worn or damaged parts consult the appropriate Service Bulletin for the valve or FRL in question for the appropriate practices to service the unit in question. These Service and Installation Instructions are provided with every Parker valve and FRL sold, or are available by calling 1-800-CPARKER, or by accessing the Parker web site at [www.parker.com](http://www.parker.com).
- 4.3. Lockout / Tagout Procedures:** Be sure to follow all required lockout and tagout procedures when servicing equipment. For more information see: OSHA Standard – 29 CFR, Part 1910.147, Appendix A, The Control of Hazardous Energy – (Lockout / Tagout)
- 4.4. Visual Inspection:** Any of the following conditions requires immediate system shut down and replacement of worn or damaged components:
- Air leakage: Look and listen to see if there are any signs of visual damage to any of the components in the system. Leakage is an indication of worn or damaged components.
  - Damaged or degraded components: Look to see if there are any visible signs of wear or component degradation.
  - Kinked, crushed, or damaged hoses. Kinked hoses can result in restricted air flow and lead to unpredictable system behavior.
  - Any observed improper system or component function: Immediately shut down the system and correct malfunction.
  - Excessive dirt build-up: Dirt and clutter can mask potentially hazardous situations.

**Caution: Leak detection solutions should be rinsed off after use.**

- 4.5. Routine Maintenance Issues:**
- Remove excessive dirt, grime and clutter from work areas.
  - Make sure all required guards and shields are in place.
- 4.6. Functional Test:** Before initiating automatic operation, operate the system manually to make sure all required functions operate properly and safely.
- 4.7. Service or Replacement Intervals:** It is the user's responsibility to establish appropriate service intervals. Valves, FRLs and vacuum products contain components that age, harden, wear, and otherwise deteriorate over time. Environmental conditions can significantly accelerate this process. Valves, FRLs and vacuum components need to be serviced or replaced on routine intervals. Service intervals need to be established based on:
- Previous performance experiences.
  - Government and / or industrial standards.
  - When failures could result in unacceptable down time, equipment damage or personal injury risk.
- 4.8. Servicing or Replacing of any Worn or Damaged Parts:** To avoid unpredictable system behavior that can cause death, personal injury and property damage:
- Follow all government, state and local safety and servicing practices prior to service including but not limited to all OSHA Lockout Tagout procedures (OSHA Standard – 29 CFR, Part 1910.147, Appendix A, The Control of Hazardous Energy – Lockout / Tagout).
  - Disconnect electrical supply (when necessary) before installation, servicing, or conversion.
  - Disconnect air supply and depressurize all air lines connected to system and Pneumatic Division products before installation, service, or conversion.
  - Installation, servicing, and / or conversion of these products must be performed by knowledgeable personnel who understand how pneumatic products are to be applied.
  - After installation, servicing, or conversions air and electrical supplies (when necessary) should be connected and the product tested for proper function and leakage. If audible leakage is present, or if the product does not operate properly, do not put product or system into use.
  - Warnings and specifications on the product should not be covered or painted over. If masking is not possible, contact your local representative for replacement labels.

**4.9. Putting Serviced System Back into Operation:** Follow the guidelines above and all relevant Installation and Maintenance Instructions supplied with the valve FRL or vacuum component to insure proper function of the system.

Part Number  
Index

Safety Guide

Offer of Sale

Part Number Index,  
Safety Guide, Offer of Sale



For inventory, lead time, and kit lookup, visit [www.pdnplu.com](http://www.pdnplu.com)



For inventory, lead times, and kit lookup, visit [www.pdnplu.com](http://www.pdnplu.com)

O22

**Parker Hannifin Corporation**  
Pneumatic Division  
Richland, Michigan  
[www.parker.com/pneumatics](http://www.parker.com/pneumatics)

**PARKER-HANNIFIN CORPORATION**  
**OFFER OF SALE**

1. **Definitions.** As used herein, the following terms have the meanings indicated.

Buyer:	means any customer receiving a Quote for Products from Seller.
Goods:	means any tangible part, system or component to be supplied by the Seller.
Products:	means the Goods, Services and/or Software as described in a Quote provided by the Seller.
Quote:	means the offer or proposal made by Seller to Buyer for the supply of Products.
Seller:	means Parker-Hannifin Corporation, including all divisions and businesses thereof.
Services:	means any services to be supplied by the Seller.
Software:	means any software related to the Products, whether embedded or separately downloaded.
Terms:	means the terms and conditions of this Offer of Sale or any newer version of the same as published by Seller electronically at <a href="http://www.parker.com/saleterms">www.parker.com/saleterms</a> .

2. **Terms.** All sales of Products by Seller are contingent upon, and will be governed by, these Terms and, these Terms are incorporated into any Quote provided by Seller to any Buyer. Buyer's order for any Products whether communicated to Seller verbally, in writing, by electronic data interface or other electronic commerce, shall constitute acceptance of these Terms. Seller objects to any contrary or additional terms or conditions of Buyer. Reference in Seller's order acknowledgement to Buyer's purchase order or purchase order number shall in no way constitute an acceptance of any of Buyer's terms of purchase. No modification to these Terms will be binding on Seller unless agreed to in writing and signed by an authorized representative of Seller.

3. **Price; Payment.** The Products set forth in Seller's Quote are offered for sale at the prices indicated in Seller's Quote. Unless otherwise specifically stated in Seller's Quote, prices are valid for thirty (30) days and do not include any sales, use, or other taxes or duties. Seller reserves the right to modify prices at any time to adjust for any raw material price fluctuations. Unless otherwise specified by Seller, all prices are F.C.A. Seller's facility (INCOTERMS 2010). All sales are contingent upon credit approval and payment for all purchases is due thirty (30) days from the date of invoice (or such date as may be specified in the Quote). Unpaid invoices beyond the specified payment date incur interest at the rate of 1.5% per month or the maximum allowable rate under applicable law.

4. **Shipment; Delivery; Title and Risk of Loss.** All delivery dates are approximate. Seller is not responsible for damages resulting from any delay. Regardless of the manner of shipment, delivery occurs and title and risk of loss or damage pass to Buyer, upon placement of the Products with the shipment carrier at Seller's facility. Unless otherwise agreed, Seller may exercise its judgment in choosing the carrier and means of delivery. No deferment of shipment at Buyer's request beyond the respective indicated shipping date will be made except on terms that will indemnify, defend and hold Seller harmless against all loss and additional expense. Buyer shall be responsible for any additional shipping charges incurred by Seller due to Buyer's acts or omissions.

5. **Warranty.** The warranty related to the Products is as follows: (i) Goods are warranted against defects in material or workmanship for a period of twelve (12) months from the date of delivery or 2,000 hours of use, whichever occurs first; (ii) Services shall be performed in accordance with generally accepted practices and using the degree of care and skill that is ordinarily exercised and customary in the field to which the Services pertain and are warranted for a period of six (6) months from the completion of the Services by Seller; and (iii) Software is only warranted to perform in accordance with applicable specifications provided by Seller to Buyer for ninety (90) days from the date of delivery or, when downloaded by a Buyer or end-user, from the date of the initial download. All prices are based upon the exclusive limited warranty stated above, and upon the following disclaimer:

**DISCLAIMER OF WARRANTY: THIS WARRANTY IS THE SOLE AND ENTIRE WARRANTY PERTAINING TO PRODUCTS. SELLER DISCLAIMS ALL OTHER WARRANTIES, EXPRESS AND IMPLIED, INCLUDING DESIGN, NONINFRINGEMENT, MERCHANTABILITY, AND FITNESS FOR A PARTICULAR PURPOSE. SELLER DOES NOT WARRANT THAT THE SOFTWARE IS ERROR-FREE OR FAULT-TOLERANT, OR THAT BUYER'S USE THEREOF WILL BE SECURE OR UNINTERRUPTED. BUYER AGREES AND ACKNOWLEDGES THAT UNLESS OTHERWISE AUTHORIZED IN WRITING BY SELLER THE SOFTWARE SHALL NOT BE USED IN CONNECTION WITH HAZARDOUS OR HIGH RISK ACTIVITIES OR ENVIRONMENTS. EXCEPT AS EXPRESSLY STATED HEREIN, ALL PRODUCTS ARE PROVIDED "AS IS".**

6. **Claims; Commencement of Actions.** Buyer shall promptly inspect all Products upon receipt. No claims for shortages will be allowed unless reported to the Seller within ten (10) days of delivery. Buyer shall notify Seller of any alleged breach of warranty within thirty (30) days after the date the non-conformance is or should have been discovered by Buyer. Any claim or action against Seller based upon breach of contract or any other theory, including tort, negligence, or otherwise must be commenced within twelve (12) months from the date of the alleged breach or other alleged event, without regard to the date of discovery.

7. **LIMITATION OF LIABILITY.** IN THE EVENT OF A BREACH OF WARRANTY, SELLER WILL, AT ITS OPTION, REPAIR OR REPLACE THE NON-CONFORMING PRODUCT, RE-PERFORM THE SERVICES, OR REFUND THE PURCHASE PRICE PAID WITHIN A REASONABLE PERIOD OF TIME. IN NO EVENT IS SELLER LIABLE FOR ANY SPECIAL, INDIRECT, INCIDENTAL OR CONSEQUENTIAL DAMAGES ARISING OUT OF, OR AS THE RESULT OF, THE SALE, DELIVERY, NON-DELIVERY, SERVICING, NON-COMPLETION OF SERVICES, USE, LOSS OF USE OF, OR INABILITY TO USE THE PRODUCTS OR ANY PART THEREOF, LOSS OF DATA, IDENTITY, PRIVACY, OR CONFIDENTIALITY, OR FOR ANY CHARGES OR EXPENSES OF ANY NATURE INCURRED WITHOUT SELLER'S WRITTEN CONSENT, WHETHER BASED IN CONTRACT, TORT OR OTHER LEGAL THEORY. IN NO EVENT SHALL SELLER'S LIABILITY UNDER ANY CLAIM MADE BY BUYER EXCEED THE PURCHASE PRICE PAID FOR THE PRODUCTS.

8. **Loss to Buyer's Property.** Any designs, tools, patterns, materials, drawings, confidential information or equipment furnished by Buyer or any other items which are or become Buyer's property, will be considered obsolete and may be destroyed by Seller after two (2) consecutive years have elapsed without Buyer ordering the Products manufactured using such property. Seller shall not be responsible for any loss or damage to such property while it is in Seller's possession or control.

9. **Special Tooling.** Special Tooling includes but is not limited to tooling, jigs, fixtures and associated manufacturing equipment acquired or necessary to manufacture Products. A tooling charge may be imposed for any Special Tooling. Such Special Tooling shall be and remain Seller's property notwithstanding payment of any charges by Buyer. In no event will Buyer acquire any interest in Special Tooling belonging to Seller that is utilized in the manufacture of the Products, even if such Special Tooling has been specially converted or adapted for such manufacture and notwithstanding any charges paid by Buyer. Unless otherwise agreed, Seller has the right to alter, discard or otherwise dispose of any Special Tooling or other property in its sole discretion at any time.

10. **Security Interest.** To secure payment of all sums due, Seller retains a security interest in all Products delivered to Buyer and, Buyer's acceptance of these Terms is deemed to be a Security Agreement under the Uniform Commercial Code. Buyer authorizes Seller as its attorney to execute and file on Buyer's behalf all documents Seller deems necessary to perfect its security interest.

11. **User Responsibility.** The Buyer through its own analysis and testing, is solely responsible for making the final selection of the Products and assuring that all performance, endurance, maintenance, safety and warning requirements of the application of the Products are met. The Buyer must analyze all aspects of the application and follow applicable industry standards, specifications, and other technical information provided with the Product. If Seller provides Product options based upon data or specifications provided by the Buyer, the Buyer is responsible for determining that such data and specifications are suitable and sufficient for all applications and reasonably foreseeable uses of the Products. In the event the Buyer is not the end-user, Buyer will ensure such end-user complies with this paragraph.

12. **Use of Products; Indemnity by Buyer.** Buyer shall comply with all instructions, guides and specifications provided by Seller with the Products. **Unauthorized Uses.** If Buyer uses or resells the Products for any uses prohibited in Seller's instructions, guides or specifications, or Buyer otherwise fails to comply with Seller's instructions, guides and specifications, Buyer acknowledges that any such use, resale, or non-compliance is at Buyer's sole risk. Buyer shall indemnify, defend, and hold Seller harmless from any losses, claims, liabilities, damages, lawsuits, judgments and costs (including attorney fees and defense costs), whether for personal injury, property damage, intellectual property infringement or any other claim, brought by or incurred by Buyer, Buyer's employees, or any other person, arising out of: (a) improper selection, application, design, specification or other misuse of Products provided by Seller; (b) any act or omission, negligent or otherwise, of Buyer; (c) Seller's use of patterns, tooling, equipment, plans, drawings, designs or specifications or other information or things furnished by Buyer; (d) damage to the Products from an external cause, repair or attempted repair by anyone other than Seller, failure to follow instructions, guides and specifications provided by Seller, use with goods not provided by Seller, or opening, modifying, deconstructing or tampering with the Products for any reason; or (e) Buyer's failure to comply with these Terms. Seller shall not indemnify Buyer under any circumstance except as otherwise provided in these Terms.

13. **Cancellations and Changes.** Buyer may not cancel or modify any order for any reason, except with Seller's written consent and upon terms that will indemnify, defend and hold Seller harmless against all direct, incidental and consequential loss or damage. Seller, at any time, may change Product features, specifications, designs and availability.

14. **Limitation on Assignment.** Buyer may not assign its rights or obligations without the prior written consent of Seller.

15. **Force Majeure.** Seller does not assume the risk and is not liable for delay or failure to perform any of Seller's obligations by reason of events or circumstances beyond its reasonable control ("Events of Force Majeure"). Events of Force Majeure shall include without limitation: accidents, strikes or labor disputes, acts of any government or government agency, acts of nature, delays or failures in delivery from carriers or suppliers, shortages of materials, or any other cause beyond Seller's reasonable control.

16. **Waiver and Severability.** Failure to enforce any provision of these Terms will not invalidate that provision; nor will any such failure prejudice Seller's right to enforce that provision in the future. Invalidation of any provision of these Terms by legislation or other rule of law shall not invalidate any other provision herein and, the remaining provisions will remain in full force and effect.

17. **Termination.** Seller may terminate any agreement governed by or arising from these Terms for any reason and at any time by giving Buyer thirty (30) days prior written notice. Seller may immediately terminate, in writing, if Buyer: (a) breaches any provision of these Terms (b) appoints a trustee, receiver or custodian for all or any part of Buyer's property (c) files a petition for relief in bankruptcy on its own behalf, or one filed by a third party (d) makes an assignment for the benefit of creditors; or (e) dissolves its business or liquidates all or a majority of its assets.

18. **Ownership of Software.** Seller retains ownership of all Software supplied to Buyer hereunder. In no event shall Buyer obtain any greater right in and to the Software than a right in the nature of a license limited to the use thereof and subject to compliance with any other terms provided with the Software.

19. **Indemnity for Infringement of Intellectual Property Rights.** Seller is not liable for infringement of any patents, trademarks, copyrights, trade dress, trade secrets or similar rights ("Intellectual Property Rights") except as provided in this Section. Seller will defend at its expense and will pay the cost of any settlement or damages awarded in an action brought against Buyer based on a third party claim that one or more of the Products sold hereunder infringes the Intellectual Property Rights of a third party in the country of delivery of the Products by the Seller to the Buyer. Seller's obligation to defend and indemnify Buyer is contingent on Buyer notifying Seller within ten (10) days after Buyer becomes aware of any such claim, and Seller having sole control over the defense of the claim including all negotiations for settlement or compromise. If one or more Products sold hereunder is subject to such a claim, Seller may, at its sole expense and option, procure for Buyer the right to continue using the Products, replace or modify the Products so as to render them non-infringing, or offer to accept return of the Products and refund the purchase price less a reasonable allowance for depreciation. Seller has no obligation or liability for any claim of infringement: (i) arising from information provided by Buyer; or (ii) directed to any Products provided hereunder for which the designs are specified in whole or part by Buyer; or (iii) resulting from the modification, combination or use in a system of any Products provided hereunder. The foregoing provisions of this Section constitute Seller's sole and exclusive liability and Buyer's sole and exclusive remedy for such claims of infringement of Intellectual Property Rights.

20. **Governing Law.** These Terms and the sale and delivery of all Products are deemed to have taken place in, and shall be governed and construed in accordance with, the laws of the State of Ohio, as applicable to contracts executed and wholly performed therein and without regard to conflicts of laws principles. Buyer irrevocably agrees and consents to the exclusive jurisdiction and venue of the courts of Cuyahoga County, Ohio with respect to any dispute, controversy or claim arising out of or relating to the sale and delivery of the Products.

21. **Entire Agreement.** These Terms, along with the terms set forth in the main body of any Quote, forms the entire agreement between the Buyer and Seller and constitutes the final, complete and exclusive expression of the terms of sale. In the event of a conflict between any term set forth in the main body of a Quote and these Terms, the terms set forth in the main body of the Quote shall prevail. All prior or contemporaneous written or oral agreements or negotiations with respect to the subject matter shall have no effect. These Terms may not be modified unless in writing and signed by an authorized representative of Seller.

22. **Compliance with Laws.** Buyer agrees to comply with all applicable laws, regulations, and industry and professional standards, including those of the United States of America, and the country or countries in which Buyer may operate, including without limitation the U.S. Foreign Corrupt Practices Act ("FCPA"), the U.S. Anti-Kickback Act ("Anti-Kickback Act"), U.S. and E.U. export control and sanctions laws ("Export Laws"), the U.S. Food Drug and Cosmetic Act ("FDCA"), and the rules and regulations promulgated by the U.S. Food and Drug Administration ("FDA"), each as currently amended. Buyer agrees to indemnify, defend, and hold harmless Seller from the consequences of any violation of such laws, regulations and standards by Buyer, its employees or agents. Buyer acknowledges that it is familiar with all applicable provisions of the FCPA, the Anti-Kickback Act, Export Laws, the FDCA and the FDA and certifies that Buyer will adhere to the requirements thereof and not take any action that would make Seller violate such requirements. Buyer represents and agrees that Buyer will not make any payment or give anything of value, directly or indirectly, to any governmental official, foreign political party or official thereof, candidate for foreign political office, or commercial entity or person, for any improper purpose, including the purpose of influencing such person to purchase Products or otherwise benefit the business of Seller. Buyer further represents and agrees that it will not receive, use, service, transfer or ship any Product from Seller in a manner or for a purpose that violates Export Laws or would cause Seller to be in violation of Export Laws.



For inventory, lead times, and kit lookup, visit [www.pdnplu.com](http://www.pdnplu.com)

O24

**Parker Hannifin Corporation**  
Pneumatic Division  
Richland, Michigan  
[www.parker.com/pneumatics](http://www.parker.com/pneumatics)

Parker Hannifin Corporation

**Pneumatic Division**

8676 E. M89

P.O. Box 901

Richland, MI 49083 USA

Tel: 269 629 5000

Fax: 269 629 5385

Applications Engineering

Phone: 877 321 4PDN Option #2

E-mail: [pdnapps@parker.com](mailto:pdnapps@parker.com)

Customer Support

Phone: 877 321 4PDN Option #1

E-mail: [pdncustsvc@parker.com](mailto:pdncustsvc@parker.com)

Web site: [www.parker.com/pneumatics](http://www.parker.com/pneumatics)

