



GVI Global Vehicle Inverter

Mobile Inverters for Traction, Electro-Hydraulic Pumps (EHP) and Auxiliary Systems
24 to 650 VDC



ENGINEERING YOUR SUCCESS.



WARNING – USER RESPONSIBILITY

FAILURE OR IMPROPER SELECTION OR IMPROPER USE OF THE PRODUCTS DESCRIBED HEREIN OR RELATED ITEMS CAN CAUSE DEATH, PERSONAL INJURY AND PROPERTY DAMAGE.

- This document and other information from Parker-Hannifin Corporation, its subsidiaries and authorized distributors provide product or system options for further investigation by users having technical expertise.
- The user, through its own analysis and testing, is solely responsible for making the final selection of the system and components and assuring that all performance, endurance, maintenance, safety and warning requirements of the application are met. The user must analyze all aspects of the application, follow applicable industry standards, and follow the information concerning the product in the current product catalog and in any other materials provided from Parker or its subsidiaries or authorized distributors.
- To the extent that Parker or its subsidiaries or authorized distributors provide component or system options based upon data or specifications provided by the user, the user is responsible for determining that such data and specifications are suitable and sufficient for all applications and reasonably foreseeable uses of the components or systems.

Inverters for Traction, Electro-Hydraulic Pumps (EHP) and Auxiliary Systems

Low Voltage Mobile Inverters - GVI



- Overview 5
- Product Details 6
- Technical Data 6
- Dimensions 7
- Order Code..... 8

High Voltage Mobile Inverters - GVI



- Overview 9
- Product Details 10
- Technical Data 10
- Dimensions 11
- Order Code..... 12

Related Products

- Global Vehicle Motor (GVM)..... 13
- Electro-Hydraulic Pumps (EHP)..... 13

Electromechanical & Drives Division

Global products with local manufacturing and support

Global Product Design

Parker Hannifin has more than 40 years' experience in the design and manufacturing of drives, controls, motors and mechanical products. With dedicated global product development teams, Parker draws on industry-leading technological leadership and experience from engineering teams in Europe, North America and Asia.

Local Application Expertise

Parker has local engineering resources committed to adapting and applying our current products and technologies to best fit our customers' needs.

Manufacturing to Meet Our Customers' Needs

Parker is committed to meeting the increasing service demands that our customers require to succeed in the global industrial market. Parker's manufacturing teams seek continuous improvement through the implementation of lean manufacturing methods throughout the process. We measure ourselves on meeting our customers' expectations of quality and delivery, not just our own. In order to meet these expectations, Parker operates and continues to invest in our manufacturing facilities in Europe, North America and Asia.

Manufacturing Locations

Europe

Littlehampton, United Kingdom
Longvic, France
Offenburg, Germany
Milan, Italy
Chomutov, Czech Republik

Asia

Wuxi, China
Jangan, Korea
Chennai, India

North America

Rohnert Park, California
Irwin, Pennsylvania
Charlotte, North Carolina
New Ulm, Minnesota

Manufacturing

Parker electromechanical & drive products are manufactured globally to provide our customers with quality products at a competitive price point. In addition to factory- direct support, Parker provides sales assistance and local technical support through a group of dedicated sales teams and a network of authorized systems integrators, field service engineers, and technical distributors across the globe. For contact information, please refer to the Sales Offices listed on the back cover of this document or visit www.parker.com



Charlotte, US



Chennai, India



Wuxi, China



Offenburg, Germany



Longvic, France

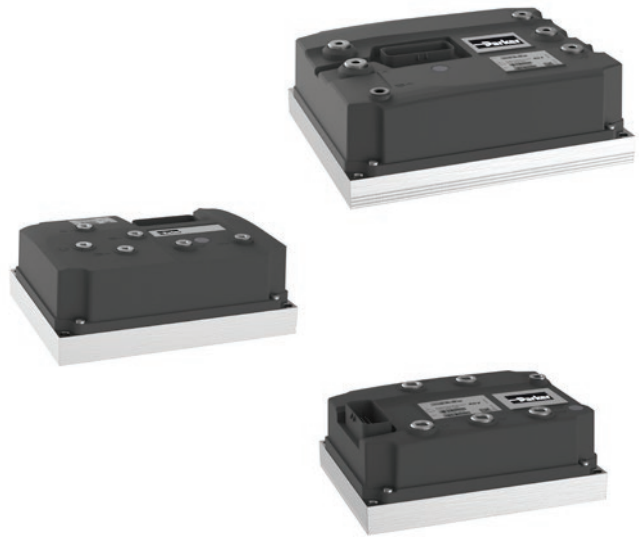


Milan, Italy

Low Voltage Mobile Inverters - GVI

Overview

The Low Voltage Parker GVI series represents the latest design standards for compact and reliable inverters for mobile applications. Providing a motor control solution for low voltage battery systems between 24 and 80VDC, GVI motor controllers offer OEMs a superb combination of power, performance and functionality. The compact dimensions and high efficiency of GVI controllers make integration into very limited spaces a reality without sacrificing output performance. Partnered with the Parker GVM range of highly efficient PMAC mobile motors, the GVI range aims to provide the lowest possible installed cost, whilst still maintaining superior reliability even in the most demanding of applications.



Product Features

- Auto-tuning
- High efficiency cold plate design
- IP65 protection class
- Motor temperature sensor input
- Sin/Cos encoder feedback
- CAN J1939 or CAN Open communication
- Parker IQAN compatible
- Configurable coil drive digital outputs
- 2 Analog inputs / 9 Digital inputs / 6 Digital Outputs

Applications

- Utility vehicles
- Handling equipment, handling gantries
- Refuse Truck
- Turf care
- Street sweepers
- Compressors
- Other hydraulic pump control

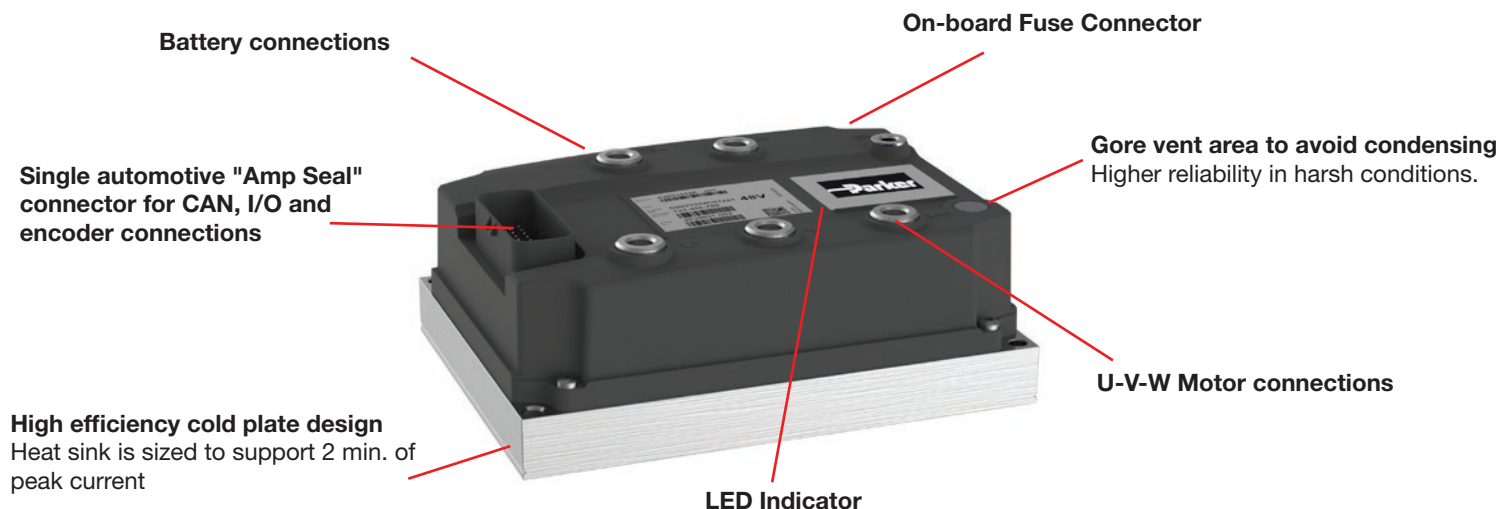
Technical characteristics - overview

Model	GVI
Motor type	Permanent magnet AC
Nominal voltage	24 / 48 / 80 Vdc
Peak current	700 Arms
Peak power	68 kVA
Switching frequency	4, 8, 12, 16 kHz
Operating temperature range	-40°C to +55°C
Storage temperature range	-40°C to +70°C
Protection	IP65
Control type	Speed or Torque control
Feedback	Sin/Cos encoder
Communications	CAN J1939, CAN Open
Cooling	Cold plate
Conformance	IEC60068, EN61000-4, EN1175-1, IEC60529, EN55022
Output frequency	0 - 599 Hz ¹⁾

¹⁾ For output frequencies > 599 Hz please contact Parker

Product Details

Thanks to an IP65 protection class, the drive can be direct vehicle mounted without an enclosure.
(no direct high pressure spray)



Technical Data

Product Code	Frame Size	Output Current [Arms] S2, 2 min ⁽¹⁾	Output Current [Arms] S2, 1 h ⁽²⁾	Nominal input voltage [Vdc]	Operating range [Vdc]	Weight [Kg] (lbs)
GVI-C024-0350S1-S00-G0000	C	350	150	24	16-32	1.8 (4)
GVI-C048-0280S1-S00-G0000	C	280	120	48	33-63	1.8 (4)
GVI-D024-0550S1-S00-G0000	D	550	275	24	16-32	2.9 (6.4)
GVI-D048-0450S1-S00-G0000	D	450	225	48	33-63	2.9 (6.4)
GVI-D048-0550S1-S00-G0000	D	550	275	48	33-63	2.9 (6.4)
GVI-D080-0230S1-S00-G0000	D	230	115	80	50-104	2.9 (6.4)
GVI-D080-0350S1-S00-G0000	D	350	175	80	50-104	2.9 (6.4)
GVI-D080-0400S1-S00-G0000	D	400	200	80	50-104	2.9 (6.4)
GVI-E048-0700S1-S00-G0000	E	700	350	48	33-63	4.8 (10.6)
GVI-E080-0500S1-S00-G0000	E	500	250	80	50-104	4.8 (10.6)
GVI-E080-0700S1-S00-G0000	E	700	350	80	50-104	4.8 (10.6)

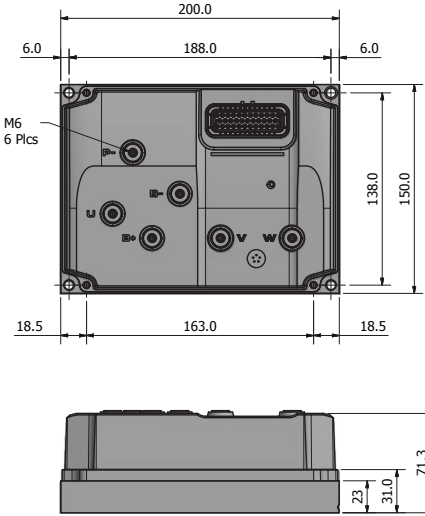
Notes: All current ratings are rms values per motor phase.

(1) 2 minute rating at 8kHz switching frequency and 25°C ambient temperature

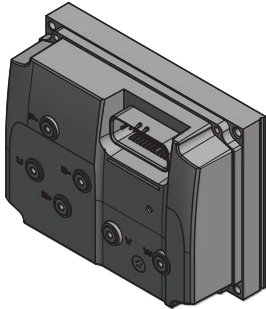
(2) 1 hr rating at 8kHz switching frequency and 40°C ambient temperature

Dimensions

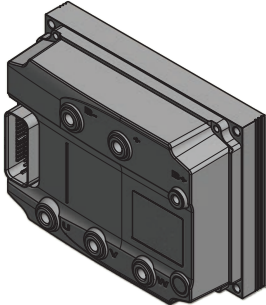
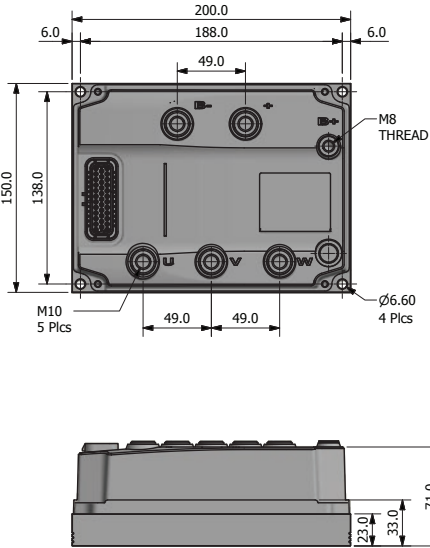
Frame C



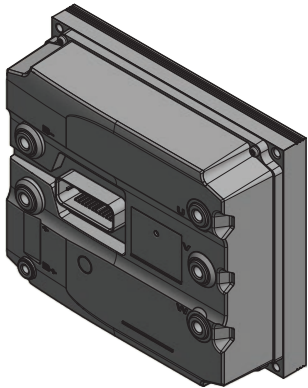
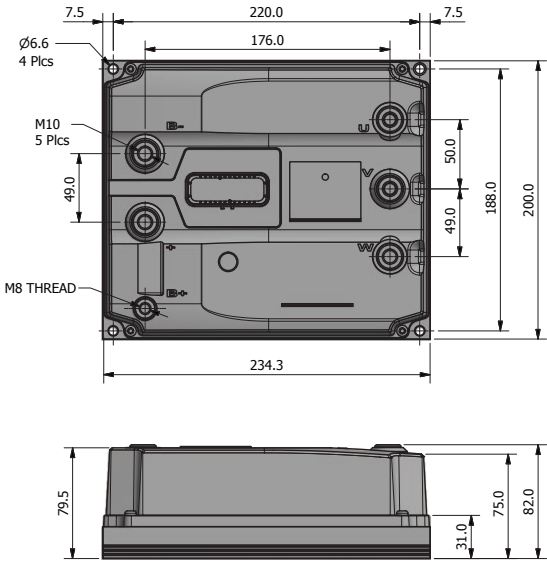
Dimensions [mm]



Frame D



Frame E



Order Code

	1		2	3		4	5	6		7	8		9
Order example	GVI	-	C	024	-	0350	S	1	-	S	00	-	G0000

1	Inverter family	
	GVI	Global Vehicle Inverter
2	Frame size	
	C	Frame size C
	D	Frame size D
	E	Frame size E
3	Nominal DC Supply	
	024	24 VDC
	048	48 VDC
	080	80 VDC
4	Current Rating	
	24 VDC Nominal Voltage	
	0350	350 A - Frame C
	0550	550 A - Frame C
	48 VDC Nominal Voltage	
	0280	280 A - Frame C
	0450	450 A - Frame D
	0550	550 A - Frame D
	0700	700 A - Frame E
	80 VDC Nominal Voltage	
	0230	230 A - Frame D
	0350	350 A - Frame D
	0400	400 A - Frame D
	0500	500 A - Frame E
	0700	700 A - Frame E
5	Package	
	S	Single
6	Series	
	1	Series 1
7	Feedback Type	
	S	Sin/Cos encoder
8	Reserved	
	00	
9	Special Option	
	G0000	Global specification
	N0000	North America specification
	E0000	European specification

High Voltage Mobile Inverters - GVI

Overview

Description

Providing a motor control solution for battery systems up to 650 V, high voltage GVI controllers offer OEMs high reliability and minimized total lifetime cost. The rugged IP6K9K design is perfect for the harsh environments of mobile equipment, while the integrated DC filter and wide operating voltage range allow maximum flexibility in system design.

Partnered with the Parker GVM range of highly efficient PMAC mobile motors, the GVI range aims to provide the lowest possible installed cost, highest efficiency while still maintaining superior reliability even in the most demanding of applications.



Product Features

- Auto-tuning
- Liquid cooled design
- IP6K9K protection class
- Motor temperature input
- Resolver feedback
- CAN J1939 or CAN Open communication
- Parker IQAN compatible
- 4 Digital inputs*
- Full current available at 100-750 VDC
- Safe Torque Off and HVIL

Applications

- Utility vehicles
- Handling equipment, handling gantries
- Refuse Truck
- City van
- Bus and Coach
- Turf care
- Street sweepers
- Agricultural implements
- Other hydraulic pump control

*Standard firmware reserves 2 Digital inputs for CAN address ID

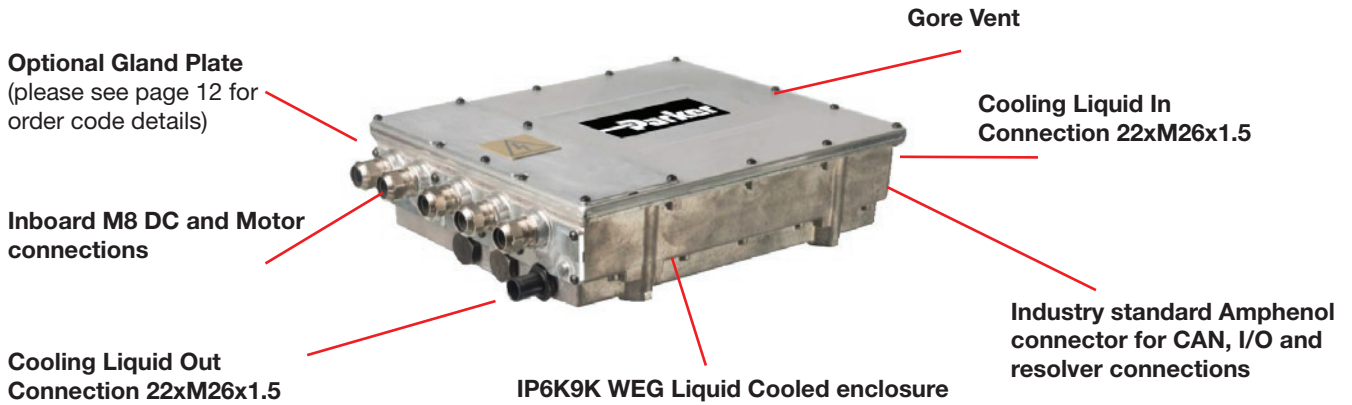
Technical characteristics - Overview

Model	GVI
Motor type	Permanent magnet AC
Nominal voltage	650 Vdc
Peak current	500 Arms
Peak power	300 kVA
Switching frequency	1, 2, 4, 6 kHz
Operating temperature range	-40°C to +85°C
Storage temperature range	-40°C to +85°C
Protection	IP6K9K
Control type	Speed or Torque control
Feedback	Resolver
Communications	CAN J1939, CAN Open
Cooling	WEG liquid cooled
Conformance	ISO20653:2006, ISO16750-4, ISO16750-3 EN60068-2, CISPR25 Ed.4 Class 3, ISO11452-4, ISO11452-8, ISO7637-2
Output frequency	0 - 599 Hz ¹⁾

¹⁾ For output frequencies > 599Hz please contact Parker

Product Details

Rugged IP6K9K design suitable for the demanding environment of electric vehicles



Technical Data

Product Code	Frame Size	Output Current [Arms] S2, 10 s ⁽¹⁾	Output Current [Arms] S2, 1 h ⁽²⁾	Nominal input voltage [Vdc]	Operating range [Vdc]	Weight [Kg] (lbs)
GVI-G650-0300S1-R00-G0000	G	300	225	650	100-750	21 (46.3)
GVI-H650-0500S1-R00-G0000	H	500	375	650	100-750	25 (55.1)

Notes: All current ratings are rms values per motor phase.

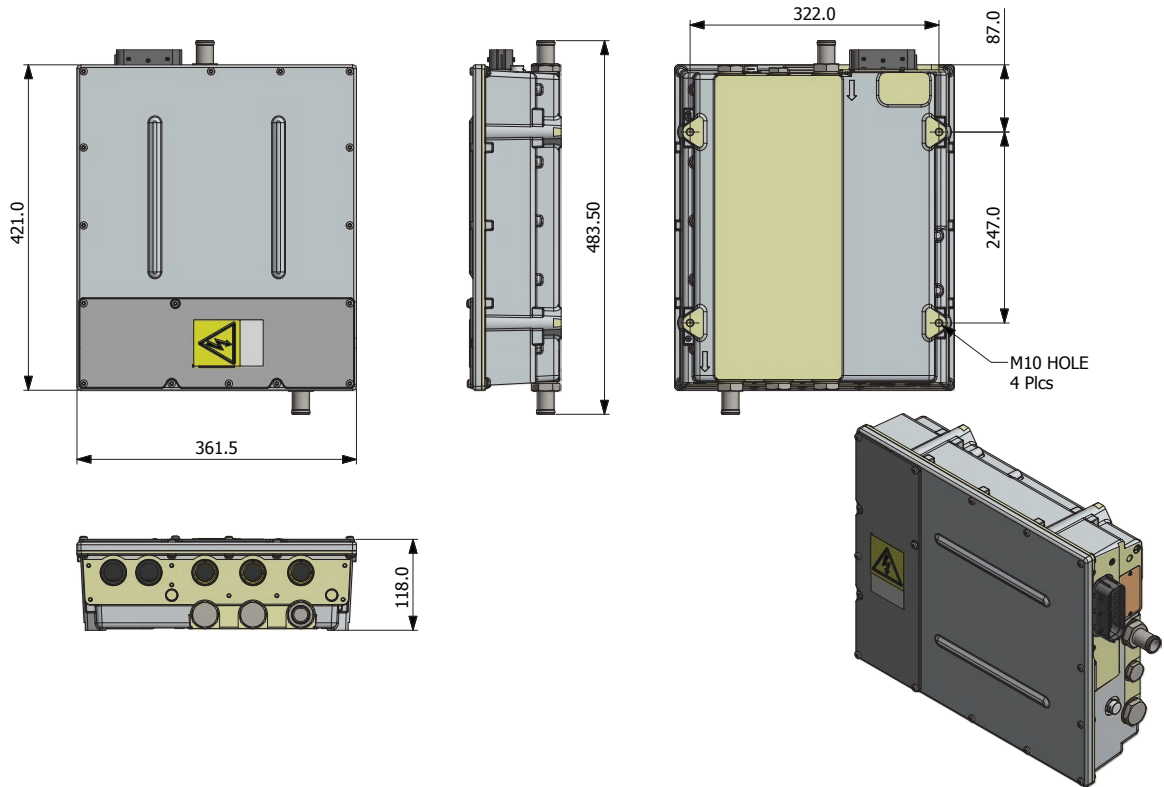
(1) 10 second rating at 4kHz switching frequency and 25°C

(2) 1 hr rating at 4kHz switching frequency and 60°C coolant temperature, 85°C ambient and 18l/min flow

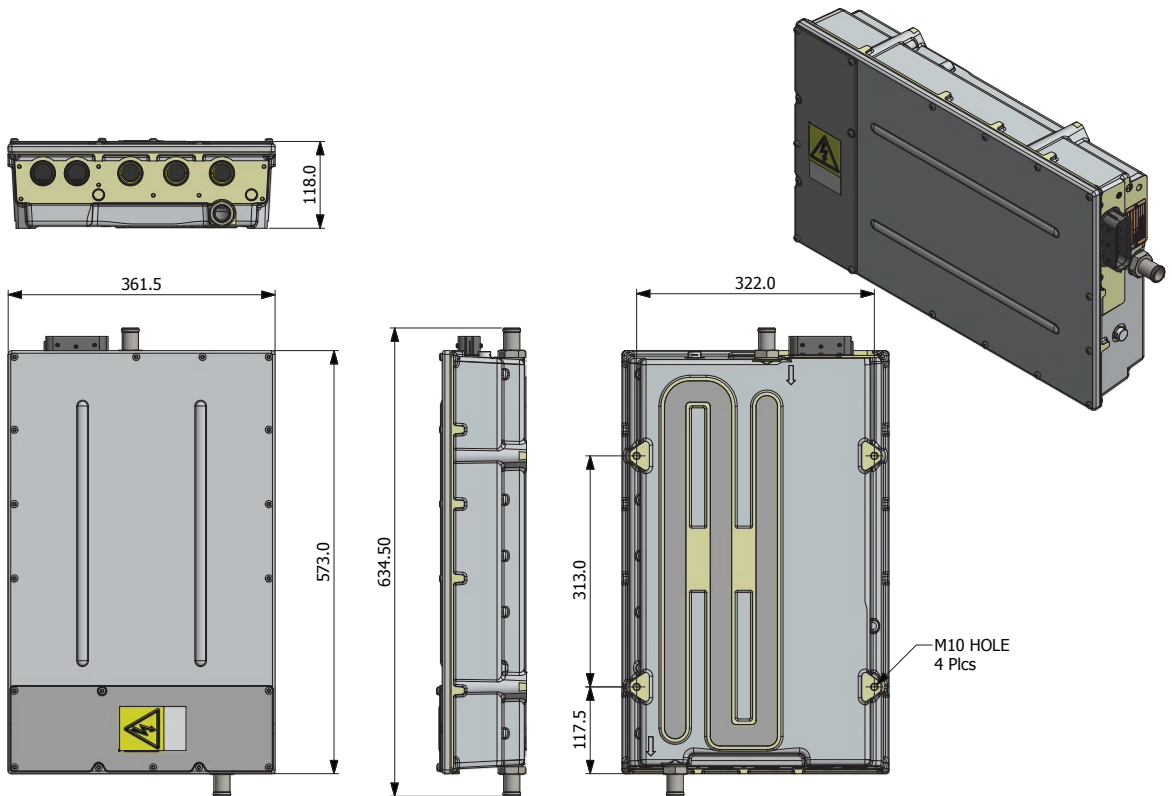
Minimum Coolant Flows: @Coolant temp <0°C >5 l/min
 @Coolant temp 0-50°C >10-15 l/min
 @Coolant temp >50°C >15-20 l/min

Dimensions

Frame G



Frame H



Order Code

	1		2	3		4	5	6		7	8		9
Order example	GVI	-	H	650	-	0500	S	1	-	R	00	-	G0000

1	Drive Family	
	GVI	Global Vehicle Inverter
2	Frame size	
	G	Frame size G
	H	Frame size H
3	Nominal DC Supply	
	650	650 VDC
4	Current Rating	
	650 VDC Nominal Voltage	
	0300	300 A - Frame G
	0500	500 A - Frame H
5	Package	
	S	Single
6	Series	
	1	Series 1
7	Feedback type	
	R	Resolver
8	Reserved	
	00	
9	Special Option	
	G0000	Global Specification
	N0000	North American Specification
	E0000	European Specification

Order Code	Description
GVI-GH-ADAPTORKIT	Power Connection Gland Plate Adaptor Kit (Frames G-H Only)

Related Products

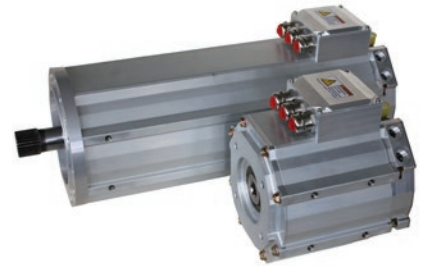
Global Vehicle Motor (GVM)

Description

PMAC servomotors offer the best solution to meet the requirements of vehicle duty performance. The torque density and speed capabilities of Parker Permanent Magnet AC motors (PMAC) provide the speed and torque required to achieve breakthrough performance in a variety of vehicle platforms.

Product Features

- High efficiency
- Compactness (High power density)
- Can be used either as motor or generator
- Operating voltages available from 24 to 800 VDC



Electro-Hydraulic Pumps (EHP)

Description

The Electro-Hydraulic Pump (EHP) kits are designed for hybrid electric and all electric mobile applications. EHP systems consist of an electric motor directly coupled to an hydraulic pump controlled by a high performance mobile hardened inverter.

Parker's global expertise in hydraulic, electric motor, and drive technologies is brought together in the EHP to create a system that has been optimally adapted to the customer requirements.

Product Features

- Complete Electro-Hydraulic Pump solutions
- Pre engineered system with fully validated pressure, flow and voltage data
- Wide range of motor/pump combinations to adapt to every battery pack





Parker's Motion & Control Technologies

At Parker, we're guided by a relentless drive to help our customers become more productive and achieve higher levels of profitability by engineering the best systems for their requirements. It means looking at customer applications from many angles to find new ways to create value. Whatever the motion and control technology need, Parker has the experience, breadth of product and global reach to consistently deliver. No company knows more about motion and control technology than Parker. For further info call 00800 27 27 5374



Aerospace Key Markets

Aftermarket services
Commercial transports
Engines
General & business aviation
Helicopters
Launch vehicles
Military aircraft
Missiles
Power generation
Regional transports
Unmanned aerial vehicles

Key Products

Control systems & actuation products
Engine systems & components
Fluid conveyance systems & components
Fluid metering, delivery & atomization devices
Fuel systems & components
Fuel tank inerting systems
Hydraulic systems & components
Thermal management
Wheels & brakes



Climate Control Key Markets

Agriculture
Air conditioning
Construction Machinery
Food & beverage
Industrial machinery
Life sciences
Oil & gas
Precision cooling
Process
Refrigeration
Transportation

Key Products

Accumulators
Advanced actuators
CO₂ controls
Electronic controllers
Filter driers
Hand shut-off valves
Heat exchangers
Hose & fittings
Pressure regulating valves
Refrigerant distributors
Safety relief valves
Smart pumps
Solenoid valves
Thermostatic expansion valves



Electromechanical Key Markets

Aerospace
Factory automation
Life science & medical
Machine tools
Packaging machinery
Paper machinery
Plastics machinery & converting
Primary metals
Semiconductor & electronics
Textile
Wire & cable

Key Products

AC/DC drives & systems
Electric actuators, gantry robots & slides
Electrohydraulic actuation systems
Electromechanical actuation systems
Human machine interface
Linear motors
Stepper motors, servo motors, drives & controls
Structural extrusions



Filtration Key Markets

Aerospace
Food & beverage
Industrial plant & equipment
Life sciences
Marine
Mobile equipment
Oil & gas
Power generation & renewable energy
Process
Transportation
Water Purification

Key Products

Analytical gas generators
Compressed air filters & dryers
Engine air, coolant, fuel & oil filtration systems
Fluid condition monitoring systems
Hydraulic & lubrication filters
Hydrogen, nitrogen & zero air generators
Instrumentation filters
Membrane & fiber filters
Microfiltration
Sterile air filtration
Water desalination & purification filters & systems



Fluid & Gas Handling

Key Markets

Aerial lift
Agriculture
Bulk chemical handling
Construction machinery
Food & beverage
Fuel & gas delivery
Industrial machinery
Life sciences
Marine
Mining
Mobile
Oil & gas
Renewable energy
Transportation

Key Products

Check valves
Connectors for low pressure fluid conveyance
Deep sea umbilicals
Diagnostic equipment
Hose couplings
Industrial hose
Mooring systems & power cables
PTFE hose & tubing
Quick couplings
Rubber & thermoplastic hose
Tube fittings & adapters
Tubing & plastic fittings



Hydraulics

Key Markets

Aerial lift
Agriculture
Alternative energy
Construction machinery
Forestry
Industrial machinery
Machine tools
Marine
Material handling
Mining
Oil & gas
Power generation
Refuse vehicles
Renewable energy
Truck hydraulics
Turf equipment

Key Products

Accumulators
Cartridge valves
Electrohydraulic actuators
Human machine interfaces
Hybrid drives
Hydraulic cylinders
Hydraulic motors & pumps
Hydraulic systems
Hydraulic valves & controls
Hydrostatic steering
Integrated hydraulic circuits
Power take-offs
Power units
Rotary actuators
Sensors



Pneumatics

Key Markets

Aerospace
Conveyor & material handling
Factory automation
Life science & medical
Machine tools
Packaging machinery
Transportation & automotive

Key Products

Air preparation
Brass fittings & valves
Manifolds
Pneumatic accessories
Pneumatic actuators & grippers
Pneumatic valves & controls
Quick disconnects
Rotary actuators
Rubber & thermoplastic hose & couplings
Structural extrusions
Thermoplastic tubing & fittings
Vacuum generators, cups & sensors



Process Control

Key Markets

Alternative fuels
Biopharmaceuticals
Chemical & refining
Food & beverage
Marine & shipbuilding
Medical & dental
Microelectronics
Nuclear Power
Offshore oil exploration
Oil & gas
Pharmaceuticals
Power generation
Pulp & paper
Steel
Water/wastewater

Key Products

Analytical Instruments
Analytical sample conditioning products & systems
Chemical injection fittings & valves
Fluoropolymer chemical delivery fittings, valves & pumps
High purity gas delivery fittings, valves, regulators & digital flow controllers
Industrial mass flow meters/ controllers
Permanent no-weld tube fittings
Precision industrial regulators & flow controllers
Process control double block & bleeds
Process control fittings, valves, regulators & manifold valves



Sealing & Shielding

Key Markets

Aerospace
Chemical processing
Consumer
Fluid power
General industrial
Information technology
Life sciences
Microelectronics
Military
Oil & gas
Power generation
Renewable energy
Telecommunications
Transportation

Key Products

Dynamic seals
Elastomeric o-rings
Electro-medical instrument design & assembly
EMI shielding
Extruded & precision-cut, fabricated elastomeric seals
High temperature metal seals
Homogeneous & inserted elastomeric shapes
Medical device fabrication & assembly
Metal & plastic retained composite seals
Shielded optical windows
Silicone tubing & extrusions
Thermal management
Vibration dampening

Parker Worldwide

Europe, Middle East, Africa

AE – United Arab Emirates, Dubai

Tel: +971 4 8127100
parker.me@parker.com

AT – Austria, St. Florian

Tel: +43 (0)7224 66201
parker.austria@parker.com

AZ – Azerbaijan, Baku

Tel: +994 50 2233 458
parker.azerbaijan@parker.com

BE/NL/LU – Benelux,

Hendrik Ido Ambacht
Tel: +31 (0)541 585 000
parker.nl@parker.com

BG – Bulgaria, Sofia

Tel: +359 2 980 1344
parker.bulgaria@parker.com

BY – Belarus, Minsk

Tel: +48 (0)22 573 24 00
parker.poland@parker.com

CH – Switzerland, Etoy

Tel: +41 (0)21 821 87 00
parker.switzerland@parker.com

CZ – Czech Republic, Klecany

Tel: +420 284 083 111
parker.czechrepublic@parker.com

DE – Germany, Kaarst

Tel: +49 (0)2131 4016 0
parker.germany@parker.com

DK – Denmark, Ballerup

Tel: +45 43 56 04 00
parker.denmark@parker.com

ES – Spain, Madrid

Tel: +34 902 330 001
parker.spain@parker.com

FI – Finland, Vantaa

Tel: +358 (0)20 753 2500
parker.finland@parker.com

FR – France, Contamine s/Arve

Tel: +33 (0)4 50 25 80 25
parker.france@parker.com

GR – Greece, Piraeus

Tel: +30 210 933 6450
parker.greece@parker.com

HU – Hungary, Budaörs

Tel: +36 23 885 470
parker.hungary@parker.com

IE – Ireland, Dublin

Tel: +353 (0)1 466 6370
parker.ireland@parker.com

IL – Israel

Tel: +39 02 45 19 21
parker.israel@parker.com

IT – Italy, Corsico (MI)

Tel: +39 02 45 19 21
parker.italy@parker.com

KZ – Kazakhstan, Almaty

Tel: +7 7273 561 000
parker.easteurope@parker.com

NO – Norway, Asker

Tel: +47 66 75 34 00
parker.norway@parker.com

PL – Poland, Warsaw

Tel: +48 (0)22 573 24 00
parker.poland@parker.com

PT – Portugal

Tel: +351 22 999 7360
parker.portugal@parker.com

RO – Romania, Bucharest

Tel: +40 21 252 1382
parker.romania@parker.com

RU – Russia, Moscow

Tel: +7 495 645-2156
parker.russia@parker.com

SE – Sweden, Borås

Tel: +46 (0)8 59 79 50 00
parker.sweden@parker.com

SK – Slovakia, Banská Bystrica

Tel: +421 484 162 252
parker.slovakia@parker.com

SL – Slovenia, Novo Mesto

Tel: +386 7 337 6650
parker.slovenia@parker.com

TR – Turkey, Istanbul

Tel: +90 216 4997081
parker.turkey@parker.com

UA – Ukraine, Kiev

Tel: +48 (0)22 573 24 00
parker.poland@parker.com

UK – United Kingdom, Warwick

Tel: +44 (0)1926 317 878
parker.uk@parker.com

ZA – South Africa, Kempton Park

Tel: +27 (0)11 961 0700
parker.southafrica@parker.com

North America

CA – Canada, Milton, Ontario

Tel: +1 905 693 3000

US – USA, Cleveland

Tel: +1 216 896 3000

Asia Pacific

AU – Australia, Castle Hill

Tel: +61 (0)2-9634 7777

CN – China, Shanghai

Tel: +86 21 2899 5000

HK – Hong Kong

Tel: +852 2428 8008

IN – India, Mumbai

Tel: +91 22 6513 7081-85

JP – Japan, Tokyo

Tel: +81 (0)3 6408 3901

KR – South Korea, Seoul

Tel: +82 2 559 0400

MY – Malaysia, Shah Alam

Tel: +60 3 7849 0800

NZ – New Zealand, Mt Wellington

Tel: +64 9 574 1744

SG – Singapore

Tel: +65 6887 6300

TH – Thailand, Bangkok

Tel: +662 186 7000

TW – Taiwan, Taipei

Tel: +886 2 2298 8987

South America

AR – Argentina, Buenos Aires

Tel: +54 3327 44 4129

BR – Brazil, Sao Jose dos Campos

Tel: +55 800 727 5374

CL – Chile, Santiago

Tel: +56 2 623 1216

MX – Mexico, Toluca

Tel: +52 72 2275 4200

EMEA Product Information Centre

Free phone: 00 800 27 27 5374

(from AT, BE, CH, CZ, DE, DK, EE, ES, FI, FR, IE, IL, IS, IT, LU, MT, NL, NO, PL, PT, RU, SE, SK, UK, ZA)

US Product Information Centre

Toll-free number: 1-800-27 27 537

www.parker.com

