

Table of Contents

General Information	2-5	Cam and Groove Fittings (continued)	29-45
Crimp Fittings	3	Tank Car	
Cam and Groove General Information	4-5	Adapters.....	32
Adapters	6-8	Railroad Connections.....	32-33
Type A Dixon / Boss-Lock.....	6	Elbows	
Type E Dixon / Boss-Lock	7	45°	33
Type F Dixon / Boss-Lock	8	90°	33
Plugs	9	Type A, D, E, C, F, B	34-35
Couplers	10-18	Reducing Couplings	
Type C Dixon.....	10	Type A, D, E, C, F, B	35-36
Type C Boss-Lock	11	Coupler x Adapter	37
Type C EZ Boss-Lock.....	12	Boss-Lock	38
Type D Dixon.....	13	EZ Boss-Lock.....	38
Type D Boss-Lock	14	Lockable Dust Caps	38
Type D EZ Boss-Lock.....	15	Dixon Spool	
Type B Dixon.....	16	Adapters.....	39
Type B Boss-Lock	17	Couplers.....	39
Type B EZ Boss-Lock.....	18	Boss-Lock Spool Couplers.....	39
Dust Caps	19-21	Adapters and Couplers x 150# Flange.....	40
Type DC Dixon	19	Inline Sight Glass	40
Type DC Boss-Lock.....	20	Specialty Items.....	41
Type DC EZ Boss-Lock.....	21	TTMA Flange Adapters.....	41
Global Cam and Groove	22-25	TTMA Flange Extensions	42
Adapters		Adapter/Coupler x Round Tank Truck Flange	42
Type A, E, F.....	22	22½° Adapter/Coupler x Round Tank Truck Flange	42
Dust Plugs	23	Round Tank Truck Flange Gaskets	42
Couplers		Dixon Vapor Recovery Couplers	43
Type B, C, D.....	23	Cam and Groove Welding	
Dust Caps.....	24	Adapters.....	44
Handle Assemblies.....	24	Couplers.....	44-45
Spool Couplers		Accessories	46-48
Type DD, AA.....	25	Handle Assemblies.....	46-47
Jump Size.....	25	Pull Rings	47
Polypropylene	26-28	Clips and Lanyards.....	47-48
Adapters	26	Chains	48
Couplers	27	Hand Swager with Cutter	48
Replacement Parts.....	28	Gaskets	49-51
Cam and Groove Fittings	29-45	Cam and Groove	49
Swaged	29	Fuel	49
Notched		PTFE	50
Ferrules	29	Dimensions	51
Couplers.....	30	Color Codes	51
Adapters.....	30		
Notched NOS			
Ferrules.....	31		
Couplers.....	31		
Adapters.....	31		

Crimp Fittings



Only use the crimp style shanks with the crimp style sleeves and ferrules.

Due to differences in dimensions and tolerances for safety reasons, do not interchange other manufacturer's products with Dixon products.



Features:

- sleeves and ferrules have a 50% larger range than the 'CF' series ferrules
- The crimp range is stamped directly on the sleeves and ferrules to allow for easier and proper assembly.
- all shanks have a machined finish

Cam and Groove

Sizes:

- 1"
- 1½"
- 2"
- 3"
- 4"
- 6"

Materials:

- aluminum
- brass
- stainless steel



Styles offered:

- Dixon type C couplers
- EZ Boss-Lock type C couplers
- Dixon type E adapters
- global type C couplers
- global type E adapters

Sleeves and Ferrules

Sizes: Ranges:

- | | |
|-------|------------------------|
| • 1" | • 1-12/64" to 1-47/64" |
| • 1½" | • 1-40/64" to 2-17/64" |
| • 2" | • 2-16/64" to 3-5/64" |
| • 3" | • 3-15/64" to 4-4/64" |
| • 4" | • 4-15/64" to 5-4/64" |
| • 6" | • 6-17/64" to 7-12/64" |

Materials:

- carbon steel
- 304 stainless steel
- aluminum (sleeves)

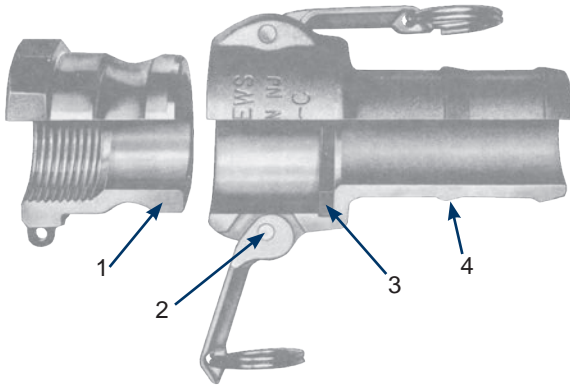


Styles offered:

- sleeve
- ferrule

Please contact Dixon at 800.355.1991 for specific crimp recommendations.

Dixon



1. Precision machined to rigid tolerances.
2. Durable stainless steel cam arm pins will not rust or bind, for greater strength and safety.
3. Recess holds gasket firmly in place - ensures proper placement.
4. Long shank design allows proper banding, thus eliminating the major cause of hose damage.

Operation of Cam and Groove

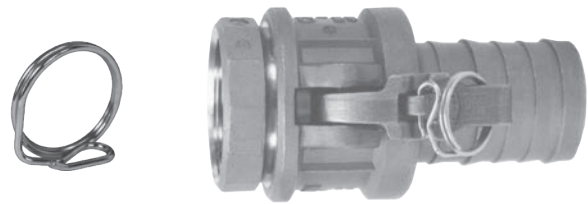
1. To make connection, simply slide the adapter into the coupler and with normal hand pressure, press the cam levers down.
2. Uncoupling is as quick and simple as coupling. Just lift the cam arms and remove the adapter.

Boss-Lock



Boss-Lock cam and groove provides a *unique patented safety feature*. The cast-in lugs allow safety clips to be attached once the lugs are passed through slots in the special cam lever arms. These clips prevent the coupler from being unlocked until they are removed, providing a *positive locking action*.

Pull Ring Safety Clips



Dixon has developed the pull ring safety clip to simplify the locking action on Boss-Lock couplers. No more inserting clips or dangling lanyards, just a twist and it's locked, giving you a low profile *positive locking action*.

Buy with Confidence

Boss-Lock investment stainless steel cam arms are *guaranteed!* Should you *ever* break a Boss-Lock investment stainless steel cam arm, simply return it to the nearest warehouse for a *free* replacement.

Ordering System



Size represents the coupler or adapter and hose or pipe end. (i.e. 200 = 2") If the coupling is a reducing size, the coupler or adapter is the first size. (i.e. 4030-C is 4" coupler to 3" hose shank).

Specifications on Dixon Cam and Groove

Specifications:

- Dixon, Boss-Lock and EZ Boss-Lock cam and groove couplers and adapters are produced to interchange with all product produced to Commercial Item Description A-A-59326B.
- No standard exists for the 1/2" and 8" fittings, and generally these sizes do not interchange with other manufacturers.
- Dust caps and dust plugs are **not** to be used in pressure applications for safety and environmental reasons.
- *Designed for use with liquids*, consult Dixon for specific recommendations.

Pressure Ratings:

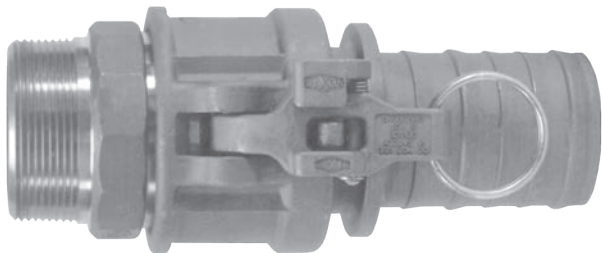
Recommendations based on the use of mating Dixon fittings at ambient temperature (70°F) with standard Buna-N Seal installed. For use at elevated temperature or other unusual operating conditions, consult the factory. Dixon, Boss-Lock and EZ Boss-Lock couplers and adapters maximum working pressure are as follows:

**SAFETY
ALERT**

Size	1/2"	3/4" thru 2"	2 1/2"	3"	4"	5" and 6"	8"
PSI	150	250	150	125	100	75	50

EZ Boss-Lock

No more fumbling with clamps, wire, clips or pins.
Just close the handles and the locking *mechanism is engaged*.

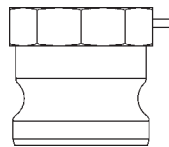


Unlike other safety couplings . . .

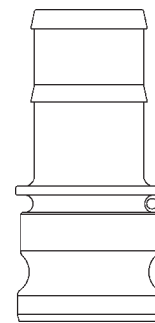
- *The EZ Boss-Lock is extremely easy to open!!!*
The release lever is under your thumb when you want to open the fitting. Ergonomic.
- *The EZ Boss-Lock is resistant to accidental disconnection when being dragged.* The release lever opens in the direction opposite to the cam arm, so movements that tend to open the release lever also tend to close the cam arm!!!
- *The EZ Boss-Lock alerts you if it is not properly engaged.* If the rotating lever is not flush with the handle, it is not properly engaged.
- *The EZ Boss-Lock has no sliding pins to jam.*
The EZ Boss-Lock's rotating action helps keep the locking device free of debris.
- *The EZ Boss-Lock has no sliding pins to pop open.*
The EZ Boss-Lock is designed to protect critical parts from impact and to withstand rugged use.
- *The EZ Boss-Lock can be supplied with special shanks custom suited to your needs.* The EZ Boss-Lock is available with swaged and PF shank designs for hard to couple chemical hoses.
- *The EZ Boss-Lock cam arm assemblies are made of investment cast stainless steel with plated carbon steel pull rings.*
- *The EZ Boss-Lock is easier to insert into the hose tubes on tank trucks, and easier to use in restricted spaces.*
This is due to the smaller maximum OD and a more snag free exterior.
- *The EZ Boss-Lock cam arm assemblies can be retrofitted onto undamaged stainless steel Boss-Lock.* This allows you to protect your investment in stainless steel Boss-Lock couplings while you upgrade.
- *The EZ Boss-Lock is made in the USA.*

Cam and Groove Line Drawings

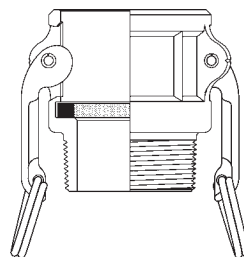
Line drawings are representative of the Dixon line of cam and groove.



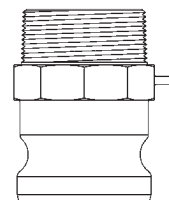
Type A
male adapter x female NPT



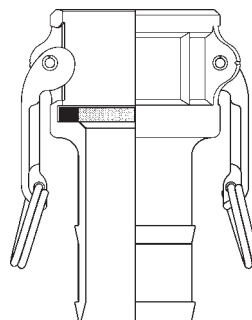
Type E
male adapter x hose shank



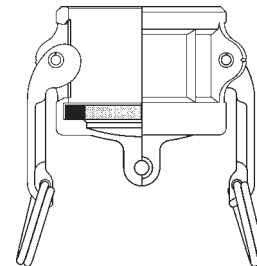
Type B
female coupler x male NPT



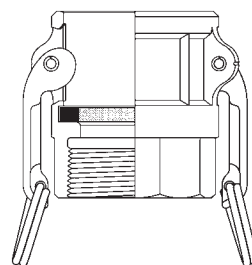
Type F
male adapter x male NPT



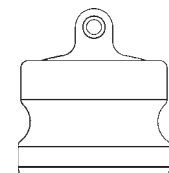
Type C
female coupler x hose shank



Type DC *
dust cap



Type D
female coupler x female NPT



Type DP *
dust plug

* Dust caps and dust plugs are **not** to be used in pressure applications for safety and environmental reasons.

**SAFETY
ALERT**

Warning !

Under no circumstances should cam and groove couplings be used for compressed air or steam service!

**SAFETY
ALERT**

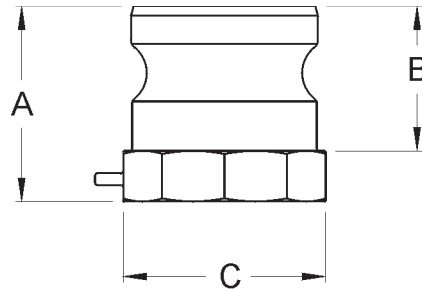
Dixon / Boss-Lock Type A Adapters



male adapter x female NPT
brass

Size	356T6 Aluminum Part #	Aluminum Hard Coat Part #	Brass Part #	Unplated Iron Part #	Plated Iron Part #	316 SS Part #
½"	50-A-AL ²	---	50-A-BR	---	---	50-A-SS
¾" x ½"	7550-A-AL ²	---	7550-A-BR	---	---	7550-A-SS
¾"	75-A-AL ²	---	75-A-BR	---	75-A-PM	75-A-SS
1"	100-A-AL ²	---	100-A-BR	---	100-A-PM	100-A-SS
1¼"	125-A-AL	---	125-A-BR	---	---	125-A-SS
1½"	150-A-AL	150-A-ALH	150-A-BR	150-A-MI	150-A-PM	150-A-SS
2"	200-A-AL	200-A-ALH	200-A-BR	200-A-MI	200-A-PM	200-A-SS
2½"	250-A-AL	---	250-A-BR	---	---	250-A-SS
3"	300-A-AL	300-A-ALH	300-A-BR	300-A-MI	300-A-PM	300-A-SS
4"	400-A-AL	400-A-ALH	400-A-BR	400-A-MI	400-A-PM	400-A-SS
5"	500-A-AL	---	500-A-BR	500-A-MI	---	500-A-SS
6"	600-A-AL	600-A-ALH	600-A-BR	---	600-A-PM	600-A-SS
8" DIX	800-A-AL ¹	---	---	---	---	---
8" BL	801-A-AL ¹	---	---	---	---	---

¹ Dixon and Boss-Lock cam and groove couplings *do not interchange in the 8" size.*
² made from 6061-T6 aluminum



3576T6 aluminum, brass and iron dimensions

Size	½"	¾" x ½"	¾"	1"	1¼"	1½"	2"	2½"	3"	4"	5"	6"	8" DIX	8" BL
A overall length	1-11/16	1-11/16	1-5/8	2	2-3/16	2-3/16	2-5/8	2¾	2¾	3-1/8	3-3/8	3-3/8	4-13/16	4-7/16
B adapter length	1-1/16	1-1/16	1-1/16	1-5/16	1-9/16	1-5/8	1-7/8	1-15/16	2	2-1/16	2¼	2¼	3-9/16	2¼
C distance across flats	1	1-5/16	1-3/8	1½	2	2-9/32	2¾	3¼	3-7/8	5	7¼	7¼	10-5/8	10-5/8

316 stainless steel dimensions

Size	½"	¾" x ½"	¾"	1"	1¼"	1½"	2"	2½"	3"	4"	5"	6"	8" DIX	8" BL
A overall length	1-5/8	1-19/32	1½	1-31/32	2-7/32	2-3/16	2-19/32	2-11/16	2-29/32	3-11/64	3¼	3¼	---	---
B adapter length	1-1/16	1	1	1-5/16	1-9/16	1-5/8	1-7/8	1-15/16	2	2-1/16	2-5/16	2¼	---	---
C distance across flats	1	1-5/16	1-5/16	1½	1-15/16	2-9/32	2-11/16	3¼	3¾	5	6-17/32	6¾	---	---

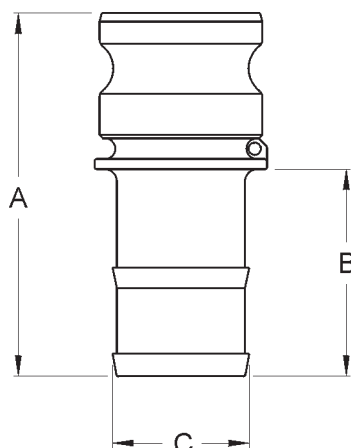
Dixon / Boss-Lock Type E Adapters

Size	356T6 Aluminum Part #	Aluminum Hard Coat Part #	Brass Part #	Unplated Iron Part #	Plated Iron Part #	316 SS Part #
1/2"	50-E-AL	---	50-E-BR	---	---	50-E-SS
3/4" x 1/2"	7550-E-AL	---	---	---	---	7550-E-SS
3/4"	75-E-AL	---	75-E-BR	---	75-E-PM	75-E-SS
1"	100-E-AL	---	100-E-BR	---	100-E-PM	100-E-SS
1 1/4"	125-E-AL	---	125-E-BR	---	125-E-PM	125-E-SS
1 1/2"	150-E-AL	150-E-ALH	150-E-BR	150-E-MI	150-E-PM	150-E-SS
2"	200-E-AL	200-E-ALH	200-E-BR	200-E-MI	200-E-PM	200-E-SS
2 1/2"	250-E-AL	---	250-E-BR	---	---	250-E-SS
3"	300-E-AL	300-E-ALH	300-E-BR	300-E-MI	300-E-PM	300-E-SS
4"	400-E-AL	400-E-ALH	400-E-BR	400-E-MI	400-E-PM	400-E-SS
5"	500-E-AL	---	---	---	---	500-E-SS
6"	600-E-AL	600-E-ALH	600-E-BR	---	600-E-PM	600-E-SS
8" DIX	800-E-AL ¹	---	---	---	---	---
8" BL	801-E-AL ¹	---	---	---	---	---



male adapter x hose shank
brass

¹ Dixon and Boss-Lock cam and groove couplings do not interchange in the 8" size.



356T6 aluminum, brass and iron dimensions

Size	1/2"	3/4" x 1/2"	3/4"	1"	1 1/4"	1 1/2"	2"	2 1/2"	3"	4"	5"	6"	8" DIX	8" BL
A overall length	2 1/2	2 3/4	3-15/16	4-5/8	4-7/8	5-1/16	6-1/32	6 1/4	6-29/32	7-3/16	7-5/32	9-5/32	11-13/16	11 1/4
B hose shank length	1-7/16	1-5/16	2-3/8	2-15/16	2-13/16	2-29/32	3-3/8	3 3/4	4-7/32	4 1/4	4 1/4	6-1/32	8	8
C hose shank OD	9/16	19/32	27/32	1-1/16	1-11/32	1-9/16	2-1/16	2-5/8	3-3/32	4-3/32	5-3/32	6-1/16	8-1/16	8-1/16

316 stainless steel dimensions

Size	1/2"	3/4" x 1/2"	3/4"	1"	1 1/4"	1 1/2"	2"	2 1/2"	3"	4"	5"	6"	8" DIX	8" BL
A overall length	2-7/16	2 3/4	3-15/32	4-11/16	4-7/8	4-31/32	5 3/4	6 1/4	6-7/8	6-7/8	7 11/64	9-29/32	---	---
B hose shank length	1 3/4	15/16	2-3/8	2-15/16	4-7/8	2-29/32	3-3/8	3 3/4	4-3/16	4 1/4	4 1/4	6-3/32	---	---
C hose shank OD	9/16	19/32	1-5/16	1-1/16	1-11/32	1-9/16	2-1/16	2-5/8	3-3/32	4-3/32	5-3/32	6-1/16	---	---

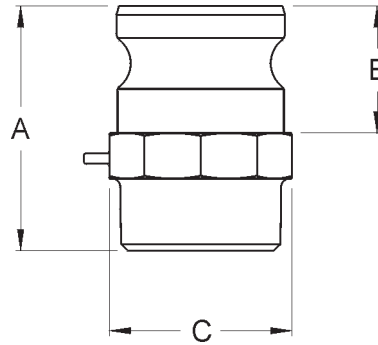
Dixon / Boss-Lock Type F Adapters



male adapter x male NPT
brass

Size	356T6 Aluminum Part #	Aluminum Hard Coat Part #	Brass Part #	Unplated Iron Part #	Plated Iron Part #	316 SS Part #
½"	50-F-AL	---	50-F-BR	---	---	50-F-SS
¾" x ½"	7550-F-AL	---	7550-F-BR	---	---	7550-F-SS
¾"	75-F-AL	---	75-F-BR	---	75-F-PM	75-F-SS
1"	100-F-AL	---	100-F-BR	---	100-F-PM	100-F-SS
1¼"	125-F-AL	---	125-F-BR	---	---	125-F-SS
1½"	150-F-AL	150-F-ALH	150-F-BR	150-F-MI	150-F-PM	150-F-SS
2"	200-F-AL	200-F-ALH	200-F-BR	200-F-MI	200-F-PM	200-F-SS
2½"	250-F-AL	---	250-F-BR	---	---	250-F-SS
3"	300-F-AL	300-F-ALH	300-F-BR	300-F-MI	300-F-PM	300-F-SS
4"	400-F-AL	400-F-ALH	400-F-BR	400-F-MI	400-F-PM	400-F-SS
5"	500-F-AL	---	---	---	---	---
6"	600-F-AL	600-F-ALH	600-F-BR	---	600-F-PM	600-F-SS
8" DIX	800-F-AL ¹	---	---	---	---	---
8" BL	801-F-AL ¹	---	---	---	---	---

SAFETY ALERT ¹ Dixon and Boss-Lock cam and groove couplings *do not interchange in the 8" size.*



356T6 aluminum, brass and iron dimensions

Size	½"	¾" x ½"	¾"	1"	1¼"	1½"	2"	2½"	3"	4"	5"	6"	8" DIX	8" BL
A overall length	2-1/8	2½	2½	2-7/8	2-15/16	3-5/32	3-17/32	4-7/16	4-1/8	4-21/32	4½	5-17/32	6-7/8	6-3/8
B adapter length	1-1/16	1-1/16	1-1/16	1-5/16	1-9/16	1-5/8	1-7/8	1-15/16	2	2-1/16	2-5/16	2¼	3-9/16	3-1/16
C distance across flats	1	1-5/16	1-3/8	1½	1-7/8	2¼	2-11/16	3¼	3¾	5	6½	8-1/32	10-23/32	10-23/32

316 stainless steel dimensions

Size	½"	¾" x ½"	¾"	1"	1¼"	1½"	2"	2½"	3"	4"	5"	6"	8" DIX	8" BL
A overall length	2-1/8	2½	2-1/8	2-9/16	3-7/32	3-1/8	3-5/8	4-7/16	4-17/32	4-15/16	---	4-15/16	---	---
B adapter length	1-1/16	1-1/16	1-1/16	1-5/16	1-9/16	1-5/8	1-7/8	1-15/16	2	2-1/16	---	2¼	---	---
C distance across flats	1	1-5/16	1-5/16	1½	1-15/16	2¼	2-11/16	3¼	3¾	5	---	7¾	---	---

Dixon / Boss-Lock Type DP Plugs

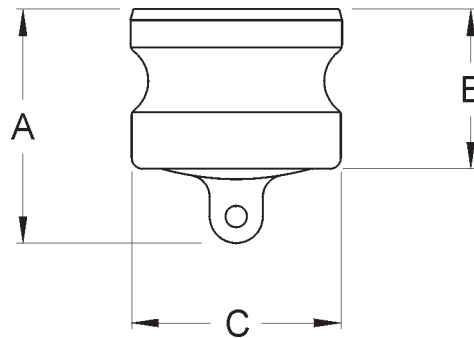
Size	356T6 Aluminum Part #	Aluminum Hard Coat Part #	Brass Part #	Unplated Iron Part #	Plated Iron Part #	316 SS Part #
½"	---	---	50-DP-BR	---	---	50-DP-SS
¾"	75-DP-AL	---	75-DP-BR	---	---	75-DP-SS
1"	100-DP-AL	---	100-DP-BR	---	100-DP-PM	100-DP-SS
1¼"	125-DP-AL	---	125-DP-BR	---	125-DP-PM	125-DP-SS
1½"	150-DP-AL	150-DP-ALH	150-DP-BR	150-DP-MI	150-DP-PM	150-DP-SS
2"	200-DP-AL	200-DP-ALH	200-DP-BR	200-DP-MI	200-DP-PM	200-DP-SS
2½"	250-DP-AL	---	---	---	250-DP-PM	250-DP-SS
3"	300-DP-AL	300-DP-ALH	300-DP-BR	300-DP-MI	300-DP-PM	300-DP-SS
4"	400-DP-AL	400-DP-ALH	400-DP-BR	400-DP-MI	400-DP-PM	400-DP-SS
5"	500-DP-AL	---	---	---	---	---
6"	600-DP-AL	600-DP-ALH	600-DP-BR	---	---	600-DP-SS
8" DIX	800-DP-AL ¹	---	---	---	---	---
8" BL	801-DP-AL ¹	---	---	---	---	---



dust plug
brass

¹ Dixon and Boss-Lock cam and groove couplings do not interchange in the 8" size.

Dust caps and dust plugs are not to be used in pressure applications for safety and environmental reasons. SAFETY ALERT



356T6 aluminum, brass and iron dimensions

Size	½"	¾"	1"	1¼"	1½"	2"	2½"	3"	4"	5"	6"	8" DIX	8" BL
A overall length	1-7/16	1-23/32	1-15/16	2-3/8	2-13/32	2-7/8	2-7/8	2-13/16	3-1/16	3-3/8	3-1/16	5-3/16	4-11/16
B adapter length	15/16	1-3/32	1-3/8	1-5/8	1-5/8	1-7/8	1-31/32	2	2-1/16	2-11/32	2-1/8	3-9/16	3-1/16
C outside OD	15/16	1¼	1-7/16	1-25/32	2-1/8	2½	2-31/32	3-17/32	4-23/32	5-23/32	6-15/16	9-1/8	8-15/16

316 stainless steel dimensions

Size	½"	¾"	1"	1¼"	1½"	2"	2½"	3"	4"	5"	6"	8" DIX	8" BL
A overall length	1-7/16	1-11/16	1-15/16	2¼	2½	2¾	2-7/8	2-27/32	3-1/8	---	3½	---	---
B adapter length	15/16	1-1/16	1-3/8	1-9/16	1-5/8	1-7/8	1-7/8	2	2-1/16	---	2¼	---	---
C outside OD	15/16	1¼	1-7/16	1-25/32	2-1/8	2½	2-31/32	3-17/32	4-23/32	---	6-15/16	---	---

Dixon Type C Couplers



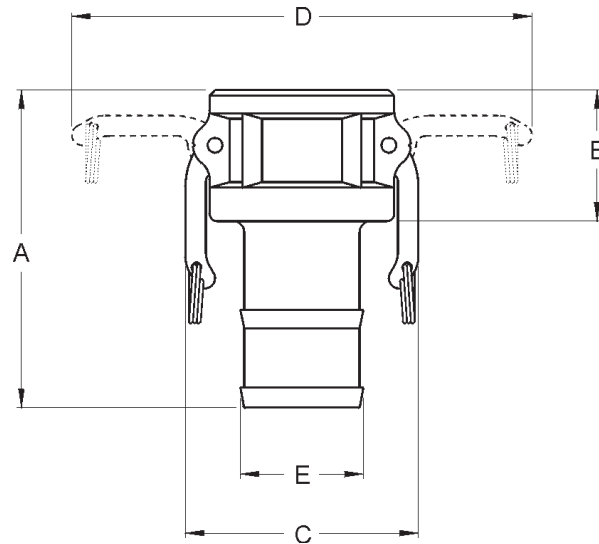
female coupler x hose shank
aluminum

Size	356T6 Aluminum Part #	Aluminum Hard Coat Part #	Brass Part #	Unplated Iron Part #	316 SS Part #
½"	50-C-AL	---	50-C-BR	---	50-C-SS
¾"	75-C-AL	---	75-C-BR	---	75-C-SS
1"	100-C-AL	---	100-C-BR	---	100-C-SS
1¼"	125-C-AL ²	---	125-C-BR ²	---	125-C-SS
1½"	150-C-AL	150-C-ALH	150-C-BR	150-C-MI	150-C-SS
2"	200-C-AL	200-C-ALH	200-C-BR	200-C-MI	200-C-SS
2½"	250-C-AL ²	---	250-C-BR ²	---	250-C-SS
3"	300-C-AL	300-C-ALH	300-C-BR	300-C-MI	300-C-SS
4"	400-C-AL	400-C-ALH	400-C-BR	400-C-MI	400-C-SS
5"	500-C-AL	---	---	---	500-C-SS
6"	600-C-AL	600-C-ALH	600-C-BR	---	600-C-SS
8"	800-C-AL ¹	---	---	---	---

SAFETY ALERT

¹ Dixon and Boss-Lock cam and groove couplings *do not interchange in the 8" size*. The 8" Dixon design has 4 cam arms.

² Parts are manufactured in Canada.



3576T6 aluminum, brass and iron dimensions

Size	½"	¾"	1"	1¼"	1½"	2"	2½"	3"	4"	5"	6"	8"
A overall length	2-5/8	3¾	4½	4-5/16	4-7/8	5-19/32	5½	6-17/32	6-9/16	6-9/16	8-21/32	11-13/16
B coupler length	1-3/16	1¼	1-9/16	1-15/16	1-31/32	2-7/32	2-7/32	2-5/16	2-5/16	2-5/16	2-5/8	3-13/16
C distance across closed cam arms	1-17/32	2-1/8	2-7/16	3-3/8	3-9/16	3-15/16	4-5/8	5-15/32	6-9/16	7-9/16	10-3/32	12-1/32
D distance across open cam arms	2-5/8	4-5/16	5-3/16	7-7/16	7-5/8	8-1/32	8-9/16	10-3/32	11-3/16	12-3/16	16¼	19-31/32
E hose shank OD	19/32	27/32	1-1/16	1-11/32	1-9/16	2-1/16	2-5/8	3-3/32	4-3/32	5-3/32	6-1/16	8-3/32

316 stainless steel dimensions

Size	½"	¾"	1"	1¼"	1½"	2"	2½"	3"	4"	5"	6"	8"
A overall length	3-7/32	3-11/16	4½	4-5/8	4-13/16	5-19/32	6-1/16	6-7/16	6-17/32	7-3/8	8-11/16	---
B adapter length	1-7/32	1¼	1-9/16	1-29/32	1-29/32	2-7/32	2¼	2¼	2-9/32	2-7/16	2-19/32	---
C distance across closed cam arms	1-17/32	2-1/8	2-7/16	¾	3-9/16	3-15/16	4-7/16	5-15/32	5-15/32	7-9/16	10-3/32	---
D distance across open cam arms	2-5/8	4-5/16	5-3/16	7-5/32	7-7/16	7-13/16	8-11/32	9-15/16	11-1/32	12-1/32	16¼	---
E hose shank OD	19/32	27/32	1-1/16	1-11/32	1-9/16	2-1/16	2-5/8	3-3/32	4-3/32	5-3/32	6-1/16	---

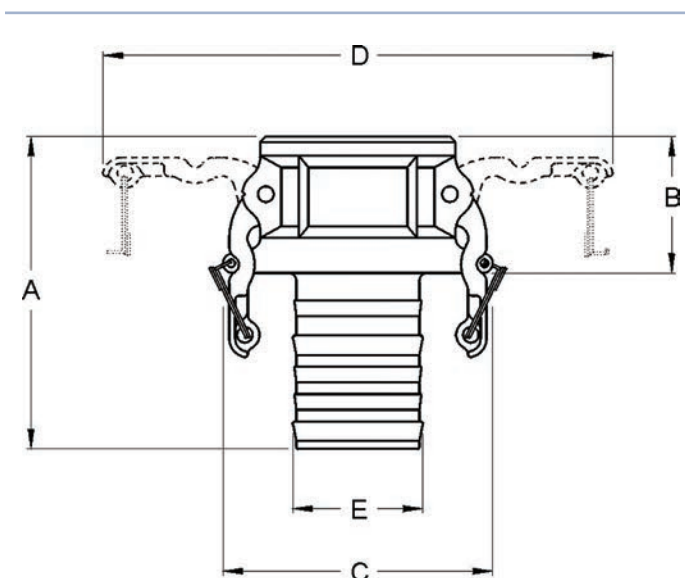
Boss-Lock Type C Couplers

Size	356T6 Aluminum Part #	Brass Part #	Unplated Iron Part #	316 SS Part #
3/4" x 1/2"	---	---	---	RC050BL
3/4"	AC075	BC075	IC075	RC075BL
1"	AC100	BC100	IC100	RC100BL
1 1/4"	AC125	BC125	---	RC125BL
1 1/2"	AC150	BC150	IC150	RC150BLNO
2"	AC200	BC200	IC200	RC200BLNO
2 1/2"	AC250	BC250	---	---
3"	AC300	BC300	IC300	RC300BL
4"	AC400	BC400	IC400	RC400BLNO
6"	AC600	BC600	IC600	---
8"	AC800 ¹	---	---	---



female coupler x hose shank
aluminum

¹ Dixon and Boss-Lock cam and groove couplings do not interchange in the 8" size. **SAFETY ALERT**
The 8" Dixon design has 4 cam arms.



3576T6 aluminum, brass and iron dimensions

Size	3/4" x 1/2"	3/4"	1"	1 1/4"	1 1/2"	2"	2 1/2"	3"	4"	6"	8"
A overall length	---	4-3/8	4-7/8	5-7/16	4-29/32	5-19/32	6-1/16	6-3/16	6 1/2	8-3/8	11-13/16
B coupler length	---	1-13/32	1-17/32	1-29/32	1-31/32	2-7/32	2 1/4	2 1/4	2 1/4	2-5/8	2-13/16
C distance across safety lugs	---	2-19/32	2-29/32	3-5/8	3-29/32	4-5/16	4-13/16	5-9/16	6-11/16	9-5/8	11-5/8
D distance across open cam arms	---	5-13/32	5-9/16	7-15/32	7-25/32	8-5/32	8-21/32	9-29/32	11	16-5/32	18-5/32
E hose shank OD	---	27/32	1-1/16	1-11/32	1-11/16	2-1/16	2-19/32	3-7/32	4-3/32	6-3/32	8-1/16

316 stainless steel dimensions

Size	3/4" x 1/2"	3/4"	1"	1 1/4"	1 1/2"	2"	2 1/2"	3"	4"	6"	8"
A overall length	3-3/32	3-7/8	4-29/32	5-7/16	5 1/2	5-5/16	---	6-15/32	7	---	---
B adapter length	1-5/8	1-9/32	1-9/16	1-29/32	1-29/32	2-3/16	---	2-9/32	2-5/16	---	---
C distance across safety lugs	2-25/32	2-25/32	2-29/32	3-5/8	3-29/32	4-5/16	---	5-9/16	6-11/16	---	---
D distance across open cam arms	5-13/32	5-13/32	5-9/16	7-15/32	7-25/32	8-5/32	---	9-29/32	11	---	---
E hose shank OD	19/32	27/32	1-1/16	1-11/32	1-19/32	2-3/32	---	3-3/32	4-3/32	---	---

EZ Boss-Lock Type C Couplers

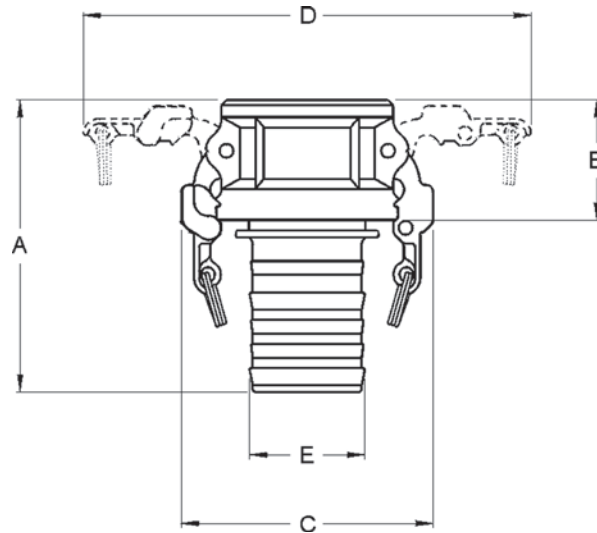


female coupler x hose shank
aluminum

Size	356T6 Aluminum Part #	Brass Part #	316 SS Part #
3/4" x 1/2"	---	---	RC050EZ
3/4"	AC075EZ	BC075EZ	RC075EZ
1"	AC100EZ	BC100EZ	RC100EZ
1 1/4"	---	BC125EZ	RC125EZ
1 1/2"	AC150EZ	BC150EZ	RC150EZNO
2"	AC200EZ	BC200EZ	RC200EZNO
2 1/2"	AC250EZ	---	---
3"	AC300EZ	BC300EZ	RC300EZ
4"	AC400EZ	BC400EZ	RC400EZ
6"	AC600EZ	---	RC600EZ
8"	AC800EZ¹	---	---



¹ Dixon and Boss-Lock cam and groove couplings *do not interchange in the 8" size*. The 8" Dixon design has 4 cam arms



3576T6 aluminum, brass and iron dimensions

Size	3/4" x 1/2"	3/4"	1"	1 1/4"	1 1/2"	2"	2 1/2"	3"	4"	6"	8"
A overall length	---	4-3/8	4-7/8	5-7/16	4-29/32	5-19/32	6-1/16	6-3/16	6 1/2	8-3/8	11-13/16
B coupler length	---	1-13/32	1-17/32	1-29/32	1-31/32	2-7/32	2 1/4	2 1/4	2 1/4	2-5/8	2-13/16
C distance across closed cam arms	---	2-19/32	2-29/32	3-5/8	3-29/32	4-5/16	4-13/16	5-9/16	6-11/16	9-5/8	11-5/8
D distance across open cam arms	---	5-13/32	5-9/16	7-15/32	7-25/32	8-5/32	8-21/32	9-29/32	11	16-5/32	18-5/32
E hose shank OD	---	27/32	1-1/16	1-11/32	1-11/16	2-1/16	2-19/32	3-3/32	4-3/32	6-3/32	8-1/16

316 stainless steel dimensions

Size	3/4" x 1/2"	3/4"	1"	1 1/4"	1 1/2"	2"	2 1/2"	3"	4"	6"	8"
A overall length	3-3/32	3-7/8	4 1/2	5-7/16	5-1/16	5-9/16	---	6-15/32	6-9/16	8-11/16	---
B coupler length	1-5/8	1-9/32	1-9/16	1-29/32	2-5/32	2-3/16	---	2-9/32	2-5/16	2-19/32	---
C distance across closed cam arms	2-25/32	2-25/32	2-29/32	3-5/8	3-29/32	4-5/16	---	5-9/16	6-11/16	9-5/8	---
D distance across open cam arms	5-13/32	5-13/32	5-9/16	7-15/32	7-25/32	8-5/32	---	9-29/32	11	16-5/32	---
E hose shank OD	19/32	27/32	1-1/16	1-11/32	1-9/16	2-1/16	---	3-3/32	4-3/32	6-1/16	---

Dixon Type D Couplers

Size	356T6 Aluminum Part #	Aluminum Hard Coat Part #	Brass Part #	Unplated Iron Part #	316 SS Part #
½"	50-D-AL	---	50-D-BR	---	50-D-SS
¾"	75-D-AL	---	75-D-BR	---	75-D-SS
1"	100-D-AL	---	100-D-BR	---	100-D-SS
1¼"	125-D-AL ²	---	125-D-BR ²	---	125-D-SS
1½"	150-D-AL	150-D-ALH	150-D-BR	150-D-MI	150-D-SS
2"	200-D-AL	200-D-ALH	200-D-BR	200-D-MI	200-D-SS
2½"	250-D-AL ²	---	250-D-BR ²	---	250-D-SS
3"	300-D-AL	300-D-ALH	300-D-BR	300-D-MI	300-D-SS
4"	400-D-AL	400-D-ALH	400-D-BR	400-D-MI	400-D-SS
5"	500-D-AL	---	500-D-BR	500-D-MI	500-D-SS
6"	600-D-AL	600-D-ALH	600-D-BR	---	600-D-SS
8"	800-D-AL ¹	---	---	---	---



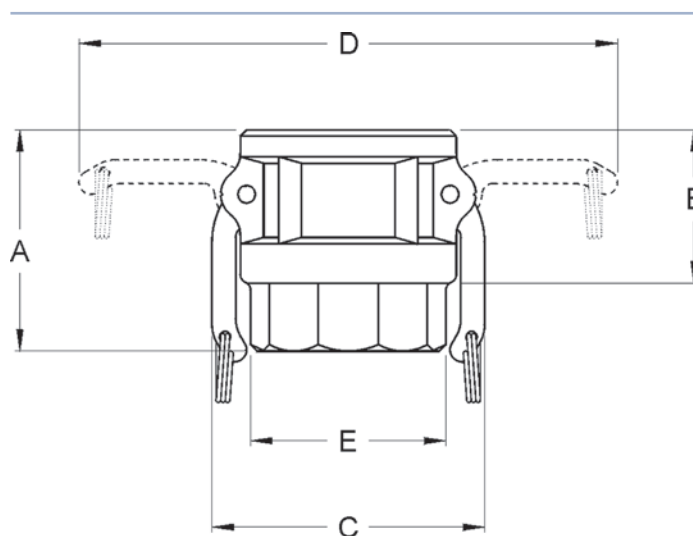
female coupler x female NPT
aluminum

¹ Dixon and Boss-Lock cam and groove couplings *do not interchange in the 8" size.*

The 8" Dixon design has 4 cam arms.

**SAFETY
ALERT**

² Parts are manufactured in Canada.



356T6 aluminum, brass and iron dimensions

Size	½"	¾"	1"	1¼"	1½"	2"	2½"	3"	4"	5"	6"	8"
A overall length	2	2-5/32	2-9/16	2-23/32	2-27/32	3-5/16	3-3/8	3-5/8	3-13/16	3¾	4-11/32	5-27/32
B coupler length	1-11/32	1¼	1-9/16	1-13/16	1-13/16	2-7/32	2-11/32	2-5/16	2-5/16	2-5/16	2-5/8	3-13/16
C distance across closed cam arms	1-17/32	2-1/8	2-7/16	3-3/8	3-9/16	3-15/16	4-5/8	5-15/32	6-9/16	7-9/16	10-3/32	12-1/32
D distance across open cam arms	2-5/8	4-5/16	5-3/16	7-7/16	7-5/8	8-1/32	8-9/16	10-3/32	11-3/16	12-3/16	16¼	19-31/32
E distance across flats	1-1/16	1-9/32	1-19/32	2-1/32	2-3/16	2-5/8	3-7/32	3-7/8	4-7/8	6-9/16 *	7-21/32 *	10-1/16 *

* distance across lugs

316 stainless steel dimensions

Size	½"	¾"	1"	1¼"	1½"	2"	2½"	3"	4"	5"	6"	8"
A overall length	2	2-1/16	2½	2-27/32	2-27/32	3-3/16	3¾	3-19/32	3-11/16	3-13/16	4-1/16	---
B adapter length	1-7/32	1¼	1-9/16	1-29/32	1-29/32	2-7/32	2¼	2-9/32	2-9/32	2-5/16	2-19/32	---
C distance across closed cam arms	1-17/32	2-1/8	2-7/16	3¼	3-9/16	3-15/16	4-7/16	5-15/32	5-15/32	7-9/16	10-3/32	---
D distance across open cam arms	2-5/8	4-5/16	5-3/16	7-5/32	7-7/16	7-13/16	8-11/32	9-15/16	11-1/32	12-1/32	16¼	---
E distance across flats	1-3/32	1-5/16	1-5/8	1-15/16	2-3/16	2-5/8	3-1/8	3¾	4-7/8	6-7/16 *	7-9/16 *	---

* distance across lugs

Boss-Lock Type D Couplers

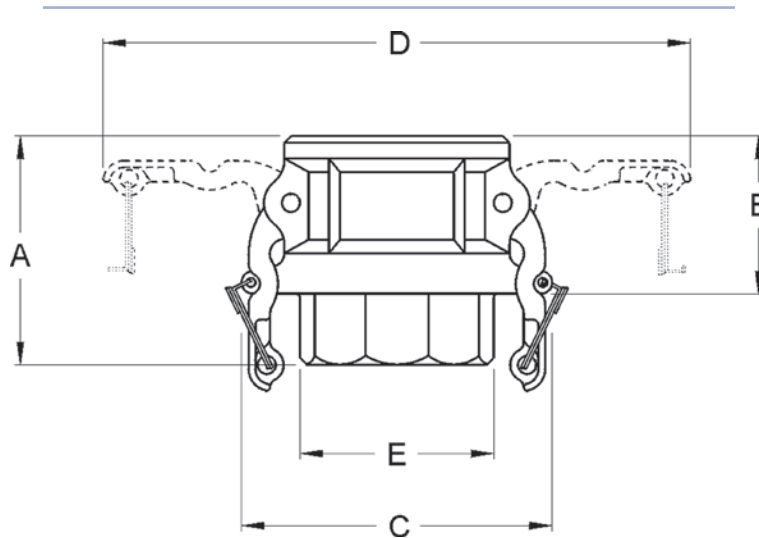


female coupler x female NPT aluminum

Size	356T6 Aluminum Part #	Brass Part #	Plated Iron Part #	316 SS Part #
3/4" x 1/2"	AD050	BD050	---	RD050BL
3/4"	AD075	BD075	ID075	RD075BL
1"	AD100	BD100	ID100	RD100BL
1 1/4"	AD125	BD125	---	RD125BL
1 1/2"	AD150	BD150	ID150	RD150BL
2"	AD200	BD200	ID200	RD200BL
2 1/2"	AD250	BD250	---	---
3"	AD300	BD300	ID300	RD300BL
4"	AD400	BD400	ID400	RD400BL
5"	AD500	---	---	---
6"	AD600	BD600	ID600	---
8"	AD800¹	---	---	---

SAFETY ALERT

¹ Dixon and Boss-Lock cam and groove couplings *do not interchange in the 8" size*. The 8" Dixon design has 4 cam arms.



356T6 aluminum, brass and iron dimensions

Size	3/4" x 1/2"	3/4"	1"	1 1/4"	1 1/2"	2"	2 1/2"	3"	4"	5"	6"	8"
A overall length	2	2-7/32	2-17/32	3-3/32	2-31/32	3 3/4	3-11/16	3-7/8	3-13/16	3-15/16	4-5/8	4 1/2
B coupler length	1-5/16	1-13/32	1-17/32	1-29/32	1-31/32	2-7/32	2 1/4	2-5/16	2-5/16	2-5/16	2-5/8	2-13/16
C distance across safety lugs	2-25/32	2-25/32	2-29/32	3-5/8	3-29/32	4-5/16	4-13/16	5-9/16	6-11/16	7-25/32	9-5/8	11-5/8
D distance across open cam arms	5-13/32	5-13/32	5-9/16	7-15/32	7-25/32	8-5/32	8-21/32	9-29/32	11	12-1/32	16-5/32	18-5/32
E distance across flats	1-3/16	1-3/8	1-5/8	2	2 1/4	2-5/8	3-5/16	3-7/8	4-7/8	6 *	8-5/32	11-5/8

* distance across lugs

316 stainless steel dimensions

Size	3/4" x 1/2"	3/4"	1"	1 1/4"	1 1/2"	2"	2 1/2"	3"	4"	5"	6"	8"
A overall length	2	2-1/8	2 1/2	3-3/32	2-27/32	3-3/16	---	3-19/32	4 3/4	---	---	---
B adapter length	1-5/16	1-9/32	1-9/16	1-29/32	1-29/32	2-3/16	---	2-9/32	2-11/32	---	---	---
C distance across safety lugs	2-25/32	2-25/32	2-29/32	3-5/8	3-29/32	4-5/16	---	5-9/16	6-11/16	---	---	---
D distance across open cam arms	5-13/32	5-13/32	5-9/16	7-15/32	7-25/32	8-5/32	---	9-29/32	11	---	---	---
E distance across flats	1-3/16	1-3/8	1-5/8	2	2-3/16	2-11/16	---	3 3/4	4-7/8	---	---	---

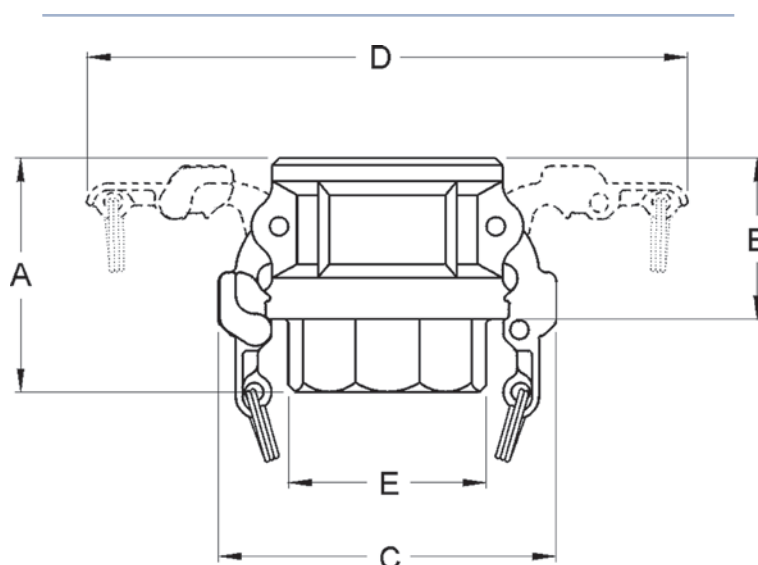
EZ Boss-Lock Type D Couplers

Size	356T6 Aluminum Part #	Brass Part #	316 SS Part #
3/4" x 1/2"	---	---	RD050EZ
3/4"	AD075EZ	BD075EZ	RD075EZ
1"	AD100EZ	BD100EZ	RD100EZ
1 1/4"	---	BD125EZ	RD125EZ
1 1/2"	AD150EZ	BD150EZ	RD150EZ
2"	AD200EZ	BD200EZ	RD200EZ
2 1/2"	AD250EZ	BD250EZ	---
3"	AD300EZ	BD300EZ	RD300EZ
4"	AD400EZ	BD400EZ	RD400EZ
5"	AD500EZ	---	---
6"	AD600EZ	---	RD600EZ
8"	AD800EZ¹	---	---

female coupler x female NPT
aluminum

¹ Dixon and Boss-Lock cam and groove couplings *do not interchange in the 8" size*. The 8" Dixon design has 4 cam arms.

SAFETY
ALERT



3576T6 aluminum, brass and iron dimensions

Size	3/4" x 1/2"	3/4"	1"	1 1/4"	1 1/2"	2"	2 1/2"	3"	4"	5"	6"	8"
A overall length	---	2-7/32	2-17/32	3-3/32	2-31/32	3/4	3-11/16	3-7/8	3-13/16	3-15/16	4-5/8	4 1/2
B coupler length	---	1-13/32	1-17/32	1-29/32	1-31/32	2-7/32	2 1/4	2-5/16	2-5/16	2-5/16	2-5/8	2-13/16
C distance across closed cam arms	---	3-3/32	3/4	3-29/32	4-7/32	4-19/32	5-3/32	5-23/32	6-27/32	7-7/8	10	12-1/32
D distance across open cam arms	---	6-7/32	6-11/32	7-15/32	7-25/32	8-5/32	8-21/32	9-29/32	11	12-1/16	16-25/32	18-25/32
E distance across flats	---	1-3/8	1-5/8	2	2 1/4	2-5/8	3-5/16	3-7/8	4-7/8	6 *	8-5/32	11-5/8

* distance across lugs

316 stainless steel dimensions

Size	3/4" x 1/2"	3/4"	1"	1 1/4"	1 1/2"	2"	2 1/2"	3"	4"	5"	6"	8"
A overall length	2	2-1/8	2 1/2	3-3/32	2-27/32	3-3/16	---	3-19/32	4 3/4	---	4-1/16	---
B adapter length	1-5/16	1-9/32	1-9/16	1-29/32	1-29/32	2-3/16	---	2-9/32	2-11/32	---	2-19/32	---
C distance across closed cam arms	3-3/32	3-3/32	3/4	3-29/32	4-7/32	4-19/32	---	5-23/32	6-27/32	---	10	---
D distance across open cam arms	6-7/32	6-7/32	6-11/32	7-15/32	7-25/32	8-5/32	---	9-29/32	11	---	16-25/32	---
E distance across flats	1-3/16	1-3/8	1-5/8	2	2-3/16	2-11/16	---	3 3/4	4-7/8	---	7-19/32	---

Dixon Type B Couplers



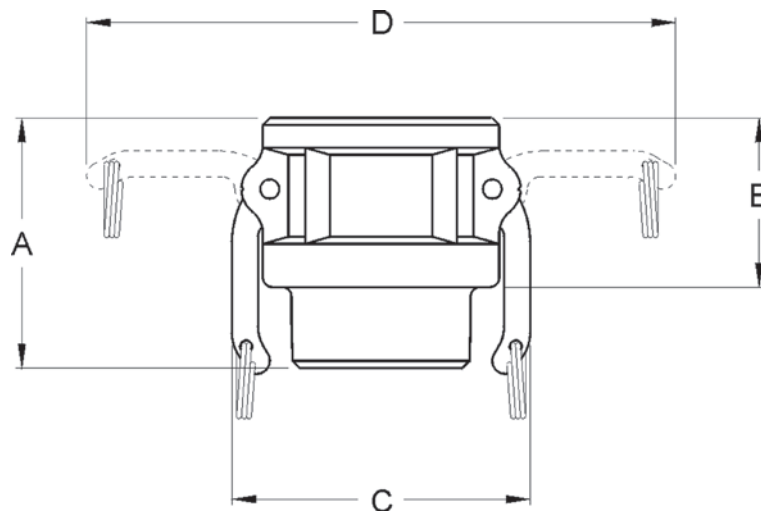
female coupler x male NPT aluminum

Size	356T6 Aluminum Part #	Aluminum Hard Coat Part #	Brass Part #	Unplated Iron Part #	316 SS Part #
½"	50-B-AL	---	50-B-BR	---	50-B-SS
¾"	75-B-AL	---	75-B-BR	---	75-B-SS
1"	100-B-AL	---	100-B-BR	---	100-B-SS
1¼"	125-B-AL ²	---	---	---	---
1½"	150-B-AL	150-B-ALH	150-B-BR	150-B-MI	150-B-SS
2"	200-B-AL	200-B-ALH	200-B-BR	200-B-MI	200-B-SS
2½"	250-B-AL ²	---	---	---	250-B-SS
3"	300-B-AL	300-B-ALH	300-B-BR	300-B-MI	300-B-SS
4"	400-B-AL	400-B-ALH	400-B-BR	400-B-MI	400-B-SS
5"	500-B-AL	---	---	---	---
6"	600-B-AL	600-B-ALH	---	---	600-B-SS
8"	800-B-AL ^{1,3}	---	---	---	---

SAFETY ALERT ¹ Dixon and Boss-Lock cam and groove couplings *do not interchange in the 8" size.* The 8" Dixon design has 4 cam arms.

² Parts are manufactured in Canada.

³ Parts are produced as a welded fabrication.



3576T6 aluminum, brass and iron dimensions

Size	½"	¾"	1"	1¼"	1½"	2"	2½"	3"	4"	5"	6"	8"
A overall length	2	2-1/8	2-17/32	3-1/32	2-13/16	3¼	3-9/16	3-15/16	4-1/32	4-3/16	4-7/16	8¼
B coupler length	1-11/32	1¼	1-5/8	1-15/16	1-29/32	2-7/32	2-5/32	2-5/16	2-11/32	2-5/16	2-5/8	3-13/16
C distance across closed cam arms	1-17/32	2-1/8	2-7/16	3-3/8	3-9/16	3-15/16	4-5/8	5-15/32	6-9/16	7-9/16	10-3/32	12-1/32
D distance across open cam arms	2-5/8	4-5/16	5-3/16	7-7/16	7-5/8	8-1/32	8-9/16	10-3/32	11-3/16	12-3/16	16¼	19-31/32

316 stainless steel dimensions

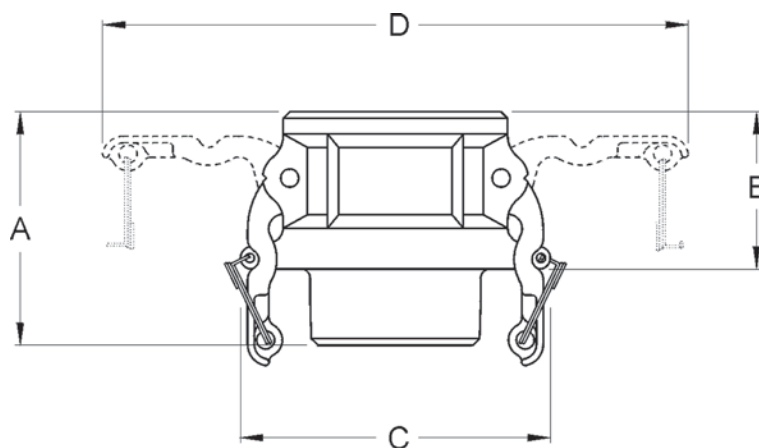
Size	½"	¾"	1"	1¼"	1½"	2"	2½"	3"	4"	5"	6"	8"
A overall length	2-1/32	2-1/8	2-9/16	2-27/32	2-31/32	3-9/32	3-7/16	3-19/32	4	---	4-17/32	---
B adapter length	1-7/32	1¼	1-9/16	1-29/32	1-29/32	2-7/32	2¼	2-3/8	2-9/32	---	2-19/32	---
C distance across closed cam arms	1-17/32	2-1/8	2-7/16	3¼	3-9/16	3-15/16	4-7/16	5-15/32	5-15/32	---	10-3/32	---
D distance across open cam arms	2-5/8	4-5/16	5-3/16	7-5/32	7-7/16	7-13/16	8-11/32	9-15/16	11-1/32	---	16¼	---

Boss-Lock Type B Couplers

Size	356T6 Aluminum Part #	Brass Part #	Plated Iron Part #	316 SS Part #
3/4" x 1/2"	---	BB050	---	RB050BL
3/4"	---	BB075	---	RB075BL
1"	AB100	BB100	IB100	RB100BL
1 1/4"	AB125	BB125	---	RB125BL
1 1/2"	AB150	BB150	IB150	RB150BL
2"	AB200	BB200	IB200	RB200BL
2 1/2"	AB250	BB250	---	---
3"	AB300	BB300	IB300	RB300BL
4"	AB400	BB400	IB400	RB400BL
6"	AB600	---	---	---



female coupler x male NPT
aluminum



356T6 aluminum, brass and iron dimensions

Size	3/4" x 1/2"	3/4"	1"	1 1/4"	1 1/2"	2"	2 1/2"	3"	4"	5"	6"	8"
A overall length	2 1/4	2-5/16	2-17/32	3-5/32	3-5/32	3-9/32	3-7/8	4	4-1/16	---	4-23/32	7-1/8
B coupler length	1-5/16	1-13/32	1-17/32	1-29/32	1-29/32	2-7/32	2 1/4	2-5/16	2-5/16	---	2-19/32	2-13/16
C distance across safety lugs	2-25/32	2-25/32	2-29/32	3-5/8	3-29/32	4-5/16	4-13/16	5-9/16	6-11/16	---	9-5/8	11-5/8
D distance across open cam arms	5-13/32	5-13/32	5-9/16	7-15/32	7-25/32	8-5/32	8-21/32	9-29/32	11	---	16-5/32	18-5/32

316 stainless steel dimensions

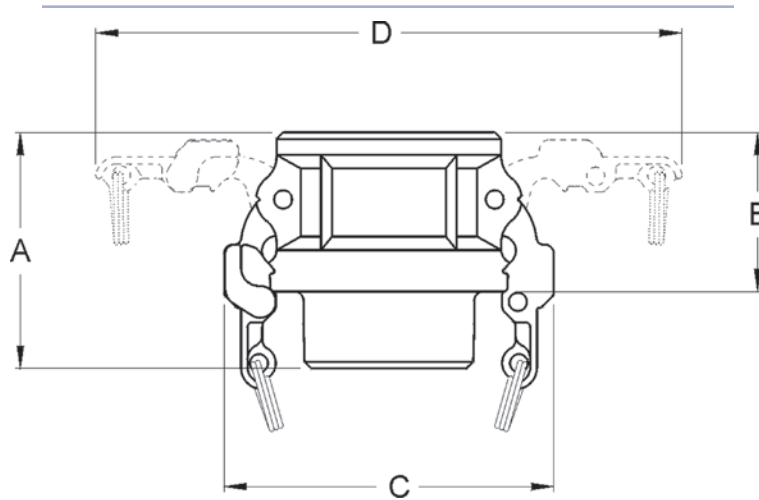
Size	3/4" x 1/2"	3/4"	1"	1 1/4"	1 1/2"	2"	2 1/2"	3"	4"	5"	6"	8"
A overall length	2 1/4	2 1/4	2-9/16	3-3/16	3-7/32	3 3/4	---	3-15/16	4-1/16	---	---	---
B adapter length	1-5/16	1-5/16	1-9/16	1-29/32	1-29/32	2-3/16	---	2-5/16	2-5/16	---	---	---
C distance across safety lugs	2-25/32	2-25/32	2-29/32	3-5/8	3-29/32	4-5/16	---	5-9/16	6-11/16	---	---	---
D distance across open cam arms	5-13/32	5-13/32	5-9/16	7-15/32	7-25/32	8-5/32	---	9-29/32	11	---	---	---

EZ Boss-Lock Type B Couplers



female coupler x male NPT
aluminum

Size	356T6 Aluminum Part #	Brass Part #	316 SS Part #
3/4" x 1/2"	---	---	RB050EZ
3/4"	---	BB075EZ	RB075EZ
1"	AB100EZ	BB100EZ	RB100EZ
1 1/4"	---	BB125EZ	RB125EZ
1 1/2"	AB150EZ	BB150EZ	RB150EZ
2"	AB200EZ	BB200EZ	RB200EZ
3"	AB300EZ	BB300EZ	RB300EZ
4"	AB400EZ	BB400EZ	RB400EZ
6"	---	---	RB600EZ



3576T6 aluminum, brass and iron dimensions

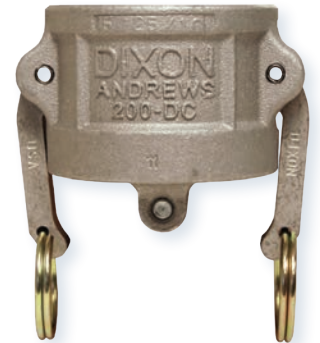
Size	3/4" x 1/2"	3/4"	1"	1 1/4"	1 1/2"	2"	2 1/2"	3"	4"	5"	6"	8"
A overall length	---	2-5/16	2-17/32	3-5/32	3-5/32	3-9/32	---	4	4-1/16	---	4-23/32	---
B coupler length	---	1-13/32	1-17/32	1-29/32	1-29/32	2-7/32	---	2-5/16	2-5/16	---	2-19/32	---
C distance across closed cam arms	---	3-3/32	3/4	3-29/32	4-7/32	4-19/32	---	5-23/32	6-27/32	---	10	---
D distance across open cam arms	---	6-7/32	6-11/32	7-15/32	7-25/32	8-5/32	---	9-29/32	11	---	16-25/32	---

316 stainless steel dimensions

Size	3/4" x 1/2"	3/4"	1"	1 1/4"	1 1/2"	2"	2 1/2"	3"	4"	5"	6"	8"
A overall length	2 1/4	2 1/4	2-9/16	3-3/16	3-7/32	3 3/4	---	3-15/16	4-1/16	---	4-17/32	---
B adapter length	1-5/16	1-5/16	1-9/16	1-29/32	1-29/32	2-3/16	---	2-5/16	2-5/16	---	2-19/32	---
C distance across closed cam arms	3-3/32	3-3/32	3/4	3-29/32	4-7/32	4-19/32	---	5-23/32	6-27/32	---	10	---
D distance across open cam arms	6-7/32	6-7/32	6-11/32	7-15/32	7-25/32	8-5/32	---	9-29/32	11	---	16-25/32	---

Dixon Type DC Dust Caps

Size	356T6 Aluminum Part #	Aluminum Hard Coat Part #	Brass Part #	Unplated Iron Part #	316 SS Part #
1/2"	50-DC-AL	---	50-DC-BR	---	50-DC-SS
3/4"	75-DC-AL	---	75-DC-BR	---	75-DC-SS
1"	100-DC-AL	---	100-DC-BR	---	100-DC-SS
1 1/2"	150-DC-AL	150-DC-ALH	150-DC-BR	---	150-DC-SS
2"	200-DC-AL	200-DC-ALH	200-DC-BR	200-DC-MI	200-DC-SS
2 1/2"	250-DC-AL ²	---	---	---	250-DC-SS
3"	300-DC-AL	300-DC-ALH	300-DC-BR	300-DC-MI	300-DC-SS
4"	400-DC-AL	400-DC-ALH	400-DC-BR	400-DC-MI	400-DC-SS
5"	500-DC-AL	---	500-DC-BR	---	500-DC-SS
6"	600-DC-AL	600-DC-ALH	---	---	600-DC-SS
8"	800-DC-AL ¹	---	---	---	---



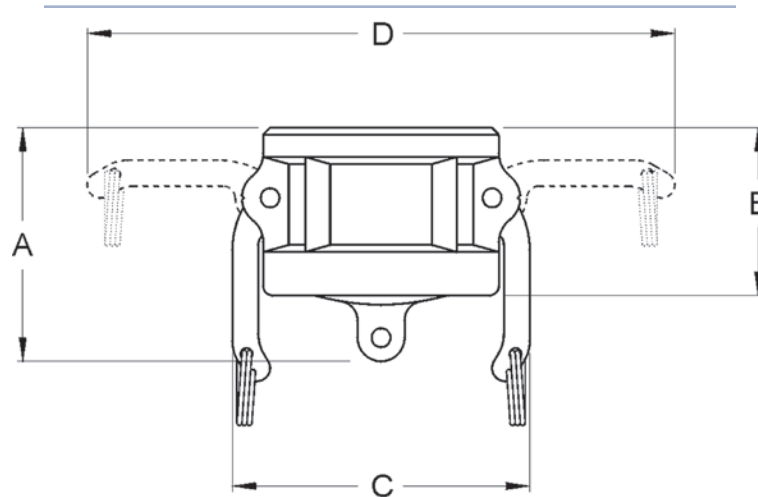
type DC dust cap aluminum



¹ Dixon and Boss-Lock cam and groove couplings *do not interchange in the 8" size*. The 8" Dixon dust cap has 2 cam arms.

² Parts are manufactured in Canada.

Dust caps and dust plugs are not to be used in pressure applications for safety and environmental reasons.



3576T6 aluminum, brass and iron dimensions

Size	1/2"	3/4"	1"	1 1/2"	2"	2 1/2"	3"	4"	5"	6"	8"
A overall length	4-29/32	2-1/16	2-11/32	2-11/16	3	2-5/8	3-1/8	3-21/32	3 1/2	3-3/16	5 4/9
B coupler length	1-7/32	1-3/8	1-21/32	1-13/16	2-7/32	2-5/32	2 1/4	2-5/16	2-5/16	2-5/8	3-13/16
C distance across closed cam arms	1-17/32	2-1/8	2-7/16	3-9/16	3-15/16	4-5/8	5-15/32	6-9/16	7-9/16	10-3/32	12-1/32
D distance across open cam arms	2-5/8	4-5/16	5-3/16	7-5/8	8-1/32	8-9/16	10-3/32	11-3/16	12-3/16	16 1/4	19-31/32

316 stainless steel dimensions

Size	1/2"	3/4"	1"	1 1/2"	2"	2 1/2"	3"	4"	5"	6"	8"
A overall length	1-23/32	1 1/4	2-3/16	2-13/16	3-3/32	3-1/16	3-1/8	3-17/32	3-3/8	3 3/4	---
B adapter length	1-7/32	1 1/4	1-9/16	1-29/32	2-7/32	2 1/4	2-9/32	2-9/32	2-7/16	2-19/32	---
C distance across closed cam arms	1-17/32	2-1/8	2-7/16	3-9/16	3-15/16	4-7/16	5-15/32	5-15/32	7-9/16	10-3/32	---
D distance across open cam arms	2-5/8	4-5/16	5-3/16	7-7/16	7-13/16	8-11/32	9-15/16	11-1/32	12-3/16	16 1/4	---

Boss-Lock Type H Dust Caps

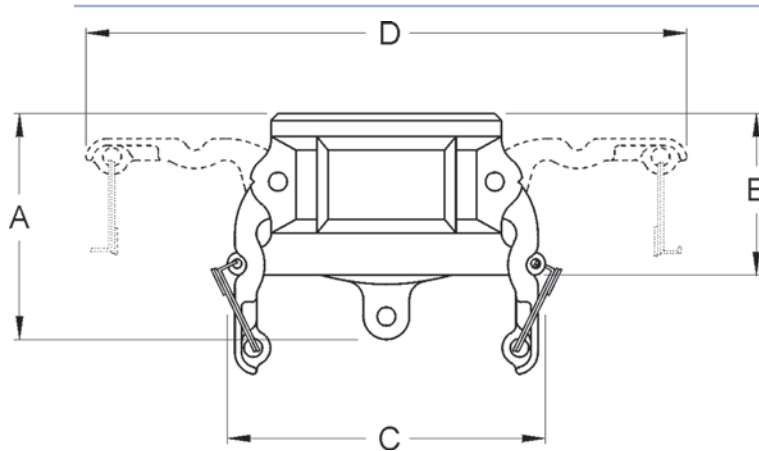


type H dust cap
aluminum

Size	356T6 Aluminum Part #	Brass Part #	Plated Iron Part #	316 SS Part #
¾"	---	---	---	RH075BL
1"	AH100	BH100	---	RH100BL
1¼"	AH125	BH125	---	RH125BL
1½"	AH150	BH150	IH150	RH150BL
2"	AH200	BH200	IH200	RH200BL
2½"	AH250	BH250	---	---
3"	AH300	BH300	IH300	RH300BL
4"	AH400	BH400	IH400	RH400BL
6"	AH600	BH600	IH600	---
8"	AH800 ¹	---	---	---

¹ Dixon and Boss-Lock cam and groove couplings *do not interchange in the 8" size*.
The 8" Boss-Lock design has 2 cam arms.

Dust caps and dust plugs are not to be used in pressure applications for safety and environmental reasons.



3576T6 aluminum, brass and iron dimensions

Size	¾"	1"	1¼"	1½"	2"	2½"	3"	4"	5"	6"	8"
A overall length	---	2-7/32	2¾	2-15/16	3-1/16	3-7/32	3-1/8	3-3/8	---	3-29/32	4-9/16
B coupler length	---	1-9/16	1-29/32	1-29/32	2-3/16	2¼	2-5/16	2-5/16	---	2-5/8	2-13/16
C distance across safety lugs	---	2-29/32	3-5/8	3-29/32	4-5/16	4-13/16	5-9/16	6-11/16	---	9-5/8	11-5/8
D distance across open cam arms	---	5-9/16	7-15/32	7-25/32	8-5/32	8-21/32	9-29/32	11	---	16-5/32	18-5/32

316 stainless steel dimensions

Size	¾"	1"	1¼"	1½"	2"	2½"	3"	4"	5"	6"	8"
A overall length	1-15/16	2-3/16	2¾	2-13/16	3-1/16	---	3-1/8	3-19/32	---	---	---
B adapter length	1-5/16	1-9/16	1-29/32	1-29/32	2-3/16	---	2-9/32	2-5/16	---	---	---
C distance across safety lugs	2-25/32	2-29/32	3-5/8	3-29/32	4-5/16	---	5-9/16	6-11/16	---	---	---
D distance across open cam arms	5-13/32	5-9/16	7-15/32	7-25/32	8-5/32	---	9-29/32	11	---	---	---

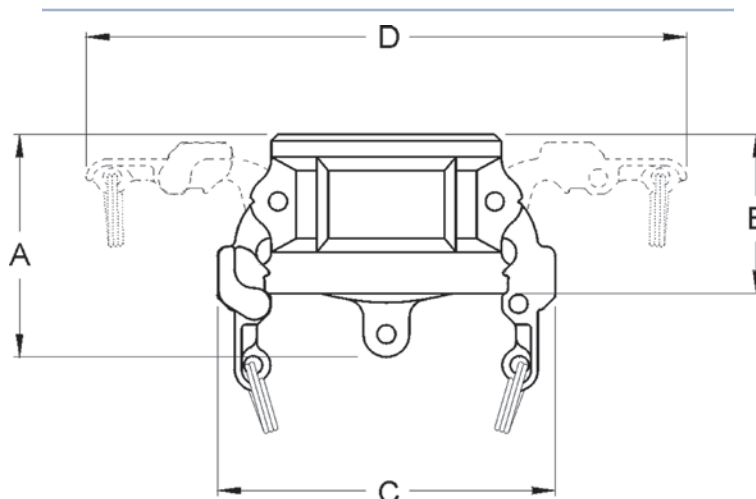
EZ Boss-Lock Type H Dust Caps

Size	356T6 Aluminum Part #	Brass Part #	316 SS Part #
3/4"	---	---	RH075EZ
1"	AH100EZ	BH100EZ	RH100EZ
1 1/4"	---	---	RH125EZ
1 1/2"	AH150EZ	BH150EZ	RH150EZ
2"	AH200EZ	BH200EZ	RH200EZ
2 1/2"	AH250EZ	---	---
3"	AH300EZ	BH300EZ	RH300EZ
4"	AH400EZ	---	RH400EZ
6"	AH600EZ	---	RH600EZ



type H dust cap
aluminum

Dust caps and dust plugs are not to be used in pressure applications for safety and environmental reasons.



3576T6 aluminum, brass and iron dimensions

Size	3/4"	1"	1 1/4"	1 1/2"	2"	2 1/2"	3"	4"	5"	6"	8"
A overall length	---	2-7/32	---	2-15/16	3-1/16	3-7/32	3-1/8	3-3/8	---	3-29/32	4-9/16
B coupler length	---	1-9/16	---	1-29/32	2-3/16	2 1/4	2-5/16	2-5/16	---	2-5/8	2-13/16
C distance across closed cam arms	---	3/4	---	4-7/32	4-19/32	---	5-23/32	6-27/32	---	10	12-1/32
D distance across open cam arms	---	6-11/32	---	7-25/32	8-5/32	---	9-29/32	11	---	16-25/32	18-25/32

316 stainless steel dimensions

Size	3/4"	1"	1 1/4"	1 1/2"	2"	2 1/2"	3"	4"	5"	6"	8"
A overall length	1-15/16	2-3/16	2 3/4	2-13/16	3-1/16	---	3-1/8	3-19/32	---	3 3/4	---
B adapter length	1-5/16	1-9/16	1-29/32	1-29/32	2-3/16	---	2-9/32	2-5/16	---	2-19/32	---
C distance across closed cam arms	3-3/32	3/4	3-29/32	4-7/32	4-19/32	---	5-23/32	6-27/32	---	10	---
D distance across open cam arms	6-7/32	6-11/32	7-15/32	7-25/32	8-5/32	---	9-29/32	11	---	16-25/32	---

Global Cam and Groove

- designed to interchange with all products produced to A-A-59326B
- made to Dixon specifications and branded Dixon
- Buna seals are standard in all couplers

- Pressure rating for adapters, is based on the seal of the mating part.
- *Dust caps and dust plugs are not to be used in pressure applications for safety and environmental reasons*

SAFETY
ALERT

Global Type A Adapters



female NPT x male adapter
stainless steel

Size	A380 Aluminum Part #	ASTMC38000 Forged Brass Part #	316 Investment Cast SS Part #
1/2"	G50-A-AL	G50-A-BR	---
3/4"	G75-A-AL	G75-A-BR	G75-A-SS
1"	G100-A-AL	G100-A-BR	G100-A-SS
1 1/4"	G125-A-AL	G125-A-BR	G125-A-SS
1 1/2"	G150-A-AL	G150-A-BR	G150-A-SS
2"	G200-A-AL	G200-A-BR	G200-A-SS
2 1/2"	G250-A-AL	G250-A-BR	G250-A-SS
3"	G300-A-AL	G300-A-BR	G300-A-SS
4"	G400-A-AL	G400-A-BR	G400-A-SS
5"	G500-A-AL	---	---
6"	G600-A-AL	---	G600-A-SS
8"	G800-A-AL	---	---

Global Type E Adapters



hose shank x male adapter
stainless steel

Size	A380 Aluminum Part #	ASTMC38000 Forged Brass Part #	316 Investment Cast SS Part #
1/2"	G50-E-AL	G50-E-BR	---
3/4"	G75-E-AL	G75-E-BR	G75-E-SS
1"	G100-E-AL	G100-E-BR	G100-E-SS
1 1/4"	G125-E-AL	G125-E-BR	G125-E-SS
1 1/2"	G150-E-AL	G150-E-BR	G150-E-SS
2"	G200-E-AL	G200-E-BR	G200-E-SS
2 1/2"	G250-E-AL	G250-E-BR	G250-E-SS
3"	G300-E-AL	G300-E-BR	G300-E-SS
4"	G400-E-AL	G400-E-BR	G400-E-SS
5"	G500-E-AL	---	---
6"	G600-E-AL	---	G600-E-SS
8"	G800-E-AL	---	---

Global Type F Adapters



male NPT x male adapter
aluminum

Size	A380 Aluminum Part #	ASTMC38000 Forged Brass Part #	316 Investment Cast SS Part #
1/2"	G50-F-AL	G50-F-BR	---
3/4"	G75-F-AL	G75-F-BR	G75-F-SS
1"	G100-F-AL	G100-F-BR	G100-F-SS
1 1/4"	G125-F-AL	G125-F-BR	G125-F-SS
1 1/2"	G150-F-AL	G150-F-BR	G150-F-SS
2"	G200-F-AL	G200-F-BR	G200-F-SS
2 1/2"	G250-F-AL	G250-F-BR	G250-F-SS
3"	G300-F-AL	G300-F-BR	G300-F-SS
4"	G400-F-AL	G400-F-BR	G400-F-SS
5"	G500-F-AL	---	---
6"	G600-F-AL	---	G600-F-SS

Global Type DP Dust Plugs

Size	A380 Aluminum Part #	ASTMC38000 Forged Brass Part #	316 Investment Cast SS Part #
½"	G50-DP-AL	G50-DP-BR	---
¾"	G75-DP-AL	G75-DP-BR	G75-DP-SS
1"	G100-DP-AL	G100-DP-BR	G100-DP-SS
1¼"	G125-DP-AL	G125-DP-BR	G125-DP-SS
1½"	G150-DP-AL	G150-DP-BR	G150-DP-SS
2"	G200-DP-AL	G200-DP-BR	G200-DP-SS
2½"	G250-DP-AL	G250-DP-BR	G250-DP-SS
3"	G300-DP-AL	G300-DP-BR	G300-DP-SS
4"	G400-DP-AL	G400-DP-BR	G400-DP-SS
5"	G500-DP-AL	---	---
6"	G600-DP-AL	---	G600-DP-SS



dust plug
aluminum

Global Type B Couplers

Size	A380 Aluminum Part #	ASTMC38000 Forged Brass Part #	316 Investment Cast SS Part #
½"	G50-B-AL	G50-B-BR	---
¾"	G75-B-AL	G75-B-BR	G75-B-SS
1"	G100-B-AL	G100-B-BR	G100-B-SS
1¼"	G125-B-AL	G125-B-BR	G125-B-SS
1½"	G150-B-AL	G150-B-BR	G150-B-SS
2"	G200-B-AL	G200-B-BR	G200-B-SS
2½"	G250-B-AL	G250-B-BR	G250-B-SS
3"	G300-B-AL	G300-B-BR	G300-B-SS
4"	G400-B-AL	G400-B-BR	G400-B-SS
5"	G500-B-AL	---	---
6"	G600-B-AL	---	G600-B-SS



female coupler x male NPT
aluminum

Global Type C Couplers

Size	A380 Aluminum Part #	ASTMC38000 Forged Brass Part #	316 Investment Cast SS Part #
½"	G50-C-AL	G50-C-BR	---
¾"	G75-C-AL	G75-C-BR	G75-C-SS
1"	G100-C-AL	G100-C-BR	G100-C-SS
1¼"	G125-C-AL	G125-C-BR	G125-C-SS
1½"	G150-C-AL	G150-C-BR	G150-C-SS
2"	G200-C-AL	G200-C-BR	G200-C-SS
2½"	G250-C-AL	G250-C-BR	G250-C-SS
3"	G300-C-AL	G300-C-BR	G300-C-SS
4"	G400-C-AL	G400-C-BR	G400-C-SS
5"	G500-C-AL	---	---
6"	G600-C-AL	---	G600-C-SS
8"	G800-C-AL	---	---



female coupler x hose shank
aluminum

Global Type D Couplers



female coupler x female NPT aluminum

Size	A380 Aluminum Part #	ASTMC38000 Forged Brass Part #	316 Investment Cast SS Part #
½"	G50-D-AL	G50-D-BR	---
¾"	G75-D-AL	G75-D-BR	G75-D-SS
1"	G100-D-AL	G100-D-BR	G100-D-SS
1¼"	G125-D-AL	G125-D-BR	G125-D-SS
1½"	G150-D-AL	G150-D-BR	G150-D-SS
2"	G200-D-AL	G200-D-BR	G200-D-SS
2½"	G250-D-AL	G250-D-BR	G250-D-SS
3"	G300-D-AL	G300-D-BR	G300-D-SS
4"	G400-D-AL	G400-D-BR	G400-D-SS
5"	G500-D-AL	---	---
6"	G600-D-AL	---	G600-D-SS

Global Type DC Dust Caps



dust cap aluminum

Size	A380 Aluminum Part #	ASTMC38000 Forged Brass Part #	316 Investment Cast SS Part #
½"	G50-DC-AL	G50-DC-BR	---
¾"	G75-DC-AL	G75-DC-BR	G75-DC-SS
1"	G100-DC-AL	G100-DC-BR	G100-DC-SS
1¼"	G125-DC-AL	G125-DC-BR	G125-DC-SS
1½"	G150-DC-AL	G150-DC-BR	G150-DC-SS
2"	G200-DC-AL	G200-DC-BR	G200-DC-SS
2½"	G250-DC-AL	G250-DC-BR	G250-DC-SS
3"	G300-DC-AL	G300-DC-BR	G300-DC-SS
4"	G400-DC-AL	G400-DC-BR	G400-DC-SS
5"	G500-DC-AL	---	---
6"	G600-DC-AL	---	G600-DC-SS

Replacement Handle Assemblies for Global Couplers

For Aluminum and Brass Global Couplers

- Handles supplied complete with ring and pin.



investment stainless

Fits on sizes	Investment Stainless Part #
¾"	G75HRP
1"	G100HRP



forged brass

Fits on sizes	Forged Brass Part #
1¼" - 2½"	G152HRP
3" and 4"	G34HRP
6" and 8"	G600HRP

For Stainless Steel Global Couplers



investment stainless

Fits on sizes	Investment Stainless Part #
¾"	G75HRPSS
1"	G100HRPSS
1¼" - 2½"	G125250HRPSS
3" and 4"	G300400HRPSS
6"	G600HRPSS

Safety Clip for Global Couplers



Zinc Plated Carbon Steel Part #

GSAFETYCLIP

Global Type DD Spool Couplers

Size	Aluminum Part #
2"	G200-DD-AL
3"	G300-DD-AL



G300-DD-AL

Global Type AA Spool Couplers

Size	A380 Aluminum Permanent Mold Part #
1"	G100-AA-AL
1½"	G150-AA-AL
2"	G200-AA-AL
3"	G300-AA-AL
4"	G400-AA-AL



G300-AA-AL

Global Jump Size Cam and Groove

male adapter x female NPT

Size	Aluminum Part #
3" x 2"	G3020-A-AL
4" x 3"	G4030-A-AL



G3020-C-AL

male spool adapter

Size	Aluminum Part #
1½" x 2"	G1520-AA-AL
2" x 3"	G2030-AA-AL
3" x 4"	G3040-AA-AL



G3020-DA-AL

female coupler x hose shank

Size	Aluminum Part #
3" x 2"	G3020-C-AL

female coupler x male adapter

Size	Aluminum Part #
3" x 2"	G3020-DA-AL
4" x 3"	G4030-DA-AL



G3020-E-AL

male adapter x hose shank

Size	Aluminum Part #
3" x 2"	G3020-E-AL

Polypropylene Adapters

SAFETY
ALERT

NOT recommended for use with PTFE gaskets

- Recommended for a maximum working pressure of **125 PSI** (½" - 1"), **100 PSI** (1¼" - 2") and **75 PSI** (3" - 4"); recommendations based on the use of mating Dixon fittings at an ambient temperature of **70°F** with standard seal installed.
- ½" couplers and adapters will interchange with ¾" couplers and adapters. Only the threads and barbs are ½".
1¼" couplers and adapters will interchange with 1½" couplers and adapters. Only the threads and barbs are 1¼".
- Polypropylene cam and groove should not be mixed with metal fittings.
- Adapters are manufactured from a glass-filled polypropylene.

SAFETY
ALERT



male adapter x female NPT

type A		
Size	Polypropylene Part #	Opt Qty
¾" x ½"	PPA50	24
¾"	PPA75	24
1"	PPA100	24
1½" x 1¼"	PPA125	24
1½"	PPA150	24
2"	PPA200	24
3"	PPA300	24
4"	PPA400	8



male adapter x male NPT

type F		
Size	Polypropylene Part #	Opt Qty
¾" x ½"	PPF50	24
¾"	PPF75	24
1"	PPF100	24
1½" x 1¼"	PPF125	24
1½"	PPF150	24
2"	PPF200	24
3"	PPF300	24
4"	PPF400	8



male adapter x hose shank

type E		
Size	Polypropylene Part #	Opt Qty
¾" x ½"	PPE50	24
¾"	PPE75	24
1"	PPE100	24
1½" x 1¼"	PPE125	24
1½"	PPE150	24
2"	PPE200	24
3"	PPE300	24
4"	PPE400	8



dust plug

type P ¹		
Size	Polypropylene Part #	Opt Qty
¾"	PPP75	24
1"	PPP100	24
1½"	PPP150	24
2"	PPP200	24
3"	PPP300	24
4"	PPP400²	8

4" plug has a different design²

¹ Dust caps and dust plugs are not to be used in pressure applications for safety and environmental reasons.

SAFETY
ALERT

Polypropylene Adapter Elbows

- Recommended for a maximum working pressure of **100 PSI** (1½" - 2"); recommendations based on the use of mating Dixon fittings at an ambient temperature of **70°F** with standard seal installed.
- Adapter elbows are manufactured from a glass-filled polypropylene.
- For use at elevated temperatures or other unusual operating conditions, consult factory.

SAFETY
ALERT



male adapter x female NPT

90° Elbow x FNPT		
Size	Polypropylene Part #	Opt Qty
1½"	90PPA150	24
2"	90PPA200	24



male adapter x male NPT

90° Elbow x MNPT		
Size	Polypropylene Part #	Opt Qty
1½"	90PPF150	24
2"	90PPF200	24

Polypropylene Couplers

NOT recommended for use with PTFE gaskets

SAFETY
ALERT

- Recommended for a maximum working pressure of **125 PSI** (½" - 1"), **100 PSI** (1¼" - 2") and **75 PSI** (3" - 4"); recommendations based on the use of mating Dixon fittings at an ambient temperature of **70°F** with standard seal installed.
- ½" couplers and adapters will interchange with ¾" couplers and adapters. Only the threads and barbs are ½".
1¼" couplers and adapters will interchange with 1½" couplers and adapters. Only the threads and barbs are 1¼".
- Polypropylene cam and groove should not be mixed with metal fittings.
- supplied with EPDM gaskets, 304 stainless steel handles and pins
- Couplers are manufactured from a glass-filled polypropylene.

SAFETY
ALERT

type D

Size	Polypropylene Part #	Opt Qty
¾" x ½"	PPD50	24
¾"	PPD75	24
1"	PPD100	24
1½" x 1¼"	PPD125	24
1½"	PPD150	24
2"	PPD200	24
3"	PPD300	24
4"	PPD400²	8



female coupler x female NPT

type B

Size	Polypropylene Part #	Opt Qty
¾" x ½"	PPB50	24
¾"	PPB75	24
1"	PPB100	24
1½" x 1¼"	PPB125	24
1½"	PPB150	24
2"	PPB200	24
3"	PPB300	24
4"	PPB400²	8



female coupler x male NPT

type C

Size	Polypropylene Part #	Opt Qty
¾" x ½"	PPC50	24
¾"	PPC75	24
1"	PPC100	24
1½" x 1¼"	PPC125	24
1½"	PPC150	24
2"	PPC200	24
3"	PPC300	24
4"	PPC400²	8



female coupler x hose shank

type H¹

Size	Polypropylene Part #	Opt Qty
¾"	PPH75	24
1"	PPH100	24
1½"	PPH150	24
2"	PPH200	24
3"	PPH300	24
4"	PPH400²	8



dust cap



4" cap has 3 handles²

¹ Dust caps and dust plugs are not to be used in pressure applications for safety and environmental reasons.

SAFETY
ALERT

² 4" coupler has 3 handles

locking handle pictured is only available in 1¼" thru 2"

Polypropylene Coupler Elbows

- Recommended for a maximum working pressure of **100 PSI** (1½" - 2"); recommendations based on the use of mating Dixon fittings at an ambient temperature of **70°F** with standard seal installed.
- Coupler elbows are manufactured from a glass-filled polypropylene.
- Supplied with EPDM gaskets, 304 stainless steel handles and pins.
- For use at elevated temperatures or other unusual operating conditions, consult factory.

SAFETY
ALERT

FNPT x 90° Elbow

Size	Polypropylene Part #	Opt Qty
1½"	90PPD150	24
2"	90PPD200	24



female NPT x female coupler

Hose Shank x 90° Elbow

Size	Polypropylene Part #	Opt Qty
1½"	90PPC150	24
2"	90PPC200	24



hose shank x female coupler

Replacement Parts for Polypropylene Cam & Groove

Handles



1¼", 1½", 2"



½", ¾", 1", 3", 4"

Used on sizes	430 Stainless Steel Part #
½"	61594
¾"	61594
1"	61594
1¼"	61595
1½"	61595
2"	61595
3"	61596
4"	61596

Gaskets



Used on sizes	EPDM Part #
½"	61570
¾"	61570
1"	61571
1¼"	61572
1½"	61572
2"	61574
3"	61575
4"	62797

Key Rings



Used on sizes	304 Stainless Steel Part #
½"	61589
¾"	61589
1"	61589
1¼"	61589
1½"	61589
2"	61589
3"	61589
4"	61589

Cam Handle Pins



Used on sizes	304 Stainless Steel Part #
½"	61582
¾"	61582
1"	61582
1¼"	61585
1½"	61585
2"	61585
3"	61584
4"	61584

Safety Clips



Used on sizes	304 Stainless Steel Part #
1¼"	63545
1½"	63545
2"	63545

Swaged Cam and Groove

- Developed specifically for chemical transport hoses having Crosslinked Polyethylene (XLPE) or Ultra High Molecular Weight Polyethylene (UHMW) tubes. Swaged Boss-Lock provides you with a permanently attached cam and groove fitting when superior coupling retention is required.
- In testing tank transport hoses from a wide variety of manufacturers, the swaged Boss-Lock fitting proved itself to be the clear winner in overall performance.
- Fittings are also available on special order for other sizes or hose OD's. Consult the factory for pricing and availability.
- Consult the factory for pricing and availability of the *special equipment required for installation*.

SAFETY
ALERT

EZ Boss-Lock type C coupler with ferrule

Size	Hose OD		316 Stainless Steel Part #
	from	to	
¾"	1-6/64"	1-22/64"	RC075EZ-70
1"	1-29/64"	1-35/64"	RC100EZ-20
1"	1-36/64"	1-44/64"	RC100EZ-70



coupler x hose shank with ferrule

Boss-Lock type E adapter with ferrule

Size	Hose OD		316 Stainless Steel Part #
	from	to	
¾"	1-6/64"	1-22/64"	RE075-1370
1"	1-29/64"	1-35/64"	RE100-1620
1"	1-36/64"	1-44/64"	RE100-1770



adapter x hose shank with ferrule

Notched Ferrules

Size	Hose OD		304 Stainless Steel Part #
	from	to	
1½"	1-60/64"	2-12/64"	GAS2334NO
1½"	2-4/64"	2-22/64"	GAS2370NO
2"	2-30/64"	2-44/64"	GAS2709NO
2"	2-42/64"	2-54/64"	GAS2885NO
3"	3-30/64"	3-46/64"	GAS3760NO
3"	3-47/64"	3-54/64"	GAS3885NO
4"	4-40/64"	4-47/64"	GAS5010NO



Dixon stems and ferrules are specifically designed to be used together as a coupling system.

Due to differences in dimensions and tolerances for safety reasons,
do not use other manufacturer's stems or ferrules with Dixon products.

SAFETY
ALERT

Notched Cam and Groove

- The largest advantage of the notched EZ Boss-Lock design is that the coupling can be removed from a damaged hose by cutting away the ferrule, without necessarily damaging the fitting. *After inspection of the fitting to determine its suitability for reuse, it can be reinstalled into another hose by using a new ferrule.* **SAFETY ALERT**
- The notched EZ Boss-Lock system allows you to better manage your inventories. You can stock one coupling and two ferrules, and cover the same hose range with less inventory. *You must purchase a fitting and the matching ferrule to create an assembly.* **SAFETY ALERT**
- for use with notched ferrules on previous page

Dixon stems and ferrules are specifically designed to be used together as a coupling system. Due to differences in dimensions and tolerances for safety reasons, do not use other manufacturer's stems or ferrules with Dixon products.

Couplers

EZ Boss-Lock type C with notched shank



female coupler x notched hose shank stainless steel

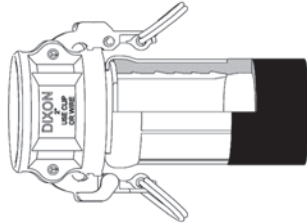
Size	316 Stainless Steel Part #
1½"	RC150EZNO
2"	RC200EZNO
3"	RC300EZNO
4"	RC400EZNO

Boss-Lock type C with notched shank



female coupler x notched hose shank stainless steel

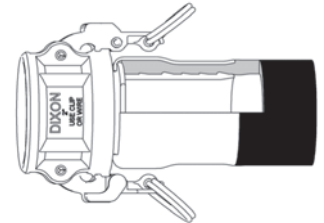
Size	316 Stainless Steel Part #
1½"	RC150BLNO
2"	RC200BLNO
3"	RC300BLNO
4"	RC400BLNO



crimped assembly

SAFETY ALERT

Contact the factory for swage and crimp recommendations.



swaged assembly

Adapters

Boss-Lock type E with notched shank



male adapter x notched hose shank stainless steel

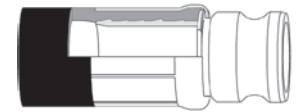
Size	316 Stainless Steel Part #
1½"	RE150NO
2"	RE200NO
3"	RE300NO
4"	RE400NO



swaged assembly

SAFETY ALERT

Contact the factory for swage and crimp recommendations.



crimped assembly

Dixon Cam and Groove with Notched NOS Shank

- The largest advantage of the notched design is that the coupling can be removed from a damaged hose by cutting away the ferrule, without necessarily damaging the fitting. *After inspection of the fitting to determine its suitability for reuse, it can be reinstalled into another hose by using a new ferrule.* SAFETY
ALERT
- The notched system allows you to better manage your inventories. You can stock one stem and two ferrules, and cover the same hose range with less inventory. *You must purchase a fitting and the matching ferrule to create an assembly.* SAFETY
ALERT
- For hose outside diameters of 2-4/64" and below, *the couplings are crimp only.* SAFETY
ALERT
- For hose outside diameters of 2-5/64" and above, the couplings can be crimped or swaged.
- for use with notched ferrules at bottom of the page

Only use the NOS shank with the NOS ferrules.
Due to differences in dimensions and tolerances for safety reasons, do not use other manufacturer's stems or ferrules with Dixon products.

SAFETY
ALERT

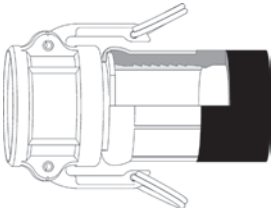
Couplers

Dixon type C with NOS shank

Size	316 Stainless Steel Part #
1½"	150CNOSSS
2"	200CNOSSS
3"	300CNOSSS



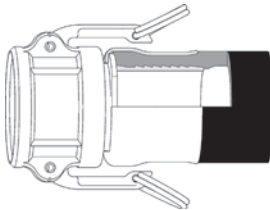
female coupler x notched NOS hose shank stainless steel



crimped assembly

SAFETY
ALERT

Contact the factory for swage and crimp recommendations.



swaged assembly

Adapters

type E with NOS shank

Size	316 Stainless Steel Part #
1½"	150ENOSSS
2"	200ENOSSS
3"	300ENOSSS



male adapter x notched NOS hose shank stainless steel



swaged assembly

SAFETY
ALERT

Contact the factory for swage and crimp recommendations.



crimped assembly

Notched NOS Ferrules

Size	Hose OD		Carbon Steel	304 Stainless Steel
	From:	To:	Part #	Part #
1½"	1-60/64"	2-12/64"	CAS2334NOS	GAS2334NOS
1½"	2-4/64"	2-22/64"	CAS2370NOS	GAS2370NOS
2"	2-30/64"	2-44/64"	CAS2709NOS	GAS2709NOS
2"	2-42/64"	2-54/64"	CAS2885NOS	GAS2885NOS
3"	3-30/64"	3-46/64"	CAS3760NOS	GAS3760NOS
3"	3-47/64"	3-54/64"	CAS3885NOS	GAS3885NOS



carbon steel

Dixon Tank Car Adapters



railroad thread x male adapter
aluminum

- standard 5" Railroad Tank Car thread
- supplied with a Buna-N gasket in the threaded end, see below for other gasket types

Size	Aluminum Part #	Brass Part #	Iron Part #	316 Stainless Steel Part #
2"	200-TCA-AL	---	---	200-TCA-SS
3"	300-TCA-AL	300-TCA-BR	300-TCA-MI	300-TCA-SS
4"	400-TCA-AL	400-TCA-BR	---	400-TCA-SS

SAFETY ALERT Stainless steel adapters are not compatible with the aluminum and brass adapters.



swivel railroad thread x
45° male adapter
aluminum

- standard 5" Railroad Tank Car thread
- 45° tank car swivel adapter
- unit has a long handle brass swivel nut and a swivel retaining ring
- supplied with a Buna-N gasket in the threaded end, see below for other gasket types

Size	Aluminum Part #
4"	40A-45TCAL

Dixon Railroad Tank Car Connections

- all swivel nuts have standard 5" Railroad Tank Car Thread
- supplied with a Buna-N gasket in the threaded end, other gasket types are available on previous page
- Tank car connections are also available in other materials and in 2" and 2½" sizes. Consult factory for pricing and availability.



railroad thread swivel nut
x 20° hose shank
iron

Style S

- shank is 20° below horizontal

Shank Size	Swivel Nut	Iron Part #	Aluminum Part #
3"	5"	TCS30	ATCS30
4"	5"	TCS40	ATCS40



railroad thread swivel nut
x 20° male NPT
stainless steel

Style T

- Stainless steel railroad tank car connections are not compatible with aluminum and brass. **SAFETY ALERT**
- 3" threaded end is 30° below horizontal
- 4" threaded end is 20° below horizontal

Male NPT	Swivel Nut	Iron Part #	Aluminum Part #	316 Stainless Steel Part #
3"	5"	TCT30	ATCT30	RTCT30
4"	5"	TCT40	ATCT40	RTCT40

Style A

- Stainless steel railroad tank car connections are not compatible with aluminum and brass. **SAFETY ALERT**
- adapter is 20° below horizontal

Adapter	Swivel Nut	316 Stainless Steel Part #
3"	5"	RTCA30
4"	5"	RTCA40¹

¹ Parts are produced as a welded fabrication.



railroad thread swivel nut
x 20° adapter
stainless steel

Dixon Railroad Tank Car Connections Style F

- for transloading bio and other fuels
- 4" TTMA flange can be bolted to sight glass or API adapter or other dry disconnect
- 4" flange end is 20° below horizontal



railroad thread swivel nut
x 20° TTMA flange
aluminum

TTMA Flange	Swivel Nut	Aluminum Part #
3"	5"	ATCF40¹

¹ Parts are produced as a welded fabrication.

Cam and Groove x Cam and Groove Elbows

- Couplers are supplied standard with a Buna-N gasket.

45° Elbows

adapter x coupler

Size	Aluminum Part #	316 Stainless Steel Part #
2"	200DA-45AL¹	200DA-45SS¹
3"	300DA-45AL	300DA-45SS¹
4"	400DA-45AL	400DA-45SS¹
6"	600DA-45AL	---



male adapter x female coupler
aluminum

¹ Parts are produced as a welded fabrication.

coupler x coupler

Size	Aluminum Part #	316 Stainless Steel Part #
2"	200DD-45AL	---
3"	300DD-45AL	300DD-45SS
4"	400DD-45AL	---
6"	600DD-45AL	---



female coupler x female coupler
aluminum

Parts are produced as a welded fabrication.

90° Elbows

adapter x coupler

Size	Aluminum Part #	316 Stainless Steel Part #
1"	---	100DA-90SS¹
1½"	150DA-90AL¹	150DA-90SS¹
2"	200DA-90AL	200DA-90SS
3"	300DA-90AL	300DA-90SS
4"	400DA-90AL	400DA-90SS
5"	500DA-90AL¹	---
6"	600DA-90AL	RDA90600EZ^{1,2}



male adapter x female coupler
aluminum

¹ Parts are produced as a welded fabrication.

² EZ Boss-Lock design (not pictured)

coupler x coupler

Size	Aluminum Part #	316 Stainless Steel Part #
2"	200DD-90AL	---
3"	300DD-90AL	300DD-90SS
4"	400DD-90AL	---
6"	600DD-90AL	---



female coupler x female coupler
aluminum

Parts are produced as a welded fabrication.

Cam and Groove Elbows

Type A



male adapter x female NPT stainless steel

male adapter x female NPT 90° elbow

Size	Aluminum Part #	316 Stainless Steel Part #
1½"	150A-90AL	---
2"	200A-90AL	200A-90SS ¹
3"	300A-90AL	300A-90SS
4"	400A-90AL	---

¹ Parts are produced as a welded fabrication.

Type D

- Couplers are supplied standard with a Buna-N gasket

female coupler x female NPT 90° elbow



female coupler x female NPT aluminum

Size	Aluminum Part #	Brass Part #	316 Stainless Steel Part #
1"	---	---	100D-90SS
1¼"	---	125D-90BR	---
1½"	150D-90AL	150D-90BR	---
2"	200D-90AL	200D-90BR	200D-90SS
3"	300D-90AL	---	300D-90SS
4"	400D-90AL	---	400D-90SS ¹
4"	AD90400EZ ²	---	---
6"	600D-90AL	---	---

¹ Parts are produced as a welded fabrication.

² EZ Boss-Lock design (not pictured)

Type E

male adapter x hose shank 90° elbow



male adapter x hose shank aluminum

Size	Aluminum Part #	316 Stainless Steel Part #
2"	---	200E-90SS ¹
3"	300E-90AL	300E-90SS
4"	400E-90AL	400E-90SS ¹
6"	600E-90AL ¹	---

¹ Parts are produced as a welded fabrication.

Type C

- Couplers are supplied standard with a Buna-N gasket.

female coupler x hose shank 90° elbow



female coupler x hose shank aluminum

Size	Aluminum Part #	Brass Part #	316 Stainless Steel Part #
1¼"	---	125C-90BR	---
1½"	150C-90AL	---	150C-90SS
2"	200C-90AL	200C-90BR	200C-90SS
3"	300C-90AL	---	300C-90SS
4"	400C-90AL	---	400C-90SS ¹
6"	600C-90AL	---	---

¹ Parts are produced as a welded fabrication.

Cam and Groove Elbows Type F

male adapter x male NPT 90° elbow

Size	Aluminum Part #	316 Stainless Steel Part #
1½"	150F-90AL	---
2"	200F90AL	200F-90SS ¹
3"	---	300F-90SS ¹



male adapter x male NPT
aluminum

¹ Parts are produced as a welded fabrication.

Type B

- Couplers are supplied standard with a Buna-N gasket

female coupler x male NPT 90° elbow

Size	Aluminum Part #	316 Stainless Steel Part #
1½"	150B-90AL	---
2"	200B-90AL	200B-90SS ¹
3"	---	300B-90SS ¹



female coupler x male NPT
aluminum

¹ Parts are produced as a welded fabrication.

Reducing Cam and Groove Couplings

Type F

male adapter x female NPT

Size	Aluminum Part #	316 Stainless Steel Part #
2" x 1½"	2015-A-AL	2015-A-SS ¹
2" x 3"	2030-A-AL	2030-A-SS
3" x 2"	3020-A-AL	3020-A-SS
3" x 4"	3040-A-AL	---
4" x 3"	4030-A-AL	4030-A-SS ¹
4" x 6"	4060-A-AL	---
6" x 4"	6040-A-AL	6040-A-SS ¹



reducing
male adapter x female NPT
stainless steel

¹ Parts are produced as a welded fabrication.

Type D

- Couplers are supplied standard with a Buna-N gasket

female coupler x female NPT

Size	Aluminum Part #	Brass Part #	316 Stainless Steel Part #
1½" x 1"	1510-D-AL ¹	---	1510-D-SS ¹
2" x 1½"	2015-D-AL	---	2015-D-SS
3" x 2"	3020-D-AL	---	3020-D-SS
4" x 3"	4030-D-AL	4030-D-BR	4030-D-SS ¹
5" x 4"	5040-D-AL ¹	---	---
6" x 4"	6040-D-AL ¹	---	---



reducing
female coupler x female NPT
aluminum

¹ Parts are produced as a welded fabrication.

Reducing Cam and Groove Couplings

In reducing couplings, the cam and groove end is the first size given in the part number. (i.e., a 4030-B-AL is a 4" coupler to a 3" male NPT).

Type E



reducing male adapter x hose shank aluminum

male adapter x hose shank

Size	Aluminum Part #	316 Stainless Steel Part #
2" x 1½"	2015-E-AL ¹	2015-E-SS ¹
3" x 2"	---	3020-E-SS ¹
3" x 2½"	---	3025-E-SS
4" x 3"	4030-E-AL	4030-E-SS ¹
5" x 4"	5040-E-AL ¹	---

¹ Parts are produced as a welded fabrication.

Type C



reducing female coupler x hose shank stainless steel

- Couplers are supplied standard with a Buna-N gasket

female coupler x hose shank

Size	Aluminum Part #	316 Stainless Steel Part #
2" x 1½"	2015-C-AL ¹	2015-C-SS ¹
3" x 2"	3020-C-AL	3020-C-SS
3" x 2½"	---	3025-C-SS
3" x 4"	3040-C-AL	---
4" x 3"	4030-C-AL	4030-C-SS ¹
5" x 4"	5040-C-AL ¹	---

¹ Parts are produced as a welded fabrication.

Type F



reducing male adapter x male NPT aluminum

male adapter x male NPT

Size	Aluminum Part #	316 Stainless Steel Part #
1½" x 2"	1520-F-AL	---
2" x 1½"	2015-F-AL	2015-F-SS ¹
2" x 3"	2030-F-AL	---
3" x 1½"	3015-F-AL	3015-F-SS ¹
3" x 2"	3020-F-AL	3020-F-SS
3" x 4"	3040-F-AL	---
4" x 3"	4030-F-AL	4030-F-SS ¹

¹ Parts are produced as a welded fabrication.

Type B



reducing female coupler x male NPT stainless steel

- Couplers are supplied standard with a Buna-N gasket

female coupler x male NPT

Size	Aluminum Part #	316 Stainless Steel Part #
1½" x 1"	1510-B-AL	1510-B-SS ¹
2" x 1½"	2015-B-AL	2015-B-SS ¹
2" x 3"	2030-B-AL	---
3" x 2"	3020-B-AL	3020-B-SS ¹
3" x 4"	3040-B-AL	---
4" x 3"	4030-B-AL	4030-B-SS ¹

¹ Parts are produced as a welded fabrication.

Dixon Reducing Cam and Groove Couplings

In reducing cam and groove couplings, the coupler is the first size in the part number; (i.e., a 4030-DA-AL is a 4" coupler to a 3" adapter).

- Couplers are supplied standard with a Buna-N gasket,

coupler x adapter

Size	Aluminum Part #	316 Stainless Steel Part #
1" x 1½"	1015-DA-AL ¹	1015-DA-SS ¹
1½" x 1"	1510DAAL	1510-DA-SS ¹
1½" x 2"	1520-DA-AL	1520-DA-SS
2" x 1"	2010-DA-AL ¹	2010-DA-SS ¹
2" x 1½"	2015-DA-AL	2015-DA-SS
2" x 2½"	2025-DA-AL ¹	2025-DA-SS ¹
2" x 3"	2030-DA-AL	2030-DA-SS
2" x 4"	2040-DA-AL	2040-DA-SS ¹
2½" x 2"	---	2520-DA-SS ¹
2½" x 3"	---	2530-DA-SS ¹
3" x 1½"	3015-DA-AL	3015-DA-SS ¹
3" x 2"	3020-DA-AL	3020-DA-SS
3" x 2½"	3025-DA-AL ¹	3025-DA-SS ¹
3" x 4"	3040-DA-AL	3040-DA-SS
3" x 6"	3060-DA-AL ¹	3060-DA-SS ¹
4" x 2"	4020-DA-AL	4020-DA-SS ¹
4" x 2½"	4025-DA-AL	4025-DA-SS ¹
4" x 3"	4030-DA-AL	4030-DA-SS
4" x 5"	4050-DA-AL	---
4" x 6"	4060-DA-AL	4060-DA-SS ¹
5" x 3"	5030-DA-AL ¹	5030-DA-SS ¹
5" x 4"	5040-DA-AL	5040-DA-SS ¹
5" x 6"	5060-DA-AL ¹	5060-DA-SS
6" x 3"	6030-DA-AL	6030-DA-SS ¹
6" x 4"	6040-DA-AL	6040-DA-SS
6" x 5"	6050-DA-AL	6050-DA-SS ¹
8" x 6"	8060-DA-AL ^{1,2}	---

¹ Parts are produced as a welded fabrication.

² The 8" coupler has 4 cam arms and *does not interchange*.



3" coupler x 1½" adapter aluminum



4" coupler x 6" adapter aluminum



3" coupler x 2½" adapter aluminum



5" coupler x 6" adapter aluminum

Size	Brass Part #	Iron Part #
3" x 2"	3020-DA-BR	3020-DA-MI
3" x 4"	3040-DA-BR	---
4" x 3"	4030-DA-BR	4030-DA-MI
6" x 4"	6040-DA-BR	6040-DA-MI

Reducing Coupler x Adapter with Port

Size	Tap Size	316 Stainless Steel Part #
3" x 2"	¼"	3020DAT25SS
3" x 4"	3/8"	3020DAT38SS
4" x 3"	½"	3020DAT50SS
6" x 4"	¾"	3020DAT75SS



port on lug

Boss-Lock Reducing Cam and Groove Couplings

In reducing cam and groove couplings, the coupler is the first size in the part number; (i.e., a ADA4030 is a 4" coupler to a 3" adapter).

- Couplers are supplied standard with a Buna-N gasket

coupler x adapter



3" coupler x 2" adapter aluminum

Size	Aluminum Part #	316 Stainless Steel Part #
2" x 3"	ADA2030 ¹	RDA2030BL ¹
2½" x 2"	ADA2520 ¹	---
2½" x 3"	ADA2530 ¹	---
3" x 2"	ADA3020	RDA3020BL
3" x 4"	ADA3040 ¹	RDA3040BL ¹
4" x 2"	ADA4020 ¹	RDA4020BL ¹
4" x 3"	ADA4030	RDA4030BL
6" x 4"	ADA6040 ¹	---
8" x 6"	ADA8060 ^{1,2}	---

¹ Parts are produced as a welded fabrication.

² The 8" coupler *does not interchange with any other style.*

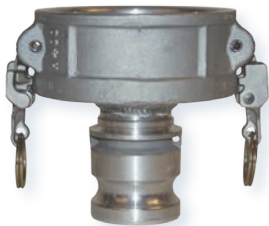


EZ Boss-Lock Reducing Cam and Groove Couplings

In reducing cam and groove couplings, the coupler is the first size in the part number; (i.e., a ADA4030EZ is a 4" coupler to a 3" adapter).

- Couplers are supplied standard with a Buna-N gasket

coupler x adapter



3" coupler x 2" adapter aluminum

Size	Aluminum Part #	316 Stainless Steel Part #
2" x 3"	ADA2030EZ ¹	RDA2030EZ ¹
3" x 2"	ADA3020EZ	RDA3020EZ
3" x 4"	ADA3040EZ ¹	RDA3040EZ ¹
4" x 2"	ADA4020EZ ¹	RDA4020EZ ¹
4" x 3"	ADA4030EZ	RDA4030EZ
6" x 4"	ADA6040EZ ¹	RDA6040EZ

¹ Parts are produced as a welded fabrication.



Dixon Lockable Dust Caps

- Couplers are supplied standard with a Buna-N gasket
- *Dust caps and dust plugs are not to be used in pressure applications for safety and environmental reasons.*



200DC-LAL aluminum

Size	Aluminum Part #	Brass Part #
1½"	150DC-LAL	150DC-LBR
2"	200DC-LAL	200DC-LBR
3"	300DC-LAL	300DC-LBR
4"	400DC-LAL	400DC-LBR
6"	600DC-LAL	---

- with angled, ergonomic thumb release



200DC-LSS stainless steel

Size	316 Stainless Steel Part #
1½"	150DC-LSS
2"	200DC-LSS
3"	300DC-LSS
4"	400DC-LSS

Dixon Spool Adapters

adapter x adapter

Size	Aluminum Part #	316 Stainless Steel Part #
1"	---	100-AA-SS
1¼"	---	125-AA-SS ¹
1½"	150-AA-AL	150-AA-SS
1½" x 2"	1520-AA-AL	1520-AA-SS
2"	200-AA-AL	200-AA-SS
2" x 3"	2030-AA-AL	2030-AA-SS
2" x 4"	2040-AA-AL	2040-AA-SS ¹
2½" x 3"	2530-AA-AL ¹	2530-AA-SS ¹
2½" x 4"	2540-AA-AL ¹	---
3"	300-AA-AL	300-AA-SS
3" x 4"	3040-AA-AL	3040-AA-SS ¹
4"	400-AA-AL	400-AA-SS
4" x 5"	4050-AA-AL	---
4" x 6"	4060-AA-AL	4060-AA-SS ¹
5"	500-AA-AL ¹	500-AA-SS ¹
5" x 6"	5060-AA-AL ¹	---
6"	600-AA-AL	600-AA-SS ¹

Size	Brass Part #
2"	200-AA-BR
3"	300-AA-BR



increaser / reducer
stainless steel



same size
aluminum

¹ Parts are produced as a welded fabrication **SAFETY ALERT**

Dixon Spool Couplers

¹ Couplers are supplied standard with a Buna-N gasket

coupler x coupler

Size	Aluminum Part #	316 Stainless Steel Part #
1½"	---	150-DD-SS ¹
2"	200-DD-AL	200-DD-SS
2" x 3"	2030-DD-AL	2030-DD-SS
3"	300-DD-AL	300-DD-SS
3" x 4"	3040-DD-AL	3040-DD-SS ¹
4"	400-DD-AL	400-DD-SS ¹
4" x 5"	4050-DD-AL ¹	4050-DD-SS ¹
4" x 6"	4060-DD-AL ¹	4060-DD-SS
5"	500-DD-AL ¹	500-DD-SS
6"	600-DD-AL ¹	600-DD-SS



increaser / reducer
aluminum



same size
aluminum

¹ Parts are produced as a welded fabrication **SAFETY ALERT**

Boss-Lock Spool Couplers

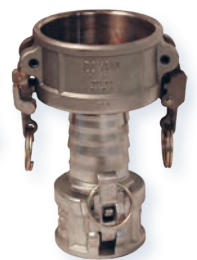
Couplers are supplied standard with a Buna-N gasket

coupler x coupler

Size	Aluminum Part #	Brass Part #
2"	ADD200 ¹	RDD200EZ
2" x 3"	ADD2030 ¹	RDD2030EZ ¹
3"	ADD300 ¹	RDD300EZ ¹
3" x 4"	ADD3040 ¹	RDD3040EZ ¹
4"	ADD400 ¹	RDD400EZ ¹
6"	---	RDD600EZ ¹



increaser / reducer
aluminum



same size
stainless steel

¹ Parts are produced as a welded fabrication **SAFETY ALERT**

Adapters and Couplers x 150# Flanged Drilling



adapter x 150# ASA flange
aluminum

Dixon adapter x 150# flange

Size	Aluminum Part #	Iron Part #	316 Stainless Steel Part #	Approx. Flange Thickness
1"	---	---	100-AL-SS	9/16"
1½"	---	---	150-AL-SS	11/16"
2"	200-AL-AL	---	200-AL-SS	7/16"
3"	300-AL-AL	300-AL-MI	300-AL-SS	7/16"
4"	400-AL-AL	---	400-AL-SS	7/16"
6"	600-AL-AL	---	600-AL-SS	5/8"
8"	800-AL-AL ¹	---	---	--

¹ Parts are produced as a welded fabrication.

- Couplers are supplied standard with a Buna-N gasket.



coupler x 150# ASA flange
stainless steel

Dixon coupler x 150# flange

Size	Aluminum Part #	316 Stainless Steel Part #	Approx. Flange Thickness
1"	---	100-DL-SS	5/8"
1½"	---	150-DL-SS	25/32"
2"	200-DL-AL	200-DL-SS	7/16"
3"	300-DL-AL	300-DL-SS	7/16"
4"	400-DL-AL	400-DL-SS	7/16"
6"	600-DL-AL	600-DL-SS	5/8"
8"	800-DL-AL ¹	---	--

¹ Parts are produced as a welded fabrication.

- Couplers are supplied standard with a Buna-N gasket.



EZ Boss-Lock coupler
x 150# ASA flange
stainless steel

EZ Boss-Lock coupler x 150# flange

Size	316 Stainless Steel Part #	Approx. Flange Thickness
1"	RDL100EZ ¹	9/16"
1½"	RDL150EZ ¹	11/16"
2"	RDL200EZ	7/16"
3"	RDL300EZ ¹	7/16"
4"	RDL400EZ ¹	7/16"
6"	RDL600EZ ¹	5/8"

¹ Parts are produced as a welded fabrication.

In-Line Sight Glass for Bulk Transfer



- Designed for dry bulk transfer hose. Includes aluminum bodies, Buna seals, acrylic sight glasses, stainless steel hardware and bronze cam arms (where applicable).
- Not intended for liquid service, for dry bulk transfer *only*.



coupler x adapter

Size	Part #
4" x 4"	3544CA
3" x 3"	3533CA
4" x 3"	3543CA
3" x 4"	3534CA

adapter x adapter

Size	Part #
3" x 3"	3533AA
4" x 4"	3544AA
3" x 4"	3534AA

coupler x coupler

Size	Part #
4" x 4"	3544CC
3" x 3"	3533CC
4" x 3"	3543CC

Specialty Items

coupler x adapter wye

Size	Aluminum Part #
2"	200YDAAAL



tank truck flanged tee

Size	Aluminum Part #
4"	400-TLT-AL



* Minimum production quantities may be required. Some parts have a colored anodized surface finish.

TTMA Series Flange Adapters

- provides a simple and easy way to quickly convert threaded components to a standard TTMA flange configuration
- more durable than welded fabrications due to the solid cast lightweight aluminum design
- design improves flow through adapter even on the 3" reducer
- compact size reduces the overall space needed to install

Male Threaded

TTMA flange x standard male NPT

TTMA Flange	Male NPT	Aluminum Part #
3"	3"	TTF3AL-3MT
4"	3"	TTF4AL-3MT
4"	4"	TTF4AL-4MT



TTMA flange x male NPT

Extended Length - Male Threaded

TTMA flange x extended length male NPT

TTMA Flange	Male NPT	Aluminum Part #
4"	3"	TTF4AL-3EMT
4"	4"	TTF4AL-4EMT

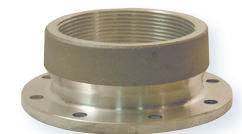


TTMA flange x male NPT
extended length

Female Threaded

TTMA flange x female NPT

TTMA Flange	Female NPT	Aluminum Part #
4"	3"	TTF4AL-3FT
4"	4"	TTF4AL-4FT



TTMA flange x female NPT

Slip-on

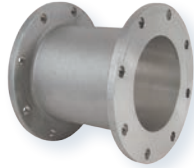
TTMA flange x socket weld

TTMA Flange	Pipe Size	Aluminum Part #
4"	4"	TTF400SP

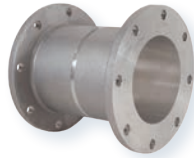


TTMA flange x socket weld

TTMA Flange Extensions



TETF4AL



TETFG4AL

Flange extensions are used on load arms to connect the API load coupler to the load arm.

- adds a 6" space between the load arm and the tank truck
- Flange extension with groove provides a specified parting point to prevent excessive damage to the loading arm.

Size	Description	Aluminum Part #
4"	TTMA flange extension	TETF4AL
4"	TTMA flange extension with groove	TETFG4AL

Dixon Adapters and Couplers x Round Tank Truck Flange



adapter x round tank truck flange
aluminum

adapter x round tank truck flange

Size	Aluminum Part #	316 Stainless Steel Part #
	3"	300-ALT-AL
3" x 4"	3040ALTAL	---
4"	400-ALT-AL	400-ALT-SS¹
6"	600-ALT-AL	---

¹ Parts are produced as a welded fabrication.

- Couplers are supplied standard with a Buna-N gasket.



coupler x round tank truck flange
aluminum

coupler x round tank truck flange

Size	Aluminum Part #
3"	300-DLT-AL
3" x 4"	3040DLTAL
4"	400-DLT-AL
6"	600-DLT-AL

Dixon 22½° Adapters and Couplers x Round Tank Truck Flange



22½° adapter x round flange

22½° adapter x round tank truck flange

Size	Aluminum Part #
4"	40022ALTAL

- Couplers are supplied standard with a Buna-N gasket.



22½° coupler x round flange

22½° coupler x round tank truck flange

Size	Aluminum Part #
4"	40022DLTAL

Round Tank Truck Flange Gaskets (TTMA)

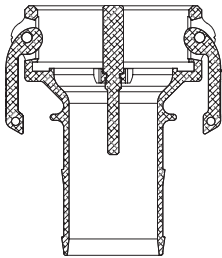


Size	OD	ID	THK	Material	Part #
3"	5-5/8"	3-½"	1/8"	Cork / Buna	300GTTFCB
3"	5-5/8"	3-½"	1/16"	PTFE envelope with Klinger filler	300GTTFTK
3"	5-5/8"	3-½"	1/8"	Klingersil® C-4401	300GTTFK
3"	5-7/8"	3-½"	¼"	PTFE with fiber core	40321TF
4"	6-5/8"	4-9/16"	1/8"	Cork / Buna	400GTTFCB
4"	6-5/8"	4-9/16"	1/16"	PTFE envelope with Klinger filler	400GTTFTK
4"	6-5/8"	4-9/16"	1/8"	Klingersil® C-4401	400GTTFK
4"	6-7/8"	4-9/16"	¼"	PTFE with fiber core	40322TF

Dixon Vapor Recovery Couplers

- Not intended for liquid service, for vapor recovery *only*.
- cast aluminum body
- bronze arms with stainless steel pins
- plated carbon steel finger rings
- Buna-N gasket

SAFETY ALERT

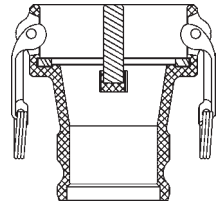


coupler with probe x hose shank

Coupler Size	Hose Shank Size	Aluminum Part #
4"	3"	4030-CVR-AL
4"	4"	400-CVR-AL



4030-CVR-AL

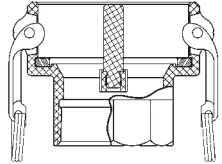


coupler with probe x adapter

Coupler Size	Adapter Size	Aluminum Part #
4"	3"	4030-DAVR-AL



4030-DAVR-AL

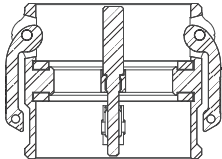


coupler with probe x female NPT

Coupler Size	Female NPT Size	Aluminum Part #
4"	3"	4030-DVR-AL
4"	4"	400-DVR-AL



4030-DVR-AL



coupler with probe x coupler with probe

Coupler Size	Coupler Size	Aluminum Part #
4"	4"	400-DDVR-AL

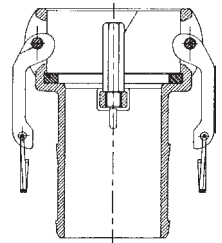


400-DDVR-AL

Dixon Bayco Vapor Recovery Couplers

- Not intended for liquid service, for vapor recovery *only*.
- *The Dixon replacement handle assemblies will not work on these fittings.*
- for use with 3" vapor hose
- cast aluminum body, bronze arms with stainless steel pins and finger rings
- Buna-N gasket

SAFETY ALERT



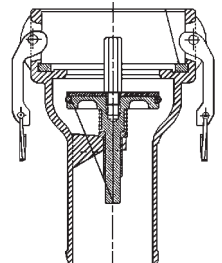
coupler with probe x hose shank

Coupler Size	Hose Shank Size	Aluminum Part #
3"	3"	VRC3000AL



VRC3000AL

- The VR4030CS-AL has a Viton® O-ring poppet seal.



coupler with poppet and probe x hose shank

Coupler Size	Hose Shank Size	Aluminum Part #
4"	3"	VR4030CS-AL ¹



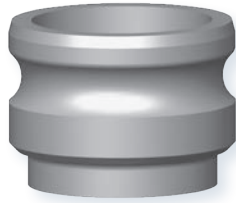
VR4030CS-AL

¹ Interchanges with all competitor vapor valves *except* Civacon #633LVH (special bulb design).

SAFETY ALERT

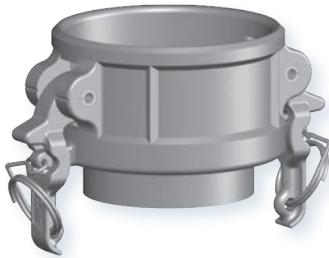
Dixon Butt Weld to Tube Cam and Groove

- 316 stainless steel investment casting
- designed to be butt welded to standard sanitary tubing
- Final weld preparation, as with all weld fittings, is the responsibility of the welder.



adapter x butt weld to tube end

Size	316 Stainless Steel Part #
1"	RE100BT
1½"	RE150BT
2"	RE200BT
3"	RE300BT



Boss-Lock coupler x butt weld to tube end

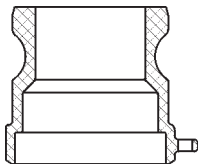
Size	316 Stainless Steel Part #
1"	RC100BT
1½"	RC150BT
2"	RC200BT
3"	RC300BT

Dixon Adapters for Welding

- not all configurations are stocked
- Line drawings are for reference only. Consult the factory for specific dimensions.
- Final weld preparation, as with all weld fittings, is the responsibility of the welder.

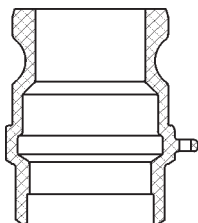


socket weld to schedule 40 pipe



Size	Bore	Aluminum Part #	316 Stainless Steel Part #
¾"	1.065	---	75AWSPSS
1"	1.330	---	100AWSPSS
1½"	1.915	150AWSPAL	150AWSPSS
2"	2.390	200AWSPAL	200AWSPSS
3"	3.530	300AWSPAL	300AWSPSS
4"	4.530	400AWSPAL	400AWSPSS
5"	5.593	500AWSPAL	500AWSPSS
6"	6.655	600AWSPAL	600AWSPSS
8" DIX	8.711	800AWSPAL ¹	---
8" BL	8.711	801AWSPAL ¹	---

butt weld to schedule 40 pipe / socket weld to nominal OD tubing



Size	Bore	Aluminum Part #	316 Stainless Steel Part #
¾"	.765	---	75AWBPSTSS
1"	1.015	---	100AWBPSTSS
1½"	1.515	150AWBPSTAL	150AWBPSTSS
2"	2.015	200AWBPSTAL	200AWBPSTSS
3"	3.015	300AWBPSTAL	300AWBPSTSS
4"	4.015	400AWBPSTAL	400AWBPSTSS
5"	5.015	500AWBPSTAL	500AWBPSTSS
6"	6.020	600AWBPSTAL	600AWBPSTSS
8" BL	8.035	801AWBPSTAL ¹	---

¹ Dixon and Boss-Lock cam and groove couplings do not interchange in the 8" size.



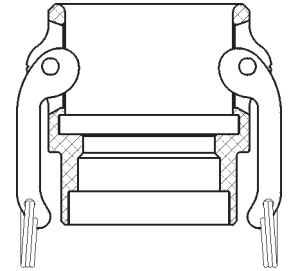
Dixon Couplers for Welding

- not all configurations are stocked
- Boss-Lock versions are also available. Consult the factory for pricing and availability.
- Line drawings are for reference only. Consult the factory for specific dimensions.
- Final weld preparation, as with all weld fittings, is the responsibility of the welder.

SAFETY
ALERT

socket weld to schedule 40 pipe

Size	Bore	Aluminum Part #	316 Stainless Steel Part #
¾"	1.070	---	75DWSPSS
1"	1.335	100DWSPAL	100DWSPSS
1½"	1.925	150DWSPAL	150DWSPSS
2"	2.400	200DWSPAL	200DWSPSS
3"	3.540	300DWSPAL	300DWSPSS
4"	4.530	400DWSPAL	400DWSPSS
5"	5.670	500DWSPAL	500DWSPSS
6"	6.695	600DWSPAL	600DWSPSS
8"	8.711	800DWSPAL ¹	---

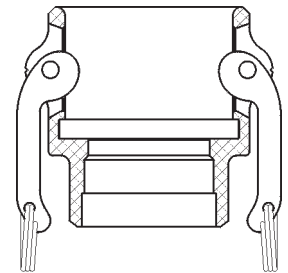


- ¹ Dixon and Boss-Lock cam and groove couplings *do not interchange in the 8" size*.
The 8" Dixon design has 4 cam arms.

SAFETY
ALERT

butt weld to schedule 40 pipe / socket weld to nominal OD tubing

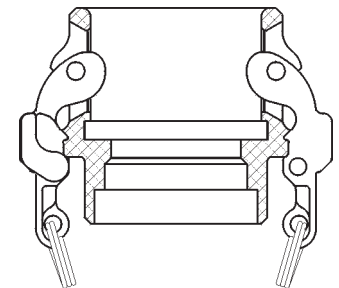
Size	Bore	Aluminum Part #	316 Stainless Steel Part #
¾"	.765	---	75DWBPSTSS
1"	1.015	---	100DWBPSTSS
1½"	1.515	150DWBPSTAL	150DWBPSTSS
2"	2.015	200DWBPSTAL	200DWBPSTSS
3"	3.015	300DWBPSTAL	300DWBPSTSS
4"	4.015	400DWBPSTAL	400DWBPSTSS
5"	5.015	500DWBPSTAL	---
6"	6.015	600DWBPSTAL	---



EZ Boss-Lock Couplers for Welding

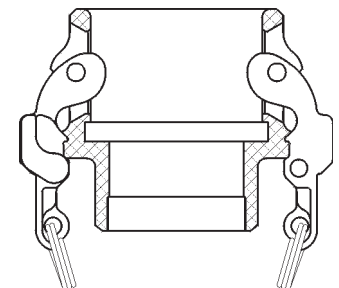
socket weld to schedule 40 pipe

Size	Bore	316 Stainless Steel Part #
¾"	1.070	RDWSP075EZ
1"	1.335	RDWSP100EZ
1½"	1.925	RDWSP150EZ
2"	2.400	RDWSP200EZ
3"	3.540	RDWSP300EZ
4"	4.550	RDWSP400EZ
6"	6.695	RDWSP600EZ



butt weld to schedule 40 pipe / socket weld to nominal OD tubing

Size	Bore	316 Stainless Steel Part #
¾"	.765	RDWBPST075EZ
1"	1.015	RDWBPST100EZ
1½"	1.515	RDWBPST150EZ
2"	2.015	RDWBPST200EZ
3"	3.015	RDWBPST300EZ
4"	4.015	RDWBPST400EZ
6"	6.015	RDWBPST600EZ



Dixon Standard Handle Assemblies

- Stainless steel pins are standard with all assemblies.
- roll pins are 302 stainless and solid pins are 303 stainless
- Pull rings are standard on sizes 1¼" thru 6". Pull rings are optional on other sizes.



Coupler Size	Description	Brass Part #	316 Sintered Stainless Steel Part #	316 Investment Stainless Steel Part #
½"	cam arm and pin	---	50-HP-SP	---
¾"	cam arm and pin	---	75-HP-SP	---
1"	cam arm and pin	---	100-HP-SP	---
1¼" - 2½"	cam arm, ring and pin	200-HRP-BR	200-HRP-SP	---
2"	cam arm, ring and pin	---	---	200-HSCRPI-SI
3"	cam arm, ring and pin	---	---	300-HSCRPI-SI
3" - 5"	cam arm, ring and pin	300-HRP-BR	300-HRP-SP	---
3" - 5"	cam arm, ring and short (1½") pin	300-HR325P-BR	300-HR325P-SP	300-HR325P-SI
6"	cam arm, ring and pin	600-HRP-BR	---	600-HRP-SI
8"	cam arm and pin for new coupler design	800-HNP-BR	---	---

Locking Handle for Dixon Dust Caps



- not supplied with pins

Coupler Size	Hole Diameter	Brass Part #
2"	9/32"	200-LH-BR
3"	5/16"	300-LH-BR
4"	3/8"	400-LH-BR

Paddle Handle for Dixon Couplings



- not supplied with pins

Coupler Size	Brass Part #
3" and 4"	300H-PADBR



Coupler Size	316 Investment Cast Stainless Steel Part #
3" and 4"	300H-PADSS

Boss-Lock Standard Handle Assemblies

assembly includes cam arm, pin and pull ring safety clip



Coupler Size	Brass Part #	316 Investment Cast Stainless Steel Part #	Plated Iron Part #
¾" - 1"	BHSC175	RHSC175	---
1¼" - 2½"	BHSC152	RHSC152	IHSC152
3" and 4"	BHSC34	RHSC34	IHSC34



assembly includes cam arm, pin and pull ring

Coupler Size	Brass Part #	Plated Iron Part #
6" and 8"	BH6	IH6

EZ Boss-Lock Handles

- investment cast stainless steel cam arm and lever
- 316 stainless steel spring
- stainless steel pin, washer, plated carbon steel pull ring

Coupler Size	316 Stainless Steel Part #
¾" - 1"	RHEZ175
1¼" - 2½"	RHEZ152
3" and 4"	RHEZ34
6" and 8"	RHEZ6



SAFETY ALERT Under no circumstances should the EZ Boss-Lock cam arms be used on any fitting not specifically produced for their use. The aluminum, brass and iron are made from sand castings. To ensure proper functioning of the EZ Boss-Lock cam arm assemblies, we sort the castings to ensure there is sufficient length and orientation on the lugs on the main casting to engage the lever. We also buff or grind the rougher sand cast surface to ensure that the lever will move freely. The EZ Boss-Lock cam arms cannot be retrofitted onto existing aluminum, brass or plated iron Boss-Lock already in service.

Bayco Replacement Handle Assemblies

for Bayco couplers only

- brass cam arm
- carbon steel ring
- stainless steel pin

Coupler Size	Part #
1¼" - 2½"	CARP12BZ
3" - 5"	CARP34BZ
6"	CARP60BZ
8"	CARP80BZ



Pull Ring Safety Clips for Boss-Lock Couplings

Coupler Size	Carbon Steel	316 Stainless Steel
	Part #	Part #
¾" - 1"	---	100PRSCSS
1¼" - 2½"	200PRSCCS	200PRSCSS
3" and 4"	300PRSCCS	300PRSCSS



Stainless Steel Pull Ring

304 Stainless Steel Part #
R200SS



Clips and Lanyards for Boss-Lock Couplings

- carbon steel clip
- nylon lanyard

Coupler Size	Part #
¾" - 1"	ACL4
1¼" - 4"	ACL2



- carbon steel clip
- no lanyard supplied with this clip

Coupler Size	Part #
6"	ACL3



Carbon Steel Clip Assembly



- for use with Boss-Lock couplings
- includes a pull ring, chain and AC3 clip

Part #

BLCA152CS

Clip for Boss-Lock Couplings



- .072 stainless steel wire

Stainless Steel

Part #

AC7

Lanyard for Boss-Lock Couplings



- breaking strength: 160 lbs.
- overall length: 7" eye to eye

304 Stainless

Part #

LR7

Jack Chains with S-Hooks



Length	Material	Part #	Opt Qty
6"	brass	CH-B-6	10
12"	brass	CH-B-12	10
24"	brass	CH-B-24	--
12"	carbon steel	CH-C-12	10
6"	stainless	CH-SS-6	10
12"	stainless	CH-SS-12	10
24"	stainless	CH-SS-24	10

Sash Chains with Pull Rings



- brass chain, plated steel pull ring

Length	Part #
4½"	J125
6½"	J150
8½"	J300
12¾"	J500

PVC Coated Lanyards



- PVC coated carbon steel with aluminum crimp sleeves
- one end factory crimped, one end uncrimped for field installation

Length	Part #
15"	CAL15
25"	CAL25

Hand Swager with Cutter

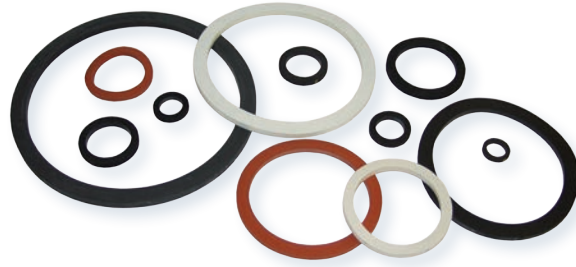


- for 1/16", 3/32" and 1/8" wire rope
- designed for crimping aluminum oval sleeves
- jaws are made of forged alloy steel
- provides a clean, sharp cut on wire rope

Part #

22-ST14C

Cam and Groove Gaskets



- White neoprene and white Buna-N gaskets all contain FDA approved materials.

Size	Buna-N Part #	Viton®-A Part #	extra thick Buna-N Part #	Ethylene Propylene Part #
½"	50-G-BU	50-G-VI	---	---
¾"	75-G-BU	75-G-VI	---	75-G-EPR
1"	100-G-BU	100-G-VI	100GTHK	100-G-EPR
1¼"	125-G-BU	125-G-VI	125GTHK	125-G-EPR
1½"	150-G-BU	150-G-VI	150GTHK	150-G-EPR
2"	200-G-BU	200-G-VI	200GTHK	200-G-EPR
2½"	250-G-BU	250-G-VI	250GTHK	250-G-EPR
3"	300-G-BU	300-G-VI	300GTHK	300-G-EPR
4"	400-G-BU	400-G-VI	400GTHK	400-G-EPR
5"	500-G-BU	500-G-VI	---	---
6"	600-G-BU	600-G-VI	---	---
8"	800-G-BU	800-G-VI	---	---

Size	Neoprene Part #	white Neoprene Part #	white Buna-N Part #	Silicone Part #
½"	---	---	---	---
¾"	75-G-NE	---	---	---
1"	100-G-NE	---	---	---
1¼"	125-G-NE	---	---	---
1½"	150-G-NE	150-G-WNE	---	150-G-SIL
2"	200-G-NE	200-G-WNE	---	200-G-SIL
2½"	250-G-NE	---	---	---
3"	300-G-NE	300-G-WNE	300-G-WB	300-G-SIL
4"	400-G-NE	400-G-WNE	400-G-WB	400-G-SIL
5"	---	500-G-WNE	---	---
6"	---	600-G-WNE	---	---
8"	---	---	---	---

Cam and Groove Fuel Gaskets

Size	Part #	Material
3"	300-G-BF	Buna
4"	400-G-BF	Buna
4"	400GTHKBF	extra thick Buna-N



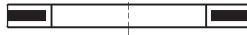
PTFE Cam and Groove Gaskets

The torque (force) required to close the handles on a pair of cam and groove fittings will vary according to the gasket chosen. Due to the nature of the PTFE material, the various PTFE gasket designs will require the most torque, increasing as you go from envelope to encapsulated, and finally, accordion.

- PTFE white Buna filler (TFWB) and PTFE encapsulated silicone (TES) all contain FDA approved materials.
- PTFE accordion gaskets (TFACC) are recommended for use with viscous (thick) fluids only.
- Encapsulated gasket pressure ratings are reduced to **125 PSI** for ¾" - 4" at ambient temperature (**70°F**)
- PTFE encapsulated Viton® (TEV) gaskets - maximum operating temperature **200°F**
- PTFE encapsulated silicone gaskets (TES) gaskets - maximum operating temperature **225°F**
- *Maximum operating temperatures for specific chemicals may be lower.* Contact Dixon for specific recommendations.



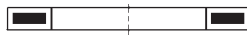
Envelope



Envelope

Size	PTFE with Buna filler Part #	PTFE with Viton® filler Part #	PTFE with white Buna filler Part #	PTFE with Ethylene Propylene filler Part #
½"	50-G-TF	50-G-TF-VI	---	---
¾"	75-G-TF	75-G-TF-VI	---	---
1"	100-G-TF	100GTFVI	---	---
1¼"	125-G-TF	125GTFVI	---	---
1½"	150-G-TF	150GTFVI	---	150GTFEP
2"	200-G-TF	200GTFVI	200GTFWB	200GTFEP
2½"	250-G-TF	250GTFVI	---	---
3"	300-G-TF	300GTFVI	300GTFWB	300GTFEP
4"	400-G-TF	400GTFVI	400GTFWB	---
5"	---	---	500GTFWB	---
6"	600-G-TF	600GTFVI	---	---

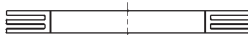
Encapsulated



Encapsulated

Size	PTFE encapsulated silicone Part #	PTFE encapsulated Viton® Part #
½"	---	---
¾"	75-G-TES	75-G-TEV
1"	100-G-TES	100-G-TEV
1¼"	125-G-TES	125-G-TEV
1½"	150-G-TES	150-G-TEV
2"	200-G-TES	200-G-TEV
2½"	250-G-TES	250-G-TEV
3"	300-G-TES	300-G-TEV
4"	400-G-TES	400-G-TEV
5"	---	---
6"	---	---

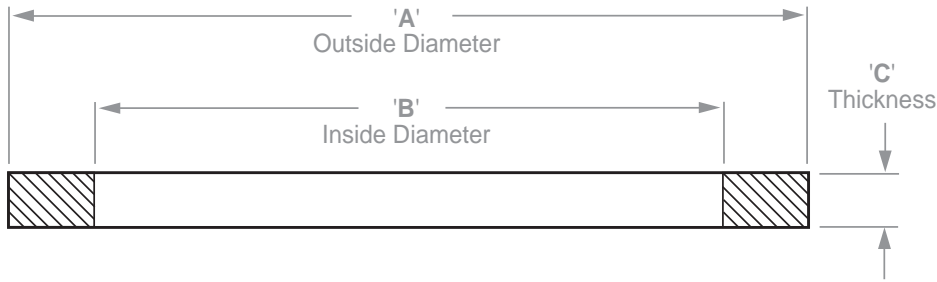
Accordion



Accordion

Size	PTFE accordion Part #
½"	---
¾"	75GTFACC
1"	100GTFACC
1¼"	125GTFACC
1½"	150GTFACC
2"	200GTFACC
2½"	---
3"	300GTFACC
4"	---
5"	---
6"	---

Dixon Cam and Groove Gasket Dimensions



- The following are the nominal dimensions for Dixon's elastomeric cam and groove gaskets.
- The ID's of the PTFE envelope gaskets and the PTFE accordion gaskets are *1/16" smaller than* the ID's for the elastomeric gaskets shown below.
- Thickness of PTFE accordion gaskets may vary from chart below.

Size	Part #	'A'	'B'	'C'
1/2"	50-G¹	1-1/32"	11/16"	.156"
3/4"	75-G	1-3/8"	7/8"	.218"
1"	100-G	1-9/16"	1-1/16"	.250"
1 1/4"	125-G	1-15/16"	1-23/64"	.250"
1 1/2"	150-G	2-3/16"	1-5/8"	.250"
2"	200-G	2-5/8"	2"	.250"
2 1/2"	250-G	3-1/8"	2-3/8"	.250"
3"	300-G	3-23/32"	3"	.250"
4"	400-G	4-7/8"	4"	.250"
5"	500-G	5-15/16"	4-7/8"	.250"
6"	600-G	7-1/16"	6"	.250"
8"	800-G¹	9-5/16"	8-1/8"	.343"

¹ No interchange standard exists for the 1/2" and 8" fittings. Generally, these sizes do not interchange with other manufacturer's products. As such, the gaskets in these sizes are not suitable for use in other manufacturers' couplings.



Dixon Cam and Groove Gasket Color Codes

Gasket Code	Gasket Material	Material Color	Color code stripes (appear on the OD of the gasket or filler)
-BU	Buna-N (<i>standard in all metal fittings</i>)	black	1 blue
-BF	Buna (<i>formulated for fuel service</i>)	black	1 green
-VI	Viton®	black	1 yellow
-THK	Extra Thick Buna	black	2 blue
-EPR	Ethylene Propylene	black	1 white
-NE	Neoprene	black	1 red
-WNE	White Neoprene, <i>FDA approved material</i>	white	none
-WB	White Buna N, <i>FDA approved material</i>	white	blue
-SIL	Silicone	red	none
-TF	PTFE (TFE) Envelope with Buna-N filler	white / black	1 blue
TFVI	PTFE (TFE) Envelope with Viton® filler	white / black	1 yellow
TFWB	PTFE (TFE) Envelope with White Buna-N filler, <i>FDA approved materials</i>	white / white	blue
TFEP	PTFE (TFE) Envelope with Ethylene Propylene filler	white / black	1 white stripe
-TES	PTFE (FEP) Encapsulated Silicone core, <i>FDA approved materials</i>	translucent / red	none
-TEV	PTFE (FEP) Encapsulated Viton® core	translucent / black	none
TFACC	PTFE (TFE) Accordion, <i>FDA approved materials</i>	white	none



Since other manufacturer's coding systems vary, this chart should not be used as a reference in identifying gaskets of unknown origin.

Dixon is recognized as the premier manufacturer and supplier of hose fittings and accessories spanning a wide range of industrial uses. Dixon's range includes products for food, dairy processing, beverage and brewery, mobile tankers, mining, construction, chemical processing, petroleum, oilfields, refining and manufacturing.

dixonvalve.com • *Customer Service:* **877.963.4966**



The Right Connection™

Dixon Valve

800 High Street, Chestertown, MD 21620

Fax: 800.283.4966